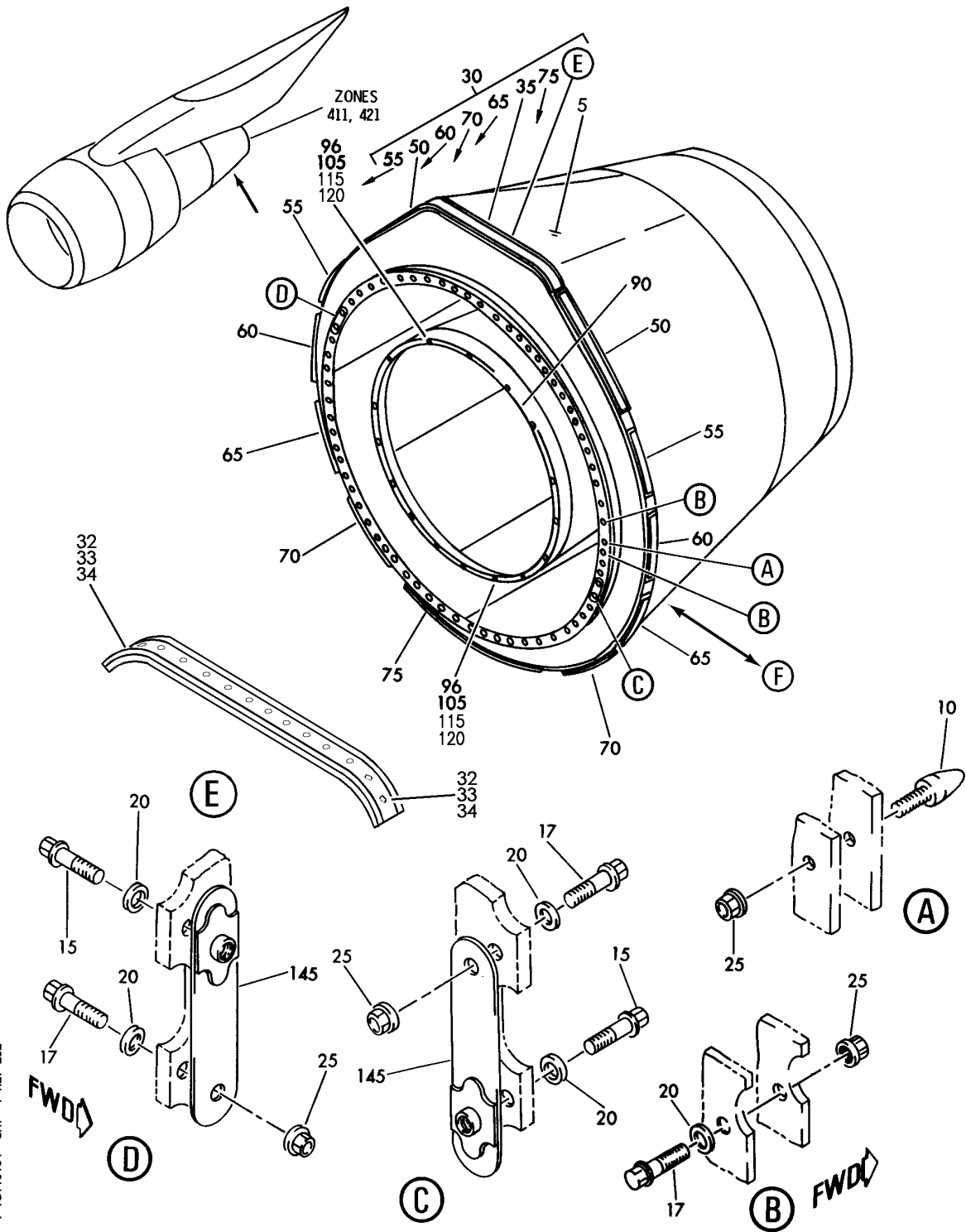


TURBINE EXHAUST SYSTEM

HXL
DEC 22/06

78-11-00
SECTION TITLE
PAGE 1

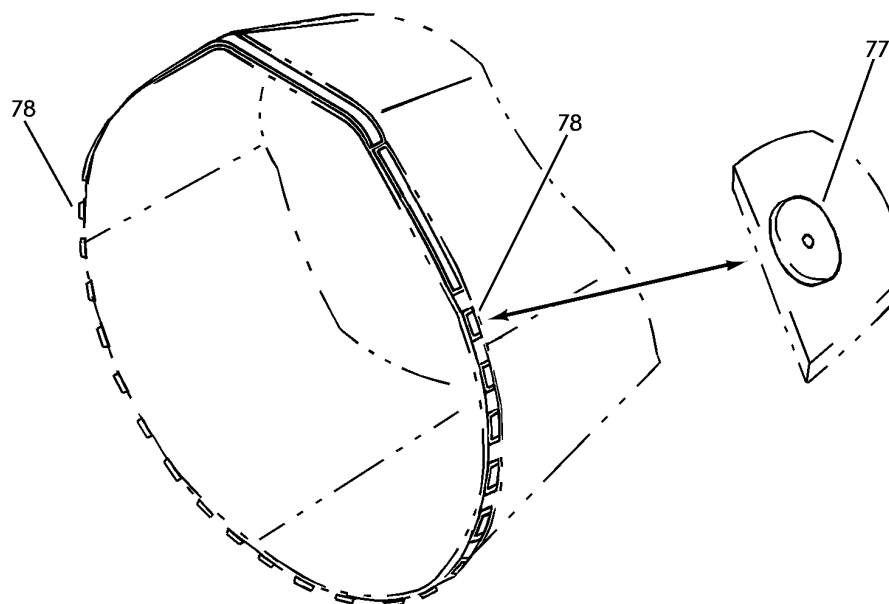
BOEING
767
PARTS CATALOG (MAINTENANCE)



EXHAUST INSTL-PRIMARY
FIGURE 4 (SHEET 1)

78-11-01-04

BOEING
767
PARTS CATALOG (MAINTENANCE)



(F)

V 78110104 SHT 2 REV 233

EXHAUST INSTL-PRIMARY
FIGURE 4 (SHEET 2)

78-11-01-04

HXL
DEC 22/06

78-11-01-04
PAGE 0A



767

PARTS CATALOG (MAINTENANCE)

FIG ITEM	PART NUMBER	1 2 3 4 5 6 7	NOMENCLATURE	EFFECT FROM TO	UNITS PER ASSY
4			EXHAUST INSTL-PRIMARY		
- 1	333T4000-1		EXHAUST INSTL-PRIMARY FOR NHA SEE: 71-00-51-02		RF
5	314T3310-3		.SLEEVE ASSY- COMPONENT MAINT MANUAL REF: 78-11-06		1
5	314T3310-5		.SLEEVE ASSY- COMPONENT MAINT MANUAL REF: 78-11-06		1
5	314T3310-7		.SLEEVE ASSY- COMPONENT MAINT MANUAL REF: 78-11-06		1
5	314T3310-9		.SLEEVE ASSY- COMPONENT MAINT MANUAL REF: 78-11-06		1
5	314T3310-10		.SLEEVE ASSY-		1
5	314T3310-1		.SLEEVE ASSY- COMPONENT MAINT MANUAL REF: 78-11-06		1
			ATTACHING PARTS		
10	69B97200-3		.PIN		1
15	BACB30PN4-6		.BOLT		2
17	BACB30PN4-5		.BOLT		66
20	NAS1587-4C		.WASHER		68
25	TLN1001C4		.NUT-		67
			SUPPLIER CODE: V97928		
			SPECIFICATION NUMBER: BACN10HY4A		
			OPTIONAL PART: TLN1001C4		
			V92215		
			101LH9073-4		
			V72962		
			69233C4S		
			V56878		
			HW29873-4		
			V15653		
ILLUSTRATION ITEMS NOT ON PARTS LIST ARE NOT APPLICABLE					

- ITEM NOT ILLUSTRATED

HXL

78-11-01-04

BOEING PROPRIETARY - Copyright © - Unpublished Work - See title page for details.

78-11-01
FIG. 04
PAGE 1
DEC 22/06

BOEING
767
PARTS CATALOG (MAINTENANCE)

FIG ITEM	PART NUMBER	1 2 3 4 5 6 7	NOMENCLATURE	EFFECT FROM TO	UNITS PER ASSY	
R R R R R R R R R R R R R R R R R	4 25	BH00304-4	.NUT- SUPPLIER CODE: V27238 SPECIFICATION NUMBER: BACN10HR4C OPTIONAL PART: H97-4 V15653 101LH9031-4 V72962 67832A428 V56878 BMN5024C4 V97928 SL7060C428 V11815 H974 V15653 SL70604 V11815 VAL280024 V06710 101LH90314 V72962 BMN10HRC4 V97928 67832A4 V56878 CR5907-4 VF0224		67	
	30	314T3314-34	-----*----- ..SLEEVE ASSY-TURB EXH SYS POSITION DATA: OUTER USED ON: 314T3310-3		1	
	30	314T3314-41	..SLEEVE ASSY-TURB EXH SYS OUTER USED ON: 314T3310-5		1	
	30	314T3314-59	..SLEEVE ASSY-TURB EXH SYS OUTER USED ON: 314T3310-7		1	
	30	314T3314-62	..SLEEVE ASSY-TURB EXH SYS OUTER USED ON: 314T3310-9 314T3310-10		1	
	ILLUSTRATION ITEMS NOT ON PARTS LIST ARE NOT APPLICABLE					

— ITEM NOT ILLUSTRATED

HXL

78-11-01-04

BOEING PROPRIETARY - Copyright © - Unpublished Work - See title page for details.

78-11-01
FIG. 04
PAGE 2
AUG 22/09

 **BOEING**
767
PARTS CATALOG (MAINTENANCE)

FIG ITEM	PART NUMBER	1 2 3 4 5 6 7	NOMENCLATURE	EFFECT FROM TO	UNITS PER ASSY
4	30 314T3314-1		..SLEEVE ASSY-TURB EXH SYS OUTER OPTIONAL PART: 314T3314-18 USED ON: 314T3310-1		1
	30 314T3314-18		..SLEEVE ASSY-TURB EXH SYS OUTER OPTIONAL PART: 314T3314-1 USED ON: 314T3310-1		1
-	31 314T3314-60		...SUB KIT ASSY- OPTIONAL PART: 314T3314-61 USED ON: 314T3314-59 314T3314-62		1
-	31 314T3314-61		...SUB KIT ASSY- OPTIONAL PART: 314T3314-60 USED ON: 314T3314-59 314T3314-62		1
	32 CR2839-4-5	RIVET- SUPPLIER CODE: V11815 USED ON: 314T3314-61		14
	32 NAS1198-4-8	RIVET- USED ON: 314T3314-60		14
	33 TRE9104C4R274	INSERT- SUPPLIER CODE: V92526 USED ON: 314T3314-60		14
	34 TRE9401C4-040	WASHER- SUPPLIER CODE: V92526 USED ON: 314T3314-61		14
	35 314T3316-5		...MEMBER-SEAL OPTIONAL PART: 314T3316-9		1
	35 314T3316-9		...MEMBER-SEAL OPTIONAL PART: 314T3316-5		1

ILLUSTRATION ITEMS NOT ON PARTS LIST ARE NOT APPLICABLE

- ITEM NOT ILLUSTRATED

HXL

78-11-01-04

BOEING PROPRIETARY - Copyright © - Unpublished Work - See title page for details.

78-11-01
FIG. 04
PAGE 3
AUG 22/09



767

PARTS CATALOG (MAINTENANCE)

FIG ITEM	PART NUMBER	1 2 3 4 5 6 7	NOMENCLATURE	EFFECT FROM TO	UNITS PER ASSY
4			ATTACHING PARTS		
- 40	CR2839-4-5		...RIVET- SUPPLIER CODE: V11815 QUALIFIED OPTIONAL DATA: (OPT NAS1198-4-8 USED WITH TRE9104C4R274 (V92526)) USED ON: 314T3314-34 314T3314-41 314T3314-1 314T3314-18 USED WITH: TRE9401C4-040		14
- 40	NAS1198-4-8		...RIVET- QUALIFIED OPTIONAL DATA: (OPT CR2839-4-5 (V11815) USED WITH TRE9401C4-040 (V92526)) USED ON: 314T3314-34 314T3314-41 314T3314-1 314T3314-18 USED WITH: TRE9104C4R274		14
- 45	TRE9104C4R274		...INSERT- SUPPLIER CODE: V92526 QUALIFIED OPTIONAL DATA: (OPT TRE9401C4-040 (V92526) USED WITH CR2839-4-5 (V11815)) USED ON: 314T3314-34 314T3314-41 314T3314-1 314T3314-18 USED WITH: NAS1198-4-8		14

ILLUSTRATION ITEMS NOT ON PARTS LIST ARE NOT APPLICABLE

- ITEM NOT ILLUSTRATED

HXL

78-11-01-04

BOEING PROPRIETARY - Copyright © - Unpublished Work - See title page for details.

78-11-01
FIG. 04
PAGE 4
AUG 22/09



767

PARTS CATALOG (MAINTENANCE)

FIG ITEM	PART NUMBER	1 2 3 4 5 6 7	NOMENCLATURE	EFFECT FROM TO	UNITS PER ASSY
4 - 45	TRE9401C4-040		<p>...WASHER- SUPPLIER CODE: V92526 QUALIFIED OPTIONAL DATA: (OPT TRE9104C4R274 (V92526) USED WITH NAS1198-4-8) USED ON: 314T3314-34 314T3314-41 314T3314-1 314T3314-18 USED WITH: CR2839-4-5 -----*-----</p>		14
50	314T3314-35		<p>...STRIP-RUB USED ON: 314T3314-34 314T3314-41 314T3314-59 314T3314-62</p>		2
50	314T3314-30		<p>...STRIP-RUB QUALIFIED I/W DATA: (2) 314T3314-32 CAN REPLACE OR BE REPLACED BY (2) 314T3314-30 BY SHIPSET ONLY AND NOT INTERMIXABLE. OPTIONAL PART: 314T3314-32 USED ON: 314T3314-1 314T3314-18</p>		2
50	314T3314-32		<p>...STRIP-RUB QUALIFIED I/W DATA: (2) 314T3314-32 CAN REPLACE OR BE REPLACED BY (2) 314T3314-30 BY SHIPSET ONLY AND NOT INTERMIXABLE. OPTIONAL PART: 314T3314-30 USED ON: 314T3314-1 314T3314-18</p>		2

ILLUSTRATION ITEMS NOT ON PARTS LIST ARE NOT APPLICABLE

- ITEM NOT ILLUSTRATED

HXL

78-11-01-04

BOEING PROPRIETARY - Copyright © - Unpublished Work - See title page for details.

78-11-01
 FIG. 04
 PAGE 5
 DEC 22/06



767

PARTS CATALOG (MAINTENANCE)

FIG ITEM	PART NUMBER	1 2 3 4 5 6 7	NOMENCLATURE	EFFECT FROM TO	UNITS PER ASSY
4					
55	314T3314-37	...	PAD-RUB USED ON: 314T3314-34 314T3314-41 314T3314-59		2
60	314T3314-38	...	PAD-RUB USED ON: 314T3314-34 314T3314-41 314T3314-59		2
65	314T3314-39	...	PAD-RUB USED ON: 314T3314-34 314T3314-41 314T3314-59		2
70	314T3314-40	...	PAD-RUB USED ON: 314T3314-34 314T3314-41 314T3314-59		2
72	314T3314-40	...	PAD-RUB USED ON: 314T3314-62		8
75	314T3314-36	...	PAD-RUB USED ON: 314T3314-34 314T3314-41 314T3314-59 314T3314-62		1
77	314T3314-17	...	PAD-RUB OPTIONAL PART: 314T3315-18 USED ON: 314T3314-1 314T3314-18		20
78	314T3315-18	...	PAD-RUB OPTIONAL PART: 314T3314-17 USED ON: 314T3314-1 314T3314-18		20

ILLUSTRATION ITEMS NOT ON PARTS LIST ARE NOT APPLICABLE

- ITEM NOT ILLUSTRATED

HXL

78-11-01-04

BOEING PROPRIETARY - Copyright © - Unpublished Work - See title page for details.

78-11-01
FIG. 04
PAGE 6
DEC 22/06



767

PARTS CATALOG (MAINTENANCE)

FIG ITEM	PART NUMBER	1 2 3 4 5 6 7	NOMENCLATURE	EFFECT FROM TO	UNITS PER ASSY
4			ATTACHING PARTS		
- 80	CR3552-4-6		...RIVET- SUPPLIER CODE: V05693 USED ON: 314T3314-34 314T3314-41 314T3314-59 314T3314-62		55
- 81	CR3552-4-6		...RIVET- SUPPLIER CODE: V05693 QUALIFIED OPTIONAL DATA: 122578-4-8 (QTY 40) PLUS TRE9104C4R274 (QTY 40) WITH -17 PAD OPTIONAL TO CRE3552-4-6 (QTY 40) PLUS TRE9401C4-040 (QTY 40) WITH -17 PAD USED WITH: 314T3314-17		40
- 82	CR3552-4-6		...RIVET- SUPPLIER CODE: V05693 USED WITH: 314T3315-18		20
- 83	CR3552-4-6		...RIVET- SUPPLIER CODE: V05693 USED WITH: 314T3314-30 314T3314-32		24
- 84	122578-4-8		...RIVET- SUPPLIER CODE: V80539 QUALIFIED OPTIONAL DATA: 122578-4-8 (QTY 40) PLUS TRE9104C4R274 (QTY 40) WITH -17 PAD OPTIONAL TO CRE3552-4-6 (QTY 40) PLUS TRE9401C4-040 (QTY 40) WITH -17 PAD USED WITH: 314T3314-17		40

ILLUSTRATION ITEMS NOT ON PARTS LIST ARE NOT APPLICABLE

- ITEM NOT ILLUSTRATED

HXL

78-11-01-04

BOEING PROPRIETARY - Copyright © - Unpublished Work - See title page for details.

78-11-01
FIG. 04
PAGE 7
DEC 22/06



767

PARTS CATALOG (MAINTENANCE)

FIG ITEM	PART NUMBER	1 2 3 4 5 6 7	NOMENCLATURE	EFFECT FROM TO	UNITS PER ASSY
4					
- 85	TRE9401C4-040	...	WASHER- SUPPLIER CODE: V92526 USED ON: 314T3314-34 314T3314-41 314T3314-59 314T3314-62		55
- 86	TRE9401C4-040	...	WASHER- SUPPLIER CODE: V92526 QUALIFIED OPTIONAL DATA: 122578-4-8 (QTY 40) PLUS TRE9104C4R274 (QTY 40) WITH -17 PAD OPTIONAL TO CRE3552-4-6 (QTY 40) PLUS TRE9401C4-040 (QTY 40) WITH -17 PAD USED WITH: 314T3314-17		40
- 87	TRE9401C4-040	...	WASHER- SUPPLIER CODE: V92526 USED WITH: 314T3315-18		20
- 88	TRE9401C4-040	...	WASHER- SUPPLIER CODE: V92526 USED WITH: 314T3314-30 314T3314-32		24
- 89	TRE9104C4R274	...	INSERT- SUPPLIER CODE: V92526 QUALIFIED OPTIONAL DATA: 122578-4-8 (QTY 40) PLUS TRE9104C4R274 (QTY 40) WITH -17 PAD OPTIONAL TO CRE3552-4-6 (QTY 40) PLUS TRE9401C4-040 (QTY 40) WITH -17 PAD USED WITH: 314T3314-17		40
90	314T4320-11		-----*----- .PLUG ASSY-REWORK COMPONENT MAINT MANUAL REF: 78-11-15		1

ILLUSTRATION ITEMS NOT ON PARTS LIST ARE NOT APPLICABLE

- ITEM NOT ILLUSTRATED

HXL

78-11-01-04

BOEING PROPRIETARY - Copyright © - Unpublished Work - See title page for details.

78-11-01
FIG. 04
PAGE 8
DEC 22/06



767

PARTS CATALOG (MAINTENANCE)

FIG ITEM	PART NUMBER	1 2 3 4 5 6 7	NOMENCLATURE	EFFECT FROM TO	UNITS PER ASSY
4					
90	314T4320-13		.PLUG ASSY- COMPONENT MAINT MANUAL REF: 78-11-15		1
90	314T4320-19		.PLUG ASSY- COMPONENT MAINT MANUAL REF: 78-11-15		1
96	BACB30PN4-6		ATTACHING PARTS .BOLT- QUALIFIED OPTIONAL DATA: (BACB30PN4-6 AND NAS1487-4C OPTIONAL TO VAL22019-4)		16
96	VAL22019-4		.BOLT ASSY-PLUG ATTACH SUPPLIER CODE: V06710 QUALIFIED OPTIONAL DATA: (BACB30PN4-6 AND NAS1487-4C OPTIONAL TO VAL22019-4)		16
105	NAS1587-4C		.WASHER- QUALIFIED OPTIONAL DATA: (BACB30PN4-6 AND NAS1487-4C OPTIONAL TO VAL22019-4)		16
115	BACB30PN4-7		.BOLT- QUALIFIED OPTIONAL DATA: (BACB30PN4-7 WITH NAS1487-4C OPTIONAL TO VAL22019-4)		16
115	VAL22019-4		.BOLT ASSY-PLUG ATTACH SUPPLIER CODE: V06710 QUALIFIED OPTIONAL DATA: (BACB30PN4-7 WITH NAS1487-4C OPTIONAL TO VAL22019-4)		16
120	NAS1587-4C		.WASHER- QUALIFIED OPTIONAL DATA: (BACB30PN4-7 WITH NAS1487-4C OPTIONAL TO VAL22019-4)		16
145	333T4000-2		-----*----- .BRACKET ASSY		2

ILLUSTRATION ITEMS NOT ON PARTS LIST ARE NOT APPLICABLE

- ITEM NOT ILLUSTRATED

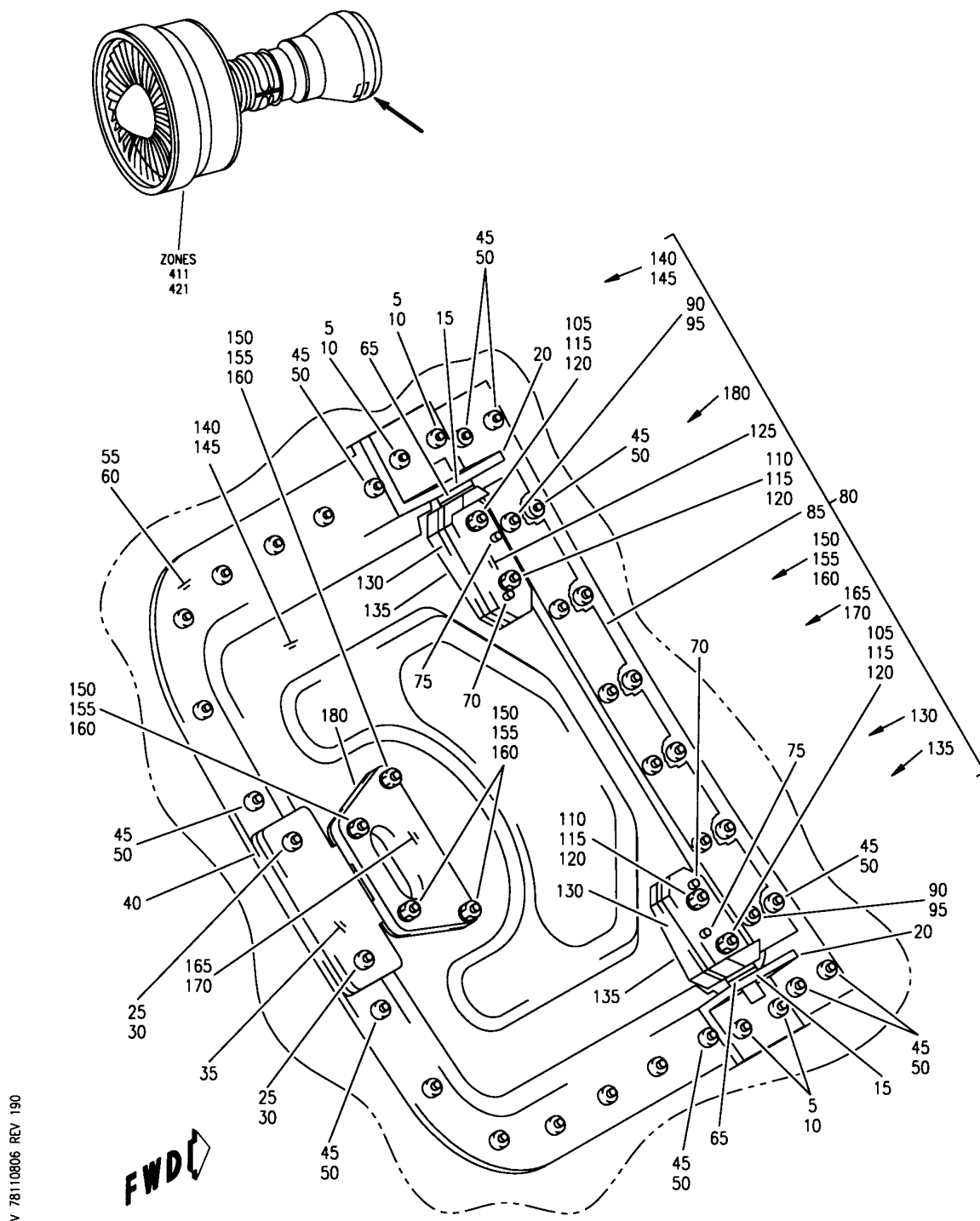
HXL

78-11-01-04

BOEING PROPRIETARY - Copyright © - Unpublished Work - See title page for details.

78-11-01
FIG. 04
PAGE 9
DEC 22/07

BOEING
767
PARTS CATALOG (MAINTENANCE)



DOOR INSTL-PRESSURE RELIEF FAN COWL
FIGURE 6

78-11-08-06

HXL
DEC 22/06

78-11-08-06
PAGE 0

BOEING
767
PARTS CATALOG (MAINTENANCE)

FIG ITEM	PART NUMBER	1 2 3 4 5 6 7	NOMENCLATURE	EFFECT FROM TO	UNITS PER ASSY
6			DOOR INSTL-PRESSURE RELIEF FAN COWL		
- 1	314T3115-1		DOOR INSTL-PRESSURE RELIEF FAN COWL FOR NHA SEE: 71-11-04-05		RF
5	HL13VAZ6-5		.BOLT SUPPLIER CODE: V56878 SPECIFICATION NUMBER: BACB30NY6K5 OPTIONAL PART: HL13VAZ6-5 V73197 HL13VAZ6-5 V92215 HL13VAZ6-5 V97928 L801-6K5 V06725 HL13VAZ6-5 V60516 L801-6K5 VOPTK6 HL13VAZ6-5 V17446 HL1013AZ6-5 V60516		4
10	HL79-6		.COLLAR SUPPLIER CODE: V5M902 SPECIFICATION NUMBER: BACC30M6 OPTIONAL PART: HL79-6 V73197 HL79-6 V92215 66014-6 V56878 HL79-6 V56878		4
15	BACB28AP04P010		.BUSHING		2
20	314T3115-4		.SUPPORT		2

R
R
R
R
R
R
R
R
R
R
R
R
R
R
R
R
R
R
R
R
R
R

ILLUSTRATION ITEMS NOT ON PARTS LIST ARE NOT APPLICABLE

- ITEM NOT ILLUSTRATED

HXL

78-11-08-06

BOEING PROPRIETARY - Copyright © - Unpublished Work - See title page for details.

78-11-08
FIG. 06
PAGE 1
AUG 22/09



767

PARTS CATALOG (MAINTENANCE)

FIG ITEM	PART NUMBER	1 2 3 4 5 6 7	NOMENCLATURE	EFFECT FROM TO	UNITS PER ASSY
6 25	HL13VAZ5-4		.BOLT SUPPLIER CODE: V56878 SPECIFICATION NUMBER: BACB30NY5K4 OPTIONAL PART: HL13VAZ5-4 V73197 HL13VAZ5-4 V92215 HL13VAZ5-4 V97928 L801-5K4 V06725 HL13VAZ5-4 V60516 L801-5K4 VOPTK6 HL13VAZ5-4 V17446		2
30	HL70-5		.COLLAR SUPPLIER CODE: V5M902 SPECIFICATION NUMBER: BACC30M5 OPTIONAL PART: HL70-5 V73197 HL70-5 V92215 66014-5 V56878 HL70-5 V56878		2
35	314T3115-5		.PLATE		1
40	314T3115-8		.SHIM		1

ILLUSTRATION ITEMS NOT ON PARTS LIST ARE NOT APPLICABLE

- ITEM NOT ILLUSTRATED

HXL

78-11-08-06

BOEING PROPRIETARY - Copyright © - Unpublished Work - See title page for details.

78-11-08
FIG. 06
PAGE 2
DEC 22/06



767

PARTS CATALOG (MAINTENANCE)

FIG ITEM	PART NUMBER	1 2 3 4 5 6 7	NOMENCLATURE	EFFECT FROM TO	UNITS PER ASSY
6					
45	HL13VAZ5-3		.BOLT SUPPLIER CODE: V56878 SPECIFICATION NUMBER: BACB30NY5K3 OPTIONAL PART: HL13VAZ5-3 V73197 HL13VAZ5-3 V92215 HL13VAZ5-3 V97928 L801-5K3 V06725 HL13VAZ5-3 V60516 L801-5K3 VOPTK6 HL13VAZ5-3 V17446		24
50	HL70-5		.COLLAR SUPPLIER CODE: V5M902 SPECIFICATION NUMBER: BACC30M5 OPTIONAL PART: HL70-5 V73197 HL70-5 V92215 66014-5 V56878 HL70-5 V56878		24
55	314T3115-2		.DOUBLER		1
65	314T3115-7		.WASHER		AR
65	AN960KD416L		.WASHER		AR
70	MS16562-9		.PIN		2
75	MS16562-8		.PIN		2
80	314T3115-9		.DOOR ASSY-		1
80	314T3115-12		.DOOR ASSY-		1
80	314T3115-14		.DOOR ASSY-		1
85	314T3115-3		..PLATE- OPTIONAL PART: 314T3115-16		1
85	314T3115-16		..PLATE- OPTIONAL PART: 314T3115-3		1

ILLUSTRATION ITEMS NOT ON PARTS LIST ARE NOT APPLICABLE

- ITEM NOT ILLUSTRATED

78-11-08-06

78-11-08
FIG. 06
PAGE 3
DEC 22/07

HXL

BOEING PROPRIETARY - Copyright © - Unpublished Work - See title page for details.



767

PARTS CATALOG (MAINTENANCE)

FIG ITEM	PART NUMBER	1 2 3 4 5 6 7	NOMENCLATURE	EFFECT FROM TO	UNITS PER ASSY
6	90 HL13VAZ5-3		.. BOLT SUPPLIER CODE: V56878 SPECIFICATION NUMBER: BACB30NY5K3 OPTIONAL PART: HL13VAZ5-3 V73197 HL13VAZ5-3 V92215 HL13VAZ5-3 V97928 L801-5K3 V06725 HL13VAZ5-3 V60516 L801-5K3 V0PTK6 HL13VAZ5-3 V17446		6
	95 HL70-5		.. COLLAR SUPPLIER CODE: V5M902 SPECIFICATION NUMBER: BACC30M5 OPTIONAL PART: HL70-5 V73197 HL70-5 V92215 66014-5 V56878 HL70-5 V56878		6
	105 BACB30LH3-11		.. BOLT		2
	110 BACB30LH3-12		.. BOLT		2
	115 AN960C10		.. WASHER		4

ILLUSTRATION ITEMS NOT ON PARTS LIST ARE NOT APPLICABLE

- ITEM NOT ILLUSTRATED

HXL

78-11-08-06

BOEING PROPRIETARY - Copyright © - Unpublished Work - See title page for details.

78-11-08
 FIG. 06
 PAGE 4
 DEC 22/06

 **BOEING**
767
PARTS CATALOG (MAINTENANCE)

FIG ITEM	PART NUMBER	1 2 3 4 5 6 7	NOMENCLATURE	EFFECT FROM TO	UNITS PER ASSY
6 120	BRH10C3M	..	NUT SUPPLIER CODE: V52828 SPECIFICATION NUMBER: BACN10JC3CM OPTIONAL PART: T6C1032JM V11815 97E02 V80539 109LH9075-3W V72962 VN303D02 V92215 NS202101SE02 V80539 H01-3BAC V15653		4
125	314T3231-1	..	FITTING		2
130	BACS40R09E16F	..	SHIM		2
145	314T4123-5	..	DOOR ASSY		1
150	BACS12ER06K8	..	SCREW		4
155	AN960C6	..	WASHER		4
160	BRH10C06M	..	NUT SUPPLIER CODE: V52828 SPECIFICATION NUMBER: BACN10JC06CM OPTIONAL PART: T6C632JM V11815 97E62 V80539 109LH9075-62W V72962 VN303D62 V92215 NS202101SE62 V80539 H01-06BAC V15653		4

ILLUSTRATION ITEMS NOT ON PARTS LIST ARE NOT APPLICABLE

— ITEM NOT ILLUSTRATED

HXL

78-11-08-06

BOEING PROPRIETARY - Copyright © - Unpublished Work - See title page for details.

78-11-08
FIG. 06
PAGE 5
DEC 22/06



767

PARTS CATALOG (MAINTENANCE)

FIG ITEM	PART NUMBER	1 2 3 4 5 6 7	NOMENCLATURE	EFFECT FROM TO	UNITS PER ASSY
6 165	43018-102		.. LATCH- SUPPLIER CODE: V29372 SPECIFICATION NUMBER: 60B90300-4 OPTIONAL PART: 43018-101 V29372 H2620-1 V83014 H2620-3 V83014		1
170	TL22057-101		.. LATCH- SUPPLIER CODE: V29372 SPECIFICATION NUMBER: 60B90300-502 OPTIONAL PART: H2620-7 V83014		1
170	H2620-7		.. LATCH- SUPPLIER CODE: V83014 OPTIONAL PART: TL22057-101 V29372		1

ILLUSTRATION ITEMS NOT ON PARTS LIST ARE NOT APPLICABLE

- ITEM NOT ILLUSTRATED

HXL

78-11-08-06

BOEING PROPRIETARY - Copyright © - Unpublished Work - See title page for details.

78-11-08
 FIG. 06
 PAGE 6
 APR 22/09