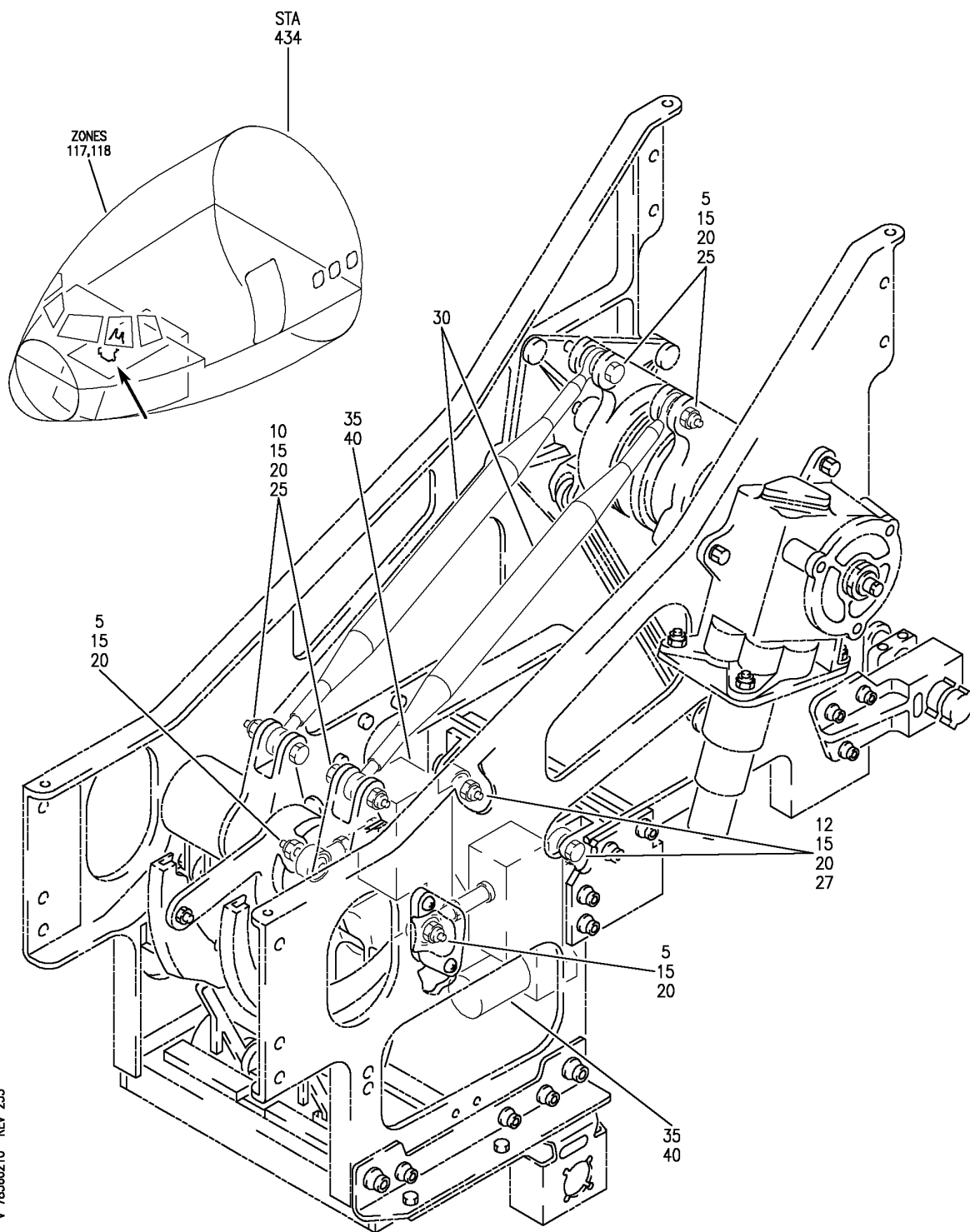


THRUST REVERSER POSITION INDICATING SYSTEM

HXL
DEC 22/06

78-36-00
SECTION TITLE
PAGE 1

BOEING
767
PARTS CATALOG (MAINTENANCE)



V 78360210 REV 253

AUTOTHROTTLE ASSY
FIGURE 10

78-36-02-10

HXL
DEC 22/06

78-36-02-10
PAGE 0



767

PARTS CATALOG (MAINTENANCE)

| FIG ITEM | PART NUMBER | 1 2 3 4 5 6 7 | NOMENCLATURE | EFFECT FROM TO | UNITS PER ASSY |
|----------|----------------|---------------|---|----------------|----------------|
| 10 | | | AUTOTHROTTLE ASSY | | |
| - 1 | 253T7101-8 | | AUTOTHROTTLE ASSY- COMPONENT MAINT MANUAL REF: 22-32-22 FOR NHA SEE: 22-32-01-02 | | RF |
| 5 | BACB30NF4-16 | | .BOLT | | 4 |
| 10 | BACB30NF4-17 | | .BOLT | | 2 |
| 12 | BACB30NF4-9 | | .BOLT | | 2 |
| 15 | AN960JD416L | | .WASHER | | 8 |
| 20 | MS21042L4 | | .NUT | | 8 |
| 25 | BACB28AK04-028 | | .BUSHING | | 4 |
| 27 | BACB28AK04-016 | | .BUSHING | | 2 |
| 30 | 250N2004-1113 | | .ROD ASSY- COMPONENT MAINT MANUAL REF: 27-00-12 | | 2 |
| 35 | 684D100-7 | | .ACTUATOR ASSY- SUPPLIER CODE: V72121 SPECIFICATION NUMBER: S253T402-3 COMPONENT MAINT MANUAL REF: 27-62-01 OPTIONAL PART: 684D100-11 V72121 684D100-15 V72121 | | 2 |
| 35 | 684D100-11 | | .ACTUATOR ASSY- SUPPLIER CODE: V72121 SPECIFICATION NUMBER: S253T402-4 COMPONENT MAINT MANUAL REF: 27-62-01 OPTIONAL PART: 684D100-15 V72121 | | 2 |

ILLUSTRATION ITEMS NOT ON PARTS LIST ARE NOT APPLICABLE

- ITEM NOT ILLUSTRATED

HXL

78-36-02-10

BOEING PROPRIETARY - Copyright © - Unpublished Work - See title page for details.

78-36-02
FIG. 10
PAGE 1
DEC 22/07



767
PARTS CATALOG (MAINTENANCE)

| FIG ITEM | PART NUMBER | 1 2 3 4 5 6 7 | NOMENCLATURE | EFFECT FROM TO | UNITS PER ASSY |
|-------------|-------------|---------------|--|-------------------|----------------------|
| 10 35 | 684D100-15 | | .ACTUATOR ASSY- SUPPLIER CODE: V72121 SPECIFICATION NUMBER: S253T402-4 COMPONENT MAINT MANUAL REF: 27-62-01 OPTIONAL PART: 684D100-11 V72121 OPTIONAL PART: 684D100-7 V72121 | | 2 |

ILLUSTRATION ITEMS NOT ON PARTS LIST ARE NOT APPLICABLE

- ITEM NOT ILLUSTRATED

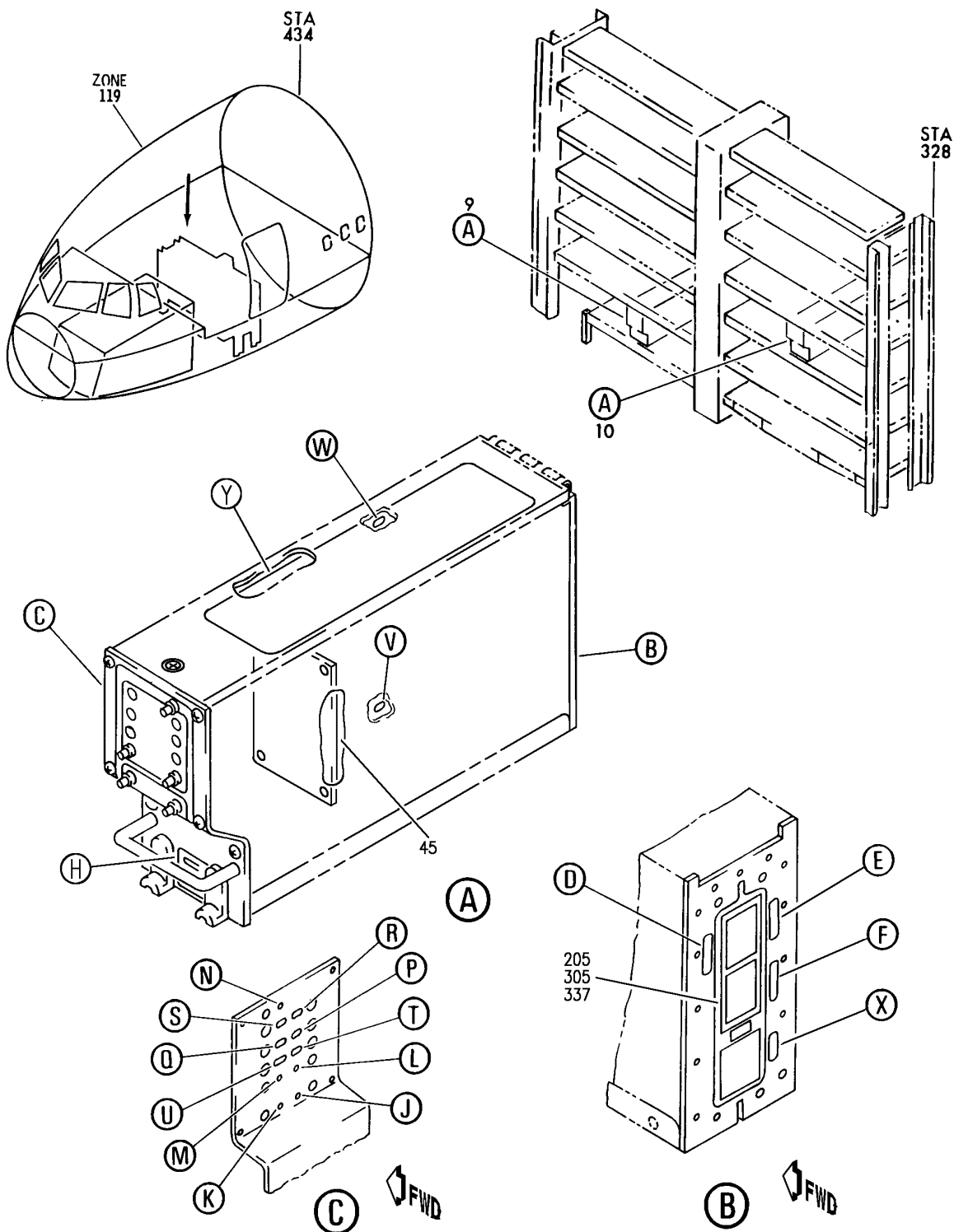
HXL

78-36-02-10

BOEING PROPRIETARY - Copyright © - Unpublished Work - See title page for details.

78-36-02
FIG. 10
PAGE 2
AUG 22/08

BOEING
767
PARTS CATALOG (MAINTENANCE)



V 78361102 SHT 1 REV 303

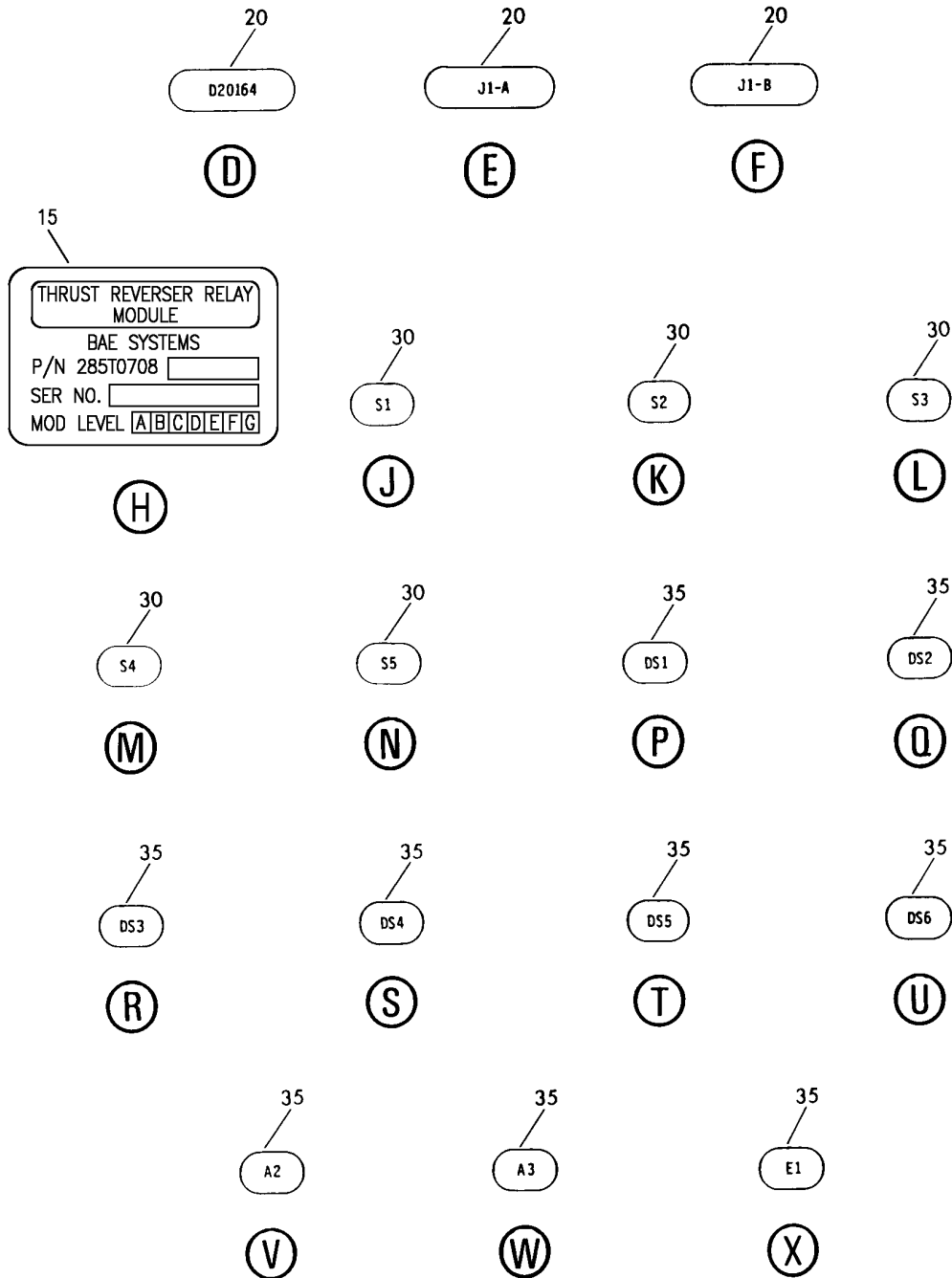
EQUIPMENT INSTL-ELECTRONIC EQPT CTR E1/E2 RACK (THRUST REVERSER POSITION INDICATING SYSTEM ONLY)
FIGURE 2 (SHEET 1)

78-36-11-02

HXL
DEC 22/06

78-36-11-02
PAGE 0

BOEING
767
PARTS CATALOG (MAINTENANCE)



V 78361102 SH1 2 REV 293

EQUIPMENT INSTL-ELECTRONIC EQPT CTR E1/E2 RACK (THRUST REVERSER POSITION INDICATING SYSTEM ONLY)
FIGURE 2 (SHEET 2)

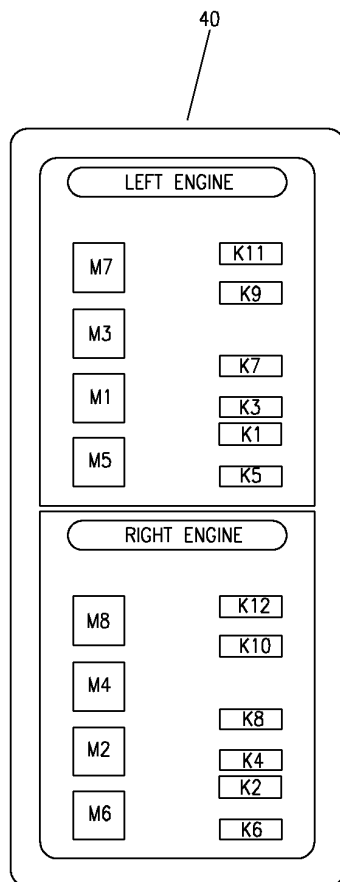
HXL
DEC 22/06

78-36-11-02

78-36-11-02
PAGE 0A

BOEING PROPRIETARY - Copyright © - Unpublished Work - See title page for details.

BOEING
767
PARTS CATALOG (MAINTENANCE)



Y

V 78361102 SH1 3 REV 293

EQUIPMENT INSTL-ELECTRONIC EQPT CTR E1/E2 RACK (THRUST REVERSER POSITION INDICATING SYSTEM ONLY)
FIGURE 2 (SHEET 3)

HXL
DEC 22/06

78-36-11-02

78-36-11-02
PAGE 0B



767

PARTS CATALOG (MAINTENANCE)

| FIG ITEM | PART NUMBER | 1 2 3 4 5 6 7 | NOMENCLATURE | EFFECT FROM TO | UNITS PER ASSY |
|----------|--------------|---------------|---|----------------|----------------|
| 2 | | | EQUIPMENT INSTL-ELECTRONIC EQPT CTR E1/E2 RACK (THRUST REVERSER POSITION INDICATING SYSTEM ONLY) | | |
| - 1 | 284T0400-618 | | EQUIPMENT INSTL-ELECTRONIC EQPT CTR E1/E2 RACK (THRUST REVERSER POSITION INDICATING SYSTEM ONLY) VARIABLE DRAWING REF: 284T0400-5284 FOR NHA/OTHER SYS DET SEE: 24-00-58-01J | 155162 | RF |
| - 2 | 284T0400-630 | | EQUIPMENT INSTL-ELECTRONIC EQPT CTR E1/E2 RACK (THRUST REVERSER POSITION INDICATING SYSTEM ONLY) VARIABLE DRAWING REF: 284T0400-5349 284T0400-5357 FOR NHA/OTHER SYS DET SEE: 24-00-58-01J | 163999 | RF |
| 10 | 285T0708-3 | | .MODULE ASSY-THRUST REVERSER RELAY SUPPLIER CODE: V89954 ELECTRICAL EQUIP NUMBER: M01987 COMPONENT MAINT MANUAL REF: 78-30-11 POST SERVICE BULLETIN: 78-0062R5 FUNCTIONAL REFERENCE: PLACARDS AND MARKINGS FOR DETAILS SEE 11-36-91-10 | | 1 |
| 15 | BAC27TEX4951 | | ..MARKER-ALUMINUM FOIL SUPPLIER CODE: V89954 | | 1 |
| 20 | BAC27TEX4976 | | ..DECALSET-INCLUDES DECALS IDENTIFIED ON THE ILLUSTRATION POST SERVICE BULLETIN: 78-0062R5 | | AR |
| 30 | BAC27TEX3349 | | ..DECALSET-INCLUDES DECALS IDENTIFIED ON THE ILLUSTRATION | | AR |

ILLUSTRATION ITEMS NOT ON PARTS LIST ARE NOT APPLICABLE

- ITEM NOT ILLUSTRATED

HXL

78-36-11-02

BOEING PROPRIETARY - Copyright © - Unpublished Work - See title page for details.

78-36-11
FIG. 02
PAGE 1
APR 22/08



767

PARTS CATALOG (MAINTENANCE)

| FIG ITEM | PART NUMBER | 1 2 3 4 5 6 7 | NOMENCLATURE | EFFECT FROM TO | UNITS PER ASSY |
|----------|--------------|---------------|--|----------------|----------------|
| 2 | | | | | |
| 35 | BAC27TEX3486 | | ..DECALSET-INCLUDES DECALS IDENTIFIED ON THE ILLUSTRATION SUPPLIER CODE: V89954 | | AR |
| 40 | BAC27TEX4988 | | ..DECALSET-(INCLUDES DECALS IDENTIFIED ON THE ILLUSTRATION) SUPPLIER CODE: V89954 | | 1 |
| 45 | 285T0707-2 | | ..PRINTED CIRCUIT ASSY-LIGHT EMITTING DIODE CONT SUPPLIER CODE: V89954 ELECTRICAL EQUIP NUMBER: A00001 COMPONENT MAINT MANUAL REF: 78-30-13 ATTACHING PARTS | | 1 |
| - 50 | MS51957-30 | | ..SCREW | | 4 |
| - 55 | NAS620C6 | | ..WASHER | | 4 |
| | | | -----*----- | | |
| - 335 | 286T0117-101 | | WIRE BUNDLE ASSY-E1-4 TO SHELF POST SERVICE BULLETIN: 78-0062R5 | | RF |
| 337 | BCREF10553 | | .PLUG- OVERLENGTH PART NUMBER: BACC66H21C27AA01 ELECTRICAL EQUIP NUMBER: D20164 WIRING DIAGRAM REF: 783611 POST SERVICE BULLETIN: 78-0062R5 | | 1 |

ILLUSTRATION ITEMS NOT ON PARTS LIST ARE NOT APPLICABLE

- ITEM NOT ILLUSTRATED

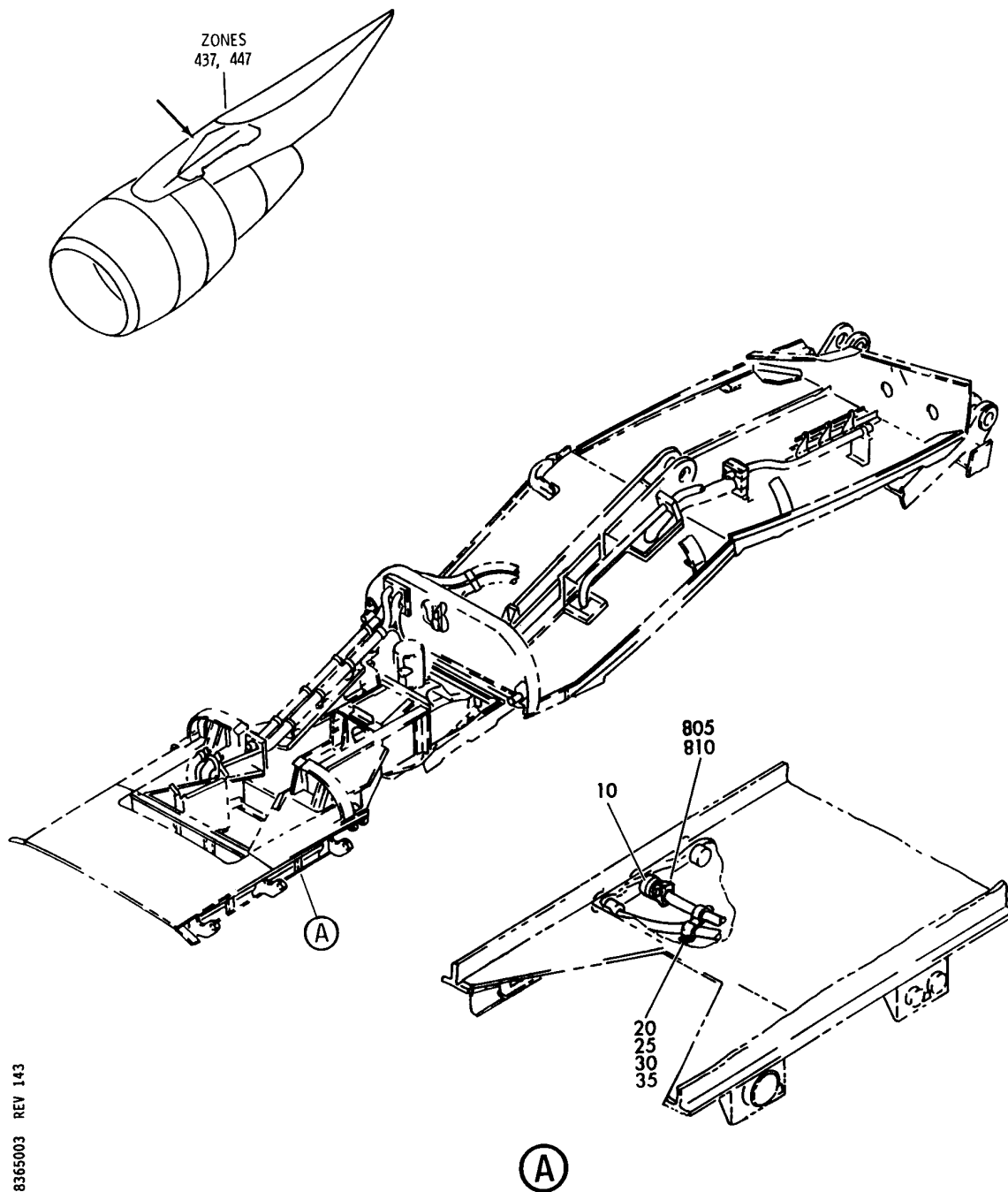
HXL

78-36-11-02

BOEING PROPRIETARY - Copyright © - Unpublished Work - See title page for details.

78-36-11
FIG. 02
PAGE 2
APR 22/08

BOEING
767
PARTS CATALOG (MAINTENANCE)



V 78365003 REV 143

WIRING INSTL-ELECTRICAL STRUT (THRUST REVERSER INDICATING SYSTEM ONLY)
FIGURE 3

78-36-50-03

HXL
DEC 22/06

78-36-50-03
PAGE 0



767

PARTS CATALOG (MAINTENANCE)

| FIG ITEM | PART NUMBER | 1 2 3 4 5 6 7 | NOMENCLATURE | EFFECT FROM TO | UNITS PER ASSY |
|----------|--------------|---------------|---|----------------|----------------|
| 3 | | | WIRING INSTL-ELECTRICAL STRUT (THRUST REVERSER INDICATING SYSTEM ONLY) | | |
| - 1 | 312T4210-16 | | WIRING INSTL-ELECTRICAL STRUT (THRUST REVERSER INDICATING SYSTEM ONLY) VARIABLE DRAWING REF: 312T4210-5010 FOR NHA/OTHER SYS DET SEE: 54-00-51-02 | | RF |
| 10 | BAC27TPP0077 | | .MARKER-ALUMINUM FOIL PLACARD CONTENT: 4 | | 1 |
| 20 | NAS1801-3 | | .SCREW- SIZE DETERMINED ON INSTL. | | 1 |
| 25 | AN960JD10L | | .WASHER | | 1 |
| 30 | MS21042L3 | | .NUT | | 1 |
| 35 | BACC10GU | | .CLAMP- SIZE DETERMINED ON INSTL. | | 1 |
| - 800 | 286T0376-112 | | .WIRE BUNDLE ASSY | | RF |
| 805 | G899316NF | | ..CLAMP- SUPPLIER CODE: V06324 SPECIFICATION NUMBER: BACC10HF16C OPTIONAL PART: S2251-16-65 V07418 900-555F16-55 V31461 GS3417-16C V06324 S2125-16C8 V07418 ELECTRICAL EQUIP NUMBER: D04164JK WIRING DIAGRAM REF: 783621 | | 1 |
| 810 | R071116F10SN | | ..CONNECTOR- SUPPLIER CODE: V41118 SPECIFICATION NUMBER: BACC63BV16F10SN ELECTRICAL EQUIP NUMBER: D04164J WIRING DIAGRAM REF: 783621 | | 1 |

ILLUSTRATION ITEMS NOT ON PARTS LIST ARE NOT APPLICABLE

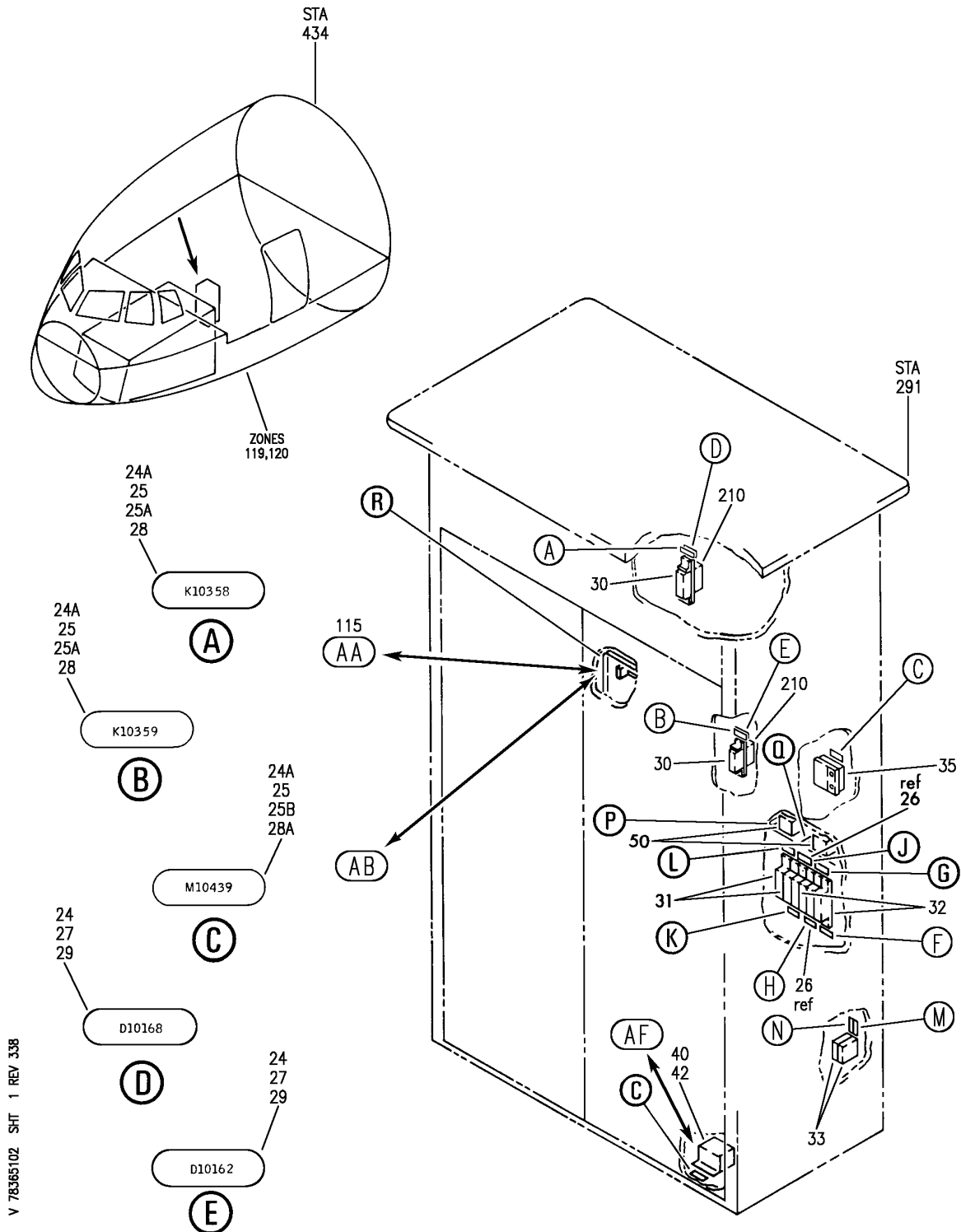
- ITEM NOT ILLUSTRATED

78-36-50-03

78-36-50
FIG. 03
PAGE 1
DEC 22/07

HXL

BOEING
767
PARTS CATALOG (MAINTENANCE)



V 78365102 SHT 1 REV 338

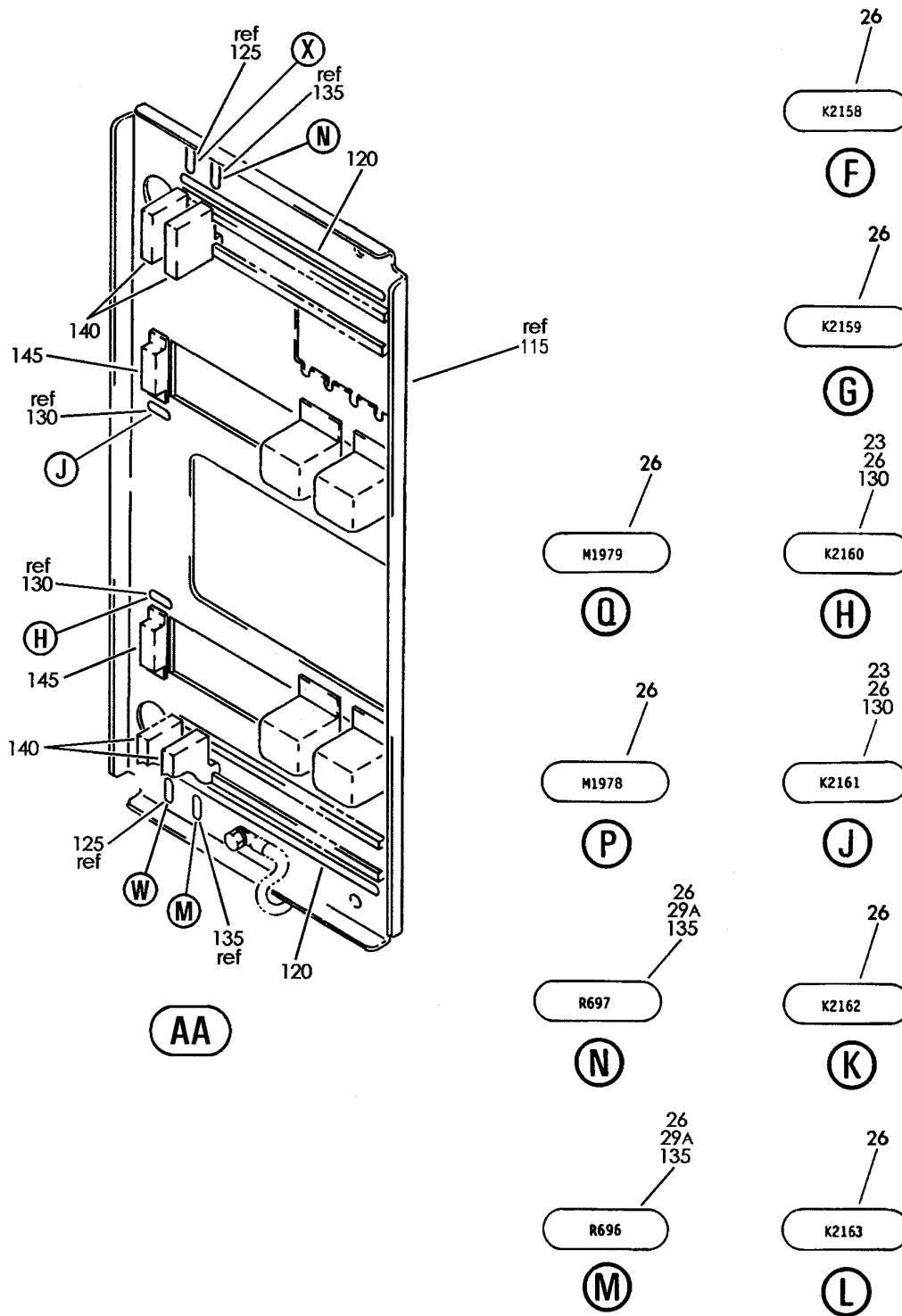
EQUIPMENT ASSY-P33 MISC ELEC PNL FWD (EXHAUST ONLY)
FIGURE 2 (SHEET 1)

78-36-51-02

HXL
APR 22/09

78-36-51-02
PAGE 0

BOEING
767
PARTS CATALOG (MAINTENANCE)



V 78365102 SH1 2 REV 262

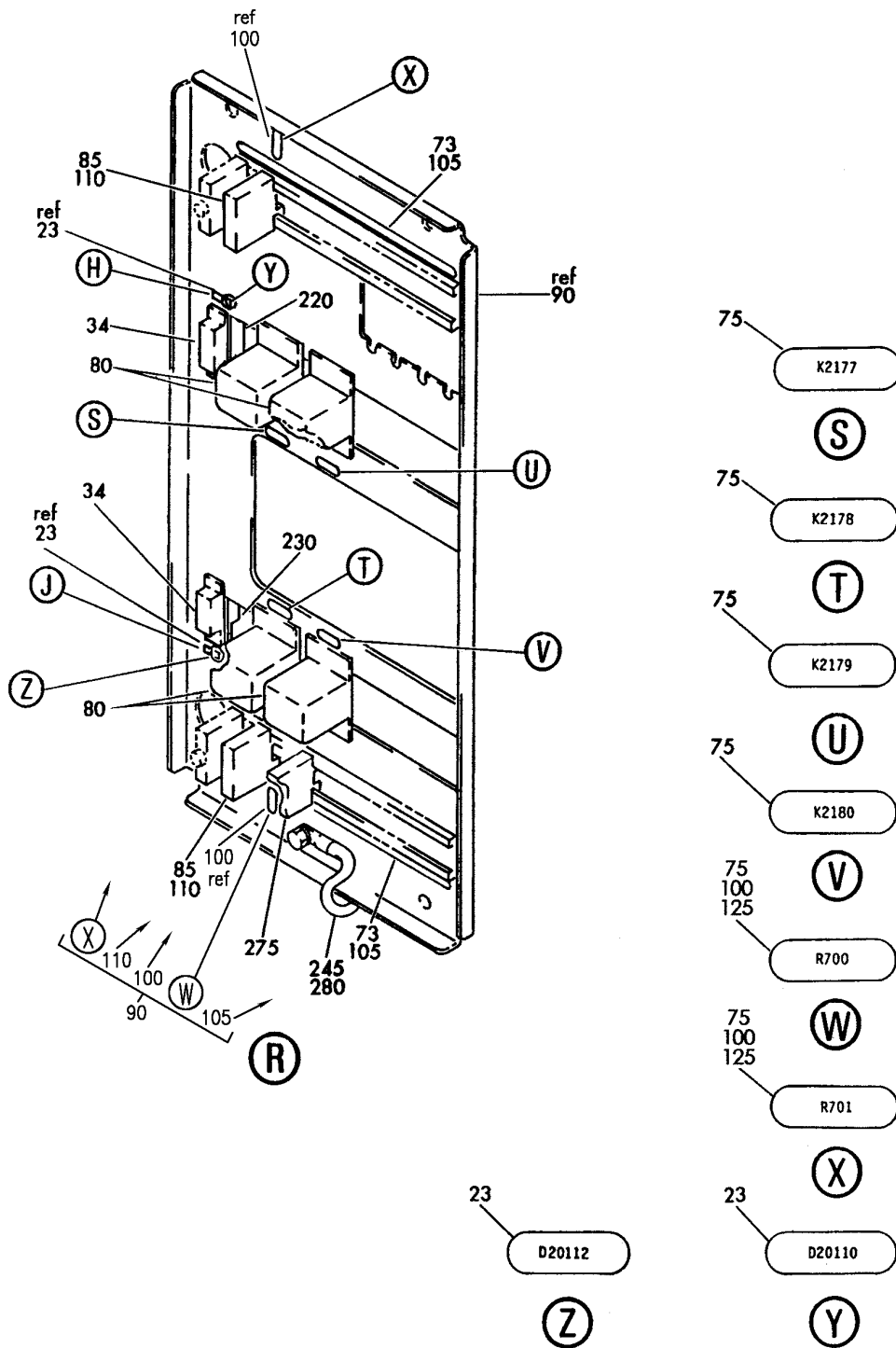
EQUIPMENT ASSY-P33 MISC ELEC PNL FWD (EXHAUST ONLY)
FIGURE 2 (SHEET 2)

78-36-51-02

HXL
DEC 22/06

78-36-51-02
PAGE 0A


BOEING
 767
PARTS CATALOG (MAINTENANCE)



V 78365102 SHT 3 REV 262

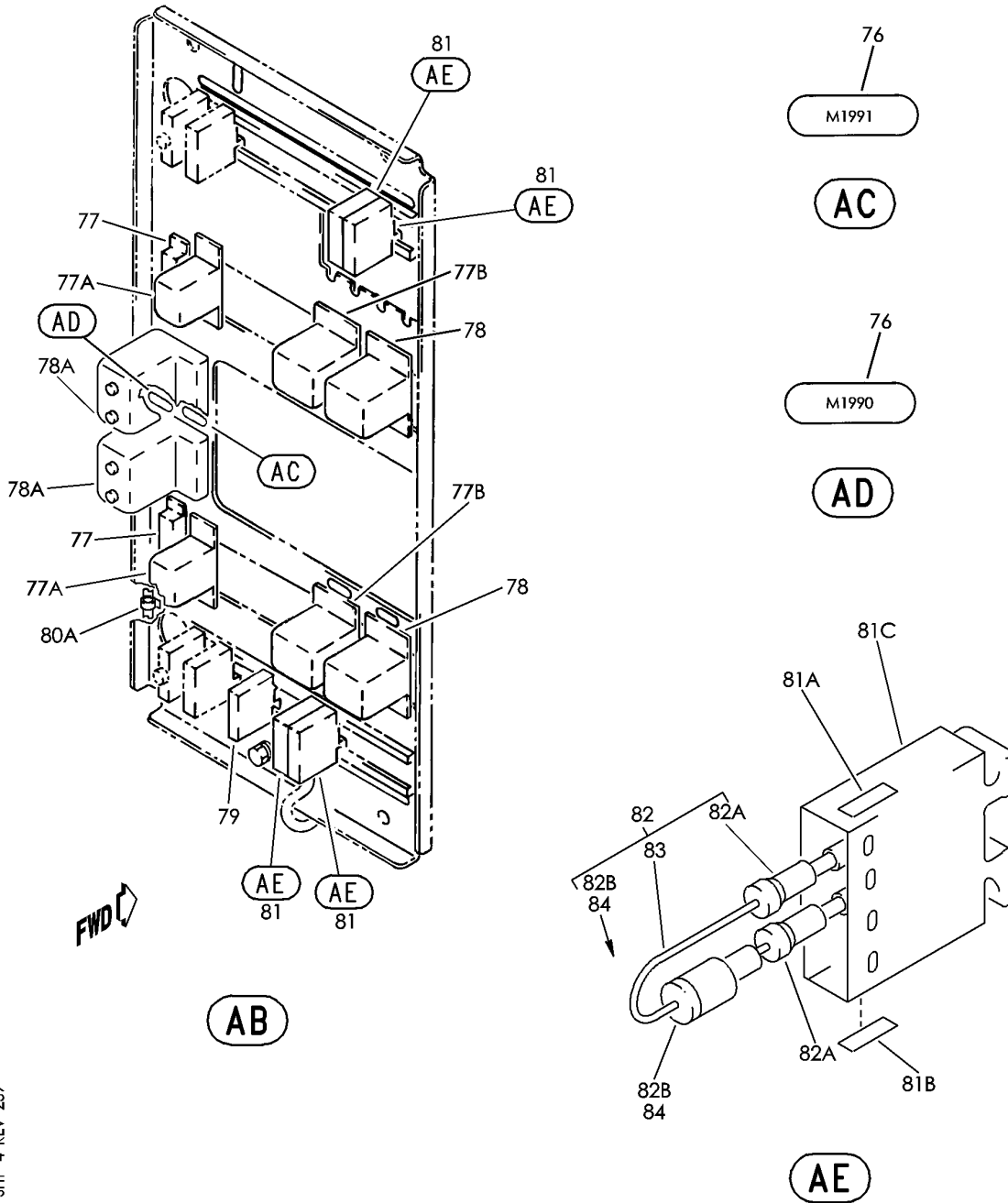
EQUIPMENT ASSY-P33 MISC ELEC PNL FWD (EXHAUST ONLY)
 FIGURE 2 (SHEET 3)

78-36-51-02

HXL
 DEC 22/06

78-36-51-02
 PAGE 0B


BOEING
 767
PARTS CATALOG (MAINTENANCE)



V 78365102 SH1 4 REV 239

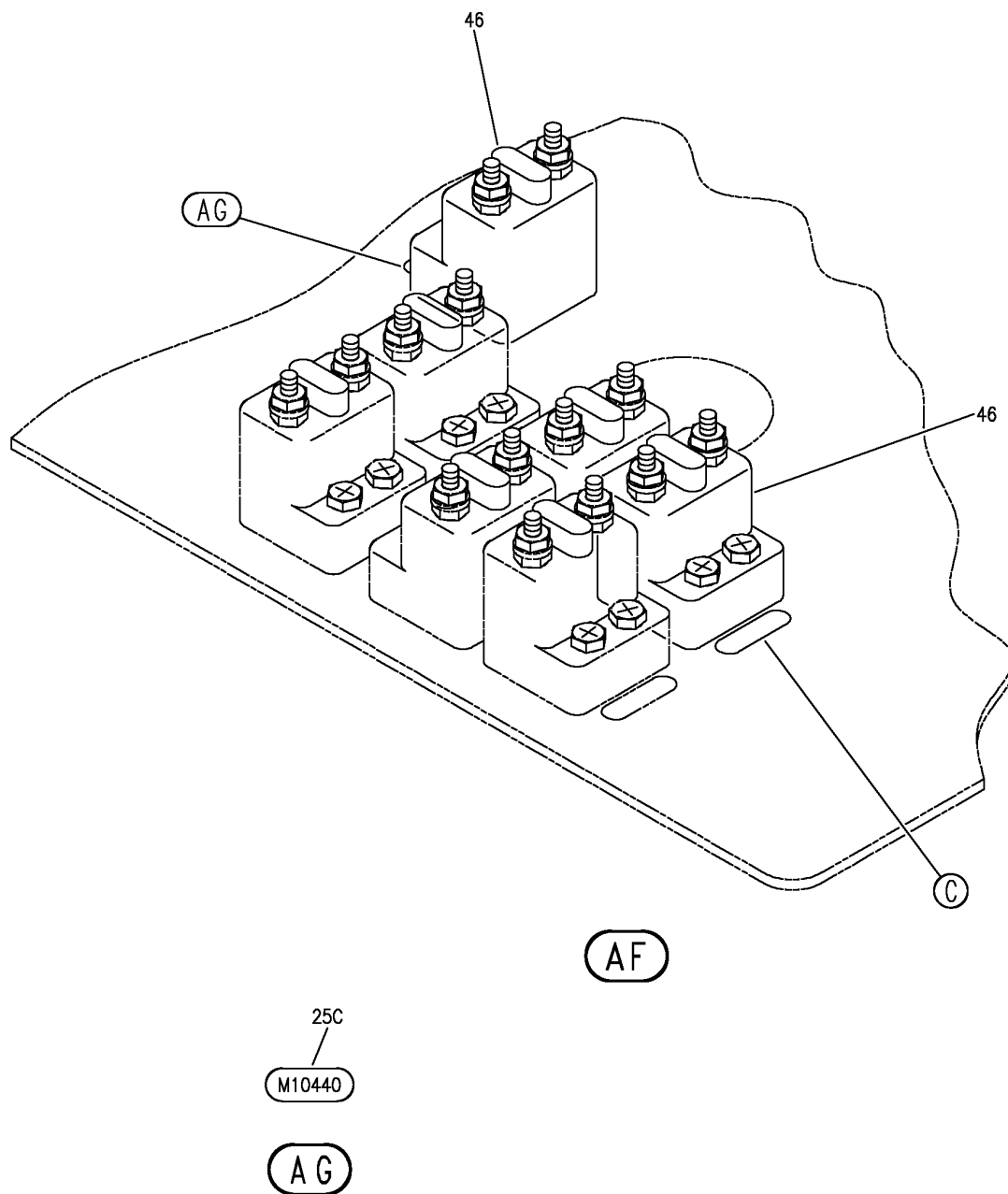
EQUIPMENT ASSY-P33 MISC ELEC PNL FWD (EXHAUST ONLY)
 FIGURE 2 (SHEET 4)

78-36-51-02

HXL
 DEC 22/06

78-36-51-02
 PAGE 0C

BOEING
767
PARTS CATALOG (MAINTENANCE)



V 78365102 SFT 5 REV 338

EQUIPMENT ASSY-P33 MISC ELEC PNL FWD (EXHAUST ONLY)
FIGURE 2 (SHEET 5)

78-36-51-02

HXL
APR 22/09

78-36-51-02
PAGE 0D



767

PARTS CATALOG (MAINTENANCE)

| FIG ITEM | PART NUMBER | 1 2 3 4 5 6 7 | NOMENCLATURE | EFFECT FROM TO | UNITS PER ASSY |
|----------|--------------|---------------|---|----------------|----------------|
| 2 | | | EQUIPMENT ASSY-P33 MISC ELEC PNL FWD (EXHAUST ONLY) | | |
| - 9 | 284T0189-155 | | EQUIPMENT ASSY-P33 MISC ELEC PNL (EXHAUST ONLY) POSITION DATA: FWD FOR NHA/OTHER SYS DET SEE: 25-50-51-01 | 163999 | RF |
| - 11 | 284T0189-183 | | EQUIPMENT ASSY-P33 MISC ELEC PNL (EXHAUST ONLY) POSITION DATA: FWD FOR NHA/OTHER SYS DET SEE: 25-50-51-01 | 155162 | RF |
| 25 | BAC27TEX4199 | | .DECALSET-INCLUDES DECALS IDENTIFIED ON THE ILLUSTRATION | | RF |
| 26 | BAC27TEX4938 | | .DECALSET-INCLUDES DECALS IDENTIFIED ON THE ILLUSTRATION POST SERVICE BULLETIN: 78-0051 | | 1 |
| 27 | BAC27TEX4206 | | .DECALSET-INCLUDES DECALS IDENTIFIED ON THE ILLUSTRATION | | RF |
| 30 | W260F4AM11 | | .RELAY- SUPPLIER CODE: VF0219 SPECIFICATION NUMBER: BACR13CD2 OPTIONAL PART: BR16S233 V09026 EE4AA005 V35344 3SAV1338A2 V01526 HFW1206K03 V58614 HFW1204K01 V71482 ELECTRICAL EQUIP NUMBER: K10358 K10359 | | 2 |

ILLUSTRATION ITEMS NOT ON PARTS LIST ARE NOT APPLICABLE

- ITEM NOT ILLUSTRATED

78-36-51-02

78-36-51
FIG. 02
PAGE 1
DEC 22/07

HXL



**767
PARTS CATALOG (MAINTENANCE)**

| FIG ITEM | PART NUMBER | 1 2 3 4 5 6 7 | NOMENCLATURE | EFFECT FROM TO | UNITS PER ASSY |
|----------|---------------|---------------|--|----------------|----------------|
| 2 | | | | | |
| 40 | 10167-2001BT | | .MODULE-TIME DELAY SUPPLIER CODE: V08719 ELECTRICAL EQUIP NUMBER: M10439 OPTIONAL PART: 10167-2BT V08719 TD2767-2001 V58657 PRE SERVICE BULLETIN: 78-0051 | 163999 | 1 |
| 40 | 10167-2BT | | .MODULE-TIME DELAY SUPPLIER CODE: V08719 ELECTRICAL EQUIP NUMBER: M10439 OPTIONAL PART: 1067-2001BT V08719 PRE SERVICE BULLETIN: 78-0051 | 163999 | 1 |
| 40 | TD1767-2001 | | .MODULE-TIME DELAY SUPPLIER CODE: V58657 ELECTRICAL EQUIP NUMBER: M10439 OPTIONAL PART: 10167-2001BT V08719 PRE SERVICE BULLETIN: 78-0051 | 163999 | 1 |
| 40 | 10167-2-0BT | | .MODULE-TIME DELAY SUPPLIER CODE: VS5065 ELECTRICAL EQUIP NUMBER: M10439 | 163999 | 2 |
| 42 | TD1982-7501 | | .RELAY-TIME DELAY SUPPLIER CODE: V58657 ELECTRICAL EQUIP NUMBER: M10439 POST SERVICE BULLETIN: 78-0062 | | 1 |
| - 45 | NAS1801-06-13 | | ATTACHING PARTS .SCREW | | 2 |
| - 48 | NAS1801-06-13 | | .SCREW | | 4 |
| - 200 | 286T0144-300 | | -----*----- .WIRE BUNDLE ASSY- | | RF |

ILLUSTRATION ITEMS NOT ON PARTS LIST ARE NOT APPLICABLE

- ITEM NOT ILLUSTRATED

78-36-51-02

78-36-51
FIG. 02
PAGE 2
APR 22/09

HXL



767

PARTS CATALOG (MAINTENANCE)

| FIG ITEM | PART NUMBER | 1 2 3 4 5 6 7 | NOMENCLATURE | EFFECT FROM TO | UNITS PER ASSY |
|--------------|---------------------------|---------------|---|----------------|----------------|
| 2 | | | | | |
| - 205 210 | 286T0142-300 RSE120026 | | .WIRE BUNDLE ASSY- .. SOCKET- SUPPLIER CODE: V58982 SPECIFICATION NUMBER: BACS16AG1 OPTIONAL PART: 451120-026 V58982 ELECTRICAL EQUIP NUMBER: D10162 D10168 WIRING DIAGRAM REF: 783621 | | RF 1 |
| - 215 220 | 286T0140-301 RSE120026 | | .WIRE BUNDLE ASSY .. SOCKET- SUPPLIER CODE: V58982 SPECIFICATION NUMBER: BACS16AG1 OPTIONAL PART: 451120-026 V58982 ELECTRICAL EQUIP NUMBER: D20110 WIRING DIAGRAM REF: 783611 | | 1 1 |
| - 225 230 | 286T0136-301 RSE120026 | | .WIRE BUNDLE ASSY .. SOCKET- SUPPLIER CODE: V58982 SPECIFICATION NUMBER: BACS16AG1 OPTIONAL PART: 451120-026 V58982 ELECTRICAL EQUIP NUMBER: D20112 WIRING DIAGRAM REF: 783621 | | 1 1 |

ILLUSTRATION ITEMS NOT ON PARTS LIST ARE NOT APPLICABLE

- ITEM NOT ILLUSTRATED

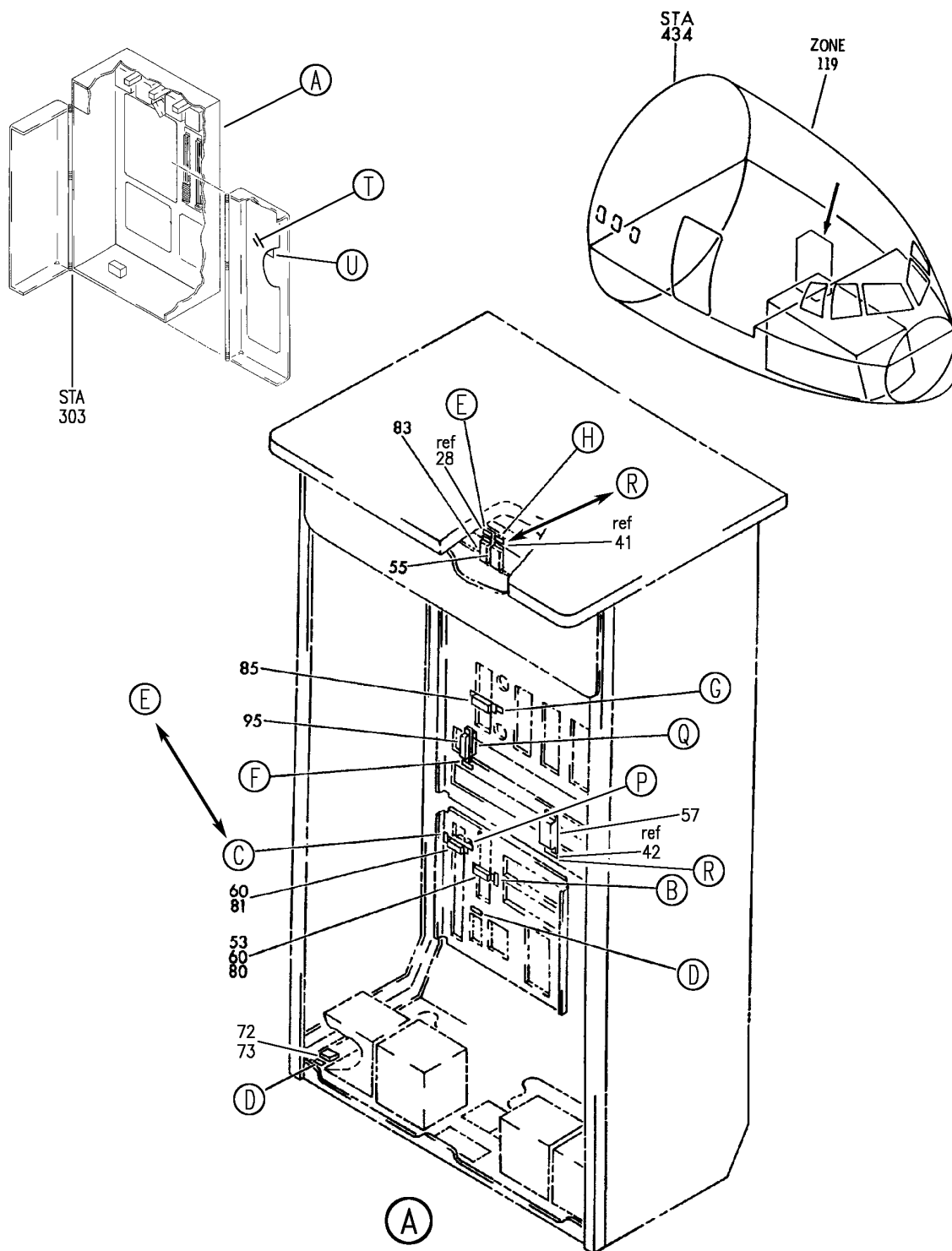
HXL

78-36-51-02

BOEING PROPRIETARY - Copyright © - Unpublished Work - See title page for details.

78-36-51
FIG. 02
PAGE 3
APR 22/09

BOEING
767
PARTS CATALOG (MAINTENANCE)



V 78366001 SHT 1 REV 310

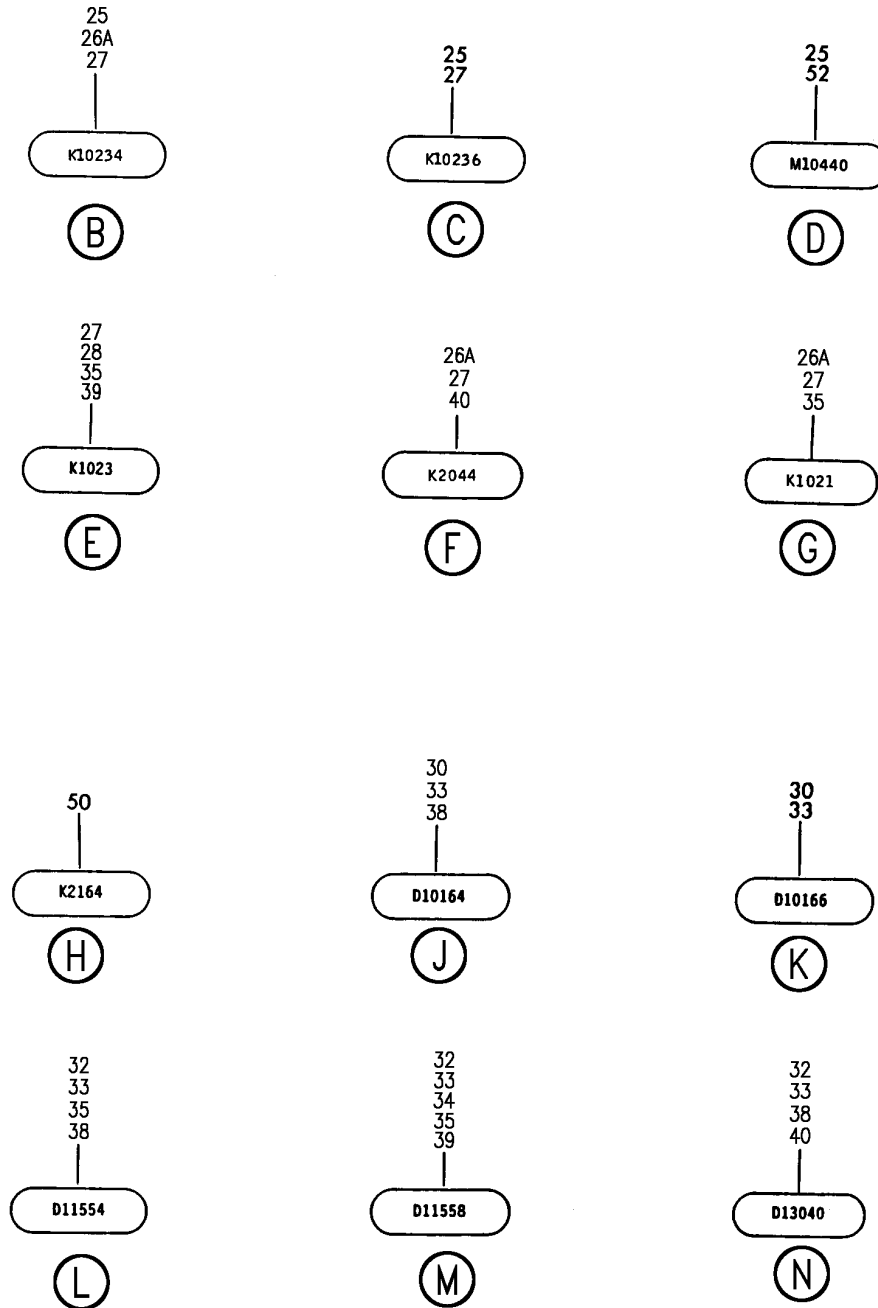
EQUIPMENT ASSY-P36 MISC ELEC PNL L (THRUST REVERSER POSITION INDICATING SYSTEM ONLY)
FIGURE 1 (SHEET 1)

HXL
DEC 22/06

78-36-60-01

78-36-60-01
PAGE 0

BOEING
767
PARTS CATALOG (MAINTENANCE)



V 78366001 SH1 2 REV 311

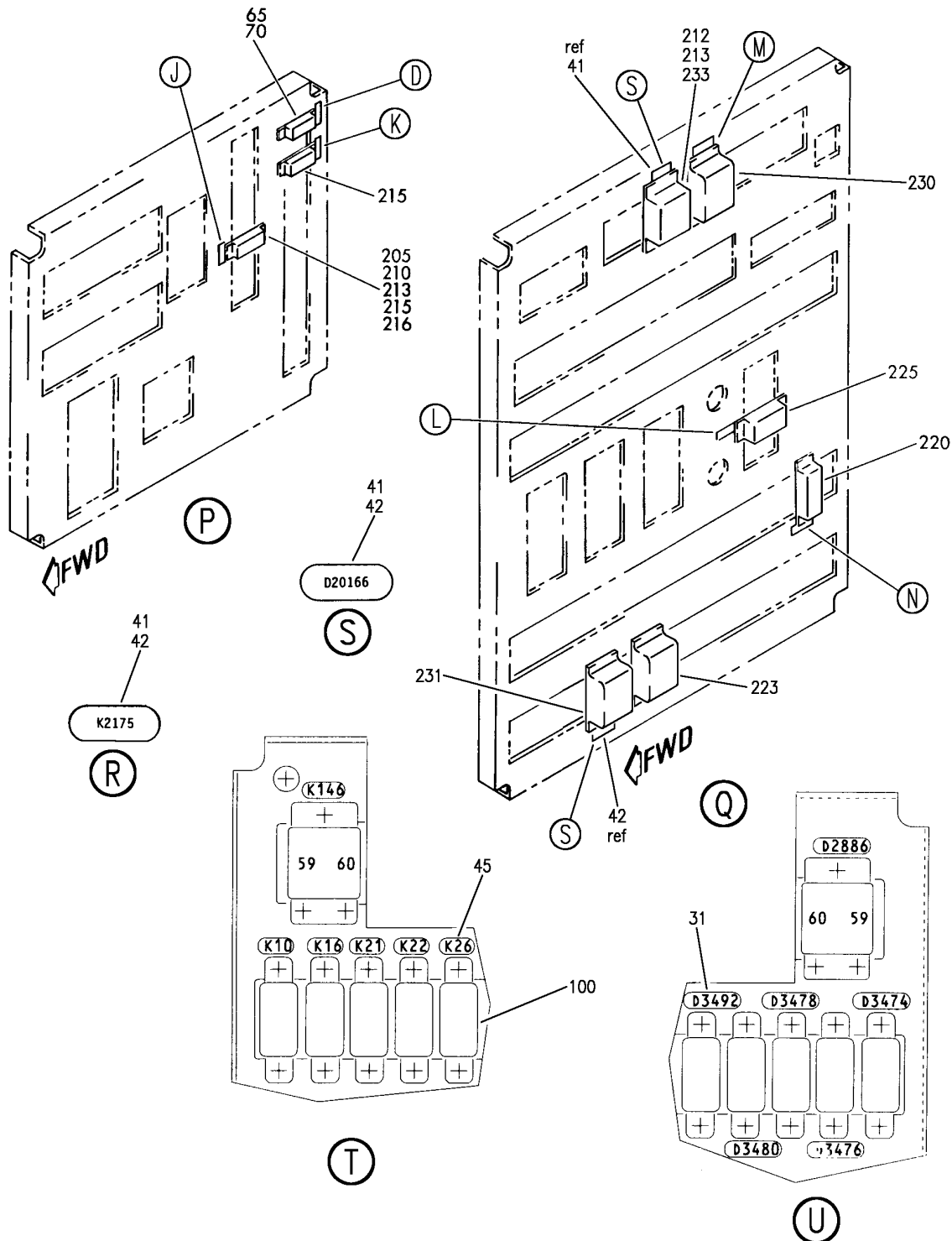
EQUIPMENT ASSY-P36 MISC ELEC PNL L (THRUST REVERSER POSITION INDICATING SYSTEM ONLY)
FIGURE 1 (SHEET 2)

HXL
DEC 22/06

78-36-60-01

78-36-60-01
PAGE 0A

BOEING
767
PARTS CATALOG (MAINTENANCE)



V 78366001 SH-T 3 REV 293

EQUIPMENT ASSY-P36 MISC ELEC PNL L (THRUST REVERSER POSITION INDICATING SYSTEM ONLY)
FIGURE 1 (SHEET 3)

78-36-60-01

HXL
DEC 22/06

78-36-60-01
PAGE 0B



767

PARTS CATALOG (MAINTENANCE)

| FIG ITEM | PART NUMBER | 1 2 3 4 5 6 7 | NOMENCLATURE | EFFECT FROM TO | UNITS PER ASSY |
|----------|--------------|---------------|---|----------------|----------------|
| 1 | | | EQUIPMENT ASSY-P36 MISC ELEC PNL L (THRUST REVERSER POSITION INDICATING SYSTEM ONLY) | | |
| - 10 | 284T0187-167 | | EQUIPMENT ASSY-P36 MISC ELEC PNL (THRUST REVERSER POSITION INDICATING SYSTEM ONLY) POSITION DATA: L FOR NHA/OTHER SYS DET SEE: 53-11-70-03 | 155162 | RF |
| - 12 | 284T0187-205 | | EQUIPMENT ASSY-P36 MISC ELEC PNL (THRUST REVERSER POSITION INDICATING SYSTEM ONLY) POSITION DATA: L FOR NHA/OTHER SYS DET SEE: 53-11-70-03 | 163163 | RF |
| - 13 | 284T0187-212 | | EQUIPMENT ASSY-P36 MISC ELEC PNL (THRUST REVERSER POSITION INDICATING SYSTEM ONLY) POSITION DATA: L FOR NHA/OTHER SYS DET SEE: 53-11-70-03 | 164999 | RF |
| 27 | BAC27TEX4181 | | .DECALSET-INCLUDES DECALS IDENTIFIED ON THE ILLUSTRATION | | RF |
| 33 | BAC27TEX4187 | | .DECALSET-INCLUDES DECALS IDENTIFIED ON THE ILLUSTRATION | | RF |
| 50 | BAC27TEX4936 | | .DECALSET-INCLUDES DECALS IDENTIFIED ON THE ILLUSTRATION POST SERVICE BULLETIN: 78-0051 | | RF |
| 52 | BAC27TEX4179 | | .DECALSET-INCLUDES DECALS IDENTIFIED ON THE ILLUSTRATION | | RF |

ILLUSTRATION ITEMS NOT ON PARTS LIST ARE NOT APPLICABLE

- ITEM NOT ILLUSTRATED

HXL

78-36-60-01

BOEING PROPRIETARY - Copyright © - Unpublished Work - See title page for details.

78-36-60
FIG. 01
PAGE 1
DEC 22/07



767

PARTS CATALOG (MAINTENANCE)

| FIG ITEM | PART NUMBER | 1 2 3 4 5 6 7 | NOMENCLATURE | EFFECT FROM TO | UNITS PER ASSY |
|----------|---------------|---------------|--|----------------|----------------|
| 1 55 | E410-1537 | | .RELAY- SUPPLIER CODE: V99699 SPECIFICATION NUMBER: BACR13CG2A OPTIONAL PART: E415-1078 V99699 BR230S0116 V56623 KD4A017 V58687 FCA410-62 V78290 ELECTRICAL EQUIP NUMBER: K02164 POST SERVICE BULLETIN: 78-0051 | | 1 |
| 72 | TD1982-7501 | | .RELAY-TIME DELAY SUPPLIER CODE: V58657 ELECTRICAL EQUIP NUMBER: M10440 POST SERVICE BULLETIN: 78-0062 ATTACHING PARTS | | 1 |
| - 75 | NAS1801-06-13 | | .SCREW -----*----- | | 2 |
| 80 | W260F4AM11 | | .RELAY- SUPPLIER CODE: VF0219 SPECIFICATION NUMBER: BACR13CD2 OPTIONAL PART: BR16S233 V09026 EE4AA005 V35344 3SAV1338A2 V01526 HFW1206K03 V58614 HFW1204K01 V71482 ELECTRICAL EQUIP NUMBER: K10234 K10236 | | 2 |

ILLUSTRATION ITEMS NOT ON PARTS LIST ARE NOT APPLICABLE

- ITEM NOT ILLUSTRATED

HXL

78-36-60-01

BOEING PROPRIETARY - Copyright © - Unpublished Work - See title page for details.

78-36-60
FIG. 01
PAGE 2
DEC 22/07



767

PARTS CATALOG (MAINTENANCE)

| FIG ITEM | PART NUMBER | 1 2 3 4 5 6 7 | NOMENCLATURE | EFFECT FROM TO | UNITS PER ASSY |
|--------------|---------------------------|---------------|---|----------------|----------------|
| 1 95 | E210-1631 | | .RELAY- SUPPLIER CODE: V99699 SPECIFICATION NUMBER: BACR13CF2A OPTIONAL PART: BR246S0112 V56623 FCA210-70 V78290 E215-1050 V99699 JD4A017 V35344 BR64S104 V56623 61GB19-1A320 V98927 ELECTRICAL EQUIP NUMBER: K02044 | | 1 |
| - 200 213 | 286T0176-300 RSE120026 | | .WIRE BUNDLE ASSY- ..SOCKET- SUPPLIER CODE: V58982 SPECIFICATION NUMBER: BACS16AG1 OPTIONAL PART: 451120-026 V58982 ELECTRICAL EQUIP NUMBER: D10164 D11558 WIRING DIAGRAM REF: 783611 | | RF 2 |
| 220 | BACS16X1 | | ..SOCKET- ELECTRICAL EQUIP NUMBER: D13040 WIRING DIAGRAM REF: 783611 | | 1 |

ILLUSTRATION ITEMS NOT ON PARTS LIST ARE NOT APPLICABLE

- ITEM NOT ILLUSTRATED

HXL

78-36-60-01

BOEING PROPRIETARY - Copyright © - Unpublished Work - See title page for details.

78-36-60
FIG. 01
PAGE 3
DEC 22/07



767

PARTS CATALOG (MAINTENANCE)

| FIG ITEM | PART NUMBER | 1 2 3 4 5 6 7 | NOMENCLATURE | EFFECT FROM TO | UNITS PER ASSY |
|----------|----------------|---------------|--|----------------|----------------|
| 1 223 | RSF116400 | | .. SOCKET- SUPPLIER CODE: V58982 SPECIFICATION NUMBER: BACS16W1A OPTIONAL PART: 102-009-1 V09922 000300-1539 V05574 ELECTRICAL EQUIP NUMBER: D20102 WIRING DIAGRAM REF: 783411 POST SERVICE BULLETIN: 78-0062R5 | | 1 |
| - 330 | 289T0247-10910 | | .. TAPE-IDENT POST SERVICE BULLETIN: 78-0062R5 | | 1 |
| - 335 | 289T0247-10913 | | .. TAPE-IDENT POST SERVICE BULLETIN: 78-0062R5 | | 1 |

ILLUSTRATION ITEMS NOT ON PARTS LIST ARE NOT APPLICABLE

- ITEM NOT ILLUSTRATED

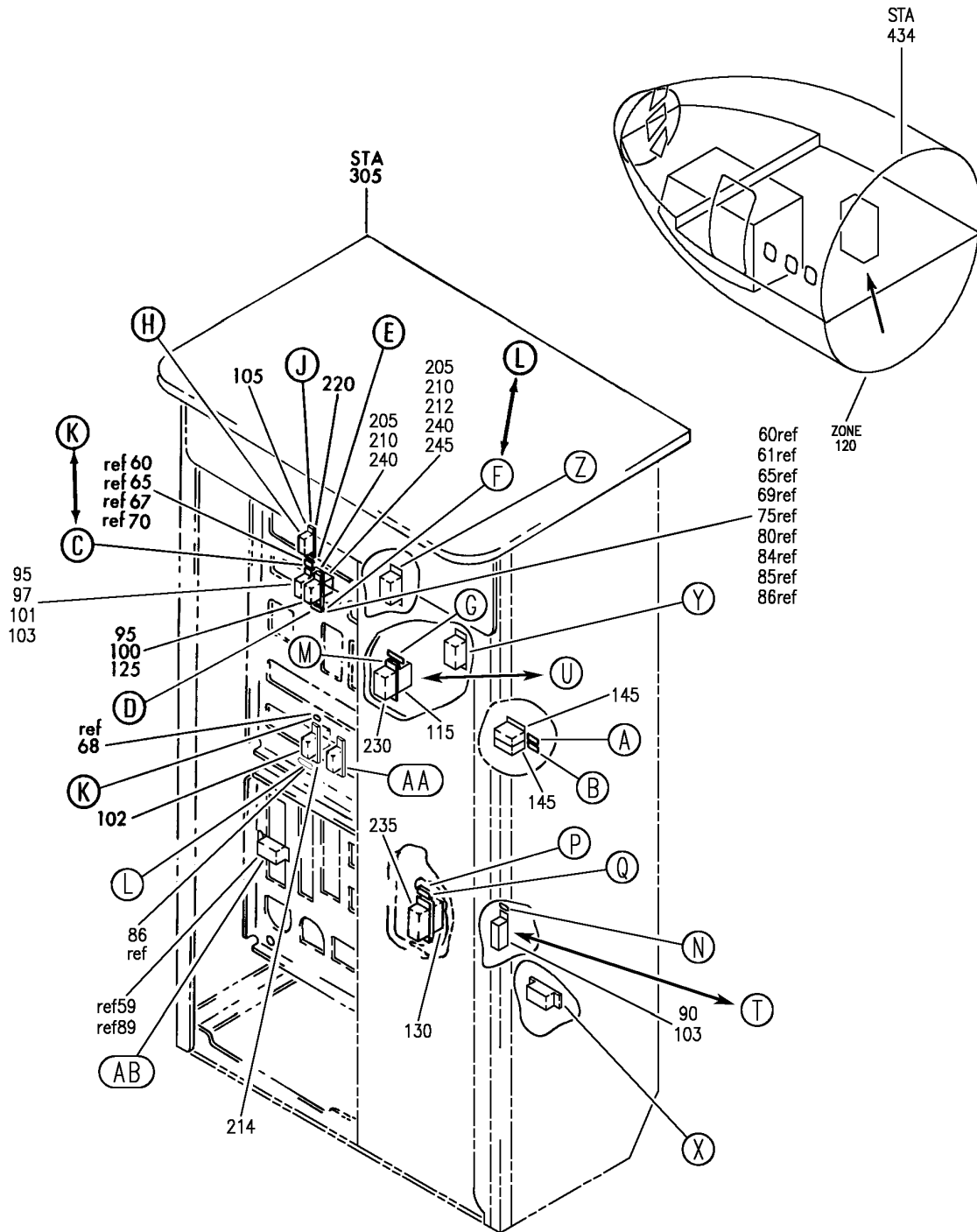
HXL

78-36-60-01

BOEING PROPRIETARY - Copyright © - Unpublished Work - See title page for details.

78-36-60
 FIG. 01
 PAGE 4
 APR 22/08

BOEING
767
PARTS CATALOG (MAINTENANCE)



V 78366501 SHT 1 REV 338

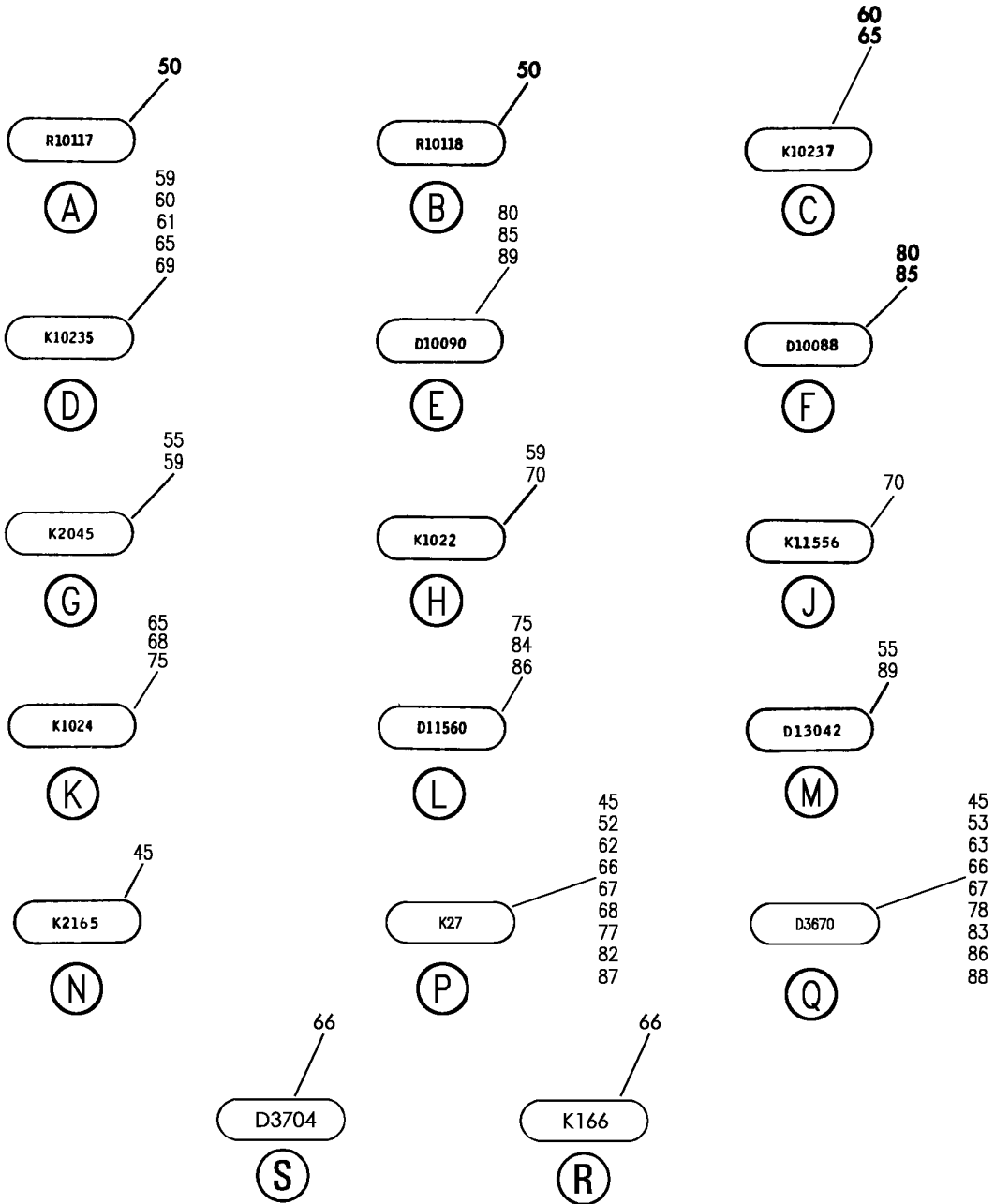
EQUIPMENT ASSY-P37 MISC ELEC PNL R (THRUST REVERSER POSITION INDICATING SYSTEM ONLY)
FIGURE 1 (SHEET 1)

78-36-65-01

HXL
APR 22/09

78-36-65-01
PAGE 0

BOEING
767
PARTS CATALOG (MAINTENANCE)



V 78366501 SH1 2 REV 338

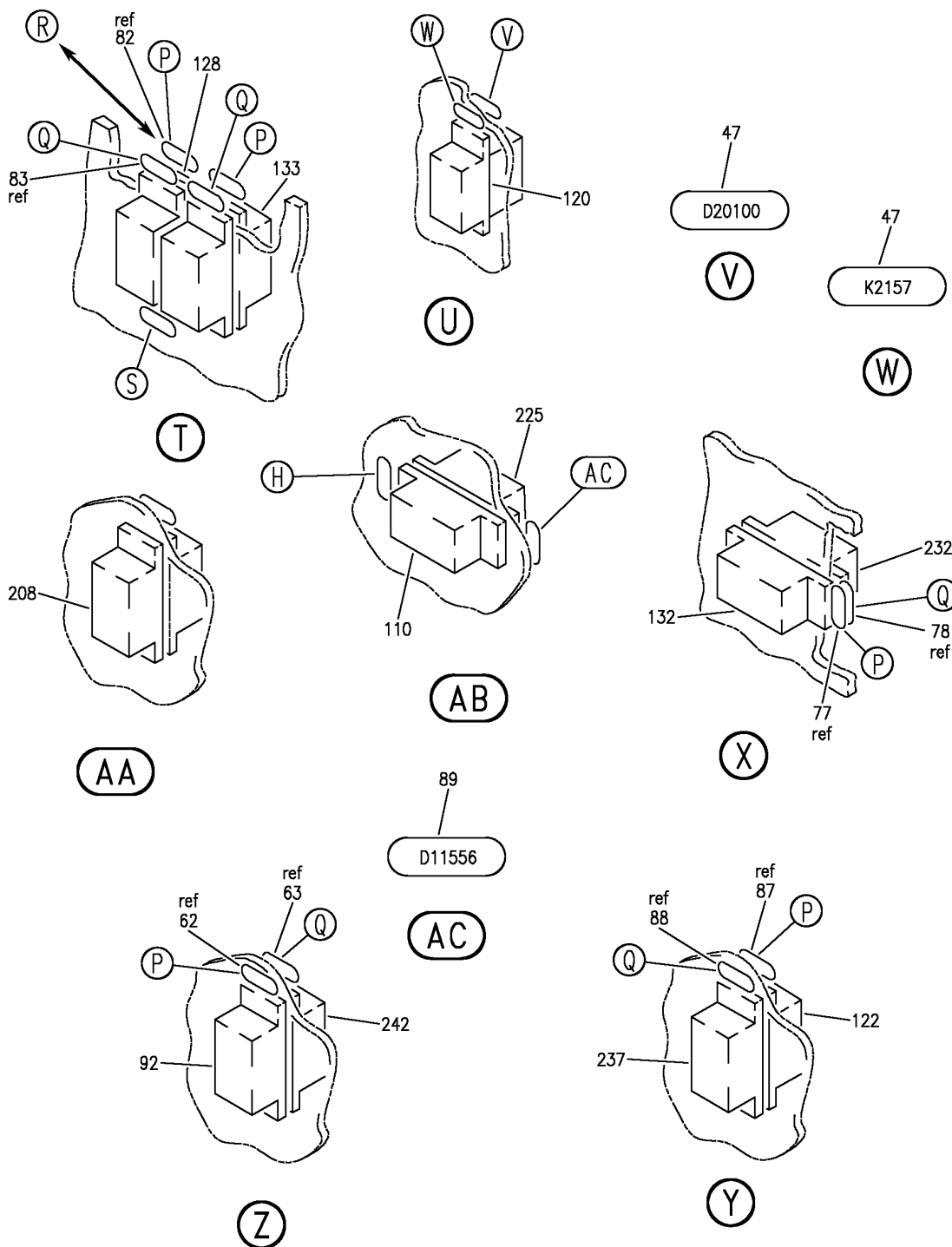
EQUIPMENT ASSY-P37 MISC ELEC PNL R (THRUST REVERSER POSITION INDICATING SYSTEM ONLY)
FIGURE 1 (SHEET 2)

78-36-65-01

HXL
APR 22/09

78-36-65-01
PAGE 0A

BOEING
767
PARTS CATALOG (MAINTENANCE)



V 78366501 SHT 3 REV 338

EQUIPMENT ASSY-P37 MISC ELEC PNL R (THRUST REVERSER POSITION INDICATING SYSTEM ONLY)
FIGURE 1 (SHEET 3)

78-36-65-01

HXL
APR 22/09

78-36-65-01
PAGE 08

BOEING PROPRIETARY - Copyright © - Unpublished Work - See title page for details.



767

PARTS CATALOG (MAINTENANCE)

| FIG ITEM | PART NUMBER | 1 2 3 4 5 6 7 | NOMENCLATURE | EFFECT FROM TO | UNITS PER ASSY |
|---|--------------|---------------|---|----------------|----------------|
| 1 | | | EQUIPMENT ASSY-P37 MISC ELEC PNL R (THRUST REVERSER POSITION INDICATING SYSTEM ONLY) | | |
| - 9 | 284T0188-157 | | EQUIPMENT ASSY-P37 MISC ELEC PNL (THRUST REVERSER POSITION INDICATING SYSTEM ONLY) POSITION DATA: R FOR NHA/OTHER SYS DET SEE: 53-11-70-05 | 155162 | RF |
| - 10 | 284T0188-172 | | EQUIPMENT ASSY-P37 MISC ELEC PNL (THRUST REVERSER POSITION INDICATING SYSTEM ONLY) POSITION DATA: R FOR NHA/OTHER SYS DET SEE: 53-11-70-05 | 163163 | RF |
| - 11 | 284T0188-194 | | EQUIPMENT ASSY-P37 MISC ELEC PNL (THRUST REVERSER POSITION INDICATING SYSTEM ONLY) POSITION DATA: R FOR NHA/OTHER SYS DET SEE: 53-11-70-05 | 164999 | RF |
| 45 | BAC27TEX4937 | | .DECALSET-INCLUDES DECALS IDENTIFIED ON THE ILLUSTRATION POST SERVICE BULLETIN: 78-0051 | | RF |
| 50 | BAC27TEX4183 | | .DECALSET-INCLUDES DECALS IDENTIFIED ON THE ILLUSTRATION | | RF |
| 65 | BAC27TEX4185 | | .DECALSET-INCLUDES DECALS IDENTIFIED ON THE ILLUSTRATION OPTIONAL PART: BAC27TEX3789 | | RF |
| 70 | BAC27TEX3789 | | .DECALSET-INCLUDES DECALS IDENTIFIED ON THE ILLUSTRATION OPTIONAL PART: BAC27TEX4185 BAC27TEX4184 | | RF |
| ILLUSTRATION ITEMS NOT ON PARTS LIST ARE NOT APPLICABLE | | | | | |

- ITEM NOT ILLUSTRATED

78-36-65-01

78-36-65
FIG. 01
PAGE 1
DEC 22/07

HXL



767

PARTS CATALOG (MAINTENANCE)

| FIG ITEM | PART NUMBER | 1 2 3 4 5 6 7 | NOMENCLATURE | EFFECT FROM TO | UNITS PER ASSY |
|----------|-----------------|---------------|--|----------------|----------------|
| 1 | 75 BAC27TEX3789 | | .DECALSET-INCLUDES DECALS IDENTIFIED ON THE ILLUSTRATION OPTIONAL PART: BAC27TEX4185 BAC27TEX4184 | | RF |
| | 84 BAC27TEX4190 | | .DECALSET-INCLUDES DECALS IDENTIFIED ON THE ILLUSTRATION | | RF |
| | 85 BAC27TEX4190 | | .DECALSET-INCLUDES DECALS IDENTIFIED ON THE ILLUSTRATION | | RF |
| | 90 E410-1537 | | .RELAY- SUPPLIER CODE: V99699 SPECIFICATION NUMBER: BACR13CG2A OPTIONAL PART: E415-1078 V99699 BR230S0116 V56623 KD4A017 V58687 FCA410-62 V78290 ELECTRICAL EQUIP NUMBER: K02165 POST SERVICE BULLETIN: 78-0051 | | 1 |
| | 95 W260F4AM11 | | .RELAY- SUPPLIER CODE: VF0219 SPECIFICATION NUMBER: BACR13CD2 OPTIONAL PART: BR16S233 V09026 EE4AA005 V35344 3SAV1338A2 V01526 HFW1206K03 V58614 HFW1204K01 V71482 ELECTRICAL EQUIP NUMBER: K10235 K10237 | | 2 |

ILLUSTRATION ITEMS NOT ON PARTS LIST ARE NOT APPLICABLE

- ITEM NOT ILLUSTRATED

HXL

78-36-65-01

BOEING PROPRIETARY - Copyright © - Unpublished Work - See title page for details.

78-36-65
FIG. 01
PAGE 2
DEC 22/07



767

PARTS CATALOG (MAINTENANCE)

| FIG ITEM | PART NUMBER | 1 2 3 4 5 6 7 | NOMENCLATURE | EFFECT FROM TO | UNITS PER ASSY |
|----------|--------------|---------------|---|----------------|----------------|
| 1 115 | E210-1631 | | .RELAY- SUPPLIER CODE: V99699 SPECIFICATION NUMBER: BACR13CF2A OPTIONAL PART: BR246S0112 V56623 FCA210-70 V78290 E215-1050 V99699 JD4A017 V35344 BR64S104 V56623 61GB19-1A320 V98927 ELECTRICAL EQUIP NUMBER: K02045 | | 1 |
| 145 | YHLZD30 | | .DIODE- SUPPLIER CODE: V09922 ELECTRICAL EQUIP NUMBER: R10117 R10118 OPTIONAL PART: YHLZD9 V09922 | | 2 |
| 145 | YHLZD9 | | .DIODE- SUPPLIER CODE: V09922 ELECTRICAL EQUIP NUMBER: R10117 R10118 OPTIONAL PART: YHLZD30 V09922 | | 2 |
| - 200 | 286T0192-300 | | .WIRE BUNDLE ASSY- | | RF |

ILLUSTRATION ITEMS NOT ON PARTS LIST ARE NOT APPLICABLE

- ITEM NOT ILLUSTRATED

HXL

78-36-65-01

BOEING PROPRIETARY - Copyright © - Unpublished Work - See title page for details.

78-36-65
FIG. 01
PAGE 3
DEC 22/07



767

PARTS CATALOG (MAINTENANCE)

| FIG ITEM | PART NUMBER | 1 2 3 4 5 6 7 | NOMENCLATURE | EFFECT FROM TO | UNITS PER ASSY |
|-------------|----------------|---------------|---|-------------------|----------------------|
| 1 205 | RSE120026 | | .. SOCKET- SUPPLIER CODE: V58982 SPECIFICATION NUMBER: BACS16AG1 OPTIONAL PART: 451120-026 V58982 ELECTRICAL EQUIP NUMBER: D10088 D10090 WIRING DIAGRAM REF: 783621 | | 2 |
| 230 | BACS16X1 | | .. SOCKET- ELECTRICAL EQUIP NUMBER: D13042 WIRING DIAGRAM REF: 783621 | | 1 |
| - 315 | 289T0247-11212 | | .. TAPE-IDENT POST SERVICE BULLETIN: 78-0062R5 | | 1 |

ILLUSTRATION ITEMS NOT ON PARTS LIST ARE NOT APPLICABLE

- ITEM NOT ILLUSTRATED

HXL

78-36-65-01

BOEING PROPRIETARY - Copyright © - Unpublished Work - See title page for details.

78-36-65
 FIG. 01
 PAGE 4
 DEC 22/07