

CHAPTER

71

POWER PLANT



CHAPTER 71
POWER PLANT

CH-SC-SU	Schem	Page	Sheet	Date	CH-SC-SU	Schem	Page	Sheet	Date
71-EFFECTIVE PAGES									
		1		Aug 05/2009					
		2		BLANK					
71-CONTENTS									
		1		Jun 28/2006					
		2		BLANK					
71-ALPHABETICAL INDEX									
		1		Jun 28/2006					
		2		BLANK					
71-00-00									
		101		Jan 21/2005					
71-00-01									
		101	1	Jan 21/2005					
			2	Jan 21/2005					

A = Added, R = Revised, D = Deleted, O = Overflow

71-EFFECTIVE PAGES



CHAPTER 71
POWER PLANT

Title	CH-SC-SU	Schem	Page	Sheet	Date	Effectivity
POWER PLANT						
ENGINE SIMPLIFIED	71-00-00		101		Jan 21/2005	ALL
ENGINE QUICK DISCONNECTS	71-00-01		101	1	Jan 21/2005	ALL
				2	Jan 21/2005	ALL

CHAPTER 71
POWER PLANT

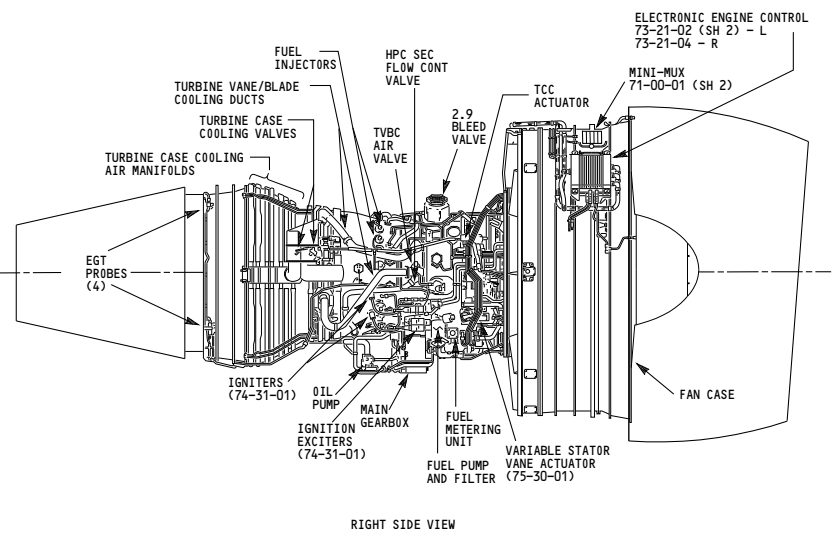
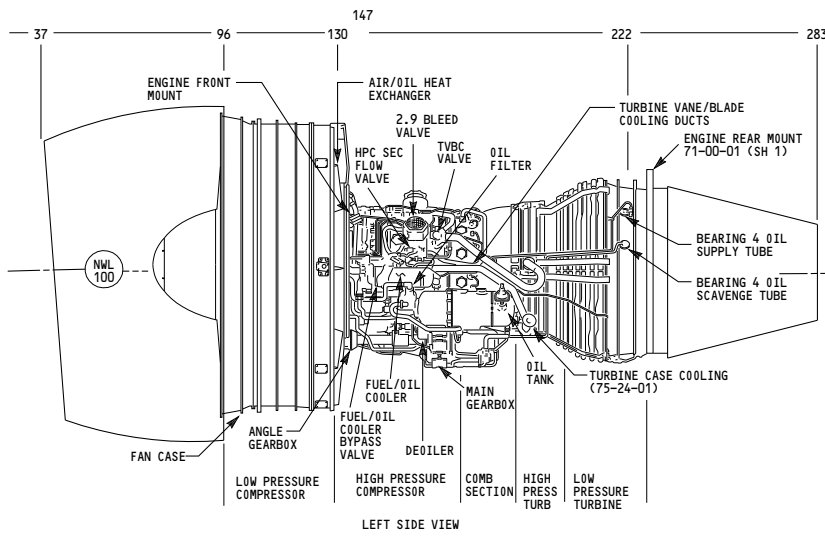
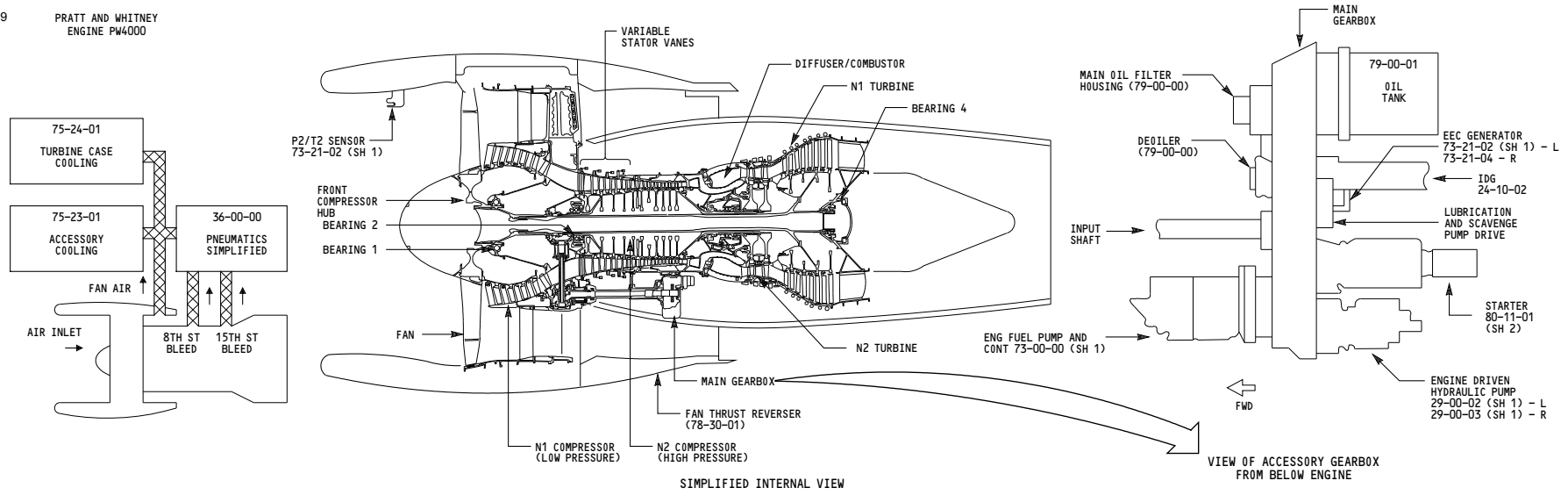
CH-SC-SU	Title
71-00-01	ENGINE QUICK DISCONNECTS
71-00-00	ENGINE SIMPLIFIED

CH-SC-SU	Title
----------	-------

71-ALPHABETICAL INDEX

609

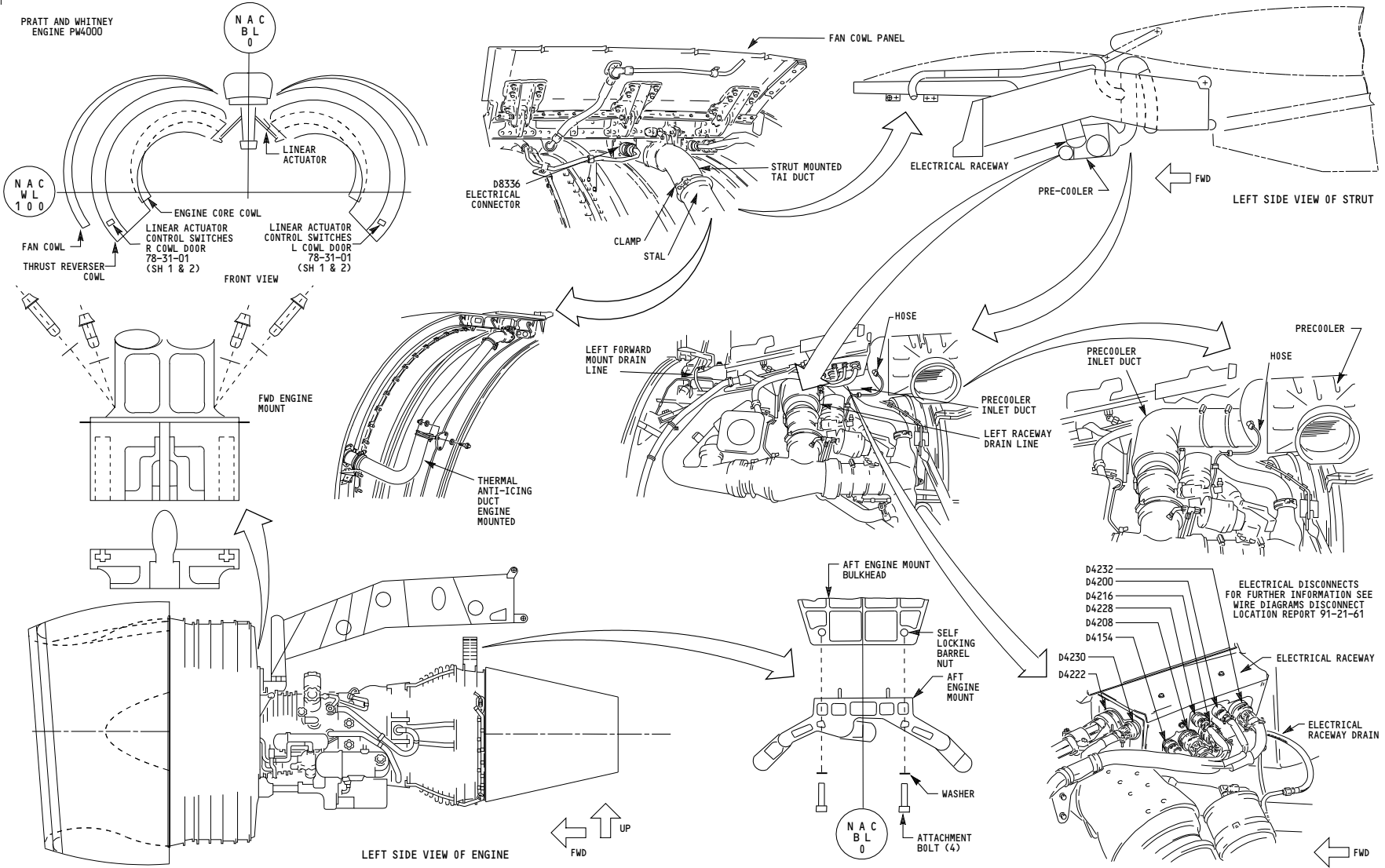
PRATT AND WHITNEY
ENGINE PW4000



ALL	<p align="center">ENGINE SIMPLIFIED</p> <p align="center">D280T232</p>
-----	---

71-00-00

608 PRATT AND WHITNEY
ENGINE PW4000

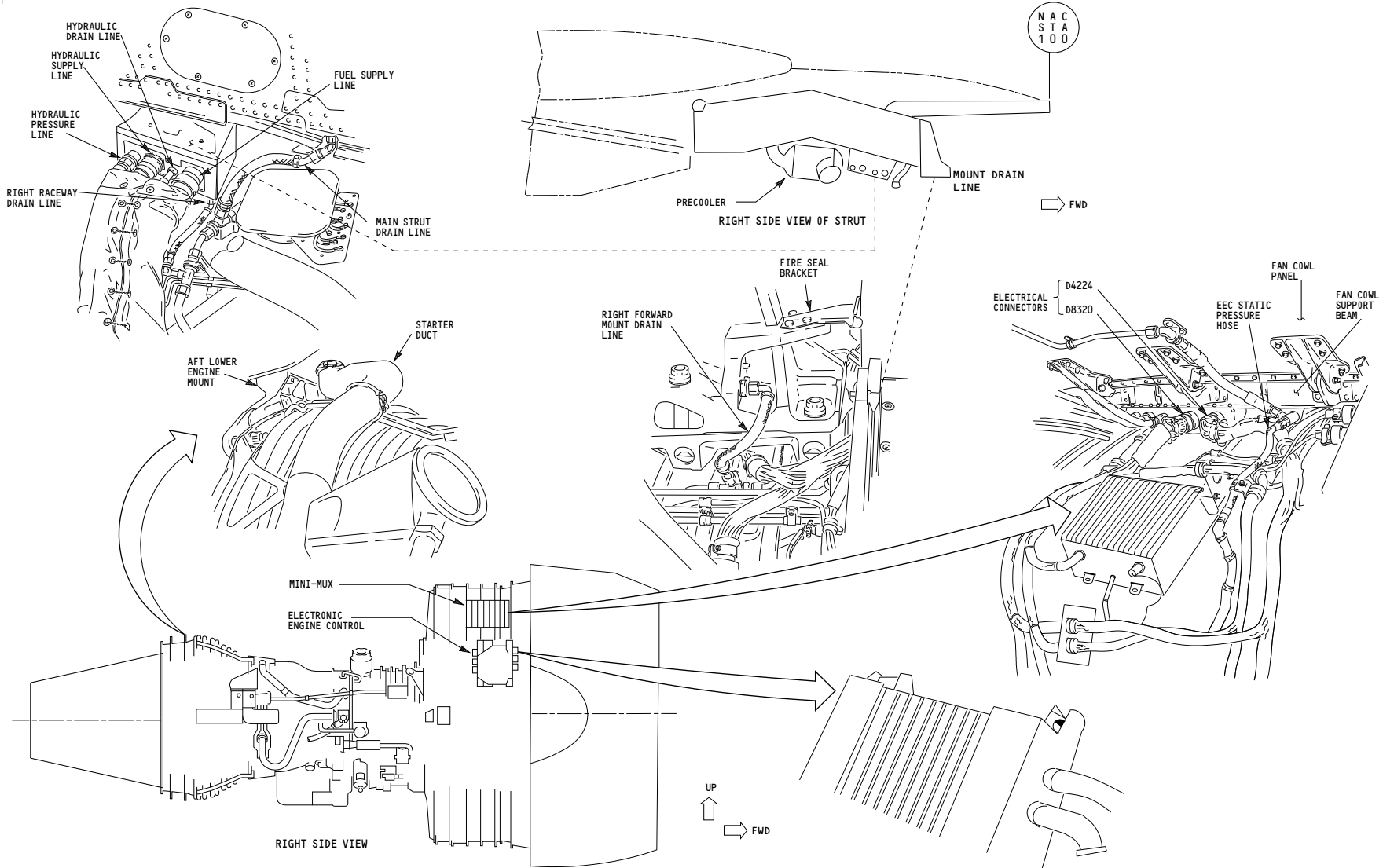


ALL	<p>ENGINE QUICK DISCONNECTS</p> <p>D280T232</p>
-----	--

71-00-01

608

N A C
S T A
1 0 0



ALL	<p>ENGINE QUICK DISCONNECTS</p> <p>D280T232</p>
-----	--

71-00-01

Page 101
Sheet 2
Jan 21/2005