

CHAPTER

33

LIGHTS



767-200/300

WIRING DIAGRAM MANUAL

CHAPTER 33
LIGHTS

| CH-SC-SU | Schem | Page | Sheet | Date | CH-SC-SU | Schem | Page | Sheet | Date |
|-----------------------|-------|----------|-------|-------------|------------------|-------|------|-------|-------------|
| 33-EFFECTIVE PAGES | | | | | 33-13-11 (cont.) | | | | |
| | | 1 thru 8 | | Aug 05/2009 | 4A | | | 2 | Jan 21/2005 |
| 33-CONTENTS | | | | | 33-13-13 | | | | |
| | | 1 | | Jun 28/2006 | 1A | 1 | | 1 | Jan 21/2005 |
| | | 2 | | Jun 28/2006 | | 2 | | 2 | Jan 21/2005 |
| | | 3 | | Jun 28/2006 | 2A | 1 | | 1 | Jan 21/2005 |
| | | 4 | | Jun 28/2006 | | 2 | | 2 | Jan 21/2005 |
| | | 5 | | Jun 28/2006 | 3A | 1 | | 1 | Jan 21/2005 |
| | | 6 | | Jun 28/2006 | | 2 | | 2 | Jan 21/2005 |
| | | 7 | | Jun 28/2006 | 4A | 1 | | 1 | Jan 21/2005 |
| | | 8 | | Jun 28/2006 | | 2 | | 2 | Jan 21/2005 |
| | | 9 | | Jun 28/2006 | 33-13-16 | | | | |
| | | 10 | | Jun 28/2006 | 1 | 1 | | 1 | Jan 21/2005 |
| | | 11 | | Jun 28/2006 | | 2 | | 2 | Jan 21/2005 |
| | | 12 | | Jun 28/2006 | | 3 | | 3 | Jan 21/2005 |
| | | 13 | | Jun 28/2006 | | 4 | | 4 | Jan 21/2005 |
| | | 14 | | Jun 28/2006 | | 5 | | 5 | Jan 21/2005 |
| | | 15 | | Jun 28/2006 | 1.1 | 1 | | 1 | Jan 21/2005 |
| | | 16 | | Jun 28/2006 | | 2 | | 2 | Jan 21/2005 |
| | | 17 | | Jun 28/2006 | | 3 | | 3 | Jan 21/2005 |
| | | 18 | | Jun 28/2006 | | 4 | | 4 | Jan 21/2005 |
| | | 19 | | Jun 28/2006 | | 5 | | 5 | Jan 21/2005 |
| | | 20 | | Jun 28/2006 | 2.1A | 1 | | 1 | Jan 21/2005 |
| | | 21 | | Jun 28/2006 | | 2 | | 2 | Jan 21/2005 |
| | | 22 | | Jun 28/2006 | | 3 | | 3 | Jan 21/2005 |
| | | 23 | | Jun 28/2006 | | 4 | | 4 | Jan 21/2005 |
| | | 24 | | Jun 28/2006 | | 5 | | 5 | Jan 21/2005 |
| 33-ALPHABETICAL INDEX | | | | | 3 | 1 | | 1 | Jan 21/2005 |
| | | 1 | | Jan 21/2005 | | 2 | | 2 | Jan 21/2005 |
| | | 2 | | Jan 21/2005 | | 3 | | 3 | Jan 21/2005 |
| | | 3 | | Jan 21/2005 | | 4 | | 4 | Jan 21/2005 |
| | | 4 | | BLANK | | 5 | | 5 | Jan 21/2005 |
| 33-00-11 | | | | | 3.1 | 1 | | 1 | Jan 21/2005 |
| | | 1 | | Jan 21/2005 | | 2 | | 2 | Jan 21/2005 |
| 33-11-11 | | | | | | 3 | | 3 | Jan 21/2005 |
| | | 1 | | Jan 21/2005 | | 4 | | 4 | Jan 21/2005 |
| 33-11-13 | | | | | | 5 | | 5 | Jan 21/2005 |
| | | 1 | | Jan 21/2005 | 4A | 1 | | 1 | Mar 09/2006 |
| 33-11-14 | | | | | | 2 | | 2 | Mar 09/2006 |
| | | 1 | | Jan 21/2005 | | 3 | | 3 | Mar 09/2006 |
| 33-11-15 | | | | | | 4 | | 4 | Mar 09/2006 |
| | | 1 | | Jan 21/2005 | | 5 | | 5 | Mar 09/2006 |
| 33-11-16 | | | | | 4.1A | 1 | | 1 | Mar 09/2006 |
| | | 1 | | Jan 21/2005 | | 2 | | 2 | Mar 09/2006 |
| 33-13-11 | | | | | | 3 | | 3 | Mar 09/2006 |
| | | 1A | 1 | Jan 21/2005 | | 4 | | 4 | Mar 09/2006 |
| | | | 2 | Jan 21/2005 | | 5 | | 5 | Mar 09/2006 |
| | | 2A | 1 | Jan 21/2005 | 5.1A | 1 | | 1 | Mar 09/2006 |
| | | | 2 | Jan 21/2005 | | 2 | | 2 | Mar 09/2006 |
| | | 3A | 1 | Jan 21/2005 | | 3 | | 3 | Mar 09/2006 |
| | | | 2 | Jan 21/2005 | | 4 | | 4 | Mar 09/2006 |
| | | 4A | 1 | Jan 21/2005 | | 5 | | 5 | Mar 09/2006 |

A = Added, R = Revised, D = Deleted, O = Overflow

33-EFFECTIVE PAGES

Page 1
Aug 05/2009

D280T132



767-200/300

WIRING DIAGRAM MANUAL

CHAPTER 33
LIGHTS

| CH-SC-SU | Schem | Page | Sheet | Date | CH-SC-SU | Schem | Page | Sheet | Date |
|------------------|-------|------|-------|-------------|------------------|-------|------|-------|-------------|
| 33-13-16 (cont.) | | | | | 33-13-16 (cont.) | | | | |
| | 6A | | 1 | Mar 09/2006 | | | 10.1 | 2 | Mar 09/2006 |
| | | | 2 | Mar 09/2006 | | | | 3 | Mar 09/2006 |
| | | | 3 | Mar 09/2006 | | | | 4 | Mar 09/2006 |
| | | | 4 | Mar 09/2006 | | | | 5 | Mar 09/2006 |
| | | | 5 | Mar 09/2006 | 33-13-17 | | | | |
| | 6.1A | | 1 | Mar 09/2006 | | | 1 | | Jan 21/2005 |
| | | | 2 | Mar 09/2006 | 33-13-18 | | | | |
| | | | 3 | Mar 09/2006 | | | 1 | 1 | Jan 21/2005 |
| | | | 4 | Mar 09/2006 | | | | 2 | Jan 21/2005 |
| | | | 5 | Mar 09/2006 | | | 2A | 1 | Jan 21/2005 |
| | 6.2A | | 1 | Mar 09/2006 | | | | 2 | Jan 21/2005 |
| | | | 2 | Mar 09/2006 | | | 3A | 1 | Jan 21/2005 |
| | | | 3 | Mar 09/2006 | | | | 2 | Jan 21/2005 |
| | | | 4 | Mar 09/2006 | | | 4 | 1 | Jan 21/2005 |
| | | | 5 | Mar 09/2006 | | | | 2 | Jan 21/2005 |
| | 6.3A | | 1 | Mar 09/2006 | | | 5 | 1 | Jan 21/2005 |
| | | | 2 | Mar 09/2006 | | | | 2 | Jan 21/2005 |
| | | | 3 | Mar 09/2006 | 33-13-19 | | | | |
| | | | 4 | Mar 09/2006 | | | 1 | | Jan 21/2005 |
| | | | 5 | Mar 09/2006 | 33-13-21 | | | | |
| | 7.1A | | 1 | Mar 09/2006 | | | 1 | | Jan 21/2005 |
| | | | 2 | Mar 09/2006 | 33-14-11 | | | | |
| | | | 3 | Mar 09/2006 | | | 1 | | Jan 21/2005 |
| | | | 4 | Mar 09/2006 | 33-14-21 | | | | |
| | | | 5 | Mar 09/2006 | | | 1 | | Jan 21/2005 |
| | 8A | | 1 | Mar 09/2006 | 33-14-31 | | | | |
| | | | 2 | Mar 09/2006 | | | 1 | | Jan 21/2005 |
| | | | 3 | Mar 09/2006 | 33-16-11 | | | | |
| | | | 4 | Mar 09/2006 | | | 1 | 1 | Jan 21/2005 |
| | | | 5 | Mar 09/2006 | | | | 2 | Jan 21/2005 |
| | 8.1A | | 1 | Mar 09/2006 | | | 2 | 1 | Jan 21/2005 |
| | | | 2 | Mar 09/2006 | | | | 2 | Jan 21/2005 |
| | | | 3 | Mar 09/2006 | 33-16-12 | | | | |
| | | | 4 | Mar 09/2006 | | | 1 | 1 | Jan 21/2005 |
| | | | 5 | Mar 09/2006 | | | | 2 | Jan 21/2005 |
| | 8.2A | | 1 | Mar 09/2006 | | | | 3 | Jan 21/2005 |
| | | | 2 | Mar 09/2006 | | | 2A | 1 | Jan 21/2005 |
| | | | 3 | Mar 09/2006 | | | | 2 | Jan 21/2005 |
| | | | 4 | Mar 09/2006 | | | | 3 | Jan 21/2005 |
| | | | 5 | Mar 09/2006 | | | 3 | 1 | Jan 21/2005 |
| | 9 | | 1 | Mar 09/2006 | | | | 2 | Jan 21/2005 |
| | | | 2 | Mar 09/2006 | | | | 3 | Jan 21/2005 |
| | | | 3 | Mar 09/2006 | | | 4A | 1 | Jan 21/2005 |
| | | | 4 | Mar 09/2006 | | | | 2 | Jan 21/2005 |
| | | | 5 | Mar 09/2006 | | | | 3 | Jan 21/2005 |
| | 9.1 | | 1 | Mar 09/2006 | 33-16-13 | | | | |
| | | | 2 | Mar 09/2006 | | | 1 | | Jan 21/2005 |
| | | | 3 | Mar 09/2006 | | | 2A | | Jan 21/2005 |
| | | | 4 | Mar 09/2006 | 33-16-14 | | | | |
| | | | 5 | Mar 09/2006 | | | 1 | | Jan 21/2005 |
| | 10.1 | | 1 | Mar 09/2006 | | | | | |

A = Added, R = Revised, D = Deleted, O = Overflow

33-EFFECTIVE PAGES

D280T132

Page 2
Aug 05/2009



767-200/300

WIRING DIAGRAM MANUAL

CHAPTER 33
LIGHTS

| CH-SC-SU | Schem | Page | Sheet | Date | CH-SC-SU | Schem | Page | Sheet | Date |
|----------|-------|------|-------|-------------|------------------|-------|------|-------|-------------|
| 33-16-15 | | 1 | | Jan 21/2005 | 33-16-17 (cont.) | 5.1A | | 5 | Mar 09/2006 |
| | | 2 | | Jan 21/2005 | | | | 6 | Mar 09/2006 |
| 33-16-16 | | | | | | 6A | | 1 | Mar 09/2006 |
| | | 1 | | Jan 21/2005 | | | | 2 | Mar 09/2006 |
| 33-16-17 | | | | | | | | 3 | Mar 09/2006 |
| | | 1 | 1 | Jan 21/2005 | | | | 4 | Mar 09/2006 |
| | | | 2 | Jan 21/2005 | | | | 5 | Mar 09/2006 |
| | | | 3 | Jan 21/2005 | | | | 6 | Mar 09/2006 |
| | | | 4 | Jan 21/2005 | | 6.1A | | 1 | Mar 09/2006 |
| | | | 5 | Jan 21/2005 | | | | 2 | Mar 09/2006 |
| | | | 6 | Jan 21/2005 | | | | 3 | Mar 09/2006 |
| | 1.1 | | 1 | Jan 21/2005 | | | | 4 | Mar 09/2006 |
| | | | 2 | Jan 21/2005 | | | | 5 | Mar 09/2006 |
| | | | 3 | Jan 21/2005 | | | | 6 | Mar 09/2006 |
| | | | 4 | Jan 21/2005 | | 6.2A | | 1 | Mar 09/2006 |
| | | | 5 | Jan 21/2005 | | | | 2 | Mar 09/2006 |
| | | | 6 | Jan 21/2005 | | | | 3 | Mar 09/2006 |
| | 2.1A | | 1 | Jan 21/2005 | | | | 4 | Mar 09/2006 |
| | | | 2 | Jan 21/2005 | | | | 5 | Mar 09/2006 |
| | | | 3 | Jan 21/2005 | | | | 6 | Mar 09/2006 |
| | | | 4 | Jan 21/2005 | | 6.3A | | 1 | Mar 09/2006 |
| | | | 5 | Jan 21/2005 | | | | 2 | Mar 09/2006 |
| | | | 6 | Jan 21/2005 | | | | 3 | Mar 09/2006 |
| | 3 | | 1 | Jan 21/2005 | | | | 4 | Mar 09/2006 |
| | | | 2 | Jan 21/2005 | | | | 5 | Mar 09/2006 |
| | | | 3 | Jan 21/2005 | | | | 6 | Mar 09/2006 |
| | | | 4 | Jan 21/2005 | | 7.1A | | 1 | Mar 09/2006 |
| | | | 5 | Jan 21/2005 | | | | 2 | Mar 09/2006 |
| | | | 6 | Jan 21/2005 | | | | 3 | Mar 09/2006 |
| | 3.1 | | 1 | Jan 21/2005 | | | | 4 | Mar 09/2006 |
| | | | 2 | Jan 21/2005 | | | | 5 | Mar 09/2006 |
| | | | 3 | Jan 21/2005 | | | | 6 | Mar 09/2006 |
| | | | 4 | Jan 21/2005 | | 8A | | 1 | Mar 09/2006 |
| | | | 5 | Jan 21/2005 | | | | 2 | Mar 09/2006 |
| | | | 6 | Jan 21/2005 | | | | 3 | Mar 09/2006 |
| | 4A | | 1 | Mar 09/2006 | | | | 4 | Mar 09/2006 |
| | | | 2 | Mar 09/2006 | | | | 5 | Mar 09/2006 |
| | | | 3 | Mar 09/2006 | | | | 6 | Mar 09/2006 |
| | | | 4 | Mar 09/2006 | | 8.1A | | 1 | Mar 09/2006 |
| | | | 5 | Mar 09/2006 | | | | 2 | Mar 09/2006 |
| | | | 6 | Mar 09/2006 | | | | 3 | Mar 09/2006 |
| | 4.1A | | 1 | Mar 09/2006 | | | | 4 | Mar 09/2006 |
| | | | 2 | Mar 09/2006 | | | | 5 | Mar 09/2006 |
| | | | 3 | Mar 09/2006 | | | | 6 | Mar 09/2006 |
| | | | 4 | Mar 09/2006 | | 8.2A | | 1 | Mar 09/2006 |
| | | | 5 | Mar 09/2006 | | | | 2 | Mar 09/2006 |
| | | | 6 | Mar 09/2006 | | | | 3 | Mar 09/2006 |
| | 5.1A | | 1 | Mar 09/2006 | | | | 4 | Mar 09/2006 |
| | | | 2 | Mar 09/2006 | | | | 5 | Mar 09/2006 |
| | | | 3 | Mar 09/2006 | | | | 6 | Mar 09/2006 |
| | | | 4 | Mar 09/2006 | | | | 9 | Mar 09/2006 |

A = Added, R = Revised, D = Deleted, O = Overflow

33-EFFECTIVE PAGES

Page 3
Aug 05/2009

D280T132



767-200/300

WIRING DIAGRAM MANUAL

CHAPTER 33
LIGHTS

| CH-SC-SU | Schem | Page | Sheet | Date | CH-SC-SU | Schem | Page | Sheet | Date |
|------------------|-------|------|-------|-------------|------------------|-------|------|-------|-------------|
| 33-16-17 (cont.) | | 9 | | | 33-21-11 (cont.) | | 4 | | |
| | | | 2 | Mar 09/2006 | | | | 4 | Jan 21/2005 |
| | | | 3 | Mar 09/2006 | | 5.1A | | 1 | Jan 21/2005 |
| | | | 4 | Mar 09/2006 | | | | 2 | Jan 21/2005 |
| | | | 5 | Mar 09/2006 | | | | 3 | Jan 21/2005 |
| | | | 6 | Mar 09/2006 | | | | 4 | Jan 21/2005 |
| | 9.1 | | 1 | Mar 09/2006 | | | | 5 | Jan 21/2005 |
| | | | 2 | Mar 09/2006 | | | | 6 | Jan 21/2005 |
| | | | 3 | Mar 09/2006 | | | | 7 | Jan 21/2005 |
| | | | 4 | Mar 09/2006 | 33-21-12 | | | | |
| | | | 5 | Mar 09/2006 | | 1A | | 1 | Jan 21/2005 |
| | | | 6 | Mar 09/2006 | | | | 2 | Jan 21/2005 |
| | 10.1 | | 1 | Mar 09/2006 | | 2 | | 1 | Jan 21/2005 |
| | | | 2 | Mar 09/2006 | | | | 2 | Jan 21/2005 |
| | | | 3 | Mar 09/2006 | | 3 | | | Jan 21/2005 |
| | | | 4 | Mar 09/2006 | | 4 | | | Jan 21/2005 |
| | | | 5 | Mar 09/2006 | 33-21-13 | | | | |
| | | | 6 | Mar 09/2006 | | 1 | | 1 | Jan 21/2005 |
| 33-16-18 | | | | | | | | 2 | Jan 21/2005 |
| | 1 | | 1 | Jan 21/2005 | | 2 | | 1 | Jan 21/2005 |
| | | | 2 | Jan 21/2005 | | | | 2 | Jan 21/2005 |
| | 2 | | 1 | Jan 21/2005 | | 3 | | 1 | Jan 21/2005 |
| | | | 2 | Jan 21/2005 | | | | 2 | Jan 21/2005 |
| | 3A | | 1 | Jan 21/2005 | | 4 | | 1 | Jan 21/2005 |
| | | | 2 | Jan 21/2005 | | | | 2 | Jan 21/2005 |
| | 4 | | 1 | Jan 21/2005 | 33-21-14 | | | | |
| | | | 2 | Jan 21/2005 | | 1 | | 1 | Jan 21/2005 |
| | 5 | | 1 | Jan 21/2005 | | | | 2 | Jan 21/2005 |
| | | | 2 | Jan 21/2005 | | 2 | | 1 | Jan 21/2005 |
| 33-16-21 | | | | | | | | 2 | Jan 21/2005 |
| | 1 | | | Jan 21/2005 | | | | 3 | Jan 21/2005 |
| 33-16-22 | | | | | | 3 | | 1 | Jan 21/2005 |
| | 1 | | 1 | Jan 21/2005 | | | | 2 | Jan 21/2005 |
| | | | 2 | Jan 21/2005 | | | | 3 | Jan 21/2005 |
| | | | 3 | Jan 21/2005 | | 4 | | 1 | Jan 21/2005 |
| 33-16-26 | | | | | | | | 2 | Jan 21/2005 |
| | 1 | | | Jan 21/2005 | | | | 3 | Jan 21/2005 |
| 33-21-11 | | | | | 33-21-21 | | | | |
| | 1A | | 1 | Jan 21/2005 | | 1A | | 1 | Jan 21/2005 |
| | | | 2 | Jan 21/2005 | | | | 2 | Jan 21/2005 |
| | | | 3 | Jan 21/2005 | | 2A | | 1 | Jan 21/2005 |
| | 2 | | 1 | Jan 21/2005 | | | | 2 | Jan 21/2005 |
| | | | 2 | Jan 21/2005 | | 3 | | 1 | Jan 21/2005 |
| | | | 3 | Jan 21/2005 | | | | 2 | Jan 21/2005 |
| | | | 4 | Jan 21/2005 | | 4A | | 1 | Jan 21/2005 |
| | 3.1A | | 1 | Jan 21/2005 | | | | 2 | Jan 21/2005 |
| | | | 2 | Jan 21/2005 | | 5 | | 1 | Jan 21/2005 |
| | | | 3 | Jan 21/2005 | | | | 2 | Jan 21/2005 |
| | | | 4 | Jan 21/2005 | | 6 | | 1 | Jan 21/2005 |
| | 4 | | 1 | Jan 21/2005 | | | | 2 | Jan 21/2005 |
| | | | 2 | Jan 21/2005 | 33-21-31 | | | | |
| | | | 3 | Jan 21/2005 | | 1A | | 1 | Jan 21/2005 |

A = Added, R = Revised, D = Deleted, O = Overflow

33-EFFECTIVE PAGES

D280T132

Page 4
Aug 05/2009



767-200/300

WIRING DIAGRAM MANUAL

CHAPTER 33
LIGHTS

| CH-SC-SU | Schem | Page | Sheet | Date | CH-SC-SU | Schem | Page | Sheet | Date |
|------------------|-------|------|-------|-------------|------------------|-------|------|-------|-------------|
| 33-21-31 (cont.) | 1A | | 2 | Jan 21/2005 | 33-21-33 (cont.) | 2A | | 2 | Jan 21/2005 |
| | | | 3 | Jan 21/2005 | | | 3 | 1 | Jan 21/2005 |
| | | | 4 | Jan 21/2005 | | | | 2 | Jan 21/2005 |
| | 2A | | 1 | Jan 21/2005 | | 4A | | 1 | Jan 21/2005 |
| | | | 2 | Jan 21/2005 | | | | 2 | Jan 21/2005 |
| | | | 3 | Jan 21/2005 | | 5A | | 1 | Jan 21/2005 |
| | 3A | | 1 | Jan 21/2005 | | | | 2 | Jan 21/2005 |
| | | | 2 | Jan 21/2005 | | 6 | | 1 | Jan 21/2005 |
| | | | 3 | Jan 21/2005 | | | | 2 | Jan 21/2005 |
| | 4A | | 1 | Jan 21/2005 | | 7 | | 1 | Jan 21/2005 |
| | | | 2 | Jan 21/2005 | | | | 2 | Jan 21/2005 |
| | | | 3 | Jan 21/2005 | | 8 | | 1 | Jan 21/2005 |
| | 5A | | 1 | Jan 21/2005 | | | | 2 | Jan 21/2005 |
| | | | 2 | Jan 21/2005 | | 9 | | 1 | Jan 21/2005 |
| | | | 3 | Jan 21/2005 | | | | 2 | Jan 21/2005 |
| | 6A | | 1 | Jan 21/2005 | 33-21-34 | | | | |
| | | | 2 | Jan 21/2005 | | 1 | | 1 | Jan 21/2005 |
| | | | 3 | Jan 21/2005 | | | | 2 | Jan 21/2005 |
| | | | 4 | Jan 21/2005 | | | | 3 | Jan 21/2005 |
| | 7A | | 1 | Jan 21/2005 | | 2A | | 1 | Jan 21/2005 |
| | | | 2 | Jan 21/2005 | | | | 2 | Jan 21/2005 |
| | | | 3 | Jan 21/2005 | | | | 3 | Jan 21/2005 |
| | | | 4 | Jan 21/2005 | | 3A | | 1 | Jan 21/2005 |
| | 8A | | 1 | Jan 21/2005 | | | | 2 | Jan 21/2005 |
| | | | 2 | Jan 21/2005 | | | | 3 | Jan 21/2005 |
| | | | 3 | Jan 21/2005 | | 4 | | 1 | Jan 21/2005 |
| | | | 4 | Jan 21/2005 | | | | 2 | Jan 21/2005 |
| | 9 | | | Jan 21/2005 | | | | 3 | Jan 21/2005 |
| | 10 | | | Jan 21/2005 | | 5 | | 1 | Jan 21/2005 |
| | | | | | | | | 2 | Jan 21/2005 |
| 33-21-32 | | | | | | | | 3 | Jan 21/2005 |
| | 1 | | 1 | Jan 21/2005 | | 6 | | 1 | Jan 21/2005 |
| | | | 2 | Jan 21/2005 | | | | 2 | Jan 21/2005 |
| | 2A | | 1 | Jan 21/2005 | | | | 3 | Jan 21/2005 |
| | | | 2 | Jan 21/2005 | | | | 3 | Jan 21/2005 |
| | 3 | | 1 | Jan 21/2005 | | 7 | | 1 | Jan 21/2005 |
| | | | 2 | Jan 21/2005 | | | | 2 | Jan 21/2005 |
| | 4A | | 1 | Jan 21/2005 | | | | 3 | Jan 21/2005 |
| | | | 2 | Jan 21/2005 | 33-21-35 | | | | |
| | 5A | | 1 | Jan 21/2005 | | 1 | | 1 | Jan 21/2005 |
| | | | 2 | Jan 21/2005 | | | | 2 | Jan 21/2005 |
| | 6A | | 1 | Jan 21/2005 | | | | 3 | Jan 21/2005 |
| | | | 2 | Jan 21/2005 | | 2 | | 1 | Jan 21/2005 |
| | 7A | | 1 | Jan 21/2005 | | | | 2 | Jan 21/2005 |
| | | | 2 | Jan 21/2005 | | | | 3 | Jan 21/2005 |
| | 8 | | 1 | Jan 21/2005 | | 3 | | 1 | Jan 21/2005 |
| | | | 2 | Jan 21/2005 | | | | 2 | Jan 21/2005 |
| | 9 | | 1 | Jan 21/2005 | | | | 3 | Jan 21/2005 |
| | | | 2 | Jan 21/2005 | | 4 | | 1 | Jan 21/2005 |
| 33-21-33 | | | | | | | | 2 | Jan 21/2005 |
| | 1A | | | Jan 21/2005 | | | | 3 | Jan 21/2005 |
| | 2A | | 1 | Jan 21/2005 | | 5 | | 1 | Jan 21/2005 |

A = Added, R = Revised, D = Deleted, O = Overflow

33-EFFECTIVE PAGES

Page 5
Aug 05/2009

D280T132



**767-200/300
WIRING DIAGRAM MANUAL**

**CHAPTER 33
LIGHTS**

| CH-SC-SU | Schem | Page | Sheet | Date | CH-SC-SU | Schem | Page | Sheet | Date | |
|------------------|-------|------|-------|-------------|------------------|-------|------|-------|-------------|-------------|
| 33-21-35 (cont.) | | 5 | | | 33-22-42 (cont.) | | 4 | | | |
| | | | 2 | Jan 21/2005 | | | | 3 | Jan 21/2005 | |
| | | | 3 | Jan 21/2005 | | | | 4 | Jan 21/2005 | |
| 33-22-11 | | | | | | | 5 | 1 | Jan 21/2005 | |
| | 1 | 1 | 1 | Jan 21/2005 | | | | 2 | Jan 21/2005 | |
| | | | 2 | Jan 21/2005 | | | | 3 | Jan 21/2005 | |
| | 2 | 1 | 1 | Jan 21/2005 | | | | 4 | Jan 21/2005 | |
| | | | 2 | Jan 21/2005 | 33-23-11 | | | | | |
| | 3 | 1 | 1 | Jan 21/2005 | | | 1 | | Jan 21/2005 | |
| | | | 2 | Jan 21/2005 | 33-24-11 | | | | | |
| | 4 | 1 | 1 | Jan 21/2005 | | | 1 | 1 | Jan 21/2005 | |
| | | | 2 | Jan 21/2005 | | | | 2 | Jan 21/2005 | |
| | 5 | 1 | 1 | Jan 21/2005 | | | 2A | 1 | Jan 21/2005 | |
| | | | 2 | Jan 21/2005 | | | | 2 | Jan 21/2005 | |
| 33-22-21 | | | | | | | | 3 | 1 | Jan 21/2005 |
| | 1 | | | Jan 21/2005 | | | | 2 | Jan 21/2005 | |
| | 2A | | | Jan 21/2005 | | | 4 | 1 | Jan 21/2005 | |
| | 3 | | | Jan 21/2005 | | | | 2 | Jan 21/2005 | |
| | 4A | | | Jan 21/2005 | | | 5 | 1 | Jan 21/2005 | |
| | 5 | | | Jan 21/2005 | | | | 2 | Jan 21/2005 | |
| | 6 | | | Jan 21/2005 | | | 6 | 1 | Jan 21/2005 | |
| 33-22-31 | | | | | | | | 2 | Jan 21/2005 | |
| | 1 | | | Jan 21/2005 | 33-24-12 | | | | | |
| | 2 | | | Jan 21/2005 | | | 1 | 1 | Jan 21/2005 | |
| | 3 | | | Jan 21/2005 | | | | 2 | Jan 21/2005 | |
| | 4 | 1 | 1 | Jan 21/2005 | | | 2 | 1 | Jan 21/2005 | |
| | | | 2 | Jan 21/2005 | | | | 2 | Jan 21/2005 | |
| 33-22-32 | | | | | | | | 3 | 1 | Jan 21/2005 |
| | 1A | | | Jan 21/2005 | | | | 2 | Jan 21/2005 | |
| | 2A | | | Jan 21/2005 | | | 4 | 1 | Jan 21/2005 | |
| | 3 | | | Jan 21/2005 | | | | 2 | Jan 21/2005 | |
| | 4A | | | Jan 21/2005 | | | 5 | 1 | Jan 21/2005 | |
| 33-22-33 | | | | | | | | 2 | Jan 21/2005 | |
| | 1 | | | Jan 21/2005 | 33-24-13 | | | | | |
| 33-22-41 | | | | | | | | 1 | 1 | Jan 21/2005 |
| | 1 | 1 | 1 | Jan 21/2005 | | | | 2 | Jan 21/2005 | |
| | | | 2 | Jan 21/2005 | | | 2 | 1 | Jan 21/2005 | |
| | 2A | 1 | 1 | Jan 21/2005 | | | | 2 | Jan 21/2005 | |
| | | | 2 | Jan 21/2005 | | | 3 | 1 | Jan 21/2005 | |
| | 3 | 1 | 1 | Jan 21/2005 | | | | 2 | Jan 21/2005 | |
| | | | 2 | Jan 21/2005 | | | 4 | 1 | Jan 21/2005 | |
| | 4 | | | Jan 21/2005 | | | | 2 | Jan 21/2005 | |
| 33-22-42 | | | | | | | | 5 | 1 | Jan 21/2005 |
| | 1 | 1 | 1 | Jan 21/2005 | | | | 2 | Jan 21/2005 | |
| | | | 2 | Jan 21/2005 | | | | 6 | 1 | Jan 21/2005 |
| | | | 3 | Jan 21/2005 | | | | 2 | Jan 21/2005 | |
| | 2A | 1 | 1 | Jan 21/2005 | 33-24-14 | | | | | |
| | | | 2 | Jan 21/2005 | | | 1 | 1 | Jan 21/2005 | |
| | 3 | 1 | 1 | Jan 21/2005 | | | | 2 | Jan 21/2005 | |
| | | | 2 | Jan 21/2005 | | | | 1 | Jan 21/2005 | |
| | 4 | 1 | 1 | Jan 21/2005 | | | 2 | 1 | Jan 21/2005 | |
| | | | 2 | Jan 21/2005 | | | | 2 | Jan 21/2005 | |
| | | | | | | | 3 | 1 | Jan 21/2005 | |

A = Added, R = Revised, D = Deleted, O = Overflow

33-EFFECTIVE PAGES

Page 6
Aug 05/2009

D280T132



767-200/300

WIRING DIAGRAM MANUAL

CHAPTER 33
LIGHTS

| CH-SC-SU | Schem | Page | Sheet | Date | CH-SC-SU | Schem | Page | Sheet | Date |
|------------------|-------|------|-------|-------------|------------------|-------|------|-------|-------------|
| 33-24-14 (cont.) | | 3 | | | 33-26-21 (cont.) | | | | |
| | | | 2 | Jan 21/2005 | | | 11 | | Jan 21/2005 |
| | | 4 | 1 | Jan 21/2005 | | | 12 | | Jan 21/2005 |
| | | | 2 | Jan 21/2005 | 33-27-11 | | | | |
| | | 5 | 1 | Jan 21/2005 | | | 1 | 1 | Jan 21/2005 |
| | | | 2 | Jan 21/2005 | | | | 2 | Jan 21/2005 |
| 33-25-11 | | | | | | | | 3 | Jan 21/2005 |
| | | 1 | 1 | Jan 21/2005 | | | | 4 | Jan 21/2005 |
| | | | 2 | Jan 21/2005 | | | 2 | 1 | Jan 21/2005 |
| | 2A | | 1 | Jan 21/2005 | | | | 2 | Jan 21/2005 |
| | | | 2 | Jan 21/2005 | | | | 3 | Jan 21/2005 |
| | 3 | | 1 | Jan 21/2005 | | | | 4 | Jan 21/2005 |
| | | | 2 | Jan 21/2005 | | | 3 | 1 | Jan 21/2005 |
| | 4A | | 1 | Jan 21/2005 | | | | 2 | Jan 21/2005 |
| | | | 2 | Jan 21/2005 | | | | 3 | Jan 21/2005 |
| | 5A | | 1 | Jan 21/2005 | | | | 4 | Jan 21/2005 |
| | | | 2 | Jan 21/2005 | | | 4 | 1 | Jan 21/2005 |
| | 6 | | 1 | Jan 21/2005 | | | | 2 | Jan 21/2005 |
| | | | 2 | Jan 21/2005 | | | | 3 | Jan 21/2005 |
| | 6.1 | | 1 | Jan 21/2005 | | | | 4 | Jan 21/2005 |
| | | | 2 | Jan 21/2005 | | | | 5 | Jan 21/2005 |
| | 7 | | 1 | Jan 21/2005 | | | 5 | 1 | Jan 21/2005 |
| | | | 2 | Jan 21/2005 | | | | 2 | Jan 21/2005 |
| | 8 | | 1 | Jan 21/2005 | | | | 3 | Jan 21/2005 |
| | | | 2 | Jan 21/2005 | | | | 4 | Jan 21/2005 |
| 33-26-11 | | | | | | | | 5 | Jan 21/2005 |
| | | 1 | 1 | Jan 21/2005 | | | 6 | 1 | Jan 21/2005 |
| | | | 2 | Jan 21/2005 | | | | 2 | Jan 21/2005 |
| | 2.1 | | 1 | Jan 21/2005 | | | | 3 | Jan 21/2005 |
| | | | 2 | Jan 21/2005 | | | | 4 | Jan 21/2005 |
| | 3 | | 1 | Jan 21/2005 | | | 7 | 1 | Jan 21/2005 |
| | | | 2 | Jan 21/2005 | | | | 2 | Jan 21/2005 |
| | 4 | | 1 | Jan 21/2005 | | | | 3 | Jan 21/2005 |
| | | | 2 | Jan 21/2005 | | | | 4 | Jan 21/2005 |
| | 5 | | 1 | Jan 21/2005 | 33-31-11 | | | | |
| | | | 2 | Jan 21/2005 | | | | 1 | Jan 21/2005 |
| 33-26-21 | | | | | | | | 2 | Jan 21/2005 |
| | 1.1A | | 1 | Jan 21/2005 | | | | 3.1 | Jan 21/2005 |
| | | | 2 | Jan 21/2005 | 33-31-21 | | | | |
| | 2.1A | | 1 | Jan 21/2005 | | | | 1 | Jan 21/2005 |
| | | | 2 | Jan 21/2005 | 33-31-31 | | | | |
| | 3.1A | | | Jan 21/2005 | | | | 1 | Jan 21/2005 |
| | 4.1A | | | Jan 21/2005 | 33-31-41 | | | | |
| | 5.1A | | | Jan 21/2005 | | | | 1 | Jan 21/2005 |
| | 6.1A | | | Jan 21/2005 | 33-31-61 | | | | |
| | 7A | | | Jan 21/2005 | | | | 1 | Jan 21/2005 |
| | 8A | | 1 | Jan 21/2005 | | | | 2 | Jan 21/2005 |
| | | | 2 | Jan 21/2005 | | | | 3 | Jan 21/2005 |
| | 9A | | 1 | Jan 21/2005 | | | | 4 | Jan 21/2005 |
| | | | 2 | Jan 21/2005 | | | | 5 | Jan 21/2005 |
| | 10 | | 1 | Jan 21/2005 | 33-37-11 | | | | |
| | | | 2 | Jan 21/2005 | | | | 1 | Jan 21/2005 |

A = Added, R = Revised, D = Deleted, O = Overflow

33-EFFECTIVE PAGES

Page 7
Aug 05/2009

D280T132



**767-200/300
WIRING DIAGRAM MANUAL**

**CHAPTER 33
LIGHTS**

| CH-SC-SU | Schem | Page | Sheet | Date | CH-SC-SU | Schem | Page | Sheet | Date |
|------------------|-------|------|-------|-------------|------------------|-------|------|-------|-------------|
| 33-37-11 (cont.) | | 2 | | Jan 21/2005 | 33-51-12 (cont.) | | 5.1 | | Jan 21/2005 |
| 33-37-21 | | 1 | | Jan 21/2005 | 33-51-13 | | 1 | | Jan 21/2005 |
| | | 2 | | Jan 21/2005 | | | 2 | | Jan 21/2005 |
| 33-41-11 | | 1 | | Jan 21/2005 | | | 3 | | Jan 21/2005 |
| | | 2 | | Jan 21/2005 | | | 4 | | Jan 21/2005 |
| 33-42-11 | | | | | | | 5 | | Jan 21/2005 |
| | | 1 | 1 | Jan 21/2005 | 33-51-14 | | 5.1 | | Jan 21/2005 |
| | | | 2 | Jan 21/2005 | | | 1 | 1 | Jan 21/2005 |
| | | 2 | 1 | Jan 21/2005 | | | | 2 | Jan 21/2005 |
| | | | 2 | Jan 21/2005 | | | 2A | 1 | Jan 21/2005 |
| 33-42-21 | | | | | | | | 2 | Jan 21/2005 |
| | | 1 | | Jan 21/2005 | | | 3 | 1 | Jan 21/2005 |
| | | 2 | | Jan 21/2005 | | | | 2 | Jan 21/2005 |
| 33-43-11 | | | | | | | 4A | 1 | Jan 21/2005 |
| | | 1 | 1 | Jan 21/2005 | | | | 2 | Jan 21/2005 |
| | | | 2 | Jan 21/2005 | | | 5 | | Jan 21/2005 |
| | | 2 | 1 | Jan 21/2005 | 33-51-16 | | | | |
| | | | 2 | Jan 21/2005 | | | 1 | | Jan 21/2005 |
| | | 3 | 1 | Jan 21/2005 | | | 2 | | Jan 21/2005 |
| | | | 2 | Jan 21/2005 | | | 3 | | Jan 21/2005 |
| 33-44-11 | | | | | | | 4 | | Jan 21/2005 |
| | | 1 | | Jan 21/2005 | 33-51-17 | | | | |
| | | 2.1 | | Jan 21/2005 | | | 1 | | Jan 21/2005 |
| 33-44-21 | | | | | | | 2 | | Jan 21/2005 |
| | | 1 | | Jan 21/2005 | | | 3 | | Jan 21/2005 |
| 33-45-11 | | | | | | | 4 | | Jan 21/2005 |
| | | 1 | | Jan 21/2005 | 33-51-21 | | | | |
| 33-51-11 | | | | | | | 1 | 1 | Jan 21/2005 |
| | | 1 | 1 | Jan 21/2005 | | | | 2 | Jan 21/2005 |
| | | | 2 | Jan 21/2005 | | | 2 | 1 | Jan 21/2005 |
| | | | 3 | Jan 21/2005 | | | | 2 | Jan 21/2005 |
| | | 1.1 | 1 | Jan 21/2005 | | | 3.1 | 1 | Jan 21/2005 |
| | | | 2 | Jan 21/2005 | | | | 2 | Jan 21/2005 |
| | | | 3 | Jan 21/2005 | | | 4 | 1 | Jan 21/2005 |
| | | 2 | 1 | Jan 21/2005 | | | | 2 | Jan 21/2005 |
| | | | 2 | Jan 21/2005 | | | | | |
| | | | 3 | Jan 21/2005 | | | | | |
| | | 2.1 | 1 | Jan 21/2005 | | | | | |
| | | | 2 | Jan 21/2005 | | | | | |
| | | | 3 | Jan 21/2005 | | | | | |
| | | 3 | 1 | Jan 21/2005 | | | | | |
| | | | 2 | Jan 21/2005 | | | | | |
| | | | 3 | Jan 21/2005 | | | | | |
| 33-51-12 | | | | | | | | | |
| | | 1 | | Jan 21/2005 | | | | | |
| | | 2 | | Jan 21/2005 | | | | | |
| | | 3 | | Jan 21/2005 | | | | | |
| | | 4 | | Jan 21/2005 | | | | | |
| | | 5 | | Jan 21/2005 | | | | | |

A = Added, R = Revised, D = Deleted, O = Overflow

33-EFFECTIVE PAGES

Page 8
Aug 05/2009

D280T132



767-200/300

WIRING DIAGRAM MANUAL

CHAPTER 33
LIGHTS

| Title | CH-SC-SU | Schem | Page | Sheet | Date | Effectivity |
|--------------------------------------------------|----------|-------|------|-------|-------------|-------------------------|
| <u>LIGHTS</u> | | | | | | |
| LAMP USAGE CHART | 33-00-11 | | 1 | | Jan 21/2005 | ALL |
| <u>FLIGHT COMPARTMENT ILLUMINATION</u> | | | | | | |
| FLOODLIGHTS- PILOTS INSTRUMENT PANELS | 33-11-11 | | 1 | | Jan 21/2005 | ALL |
| FLOODLIGHTS- GLARESHIELD & AISLE STAND | 33-11-13 | | 1 | | Jan 21/2005 | ALL |
| DOME LIGHTS- FLIGHT DECK | 33-11-14 | | 1 | | Jan 21/2005 | ALL |
| FLIGHT DECK LIGHT DIMMING OVERRIDE CONTROL | 33-11-15 | | 1 | | Jan 21/2005 | ALL |
| FLOODLIGHTS- MAIN POWER DISTRIBUTION P6 PANEL | 33-11-16 | | 1 | | Jan 21/2005 | ALL |
| <u>INTEGRAL PANEL LIGHTS</u> | | | | | | |
| INSTRUMENT & PANEL LIGHTS CAPTAINS | 33-13-11 | | 1A | 1 | Jan 21/2005 | 050-051 151 |
| | | | | 2 | Jan 21/2005 | 050-051 151 |
| | | | 2A | 1 | Jan 21/2005 | 150 152 155-278 |
| | | | | 2 | Jan 21/2005 | 150 152 155-278 |
| | | | 3A | 1 | Jan 21/2005 | 153-154 |
| | | | | 2 | Jan 21/2005 | 153-154 |
| | | | 4A | 1 | Jan 21/2005 | 280 |
| | | | | 2 | Jan 21/2005 | 280 |
| | | | 1A | 1 | Jan 21/2005 | 050-051 151 |
| | | | | 2 | Jan 21/2005 | 050-051 151 |
| INSTRUMENT & PANEL LIGHTS FIRST OFFICER | 33-13-13 | | 2A | 1 | Jan 21/2005 | 150 152 155-156 275-276 |
| | | | | 2 | Jan 21/2005 | 150 152 155-156 275-276 |
| | | | 3A | 1 | Jan 21/2005 | 153-154 |
| | | | | 2 | Jan 21/2005 | 153-154 |
| | | | 4A | 1 | Jan 21/2005 | 157-167 277-280 |
| | | | | 2 | Jan 21/2005 | 157-167 277-280 |
| | | | 1A | 1 | Jan 21/2005 | 050-099 |
| | | | | 1 | Jan 21/2005 | 050-099 |
| INSTRUMENT & PANEL LIGHTS PILOTS- OVERHEAD PANEL | 33-13-16 | | 1 | 1 | Jan 21/2005 | 050-099 |

33-CONTENTS

Page 1
Jun 28/2006

D280T132



767-200/300

WIRING DIAGRAM MANUAL

**CHAPTER 33
LIGHTS**

| Title | CH-SC-SU | Schem | Page | Sheet | Date | Effectivity |
|----------------------------------------------------------------|----------|-------|-------------|-------|-------------|-------------|
| INSTRUMENT & PANEL LIGHTS PILOTS- OVERHEAD PANEL (cont.) | 33-13-16 | | | 2 | Jan 21/2005 | 050-099 |
| | | | | 3 | Jan 21/2005 | 050-099 |
| | | | | 4 | Jan 21/2005 | 050-099 |
| | | | | 5 | Jan 21/2005 | 050-099 |
| | | 1.1 | | 1 | Jan 21/2005 | 050-051 |
| | | | | 2 | Jan 21/2005 | 050-051 |
| | | | | 3 | Jan 21/2005 | 050-051 |
| | | | | 4 | Jan 21/2005 | 050-051 |
| | | | | 5 | Jan 21/2005 | 050-051 |
| | | 2.1A | | 1 | Jan 21/2005 | 150 153 |
| | | | | 2 | Jan 21/2005 | 150 153 |
| | | | | 3 | Jan 21/2005 | 150 153 |
| | | | | 4 | Jan 21/2005 | 150 153 |
| | | | | 5 | Jan 21/2005 | 150 153 |
| | | 3 | | 1 | Jan 21/2005 | 151-152 |
| | | | | 2 | Jan 21/2005 | 151-152 |
| | | | | 3 | Jan 21/2005 | 151-152 |
| | | | | 4 | Jan 21/2005 | 151-152 |
| | | | | 5 | Jan 21/2005 | 151-152 |
| | | 3.1 | | 1 | Jan 21/2005 | 151-152 |
| | | | | 2 | Jan 21/2005 | 151-152 |
| | | | | 3 | Jan 21/2005 | 151-152 |
| | | | | 4 | Jan 21/2005 | 151-152 |
| | | | | 5 | Jan 21/2005 | 151-152 |
| | | 4A | | 1 | Mar 09/2006 | 154 |
| | | | | 2 | Mar 09/2006 | 154 |
| | | | | 3 | Mar 09/2006 | 154 |
| | | | | 4 | Mar 09/2006 | 154 |
| | | | | 5 | Mar 09/2006 | 154 |
| | | 4.1A | | 1 | Mar 09/2006 | 154 |
| | | 2 | Mar 09/2006 | 154 | | |
| | | 3 | Mar 09/2006 | 154 | | |

33-CONTENTS



767-200/300

WIRING DIAGRAM MANUAL

CHAPTER 33 LIGHTS

| Title | CH-SC-SU | Schem | Page | Sheet | Date | Effectivity |
|----------------------------------------------------------------|----------|-------------|------|-------------|-------------|-------------|
| INSTRUMENT & PANEL LIGHTS PILOTS- OVERHEAD PANEL (cont.) | 33-13-16 | | | 4 | Mar 09/2006 | 154 |
| | | | | 5 | Mar 09/2006 | 154 |
| | | 5.1A | 1 | Mar 09/2006 | 155 | |
| | | | 2 | Mar 09/2006 | 155 | |
| | | | 3 | Mar 09/2006 | 155 | |
| | | | 4 | Mar 09/2006 | 155 | |
| | | | 5 | Mar 09/2006 | 155 | |
| | | 6A | 1 | Mar 09/2006 | 156 166-167 | |
| | | | 2 | Mar 09/2006 | 156 166-167 | |
| | | | 3 | Mar 09/2006 | 156 166-167 | |
| | | | 4 | Mar 09/2006 | 156 166-167 | |
| | | | 5 | Mar 09/2006 | 156 166-167 | |
| | | 6.1A | 1 | Mar 09/2006 | 156 | |
| | | | 2 | Mar 09/2006 | 156 | |
| | | | 3 | Mar 09/2006 | 156 | |
| | | | 4 | Mar 09/2006 | 156 | |
| | | | 5 | Mar 09/2006 | 156 | |
| | | 6.2A | 1 | Mar 09/2006 | 166 | |
| | | | 2 | Mar 09/2006 | 166 | |
| | | | 3 | Mar 09/2006 | 166 | |
| | | | 4 | Mar 09/2006 | 166 | |
| | | | 5 | Mar 09/2006 | 166 | |
| | | 6.3A | 1 | Mar 09/2006 | 167 | |
| | | | 2 | Mar 09/2006 | 167 | |
| | | | 3 | Mar 09/2006 | 167 | |
| | | | 4 | Mar 09/2006 | 167 | |
| | | | 5 | Mar 09/2006 | 167 | |
| | | 7.1A | 1 | Mar 09/2006 | 157 | |
| | | | 2 | Mar 09/2006 | 157 | |
| | | | 3 | Mar 09/2006 | 157 | |
| | 4 | Mar 09/2006 | 157 | | | |
| | 5 | Mar 09/2006 | 157 | | | |

33-CONTENTS

Page 3
Jun 28/2006

D280T132



767-200/300

WIRING DIAGRAM MANUAL

CHAPTER 33 LIGHTS

| Title | CH-SC-SU | Schem | Page | Sheet | Date | Effectivity | |
|----------------------------------------------------------------|----------|-------------|---------|-------|-------------|-------------|---------|
| INSTRUMENT & PANEL LIGHTS PILOTS- OVERHEAD PANEL (cont.) | 33-13-16 | | 8A | 1 | Mar 09/2006 | 162-165 | |
| | | | | 2 | Mar 09/2006 | 162-165 | |
| | | | | 3 | Mar 09/2006 | 162-165 | |
| | | | | 4 | Mar 09/2006 | 162-165 | |
| | | | | 5 | Mar 09/2006 | 162-165 | |
| | | | | 8.1A | 1 | Mar 09/2006 | 162 |
| | | | | | 2 | Mar 09/2006 | 162 |
| | | | | | 3 | Mar 09/2006 | 162 |
| | | | | | 4 | Mar 09/2006 | 162 |
| | | | | | 5 | Mar 09/2006 | 162 |
| | | | | 8.2A | 1 | Mar 09/2006 | 163-165 |
| | | | | | 2 | Mar 09/2006 | 163-165 |
| | | | | | 3 | Mar 09/2006 | 163-165 |
| | | | | | 4 | Mar 09/2006 | 163-165 |
| | | | | | 5 | Mar 09/2006 | 163-165 |
| | | | | 9 | 1 | Mar 09/2006 | 275 |
| | | | | | 2 | Mar 09/2006 | 275 |
| | | | | | 3 | Mar 09/2006 | 275 |
| | | | | | 4 | Mar 09/2006 | 275 |
| | | | | | 5 | Mar 09/2006 | 275 |
| | | | | 9.1 | 1 | Mar 09/2006 | 275 |
| | | | | | 2 | Mar 09/2006 | 275 |
| | | | | | 3 | Mar 09/2006 | 275 |
| | | | | | 4 | Mar 09/2006 | 275 |
| | | | | | 5 | Mar 09/2006 | 275 |
| 10.1 | 1 | Mar 09/2006 | 276-280 | | | | |
| | 2 | Mar 09/2006 | 276-280 | | | | |
| | 3 | Mar 09/2006 | 276-280 | | | | |
| | 4 | Mar 09/2006 | 276-280 | | | | |
| | 5 | Mar 09/2006 | 276-280 | | | | |
| INSTRUMENT & PANEL LIGHTS GLARESHIELD | 33-13-17 | | 1 | | Jan 21/2005 | ALL | |

33-CONTENTS

Page 4
Jun 28/2006

D280T132



767-200/300

WIRING DIAGRAM MANUAL

CHAPTER 33
LIGHTS

| Title | CH-SC-SU | Schem | Page | Sheet | Date | Effectivity |
|-------------------------------------------------------|----------|-------|------|-------|-------------|-------------------------|
| INSTRUMENT & PANEL LIGHTS AISLE STAND | 33-13-18 | | 1 | 1 | Jan 21/2005 | 050-099 151 |
| | | | | 2 | Jan 21/2005 | 050-099 151 |
| | | | 2A | 1 | Jan 21/2005 | 150 152-155 162-165 |
| | | | | 2 | Jan 21/2005 | 150 152-155 162-165 |
| | | | 3A | 1 | Jan 21/2005 | 156-157 166-167 |
| | | | | 2 | Jan 21/2005 | 156-157 166-167 |
| | | | 4 | 1 | Jan 21/2005 | 275-276 |
| | | | | 2 | Jan 21/2005 | 275-276 |
| | | | 5 | 1 | Jan 21/2005 | 277-299 |
| | | | | 2 | Jan 21/2005 | 277-299 |
| INSTRUMENT & PANEL LIGHTS OVERHEAD CIRCUIT BREAKER | 33-13-19 | | 1 | | Jan 21/2005 | ALL |
| INSTRUMENT & PANEL LIGHTS SUPERNUMERARY | 33-13-21 | | 1 | | Jan 21/2005 | ALL |
| <u>FLIGHT COMPARTMENT MISCELLANEOUS LIGHTS</u> | | | | | | |
| MAP LIGHTS | 33-14-11 | | 1 | | Jan 21/2005 | ALL |
| CHART LIGHTS | 33-14-21 | | 1 | | Jan 21/2005 | ALL |
| FLIGHT KIT & UTILITY LIGHTS | 33-14-31 | | 1 | | Jan 21/2005 | ALL |
| <u>MASTER DIM AND TEST</u> | | | | | | |
| MASTER DIM & TEST-PILOTS CONTROL | 33-16-11 | | 1 | 1 | Jan 21/2005 | 050-099 150-199 275-278 |
| | | | | 2 | Jan 21/2005 | 050-099 150-199 275-278 |
| | | | 2 | 1 | Jan 21/2005 | 280-299 |
| | | | | 2 | Jan 21/2005 | 280-299 |
| | | | | 2 | Jan 21/2005 | 280-299 |
| MASTER DIM & TEST-PILOTS POWER & GROUND DISTRIBUTION | 33-16-12 | | 1 | 1 | Jan 21/2005 | 050-099 280-299 |
| | | | | 2 | Jan 21/2005 | 050-099 280-299 |
| | | | | 3 | Jan 21/2005 | 050-099 280-299 |
| | | | 2A | 1 | Jan 21/2005 | 150 152-154 |
| | | | | 2 | Jan 21/2005 | 150 152-154 |
| | | | | 3 | Jan 21/2005 | 150 152-154 |
| | | | 3 | 1 | Jan 21/2005 | 151 275-278 |
| | | | | 1 | Jan 21/2005 | 151 275-278 |

33-CONTENTS

Page 5
Jun 28/2006

D280T132



767-200/300

WIRING DIAGRAM MANUAL

**CHAPTER 33
LIGHTS**

| Title | CH-SC-SU | Schem | Page | Sheet | Date | Effectivity | |
|--------------------------------------------------------------|----------|-------|------|-------|-------------|-----------------|---------|
| MASTER DIM & TEST-PILOTS POWER & GROUND DISTRIBUTION (cont.) | 33-16-12 | | | 2 | Jan 21/2005 | 151 275-278 | |
| | | | | 3 | Jan 21/2005 | 151 275-278 | |
| | | | 4A | 1 | Jan 21/2005 | 155-167 | |
| | | | | 2 | Jan 21/2005 | 155-167 | |
| | | | | 3 | Jan 21/2005 | 155-167 | |
| MASTER DIM & TEST-CAPTAINS PANEL | 33-16-13 | | | 1 | Jan 21/2005 | 050-099 151 | |
| | | | | 2A | Jan 21/2005 | 150 152-280 | |
| MASTER DIM & TEST-CATHODE RAY TUBE DISPLAYS | 33-16-14 | | 1 | | Jan 21/2005 | ALL | |
| MASTER DIM & TEST- FIRST OFFICERS PANEL | 33-16-15 | | | 1 | Jan 21/2005 | 050-099 | |
| | | | | 2 | Jan 21/2005 | 150-199 275-299 | |
| MASTER DIM & TEST-PILOTS GLARESHIELD | 33-16-16 | | 1 | | Jan 21/2005 | ALL | |
| MASTER DIM & TEST-PILOTS OVERHEAD & OVERHEAD CB PANEL | 33-16-17 | | | 1 | Jan 21/2005 | 050-099 | |
| | | | | 2 | Jan 21/2005 | 050-099 | |
| | | | | 3 | Jan 21/2005 | 050-099 | |
| | | | | 4 | Jan 21/2005 | 050-099 | |
| | | | | 5 | Jan 21/2005 | 050-099 | |
| | | | | 6 | Jan 21/2005 | 050-099 | |
| | | | | 1.1 | 1 | Jan 21/2005 | 050-051 |
| | | | | | 2 | Jan 21/2005 | 050-051 |
| | | | | | 3 | Jan 21/2005 | 050-051 |
| | | | | | 4 | Jan 21/2005 | 050-051 |
| | | | | | 5 | Jan 21/2005 | 050-051 |
| | | | | | 6 | Jan 21/2005 | 050-051 |
| | | | | 2.1A | 1 | Jan 21/2005 | 150 153 |
| | | | | | 2 | Jan 21/2005 | 150 153 |
| | | | | | 3 | Jan 21/2005 | 150 153 |
| | | | | | 4 | Jan 21/2005 | 150 153 |

33-CONTENTS



767-200/300

WIRING DIAGRAM MANUAL

CHAPTER 33
LIGHTS

| Title | CH-SC-SU | Schem | Page | Sheet | Date | Effectivity |
|---------------------------------------------------------------|----------|-------|-------------|-------------|-------------|-------------|
| MASTER DIM & TEST-PILOTS OVERHEAD & OVERHEAD CB PANEL (cont.) | 33-16-17 | | | 5 | Jan 21/2005 | 150 153 |
| | | | | 6 | Jan 21/2005 | 150 153 |
| | | 3 | | 1 | Jan 21/2005 | 151-152 |
| | | | | 2 | Jan 21/2005 | 151-152 |
| | | | | 3 | Jan 21/2005 | 151-152 |
| | | | | 4 | Jan 21/2005 | 151-152 |
| | | | 5 | Jan 21/2005 | 151-152 | |
| | | | 6 | Jan 21/2005 | 151-152 | |
| | 3.1 | | 1 | Jan 21/2005 | 151-152 | |
| | | | 2 | Jan 21/2005 | 151-152 | |
| | | | 3 | Jan 21/2005 | 151-152 | |
| | | | 4 | Jan 21/2005 | 151-152 | |
| | | | 5 | Jan 21/2005 | 151-152 | |
| | | | 6 | Jan 21/2005 | 151-152 | |
| | 4A | | 1 | Mar 09/2006 | 154 | |
| | | | 2 | Mar 09/2006 | 154 | |
| | | | 3 | Mar 09/2006 | 154 | |
| | | | 4 | Mar 09/2006 | 154 | |
| | | | 5 | Mar 09/2006 | 154 | |
| | | | 6 | Mar 09/2006 | 154 | |
| | 4.1A | | 1 | Mar 09/2006 | 154 | |
| | | | 2 | Mar 09/2006 | 154 | |
| | | | 3 | Mar 09/2006 | 154 | |
| | | | 4 | Mar 09/2006 | 154 | |
| | | | 5 | Mar 09/2006 | 154 | |
| | | | 6 | Mar 09/2006 | 154 | |
| | 5.1A | | 1 | Mar 09/2006 | 155 | |
| | | | 2 | Mar 09/2006 | 155 | |
| | | | 3 | Mar 09/2006 | 155 | |
| | | | 4 | Mar 09/2006 | 155 | |
| | | 5 | Mar 09/2006 | 155 | | |

33-CONTENTS

Page 7
Jun 28/2006

D280T132



767-200/300

WIRING DIAGRAM MANUAL

CHAPTER 33 LIGHTS

| Title | CH-SC-SU | Schem | Page | Sheet | Date | Effectivity | |
|---------------------------------------------------------------|-------------|-------|------|-------|-------------|-------------|-------------|
| MASTER DIM & TEST-PILOTS OVERHEAD & OVERHEAD CB PANEL (cont.) | 33-16-17 | | | 6 | Mar 09/2006 | 155 | |
| | | | | 6A | 1 | Mar 09/2006 | 156 166-167 |
| | | | | 2 | Mar 09/2006 | 156 166-167 | |
| | | | | 3 | Mar 09/2006 | 156 166-167 | |
| | | | | 4 | Mar 09/2006 | 156 166-167 | |
| | | | | 5 | Mar 09/2006 | 156 166-167 | |
| | | | | 6 | Mar 09/2006 | 156 166-167 | |
| | | | | 6.1A | 1 | Mar 09/2006 | 156 |
| | | | | 2 | Mar 09/2006 | 156 | |
| | | | | 3 | Mar 09/2006 | 156 | |
| | | | | 4 | Mar 09/2006 | 156 | |
| | | | | 5 | Mar 09/2006 | 156 | |
| | | | | 6 | Mar 09/2006 | 156 | |
| | | | | 6.2A | 1 | Mar 09/2006 | 166 |
| | | | | 2 | Mar 09/2006 | 166 | |
| | | | | 3 | Mar 09/2006 | 166 | |
| | | | | 4 | Mar 09/2006 | 166 | |
| | | | | 5 | Mar 09/2006 | 166 | |
| | | | | 6 | Mar 09/2006 | 166 | |
| | | | | 6.3A | 1 | Mar 09/2006 | 167 |
| | | | | 2 | Mar 09/2006 | 167 | |
| | | | | 3 | Mar 09/2006 | 167 | |
| | | | | 4 | Mar 09/2006 | 167 | |
| | | | | 5 | Mar 09/2006 | 167 | |
| | | | | 6 | Mar 09/2006 | 167 | |
| | | | | 7.1A | 1 | Mar 09/2006 | 157 |
| | | | | 2 | Mar 09/2006 | 157 | |
| | | | | 3 | Mar 09/2006 | 157 | |
| | | | | 4 | Mar 09/2006 | 157 | |
| | | | | 5 | Mar 09/2006 | 157 | |
| 6 | Mar 09/2006 | 157 | | | | | |

33-CONTENTS

Page 8

Jun 28/2006

D280T132



767-200/300

WIRING DIAGRAM MANUAL

CHAPTER 33
LIGHTS

| Title | CH-SC-SU | Schem | Page | Sheet | Date | Effectivity |
|---------------------------------------------------------------|----------|-------|------|-------------|-------------|-------------|
| MASTER DIM & TEST-PILOTS OVERHEAD & OVERHEAD CB PANEL (cont.) | 33-16-17 | | 8A | 1 | Mar 09/2006 | 162-165 |
| | | | | 2 | Mar 09/2006 | 162-165 |
| | | | | 3 | Mar 09/2006 | 162-165 |
| | | | | 4 | Mar 09/2006 | 162-165 |
| | | | | 5 | Mar 09/2006 | 162-165 |
| | | | | 6 | Mar 09/2006 | 162-165 |
| | | 8.1A | | 1 | Mar 09/2006 | 162 |
| | | | 2 | Mar 09/2006 | 162 | |
| | | | 3 | Mar 09/2006 | 162 | |
| | | | 4 | Mar 09/2006 | 162 | |
| | | | 5 | Mar 09/2006 | 162 | |
| | | | 6 | Mar 09/2006 | 162 | |
| | | 8.2A | | 1 | Mar 09/2006 | 163-165 |
| | | | 2 | Mar 09/2006 | 163-165 | |
| | | | 3 | Mar 09/2006 | 163-165 | |
| | | | 4 | Mar 09/2006 | 163-165 | |
| | | | 5 | Mar 09/2006 | 163-165 | |
| | | | 6 | Mar 09/2006 | 163-165 | |
| | | 9 | | 1 | Mar 09/2006 | 275 |
| | | | 2 | Mar 09/2006 | 275 | |
| | | | 3 | Mar 09/2006 | 275 | |
| | | | 4 | Mar 09/2006 | 275 | |
| | | | 5 | Mar 09/2006 | 275 | |
| | | | 6 | Mar 09/2006 | 275 | |
| | | 9.1 | | 1 | Mar 09/2006 | 275 |
| | | | 2 | Mar 09/2006 | 275 | |
| | | | 3 | Mar 09/2006 | 275 | |
| | | | 4 | Mar 09/2006 | 275 | |
| | | | 5 | Mar 09/2006 | 275 | |
| | | | 6 | Mar 09/2006 | 275 | |
| | | 10.1 | | 1 | Mar 09/2006 | 276-280 |

33-CONTENTS



767-200/300

WIRING DIAGRAM MANUAL

CHAPTER 33
LIGHTS

| Title | CH-SC-SU | Schem | Page | Sheet | Date | Effectivity |
|-----------------------------------------------------------------|----------|-------|------|-------|-------------|-----------------|
| MASTER DIM & TEST-PILOTS OVERHEAD & OVERHEAD CB PANEL (cont.) | 33-16-17 | | | 2 | Mar 09/2006 | 276-280 |
| | | | | 3 | Mar 09/2006 | 276-280 |
| | | | | 4 | Mar 09/2006 | 276-280 |
| | | | | 5 | Mar 09/2006 | 276-280 |
| | | | | 6 | Mar 09/2006 | 276-280 |
| | | | | | | |
| MASTER DIM & TEST-CONTROL STAND ELECTRONIC PANELS | 33-16-18 | | 1 | 1 | Jan 21/2005 | 050-099 155-166 |
| | | | | 2 | Jan 21/2005 | 050-099 155-166 |
| | | | 2 | 1 | Jan 21/2005 | 150-154 |
| | | | | 2 | Jan 21/2005 | 150-154 |
| | | | 3A | 1 | Jan 21/2005 | 167 |
| | | | | 2 | Jan 21/2005 | 167 |
| | | | 4 | 1 | Jan 21/2005 | 275 |
| | | | | 2 | Jan 21/2005 | 275 |
| | | | 5 | 1 | Jan 21/2005 | 276-299 |
| | | | | 2 | Jan 21/2005 | 276-299 |
| | | | | | | |
| MASTER DIM & TEST- RIGHT SIDE PANEL CONTROL | 33-16-21 | | 1 | | Jan 21/2005 | ALL |
| MASTER DIM & TEST- RIGHT SIDE PANEL POWER & GROUND DISTRIBUTION | 33-16-22 | | 1 | 1 | Jan 21/2005 | ALL |
| | | | | 2 | Jan 21/2005 | ALL |
| | | | | 3 | Jan 21/2005 | ALL |
| MASTER DIM & TEST- RIGHT SIDE PANEL | 33-16-26 | | 1 | | Jan 21/2005 | ALL |
| <u>PASSENGER COMPARTMENT ILLUMINATION</u> | | | | | | |
| CEILING LIGHTS- FORWARD INDIRECT | 33-21-11 | | 1A | 1 | Jan 21/2005 | 050-051 |
| | | | | 2 | Jan 21/2005 | 050-051 |
| | | | | 3 | Jan 21/2005 | 050-051 |
| | | | 2 | 1 | Jan 21/2005 | 150-199 |
| | | | | 2 | Jan 21/2005 | 150-199 |
| | | | | 3 | Jan 21/2005 | 150-199 |

33-CONTENTS

Page 10
Jun 28/2006

D280T132



767-200/300

WIRING DIAGRAM MANUAL

CHAPTER 33
LIGHTS

| Title | CH-SC-SU | Schem | Page | Sheet | Date | Effectivity |
|---------------------------------------------|----------|----------------------------------------------|----------|-------|-------------|-------------|
| CEILING LIGHTS- FORWARD INDIRECT (cont.) | 33-21-11 | | | 4 | Jan 21/2005 | 150-199 |
| | | | 3.1A | 1 | Jan 21/2005 | 275-277 |
| | | | | 2 | Jan 21/2005 | 275-277 |
| | | | | 3 | Jan 21/2005 | 275-277 |
| | | | | 4 | Jan 21/2005 | 275-277 |
| | | | 4 | 1 | Jan 21/2005 | 278 |
| | | | | 2 | Jan 21/2005 | 278 |
| | | | | 3 | Jan 21/2005 | 278 |
| | | | | 4 | Jan 21/2005 | 278 |
| | | | 5.1A | 1 | Jan 21/2005 | 280 |
| | | | | 2 | Jan 21/2005 | 280 |
| | | | | 3 | Jan 21/2005 | 280 |
| | | | | 4 | Jan 21/2005 | 280 |
| | | | | 5 | Jan 21/2005 | 280 |
| | | | | 6 | Jan 21/2005 | 280 |
| | | | | 7 | Jan 21/2005 | 280 |
| | | CEILING LIGHT CONTROL- MID & AFT INDIRECT | 33-21-12 | | 1A | 1 |
| | | | | 2 | Jan 21/2005 | 050-051 |
| | 2 | | | 1 | Jan 21/2005 | 150-199 |
| | | | | 2 | Jan 21/2005 | 150-199 |
| | 3 | | | | Jan 21/2005 | 275-278 |
| | 4 | | | | Jan 21/2005 | 280-299 |
| CEILING LIGHTS- MID INDIRECT | 33-21-13 | | 1 | 1 | Jan 21/2005 | 050-099 |
| | | | | 2 | Jan 21/2005 | 050-099 |
| | | | 2 | 1 | Jan 21/2005 | 150-199 |
| | | | | 2 | Jan 21/2005 | 150-199 |
| | | | 3 | 1 | Jan 21/2005 | 275-278 |
| | | | | 2 | Jan 21/2005 | 275-278 |
| | | | 4 | 1 | Jan 21/2005 | 280-299 |
| | | | | 2 | Jan 21/2005 | 280-299 |
| CEILING LIGHTS- AFT INDIRECT | 33-21-14 | | 1 | 1 | Jan 21/2005 | 050-099 |

33-CONTENTS



767-200/300

WIRING DIAGRAM MANUAL

CHAPTER 33
LIGHTS

| Title | CH-SC-SU | Schem | Page | Sheet | Date | Effectivity | | |
|-----------------------------------------|----------|--------------|----------|-------|-------------|-------------|-------------|-------------|
| CEILING LIGHTS- AFT INDIRECT (cont.) | 33-21-14 | | | 2 | Jan 21/2005 | 050-099 | | |
| | | | 2 | 1 | Jan 21/2005 | 150-157 | | |
| | | | | 2 | | Jan 21/2005 | 150-157 | |
| | | | | 3 | | Jan 21/2005 | 150-157 | |
| | | | 3 | 1 | | Jan 21/2005 | 162-199 | |
| | | | | 2 | | Jan 21/2005 | 162-199 | |
| | | | | 3 | | Jan 21/2005 | 162-199 | |
| | | | 4 | 1 | | Jan 21/2005 | 275-299 | |
| | | | | 2 | | Jan 21/2005 | 275-299 | |
| | | | | 3 | | Jan 21/2005 | 275-299 | |
| | | NIGHT LIGHTS | 33-21-21 | | 1A | 1 | Jan 21/2005 | 050-051 |
| | | | | | | 2 | Jan 21/2005 | 050-051 |
| | | | | | 2A | 1 | Jan 21/2005 | 150 152-157 |
| | | | | 2 | Jan 21/2005 | 150 152-157 | | |
| | 3 | | | 1 | Jan 21/2005 | 151 | | |
| | | | | 2 | Jan 21/2005 | 151 | | |
| | 4A | | | 1 | Jan 21/2005 | 162-167 | | |
| | | | | 2 | Jan 21/2005 | 162-167 | | |
| | 5 | | | 1 | Jan 21/2005 | 275-278 | | |
| | | | | 2 | Jan 21/2005 | 275-278 | | |
| | 6 | | | 1 | Jan 21/2005 | 280-299 | | |
| | | | | 2 | Jan 21/2005 | 280-299 | | |
| SIDEWALL WASH LIGHTS CONTROL | 33-21-31 | | | | 1A | 1 | Jan 21/2005 | 050-051 |
| | | | | | | 2 | Jan 21/2005 | 050-051 |
| | | | | | | 3 | Jan 21/2005 | 050-051 |
| | | | | 4 | Jan 21/2005 | 050-051 | | |
| | | | 2A | 1 | Jan 21/2005 | 150 153-154 | | |
| | | | | 2 | Jan 21/2005 | 150 153-154 | | |
| | | | | 3 | Jan 21/2005 | 150 153-154 | | |
| | | | 3A | 1 | Jan 21/2005 | 151-152 | | |
| | | | | 2 | Jan 21/2005 | 151-152 | | |
| | | | | 3 | Jan 21/2005 | 151-152 | | |

33-CONTENTS

Page 12
Jun 28/2006

D280T132



767-200/300

WIRING DIAGRAM MANUAL

CHAPTER 33
LIGHTS

| Title | CH-SC-SU | Schem | Page | Sheet | Date | Effectivity | |
|-------------------------------------------------|----------|-------|------|-------|-------------|-----------------|---------|
| SIDEWALL WASH LIGHTS CONTROL (cont.) | 33-21-31 | | 4A | 1 | Jan 21/2005 | 155-156 | |
| | | | | 2 | Jan 21/2005 | 155-156 | |
| | | | | 3 | Jan 21/2005 | 155-156 | |
| | | | 5A | 1 | Jan 21/2005 | 157 | |
| | | | | 2 | Jan 21/2005 | 157 | |
| | | | | 3 | Jan 21/2005 | 157 | |
| | | | 6A | 1 | Jan 21/2005 | 162-165 | |
| | | | | 2 | Jan 21/2005 | 162-165 | |
| | | | | 3 | Jan 21/2005 | 162-165 | |
| | | | | 4 | Jan 21/2005 | 162-165 | |
| | | | 7A | 1 | Jan 21/2005 | 166 | |
| | | | | 2 | Jan 21/2005 | 166 | |
| | | | | 3 | Jan 21/2005 | 166 | |
| | | | | 4 | Jan 21/2005 | 166 | |
| | | | 8A | 1 | Jan 21/2005 | 167 | |
| | | | | 2 | Jan 21/2005 | 167 | |
| | | | | 3 | Jan 21/2005 | 167 | |
| | | | | 4 | Jan 21/2005 | 167 | |
| | | | | 9 | | Jan 21/2005 | 275-278 |
| | | | | 10 | | Jan 21/2005 | 280-299 |
| FORWARD SIDEWALL WASH LIGHTS & LEFT BALLASTS | 33-21-32 | | 1 | 1 | Jan 21/2005 | 050-099 | |
| | | | | 2 | Jan 21/2005 | 050-099 | |
| | | | 2A | 1 | Jan 21/2005 | 150 153-154 157 | |
| | | | | 2 | Jan 21/2005 | 150 153-154 157 | |
| | | | 3 | 1 | Jan 21/2005 | 151-152 | |
| | | | | 2 | Jan 21/2005 | 151-152 | |
| | | | 4A | 1 | Jan 21/2005 | 155-156 | |
| | | | | 2 | Jan 21/2005 | 155-156 | |
| | | | 5A | 1 | Jan 21/2005 | 162-163 | |
| | | | | 2 | Jan 21/2005 | 162-163 | |
| | | | 6A | 1 | Jan 21/2005 | 164-165 167 | |
| | | | | 2 | Jan 21/2005 | 164-165 167 | |

33-CONTENTS

Page 13
Jun 28/2006

D280T132



767-200/300

WIRING DIAGRAM MANUAL

CHAPTER 33
LIGHTS

| Title | CH-SC-SU | Schem | Page | Sheet | Date | Effectivity |
|------------------------------------------------------|----------|-------------|------------------------------------------|----------|-------------|-----------------|
| FORWARD SIDEWALL WASH LIGHTS & LEFT BALLASTS (cont.) | 33-21-32 | | 7A | 1 | Jan 21/2005 | 166 |
| | | | | 2 | Jan 21/2005 | 166 |
| | | | 8 | 1 | Jan 21/2005 | 275-278 |
| | | | | 2 | Jan 21/2005 | 275-278 |
| | | | 9 | 1 | Jan 21/2005 | 280-299 |
| | | | | 2 | Jan 21/2005 | 280-299 |
| FORWARD SIDEWALL WASH LIGHTS & RIGHT BALLASTS | 33-21-33 | | 1A | | Jan 21/2005 | 050-051 |
| | | | 2A | 1 | Jan 21/2005 | 150 153-154 157 |
| | | | | 2 | Jan 21/2005 | 150 153-154 157 |
| | | | 3 | 1 | Jan 21/2005 | 151-152 |
| | | | | 2 | Jan 21/2005 | 151-152 |
| | | | 4A | 1 | Jan 21/2005 | 155-156 |
| | | | | 2 | Jan 21/2005 | 155-156 |
| | | | 5A | 1 | Jan 21/2005 | 162-163 |
| | | | | 2 | Jan 21/2005 | 162-163 |
| | | | 6 | 1 | Jan 21/2005 | 164-165 167-199 |
| | | | | 2 | Jan 21/2005 | 164-165 167-199 |
| | | | 7 | 1 | Jan 21/2005 | 166 |
| | | | | 2 | Jan 21/2005 | 166 |
| | | | 8 | 1 | Jan 21/2005 | 275-278 |
| | | | | 2 | Jan 21/2005 | 275-278 |
| | | | 9 | 1 | Jan 21/2005 | 280-299 |
| | | | | 2 | Jan 21/2005 | 280-299 |
| | | | AFT SIDEWALL WASH LIGHTS & LEFT BALLASTS | 33-21-34 | | 1 |
| | 2 | Jan 21/2005 | | | | 050-099 |
| | 3 | Jan 21/2005 | | | | 050-099 |
| 2A | 1 | Jan 21/2005 | | | | 150-154 157 |
| | 2 | Jan 21/2005 | | | | 150-154 157 |
| | 3 | Jan 21/2005 | | | | 150-154 157 |
| 3A | 1 | Jan 21/2005 | | | | 155-156 |
| | 2 | Jan 21/2005 | | | | 155-156 |

33-CONTENTS

Page 14
Jun 28/2006

D280T132



767-200/300

WIRING DIAGRAM MANUAL

CHAPTER 33
LIGHTS

| Title | CH-SC-SU | Schem | Page | Sheet | Date | Effectivity | | |
|--------------------------------------------------|----------|-------------------------------------------|----------|-------|-------------|-------------------------|-------------------------|-------------|
| AFT SIDEWALL WASH LIGHTS & LEFT BALLASTS (cont.) | 33-21-34 | | | 3 | Jan 21/2005 | 155-156 | | |
| | | | 4 | 1 | Jan 21/2005 | 162-165 | | |
| | | | | | 2 | Jan 21/2005 | 162-165 | |
| | | | | | 3 | Jan 21/2005 | 162-165 | |
| | | | 5 | 1 | Jan 21/2005 | 166 | | |
| | | | | | 2 | Jan 21/2005 | 166 | |
| | | | | | 3 | Jan 21/2005 | 166 | |
| | | | 6 | 1 | Jan 21/2005 | 167-199 | | |
| | | | | | 2 | Jan 21/2005 | 167-199 | |
| | | | | | 3 | Jan 21/2005 | 167-199 | |
| | | | 7 | 1 | Jan 21/2005 | 275-299 | | |
| | | | | | 2 | Jan 21/2005 | 275-299 | |
| | | | | | 3 | Jan 21/2005 | 275-299 | |
| | | AFT SIDEWALL WASH LIGHTS & RIGHT BALLASTS | 33-21-35 | | 1 | 1 | Jan 21/2005 | 050-099 |
| | | | | | | | 2 | Jan 21/2005 |
| | | | | | 3 | Jan 21/2005 | 050-099 | |
| | 2 | | | 1 | Jan 21/2005 | 150-154 162-165 | | |
| | | | | | 2 | Jan 21/2005 | 150-154 162-165 | |
| | | | | | 3 | Jan 21/2005 | 150-154 162-165 | |
| | 3 | | | 1 | Jan 21/2005 | 155-156 166 | | |
| | | | | | 2 | Jan 21/2005 | 155-156 166 | |
| | | | | | 3 | Jan 21/2005 | 155-156 166 | |
| | 4 | | | 1 | Jan 21/2005 | 157 167-199 | | |
| | | | | | 2 | Jan 21/2005 | 157 167-199 | |
| | | | | | 3 | Jan 21/2005 | 157 167-199 | |
| | 5 | | | 1 | Jan 21/2005 | 275-299 | | |
| | | | | | 2 | Jan 21/2005 | 275-299 | |
| | | | | | 3 | Jan 21/2005 | 275-299 | |
| <u>PASSENGER LOADING LIGHTS</u> | | | | | | | | |
| ENTRY LIGHTS | 33-22-11 | | 1 | 1 | Jan 21/2005 | 050-099 150-154 162-165 | | |
| | | | | | 2 | Jan 21/2005 | 050-099 150-154 162-165 | |

33-CONTENTS

Page 15
Jun 28/2006

D280T132



767-200/300

WIRING DIAGRAM MANUAL

CHAPTER 33
LIGHTS

| Title | CH-SC-SU | Schem | Page | Sheet | Date | Effectivity |
|-----------------------------------|----------|-------|------|-------|-------------|-----------------|
| ENTRY LIGHTS (cont.) | 33-22-11 | | 2 | 1 | Jan 21/2005 | 155-156 166 |
| | | | | 2 | Jan 21/2005 | 155-156 166 |
| | | | 3 | 1 | Jan 21/2005 | 157 167-199 |
| | | | | 2 | Jan 21/2005 | 157 167-199 |
| | | | 4 | 1 | Jan 21/2005 | 275-278 |
| | | | | 2 | Jan 21/2005 | 275-278 |
| | | | 5 | 1 | Jan 21/2005 | 280-299 |
| | | | | 2 | Jan 21/2005 | 280-299 |
| CLOSET LIGHTS | 33-22-21 | | 1 | | Jan 21/2005 | 050-099 |
| | | | 2A | | Jan 21/2005 | 150 153-157 |
| | | | 3 | | Jan 21/2005 | 151-152 |
| | | | 4A | | Jan 21/2005 | 162-167 |
| | | | 5 | | Jan 21/2005 | 275-278 |
| | | | 6 | | Jan 21/2005 | 280-299 |
| ATTENDANTS LIGHTS | 33-22-31 | | 1 | | Jan 21/2005 | 050-099 |
| | | | 2 | | Jan 21/2005 | 150-199 |
| | | | 3 | | Jan 21/2005 | 275-278 |
| | | | 4 | 1 | Jan 21/2005 | 280-299 |
| | | | | 2 | Jan 21/2005 | 280-299 |
| PURSER LIGHTS | 33-22-32 | | 1A | | Jan 21/2005 | 050-051 |
| | | | 2A | | Jan 21/2005 | 150 153-157 |
| | | | 3 | | Jan 21/2005 | 151-152 |
| | | | 4A | | Jan 21/2005 | 162-167 |
| CREW REST LIGHTS | 33-22-33 | | 1 | | Jan 21/2005 | 050-099 162-199 |
| CEILING LIGHTS- FORWARD DIRECT | 33-22-41 | | 1 | 1 | Jan 21/2005 | 050-099 |
| | | | | 2 | Jan 21/2005 | 050-099 |
| | | | 2A | 1 | Jan 21/2005 | 150 152-167 |
| | | | | 2 | Jan 21/2005 | 150 152-167 |
| | | | 3 | 1 | Jan 21/2005 | 151 |
| | | | | 2 | Jan 21/2005 | 151 |
| | | | 4 | | Jan 21/2005 | 275-299 |
| CEILING LIGHTS- AFT DIRECT | 33-22-42 | | 1 | 1 | Jan 21/2005 | 050-099 |

33-CONTENTS

Page 16
Jun 28/2006

D280T132



767-200/300

WIRING DIAGRAM MANUAL

CHAPTER 33
LIGHTS

| Title | CH-SC-SU | Schem | Page | Sheet | Date | Effectivity | | |
|---------------------------------------|----------|------------------------------------------------|----------|-------------|-------------|-------------|-------------|---------|
| CEILING LIGHTS- AFT DIRECT (cont.) | 33-22-42 | | | 2 | Jan 21/2005 | 050-099 | | |
| | | | | 3 | Jan 21/2005 | 050-099 | | |
| | | 2A | 1 | Jan 21/2005 | 150 152-167 | | | |
| | | | 2 | Jan 21/2005 | 150 152-167 | | | |
| | | 3 | 1 | Jan 21/2005 | 151 | | | |
| | | | 2 | Jan 21/2005 | 151 | | | |
| | | 4 | 1 | Jan 21/2005 | 275-278 | | | |
| | | | 2 | Jan 21/2005 | 275-278 | | | |
| | | | 3 | Jan 21/2005 | 275-278 | | | |
| | | | 4 | Jan 21/2005 | 275-278 | | | |
| | | 5 | 1 | Jan 21/2005 | 280-299 | | | |
| | | | 2 | Jan 21/2005 | 280-299 | | | |
| | | | 3 | Jan 21/2005 | 280-299 | | | |
| | | | 4 | Jan 21/2005 | 280-299 | | | |
| | | <u>PASSENGER SERVICE CONTROL SYSTEM</u> | | | | | | |
| | | PASSENGER READING LIGHTS | 33-23-11 | | 1 | | Jan 21/2005 | ALL |
| <u>PASSENGER SIGNS</u> | | | | | | | | |
| PASSENGER SIGNS- LAVATORY | 33-24-11 | | 1 | 1 | Jan 21/2005 | 050-099 | | |
| | | | 2 | Jan 21/2005 | 050-099 | | | |
| | | 2A | 1 | Jan 21/2005 | 150 152-167 | | | |
| | | | 2 | Jan 21/2005 | 150 152-167 | | | |
| | | 3 | 1 | Jan 21/2005 | 151 | | | |
| | | | 2 | Jan 21/2005 | 151 | | | |
| | | 4 | 1 | Jan 21/2005 | 275-276 | | | |
| | | | 2 | Jan 21/2005 | 275-276 | | | |
| | | 5 | 1 | Jan 21/2005 | 277-278 | | | |
| | | | 2 | Jan 21/2005 | 277-278 | | | |
| | | 6 | 1 | Jan 21/2005 | 280-299 | | | |
| | | | 2 | Jan 21/2005 | 280-299 | | | |
| | | PASSENGER SIGNS- LEFT | 33-24-12 | | 1 | 1 | Jan 21/2005 | 050-099 |
| | | | | | 2 | Jan 21/2005 | 050-099 | |

33-CONTENTS



767-200/300

WIRING DIAGRAM MANUAL

CHAPTER 33
LIGHTS

| Title | CH-SC-SU | Schem | Page | Sheet | Date | Effectivity | | |
|-------------------------------------|----------|----------------------------|----------|-------|-------------|-------------|-------------|---------|
| PASSENGER SIGNS- LEFT (cont.) | 33-24-12 | | 2 | 1 | Jan 21/2005 | 150-199 | | |
| | | | | 2 | Jan 21/2005 | 150-199 | | |
| | | | 3 | 1 | Jan 21/2005 | 275-276 | | |
| | | | | 2 | Jan 21/2005 | 275-276 | | |
| | | | 4 | 1 | Jan 21/2005 | 277-278 | | |
| | | | | 2 | Jan 21/2005 | 277-278 | | |
| | | | 5 | 1 | Jan 21/2005 | 280-299 | | |
| | | | | 2 | Jan 21/2005 | 280-299 | | |
| | | PASSENGER SIGNS- CENTER | 33-24-13 | | 1 | 1 | Jan 21/2005 | 050-099 |
| | | | | | | 2 | Jan 21/2005 | 050-099 |
| | 2 | | | 1 | Jan 21/2005 | 150-199 | | |
| | | | | 2 | Jan 21/2005 | 150-199 | | |
| | 3 | | | 1 | Jan 21/2005 | 275 | | |
| | | | | 2 | Jan 21/2005 | 275 | | |
| | 4 | | | 1 | Jan 21/2005 | 276 | | |
| | | | | 2 | Jan 21/2005 | 276 | | |
| | 5 | | | 1 | Jan 21/2005 | 277-278 | | |
| | | | | 2 | Jan 21/2005 | 277-278 | | |
| PASSENGER SIGNS- RIGHT | 33-24-14 | | 1 | 1 | Jan 21/2005 | 050-099 | | |
| | | | | 2 | Jan 21/2005 | 050-099 | | |
| | | | 2 | 1 | Jan 21/2005 | 150-199 | | |
| | | | | 2 | Jan 21/2005 | 150-199 | | |
| | | | 3 | 1 | Jan 21/2005 | 275-276 | | |
| | | | | 2 | Jan 21/2005 | 275-276 | | |
| | | | 4 | 1 | Jan 21/2005 | 277-278 | | |
| | | | | 2 | Jan 21/2005 | 277-278 | | |
| | | | 5 | 1 | Jan 21/2005 | 280-299 | | |
| | | | | 2 | Jan 21/2005 | 280-299 | | |
| <u>PASSENGER CALL LIGHTS</u> | | | | | | | | |
| LAVATORY CALL SYSTEM | 33-25-11 | | 1 | 1 | Jan 21/2005 | 050-099 | | |

33-CONTENTS

Page 18
Jun 28/2006

D280T132



767-200/300

WIRING DIAGRAM MANUAL

CHAPTER 33
LIGHTS

| Title | CH-SC-SU | Schem | Page | Sheet | Date | Effectivity |
|---------------------------------|----------|-------|------|-------|-------------|-----------------|
| LAVATORY CALL SYSTEM (cont.) | 33-25-11 | | | 2 | Jan 21/2005 | 050-099 |
| | | | 2A | 1 | Jan 21/2005 | 150 153-154 156 |
| | | | | 2 | Jan 21/2005 | 150 153-154 156 |
| | | | 3 | 1 | Jan 21/2005 | 151-152 |
| | | | | 2 | Jan 21/2005 | 151-152 |
| | | | 4A | 1 | Jan 21/2005 | 155 157 |
| | | | | 2 | Jan 21/2005 | 155 157 |
| | | | 5A | 1 | Jan 21/2005 | 162-167 |
| | | | | 2 | Jan 21/2005 | 162-167 |
| | | | 6 | 1 | Jan 21/2005 | 275-276 |
| | | | | 2 | Jan 21/2005 | 275-276 |
| | | | 6.1 | 1 | Jan 21/2005 | 275-276 |
| | | | | 2 | Jan 21/2005 | 275-276 |
| | | | 7 | 1 | Jan 21/2005 | 277-278 |
| | | | | 2 | Jan 21/2005 | 277-278 |
| | | | 8 | 1 | Jan 21/2005 | 280-299 |
| | | | | 2 | Jan 21/2005 | 280-299 |
| LAVATORY LIGHTS | | | | | | |
| LAVATORY LIGHTS | 33-26-11 | | 1 | 1 | Jan 21/2005 | 050-099 |
| | | | | 2 | Jan 21/2005 | 050-099 |
| | | | 2.1 | 1 | Jan 21/2005 | 150 |
| | | | | 2 | Jan 21/2005 | 150 |
| | | | 3 | 1 | Jan 21/2005 | 151-199 |
| | | | | 2 | Jan 21/2005 | 151-199 |
| | | | 4 | 1 | Jan 21/2005 | 275-278 |
| | | | | 2 | Jan 21/2005 | 275-278 |
| | | | 5 | 1 | Jan 21/2005 | 280-299 |
| | | | | 2 | Jan 21/2005 | 280-299 |
| LAVATORY LIGHTS- OCCUPIED | 33-26-21 | | 1.1A | 1 | Jan 21/2005 | 050 |
| | | | | 2 | Jan 21/2005 | 050 |
| | | | 2.1A | 1 | Jan 21/2005 | 051 |
| | | | | 2 | Jan 21/2005 | 051 |

33-CONTENTS



767-200/300

WIRING DIAGRAM MANUAL

CHAPTER 33
LIGHTS

| Title | CH-SC-SU | Schem | Page | Sheet | Date | Effectivity |
|--------------------------------------|----------|-------------|---------|-------|-------------|-----------------|
| LAVATORY LIGHTS- OCCUPIED (cont.) | 33-26-21 | | 3.1A | | Jan 21/2005 | 150 154 |
| | | | 4.1A | | Jan 21/2005 | 151-152 |
| | | | 5.1A | | Jan 21/2005 | 153 |
| | | | 6.1A | | Jan 21/2005 | 155 |
| | | | 7A | | Jan 21/2005 | 156-157 |
| | | | 8A | 1 | Jan 21/2005 | 162-165 |
| | | | | 2 | Jan 21/2005 | 162-165 |
| | | | 9A | 1 | Jan 21/2005 | 166 |
| | | | | 2 | Jan 21/2005 | 166 |
| | | | 10 | 1 | Jan 21/2005 | 167-199 |
| | | | | 2 | Jan 21/2005 | 167-199 |
| | | | 11 | | Jan 21/2005 | 275-278 |
| 12 | | Jan 21/2005 | 280-299 | | | |
| <u>GALLEY LIGHTS</u> | | | | | | |
| GALLEY LIGHTS | 33-27-11 | | 1 | 1 | Jan 21/2005 | 050-099 |
| | | | | 2 | Jan 21/2005 | 050-099 |
| | | | | 3 | Jan 21/2005 | 050-099 |
| | | | | 4 | Jan 21/2005 | 050-099 |
| | | | 2 | 1 | Jan 21/2005 | 150-154 157 |
| | | | | 2 | Jan 21/2005 | 150-154 157 |
| | | | | 3 | Jan 21/2005 | 150-154 157 |
| | | | | 4 | Jan 21/2005 | 150-154 157 |
| | | | 3 | 1 | Jan 21/2005 | 155-156 |
| | | | | 2 | Jan 21/2005 | 155-156 |
| | | | | 3 | Jan 21/2005 | 155-156 |
| | | | | 4 | Jan 21/2005 | 155-156 |
| | | | 4 | 1 | Jan 21/2005 | 162-165 167-199 |
| | | | | 2 | Jan 21/2005 | 162-165 167-199 |
| | | | | 3 | Jan 21/2005 | 162-165 167-199 |
| | | | | 4 | Jan 21/2005 | 162-165 167-199 |
| | | | | 5 | Jan 21/2005 | 162-165 167-199 |
| | | | 5 | 1 | Jan 21/2005 | 166 |
| | | | | 2 | Jan 21/2005 | 166 |

33-CONTENTS

Page 20
Jun 28/2006

D280T132



767-200/300

WIRING DIAGRAM MANUAL

CHAPTER 33
LIGHTS

| Title | CH-SC-SU | Schem | Page | Sheet | Date | Effectivity | | |
|----------------------------------------------|----------|-----------------------|----------|-------------|-----------------|-------------|-------------------------|--|
| GALLEY LIGHTS (cont.) | 33-27-11 | | | 3 | Jan 21/2005 | 166 | | |
| | | | | 4 | Jan 21/2005 | 166 | | |
| | | | | 5 | Jan 21/2005 | 166 | | |
| | | | 6 | 1 | Jan 21/2005 | 275-278 | | |
| | | | | 2 | Jan 21/2005 | 275-278 | | |
| | | | | 3 | Jan 21/2005 | 275-278 | | |
| | | | | 4 | Jan 21/2005 | 275-278 | | |
| | | | 7 | 1 | Jan 21/2005 | 280-299 | | |
| | | | | 2 | Jan 21/2005 | 280-299 | | |
| | | | | 3 | Jan 21/2005 | 280-299 | | |
| | | | | 4 | Jan 21/2005 | 280-299 | | |
| | | SERVICE LIGHTS | | | | | | |
| | | WHEEL WELL LIGHTS | 33-31-11 | | 1 | Jan 21/2005 | 050-099 155-199 277-299 | |
| | 2 | | | Jan 21/2005 | 150-154 | | | |
| | 3.1 | | | Jan 21/2005 | 275-276 | | | |
| AIR CONDITIONING COMPARTMENT LIGHTS | 33-31-21 | | 1 | Jan 21/2005 | ALL | | | |
| APU & TAILCONE COMPARTMENT LIGHTS | 33-31-31 | | 1 | Jan 21/2005 | ALL | | | |
| ELECTRICAL EQUIPMENT CENTER LIGHTS | 33-31-41 | | 1 | Jan 21/2005 | ALL | | | |
| CARGO LOADING EXTERIOR AREA LIGHTS | 33-31-61 | | 1 | Jan 21/2005 | 050-099 | | | |
| | | | 2 | Jan 21/2005 | 150-154 | | | |
| | | | 3 | Jan 21/2005 | 155-199 | | | |
| | | | 4 | Jan 21/2005 | 275-276 | | | |
| | | | 5 | Jan 21/2005 | 277-299 | | | |
| LOWER LOBE COMPARTMENT LIGHTS | | | | | | | | |
| CARGO LIGHTS- LOWER LOBE-FORWARD COMPARTMENT | 33-37-11 | | 1 | Jan 21/2005 | 050-099 | | | |
| | | | 2 | Jan 21/2005 | 150-199 275-299 | | | |
| CARGO LIGHTS- LOWER LOBE- AFT COMPARTMENT | 33-37-21 | | 1 | Jan 21/2005 | 050-099 | | | |
| | | | 2 | Jan 21/2005 | 150-199 275-299 | | | |

33-CONTENTS



767-200/300

WIRING DIAGRAM MANUAL

CHAPTER 33
LIGHTS

| Title | CH-SC-SU | Schem | Page | Sheet | Date | Effectivity |
|-------------------------------------------------|----------|-------|------|-------|-------------|-------------------------|
| <u>WING ILLUMINATION LIGHTS</u> | | | | | | |
| ILLUMINATION LIGHTS- WING | 33-41-11 | | 1 | | Jan 21/2005 | 050-099 |
| | | | 2 | | Jan 21/2005 | 150-199 275-299 |
| <u>LANDING AND RUNWAY TURNOFF LIGHTS</u> | | | | | | |
| LANDING LIGHTS | 33-42-11 | | 1 | 1 | Jan 21/2005 | 050-099 |
| | | | | 2 | Jan 21/2005 | 050-099 |
| | | | 2 | 1 | Jan 21/2005 | 150-199 275-299 |
| | | | | 2 | Jan 21/2005 | 150-199 275-299 |
| RUNWAY TURNOFF & TAXI LIGHTS | 33-42-21 | | 1 | | Jan 21/2005 | 050-099 |
| | | | 2 | | Jan 21/2005 | 150-199 275-299 |
| <u>POSITION LIGHTS</u> | | | | | | |
| POSITION LIGHTS | 33-43-11 | | 1 | 1 | Jan 21/2005 | 050-099 |
| | | | | 2 | Jan 21/2005 | 050-099 |
| | | | 2 | 1 | Jan 21/2005 | 150-154 275 |
| | | | | 2 | Jan 21/2005 | 150-154 275 |
| | | | 3 | 1 | Jan 21/2005 | 155-199 276-299 |
| | | | | 2 | Jan 21/2005 | 155-199 276-299 |
| <u>ANTI-COLLISION LIGHTS</u> | | | | | | |
| ANTI-COLLISION LIGHTS- BODY | 33-44-11 | | 1 | | Jan 21/2005 | 050-099 153-199 275-299 |
| | | | 2.1 | | Jan 21/2005 | 150-152 |
| ANTI-COLLISION LIGHTS- WING | 33-44-21 | | 1 | | Jan 21/2005 | ALL |
| <u>LOGO LIGHTS</u> | | | | | | |
| LOGO LIGHTS | 33-45-11 | | 1 | | Jan 21/2005 | ALL |
| <u>EMERGENCY LIGHTS</u> | | | | | | |
| INTERIOR EMERGENCY LIGHTS CONTROL | 33-51-11 | | 1 | 1 | Jan 21/2005 | 050-099 |
| | | | | 2 | Jan 21/2005 | 050-099 |
| | | | | 3 | Jan 21/2005 | 050-099 |
| | | | 1.1 | 1 | Jan 21/2005 | 050-051 |
| | | | | 2 | Jan 21/2005 | 050-051 |
| | | | | 3 | Jan 21/2005 | 050-051 |

33-CONTENTS

Page 22
Jun 28/2006

D280T132



767-200/300

WIRING DIAGRAM MANUAL

CHAPTER 33
LIGHTS

| Title | CH-SC-SU | Schem | Page | Sheet | Date | Effectivity | |
|-------------------------------------------|----------|-------------|---------------------------------|----------|-------------|-------------|---------|
| INTERIOR EMERGENCY LIGHTS CONTROL (cont.) | 33-51-11 | | 2 | 1 | Jan 21/2005 | 150-199 | |
| | | | | 2 | Jan 21/2005 | 150-199 | |
| | | | | 3 | Jan 21/2005 | 150-199 | |
| | | | 2.1 | 1 | Jan 21/2005 | 162-163 | |
| | | | | 2 | Jan 21/2005 | 162-163 | |
| | | | | 3 | Jan 21/2005 | 162-163 | |
| | | | | 3 | 1 | Jan 21/2005 | 275-299 |
| | | | | 2 | Jan 21/2005 | 275-299 | |
| | | | | 3 | Jan 21/2005 | 275-299 | |
| | | | INTERIOR EMERGENCY LIGHTS RIGHT | 33-51-12 | | 1 | |
| 2 | | Jan 21/2005 | | | | 150-156 | |
| 3 | | Jan 21/2005 | | | | 157 | |
| 4 | | Jan 21/2005 | | | | 162-199 | |
| 5 | | Jan 21/2005 | | | | 275-299 | |
| 5.1 | | Jan 21/2005 | | | | 275-276 | |
| INTERIOR EMERGENCY LIGHTS LEFT | 33-51-13 | | 1 | | Jan 21/2005 | 050-099 | |
| | | | 2 | | Jan 21/2005 | 150-156 | |
| | | | 3 | | Jan 21/2005 | 157 | |
| | | | 4 | | Jan 21/2005 | 162-199 | |
| | | | 5 | | Jan 21/2005 | 275-299 | |
| | | | 5.1 | | Jan 21/2005 | 275-276 | |
| INTERIOR EMERGENCY LIGHTS EXIT SIGNS | 33-51-14 | | 1 | 1 | Jan 21/2005 | 050-099 | |
| | | | | 2 | Jan 21/2005 | 050-099 | |
| | | | 2A | 1 | Jan 21/2005 | 150 152-157 | |
| | | | | 2 | Jan 21/2005 | 150 152-157 | |
| | | | 3 | 1 | Jan 21/2005 | 151 | |
| | | | | 2 | Jan 21/2005 | 151 | |
| | | | 4A | 1 | Jan 21/2005 | 162-167 | |
| | | | | 2 | Jan 21/2005 | 162-167 | |
| | | | 5 | | Jan 21/2005 | 275-299 | |

33-CONTENTS



767-200/300

WIRING DIAGRAM MANUAL

CHAPTER 33 LIGHTS

| Title | CH-SC-SU | Schem | Page | Sheet | Date | Effectivity | |
|--------------------------------------------|----------|-------|------|-------|-------------|-------------|---------|
| EMERGENCY FLOOR LIGHTS- RIGHT & CROSSAISLE | 33-51-16 | | 1 | | Jan 21/2005 | 050-099 | |
| | | | 2 | | Jan 21/2005 | 150-199 | |
| | | | 3 | | Jan 21/2005 | 275-278 | |
| | | | 4 | | Jan 21/2005 | 280-299 | |
| EMERGENCY FLOOR LIGHTS- LEFT | 33-51-17 | | 1 | | Jan 21/2005 | 050-099 | |
| | | | 2 | | Jan 21/2005 | 150-199 | |
| | | | 3 | | Jan 21/2005 | 275-278 | |
| | | | 4 | | Jan 21/2005 | 280-299 | |
| EXTERNAL EMERGENCY LIGHTS | 33-51-21 | | 1 | 1 | Jan 21/2005 | 050-099 | |
| | | | | 2 | | Jan 21/2005 | 050-099 |
| | | | 2 | 1 | Jan 21/2005 | 150-199 | |
| | | | | 2 | | Jan 21/2005 | 150-199 |
| | | | 3.1 | 1 | Jan 21/2005 | 275-276 | |
| | | | | 2 | | Jan 21/2005 | 275-276 |
| | | | 4 | 1 | Jan 21/2005 | 277-299 | |
| | | | | 2 | | Jan 21/2005 | 277-299 |

33-CONTENTS

Page 24
Jun 28/2006

D280T132



767-200/300

WIRING DIAGRAM MANUAL

CHAPTER 33 LIGHTS

| CH-SC-SU | Title |
|----------|----------------------------------------------|
| 33-21-34 | AFT SIDEWALL WASH LIGHTS & LEFT BALLASTS |
| 33-21-35 | AFT SIDEWALL WASH LIGHTS & RIGHT BALLASTS |
| 33-31-21 | AIR CONDITIONING COMPARTMENT LIGHTS |
| 33-44-11 | ANTI-COLLISION LIGHTS- BODY |
| 33-44-21 | ANTI-COLLISION LIGHTS- WING |
| 33-31-31 | APU & TAILCONE COMPARTMENT LIGHTS |
| 33-22-31 | ATTENDANTS LIGHTS |
| 33-37-21 | CARGO LIGHTS- LOWER LOBE- AFT COMPARTMENT |
| 33-37-11 | CARGO LIGHTS- LOWER LOBE-FORWARD COMPARTMENT |
| 33-31-61 | CARGO LOADING EXTERIOR AREA LIGHTS |
| 33-21-12 | CEILING LIGHT CONTROL- MID & AFT INDIRECT |
| 33-22-42 | CEILING LIGHTS- AFT DIRECT |
| 33-21-14 | CEILING LIGHTS- AFT INDIRECT |
| 33-22-41 | CEILING LIGHTS- FORWARD DIRECT |
| 33-21-11 | CEILING LIGHTS- FORWARD INDIRECT |
| 33-21-13 | CEILING LIGHTS- MID INDIRECT |
| 33-14-21 | CHART LIGHTS |
| 33-22-21 | CLOSET LIGHTS |
| 33-22-33 | CREW REST LIGHTS |
| 33-11-14 | DOME LIGHTS- FLIGHT DECK |
| 33-31-41 | ELECTRICAL EQUIPMENT CENTER LIGHTS |
| 33-51-17 | EMERGENCY FLOOR LIGHTS- LEFT |
| 33-51-16 | EMERGENCY FLOOR LIGHTS- RIGHT & CROSSAISLE |
| 33-22-11 | ENTRY LIGHTS |
| 33-51-21 | EXTERNAL EMERGENCY LIGHTS |
| 33-11-15 | FLIGHT DECK LIGHT DIMMING OVERRIDE CONTROL |
| 33-14-31 | FLIGHT KIT & UTILITY LIGHTS |
| 33-11-13 | FLOODLIGHTS- GLARESHIELD & AISLE STAND |

33-ALPHABETICAL INDEX

D280T132

Page 1
Jan 21/2005



767-200/300

WIRING DIAGRAM MANUAL

CHAPTER 33 LIGHTS

| CH-SC-SU | Title |
|----------|----------------------------------------------------|
| 33-11-16 | FLOODLIGHTS- MAIN POWER DISTRIBUTION P6 PANEL |
| 33-11-11 | FLOODLIGHTS- PILOTS INSTRUMENT PANELS |
| 33-21-32 | FORWARD SIDEWALL WASH LIGHTS & LEFT BALLASTS |
| 33-21-33 | FORWARD SIDEWALL WASH LIGHTS & RIGHT BALLASTS |
| 33-27-11 | GALLEY LIGHTS |
| 33-41-11 | ILLUMINATION LIGHTS- WING |
| 33-13-18 | INSTRUMENT & PANEL LIGHTS AISLE STAND |
| 33-13-11 | INSTRUMENT & PANEL LIGHTS CAPTAINS |
| 33-13-13 | INSTRUMENT & PANEL LIGHTS FIRST OFFICER |
| 33-13-17 | INSTRUMENT & PANEL LIGHTS GLARESHIELD |
| 33-13-19 | INSTRUMENT & PANEL LIGHTS OVERHEAD CIRCUIT BREAKER |
| 33-13-16 | INSTRUMENT & PANEL LIGHTS PILOTS- OVERHEAD PANEL |
| 33-13-21 | INSTRUMENT & PANEL LIGHTS SUPERNUMERARY |
| 33-51-11 | INTERIOR EMERGENCY LIGHTS CONTROL |
| 33-51-14 | INTERIOR EMERGENCY LIGHTS EXIT SIGNS |
| 33-51-13 | INTERIOR EMERGENCY LIGHTS LEFT |
| 33-51-12 | INTERIOR EMERGENCY LIGHTS RIGHT |
| 33-00-11 | LAMP USAGE CHART |
| 33-42-11 | LANDING LIGHTS |
| 33-25-11 | LAVATORY CALL SYSTEM |
| 33-26-11 | LAVATORY LIGHTS |
| 33-26-21 | LAVATORY LIGHTS- OCCUPIED |
| 33-45-11 | LOGO LIGHTS |
| 33-14-11 | MAP LIGHTS |
| 33-16-13 | MASTER DIM & TEST- CAPTAINS PANEL |
| 33-16-14 | MASTER DIM & TEST- CATHODE RAY TUBE DISPLAYS |
| 33-16-18 | MASTER DIM & TEST- CONTROL STAND ELECTRONIC PANELS |
| 33-16-15 | MASTER DIM & TEST- FIRST OFFICERS PANEL |

33-ALPHABETICAL INDEX

D280T132

Page 2
Jan 21/2005



767-200/300

WIRING DIAGRAM MANUAL

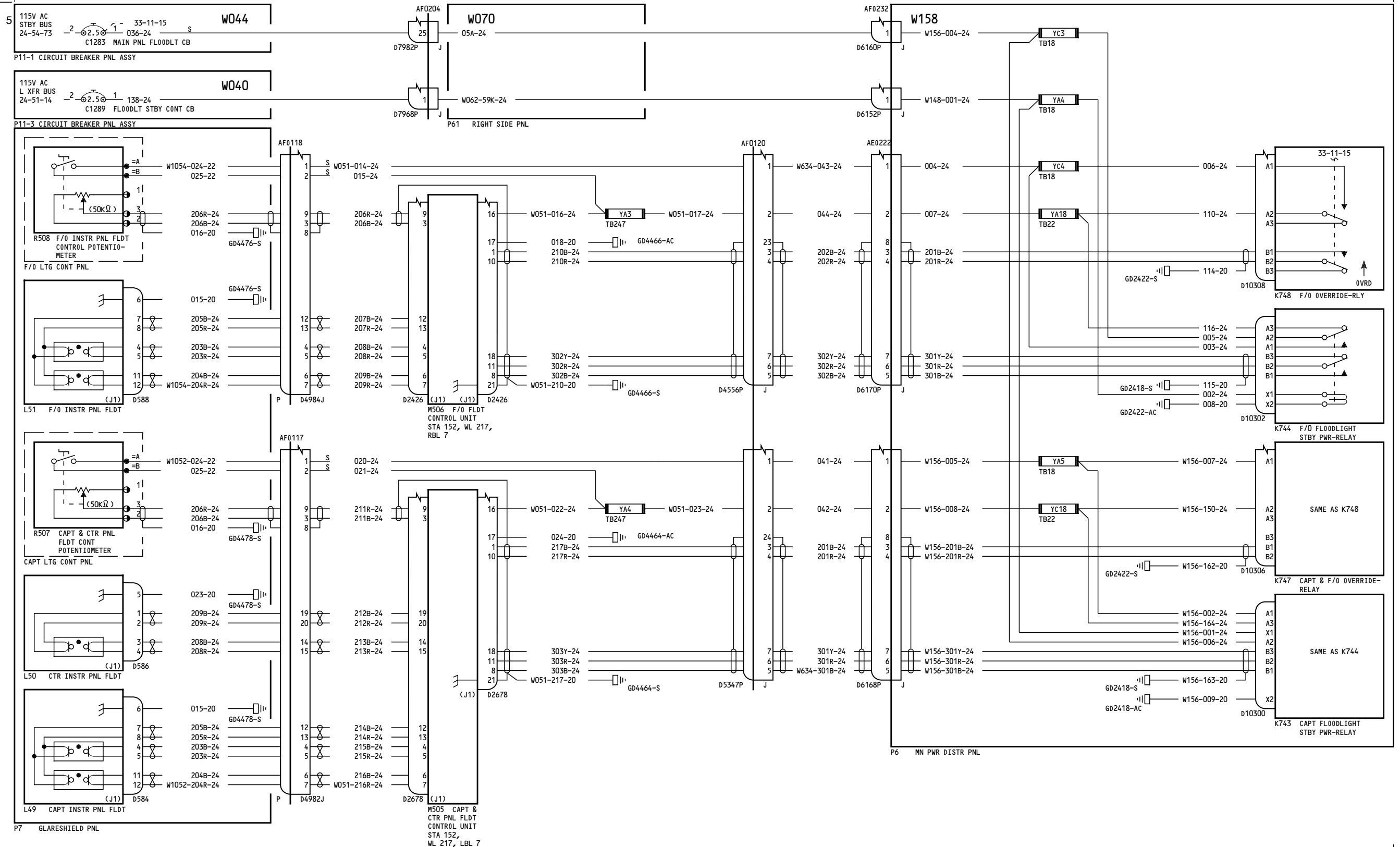
CHAPTER 33 LIGHTS

| CH-SC-SU | Title |
|----------|-----------------------------------------------------------------|
| 33-16-11 | MASTER DIM & TEST- PILOTS CONTROL |
| 33-16-16 | MASTER DIM & TEST- PILOTS GLARESHIELD |
| 33-16-17 | MASTER DIM & TEST- PILOTS OVERHEAD & OVERHEAD CB PANEL |
| 33-16-12 | MASTER DIM & TEST- PILOTS POWER & GROUND DISTRIBUTION |
| 33-16-26 | MASTER DIM & TEST- RIGHT SIDE PANEL |
| 33-16-21 | MASTER DIM & TEST- RIGHT SIDE PANEL CONTROL |
| 33-16-22 | MASTER DIM & TEST- RIGHT SIDE PANEL POWER & GROUND DISTRIBUTION |
| 33-21-21 | NIGHT LIGHTS |
| 33-23-11 | PASSENGER READING LIGHTS |
| 33-24-13 | PASSENGER SIGNS- CENTER |
| 33-24-11 | PASSENGER SIGNS- LAVATORY |
| 33-24-12 | PASSENGER SIGNS- LEFT |
| 33-24-14 | PASSENGER SIGNS- RIGHT |
| 33-43-11 | POSITION LIGHTS |
| 33-22-32 | PURSER LIGHTS |
| 33-42-21 | RUNWAY TURNOFF & TAXI LIGHTS |
| 33-21-31 | SIDEWALL WASH LIGHTS CONTROL |
| 33-31-11 | WHEEL WELL LIGHTS |

33-ALPHABETICAL INDEX

D280T132

Page 3
Jan 21/2005



ALL

**FLOODLIGHTS-
PILOTS INSTRUMENT PANELS**

D280T132

33-11-11

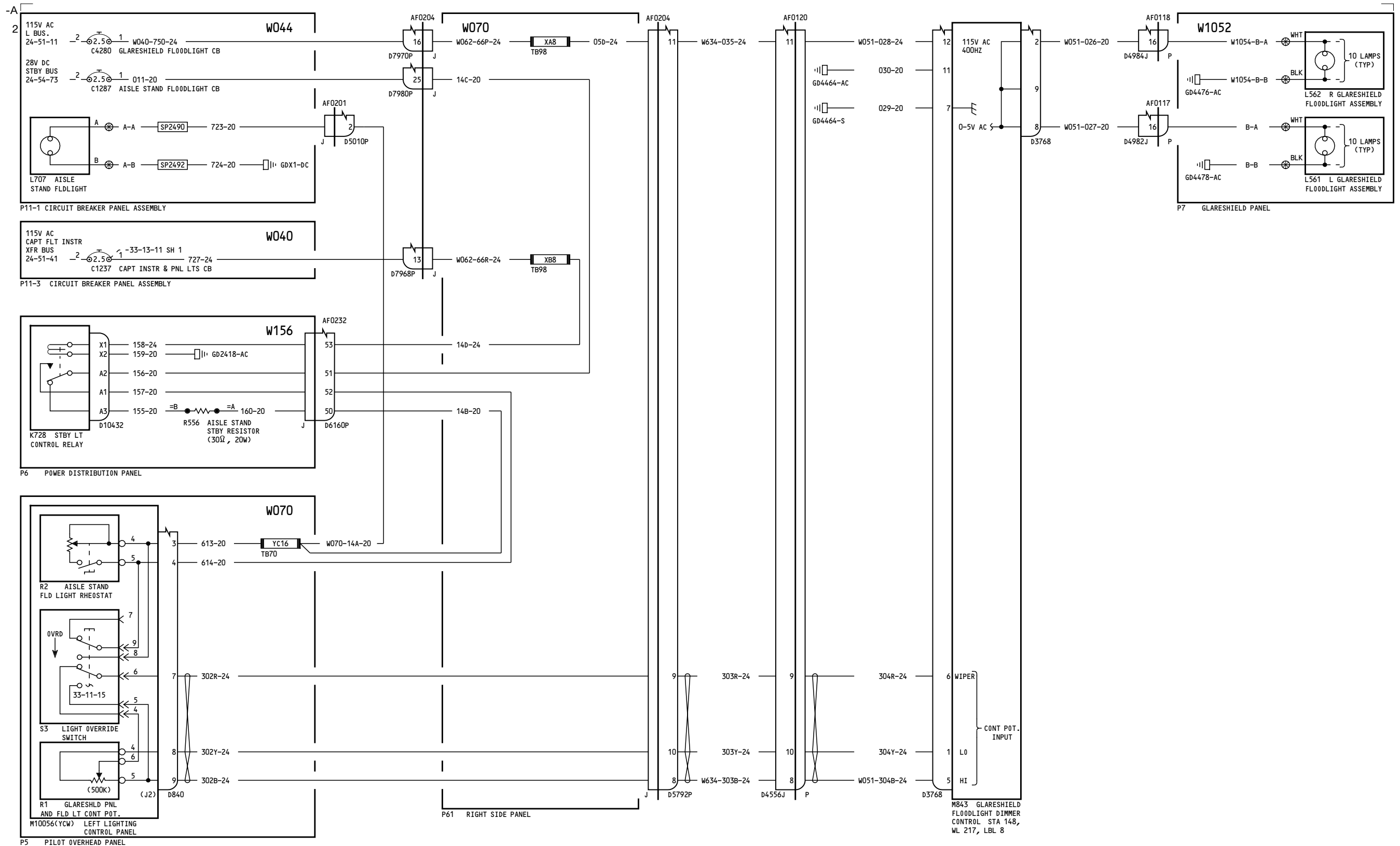
Page 1

Jan 21/2005

33-11-11

Page 1

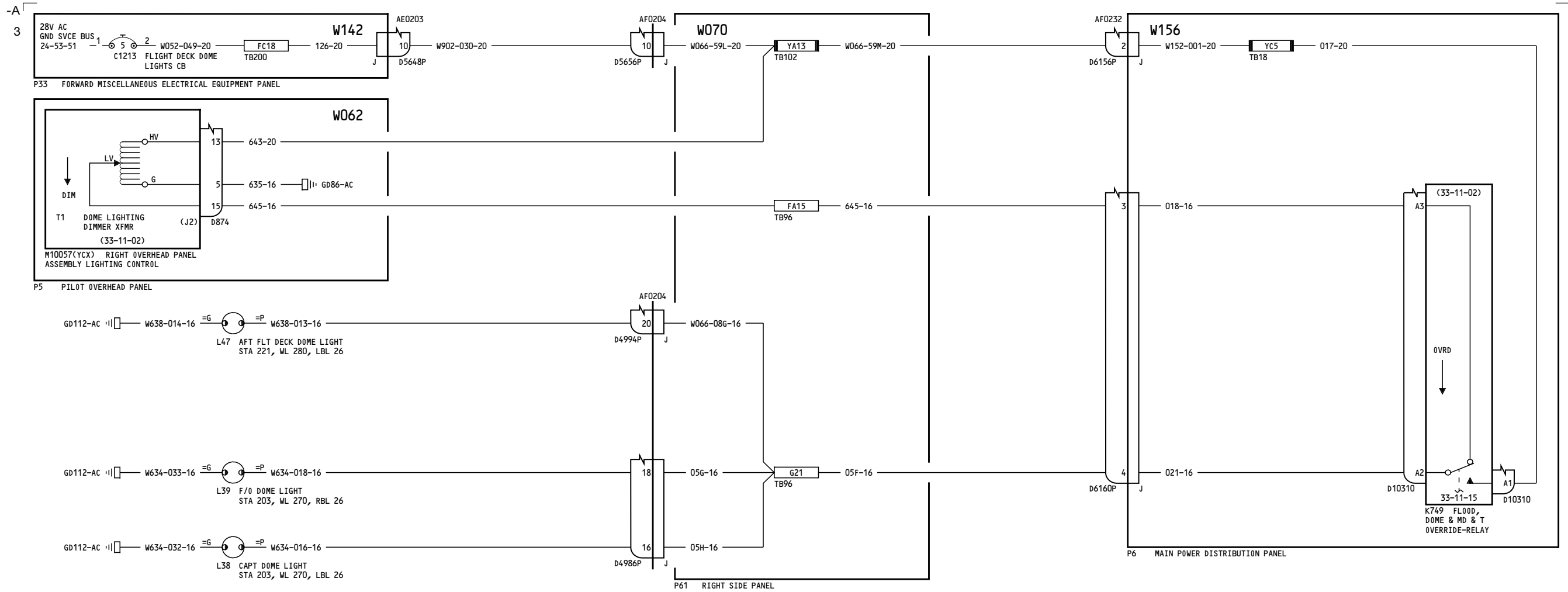
Jan 21/2005



ALL
**FLOODLIGHTS-
 GLARESHIELD & AISLE STAND**
 D280T132

33-11-13
 Page 1
 Jan 21/2005

33-11-13
 Page 1
 Jan 21/2005



ALL

**DOME LIGHTS-
FLIGHT DECK**

33-11-14

Page 1

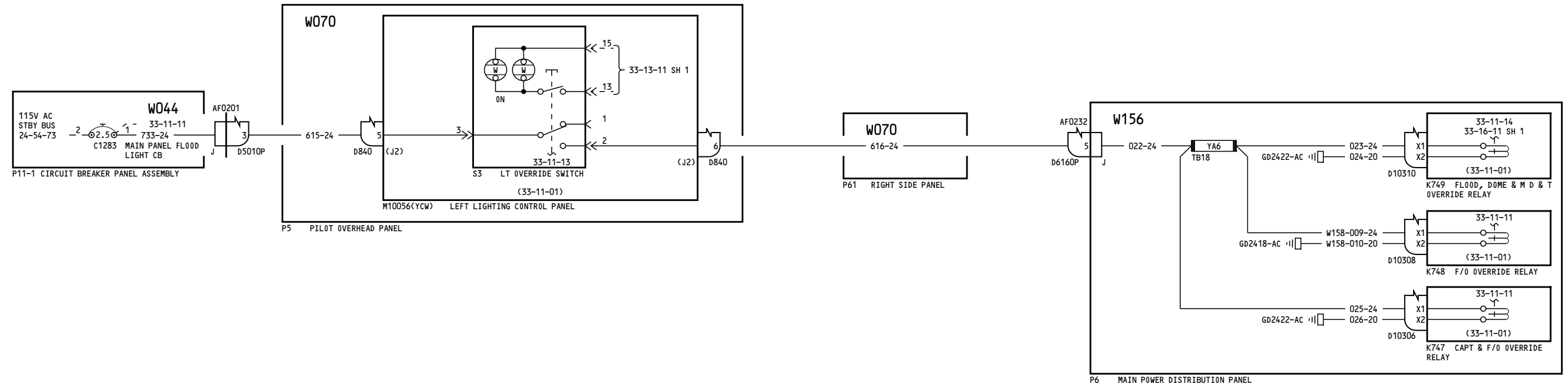
Jan 21/2005

D280T132

33-11-14

Page 1

Jan 21/2005



| | |
|-----|-------------------------------------------------------|
| ALL | FLIGHT DECK LIGHT DIMMING OVERRIDE CONTROL |
| | D280T132 |

33-11-15

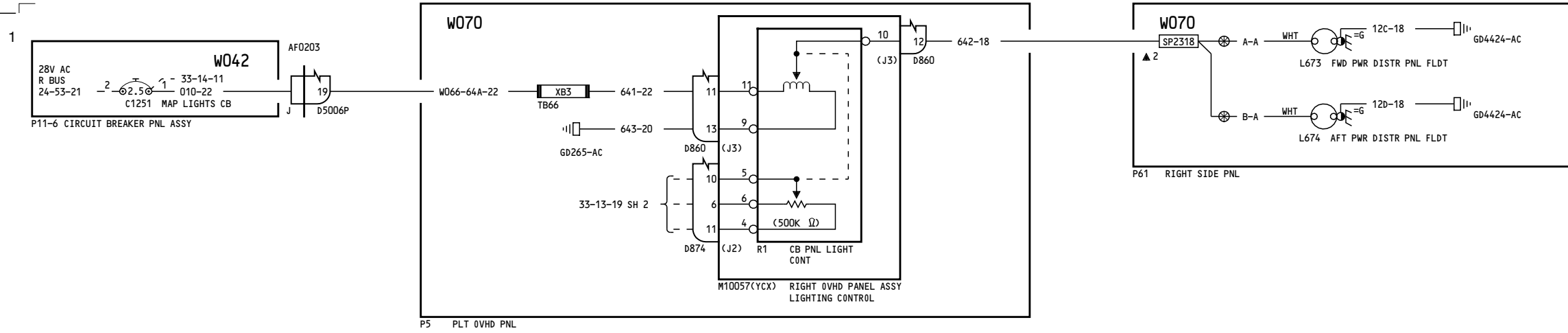
Page 1

Jan 21/2005

33-11-15

Page 1

Jan 21/2005



ALL

**FLOODLIGHTS-
MAIN POWER DISTRIBUTION
P6 PANEL**

D280T132

33-11-16

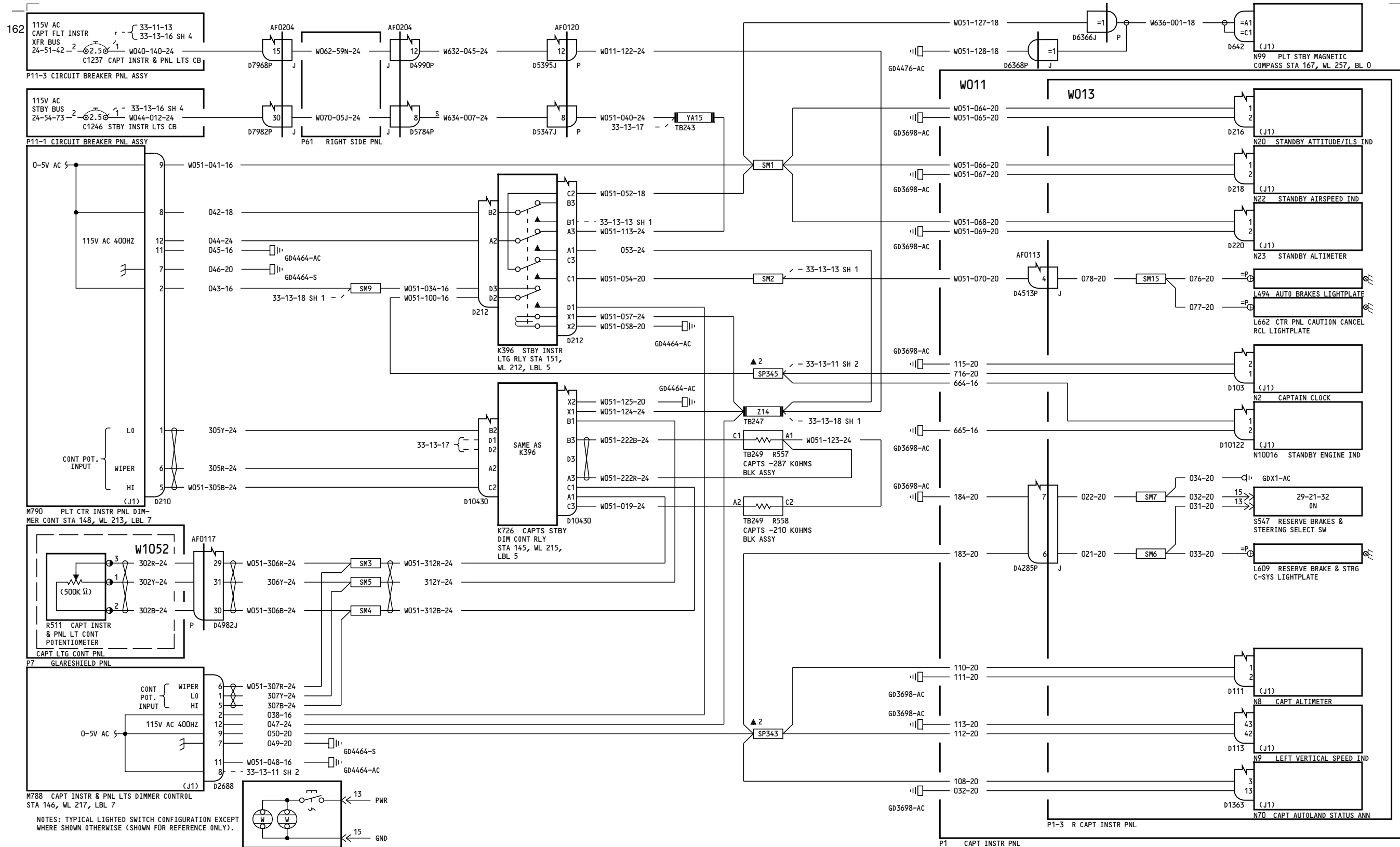
Page 1

Jan 21/2005

33-11-16

Page 1

Jan 21/2005



NOTES: TYPICAL LIGHTED SWITCH CONFIGURATION EXCEPT WHERE SHOWN OTHERWISE (SHOWN FOR REFERENCE ONLY).

050-051, 151

INSTRUMENT & PANEL LIGHTS CAPTAINS

33-13-11

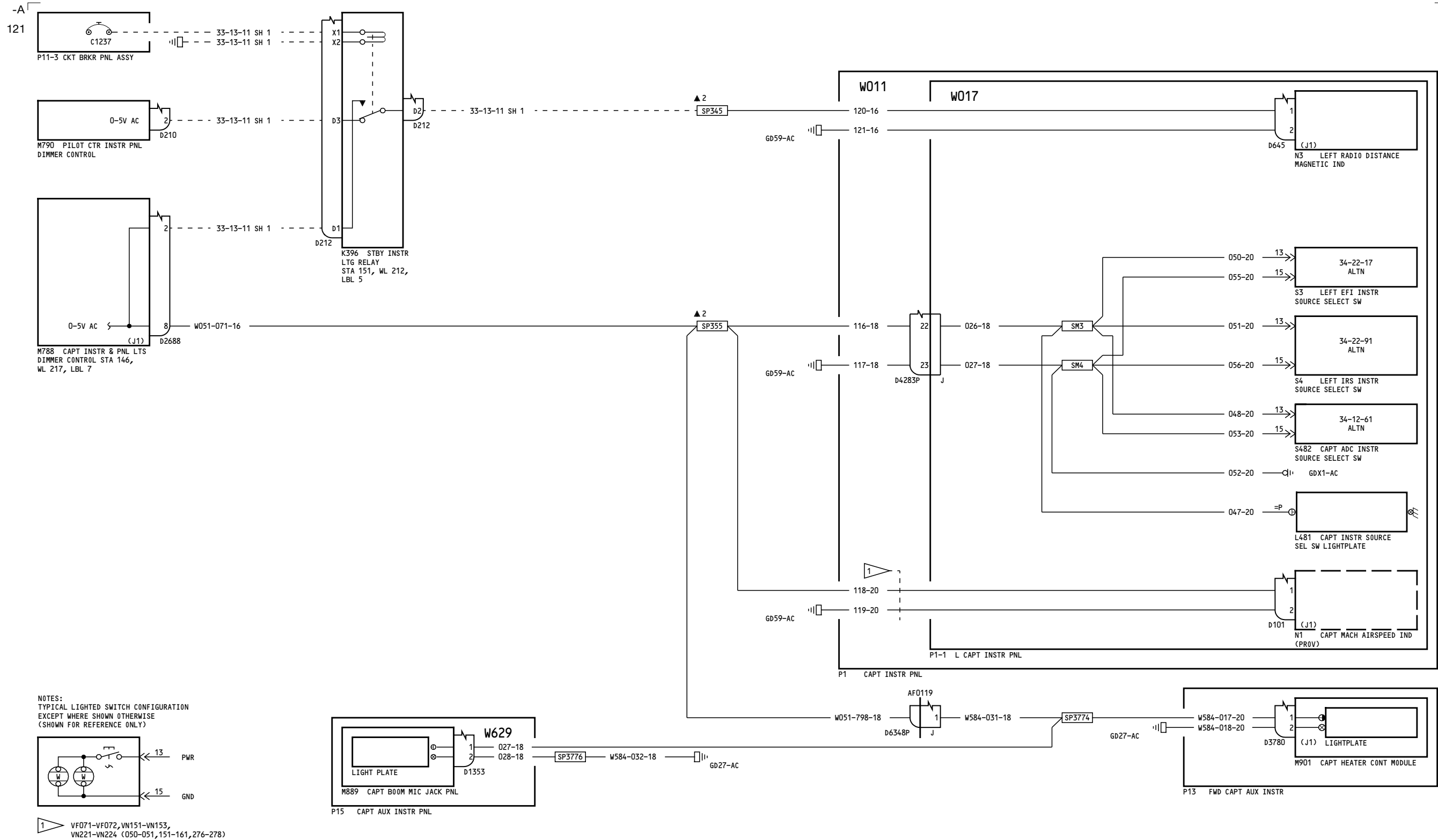
Page 1A
Sheet 1
Jan 21/2005

D280T132

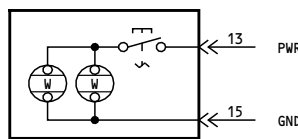
Incorporates
MTO 340652

33-13-11

Page 1A
Sheet 1
Jan 21/2005



NOTES:
TYPICAL LIGHTED SWITCH CONFIGURATION
EXCEPT WHERE SHOWN OTHERWISE
(SHOWN FOR REFERENCE ONLY)



1 VFO71-VFO72, VN151-VN153,
VN221-VN224 (050-051, 151-161, 276-278)

050-051, 151

**INSTRUMENT & PANEL LIGHTS
CAPTAINS**

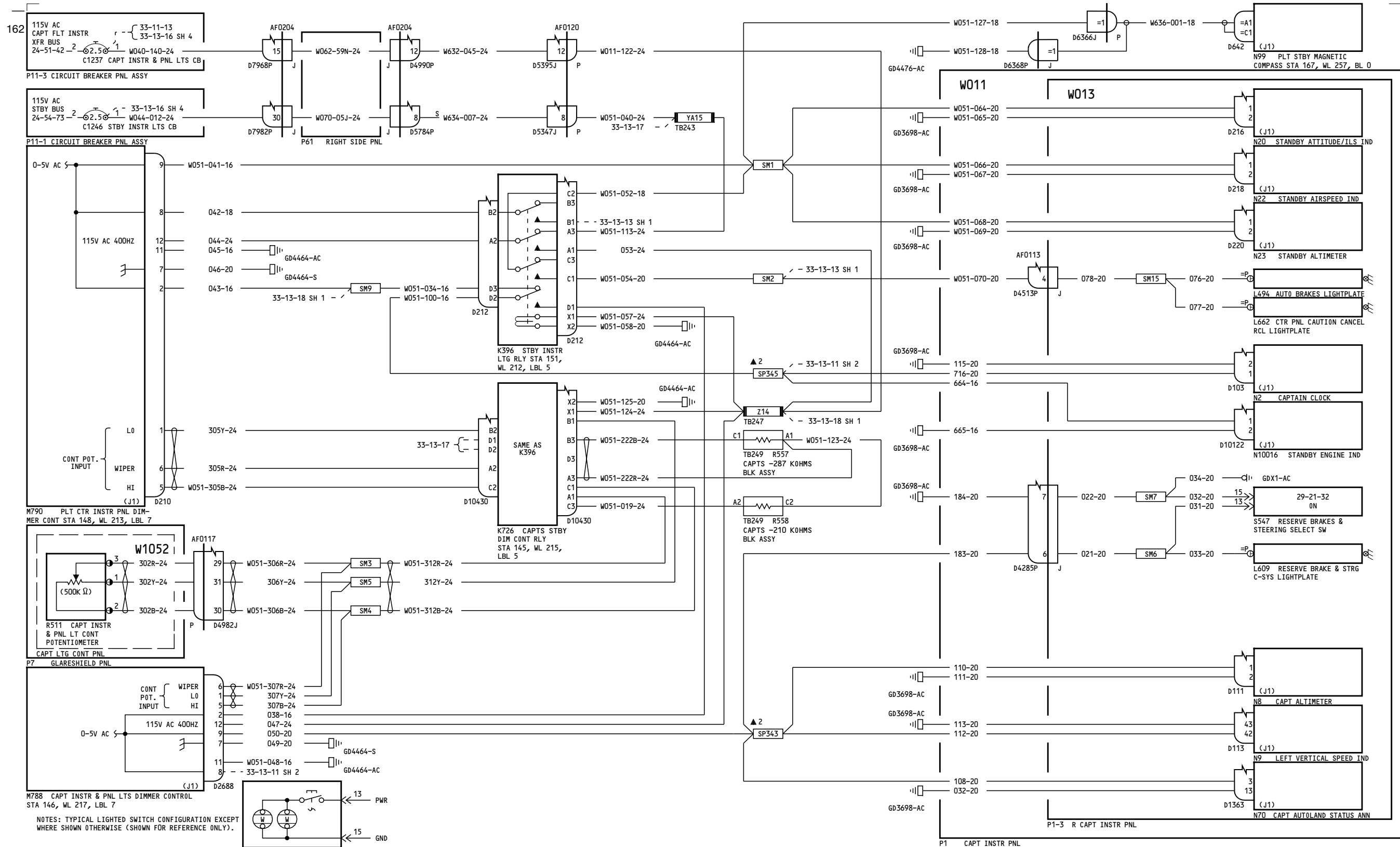
D280T132

33-13-11

Page 1A
Sheet 2
Jan 21/2005

33-13-11

Page 1A
Sheet 2
Jan 21/2005



150, 152, 155-278

INSTRUMENT & PANEL LIGHTS CAPTAINS

33-13-11

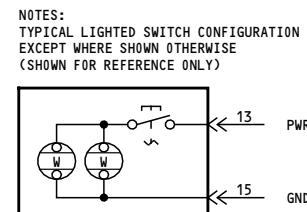
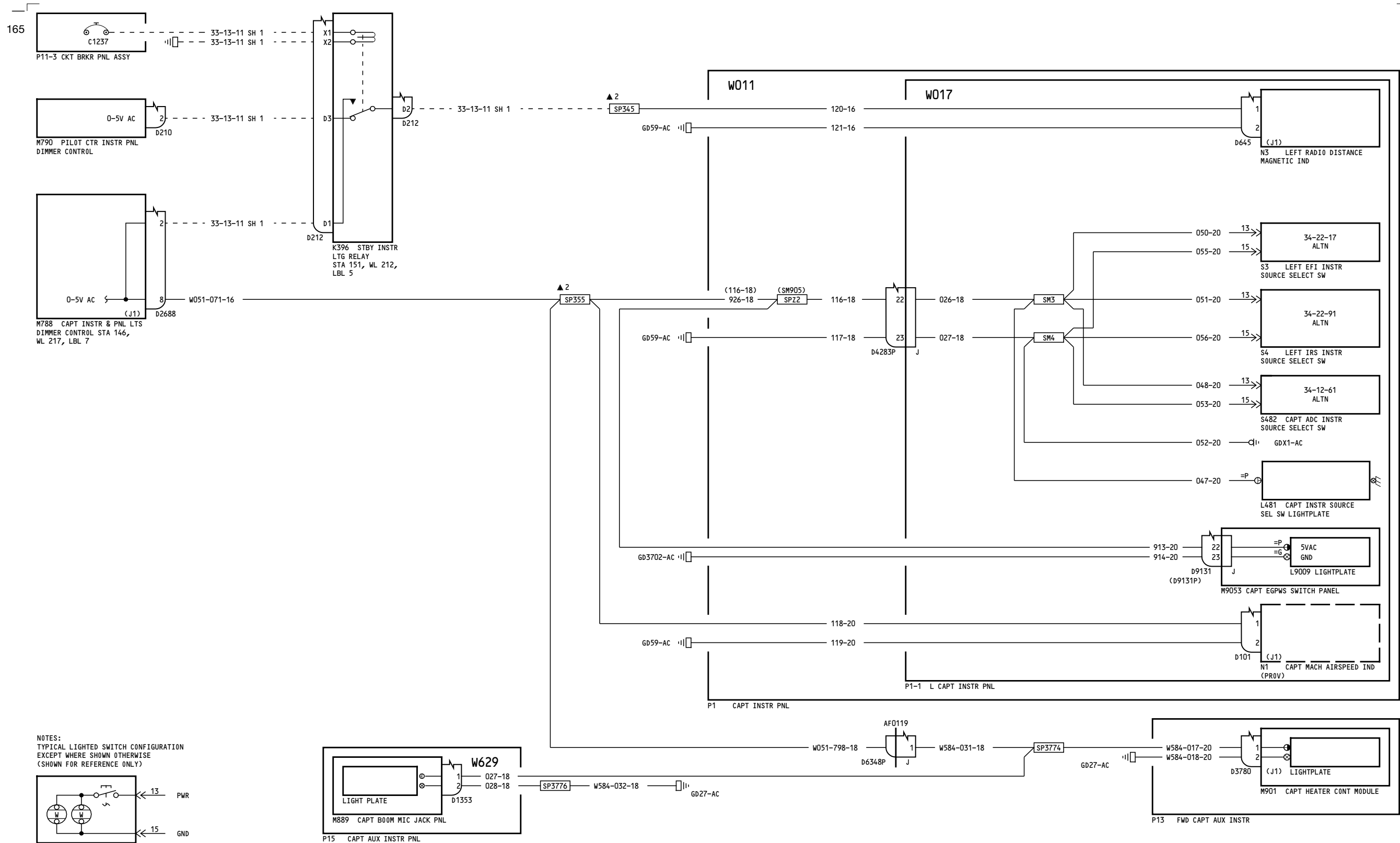
Incorporates
MTO 340652

33-13-11

D280T132

Page 2A
Sheet 1
Jan 21/2005

Page 2A
Sheet 1
Jan 21/2005



150, 152, 155-278

**INSTRUMENT & PANEL LIGHTS
CAPTAINS**

D280T132

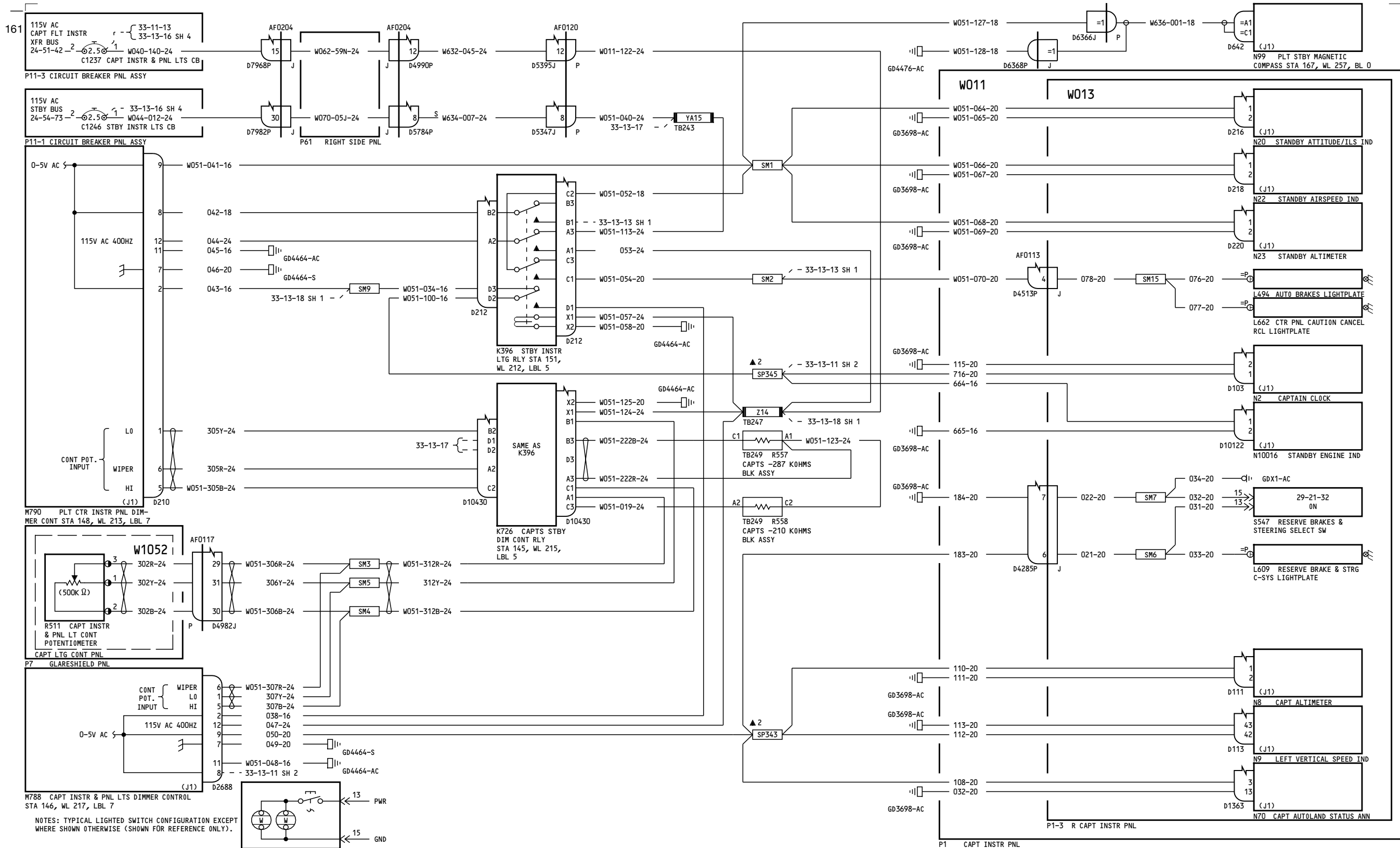
33-13-11

Page 2A
Sheet 2
Jan 21/2005

Incorporates
MTO-340961

33-13-11

Page 2A
Sheet 2
Jan 21/2005



NOTES: TYPICAL LIGHTED SWITCH CONFIGURATION EXCEPT WHERE SHOWN OTHERWISE (SHOWN FOR REFERENCE ONLY).

153-154

INSTRUMENT & PANEL LIGHTS CAPTAINS

D280T132

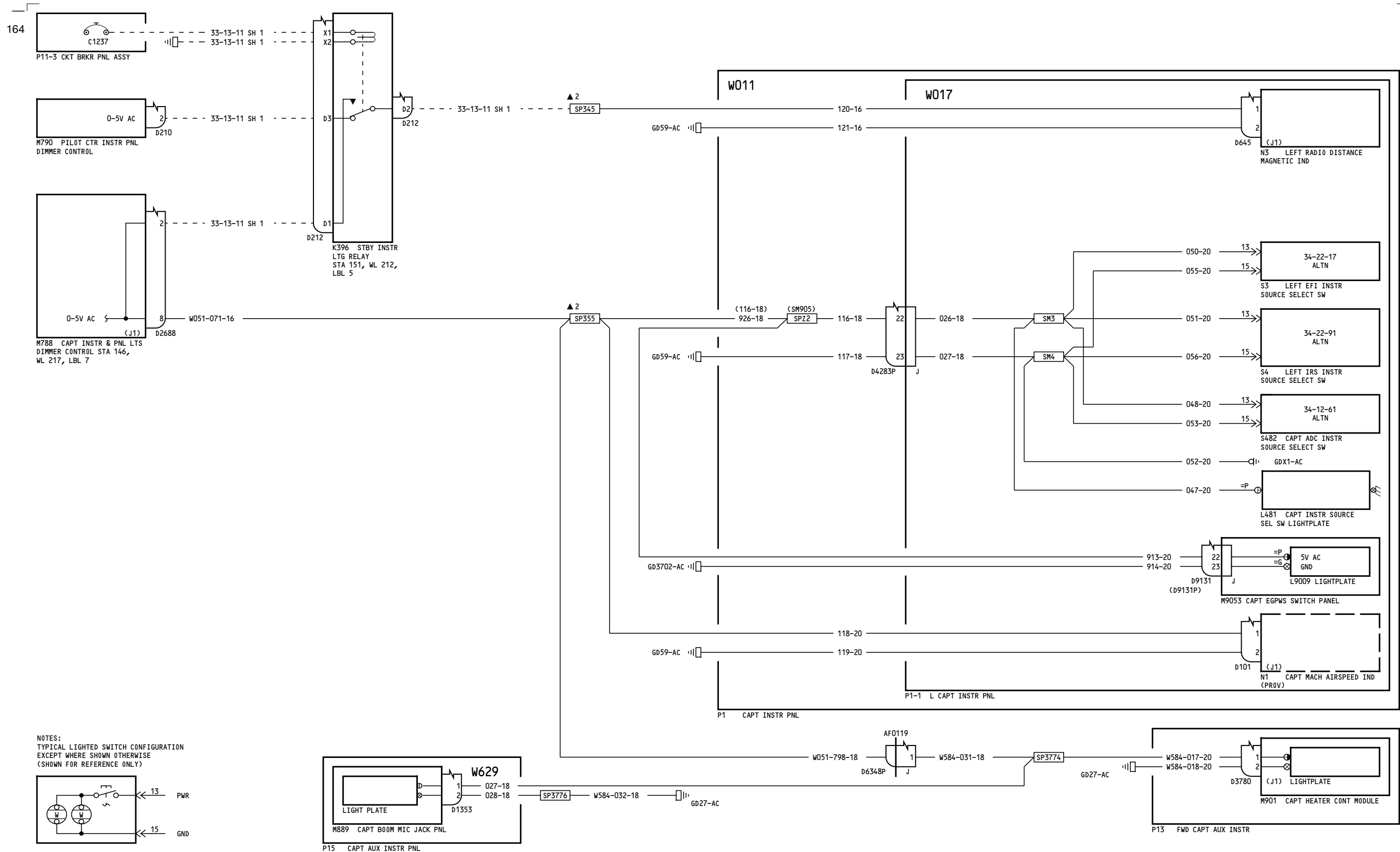
33-13-11

Page 3A
Sheet 1
Jan 21/2005

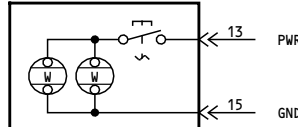
Incorporates
MTO 340652 R01

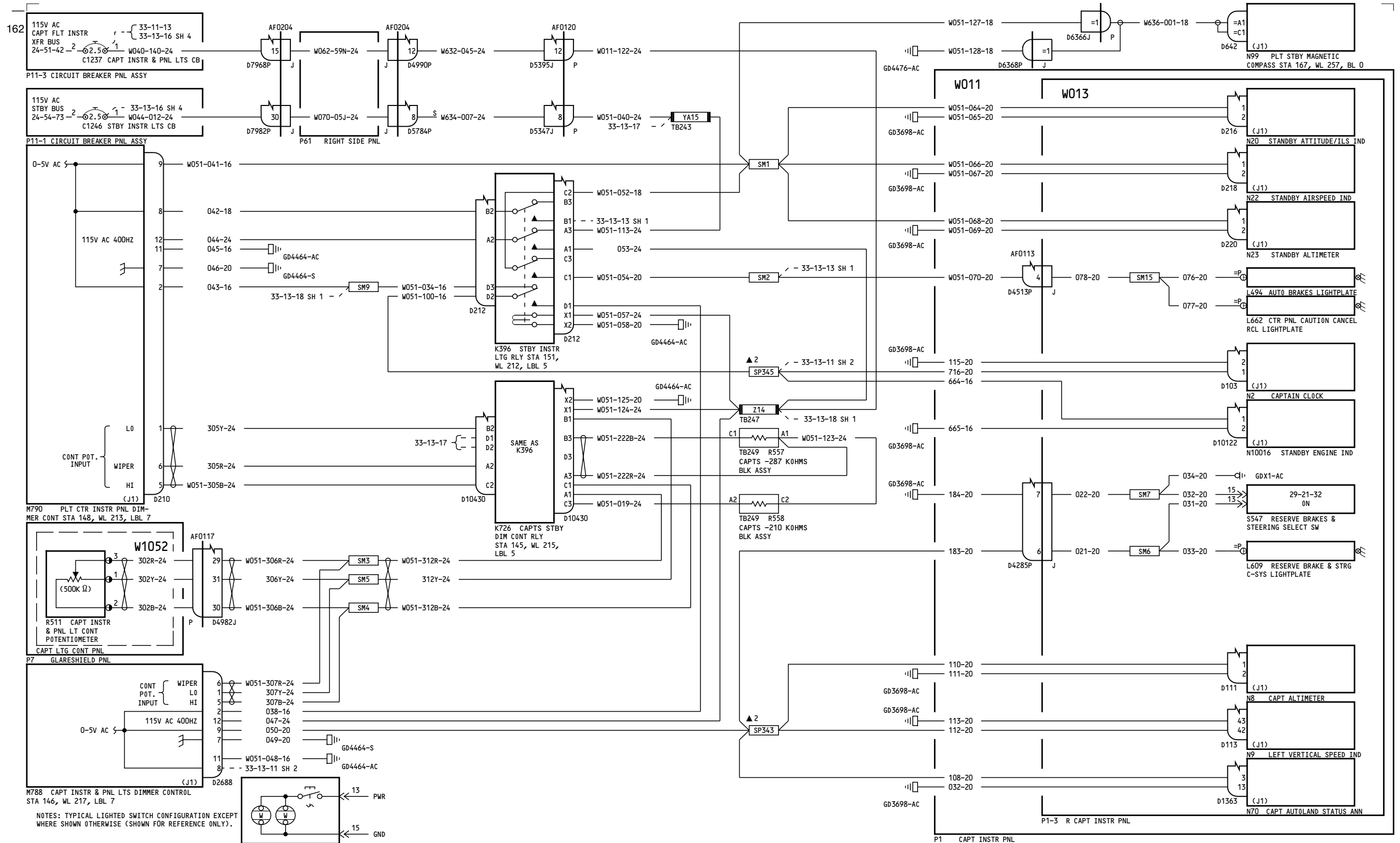
33-13-11

Page 3A
Sheet 1
Jan 21/2005



NOTES:
TYPICAL LIGHTED SWITCH CONFIGURATION
EXCEPT WHERE SHOWN OTHERWISE
(SHOWN FOR REFERENCE ONLY)





NOTES: TYPICAL LIGHTED SWITCH CONFIGURATION EXCEPT WHERE SHOWN OTHERWISE (SHOWN FOR REFERENCE ONLY).

280

INSTRUMENT & PANEL LIGHTS CAPTAINS

D280T132

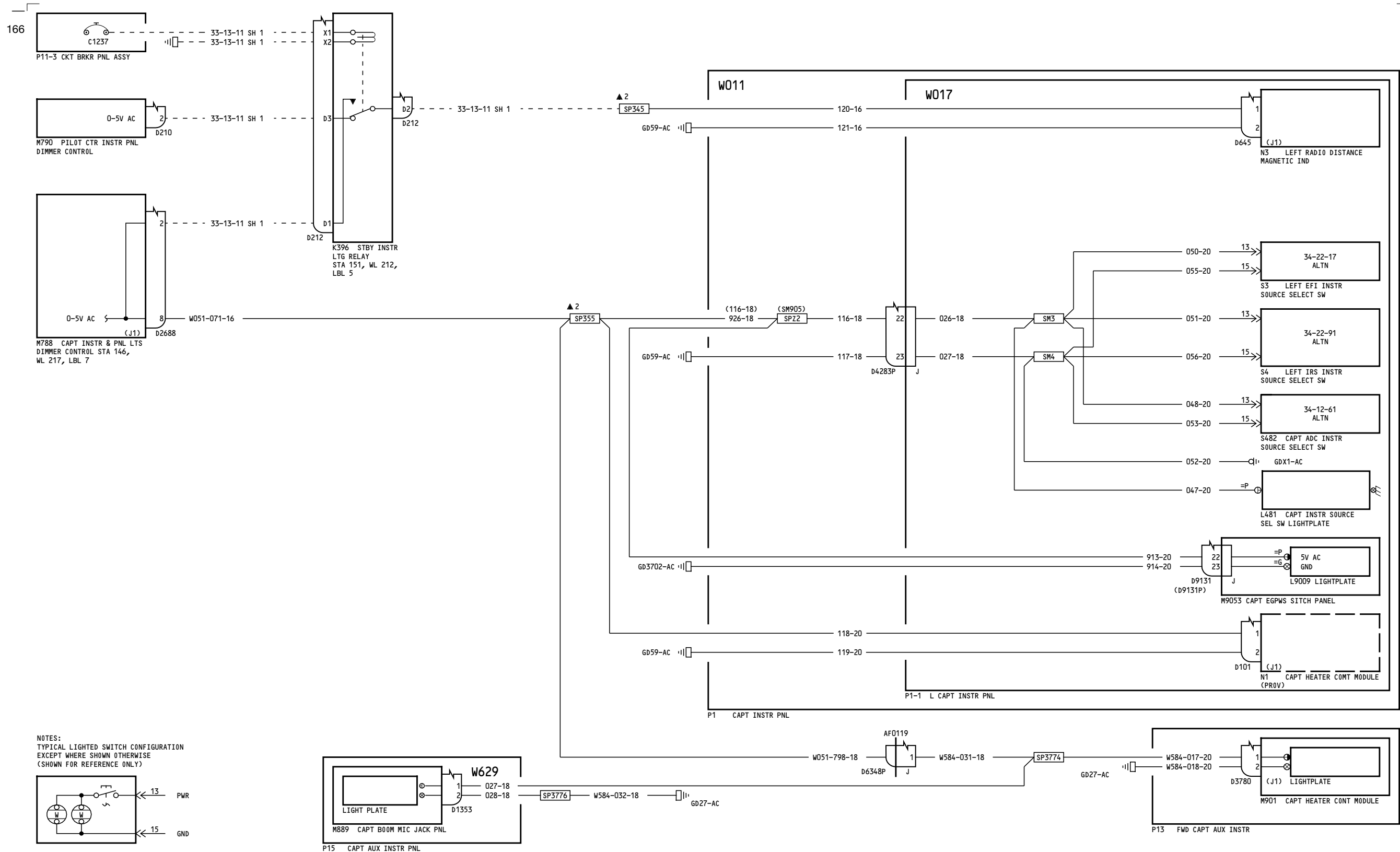
33-13-11

Page 4A
Sheet 1
Jan 21/2005

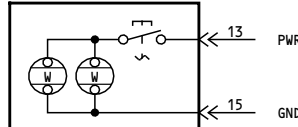
Incorporates
MTO 340652

33-13-11

Page 4A
Sheet 1
Jan 21/2005



NOTES:
TYPICAL LIGHTED SWITCH CONFIGURATION
EXCEPT WHERE SHOWN OTHERWISE
(SHOWN FOR REFERENCE ONLY)



280

**INSTRUMENT & PANEL LIGHTS
CAPTAINS**

D280T132

33-13-11

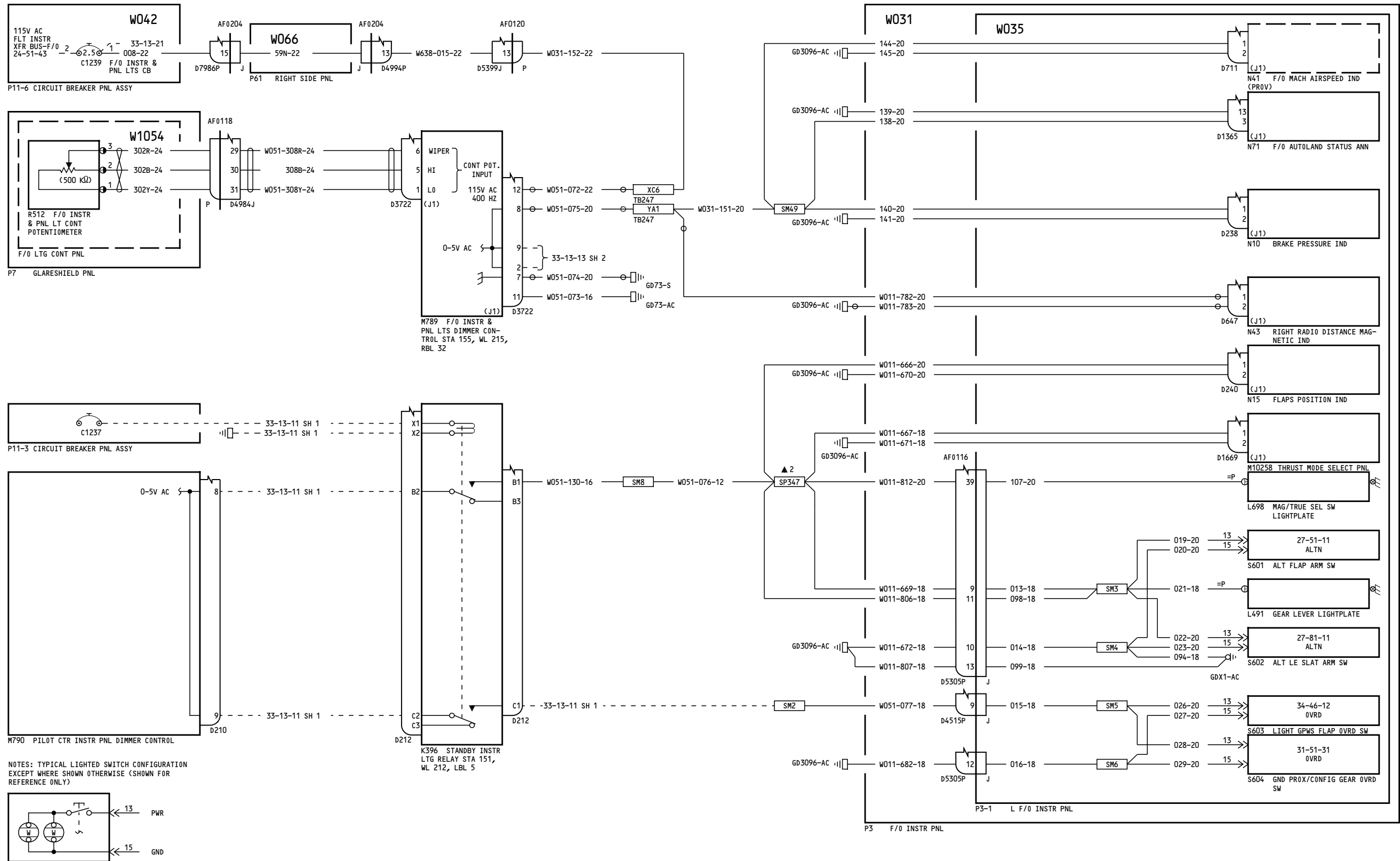
Page 4A
Sheet 2
Jan 21/2005

Incorporates
MTO-340961

33-13-11

Page 4A
Sheet 2
Jan 21/2005

92



050-051, 151

INSTRUMENT & PANEL LIGHTS FIRST OFFICER

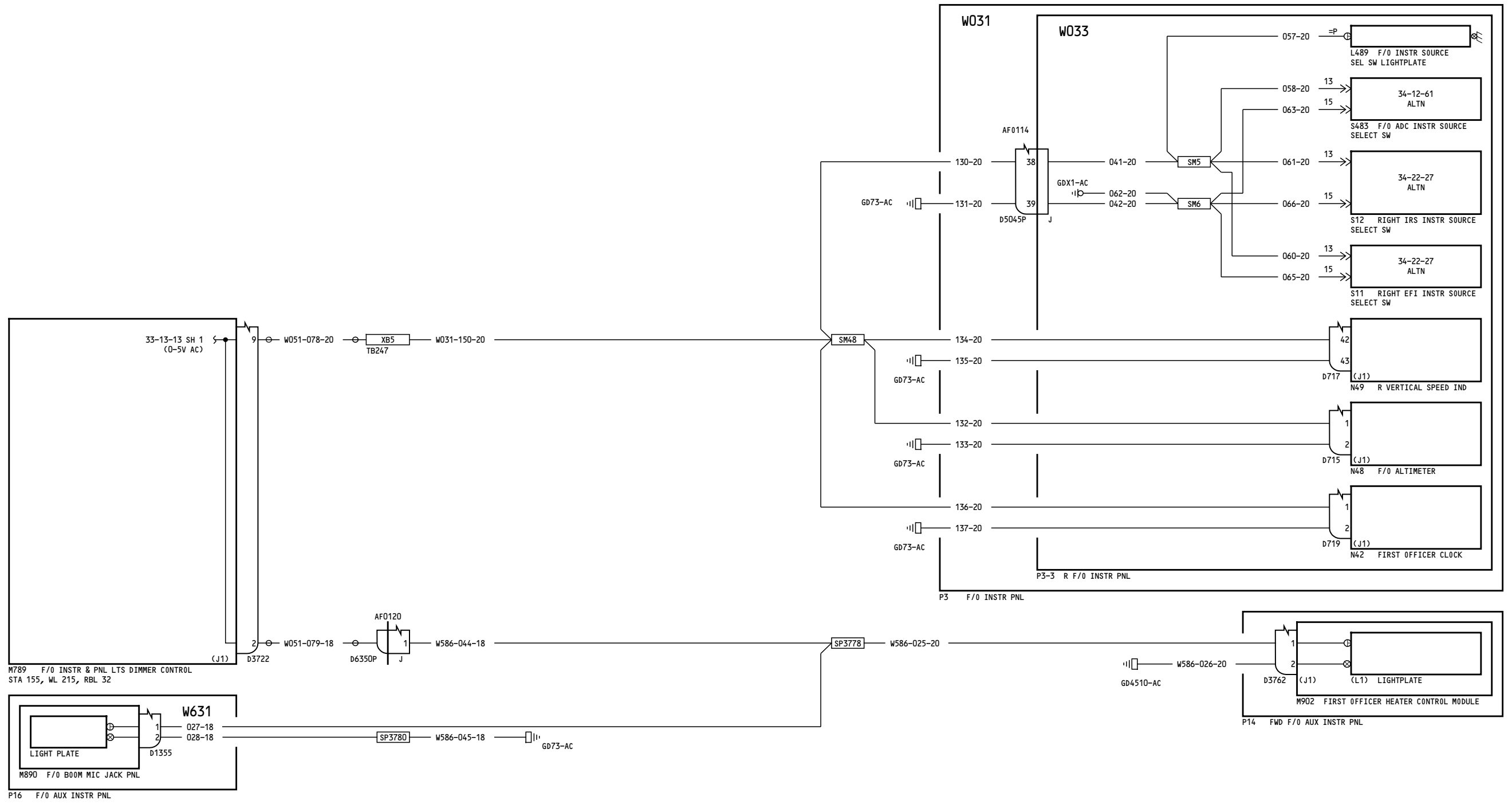
33-13-13

Page 1A
Sheet 1
Jan 21/2005

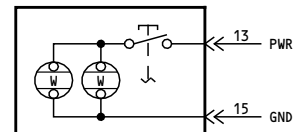
D280T132

33-13-13

Page 1A
Sheet 1
Jan 21/2005



NOTES: TYPICAL LIGHTED SWITCH CONFIGURATION EXCEPT WHERE SHOWN OTHERWISE (SHOWN FOR REFERENCE ONLY)



050-051, 151

**INSTRUMENT & PANEL LIGHTS
FIRST OFFICER**

D280T132

33-13-13

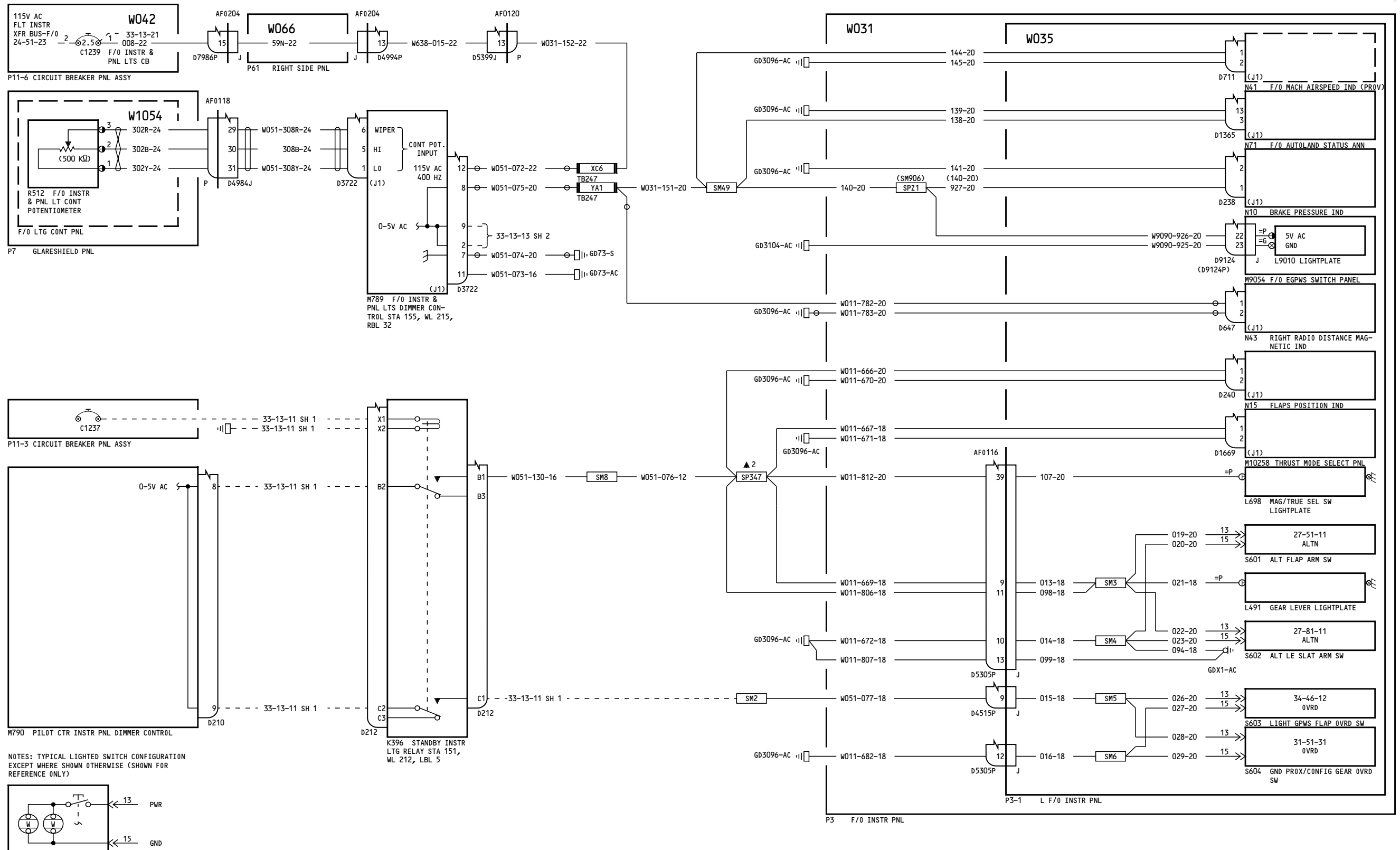
Page 1A
Sheet 2
Jan 21/2005

Incorporates
MTO 340652

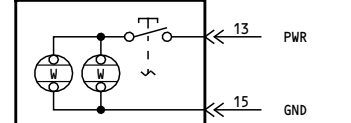
33-13-13

Page 1A
Sheet 2
Jan 21/2005

162



NOTES: TYPICAL LIGHTED SWITCH CONFIGURATION EXCEPT WHERE SHOWN OTHERWISE (SHOWN FOR REFERENCE ONLY)



150, 152, 155-156, 275-276

INSTRUMENT & PANEL LIGHTS FIRST OFFICER

D280T132

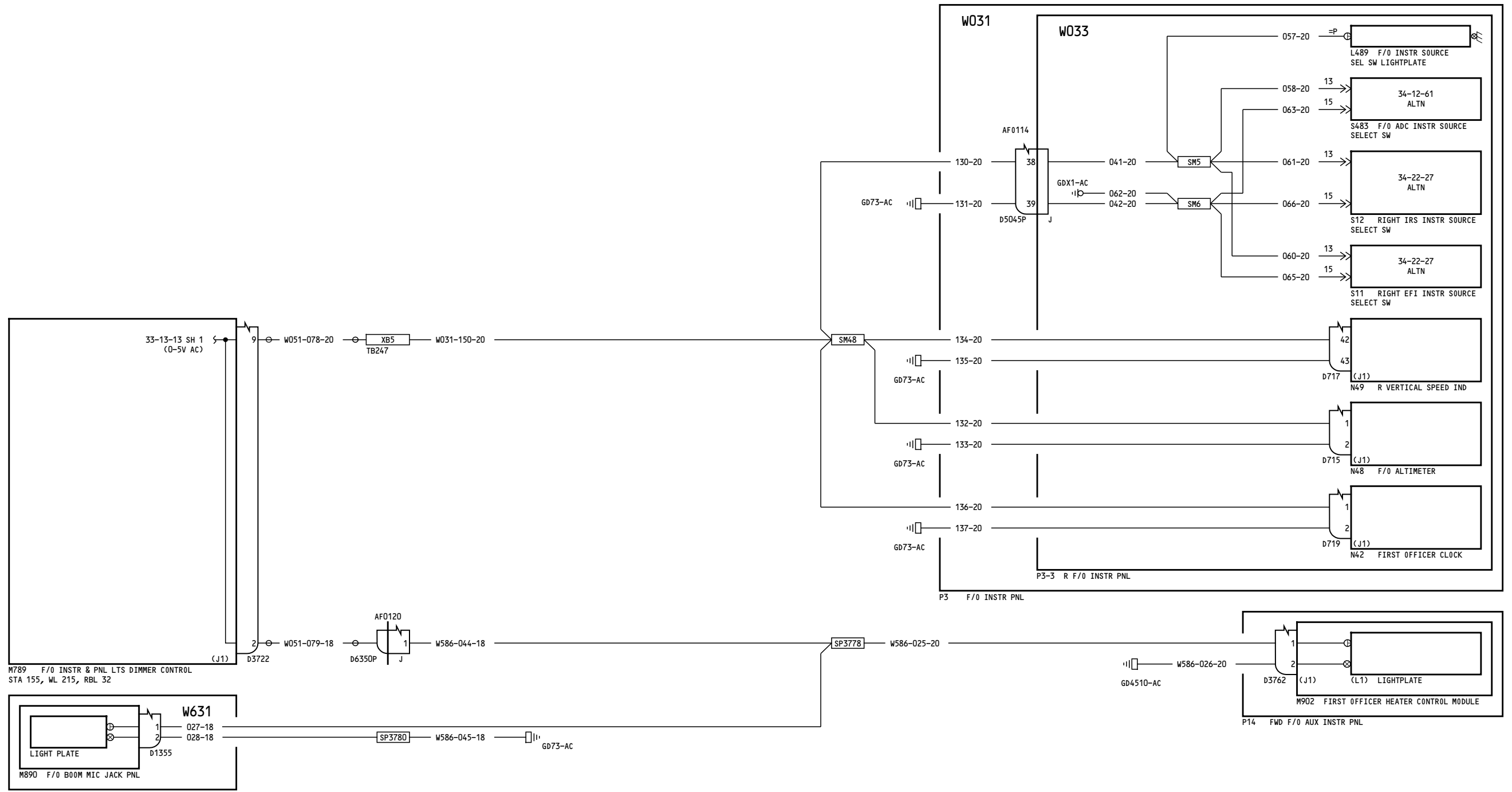
33-13-13

Page 2A
Sheet 1
Jan 21/2005

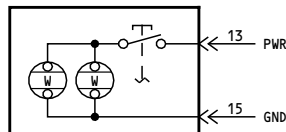
Incorporates
MTO-340961

33-13-13

Page 2A
Sheet 1
Jan 21/2005



NOTES: TYPICAL LIGHTED SWITCH CONFIGURATION EXCEPT WHERE SHOWN OTHERWISE (SHOWN FOR REFERENCE ONLY)



150, 152, 155-156, 275-276

**INSTRUMENT & PANEL LIGHTS
FIRST OFFICER**

D280T132

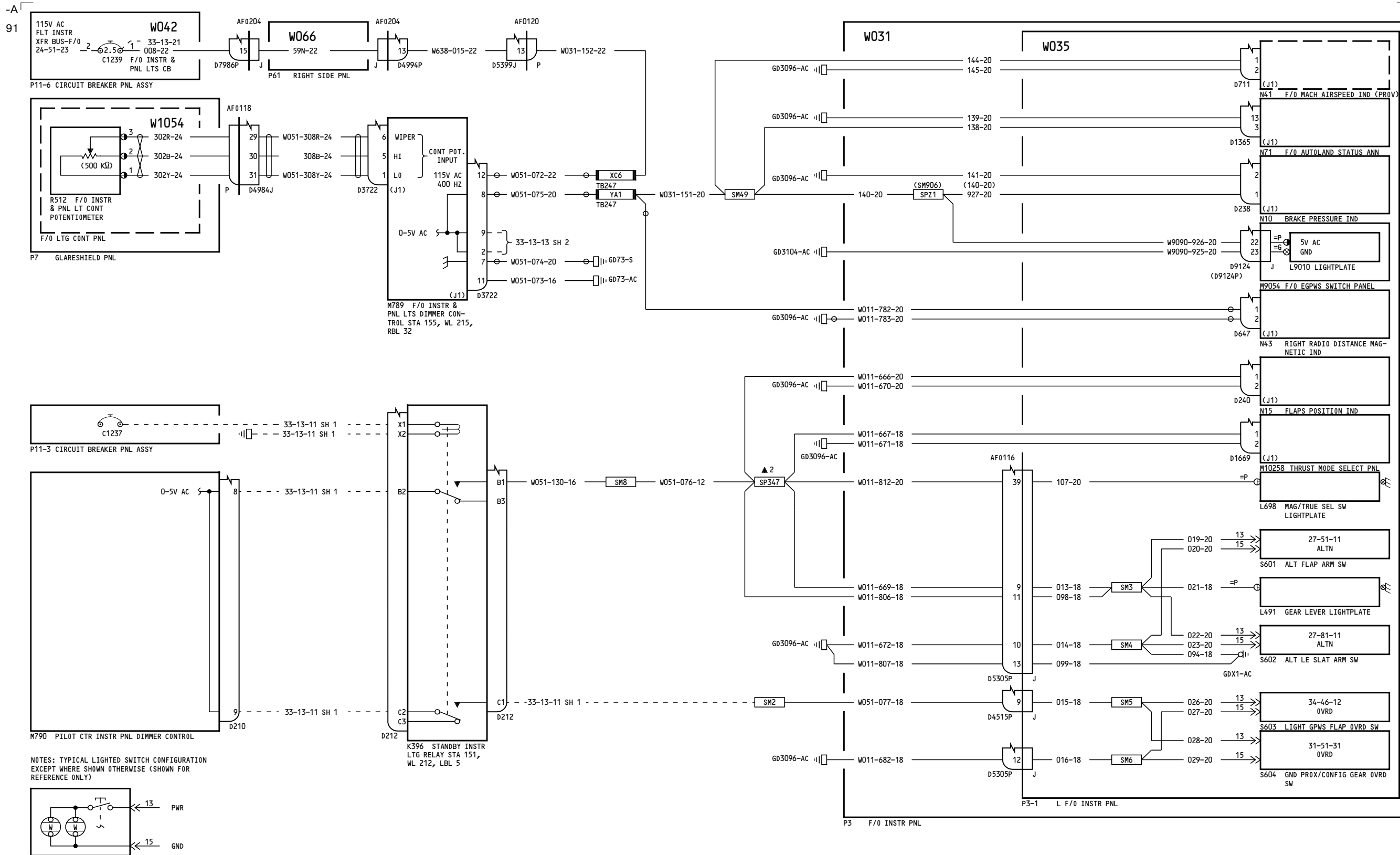
33-13-13

Page 2A
Sheet 2
Jan 21/2005

Incorporates
MTO 340652

33-13-13

Page 2A
Sheet 2
Jan 21/2005



153-154

**INSTRUMENT & PANEL LIGHTS
FIRST OFFICER**

D280T132

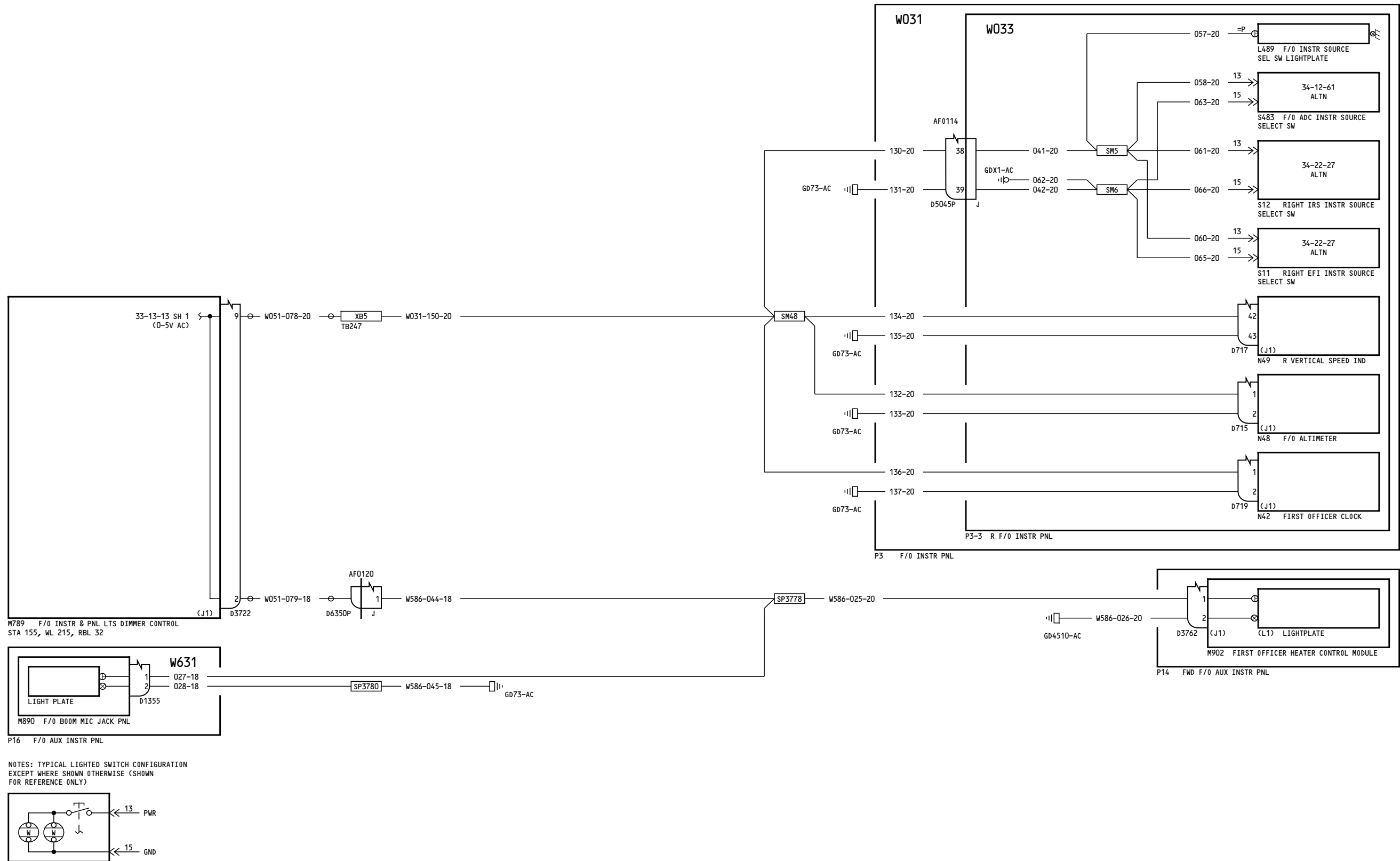
33-13-13

Page 3A
Sheet 1
Jan 21/2005

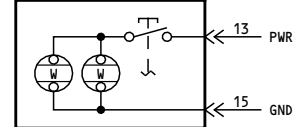
Incorporates
MTO-340961

33-13-13

Page 3A
Sheet 1
Jan 21/2005



NOTES: TYPICAL LIGHTED SWITCH CONFIGURATION EXCEPT WHERE SHOWN OTHERWISE (SHOWN FOR REFERENCE ONLY)

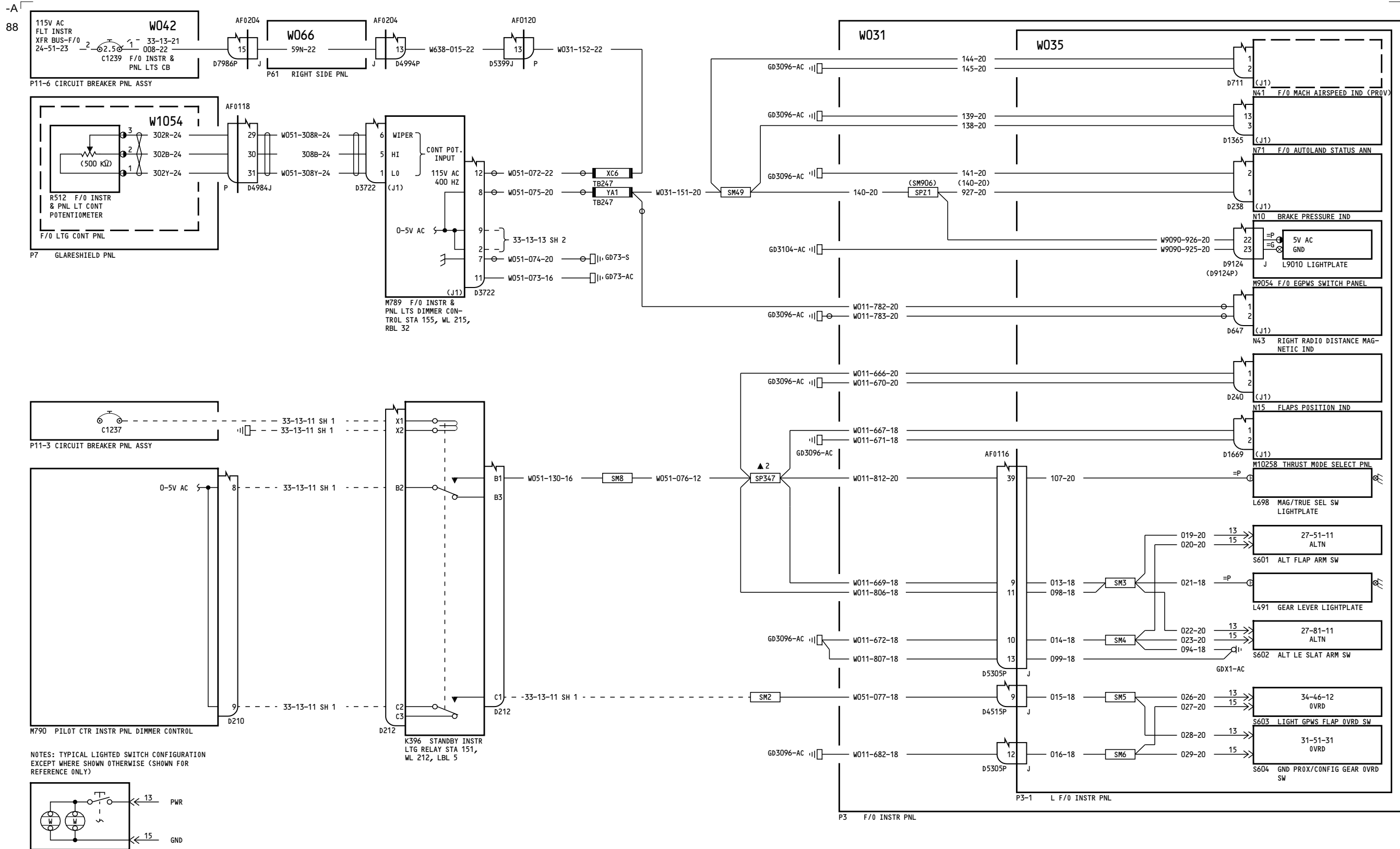


| | |
|---------|------------------------------------------------------------------------|
| 153-154 | INSTRUMENT & PANEL LIGHTS FIRST OFFICER D280T132 |
|---------|------------------------------------------------------------------------|

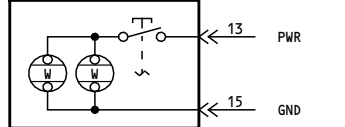
33-13-13
 Page 3A
 Sheet 2
 Jan 21/2005

Incorporates
 MTO 340652 R01

33-13-13
 Page 3A
 Sheet 2
 Jan 21/2005



NOTES: TYPICAL LIGHTED SWITCH CONFIGURATION EXCEPT WHERE SHOWN OTHERWISE (SHOWN FOR REFERENCE ONLY)



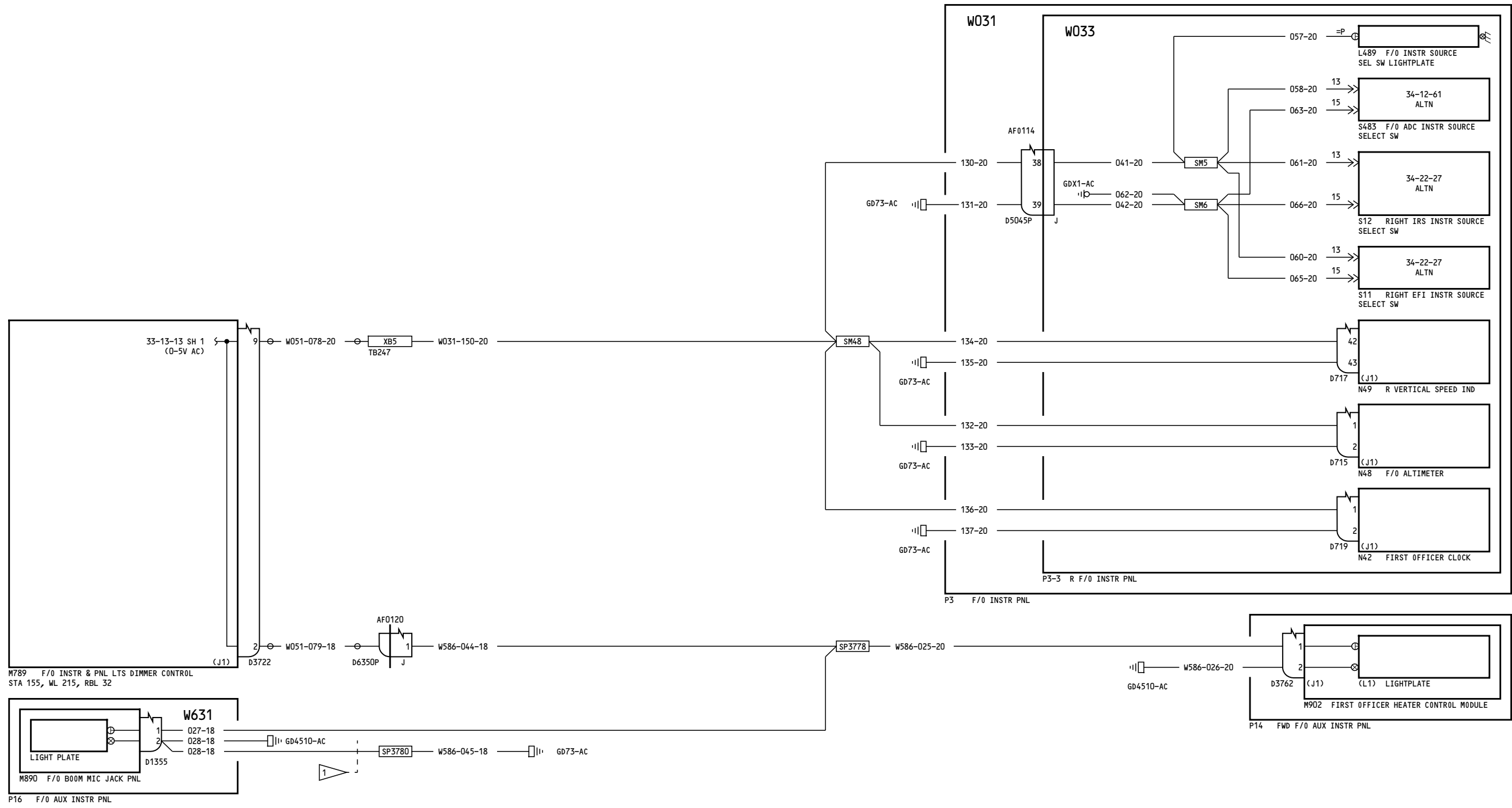
157-167, 277-280

INSTRUMENT & PANEL LIGHTS FIRST OFFICER
D280T132

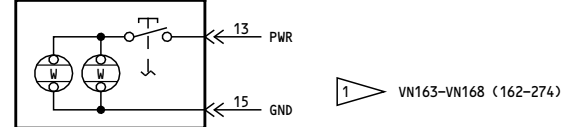
33-13-13
Page 4A
Sheet 1
Jan 21/2005

Incorporates
MTO-340961

33-13-13
Page 4A
Sheet 1
Jan 21/2005



NOTES: TYPICAL LIGHTED SWITCH CONFIGURATION EXCEPT WHERE SHOWN OTHERWISE (SHOWN FOR REFERENCE ONLY)



157-167, 277-280

**INSTRUMENT & PANEL LIGHTS
FIRST OFFICER**

D280T132

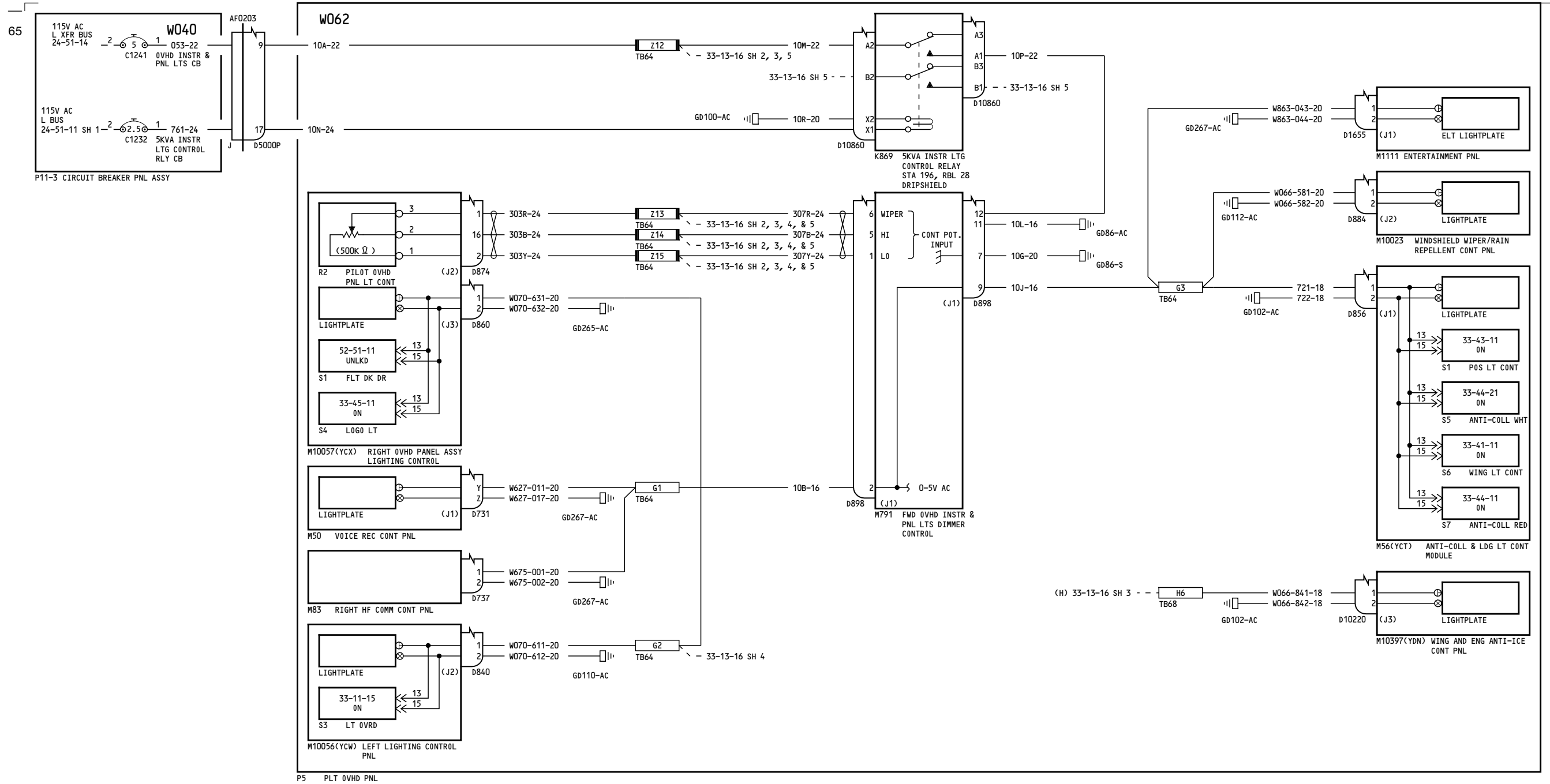
33-13-13

Page 4A
Sheet 2
Jan 21/2005

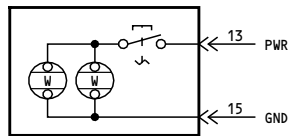
Incorporates
MTO 340652

33-13-13

Page 4A
Sheet 2
Jan 21/2005



NOTES:
 TYPICAL LIGHTED SWITCH CONFIGURATION EXCEPT WHERE SHOWN OTHERWISE (SHOWN FOR REFERENCE ONLY)



050-099

**INSTRUMENT & PANEL LIGHTS
 PILOTS-
 OVERHEAD PANEL**

D280T132

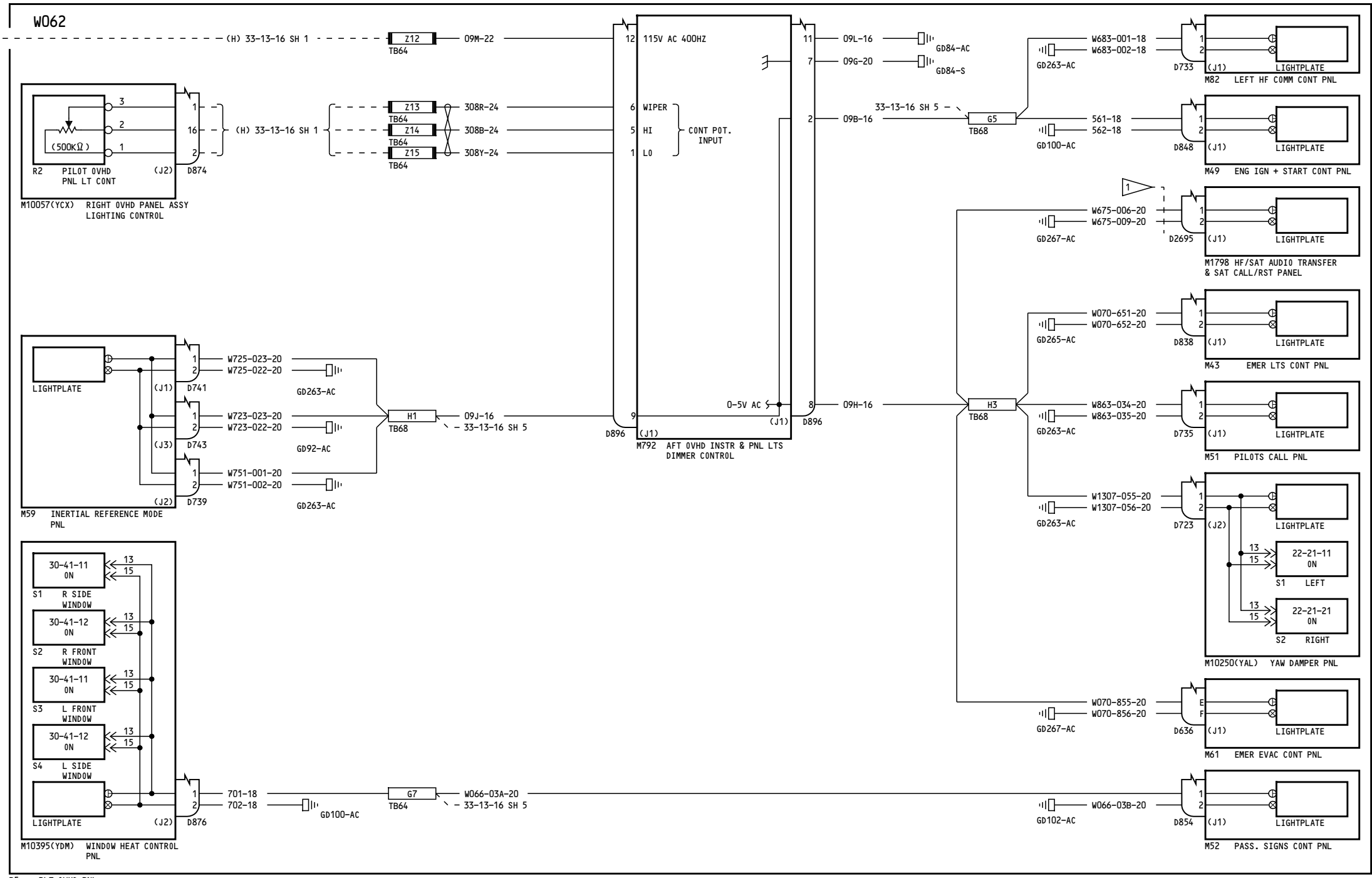
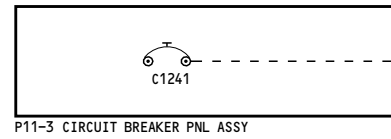
33-13-16

Page 1
 Sheet 1
 Jan 21/2005

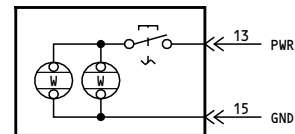
33-13-16

Page 1
 Sheet 1
 Jan 21/2005

65



NOTES:
TYPICAL LIGHTED SWITCH CONFIGURATION EXCEPT WHERE SHOWN OTHERWISE (SHOWN FOR REFERENCE ONLY)



1 VN157-VN158, VN167-VN168 (156-156)

050-099

**INSTRUMENT & PANEL LIGHTS
PILOTS-
OVERHEAD PANEL**

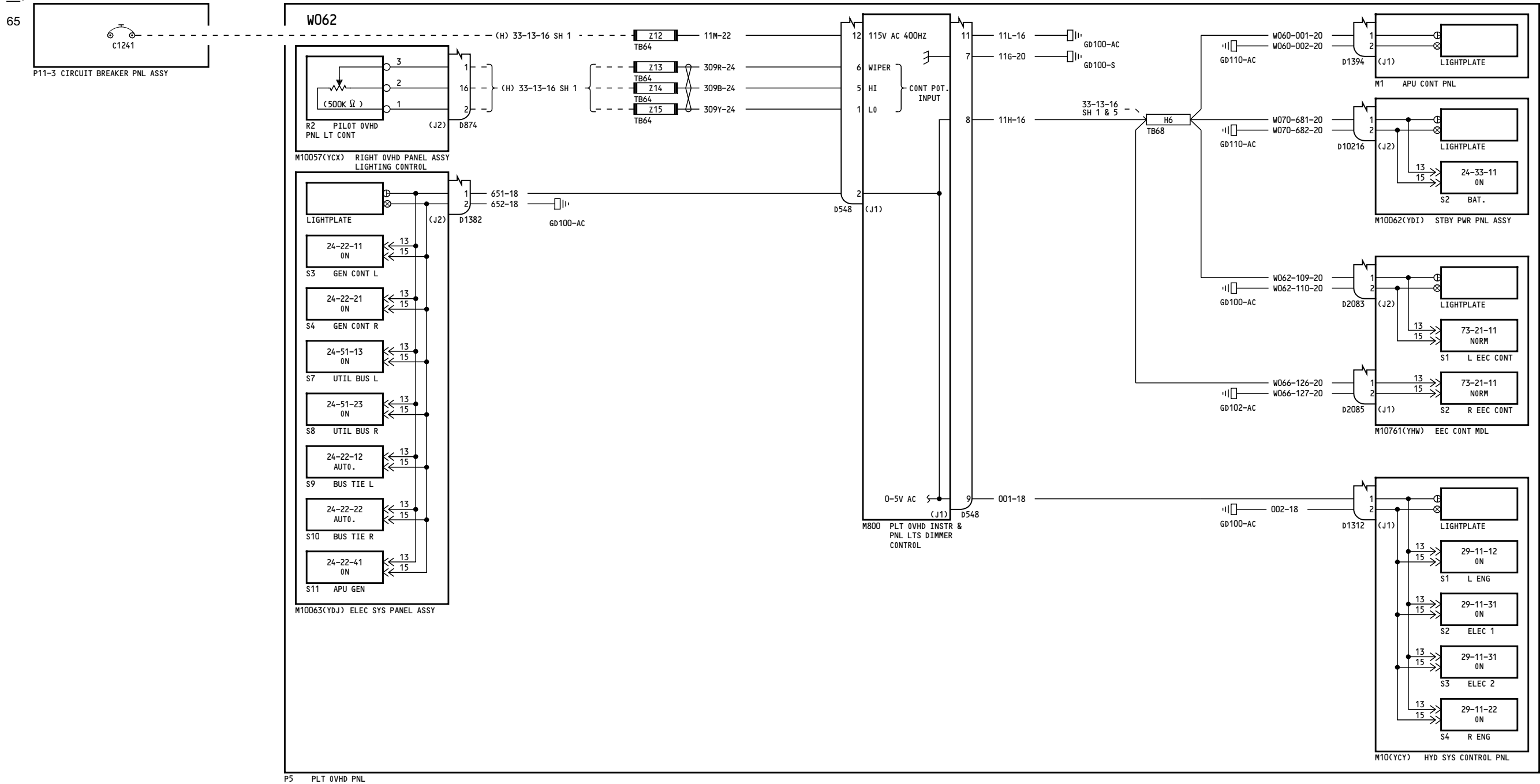
D280T132

33-13-16

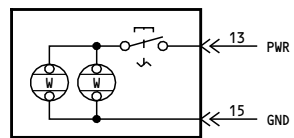
Page 1
Sheet 2
Jan 21/2005

33-13-16

Page 1
Sheet 2
Jan 21/2005



NOTES:
 TYPICAL LIGHTED SWITCH CONFIGURATION EXCEPT WHERE SHOWN OTHERWISE (SHOWN FOR REFERENCE ONLY)



050-099

**INSTRUMENT & PANEL LIGHTS
 PILOTS-
 OVERHEAD PANEL**

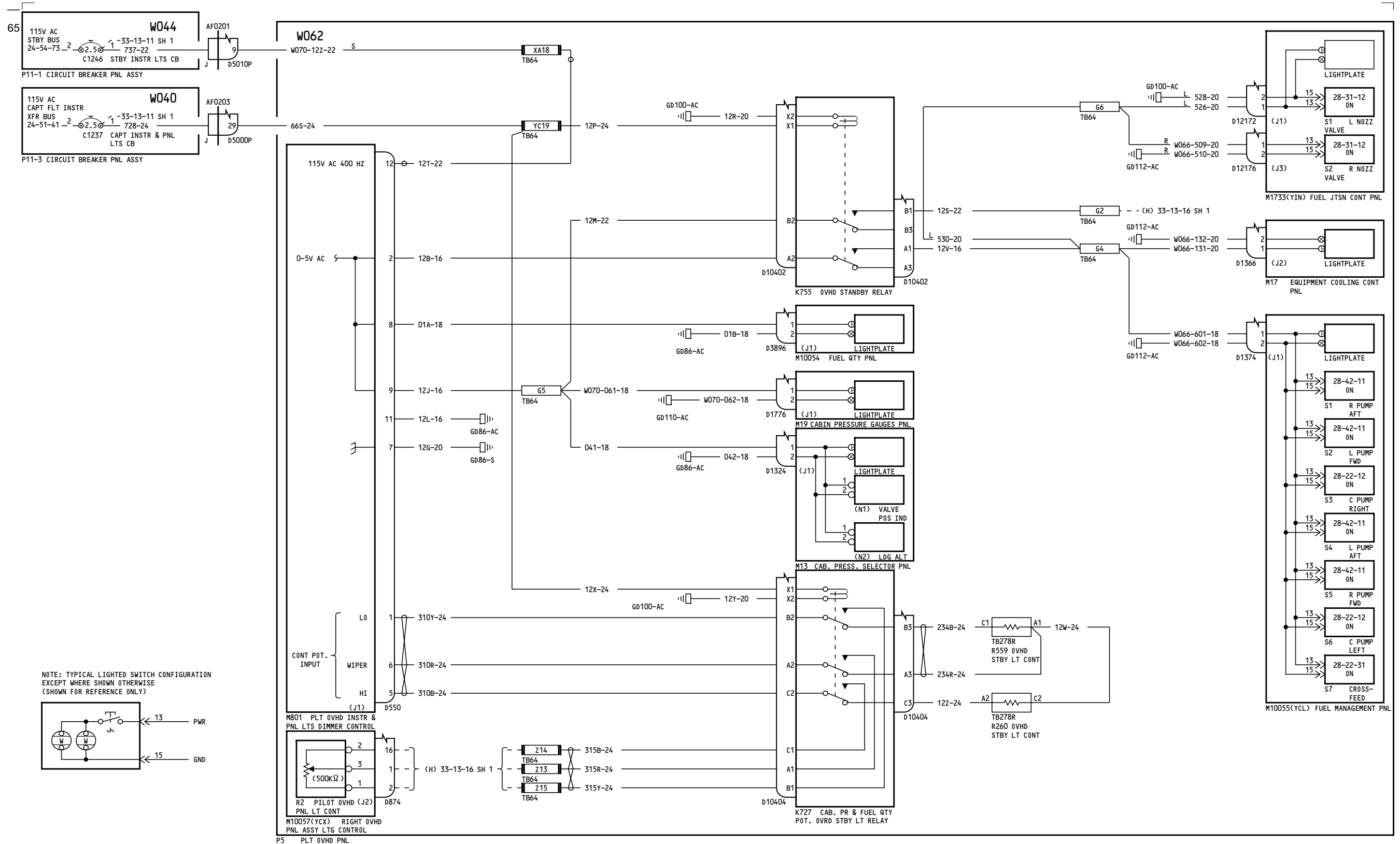
D280T132

33-13-16

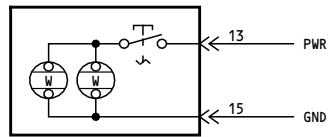
Page 1
 Sheet 3
 Jan 21/2005

33-13-16

Page 1
 Sheet 3
 Jan 21/2005



NOTE: TYPICAL LIGHTED SWITCH CONFIGURATION EXCEPT WHERE SHOWN OTHERWISE (SHOWN FOR REFERENCE ONLY)



P5 PLT OVHD PNL

050-099

**INSTRUMENT & PANEL LIGHTS
PILOTS-
OVERHEAD PANEL**

D280T132

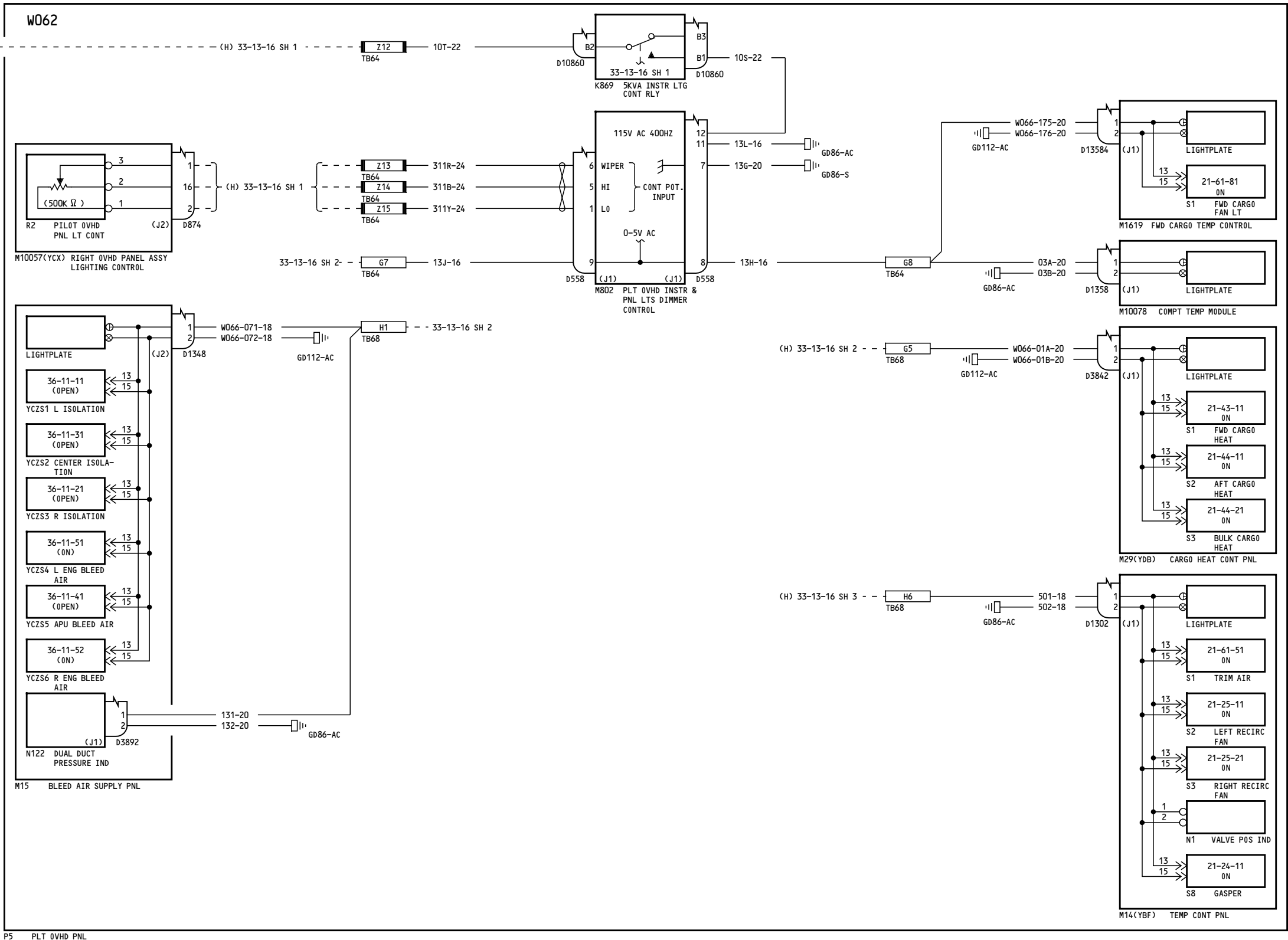
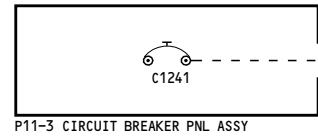
33-13-16

Page 1
Sheet 4
Jan 21/2005

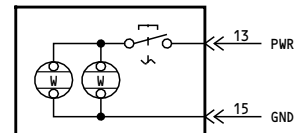
33-13-16

Page 1
Sheet 4
Jan 21/2005

65



NOTES:
TYPICAL LIGHTED SWITCH CONFIGURATION EXCEPT WHERE SHOWN OTHERWISE (SHOWN FOR REFERENCE ONLY)



050-099

**INSTRUMENT & PANEL LIGHTS
PILOTS-
OVERHEAD PANEL**

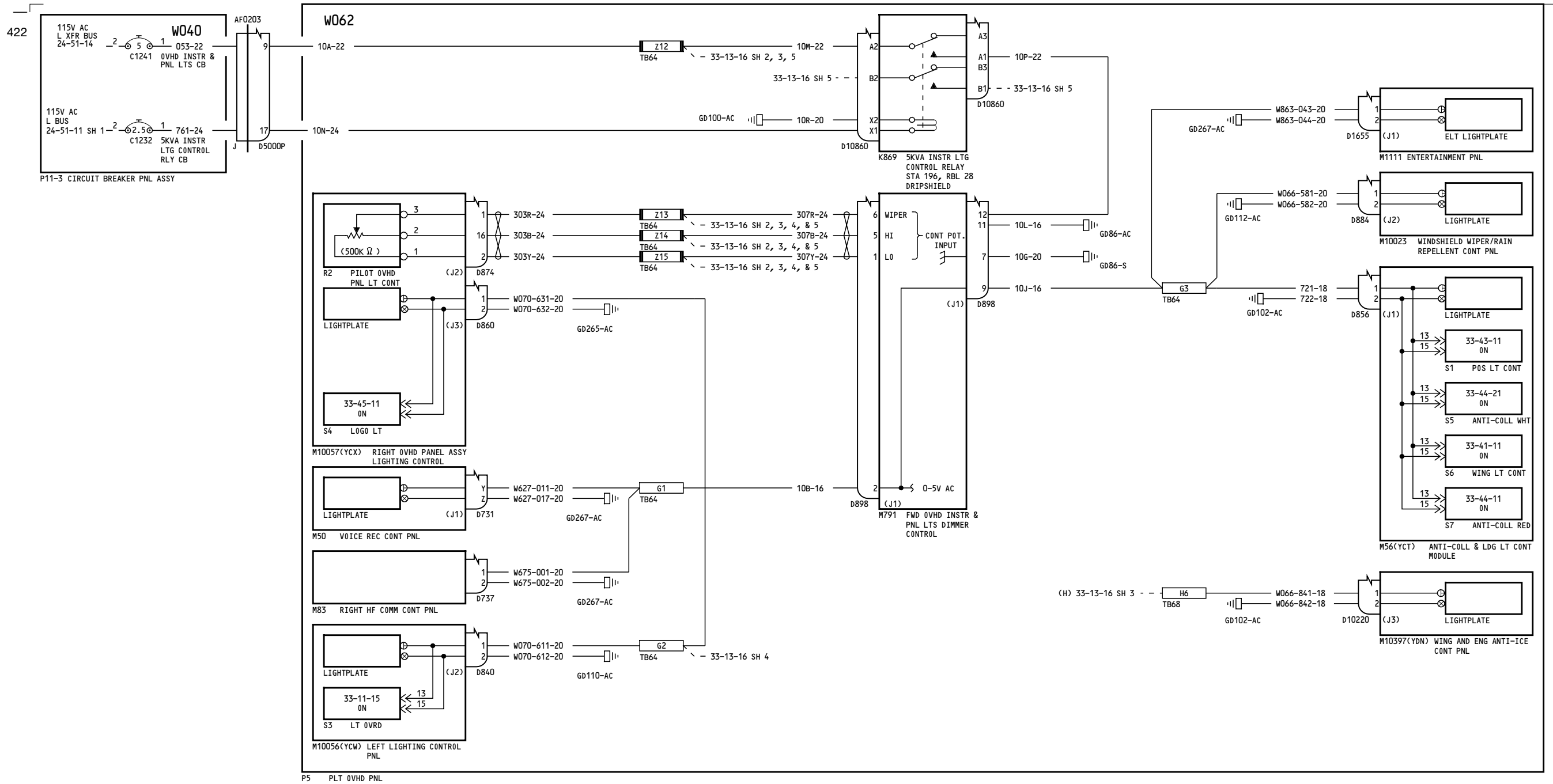
D280T132

33-13-16

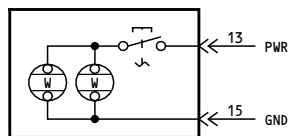
Page 1
Sheet 5
Jan 21/2005

33-13-16

Page 1
Sheet 5
Jan 21/2005



NOTES:
 TYPICAL LIGHTED SWITCH CONFIGURATION EXCEPT WHERE SHOWN OTHERWISE (SHOWN FOR REFERENCE ONLY)



050-051

**INSTRUMENT & PANEL LIGHTS
 PILOTS-
 OVERHEAD PANEL**

D280T132

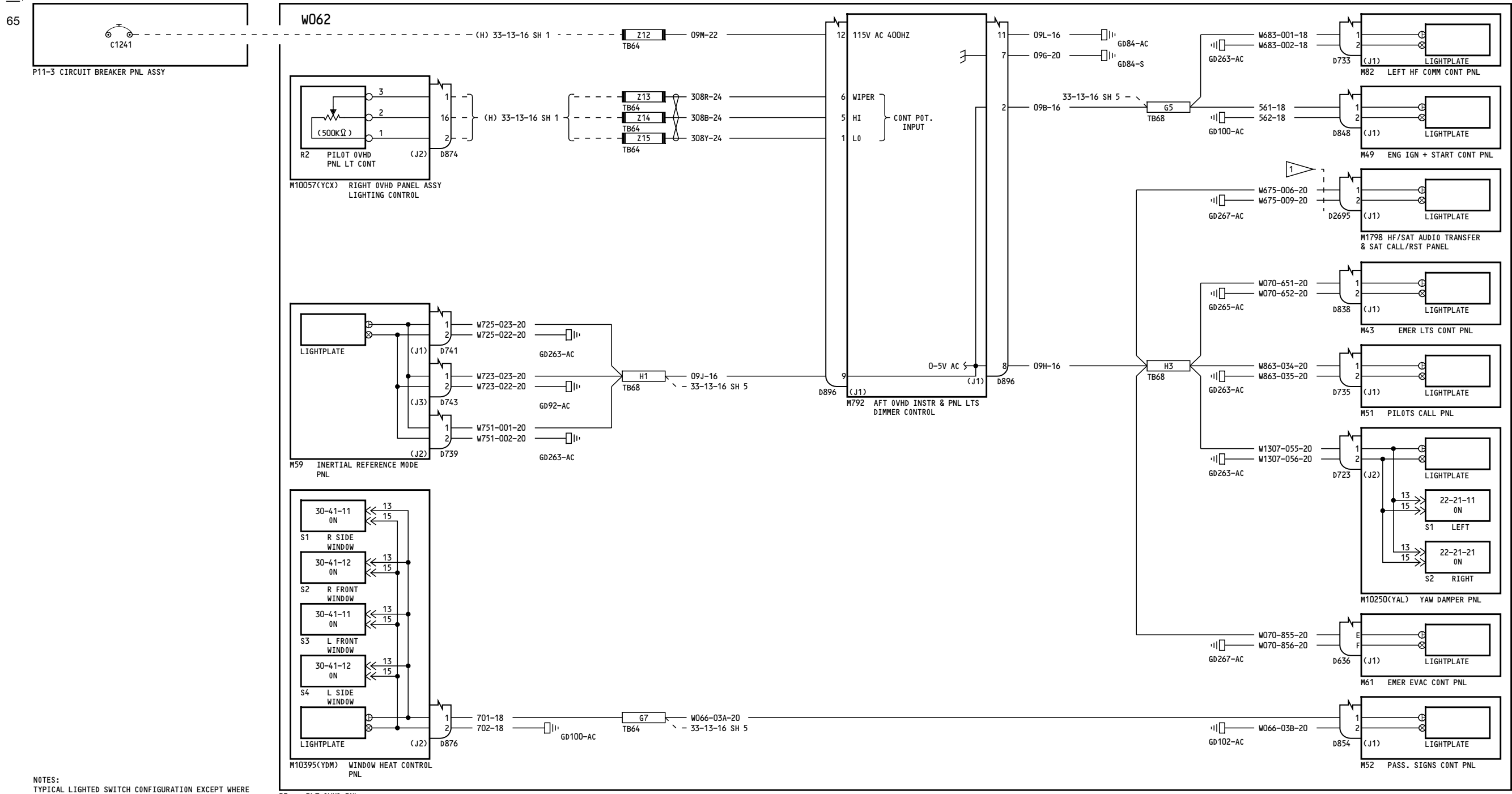
33-13-16

Page 1.1
 Sheet 1
 Jan 21/2005

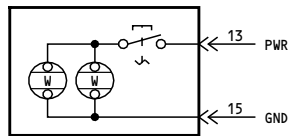
Incorporates
 25-0325

33-13-16

Page 1.1
 Sheet 1
 Jan 21/2005



NOTES:
 TYPICAL LIGHTED SWITCH CONFIGURATION EXCEPT WHERE SHOWN OTHERWISE (SHOWN FOR REFERENCE ONLY)



1 VN157-VN158, VN167-VN168 (156-156)

050-051

**INSTRUMENT & PANEL LIGHTS
 PILOTS-
 OVERHEAD PANEL**

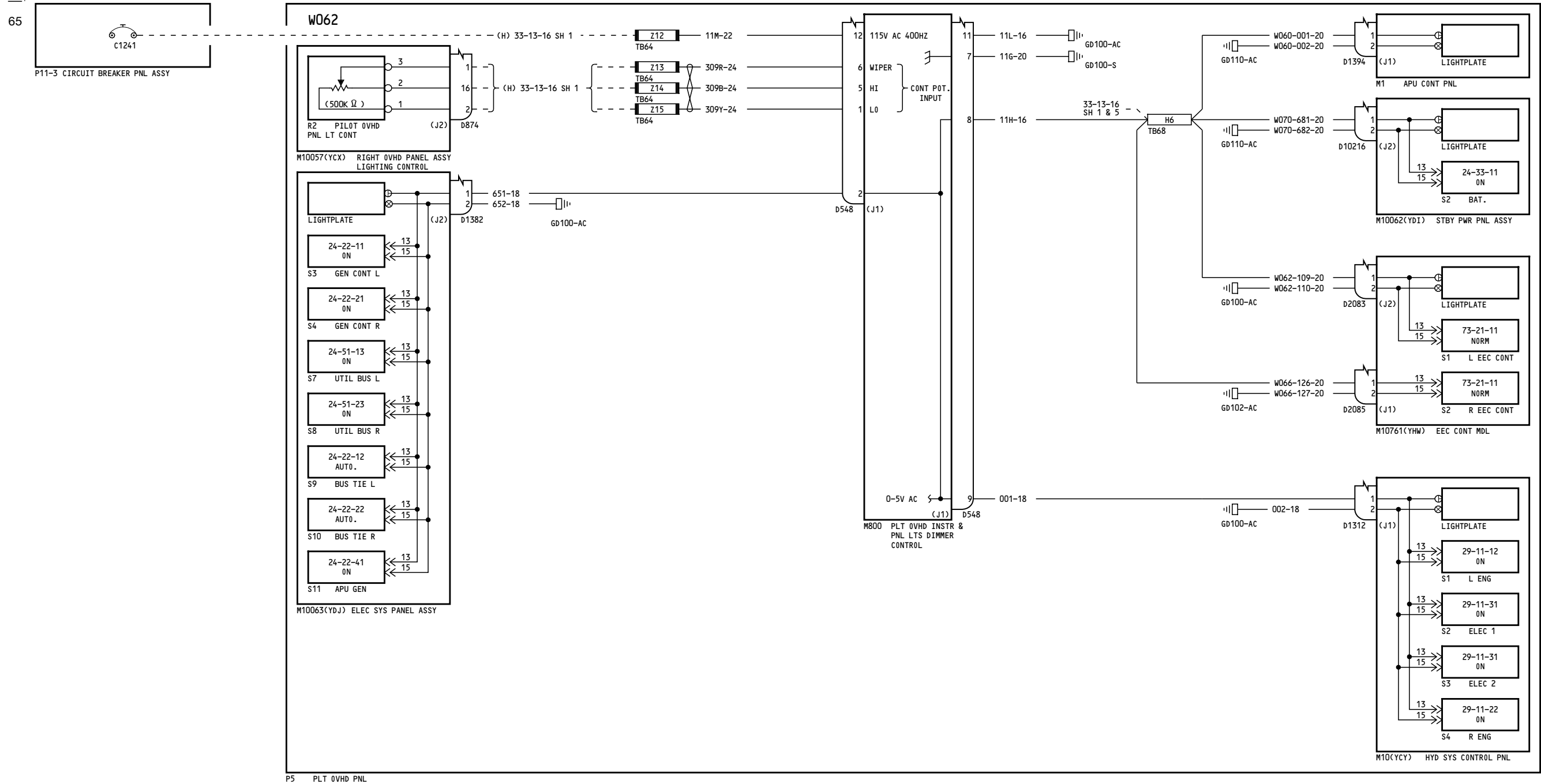
D280T132

33-13-16

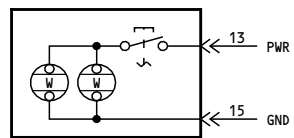
Page 1.1
 Sheet 2
 Jan 21/2005

33-13-16

Page 1.1
 Sheet 2
 Jan 21/2005



NOTES:
TYPICAL LIGHTED SWITCH CONFIGURATION EXCEPT WHERE SHOWN OTHERWISE (SHOWN FOR REFERENCE ONLY)



050-051

**INSTRUMENT & PANEL LIGHTS
PILOTS-
OVERHEAD PANEL**

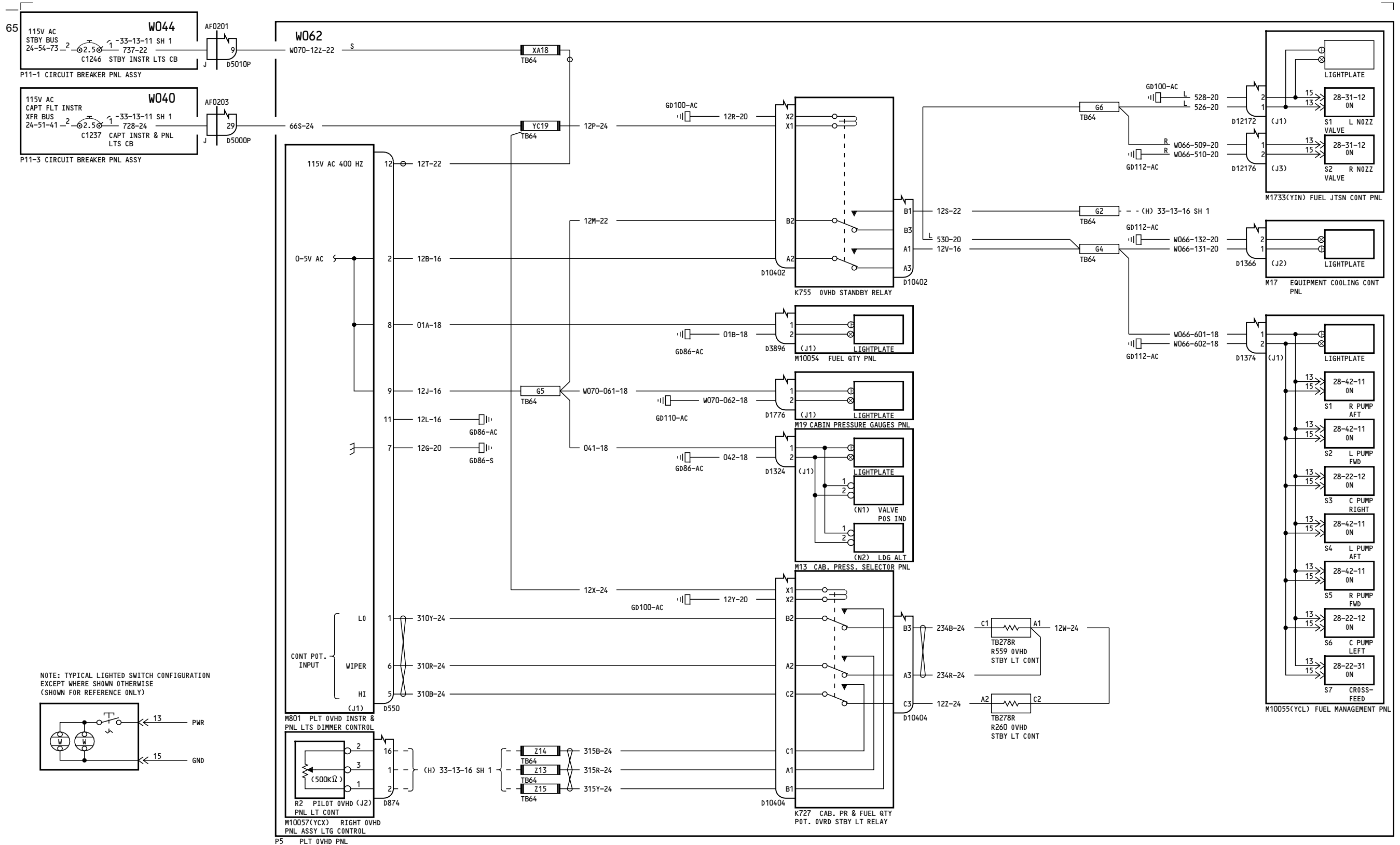
D280T132

33-13-16

Page 1.1
Sheet 3
Jan 21/2005

33-13-16

Page 1.1
Sheet 3
Jan 21/2005



050-051

**INSTRUMENT & PANEL LIGHTS
PILOTS-
OVERHEAD PANEL**

D280T132

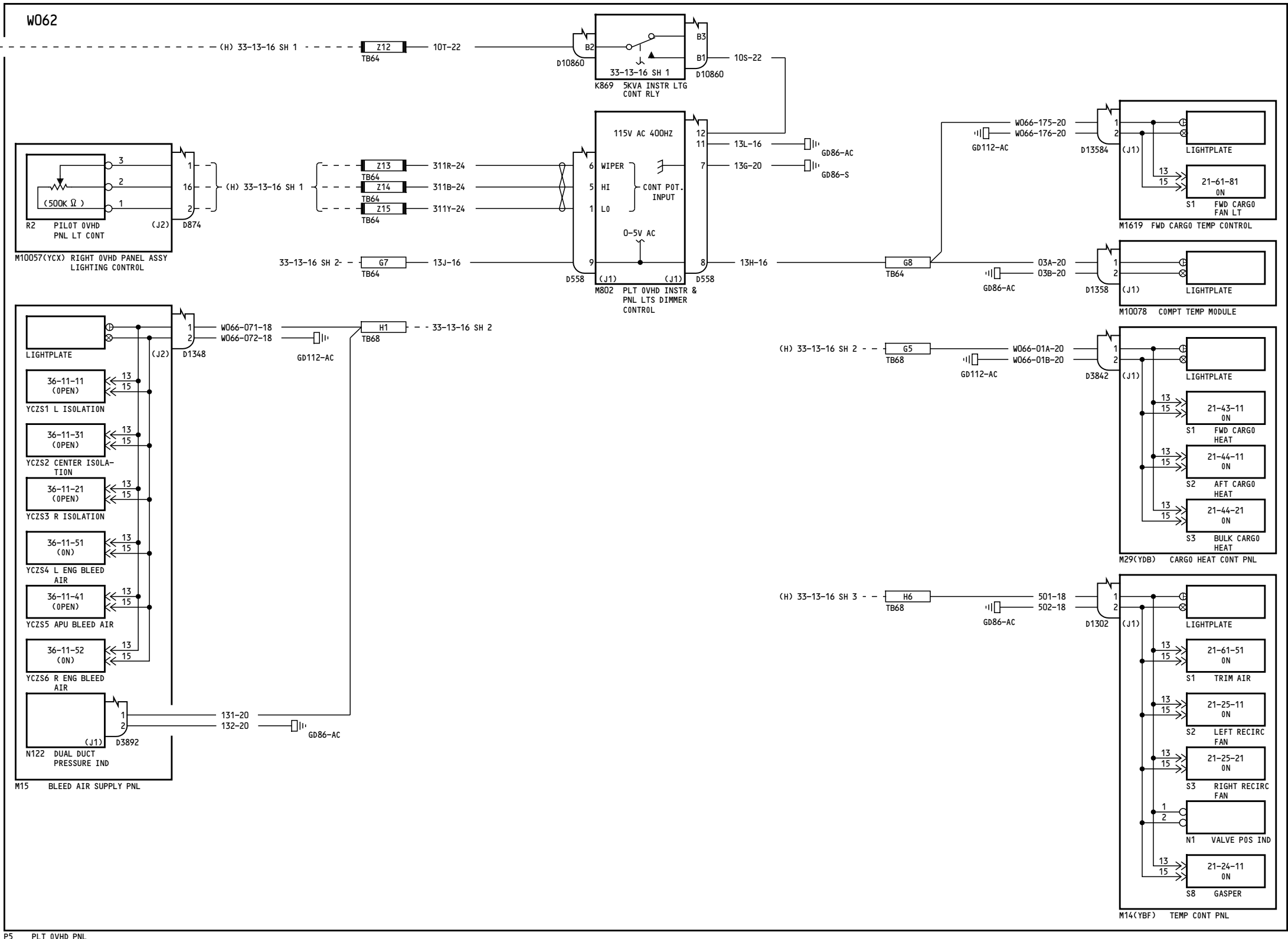
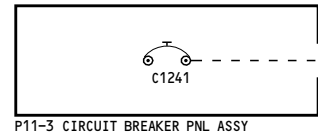
33-13-16

Page 1.1
Sheet 4
Jan 21/2005

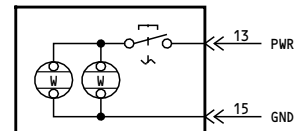
33-13-16

Page 1.1
Sheet 4
Jan 21/2005

65



NOTES:
TYPICAL LIGHTED SWITCH CONFIGURATION EXCEPT WHERE SHOWN OTHERWISE (SHOWN FOR REFERENCE ONLY)



050-051

**INSTRUMENT & PANEL LIGHTS
PILOTS-
OVERHEAD PANEL**

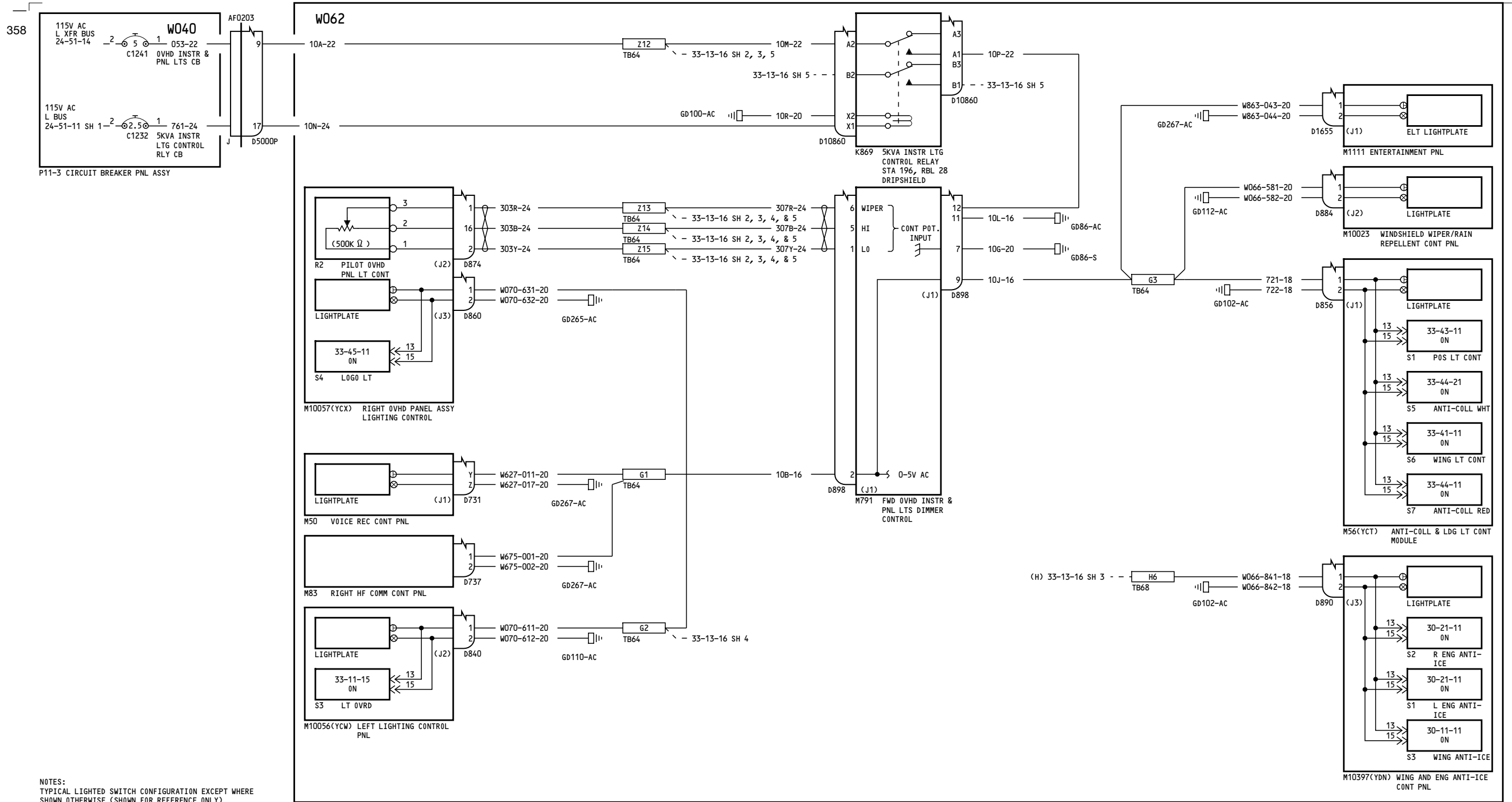
D280T132

33-13-16

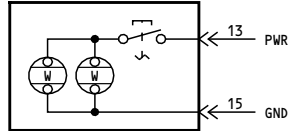
Page 1.1
Sheet 5
Jan 21/2005

33-13-16

Page 1.1
Sheet 5
Jan 21/2005



NOTES:
TYPICAL LIGHTED SWITCH CONFIGURATION EXCEPT WHERE SHOWN OTHERWISE (SHOWN FOR REFERENCE ONLY)



150, 153

**INSTRUMENT & PANEL LIGHTS
PILOTS-
OVERHEAD PANEL**

D280T132

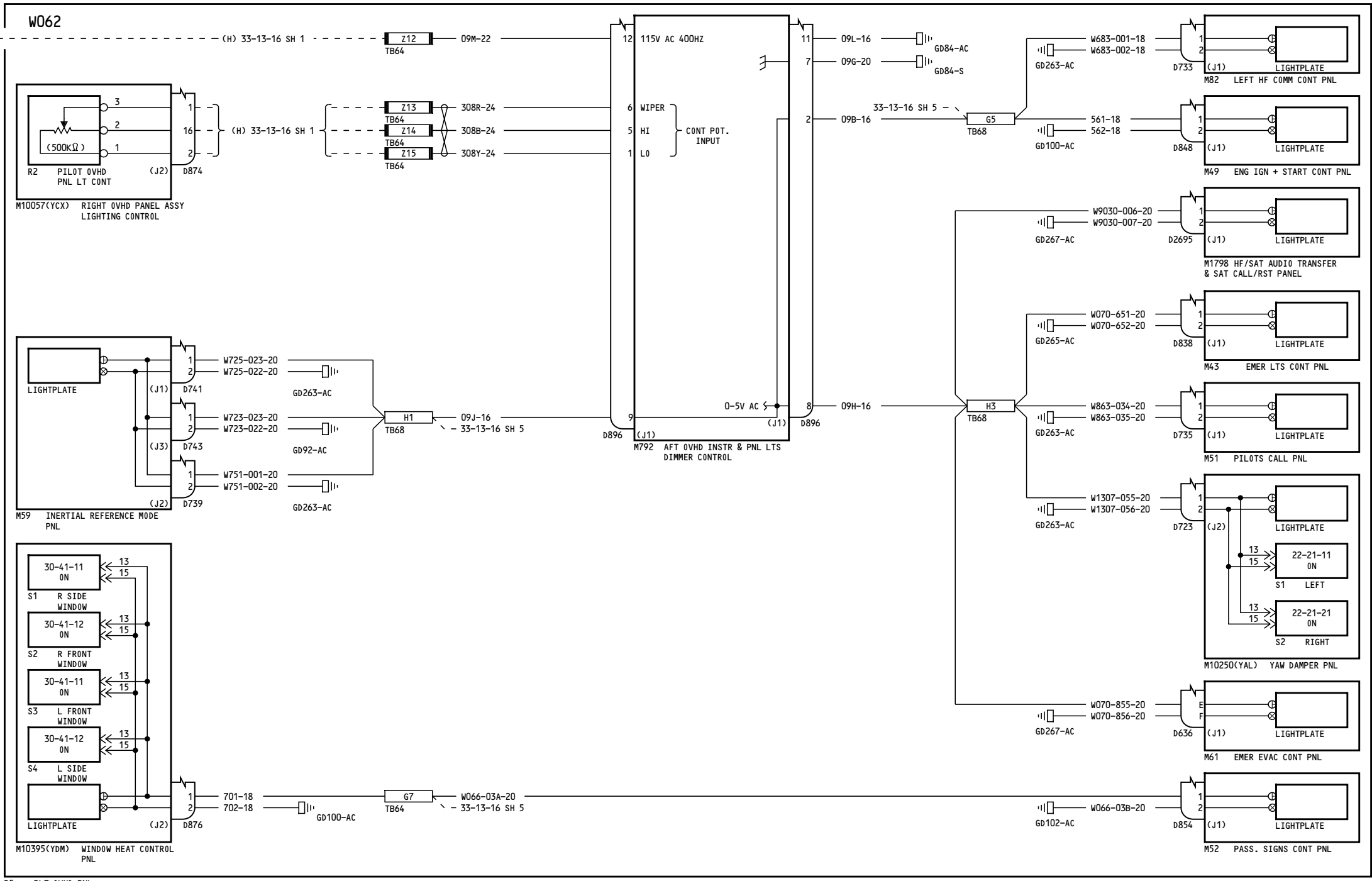
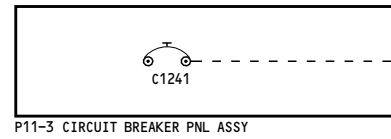
33-13-16

Page 2.1A
Sheet 1
Jan 21/2005

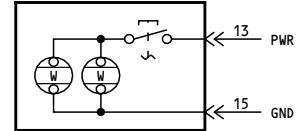
Incorporates
25-0332

33-13-16

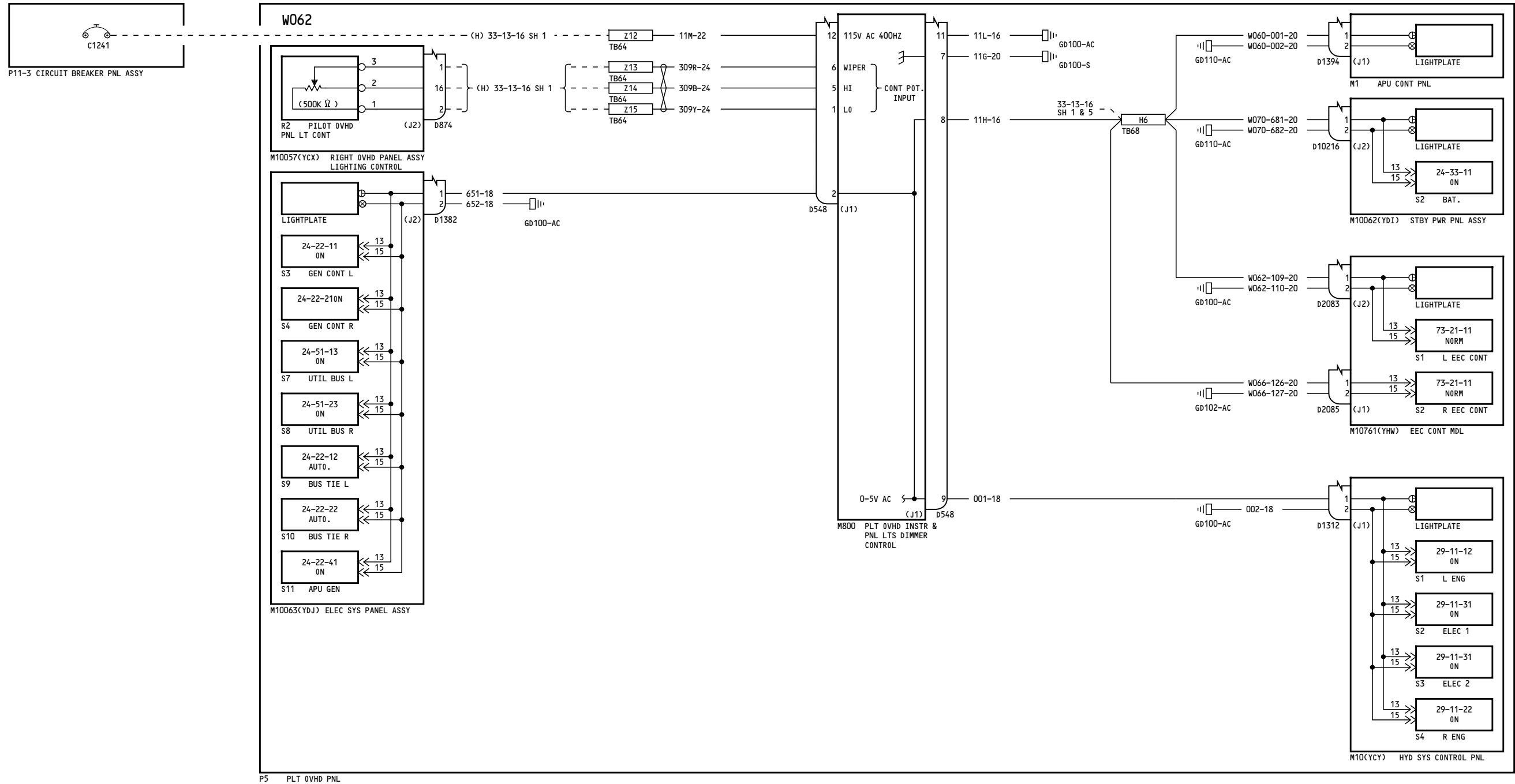
Page 2.1A
Sheet 1
Jan 21/2005



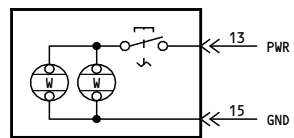
NOTES:
TYPICAL LIGHTED SWITCH CONFIGURATION EXCEPT WHERE SHOWN OTHERWISE (SHOWN FOR REFERENCE ONLY)



56



NOTES:
 TYPICAL LIGHTED SWITCH CONFIGURATION EXCEPT WHERE SHOWN OTHERWISE (SHOWN FOR REFERENCE ONLY)



150, 153

**INSTRUMENT & PANEL LIGHTS
 PILOTS-
 OVERHEAD PANEL**

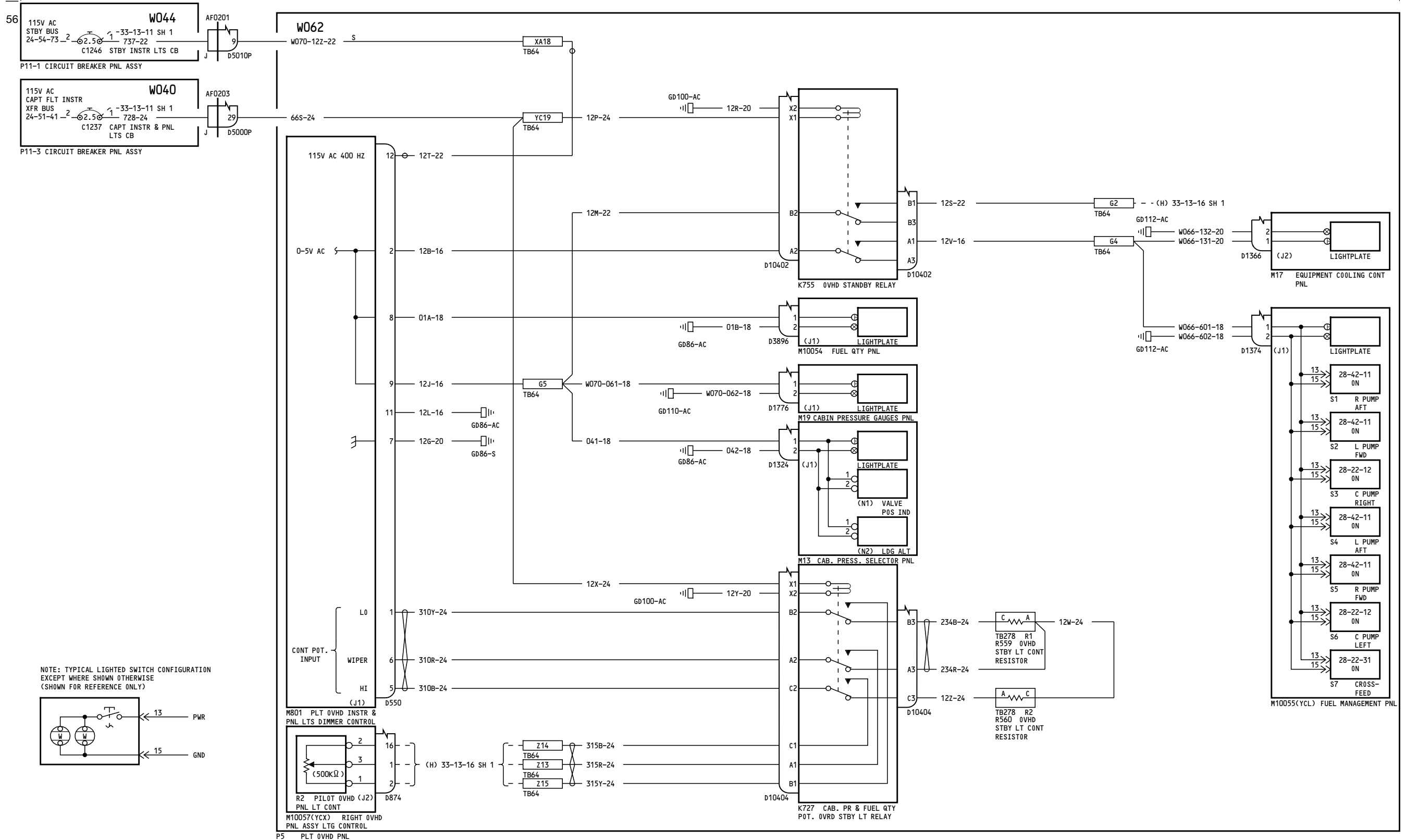
D280T132

33-13-16

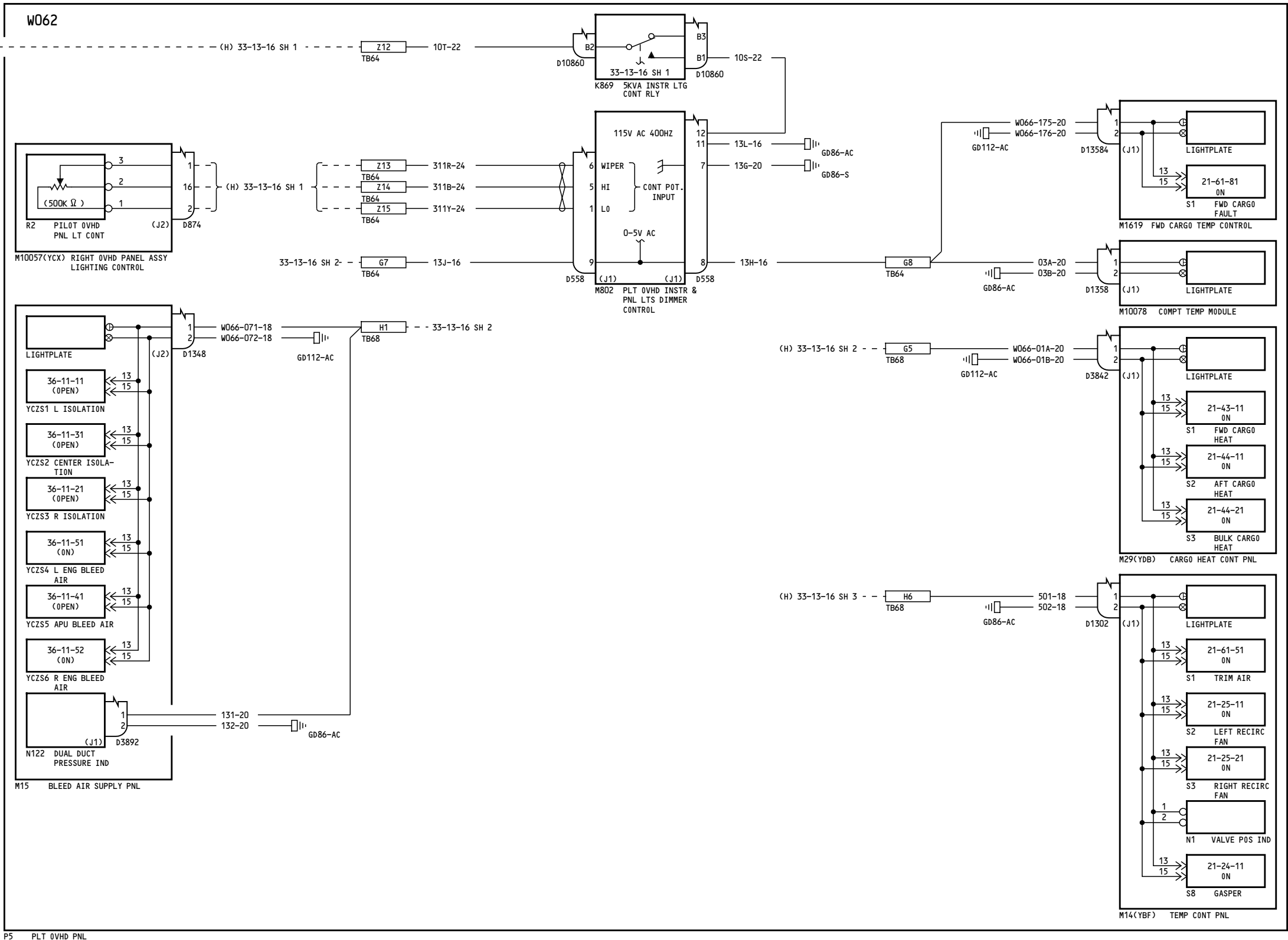
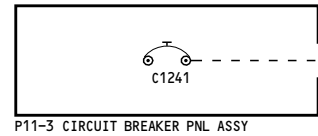
Page 2.1A
 Sheet 3
 Jan 21/2005

33-13-16

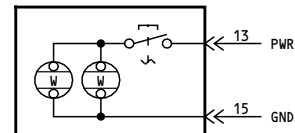
Page 2.1A
 Sheet 3
 Jan 21/2005



56



NOTES:
TYPICAL LIGHTED SWITCH CONFIGURATION EXCEPT WHERE SHOWN OTHERWISE (SHOWN FOR REFERENCE ONLY)



P5 PLT OVHD PNL

150, 153

**INSTRUMENT & PANEL LIGHTS
PILOTS-
OVERHEAD PANEL**

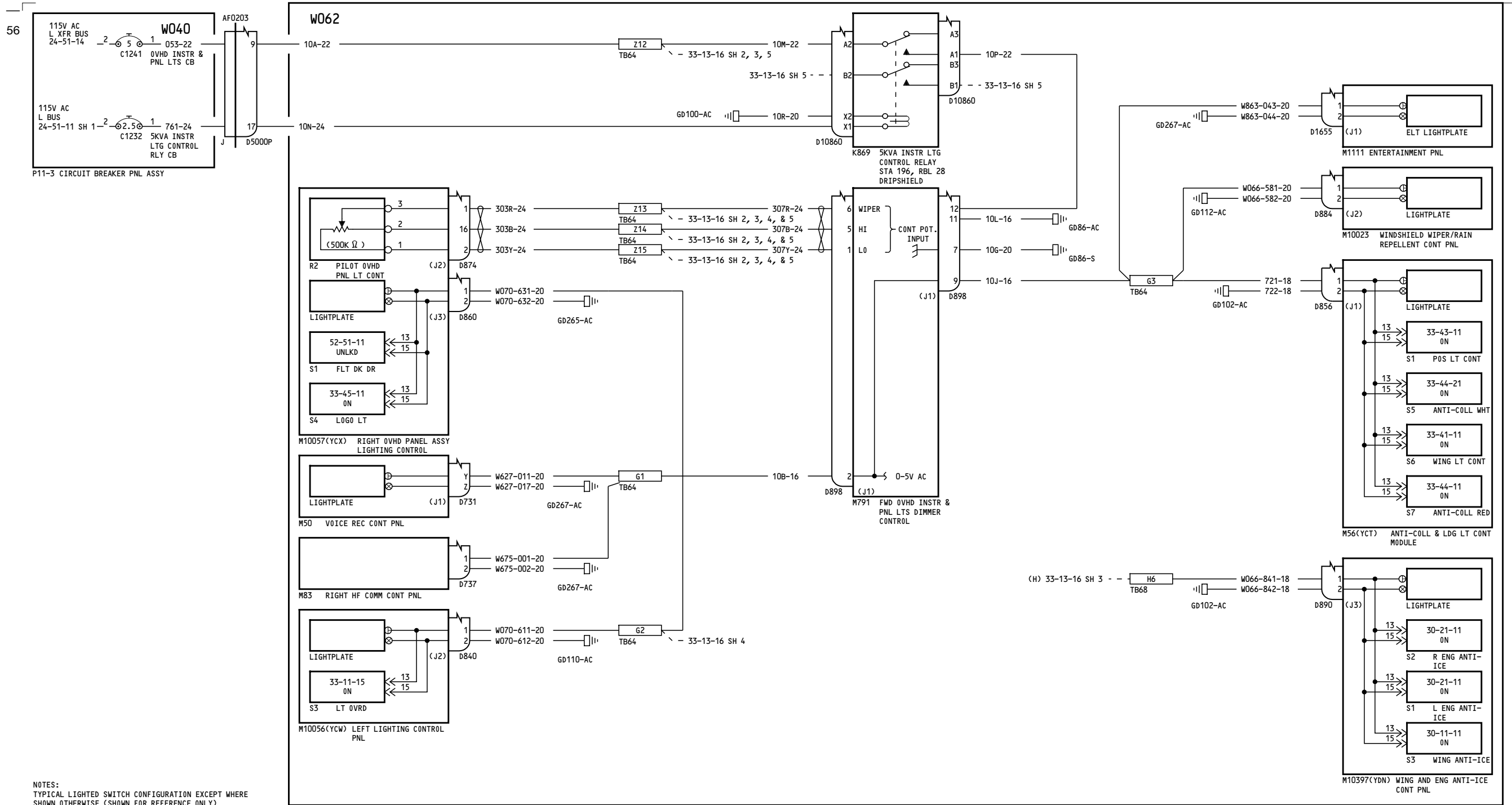
D280T132

33-13-16

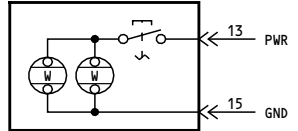
Page 2.1A
Sheet 5
Jan 21/2005

33-13-16

Page 2.1A
Sheet 5
Jan 21/2005



NOTES:
 TYPICAL LIGHTED SWITCH CONFIGURATION EXCEPT WHERE SHOWN OTHERWISE (SHOWN FOR REFERENCE ONLY)



151-152

**INSTRUMENT & PANEL LIGHTS
 PILOTS-
 OVERHEAD PANEL**

D280T132

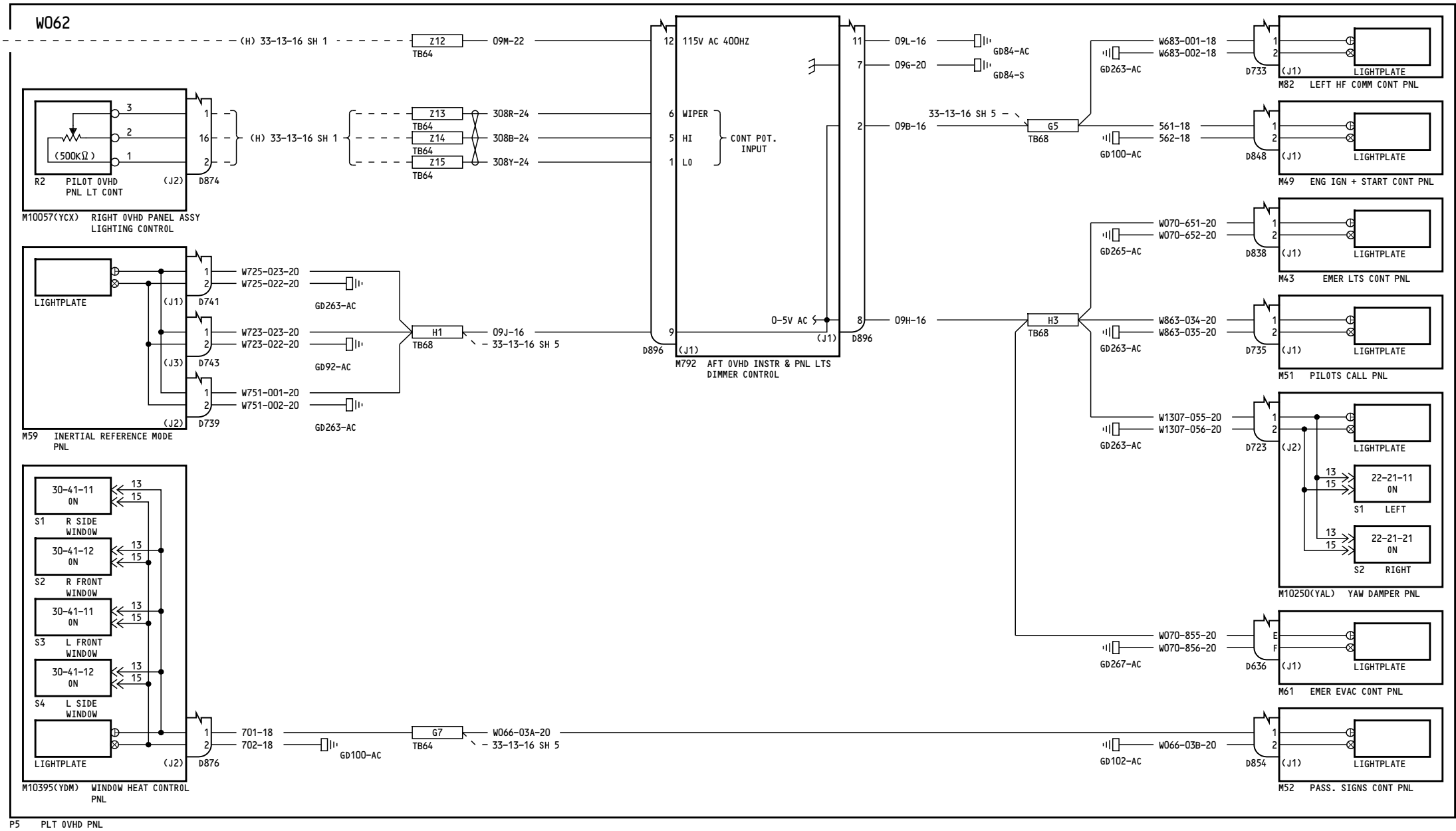
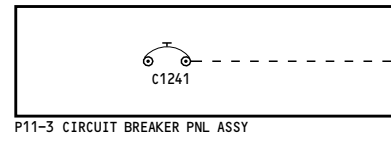
33-13-16

Page 3
 Sheet 1
 Jan 21/2005

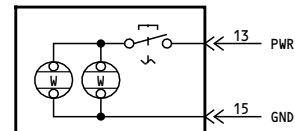
33-13-16

Page 3
 Sheet 1
 Jan 21/2005

56



NOTES:
TYPICAL LIGHTED SWITCH CONFIGURATION EXCEPT WHERE SHOWN OTHERWISE (SHOWN FOR REFERENCE ONLY)



151-152

**INSTRUMENT & PANEL LIGHTS
PILOTS-
OVERHEAD PANEL**

D280T132

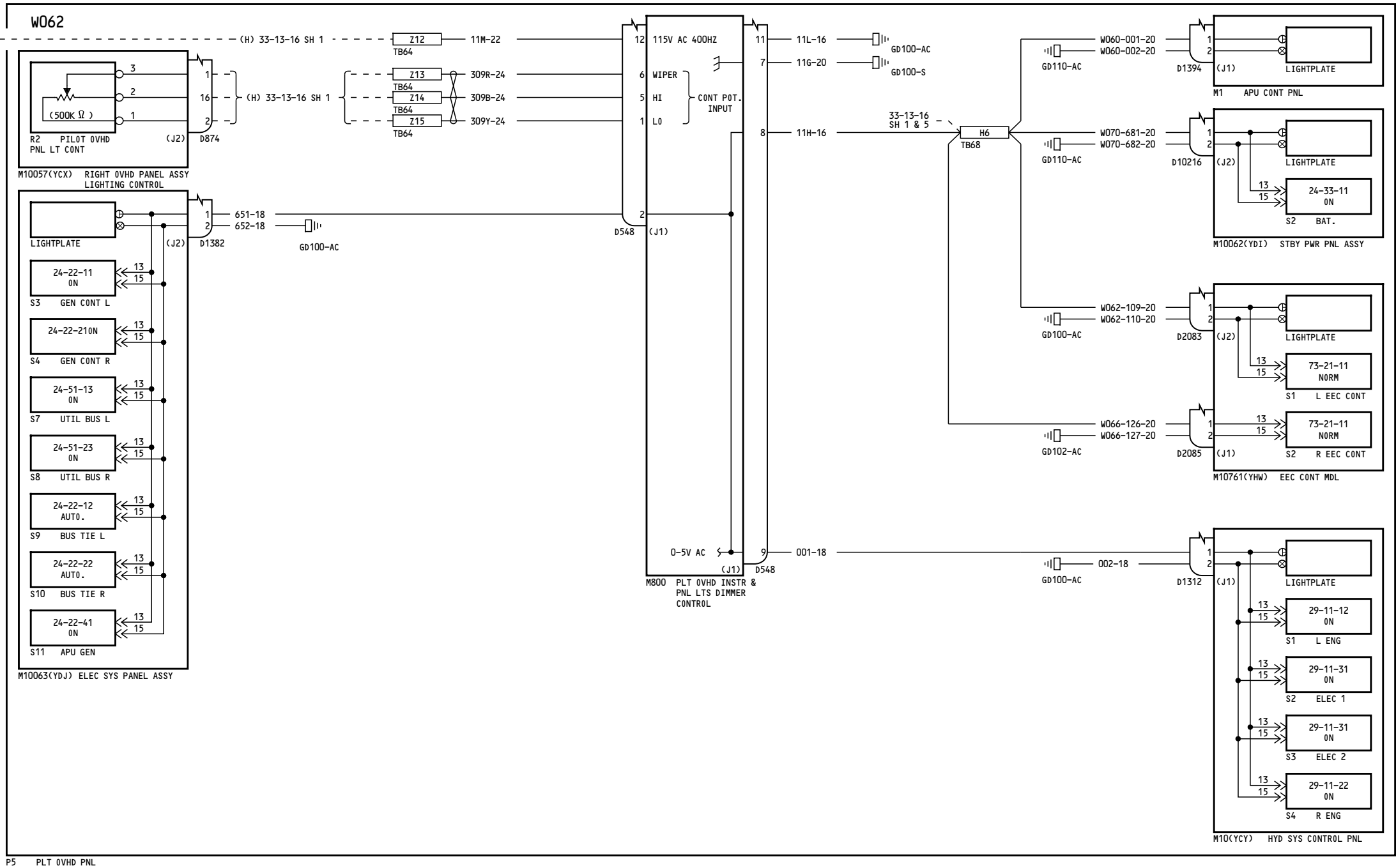
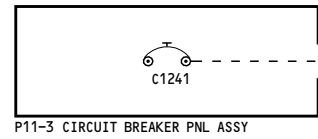
33-13-16

Page 3
Sheet 2
Jan 21/2005

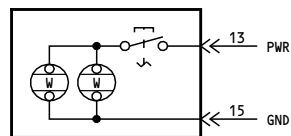
33-13-16

Page 3
Sheet 2
Jan 21/2005

56



NOTES:
TYPICAL LIGHTED SWITCH CONFIGURATION EXCEPT WHERE SHOWN OTHERWISE (SHOWN FOR REFERENCE ONLY)



151-152

**INSTRUMENT & PANEL LIGHTS
PILOTS-
OVERHEAD PANEL**

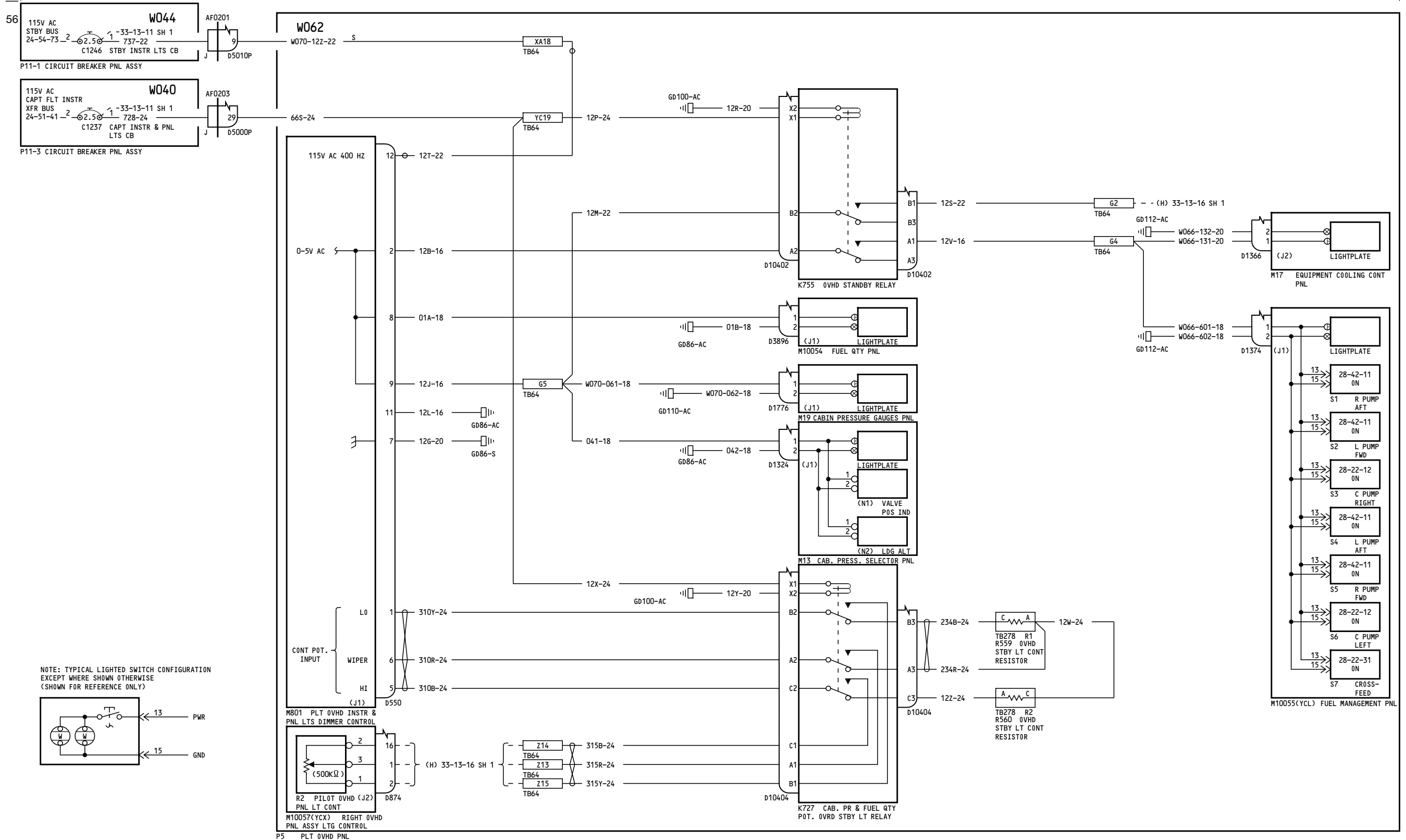
D280T132

33-13-16

Page 3
Sheet 3
Jan 21/2005

33-13-16

Page 3
Sheet 3
Jan 21/2005



151-152

**INSTRUMENT & PANEL LIGHTS
PILOTS-
OVERHEAD PANEL**

D280T132

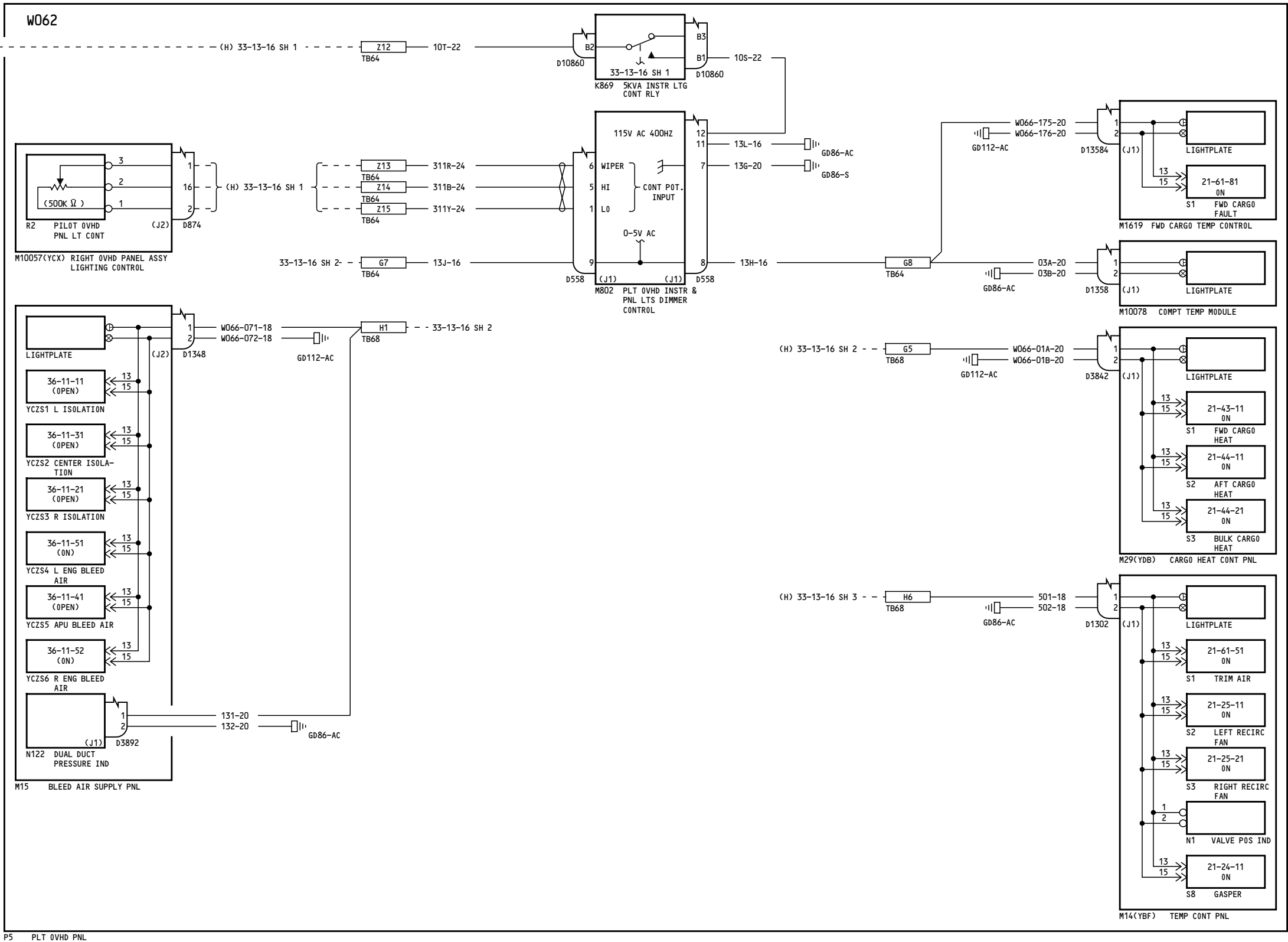
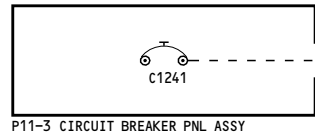
33-13-16

Page 3
Sheet 4
Jan 21/2005

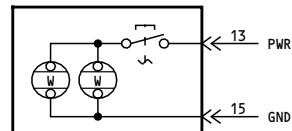
33-13-16

Page 3
Sheet 4
Jan 21/2005

56



NOTES:
TYPICAL LIGHTED SWITCH CONFIGURATION EXCEPT WHERE SHOWN OTHERWISE (SHOWN FOR REFERENCE ONLY)



151-152

**INSTRUMENT & PANEL LIGHTS
PILOTS-
OVERHEAD PANEL**

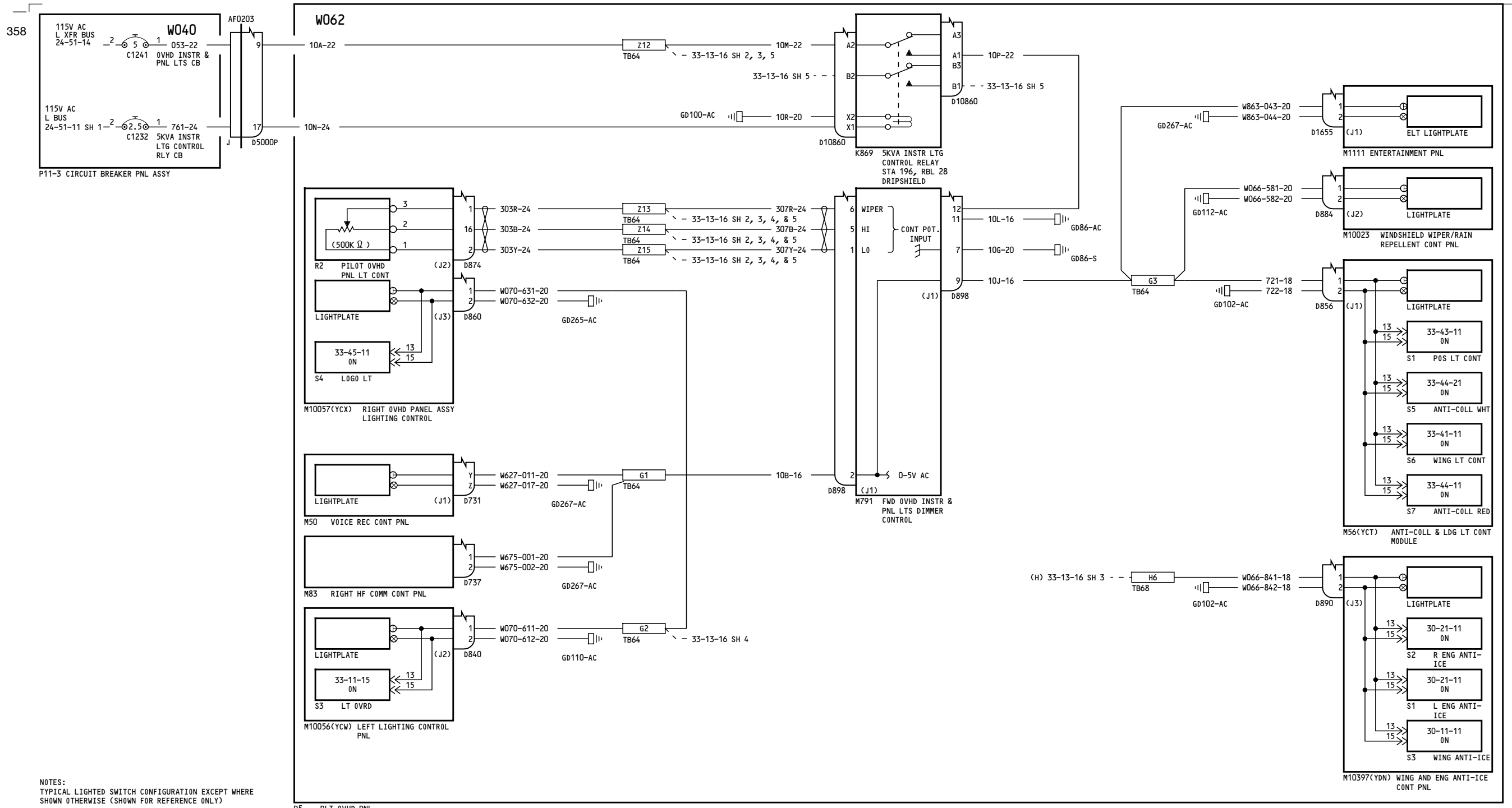
D280T132

33-13-16

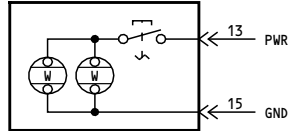
Page 3
Sheet 5
Jan 21/2005

33-13-16

Page 3
Sheet 5
Jan 21/2005



NOTES:
TYPICAL LIGHTED SWITCH CONFIGURATION EXCEPT WHERE SHOWN OTHERWISE (SHOWN FOR REFERENCE ONLY)



151-152

**INSTRUMENT & PANEL LIGHTS
PILOTS-
OVERHEAD PANEL**

D280T132

33-13-16

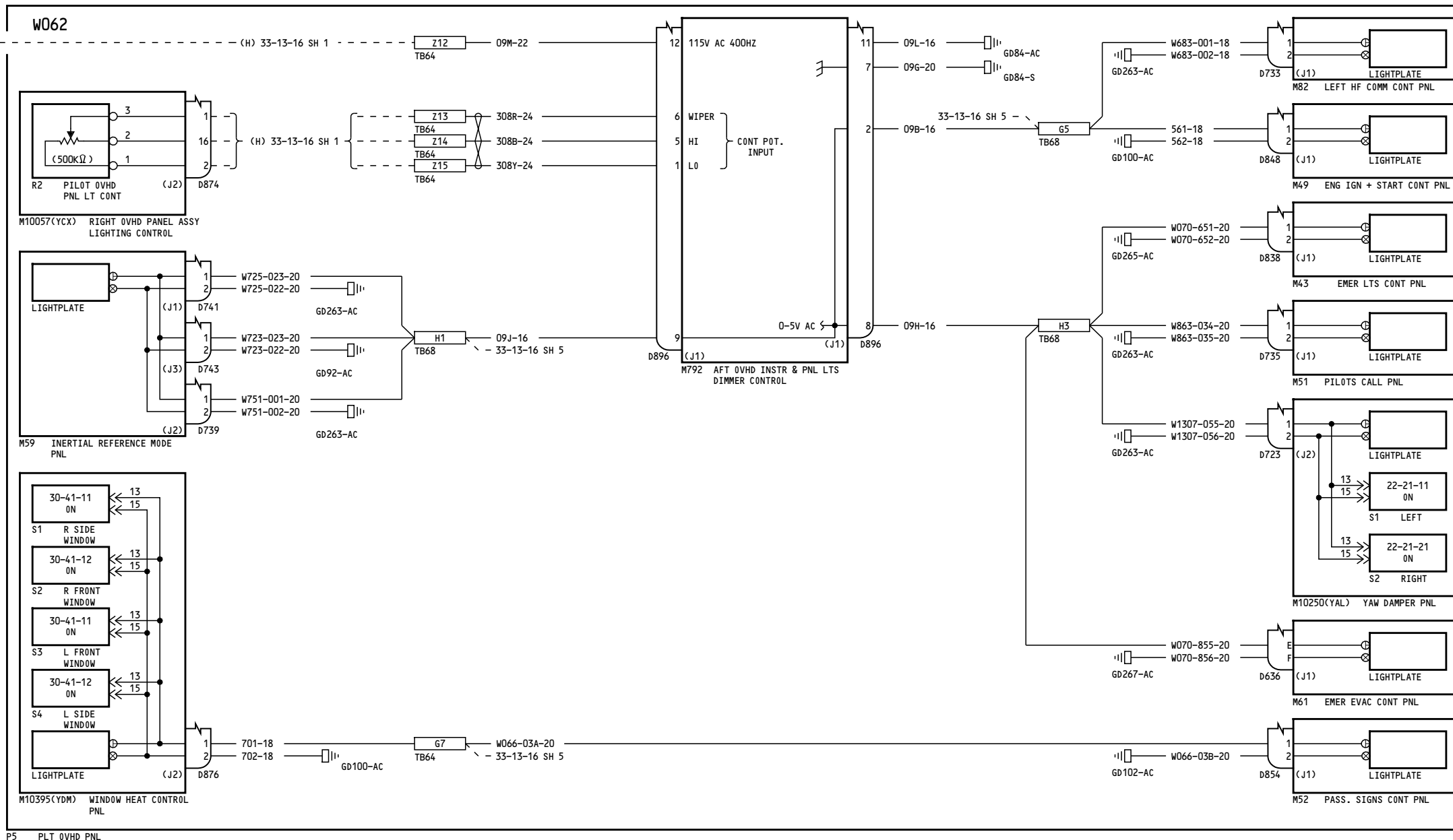
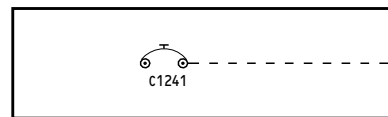
Page 3.1
Sheet 1
Jan 21/2005

Incorporates
25-0332

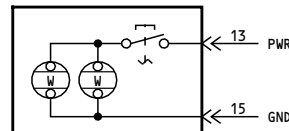
33-13-16

Page 3.1
Sheet 1
Jan 21/2005

56



NOTES:
TYPICAL LIGHTED SWITCH CONFIGURATION EXCEPT WHERE SHOWN OTHERWISE (SHOWN FOR REFERENCE ONLY)



151-152

**INSTRUMENT & PANEL LIGHTS
PILOTS-
OVERHEAD PANEL**

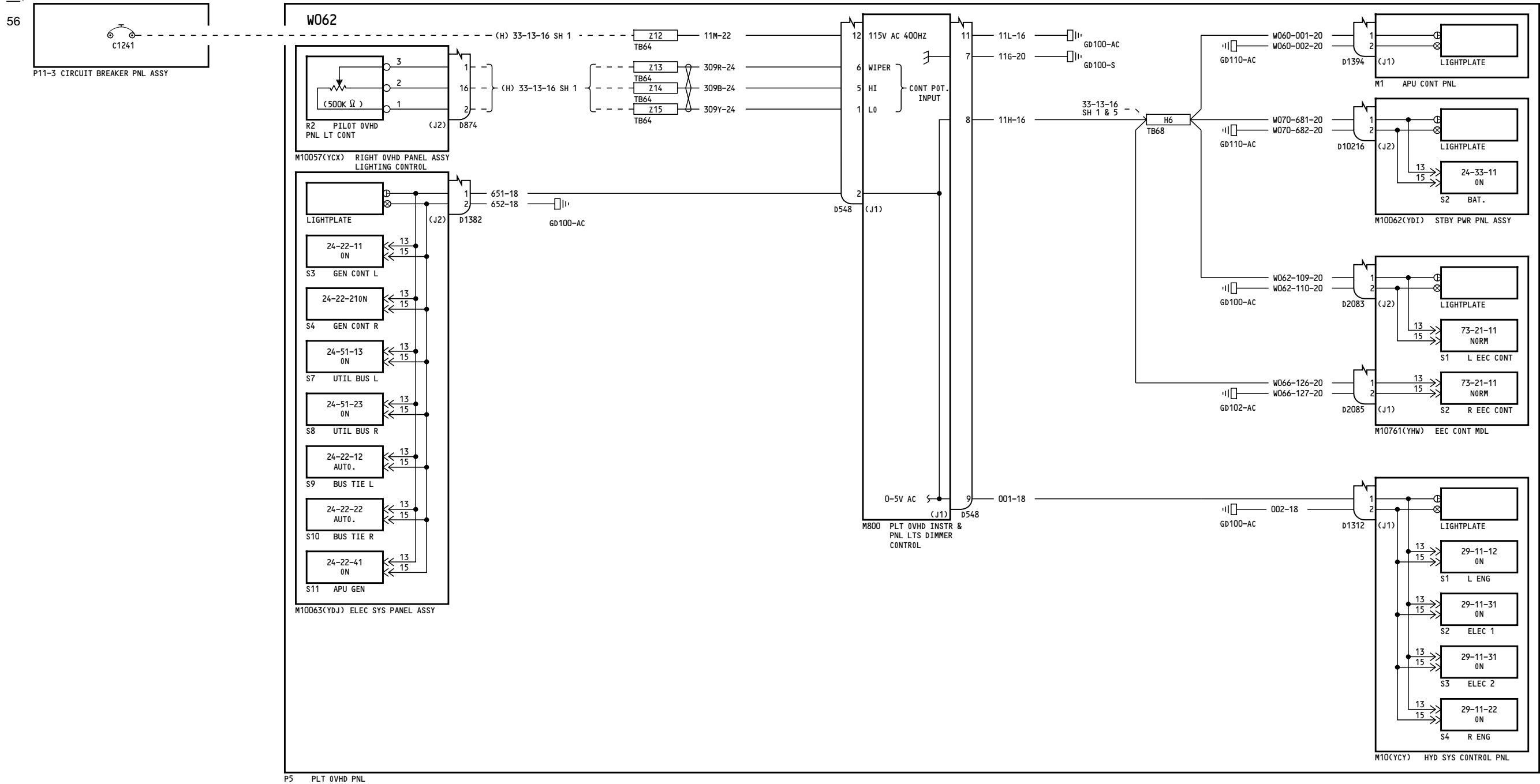
33-13-16

Page 3.1
Sheet 2
Jan 21/2005

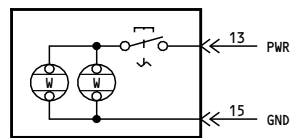
D280T132

33-13-16

Page 3.1
Sheet 2
Jan 21/2005



NOTES:
TYPICAL LIGHTED SWITCH CONFIGURATION EXCEPT WHERE SHOWN OTHERWISE (SHOWN FOR REFERENCE ONLY)



151-152

**INSTRUMENT & PANEL LIGHTS
PILOTS-
OVERHEAD PANEL**

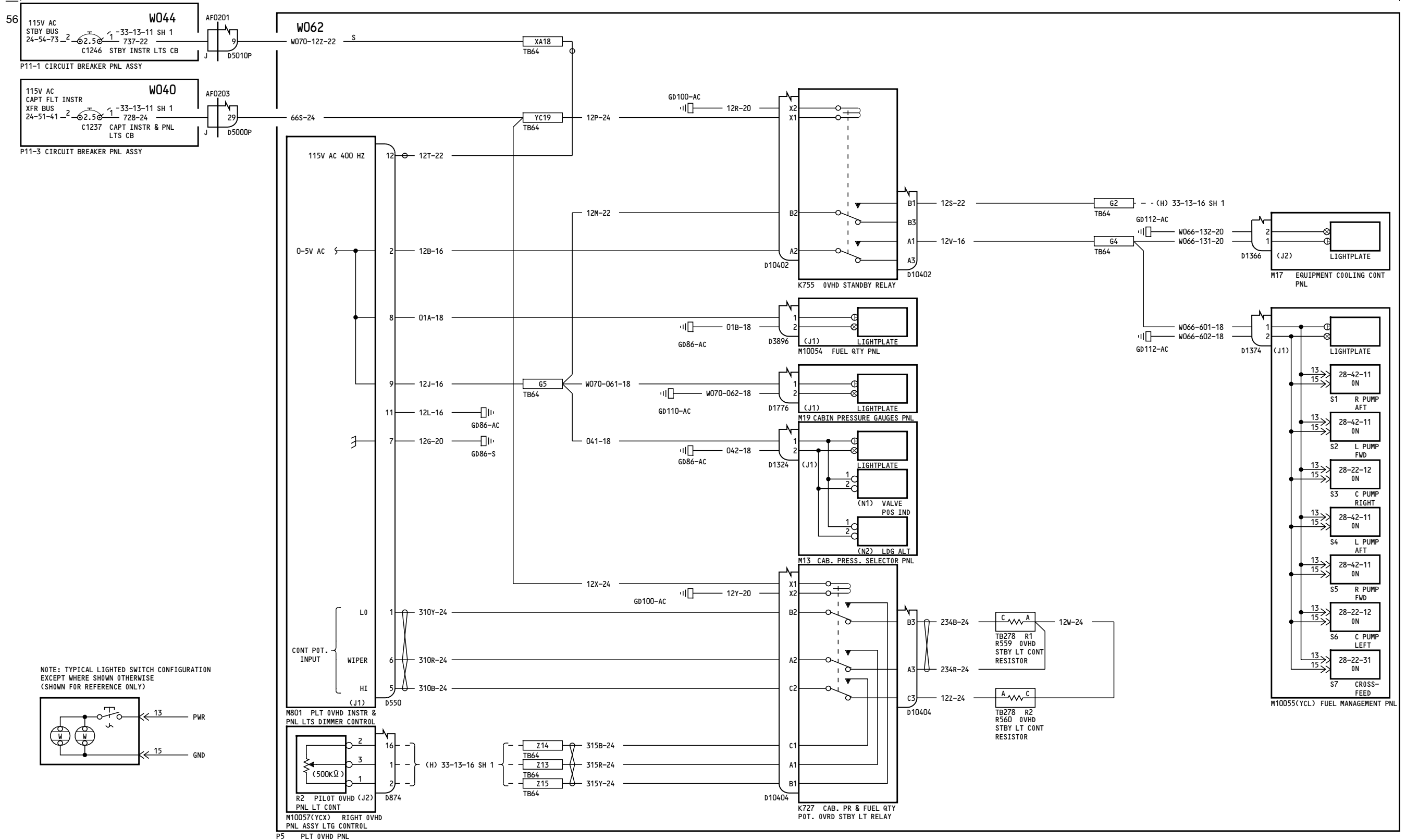
D280T132

33-13-16

Page 3.1
Sheet 3
Jan 21/2005

33-13-16

Page 3.1
Sheet 3
Jan 21/2005



151-152

**INSTRUMENT & PANEL LIGHTS
PILOTS-
OVERHEAD PANEL**

D280T132

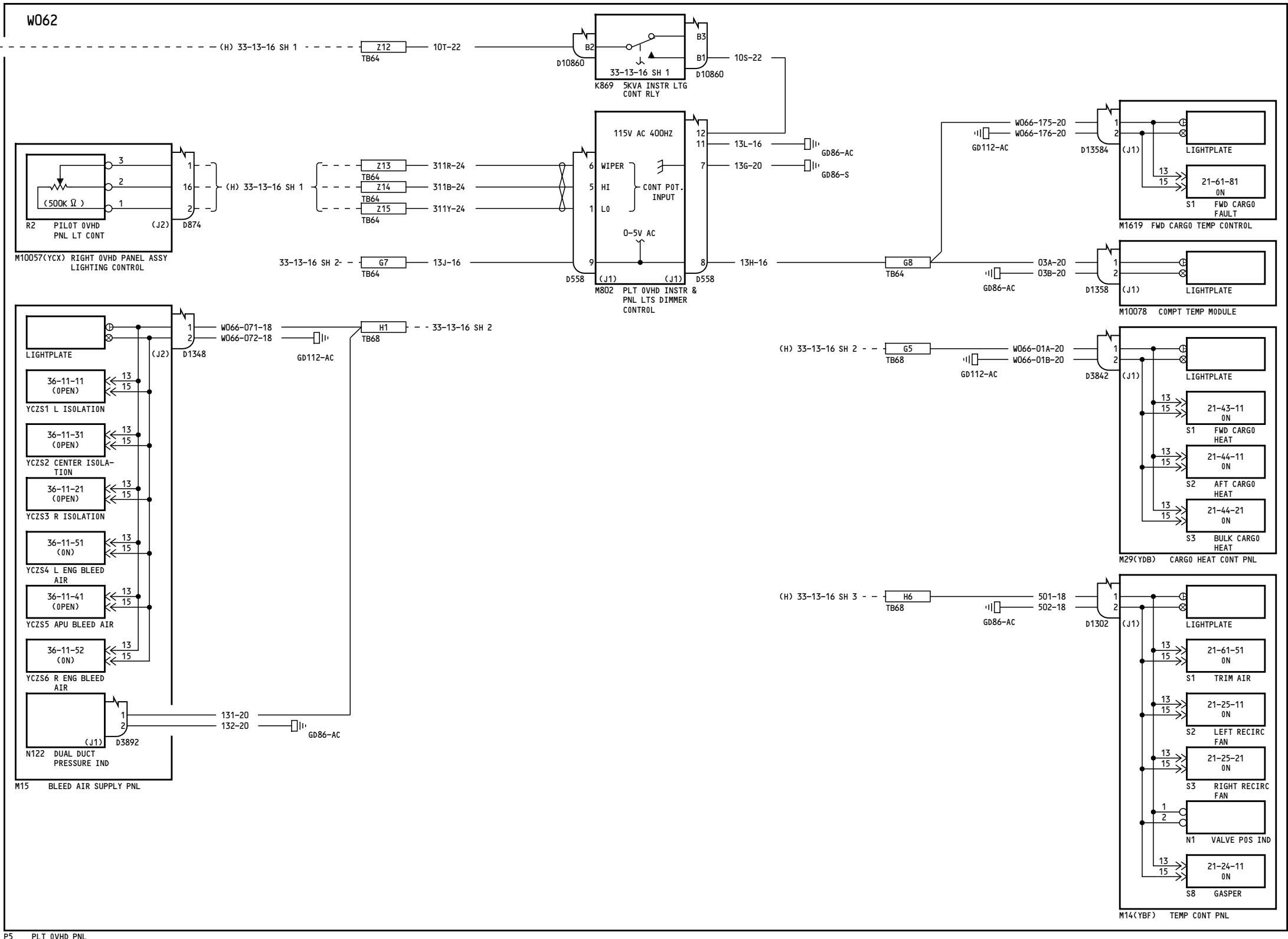
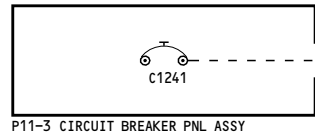
33-13-16

Page 3.1
Sheet 4
Jan 21/2005

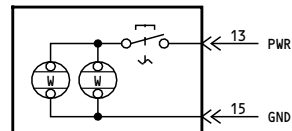
33-13-16

Page 3.1
Sheet 4
Jan 21/2005

56



NOTES:
TYPICAL LIGHTED SWITCH CONFIGURATION EXCEPT WHERE SHOWN OTHERWISE (SHOWN FOR REFERENCE ONLY)



151-152

**INSTRUMENT & PANEL LIGHTS
PILOTS-
OVERHEAD PANEL**

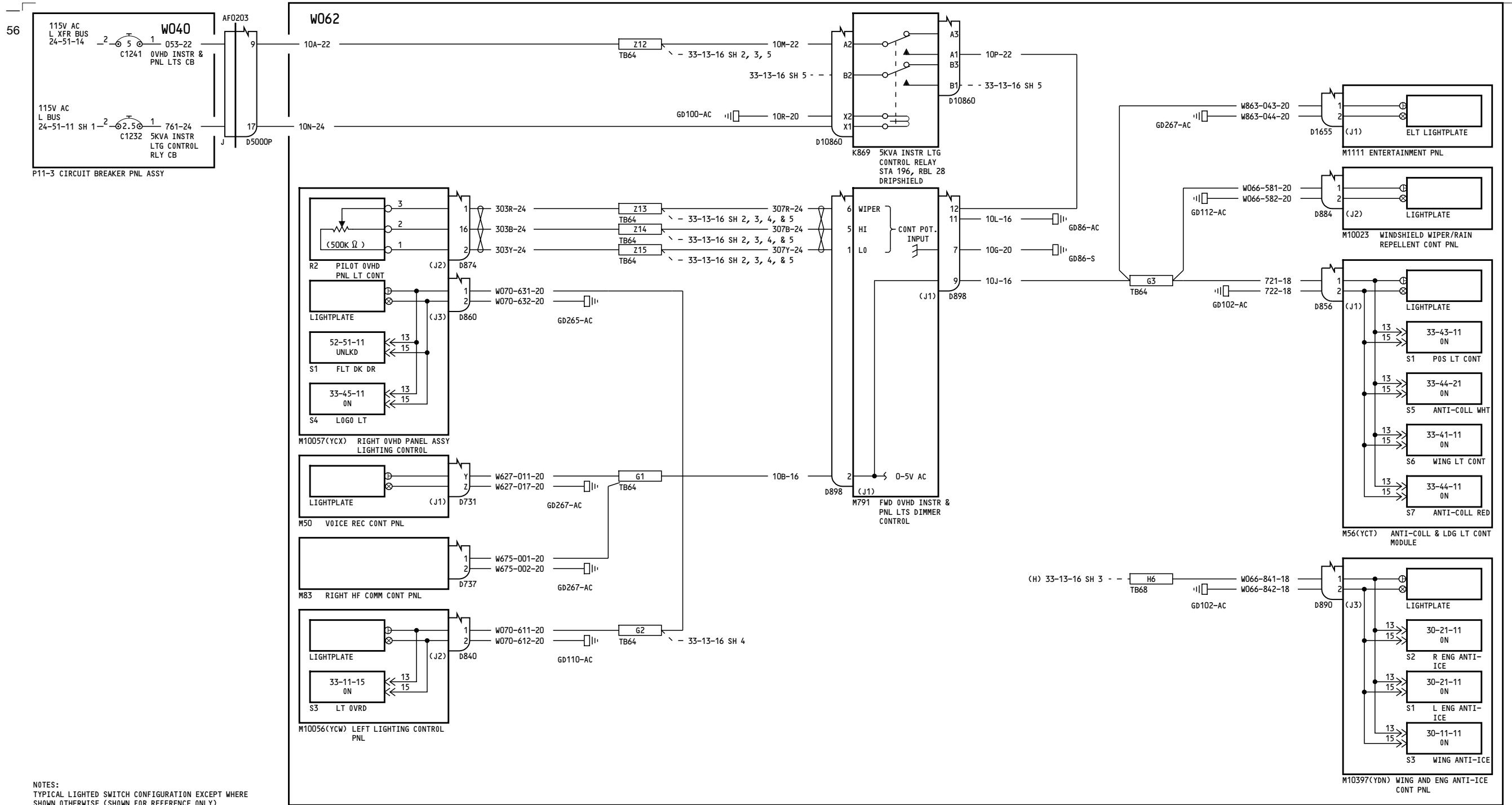
D280T132

33-13-16

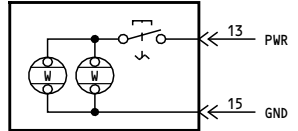
Page 3.1
Sheet 5
Jan 21/2005

33-13-16

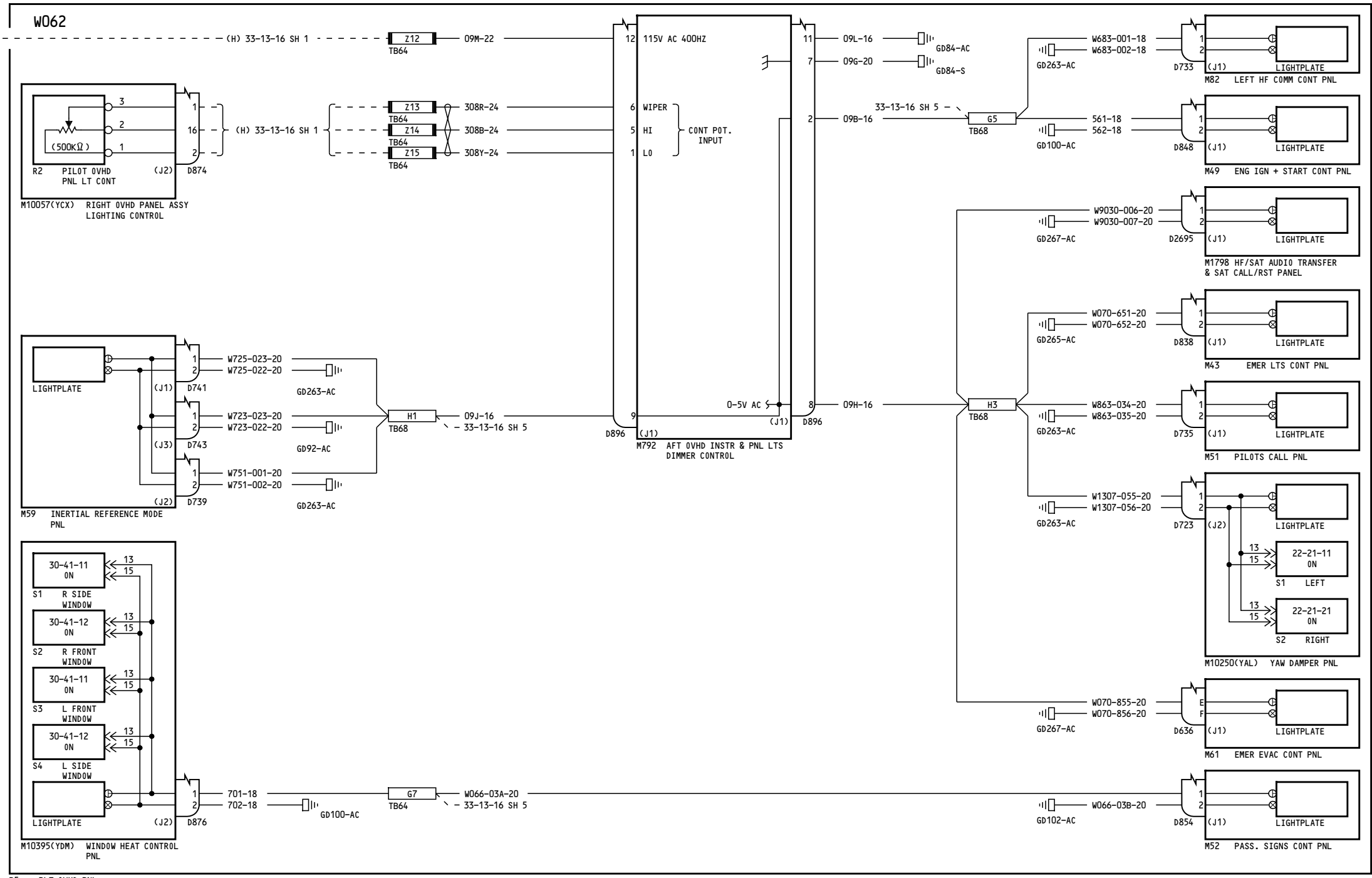
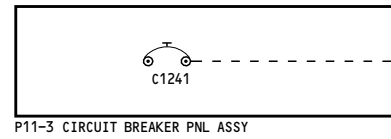
Page 3.1
Sheet 5
Jan 21/2005



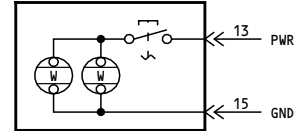
NOTES:
 TYPICAL LIGHTED SWITCH CONFIGURATION EXCEPT WHERE SHOWN OTHERWISE (SHOWN FOR REFERENCE ONLY)



188



NOTES:
TYPICAL LIGHTED SWITCH CONFIGURATION EXCEPT WHERE SHOWN OTHERWISE (SHOWN FOR REFERENCE ONLY)



154

**INSTRUMENT & PANEL LIGHTS
PILOTS-
OVERHEAD PANEL**

D280T132

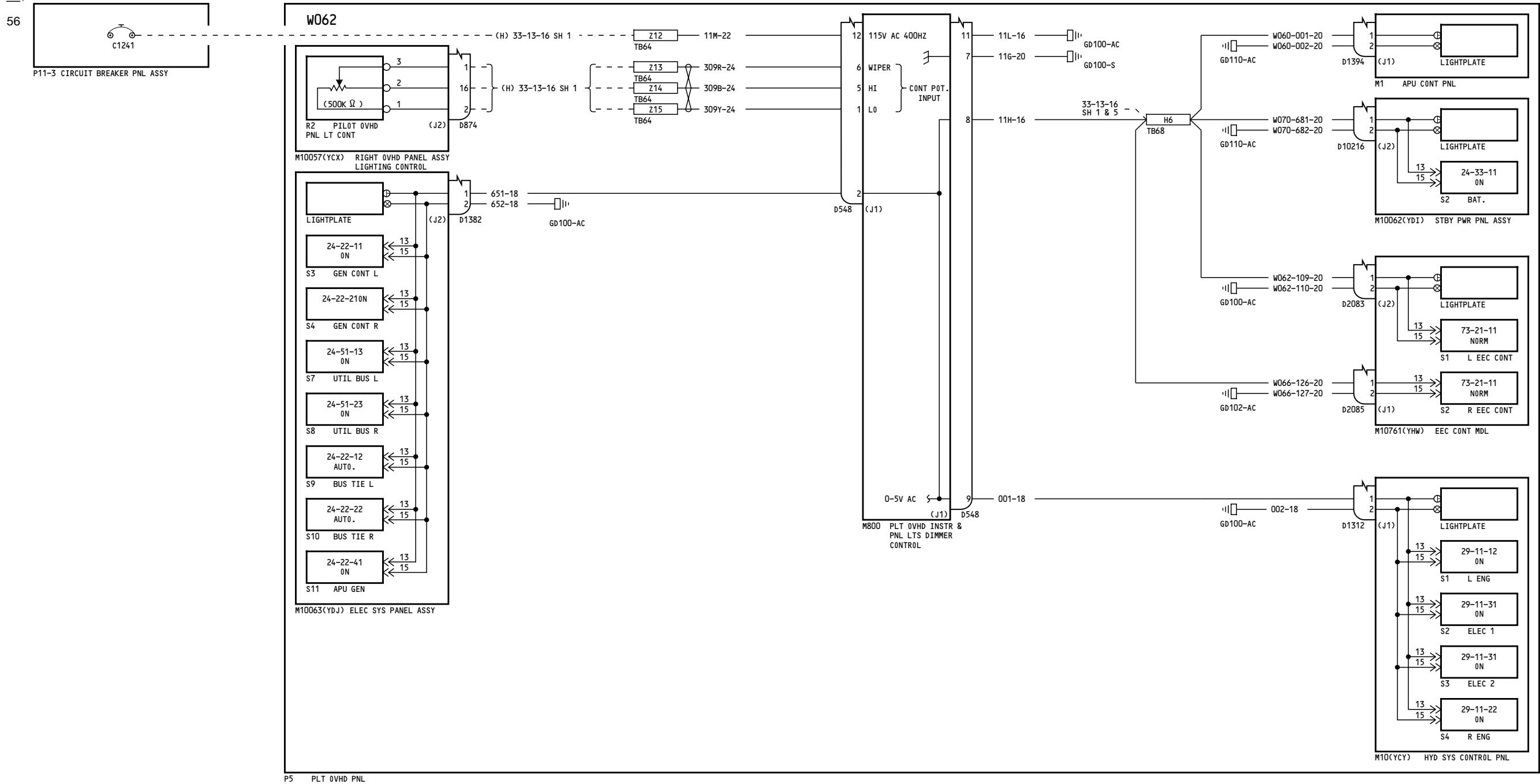
33-13-16

Page 4A
Sheet 2
Mar 09/2006

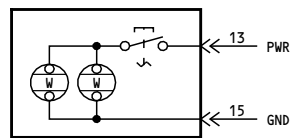
Incorporates
MTO 230593

33-13-16

Page 4A
Sheet 2
Mar 09/2006



NOTES:
TYPICAL LIGHTED SWITCH CONFIGURATION EXCEPT WHERE SHOWN OTHERWISE (SHOWN FOR REFERENCE ONLY)



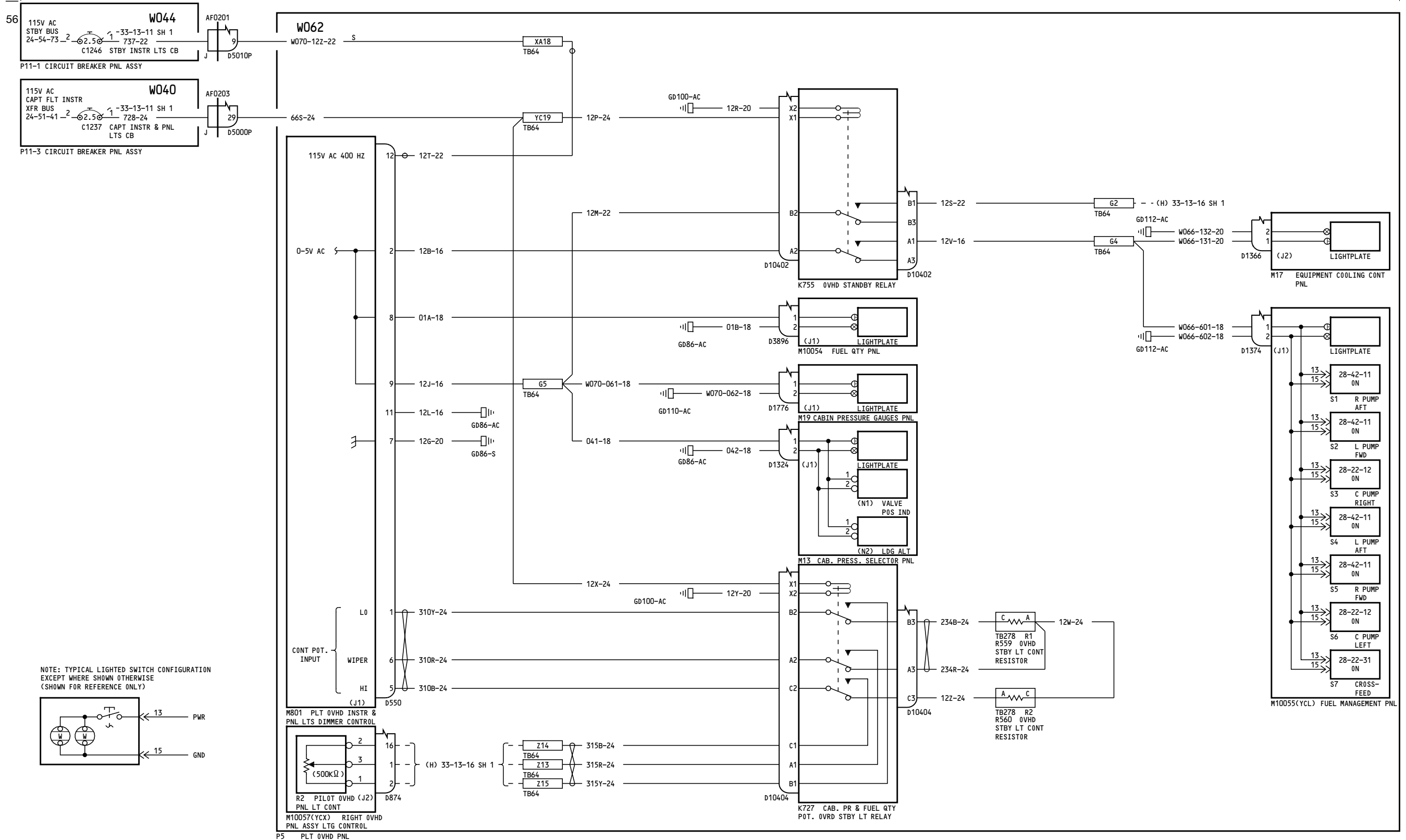
| | |
|----------|---------------------------------------------------------------------|
| 154 | INSTRUMENT & PANEL LIGHTS PILOTS- OVERHEAD PANEL |
| D280T132 | |

33-13-16

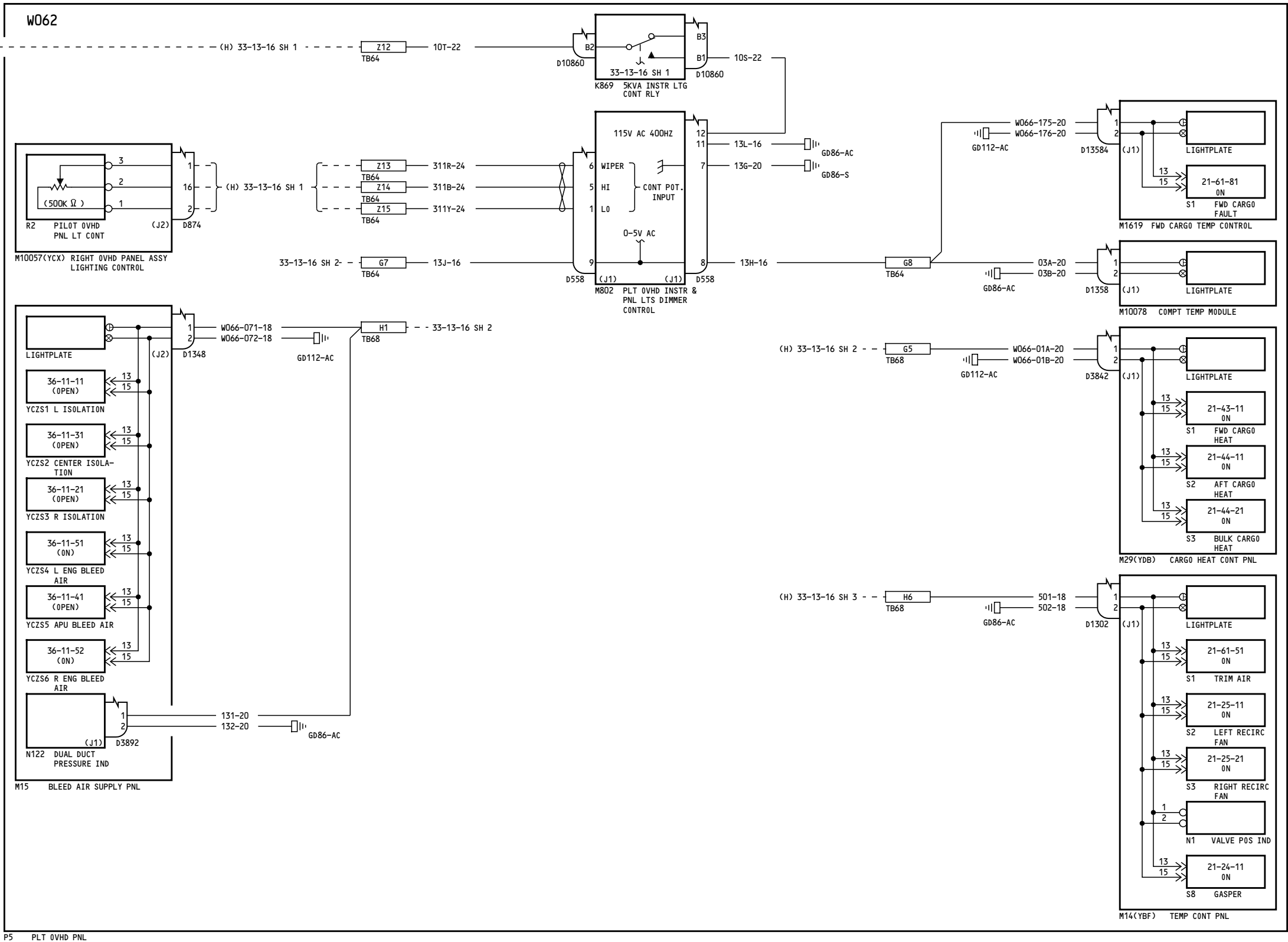
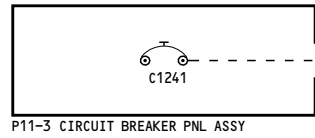
Page 4A
Sheet 3
Mar 09/2006

33-13-16

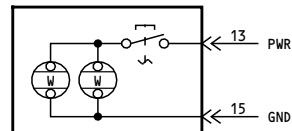
Page 4A
Sheet 3
Mar 09/2006



56



NOTES:
TYPICAL LIGHTED SWITCH CONFIGURATION EXCEPT WHERE SHOWN OTHERWISE (SHOWN FOR REFERENCE ONLY)



P5 PLT OVHD PNL

154

**INSTRUMENT & PANEL LIGHTS
PILOTS-
OVERHEAD PANEL**

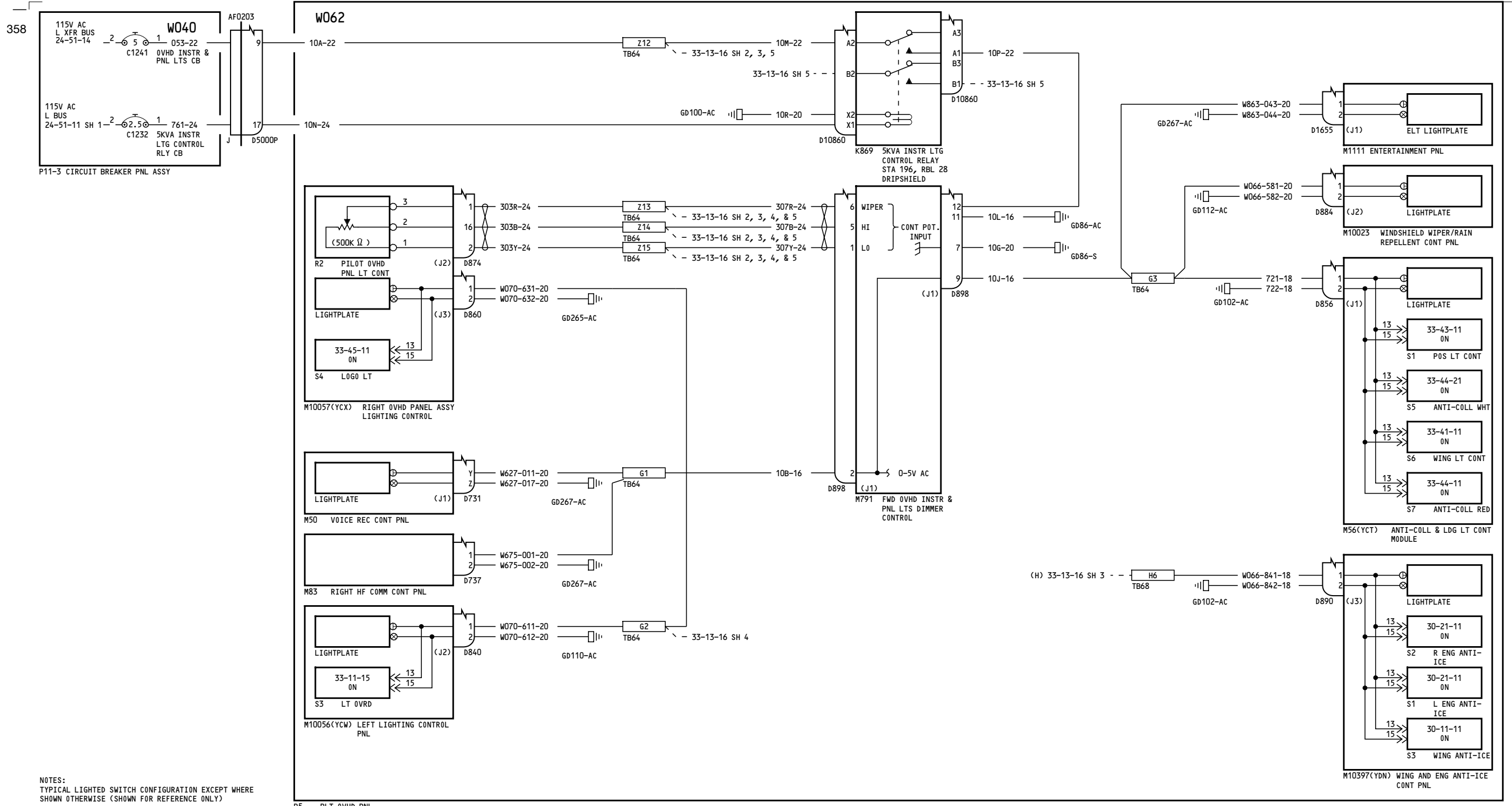
D280T132

33-13-16

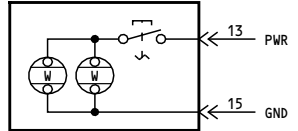
Page 4A
Sheet 5
Mar 09/2006

33-13-16

Page 4A
Sheet 5
Mar 09/2006



NOTES:
TYPICAL LIGHTED SWITCH CONFIGURATION EXCEPT WHERE SHOWN OTHERWISE (SHOWN FOR REFERENCE ONLY)

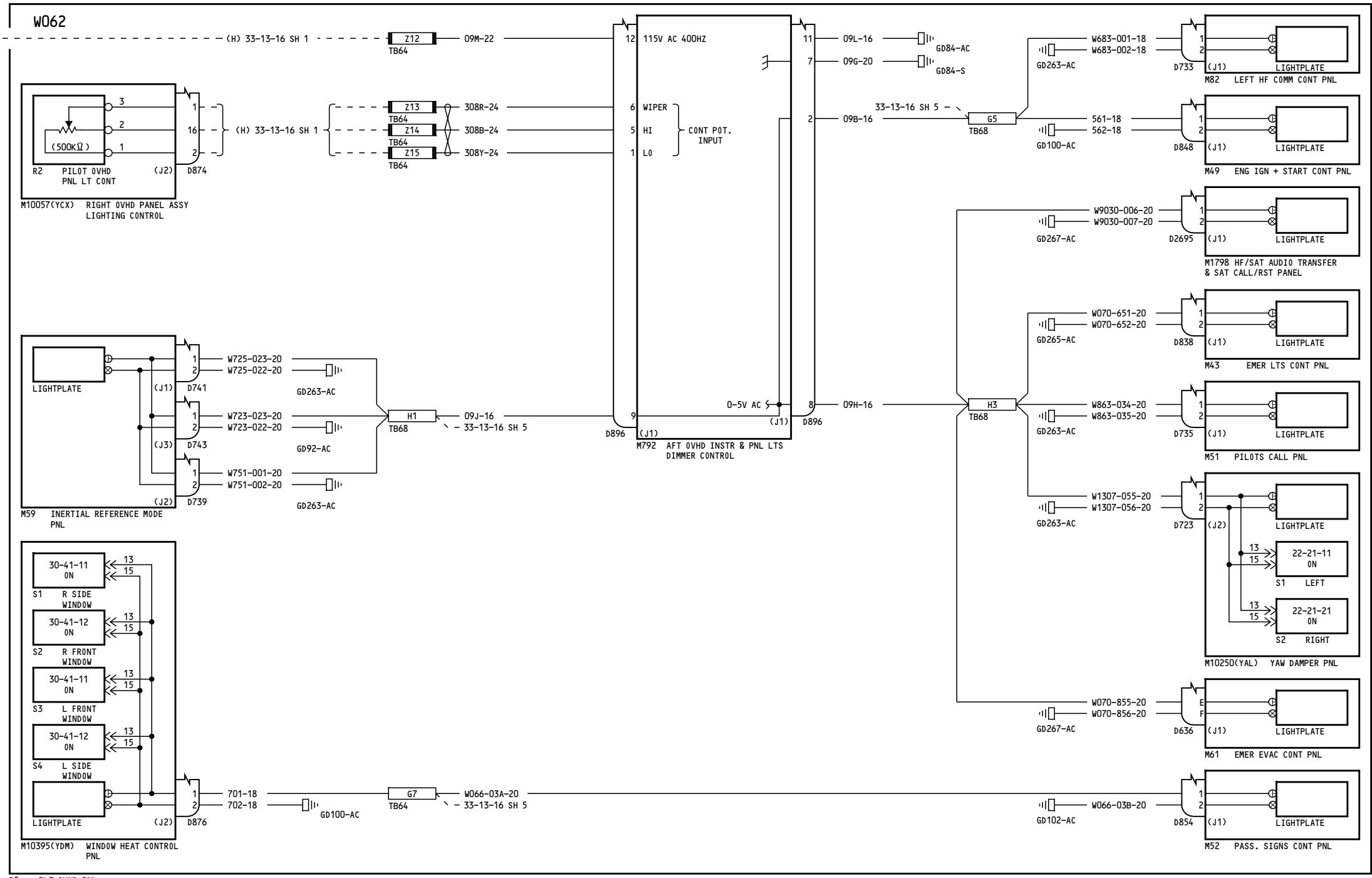
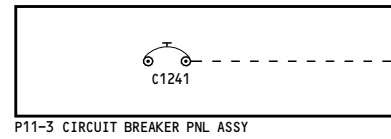


**INSTRUMENT & PANEL LIGHTS
PILOTS-
OVERHEAD PANEL**

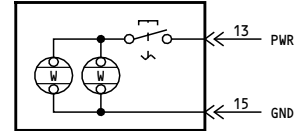
D280T132

Incorporates
25-0332 R02

188



NOTES:
TYPICAL LIGHTED SWITCH CONFIGURATION EXCEPT WHERE SHOWN OTHERWISE (SHOWN FOR REFERENCE ONLY)



154

**INSTRUMENT & PANEL LIGHTS
PILOTS-
OVERHEAD PANEL**

D280T132

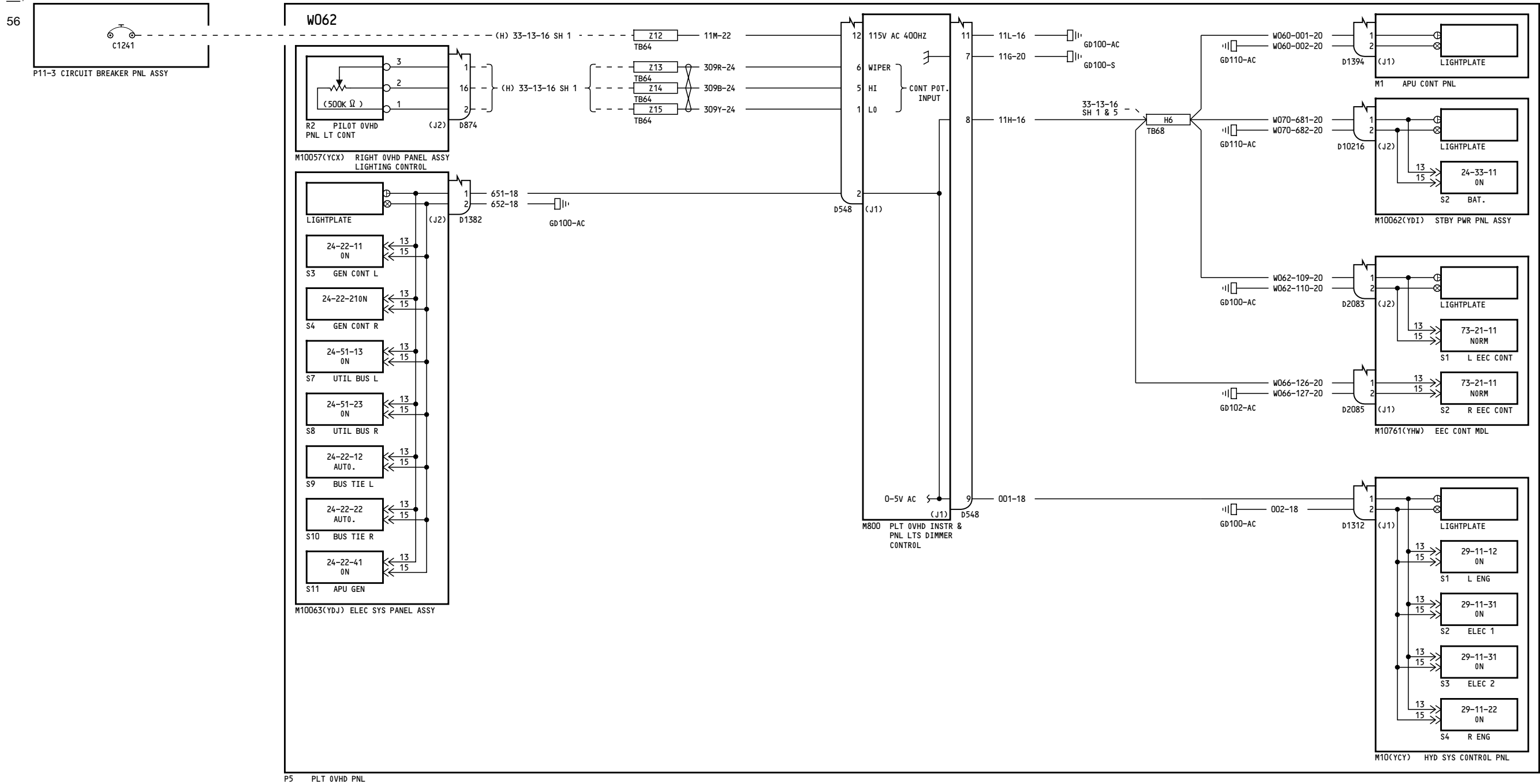
33-13-16

Page 4.1A
Sheet 2
Mar 09/2006

Incorporates
MTO 230593

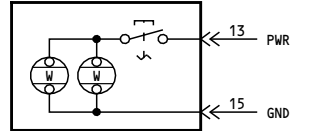
33-13-16

Page 4.1A
Sheet 2
Mar 09/2006



56

NOTES:
 TYPICAL LIGHTED SWITCH CONFIGURATION EXCEPT WHERE SHOWN OTHERWISE (SHOWN FOR REFERENCE ONLY)



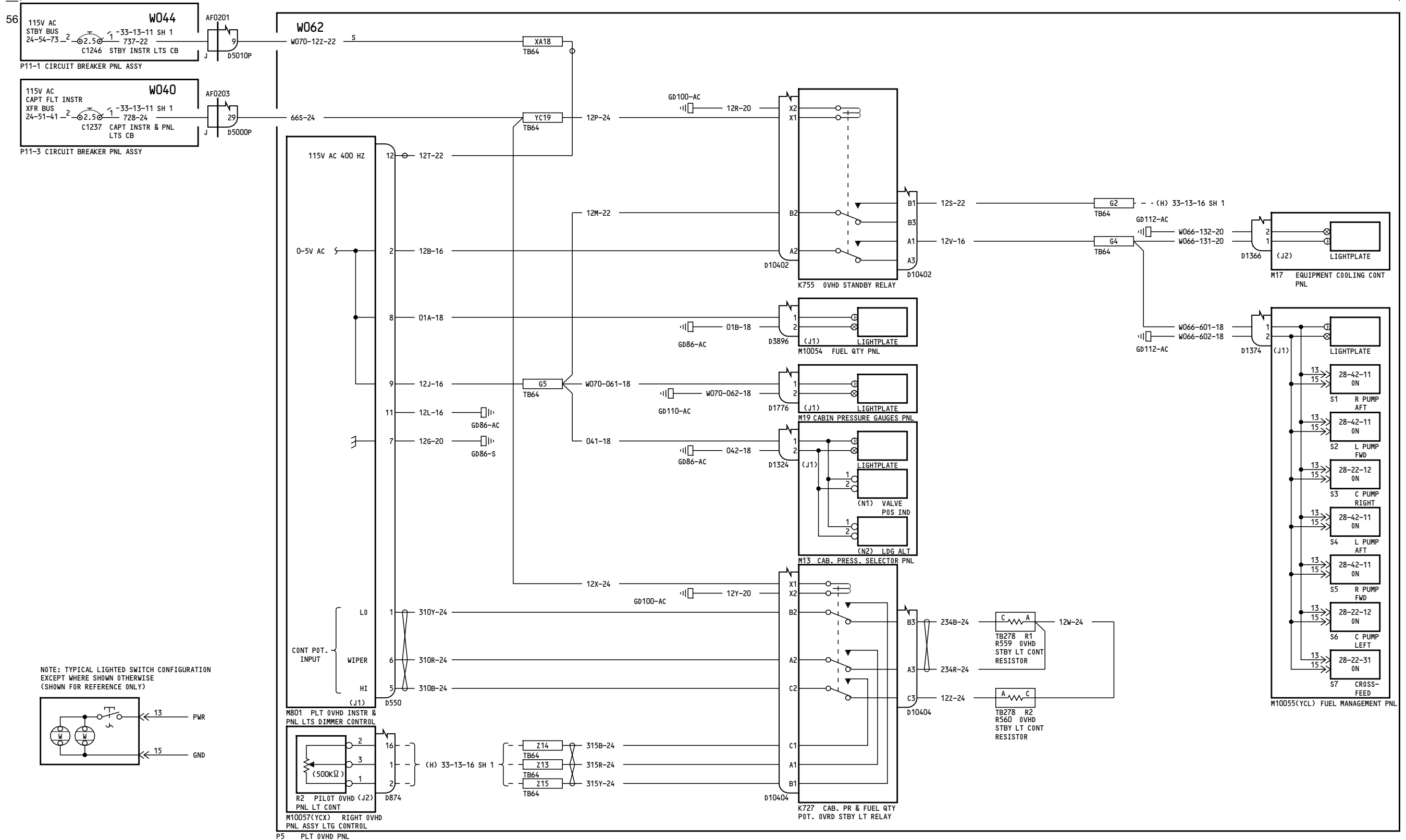
| | |
|----------|---------------------------------------------------------------------------------------|
| 154 | INSTRUMENT & PANEL LIGHTS PILOTS- OVERHEAD PANEL |
| D280T132 | |

33-13-16

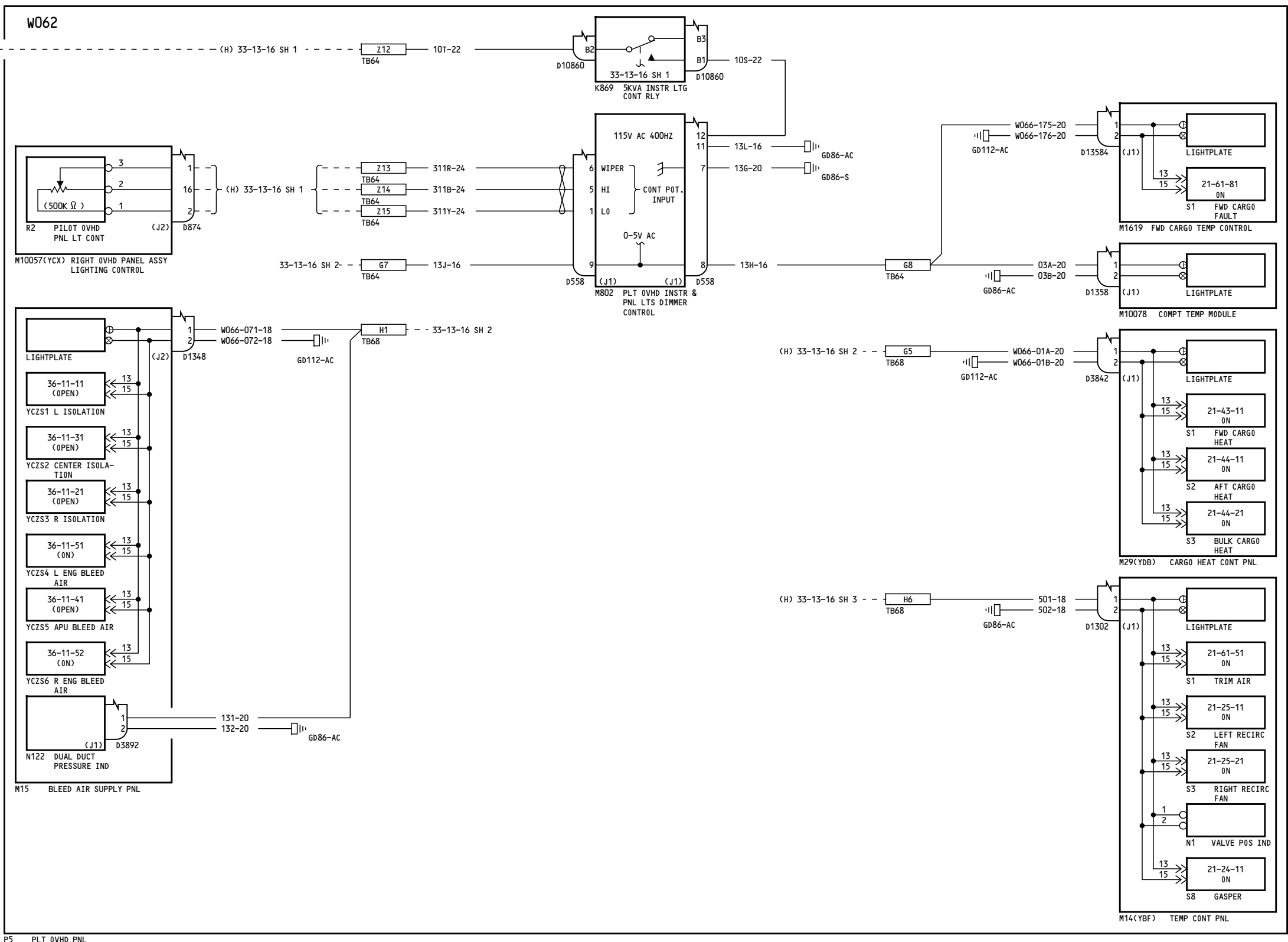
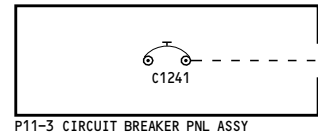
Page 4.1A
 Sheet 3
 Mar 09/2006

33-13-16

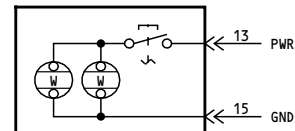
Page 4.1A
 Sheet 3
 Mar 09/2006



56



NOTES:
TYPICAL LIGHTED SWITCH CONFIGURATION EXCEPT WHERE SHOWN OTHERWISE (SHOWN FOR REFERENCE ONLY)



154

**INSTRUMENT & PANEL LIGHTS
PILOTS-
OVERHEAD PANEL**

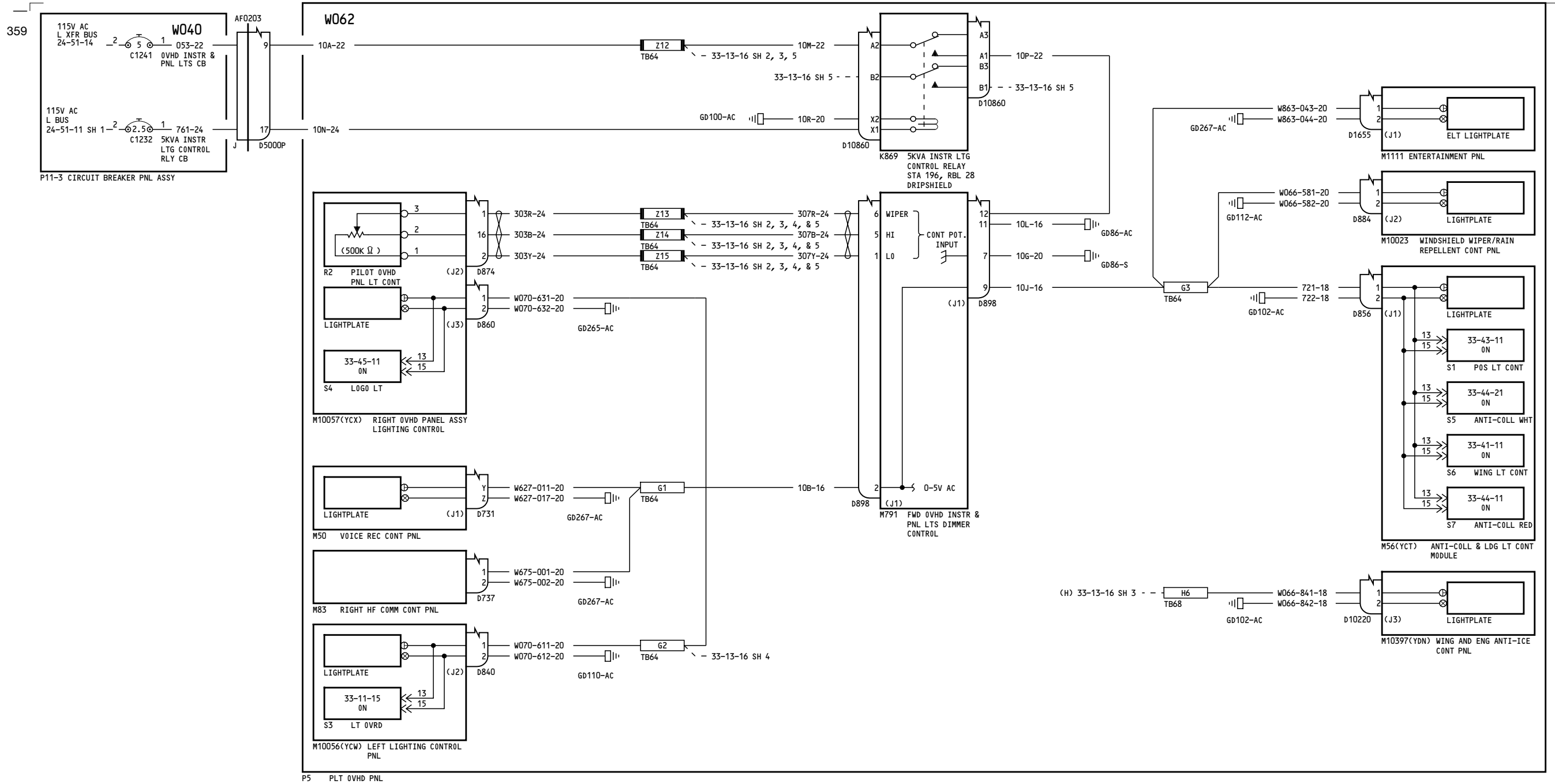
D280T132

33-13-16

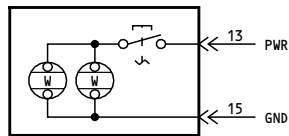
Page 4.1A
Sheet 5
Mar 09/2006

33-13-16

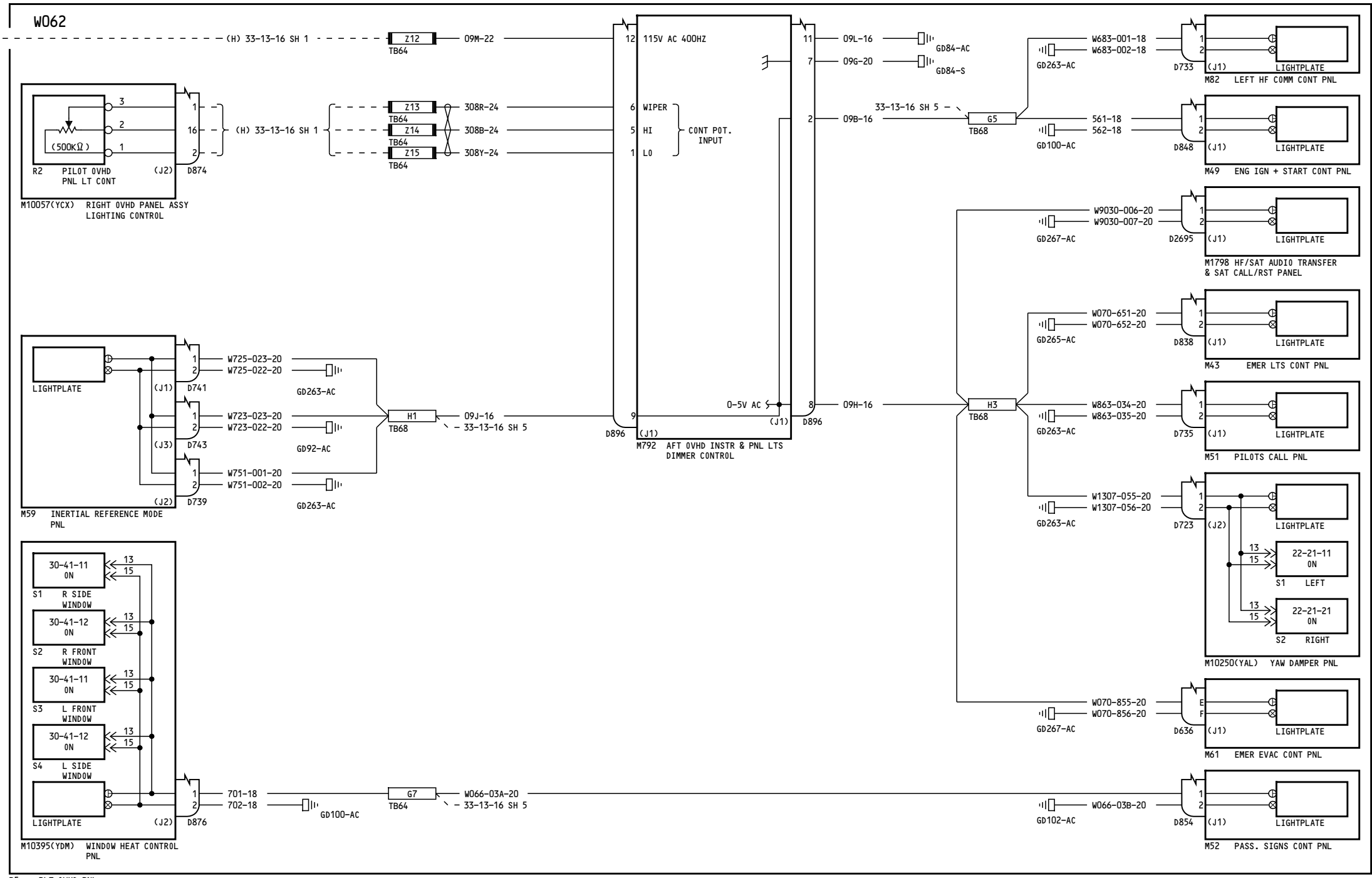
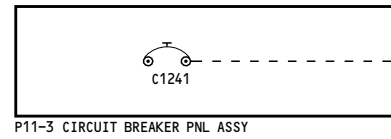
Page 4.1A
Sheet 5
Mar 09/2006



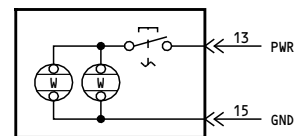
NOTES:
TYPICAL LIGHTED SWITCH CONFIGURATION EXCEPT WHERE SHOWN OTHERWISE (SHOWN FOR REFERENCE ONLY)



188



NOTES:
TYPICAL LIGHTED SWITCH CONFIGURATION EXCEPT WHERE SHOWN OTHERWISE (SHOWN FOR REFERENCE ONLY)



155

**INSTRUMENT & PANEL LIGHTS
PILOTS-
OVERHEAD PANEL**

D280T132

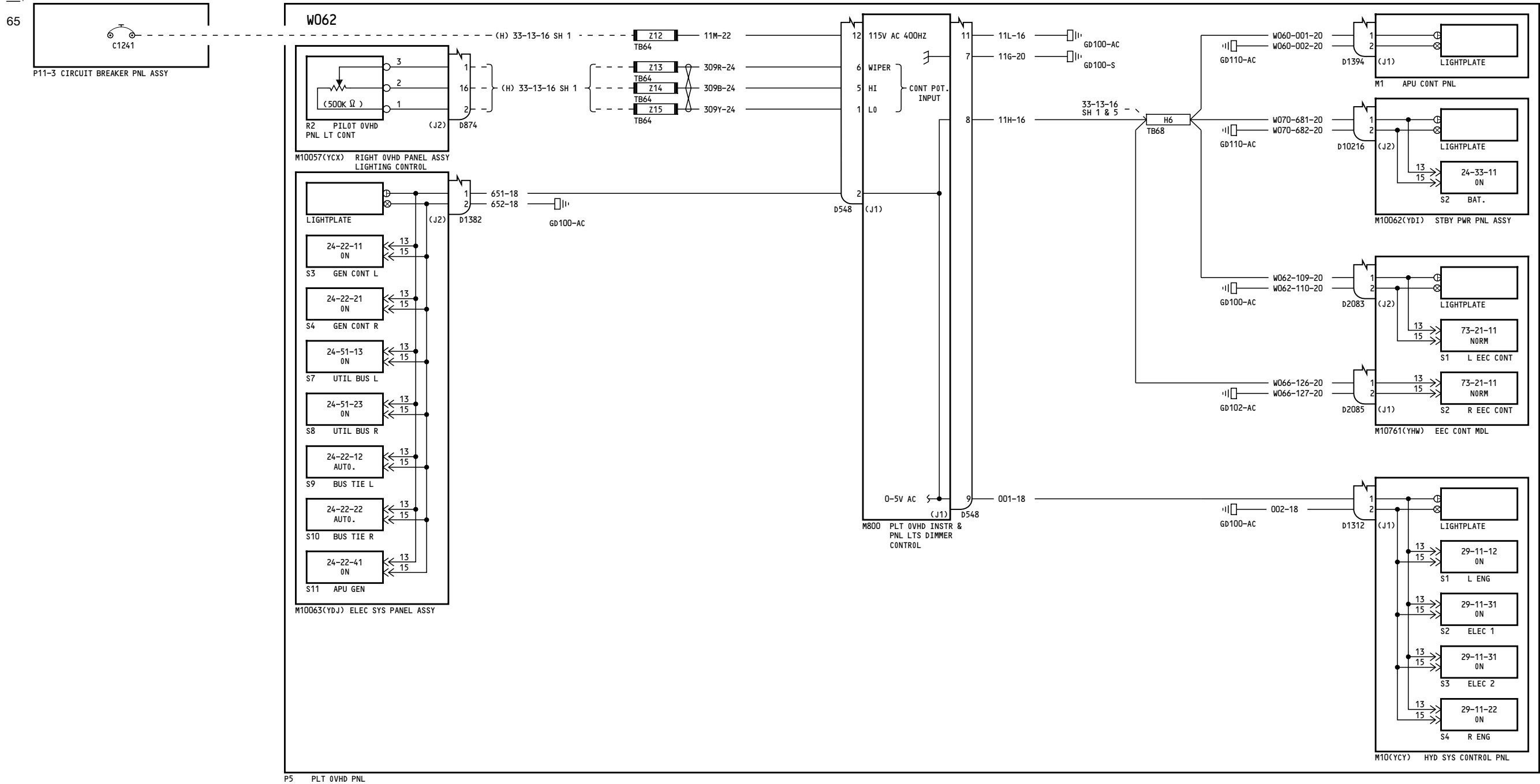
33-13-16

Page 5.1A
Sheet 2
Mar 09/2006

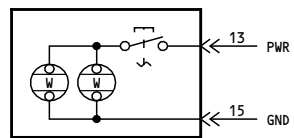
Incorporates
MTO 230593

33-13-16

Page 5.1A
Sheet 2
Mar 09/2006



NOTES:
 TYPICAL LIGHTED SWITCH CONFIGURATION EXCEPT WHERE SHOWN OTHERWISE (SHOWN FOR REFERENCE ONLY)



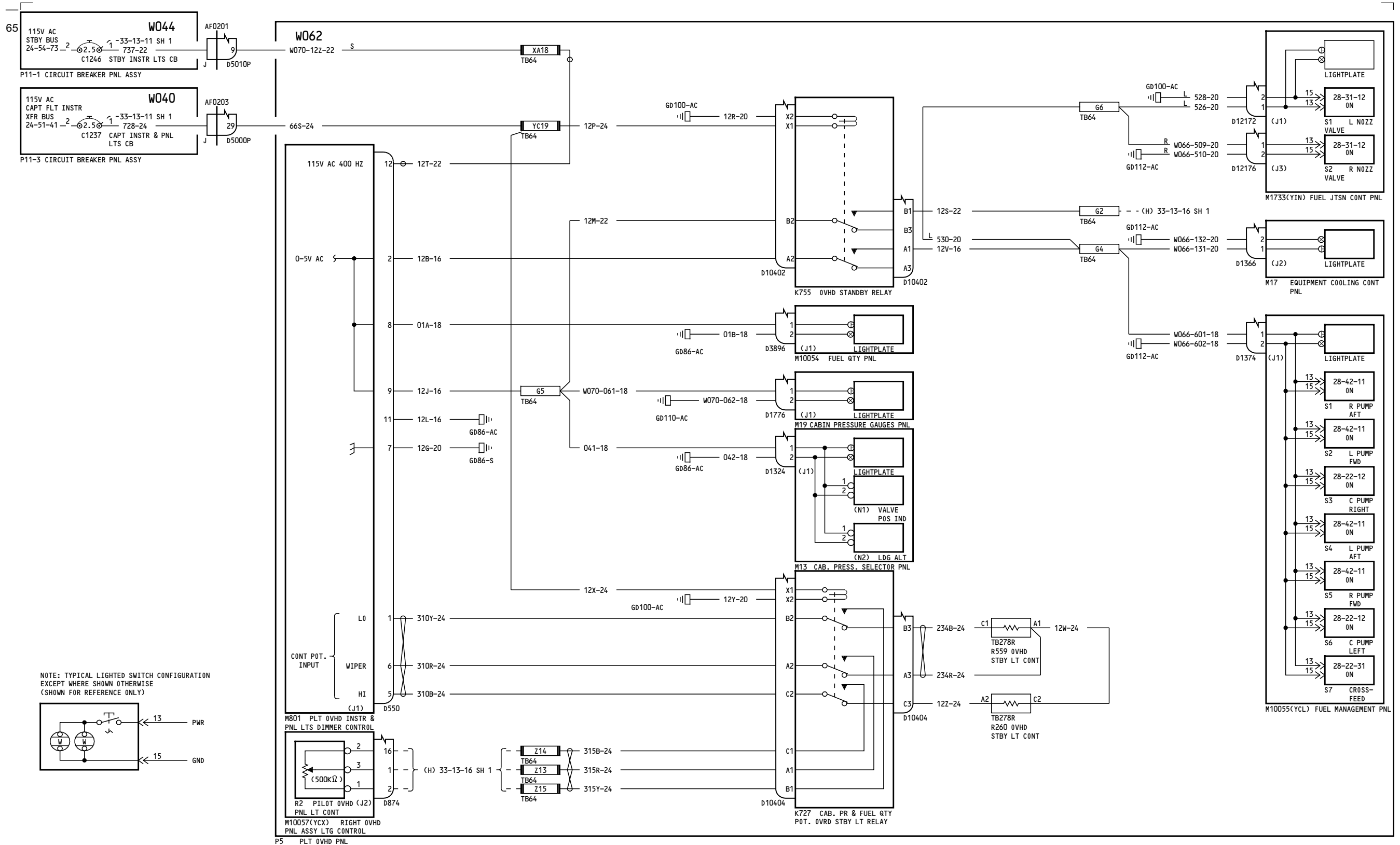
| | |
|----------|---------------------------------------------------------------------------------------|
| 155 | INSTRUMENT & PANEL LIGHTS PILOTS- OVERHEAD PANEL |
| D280T132 | |

33-13-16

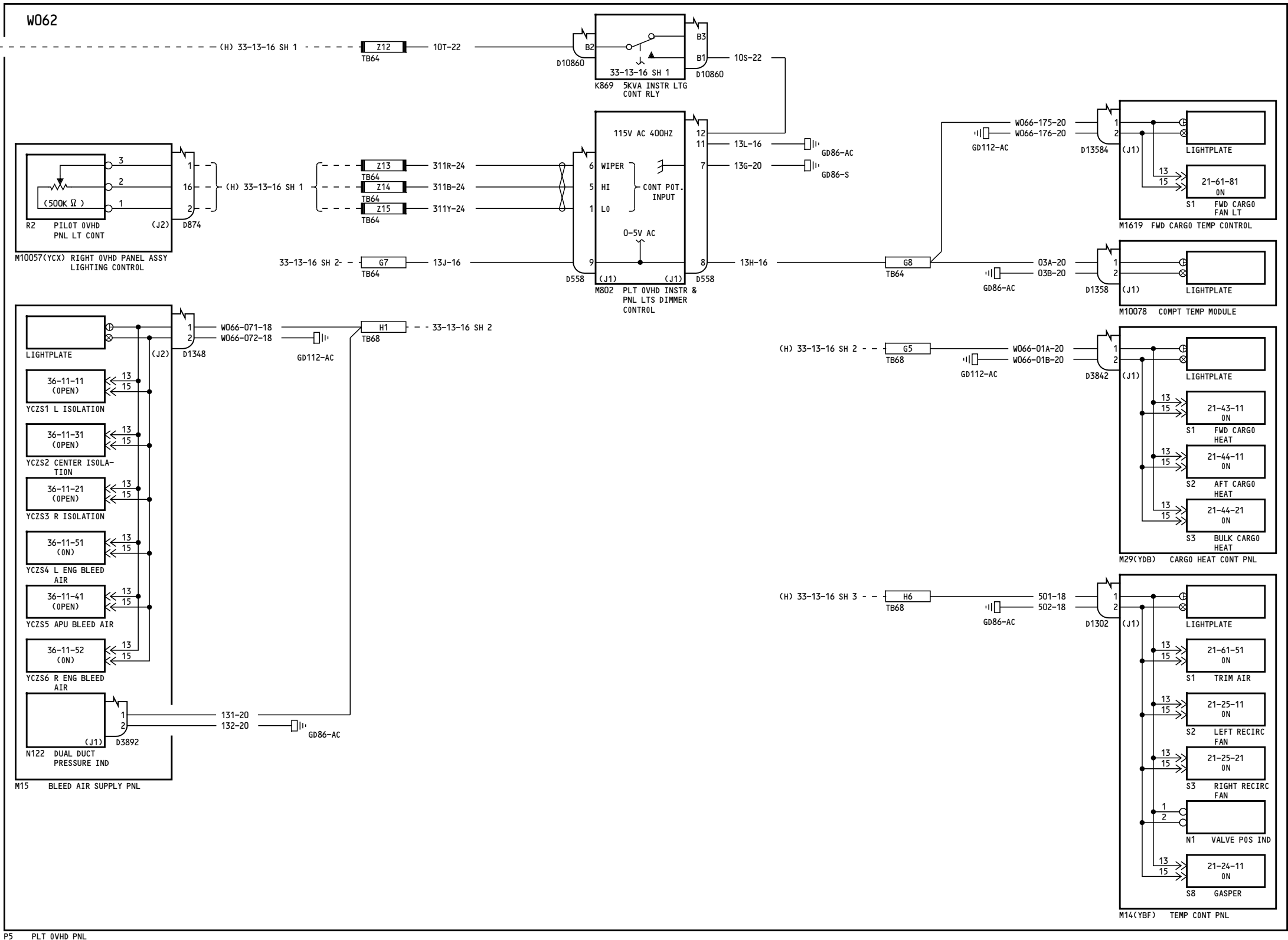
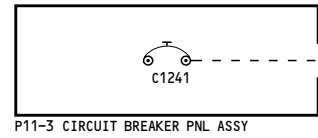
Page 5.1A
 Sheet 3
 Mar 09/2006

33-13-16

Page 5.1A
 Sheet 3
 Mar 09/2006



65



155

**INSTRUMENT & PANEL LIGHTS
PILOTS-
OVERHEAD PANEL**

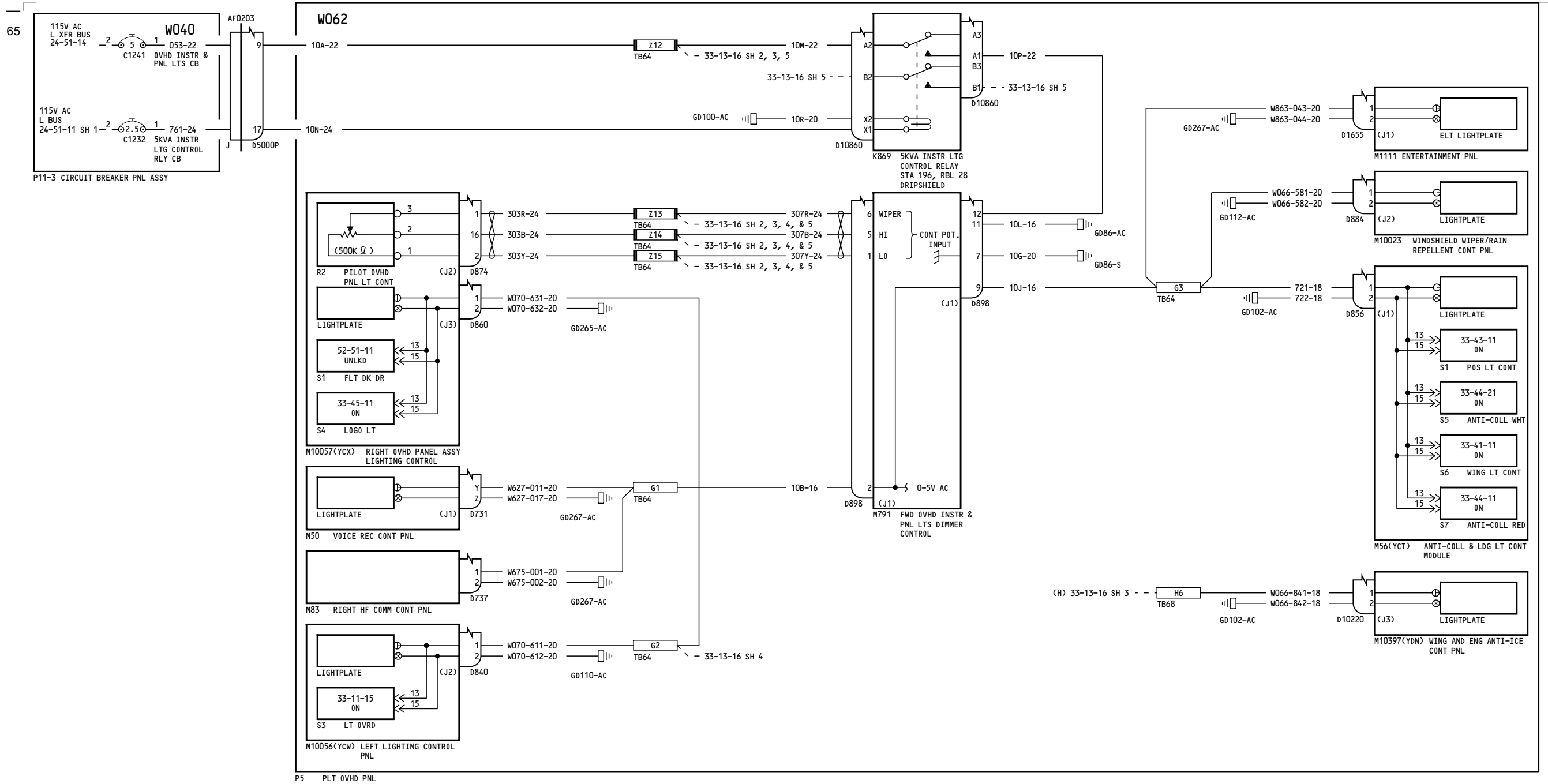
33-13-16

Page 5.1A
Sheet 5
Mar 09/2006

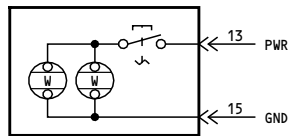
D280T132

33-13-16

Page 5.1A
Sheet 5
Mar 09/2006



NOTES:
 TYPICAL LIGHTED SWITCH CONFIGURATION EXCEPT WHERE SHOWN OTHERWISE (SHOWN FOR REFERENCE ONLY)



156, 166-167

**INSTRUMENT & PANEL LIGHTS
 PILOTS-
 OVERHEAD PANEL**

D280T132

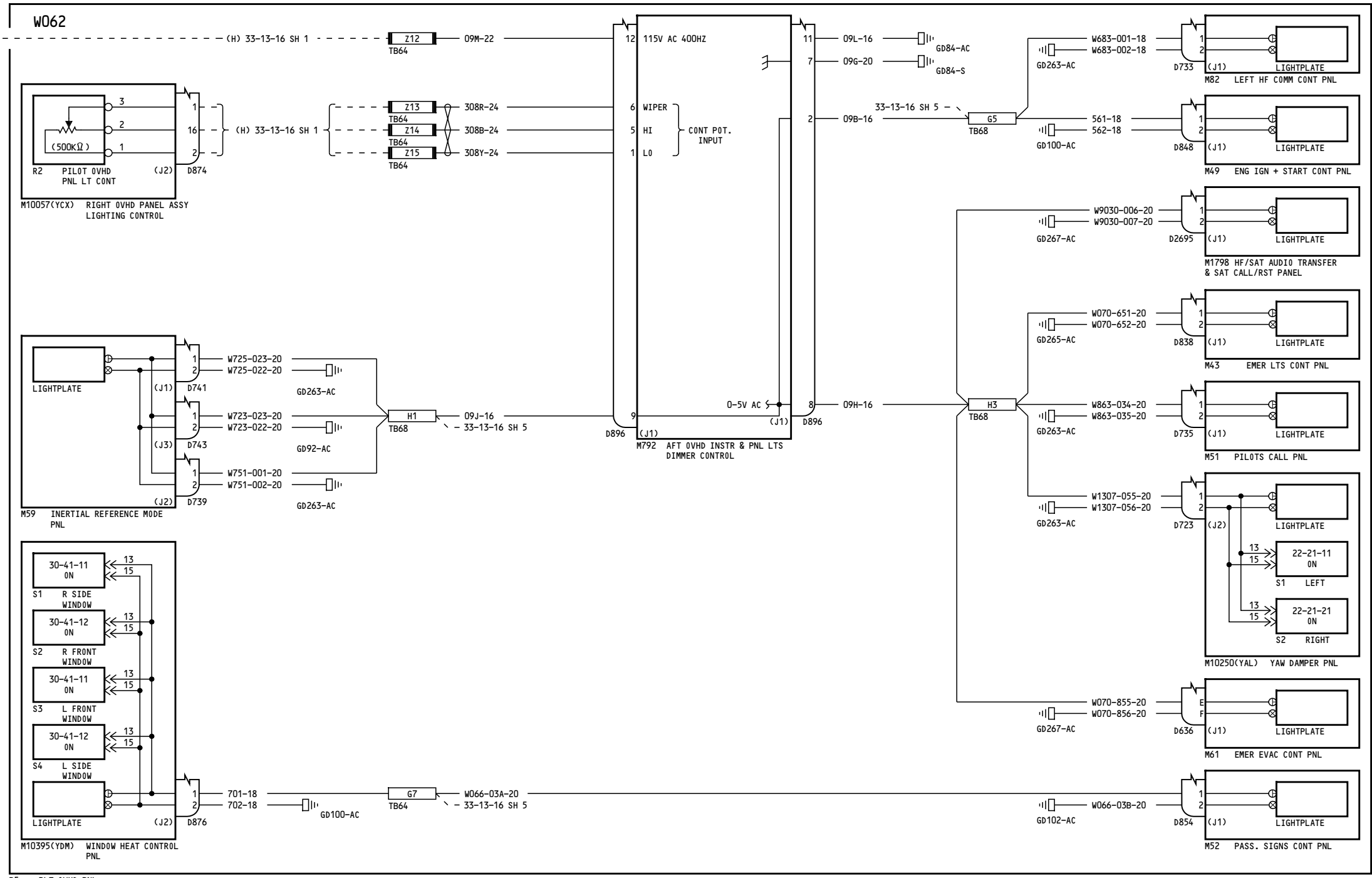
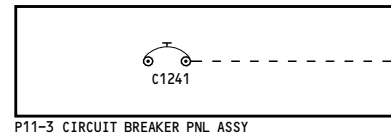
33-13-16

Page 6A
 Sheet 1
 Mar 09/2006

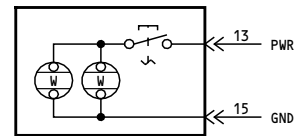
33-13-16

Page 6A
 Sheet 1
 Mar 09/2006

188



NOTES:
TYPICAL LIGHTED SWITCH CONFIGURATION EXCEPT WHERE SHOWN OTHERWISE (SHOWN FOR REFERENCE ONLY)



156, 166-167

**INSTRUMENT & PANEL LIGHTS
PILOTS-
OVERHEAD PANEL**

D280T132

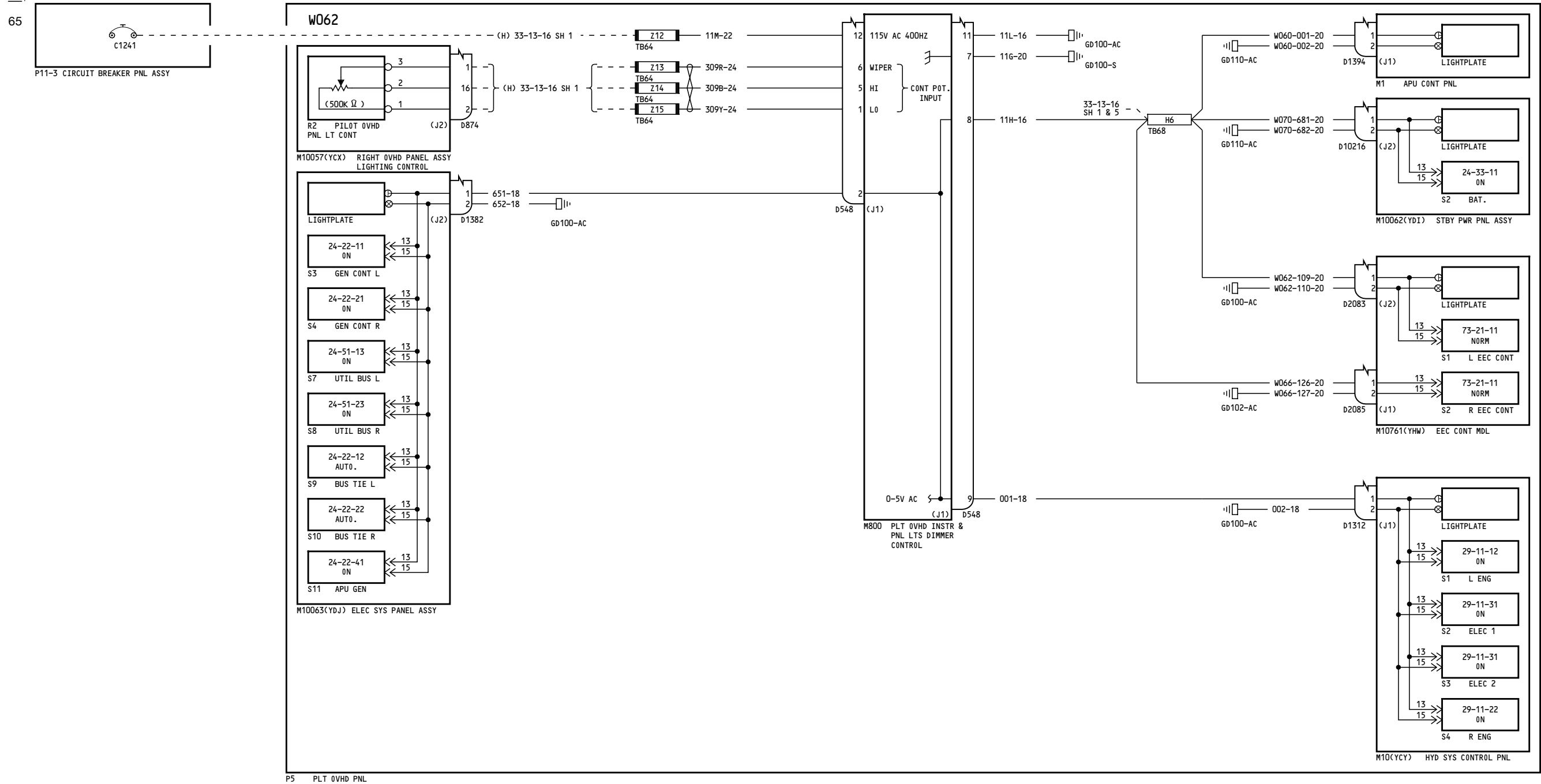
33-13-16

Page 6A
Sheet 2
Mar 09/2006

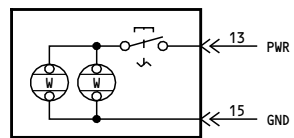
Incorporates
MTO 230591

33-13-16

Page 6A
Sheet 2
Mar 09/2006



NOTES:
 TYPICAL LIGHTED SWITCH CONFIGURATION EXCEPT WHERE SHOWN OTHERWISE (SHOWN FOR REFERENCE ONLY)



156, 166-167

**INSTRUMENT & PANEL LIGHTS
 PILOTS-
 OVERHEAD PANEL**

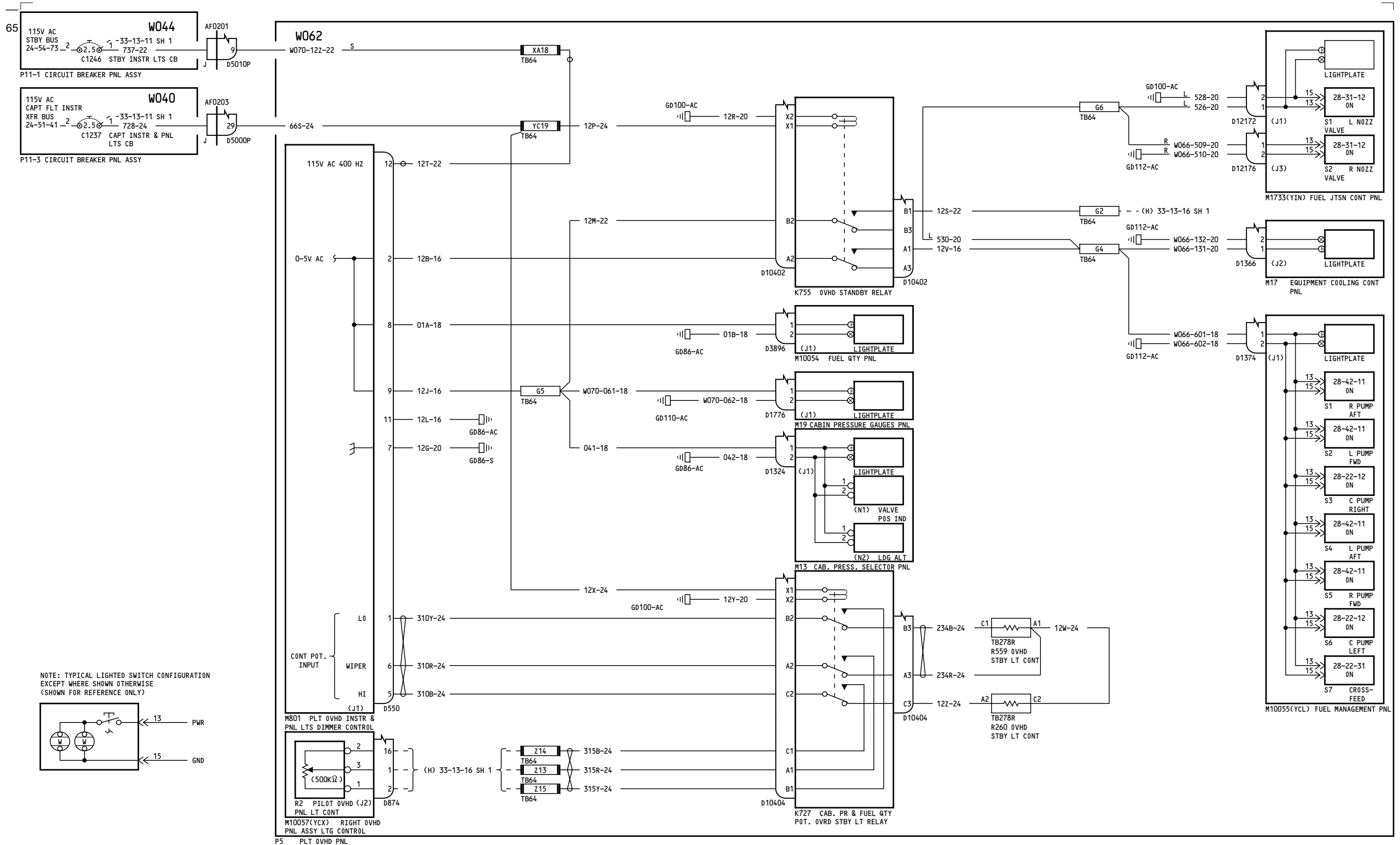
D280T132

33-13-16

Page 6A
 Sheet 3
 Mar 09/2006

33-13-16

Page 6A
 Sheet 3
 Mar 09/2006



156, 166-167

**INSTRUMENT & PANEL LIGHTS
PILOTS-
OVERHEAD PANEL**

D280T132

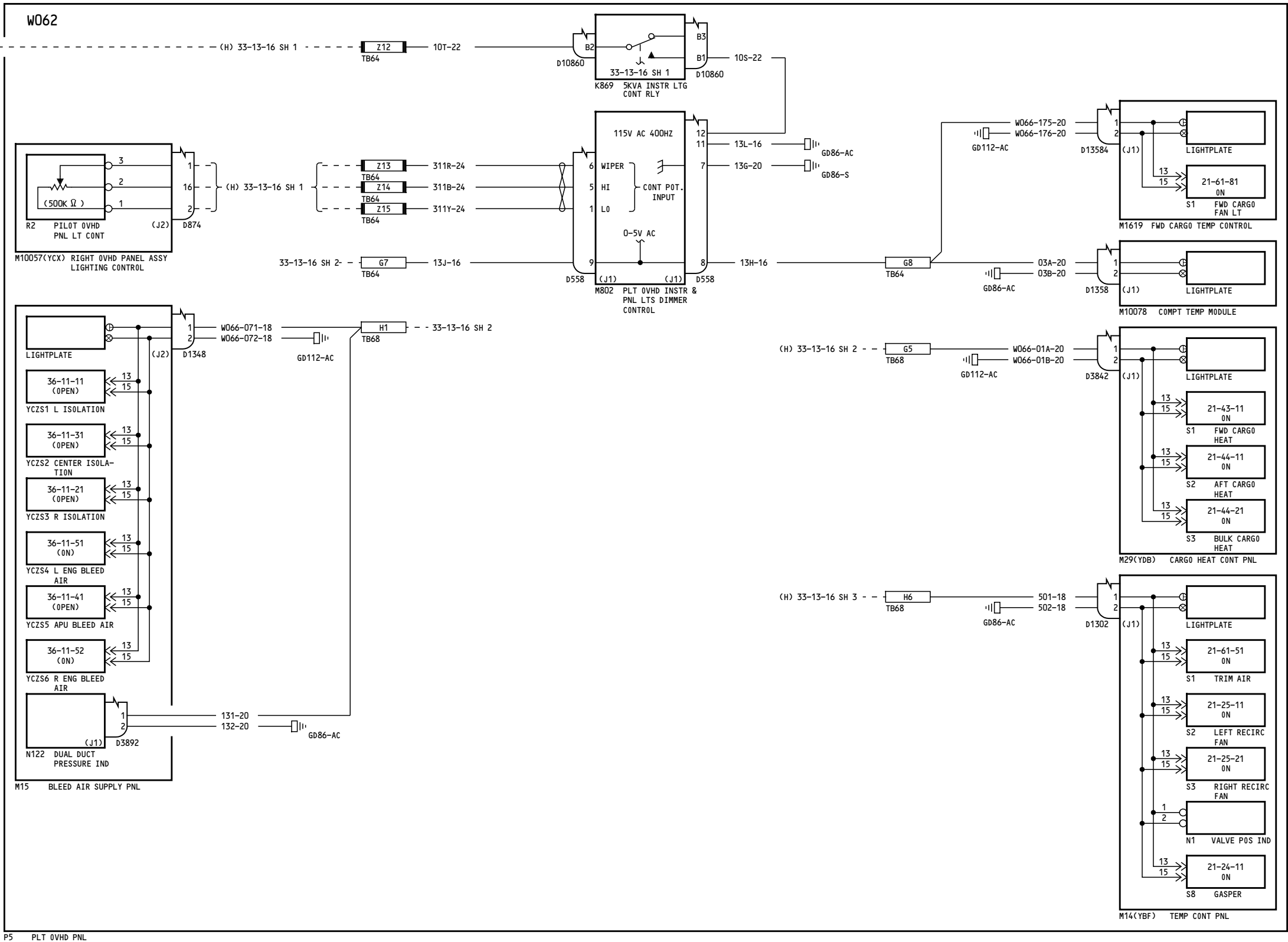
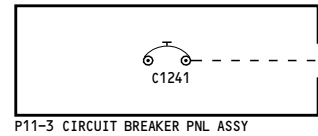
33-13-16

Page 6A
Sheet 4
Mar 09/2006

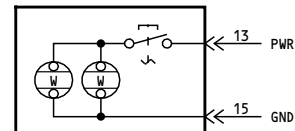
33-13-16

Page 6A
Sheet 4
Mar 09/2006

65



NOTES:
TYPICAL LIGHTED SWITCH CONFIGURATION EXCEPT WHERE SHOWN OTHERWISE (SHOWN FOR REFERENCE ONLY)



P5 PLT OVHD PNL

156, 166-167

**INSTRUMENT & PANEL LIGHTS
PILOTS-
OVERHEAD PANEL**

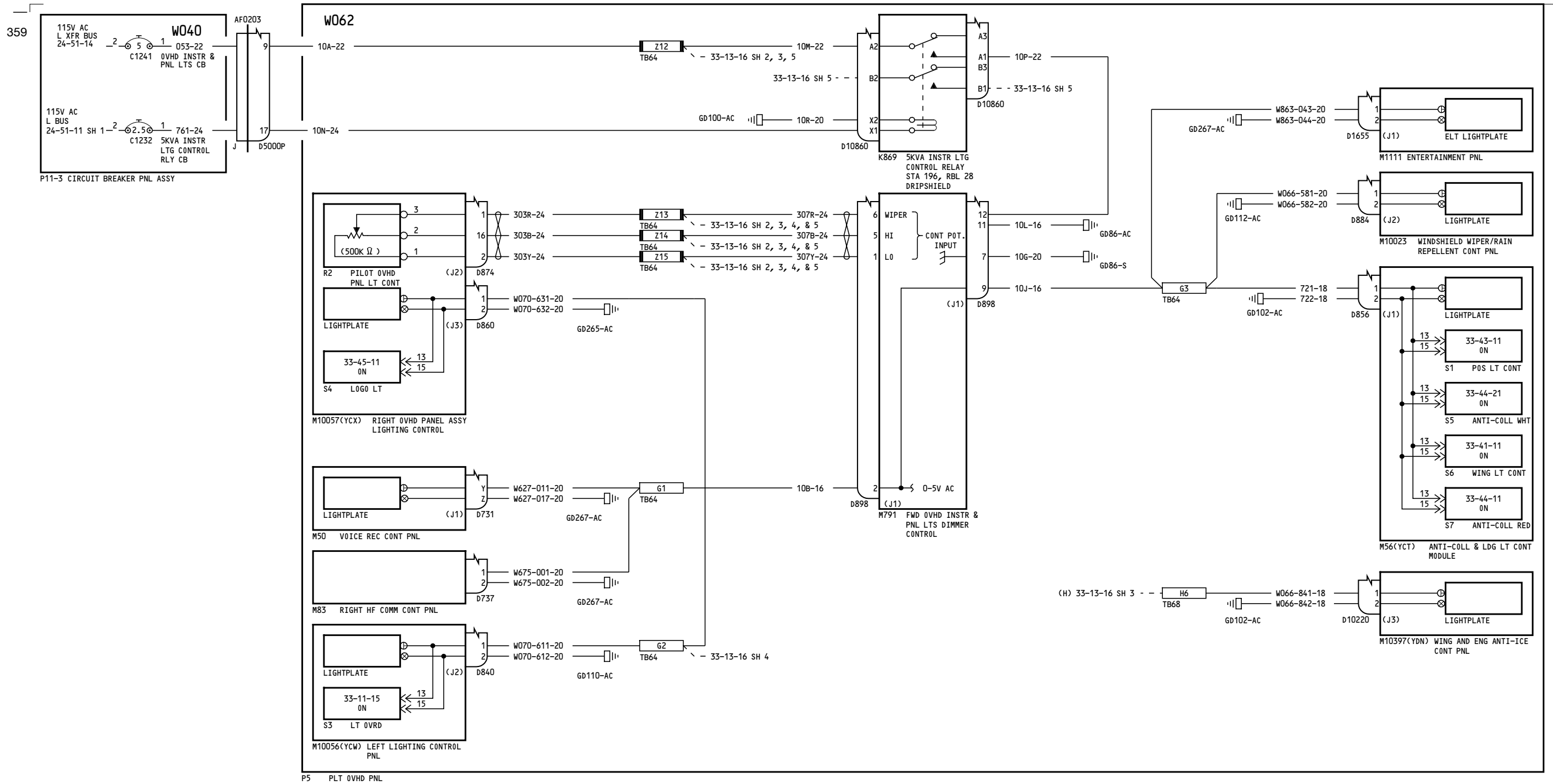
D280T132

33-13-16

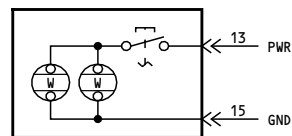
Page 6A
Sheet 5
Mar 09/2006

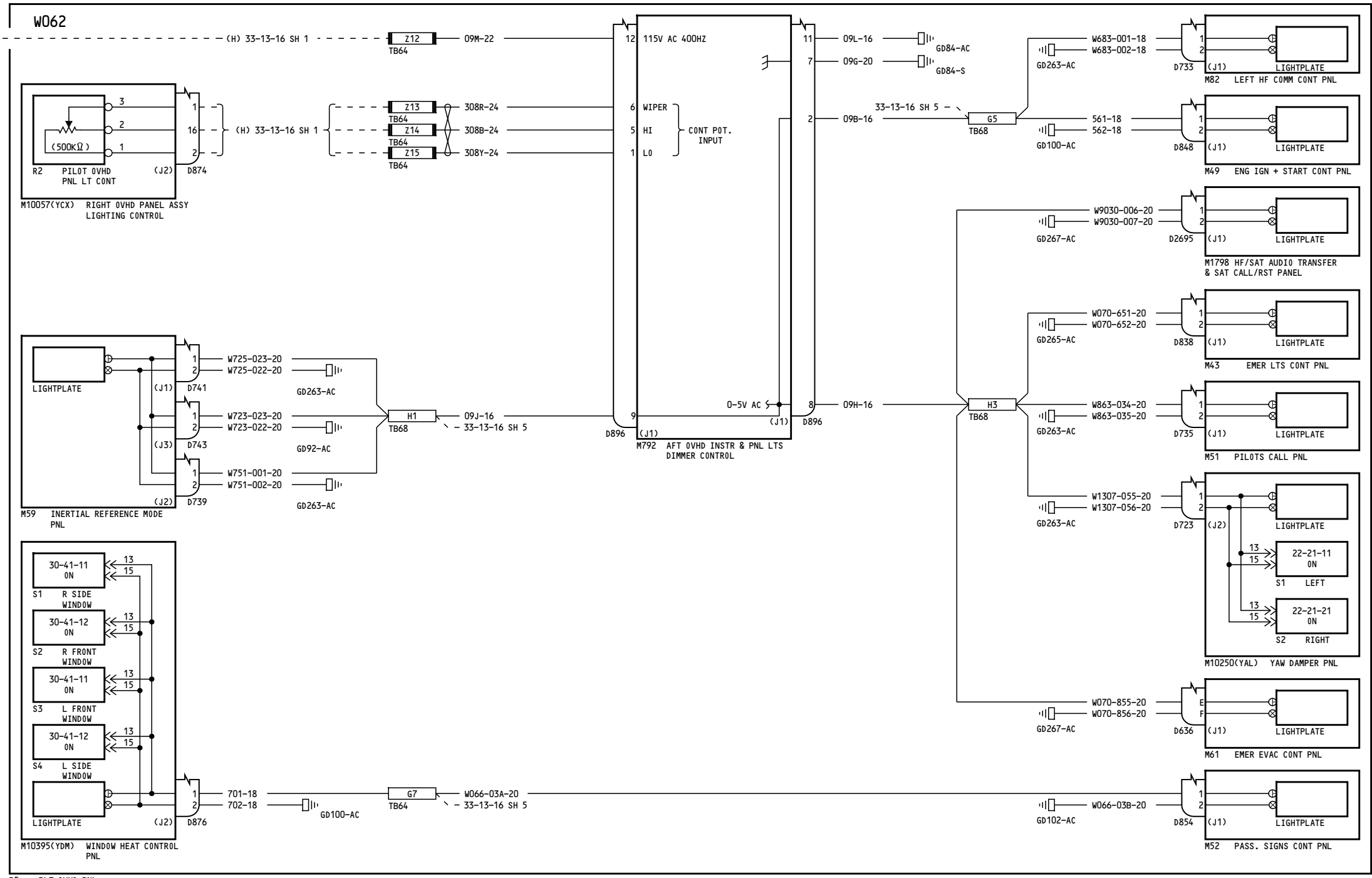
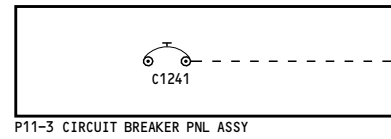
33-13-16

Page 6A
Sheet 5
Mar 09/2006

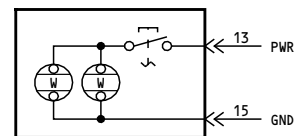


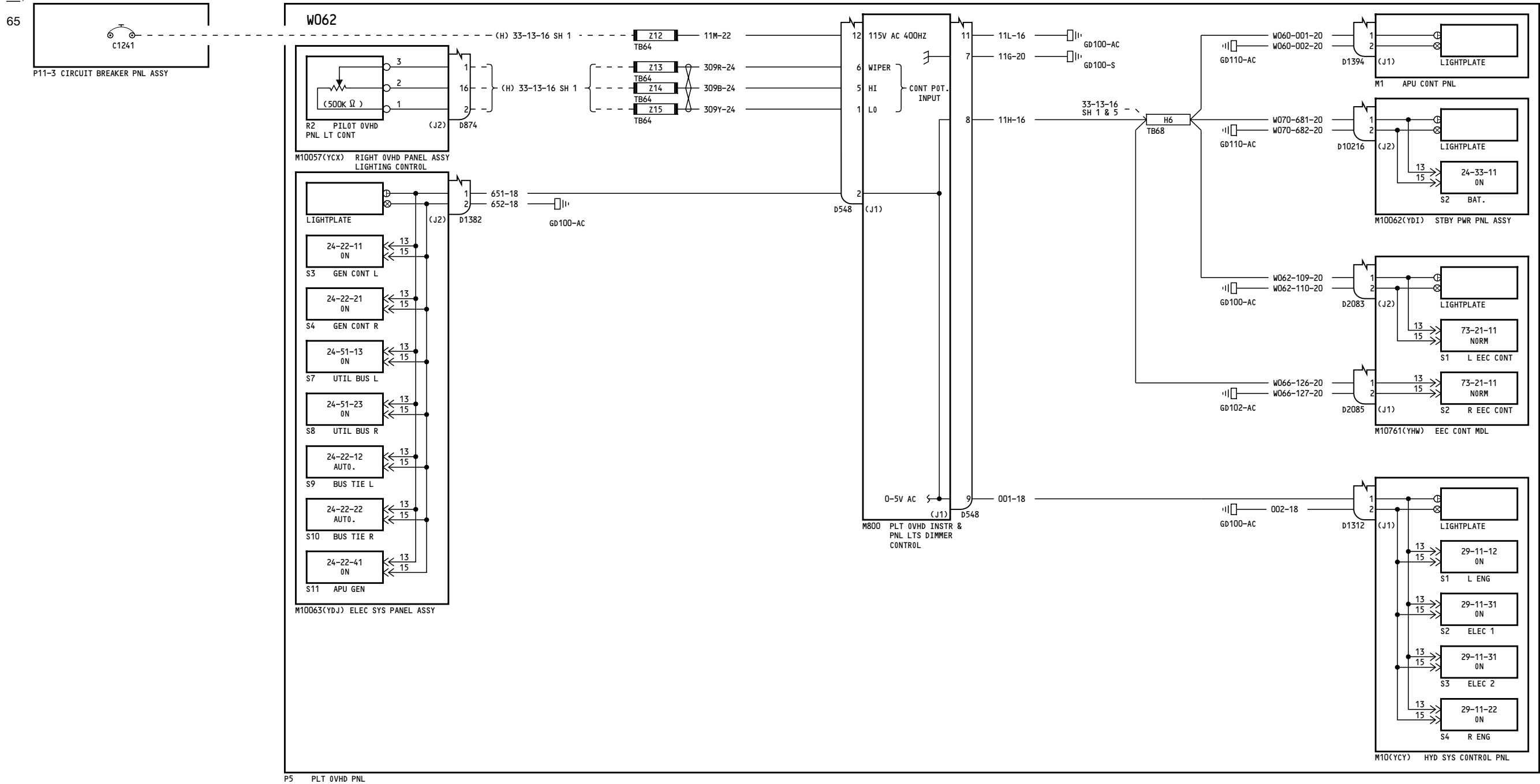
NOTES:
TYPICAL LIGHTED SWITCH CONFIGURATION EXCEPT WHERE SHOWN OTHERWISE (SHOWN FOR REFERENCE ONLY)



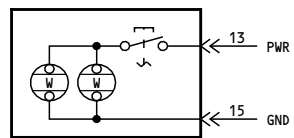


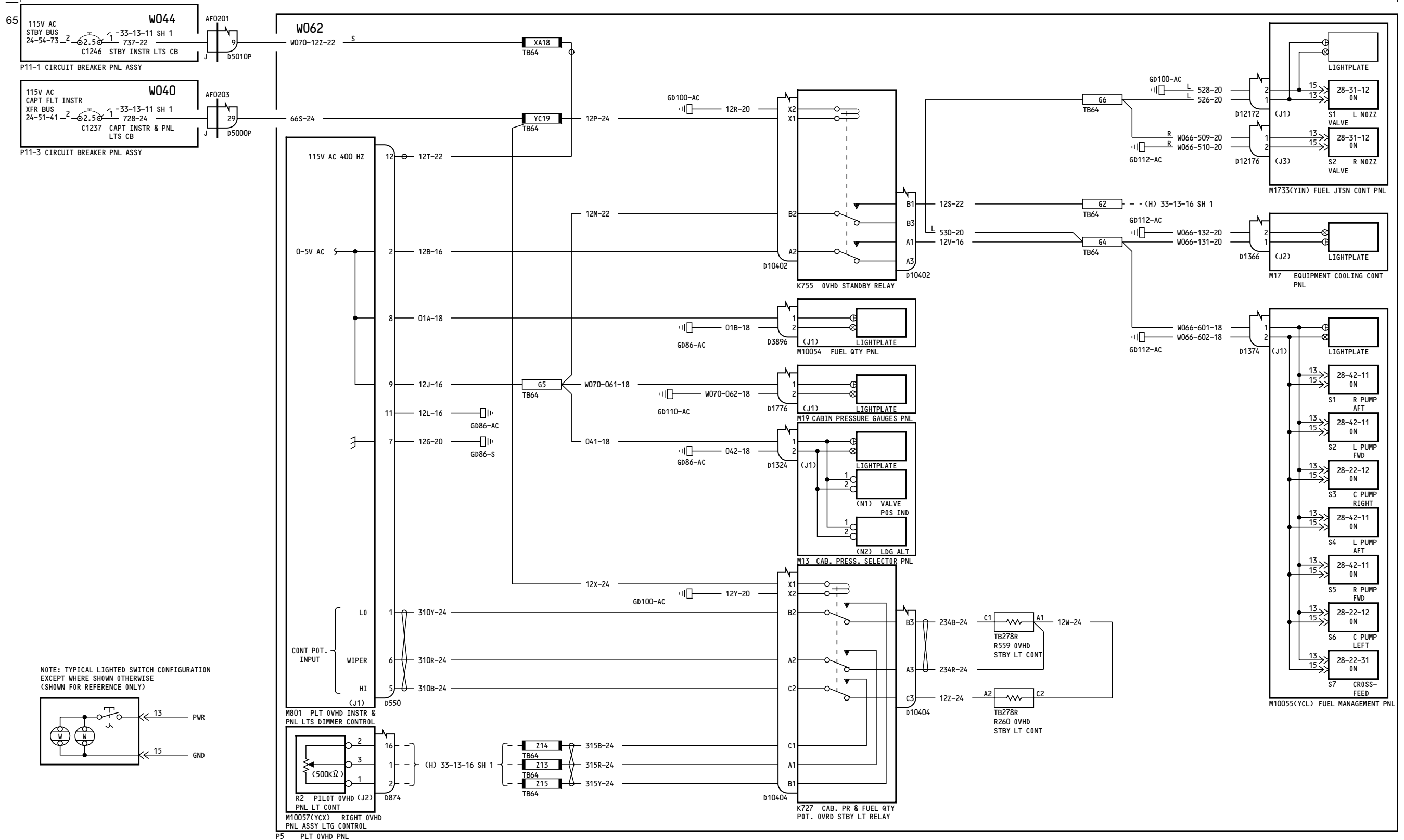
NOTES:
TYPICAL LIGHTED SWITCH CONFIGURATION EXCEPT WHERE SHOWN OTHERWISE (SHOWN FOR REFERENCE ONLY)



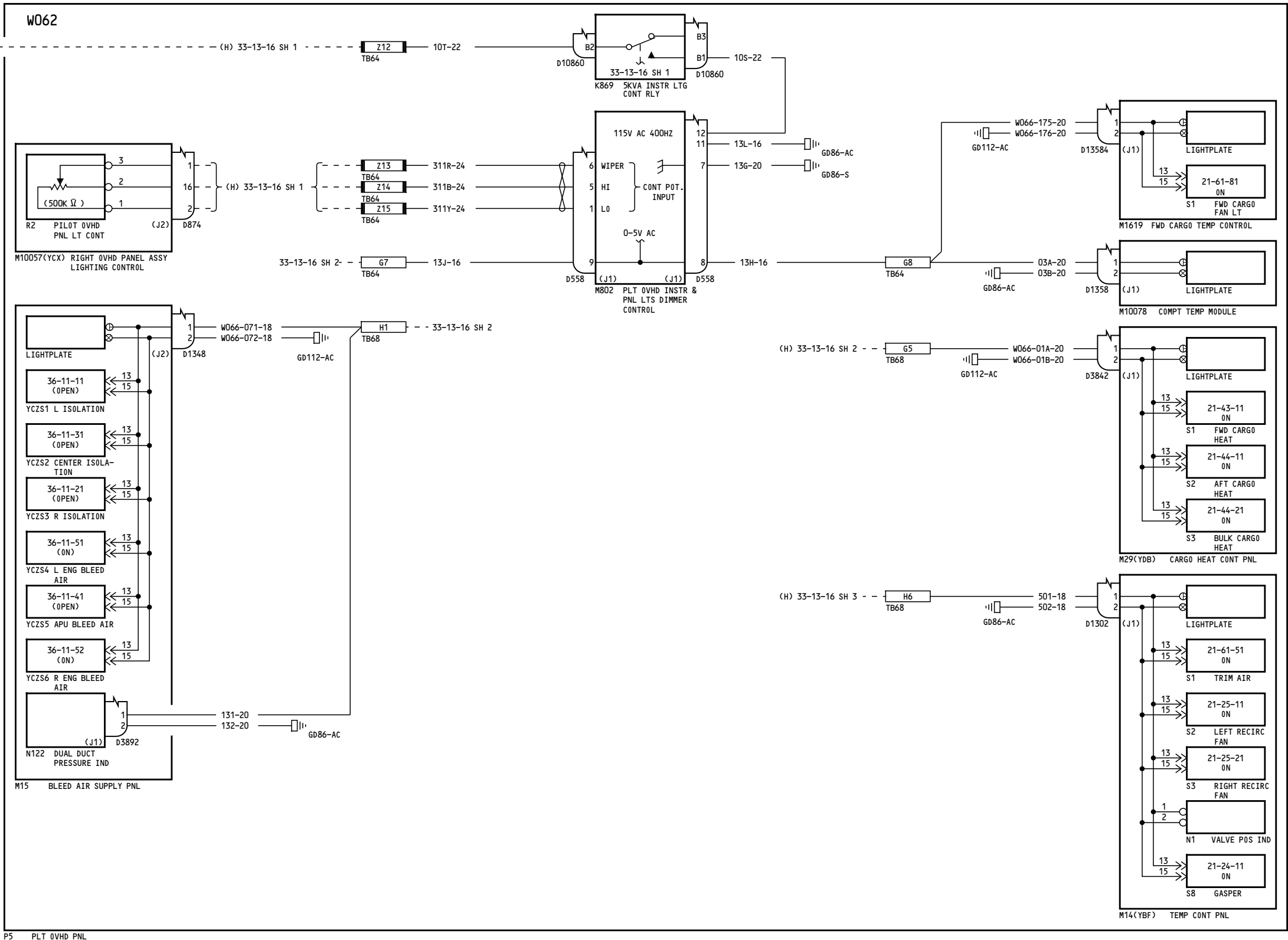
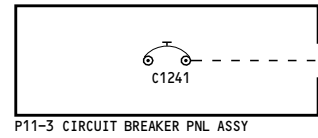


NOTES:
TYPICAL LIGHTED SWITCH CONFIGURATION EXCEPT WHERE SHOWN OTHERWISE (SHOWN FOR REFERENCE ONLY)

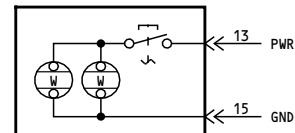




65



NOTES:
TYPICAL LIGHTED SWITCH CONFIGURATION EXCEPT WHERE SHOWN OTHERWISE (SHOWN FOR REFERENCE ONLY)



156

**INSTRUMENT & PANEL LIGHTS
PILOTS-
OVERHEAD PANEL**

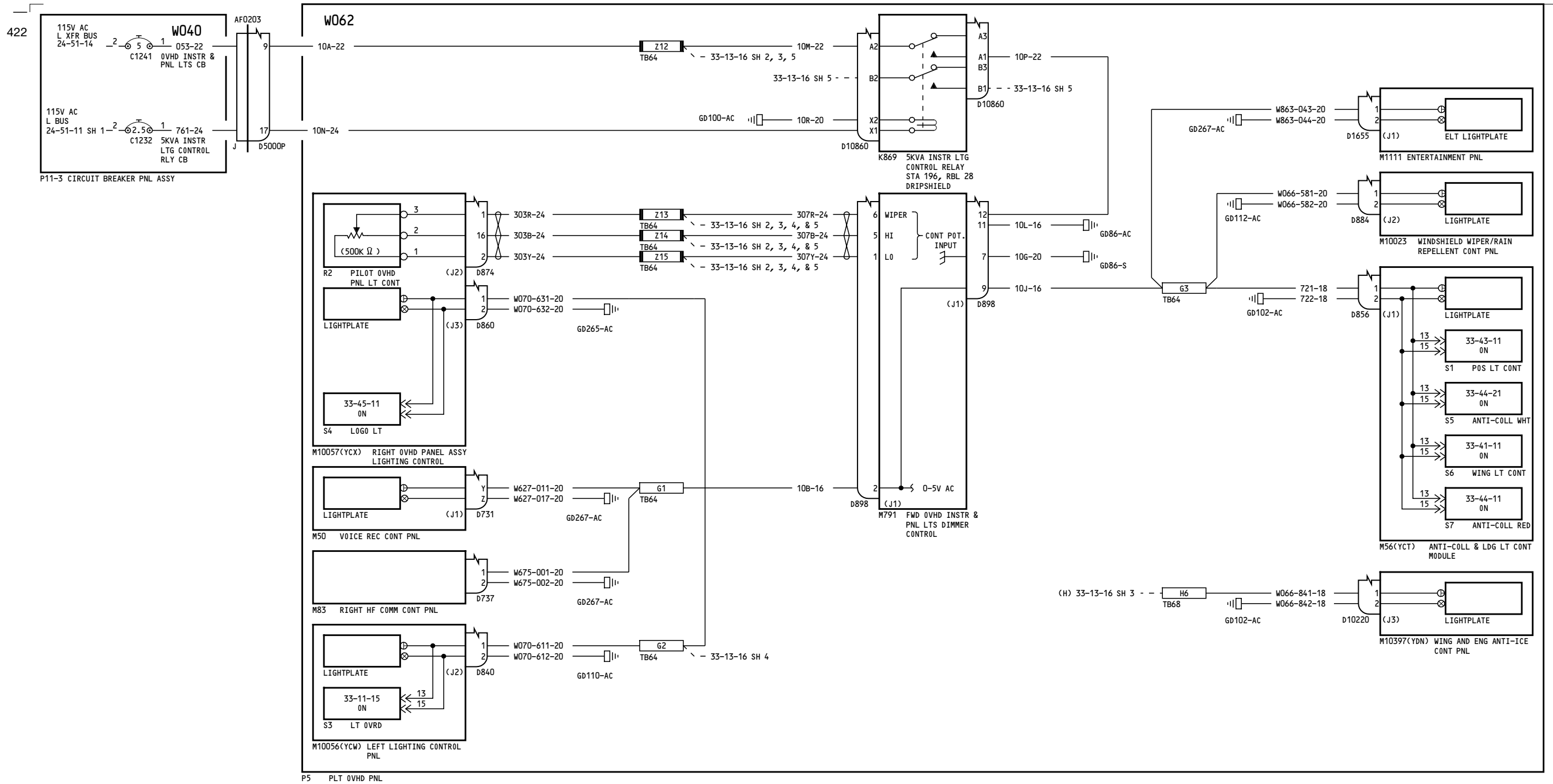
D280T132

33-13-16

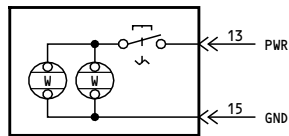
Page 6.1A
Sheet 5
Mar 09/2006

33-13-16

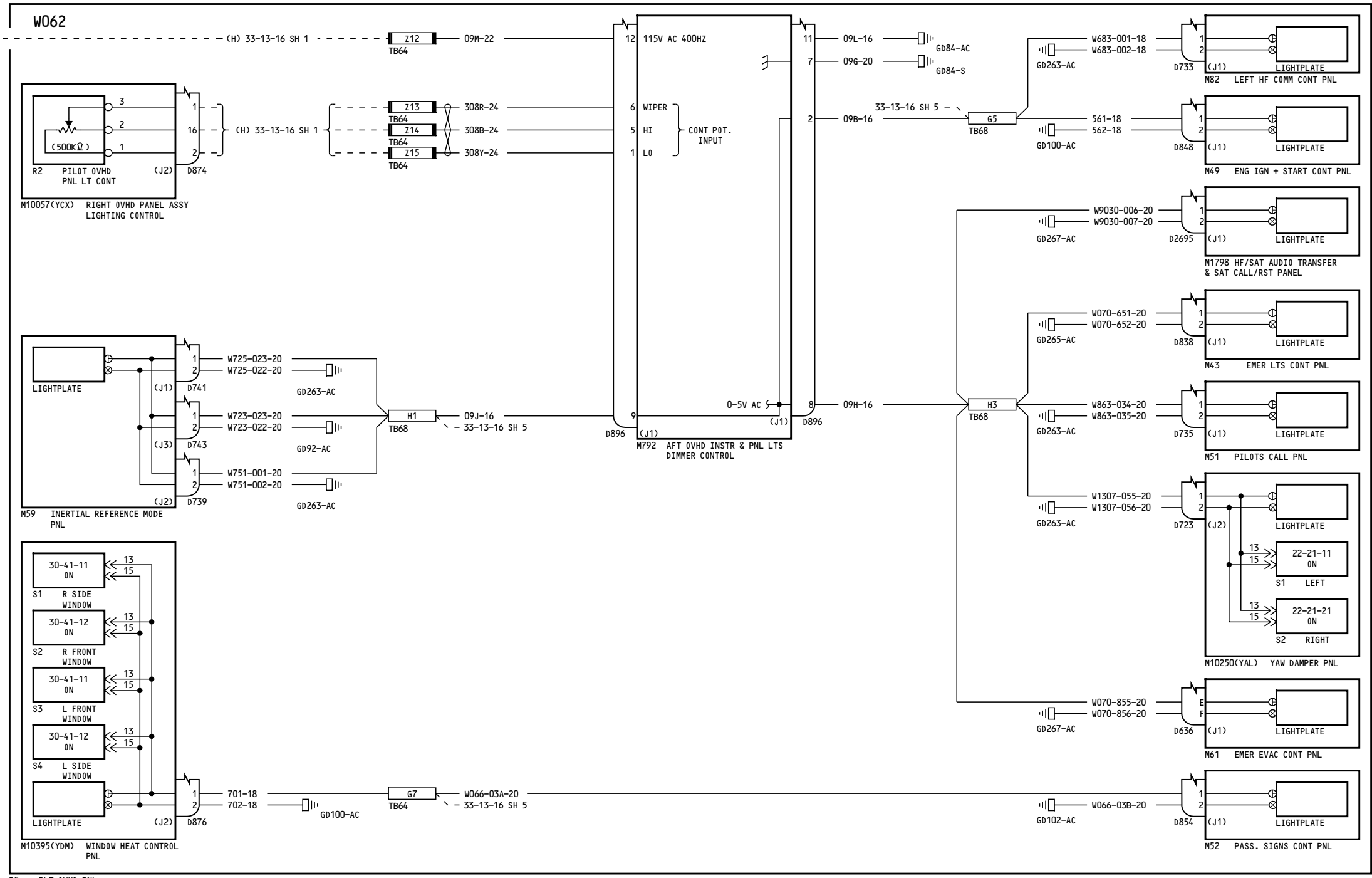
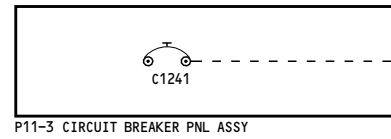
Page 6.1A
Sheet 5
Mar 09/2006



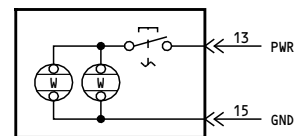
NOTES:
TYPICAL LIGHTED SWITCH CONFIGURATION EXCEPT WHERE SHOWN OTHERWISE (SHOWN FOR REFERENCE ONLY)



188



NOTES:
TYPICAL LIGHTED SWITCH CONFIGURATION EXCEPT WHERE SHOWN OTHERWISE (SHOWN FOR REFERENCE ONLY)



166

**INSTRUMENT & PANEL LIGHTS
PILOTS-
OVERHEAD PANEL**

D280T132

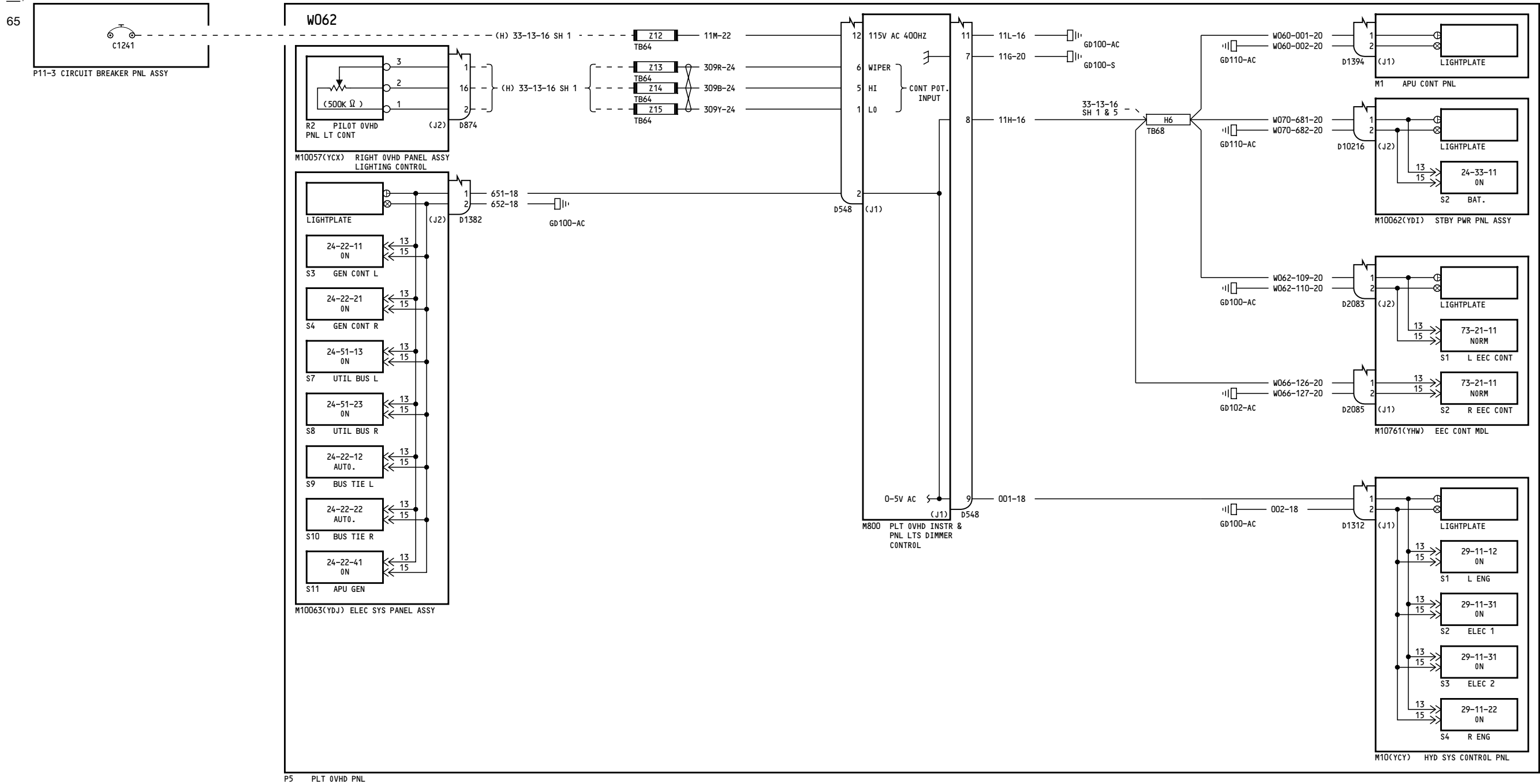
33-13-16

Page 6.2A
Sheet 2
Mar 09/2006

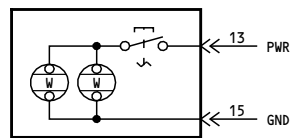
Incorporates
MTO 230591

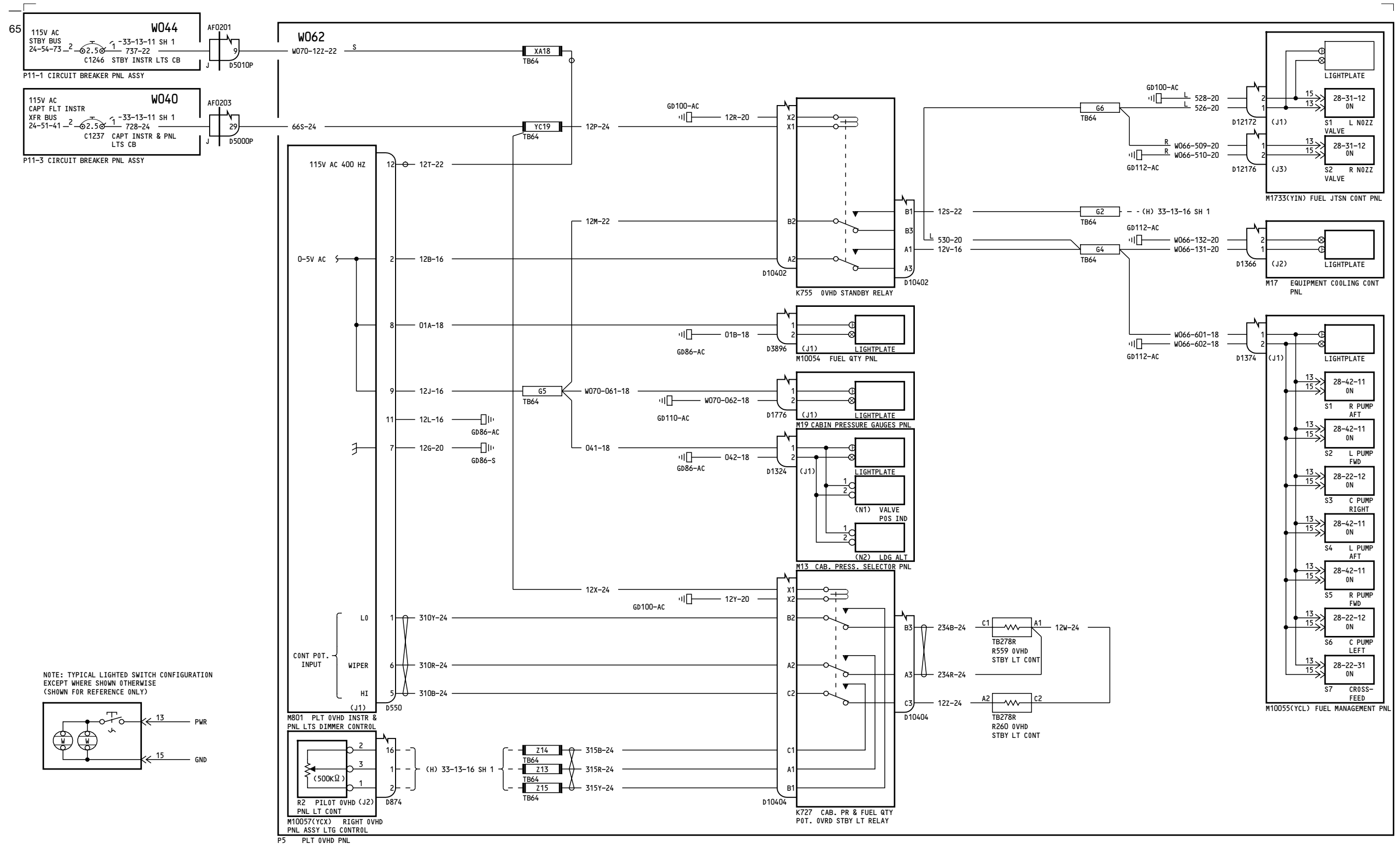
33-13-16

Page 6.2A
Sheet 2
Mar 09/2006

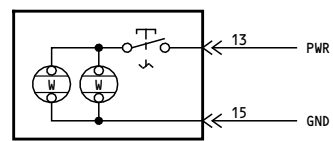


NOTES:
 TYPICAL LIGHTED SWITCH CONFIGURATION EXCEPT WHERE SHOWN OTHERWISE (SHOWN FOR REFERENCE ONLY)

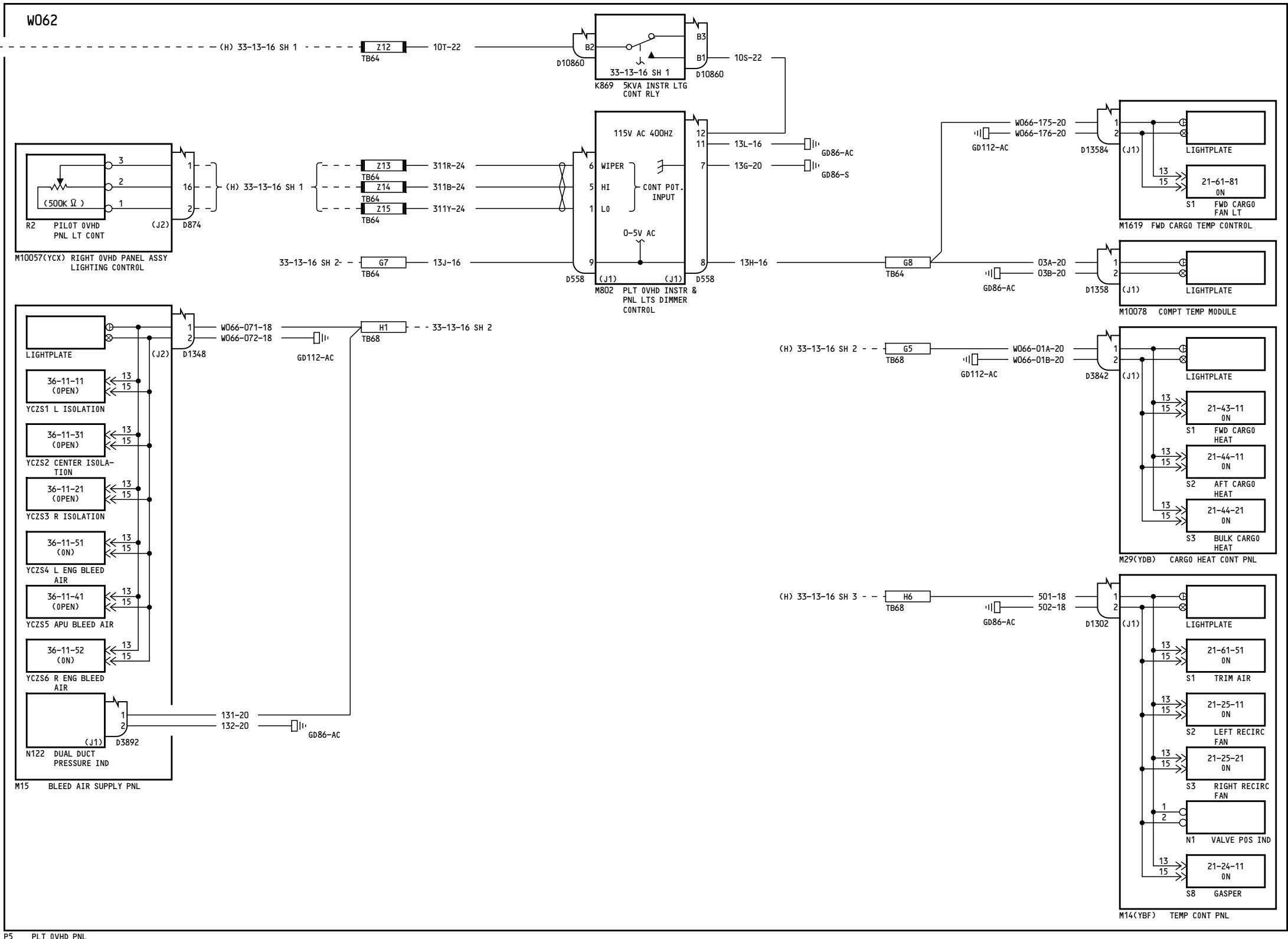
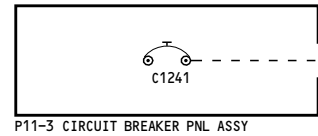




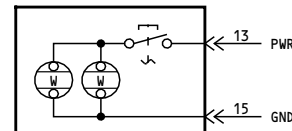
NOTE: TYPICAL LIGHTED SWITCH CONFIGURATION EXCEPT WHERE SHOWN OTHERWISE (SHOWN FOR REFERENCE ONLY)



65



NOTES:
TYPICAL LIGHTED SWITCH CONFIGURATION EXCEPT WHERE SHOWN OTHERWISE (SHOWN FOR REFERENCE ONLY)



166

**INSTRUMENT & PANEL LIGHTS
PILOTS-
OVERHEAD PANEL**

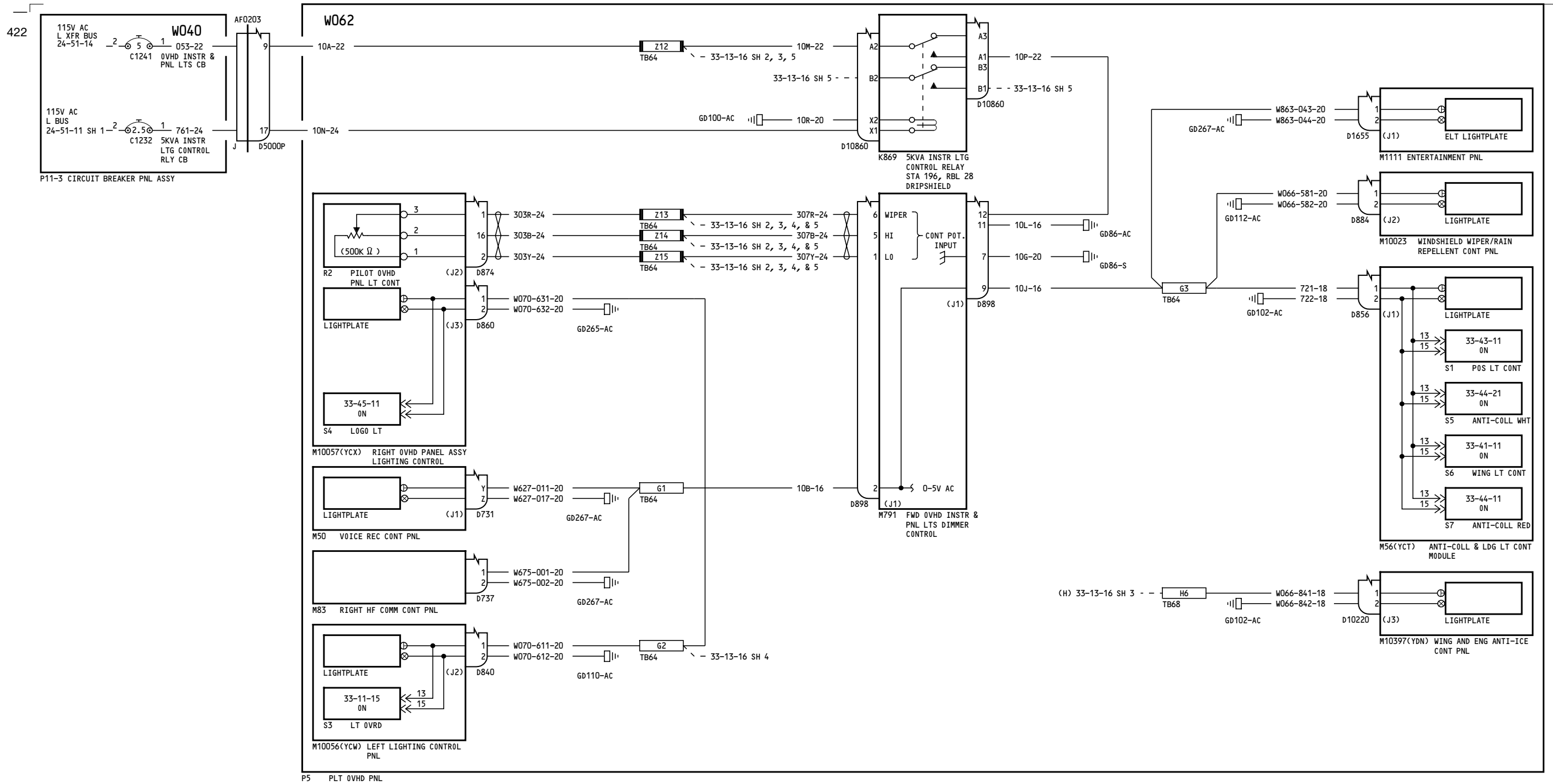
D280T132

33-13-16

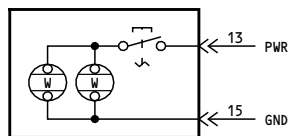
Page 6.2A
Sheet 5
Mar 09/2006

33-13-16

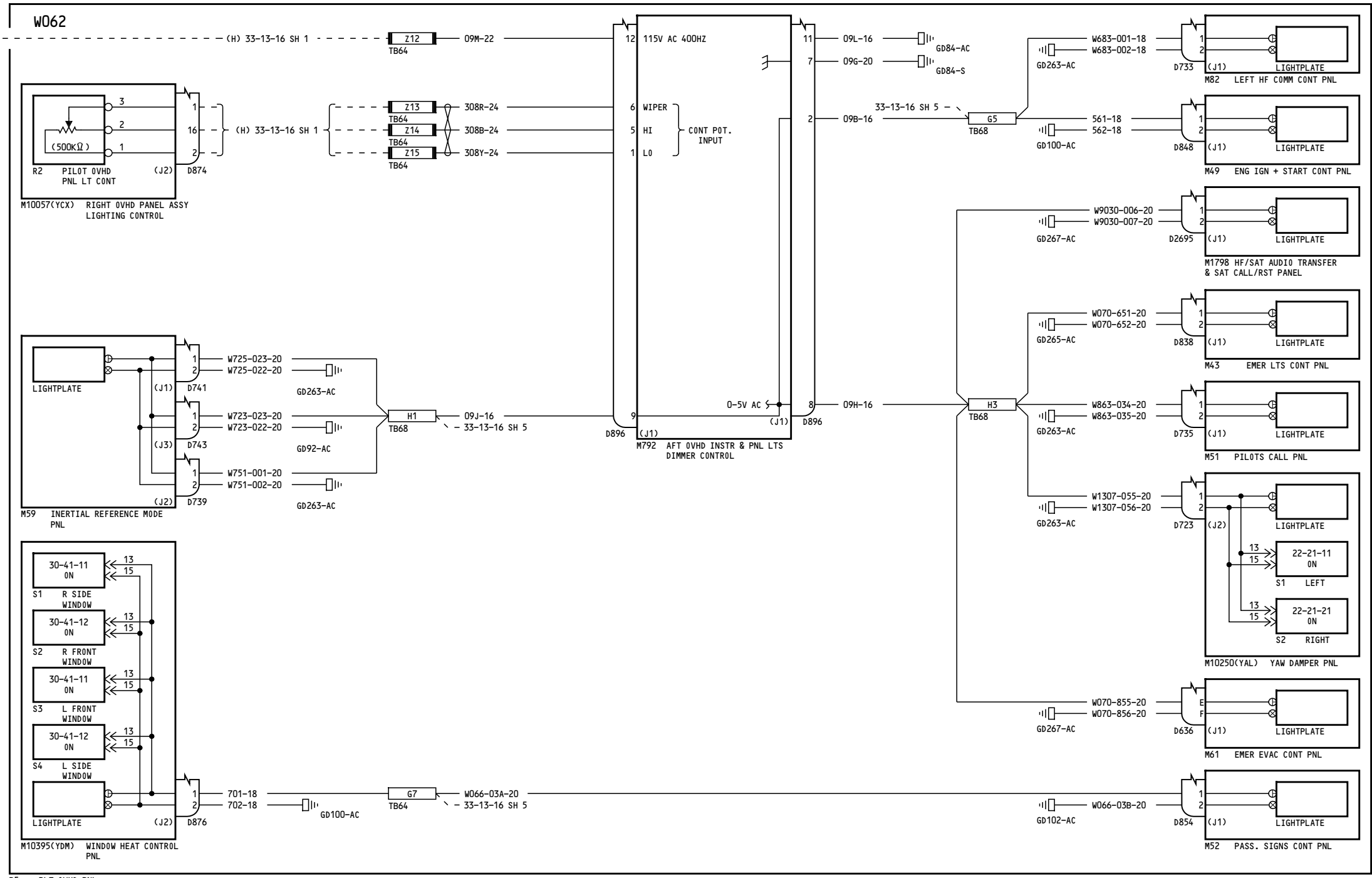
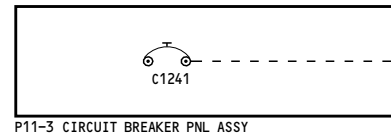
Page 6.2A
Sheet 5
Mar 09/2006



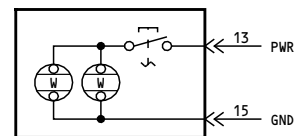
NOTES:
TYPICAL LIGHTED SWITCH CONFIGURATION EXCEPT WHERE SHOWN OTHERWISE (SHOWN FOR REFERENCE ONLY)



188



NOTES:
TYPICAL LIGHTED SWITCH CONFIGURATION EXCEPT WHERE SHOWN OTHERWISE (SHOWN FOR REFERENCE ONLY)



167

**INSTRUMENT & PANEL LIGHTS
PILOTS-
OVERHEAD PANEL**

D280T132

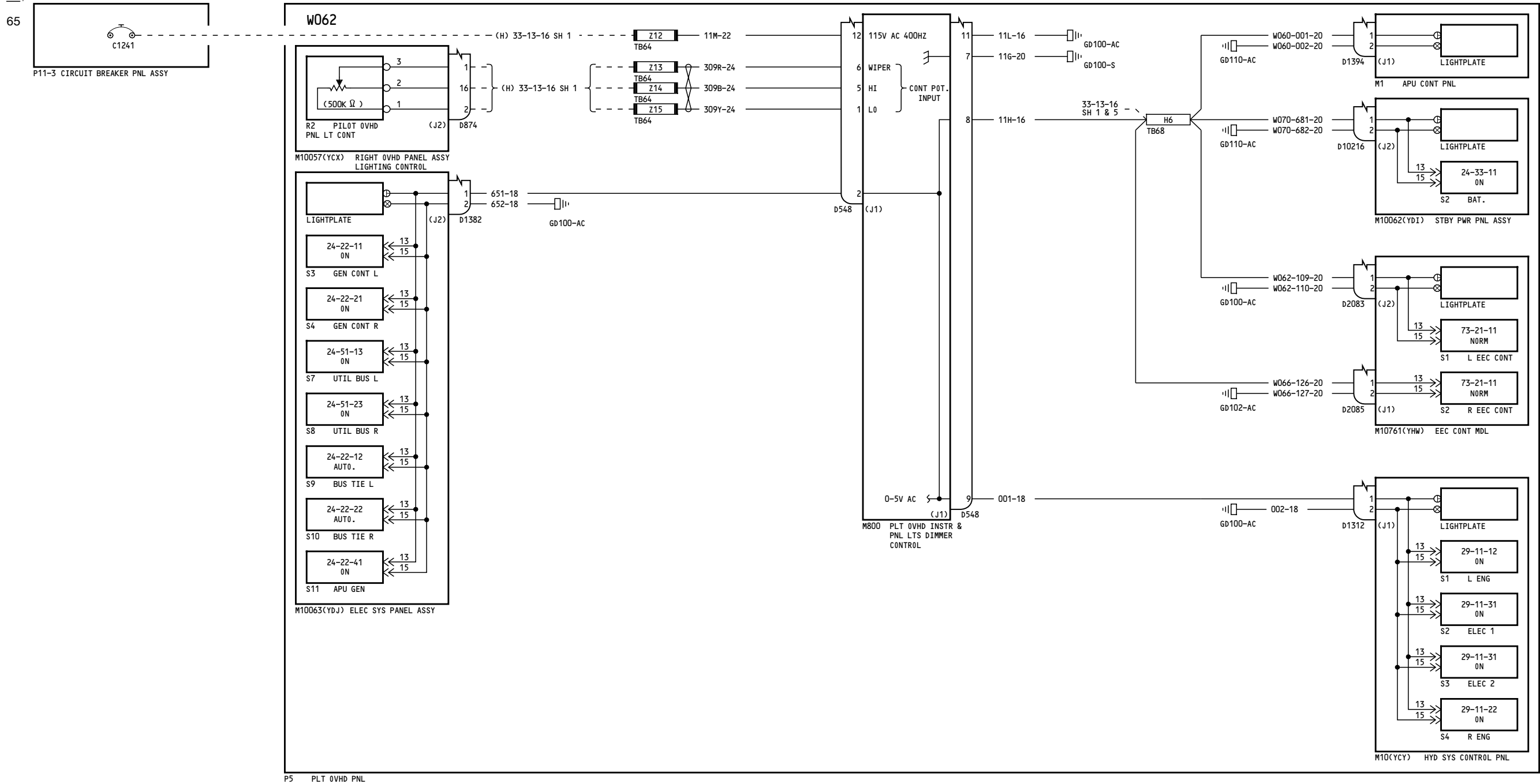
33-13-16

Page 6.3A
Sheet 2
Mar 09/2006

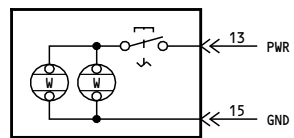
Incorporates
MTO 230591

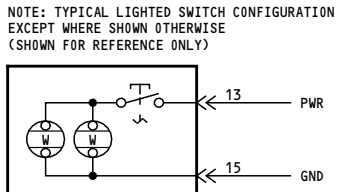
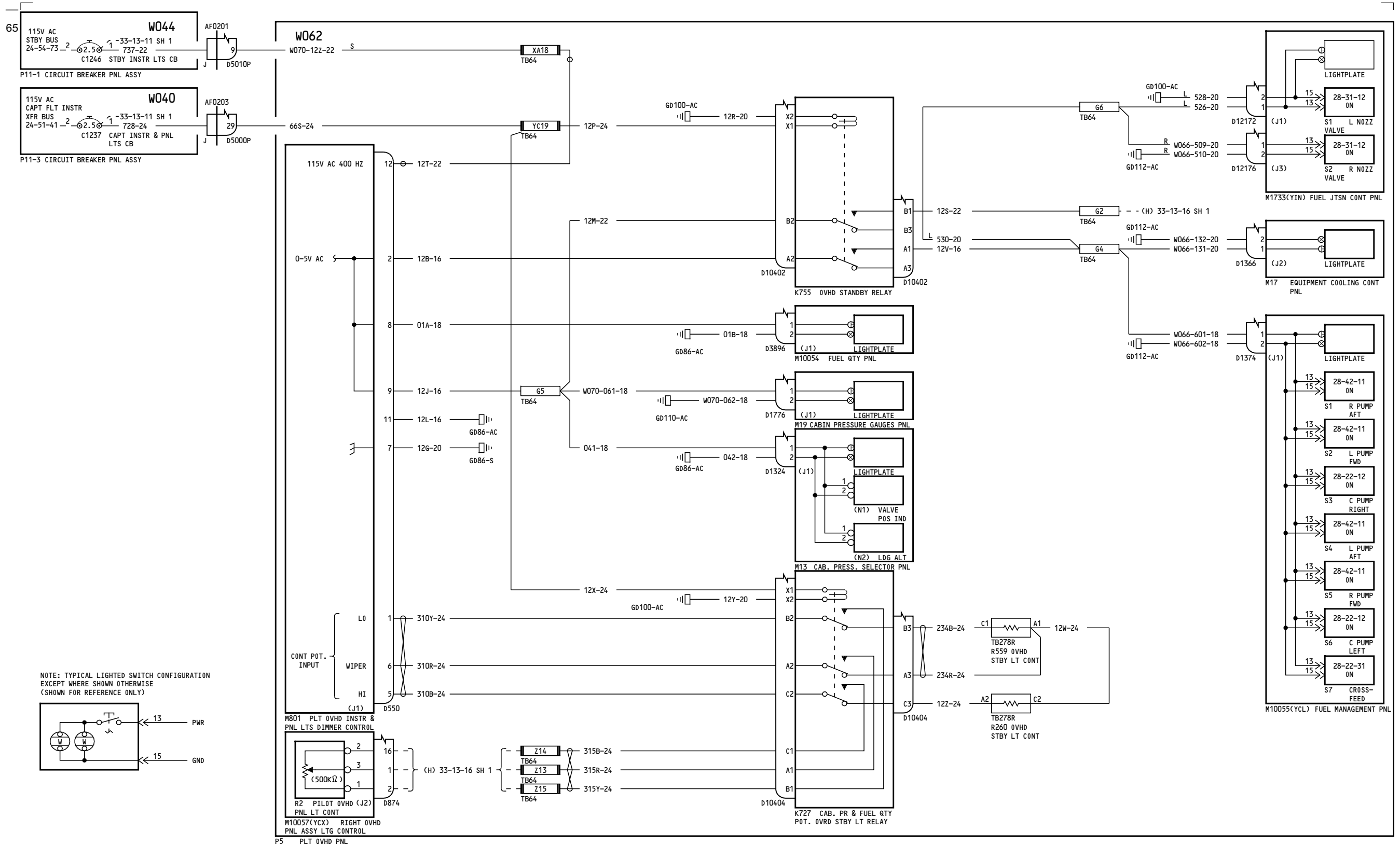
33-13-16

Page 6.3A
Sheet 2
Mar 09/2006

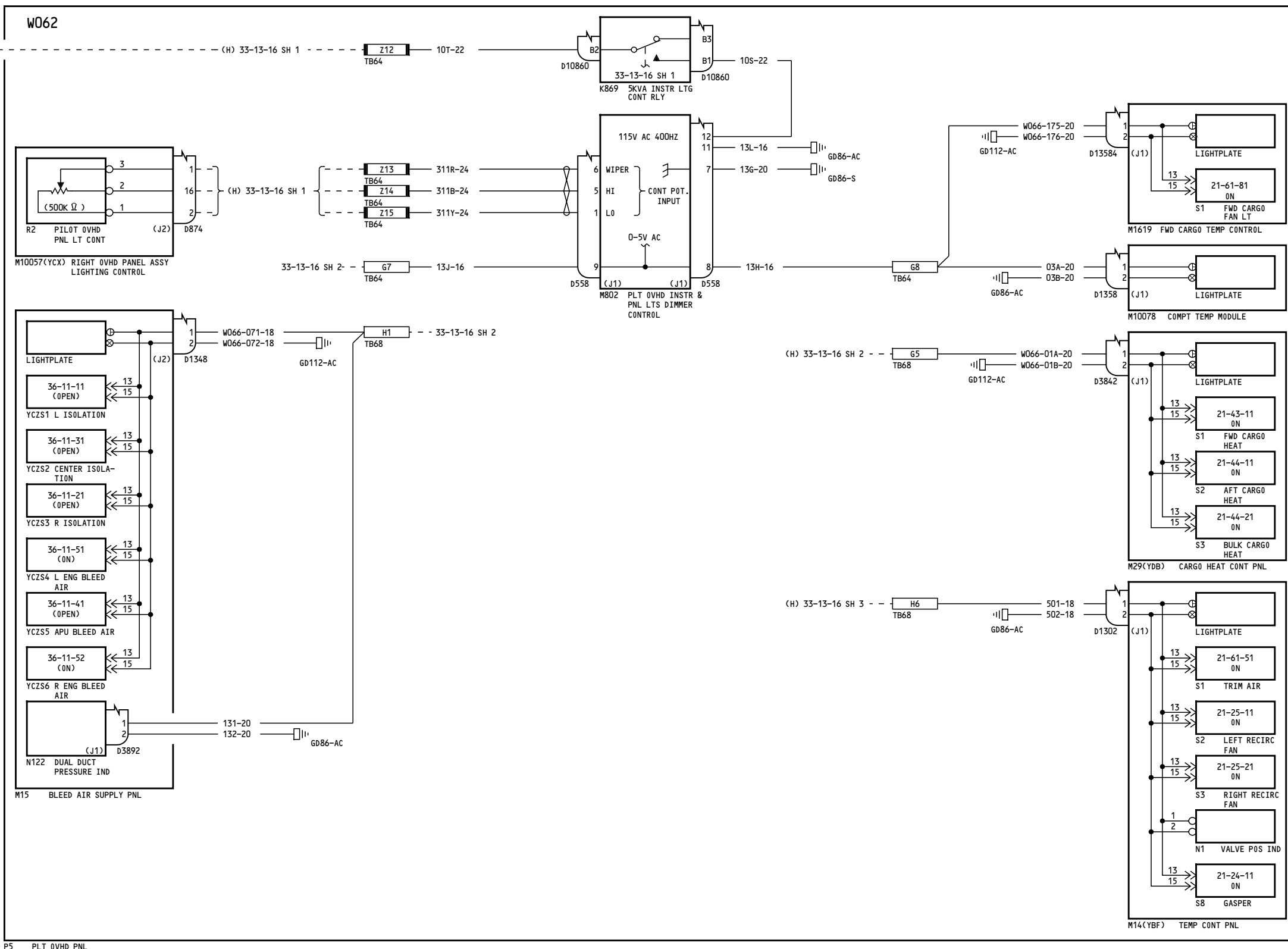
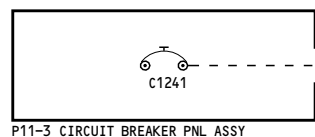


NOTES:
TYPICAL LIGHTED SWITCH CONFIGURATION EXCEPT WHERE SHOWN OTHERWISE (SHOWN FOR REFERENCE ONLY)

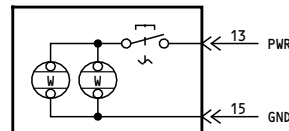




65



NOTES:
TYPICAL LIGHTED SWITCH CONFIGURATION EXCEPT WHERE SHOWN OTHERWISE (SHOWN FOR REFERENCE ONLY)



167

**INSTRUMENT & PANEL LIGHTS
PILOTS-
OVERHEAD PANEL**

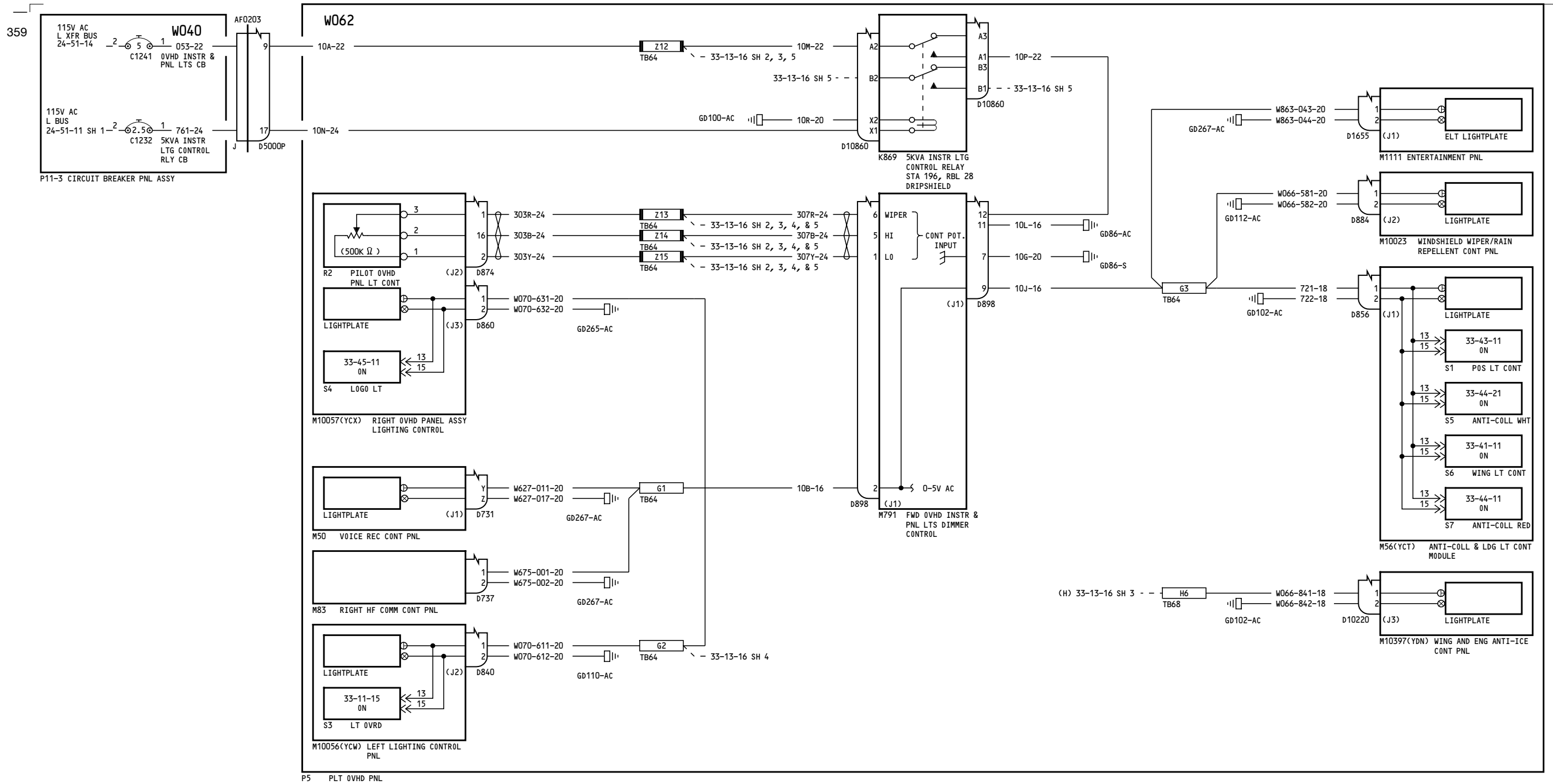
D280T132

33-13-16

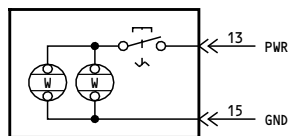
Page 6.3A
Sheet 5
Mar 09/2006

33-13-16

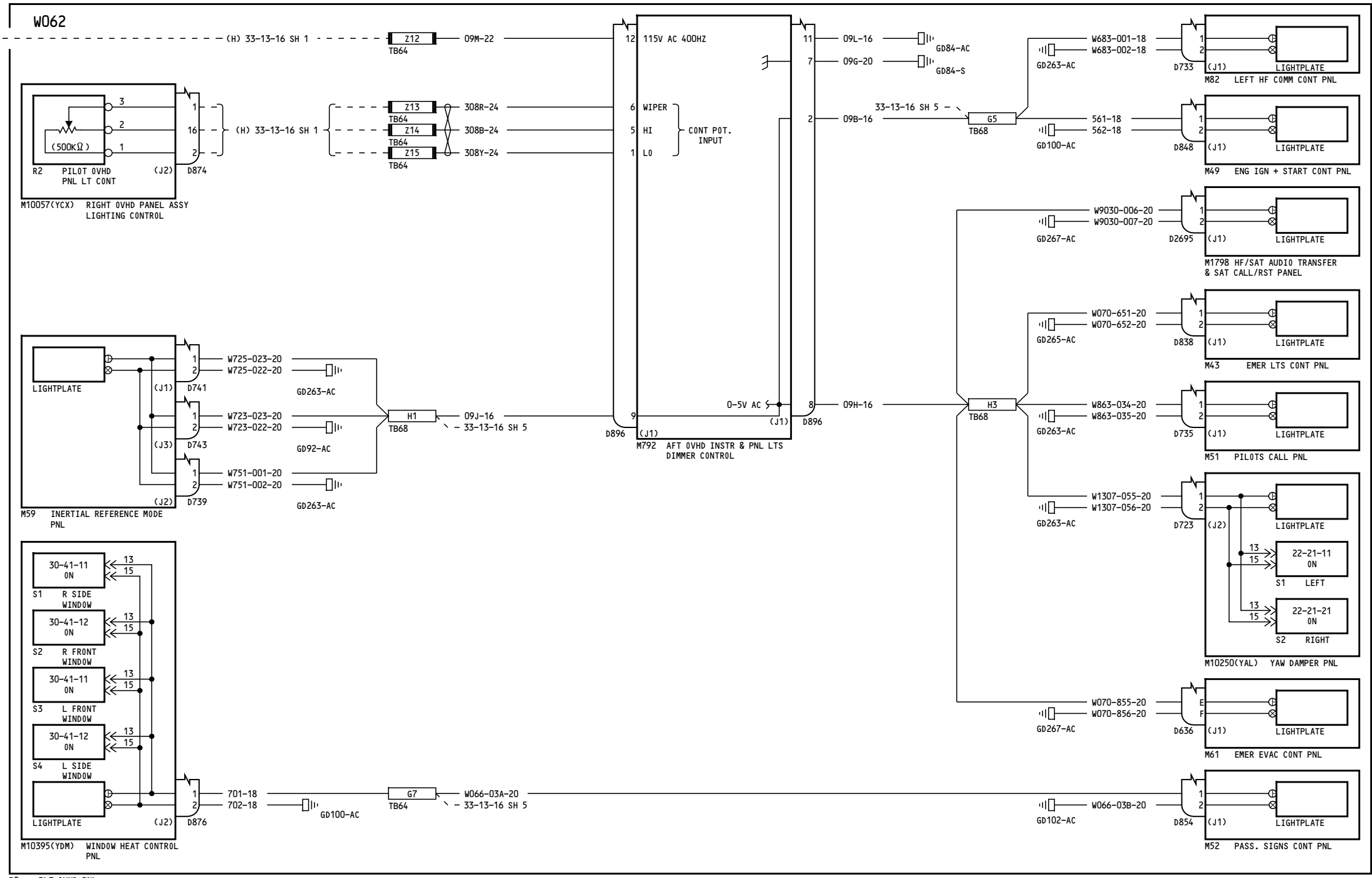
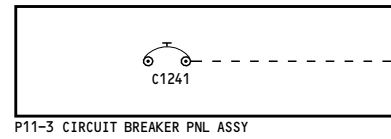
Page 6.3A
Sheet 5
Mar 09/2006



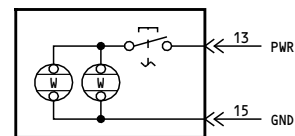
NOTES:
TYPICAL LIGHTED SWITCH CONFIGURATION EXCEPT WHERE SHOWN OTHERWISE (SHOWN FOR REFERENCE ONLY)



188



NOTES:
TYPICAL LIGHTED SWITCH CONFIGURATION EXCEPT WHERE SHOWN OTHERWISE (SHOWN FOR REFERENCE ONLY)



157

**INSTRUMENT & PANEL LIGHTS
PILOTS-
OVERHEAD PANEL**

D280T132

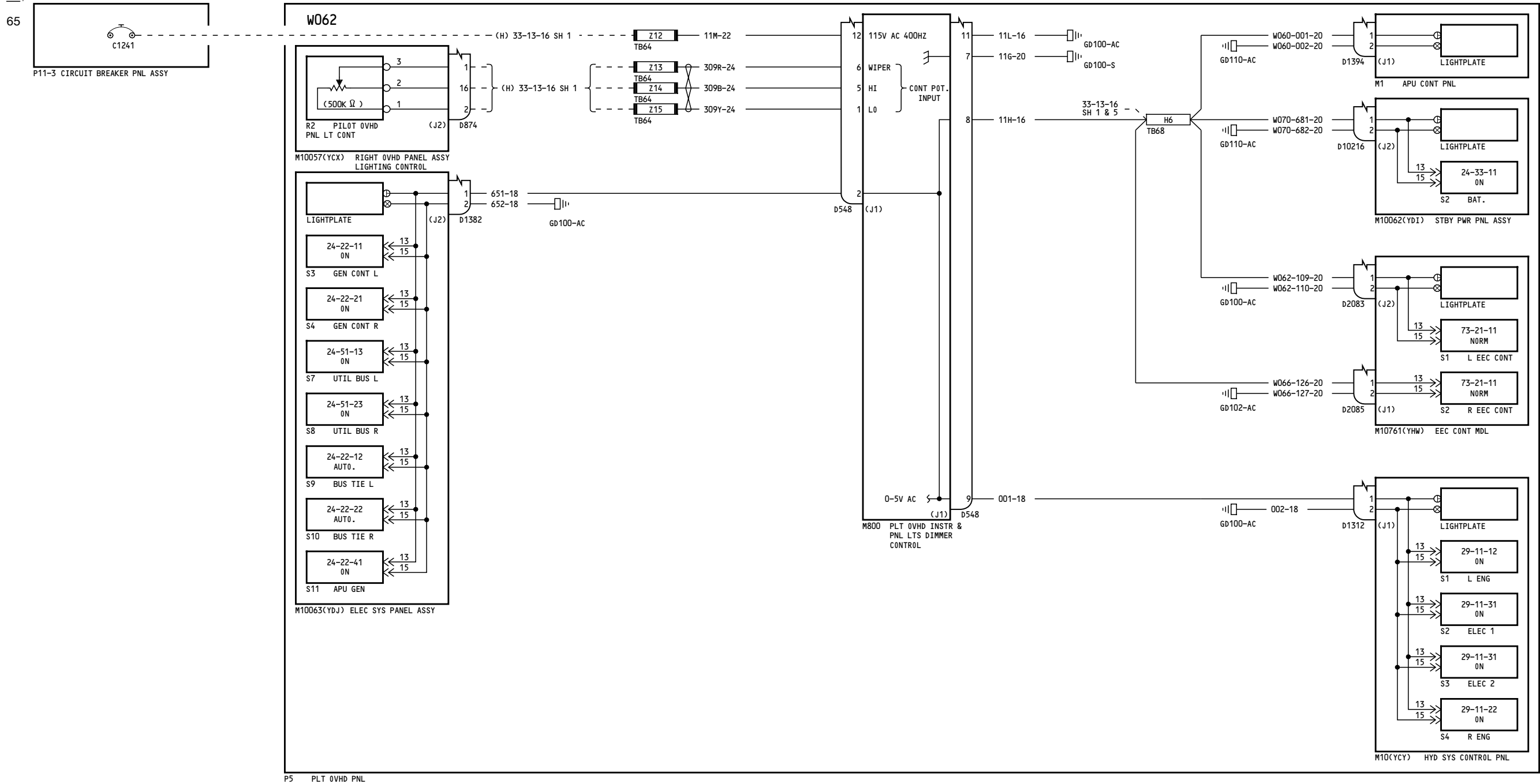
33-13-16

Page 7.1A
Sheet 2
Mar 09/2006

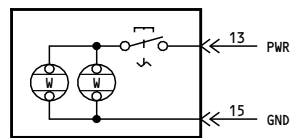
Incorporates
MTO 230591

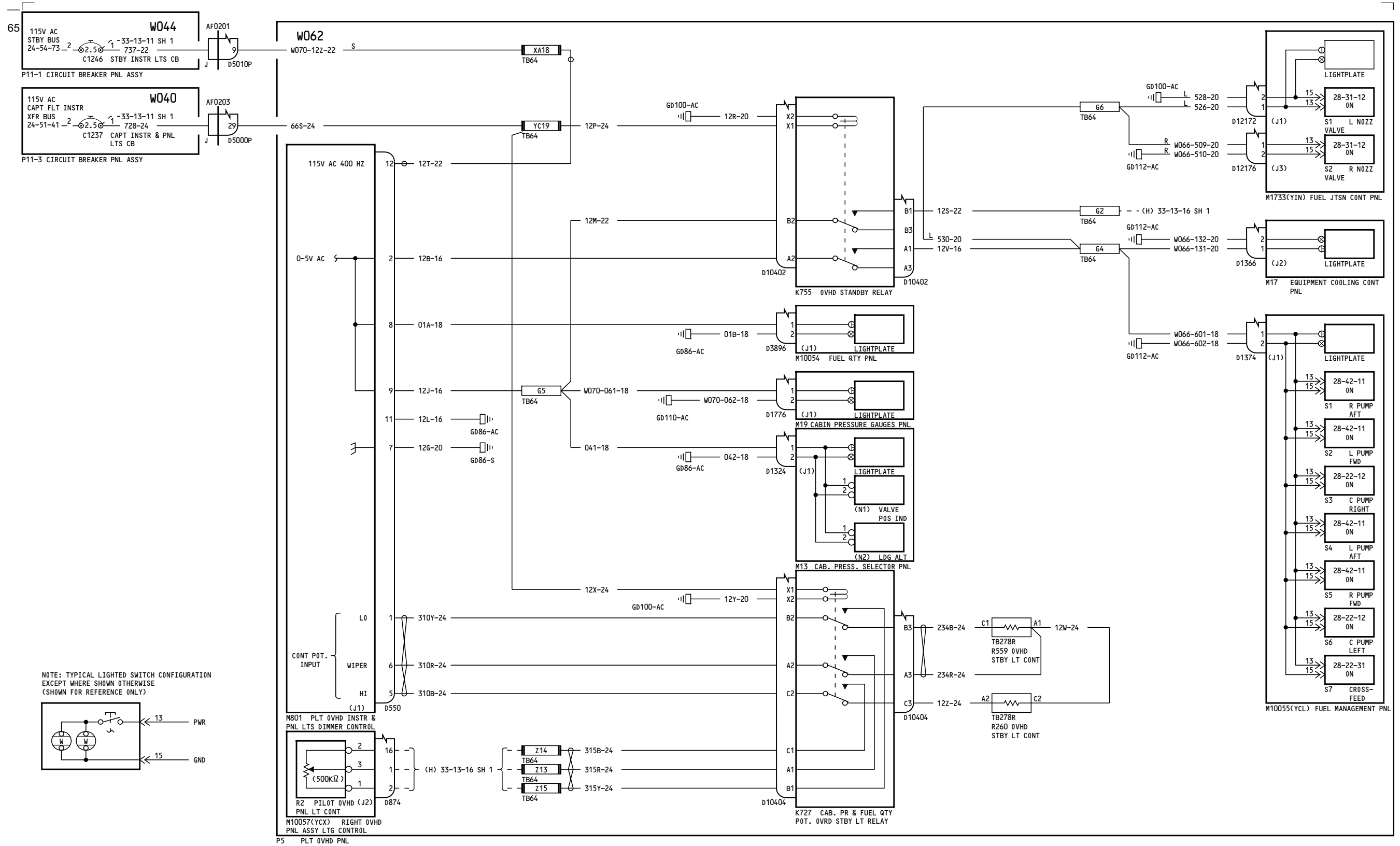
33-13-16

Page 7.1A
Sheet 2
Mar 09/2006

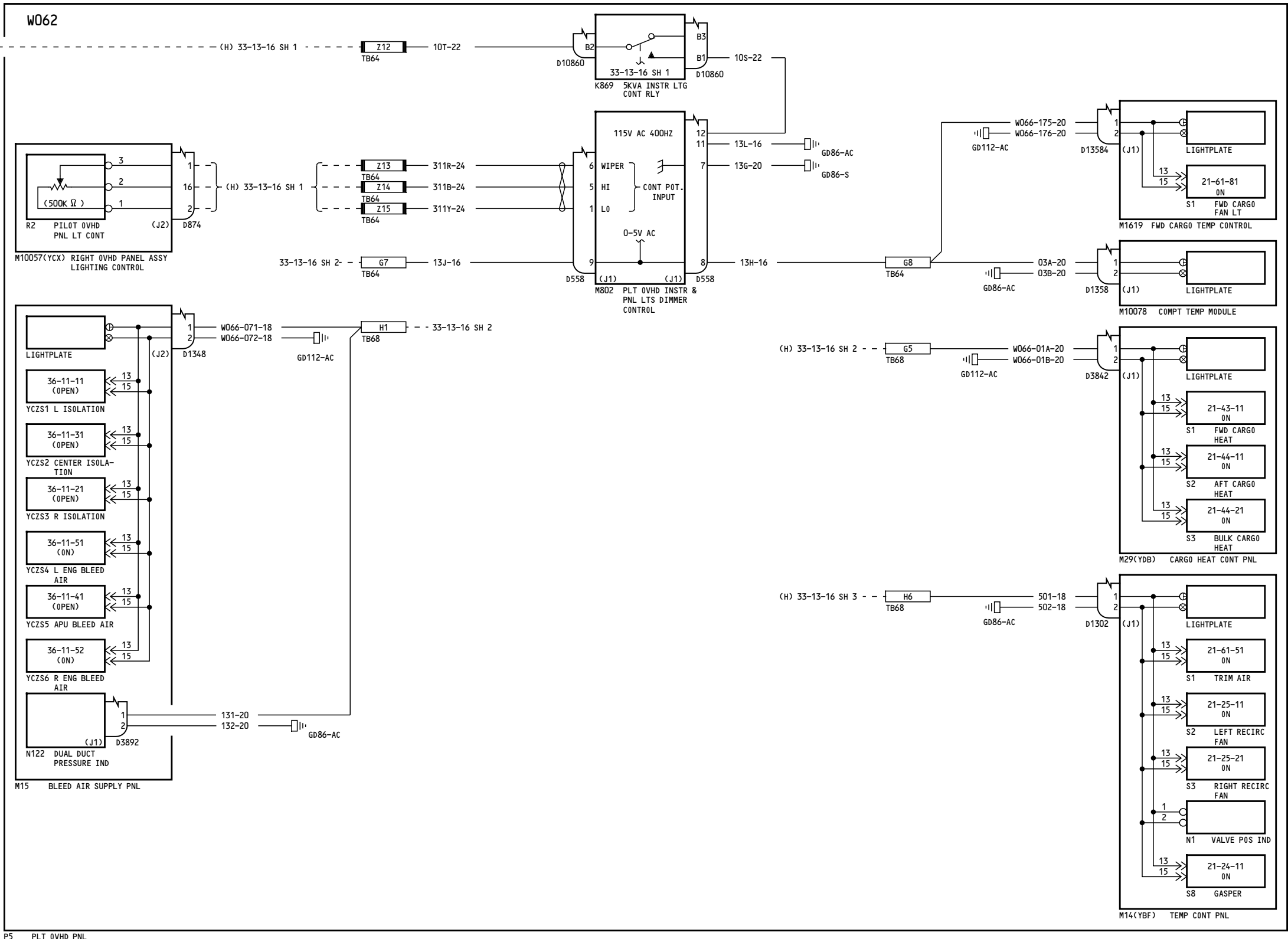
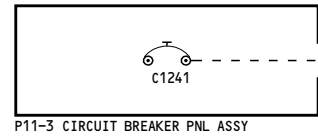


NOTES:
 TYPICAL LIGHTED SWITCH CONFIGURATION EXCEPT WHERE SHOWN OTHERWISE (SHOWN FOR REFERENCE ONLY)

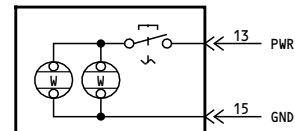




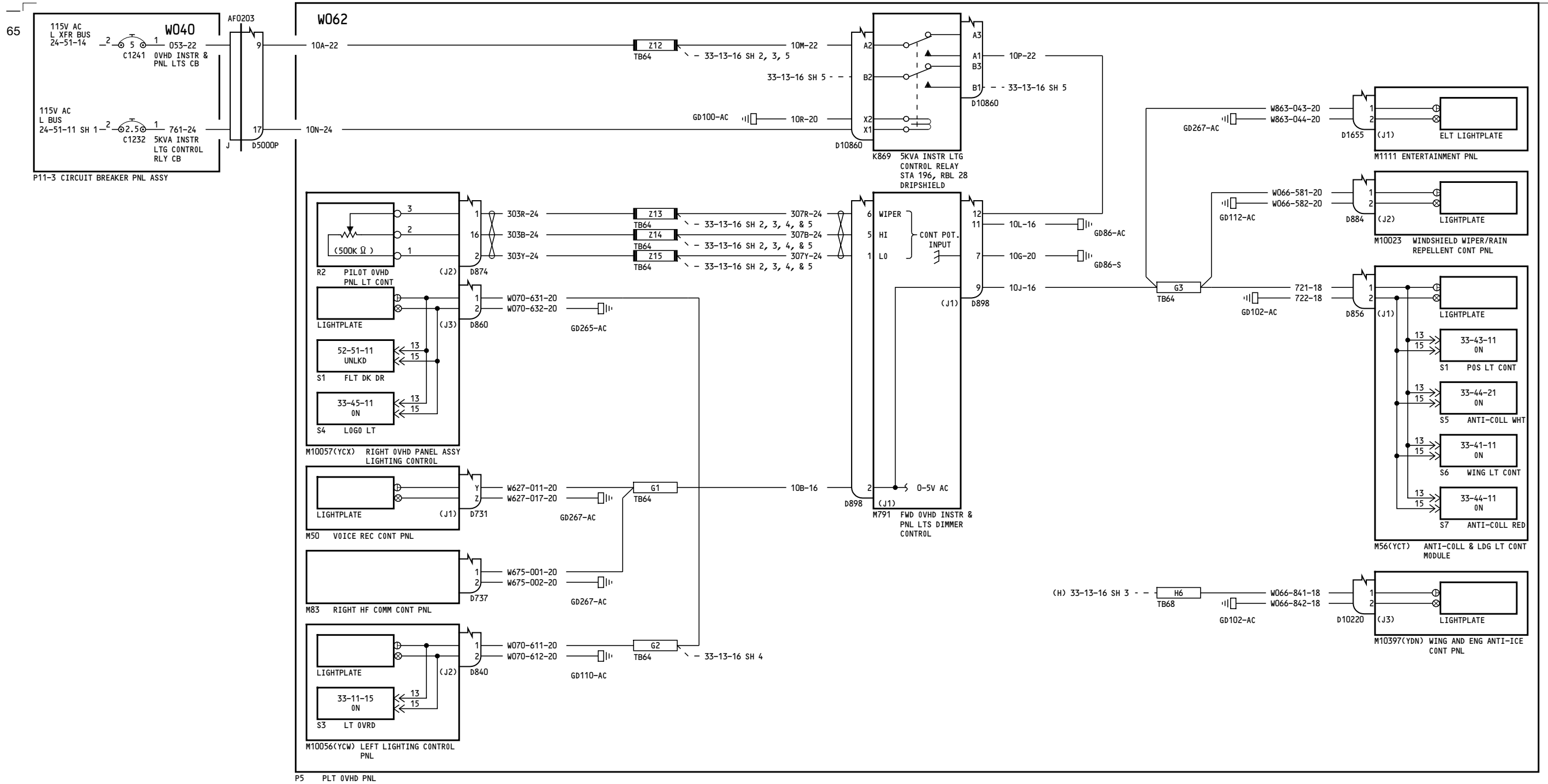
65



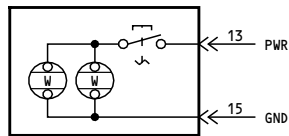
NOTES:
TYPICAL LIGHTED SWITCH CONFIGURATION EXCEPT WHERE SHOWN OTHERWISE (SHOWN FOR REFERENCE ONLY)



P5 PLT OVHD PNL



NOTES:
 TYPICAL LIGHTED SWITCH CONFIGURATION EXCEPT WHERE SHOWN OTHERWISE (SHOWN FOR REFERENCE ONLY)



162-165

**INSTRUMENT & PANEL LIGHTS
 PILOTS-
 OVERHEAD PANEL**

D280T132

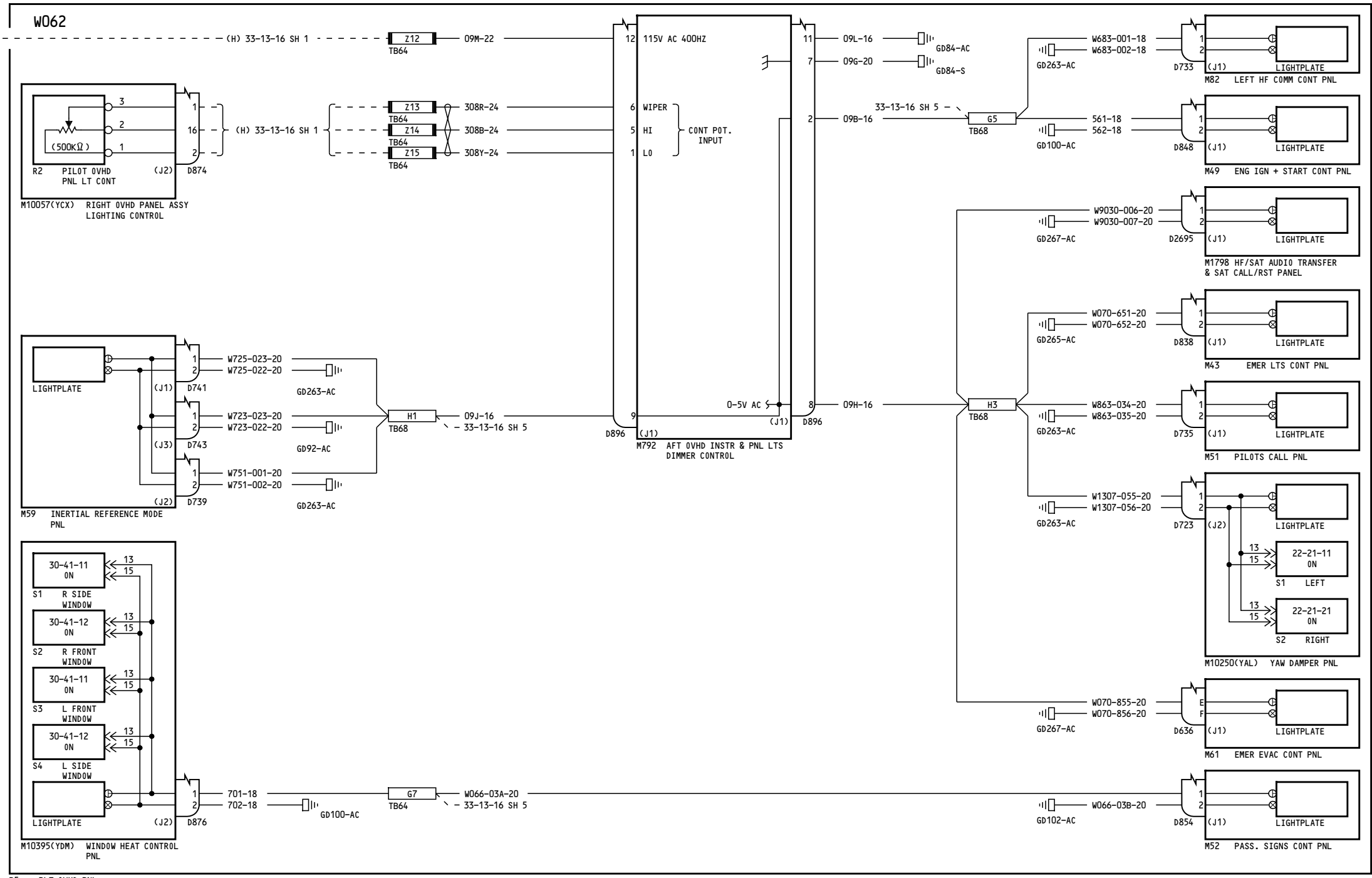
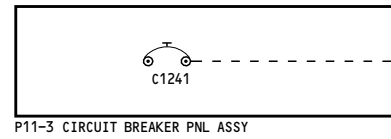
33-13-16

Page 8A
 Sheet 1
 Mar 09/2006

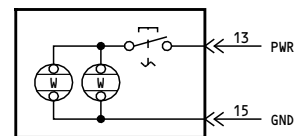
33-13-16

Page 8A
 Sheet 1
 Mar 09/2006

188



NOTES:
TYPICAL LIGHTED SWITCH CONFIGURATION EXCEPT WHERE SHOWN OTHERWISE (SHOWN FOR REFERENCE ONLY)



162-165

**INSTRUMENT & PANEL LIGHTS
PILOTS-
OVERHEAD PANEL**

D280T132

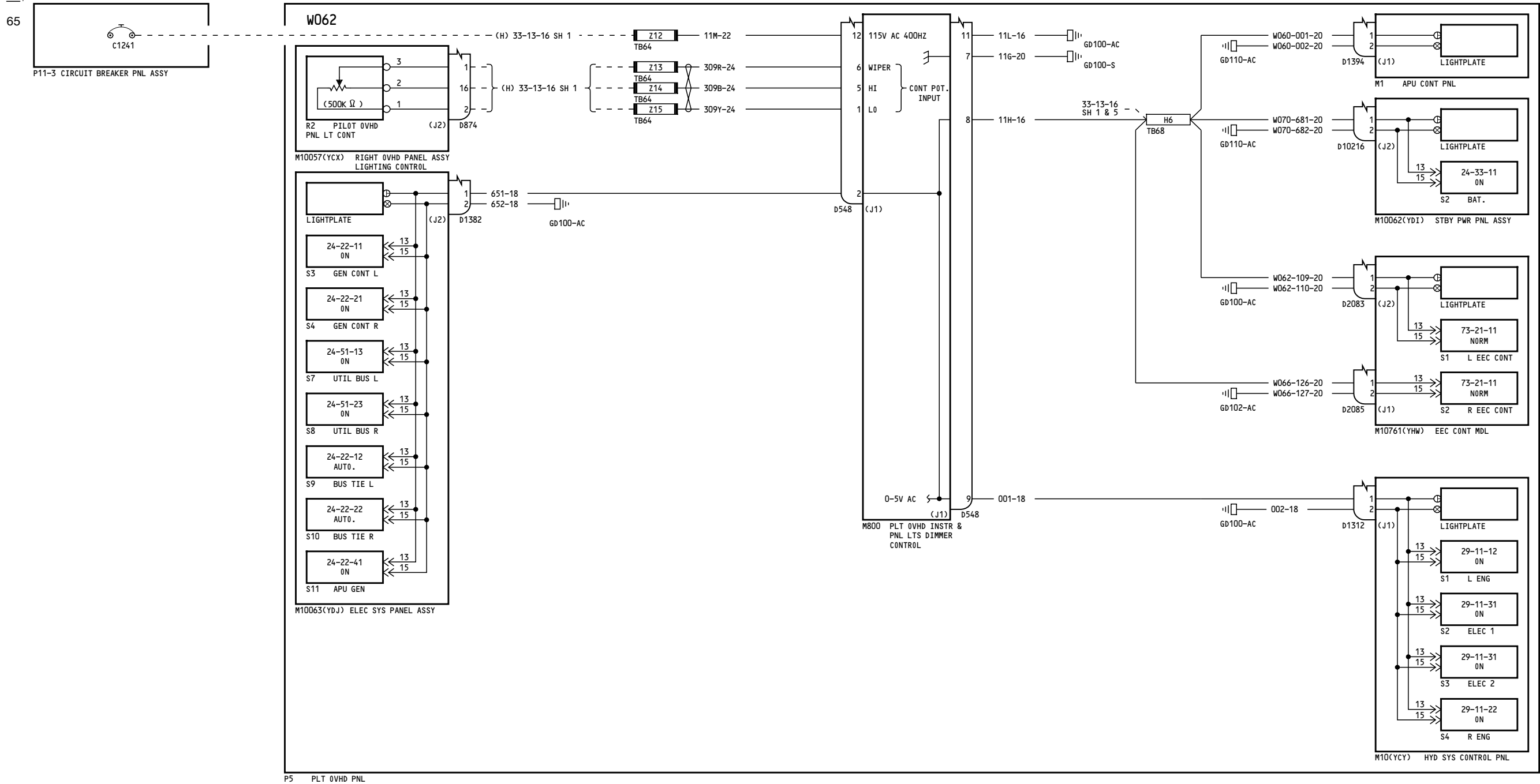
33-13-16

Page 8A
Sheet 2
Mar 09/2006

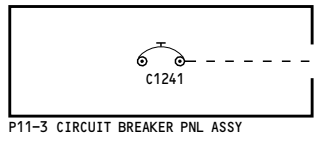
Incorporates
MTO 230592

33-13-16

Page 8A
Sheet 2
Mar 09/2006

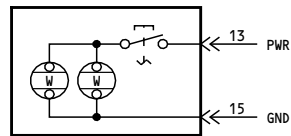


65



P5 PLT OVHD PNL

NOTES:
 TYPICAL LIGHTED SWITCH CONFIGURATION EXCEPT WHERE SHOWN OTHERWISE (SHOWN FOR REFERENCE ONLY)



162-165

**INSTRUMENT & PANEL LIGHTS
 PILOTS-
 OVERHEAD PANEL**

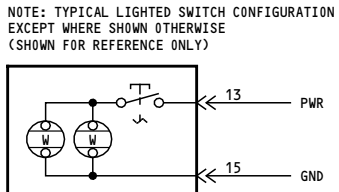
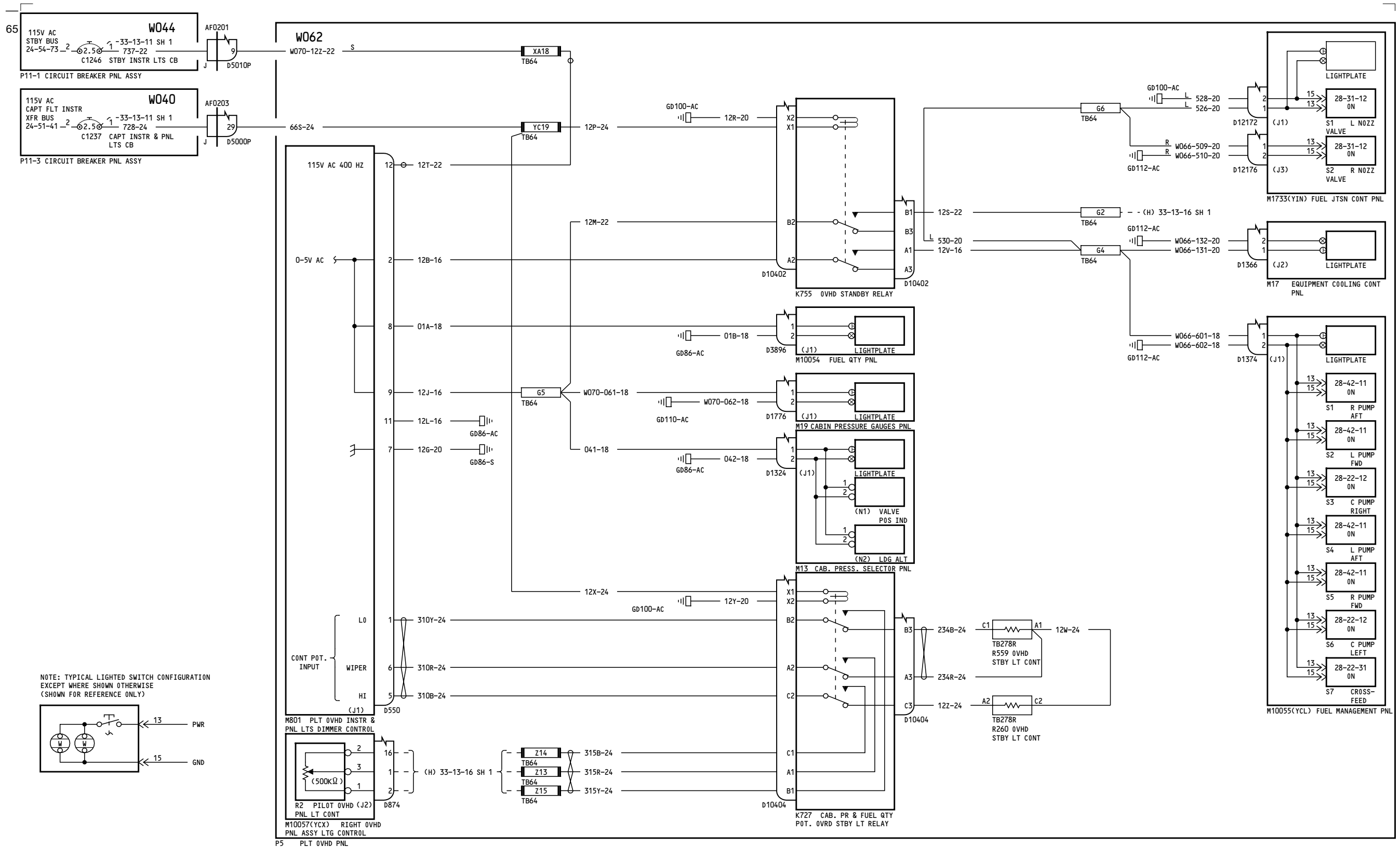
D280T132

33-13-16

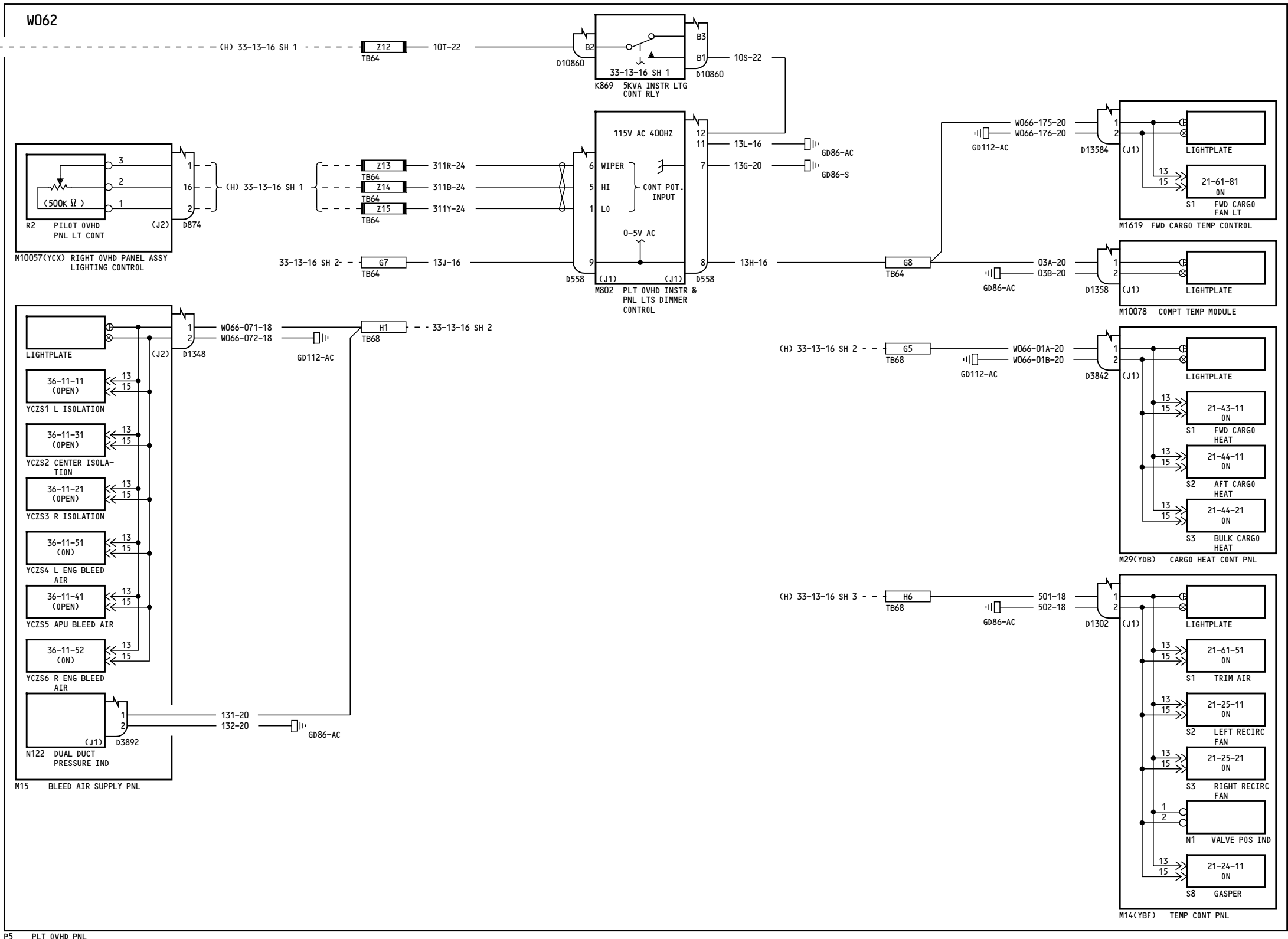
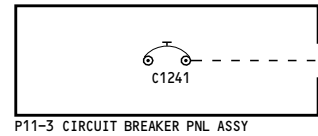
Page 8A
 Sheet 3
 Mar 09/2006

33-13-16

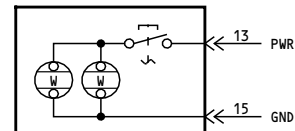
Page 8A
 Sheet 3
 Mar 09/2006



65



NOTES:
TYPICAL LIGHTED SWITCH CONFIGURATION EXCEPT WHERE SHOWN OTHERWISE (SHOWN FOR REFERENCE ONLY)



162-165

**INSTRUMENT & PANEL LIGHTS
PILOTS-
OVERHEAD PANEL**

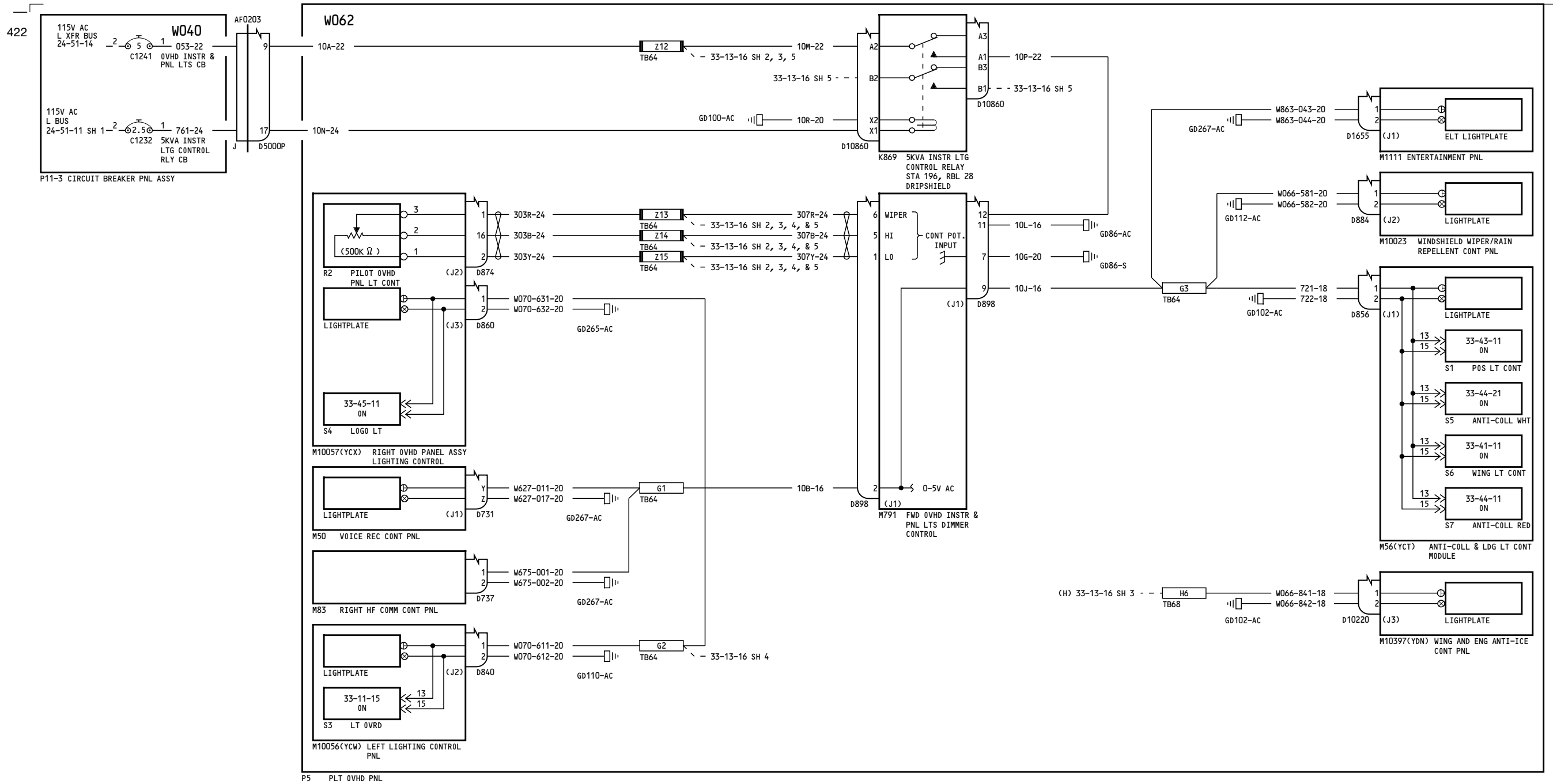
D280T132

33-13-16

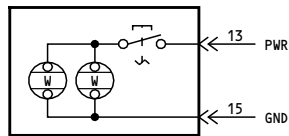
Page 8A
Sheet 5
Mar 09/2006

33-13-16

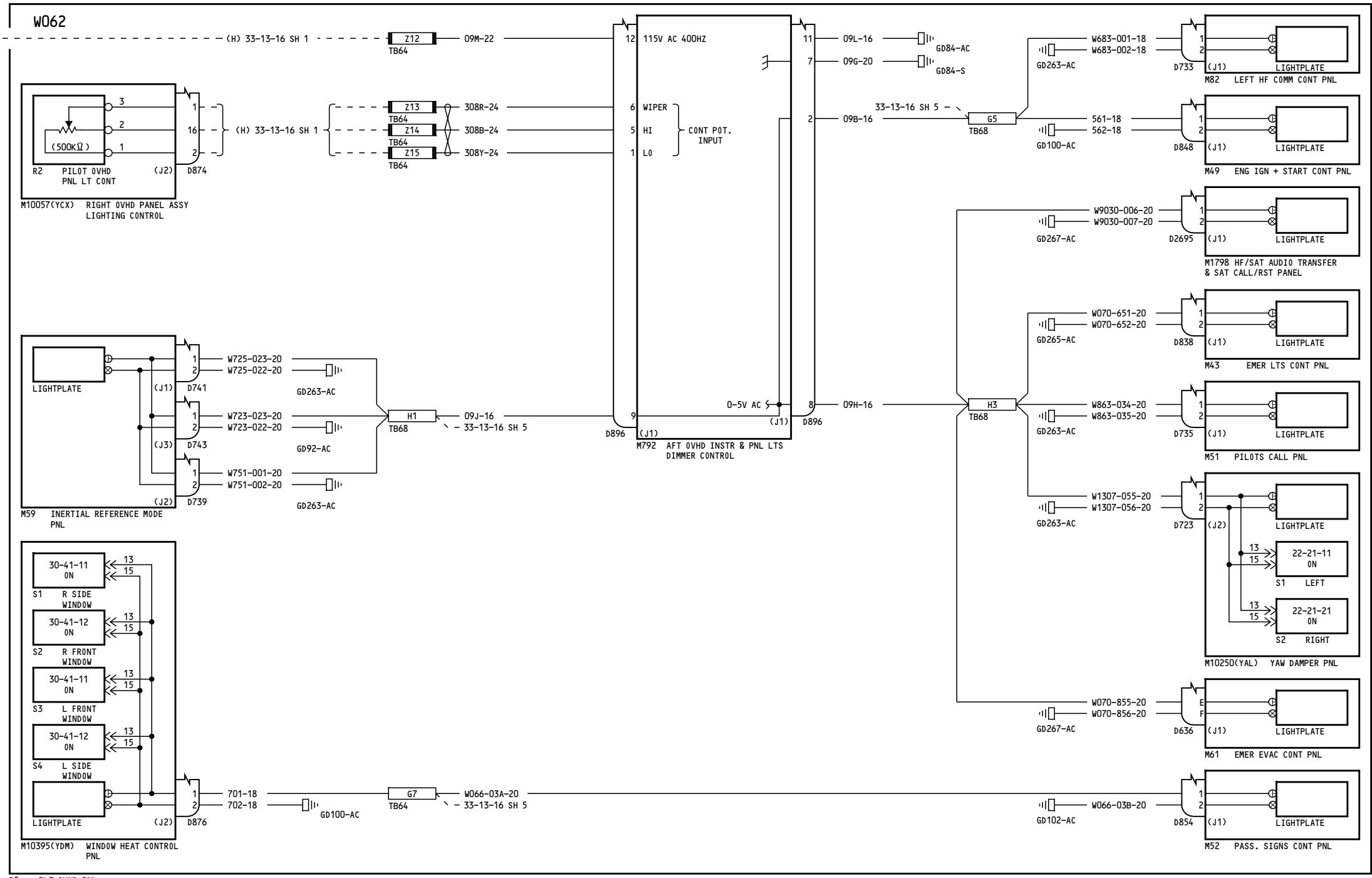
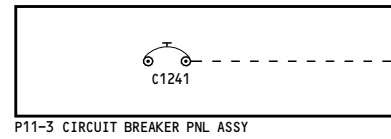
Page 8A
Sheet 5
Mar 09/2006



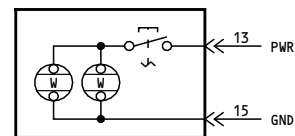
NOTES:
 TYPICAL LIGHTED SWITCH CONFIGURATION EXCEPT WHERE SHOWN OTHERWISE (SHOWN FOR REFERENCE ONLY)



188



NOTES:
TYPICAL LIGHTED SWITCH CONFIGURATION EXCEPT WHERE SHOWN OTHERWISE (SHOWN FOR REFERENCE ONLY)



162

**INSTRUMENT & PANEL LIGHTS
PILOTS-
OVERHEAD PANEL**

D280T132

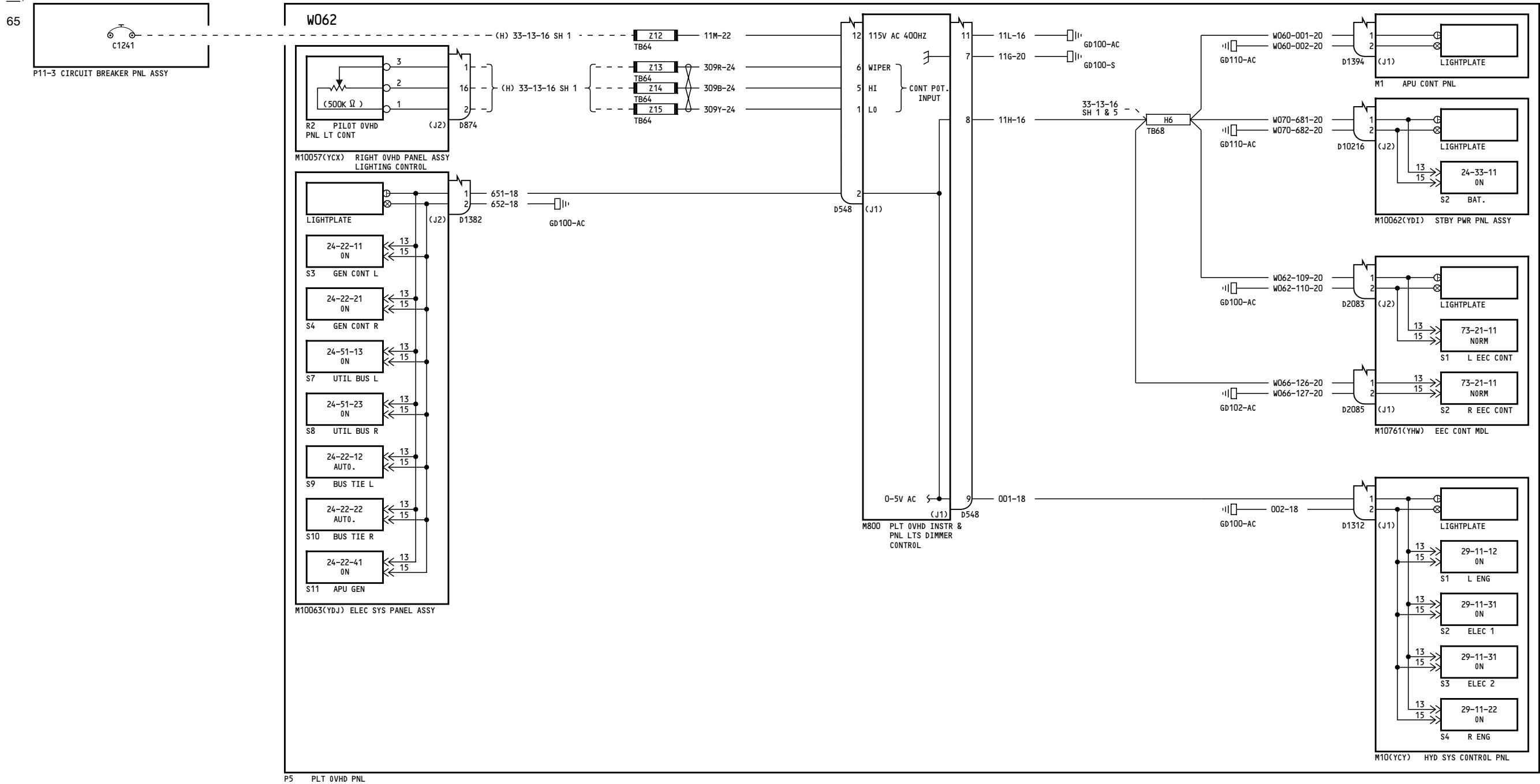
33-13-16

Page 8.1A
Sheet 2
Mar 09/2006

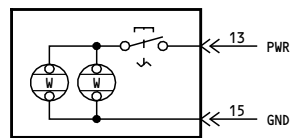
Incorporates
MTO 230592

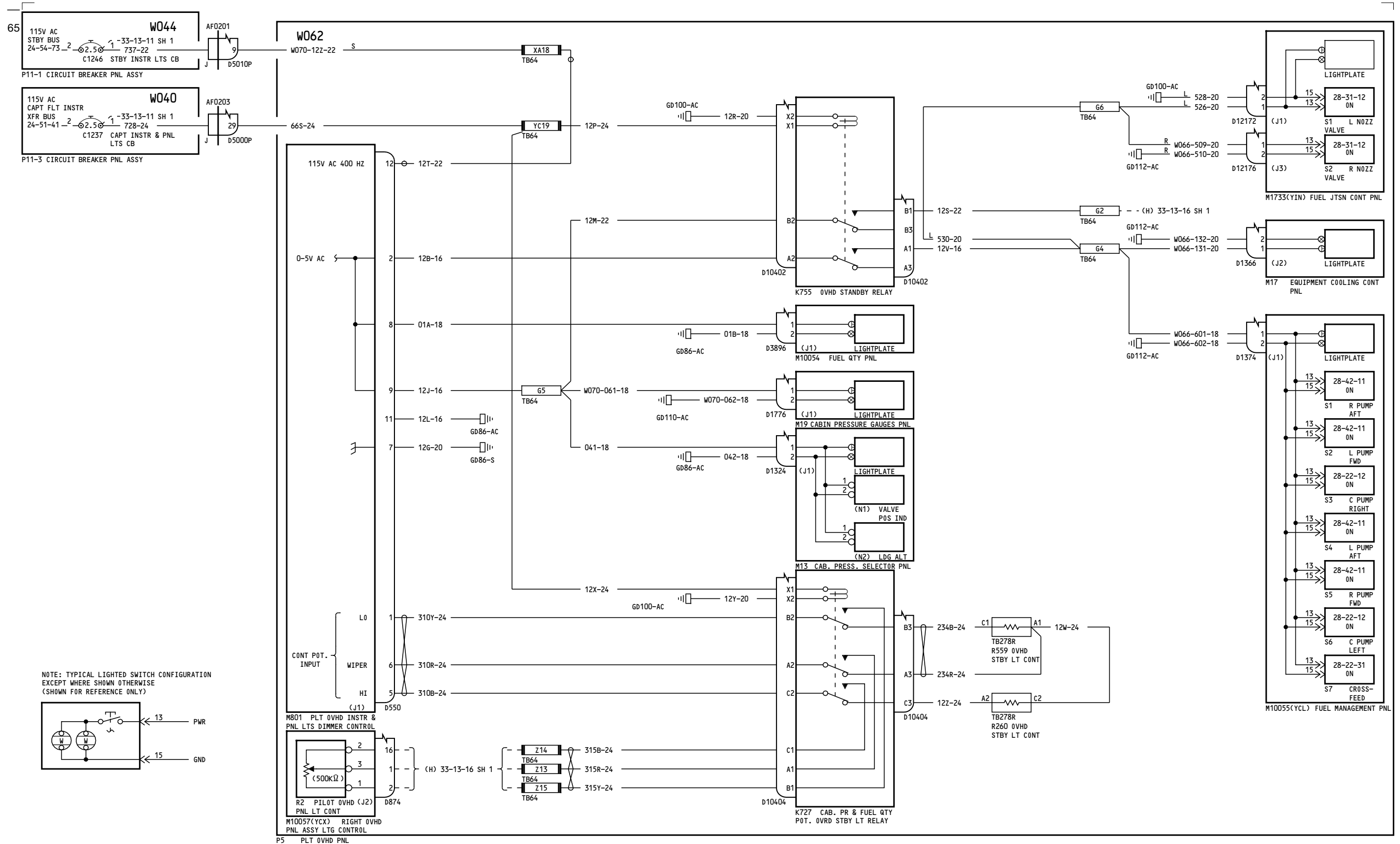
33-13-16

Page 8.1A
Sheet 2
Mar 09/2006

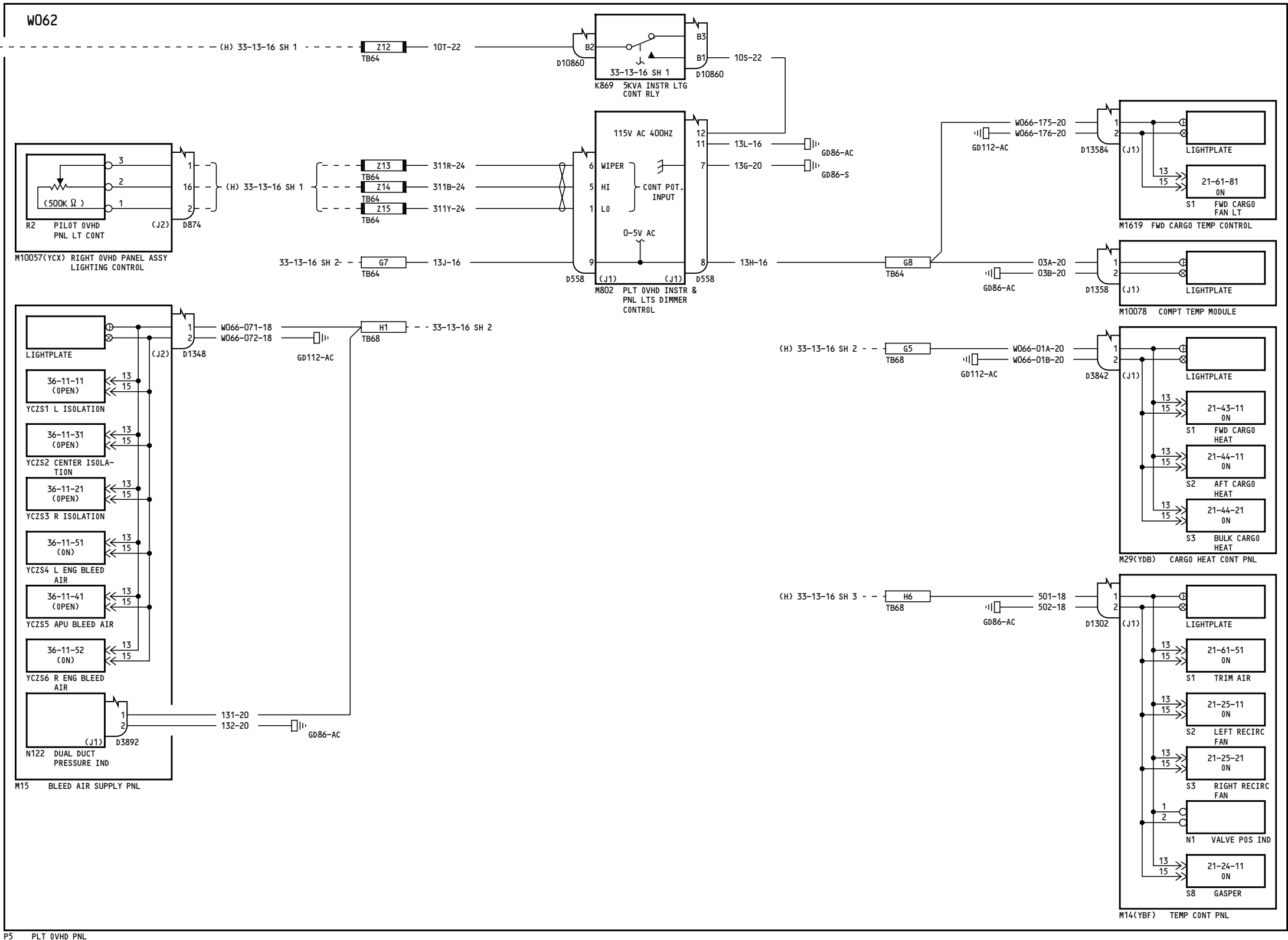
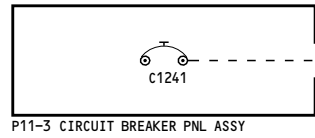


NOTES:
TYPICAL LIGHTED SWITCH CONFIGURATION EXCEPT WHERE SHOWN OTHERWISE (SHOWN FOR REFERENCE ONLY)

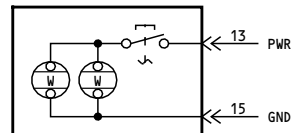




65



NOTES:
TYPICAL LIGHTED SWITCH CONFIGURATION EXCEPT WHERE SHOWN OTHERWISE (SHOWN FOR REFERENCE ONLY)



162

**INSTRUMENT & PANEL LIGHTS
PILOTS-
OVERHEAD PANEL**

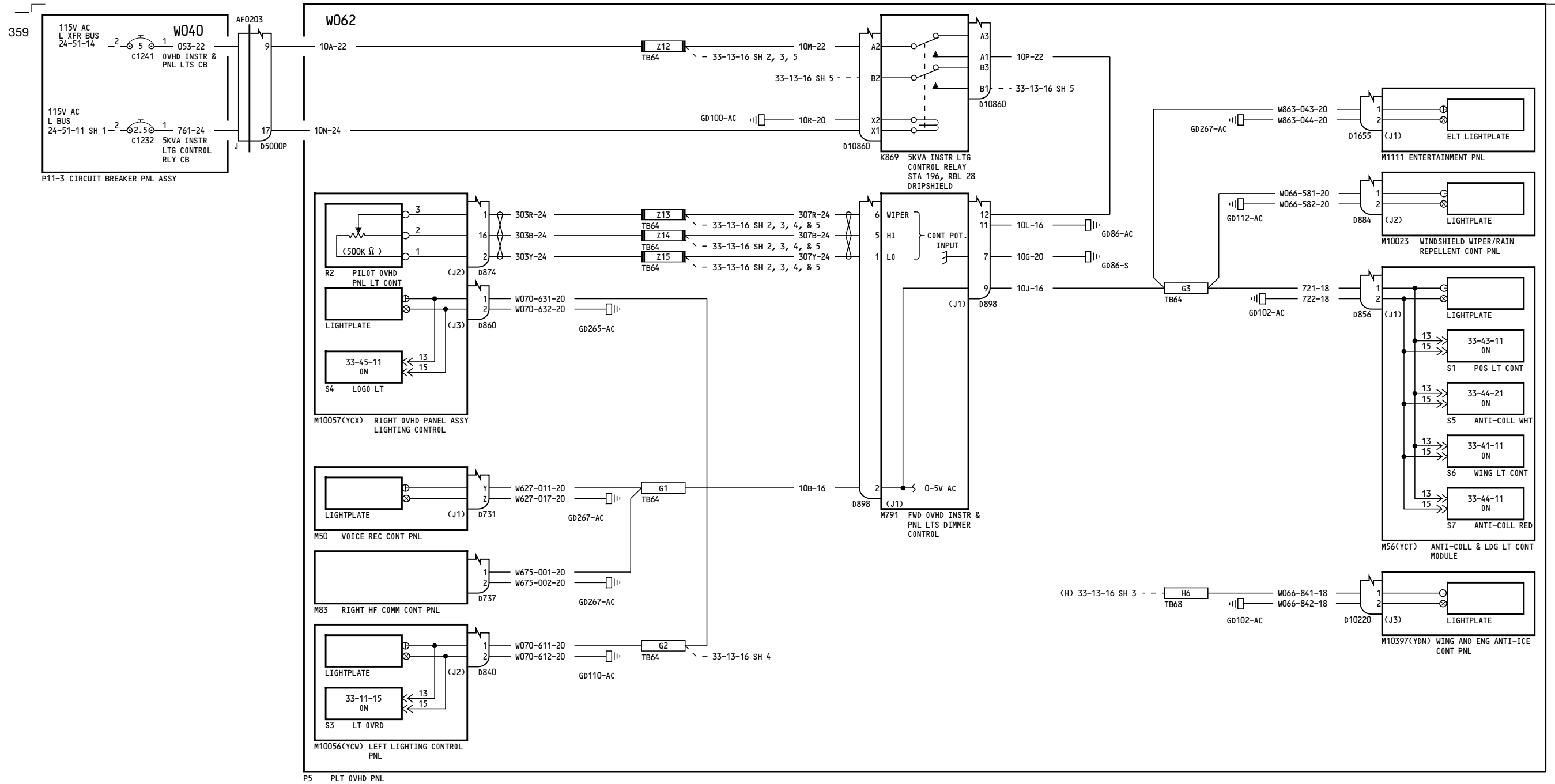
D280T132

33-13-16

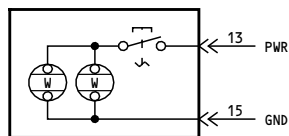
Page 8.1A
Sheet 5
Mar 09/2006

33-13-16

Page 8.1A
Sheet 5
Mar 09/2006



NOTES:
 TYPICAL LIGHTED SWITCH CONFIGURATION EXCEPT WHERE SHOWN OTHERWISE (SHOWN FOR REFERENCE ONLY)



163-165

**INSTRUMENT & PANEL LIGHTS
 PILOTS-
 OVERHEAD PANEL**

D280T132

33-13-16

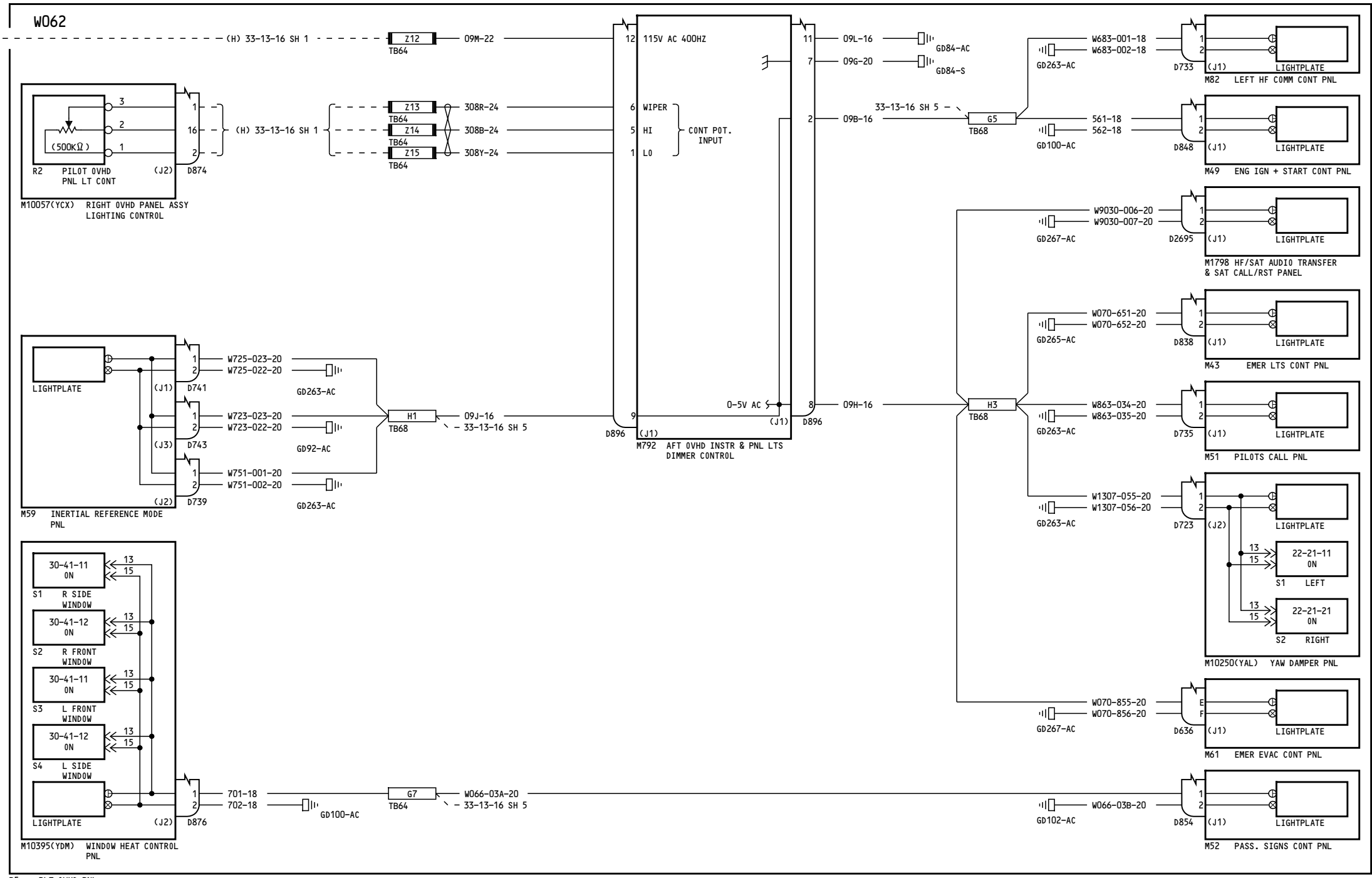
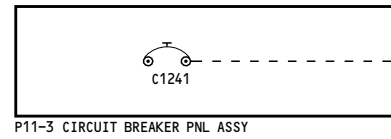
Page 8.2A
 Sheet 1
 Mar 09/2006

Incorporates
 25-0325 R02

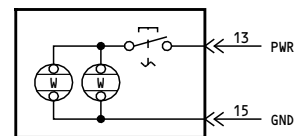
33-13-16

Page 8.2A
 Sheet 1
 Mar 09/2006

188



NOTES:
TYPICAL LIGHTED SWITCH CONFIGURATION EXCEPT WHERE SHOWN OTHERWISE (SHOWN FOR REFERENCE ONLY)



163-165

**INSTRUMENT & PANEL LIGHTS
PILOTS-
OVERHEAD PANEL**

D280T132

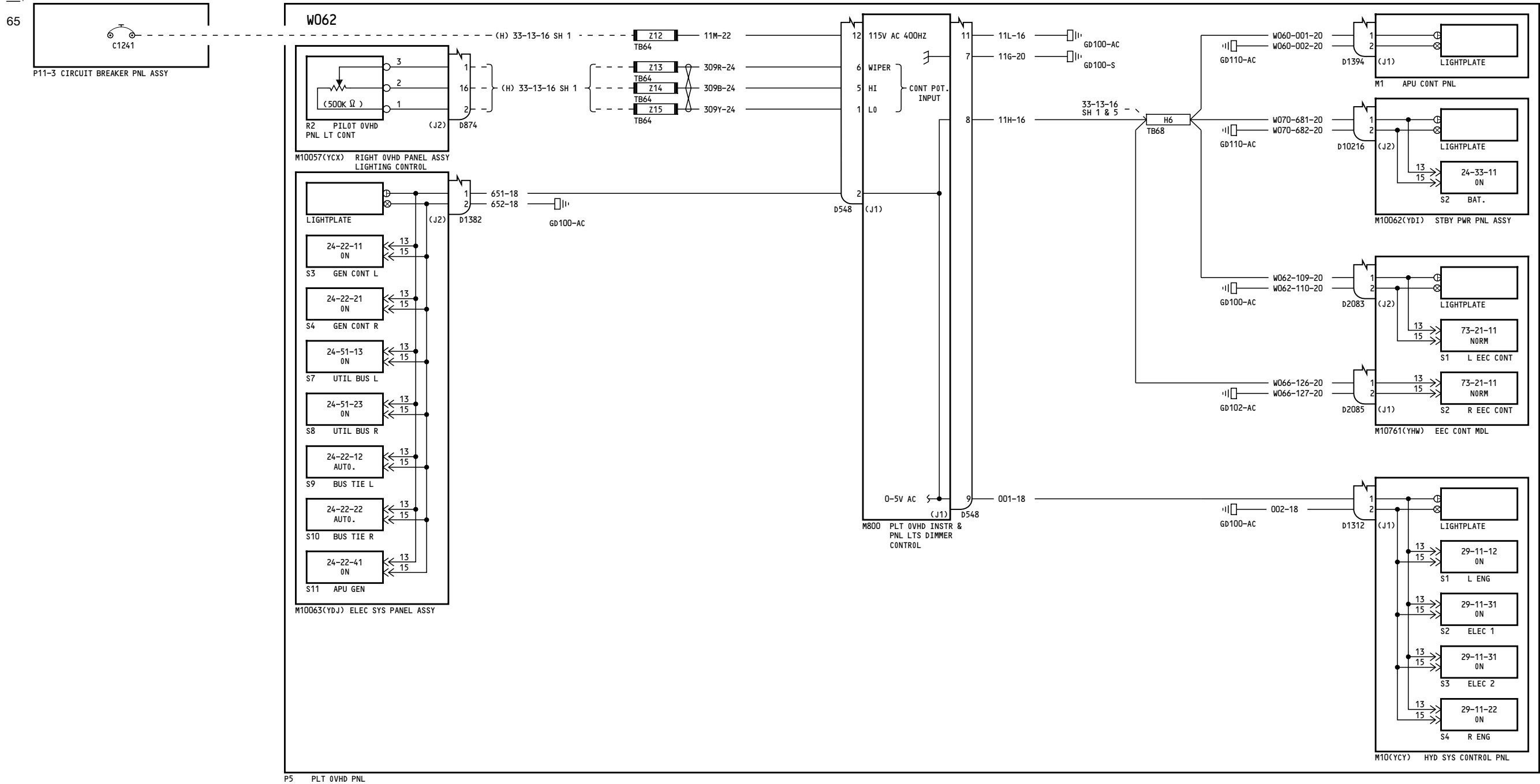
33-13-16

Page 8.2A
Sheet 2
Mar 09/2006

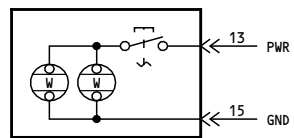
Incorporates
MTO 230592

33-13-16

Page 8.2A
Sheet 2
Mar 09/2006



NOTES:
 TYPICAL LIGHTED SWITCH CONFIGURATION EXCEPT WHERE SHOWN OTHERWISE (SHOWN FOR REFERENCE ONLY)



163-165

**INSTRUMENT & PANEL LIGHTS
 PILOTS-
 OVERHEAD PANEL**

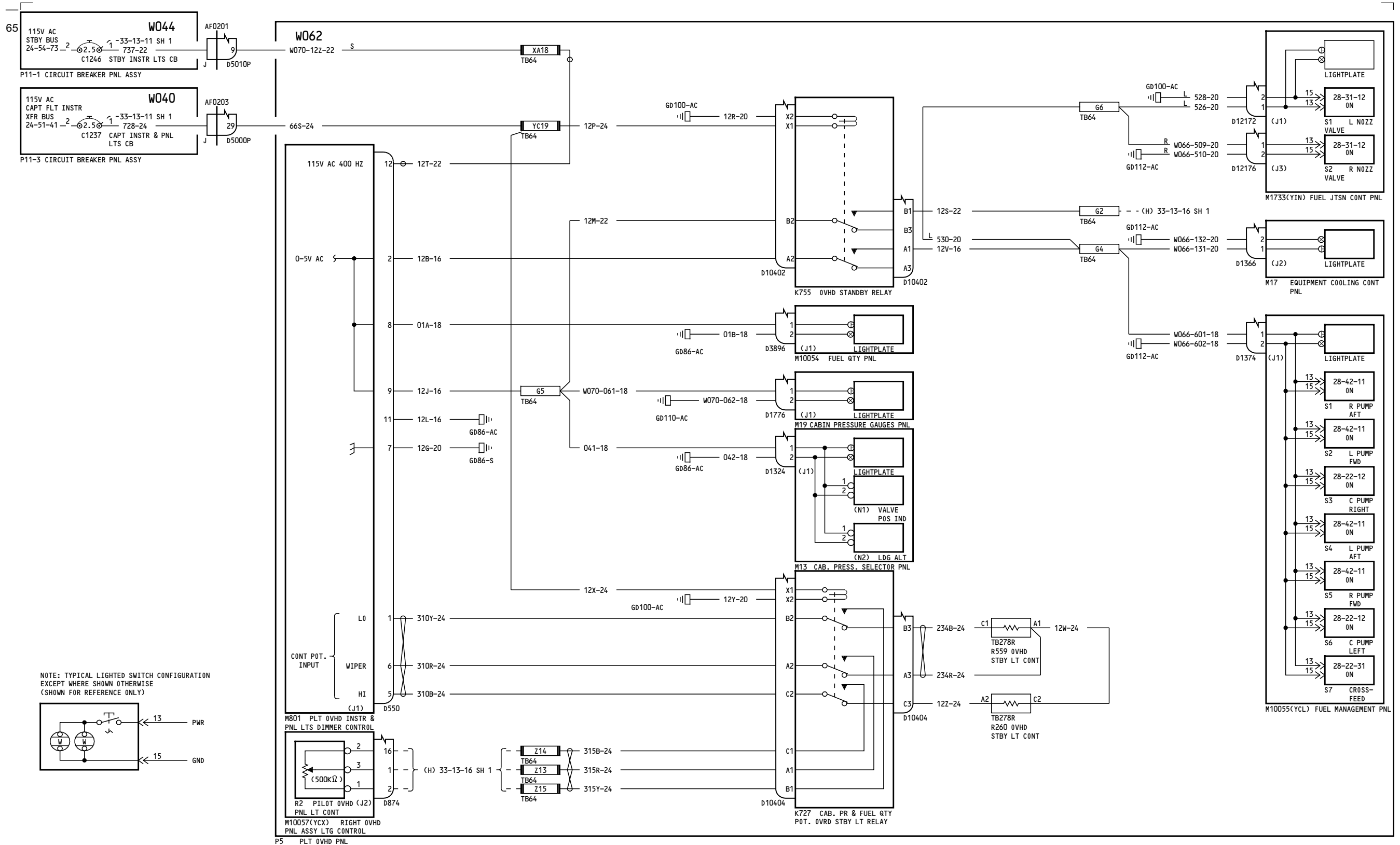
D280T132

33-13-16

Page 8.2A
 Sheet 3
 Mar 09/2006

33-13-16

Page 8.2A
 Sheet 3
 Mar 09/2006



163-165

**INSTRUMENT & PANEL LIGHTS
PILOTS-
OVERHEAD PANEL**

D280T132

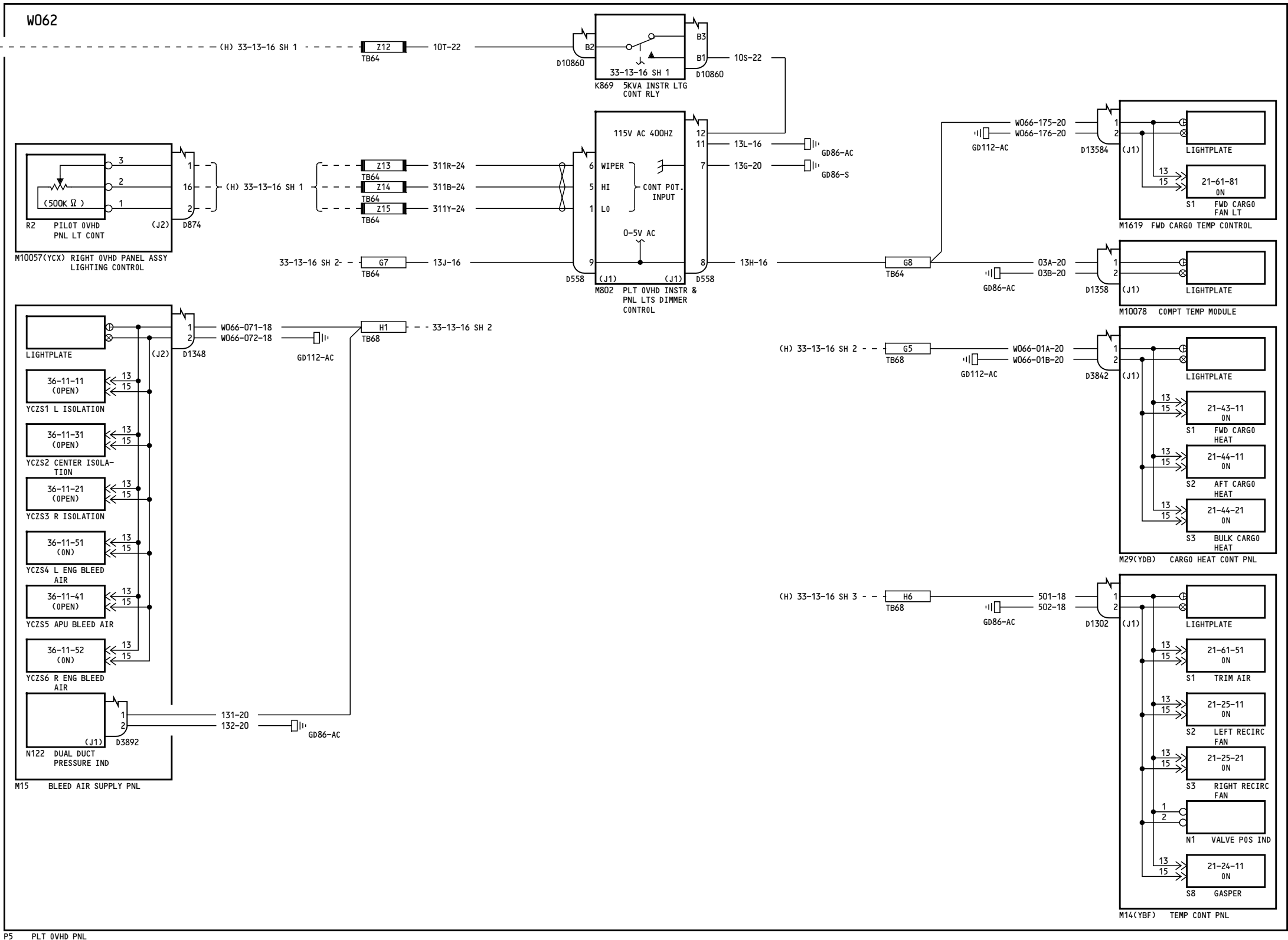
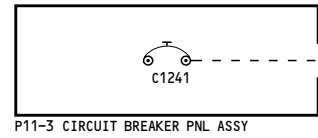
33-13-16

Page 8.2A
Sheet 4
Mar 09/2006

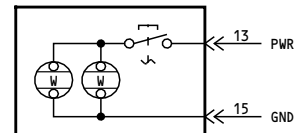
33-13-16

Page 8.2A
Sheet 4
Mar 09/2006

65



NOTES:
TYPICAL LIGHTED SWITCH CONFIGURATION EXCEPT WHERE SHOWN OTHERWISE (SHOWN FOR REFERENCE ONLY)



163-165

**INSTRUMENT & PANEL LIGHTS
PILOTS-
OVERHEAD PANEL**

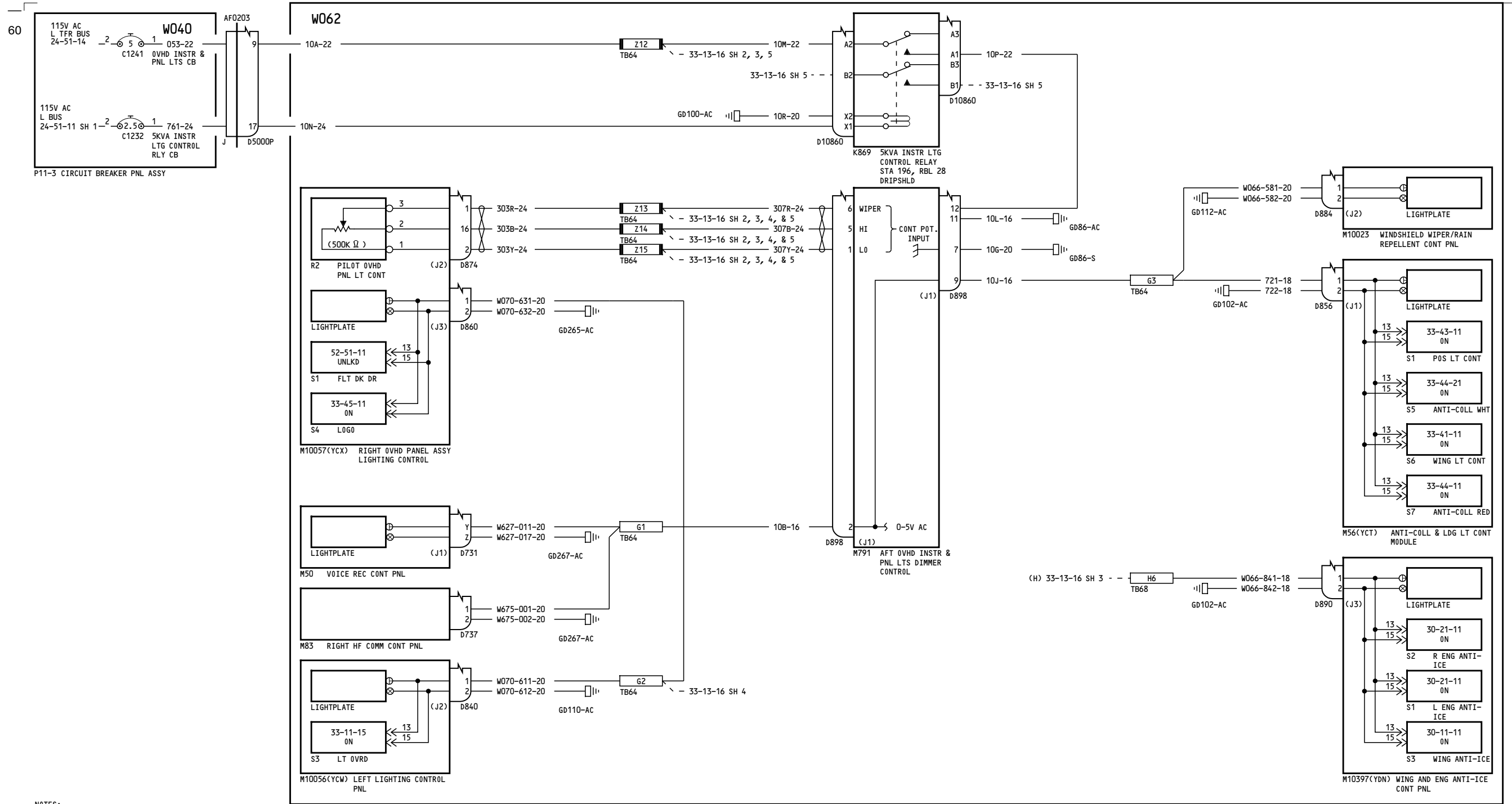
D280T132

33-13-16

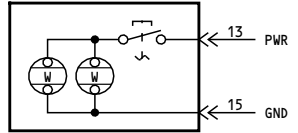
Page 8.2A
Sheet 5
Mar 09/2006

33-13-16

Page 8.2A
Sheet 5
Mar 09/2006



NOTES:
 TYPICAL LIGHTED SWITCH CONFIGURATION EXCEPT WHERE SHOWN OTHERWISE (SHOWN FOR REFERENCE ONLY)



275

**INSTRUMENT & PANEL LIGHTS
 PILOTS-
 OVERHEAD PANEL**

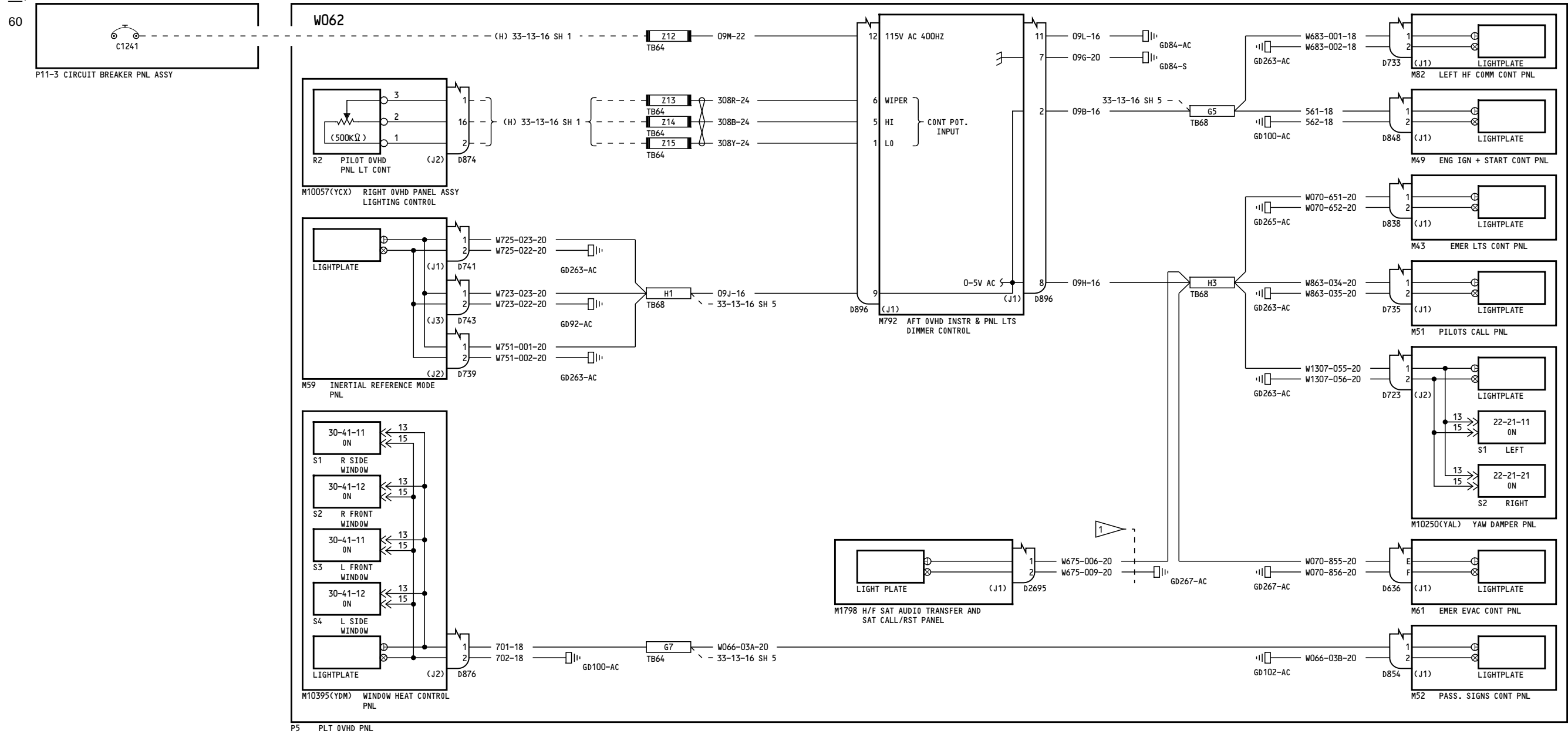
D280T132

33-13-16

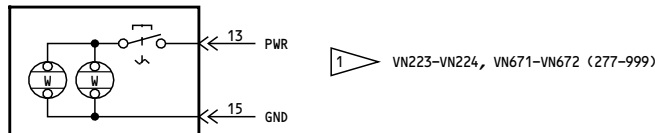
Page 9
 Sheet 1
 Mar 09/2006

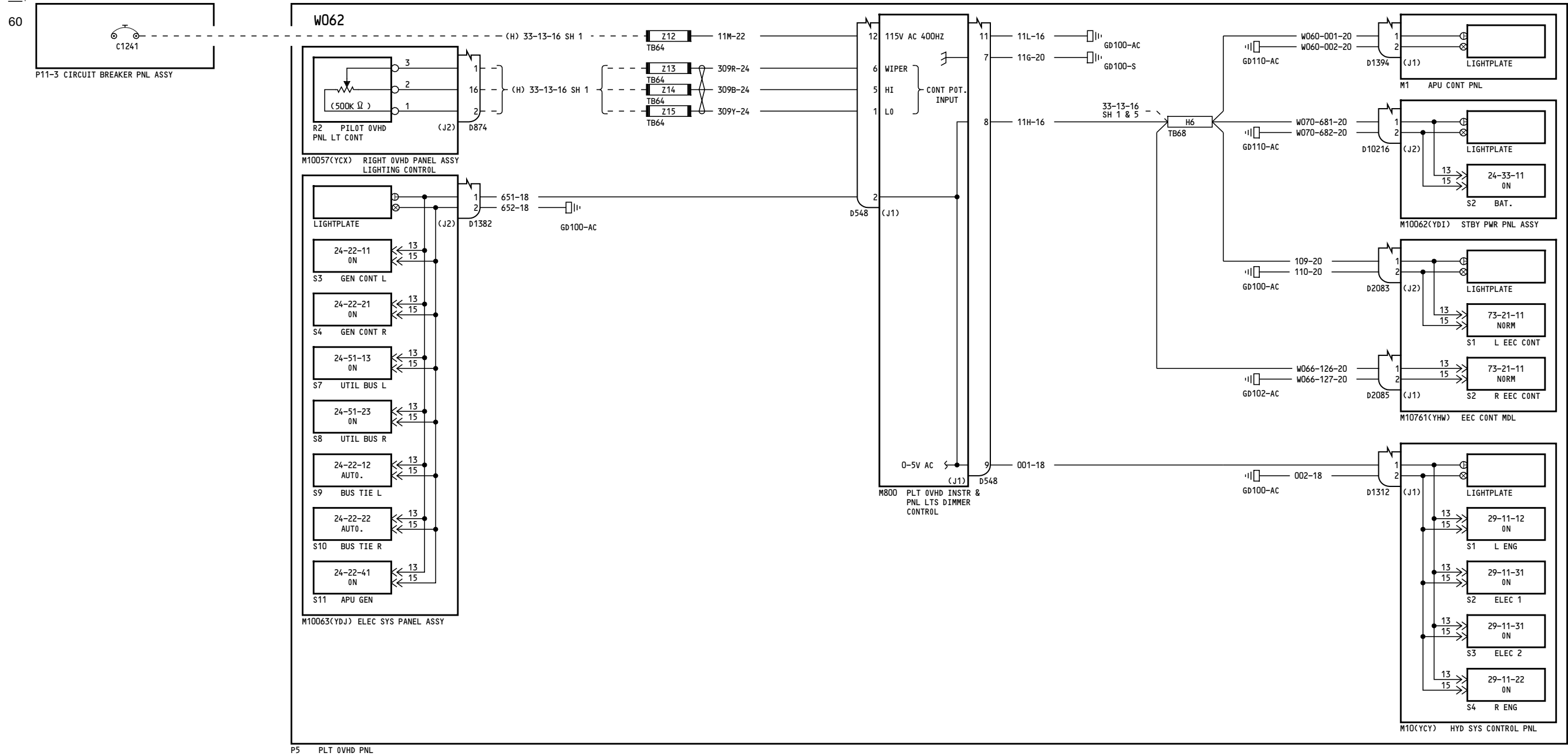
33-13-16

Page 9
 Sheet 1
 Mar 09/2006

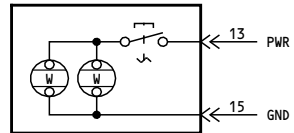


NOTES:
TYPICAL LIGHTED SWITCH CONFIGURATION EXCEPT WHERE SHOWN OTHERWISE (SHOWN FOR REFERENCE ONLY)





NOTES:
TYPICAL LIGHTED SWITCH CONFIGURATION EXCEPT WHERE SHOWN OTHERWISE (SHOWN FOR REFERENCE ONLY)



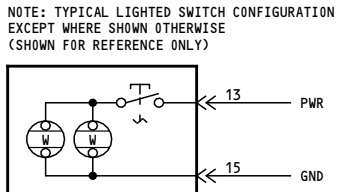
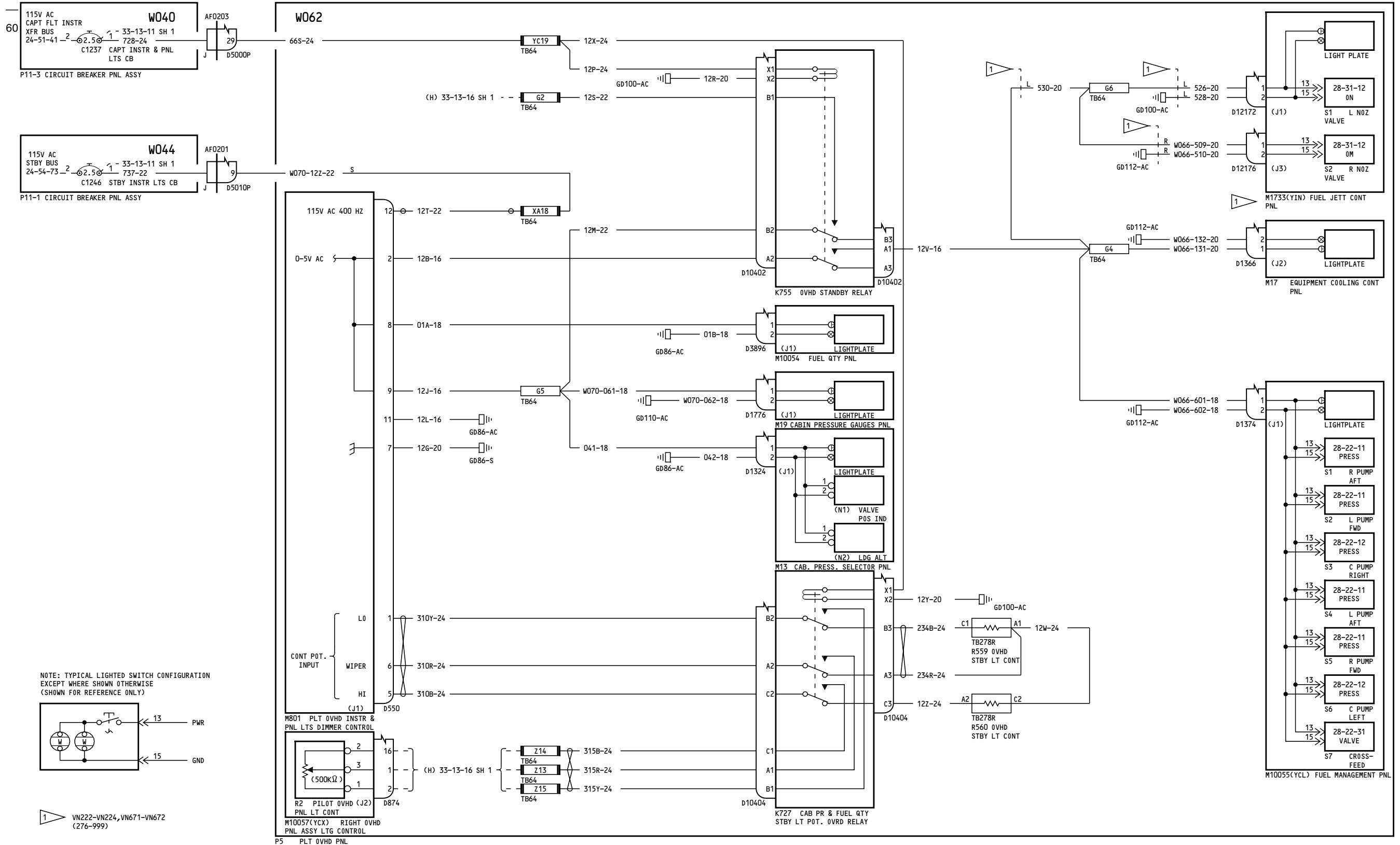
| | |
|----------|---------------------------------------------------------------------|
| 275 | INSTRUMENT & PANEL LIGHTS PILOTS- OVERHEAD PANEL |
| D280T132 | |

33-13-16

Page 9
Sheet 3
Mar 09/2006

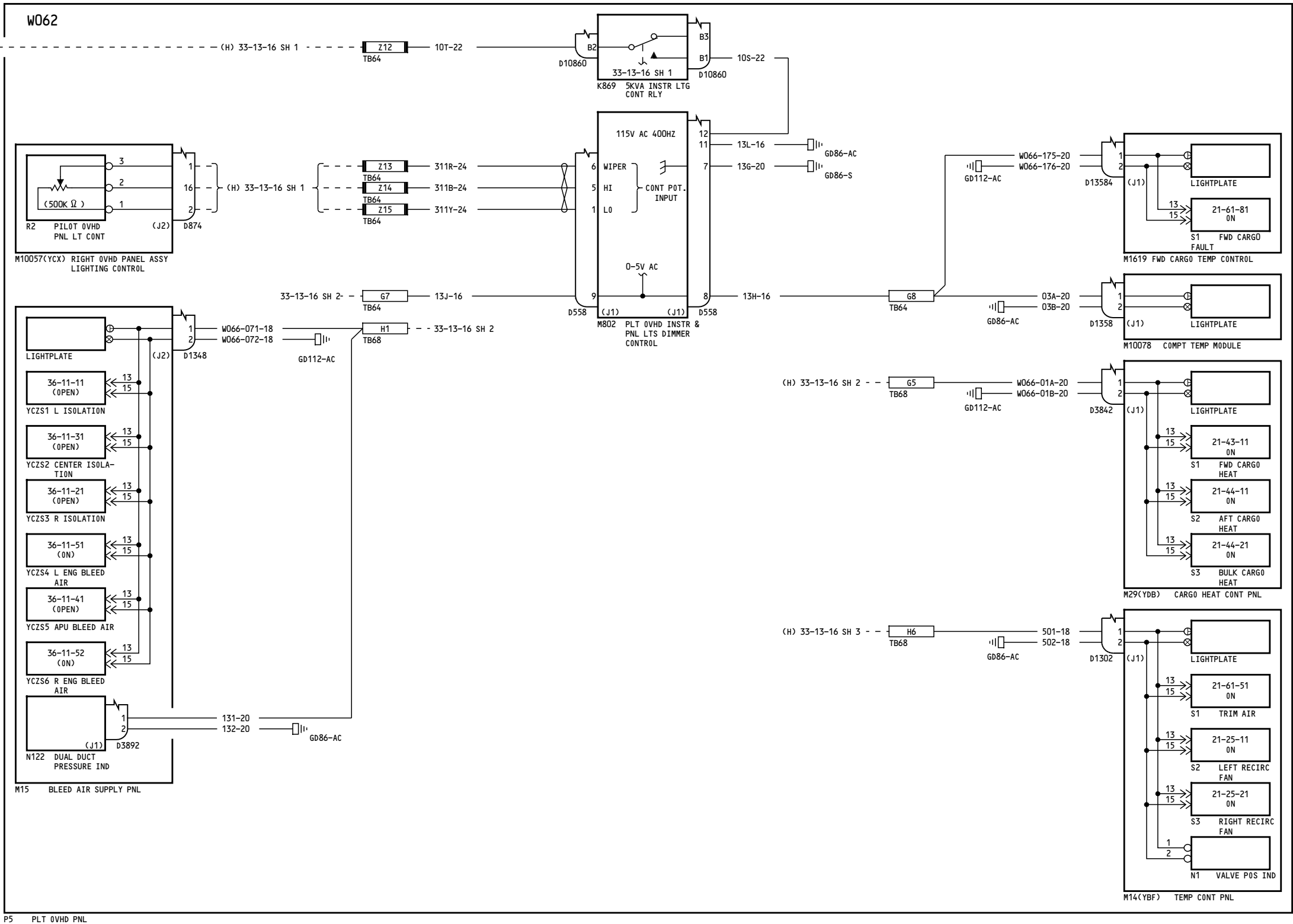
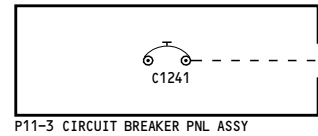
33-13-16

Page 9
Sheet 3
Mar 09/2006

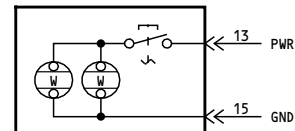


1 VN222-VN224, VN671-VN672 (276-999)

60



NOTES:
TYPICAL LIGHTED SWITCH CONFIGURATION EXCEPT WHERE SHOWN OTHERWISE (SHOWN FOR REFERENCE ONLY)



275

**INSTRUMENT & PANEL LIGHTS
PILOTS-
OVERHEAD PANEL**

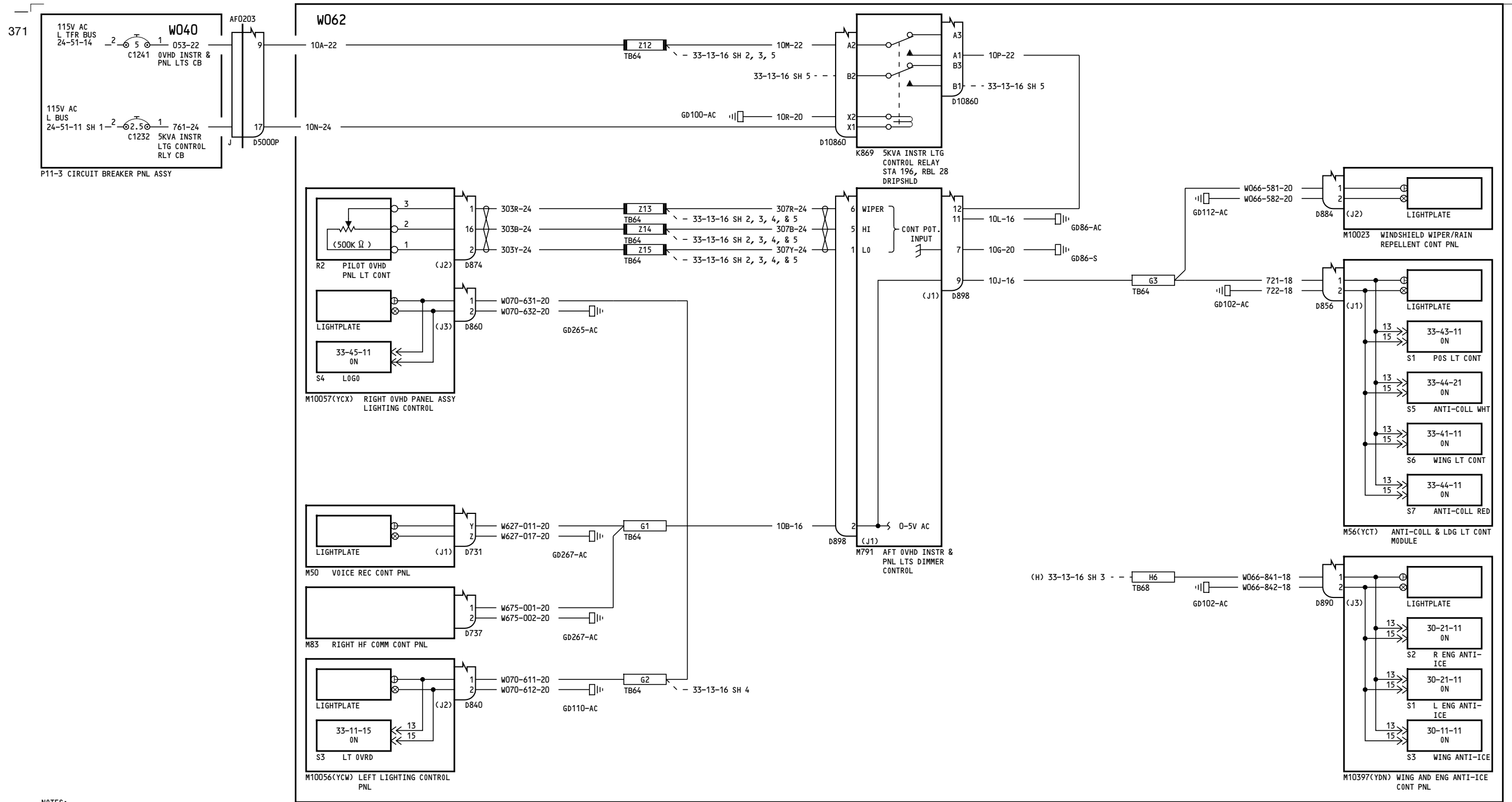
33-13-16

Page 9
Sheet 5
Mar 09/2006

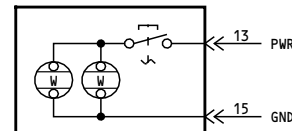
D280T132

33-13-16

Page 9
Sheet 5
Mar 09/2006



NOTES:
TYPICAL LIGHTED SWITCH CONFIGURATION EXCEPT WHERE SHOWN OTHERWISE (SHOWN FOR REFERENCE ONLY)



275

**INSTRUMENT & PANEL LIGHTS
PILOTS-
OVERHEAD PANEL**

D280T132

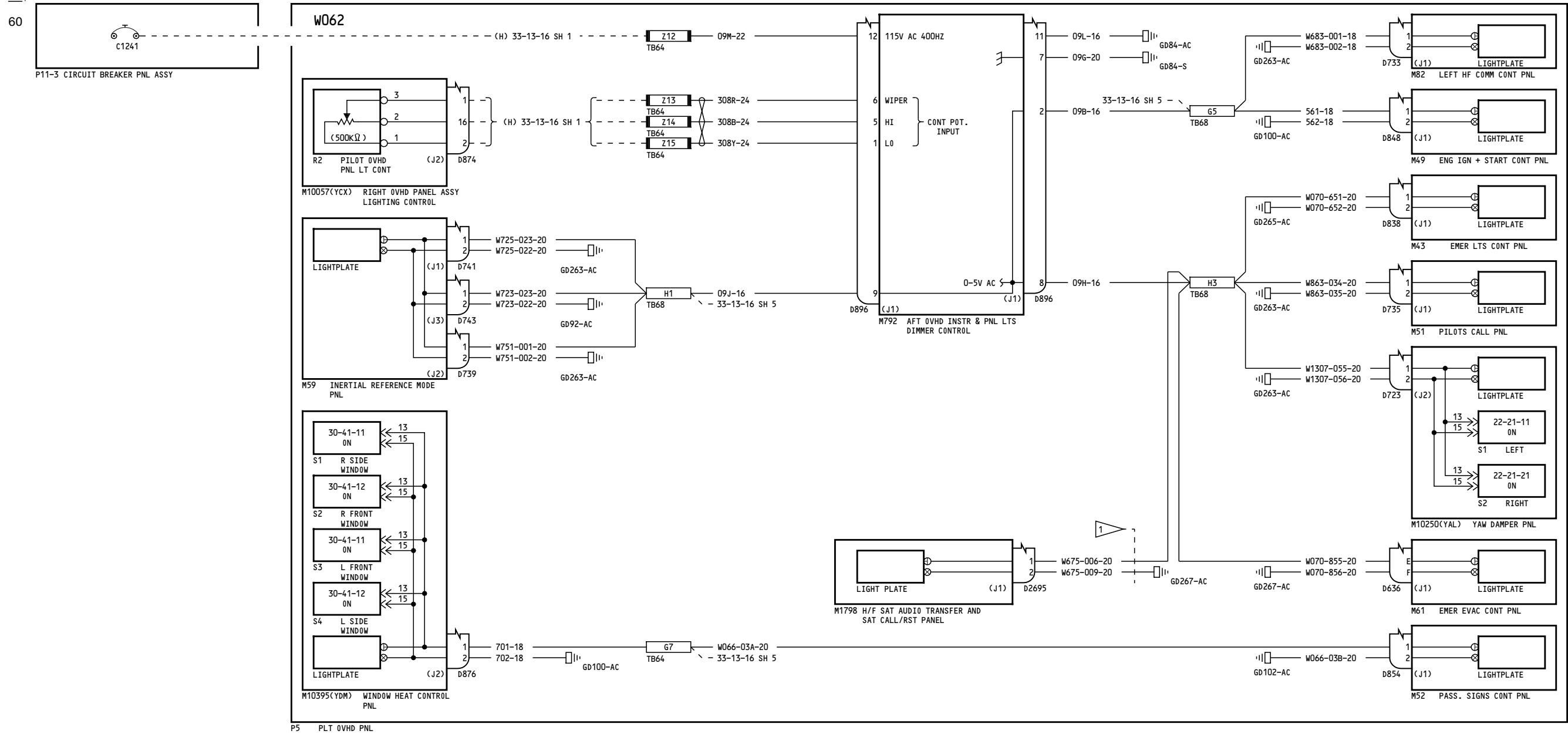
33-13-16

Page 9.1
Sheet 1
Mar 09/2006

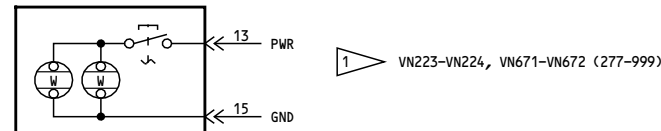
Incorporates
25-0332

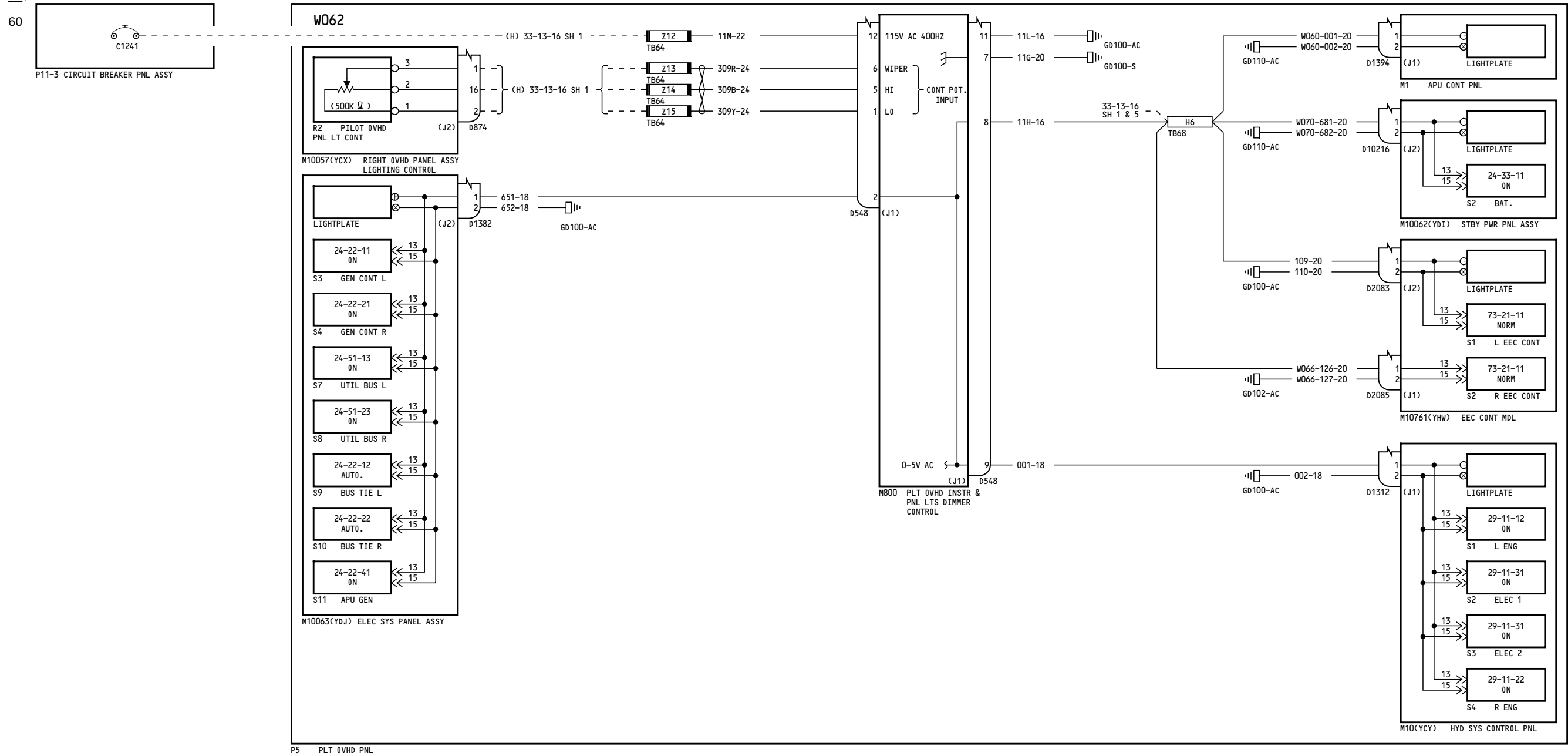
33-13-16

Page 9.1
Sheet 1
Mar 09/2006

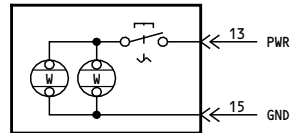


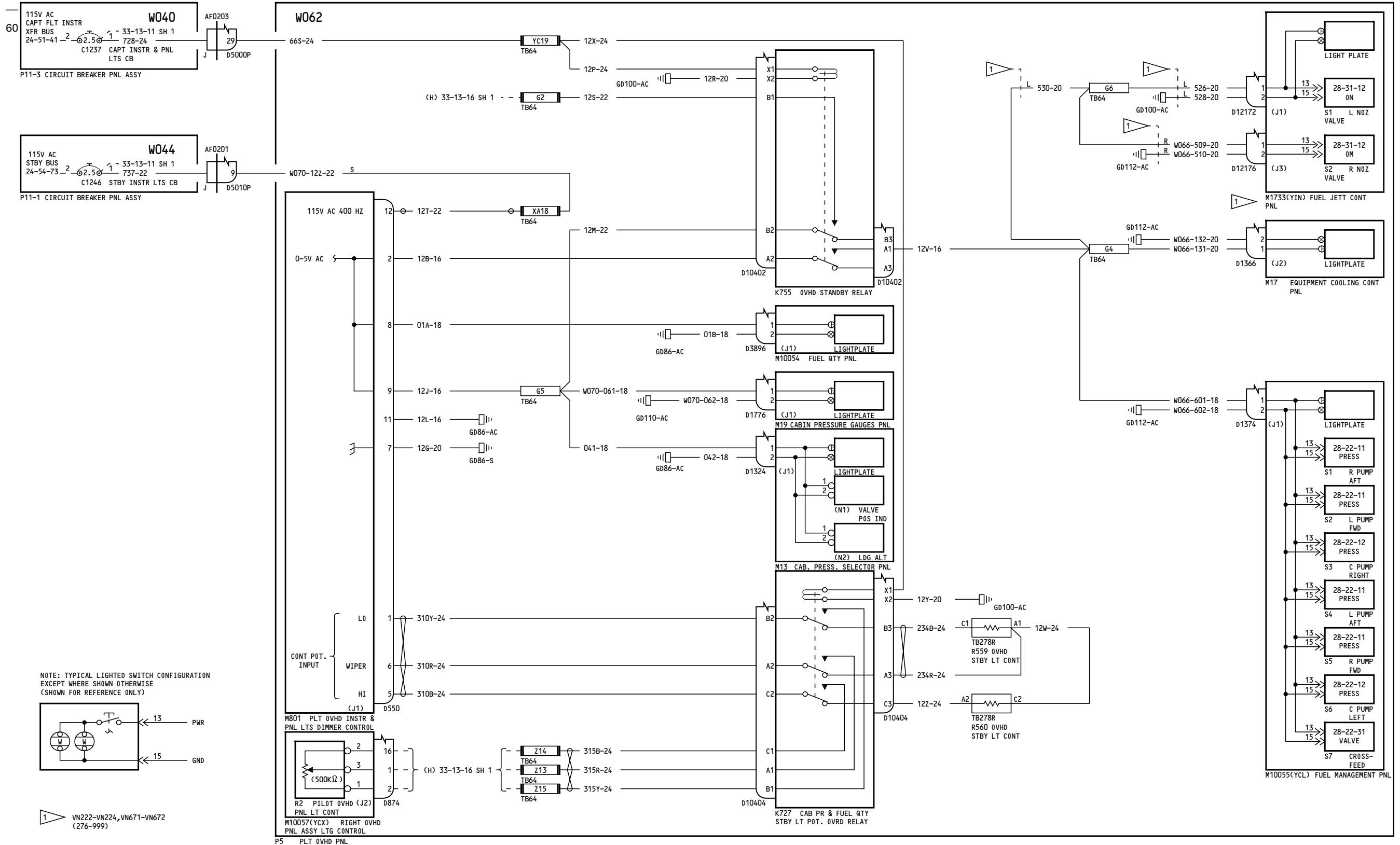
NOTES:
 TYPICAL LIGHTED SWITCH CONFIGURATION EXCEPT WHERE SHOWN OTHERWISE (SHOWN FOR REFERENCE ONLY)





NOTES:
TYPICAL LIGHTED SWITCH CONFIGURATION EXCEPT WHERE SHOWN OTHERWISE (SHOWN FOR REFERENCE ONLY)



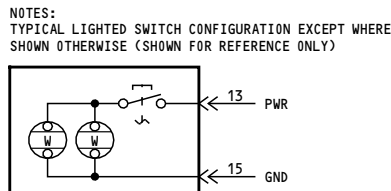
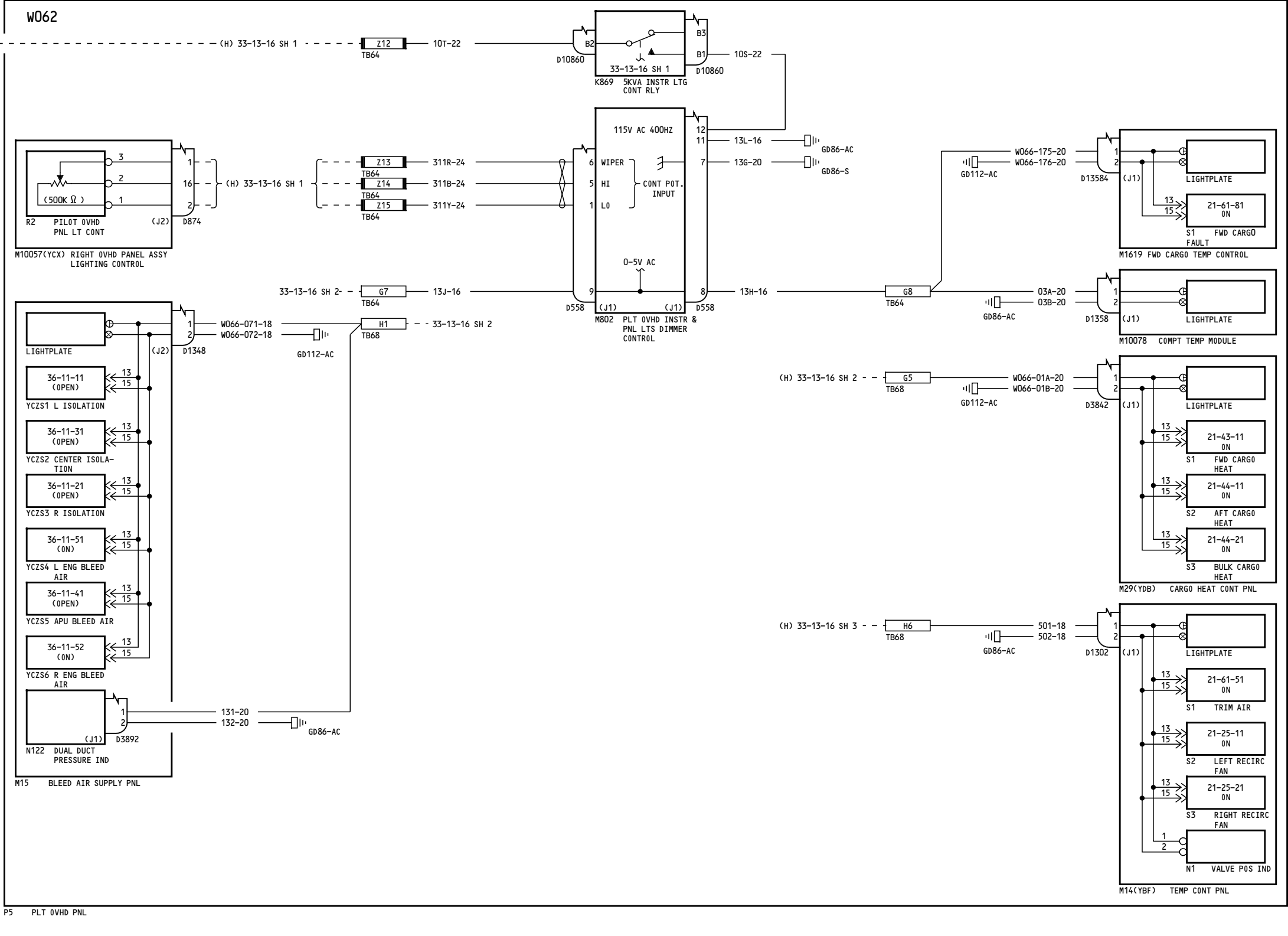
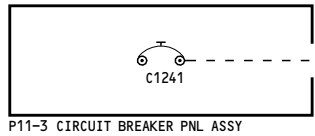


**INSTRUMENT & PANEL LIGHTS
PILOTS-
OVERHEAD PANEL**

33-13-16

33-13-16

60



275

**INSTRUMENT & PANEL LIGHTS
PILOTS-
OVERHEAD PANEL**

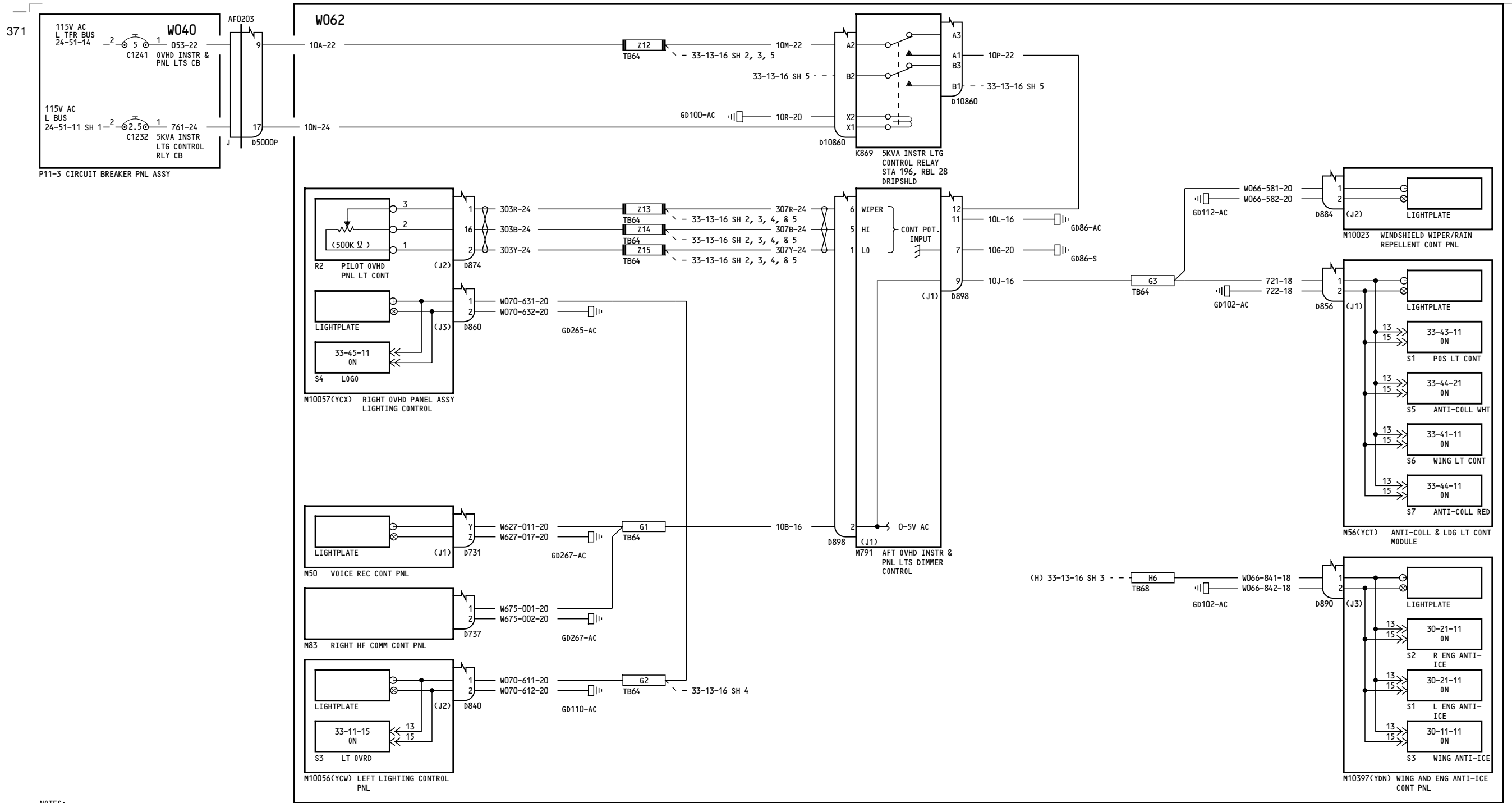
D280T132

33-13-16

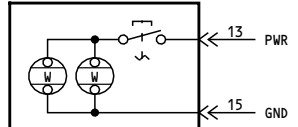
Page 9.1
Sheet 5
Mar 09/2006

33-13-16

Page 9.1
Sheet 5
Mar 09/2006



NOTES:
TYPICAL LIGHTED SWITCH CONFIGURATION EXCEPT WHERE SHOWN OTHERWISE (SHOWN FOR REFERENCE ONLY)



276-280

**INSTRUMENT & PANEL LIGHTS
PILOTS-
OVERHEAD PANEL**

D280T132

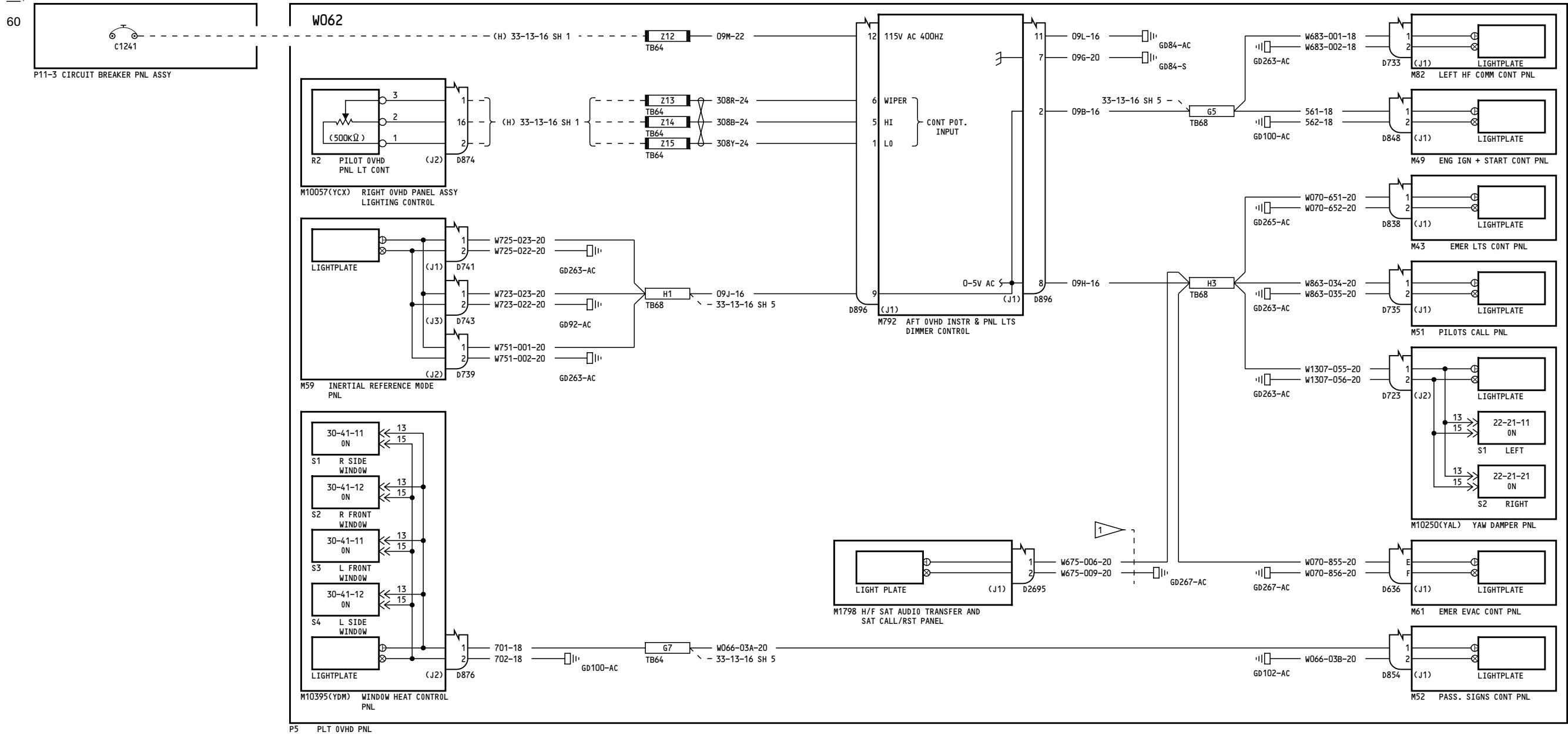
33-13-16

Page 10.1
Sheet 1
Mar 09/2006

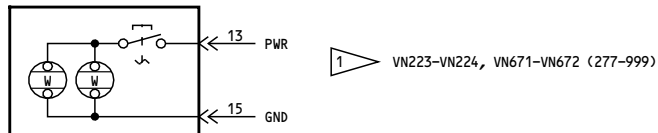
Incorporates
25-0325

33-13-16

Page 10.1
Sheet 1
Mar 09/2006



NOTES:
TYPICAL LIGHTED SWITCH CONFIGURATION EXCEPT WHERE SHOWN OTHERWISE (SHOWN FOR REFERENCE ONLY)



276-280

**INSTRUMENT & PANEL LIGHTS
PILOTS-
OVERHEAD PANEL**

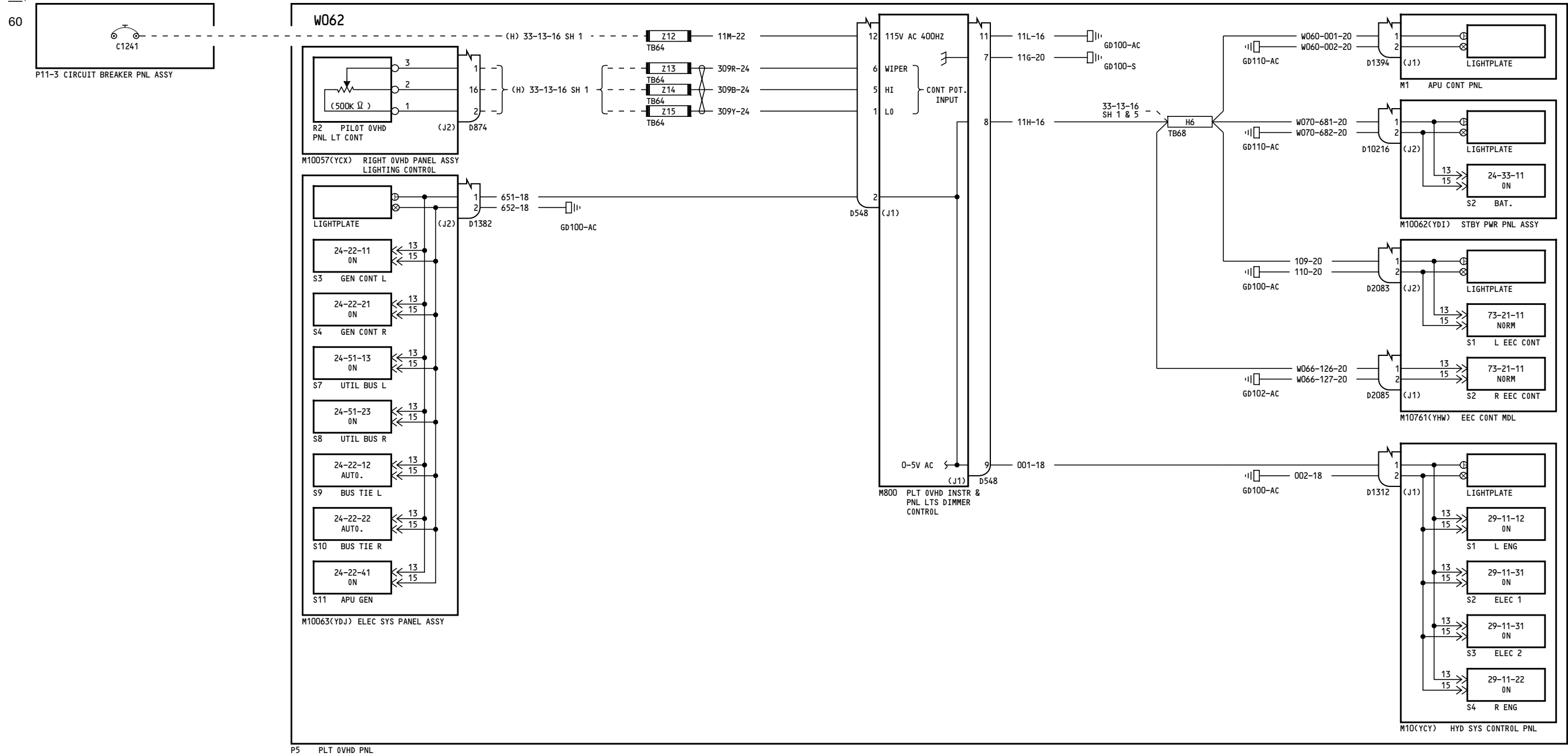
D280T132

33-13-16

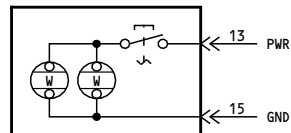
Page 10.1
Sheet 2
Mar 09/2006

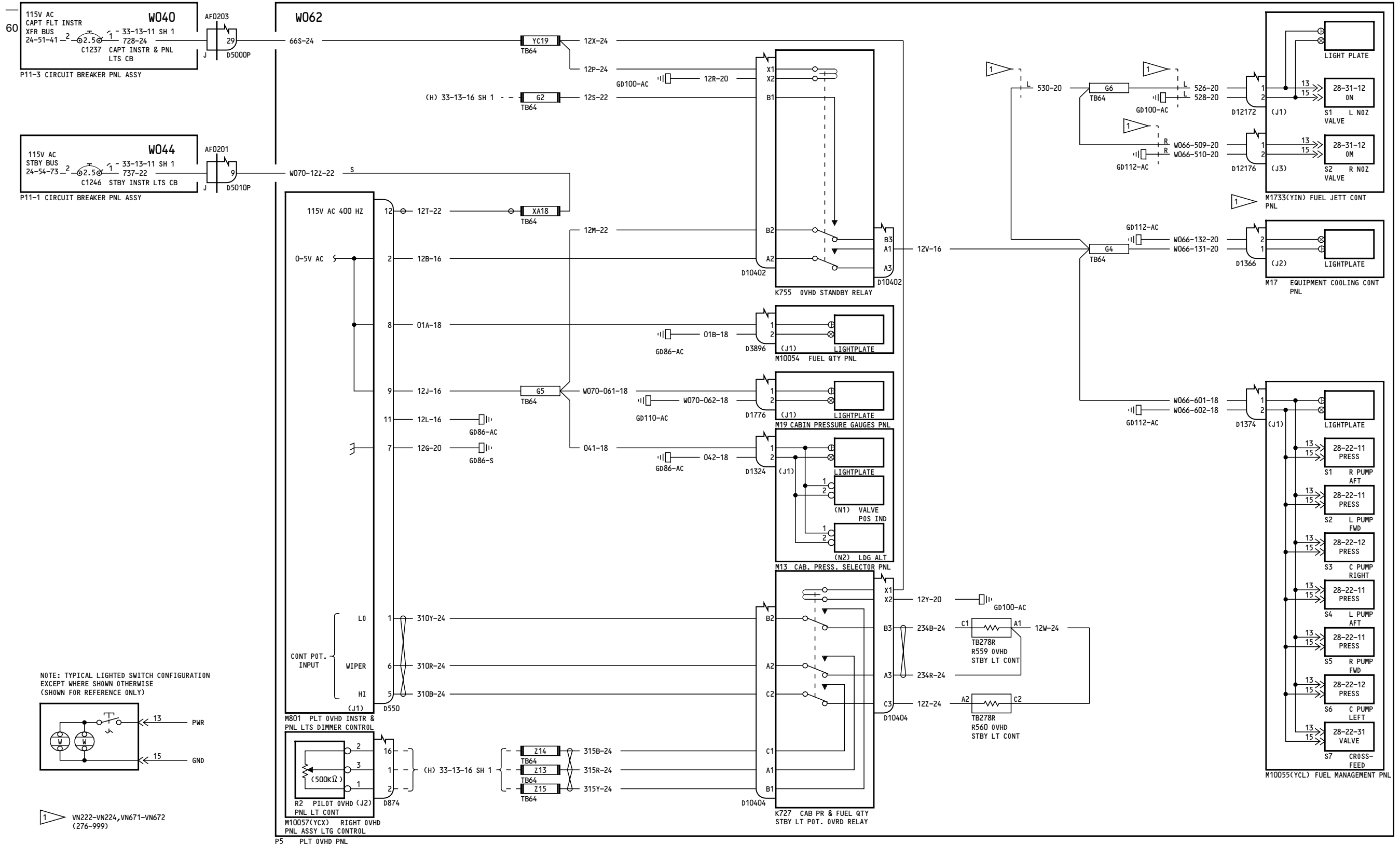
33-13-16

Page 10.1
Sheet 2
Mar 09/2006



NOTES:
TYPICAL LIGHTED SWITCH CONFIGURATION EXCEPT WHERE SHOWN OTHERWISE (SHOWN FOR REFERENCE ONLY)





276-280

**INSTRUMENT & PANEL LIGHTS
PILOTS-
OVERHEAD PANEL**

D280T132

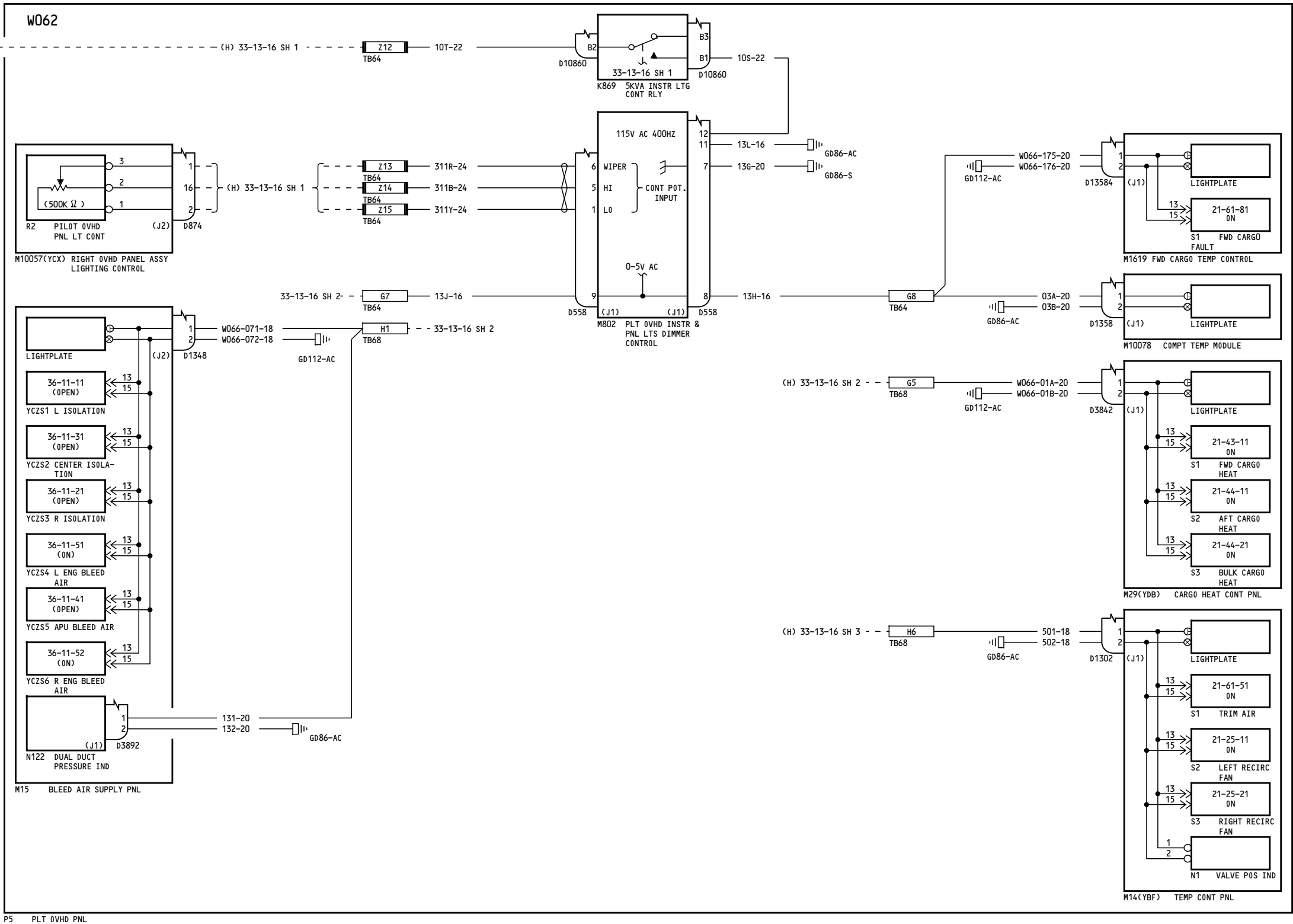
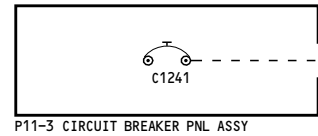
33-13-16

Page 10.1
Sheet 4
Mar 09/2006

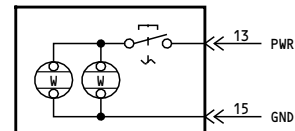
33-13-16

Page 10.1
Sheet 4
Mar 09/2006

60



NOTES:
TYPICAL LIGHTED SWITCH CONFIGURATION EXCEPT WHERE SHOWN OTHERWISE (SHOWN FOR REFERENCE ONLY)



276-280

**INSTRUMENT & PANEL LIGHTS
PILOTS-
OVERHEAD PANEL**

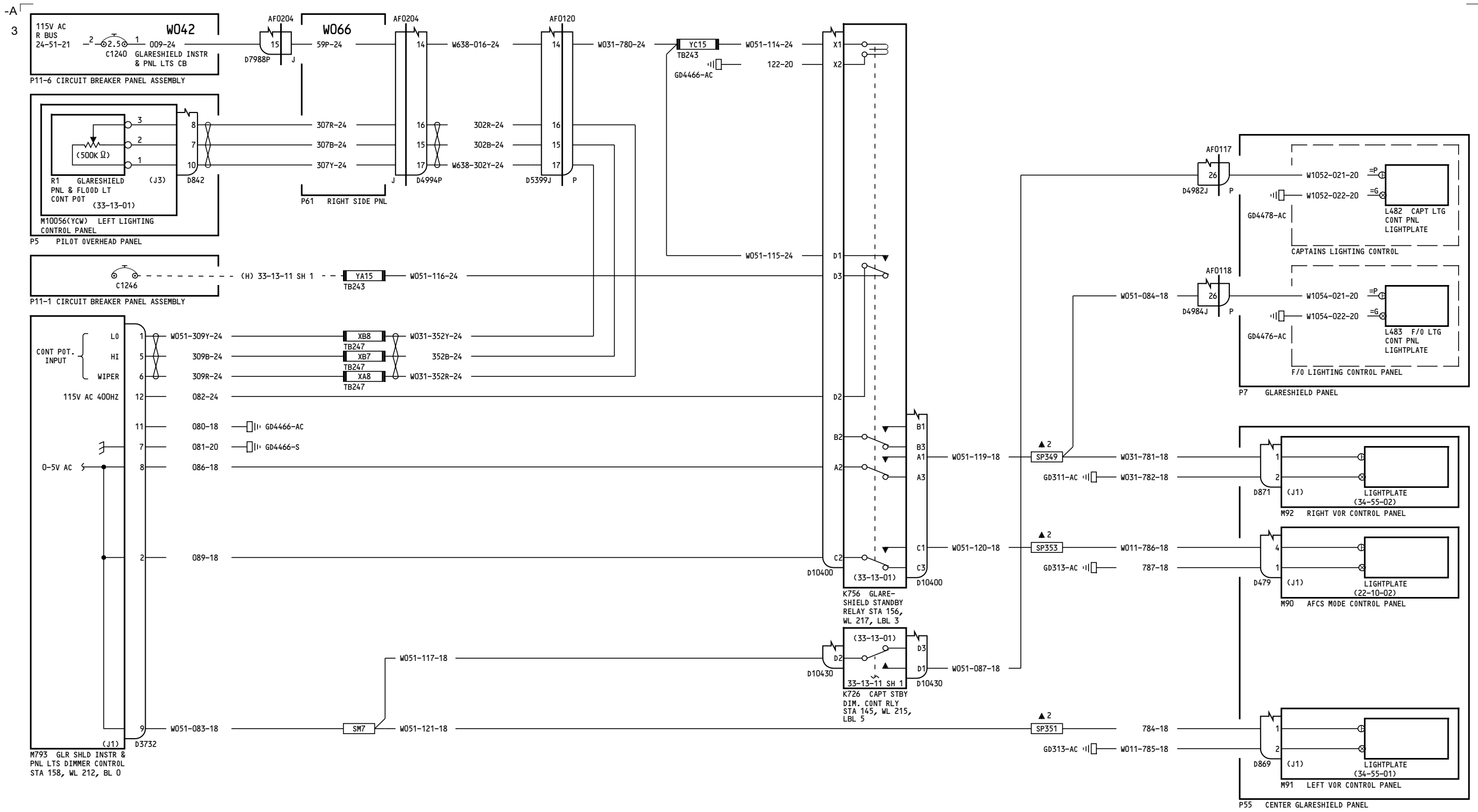
D280T132

33-13-16

Page 10.1
Sheet 5
Mar 09/2006

33-13-16

Page 10.1
Sheet 5
Mar 09/2006



ALL

INSTRUMENT & PANEL LIGHTS
GLARESHIELD

33-13-17

Page 1

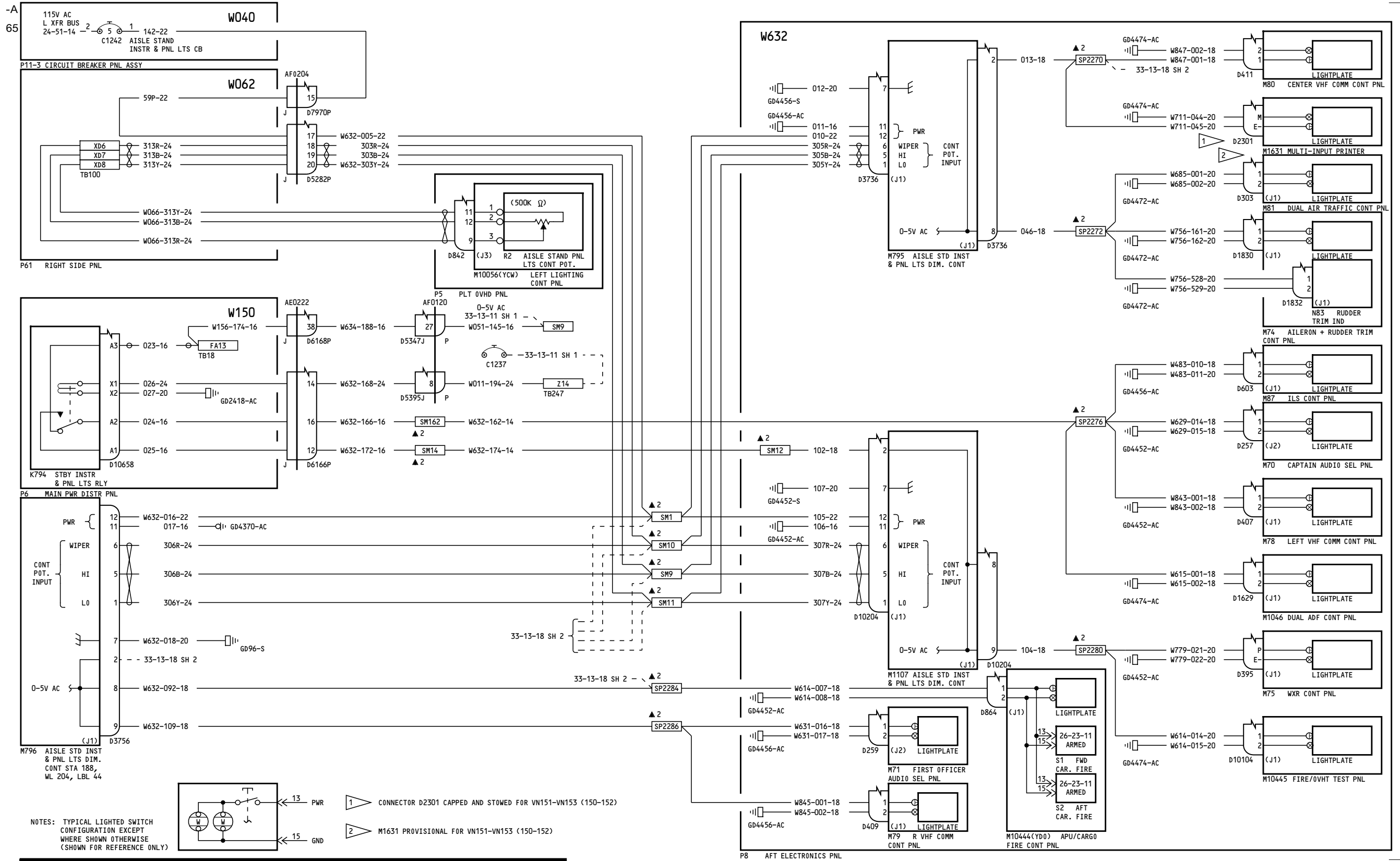
Jan 21/2005

D280T132

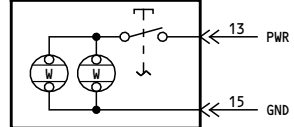
33-13-17

Page 1

Jan 21/2005



NOTES: TYPICAL LIGHTED SWITCH CONFIGURATION EXCEPT WHERE SHOWN OTHERWISE (SHOWN FOR REFERENCE ONLY)



1 CONNECTOR D2301 CAPPED AND STOWED FOR VN151-VN153 (150-152)
 2 M1631 PROVISIONAL FOR VN151-VN153 (150-152)

050-099, 151

INSTRUMENT & PANEL LIGHTS AISLE STAND

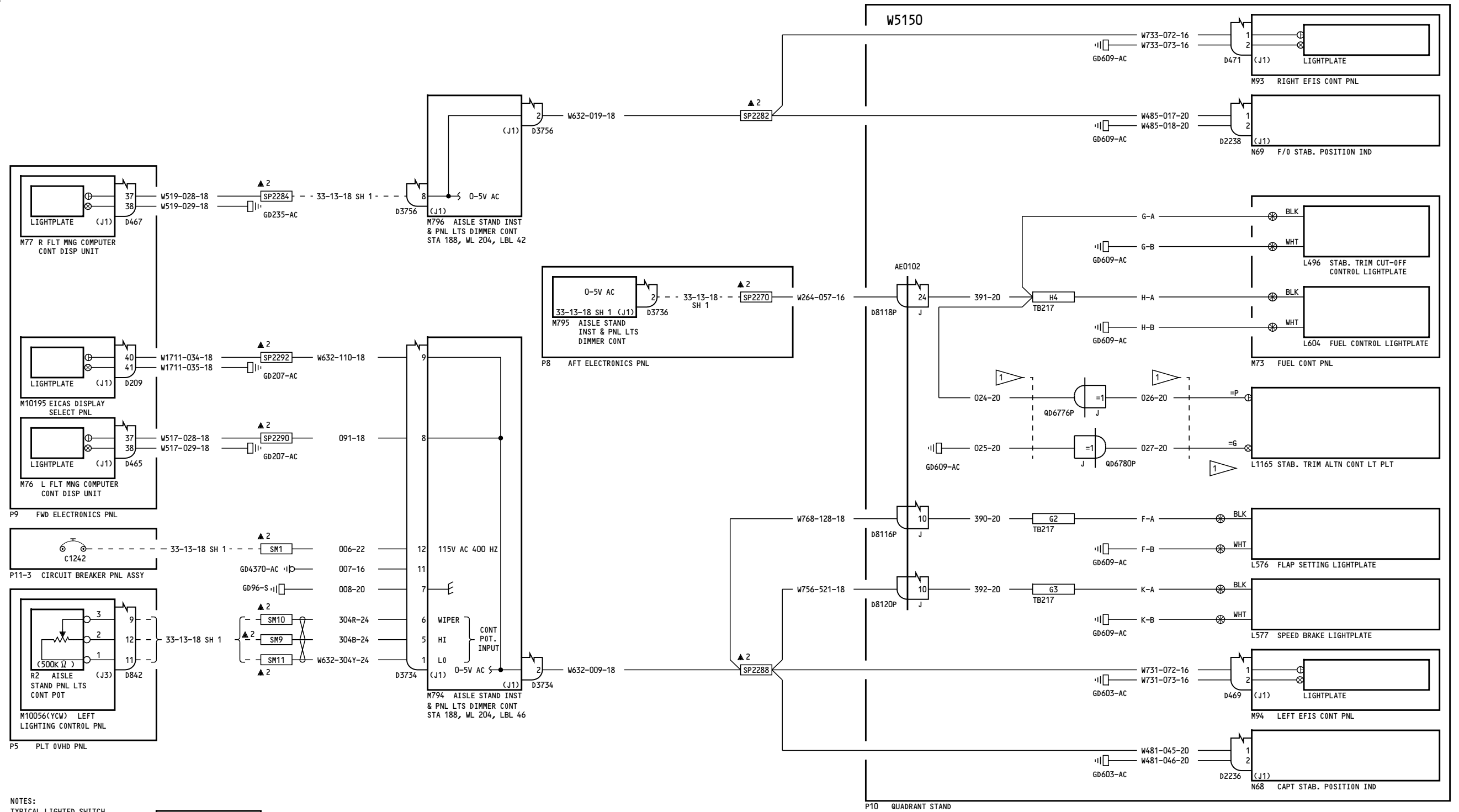
D280T132

33-13-18

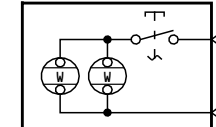
Page 1
 Sheet 1
 Jan 21/2005

33-13-18

Page 1
 Sheet 1
 Jan 21/2005



NOTES:
 TYPICAL LIGHTED SWITCH
 CONFIGURATION EXCEPT
 WHERE SHOWN OTHERWISE
 (SHOWN FOR REFERENCE ONLY)



L1165 NOT EFFECTIVE FOR VN151-VN155 (150-154)

050-099, 151

**INSTRUMENT & PANEL LIGHTS
 AISLE STAND**

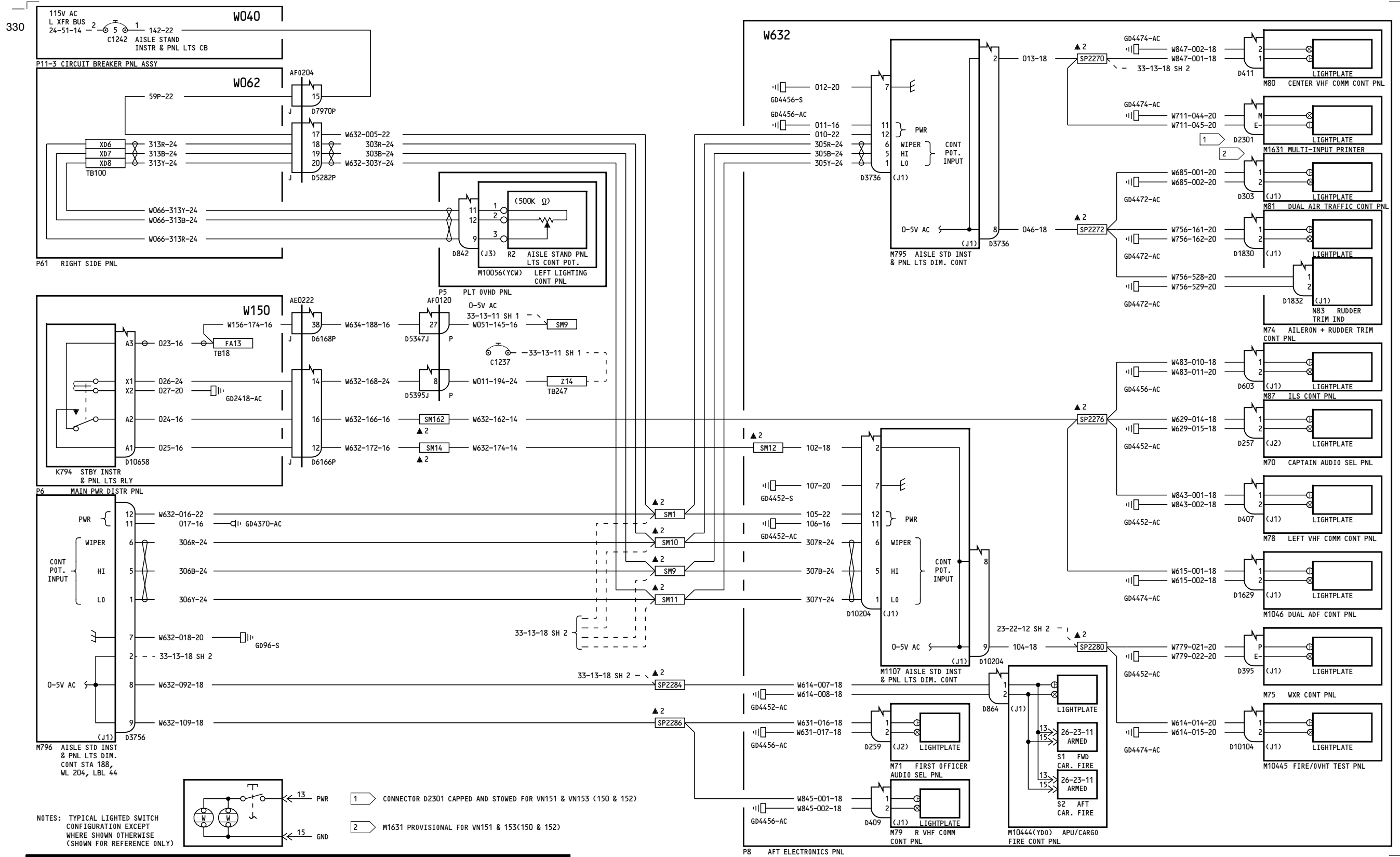
D280T132

33-13-18

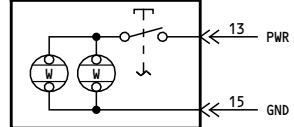
Page 1
 Sheet 2
 Jan 21/2005

33-13-18

Page 1
 Sheet 2
 Jan 21/2005



NOTES: TYPICAL LIGHTED SWITCH CONFIGURATION EXCEPT WHERE SHOWN OTHERWISE (SHOWN FOR REFERENCE ONLY)



- 1 CONNECTOR D2301 CAPPED AND STOWED FOR VN151 & VN153 (150 & 152)
- 2 M1631 PROVISIONAL FOR VN151 & 153(150 & 152)

150, 152-155, 162-165

INSTRUMENT & PANEL LIGHTS AISLE STAND

D280T132

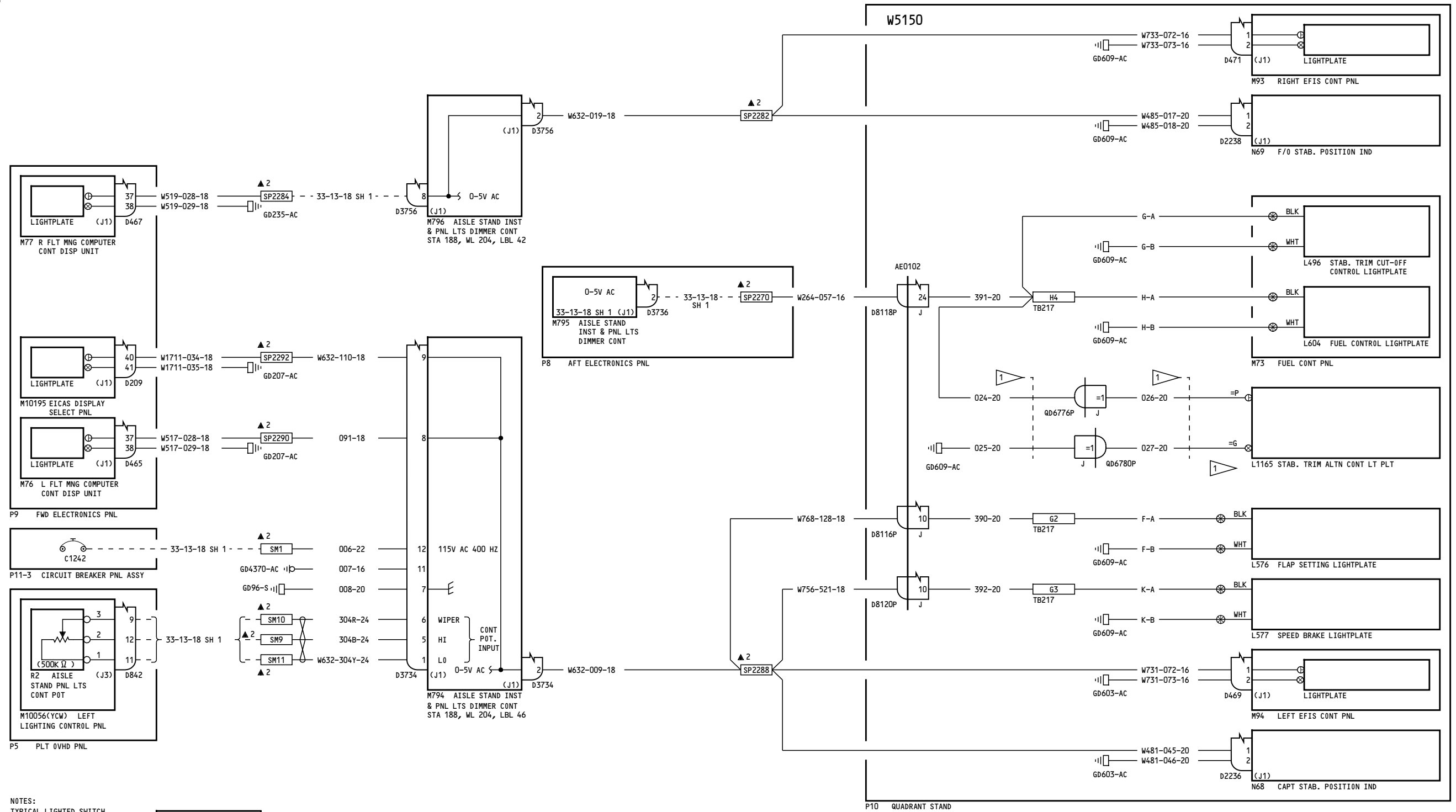
33-13-18

Page 2A
Sheet 1
Jan 21/2005

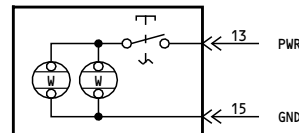
Incorporates
MTO-230607

33-13-18

Page 2A
Sheet 1
Jan 21/2005



NOTES:
 TYPICAL LIGHTED SWITCH
 CONFIGURATION EXCEPT
 WHERE SHOWN OTHERWISE
 (SHOWN FOR REFERENCE ONLY)



L1165 NOT EFFECTIVE FOR VN151-VN155 (150-154)

150, 152-155, 162-165

**INSTRUMENT & PANEL LIGHTS
 AISLE STAND**

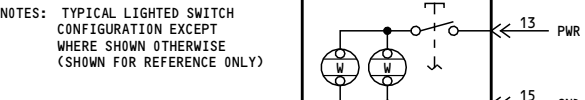
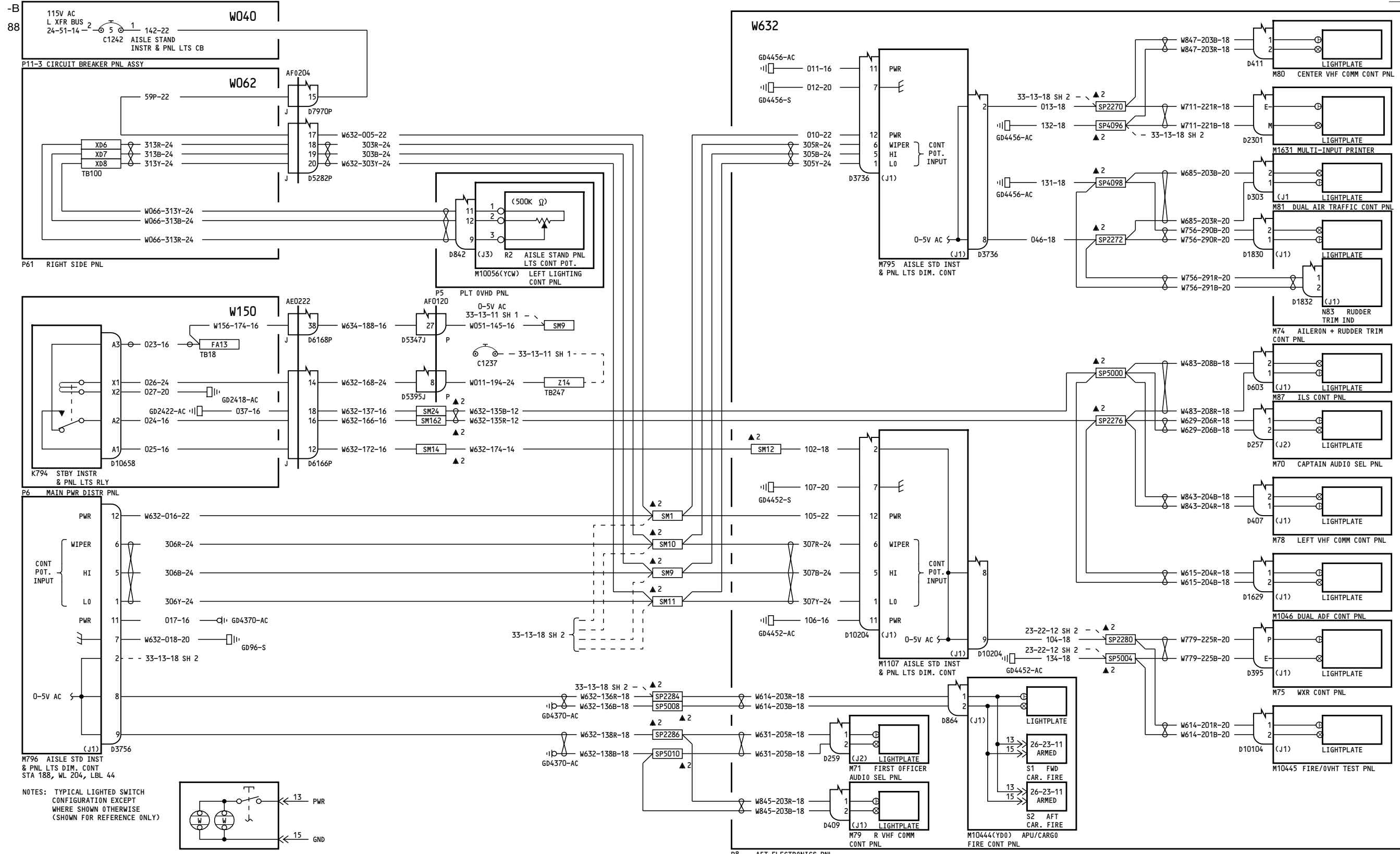
D280T132

33-13-18

Page 2A
 Sheet 2
 Jan 21/2005

33-13-18

Page 2A
 Sheet 2
 Jan 21/2005



156-157, 166-167

INSTRUMENT & PANEL LIGHTS AISLE STAND

D280T132

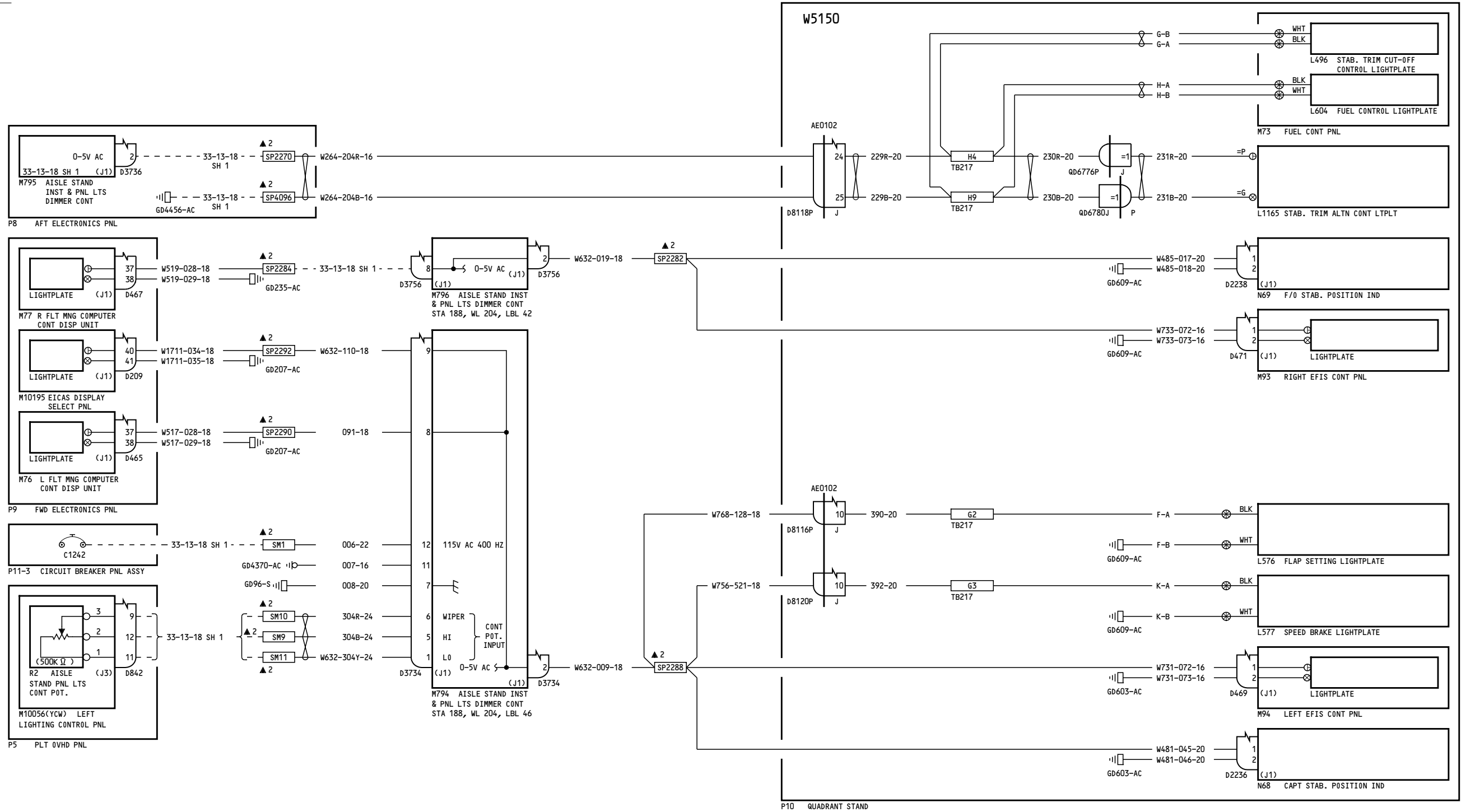
Incorporates
MTO-230607

33-13-18

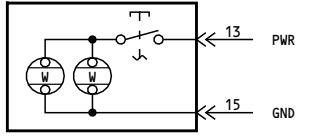
Page 3A
Sheet 1
Jan 21/2005

33-13-18

Page 3A
Sheet 1
Jan 21/2005



NOTES:
 TYPICAL LIGHTED SWITCH
 CONFIGURATION EXCEPT
 WHERE SHOWN OTHERWISE
 (SHOWN FOR REFERENCE ONLY)



156-157, 166-167

**INSTRUMENT & PANEL LIGHTS
AISLE STAND**

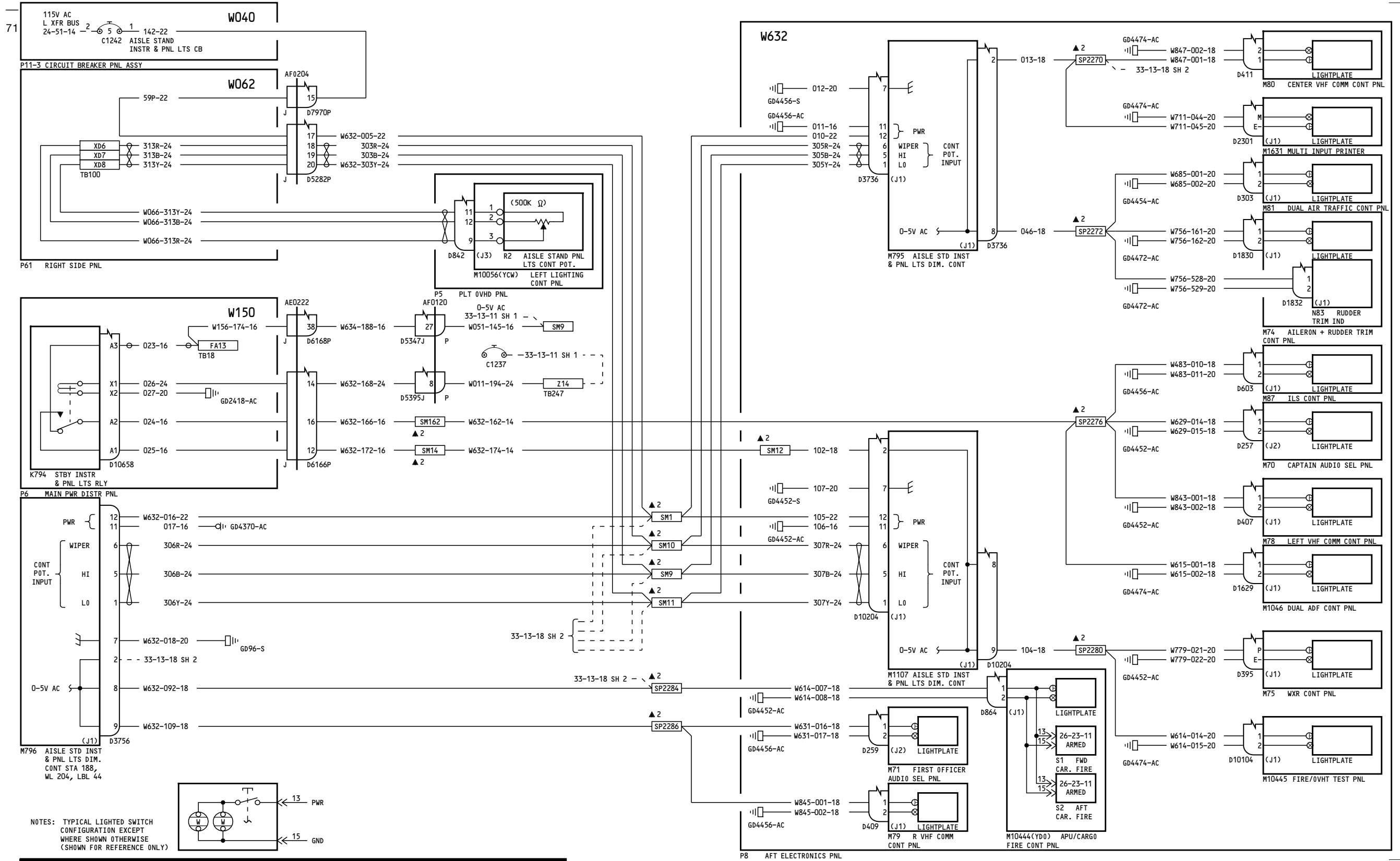
33-13-18

Page 3A
Sheet 2
Jan 21/2005

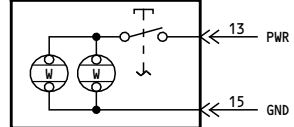
D280T132

33-13-18

Page 3A
Sheet 2
Jan 21/2005



NOTES: TYPICAL LIGHTED SWITCH CONFIGURATION EXCEPT WHERE SHOWN OTHERWISE (SHOWN FOR REFERENCE ONLY)



275-276

INSTRUMENT & PANEL LIGHTS AISLE STAND

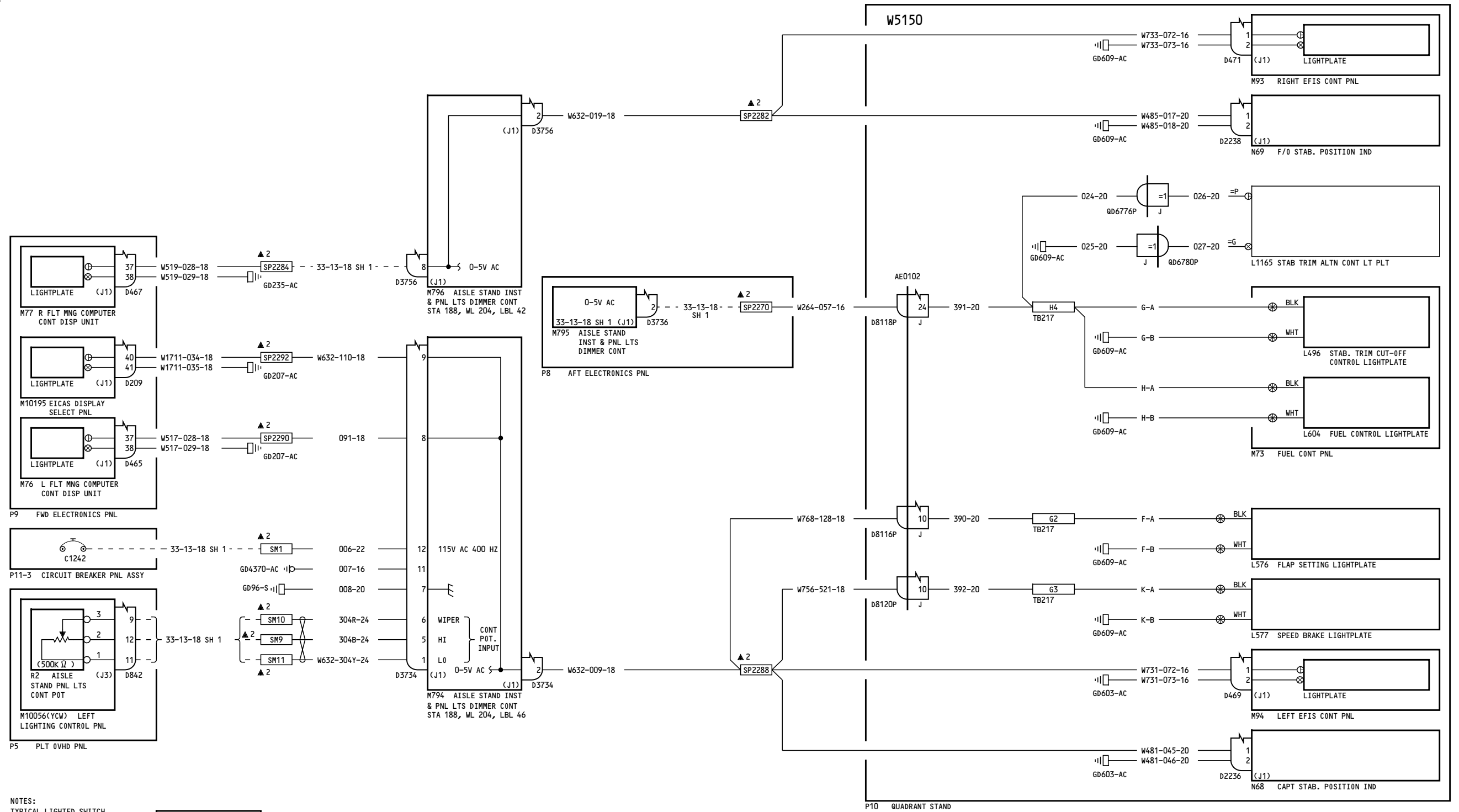
33-13-18

Page 4
Sheet 1
Jan 21/2005

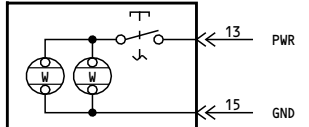
D280T132

33-13-18

Page 4
Sheet 1
Jan 21/2005



NOTES:
 TYPICAL LIGHTED SWITCH
 CONFIGURATION EXCEPT
 WHERE SHOWN OTHERWISE
 (SHOWN FOR REFERENCE ONLY)



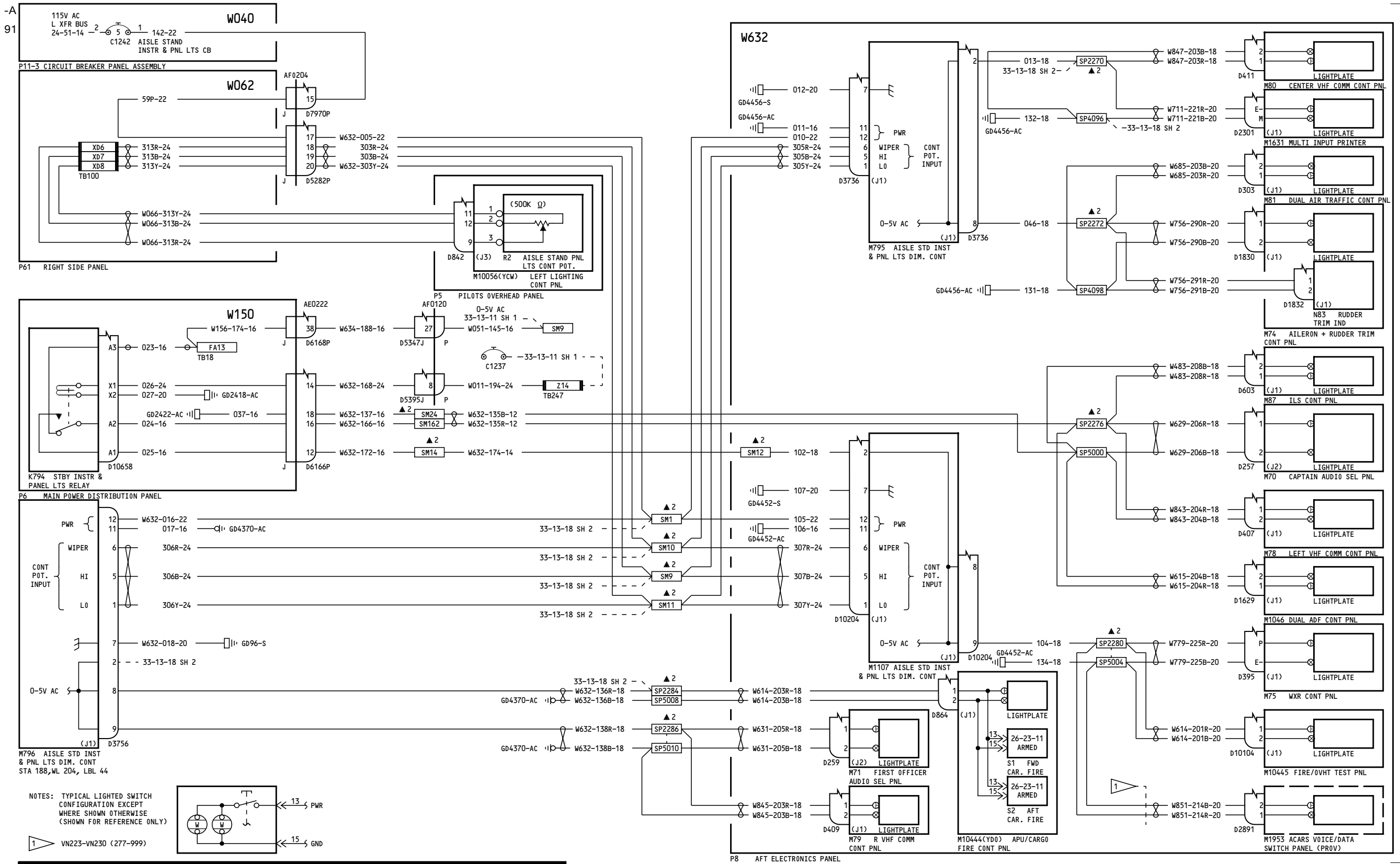
| | |
|---------|-----------------------------------------------------------------------------|
| 275-276 | <p>INSTRUMENT & PANEL LIGHTS AISLE STAND</p> <p>D280T132</p> |
|---------|-----------------------------------------------------------------------------|

33-13-18

Page 4
 Sheet 2
 Jan 21/2005

33-13-18

Page 4
 Sheet 2
 Jan 21/2005



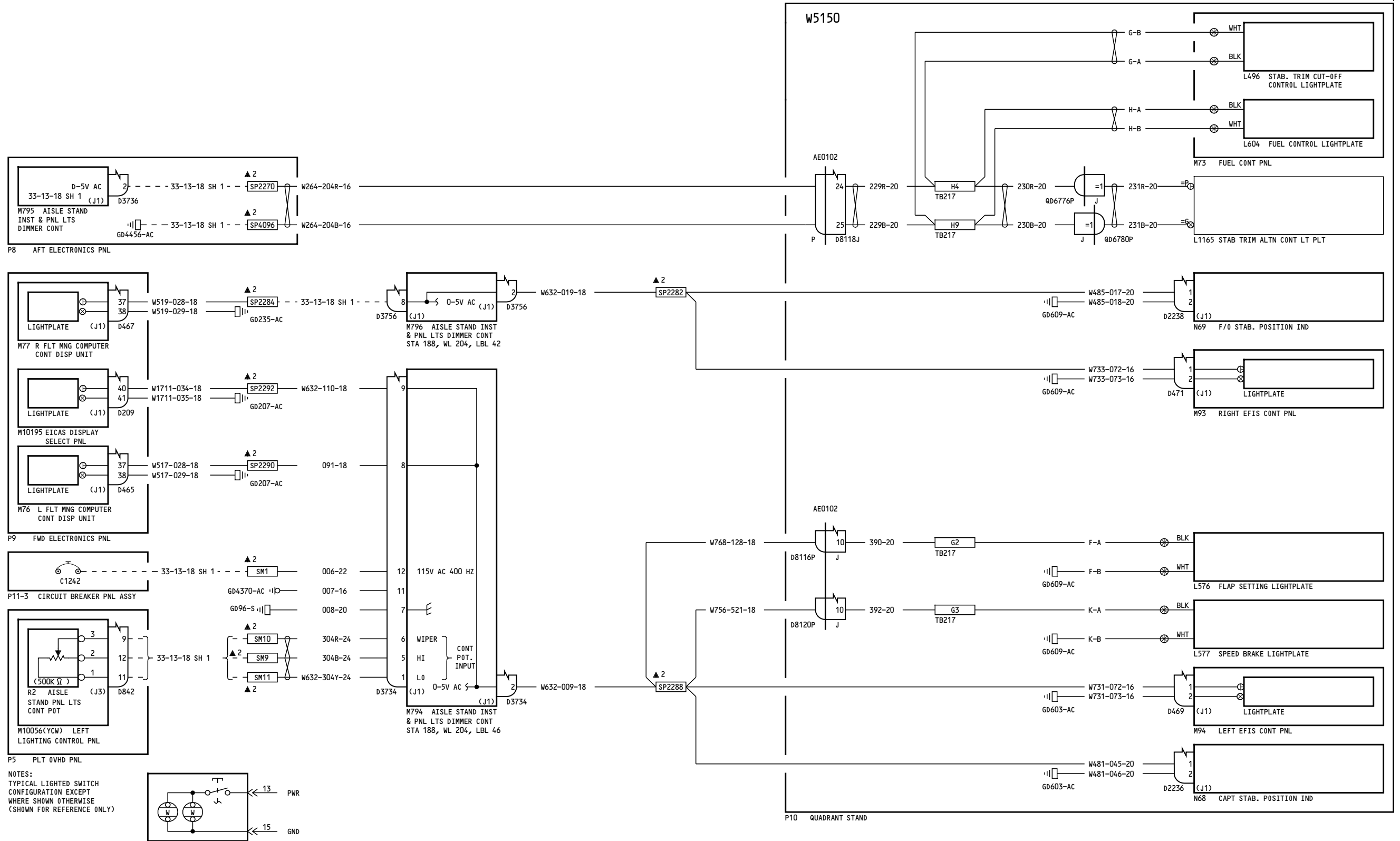
277-299

INSTRUMENT & PANEL LIGHTS AISLE STAND

D280T132

33-13-18

33-13-18



277-299

**INSTRUMENT & PANEL LIGHTS
AISLE STAND**

33-13-18

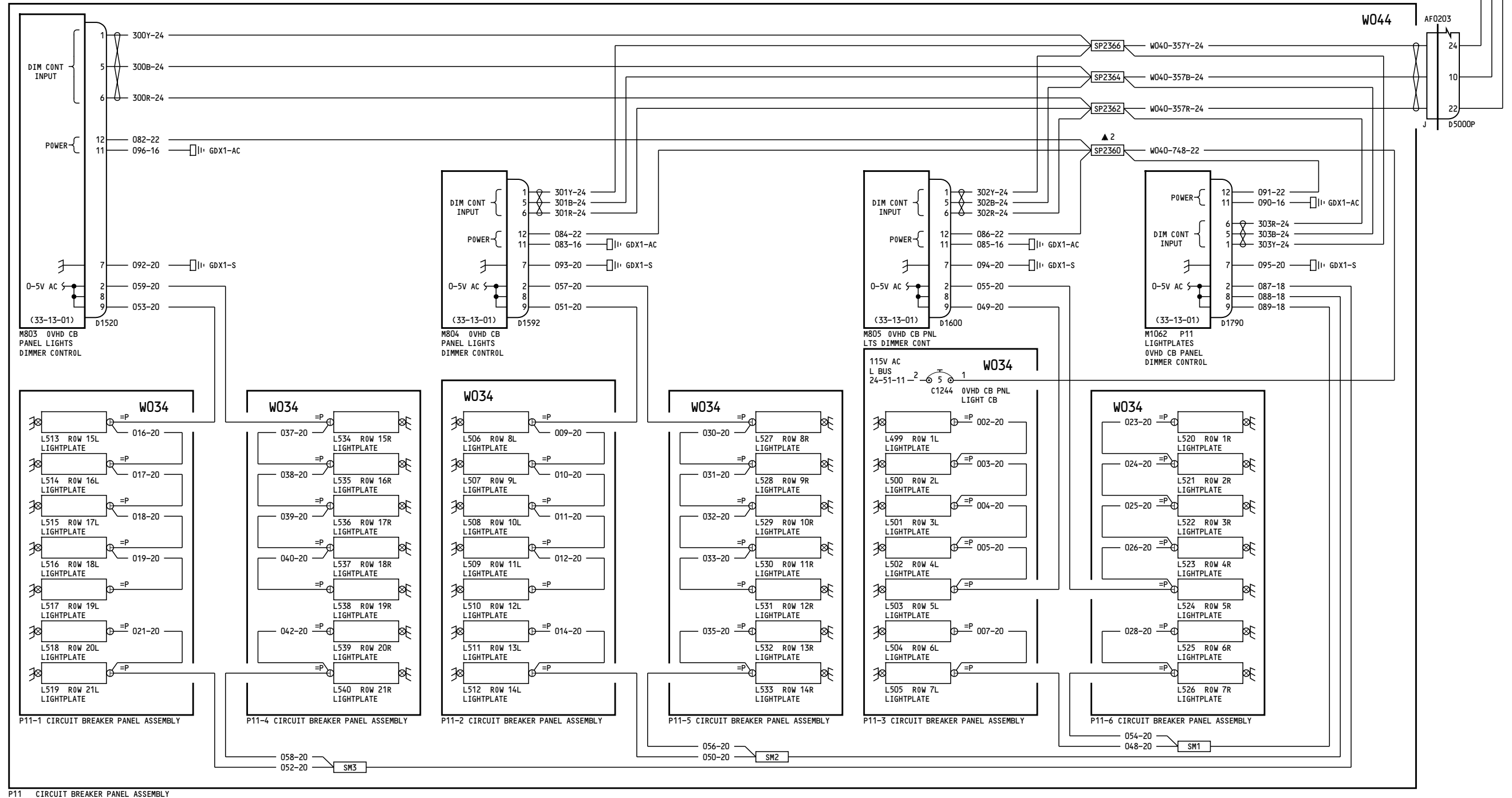
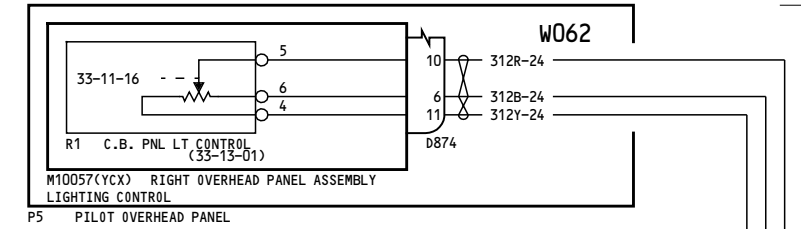
Page 5
Sheet 2
Jan 21/2005

D280T132

33-13-18

Page 5
Sheet 2
Jan 21/2005

-A
2



ALL

INSTRUMENT & PANEL LIGHTS OVERHEAD CIRCUIT BREAKER

D280T132

33-13-19

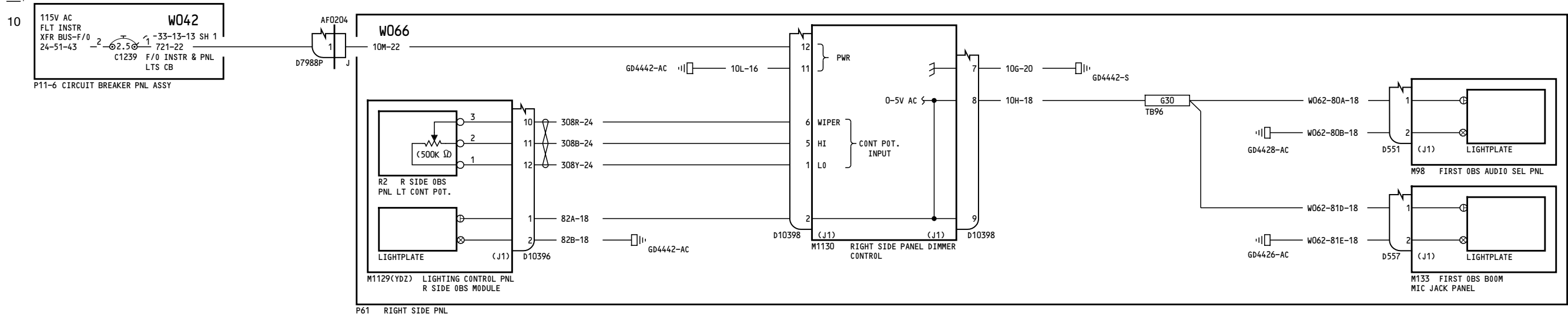
Page 1

Jan 21/2005

33-13-19

Page 1

Jan 21/2005



ALL

**INSTRUMENT & PANEL LIGHTS
SUPERNUMERARY**

D280T132

33-13-21

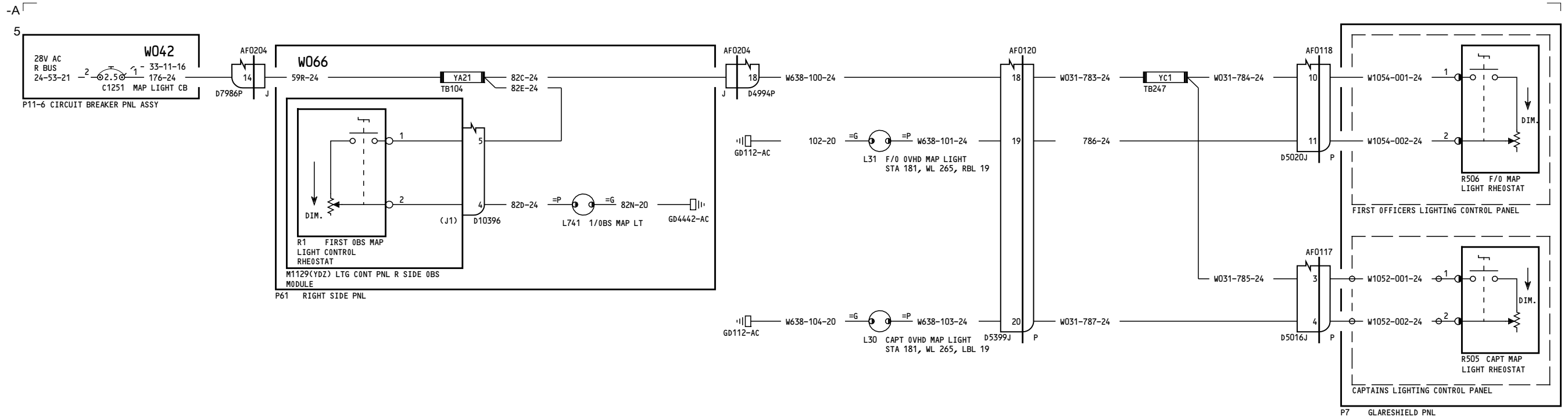
Page 1

Jan 21/2005

33-13-21

Page 1

Jan 21/2005



| | |
|-----|------------|
| ALL | MAP LIGHTS |
| | D280T132 |

33-14-11

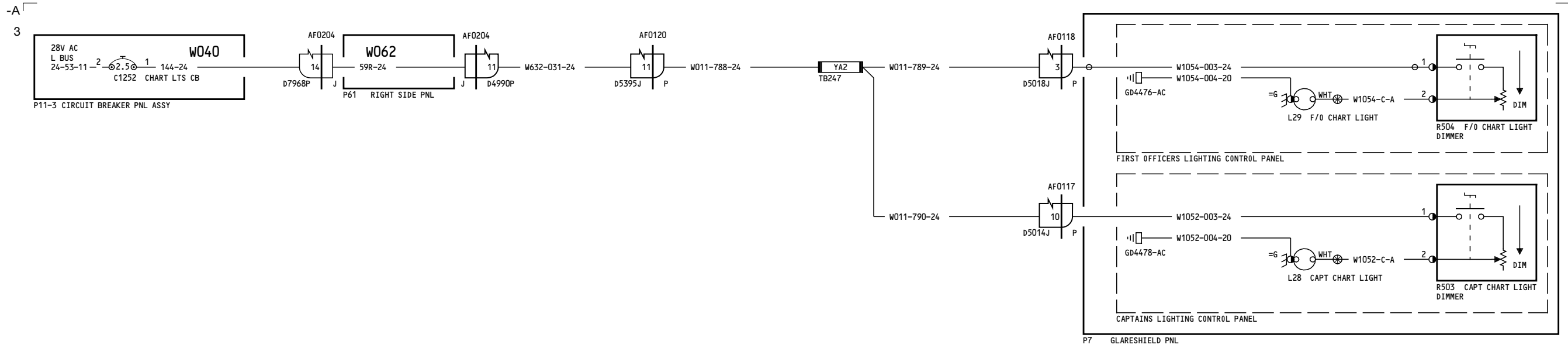
Page 1

Jan 21/2005

33-14-11

Page 1

Jan 21/2005

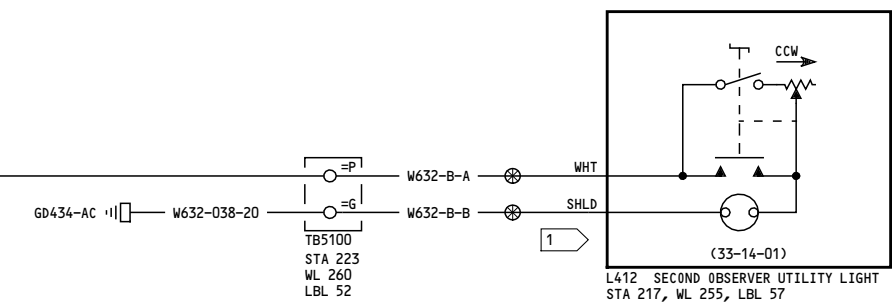
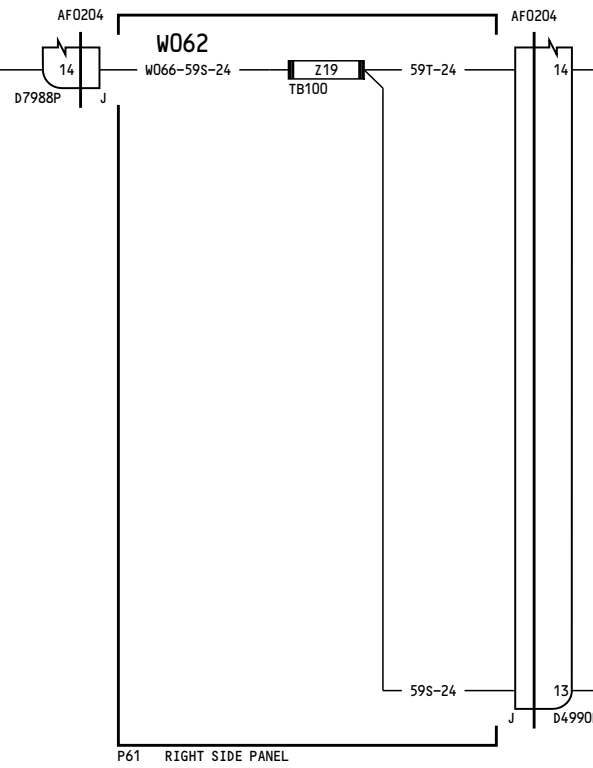
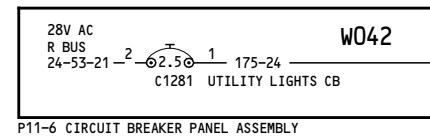


| | |
|-----|--------------------------------------------------------------------------|
| ALL | <p align="center">CHART LIGHTS</p> <p align="center">D280T132</p> |
|-----|--------------------------------------------------------------------------|

33-14-21
 Page 1
 Jan 21/2005

33-14-21
 Page 1
 Jan 21/2005

-A
7



NOTES:
1 SHIELD TERMINATION IS USED AS GROUND RETURN

| | |
|-----|----------------------------------------|
| ALL | FLIGHT KIT & UTILITY LIGHTS |
| | D280T132 |

33-14-31

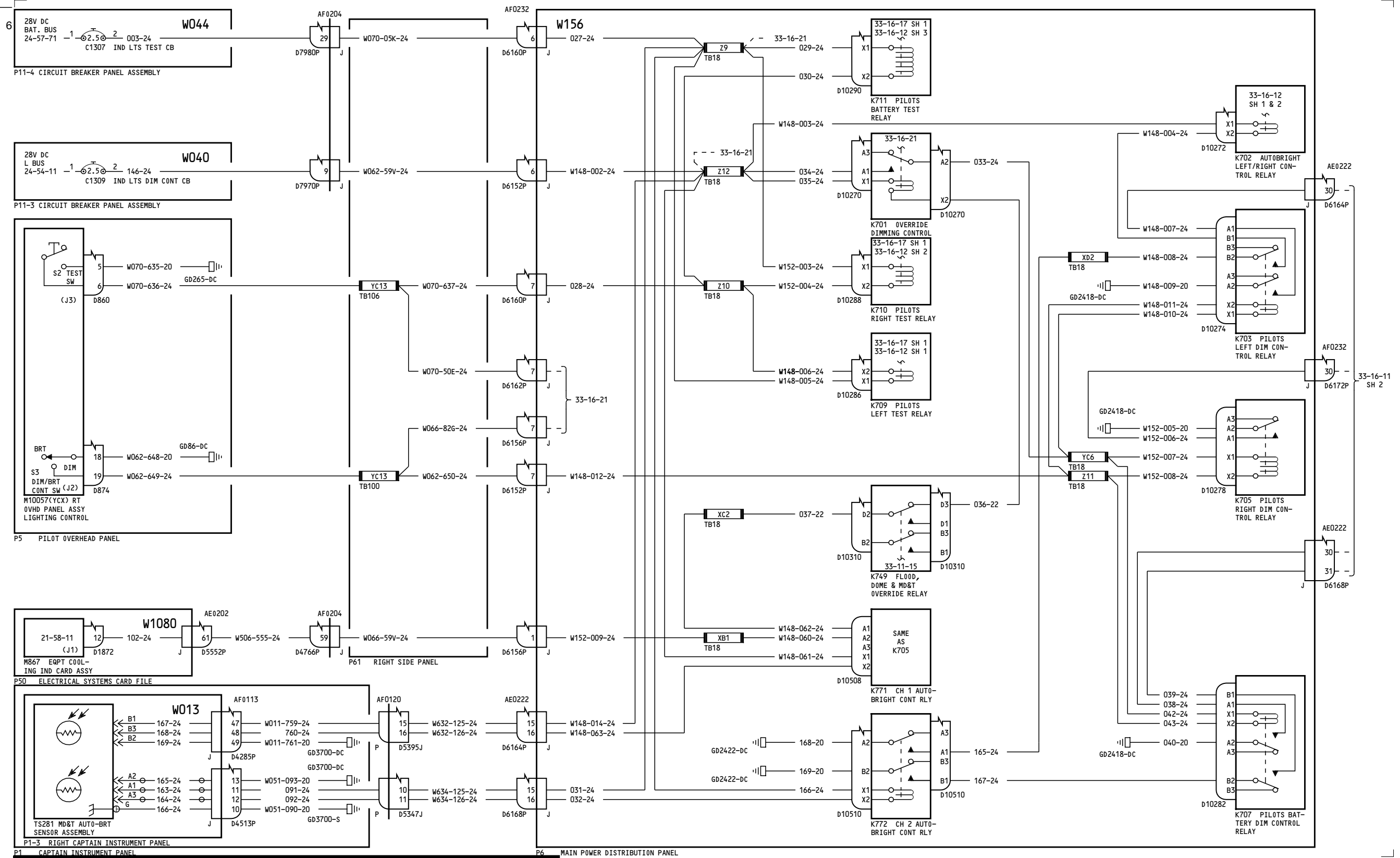
Page 1

Jan 21/2005

33-14-31

Page 1

Jan 21/2005



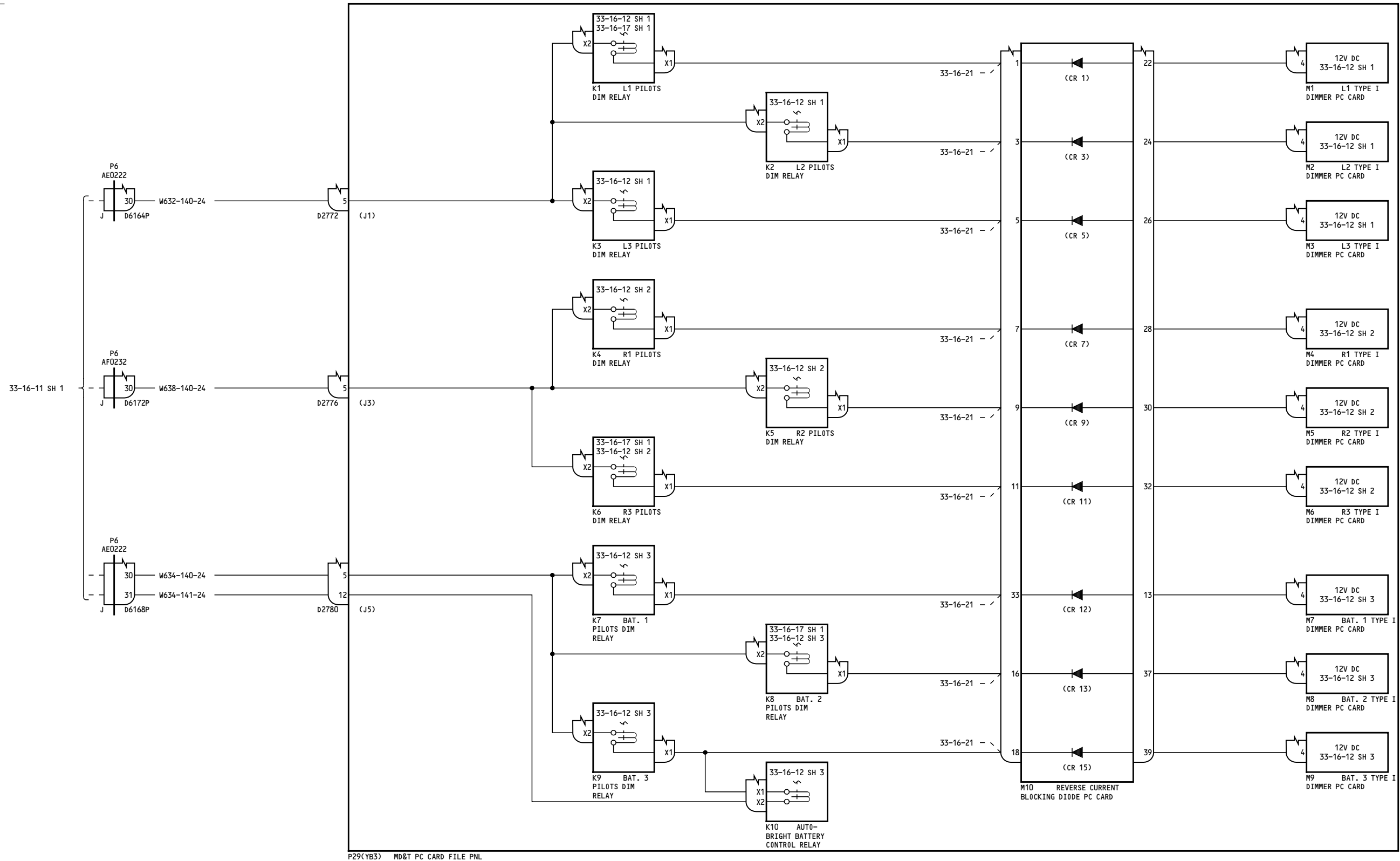
050-099, 150-199, 275-278

**MASTER DIM & TEST-
PILOTS CONTROL**

33-16-11

D280T132

33-16-11



P29(YB3) MD&T PC CARD FILE PNL

050-099, 150-199, 275-278

MASTER DIM & TEST-PILOTS CONTROL

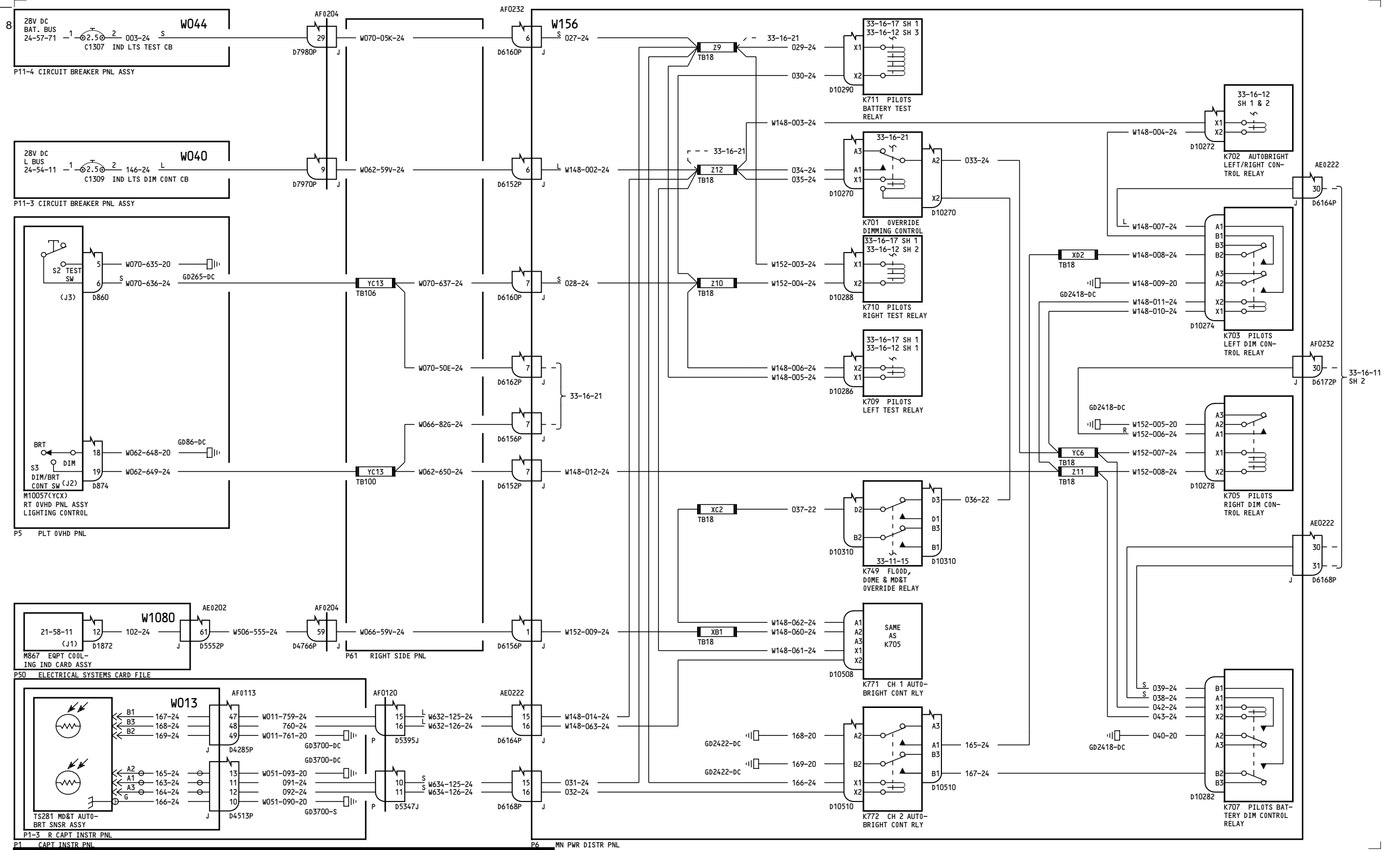
33-16-11

Page 1
Sheet 2
Jan 21/2005

D280T132

33-16-11

Page 1
Sheet 2
Jan 21/2005



280-299

MASTER DIM & TEST-PILOTS CONTROL

D280T132

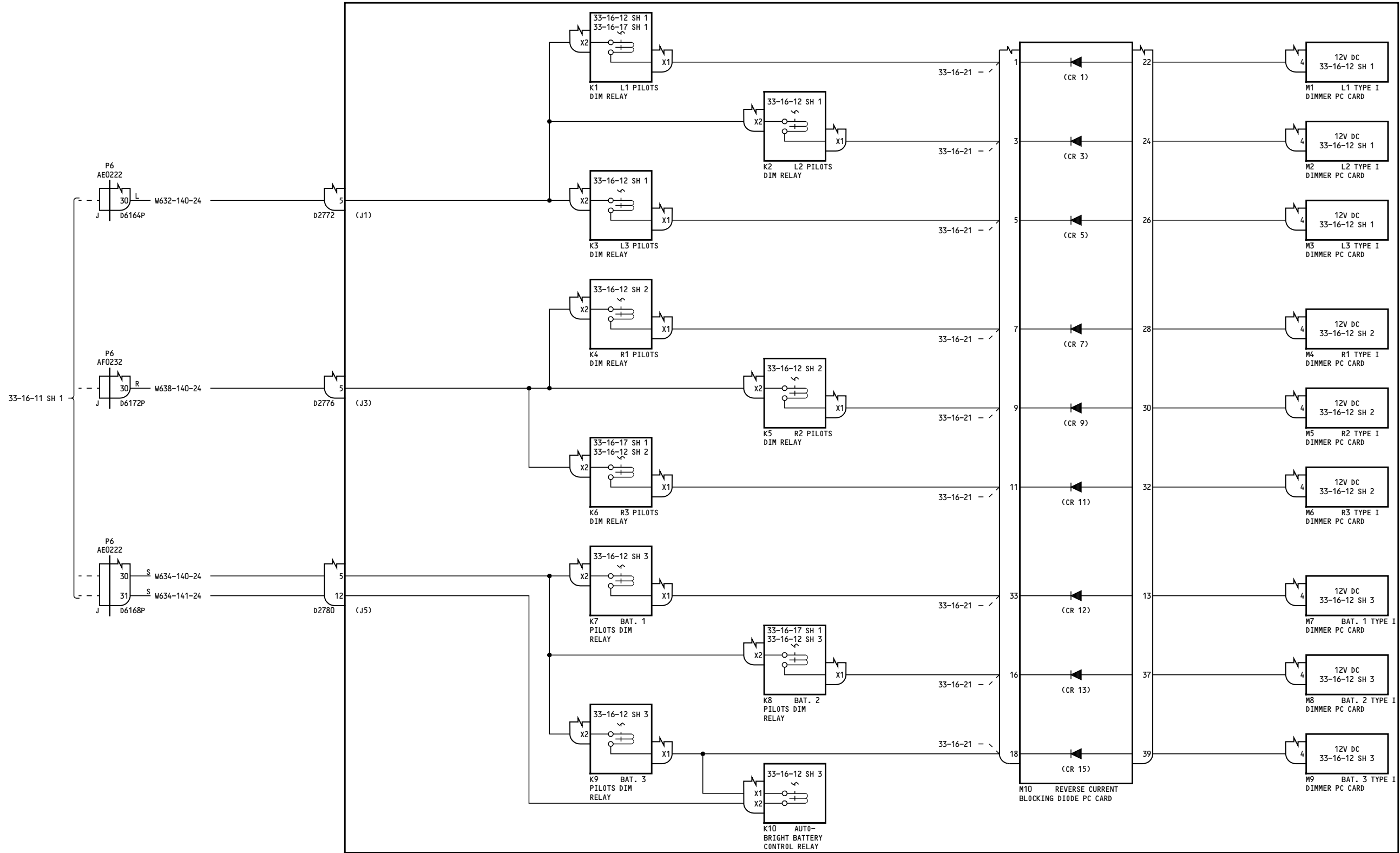
33-16-11

Page 2
Sheet 1
Jan 21/2005

BOEING PROPRIETARY - Copyright © - Unpublished Work - See title page for details.

33-16-11

Page 2
Sheet 1
Jan 21/2005



280-299

MASTER DIM & TEST-PILOTS CONTROL

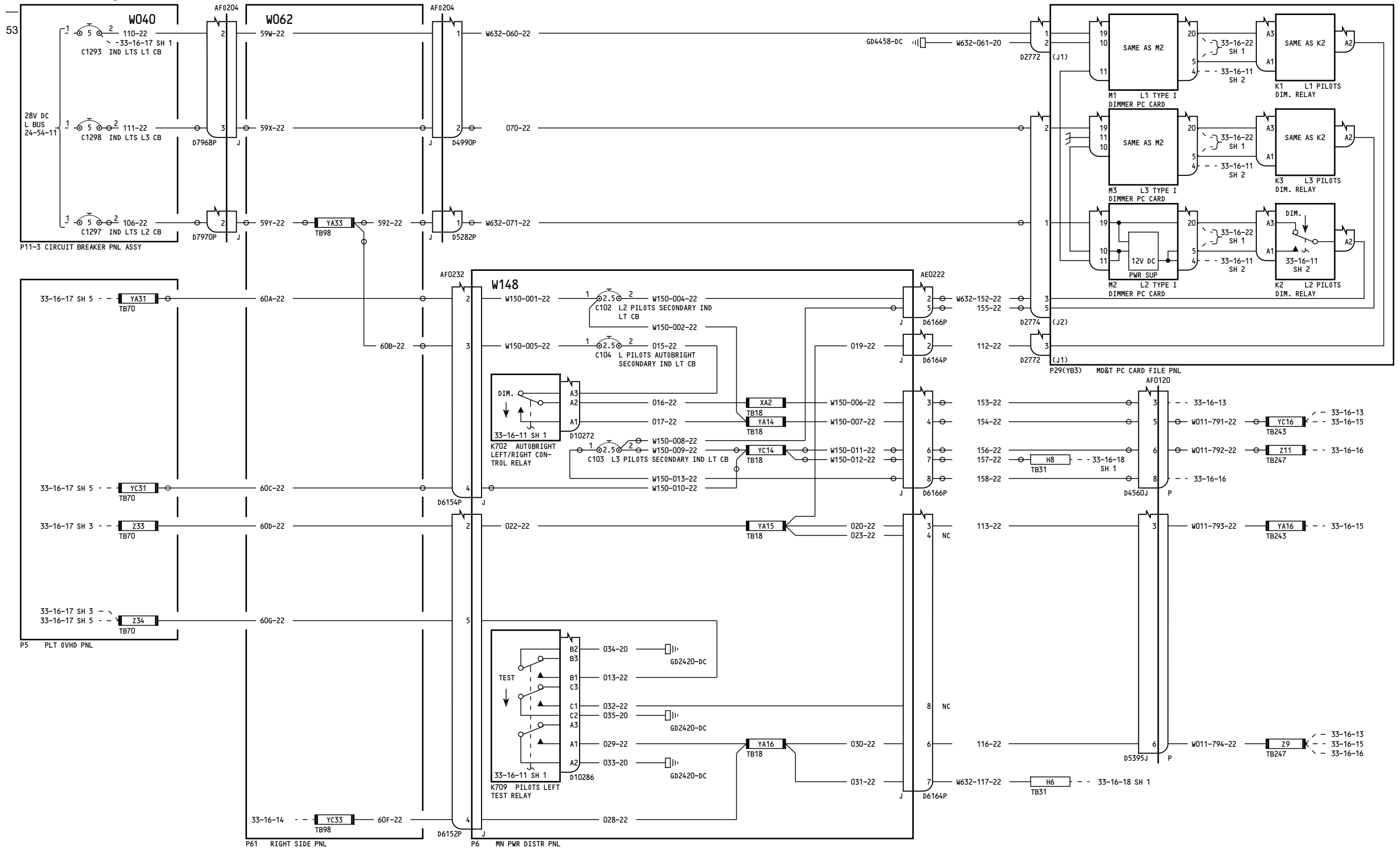
33-16-11

Page 2
Sheet 2
Jan 21/2005

D280T132

33-16-11

Page 2
Sheet 2
Jan 21/2005



050-099, 280-299

**MASTER DIM & TEST-
PILOTS POWER & GROUND
DISTRIBUTION**

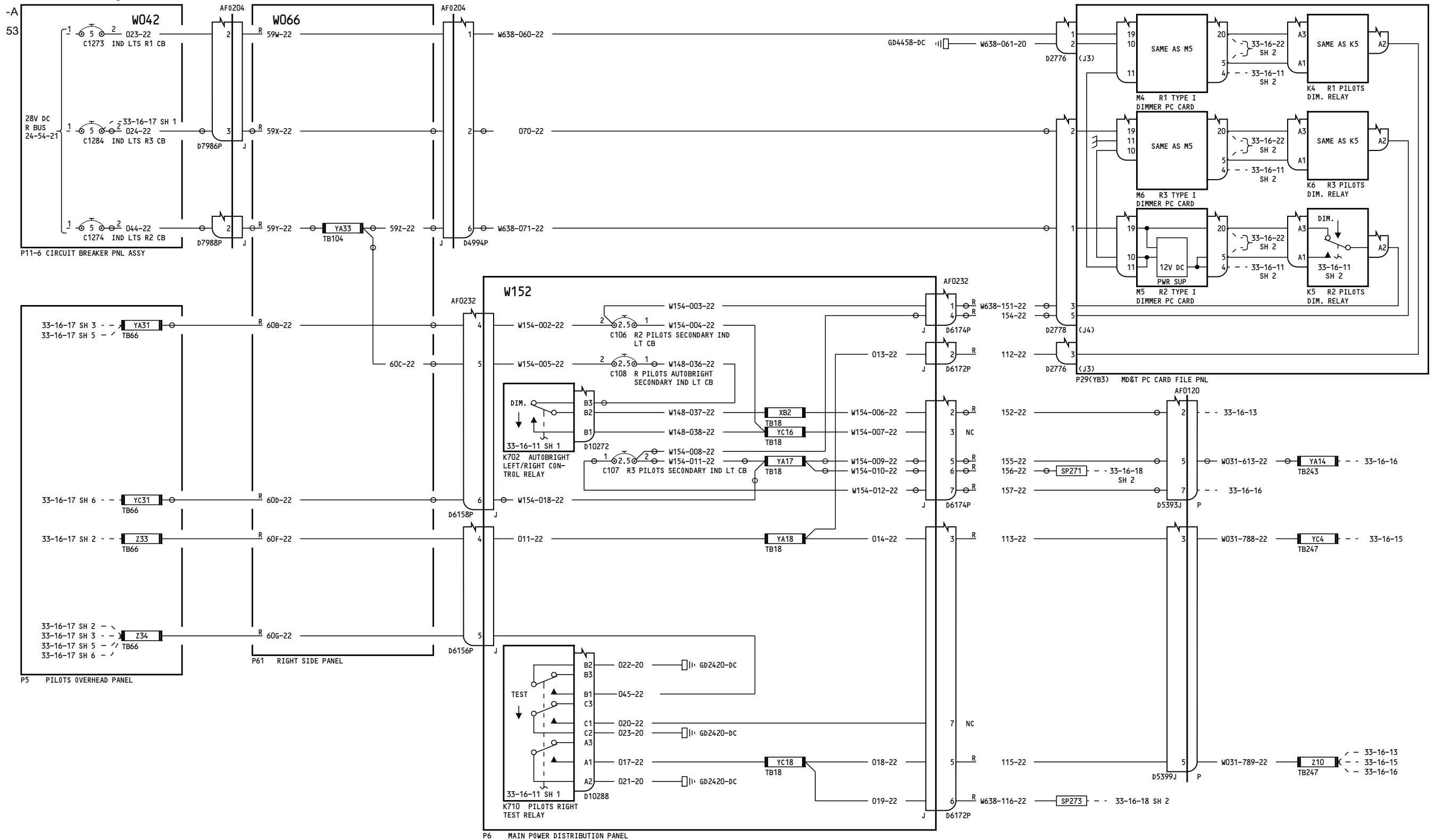
33-16-12

Page 1
Sheet 1
Jan 21/2005

D280T132

33-16-12

Page 1
Sheet 1
Jan 21/2005



050-099, 280-299

**MASTER DIM & TEST-
PILOTS POWER & GROUND
DISTRIBUTION**

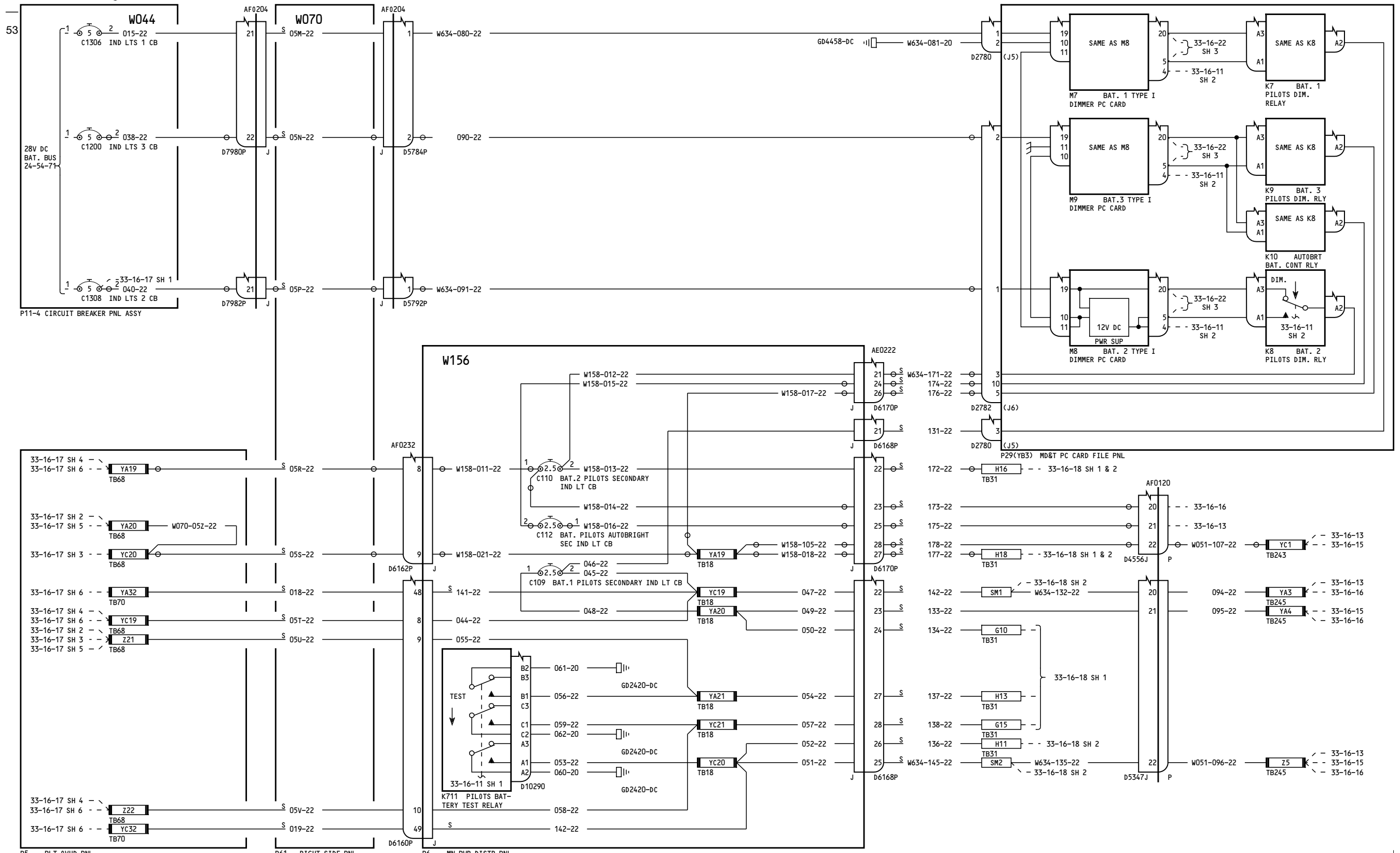
D280T132

33-16-12

Page 1
Sheet 2
Jan 21/2005

33-16-12

Page 1
Sheet 2
Jan 21/2005



P5 PLT OVHD PNL

P61 RIGHT SIDE PNL

P6 MN PWR DISTR PNL

MASTER DIM & TEST-PILOTS POWER & GROUND DISTRIBUTION

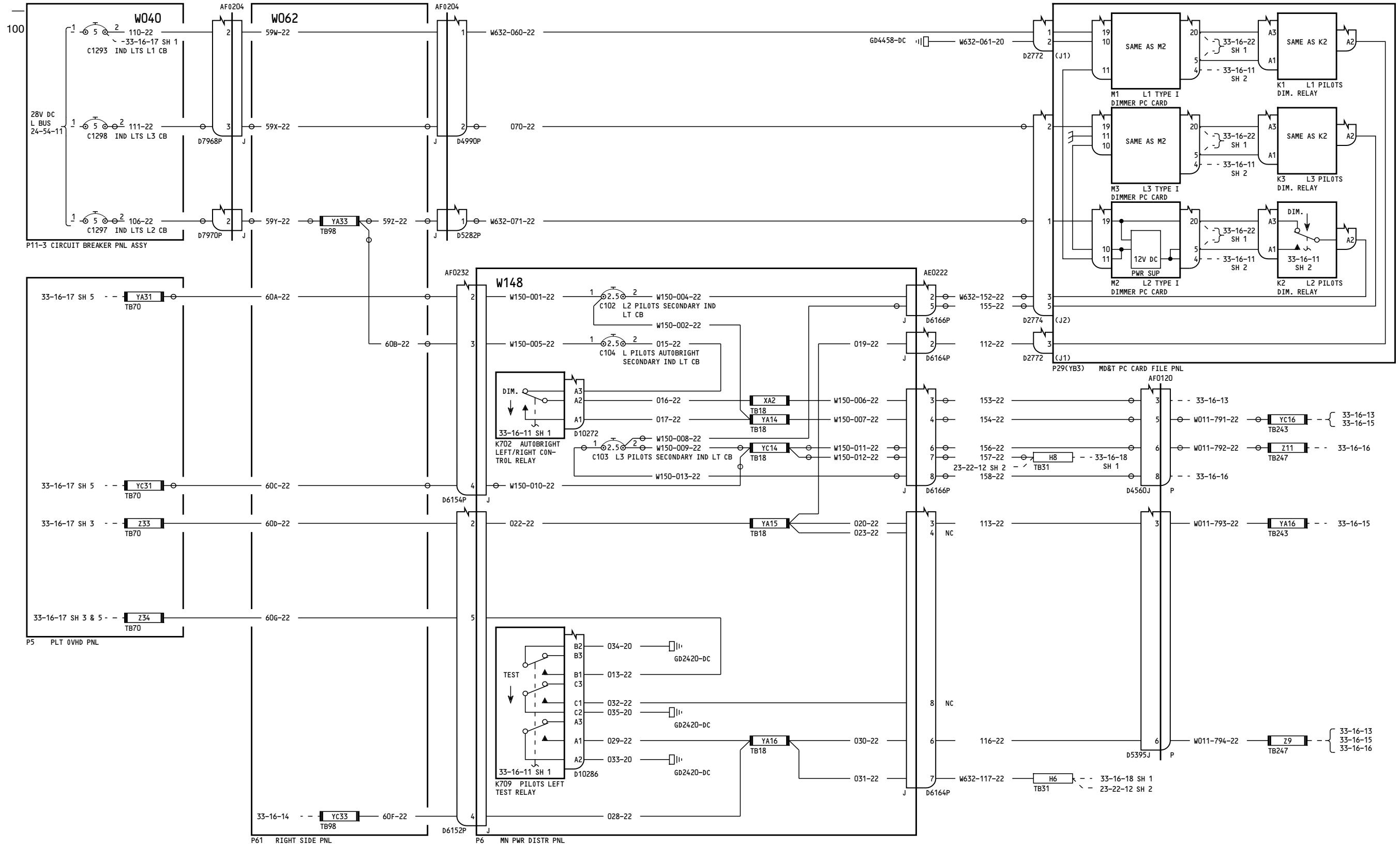
33-16-12

Page 1
Sheet 3
Jan 21/2005

D280T132

33-16-12

Page 1
Sheet 3
Jan 21/2005



150, 152-154

MASTER DIM & TEST-PILOTS POWER & GROUND DISTRIBUTION

33-16-12

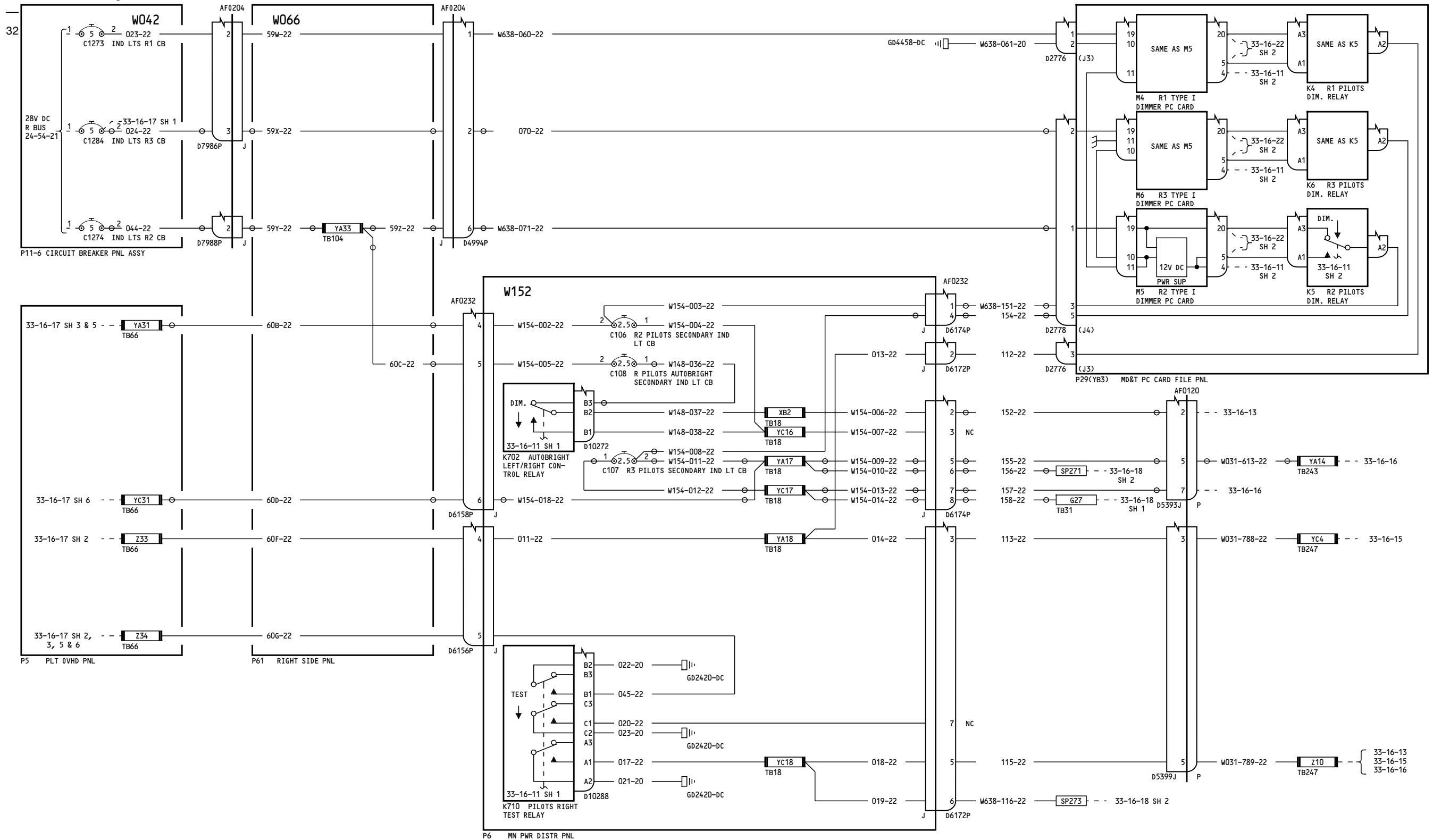
Incorporates MTO-230607

33-16-12

D280T132

Page 2A Sheet 1 Jan 21/2005

Page 2A Sheet 1 Jan 21/2005



150, 152-154

**MASTER DIM & TEST-
PILOTS POWER & GROUND
DISTRIBUTION**

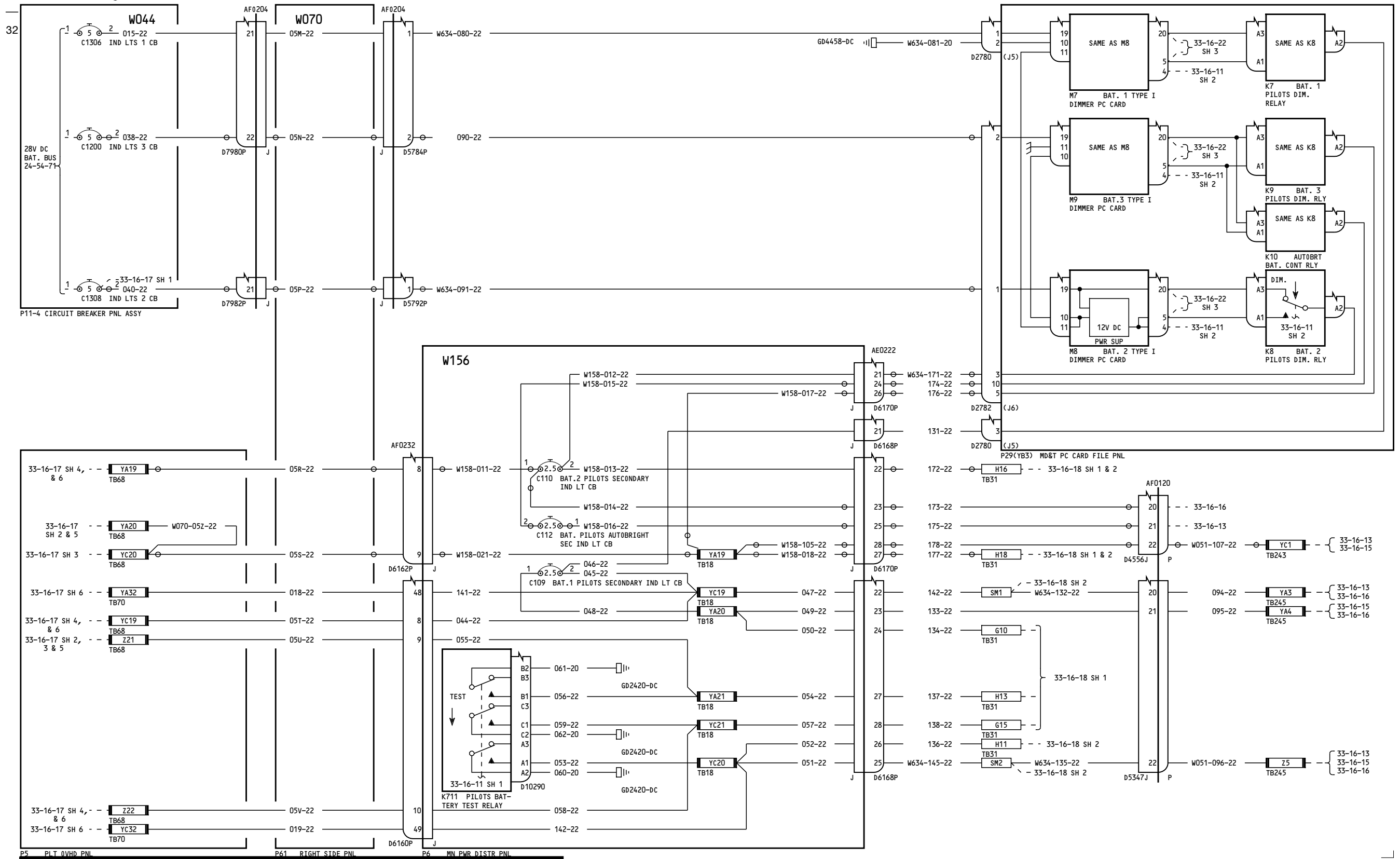
D280T132

33-16-12

Page 2A
Sheet 2
Jan 21/2005

33-16-12

Page 2A
Sheet 2
Jan 21/2005



150, 152-154

MASTER DIM & TEST-PILOTS POWER & GROUND DISTRIBUTION

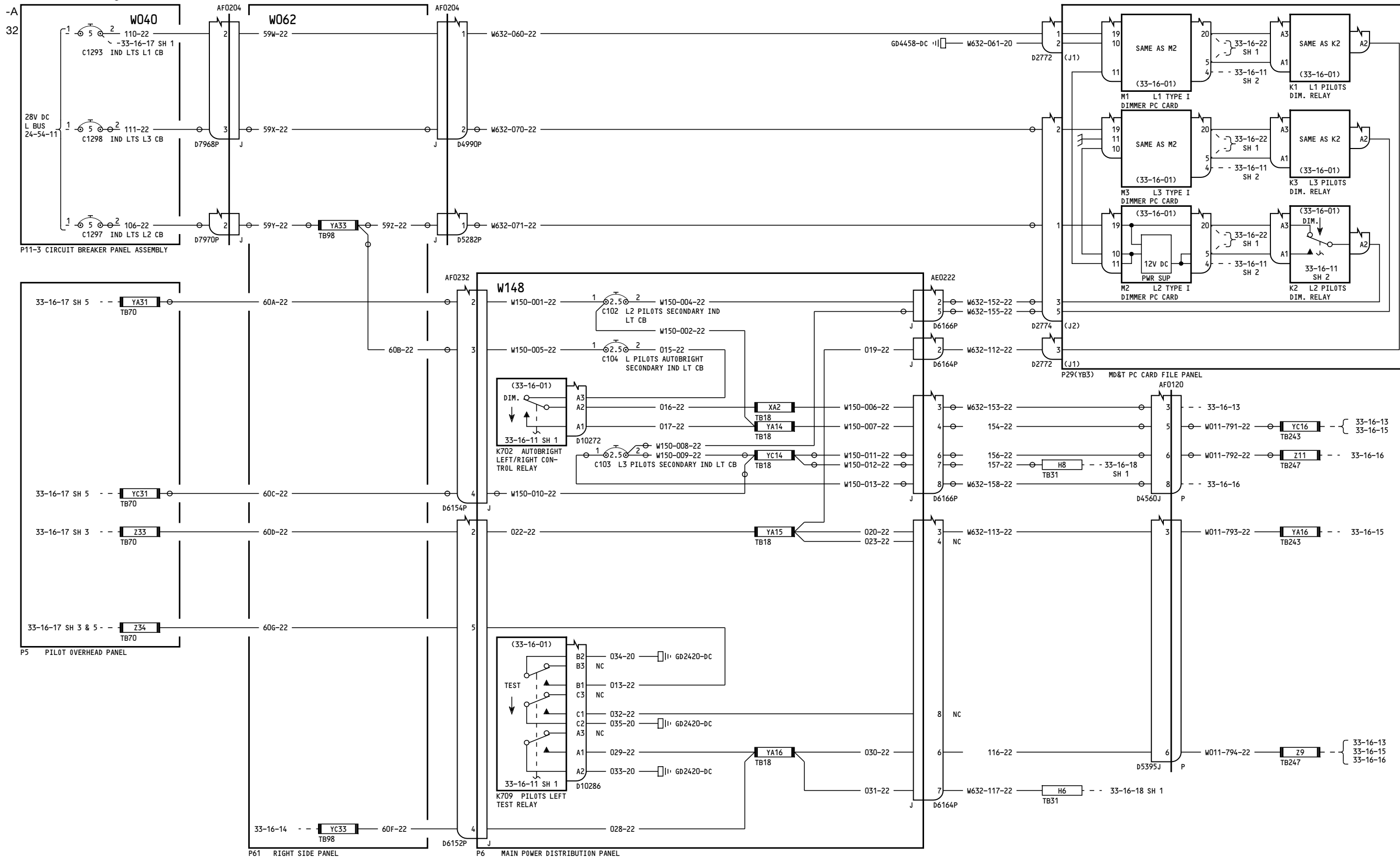
D280T132

33-16-12

Page 2A
Sheet 3
Jan 21/2005

33-16-12

Page 2A
Sheet 3
Jan 21/2005



151, 275-278

MASTER DIM & TEST-
PILOTS POWER & GROUND
DISTRIBUTION

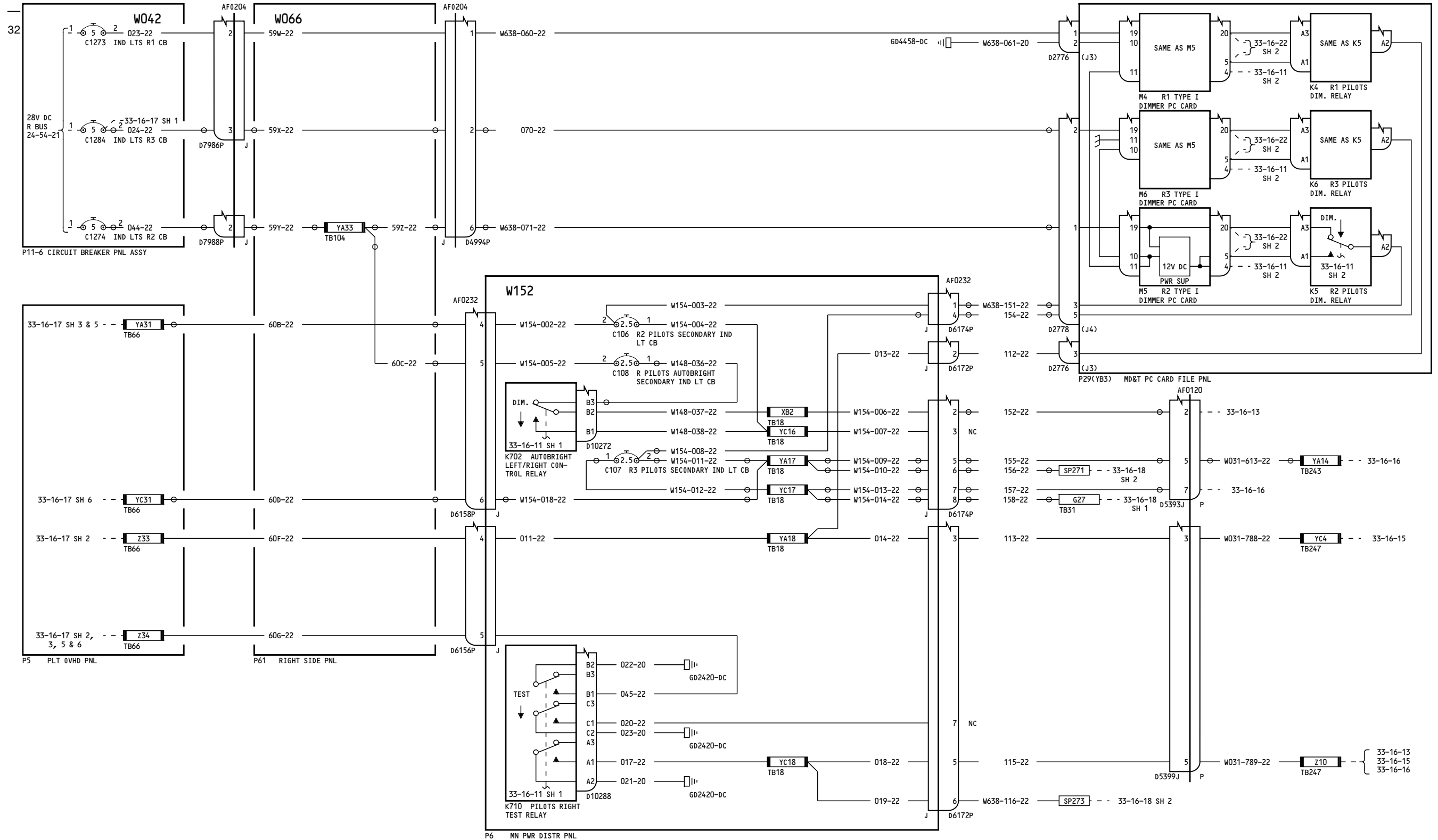
D280T132

33-16-12

Page 3
Sheet 1
Jan 21/2005

33-16-12

Page 3
Sheet 1
Jan 21/2005



151, 275-278

MASTER DIM & TEST-PILOTS POWER & GROUND DISTRIBUTION

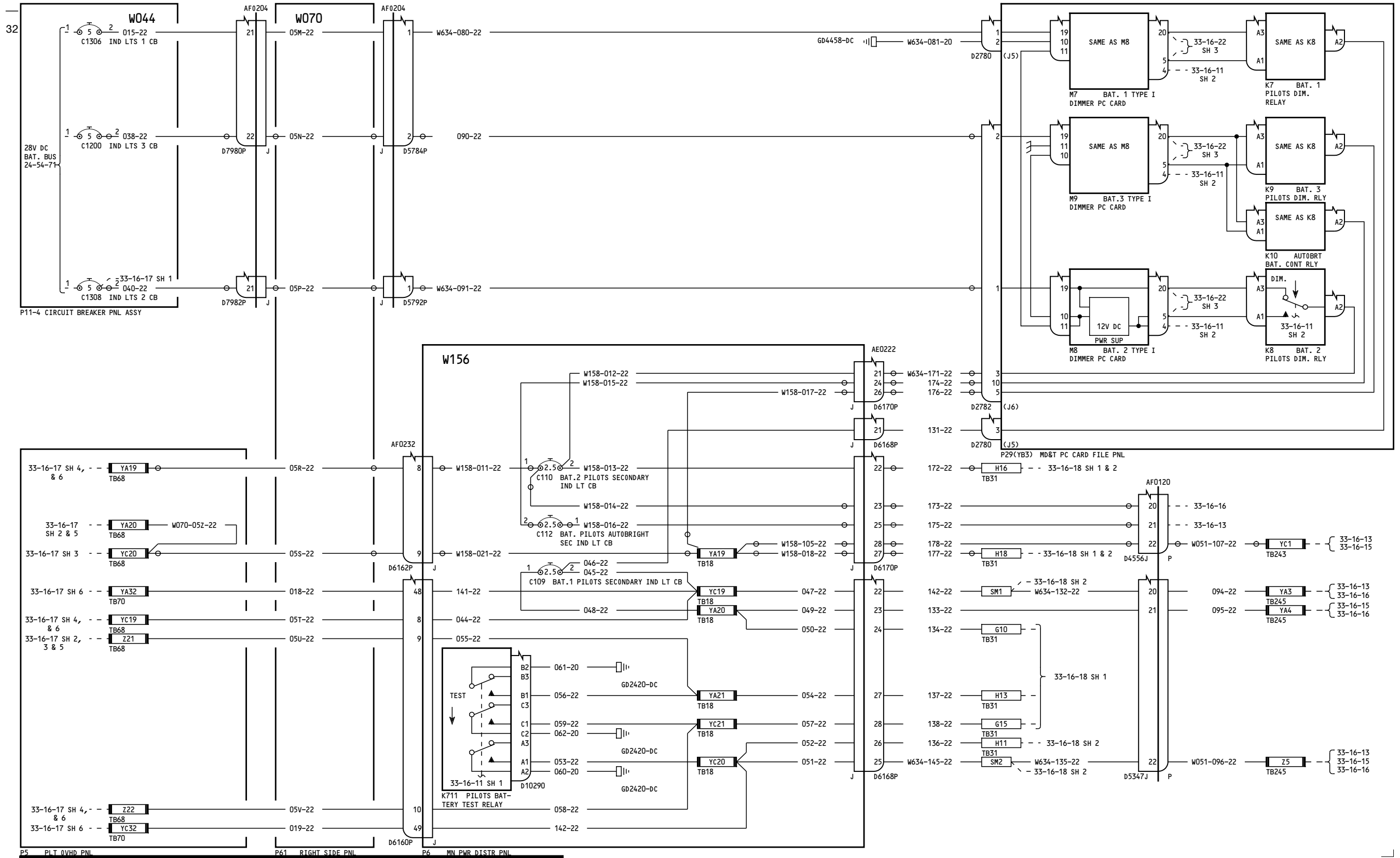
D280T132

33-16-12

Page 3
Sheet 2
Jan 21/2005

33-16-12

Page 3
Sheet 2
Jan 21/2005



151, 275-278

MASTER DIM & TEST-PILOTS POWER & GROUND DISTRIBUTION

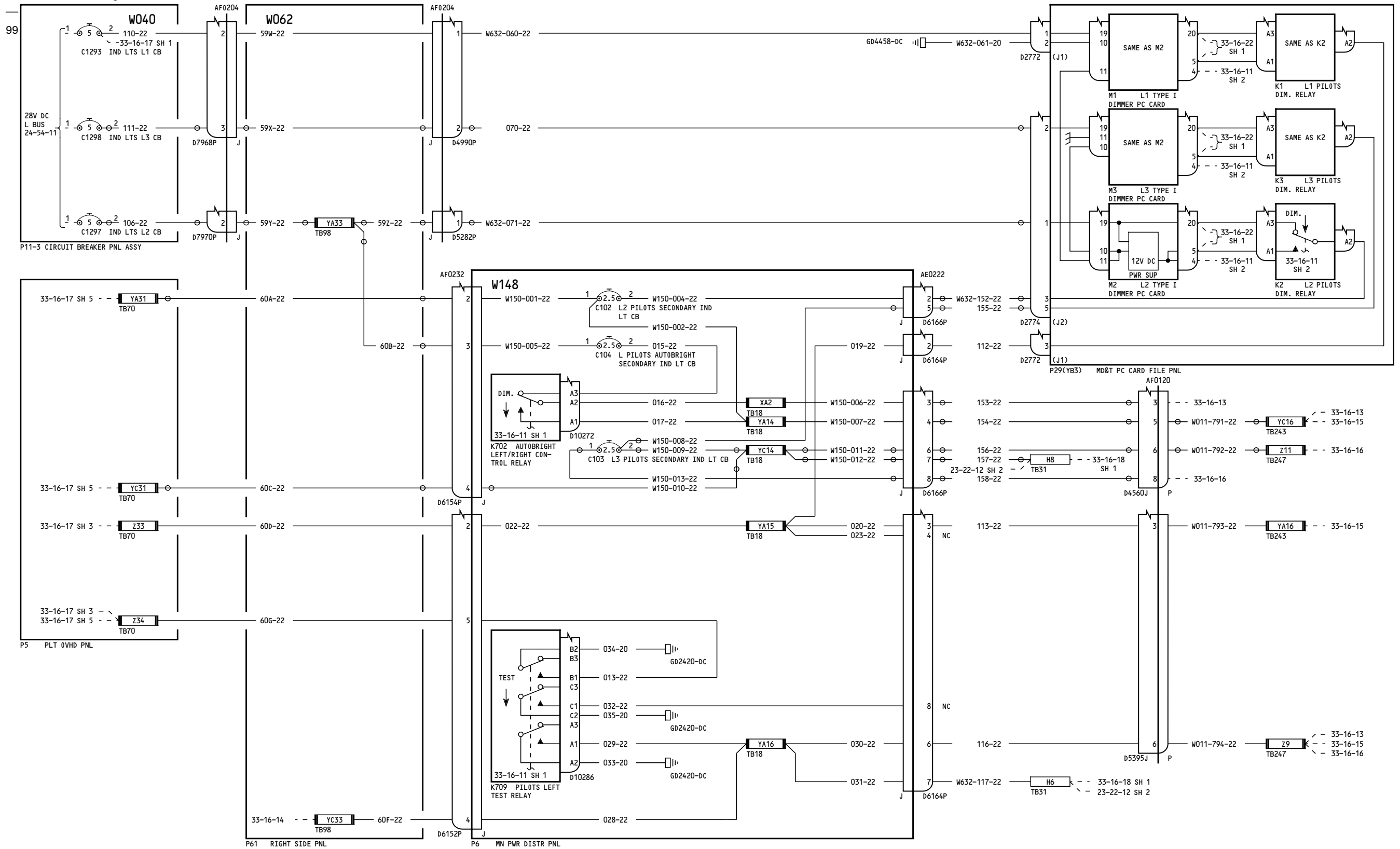
D280T132

33-16-12

Page 3
Sheet 3
Jan 21/2005

33-16-12

Page 3
Sheet 3
Jan 21/2005



155-167

**MASTER DIM & TEST-
PILOTS POWER & GROUND
DISTRIBUTION**

D280T132

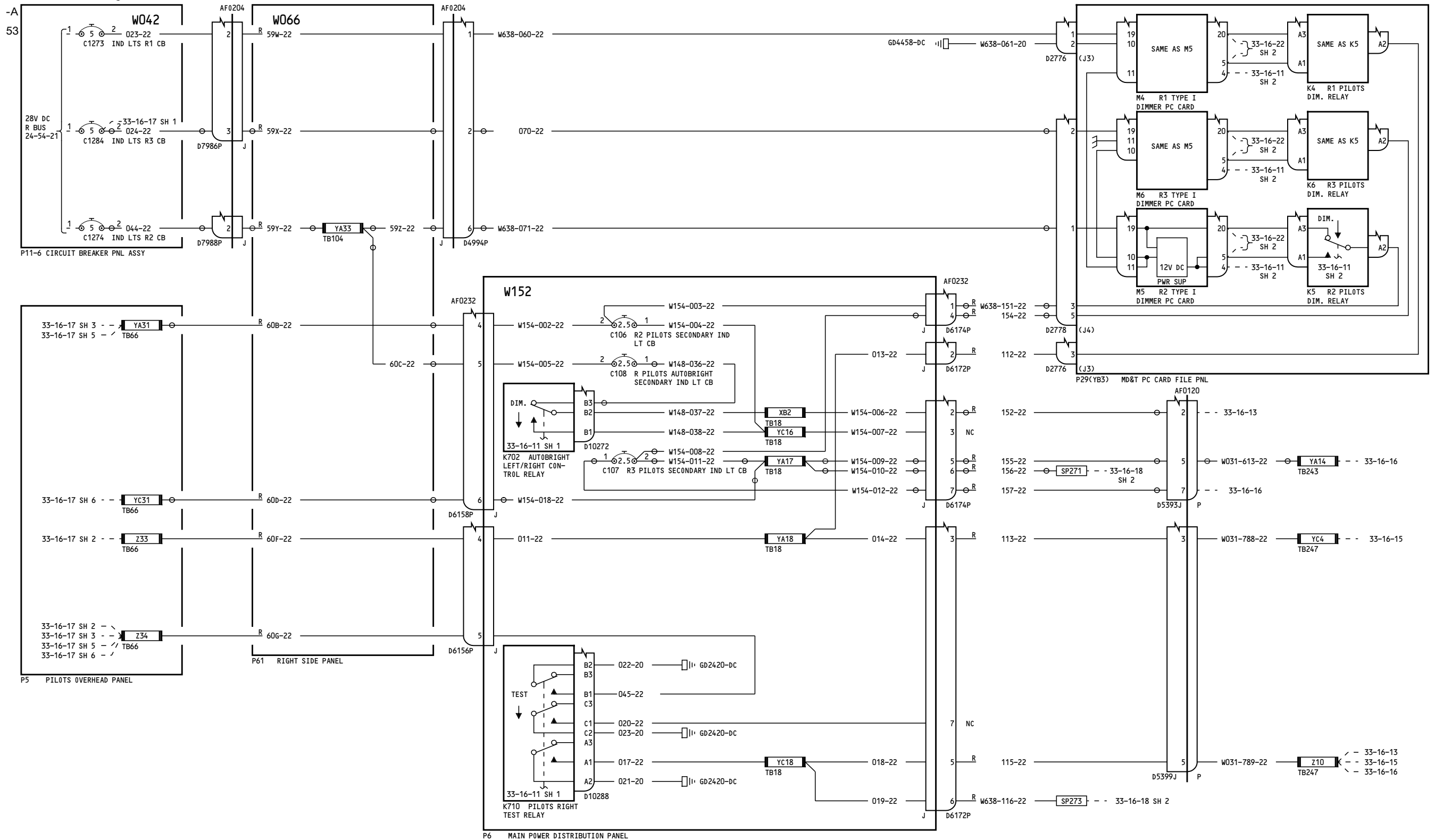
33-16-12

Page 4A
Sheet 1
Jan 21/2005

Incorporates
MTO-230607

33-16-12

Page 4A
Sheet 1
Jan 21/2005



155-167

**MASTER DIM & TEST-
PILOTS POWER & GROUND
DISTRIBUTION**

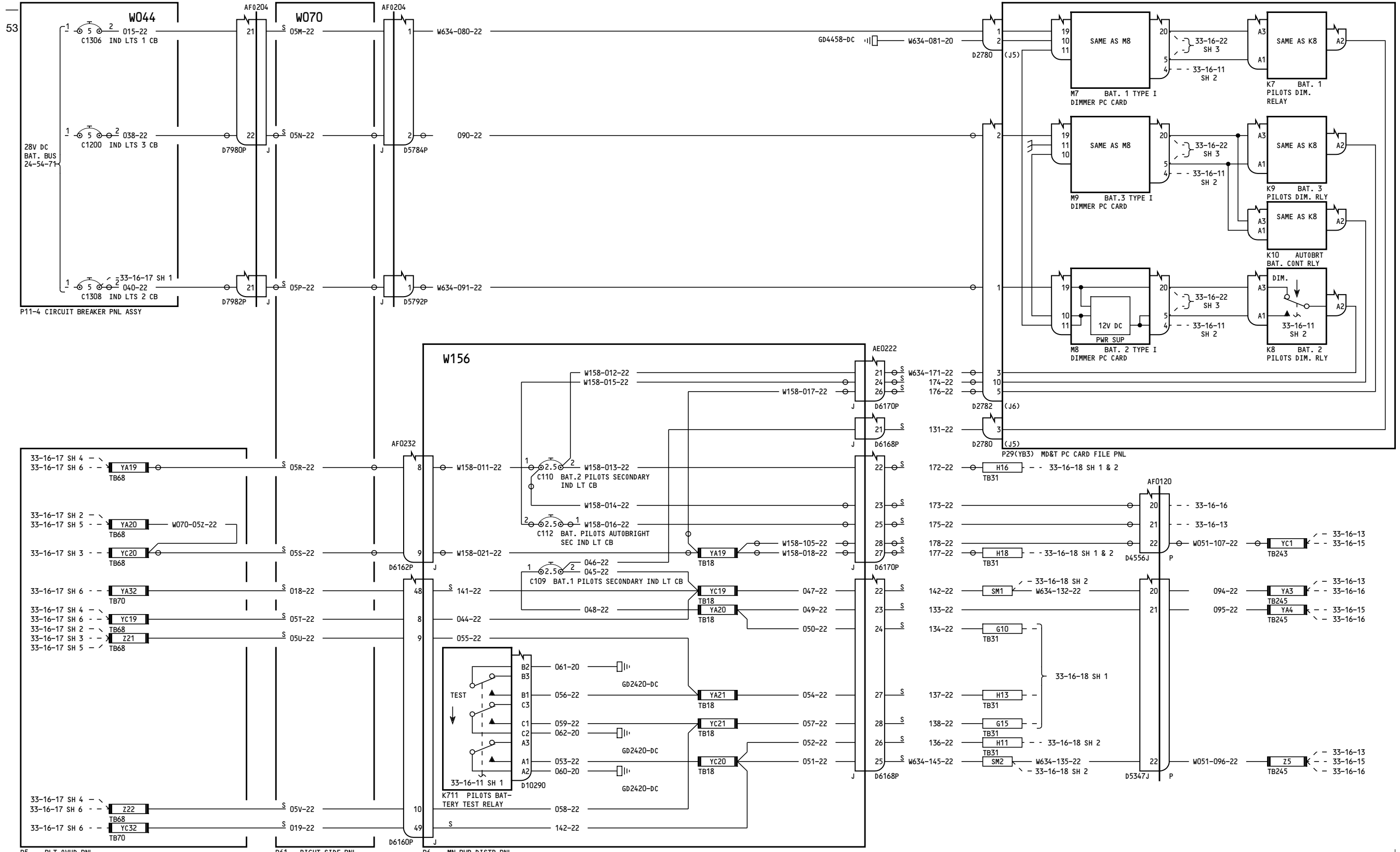
33-16-12

Page 4A
Sheet 2
Jan 21/2005

D280T132

33-16-12

Page 4A
Sheet 2
Jan 21/2005



155-167

MASTER DIM & TEST-PILOTS POWER & GROUND DISTRIBUTION

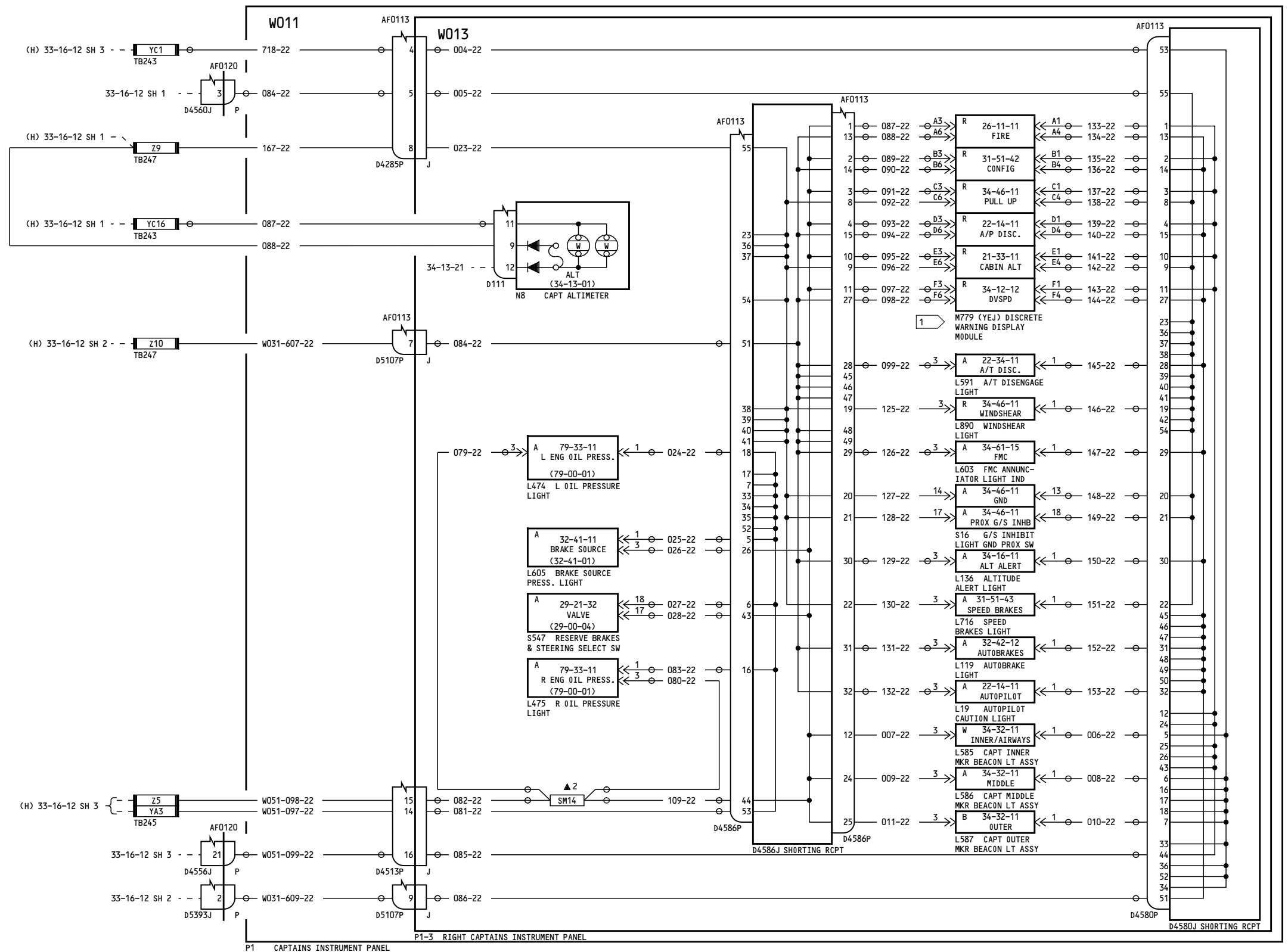
33-16-12

Page 4A
Sheet 3
Jan 21/2005

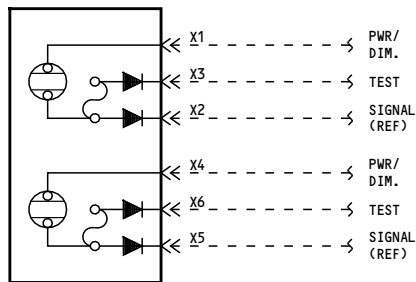
D280T132

33-16-12

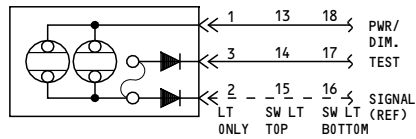
Page 4A
Sheet 3
Jan 21/2005



NOTES:
1 TYPICAL M779 ANNUNCIATOR CONFIGURATION (SHOWN FOR REFERENCE ONLY):



TYPICAL ANNUNCIATOR CONFIGURATION EXCEPT WHERE SHOWN OTHERWISE (SHOWN FOR REFERENCE ONLY):



050-099, 151

MASTER DIM & TEST- CAPTAINS PANEL

33-16-13

Page 1

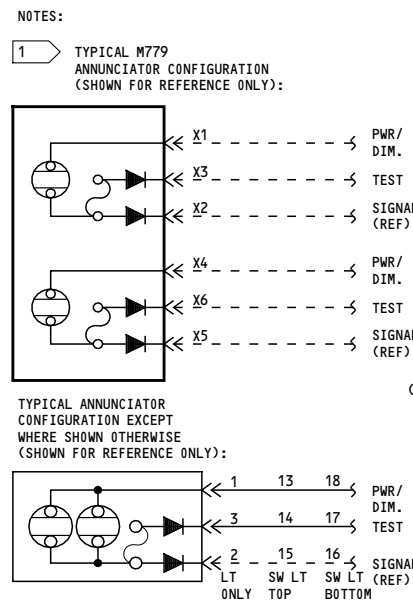
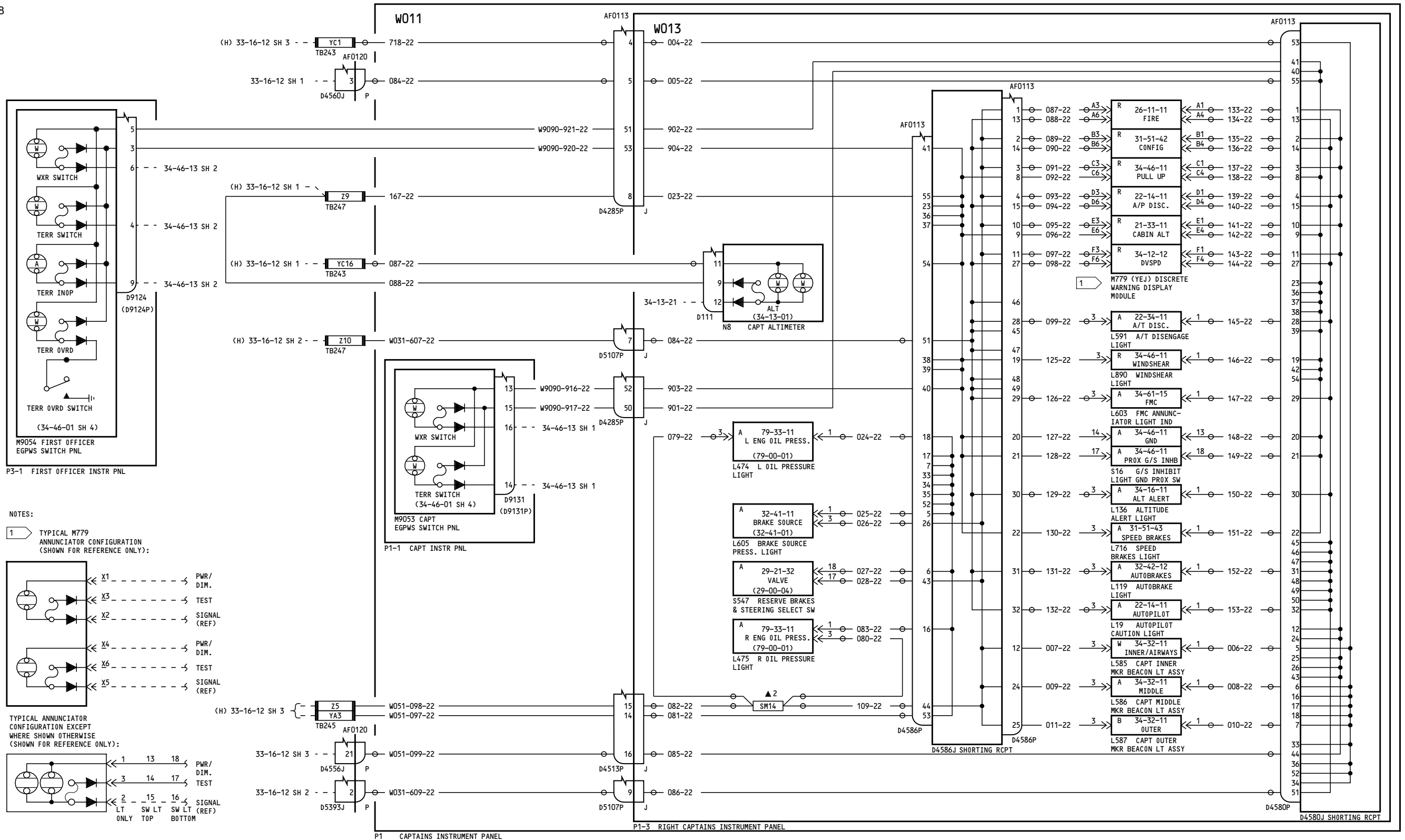
D280T132

Jan 21/2005

33-16-13

Page 1

Jan 21/2005



150, 152-280

MASTER DIM & TEST- CAPTAINS PANEL

33-16-13

Page 2A

D280T132

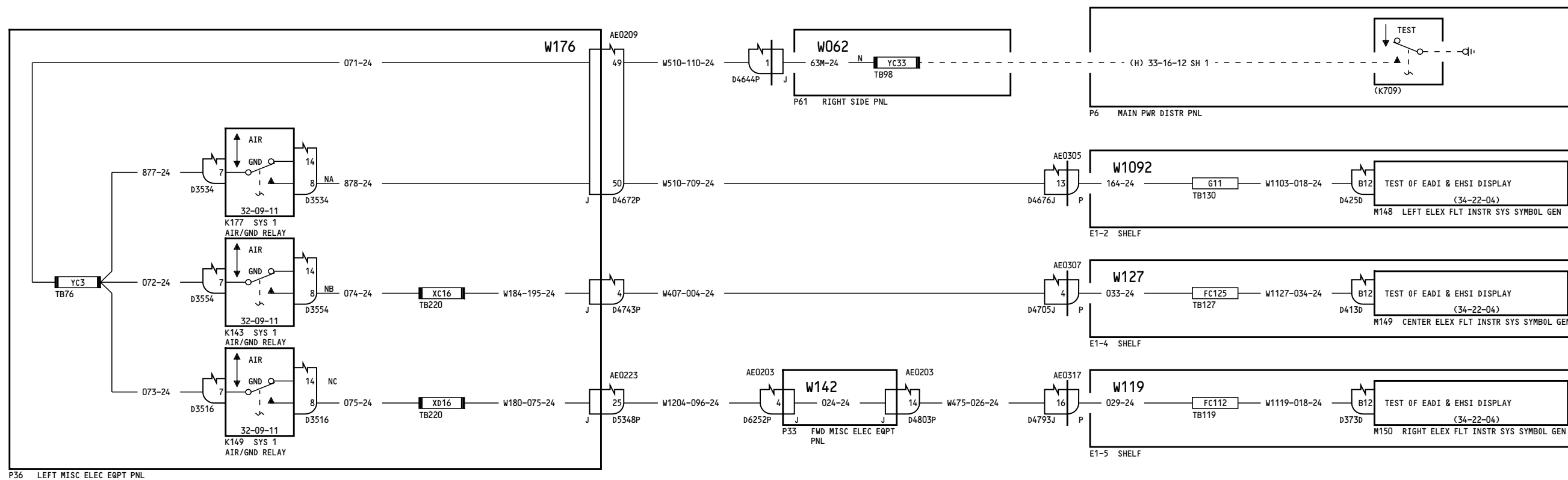
Jan 21/2005

Incorporates MTO-340961

33-16-13

Page 2A

Jan 21/2005



P36 LEFT MISC ELEC EQPT PNL

| | |
|-----|-------------------------------------------------------------------------------|
| ALL | <p>MASTER DIM & TEST-CATHODE RAY TUBE DISPLAYS</p> <p>D280T132</p> |
|-----|-------------------------------------------------------------------------------|

33-16-14

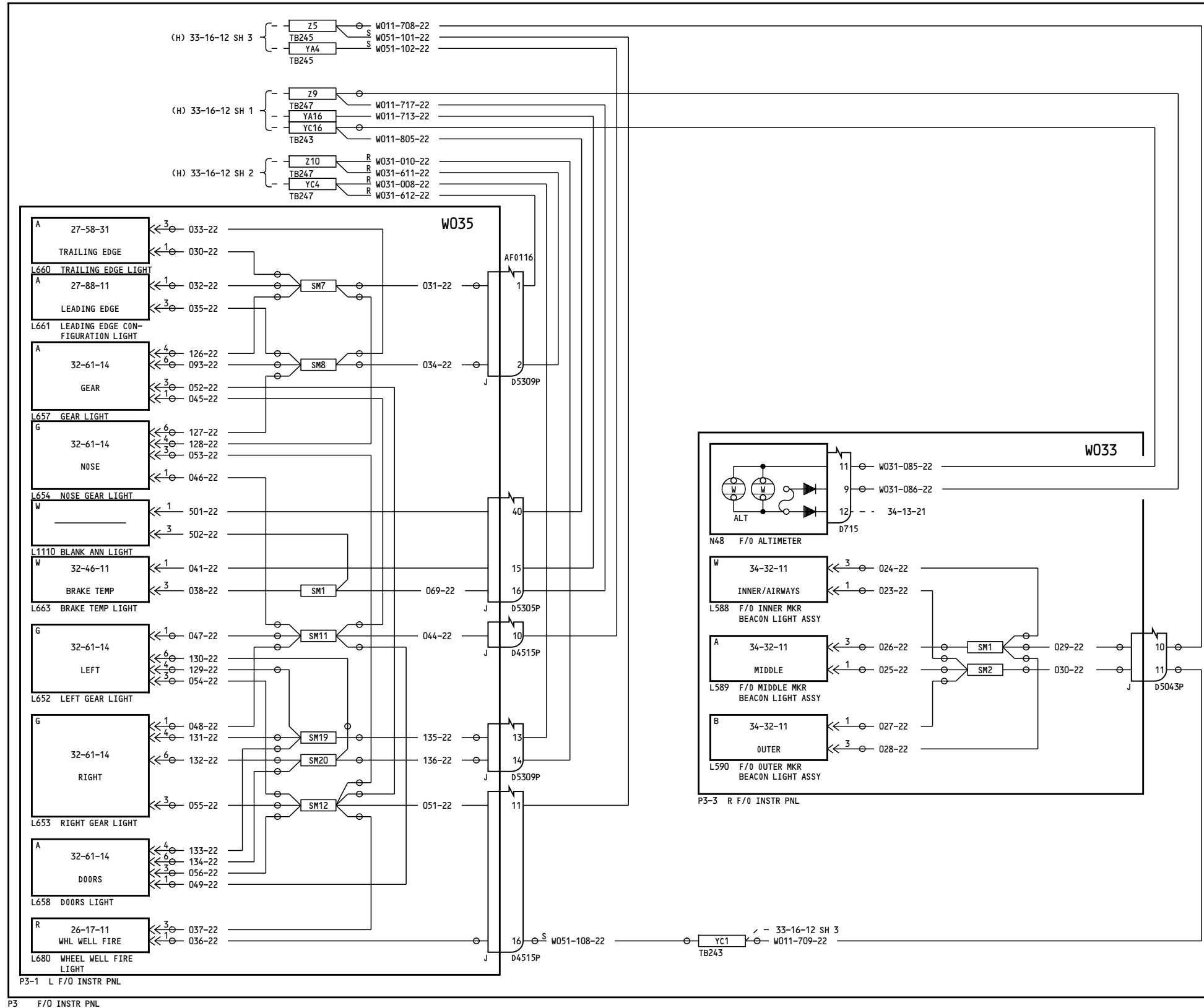
Page 1

Jan 21/2005

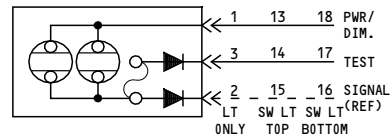
33-16-14

Page 1

Jan 21/2005



NOTES:
 TYPICAL ANNUNCIATOR CONFIGURATION
 EXCEPT WHERE SHOWN OTHERWISE
 (SHOWN FOR REFERENCE ONLY):



050-099

**MASTER DIM & TEST-
FIRST OFFICERS PANEL**

33-16-15

Page 1

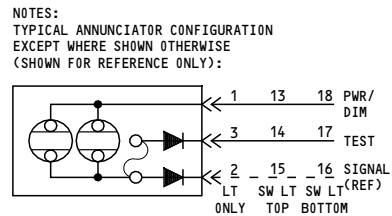
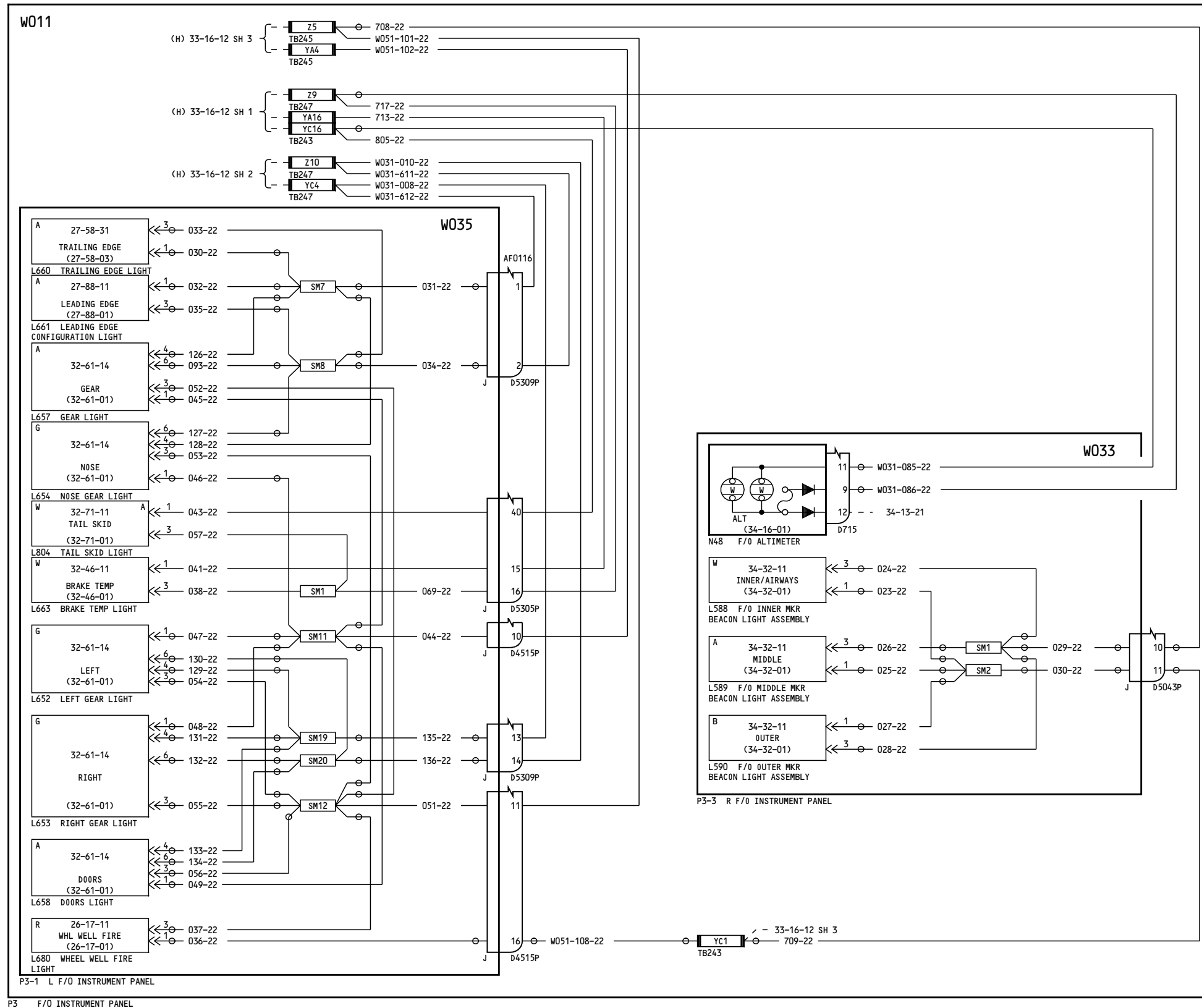
D280T132

Jan 21/2005

33-16-15

Page 1

Jan 21/2005



150-199, 275-299

**MASTER DIM & TEST-
FIRST OFFICERS PANEL**

33-16-15

Page 2

D280T132

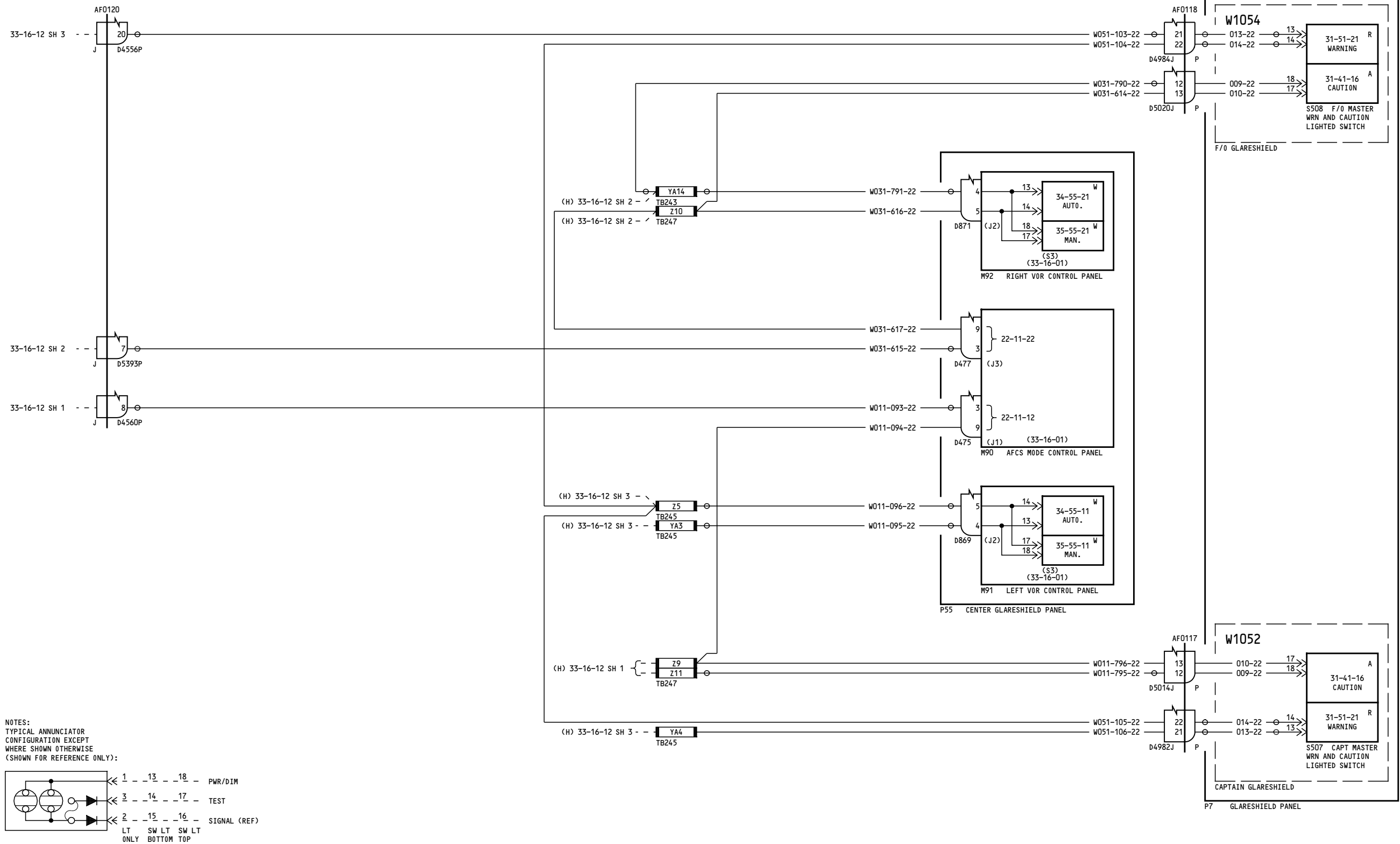
Jan 21/2005

33-16-15

Page 2

Jan 21/2005

-D
4



NOTES:
TYPICAL ANNUNCIATOR
CONFIGURATION EXCEPT
WHERE SHOWN OTHERWISE
(SHOWN FOR REFERENCE ONLY):

1 - 13 - 18 - PWR/DIM
3 - 14 - 17 - TEST
2 - 15 - 16 - SIGNAL (REF)
LT SW LT SW LT
ONLY BOTTOM TOP

ALL

MASTER DIM & TEST-PILOTS GLARESHIELD

33-16-16

Page 1

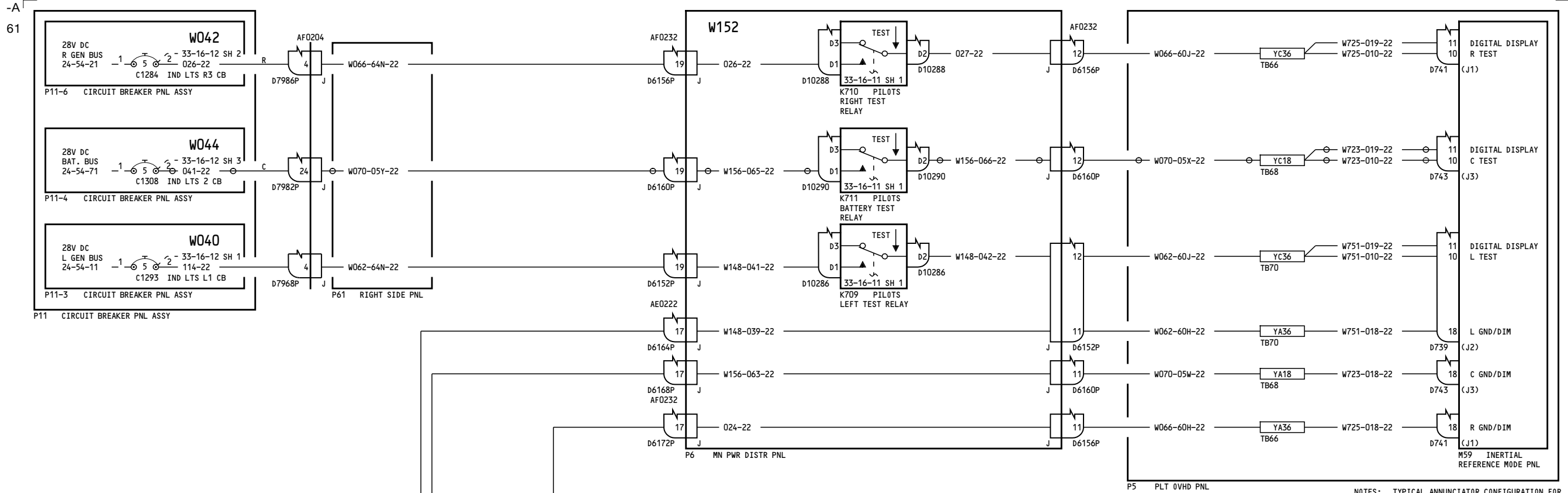
D280T132

Jan 21/2005

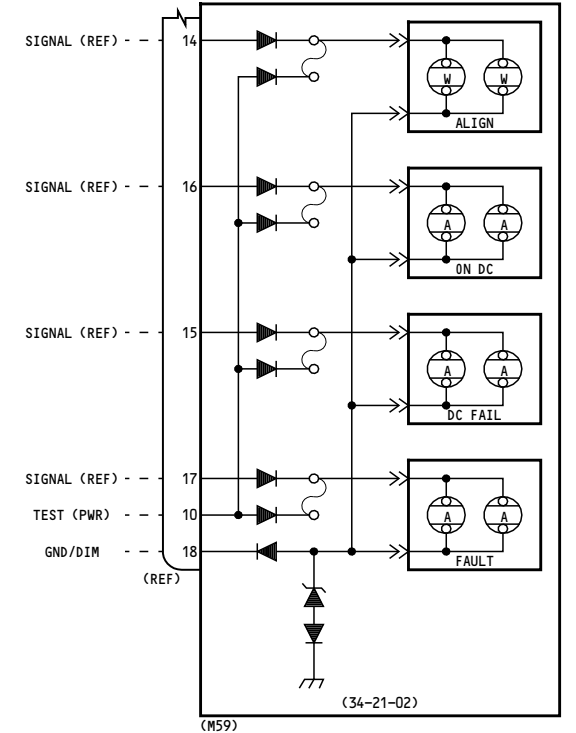
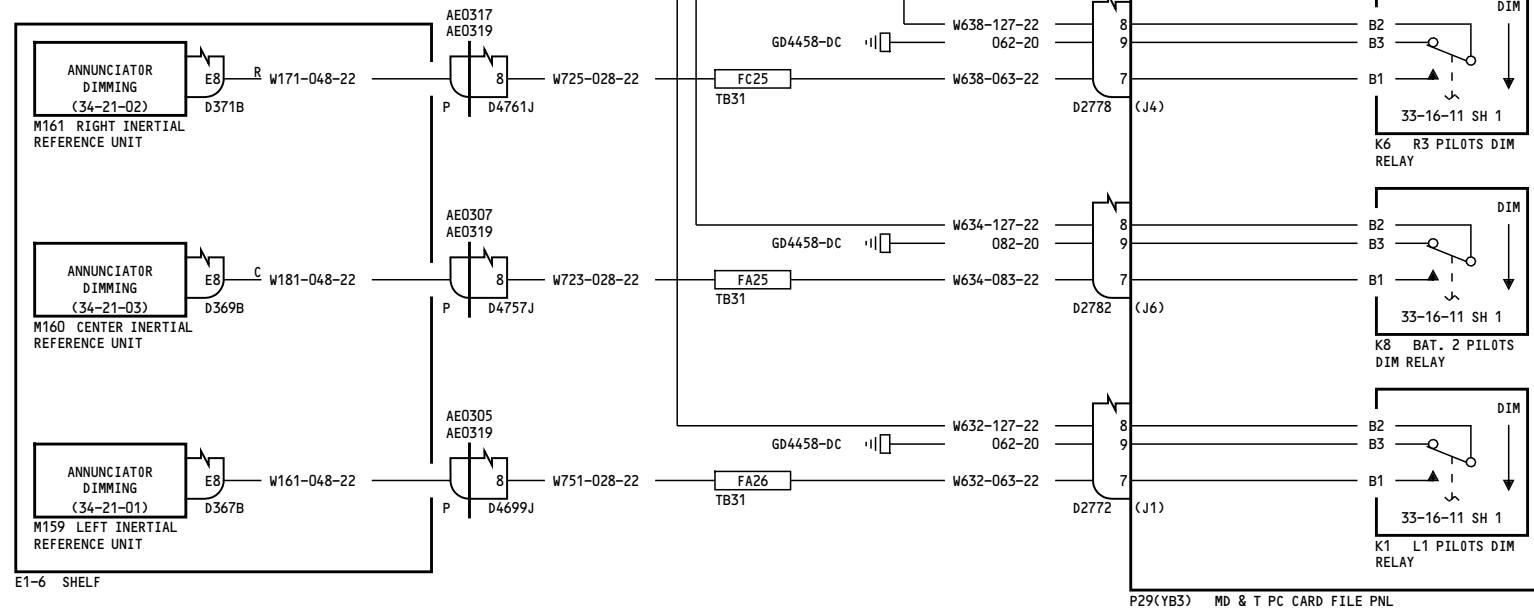
33-16-16

Page 1

Jan 21/2005



NOTES: TYPICAL ANNUNCIATOR CONFIGURATION FOR EACH INERTIAL REFERENCE SYSTEM IN M59 PNL (P5) (SHOWN FOR REFERENCE ONLY)



050-099

MASTER DIM & TEST-PILOTS OVERHEAD & OVERHEAD CB PANEL

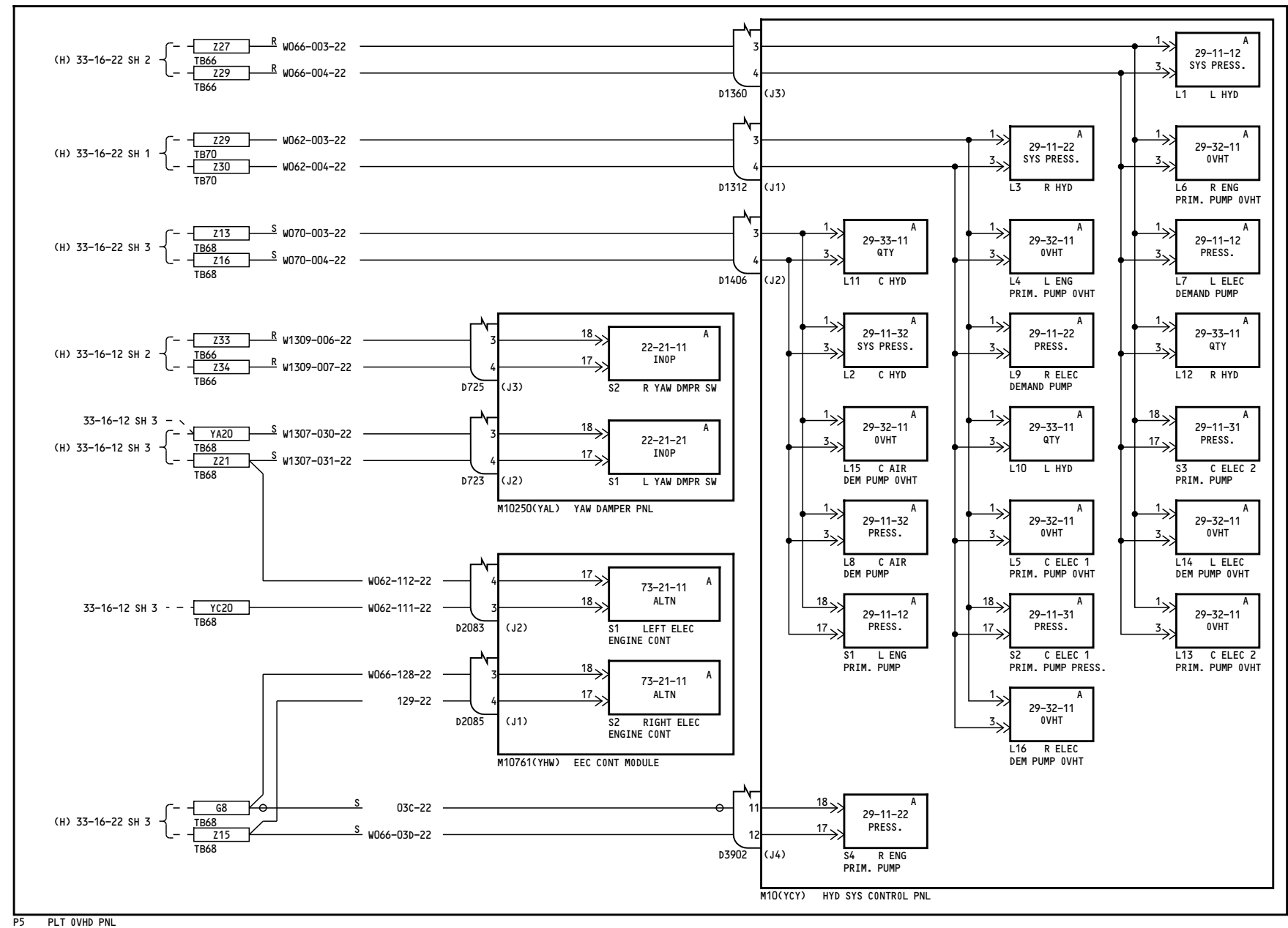
33-16-17

Page 1
Sheet 1
Jan 21/2005

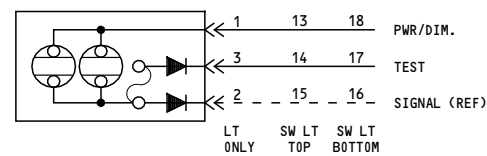
D280T132

33-16-17

Page 1
Sheet 1
Jan 21/2005



NOTES: TYPICAL ANNUNCIATOR
CONFIGURATION EXCEPT WHERE SHOWN
OTHERWISE (SHOWN FOR REFERENCE ONLY):



050-099

**MASTER DIM & TEST-
PILOTS OVERHEAD &
OVERHEAD CB PANEL**

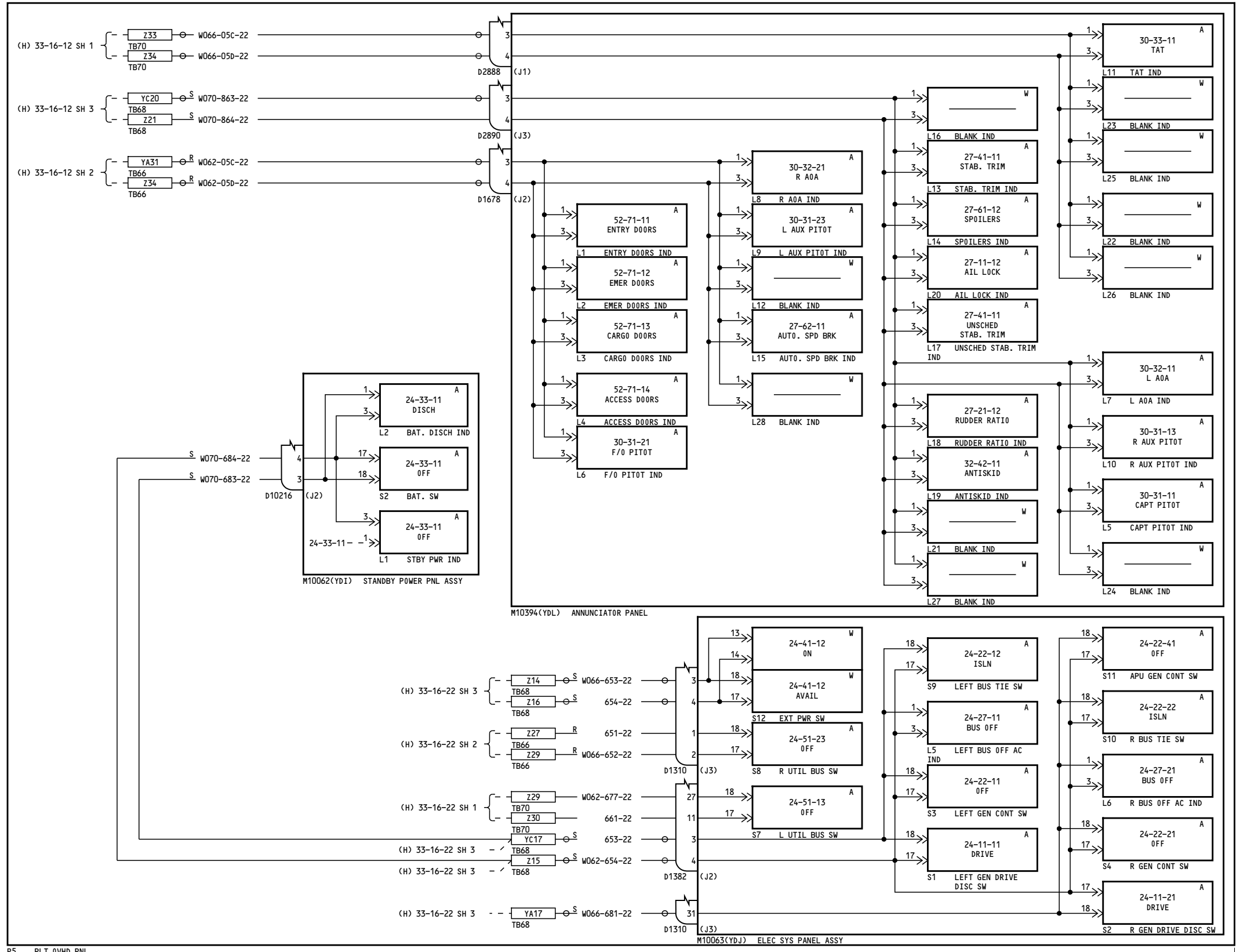
D280T132

33-16-17

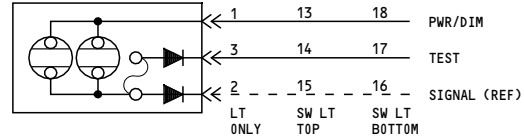
Page 1
Sheet 2
Jan 21/2005

33-16-17

Page 1
Sheet 2
Jan 21/2005



NOTES:
TYPICAL ANNUNCIATOR
CONFIGURATION EXCEPT
WHERE SHOWN OTHERWISE
(SHOWN FOR REFERENCE ONLY):



050-099

**MASTER DIM & TEST-
PILOTS OVERHEAD &
OVERHEAD CB PANEL**

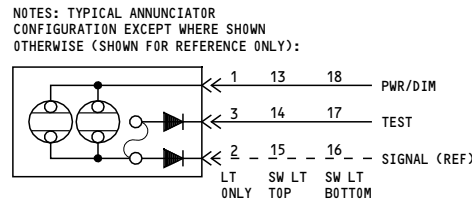
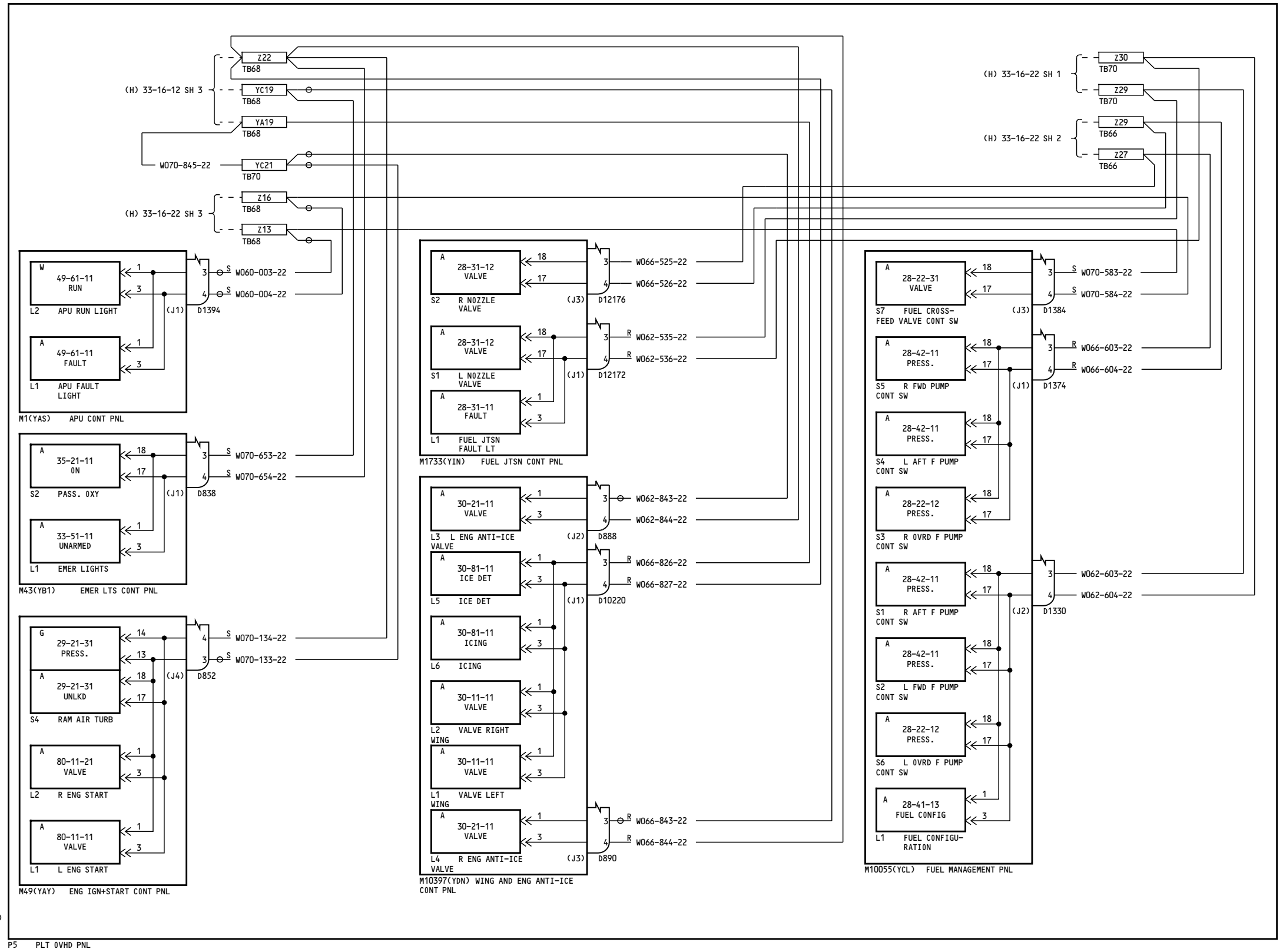
33-16-17

Page 1
Sheet 3
Jan 21/2005

D280T132

33-16-17

Page 1
Sheet 3
Jan 21/2005



050-099

MASTER DIM & TEST-PILOTS OVERHEAD & OVERHEAD CB PANEL

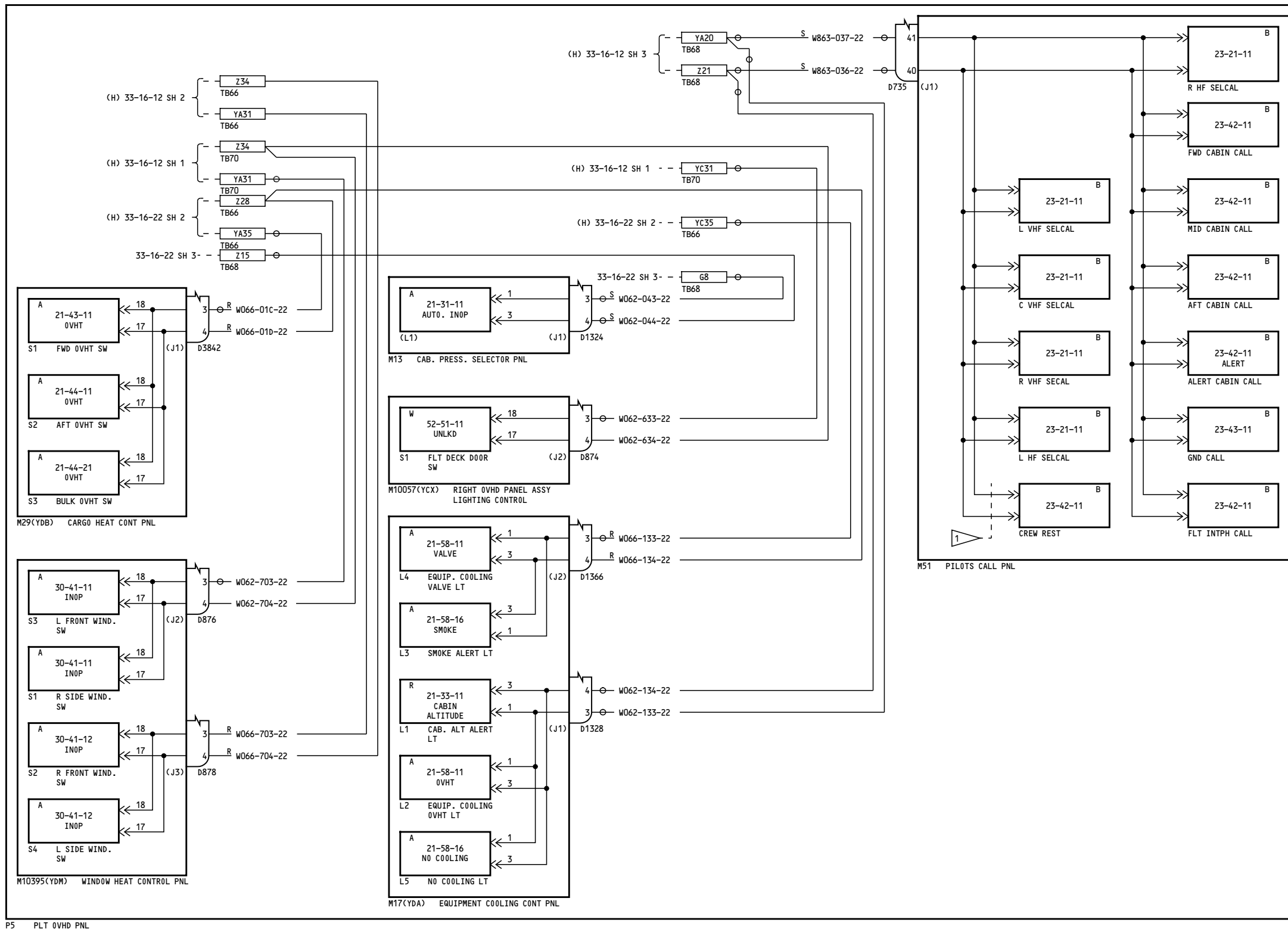
D280T132

33-16-17

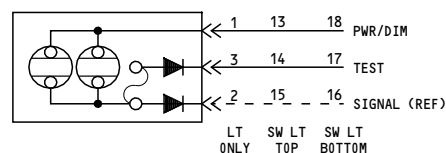
Page 1
Sheet 4
Jan 21/2005

33-16-17

Page 1
Sheet 4
Jan 21/2005



NOTES: TYPICAL ANNUNCIATOR CONFIGURATION EXCEPT WHERE SHOWN OTHERWISE (SHOWN FOR REFERENCE ONLY):



1 VF071-VF090 (051-149), VN163-VN166 (162-165)

050-099

MASTER DIM & TEST-PILOTS OVERHEAD & OVERHEAD CB PANEL

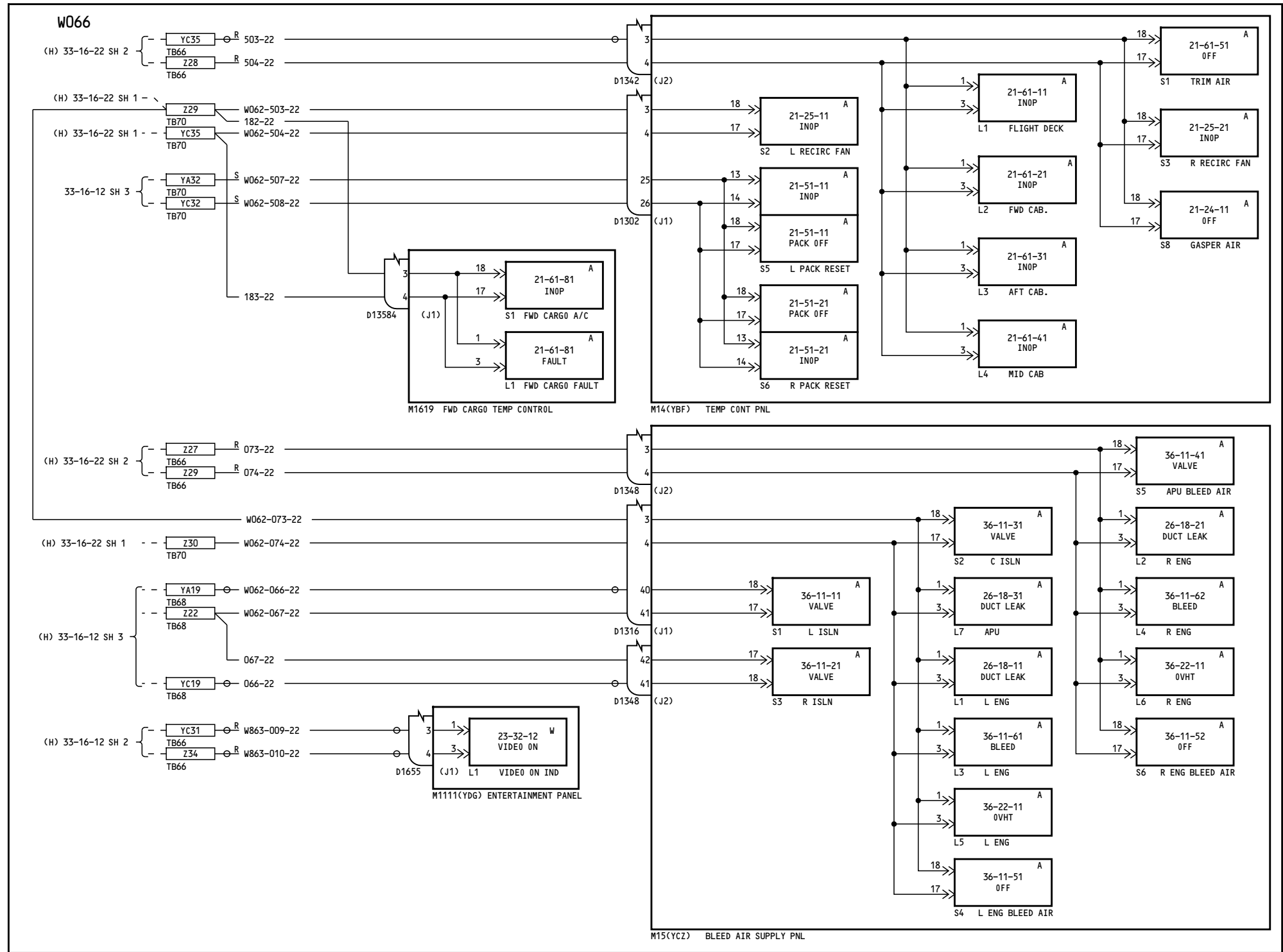
D280T132

33-16-17

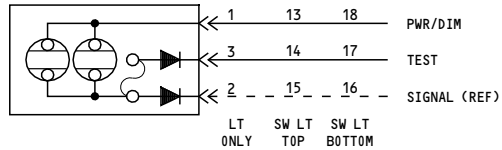
Page 1
Sheet 5
Jan 21/2005

33-16-17

Page 1
Sheet 5
Jan 21/2005



NOTES: TYPICAL ANNUNCIATOR CONFIGURATION EXCEPT WHERE SHOWN OTHERWISE (SHOWN FOR REFERENCE ONLY):



050-099

MASTER DIM & TEST-PILOTS OVERHEAD & OVERHEAD CB PANEL

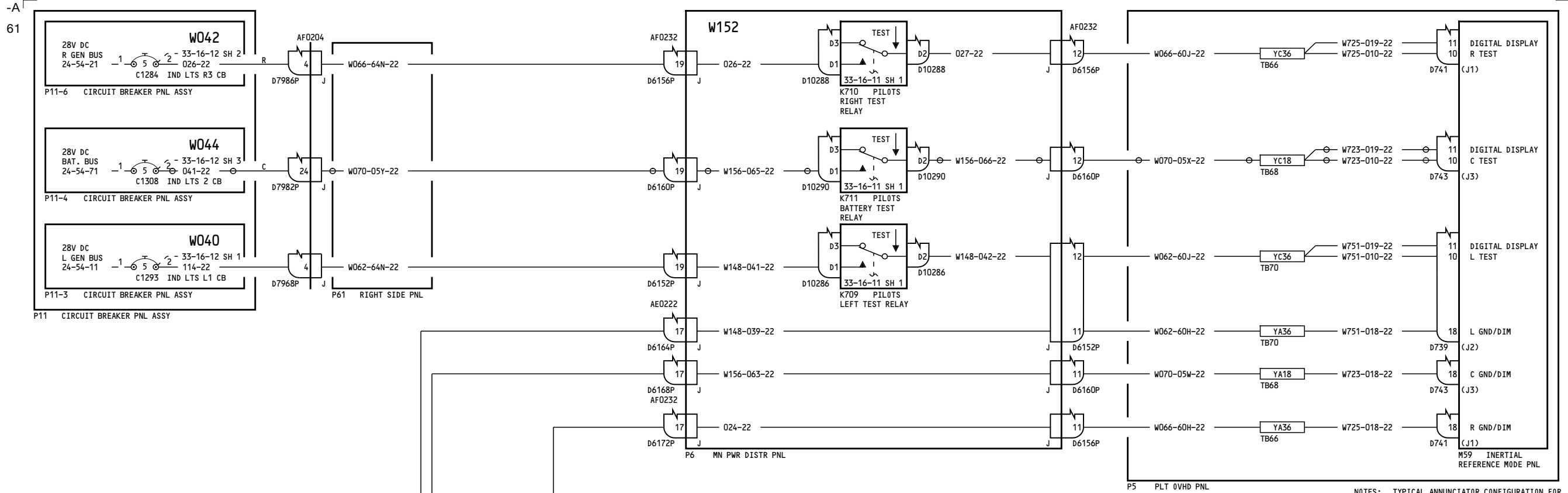
33-16-17

Page 1
Sheet 6
Jan 21/2005

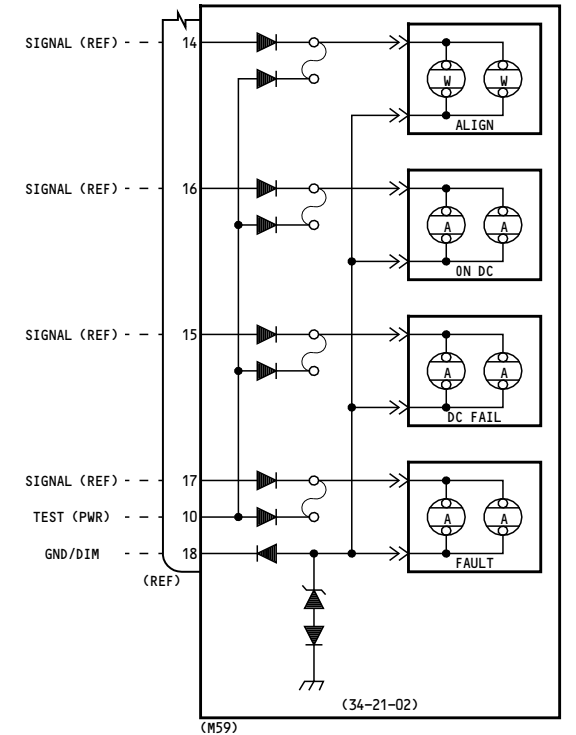
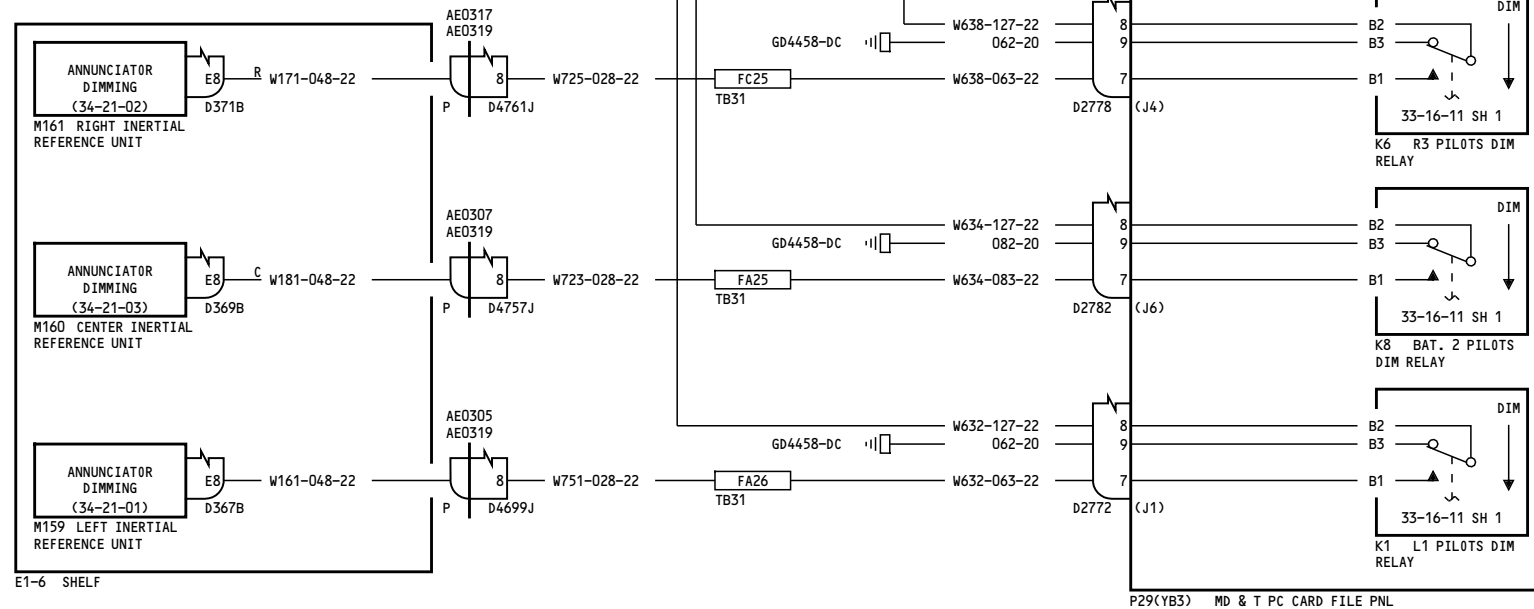
D280T132

33-16-17

Page 1
Sheet 6
Jan 21/2005



NOTES: TYPICAL ANNUNCIATOR CONFIGURATION FOR EACH INERTIAL REFERENCE SYSTEM IN M59 PNL (P5) (SHOWN FOR REFERENCE ONLY)



050-051

MASTER DIM & TEST-PILOTS OVERHEAD & OVERHEAD CB PANEL

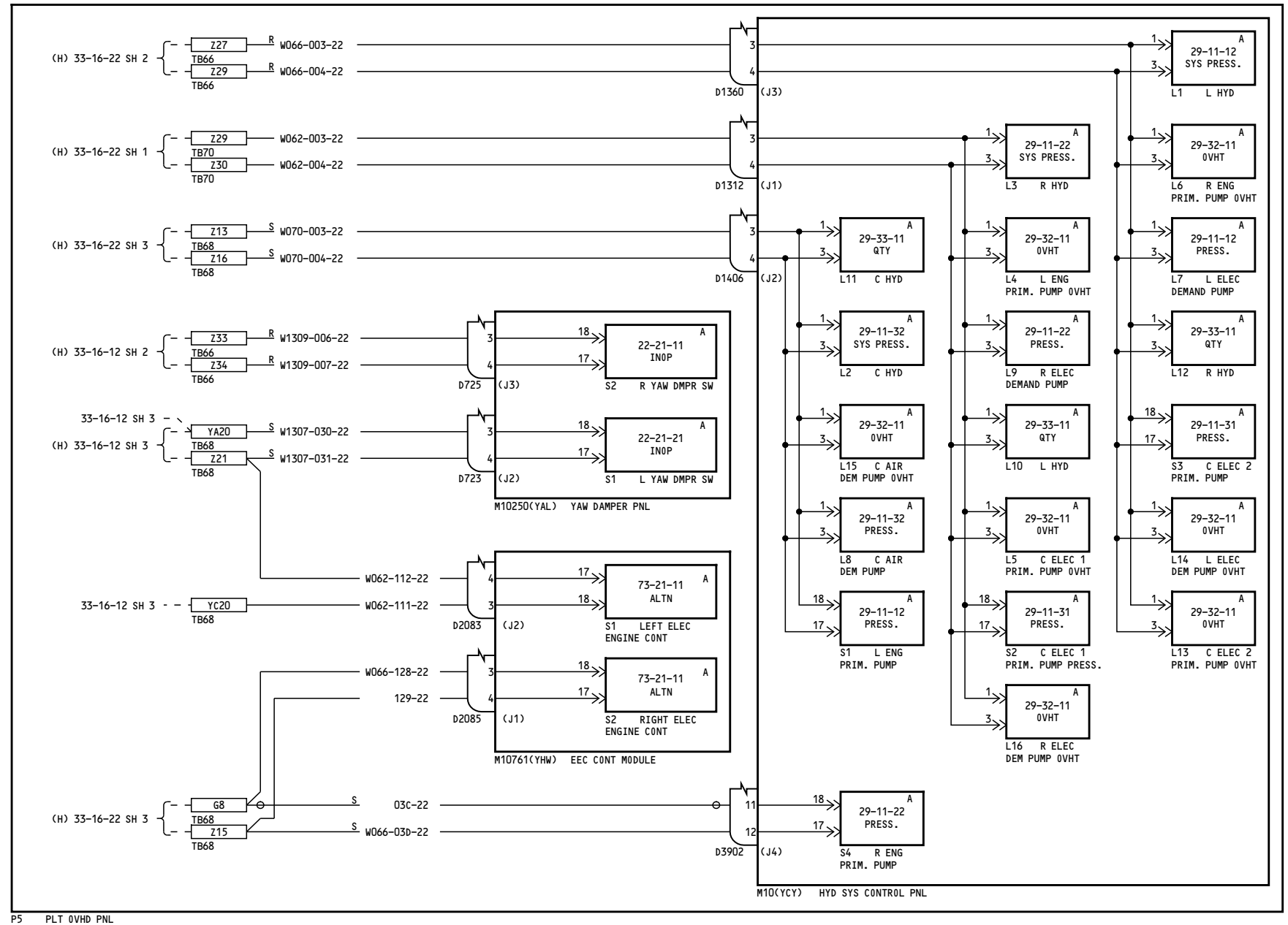
33-16-17

Page 1.1
Sheet 1
Jan 21/2005

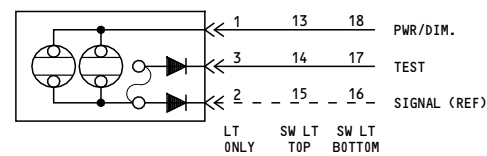
D280T132

33-16-17

Page 1.1
Sheet 1
Jan 21/2005



NOTES: TYPICAL ANNUNCIATOR CONFIGURATION EXCEPT WHERE SHOWN OTHERWISE (SHOWN FOR REFERENCE ONLY):



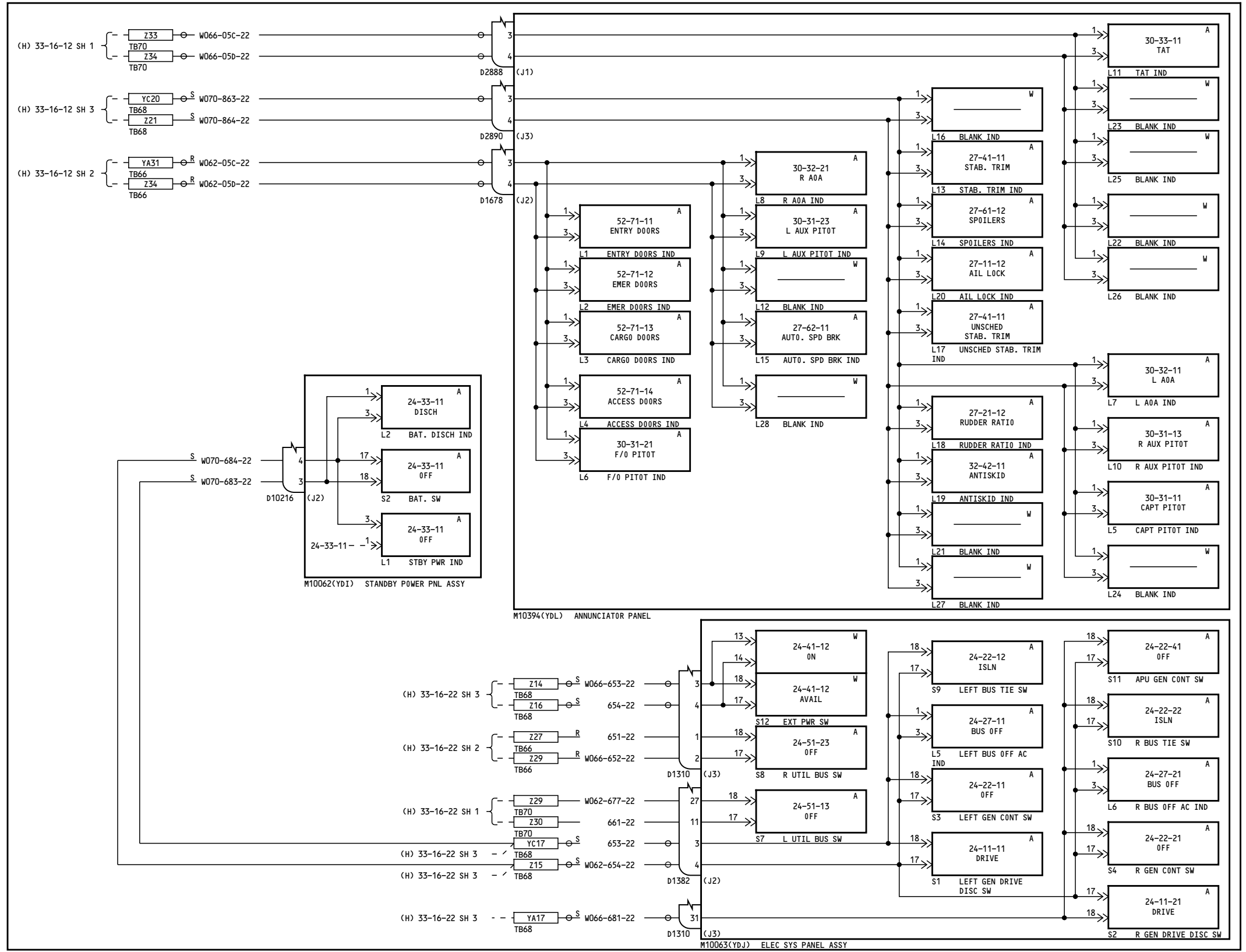
050-051

MASTER DIM & TEST-PILOTS OVERHEAD & OVERHEAD CB PANEL

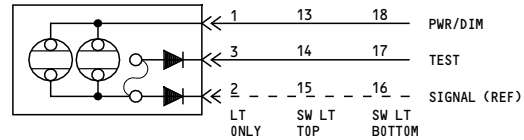
33-16-17

D280T132

33-16-17



NOTES:
TYPICAL ANNUNCIATOR
CONFIGURATION EXCEPT
WHERE SHOWN OTHERWISE
(SHOWN FOR REFERENCE ONLY):



050-051

MASTER DIM & TEST-PILOTS OVERHEAD & OVERHEAD CB PANEL

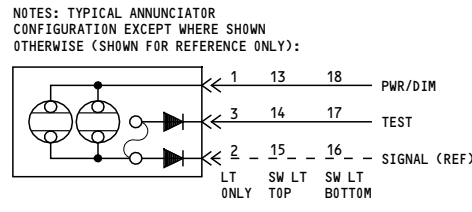
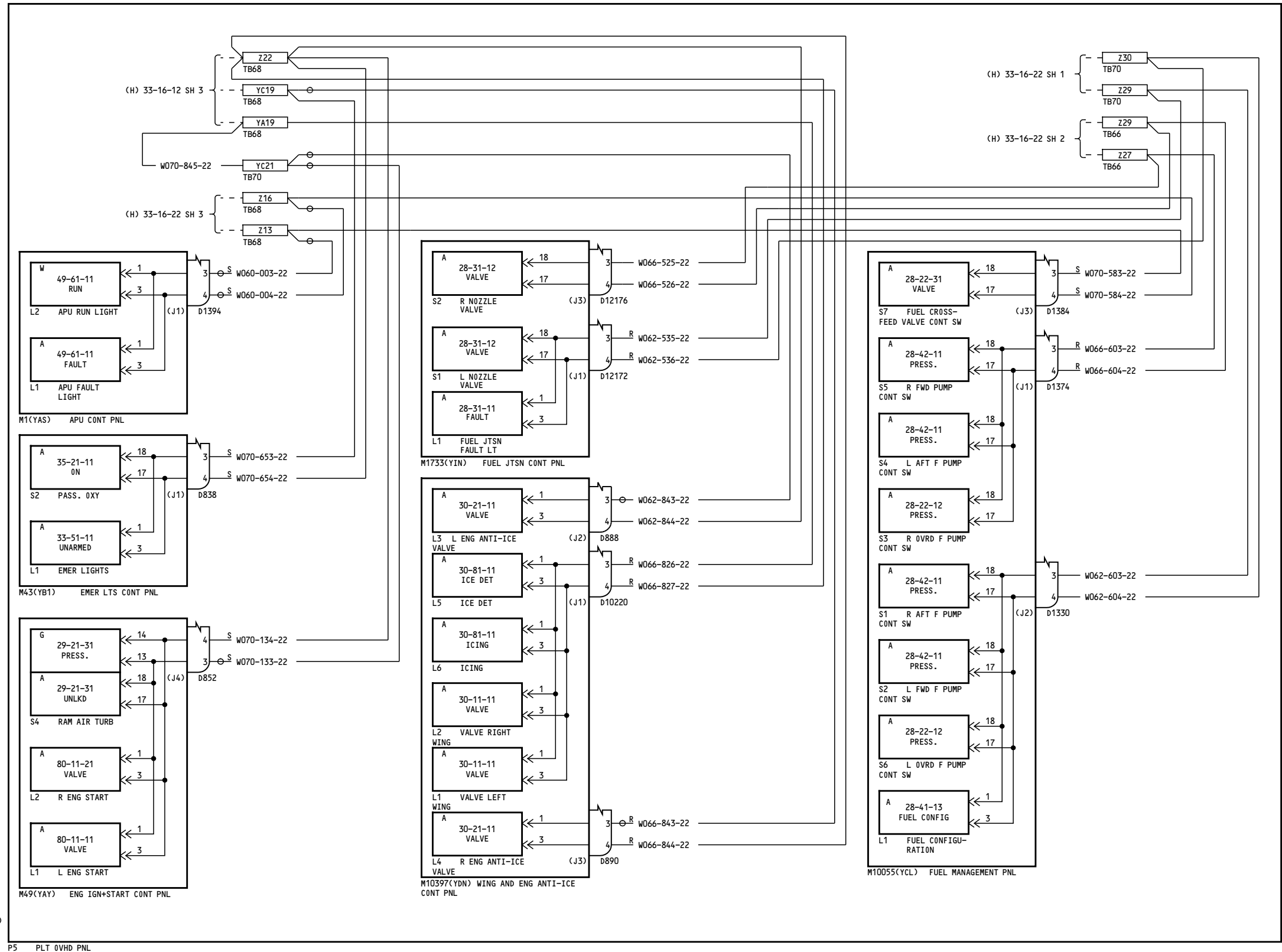
33-16-17

Page 1.1
Sheet 3
Jan 21/2005

D280T132

33-16-17

Page 1.1
Sheet 3
Jan 21/2005



050-051

MASTER DIM & TEST-PILOTS OVERHEAD & OVERHEAD CB PANEL

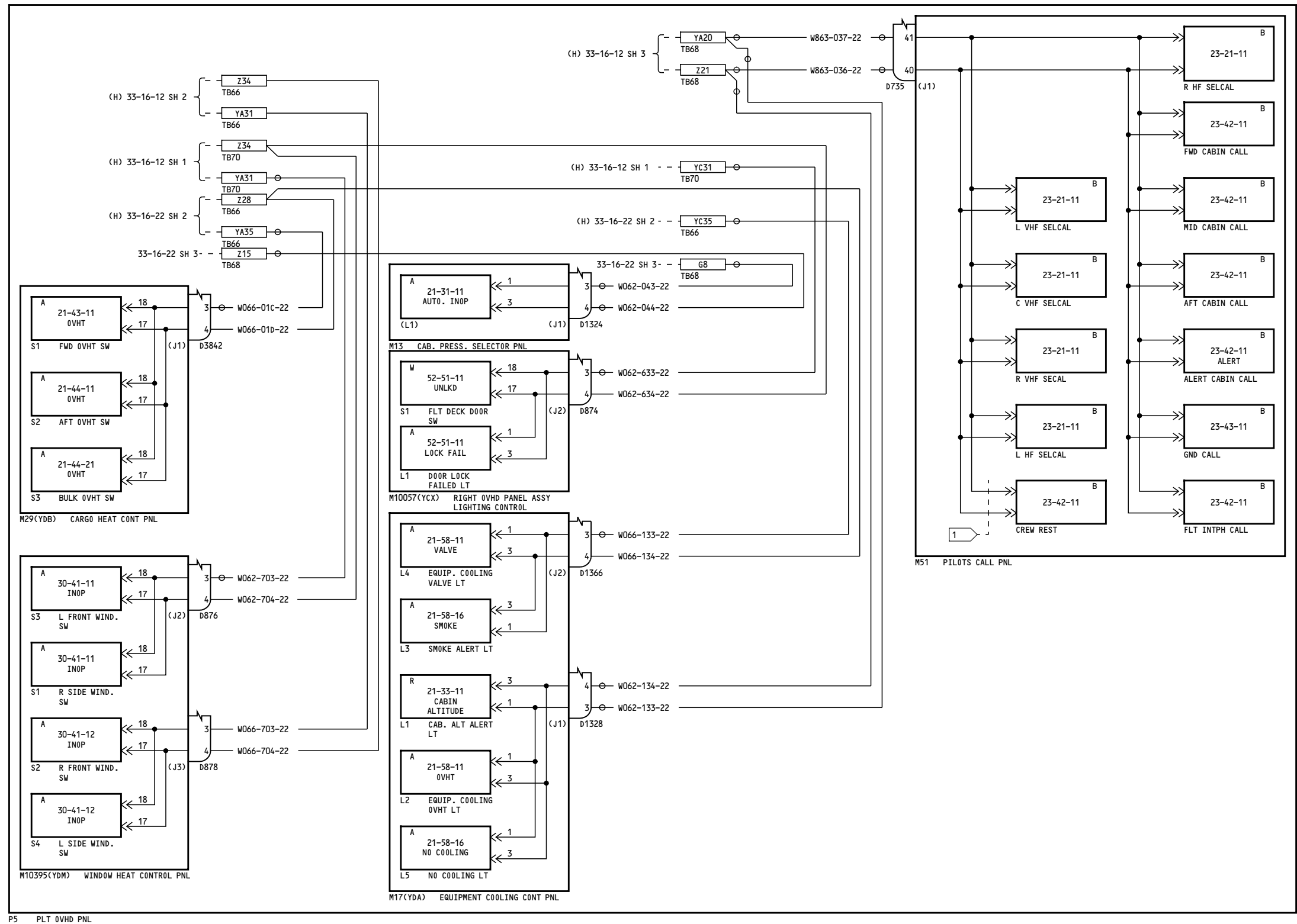
D280T132

33-16-17

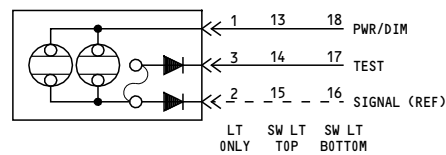
Page 1.1
Sheet 4
Jan 21/2005

33-16-17

Page 1.1
Sheet 4
Jan 21/2005



NOTES: TYPICAL ANNUNCIATOR CONFIGURATION EXCEPT WHERE SHOWN OTHERWISE (SHOWN FOR REFERENCE ONLY):



1 VF071-VF090 (051-149), VN163-VN166 (162-165)

P5 PLT OVHD PNL

050-051

MASTER DIM & TEST-PILOTS OVERHEAD & OVERHEAD CB PANEL

D280T132

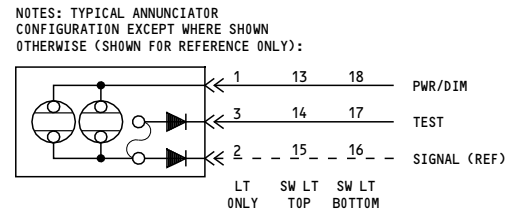
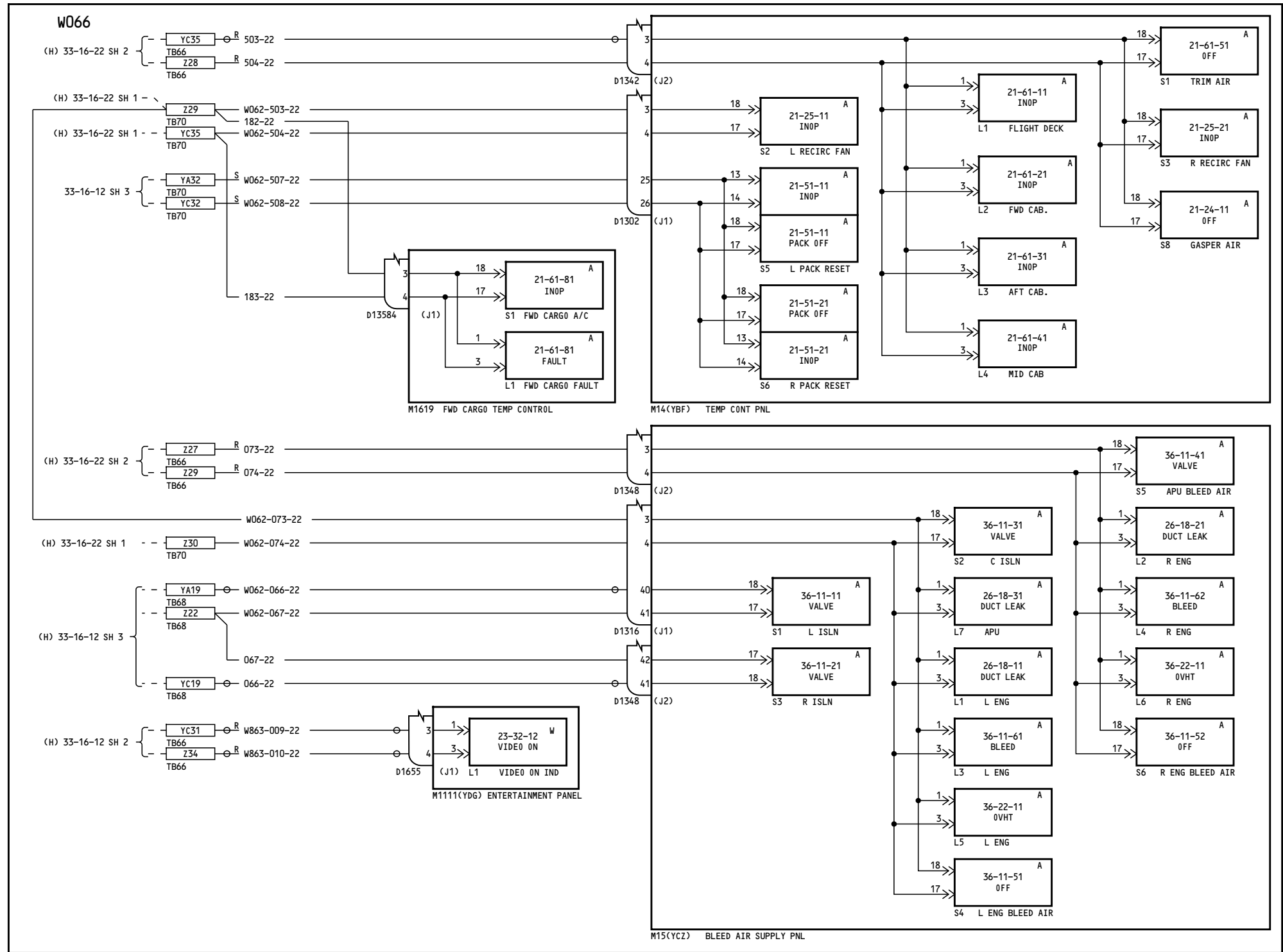
33-16-17

Page 1.1
Sheet 5
Jan 21/2005

Incorporates
25-0325

33-16-17

Page 1.1
Sheet 5
Jan 21/2005



050-051

MASTER DIM & TEST-PILOTS OVERHEAD & OVERHEAD CB PANEL

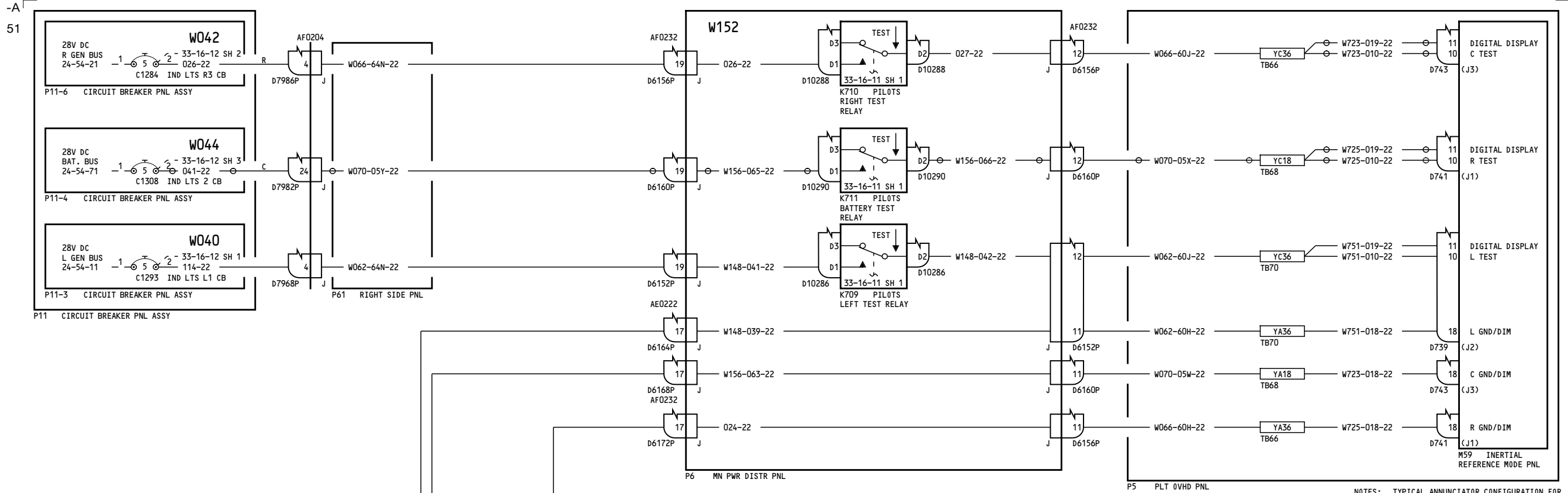
33-16-17

Page 1.1
Sheet 6
Jan 21/2005

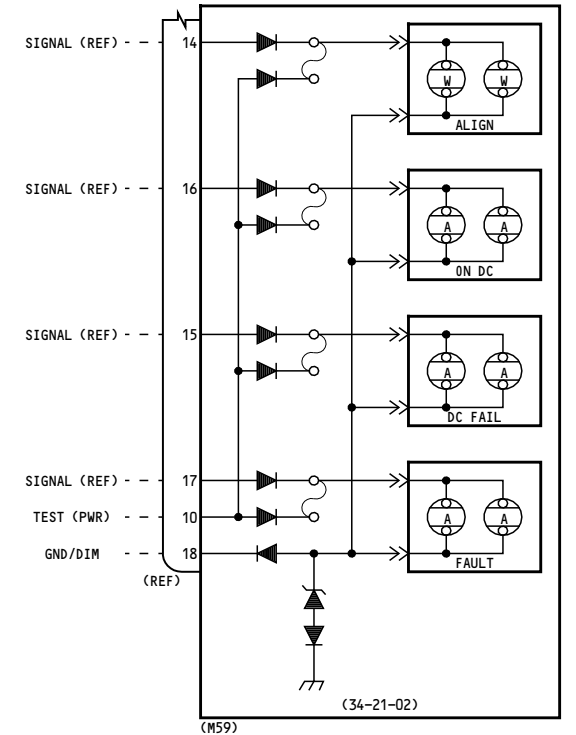
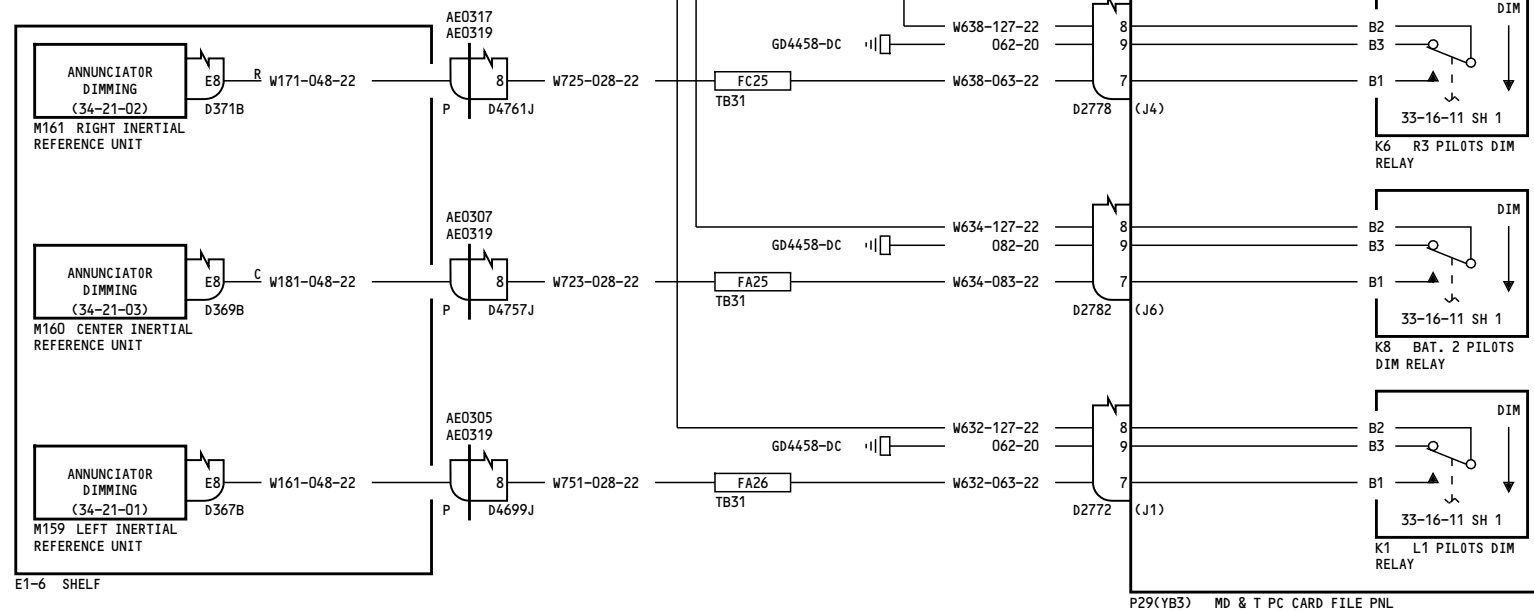
D280T132

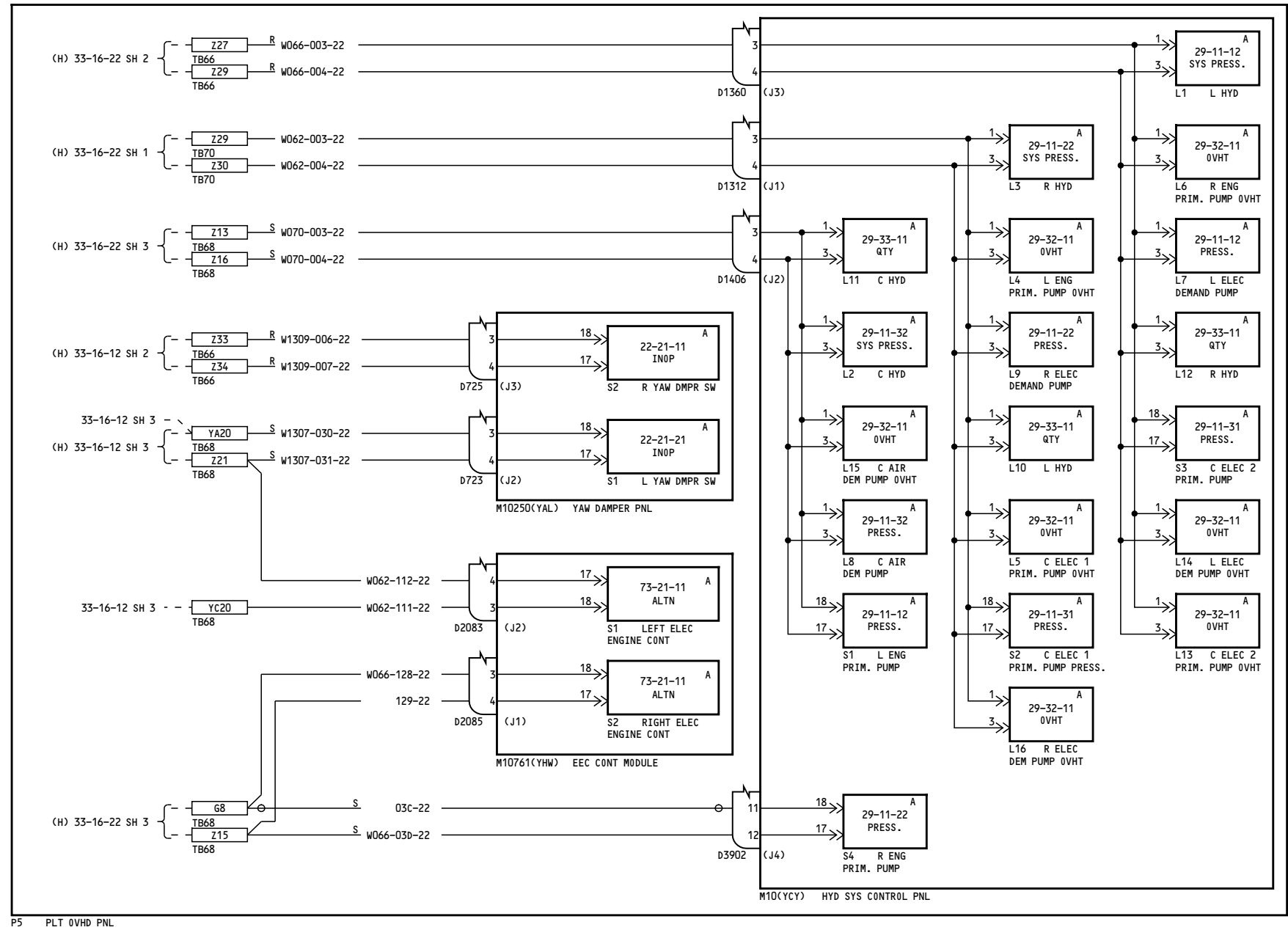
33-16-17

Page 1.1
Sheet 6
Jan 21/2005

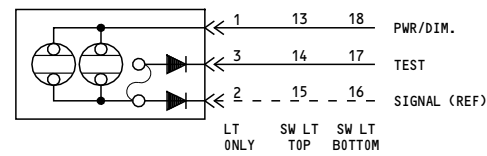


NOTES: TYPICAL ANNUNCIATOR CONFIGURATION FOR EACH INERTIAL REFERENCE SYSTEM IN M59 PNL (P5) (SHOWN FOR REFERENCE ONLY)





NOTES: TYPICAL ANNUNCIATOR CONFIGURATION EXCEPT WHERE SHOWN OTHERWISE (SHOWN FOR REFERENCE ONLY):



150, 153

MASTER DIM & TEST-PILOTS OVERHEAD & OVERHEAD CB PANEL

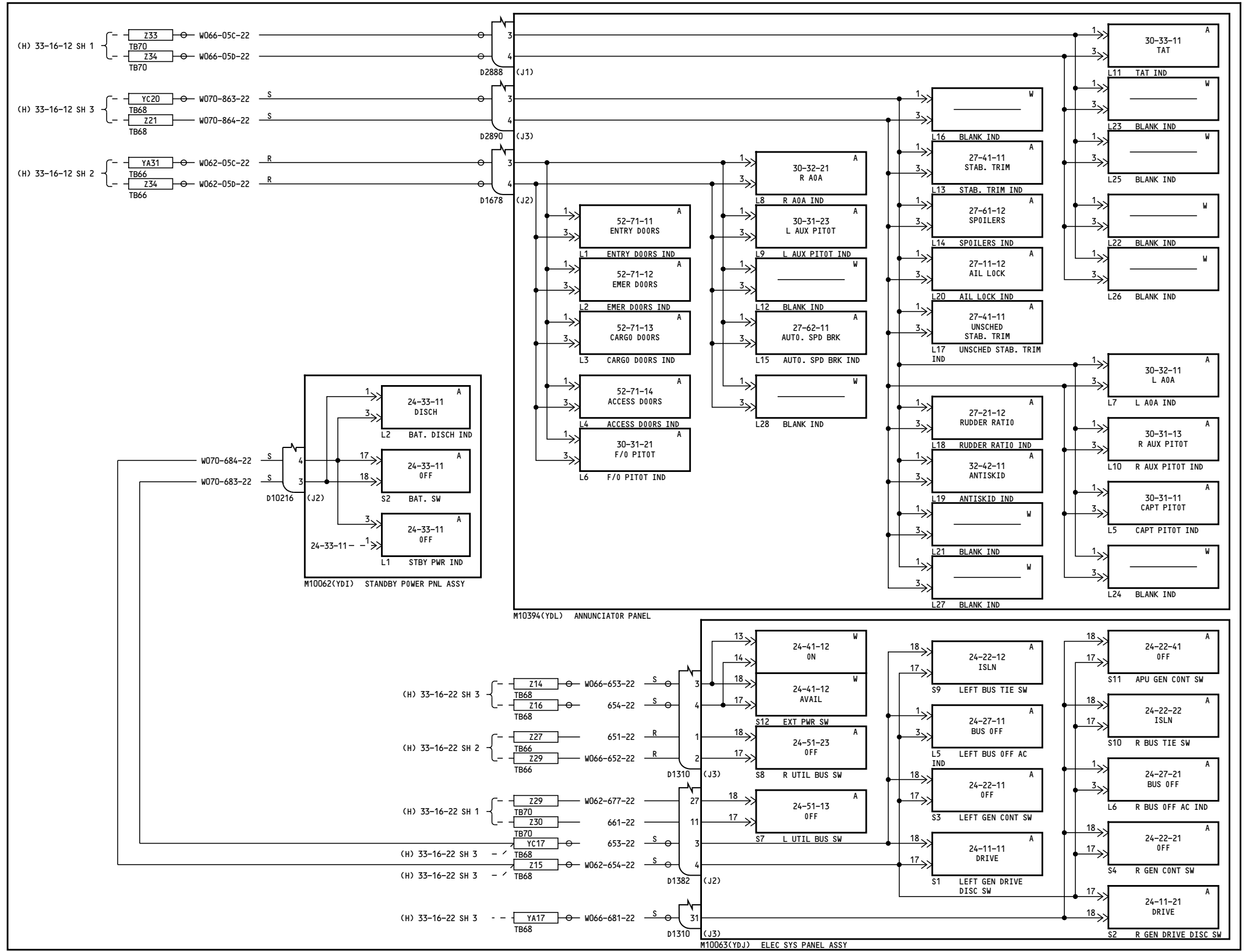
33-16-17

Page 2.1A
Sheet 2
Jan 21/2005

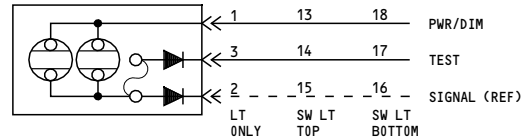
D280T132

33-16-17

Page 2.1A
Sheet 2
Jan 21/2005



NOTES:
TYPICAL ANNUNCIATOR
CONFIGURATION EXCEPT
WHERE SHOWN OTHERWISE
(SHOWN FOR REFERENCE ONLY):



150, 153

MASTER DIM & TEST-PILOTS OVERHEAD & OVERHEAD CB PANEL

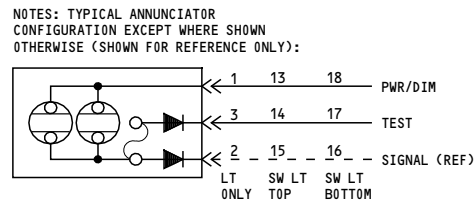
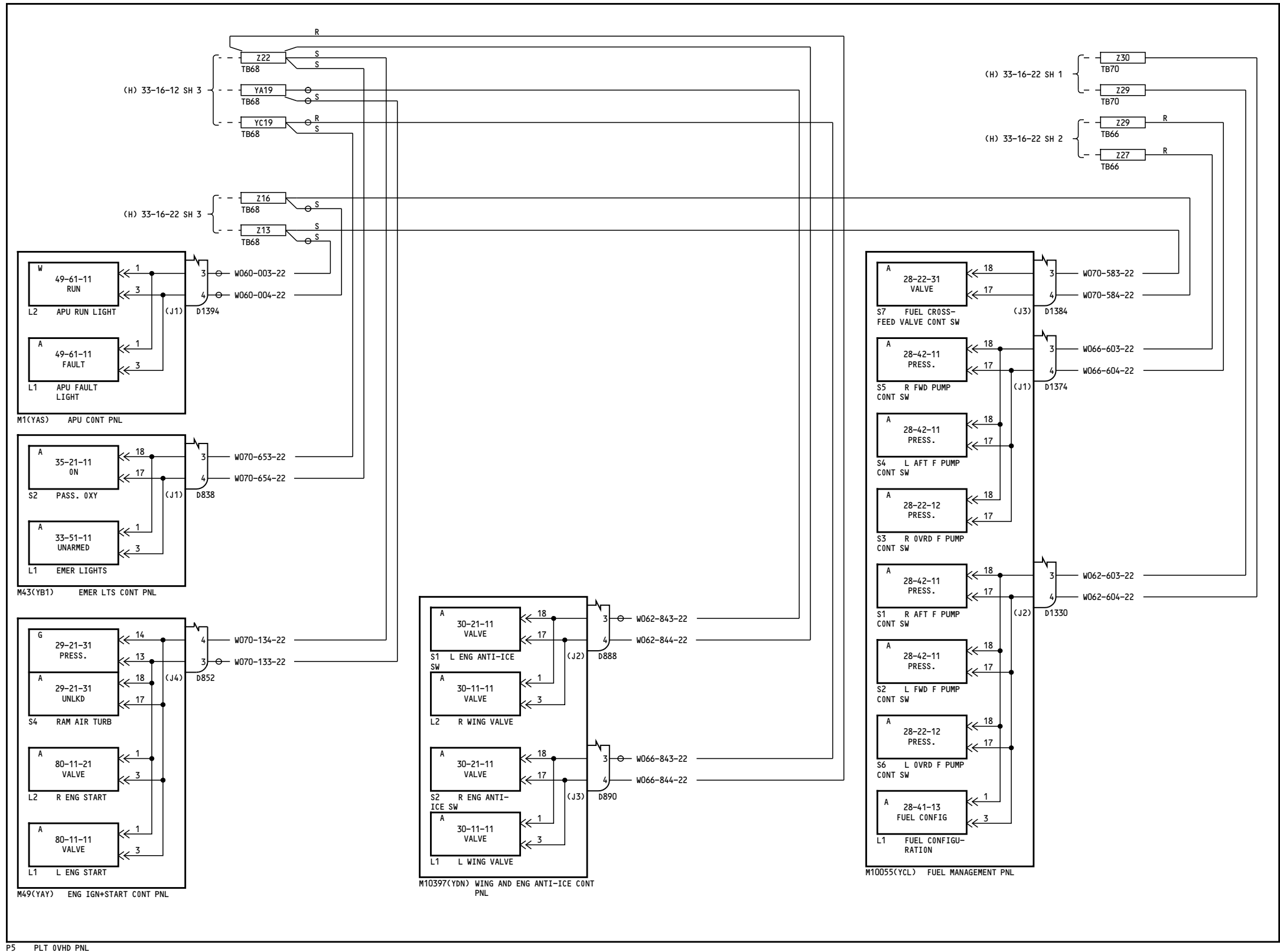
33-16-17

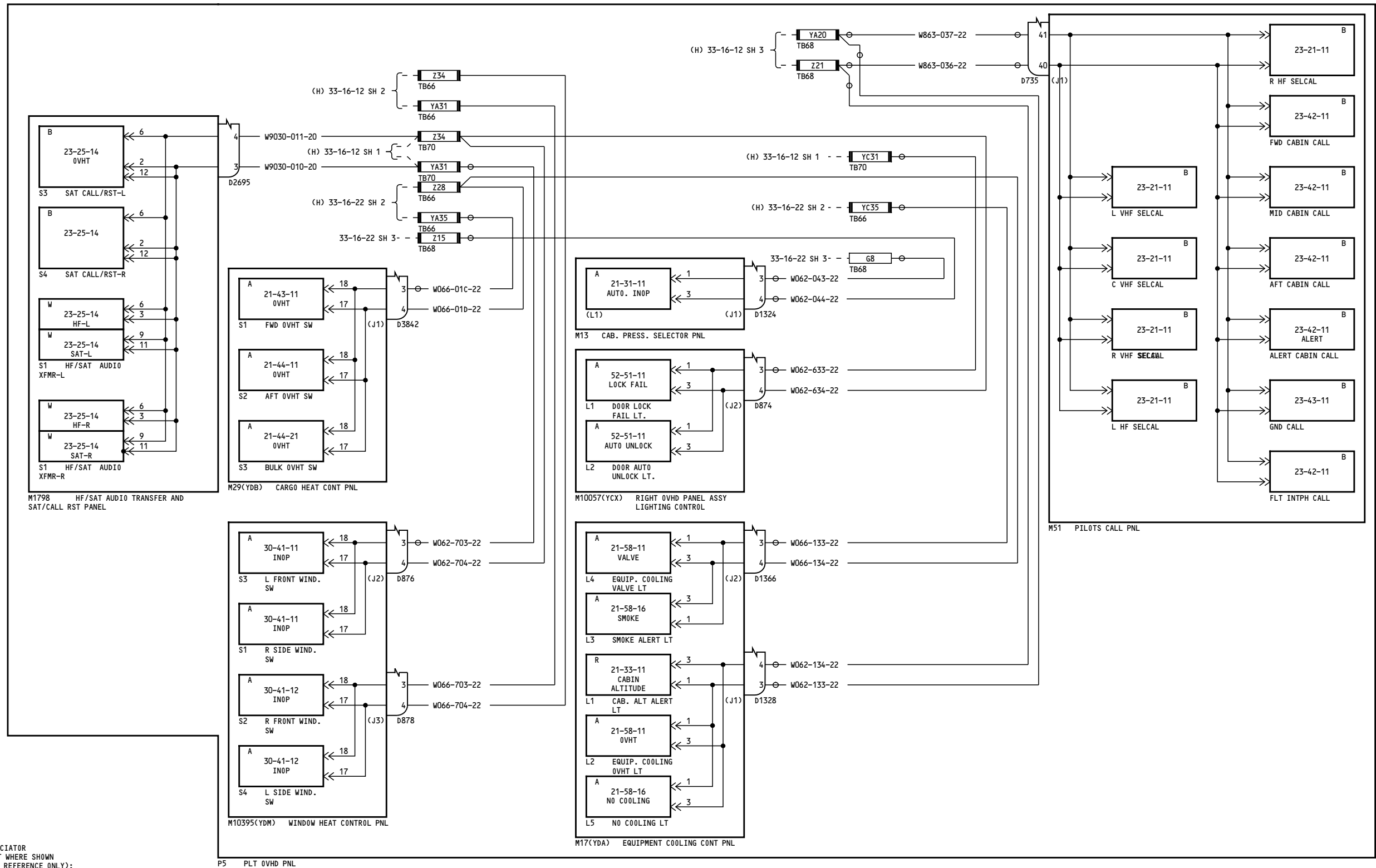
Page 2.1A
Sheet 3
Jan 21/2005

D280T132

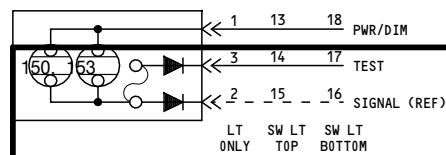
33-16-17

Page 2.1A
Sheet 3
Jan 21/2005





NOTES: TYPICAL ANNUNCIATOR CONFIGURATION EXCEPT WHERE SHOWN OTHERWISE (SHOWN FOR REFERENCE ONLY):



MASTER DIM & TEST-PILOTS OVERHEAD & OVERHEAD CB PANEL

D280T132

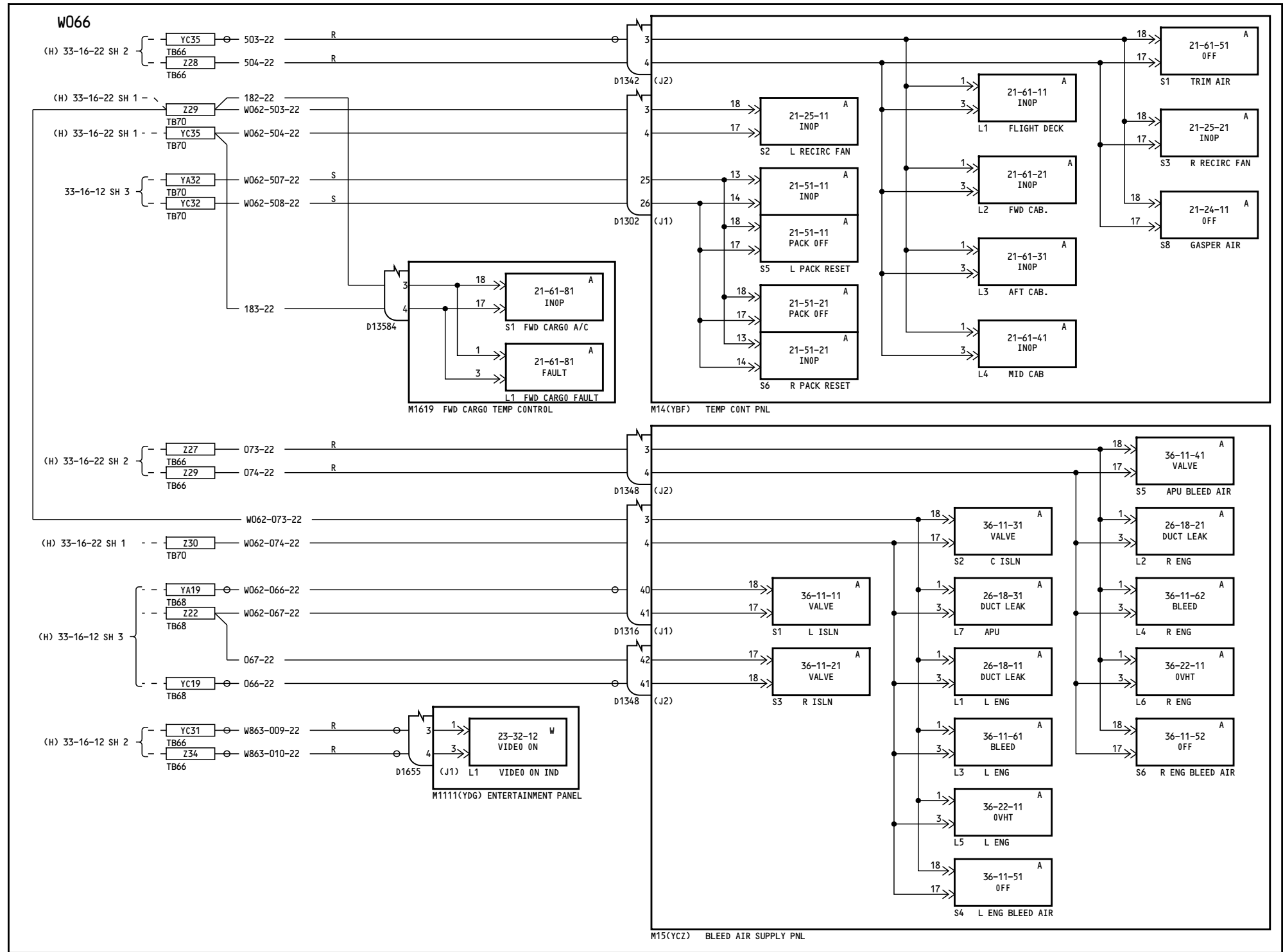
33-16-17

Page 2.1A
Sheet 5
Jan 21/2005

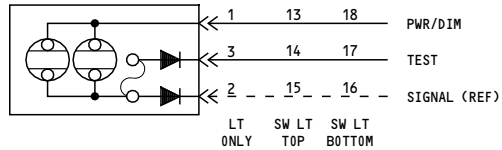
Incorporates
25-0332
MTO 230593

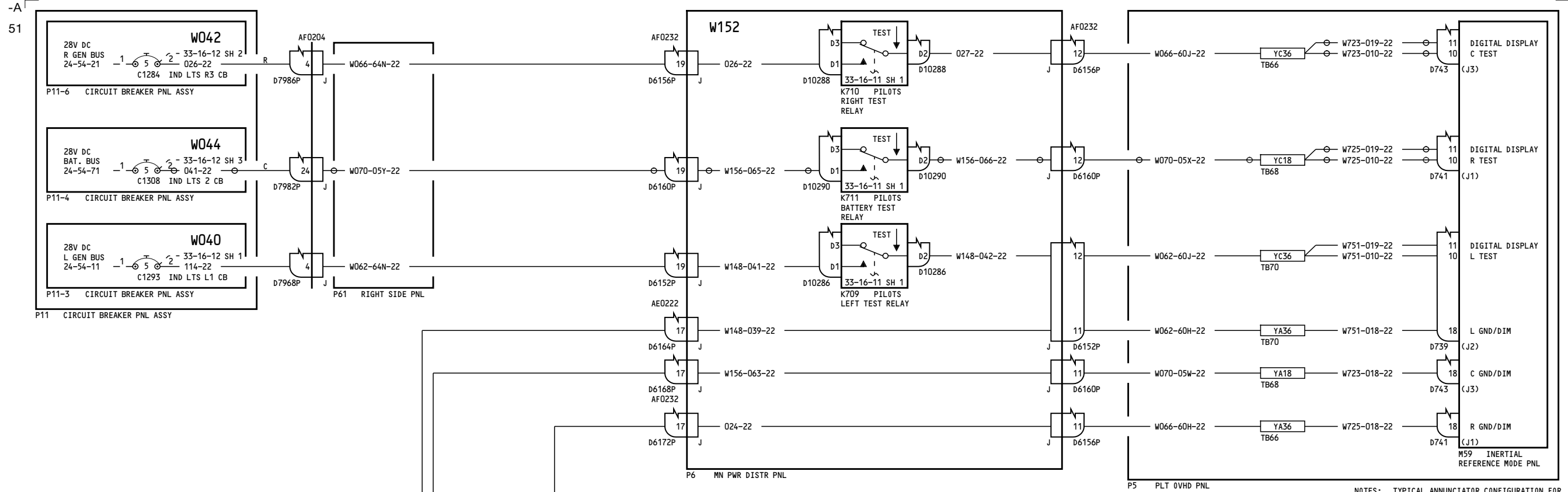
33-16-17

Page 2.1A
Sheet 5
Jan 21/2005

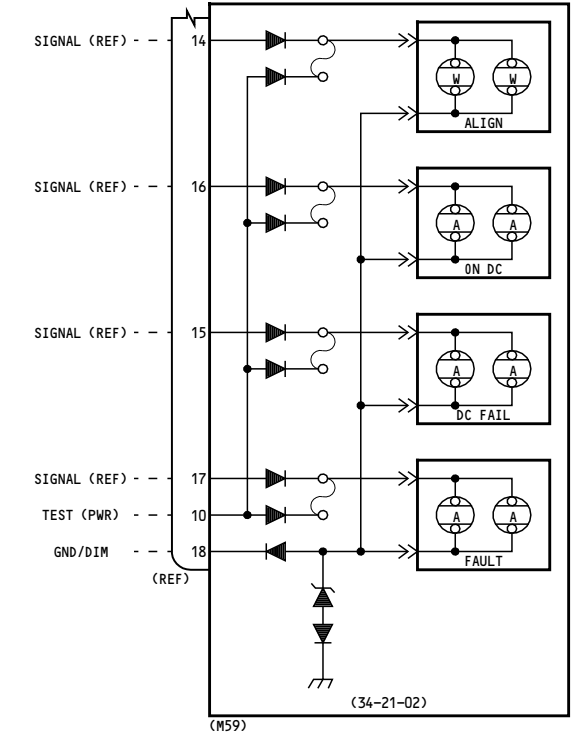
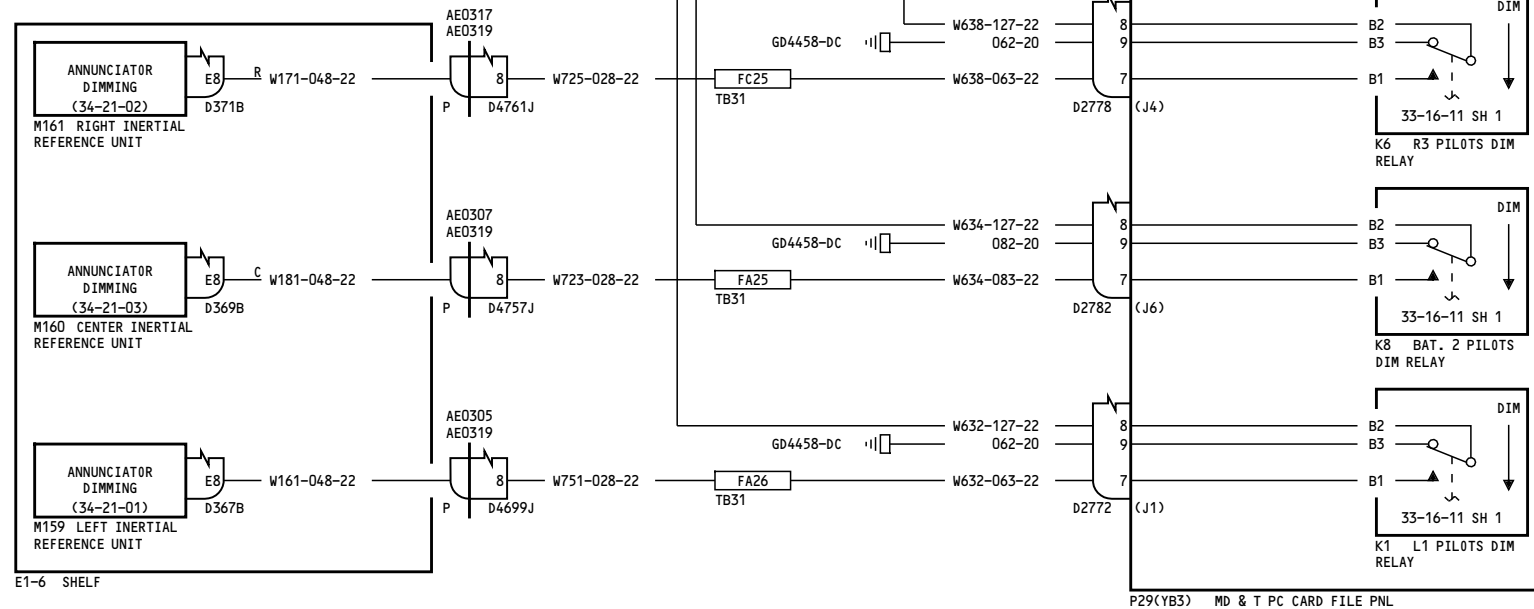


NOTES: TYPICAL ANNUNCIATOR
CONFIGURATION EXCEPT WHERE SHOWN
OTHERWISE (SHOWN FOR REFERENCE ONLY):





NOTES: TYPICAL ANNUNCIATOR CONFIGURATION FOR EACH INERTIAL REFERENCE SYSTEM IN M59 PNL (P5) (SHOWN FOR REFERENCE ONLY)



151-152

MASTER DIM & TEST-PILOTS OVERHEAD & OVERHEAD CB PANEL

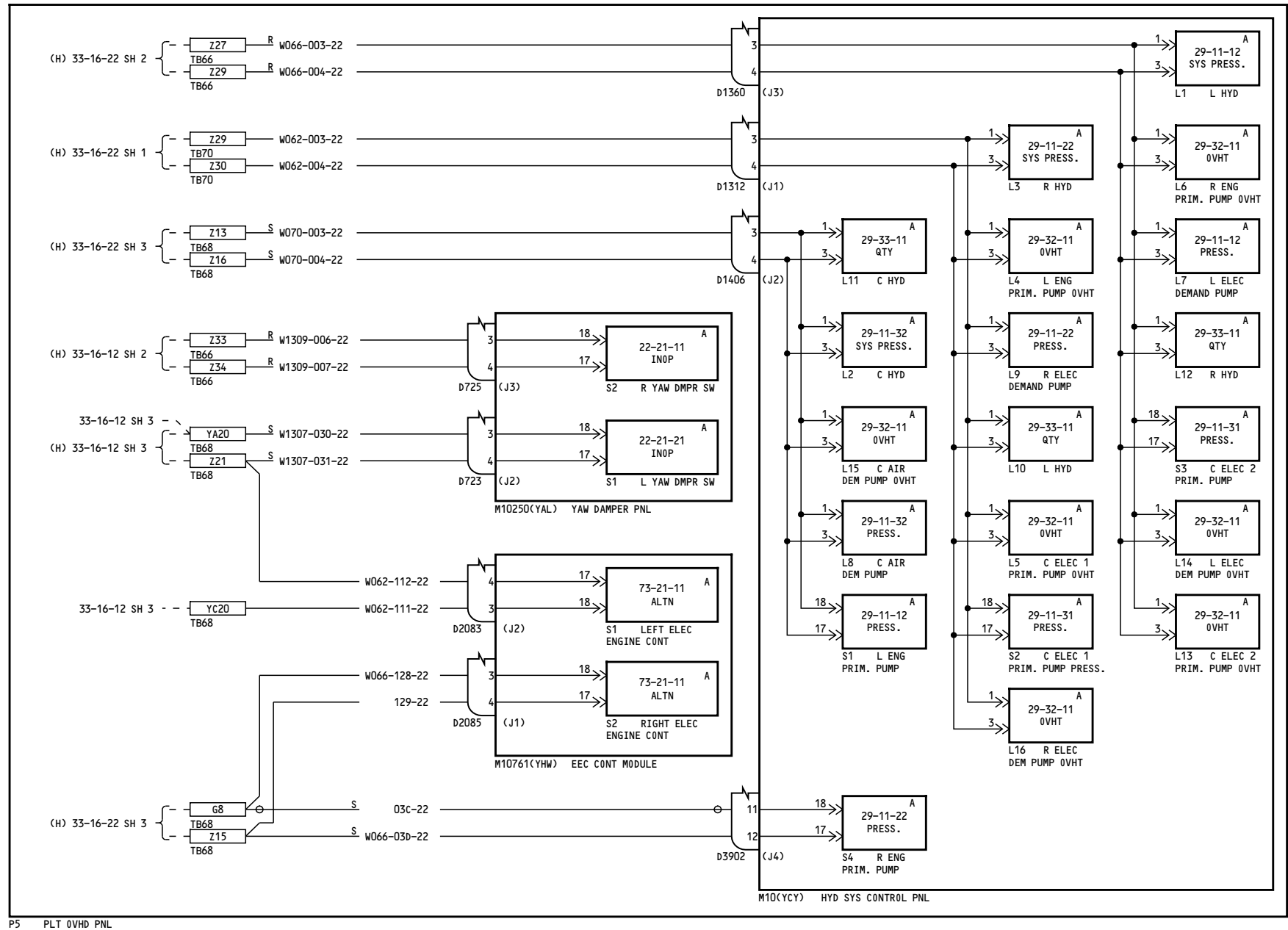
D280T132

33-16-17

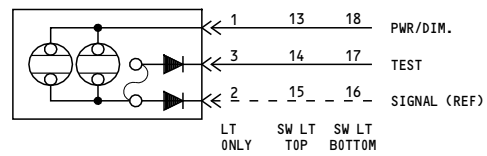
Page 3
Sheet 1
Jan 21/2005

33-16-17

Page 3
Sheet 1
Jan 21/2005



NOTES: TYPICAL ANNUNCIATOR
CONFIGURATION EXCEPT WHERE SHOWN
OTHERWISE (SHOWN FOR REFERENCE ONLY):



151-152

**MASTER DIM & TEST-
PILOTS OVERHEAD &
OVERHEAD CB PANEL**

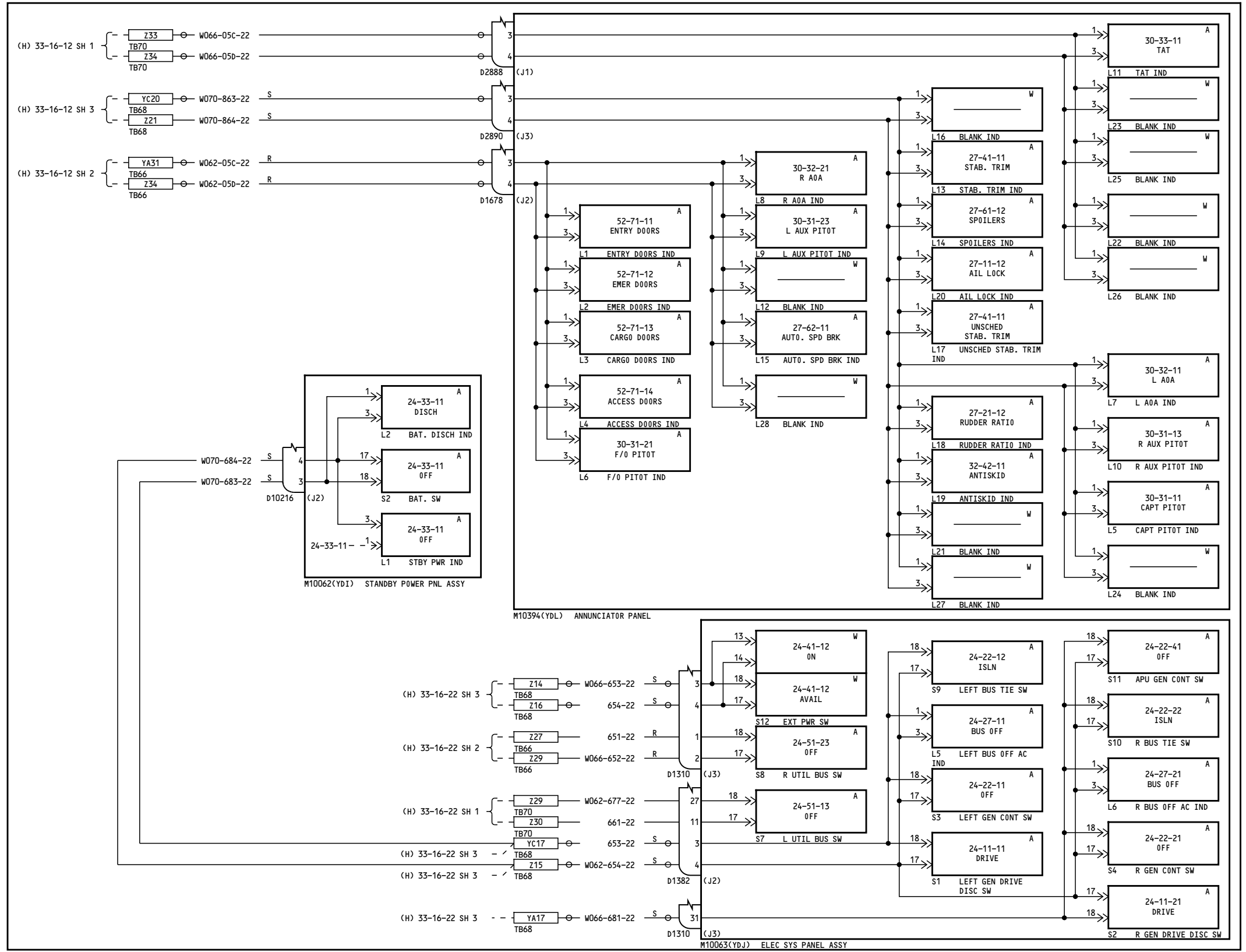
33-16-17

Page 3
Sheet 2
Jan 21/2005

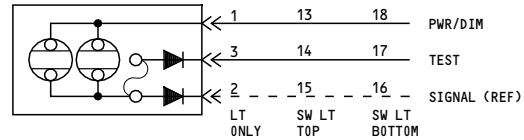
D280T132

33-16-17

Page 3
Sheet 2
Jan 21/2005



NOTES:
TYPICAL ANNUNCIATOR
CONFIGURATION EXCEPT
WHERE SHOWN OTHERWISE
(SHOWN FOR REFERENCE ONLY):



151-152

**MASTER DIM & TEST-
PILOTS OVERHEAD &
OVERHEAD CB PANEL**

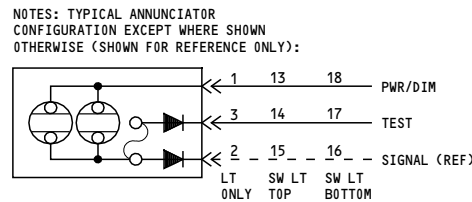
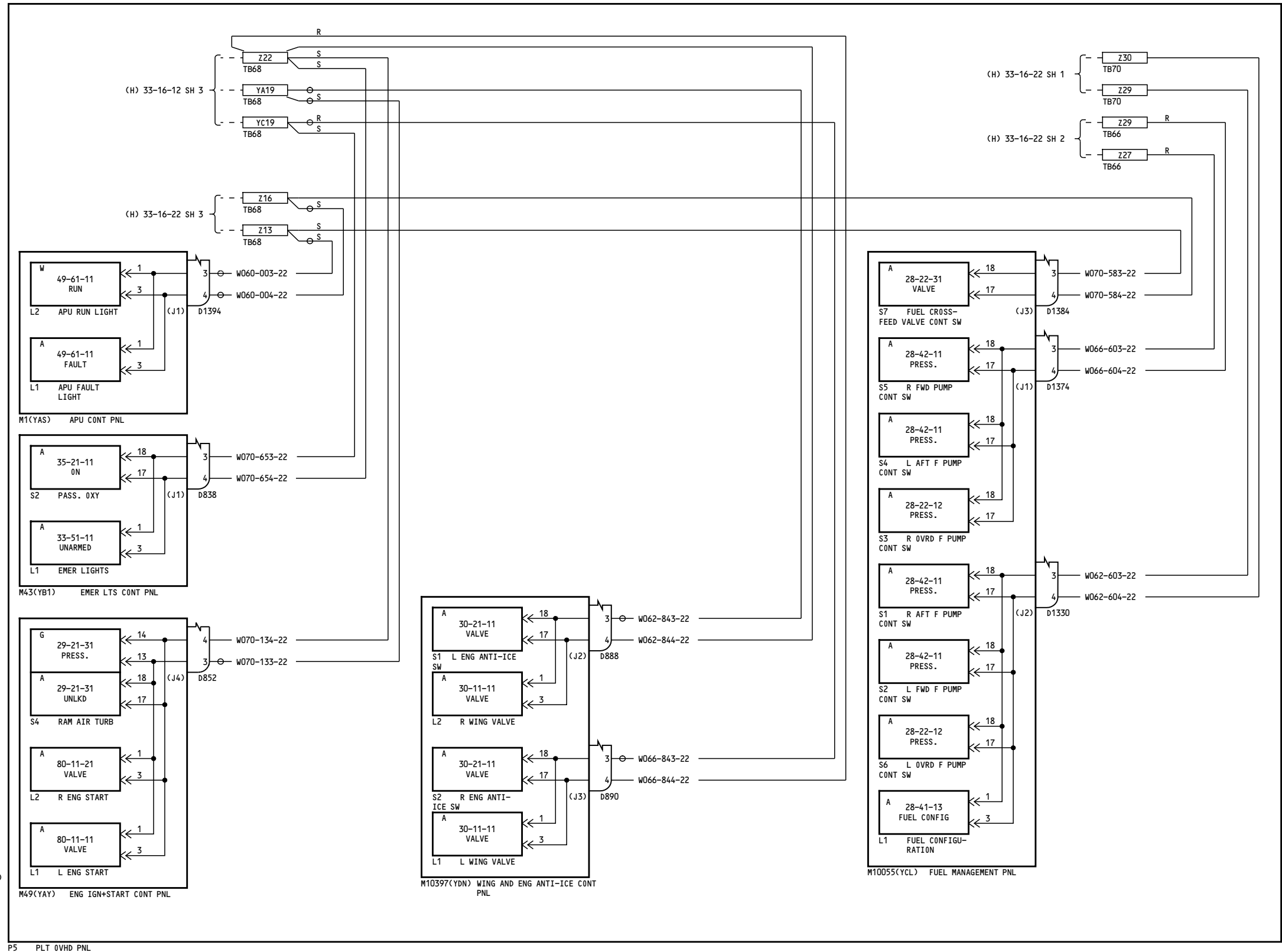
33-16-17

Page 3
Sheet 3
Jan 21/2005

D280T132

33-16-17

Page 3
Sheet 3
Jan 21/2005



151-152

MASTER DIM & TEST-PILOTS OVERHEAD & OVERHEAD CB PANEL

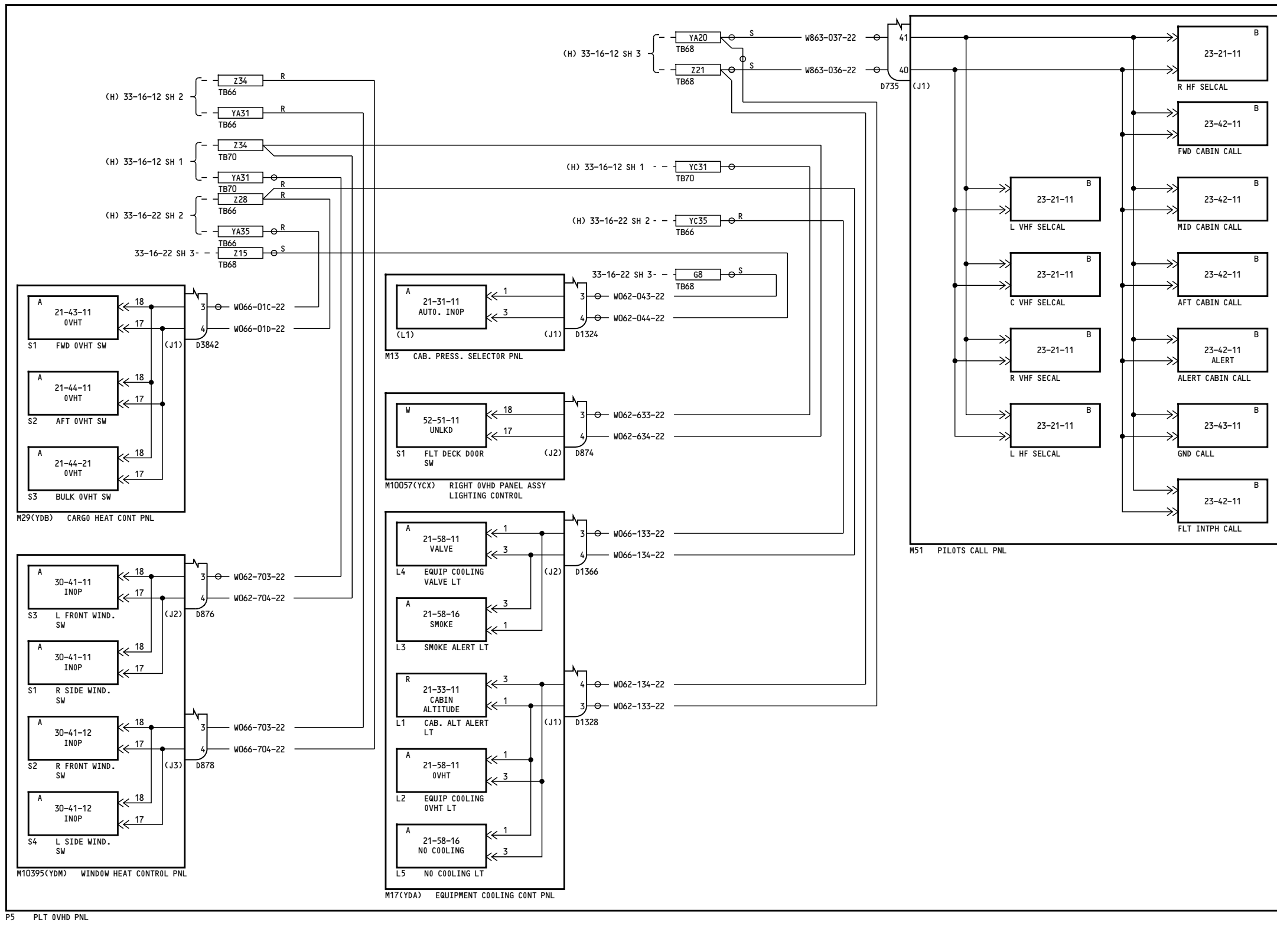
D280T132

33-16-17

Page 3
Sheet 4
Jan 21/2005

33-16-17

Page 3
Sheet 4
Jan 21/2005



151-152

MASTER DIM & TEST-PILOTS OVERHEAD & OVERHEAD CB PANEL

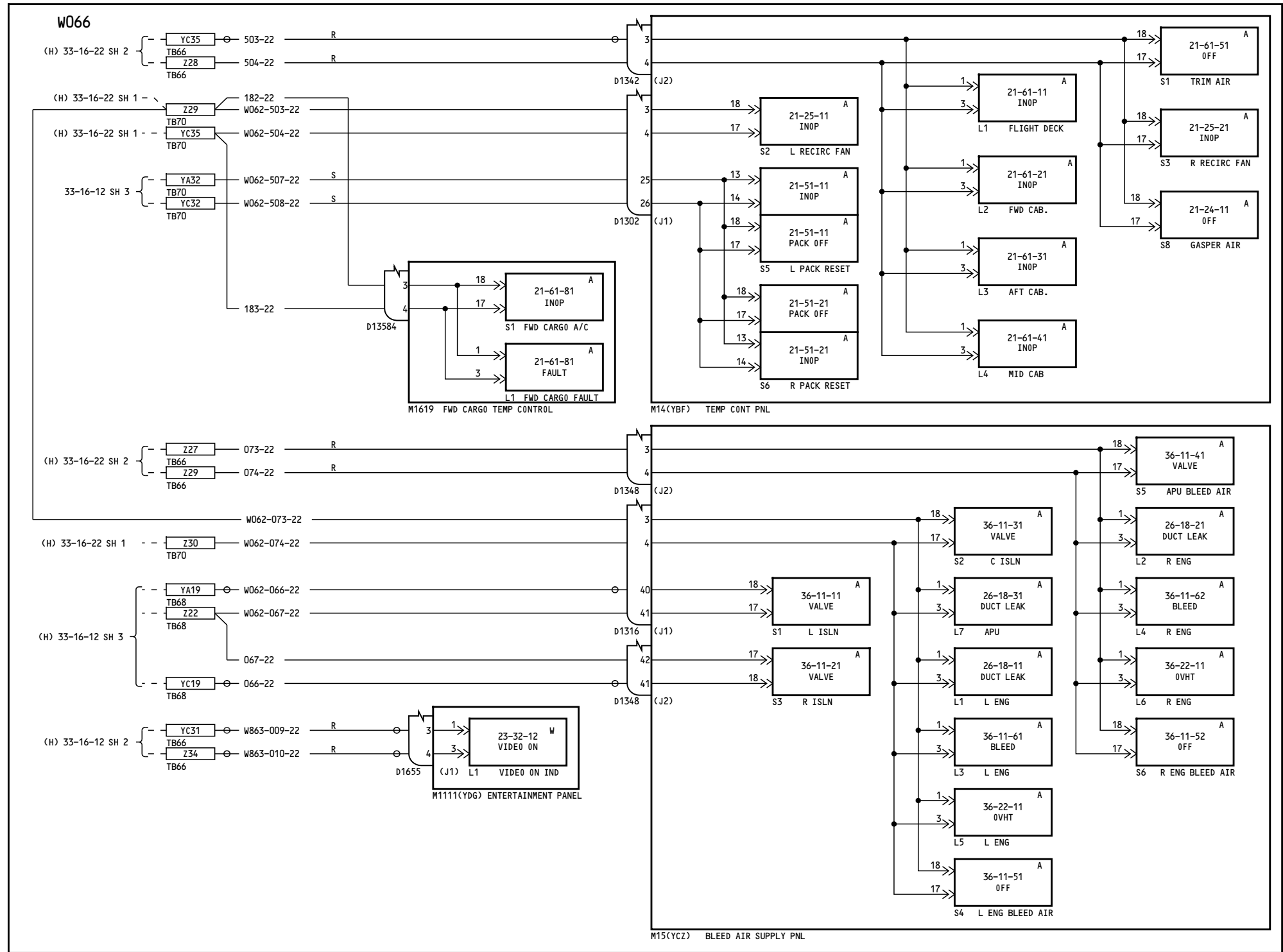
D280T132

33-16-17

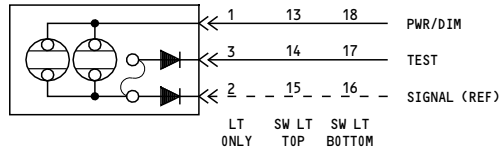
Page 3
Sheet 5
Jan 21/2005

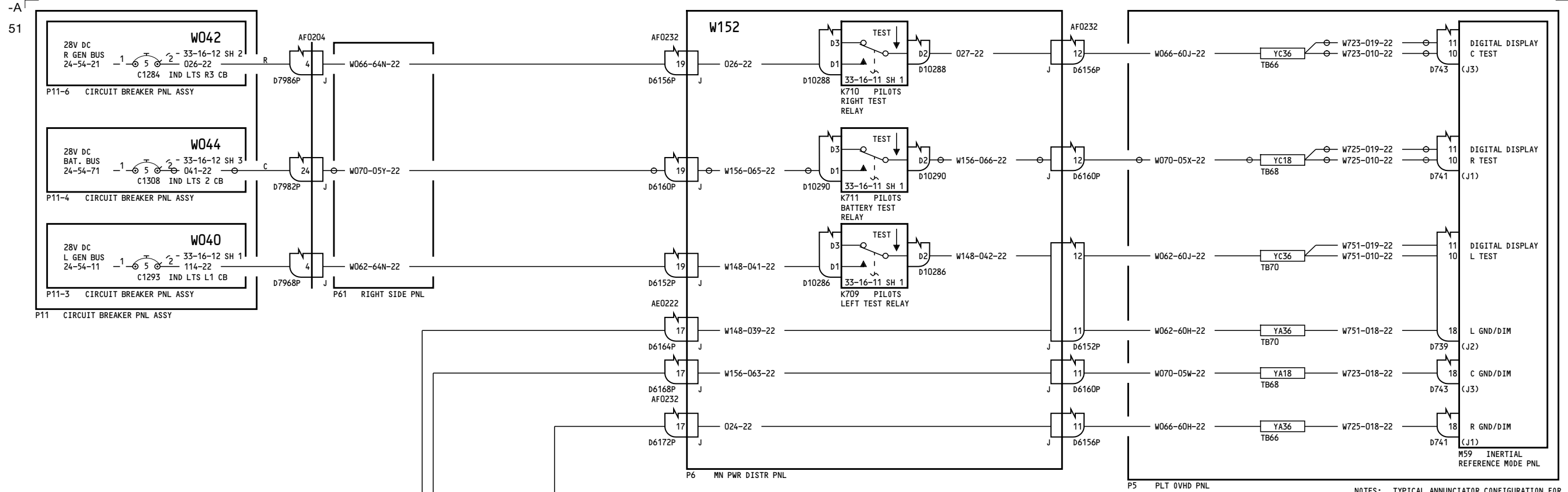
33-16-17

Page 3
Sheet 5
Jan 21/2005

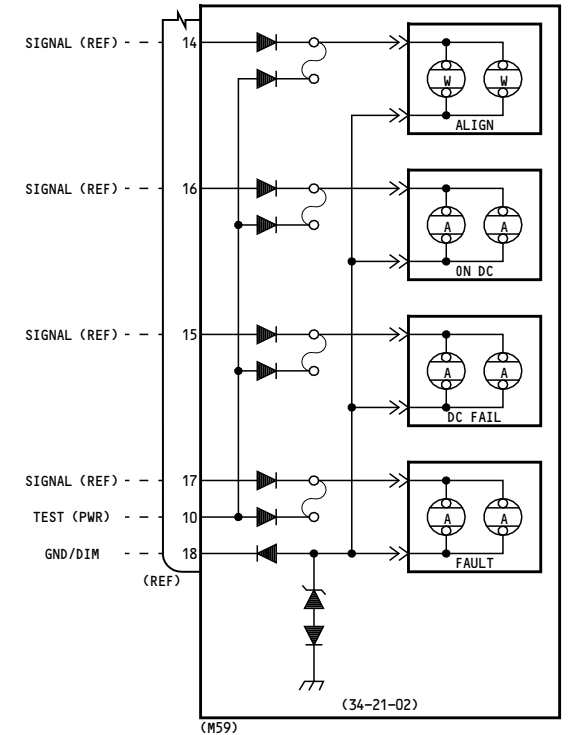
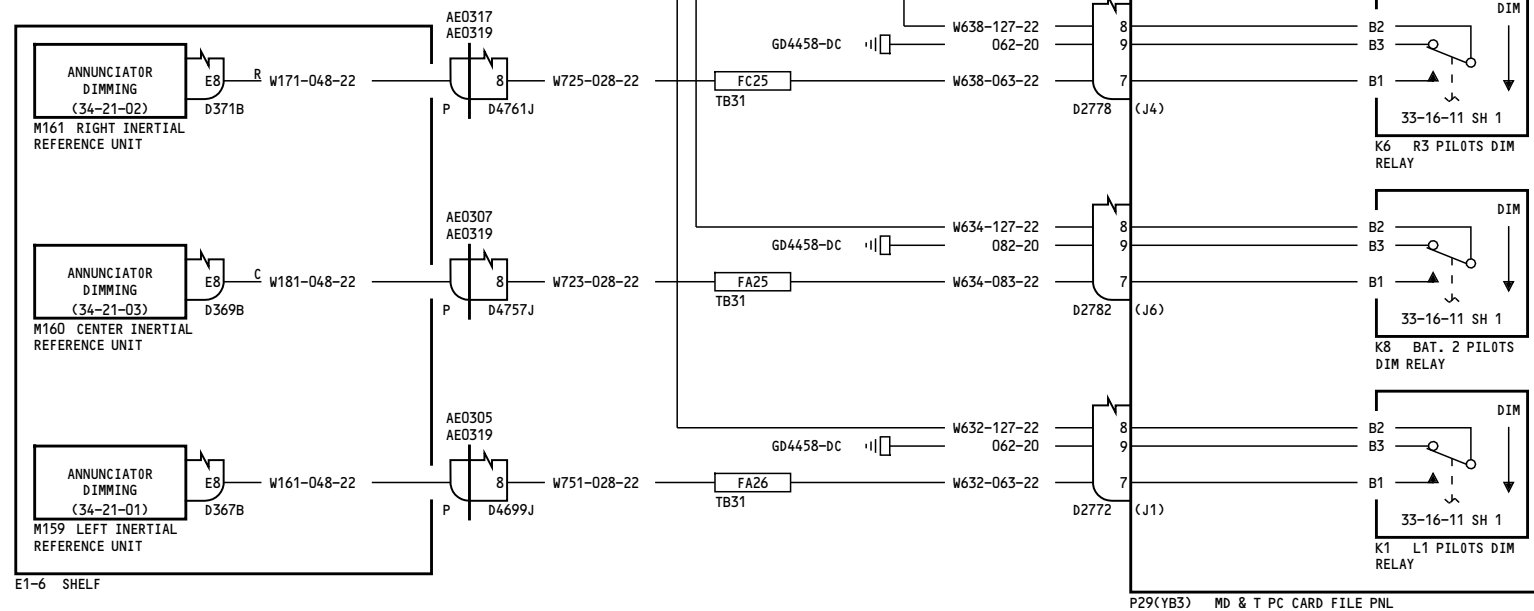


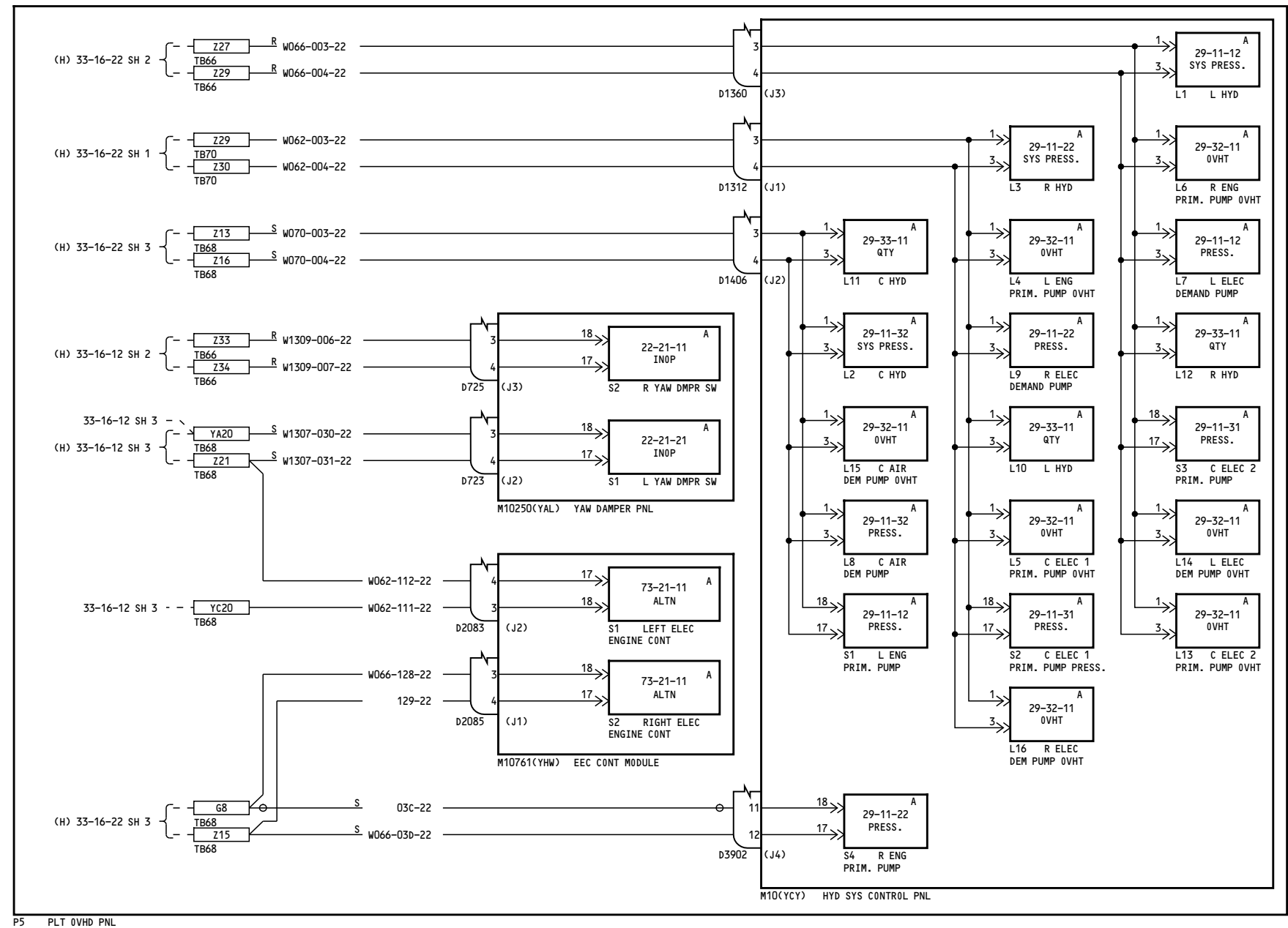
NOTES: TYPICAL ANNUNCIATOR CONFIGURATION EXCEPT WHERE SHOWN OTHERWISE (SHOWN FOR REFERENCE ONLY):



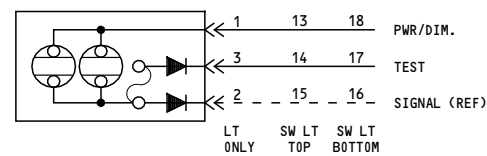


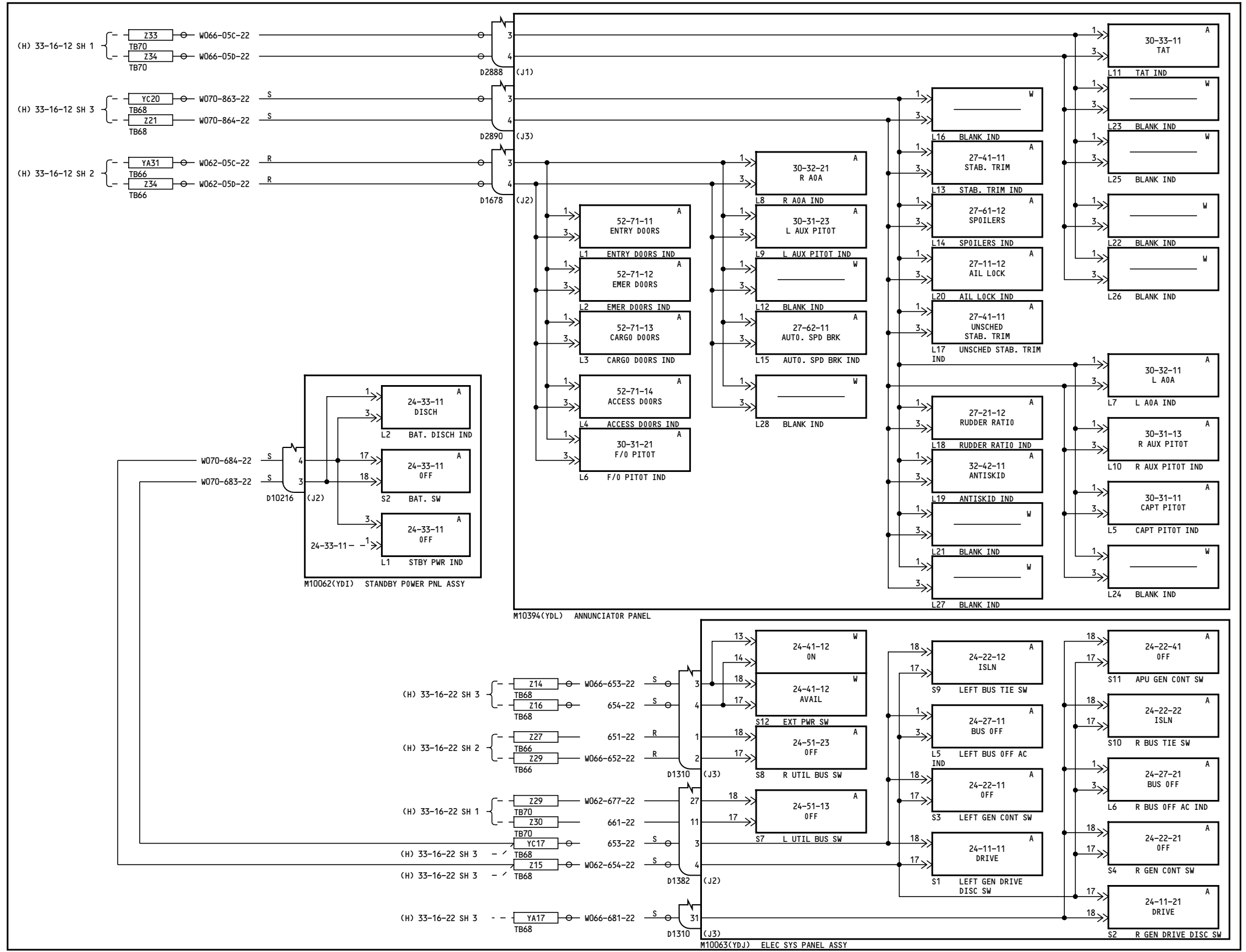
NOTES: TYPICAL ANNUNCIATOR CONFIGURATION FOR EACH INERTIAL REFERENCE SYSTEM IN M59 PNL (P5) (SHOWN FOR REFERENCE ONLY)



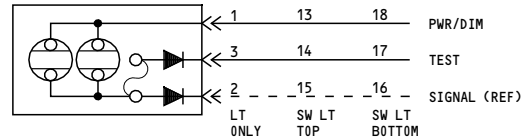


NOTES: TYPICAL ANNUNCIATOR CONFIGURATION EXCEPT WHERE SHOWN OTHERWISE (SHOWN FOR REFERENCE ONLY):





NOTES:
TYPICAL ANNUNCIATOR
CONFIGURATION EXCEPT
WHERE SHOWN OTHERWISE
(SHOWN FOR REFERENCE ONLY):



151-152

**MASTER DIM & TEST-
PILOTS OVERHEAD &
OVERHEAD CB PANEL**

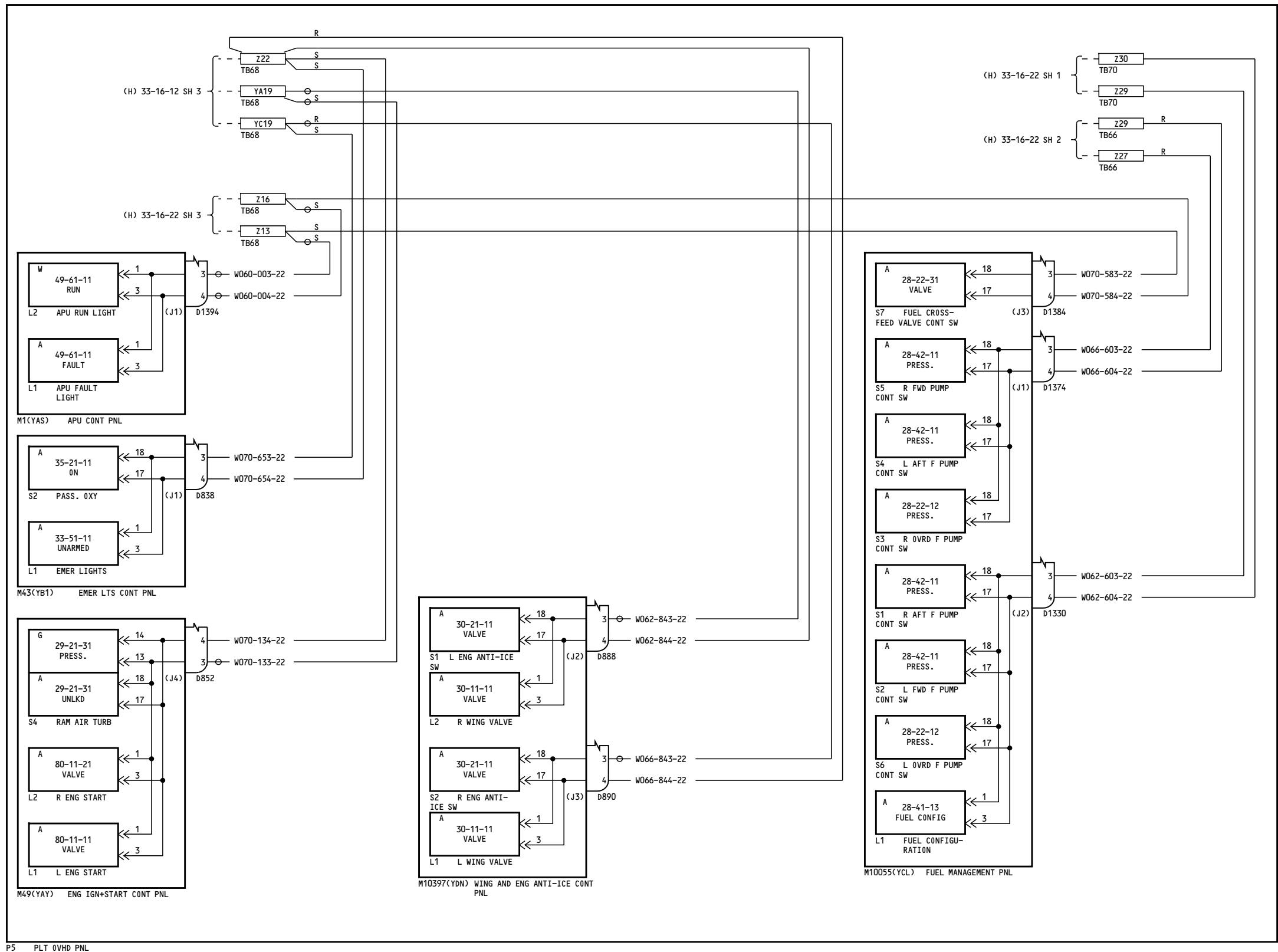
33-16-17

Page 3.1
Sheet 3
Jan 21/2005

D280T132

33-16-17

Page 3.1
Sheet 3
Jan 21/2005



151-152

MASTER DIM & TEST-PILOTS OVERHEAD & OVERHEAD CB PANEL

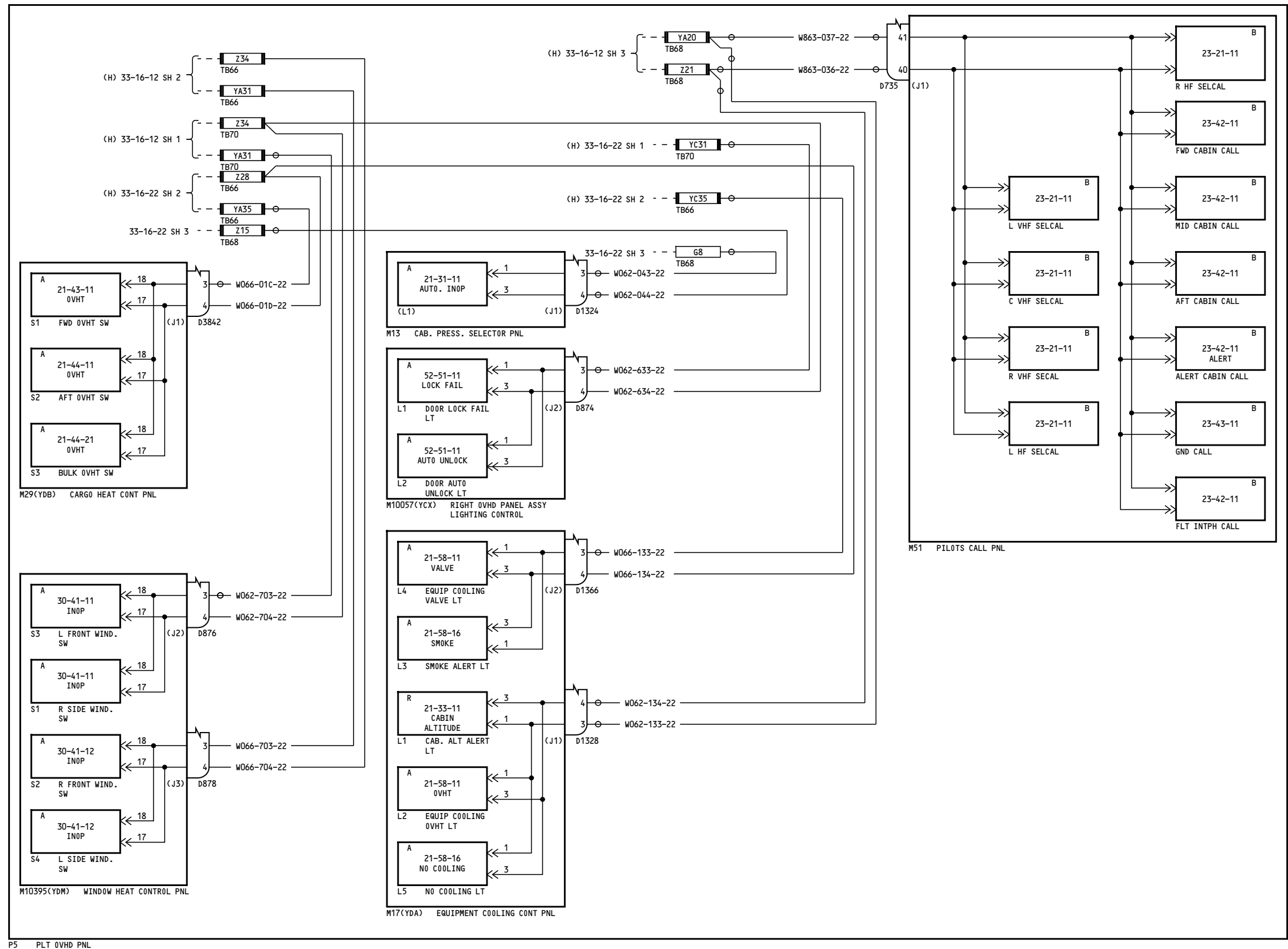
33-16-17

Page 3.1
Sheet 4
Jan 21/2005

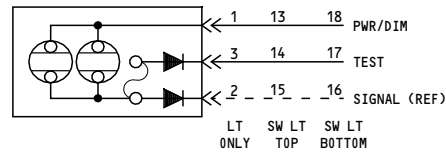
D280T132

33-16-17

Page 3.1
Sheet 4
Jan 21/2005



NOTES: TYPICAL ANNUNCIATOR CONFIGURATION EXCEPT WHERE SHOWN OTHERWISE (SHOWN FOR REFERENCE ONLY):



151-152

MASTER DIM & TEST-PILOTS OVERHEAD & OVERHEAD CB PANEL

D280T132

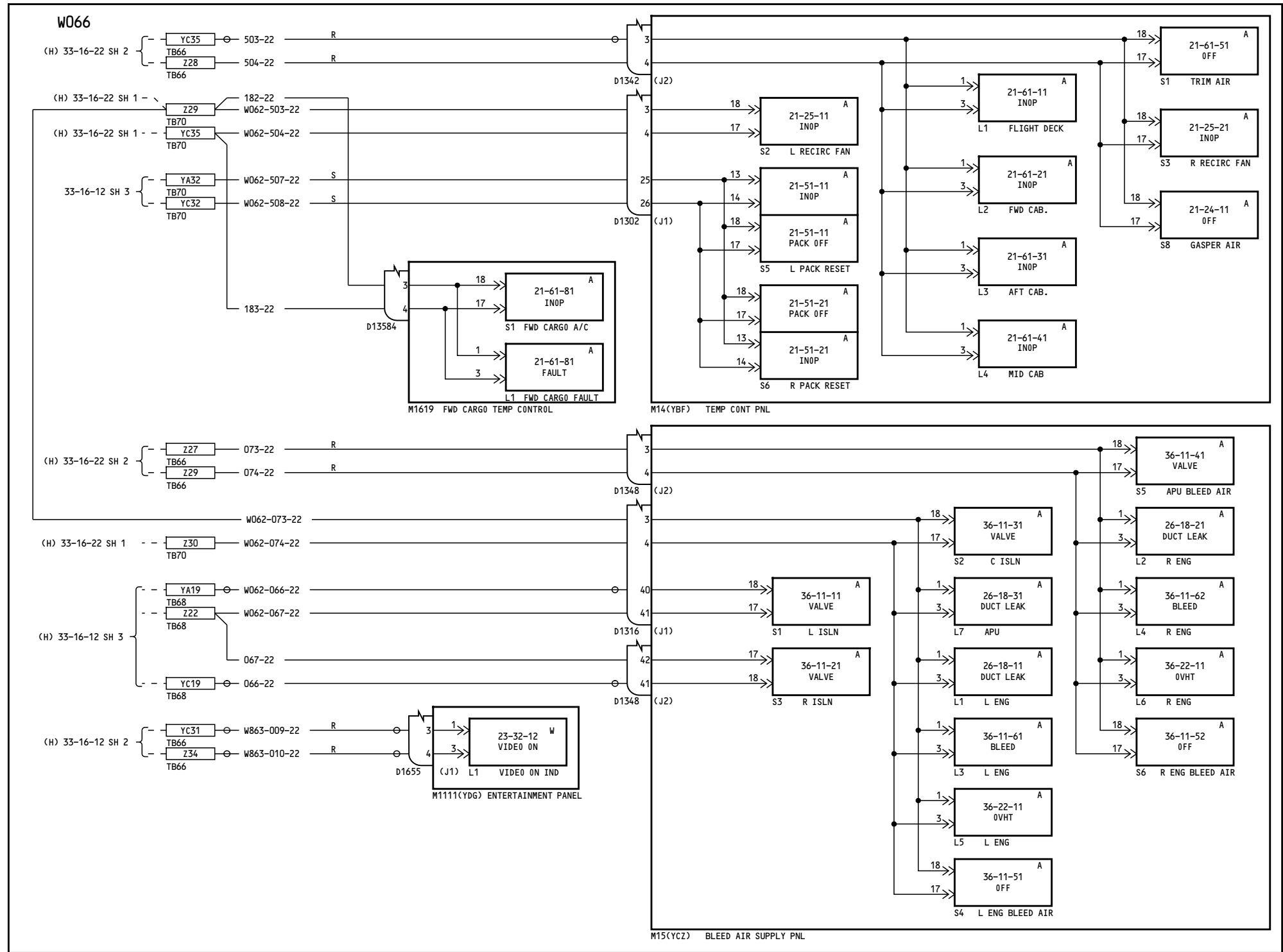
33-16-17

Page 3.1
Sheet 5
Jan 21/2005

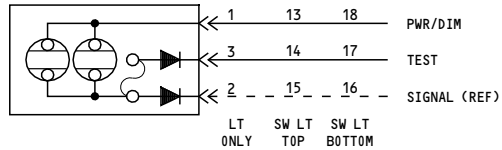
Incorporates
25-0332

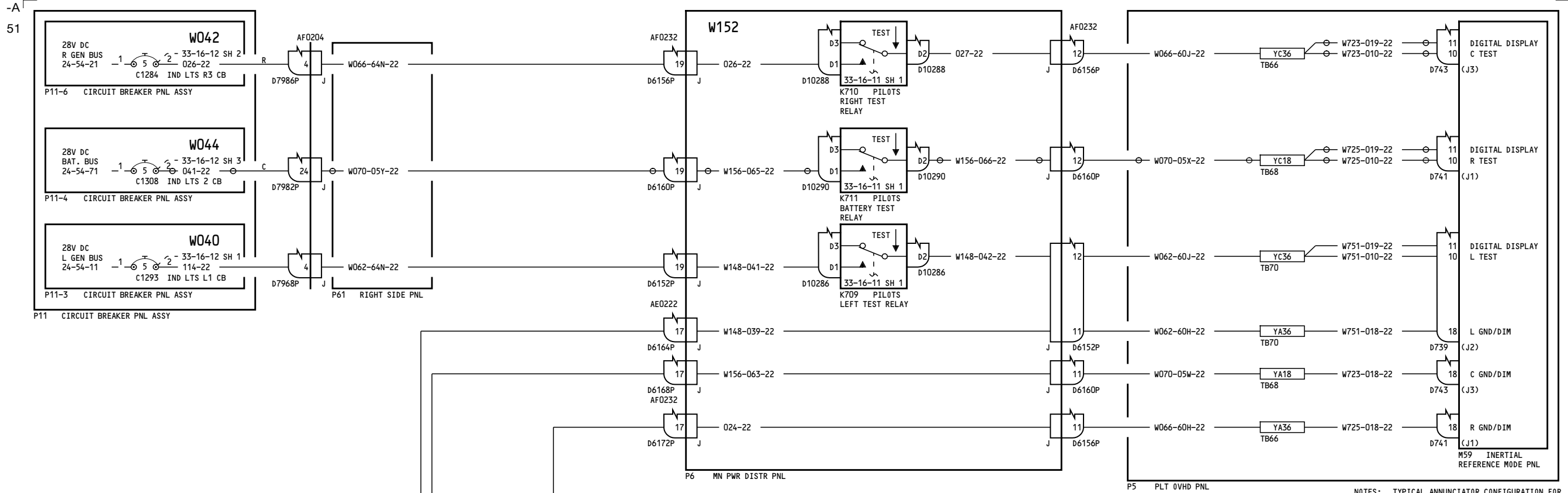
33-16-17

Page 3.1
Sheet 5
Jan 21/2005

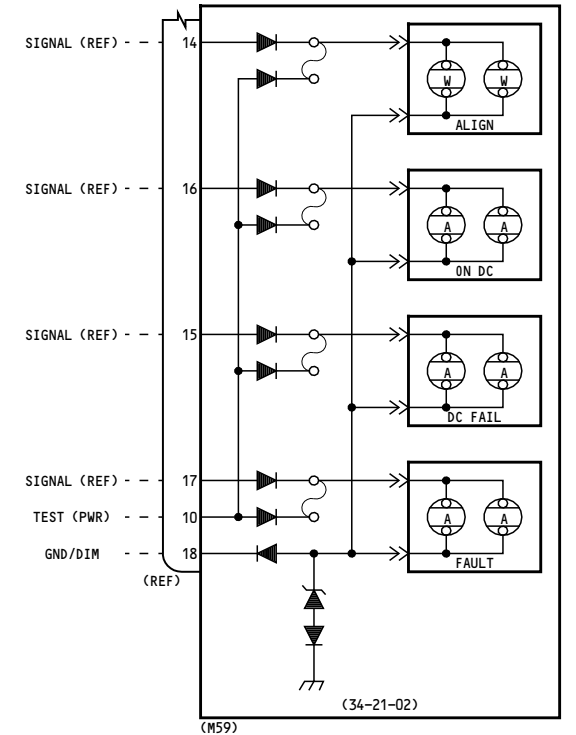
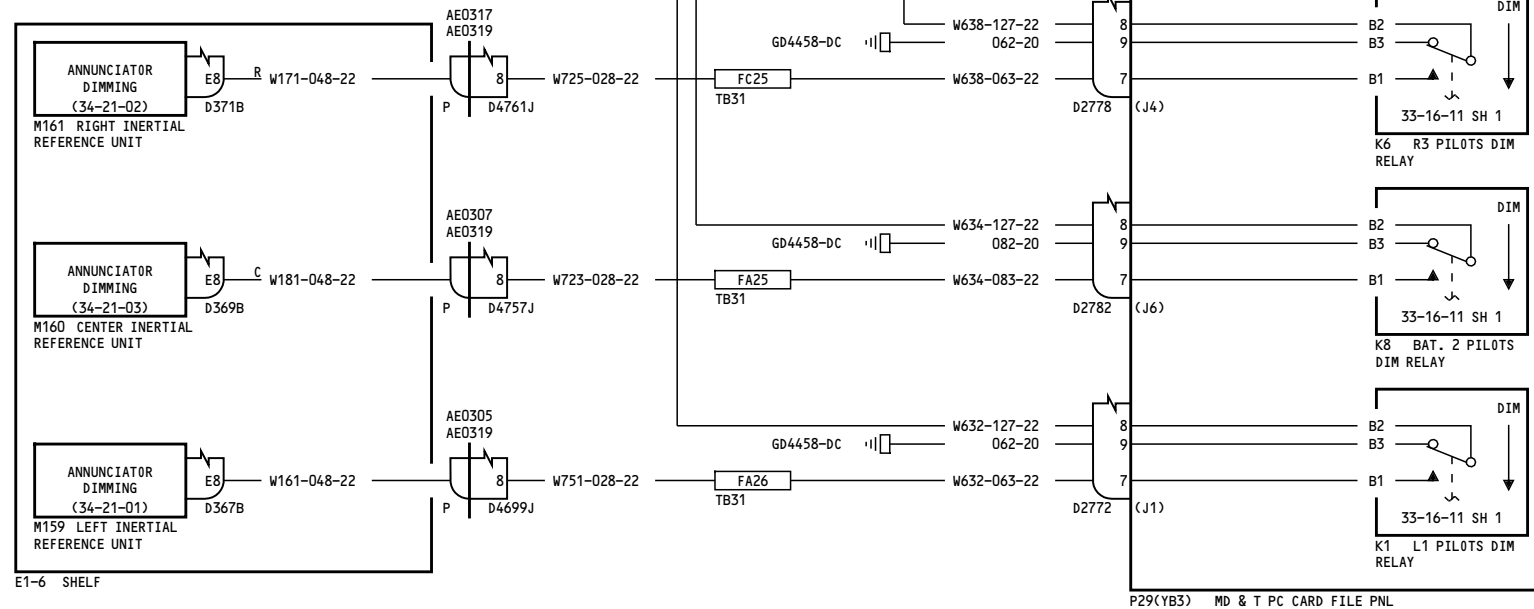


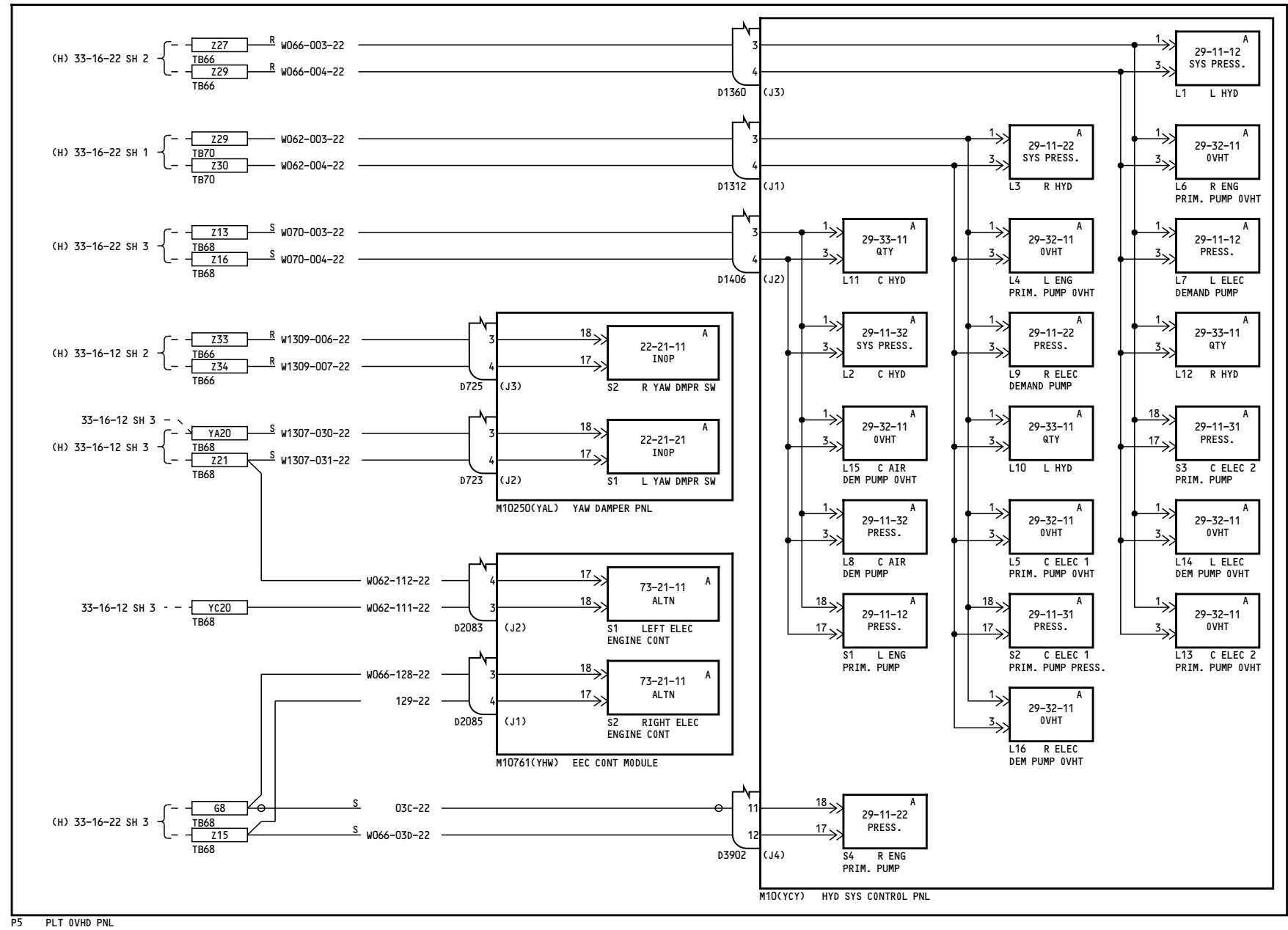
NOTES: TYPICAL ANNUNCIATOR CONFIGURATION EXCEPT WHERE SHOWN OTHERWISE (SHOWN FOR REFERENCE ONLY):



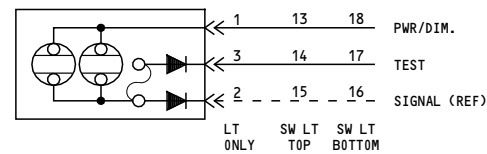


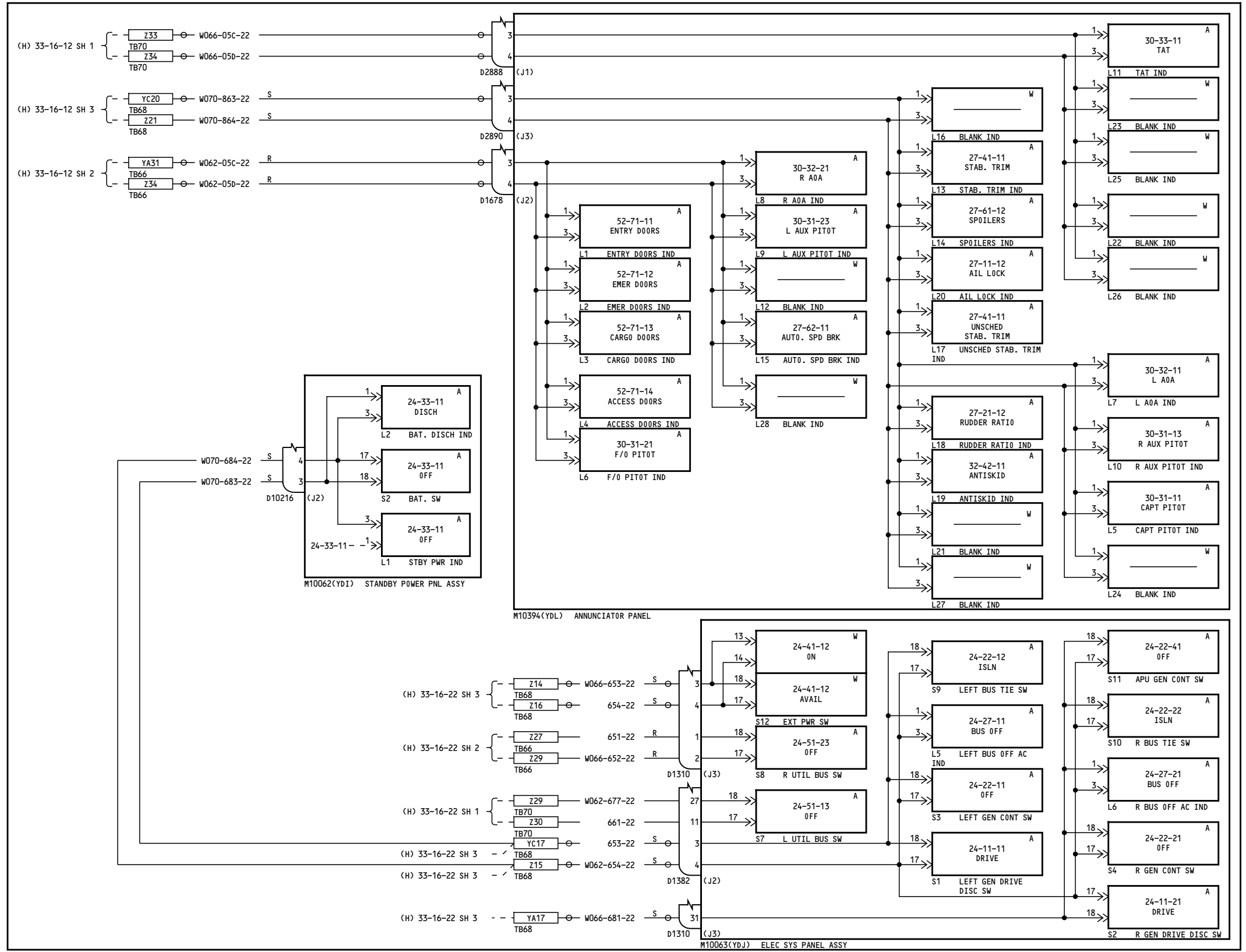
NOTES: TYPICAL ANNUNCIATOR CONFIGURATION FOR EACH INERTIAL REFERENCE SYSTEM IN M59 PNL (P5) (SHOWN FOR REFERENCE ONLY)



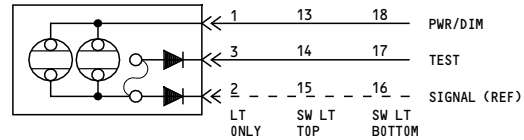


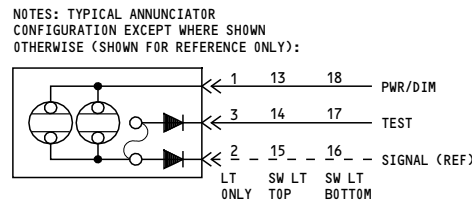
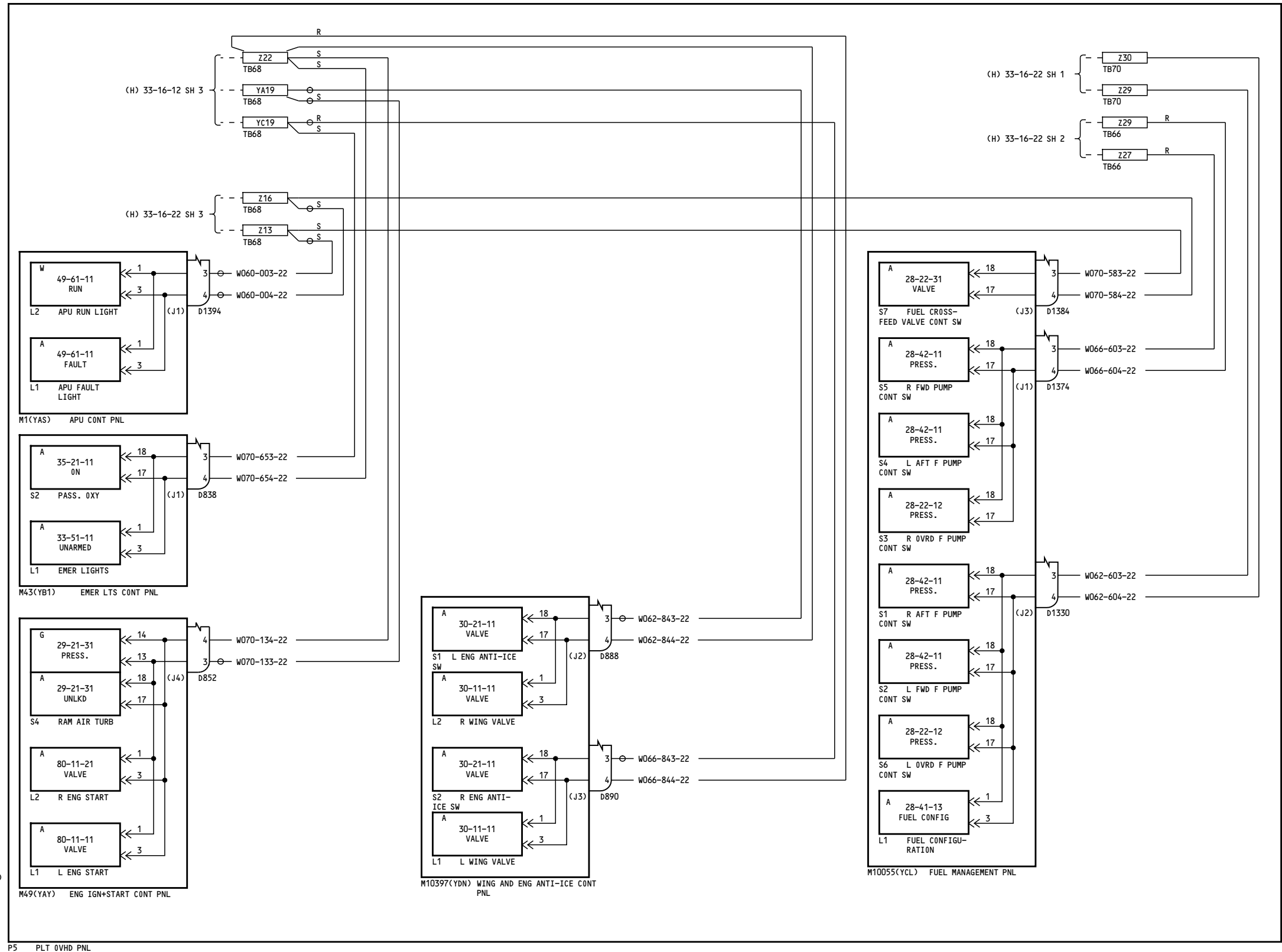
NOTES: TYPICAL ANNUNCIATOR CONFIGURATION EXCEPT WHERE SHOWN OTHERWISE (SHOWN FOR REFERENCE ONLY):





NOTES:
TYPICAL ANNUNCIATOR
CONFIGURATION EXCEPT
WHERE SHOWN OTHERWISE
(SHOWN FOR REFERENCE ONLY):





154

MASTER DIM & TEST-PILOTS OVERHEAD & OVERHEAD CB PANEL

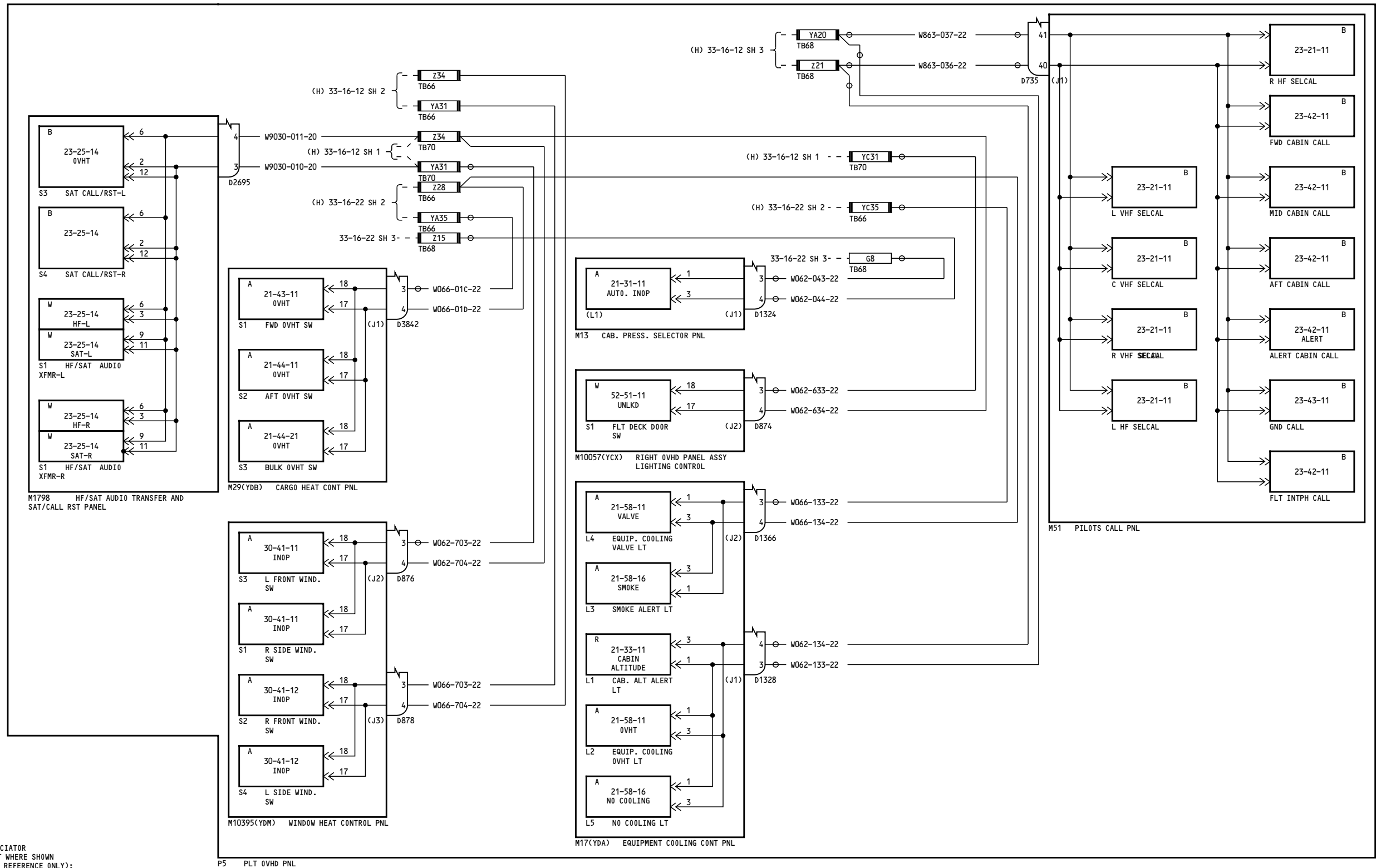
D280T132

33-16-17

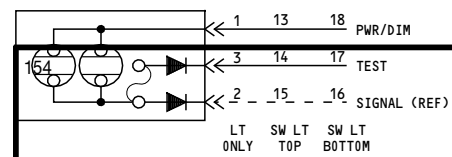
Page 4A
Sheet 4
Mar 09/2006

33-16-17

Page 4A
Sheet 4
Mar 09/2006



NOTES: TYPICAL ANNUNCIATOR CONFIGURATION EXCEPT WHERE SHOWN OTHERWISE (SHOWN FOR REFERENCE ONLY):



MASTER DIM & TEST-PILOTS OVERHEAD & OVERHEAD CB PANEL

D280T132

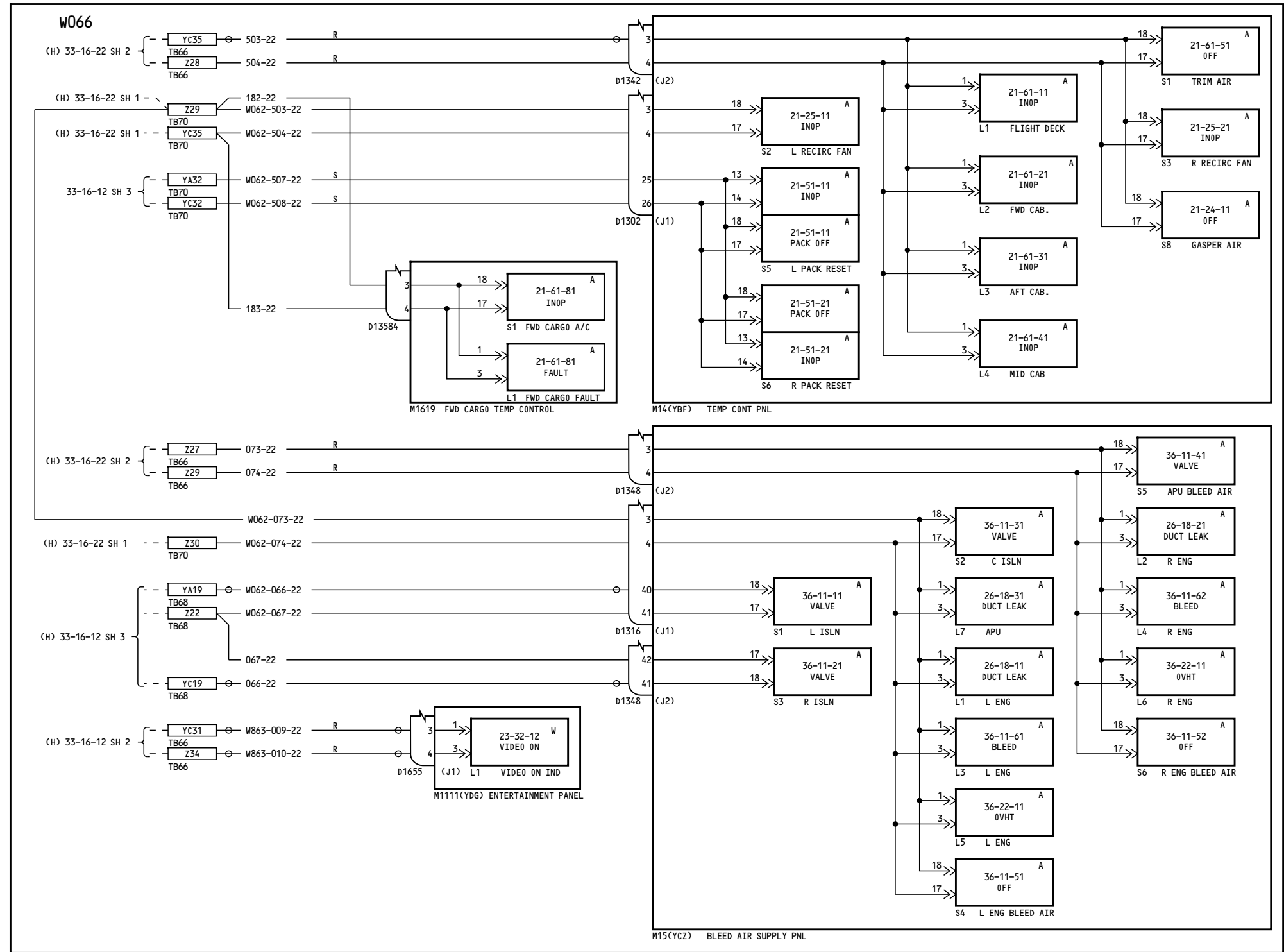
33-16-17

Page 4A
Sheet 5
Mar 09/2006

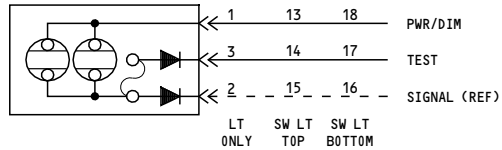
Incorporates
MTO 230593

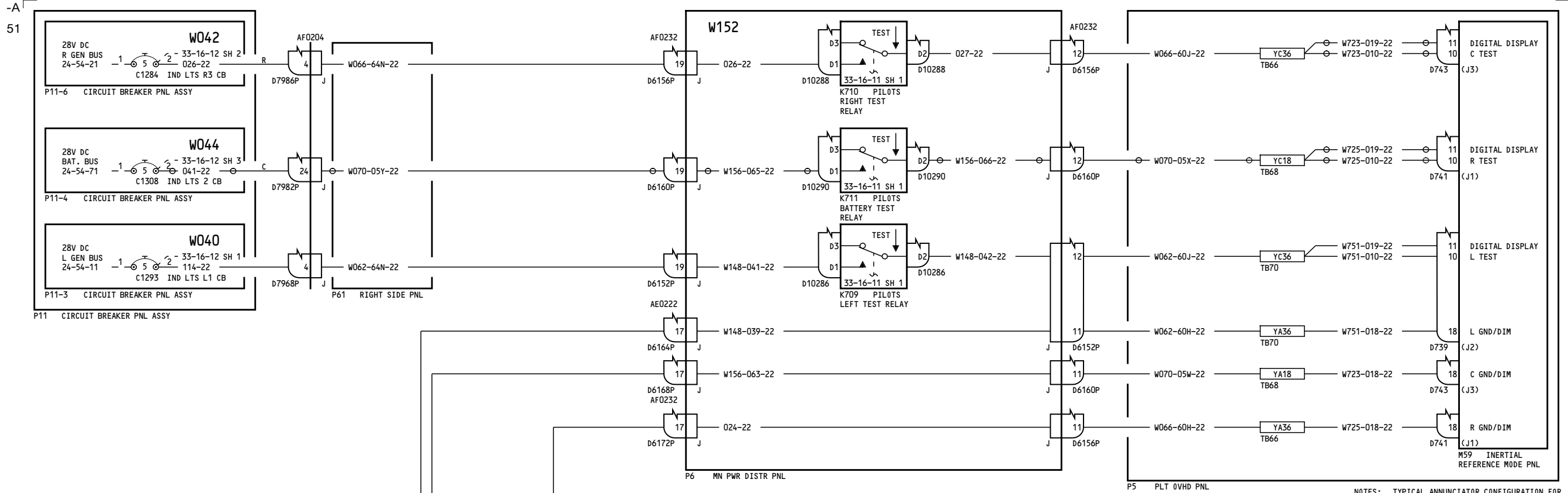
33-16-17

Page 4A
Sheet 5
Mar 09/2006

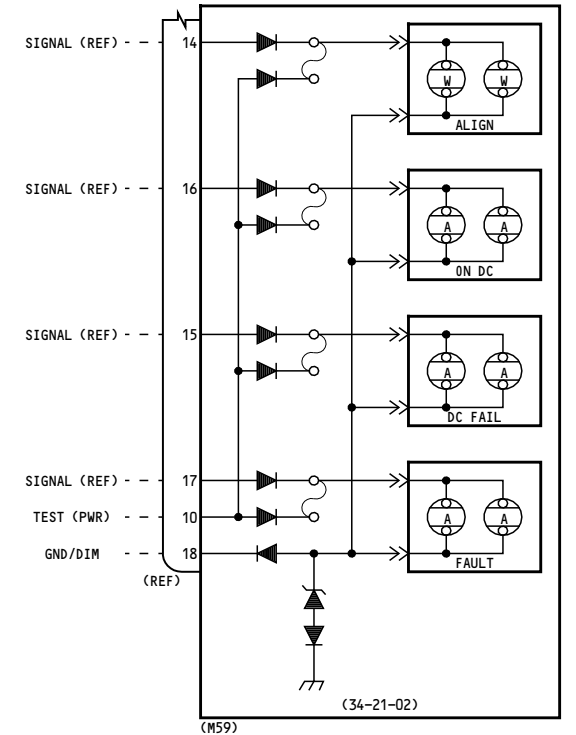
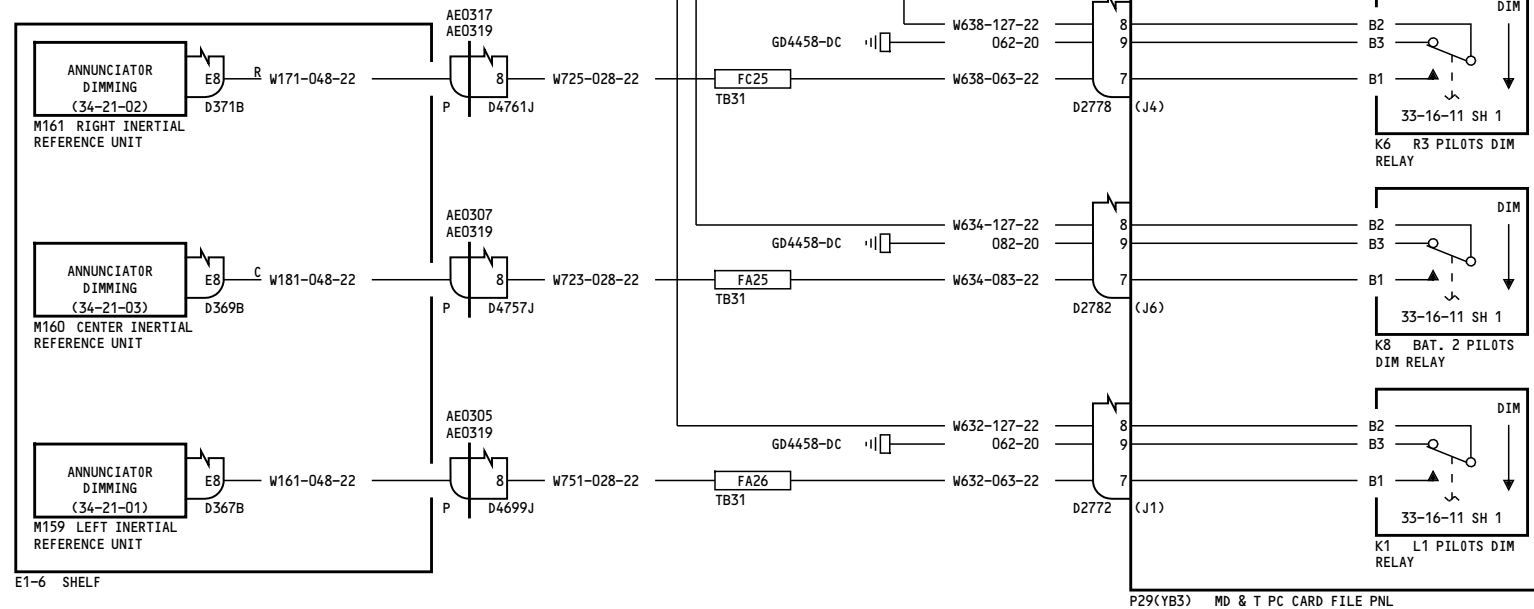


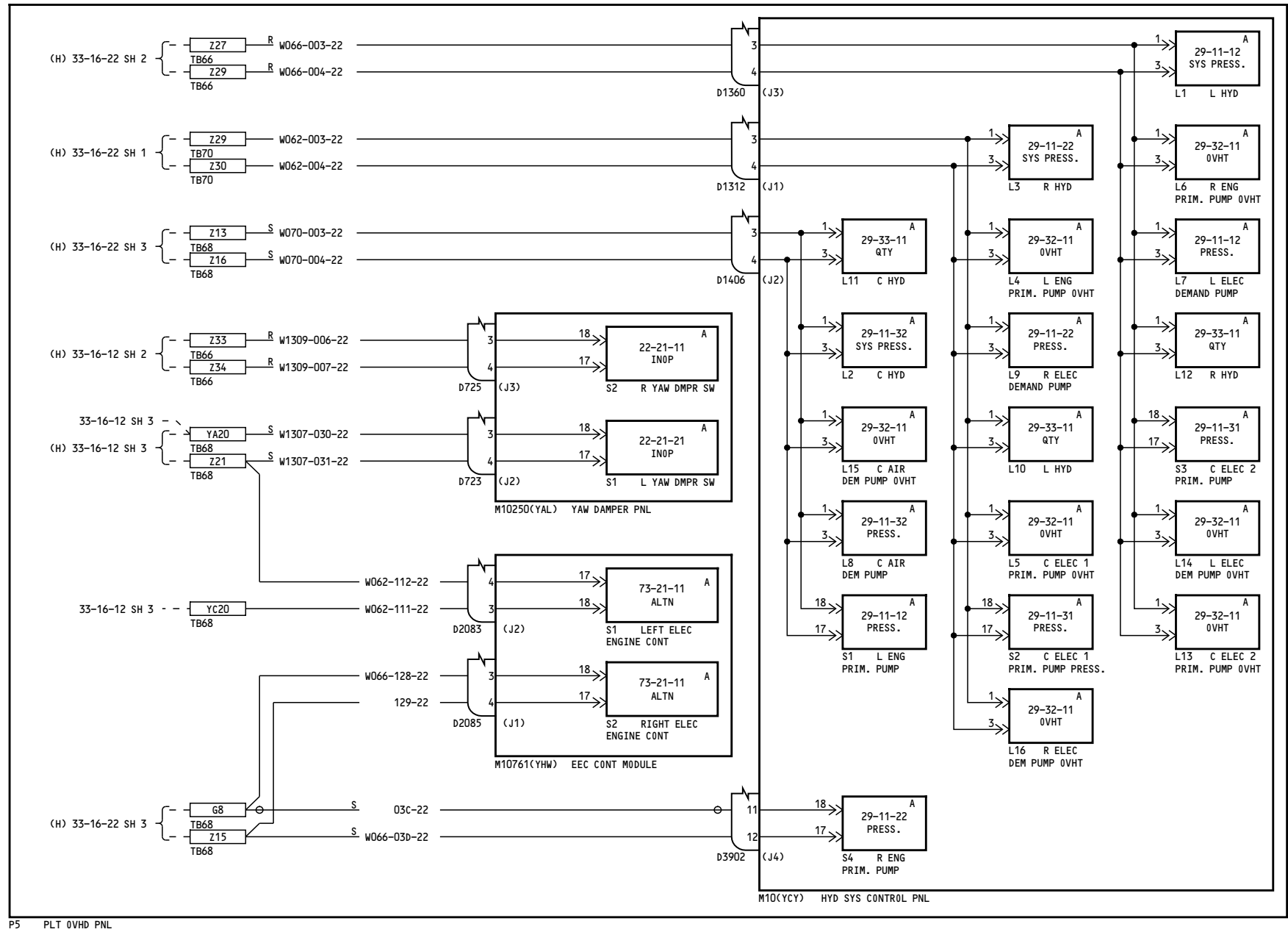
NOTES: TYPICAL ANNUNCIATOR
CONFIGURATION EXCEPT WHERE SHOWN
OTHERWISE (SHOWN FOR REFERENCE ONLY):



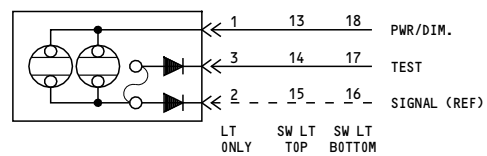


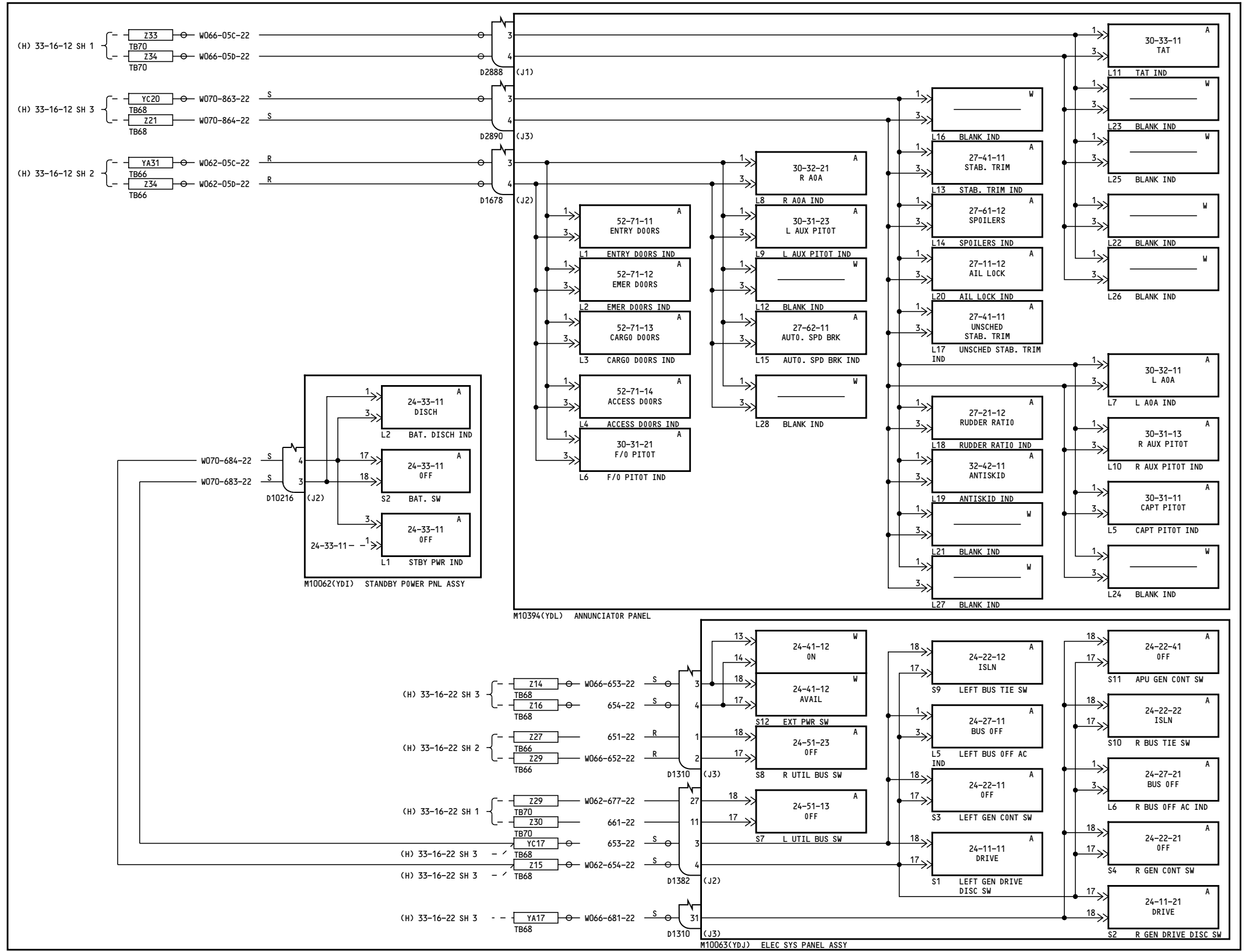
NOTES: TYPICAL ANNUNCIATOR CONFIGURATION FOR EACH INERTIAL REFERENCE SYSTEM IN M59 PNL (P5) (SHOWN FOR REFERENCE ONLY)



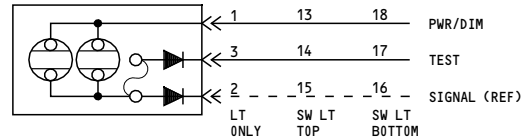


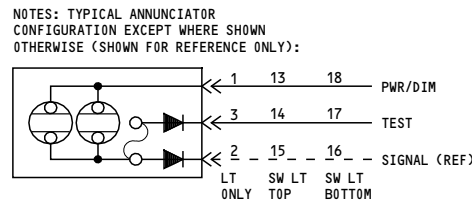
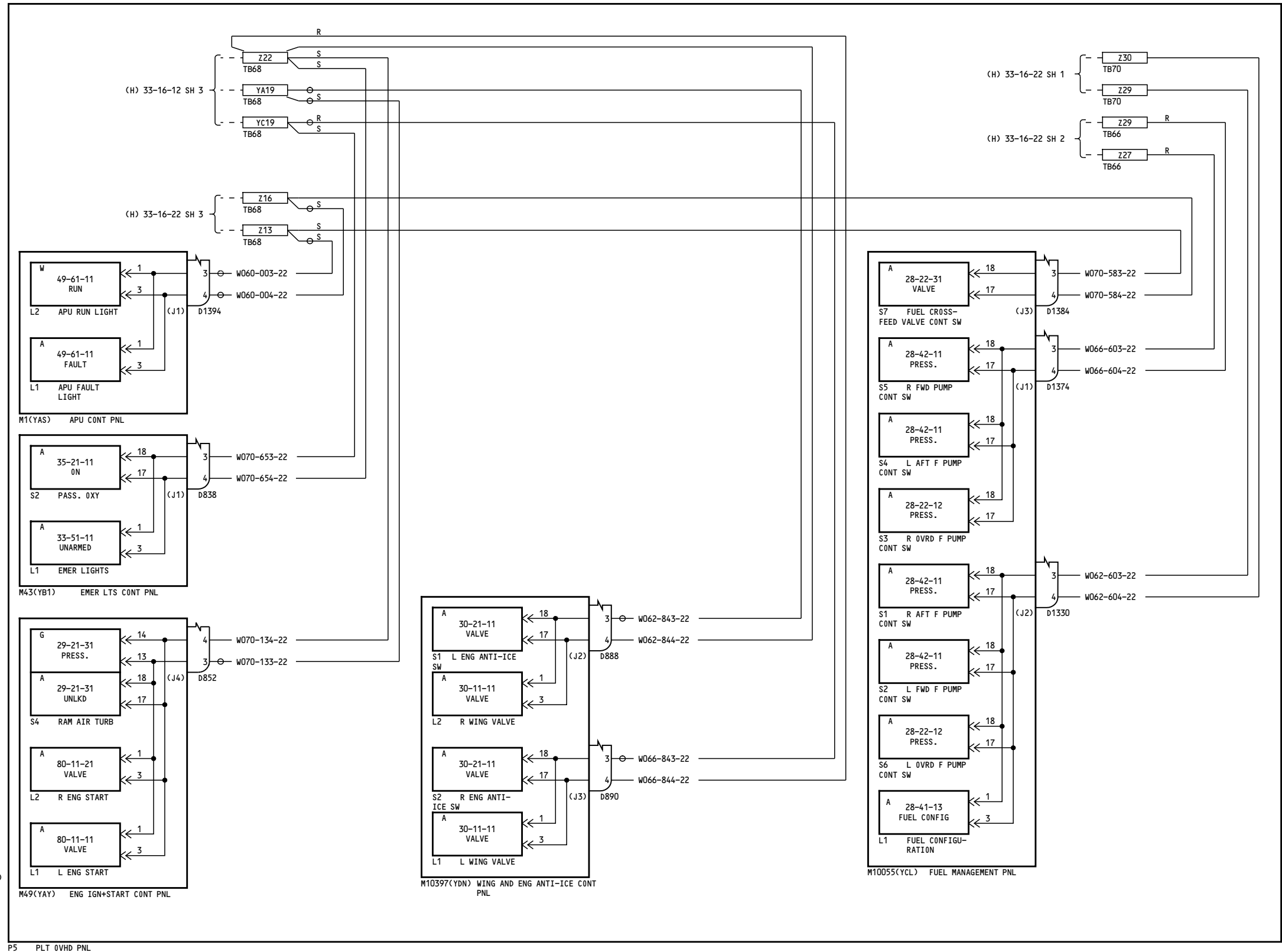
NOTES: TYPICAL ANNUNCIATOR CONFIGURATION EXCEPT WHERE SHOWN OTHERWISE (SHOWN FOR REFERENCE ONLY):





NOTES:
TYPICAL ANNUNCIATOR
CONFIGURATION EXCEPT
WHERE SHOWN OTHERWISE
(SHOWN FOR REFERENCE ONLY):





154

MASTER DIM & TEST-PILOTS OVERHEAD & OVERHEAD CB PANEL

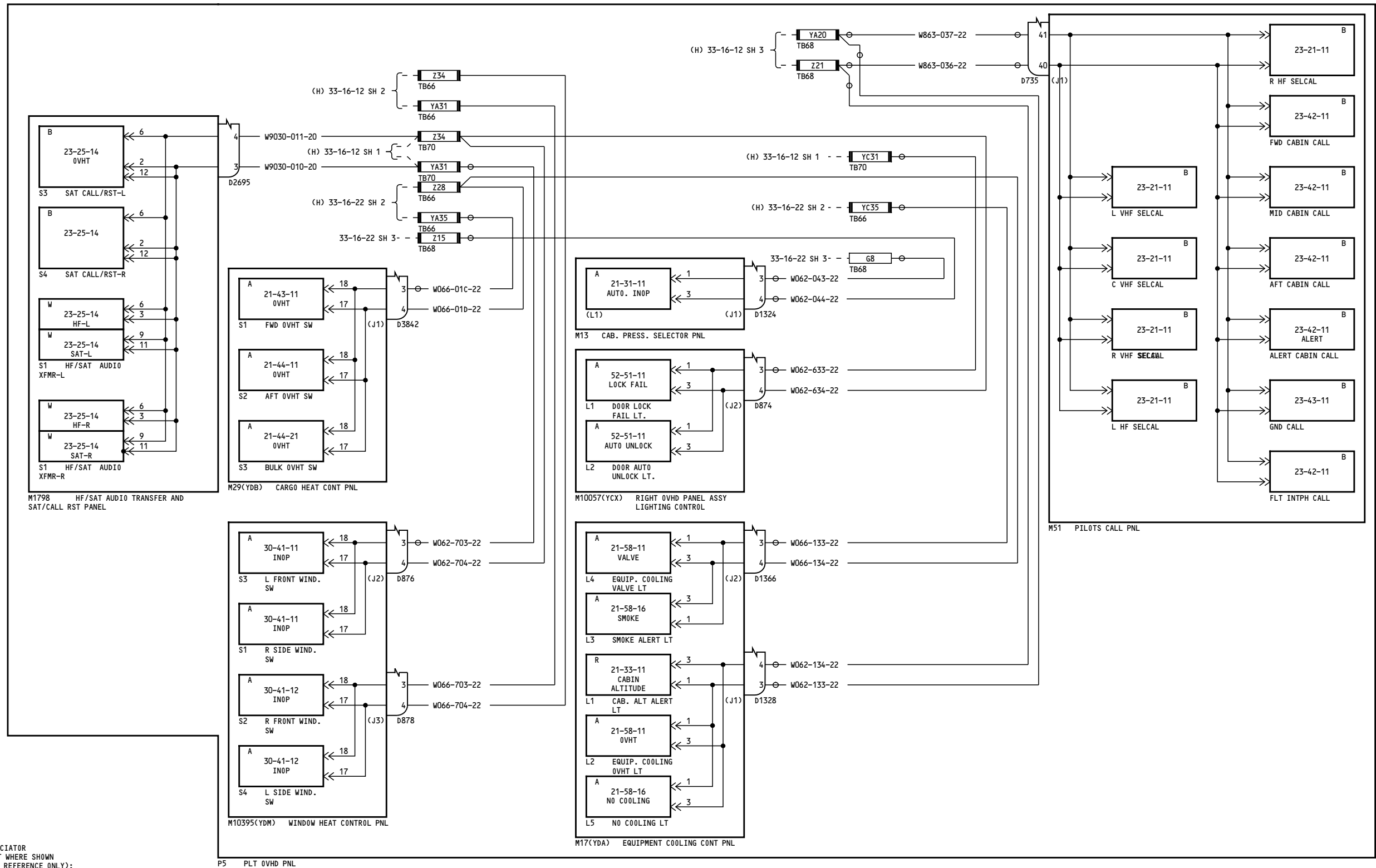
D280T132

33-16-17

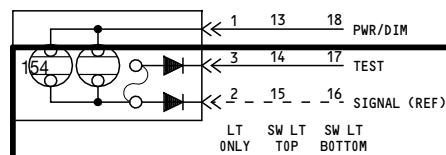
Page 4.1A
Sheet 4
Mar 09/2006

33-16-17

Page 4.1A
Sheet 4
Mar 09/2006



NOTES: TYPICAL ANNUNCIATOR CONFIGURATION EXCEPT WHERE SHOWN OTHERWISE (SHOWN FOR REFERENCE ONLY):



MASTER DIM & TEST-PILOTS OVERHEAD & OVERHEAD CB PANEL

D280T132

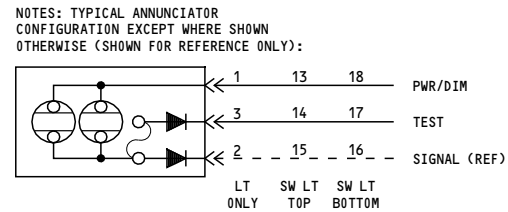
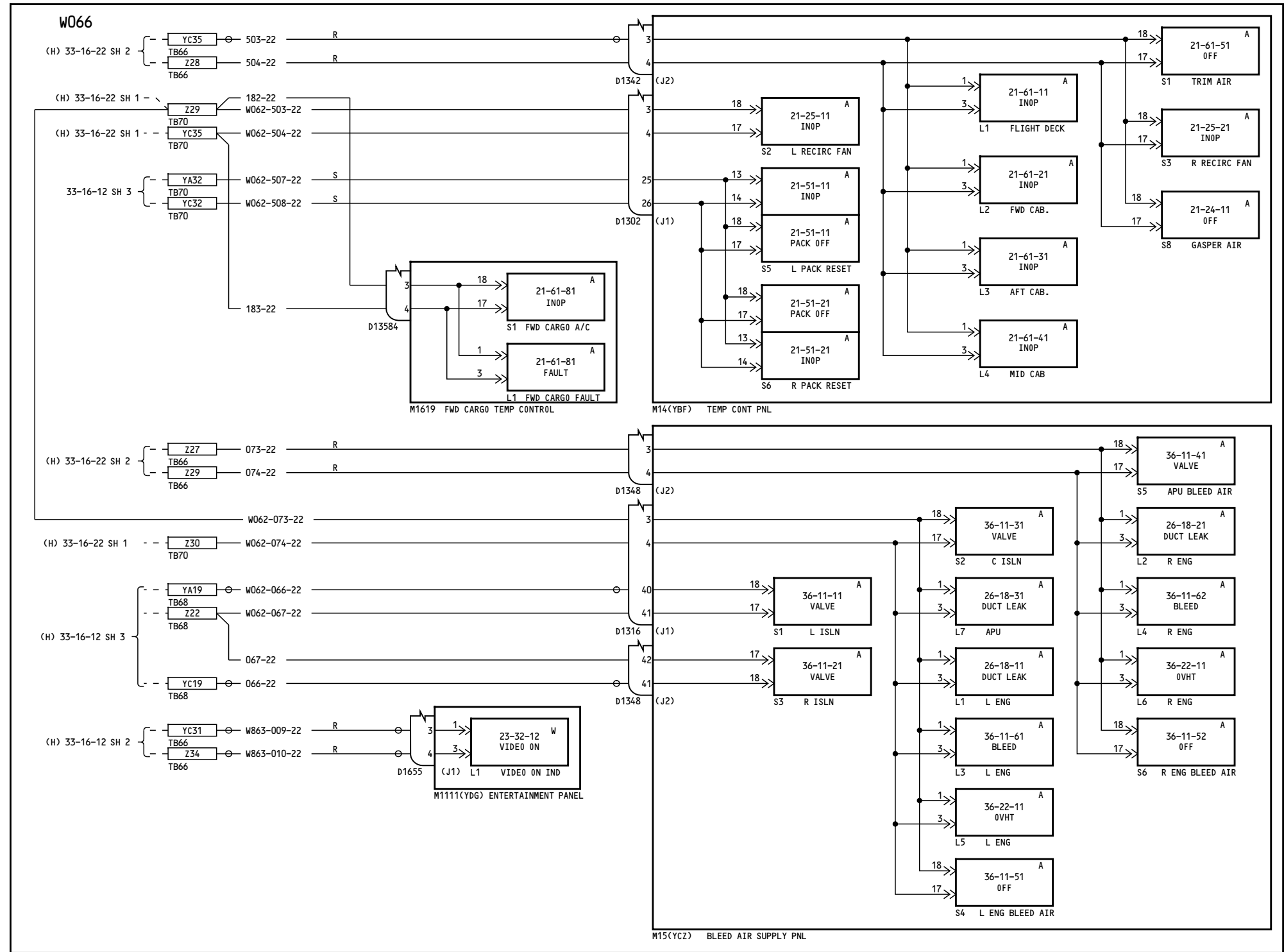
33-16-17

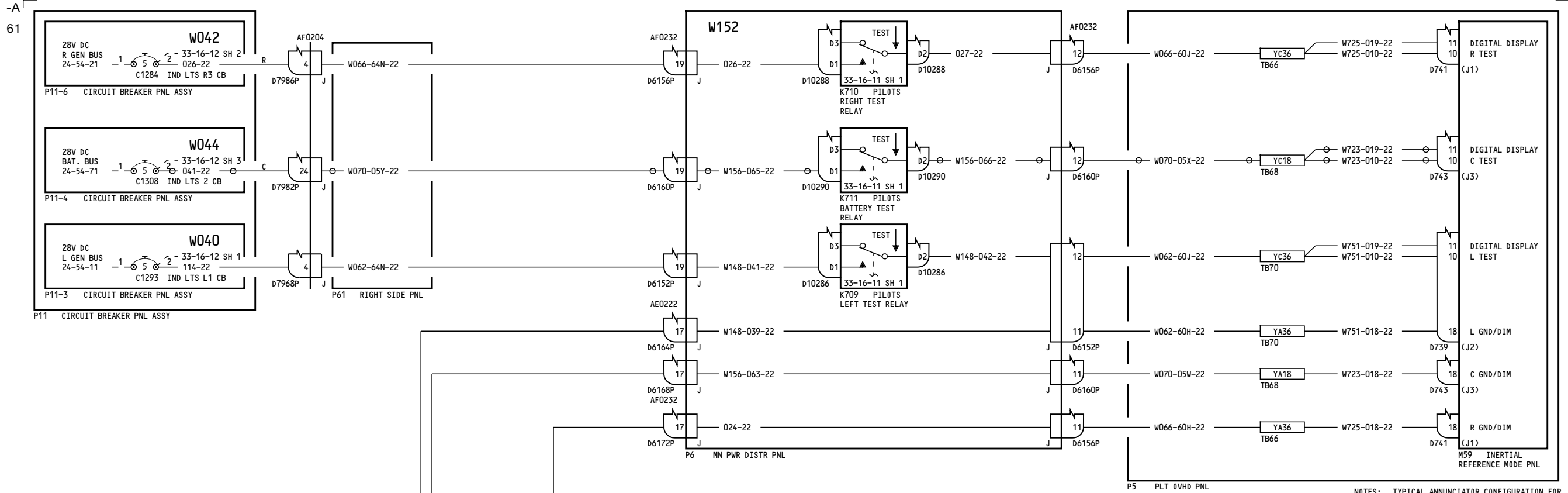
Page 4.1A
Sheet 5
Mar 09/2006

Incorporates
25-0332 R02
MTO 230593

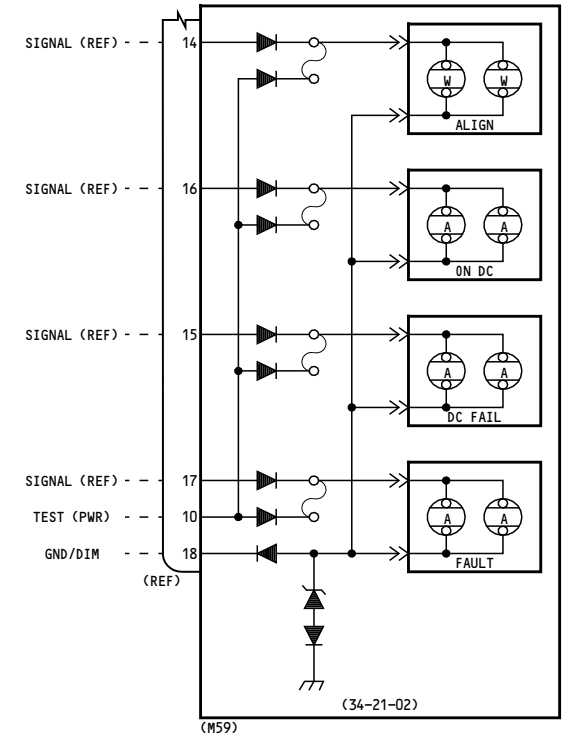
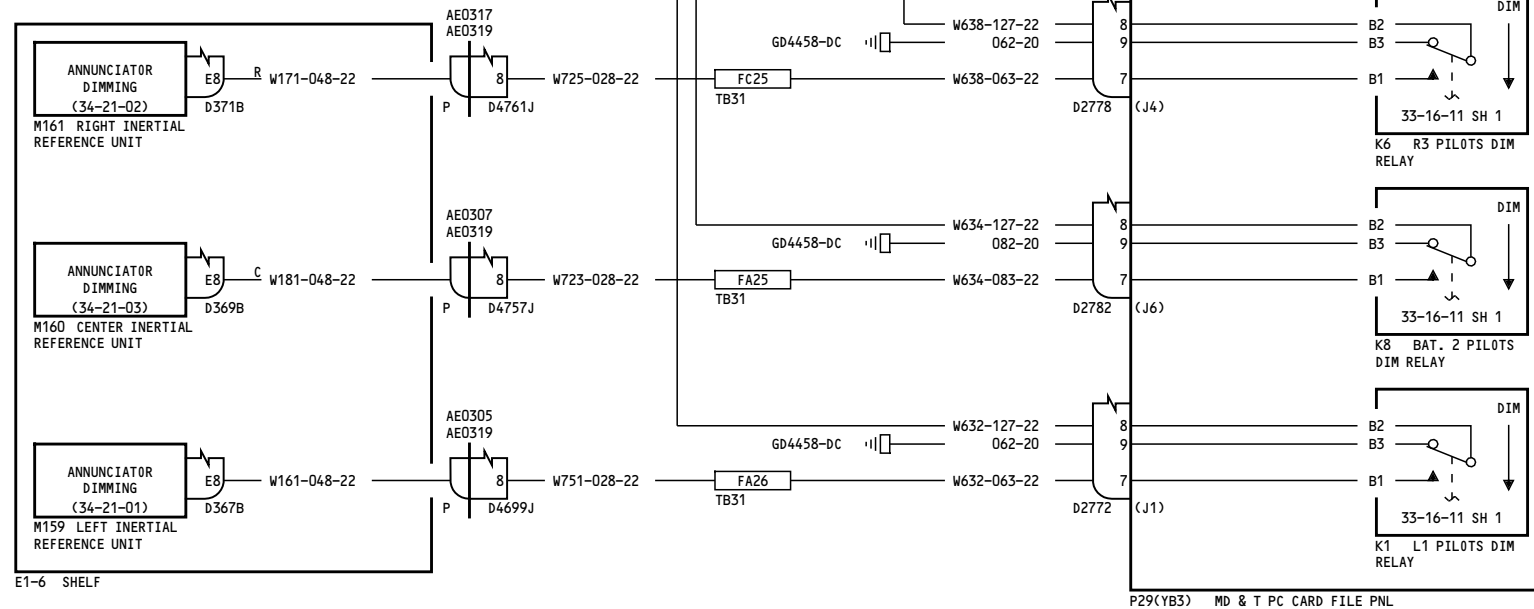
33-16-17

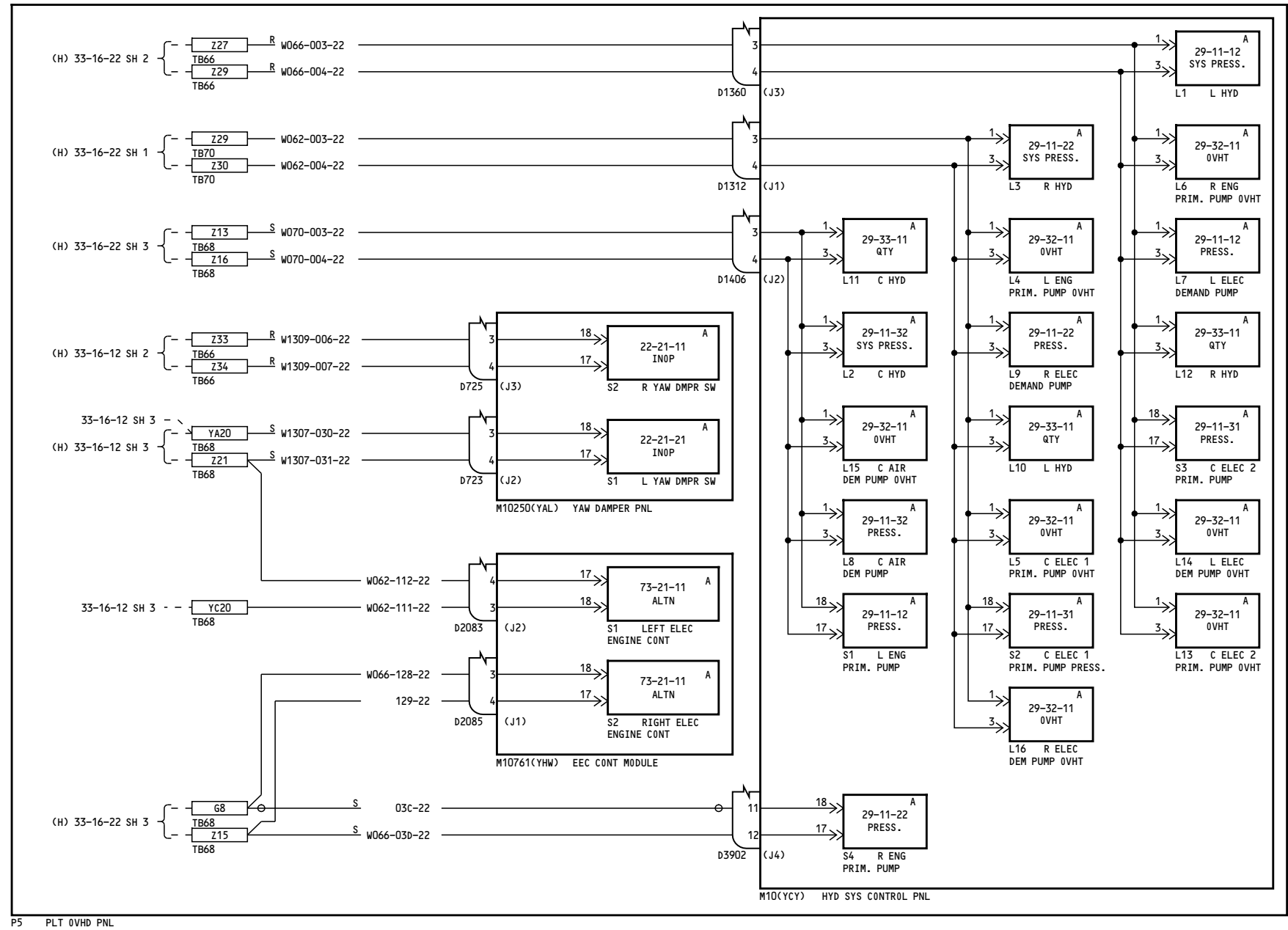
Page 4.1A
Sheet 5
Mar 09/2006



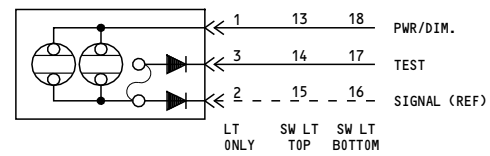


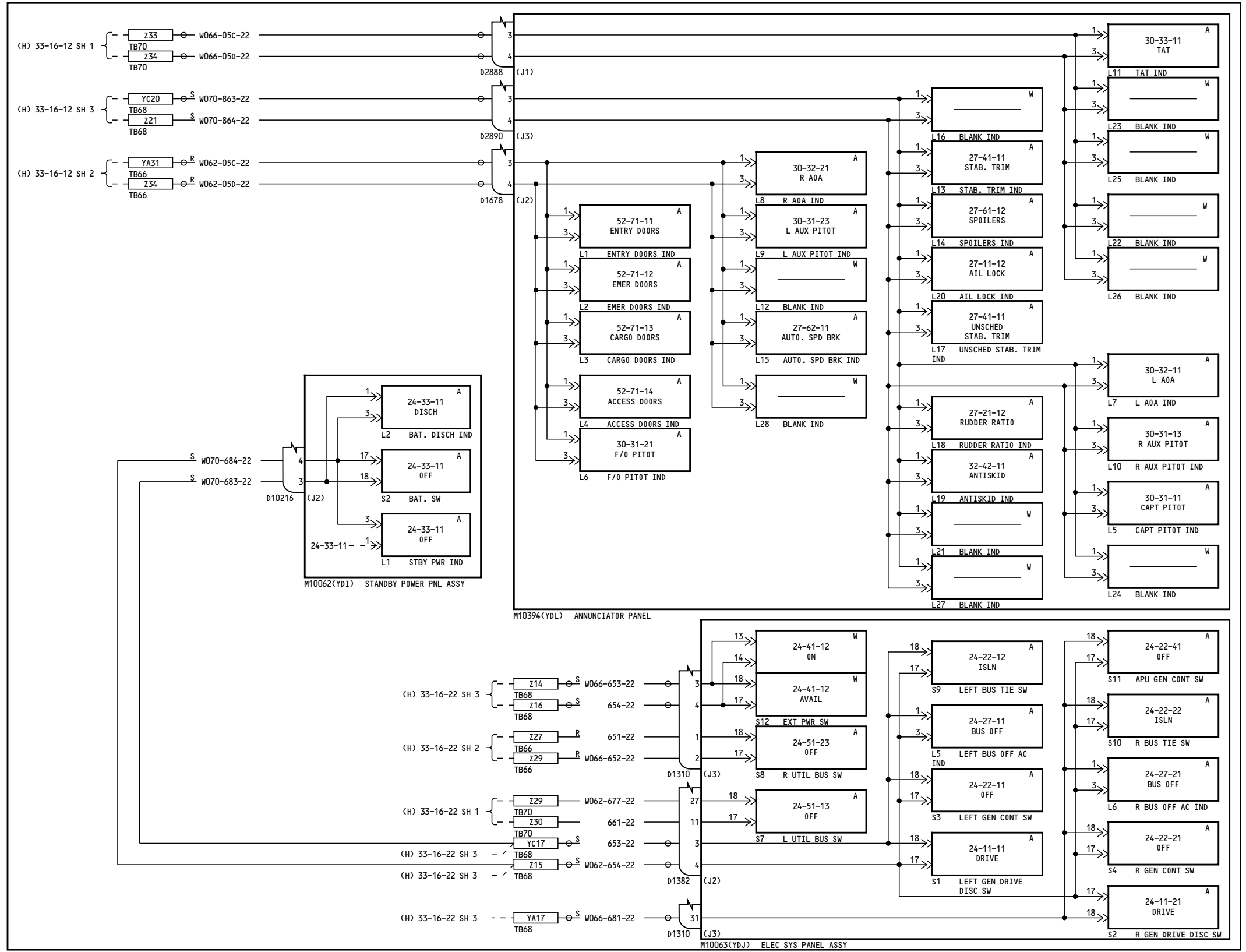
NOTES: TYPICAL ANNUNCIATOR CONFIGURATION FOR EACH INERTIAL REFERENCE SYSTEM IN M59 PNL (P5) (SHOWN FOR REFERENCE ONLY)



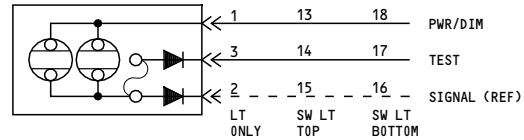


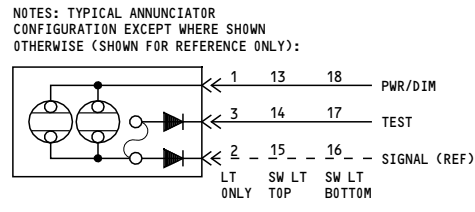
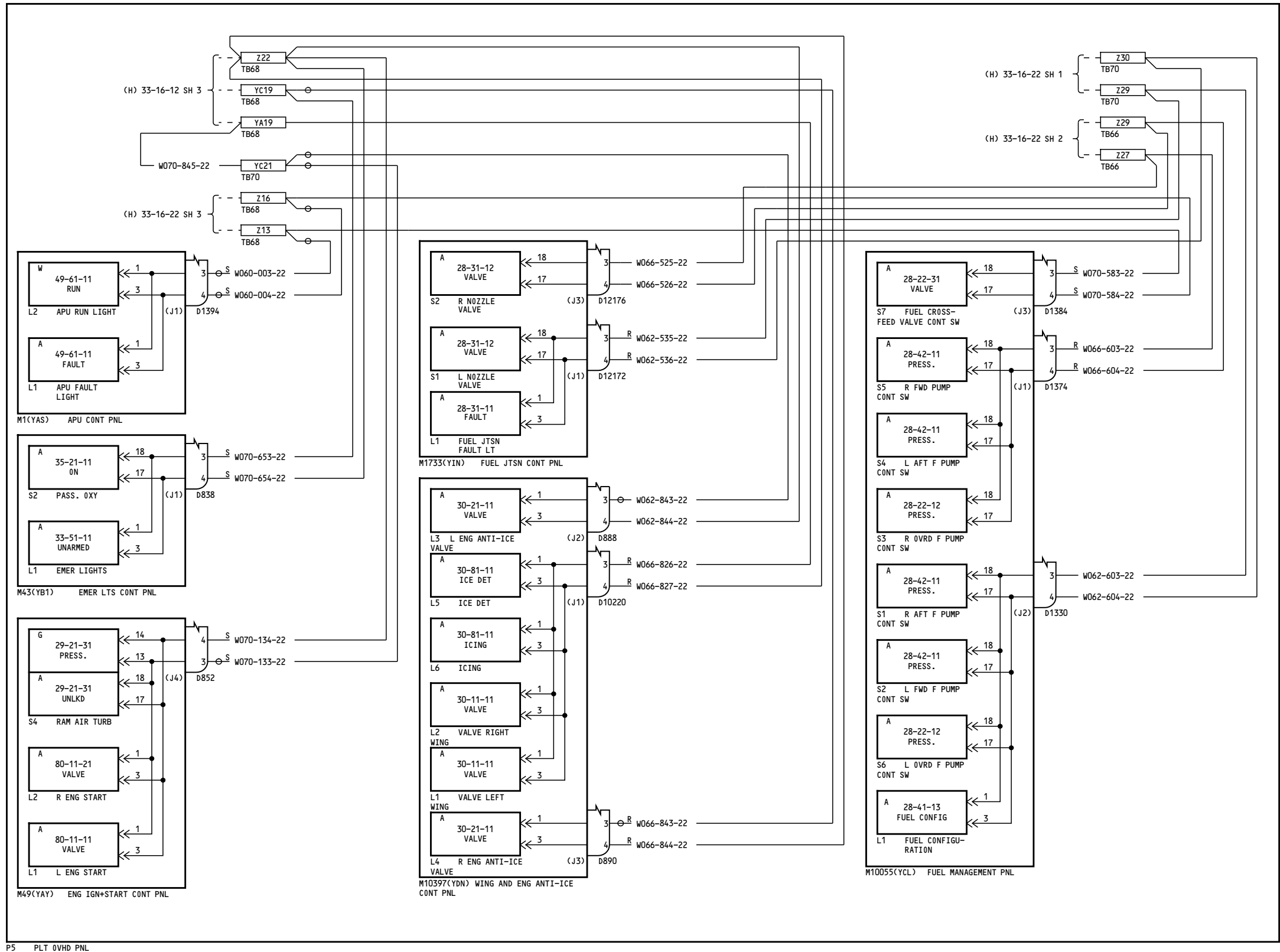
NOTES: TYPICAL ANNUNCIATOR
CONFIGURATION EXCEPT WHERE SHOWN
OTHERWISE (SHOWN FOR REFERENCE ONLY):





NOTES:
TYPICAL ANNUNCIATOR
CONFIGURATION EXCEPT
WHERE SHOWN OTHERWISE
(SHOWN FOR REFERENCE ONLY):





155

MASTER DIM & TEST-PILOTS OVERHEAD & OVERHEAD CB PANEL

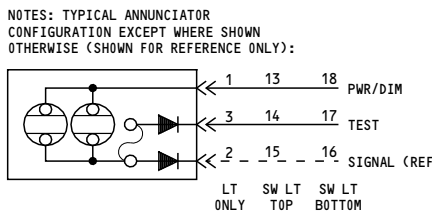
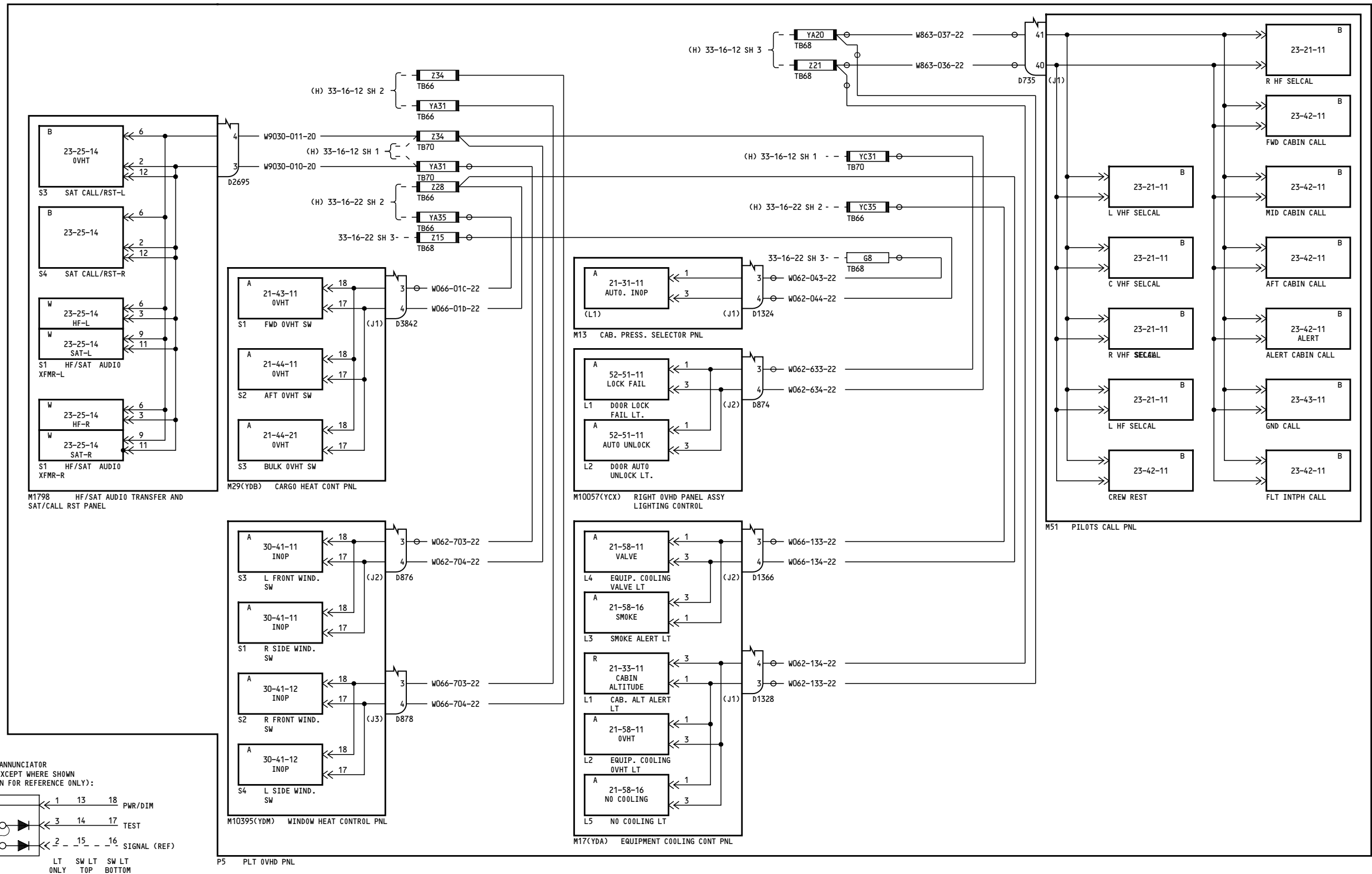
D280T132

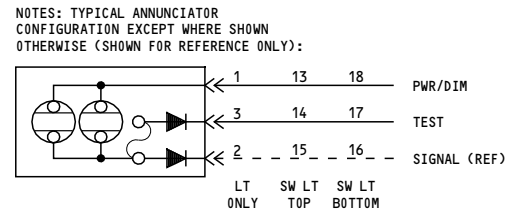
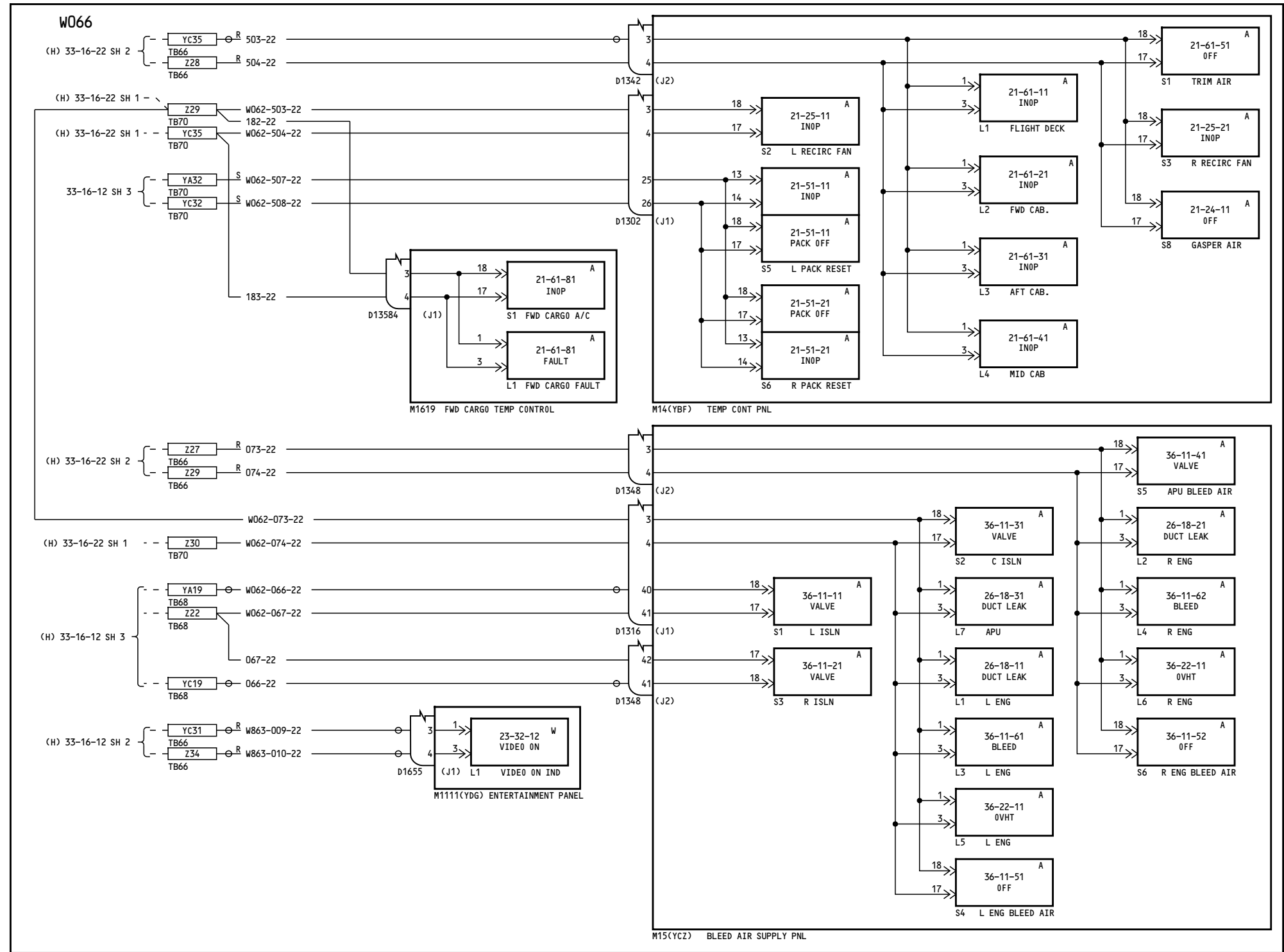
33-16-17

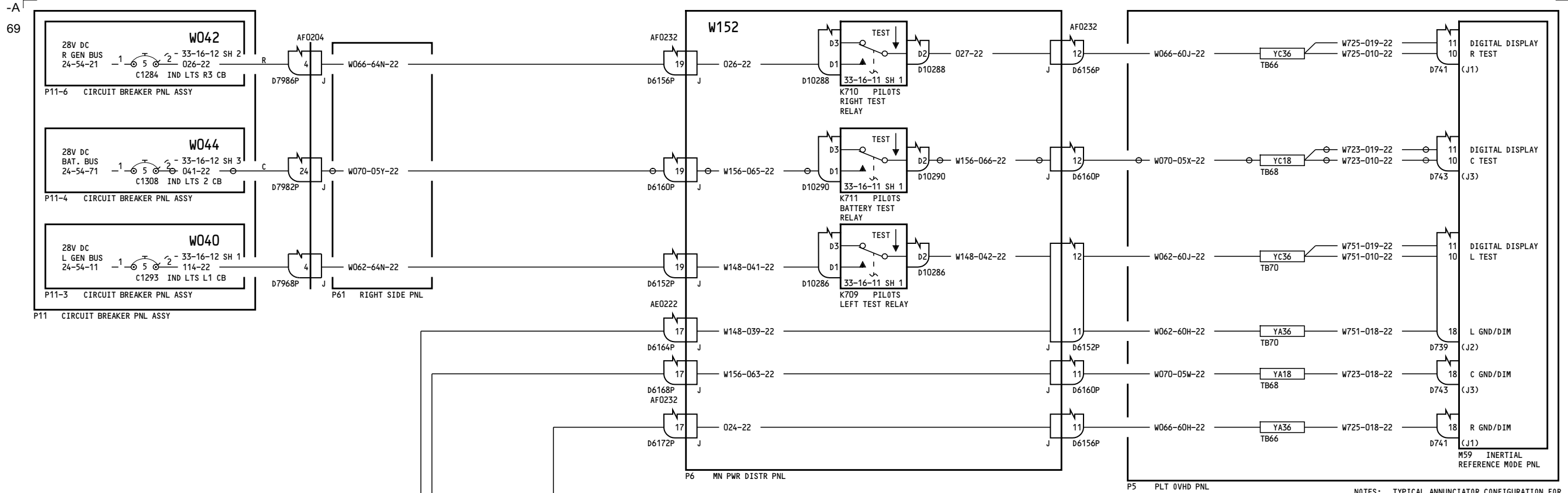
Page 5.1A
Sheet 4
Mar 09/2006

33-16-17

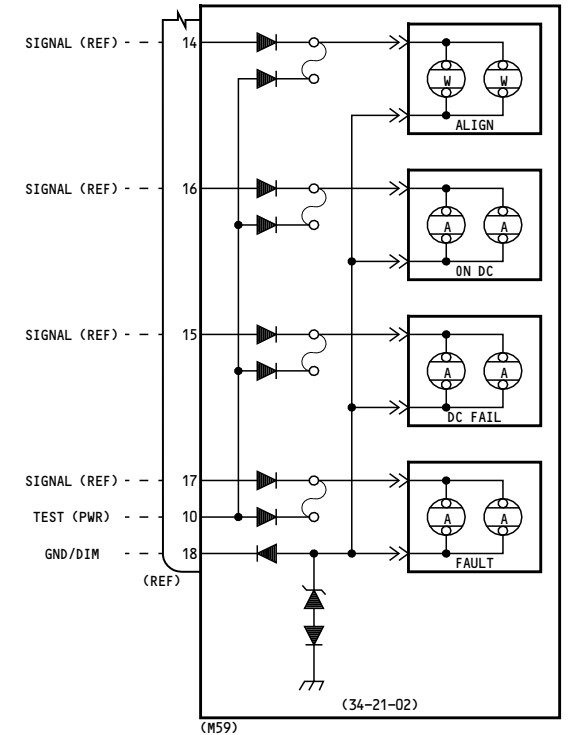
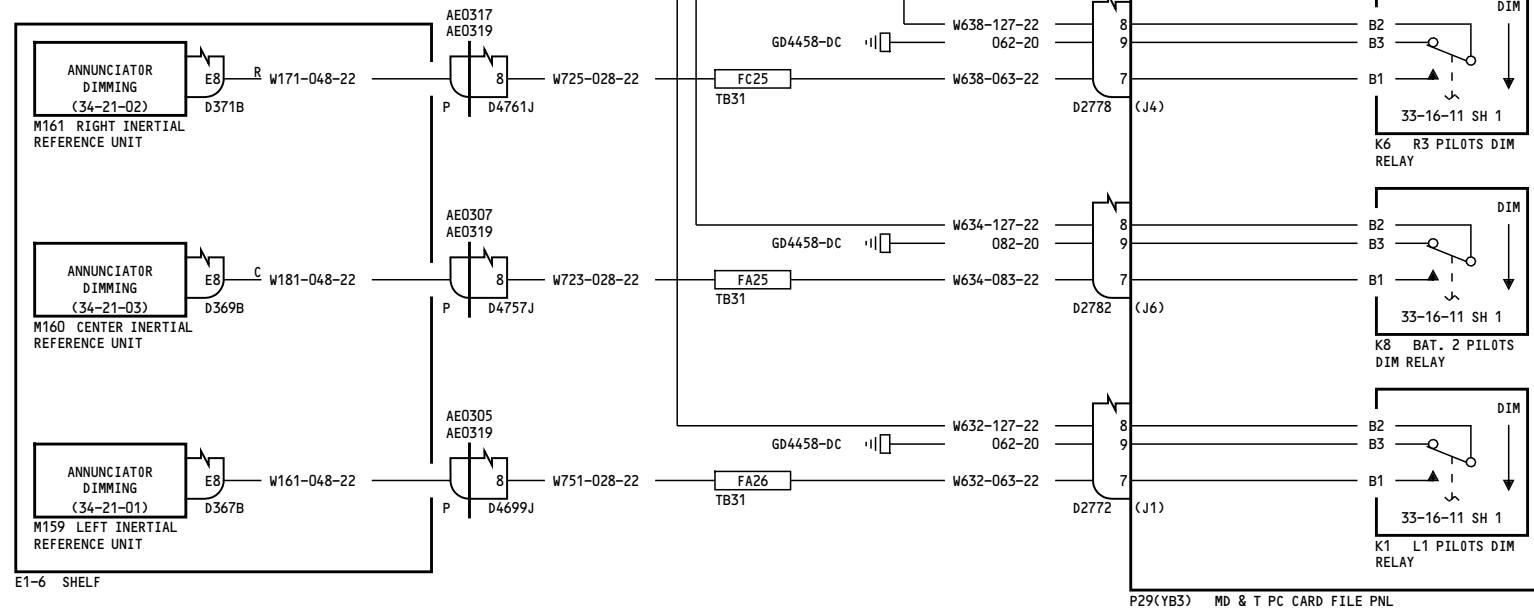
Page 5.1A
Sheet 4
Mar 09/2006







NOTES: TYPICAL ANNUNCIATOR CONFIGURATION FOR EACH INERTIAL REFERENCE SYSTEM IN M59 PNL (P5) (SHOWN FOR REFERENCE ONLY)



156, 166-167

MASTER DIM & TEST-PILOTS OVERHEAD & OVERHEAD CB PANEL

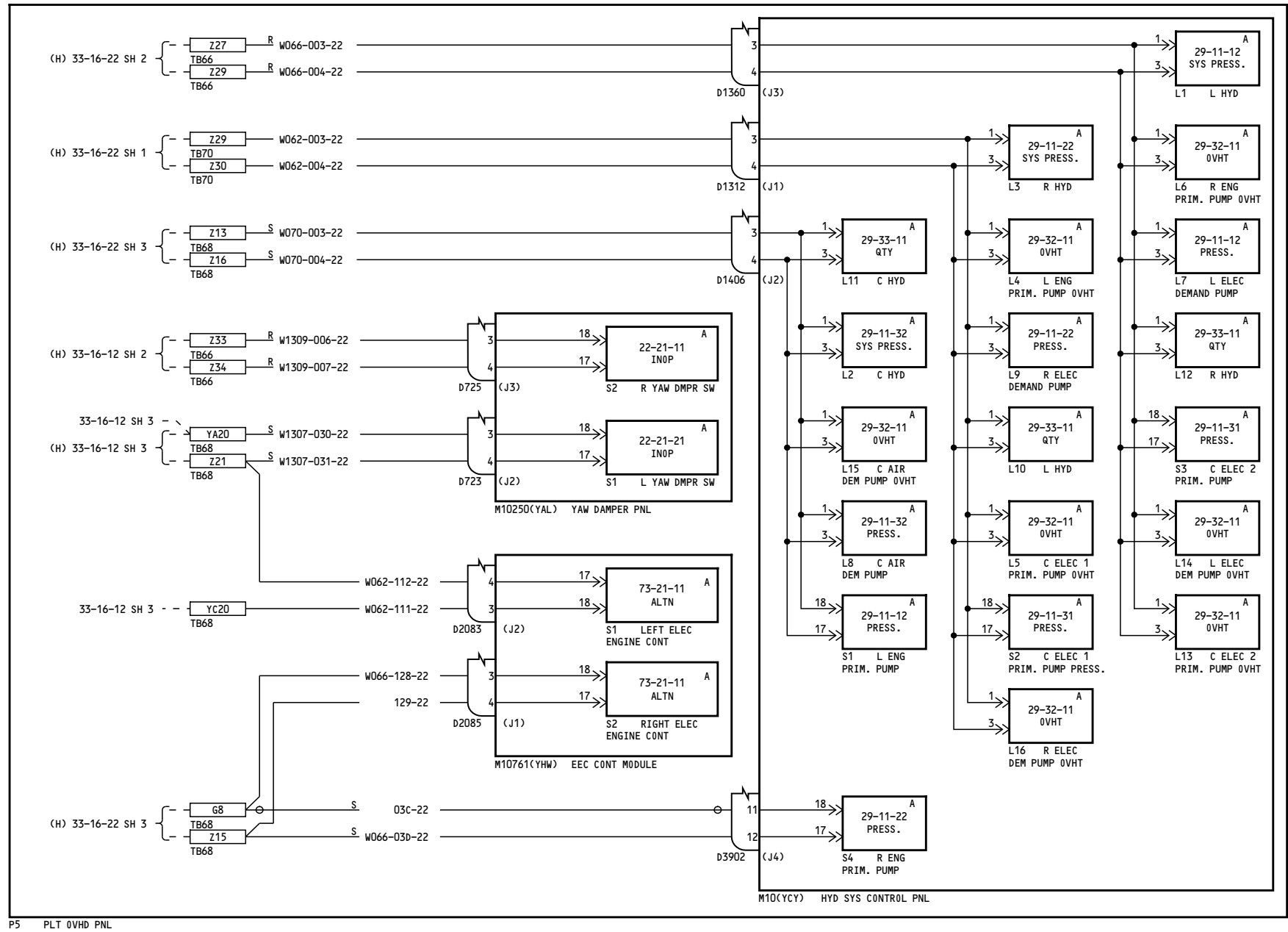
D280T132

33-16-17

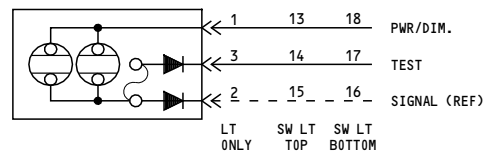
Page 6A
Sheet 1
Mar 09/2006

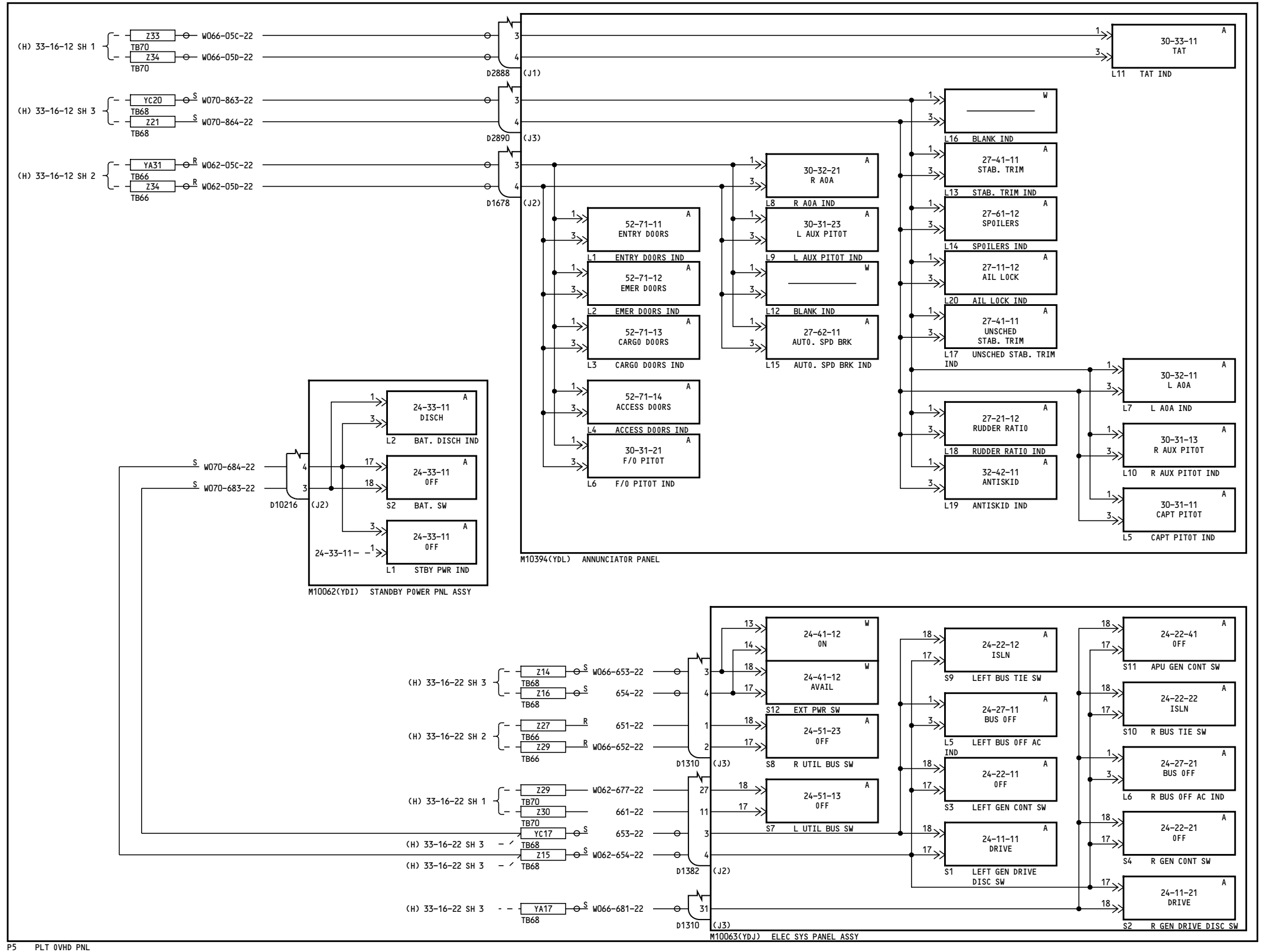
33-16-17

Page 6A
Sheet 1
Mar 09/2006

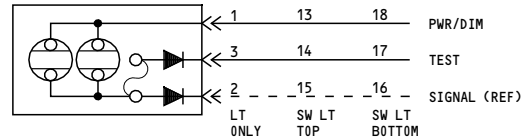


NOTES: TYPICAL ANNUNCIATOR CONFIGURATION EXCEPT WHERE SHOWN OTHERWISE (SHOWN FOR REFERENCE ONLY):





NOTES:
TYPICAL ANNUNCIATOR
CONFIGURATION EXCEPT
WHERE SHOWN OTHERWISE
(SHOWN FOR REFERENCE ONLY):



156, 166-167

MASTER DIM & TEST-PILOTS OVERHEAD & OVERHEAD CB PANEL

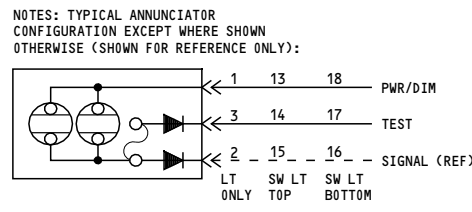
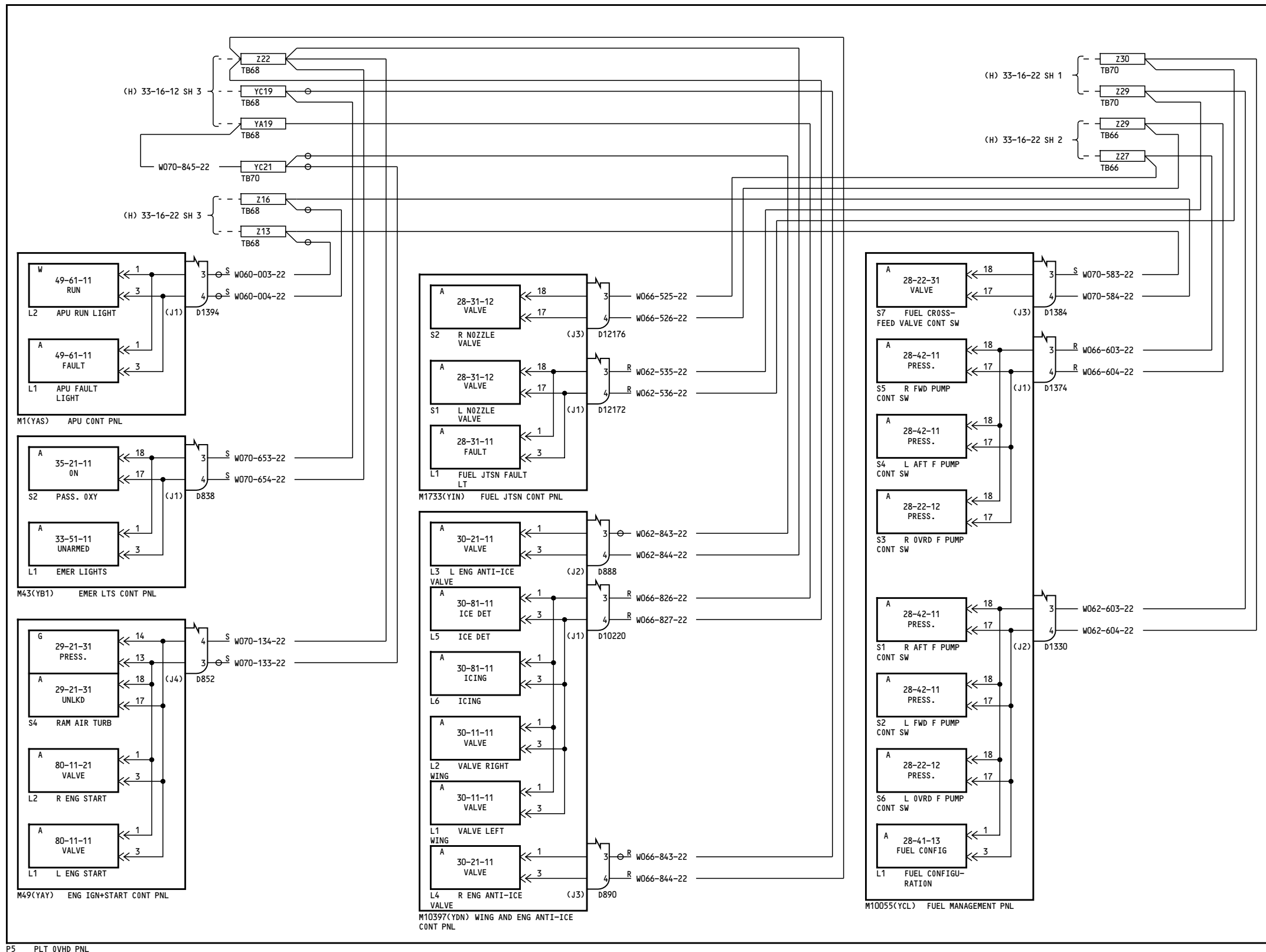
33-16-17

Page 6A
Sheet 3
Mar 09/2006

D280T132

33-16-17

Page 6A
Sheet 3
Mar 09/2006



156, 166-167

MASTER DIM & TEST-PILOTS OVERHEAD & OVERHEAD CB PANEL

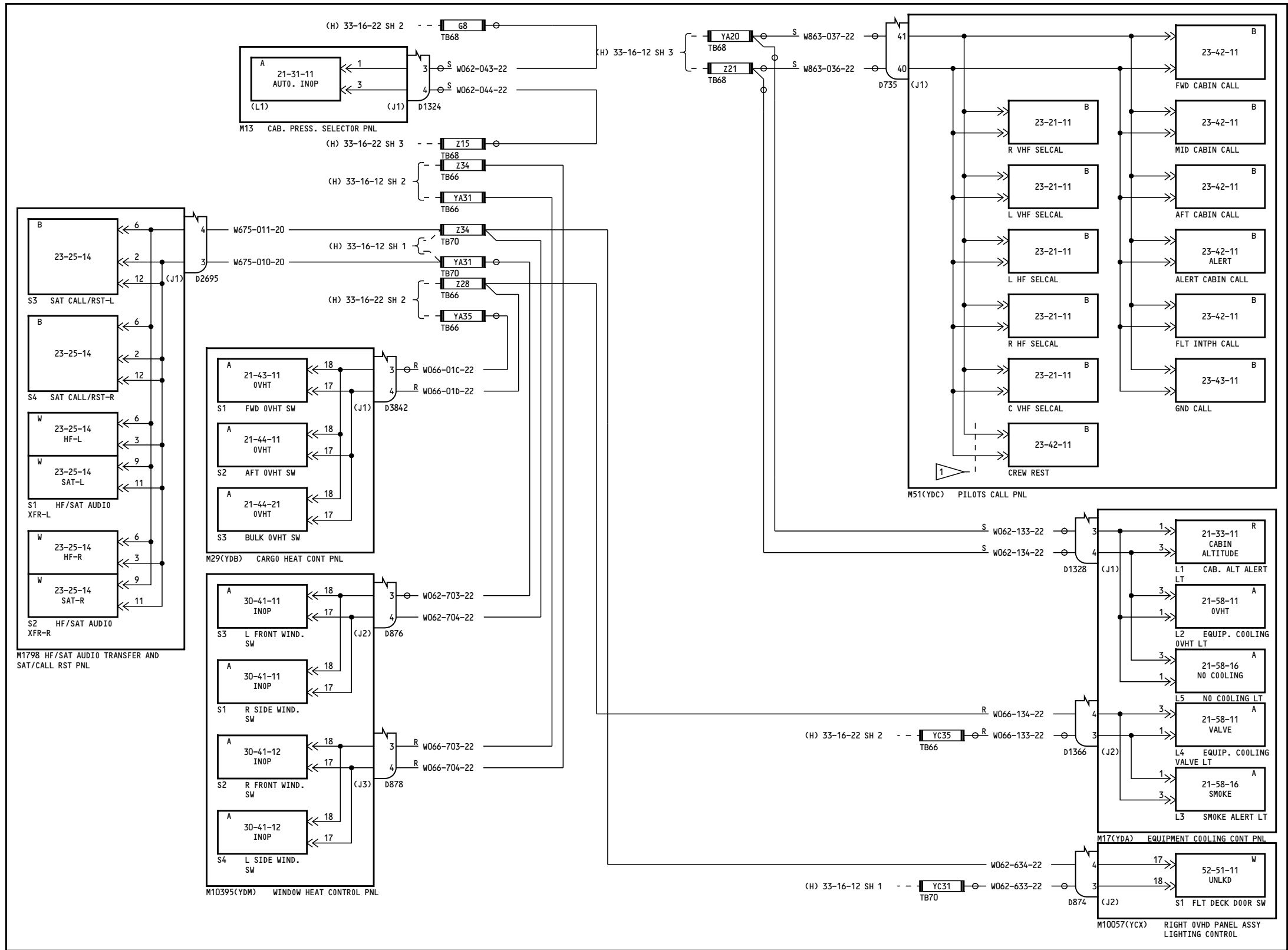
D280T132

33-16-17

Page 6A
Sheet 4
Mar 09/2006

33-16-17

Page 6A
Sheet 4
Mar 09/2006



NOTES: TYPICAL ANNUNCIATOR CONFIGURATION EXCEPT WHERE SHOWN OTHERWISE (SHOWN FOR REFERENCE ONLY):

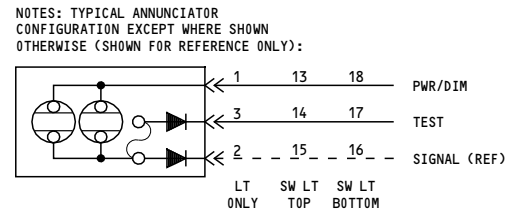
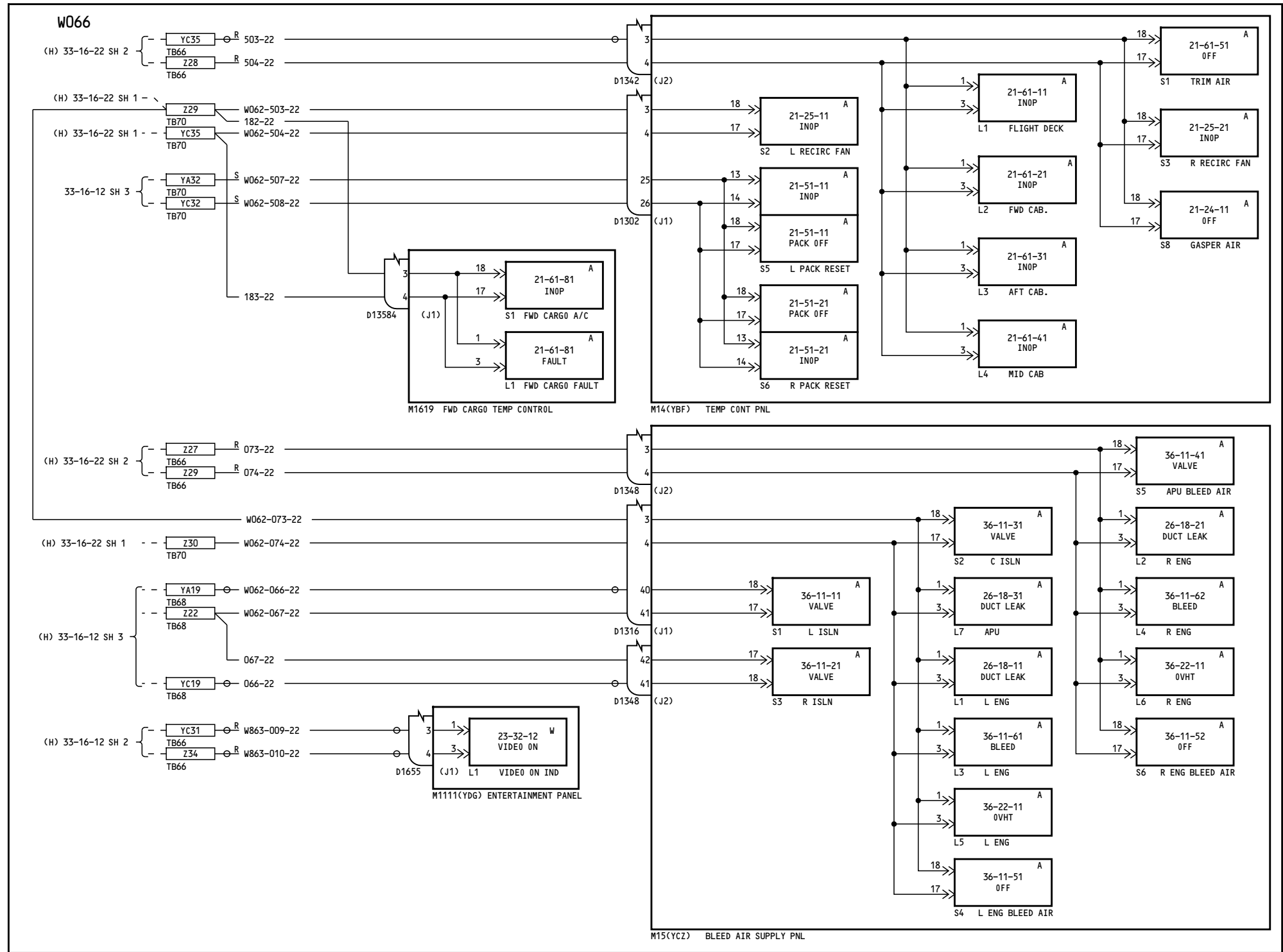
NOTES:
1 VN167-VN170 (166-166)

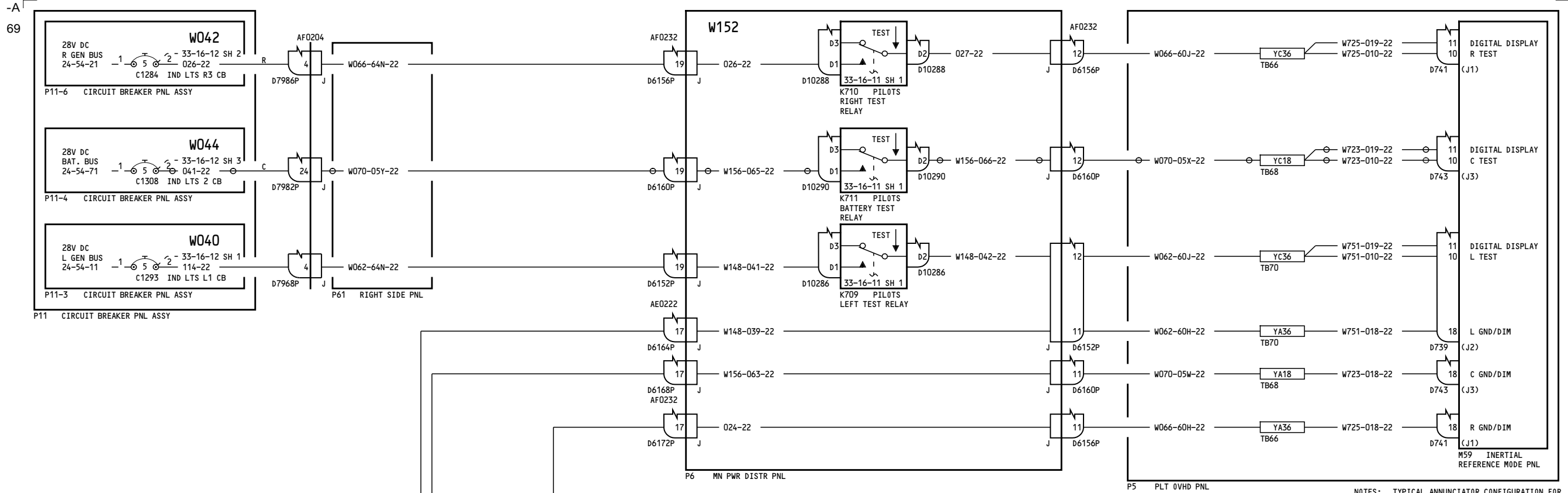
156, 166-167
MASTER DIM & TEST-PILOTS OVERHEAD & OVERHEAD CB PANEL
D280T132

33-16-17
Page 6A
Sheet 5
Mar 09/2006

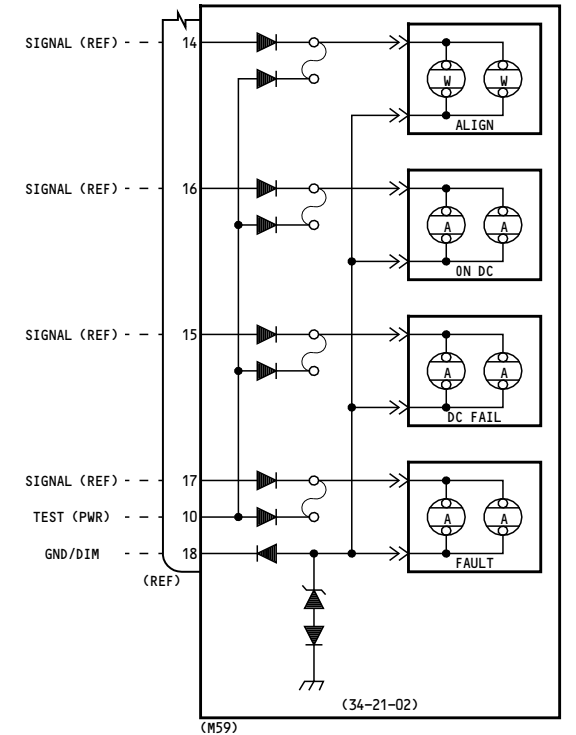
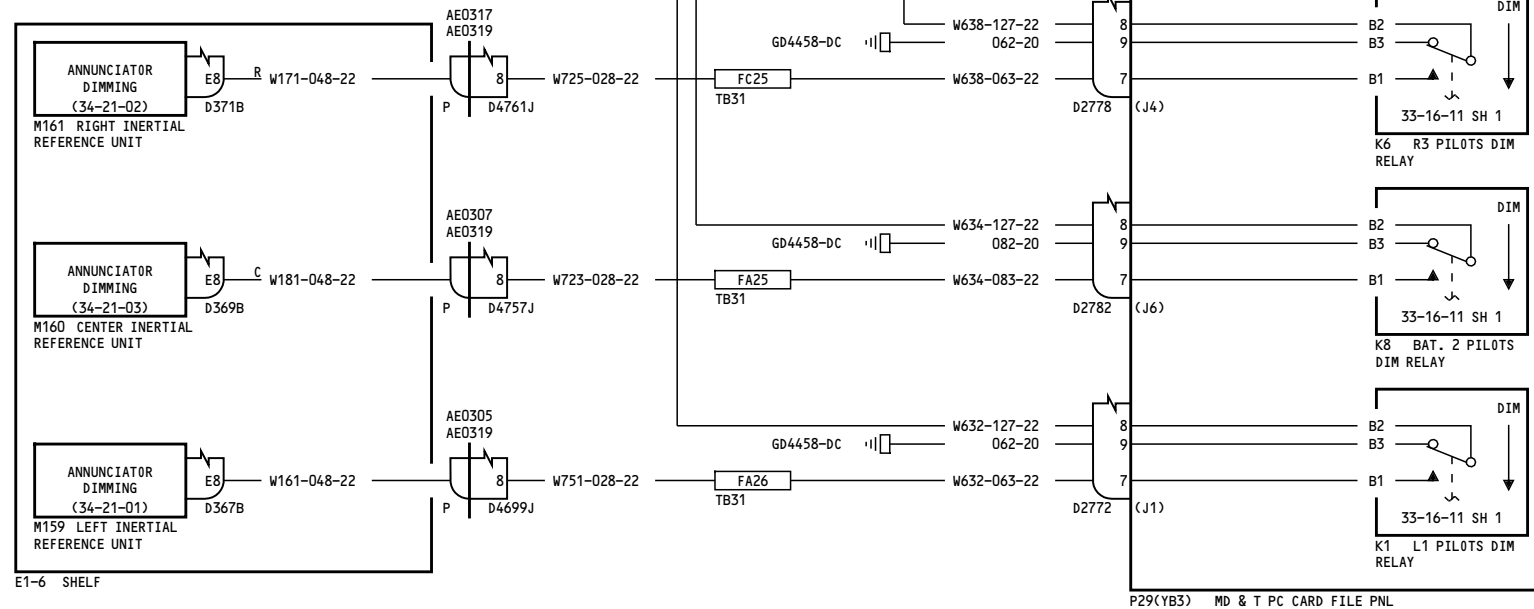
Incorporates MTO 230591 & 230592

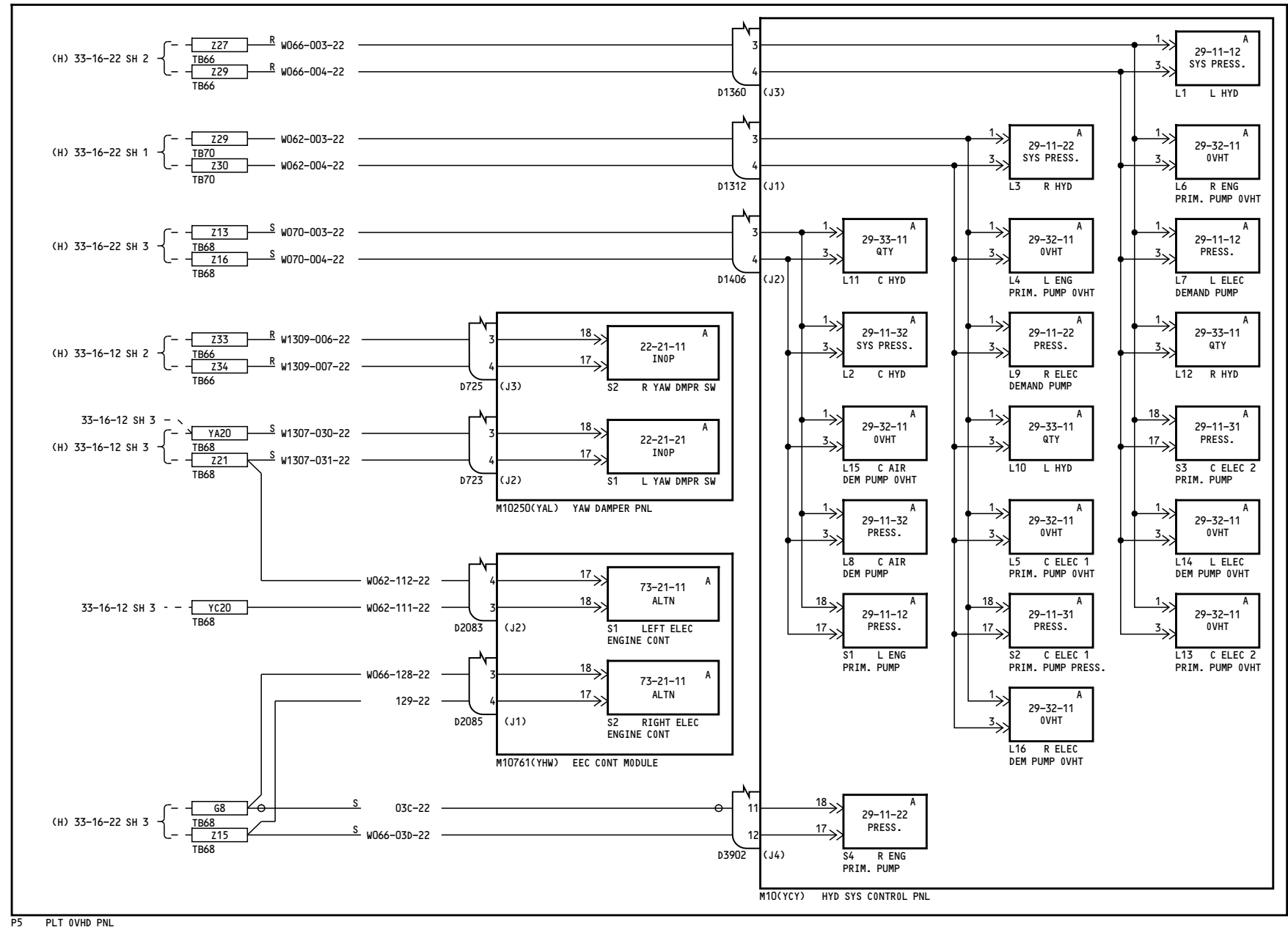
33-16-17
Page 6A
Sheet 5
Mar 09/2006



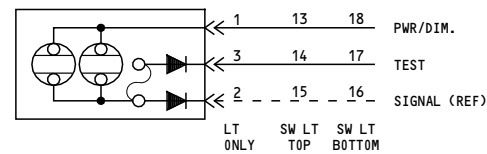


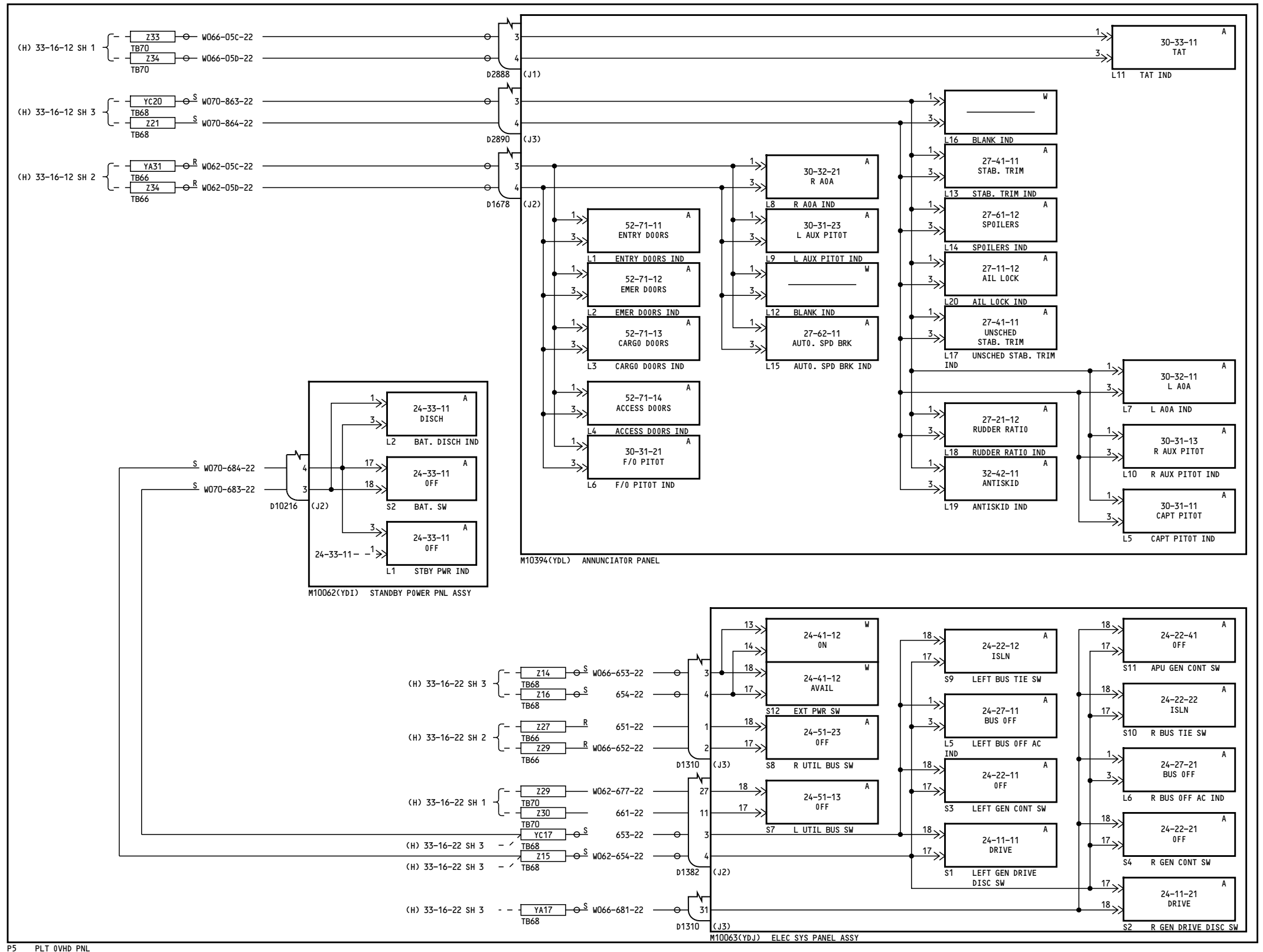
NOTES: TYPICAL ANNUNCIATOR CONFIGURATION FOR EACH INERTIAL REFERENCE SYSTEM IN M59 PNL (P5) (SHOWN FOR REFERENCE ONLY)



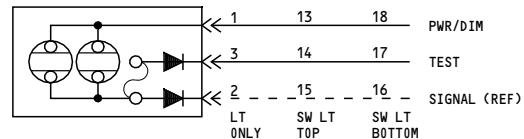


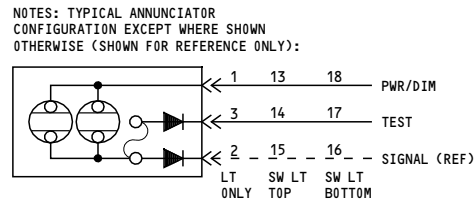
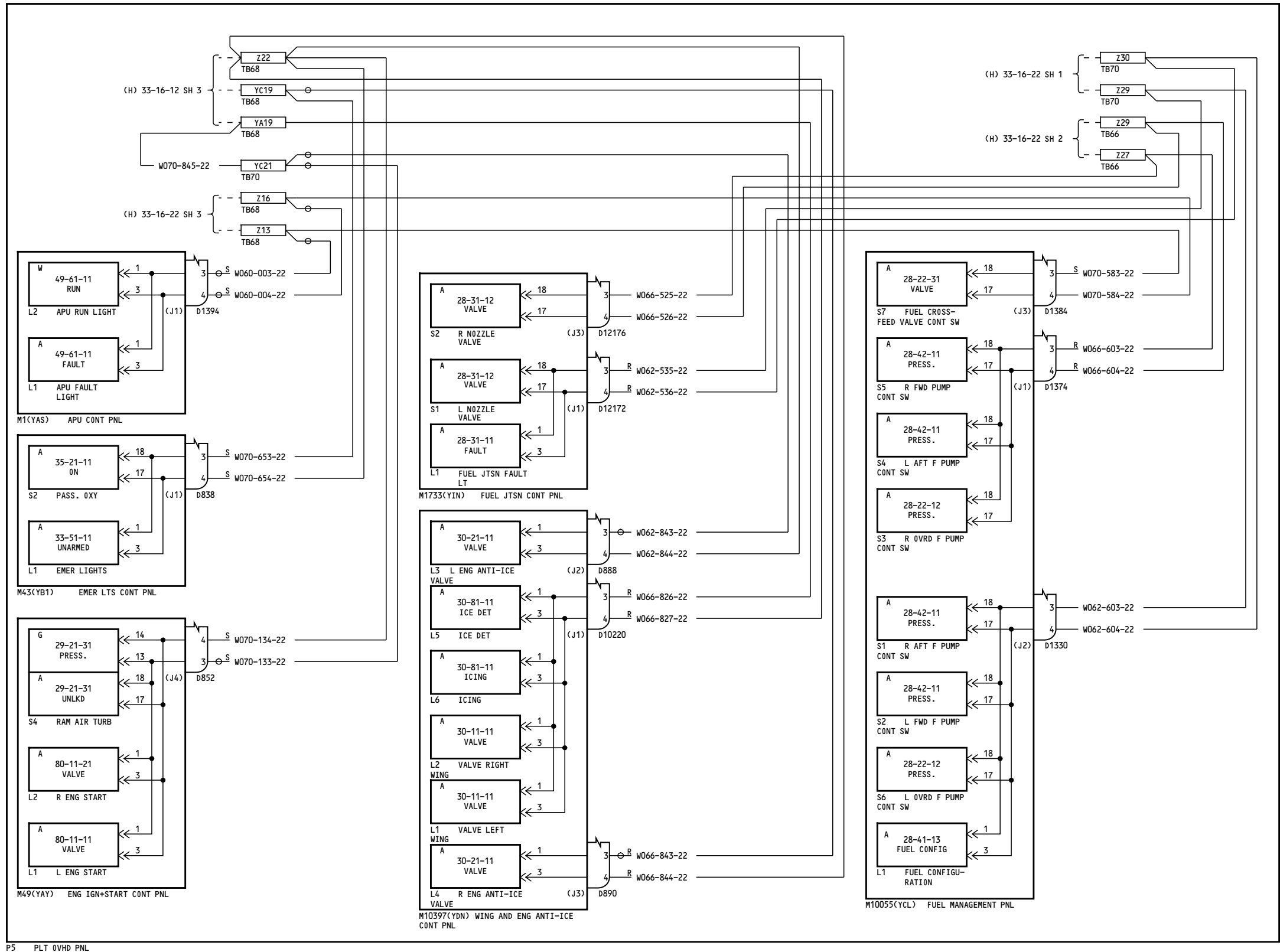
NOTES: TYPICAL ANNUNCIATOR CONFIGURATION EXCEPT WHERE SHOWN OTHERWISE (SHOWN FOR REFERENCE ONLY):





NOTES:
 TYPICAL ANNUNCIATOR
 CONFIGURATION EXCEPT
 WHERE SHOWN OTHERWISE
 (SHOWN FOR REFERENCE ONLY):





156

MASTER DIM & TEST-PILOTS OVERHEAD & OVERHEAD CB PANEL

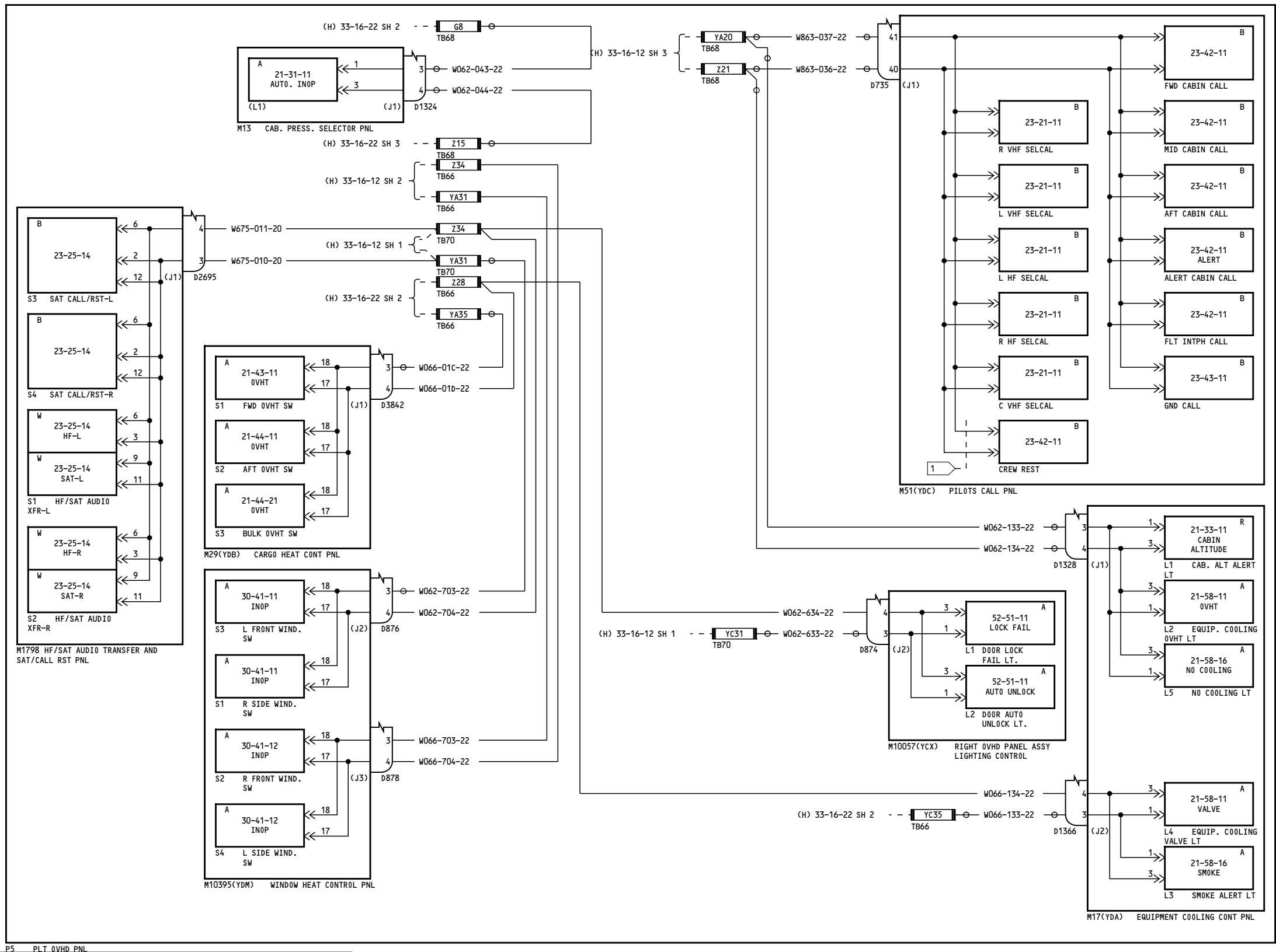
D280T132

33-16-17

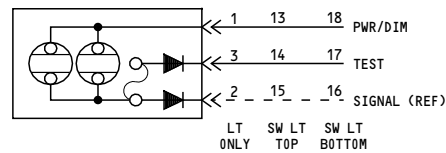
Page 6.1A
Sheet 4
Mar 09/2006

33-16-17

Page 6.1A
Sheet 4
Mar 09/2006



NOTES: TYPICAL ANNUNCIATOR CONFIGURATION EXCEPT WHERE SHOWN OTHERWISE (SHOWN FOR REFERENCE ONLY):



NOTES:
1 VN167-VN170 (166-166)

MASTER DIM & TEST-PILOTS OVERHEAD & OVERHEAD CB PANEL

D280T132

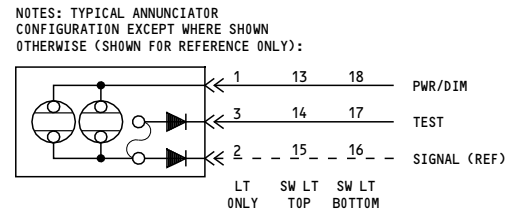
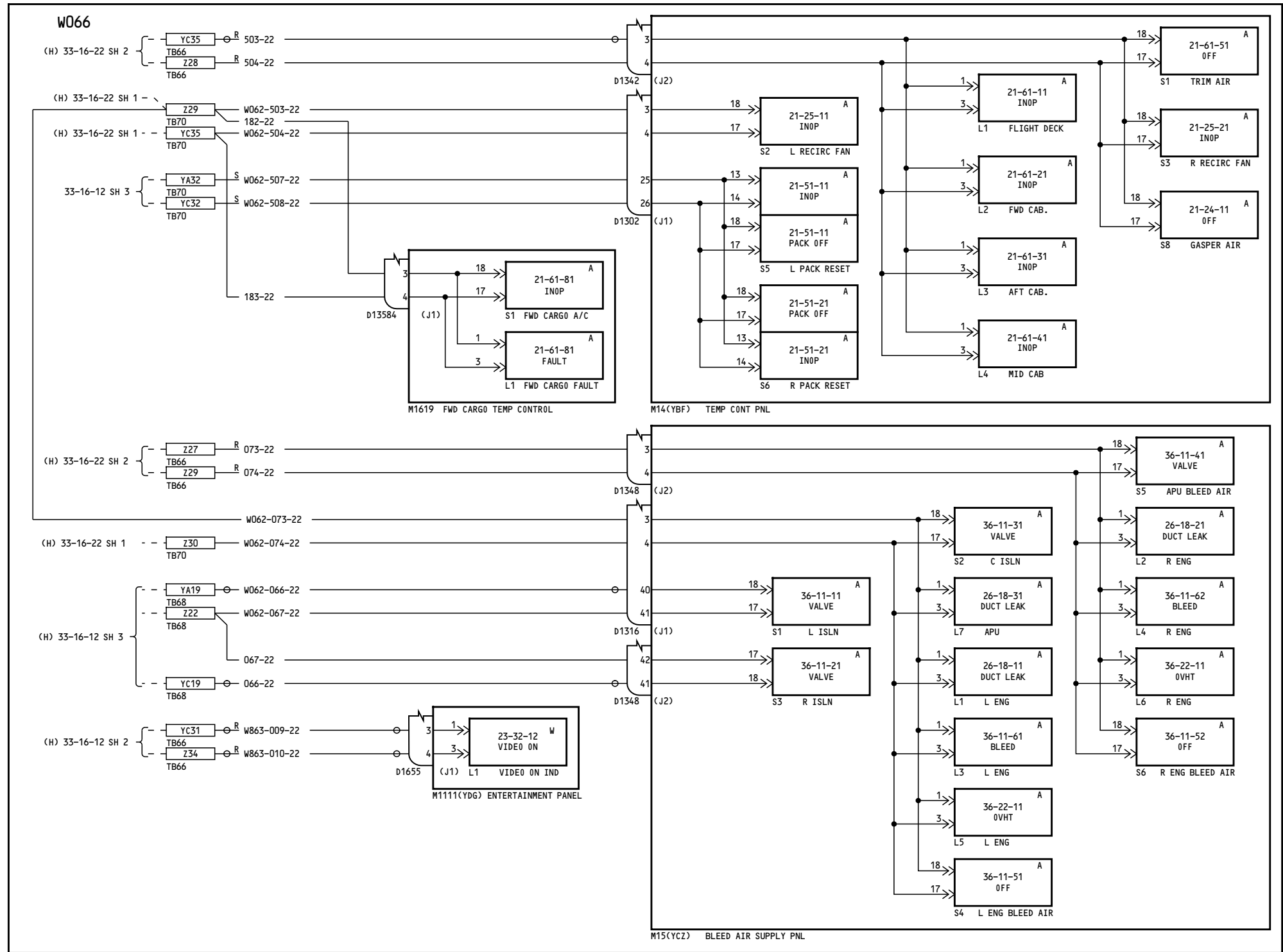
33-16-17

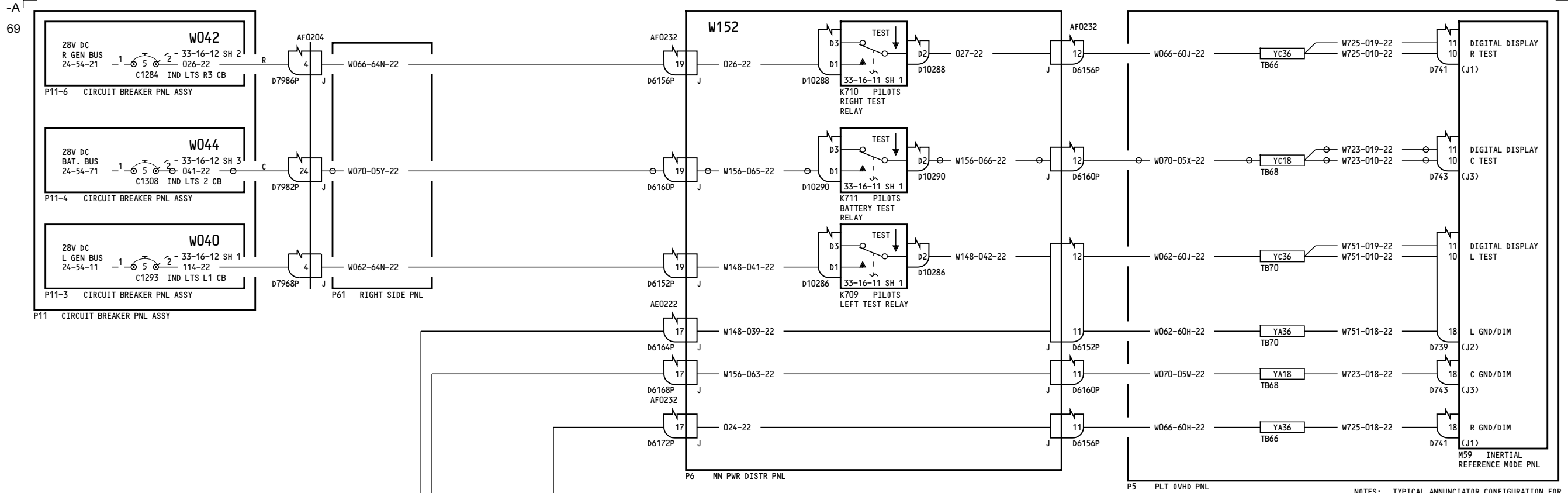
Page 6.1A
Sheet 5
Mar 09/2006

Incorporates
25-0325 R07
MTO 230591 & 230592

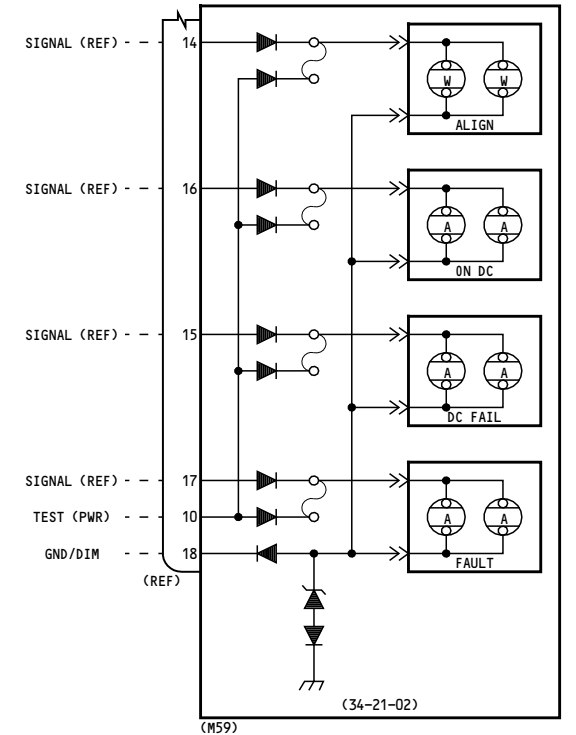
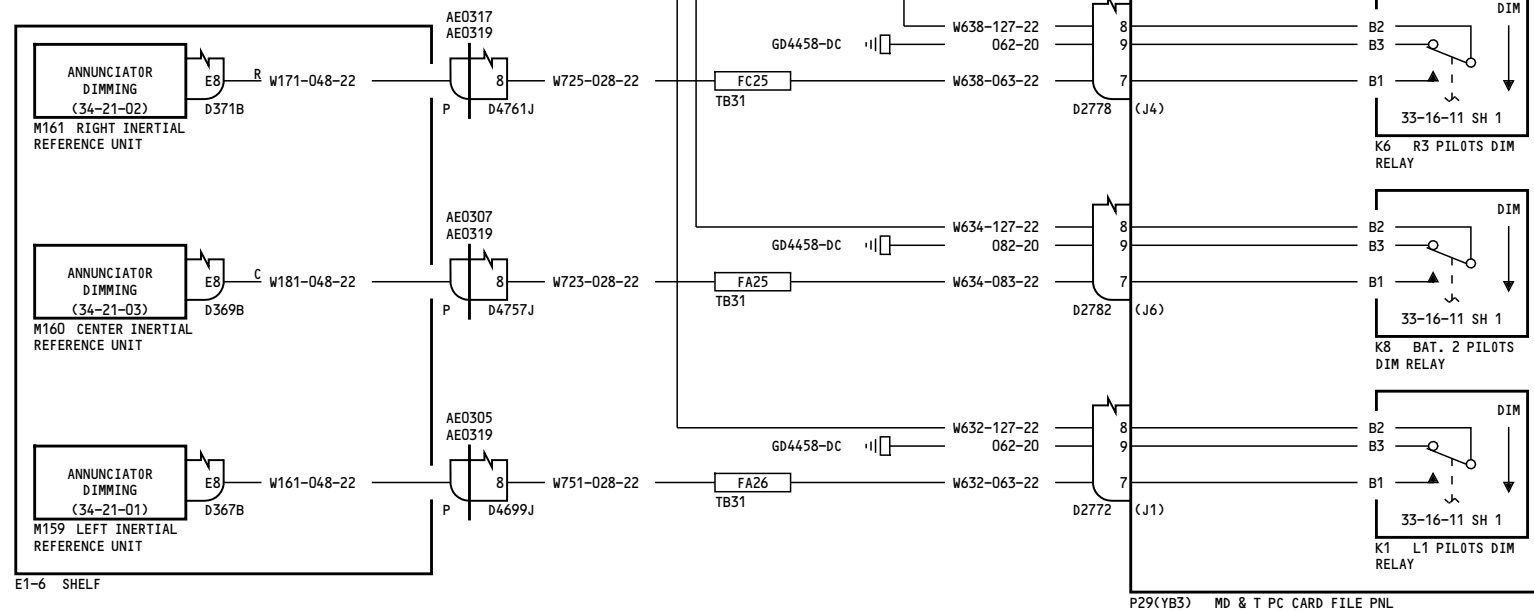
33-16-17

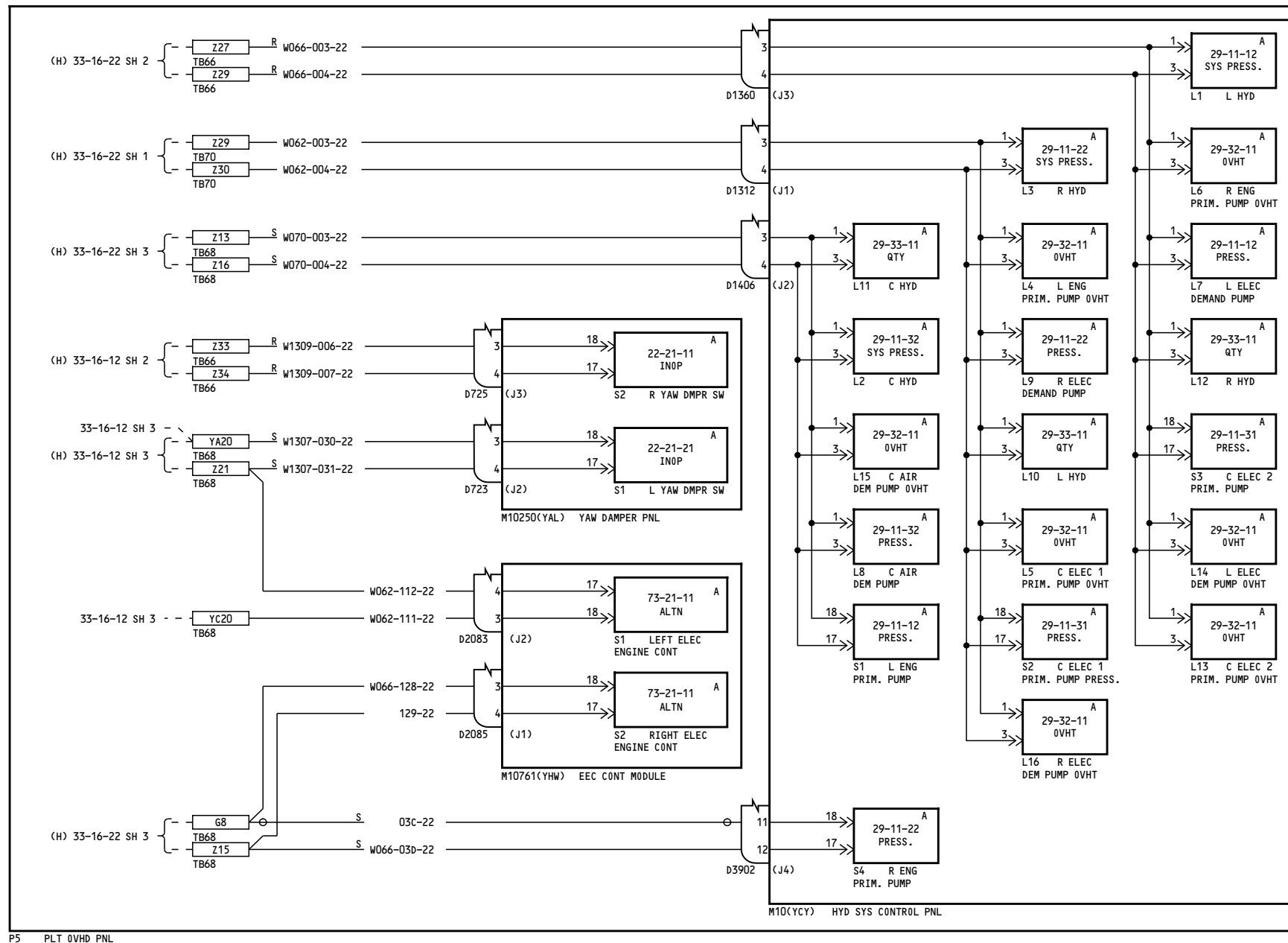
Page 6.1A
Sheet 5
Mar 09/2006



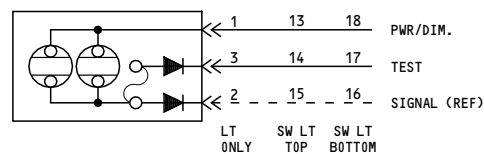


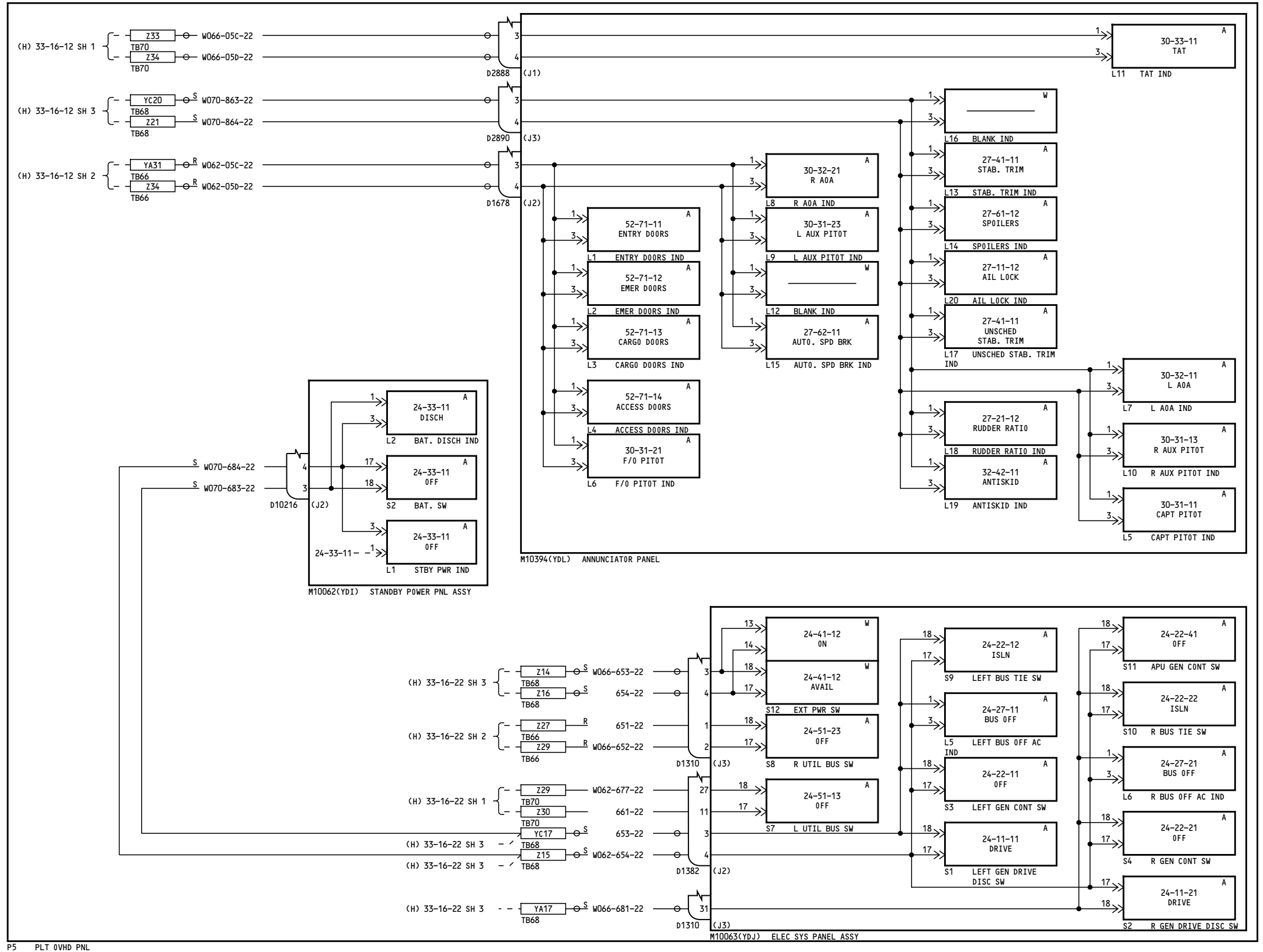
NOTES: TYPICAL ANNUNCIATOR CONFIGURATION FOR EACH INERTIAL REFERENCE SYSTEM IN M59 PNL (P5) (SHOWN FOR REFERENCE ONLY)



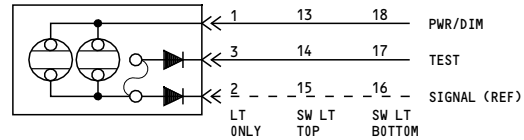


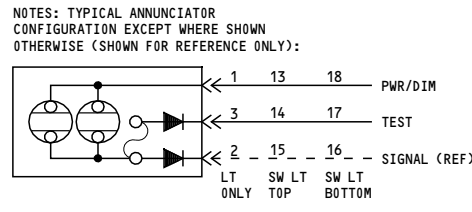
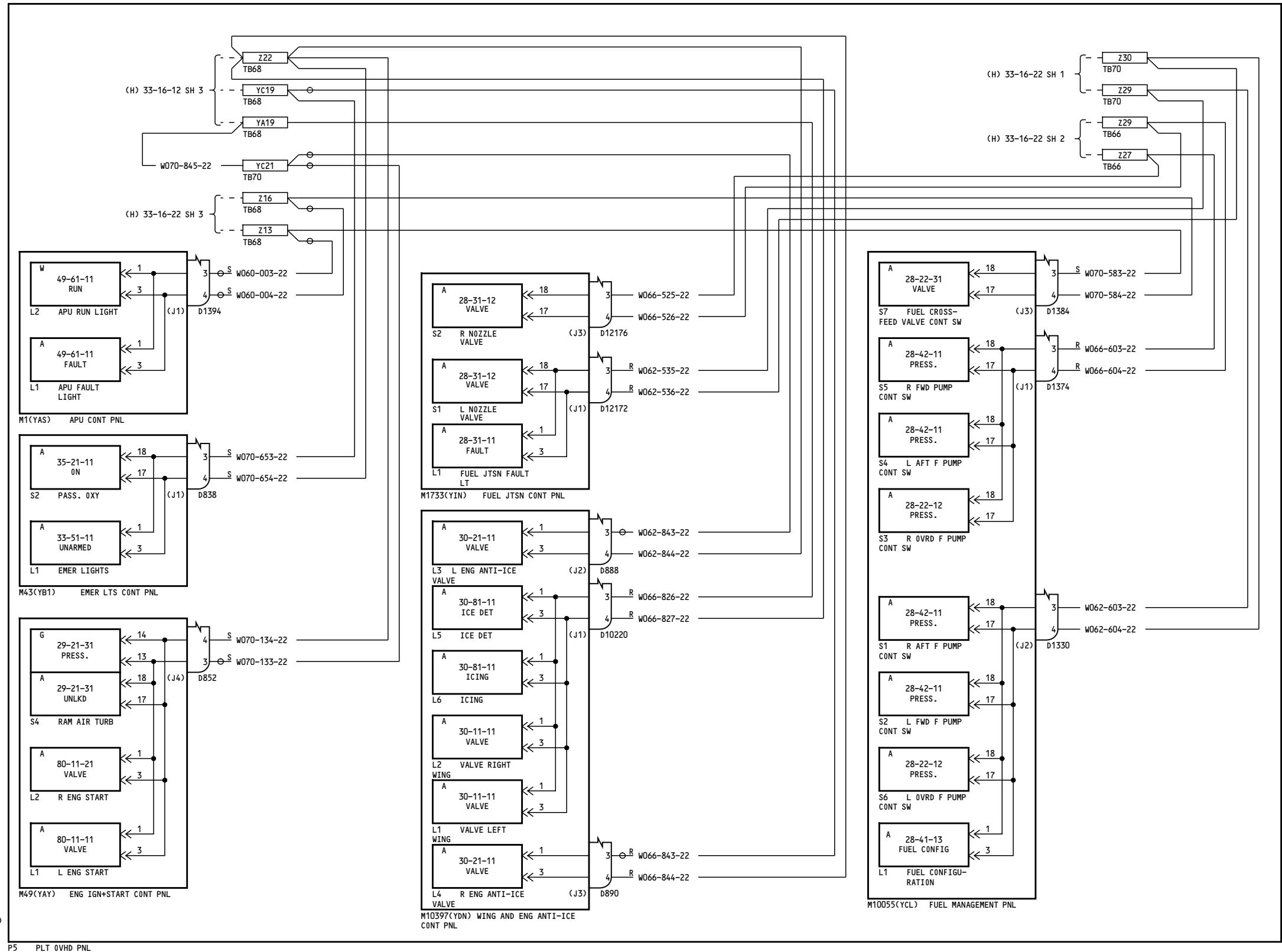
NOTES: TYPICAL ANNUNCIATOR CONFIGURATION EXCEPT WHERE SHOWN OTHERWISE (SHOWN FOR REFERENCE ONLY):





NOTES:
TYPICAL ANNUNCIATOR
CONFIGURATION EXCEPT
WHERE SHOWN OTHERWISE
(SHOWN FOR REFERENCE ONLY):

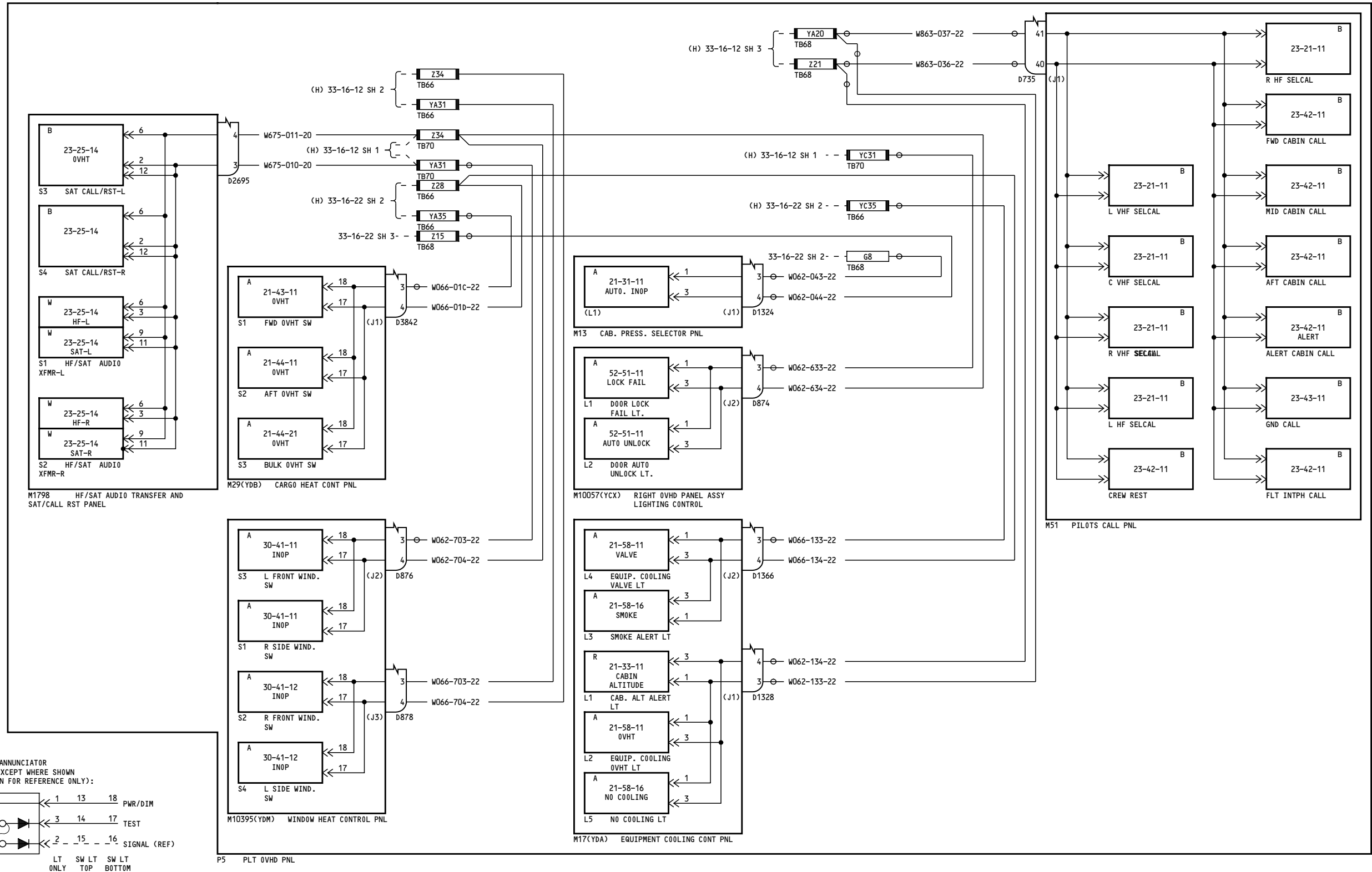




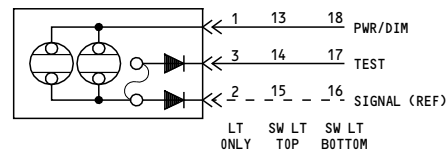
166

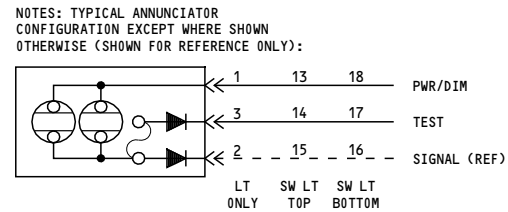
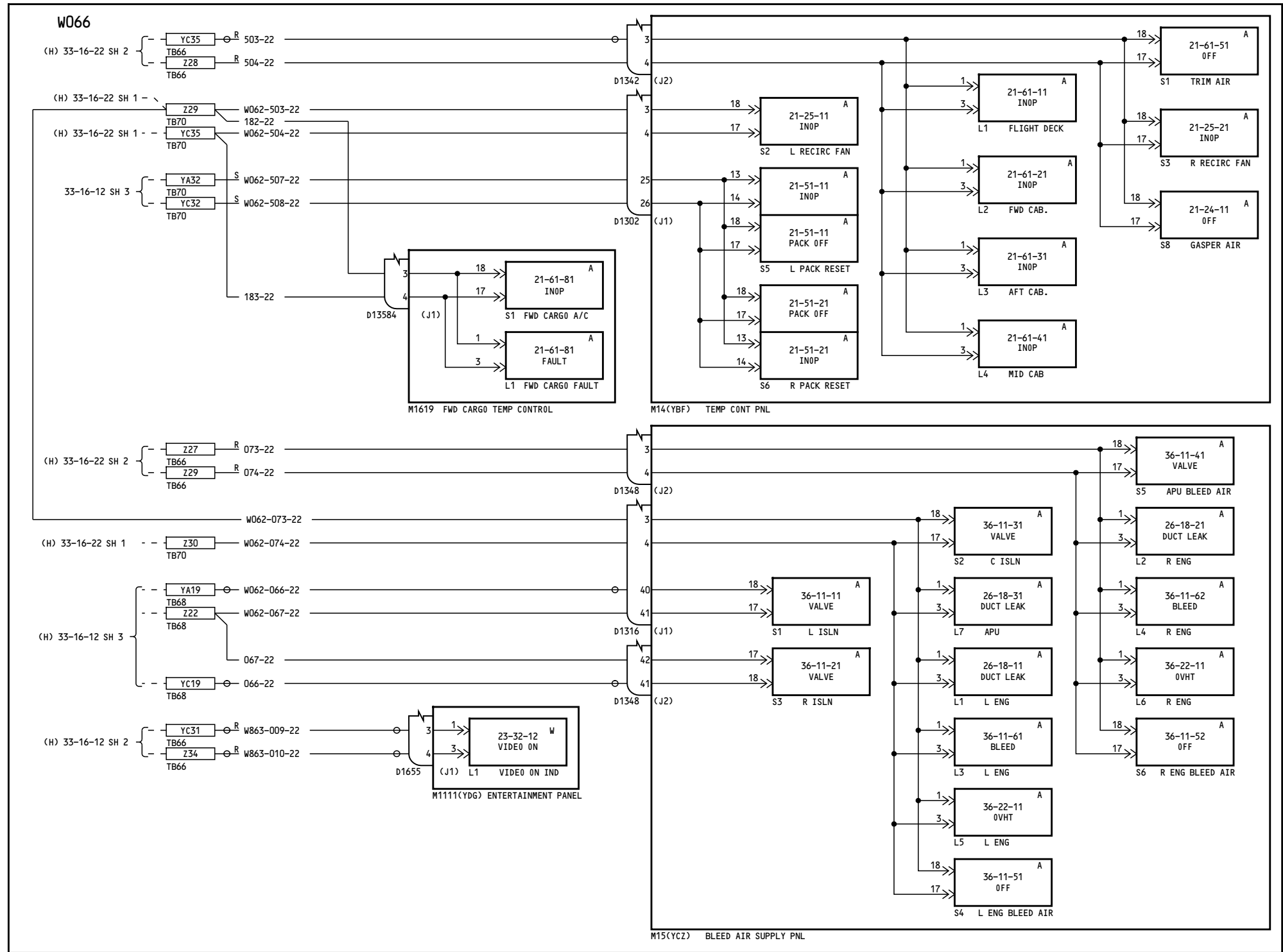
MASTER DIM & TEST-PILOTS OVERHEAD & OVERHEAD CB PANEL

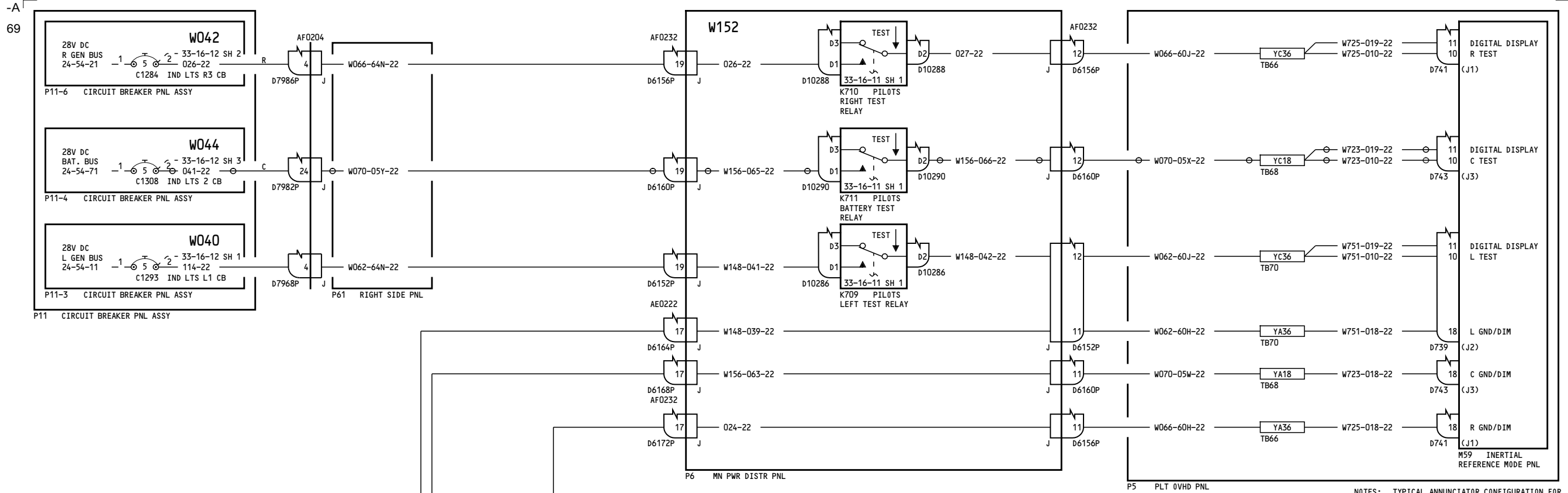
D280T132



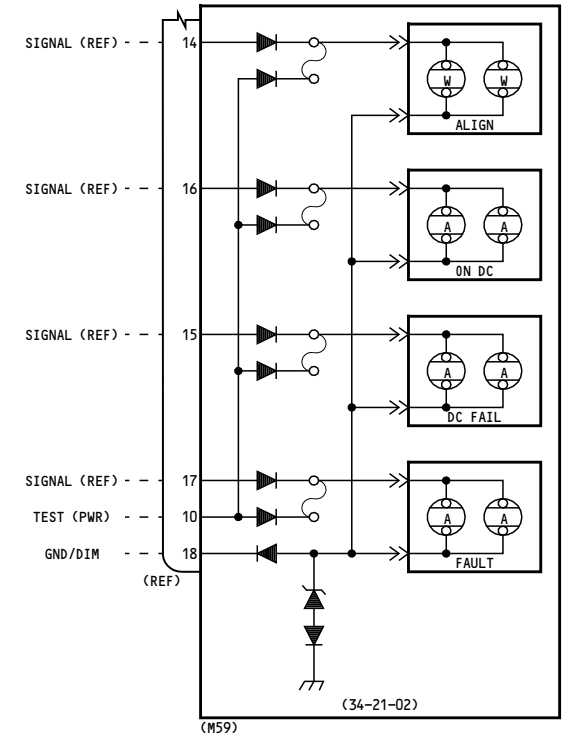
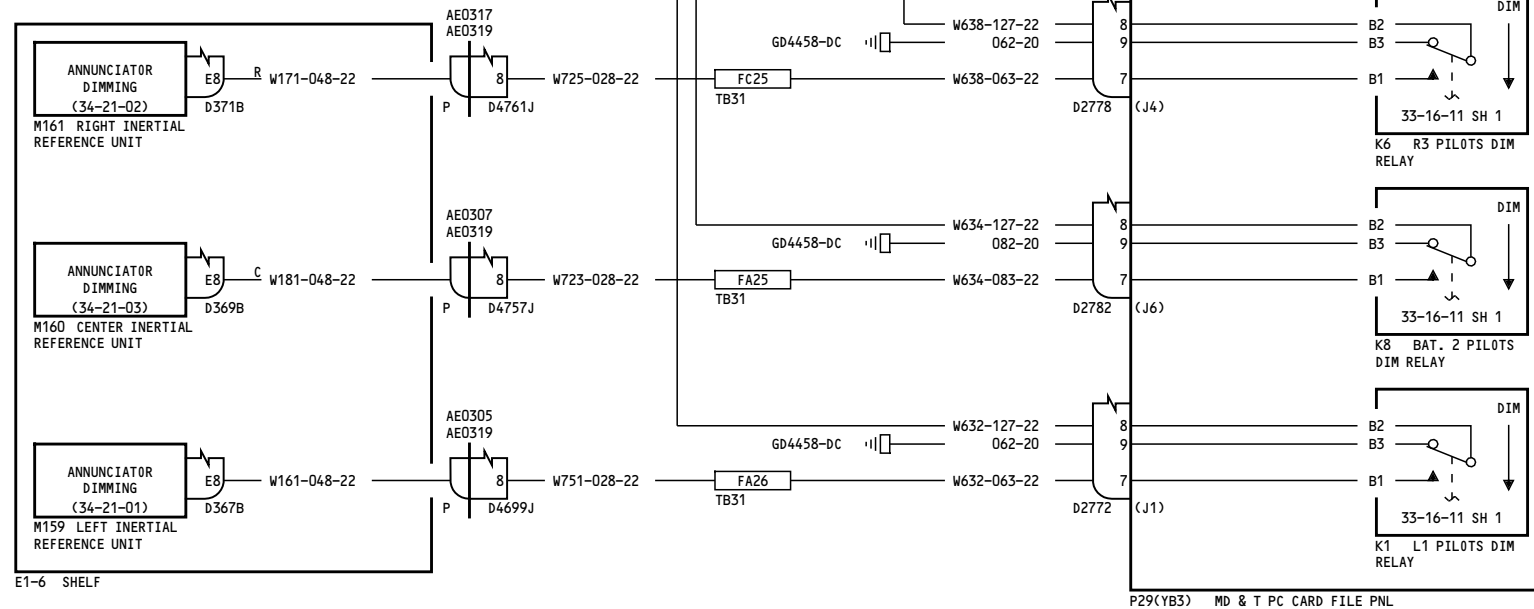
NOTES: TYPICAL ANNUNCIATOR CONFIGURATION EXCEPT WHERE SHOWN OTHERWISE (SHOWN FOR REFERENCE ONLY):

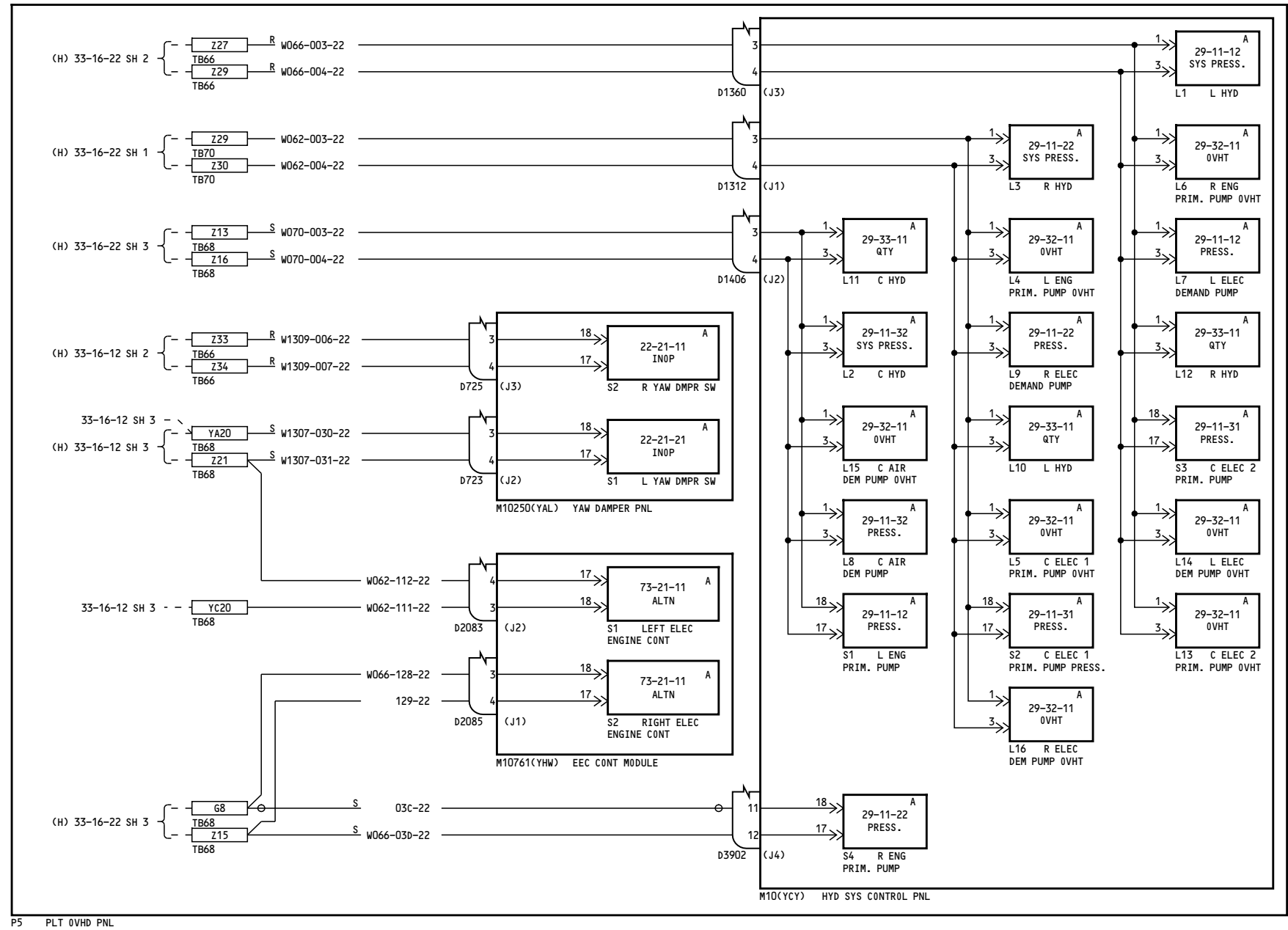




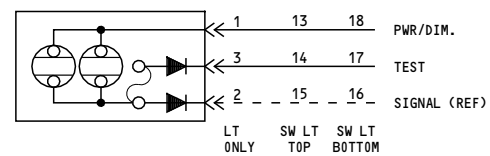


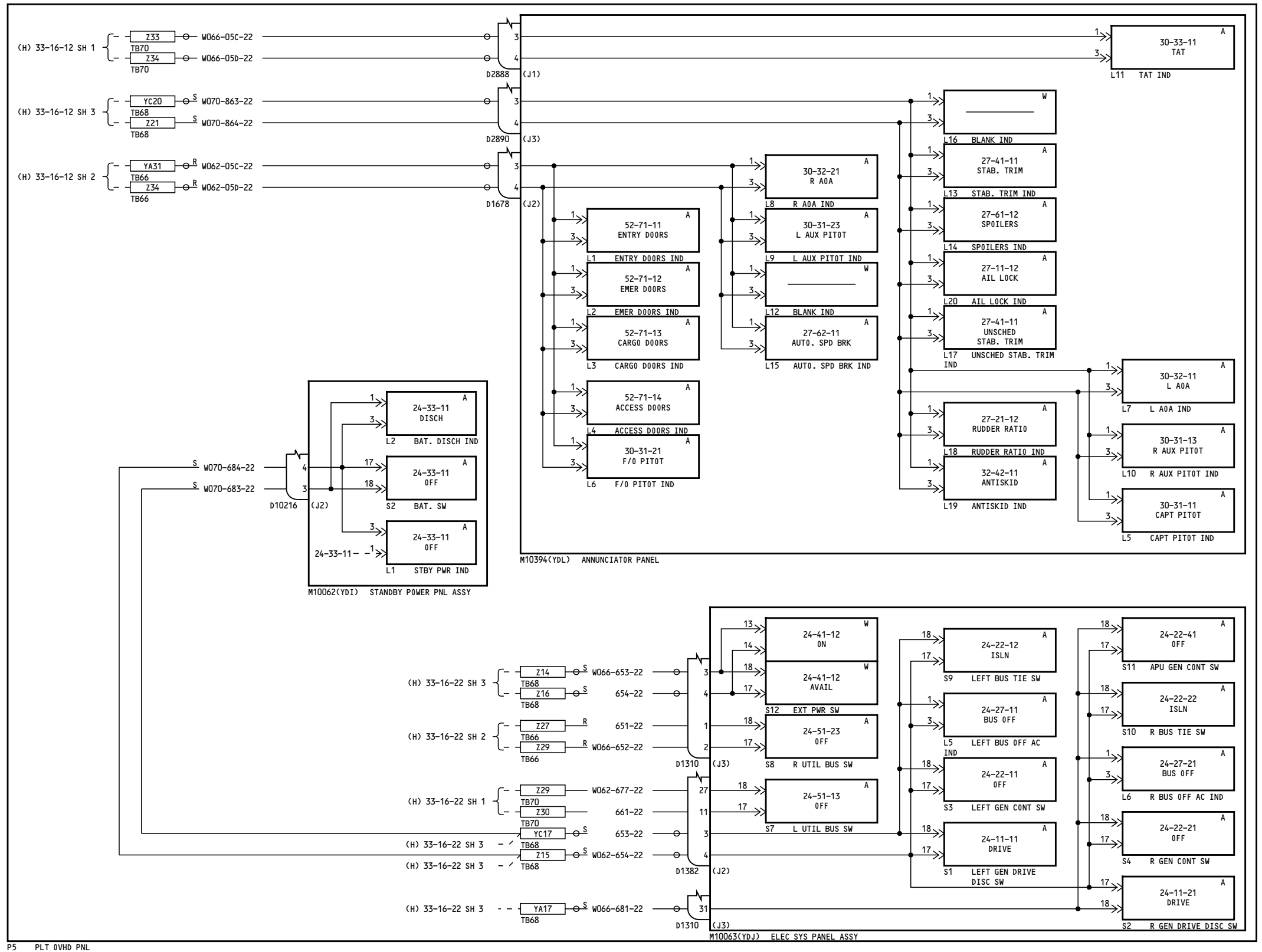
NOTES: TYPICAL ANNUNCIATOR CONFIGURATION FOR EACH INERTIAL REFERENCE SYSTEM IN M59 PNL (P5) (SHOWN FOR REFERENCE ONLY)



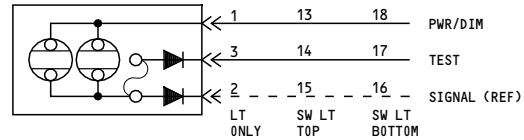


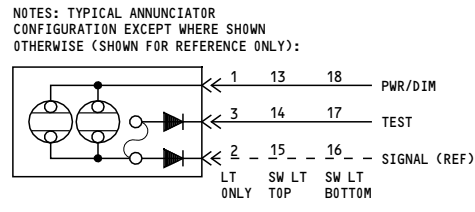
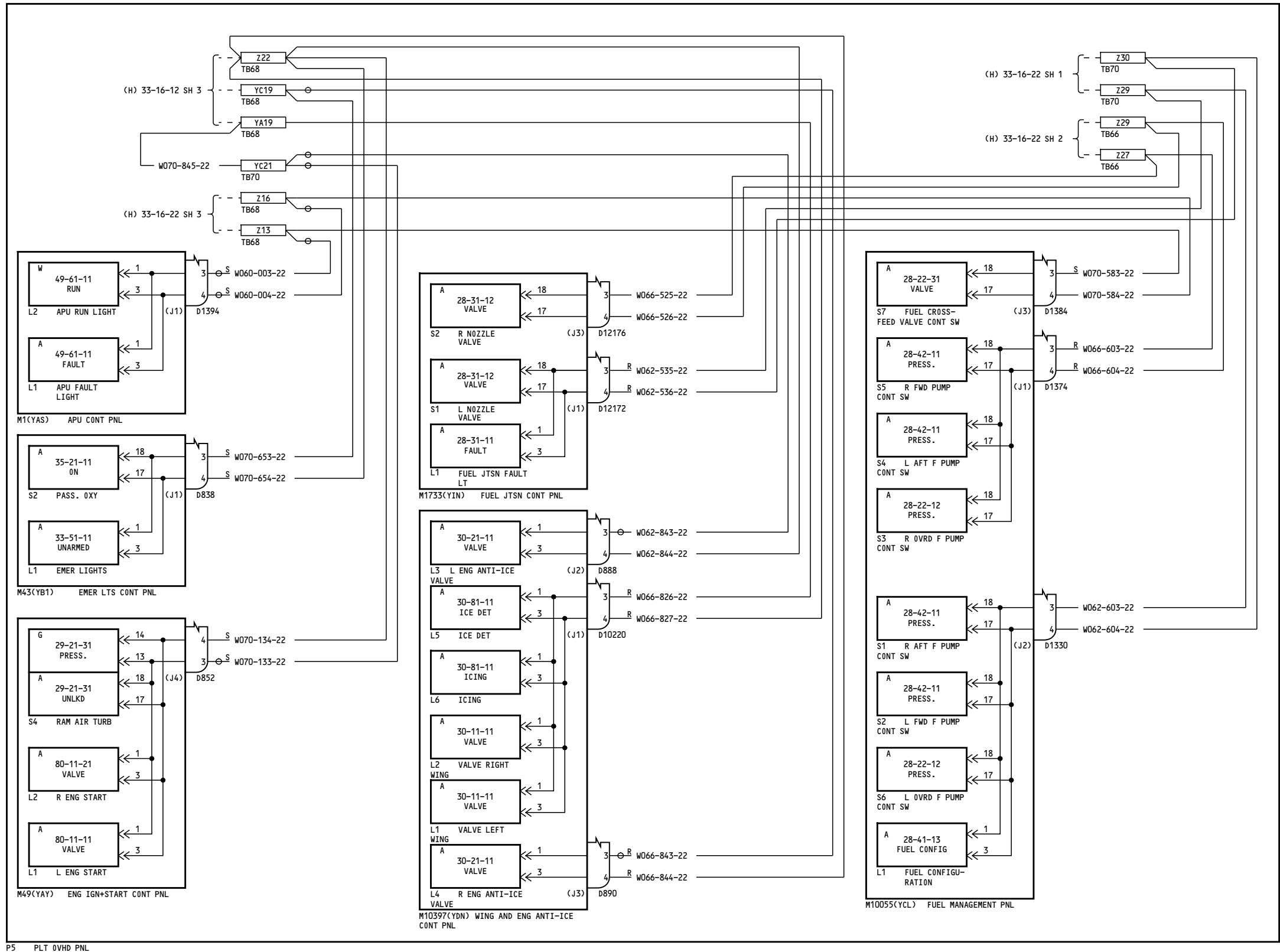
NOTES: TYPICAL ANNUNCIATOR
CONFIGURATION EXCEPT WHERE SHOWN
OTHERWISE (SHOWN FOR REFERENCE ONLY):





NOTES:
 TYPICAL ANNUNCIATOR
 CONFIGURATION EXCEPT
 WHERE SHOWN OTHERWISE
 (SHOWN FOR REFERENCE ONLY):





167

MASTER DIM & TEST-PILOTS OVERHEAD & OVERHEAD CB PANEL

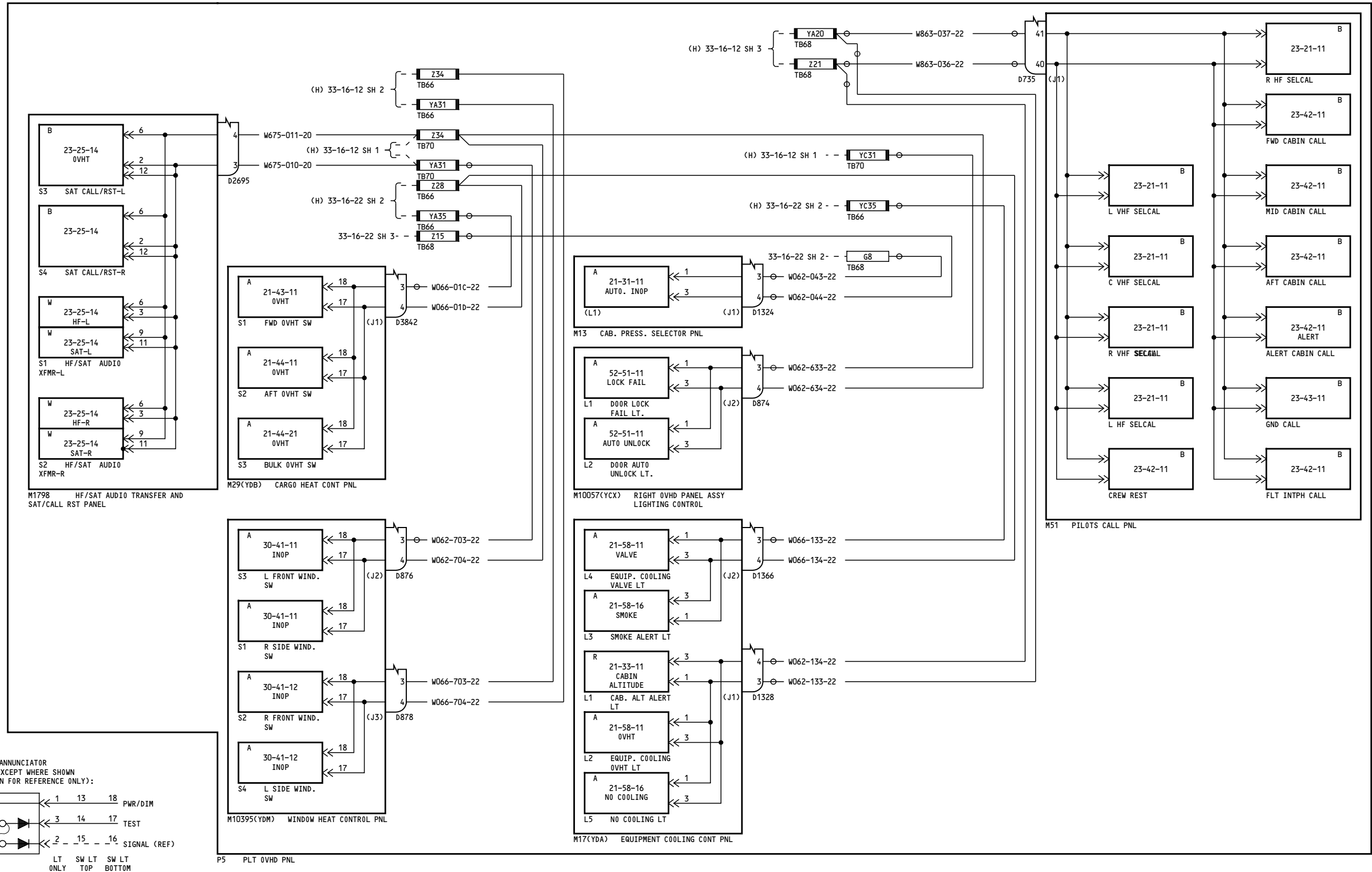
D280T132

33-16-17

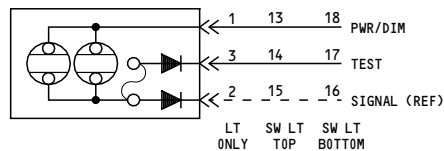
Page 6.3A
Sheet 4
Mar 09/2006

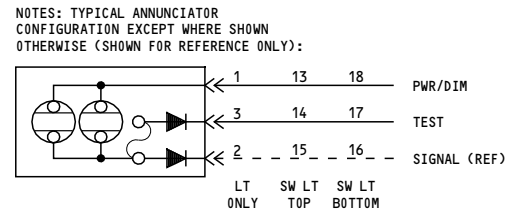
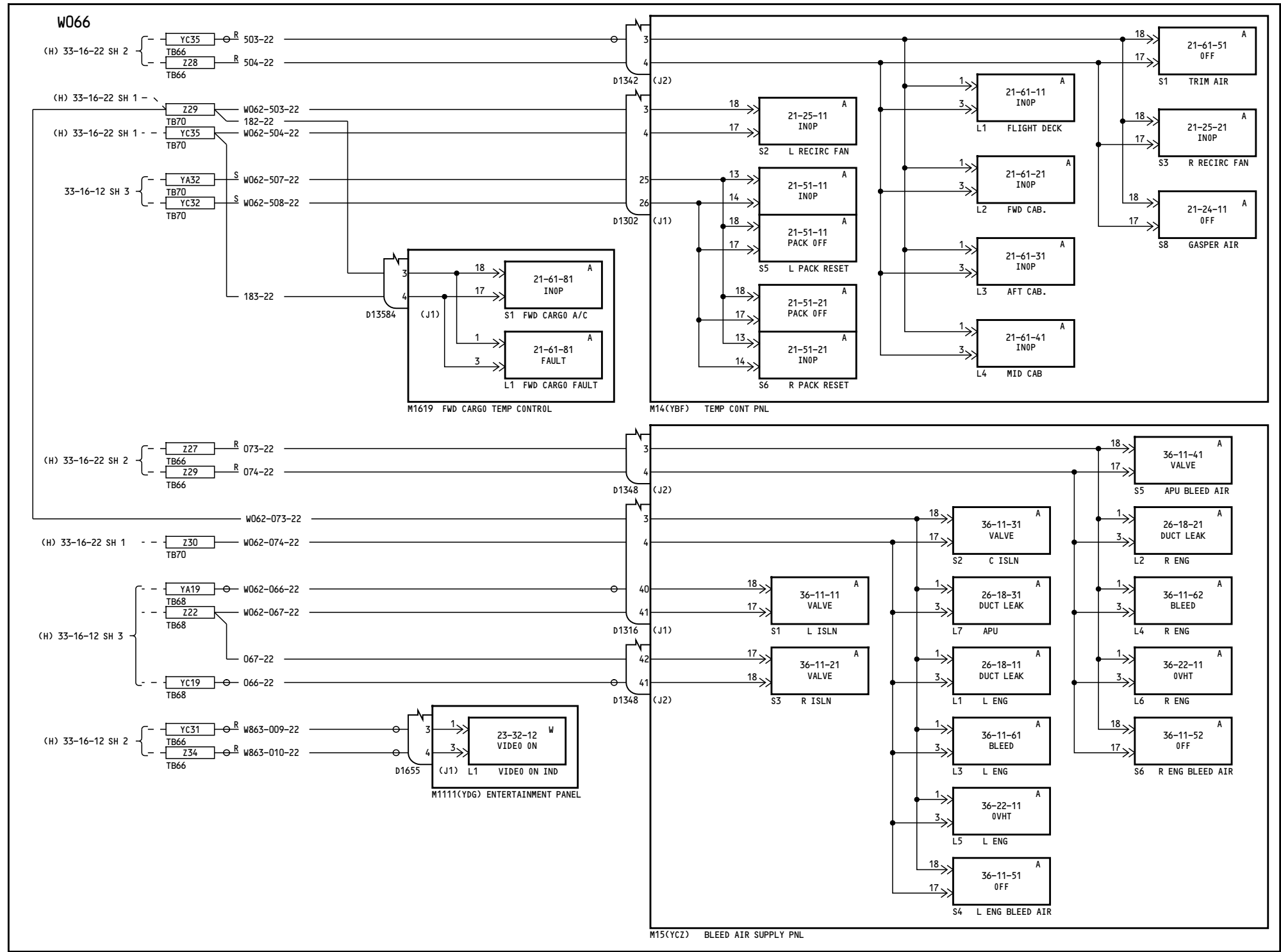
33-16-17

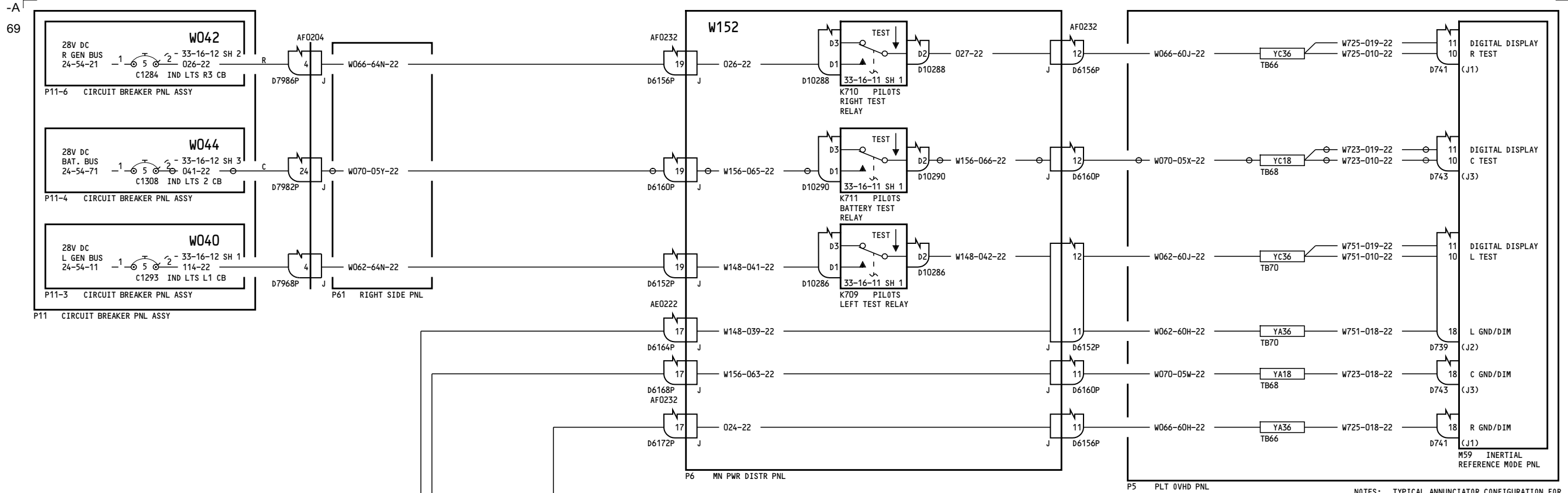
Page 6.3A
Sheet 4
Mar 09/2006



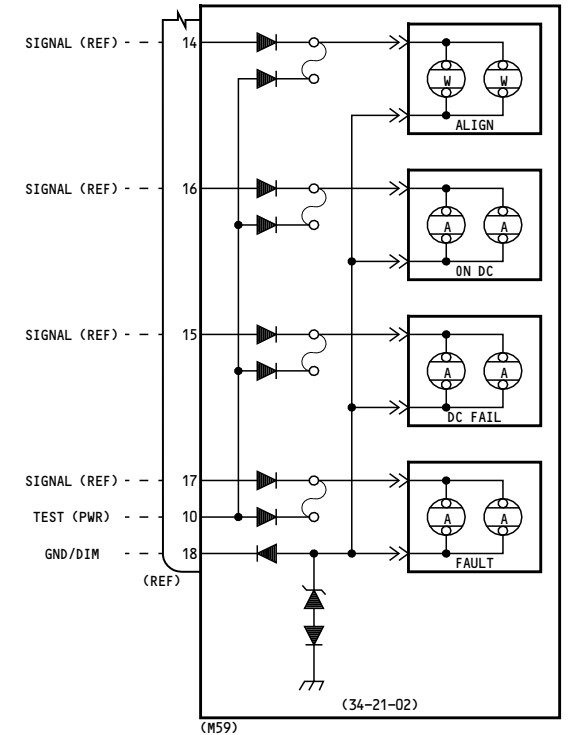
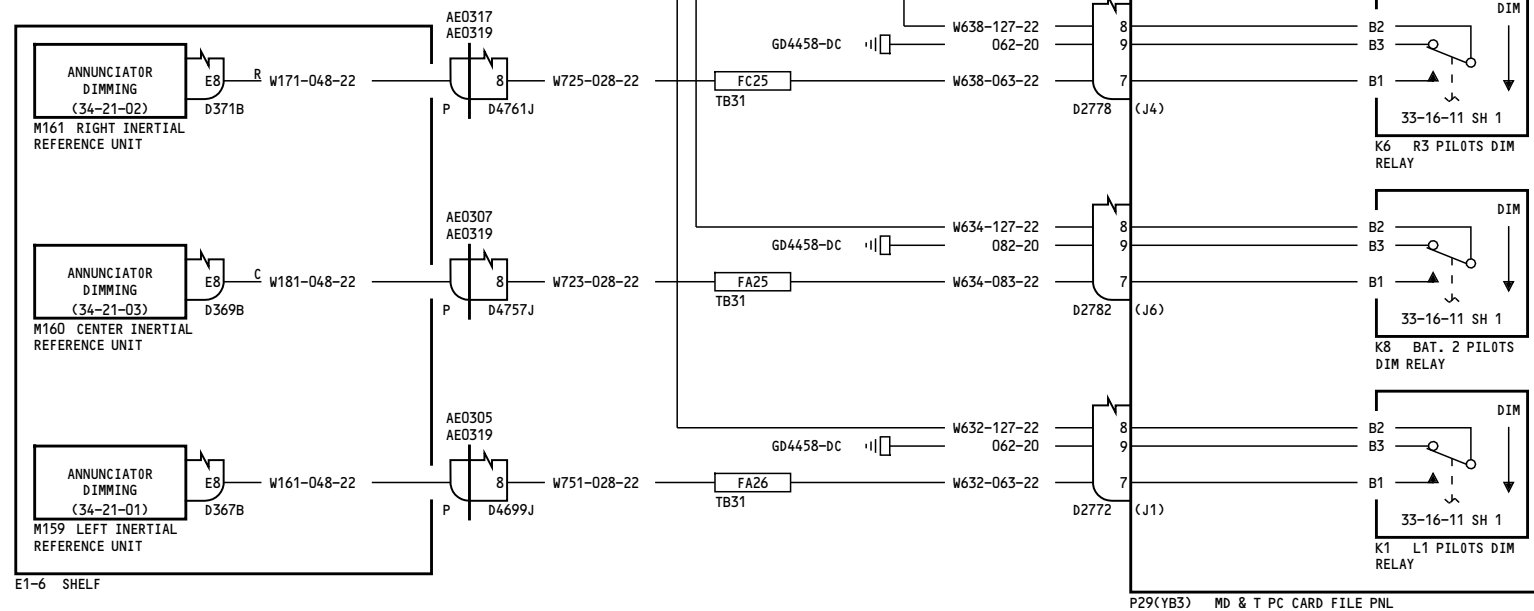
NOTES: TYPICAL ANNUNCIATOR CONFIGURATION EXCEPT WHERE SHOWN OTHERWISE (SHOWN FOR REFERENCE ONLY):

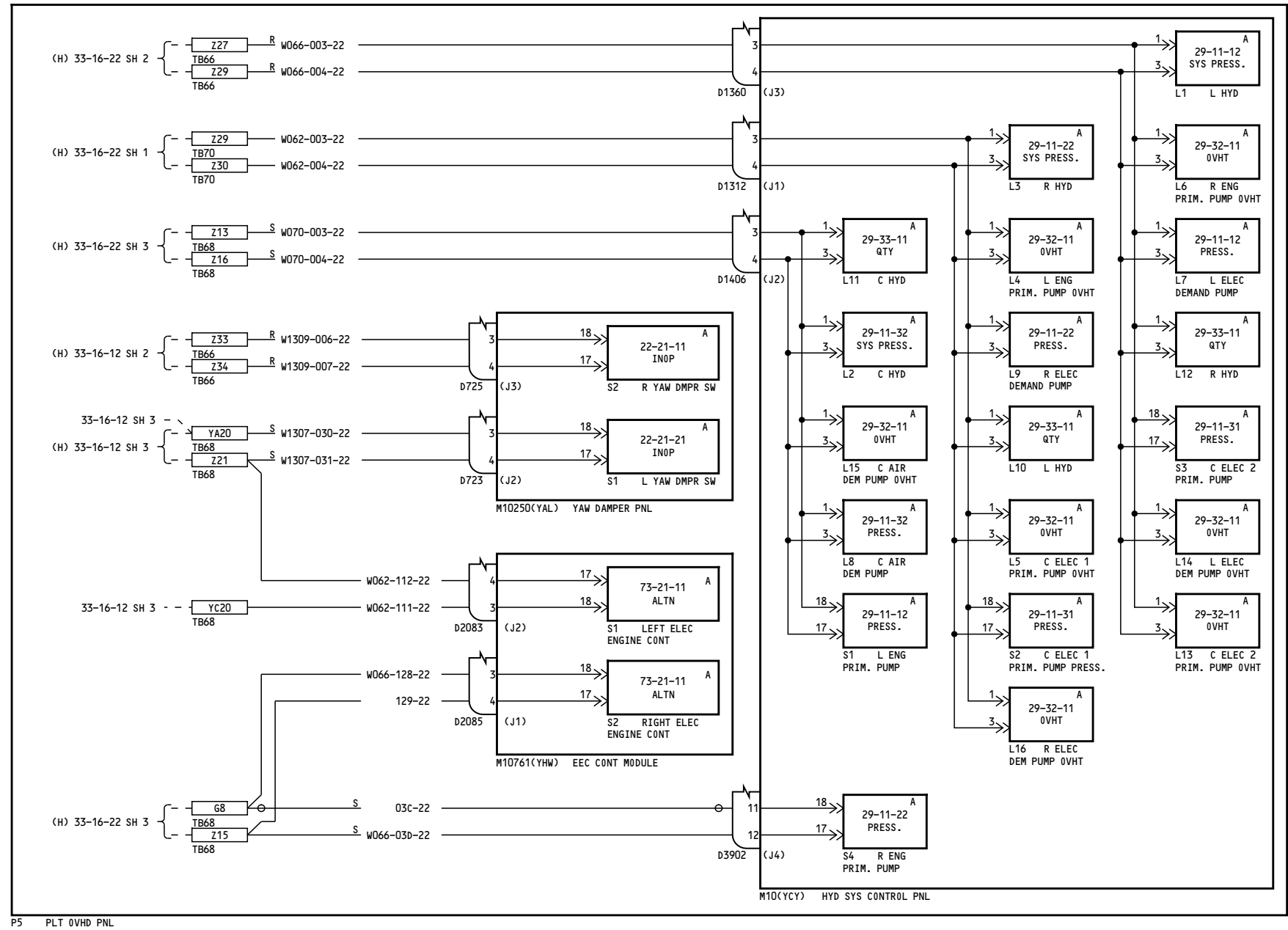




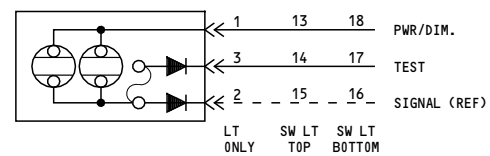


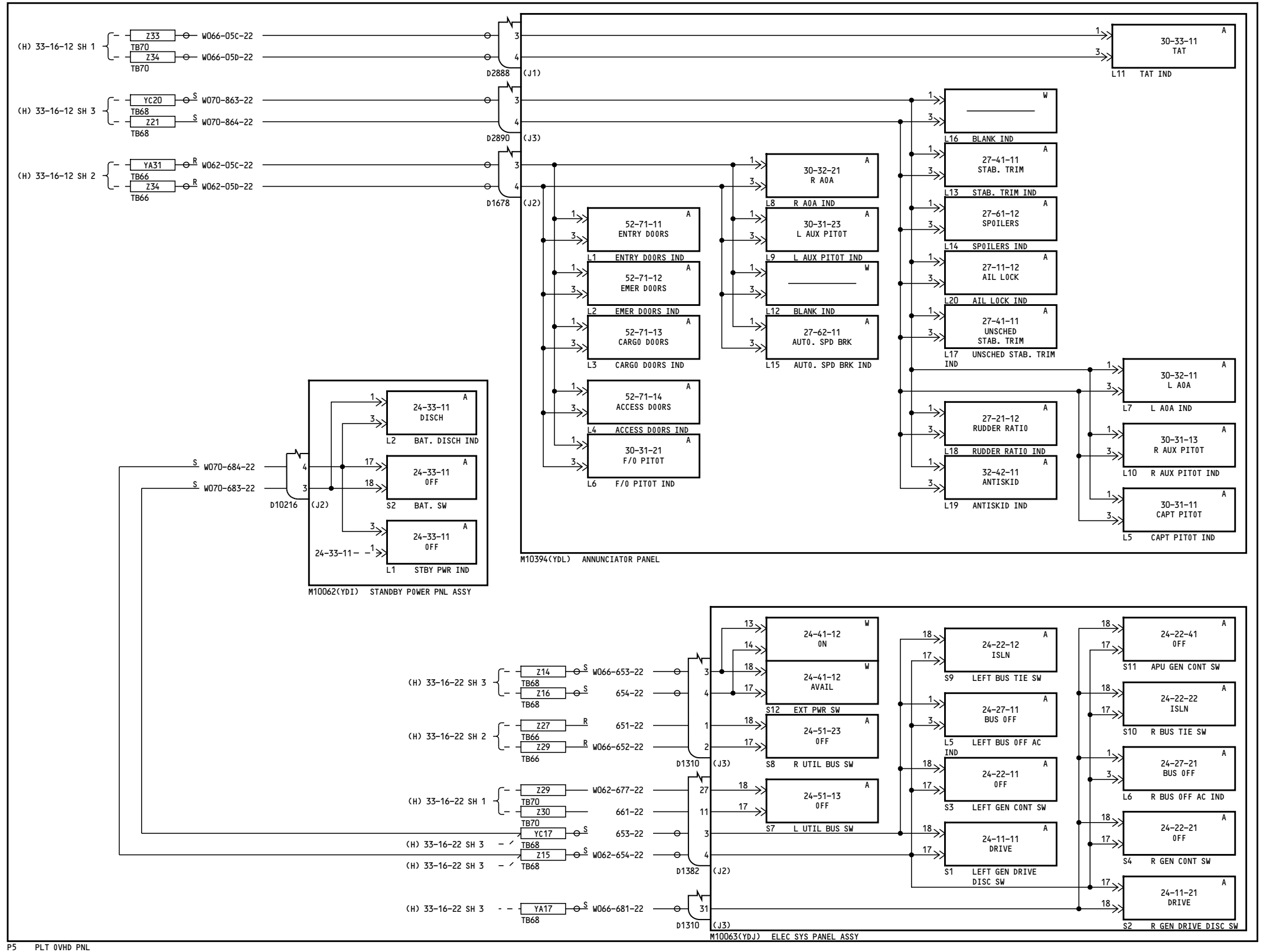
NOTES: TYPICAL ANNUNCIATOR CONFIGURATION FOR EACH INERTIAL REFERENCE SYSTEM IN M59 PNL (P5) (SHOWN FOR REFERENCE ONLY)



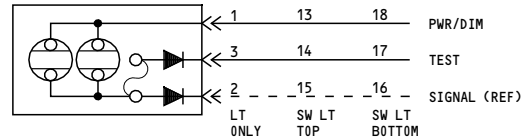


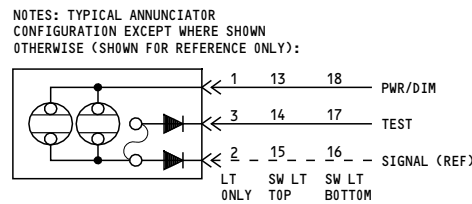
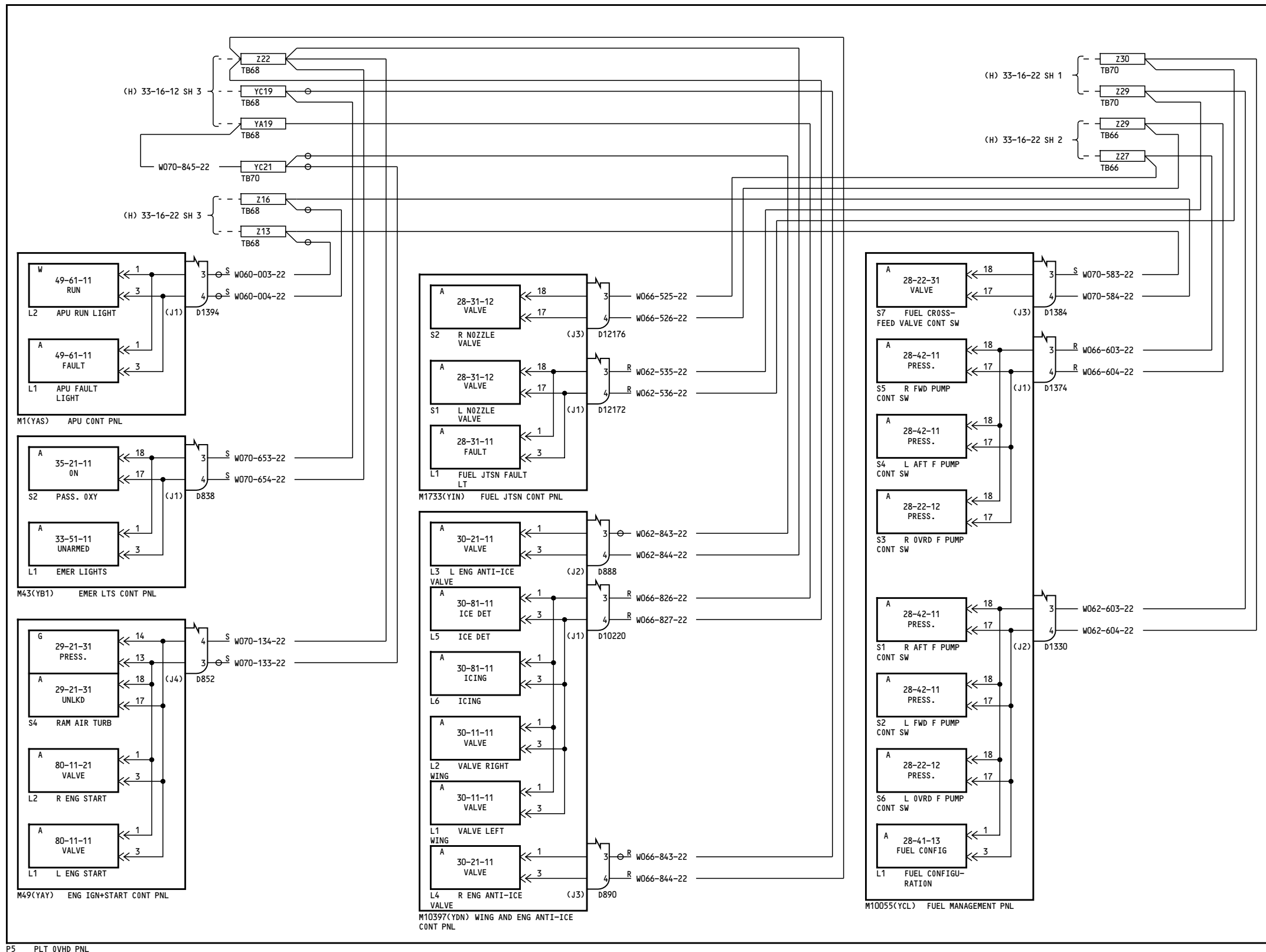
NOTES: TYPICAL ANNUNCIATOR CONFIGURATION EXCEPT WHERE SHOWN OTHERWISE (SHOWN FOR REFERENCE ONLY):





NOTES:
TYPICAL ANNUNCIATOR
CONFIGURATION EXCEPT
WHERE SHOWN OTHERWISE
(SHOWN FOR REFERENCE ONLY):





157

MASTER DIM & TEST-PILOTS OVERHEAD & OVERHEAD CB PANEL

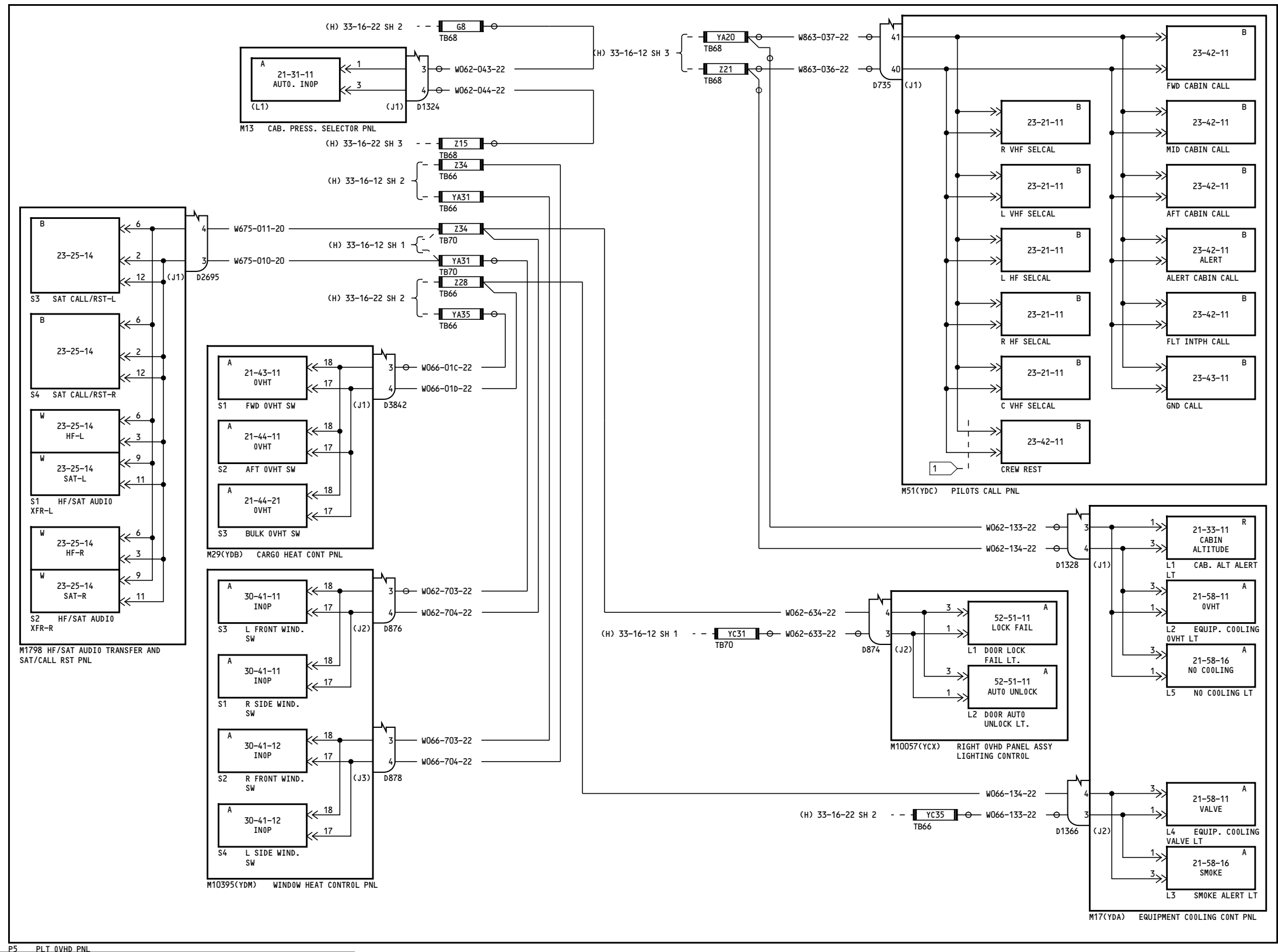
D280T132

33-16-17

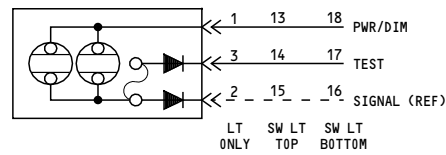
Page 7.1A
Sheet 4
Mar 09/2006

33-16-17

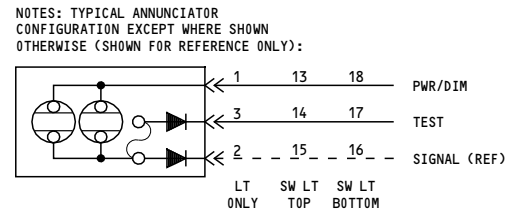
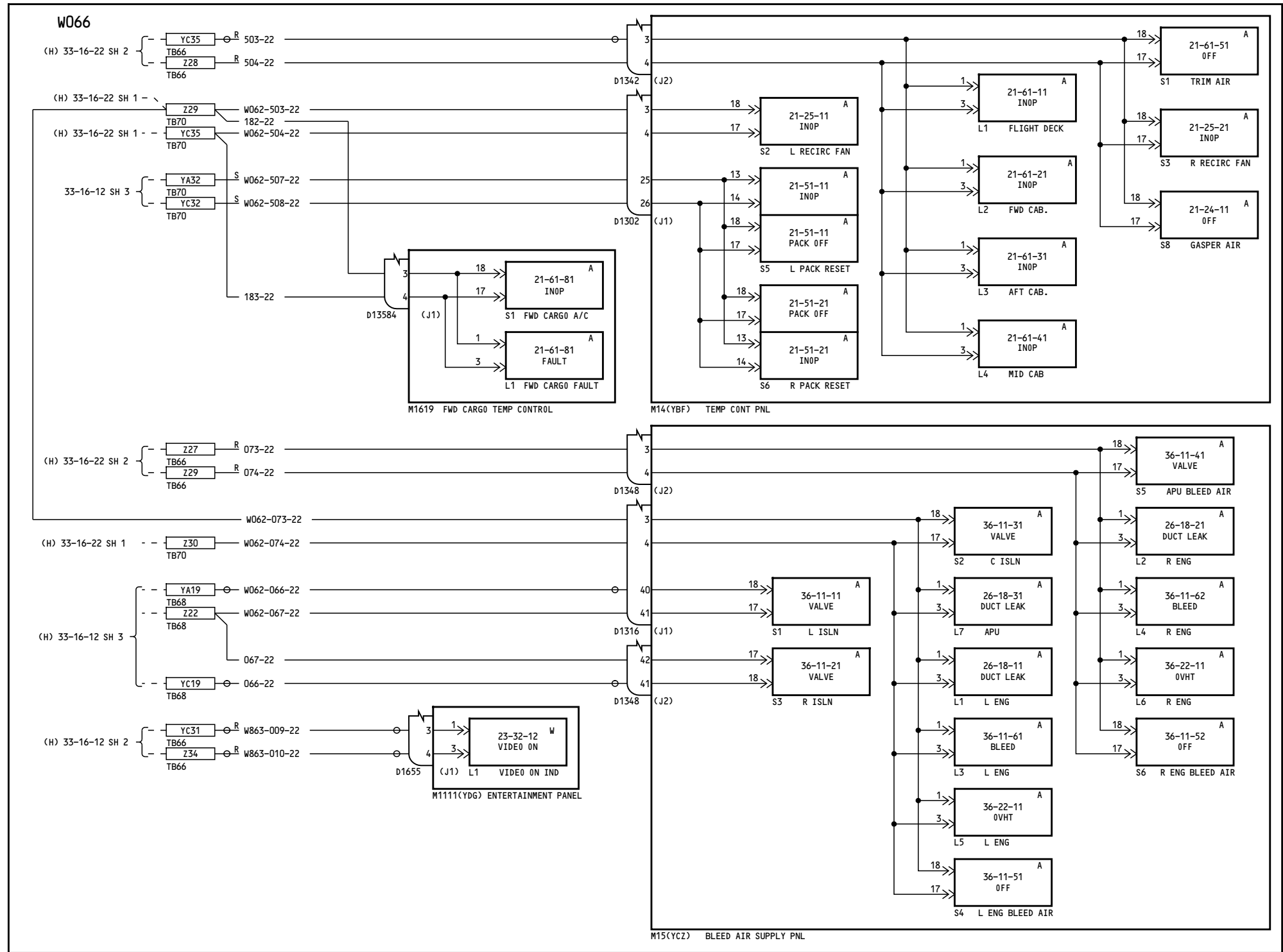
Page 7.1A
Sheet 4
Mar 09/2006

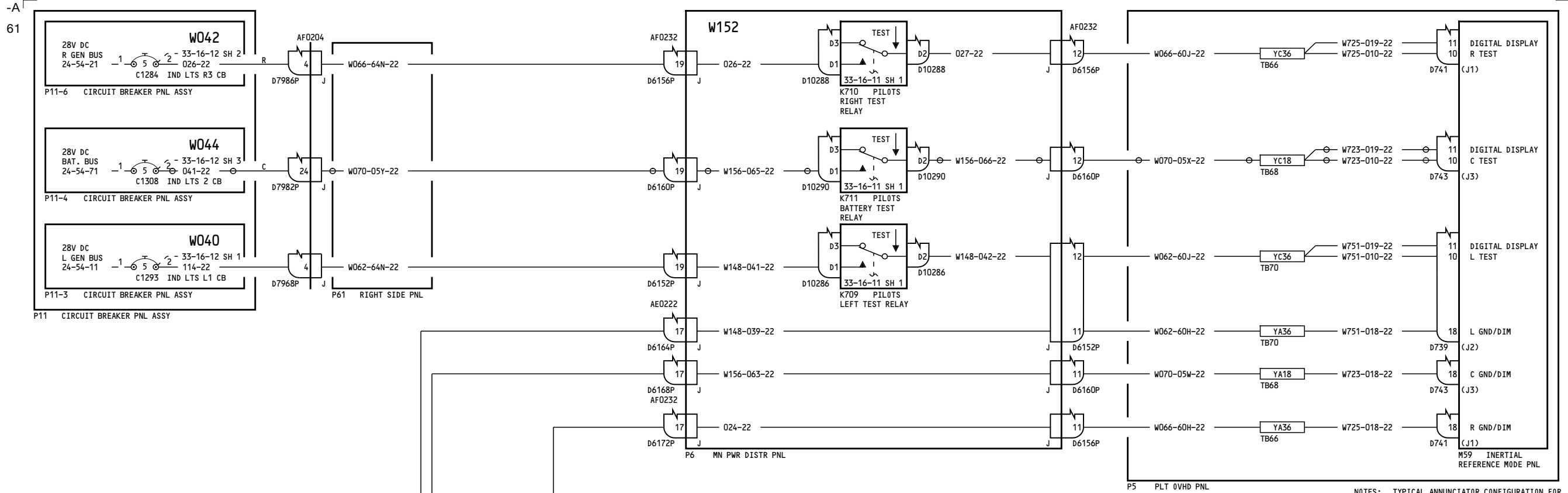


NOTES: TYPICAL ANNUNCIATOR CONFIGURATION EXCEPT WHERE SHOWN OTHERWISE (SHOWN FOR REFERENCE ONLY):

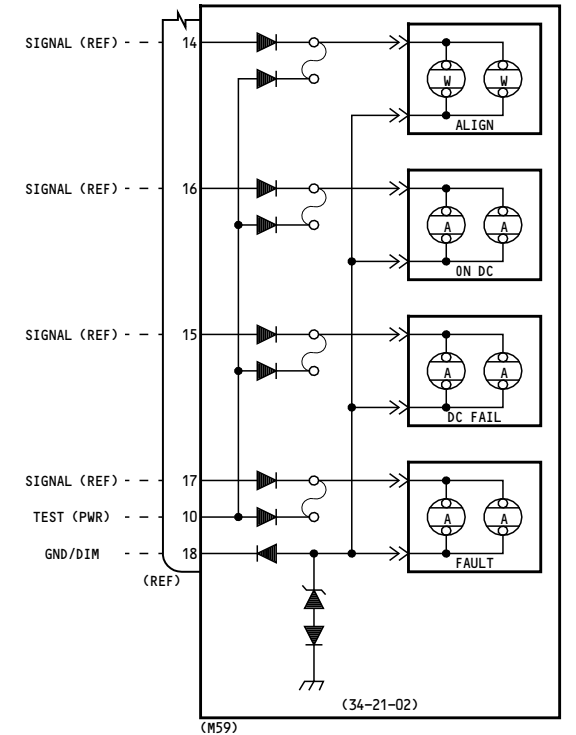
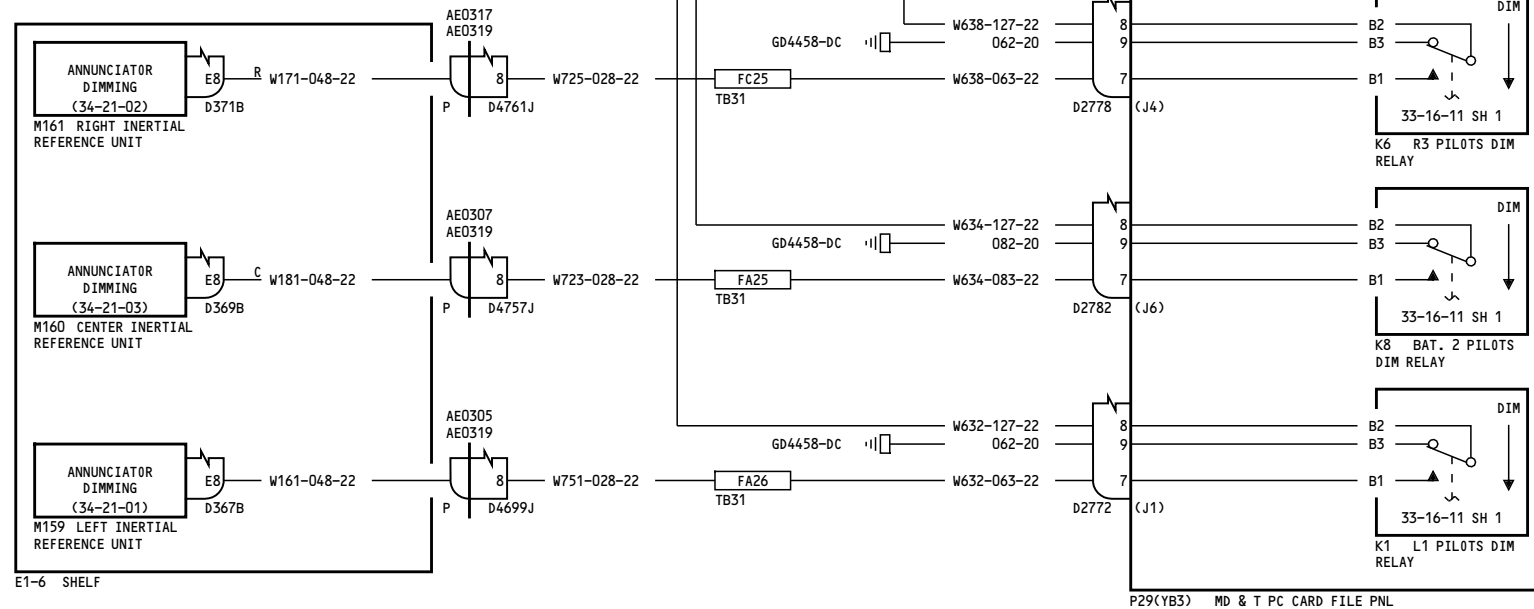


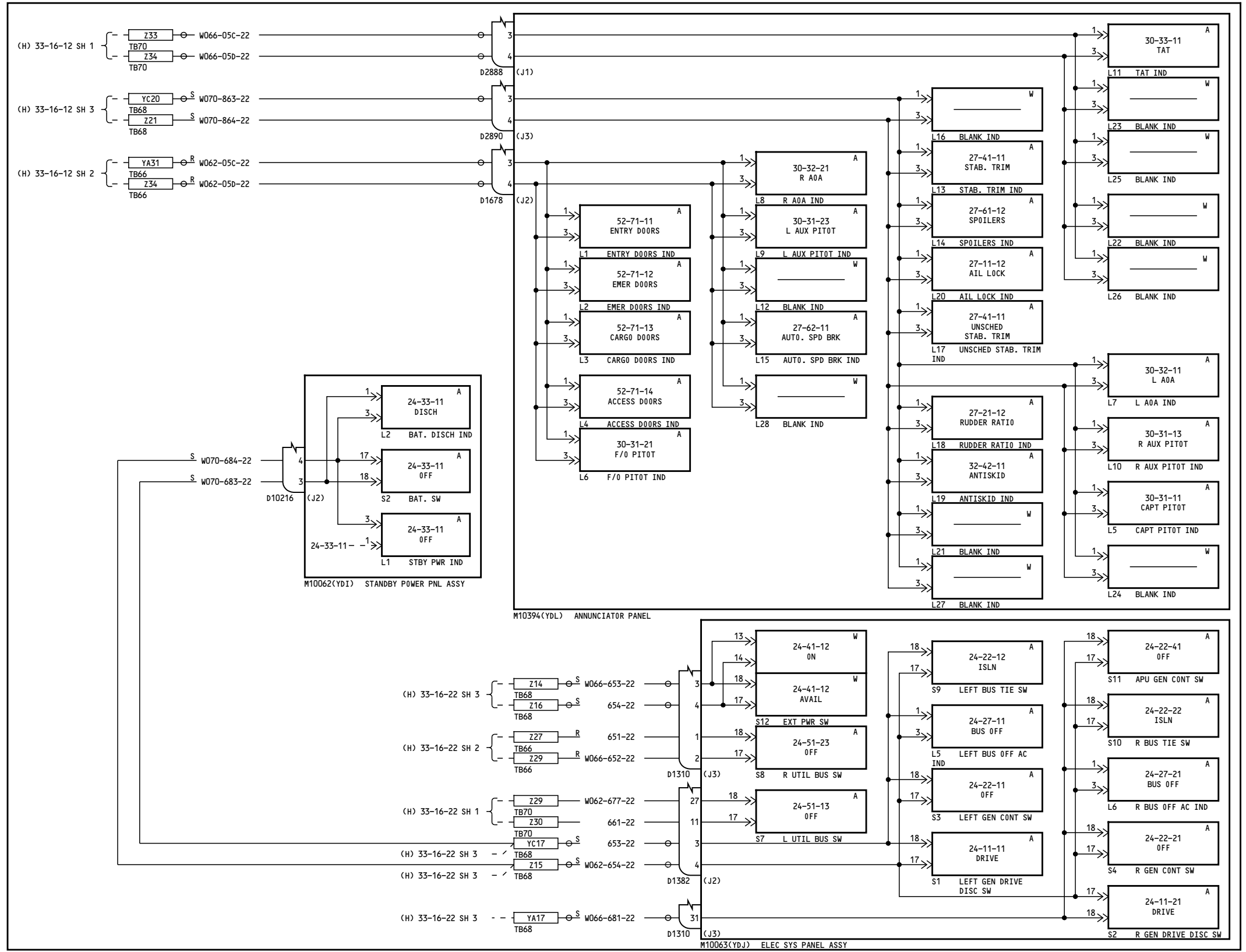
NOTES:
1 VN167-VN170 (166-166)



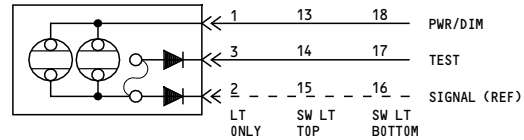


NOTES: TYPICAL ANNUNCIATOR CONFIGURATION FOR EACH INERTIAL REFERENCE SYSTEM IN M59 PNL (P5) (SHOWN FOR REFERENCE ONLY)





NOTES:
 TYPICAL ANNUNCIATOR
 CONFIGURATION EXCEPT
 WHERE SHOWN OTHERWISE
 (SHOWN FOR REFERENCE ONLY):



162-165

MASTER DIM & TEST-PILOTS OVERHEAD & OVERHEAD CB PANEL

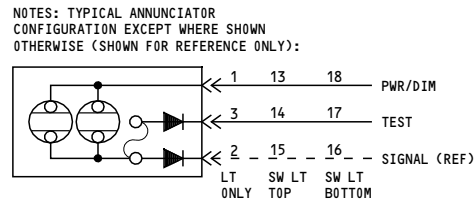
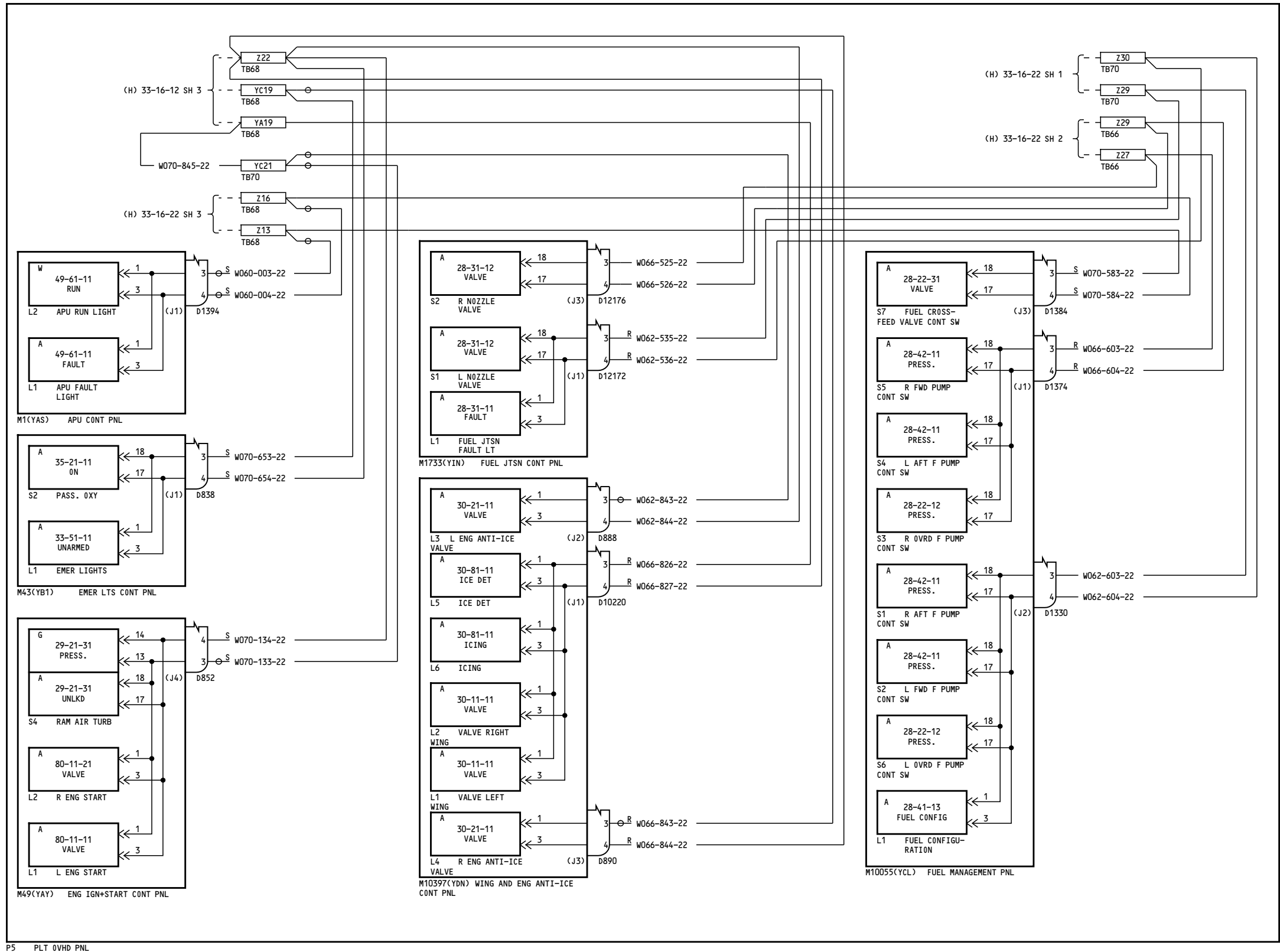
33-16-17

Page 8A
Sheet 3
Mar 09/2006

D280T132

33-16-17

Page 8A
Sheet 3
Mar 09/2006



162-165

MASTER DIM & TEST-PILOTS OVERHEAD & OVERHEAD CB PANEL

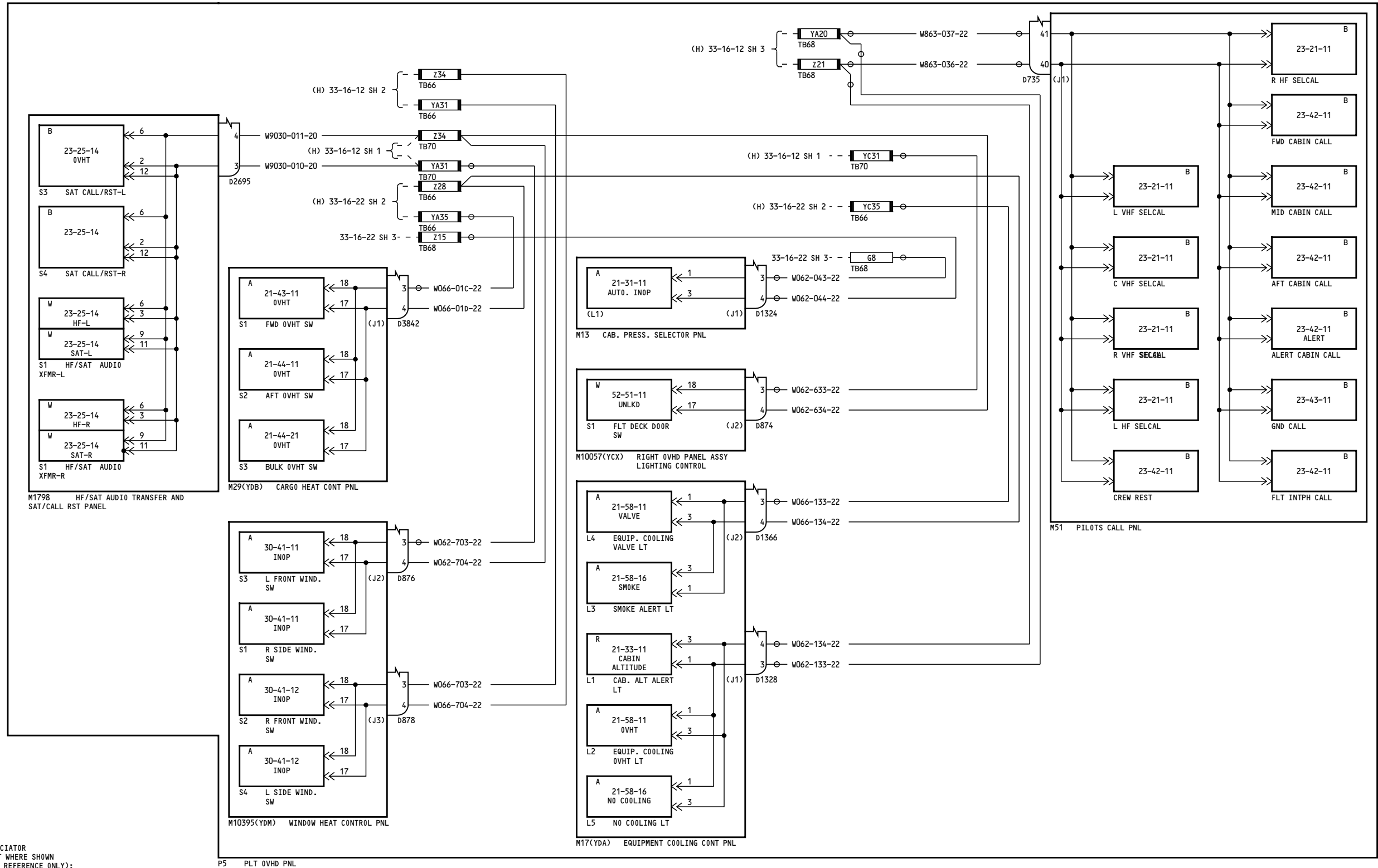
D280T132

33-16-17

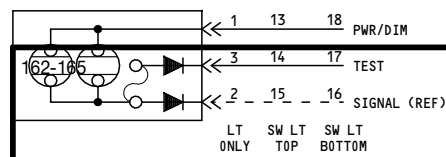
Page 8A
 Sheet 4
 Mar 09/2006

33-16-17

Page 8A
 Sheet 4
 Mar 09/2006



NOTES: TYPICAL ANNUNCIATOR CONFIGURATION EXCEPT WHERE SHOWN OTHERWISE (SHOWN FOR REFERENCE ONLY):



MASTER DIM & TEST-PILOTS OVERHEAD & OVERHEAD CB PANEL

D280T132

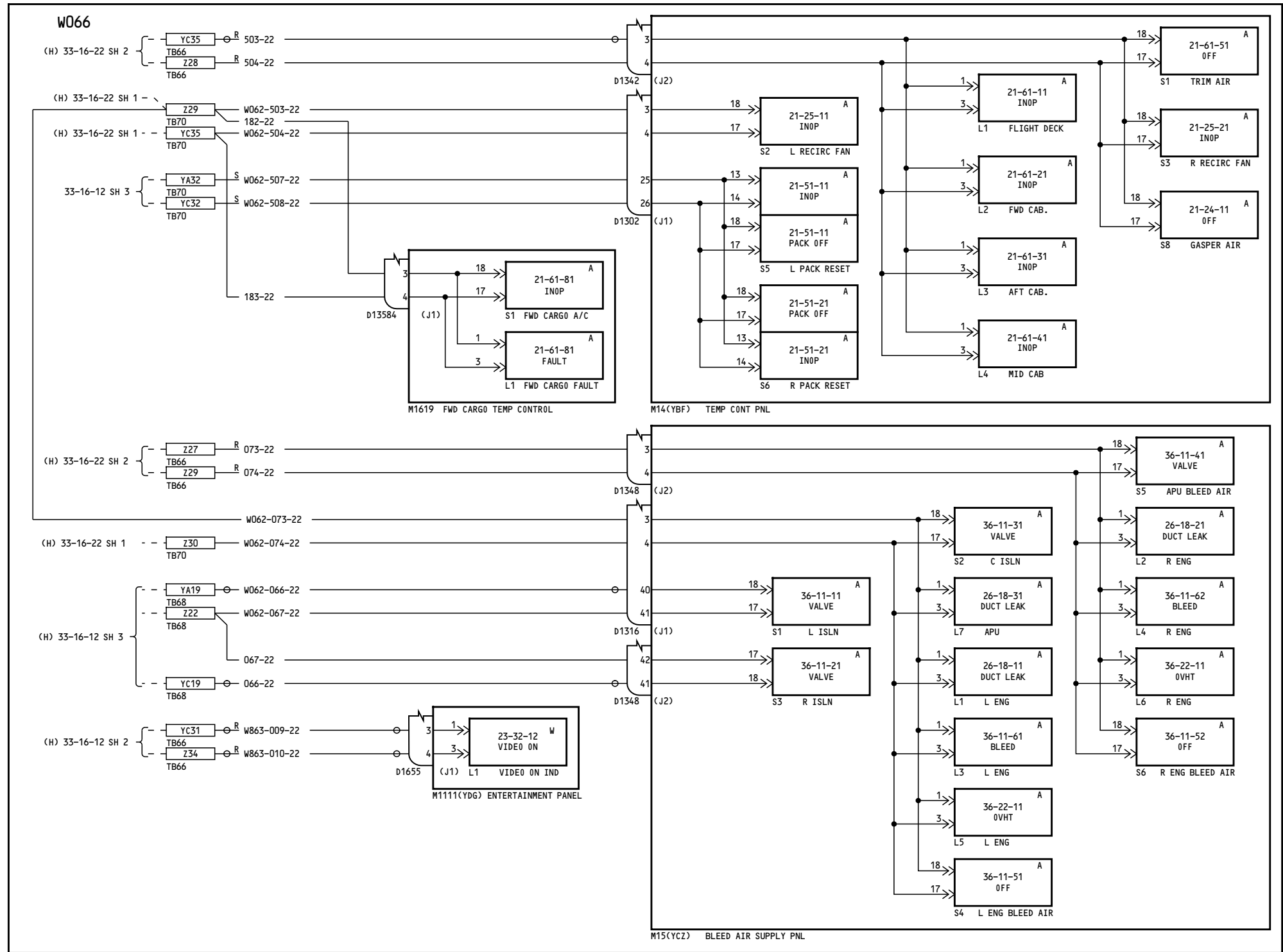
33-16-17

Page 8A
Sheet 5
Mar 09/2006

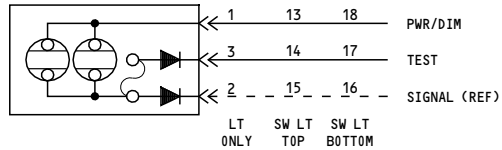
Incorporates
MTO 230592

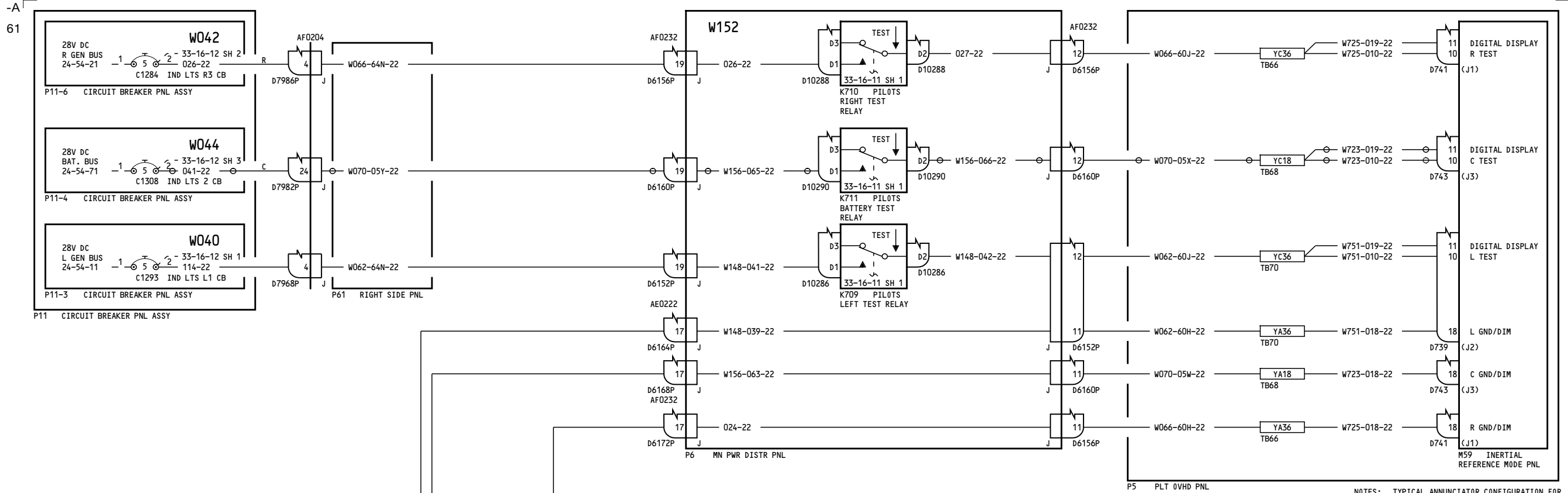
33-16-17

Page 8A
Sheet 5
Mar 09/2006

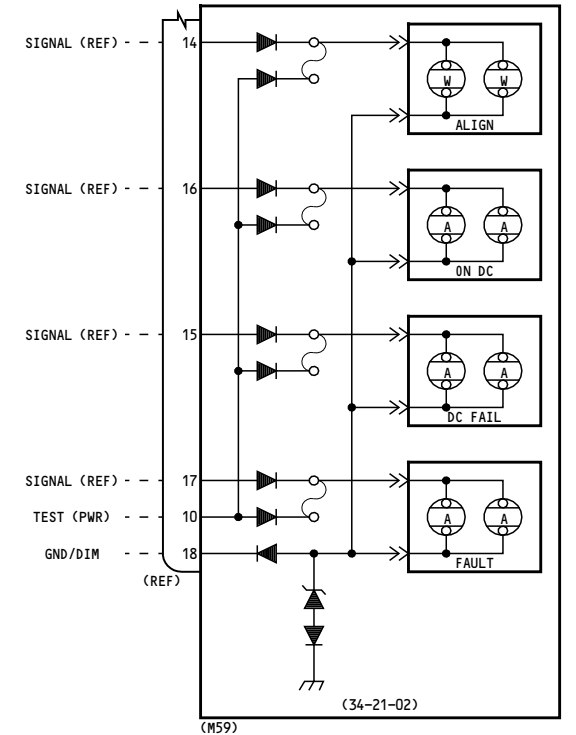
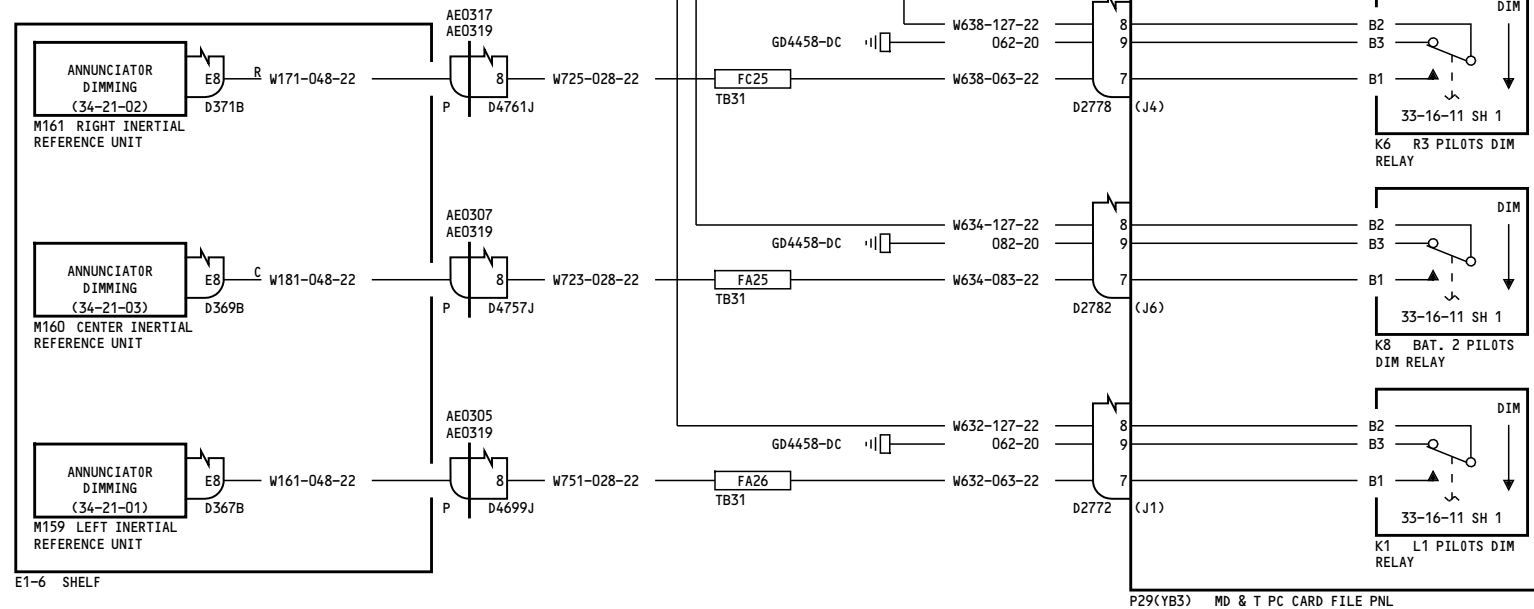


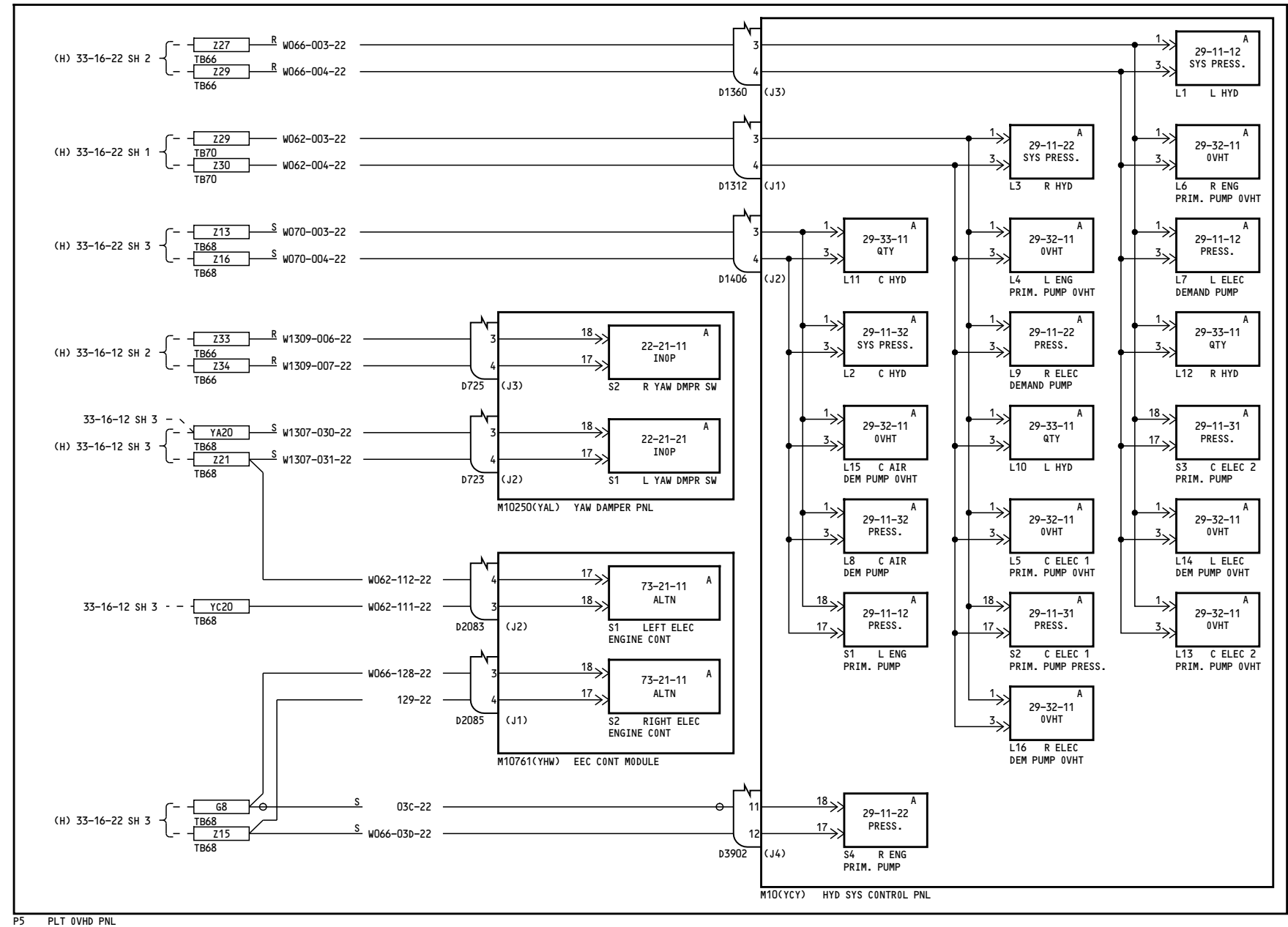
NOTES: TYPICAL ANNUNCIATOR CONFIGURATION EXCEPT WHERE SHOWN OTHERWISE (SHOWN FOR REFERENCE ONLY):



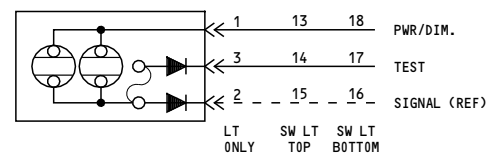


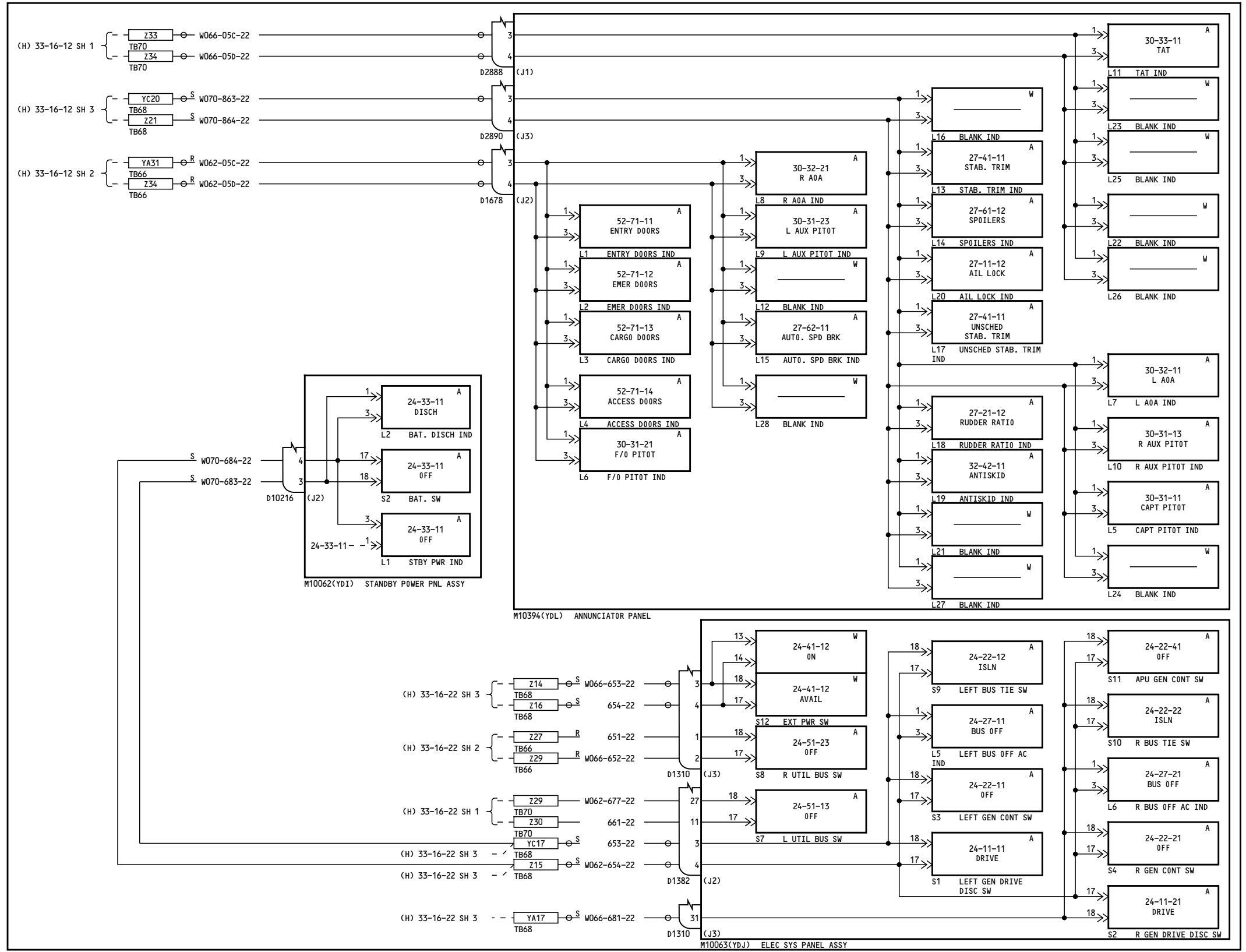
NOTES: TYPICAL ANNUNCIATOR CONFIGURATION FOR EACH INERTIAL REFERENCE SYSTEM IN M59 PNL (P5) (SHOWN FOR REFERENCE ONLY)



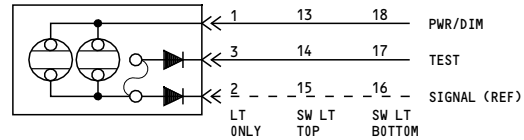


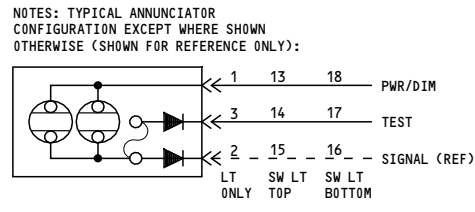
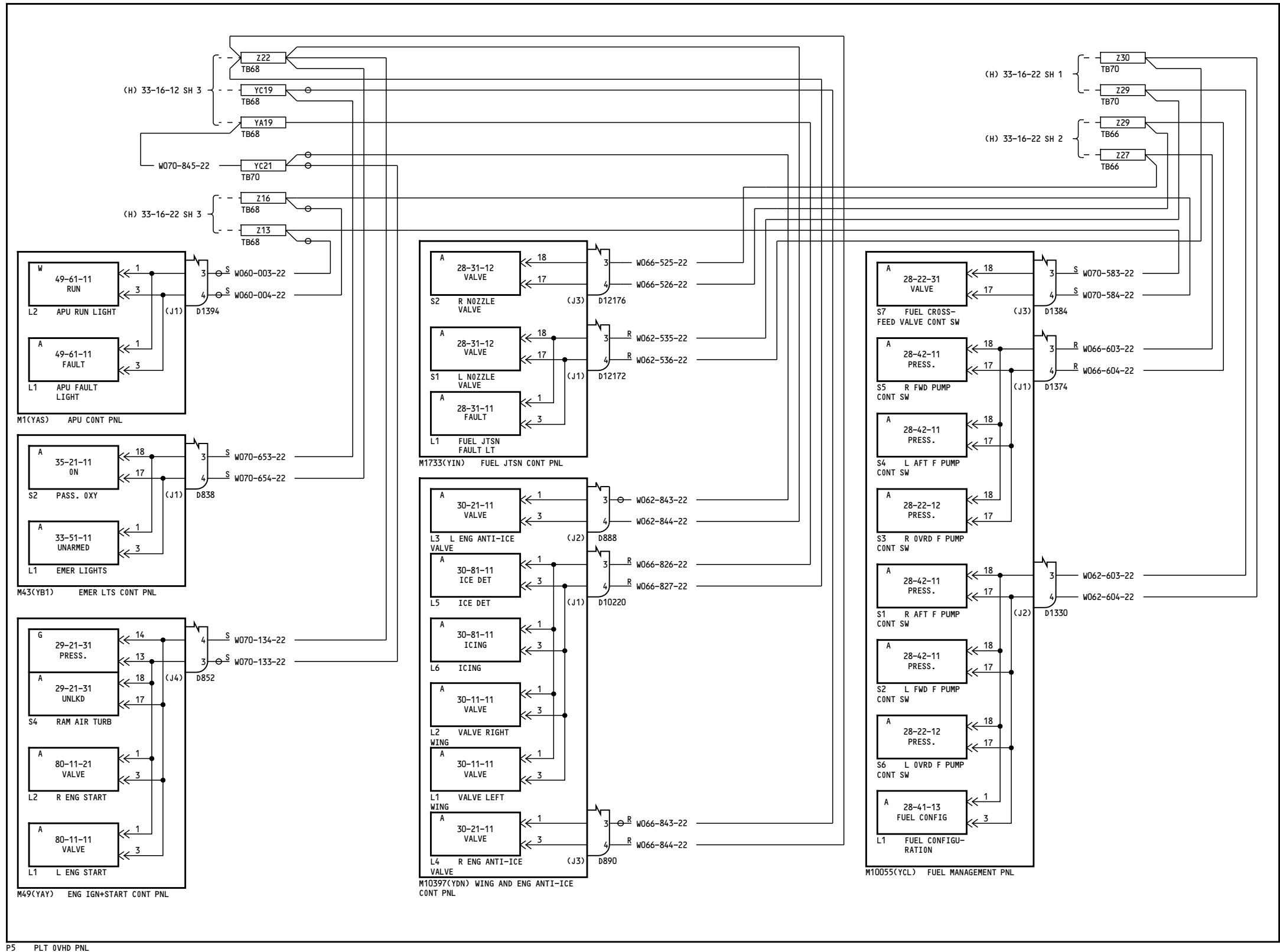
NOTES: TYPICAL ANNUNCIATOR
CONFIGURATION EXCEPT WHERE SHOWN
OTHERWISE (SHOWN FOR REFERENCE ONLY):





NOTES:
 TYPICAL ANNUNCIATOR
 CONFIGURATION EXCEPT
 WHERE SHOWN OTHERWISE
 (SHOWN FOR REFERENCE ONLY):





162

MASTER DIM & TEST-PILOTS OVERHEAD & OVERHEAD CB PANEL

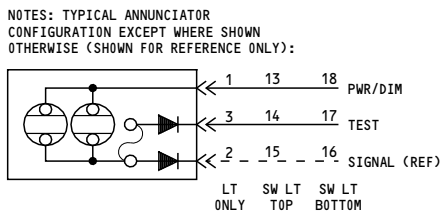
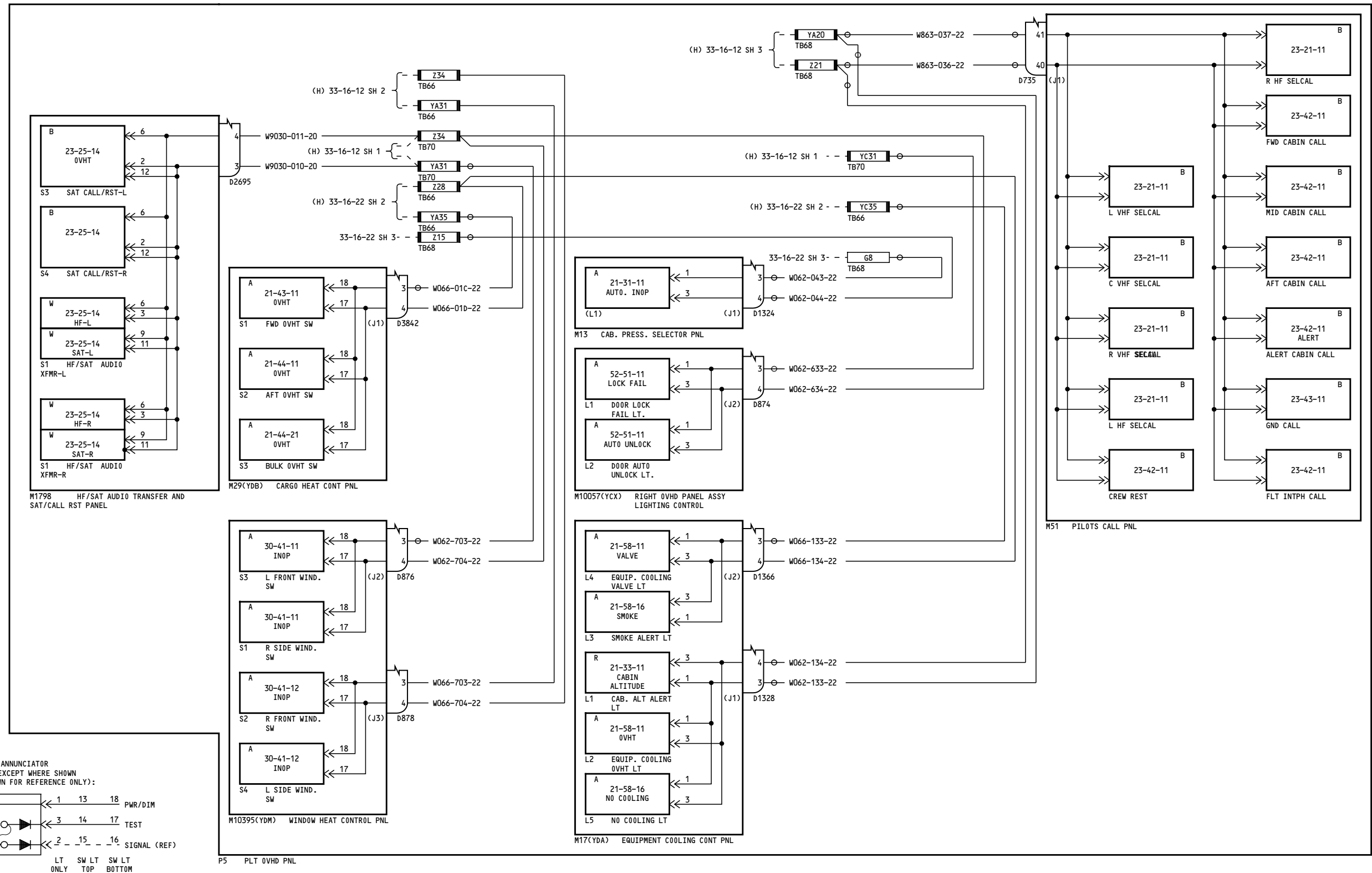
D280T132

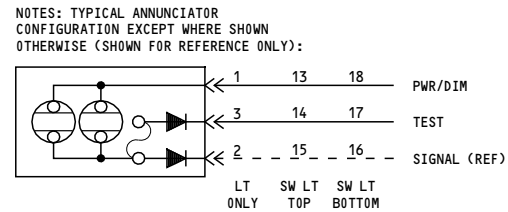
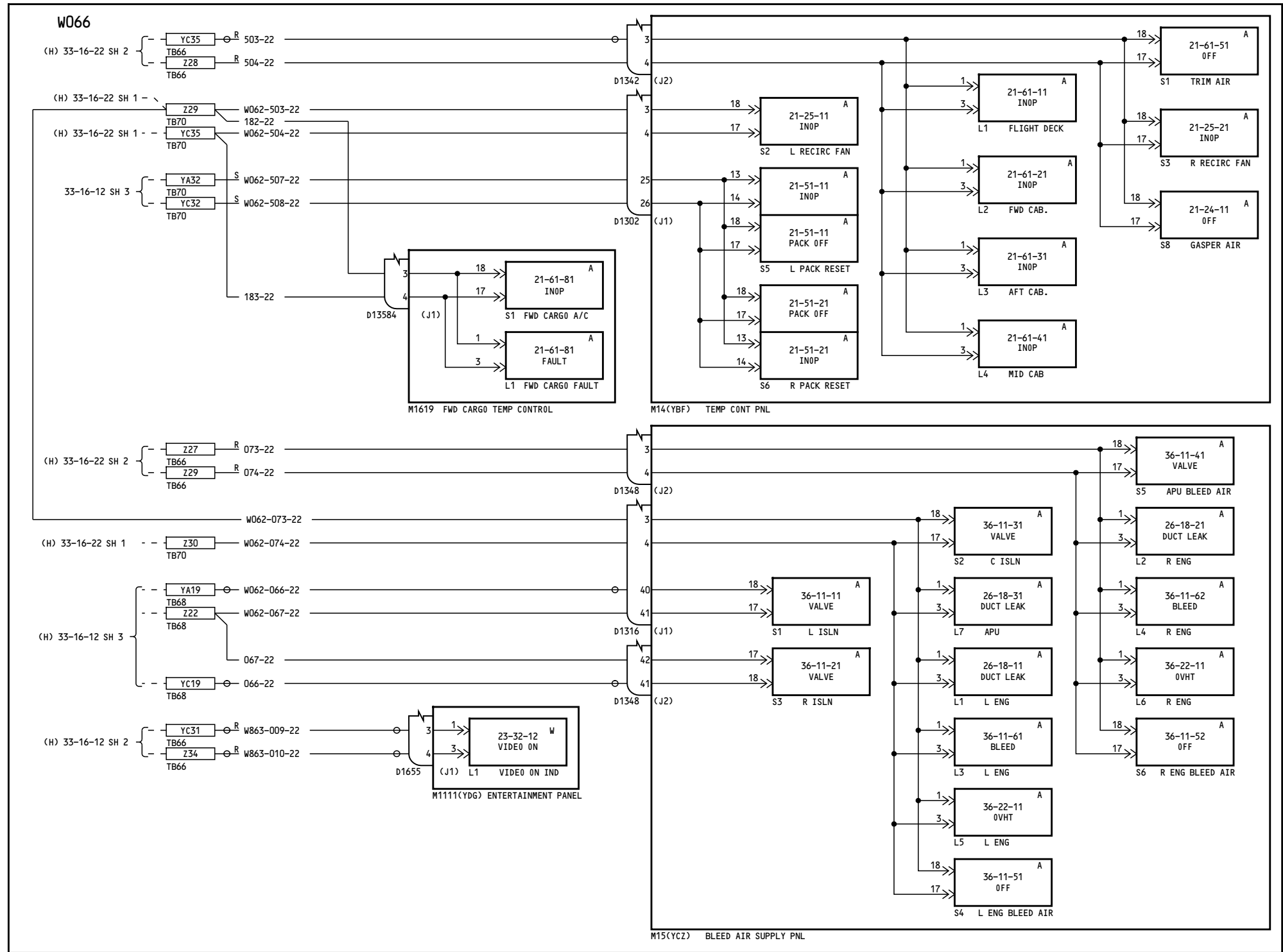
33-16-17

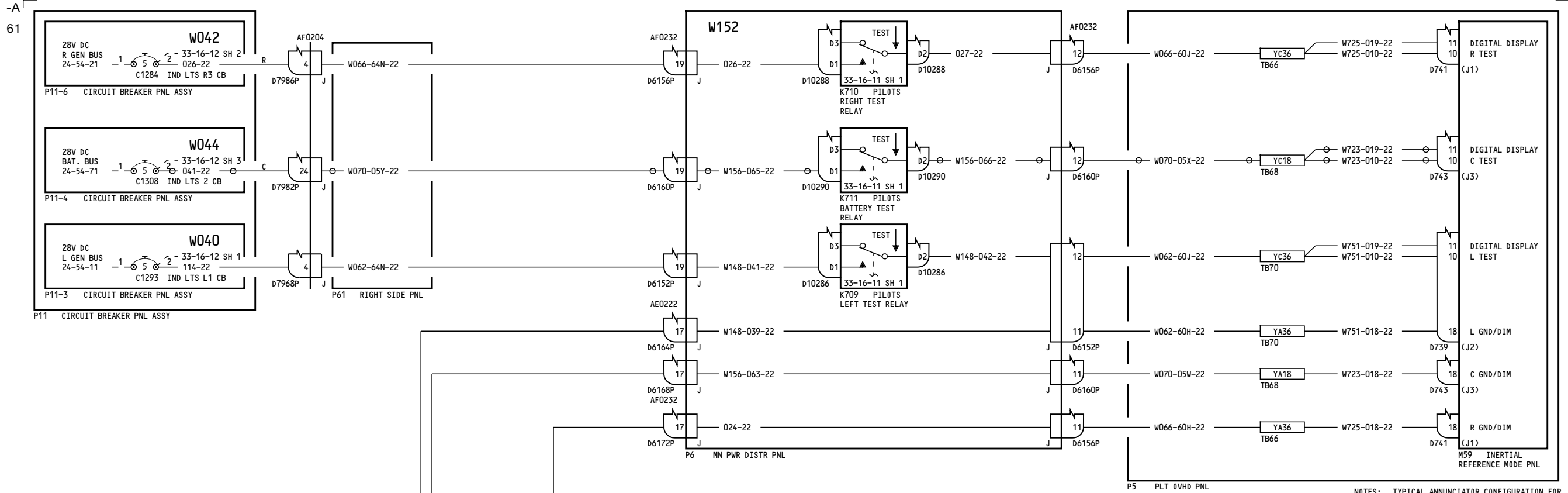
Page 8.1A
Sheet 4
Mar 09/2006

33-16-17

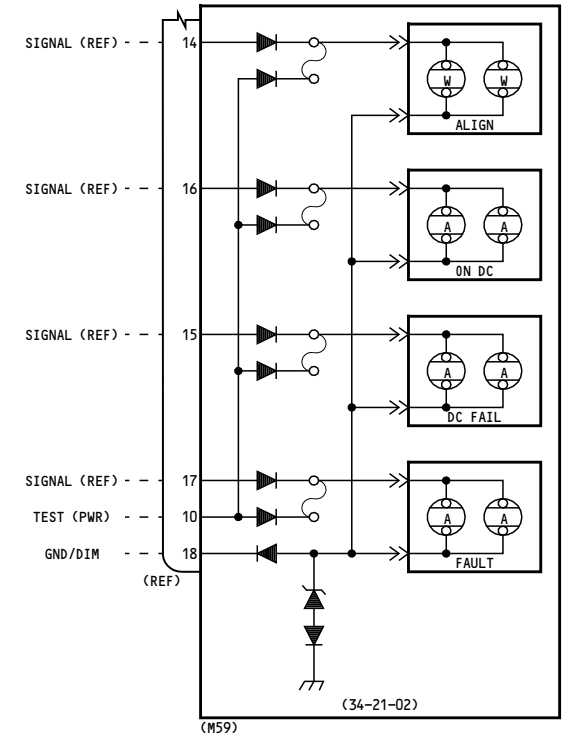
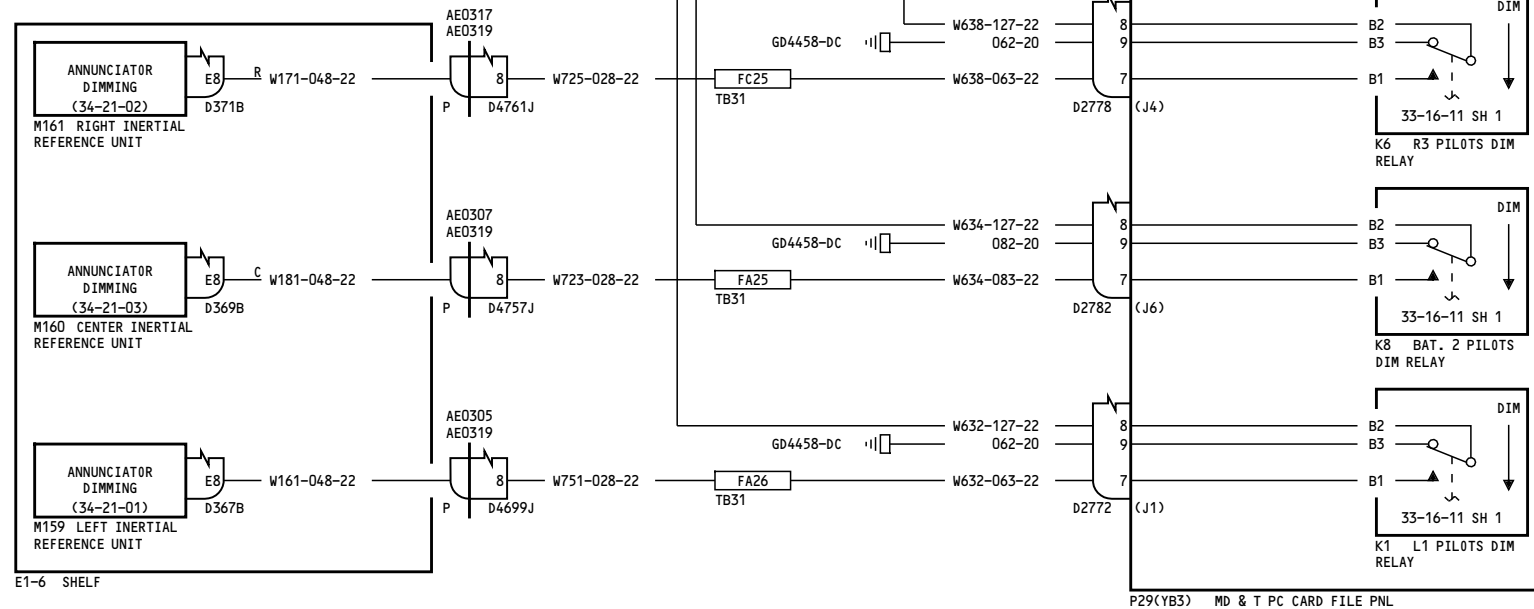
Page 8.1A
Sheet 4
Mar 09/2006

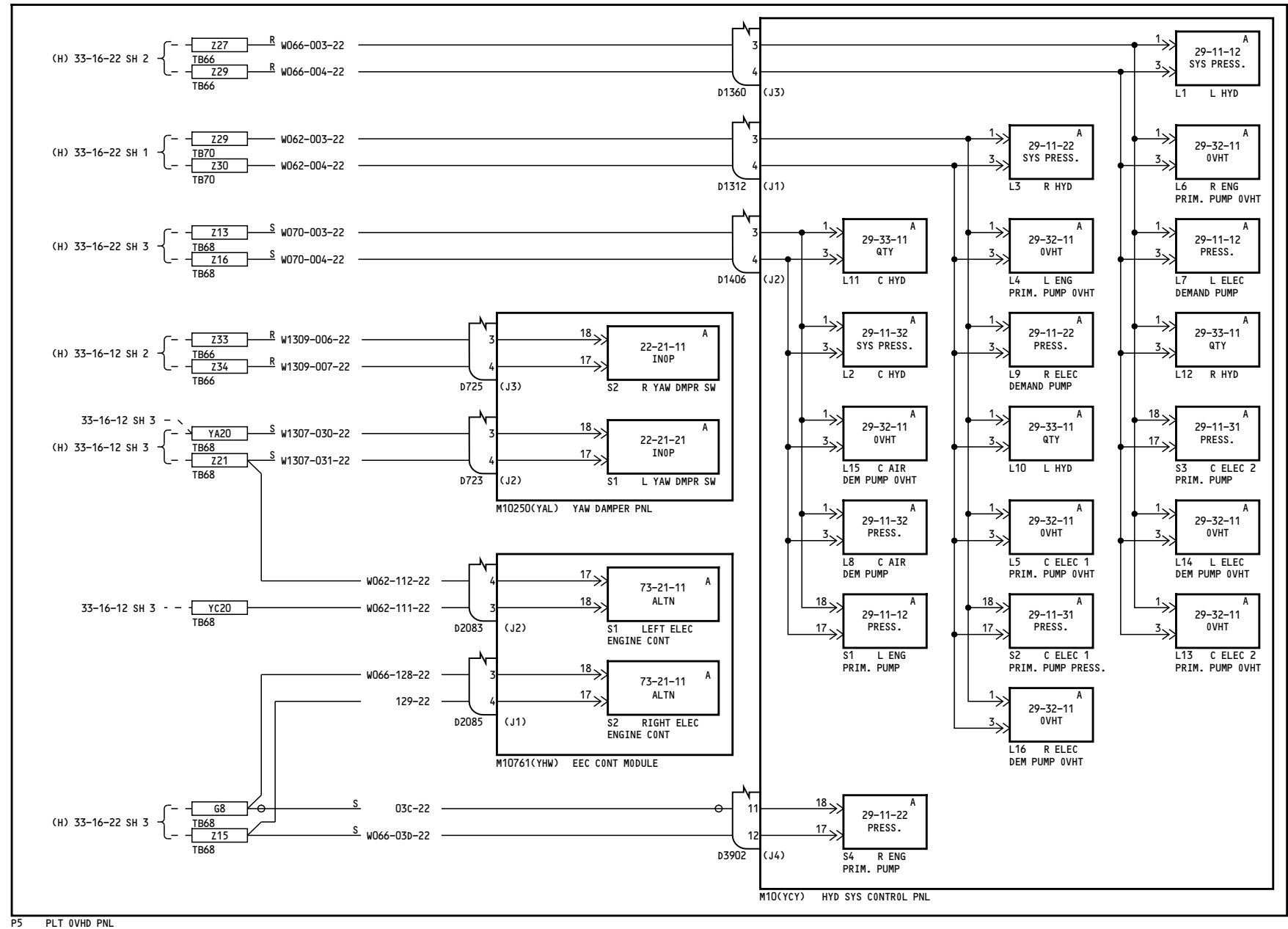




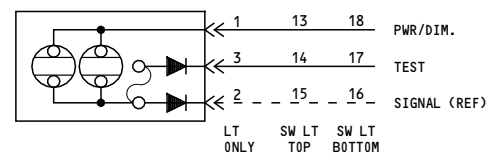


NOTES: TYPICAL ANNUNCIATOR CONFIGURATION FOR EACH INERTIAL REFERENCE SYSTEM IN M59 PNL (P5) (SHOWN FOR REFERENCE ONLY)

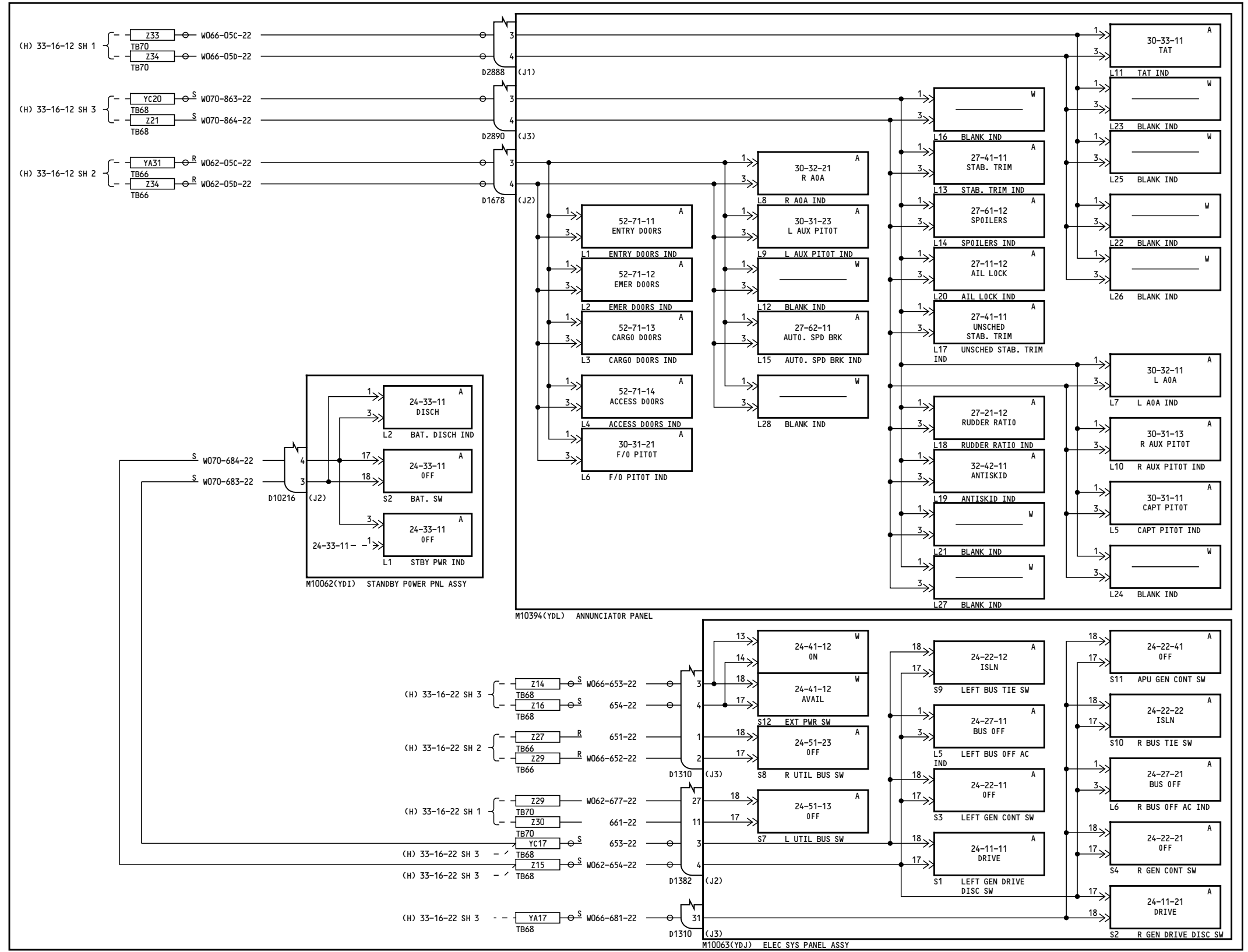




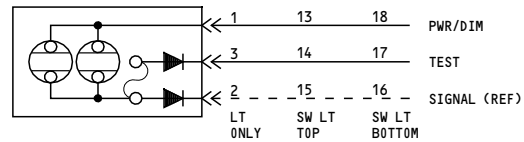
NOTES: TYPICAL ANNUNCIATOR
CONFIGURATION EXCEPT WHERE SHOWN
OTHERWISE (SHOWN FOR REFERENCE ONLY):



-A
61



NOTES:
TYPICAL ANNUNCIATOR
CONFIGURATION EXCEPT
WHERE SHOWN OTHERWISE
(SHOWN FOR REFERENCE ONLY):



163-165

**MASTER DIM & TEST-
PILOTS OVERHEAD &
OVERHEAD CB PANEL**

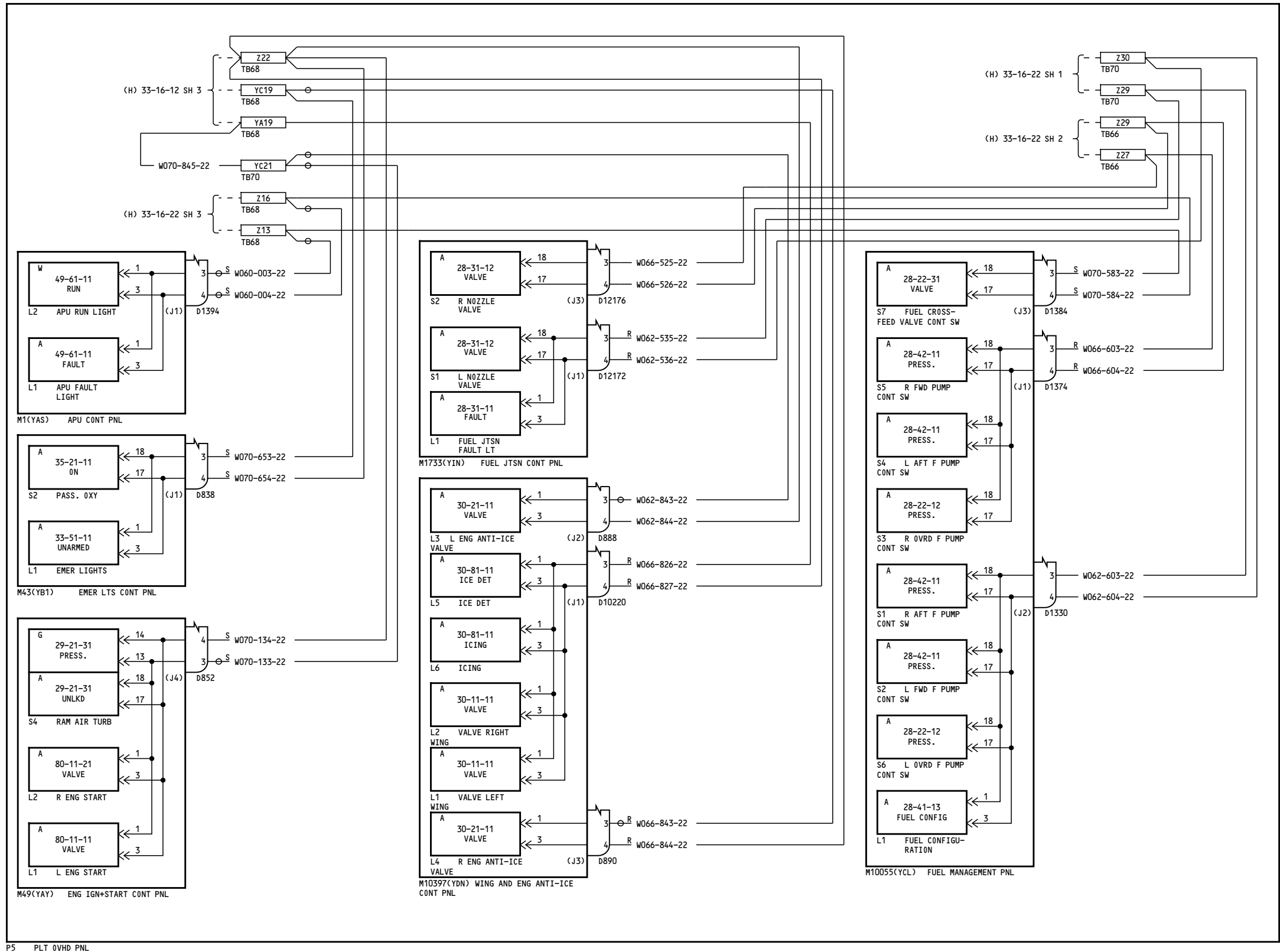
33-16-17

Page 8.2A
Sheet 3
Mar 09/2006

D280T132

33-16-17

Page 8.2A
Sheet 3
Mar 09/2006



163-165

MASTER DIM & TEST-PILOTS OVERHEAD & OVERHEAD CB PANEL

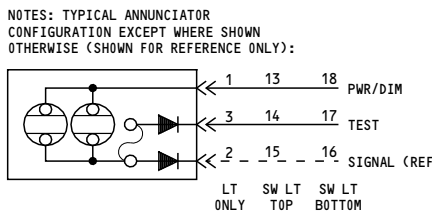
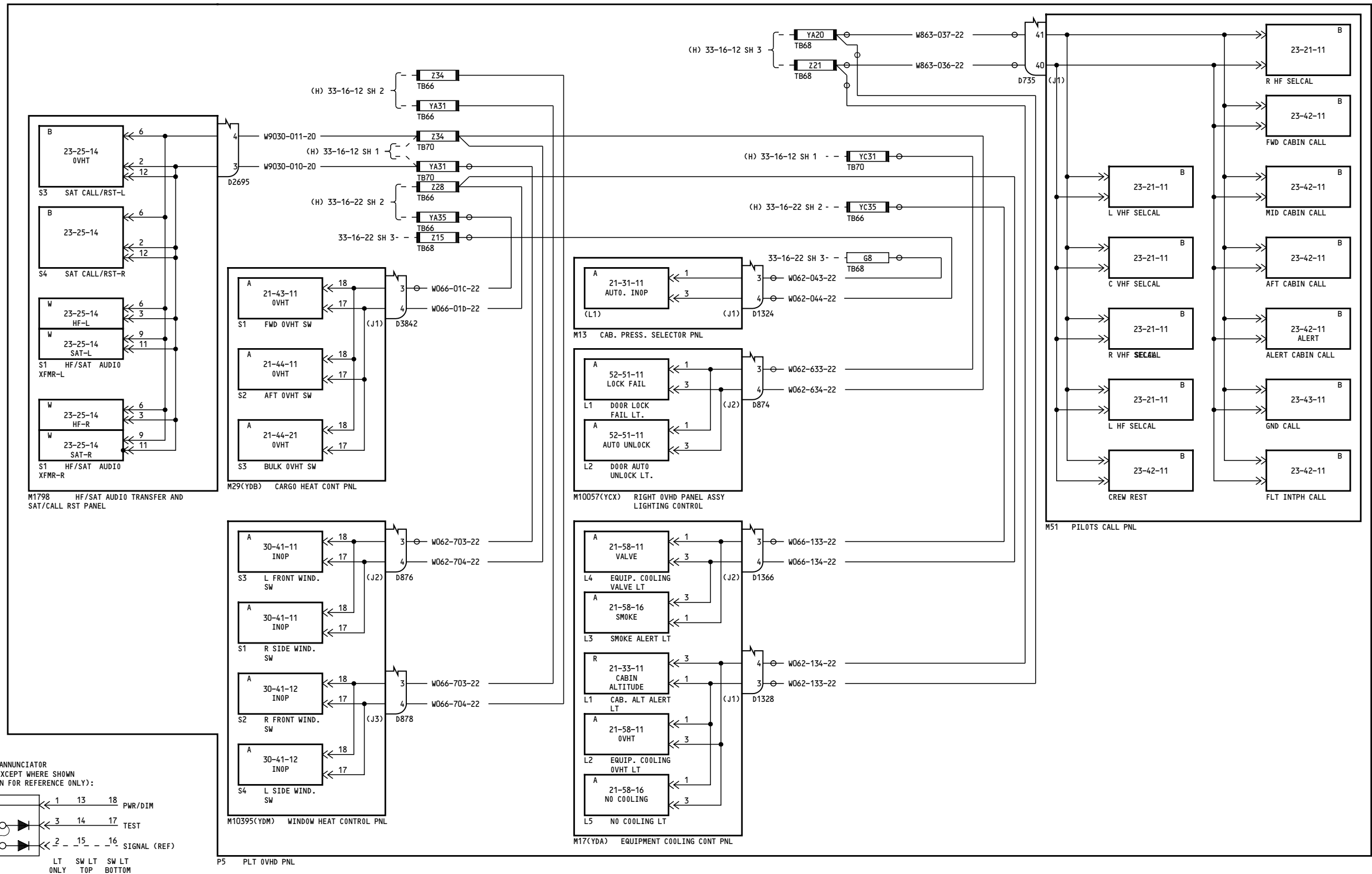
D280T132

33-16-17

Page 8.2A
Sheet 4
Mar 09/2006

33-16-17

Page 8.2A
Sheet 4
Mar 09/2006



163-165

MASTER DIM & TEST-PILOTS OVERHEAD & OVERHEAD CB PANEL

D280T132

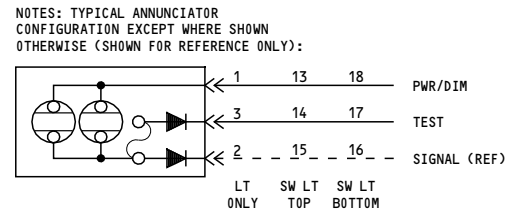
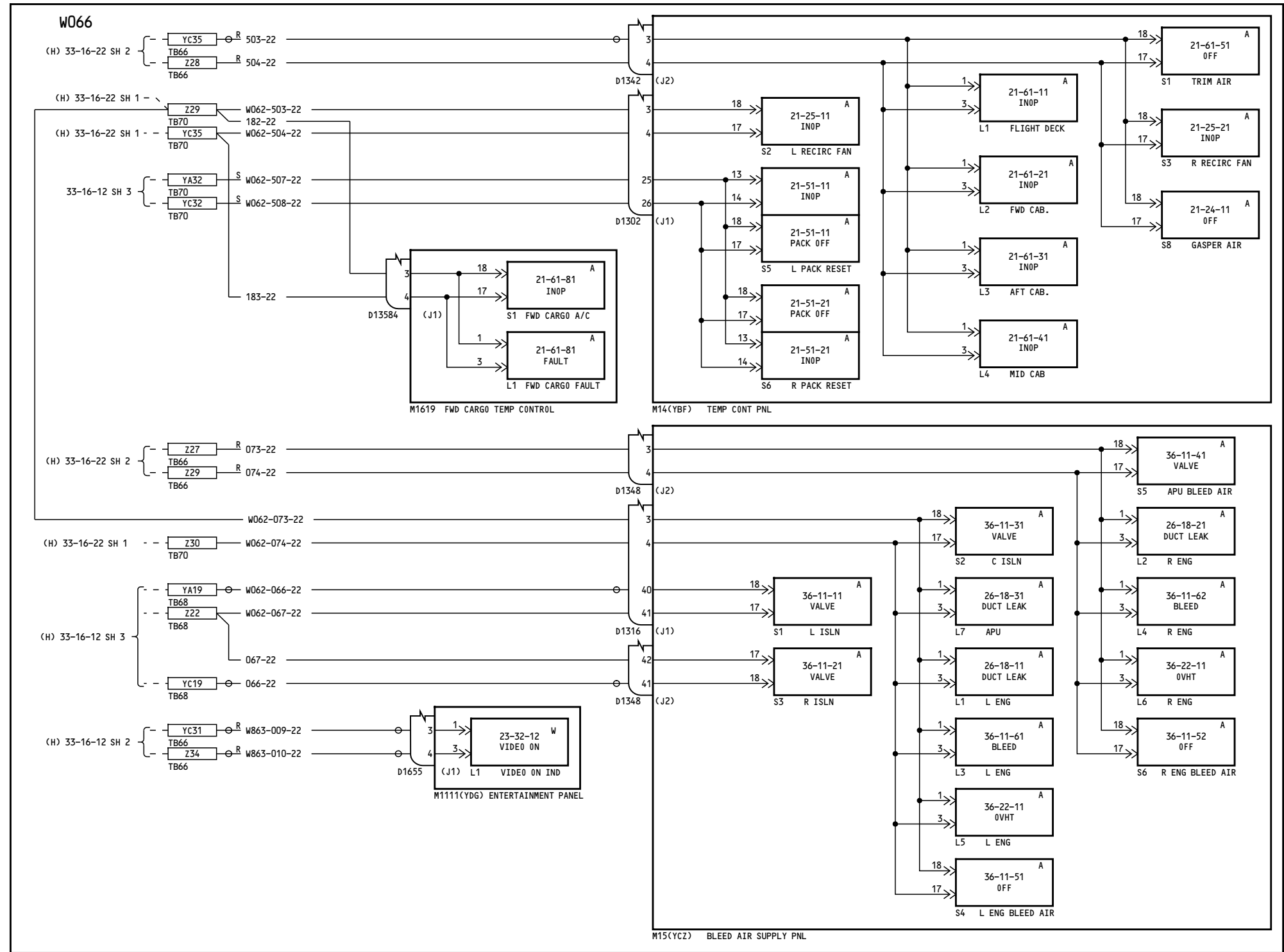
33-16-17

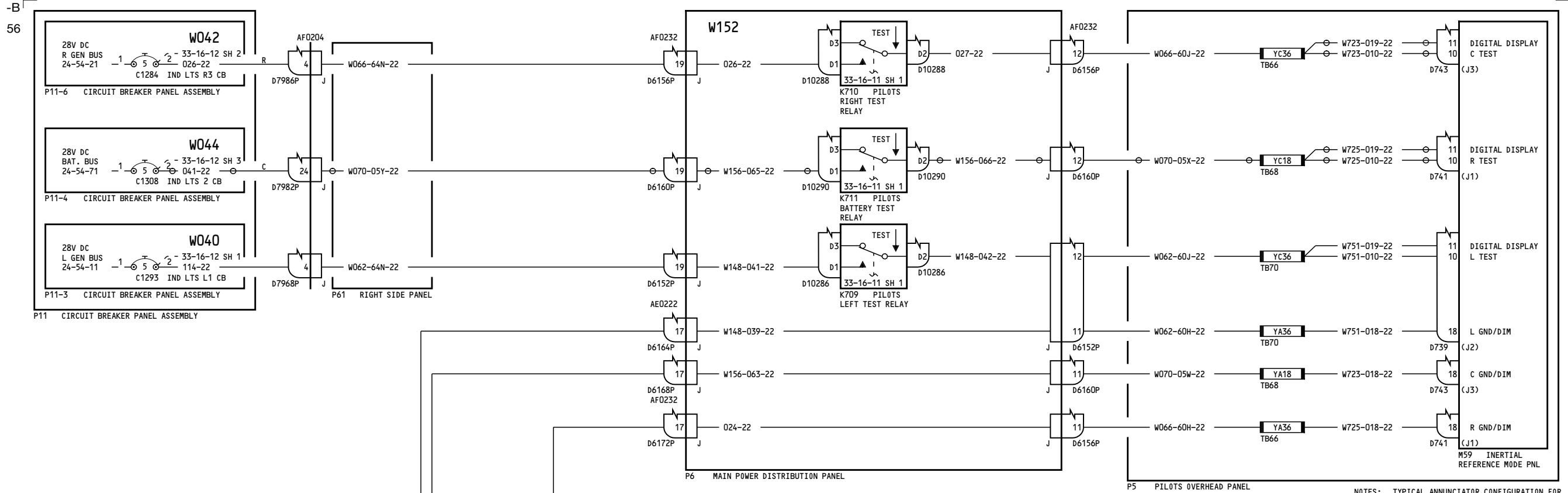
Page 8.2A
Sheet 5
Mar 09/2006

Incorporates
25-0325 R02
MTO 230592

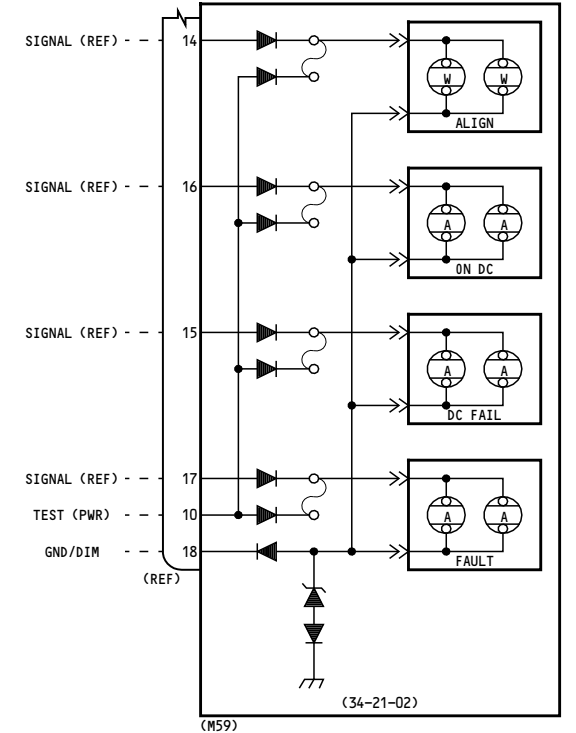
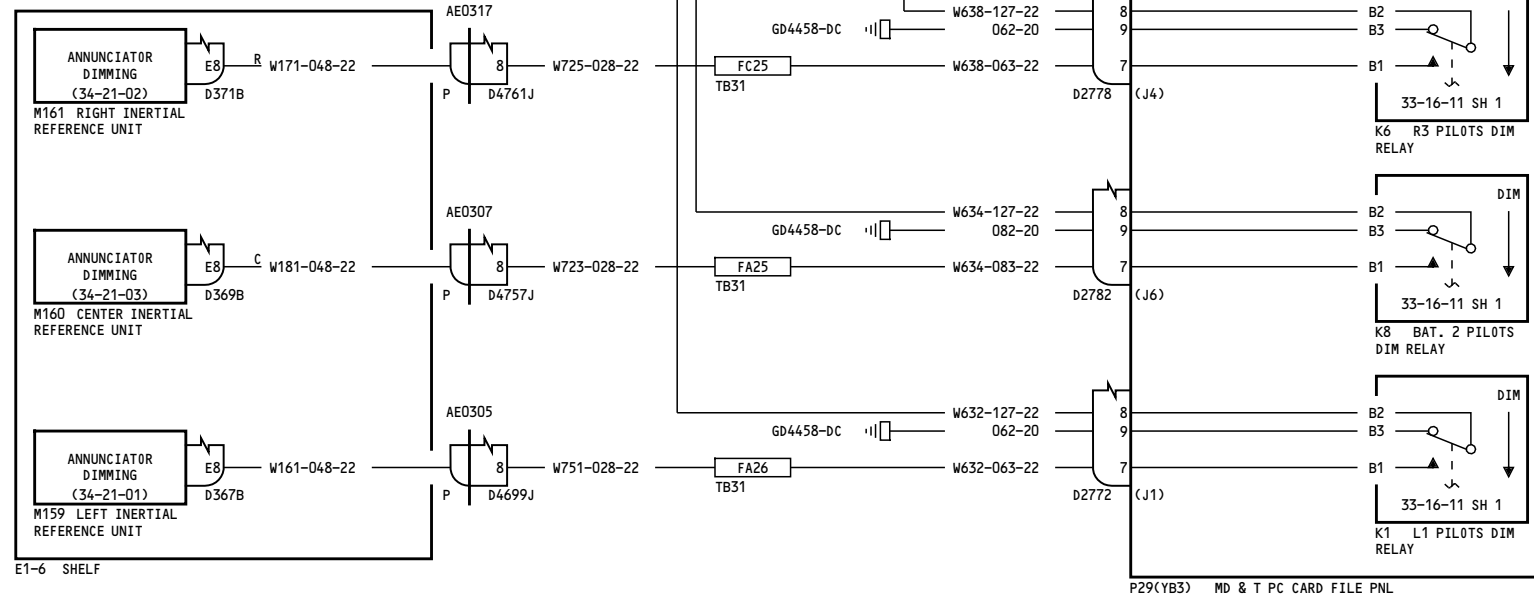
33-16-17

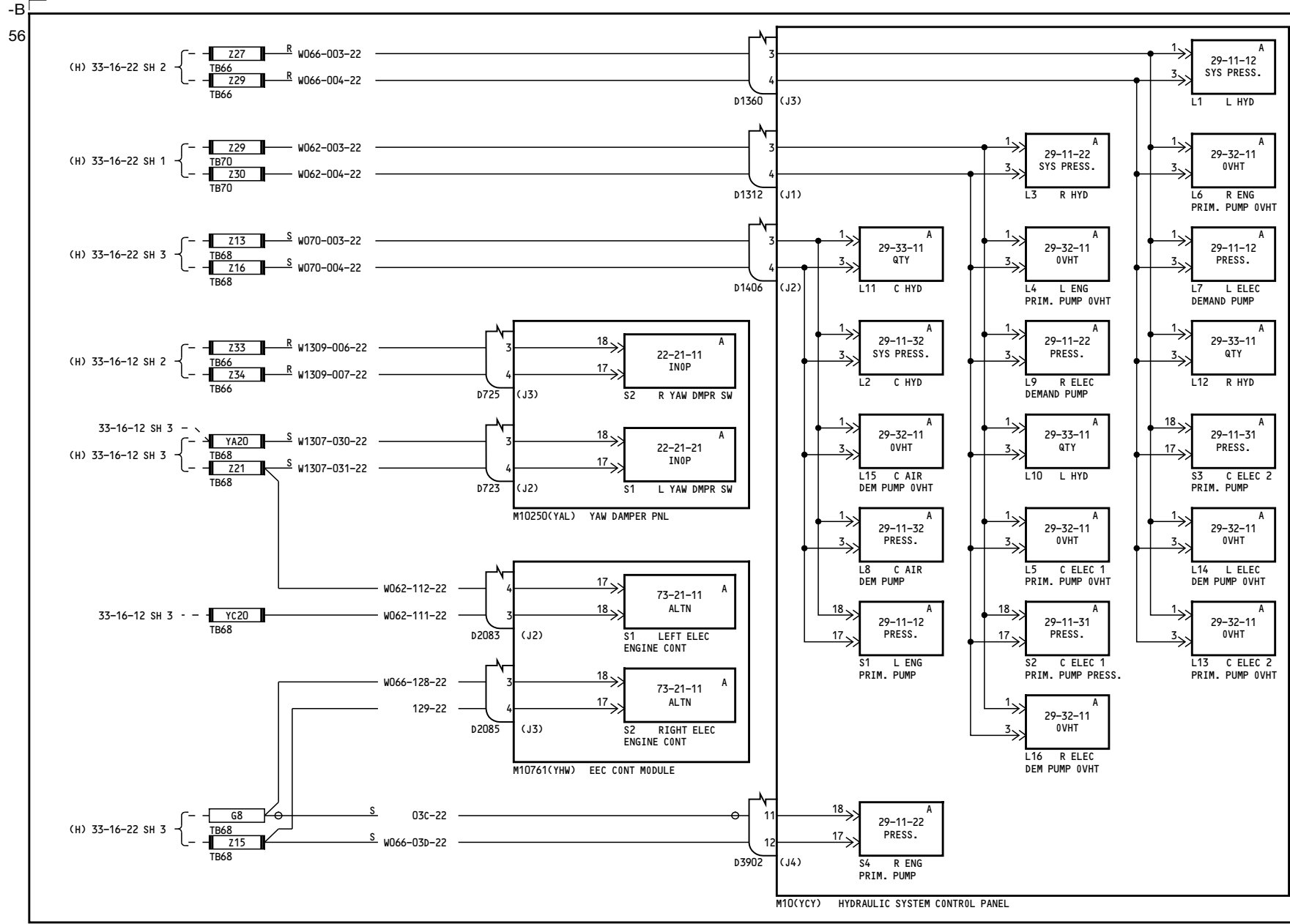
Page 8.2A
Sheet 5
Mar 09/2006





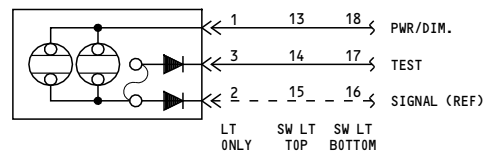
NOTES: TYPICAL ANNUNCIATOR CONFIGURATION FOR EACH INERTIAL REFERENCE SYSTEM IN M59 PNL (P5) (SHOWN FOR REFERENCE ONLY)





P5 PILOTS OVERHEAD PANEL

NOTES: TYPICAL ANNUNCIATOR CONFIGURATION EXCEPT WHERE SHOWN OTHERWISE (SHOWN FOR REFERENCE ONLY):



275

MASTER DIM & TEST-PILOTS OVERHEAD & OVERHEAD CB PANEL

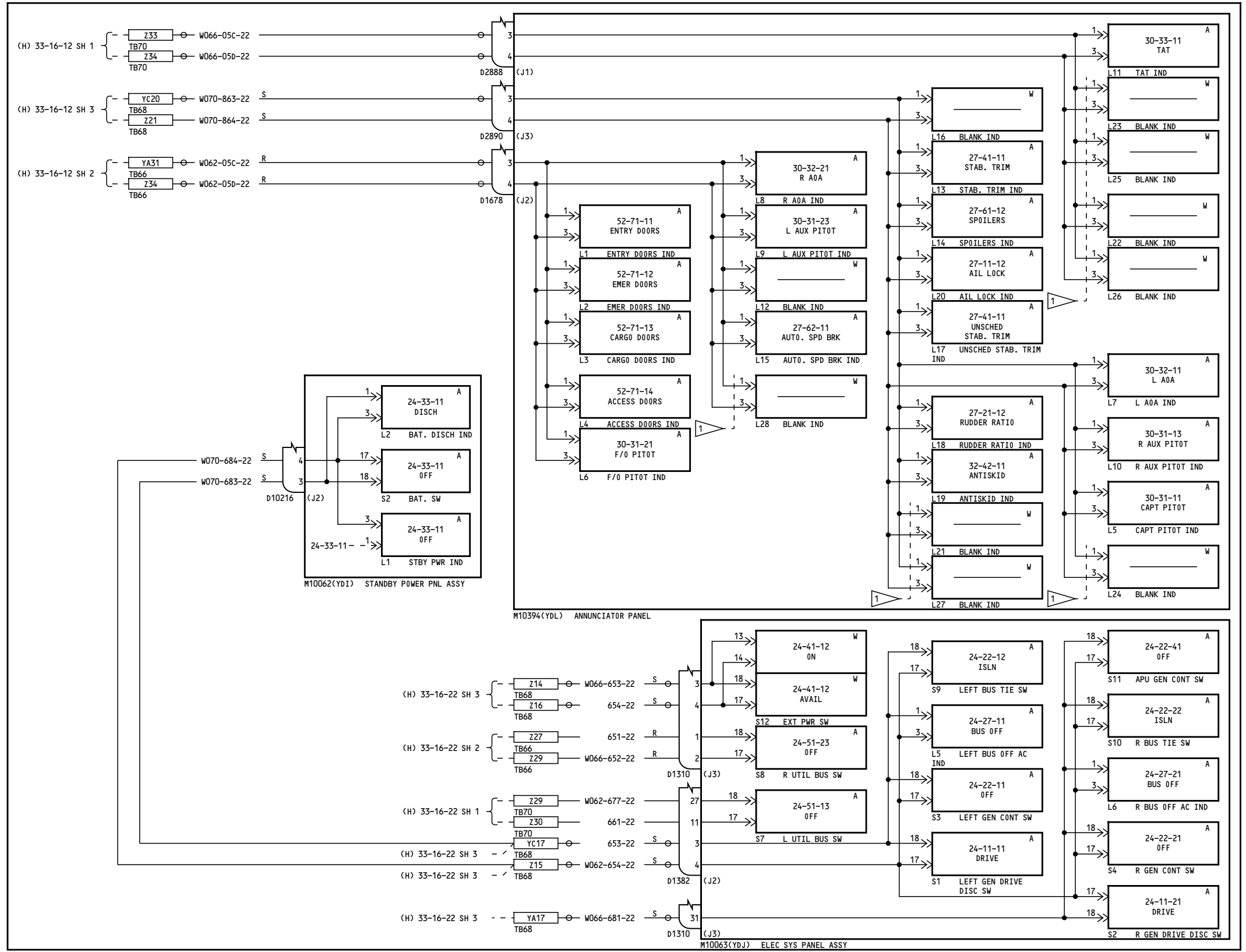
D280T132

33-16-17

Page 9
Sheet 2
Mar 09/2006

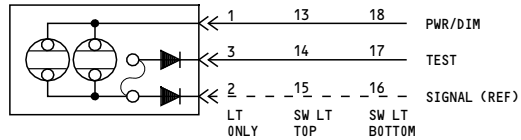
33-16-17

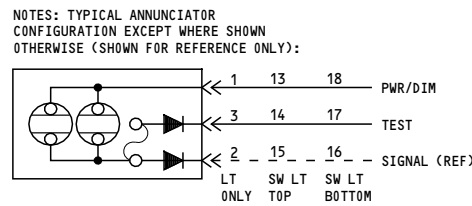
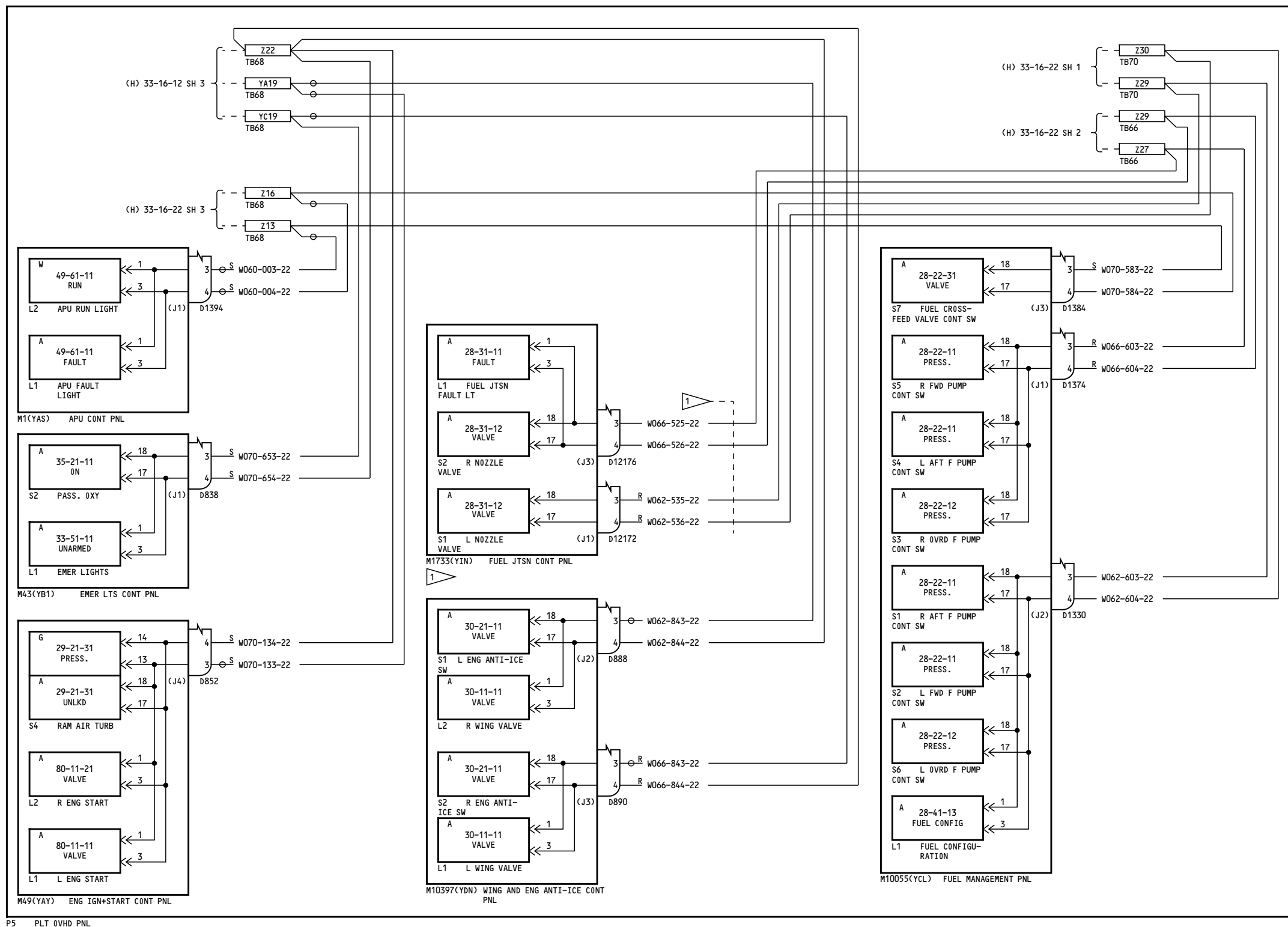
Page 9
Sheet 2
Mar 09/2006



1 VN221-VN222 (275-276)

NOTES:
TYPICAL ANNUNCIATOR
CONFIGURATION EXCEPT
WHERE SHOWN OTHERWISE
(SHOWN FOR REFERENCE ONLY):





1 VN222-VN230, VN671-VN675 (276-999)

275

MASTER DIM & TEST-PILOTS OVERHEAD & OVERHEAD CB PANEL

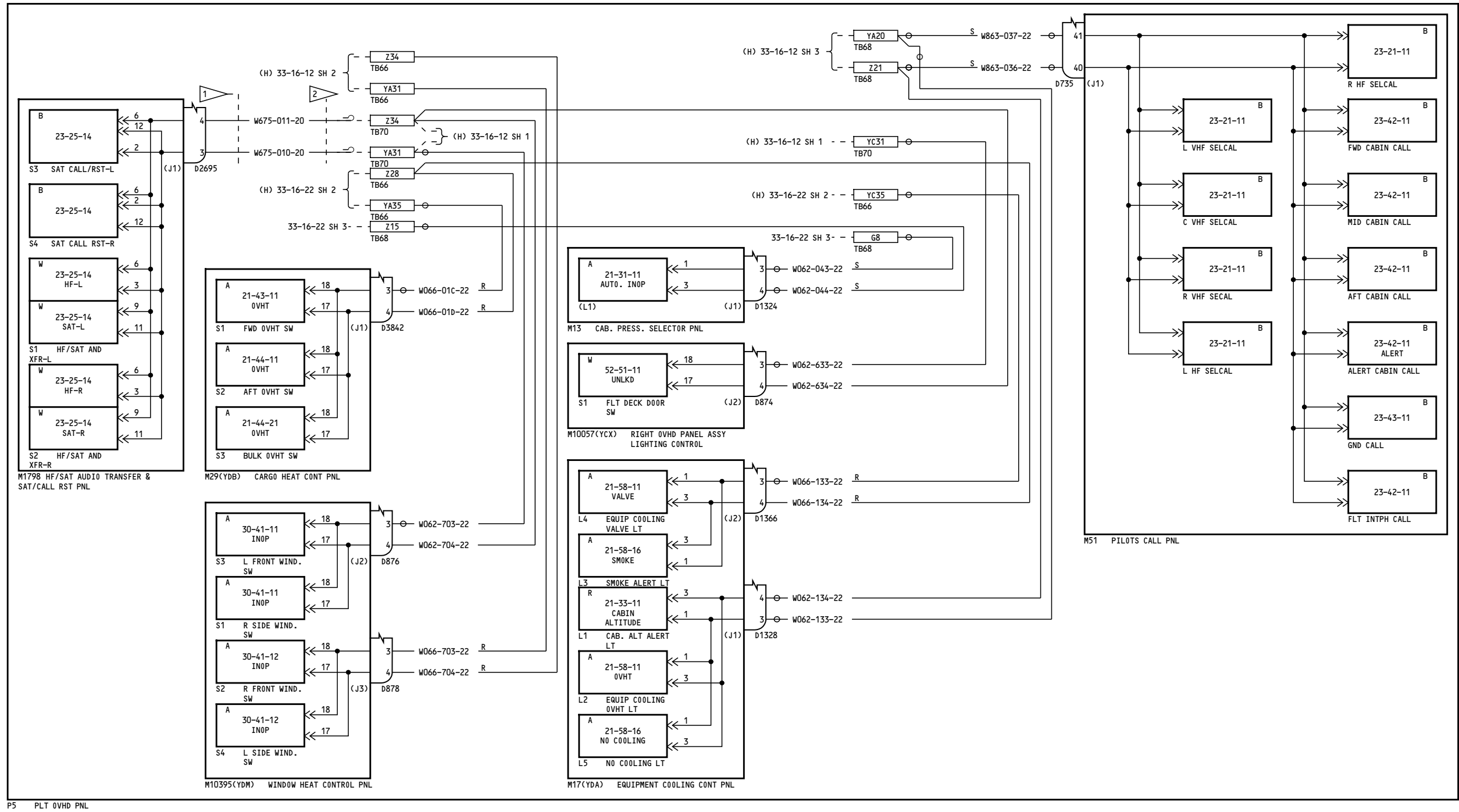
D280T132

33-16-17

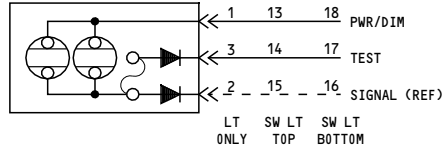
Page 9
Sheet 4
Mar 09/2006

33-16-17

Page 9
Sheet 4
Mar 09/2006



NOTES: TYPICAL ANNUNCIATOR CONFIGURATION EXCEPT WHERE SHOWN OTHERWISE (SHOWN FOR REFERENCE ONLY):



NOTES:
1 VN223-VN230, VN671-VN675 (275-999)

2 CAP & STOW NEAR TB70

275

MASTER DIM & TEST-PILOTS OVERHEAD & OVERHEAD CB PANEL

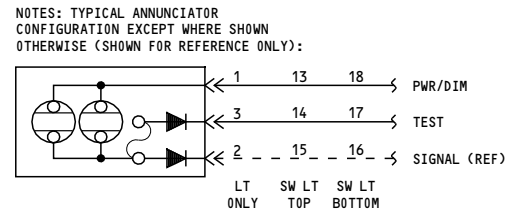
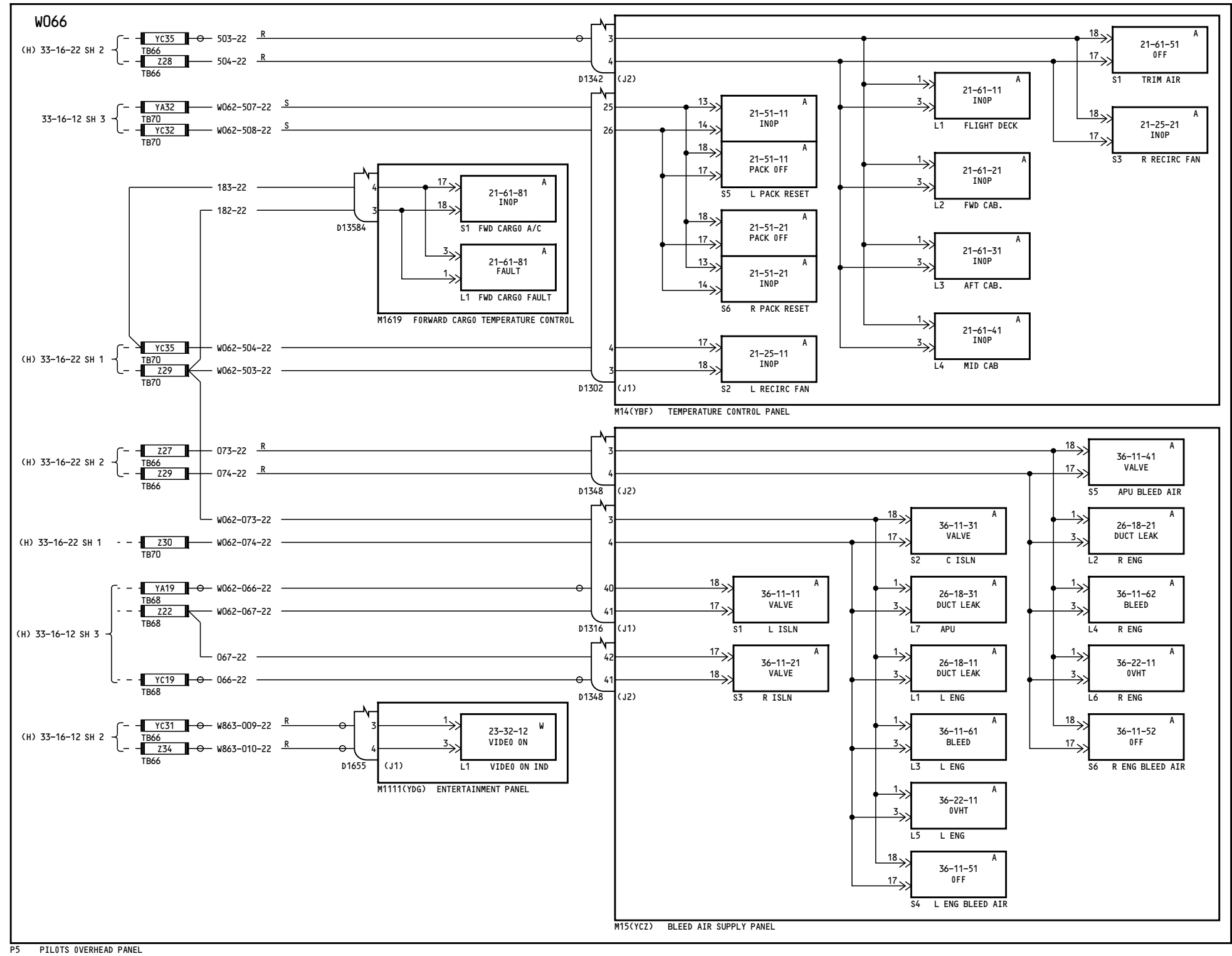
D280T132

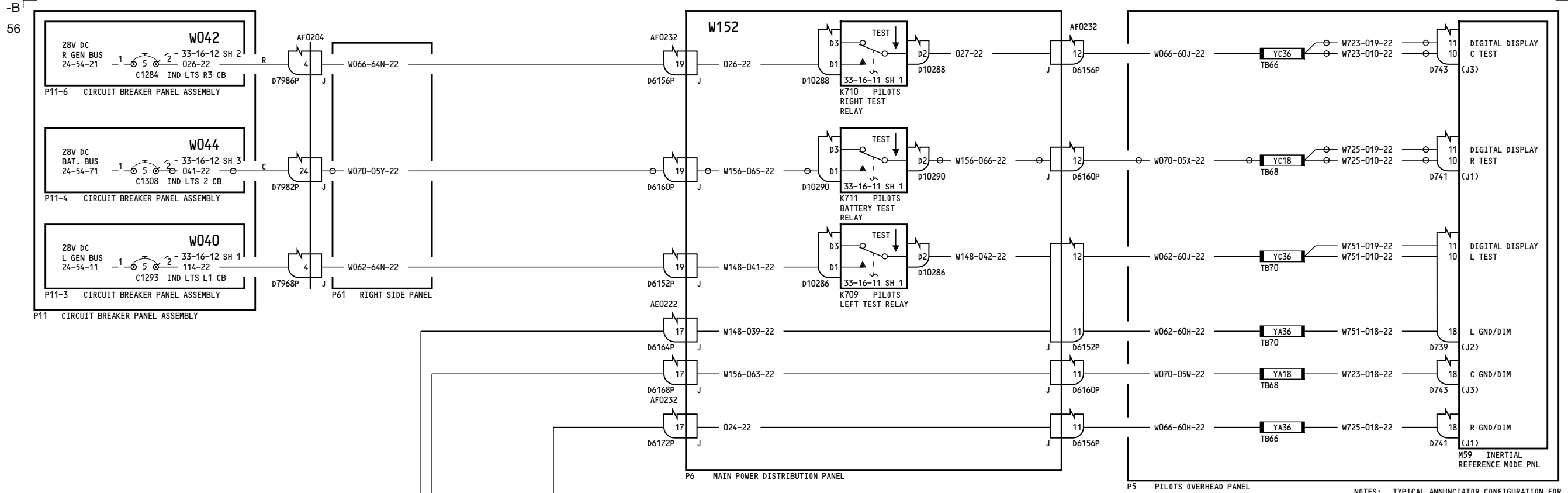
33-16-17

Page 9
Sheet 5
Mar 09/2006

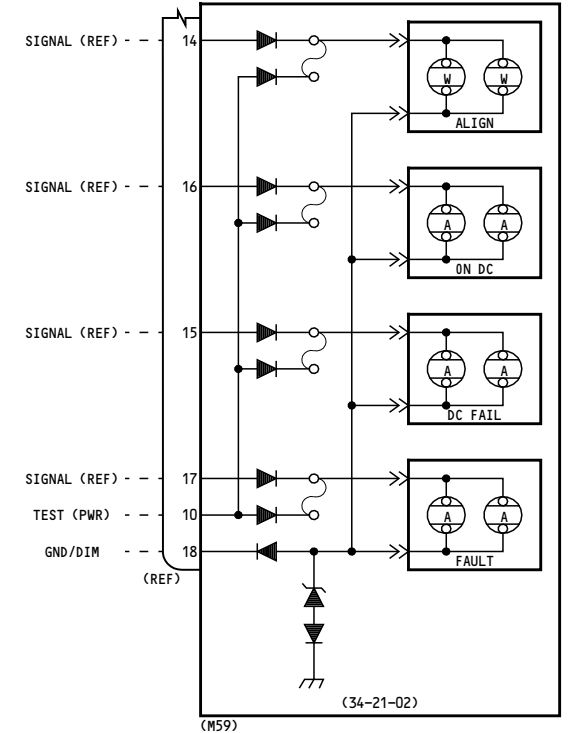
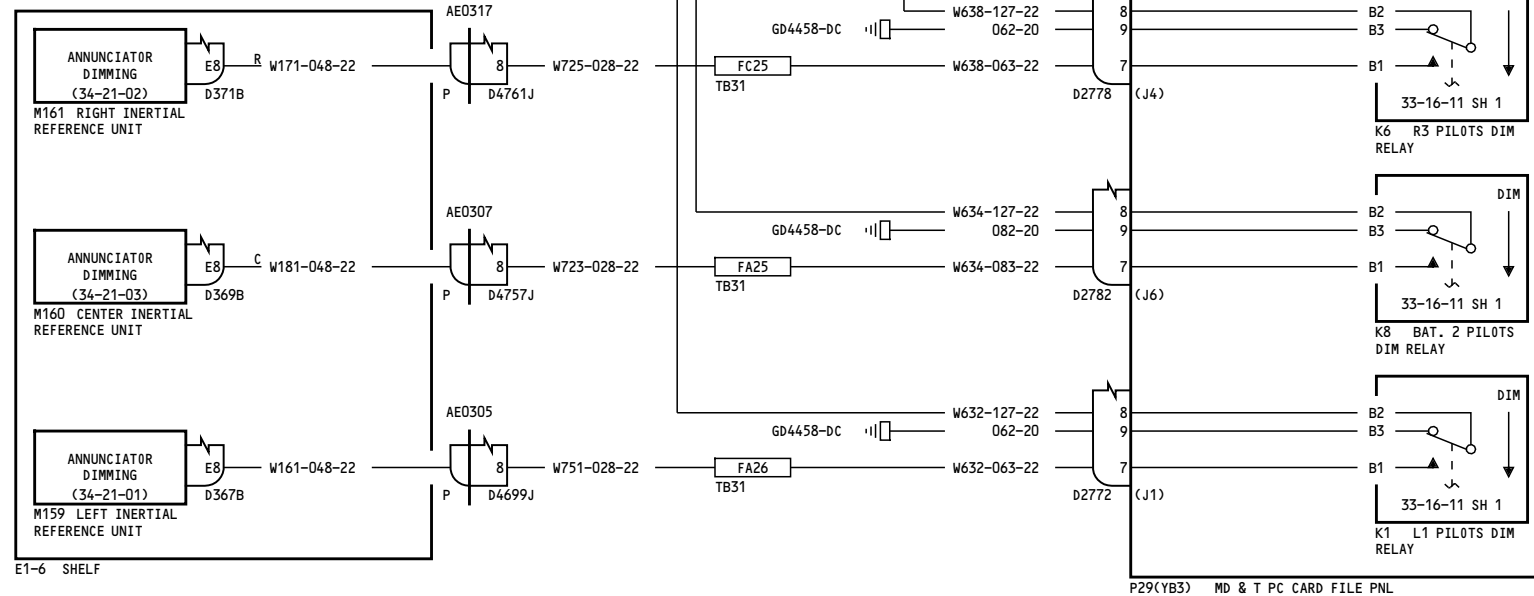
33-16-17

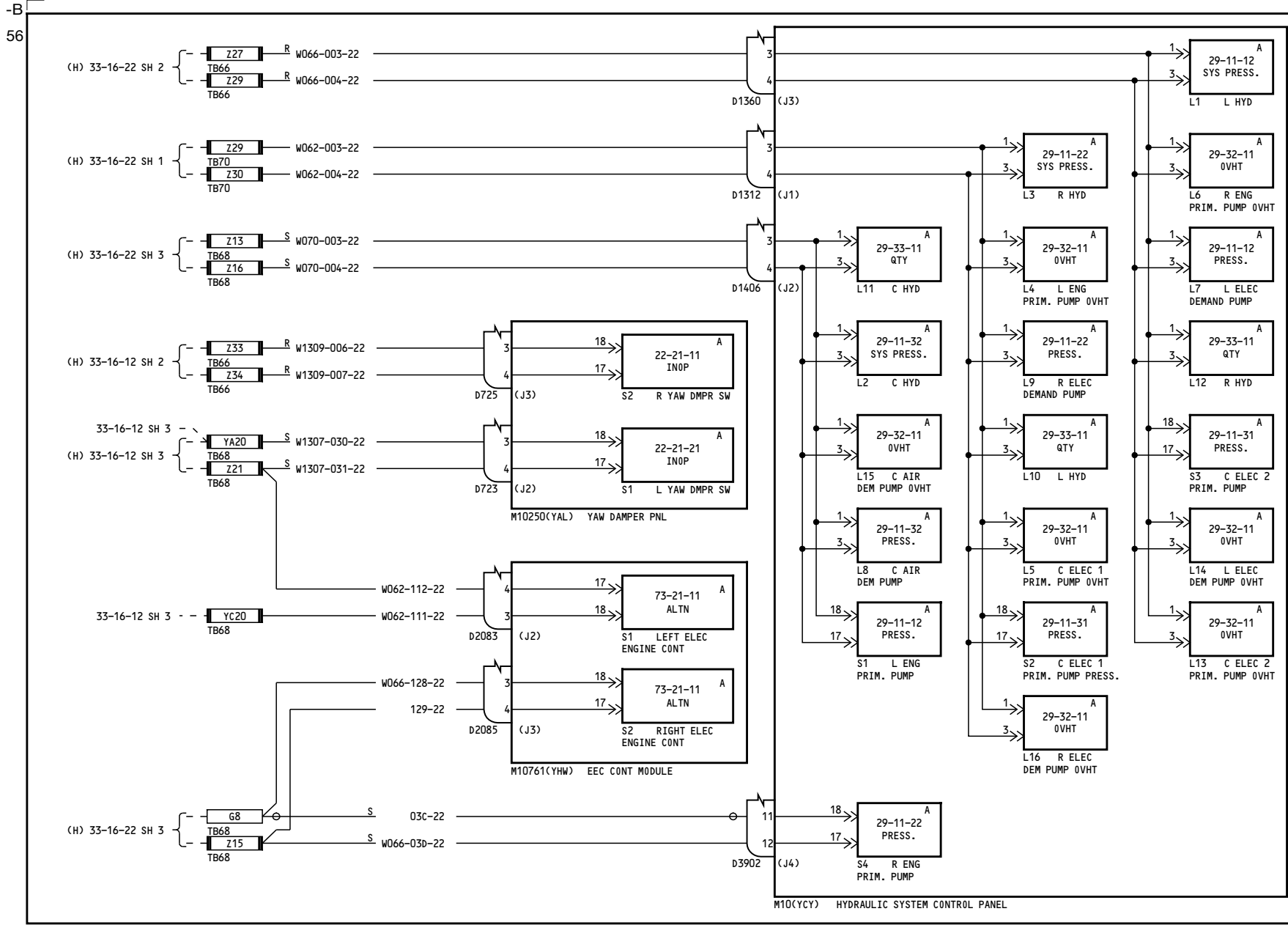
Page 9
Sheet 5
Mar 09/2006





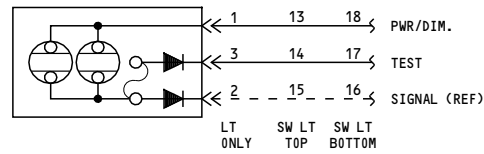
NOTES: TYPICAL ANNUNCIATOR CONFIGURATION FOR EACH INERTIAL REFERENCE SYSTEM IN M59 PNL (P5) (SHOWN FOR REFERENCE ONLY)

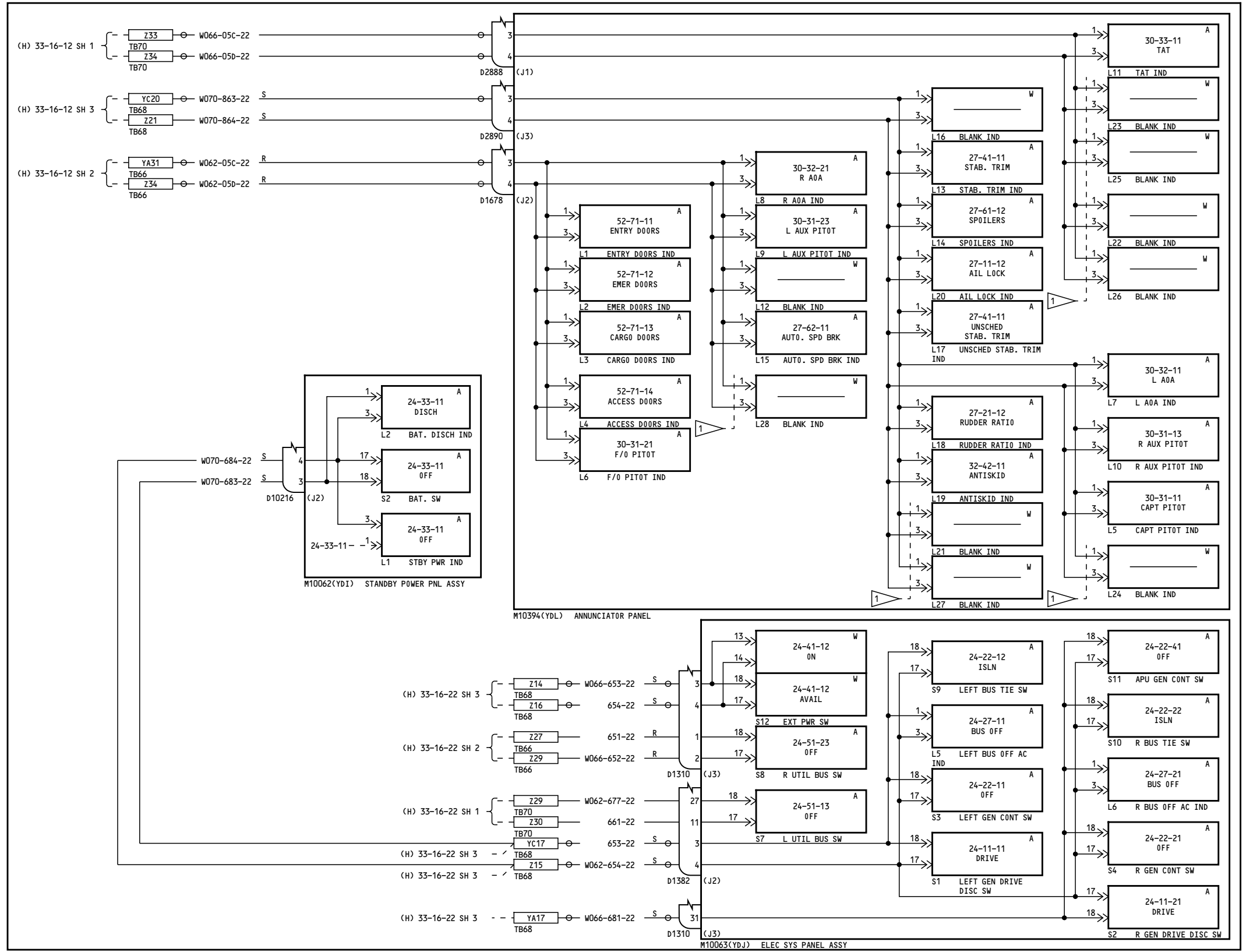




P5 PILOTS OVERHEAD PANEL

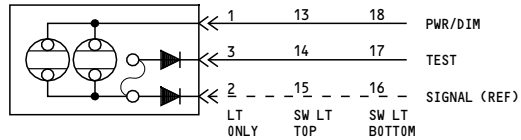
NOTES: TYPICAL ANNUNCIATOR CONFIGURATION EXCEPT WHERE SHOWN OTHERWISE (SHOWN FOR REFERENCE ONLY):

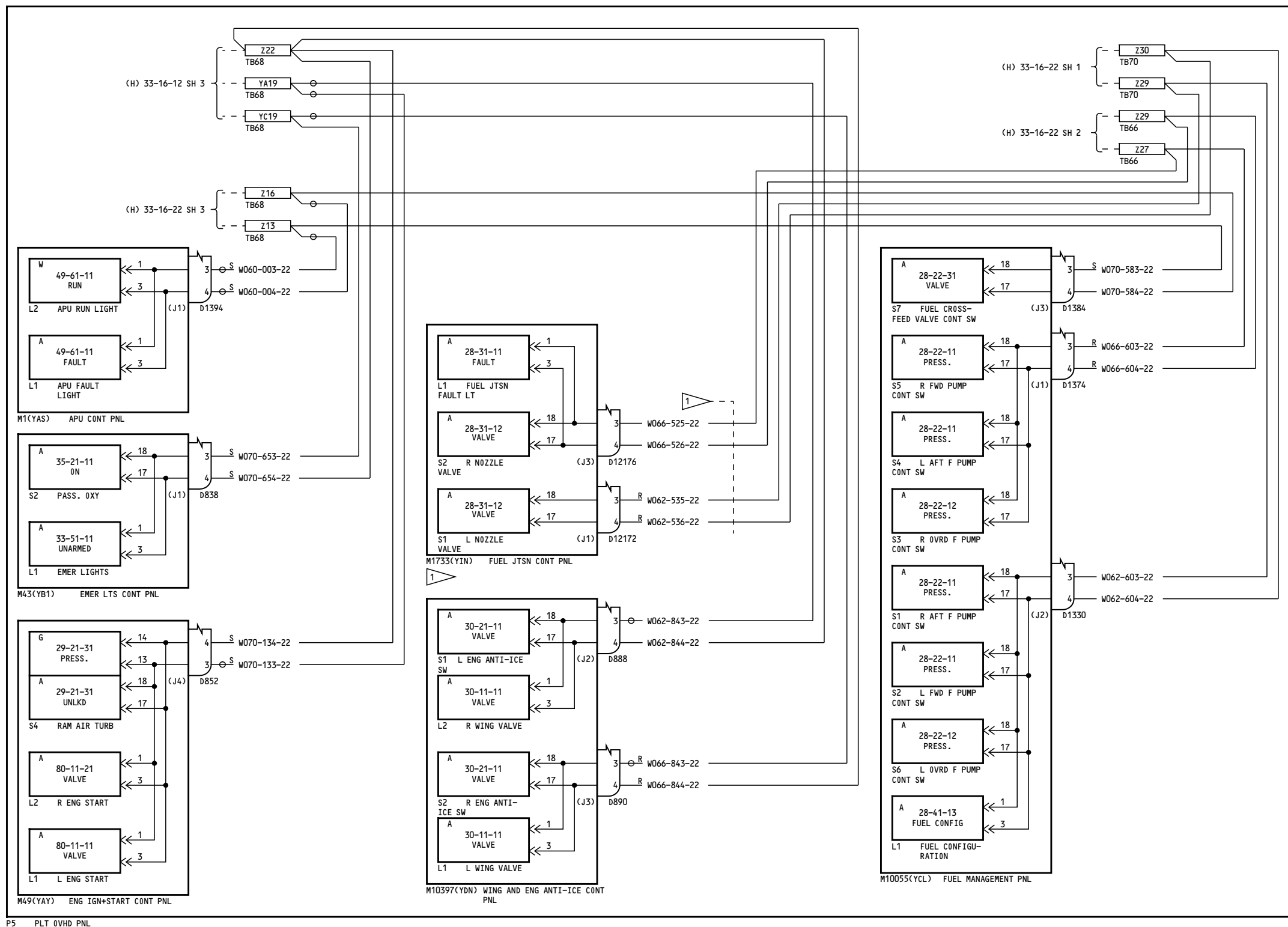




1 VN221-VN222 (275-276)

NOTES:
TYPICAL ANNUNCIATOR
CONFIGURATION EXCEPT
WHERE SHOWN OTHERWISE
(SHOWN FOR REFERENCE ONLY):





275

MASTER DIM & TEST-PILOTS OVERHEAD & OVERHEAD CB PANEL

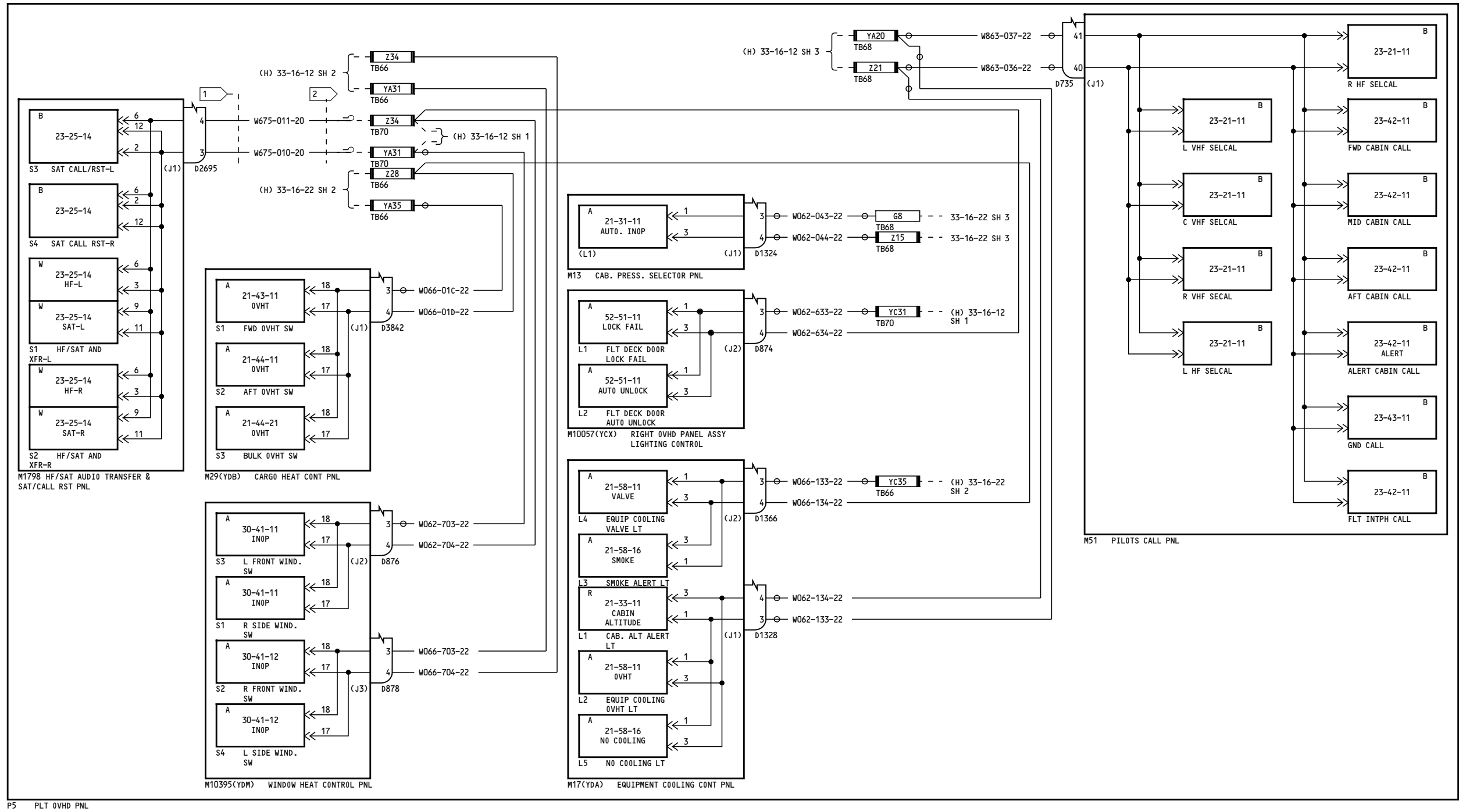
D280T132

33-16-17

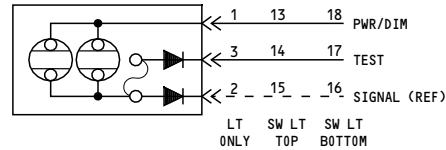
Page 9.1
Sheet 4
Mar 09/2006

33-16-17

Page 9.1
Sheet 4
Mar 09/2006



NOTES: TYPICAL ANNUNCIATOR CONFIGURATION EXCEPT WHERE SHOWN OTHERWISE (SHOWN FOR REFERENCE ONLY):



NOTES:
1 VN223-VN230, VN671-VN675 (275-999)

2 CAP & STOW NEAR TB70

275

MASTER DIM & TEST-PILOTS OVERHEAD & OVERHEAD CB PANEL

D280T132

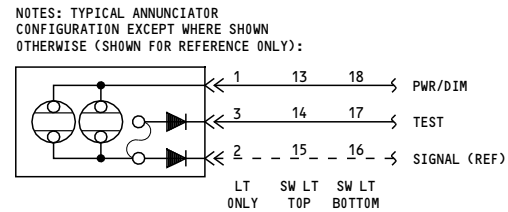
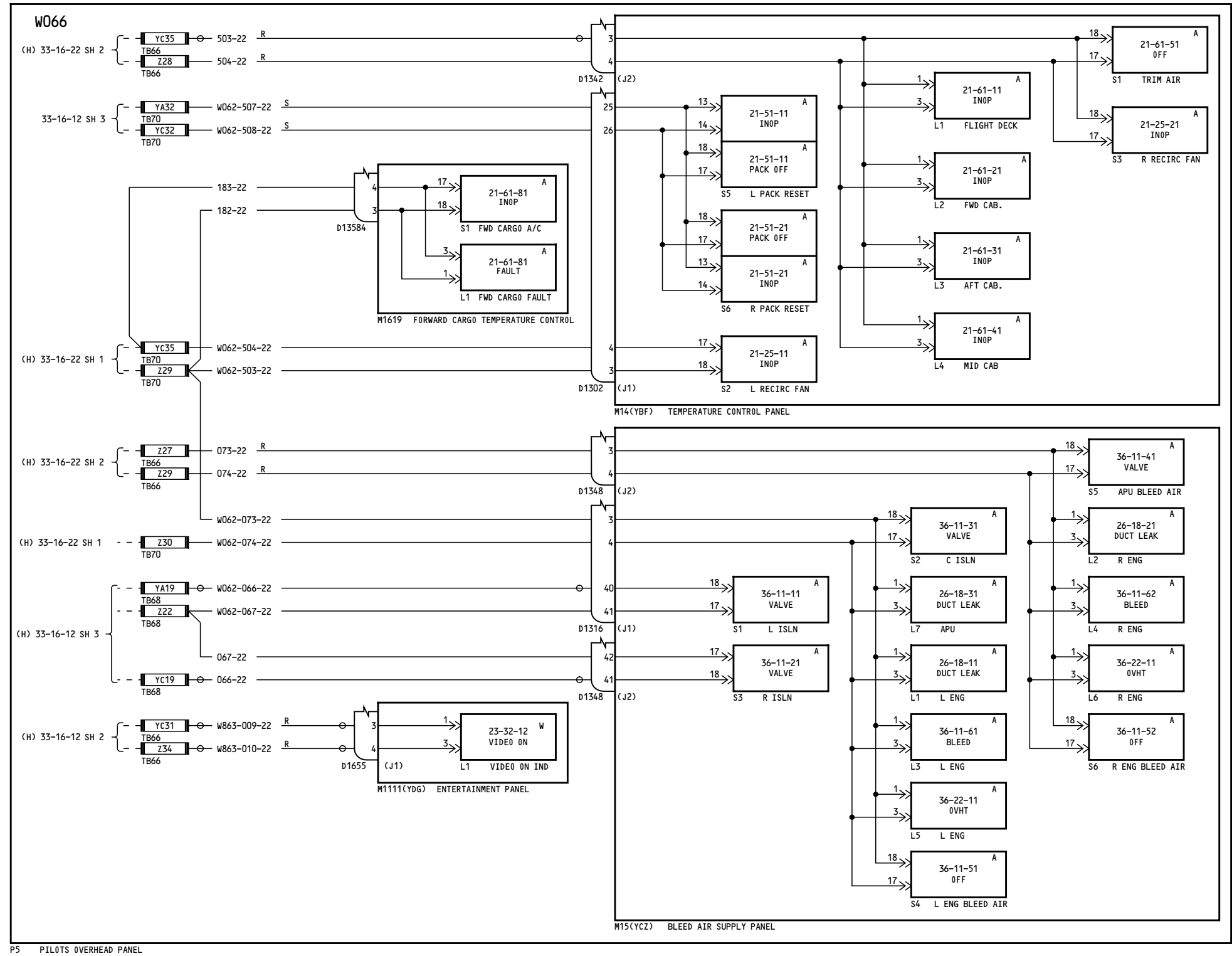
33-16-17

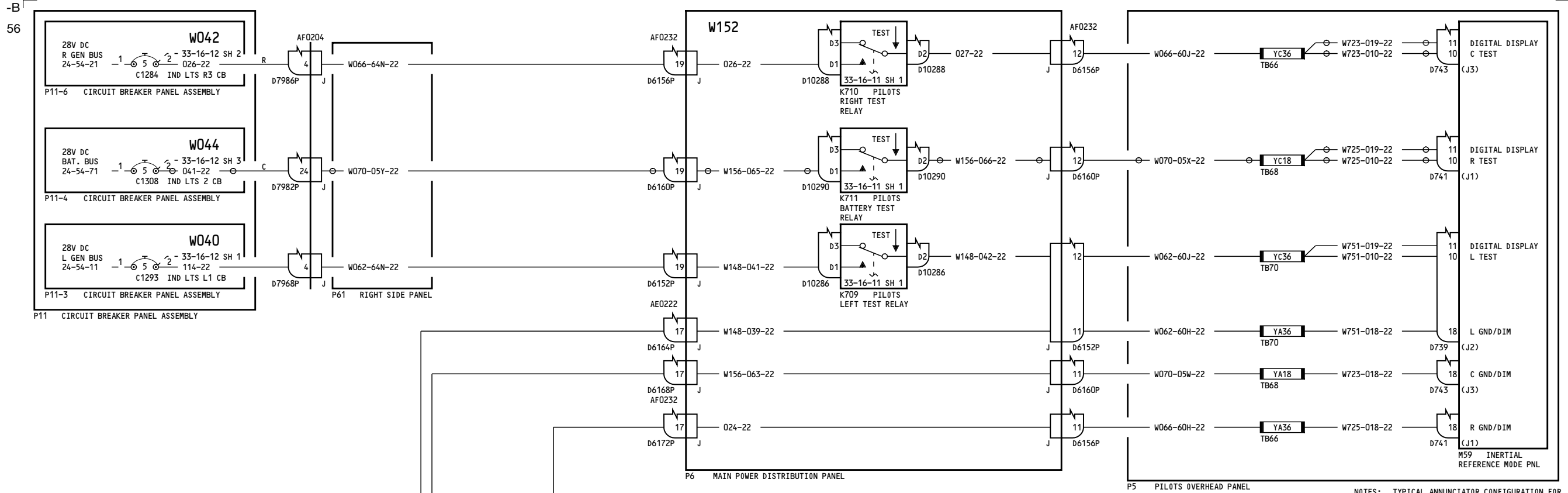
Page 9.1
Sheet 5
Mar 09/2006

Incorporates
25-0332

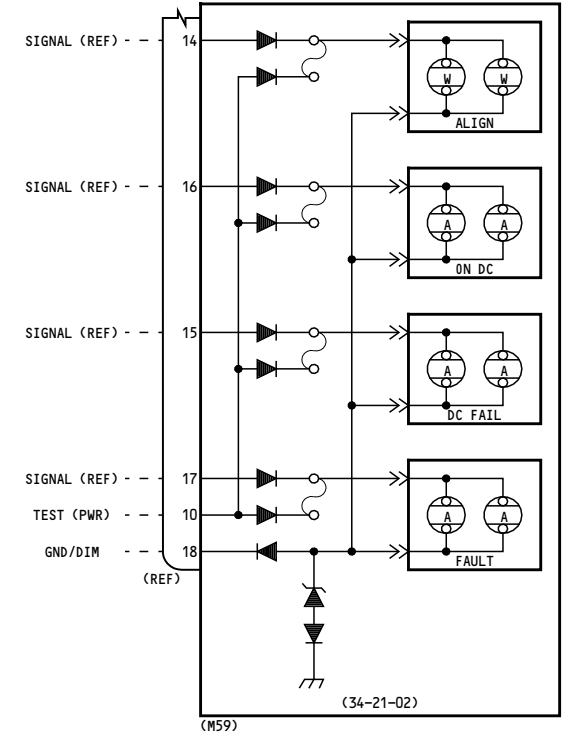
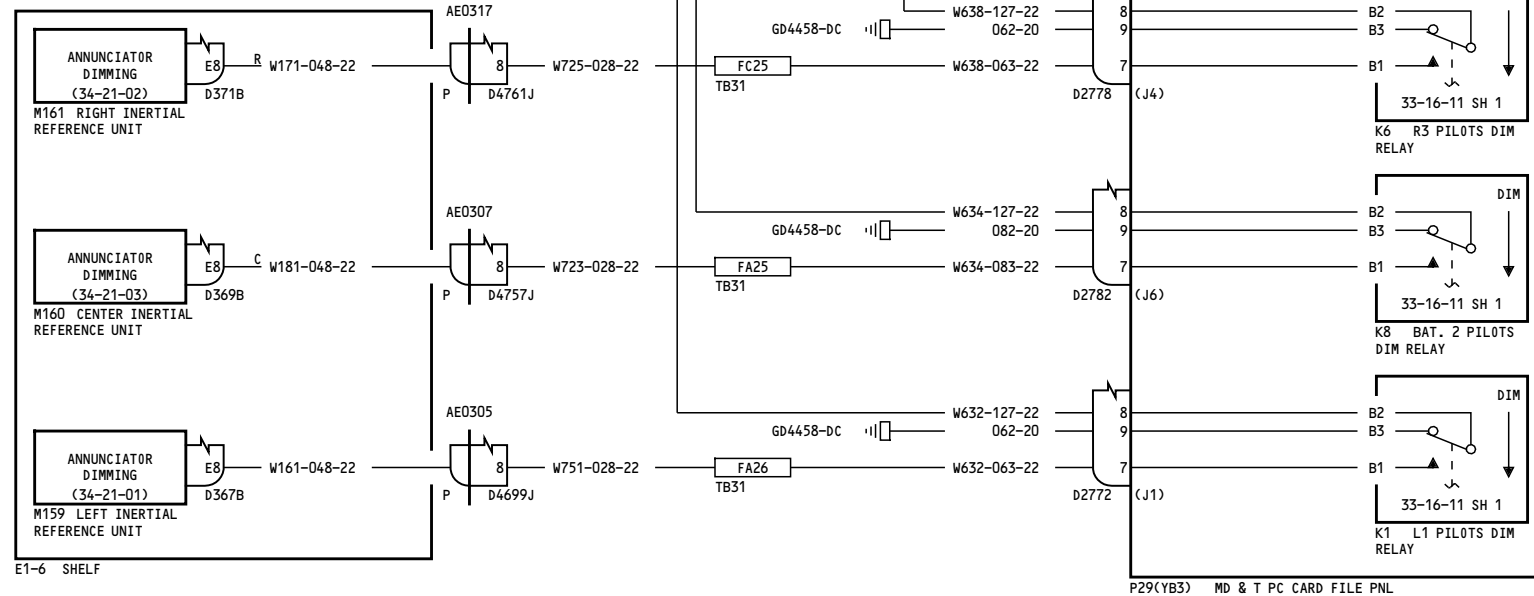
33-16-17

Page 9.1
Sheet 5
Mar 09/2006





NOTES: TYPICAL ANNUNCIATOR CONFIGURATION FOR EACH INERTIAL REFERENCE SYSTEM IN M59 PNL (P5) (SHOWN FOR REFERENCE ONLY)



276-280

MASTER DIM & TEST-PILOTS OVERHEAD & OVERHEAD CB PANEL

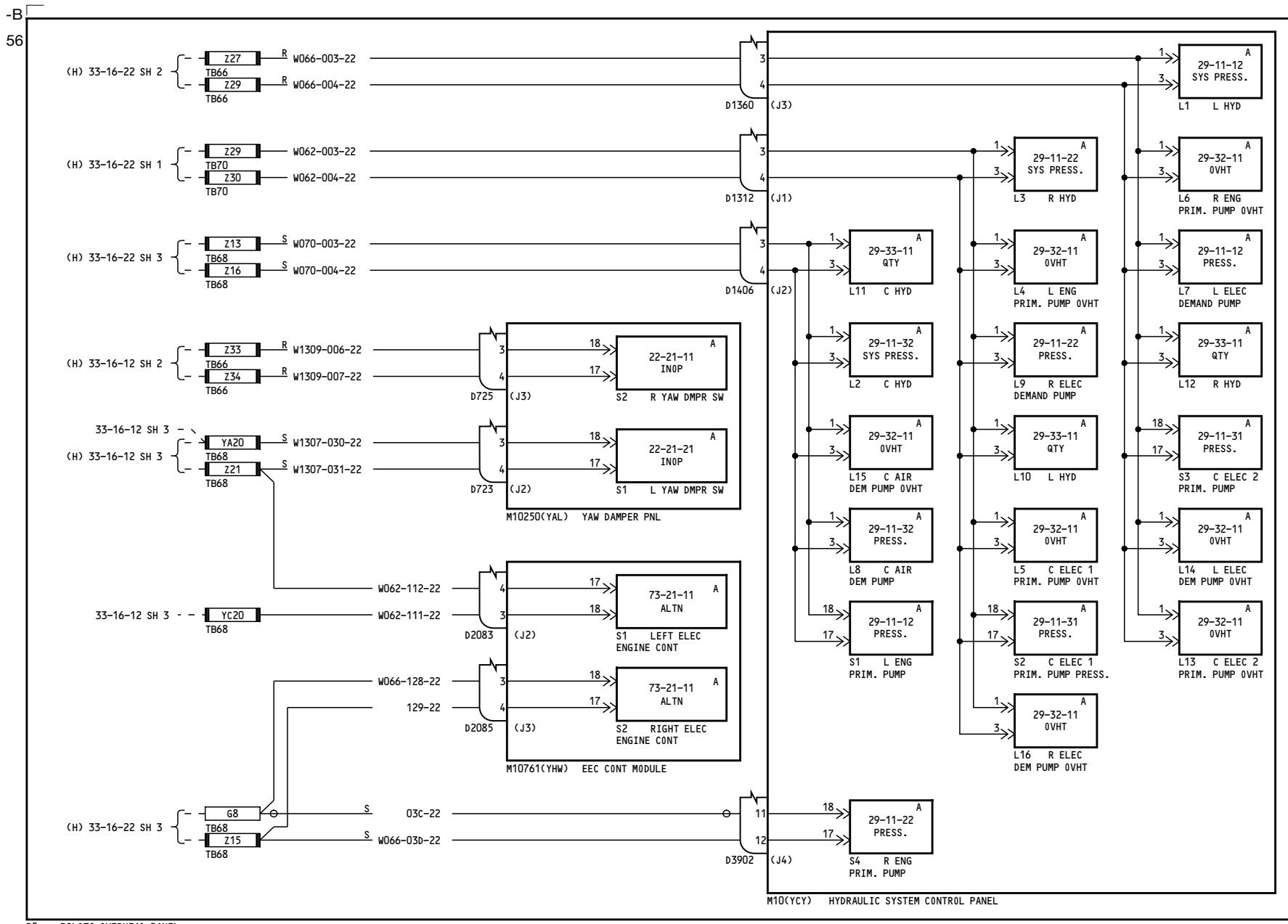
33-16-17

Page 10.1
Sheet 1
Mar 09/2006

D280T132

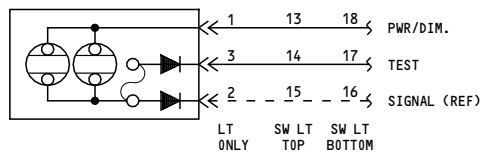
33-16-17

Page 10.1
Sheet 1
Mar 09/2006



P5 PILOTS OVERHEAD PANEL

NOTES: TYPICAL ANNUNCIATOR
CONFIGURATION EXCEPT WHERE SHOWN
OTHERWISE (SHOWN FOR REFERENCE ONLY):



276-280

**MASTER DIM & TEST-
PILOTS OVERHEAD &
OVERHEAD CB PANEL**

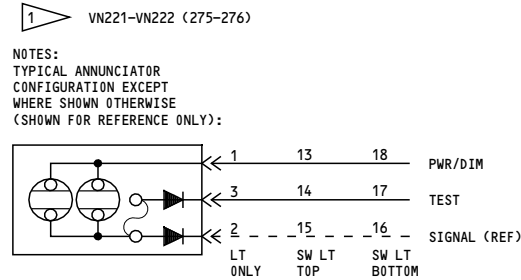
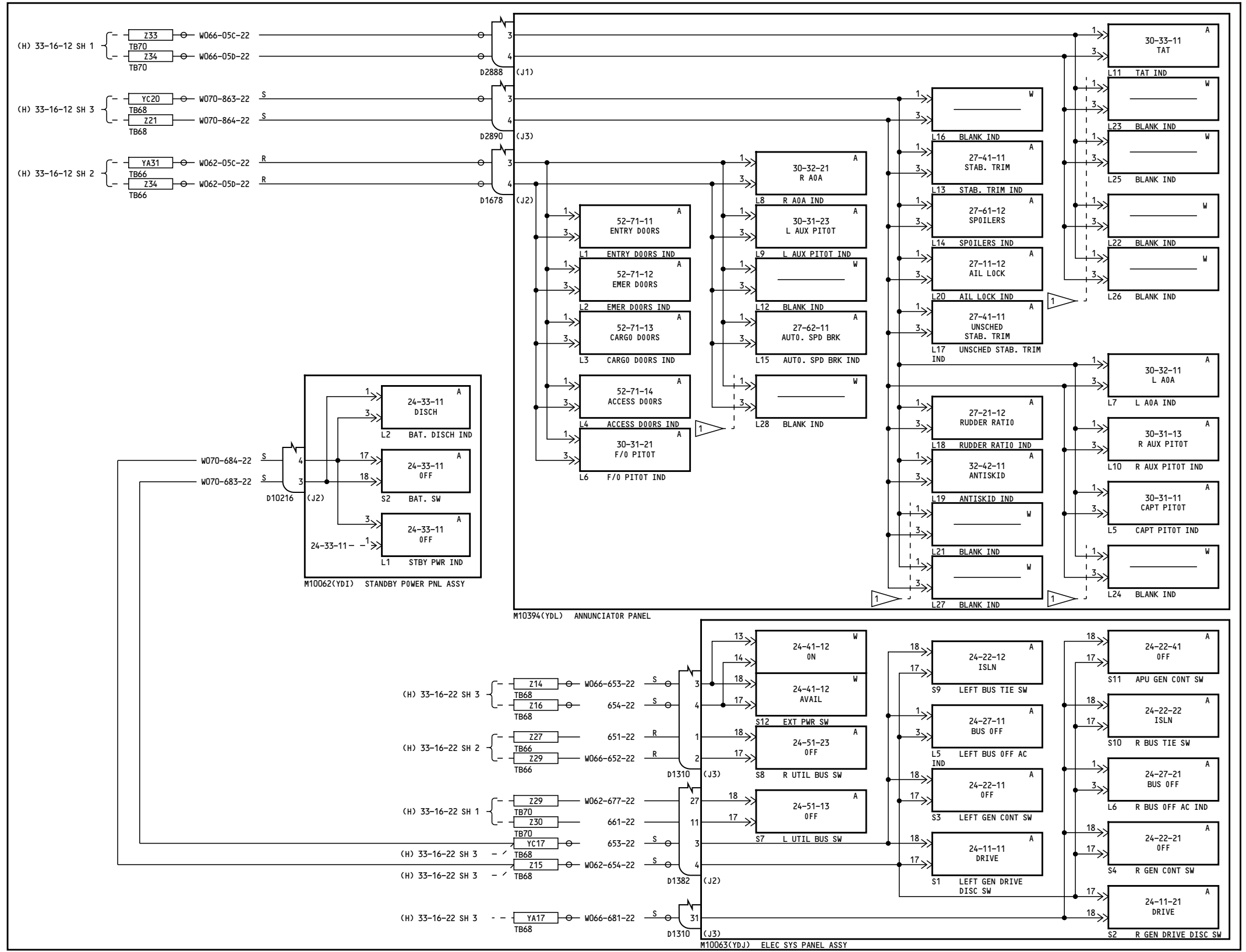
D280T132

33-16-17

Page 10.1
Sheet 2
Mar 09/2006

33-16-17

Page 10.1
Sheet 2
Mar 09/2006



276-280

MASTER DIM & TEST-PILOTS OVERHEAD & OVERHEAD CB PANEL

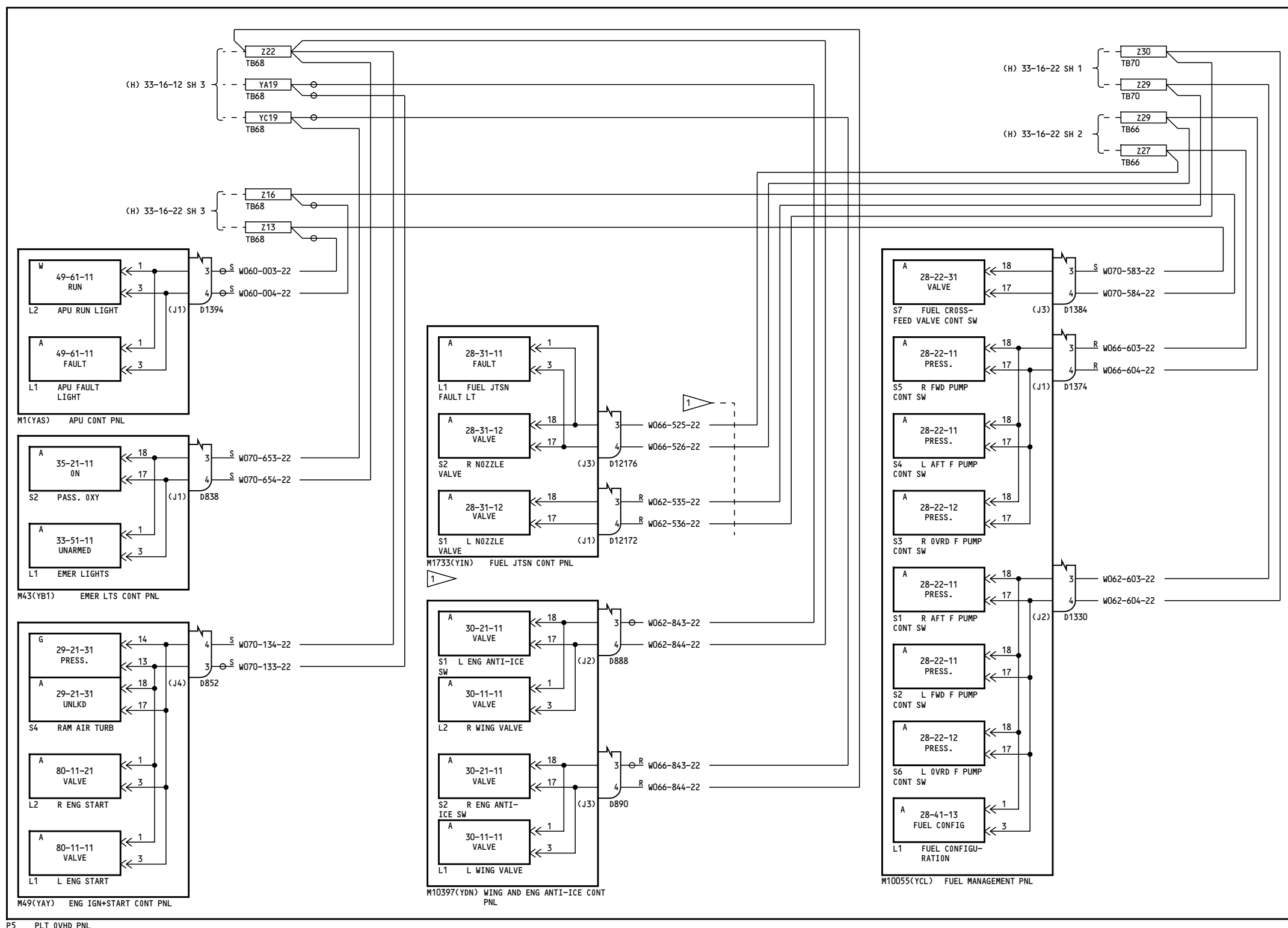
33-16-17

Page 10.1
Sheet 3
Mar 09/2006

D280T132

33-16-17

Page 10.1
Sheet 3
Mar 09/2006



1 VN222-VN230, VN671-VN675 (276-999)

276-280

MASTER DIM & TEST-PILOTS OVERHEAD & OVERHEAD CB PANEL

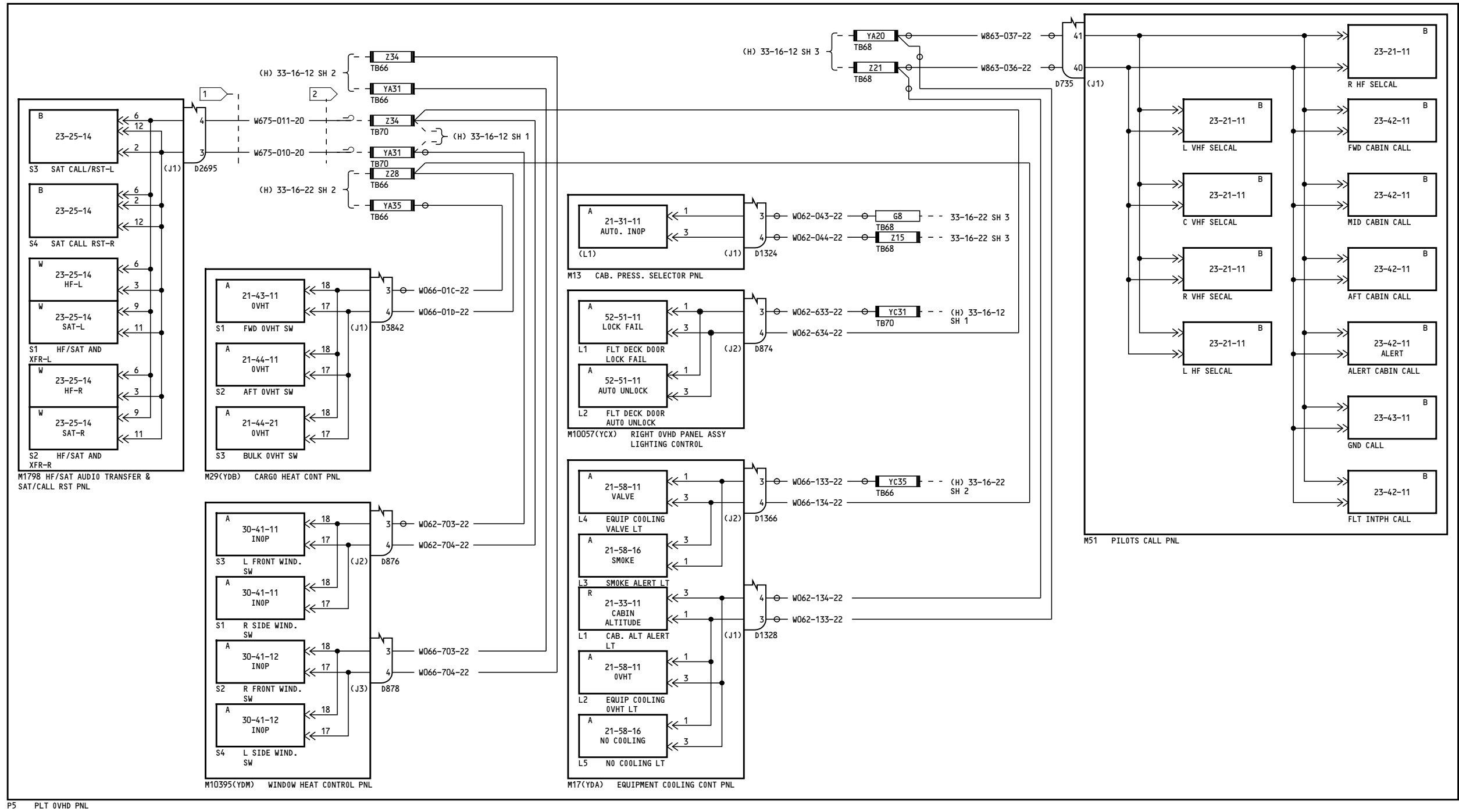
D280T132

33-16-17

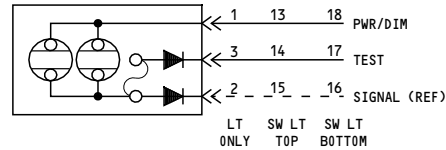
Page 10.1
Sheet 4
Mar 09/2006

33-16-17

Page 10.1
Sheet 4
Mar 09/2006



NOTES: TYPICAL ANNUNCIATOR CONFIGURATION EXCEPT WHERE SHOWN OTHERWISE (SHOWN FOR REFERENCE ONLY):



NOTES:
1 VN223-VN230, VN671-VN675 (275-999)

2 CAP & STOW NEAR TB70

276-280

MASTER DIM & TEST-PILOTS OVERHEAD & OVERHEAD CB PANEL

D280T132

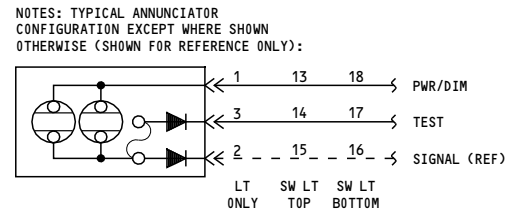
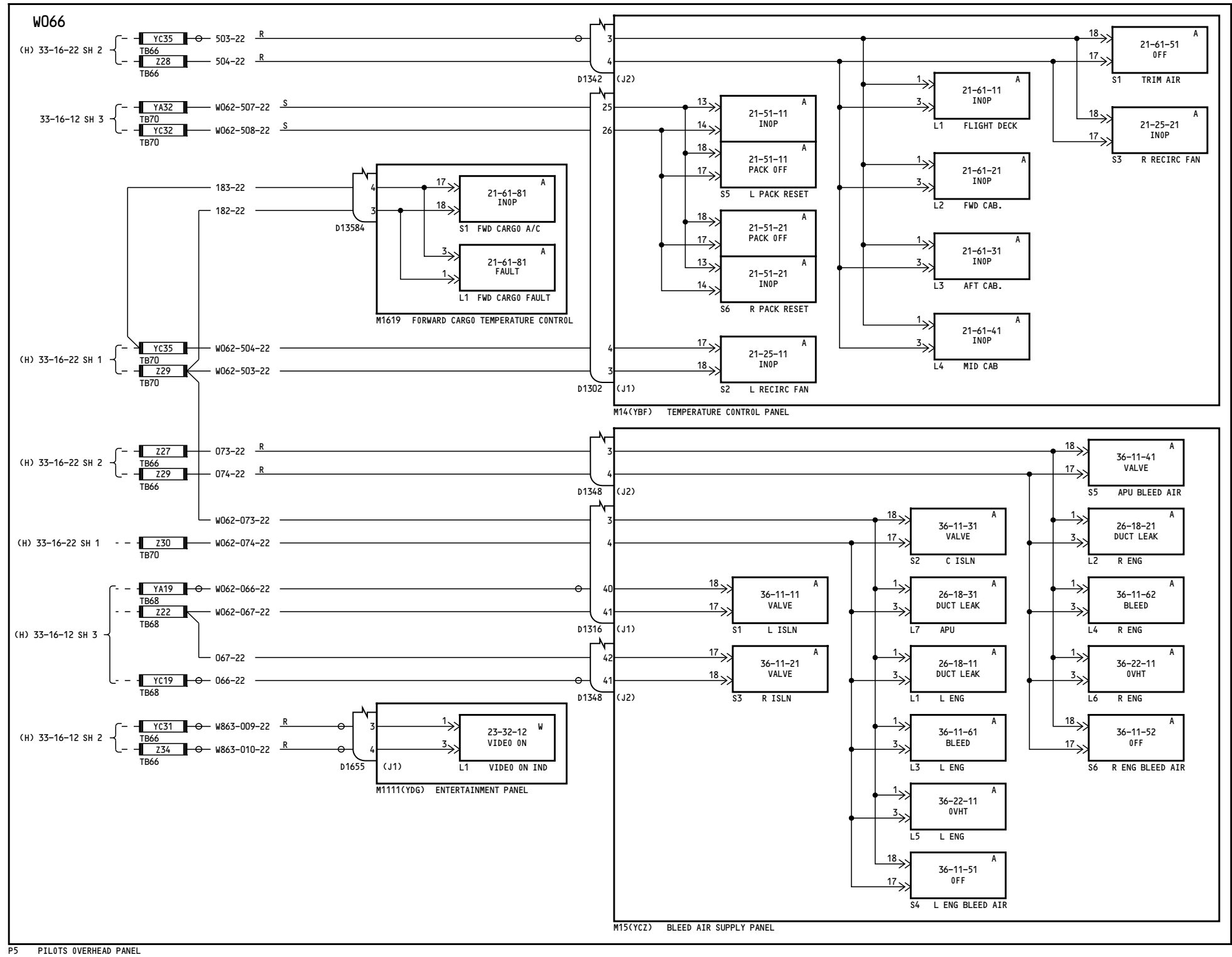
33-16-17

Page 10.1
Sheet 5
Mar 09/2006

Incorporates
25-0325

33-16-17

Page 10.1
Sheet 5
Mar 09/2006



276-280

MASTER DIM & TEST-PILOTS OVERHEAD & OVERHEAD CB PANEL

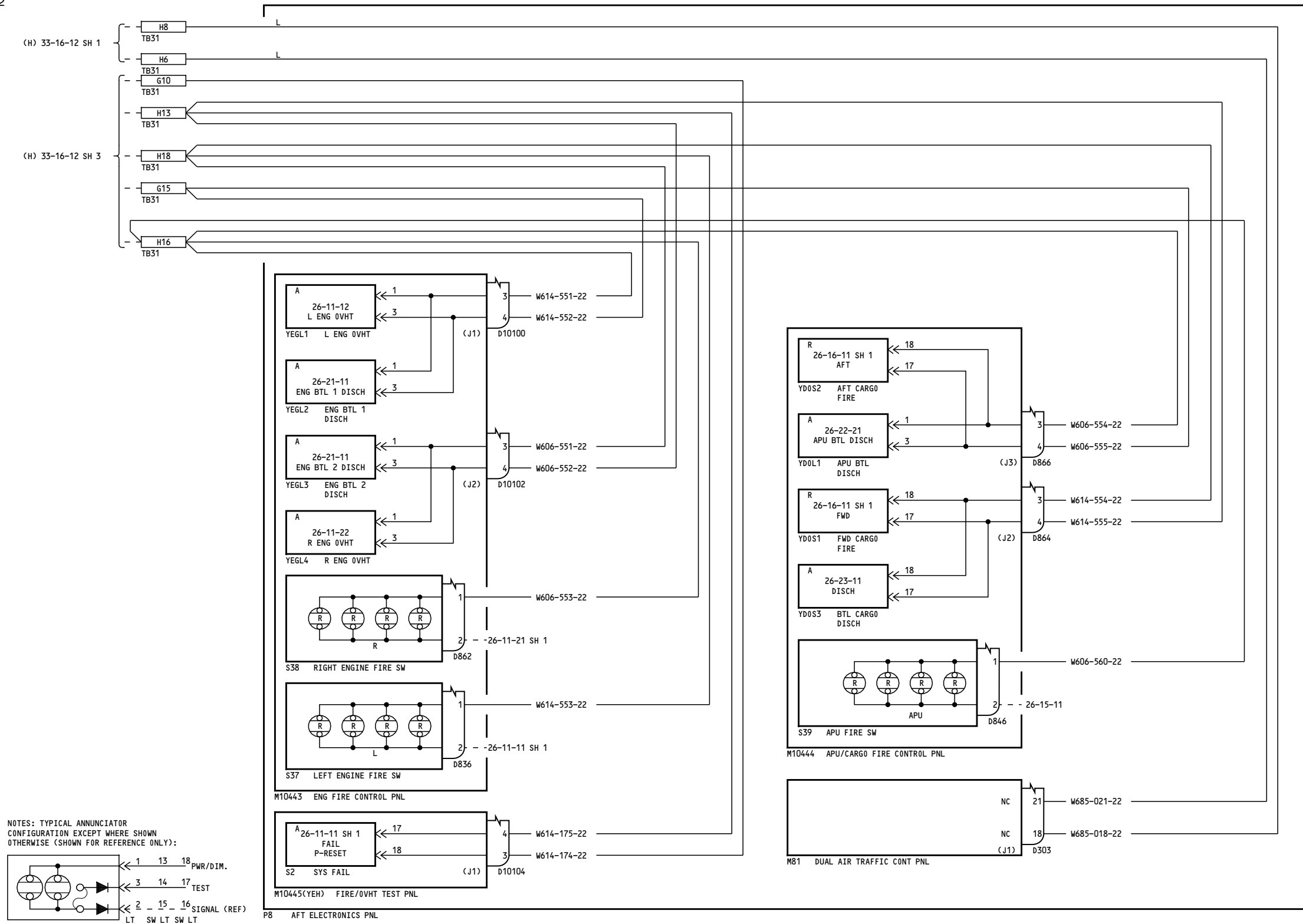
33-16-17

Page 10.1
Sheet 6
Mar 09/2006

D280T132

33-16-17

Page 10.1
Sheet 6
Mar 09/2006



050-099, 155-166

MASTER DIM & TEST-CONTROL STAND ELECTRONIC PANELS

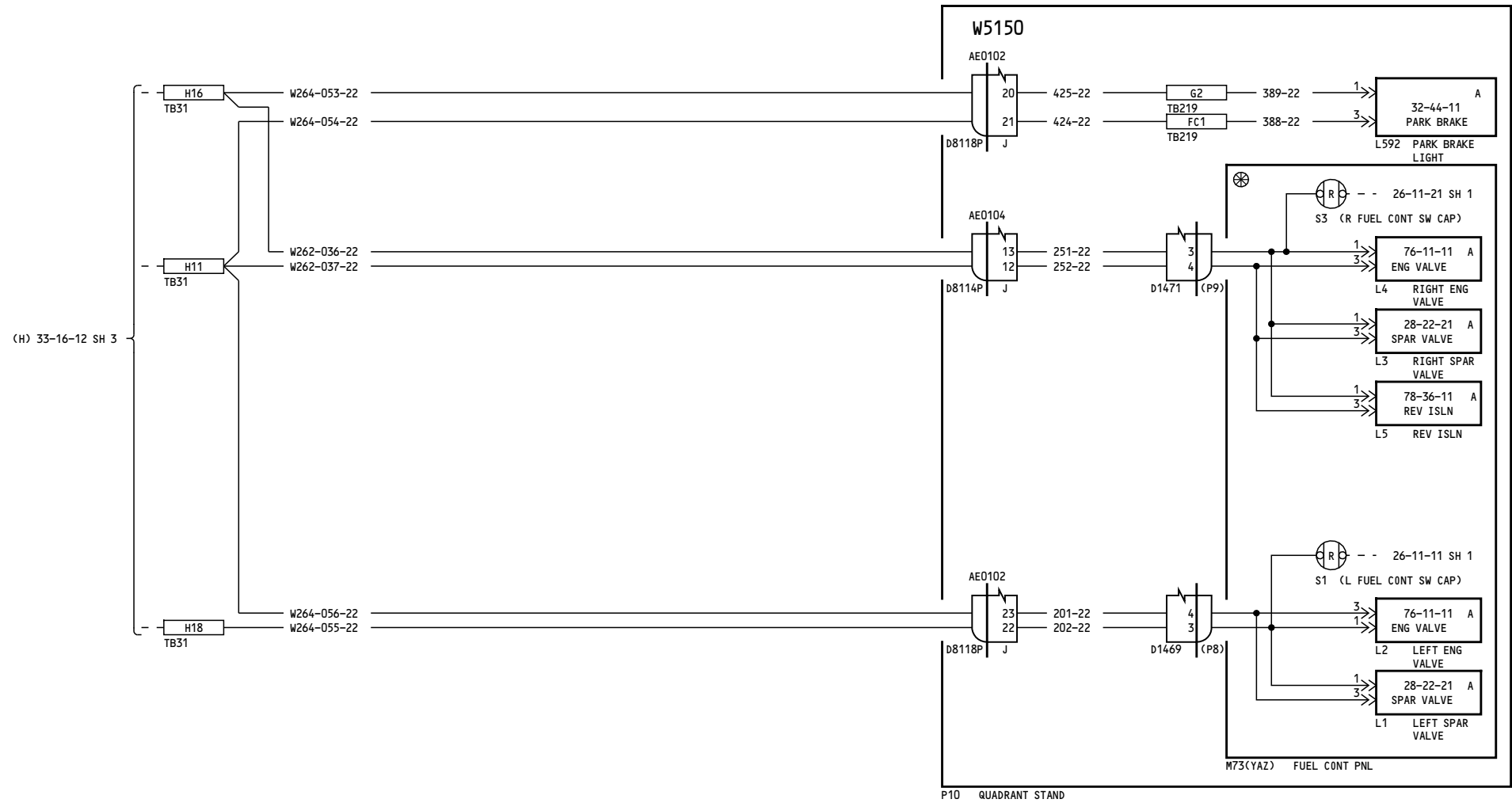
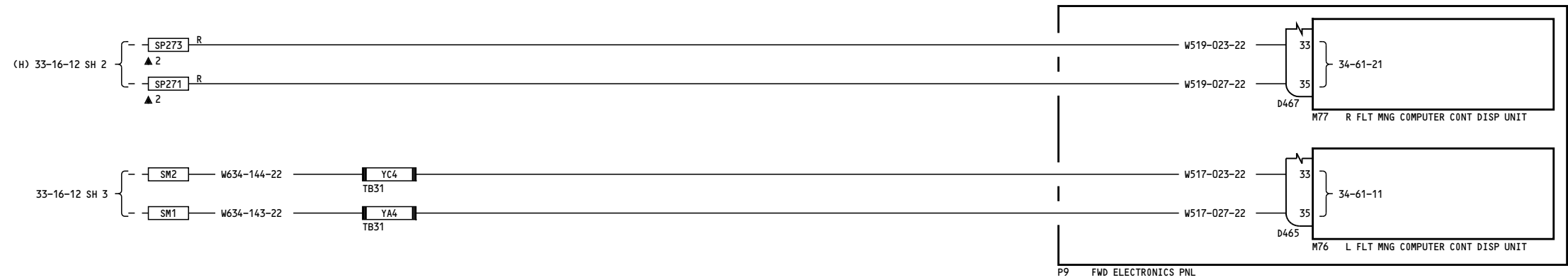
33-16-18

Page 1
Sheet 1
Jan 21/2005

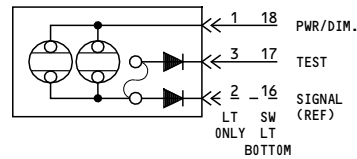
D280T132

33-16-18

Page 1
Sheet 1
Jan 21/2005



NOTES:
ALL ANNUNCIATORS ON THIS PAGE
HAVE CONFIGURATION AS SHOWN
BELOW EXCEPT WHERE INDICATED
OTHERWISE:



050-099, 155-166

MASTER DIM & TEST-
CONTROL STAND ELECTRONIC
PANELS

D280T132

33-16-18

Page 1
Sheet 2
Jan 21/2005

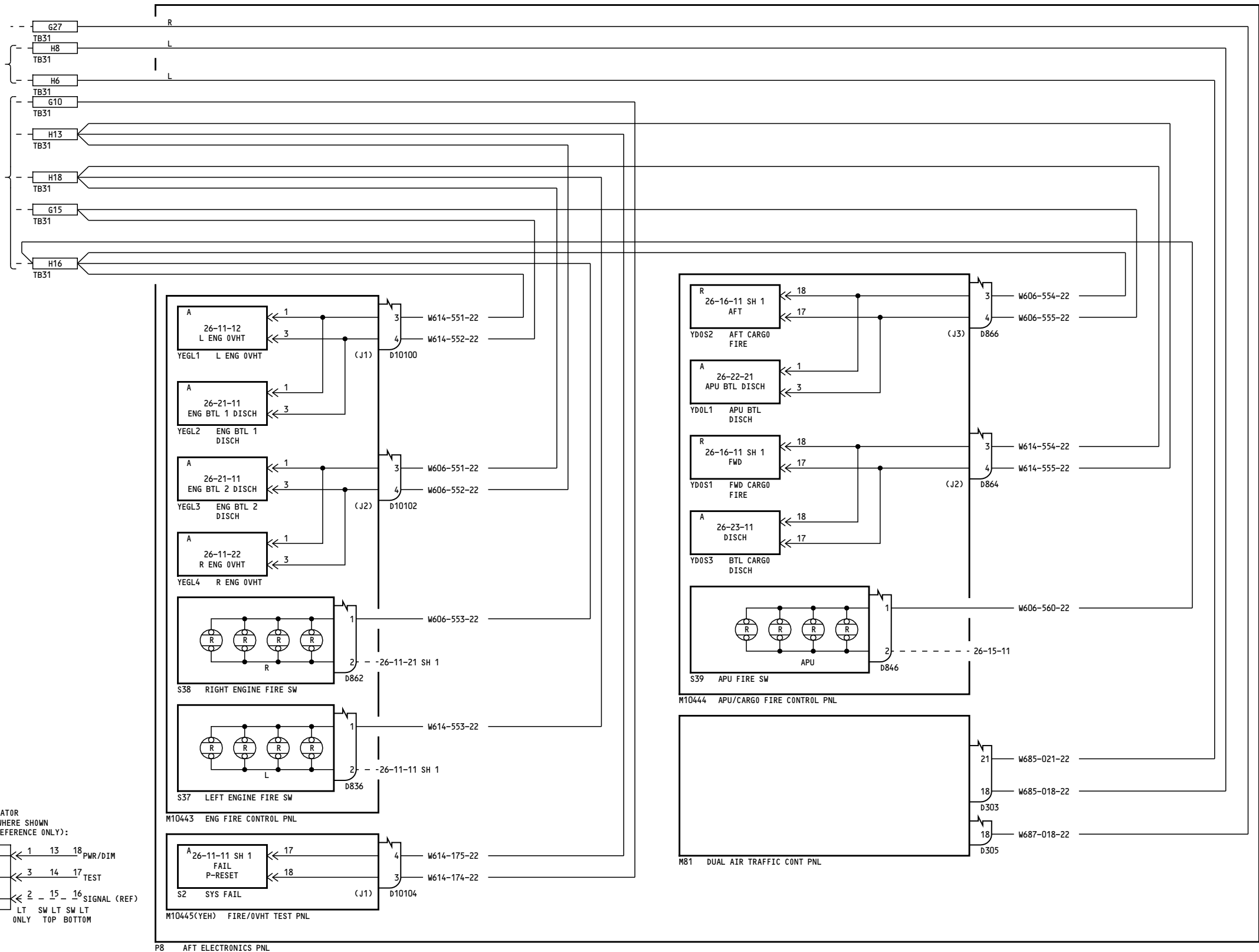
33-16-18

Page 1
Sheet 2
Jan 21/2005

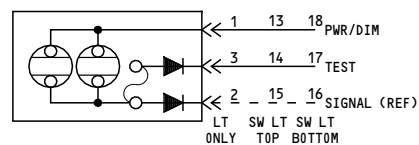
38 (H) 33-16-12 SH 2

(H) 33-16-12 SH 1

(H) 33-16-12 SH 3



NOTES: TYPICAL ANNUNCIATOR
CONFIGURATION EXCEPT WHERE SHOWN
OTHERWISE (SHOWN FOR REFERENCE ONLY):



150-154

**MASTER DIM & TEST-
CONTROL STAND ELECTRONIC
PANELS**

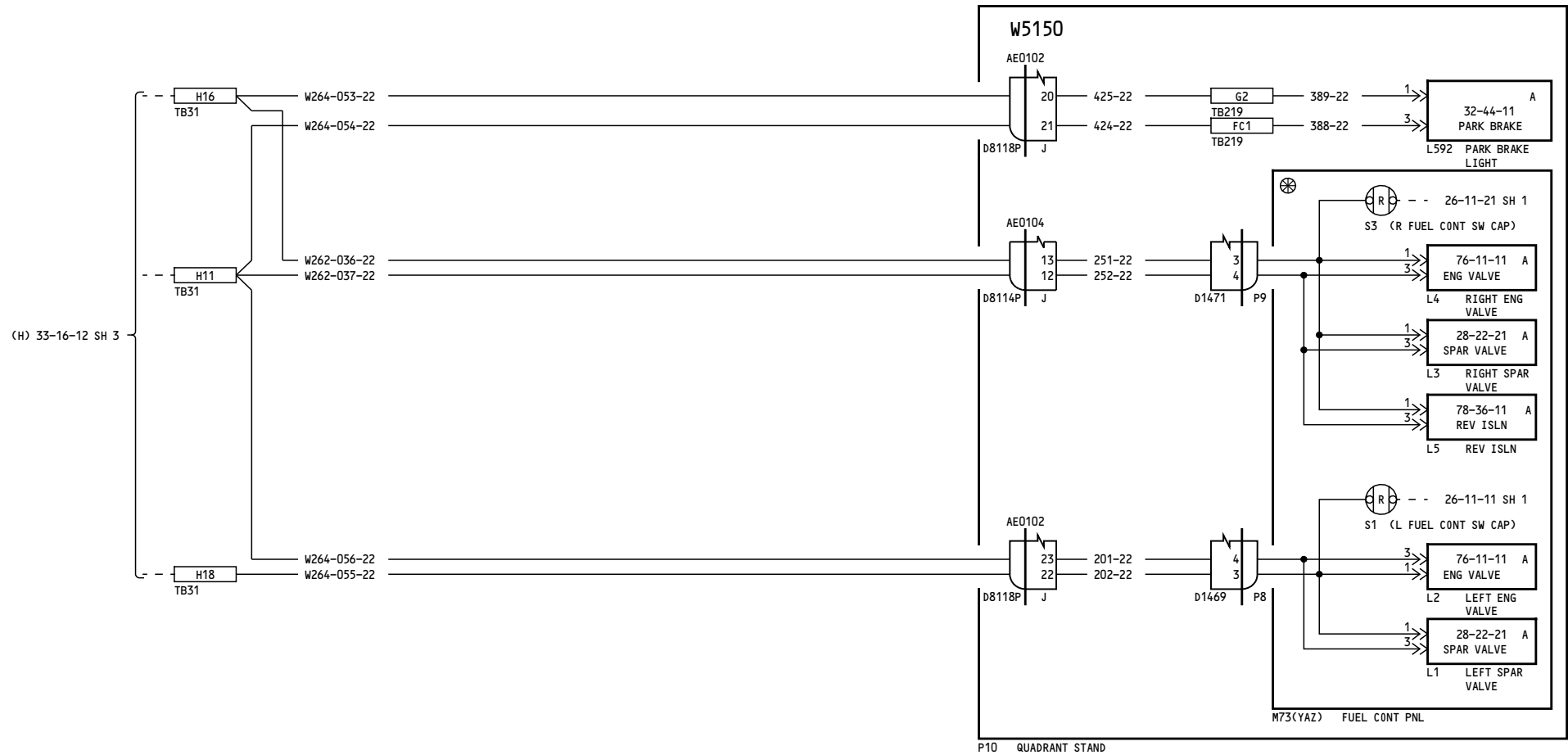
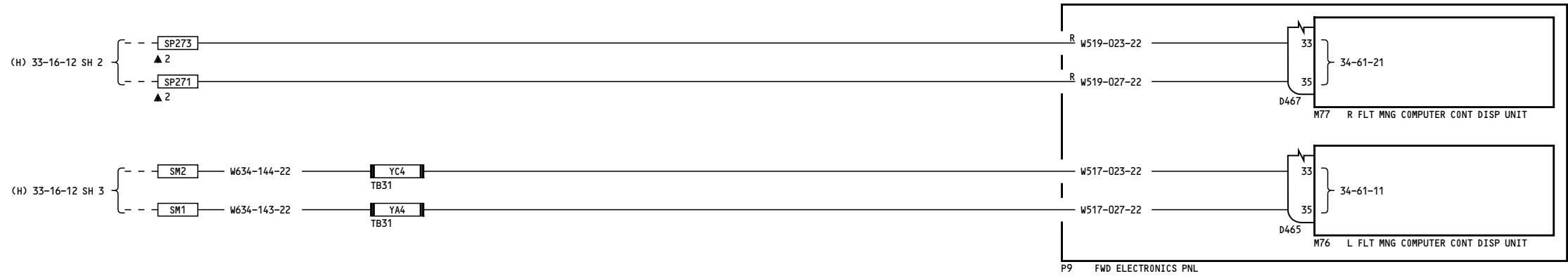
D280T132

33-16-18

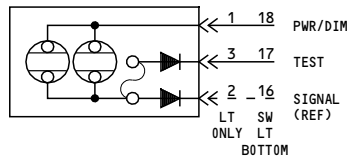
Page 2
Sheet 1
Jan 21/2005

33-16-18

Page 2
Sheet 1
Jan 21/2005



NOTES:
ALL ANNUNCIATORS ON THIS PAGE
HAVE CONFIGURATION AS SHOWN
BELOW EXCEPT WHERE INDICATED
OTHERWISE:



150-154

**MASTER DIM & TEST-
CONTROL STAND ELECTRONIC
PANELS**

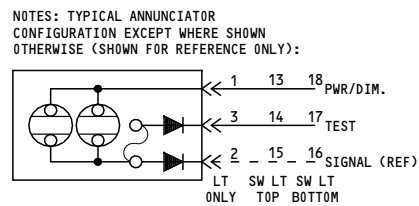
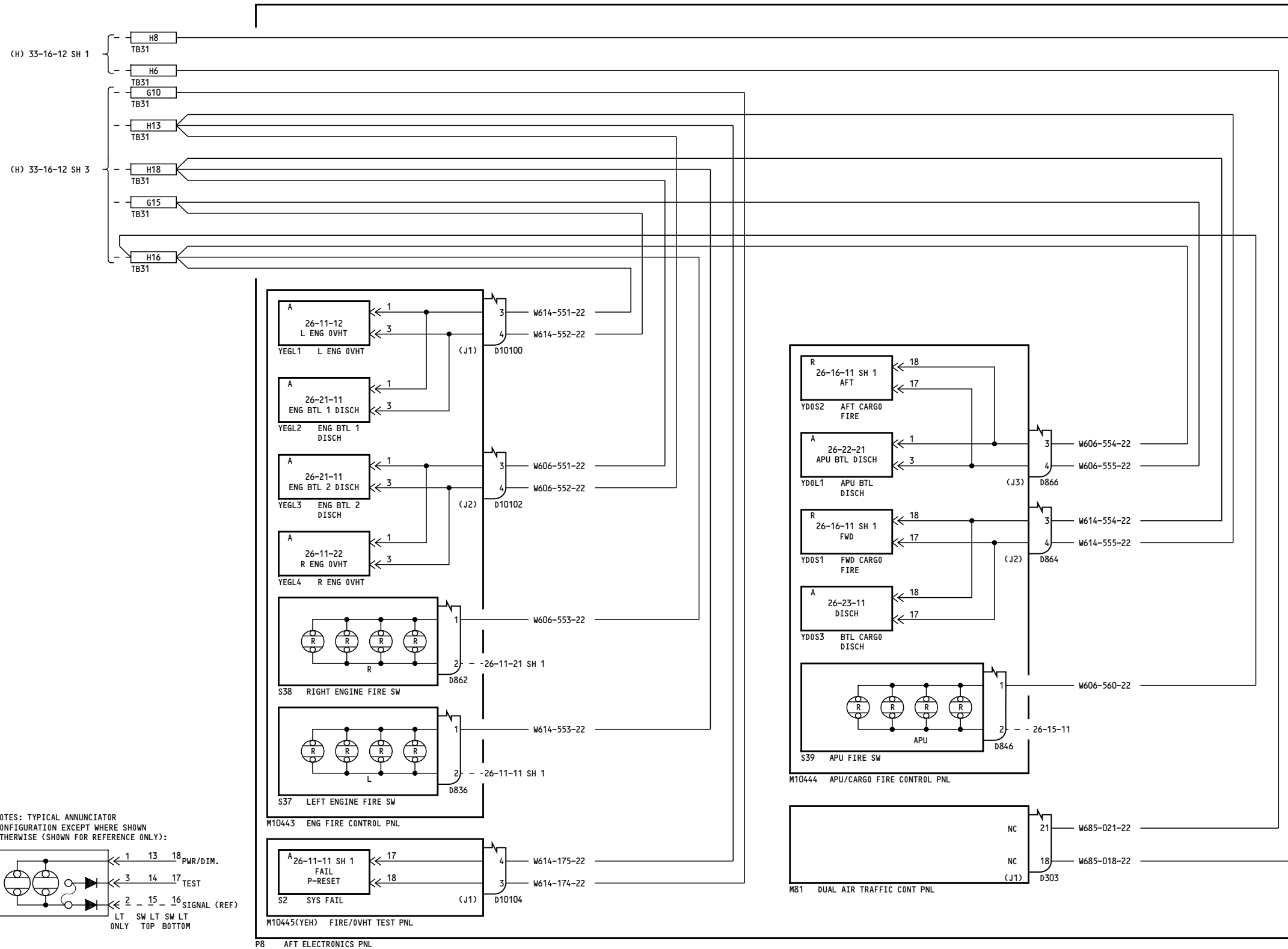
D280T132

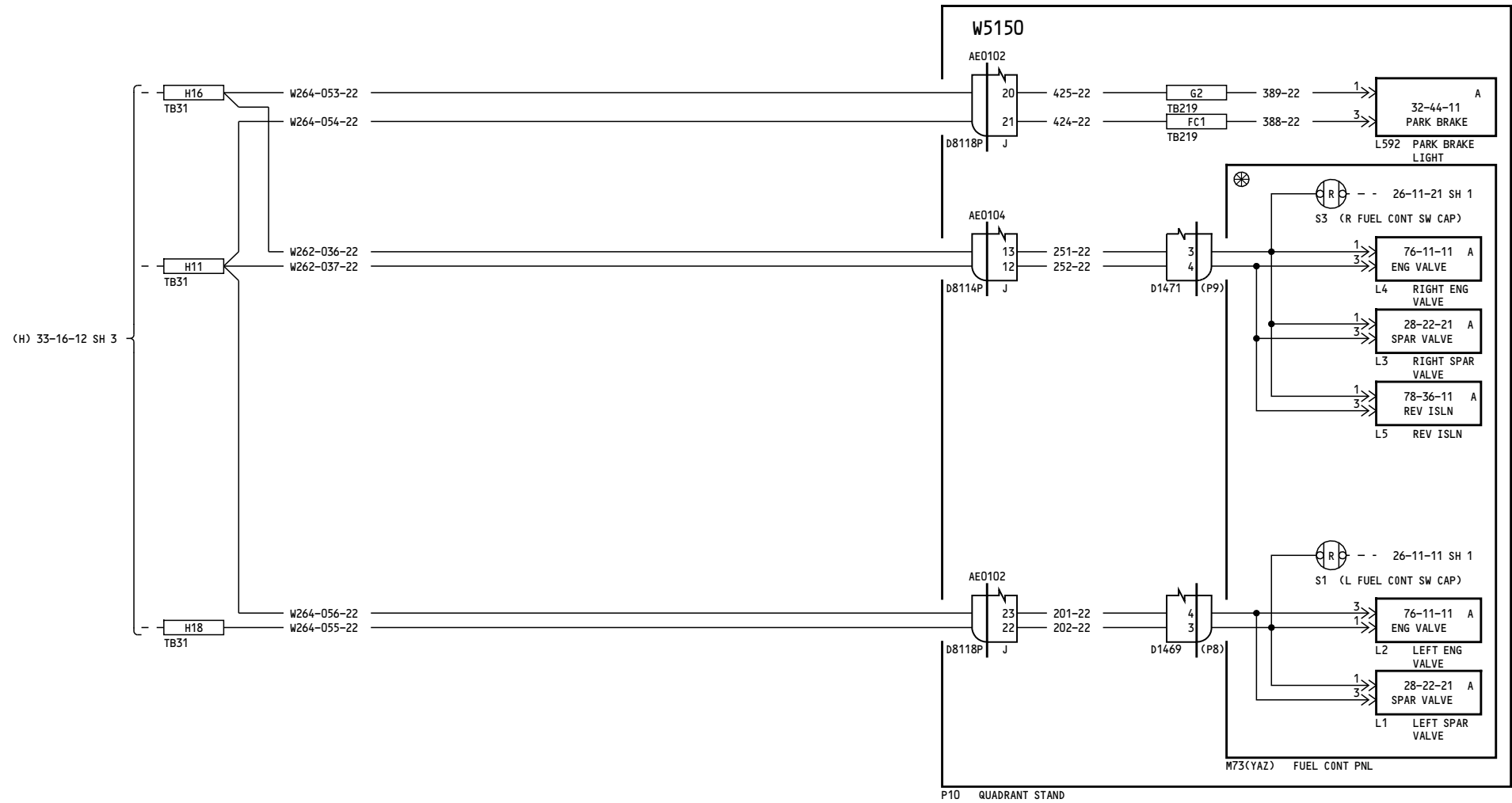
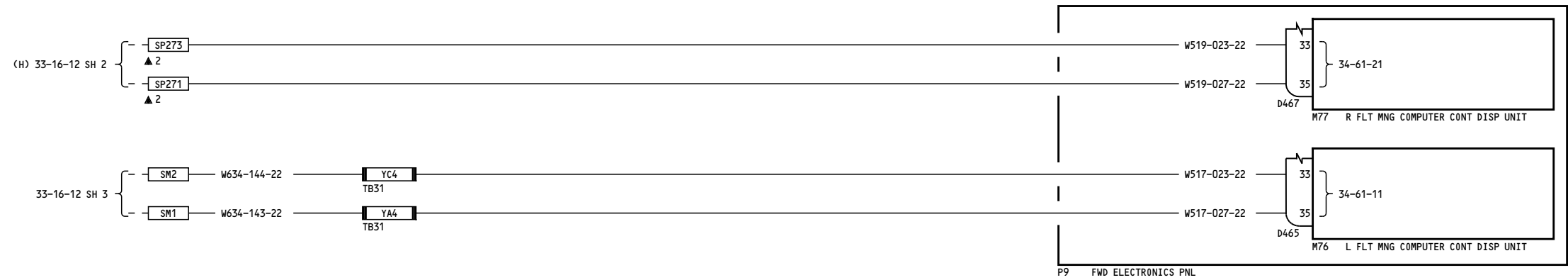
33-16-18

Page 2
Sheet 2
Jan 21/2005

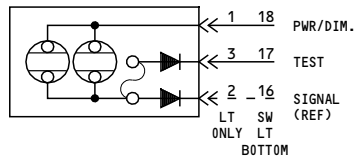
33-16-18

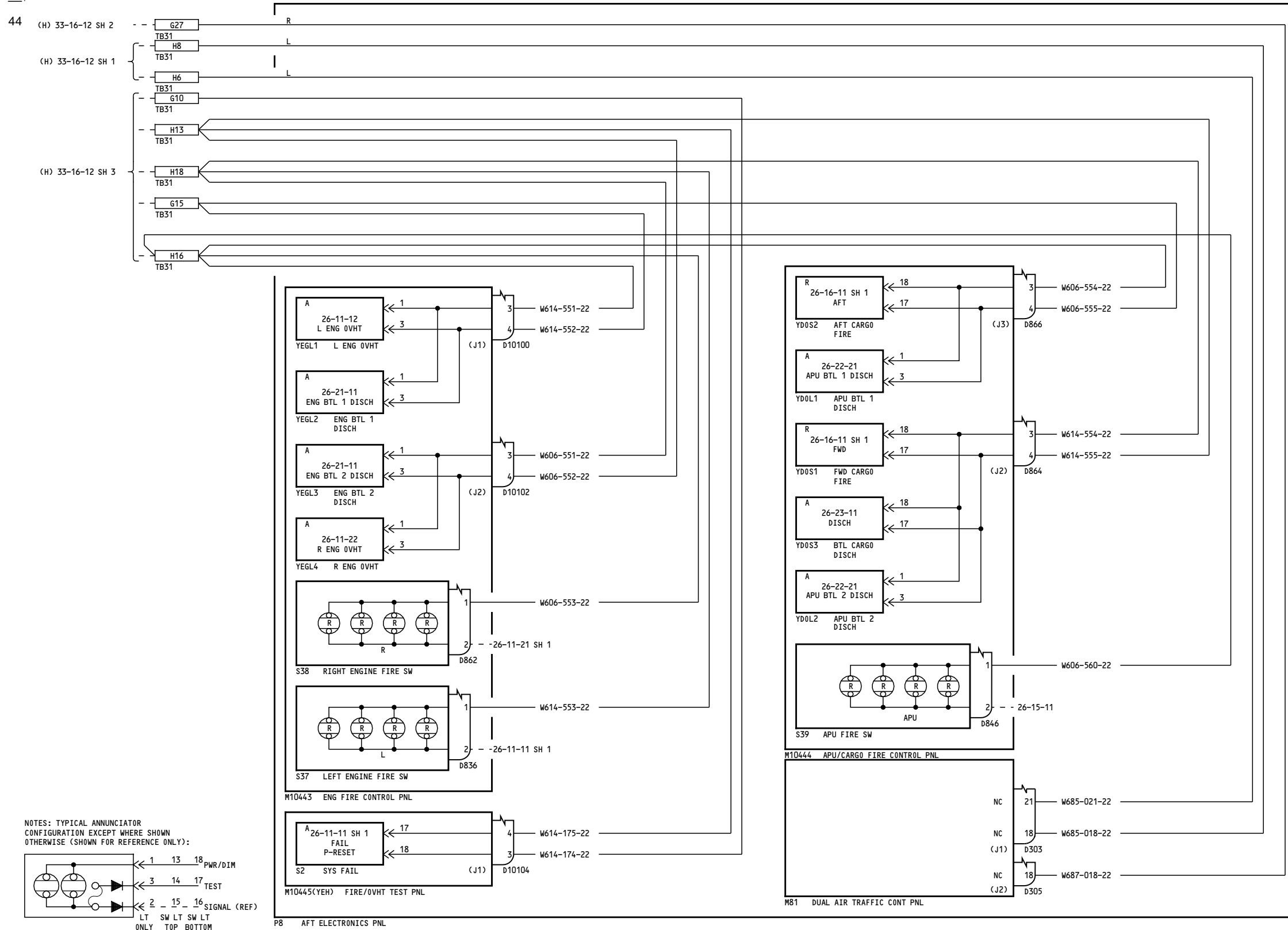
Page 2
Sheet 2
Jan 21/2005

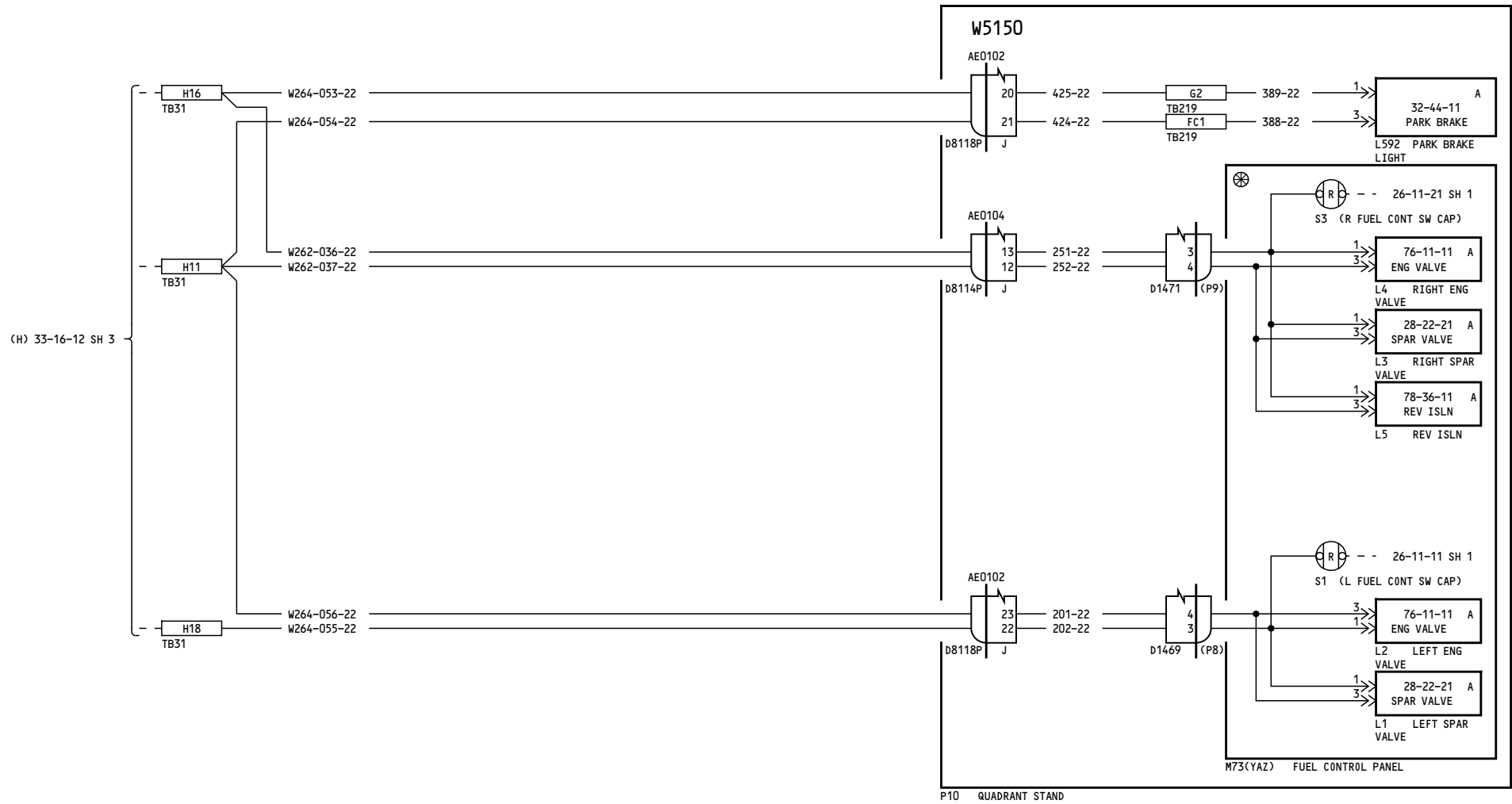
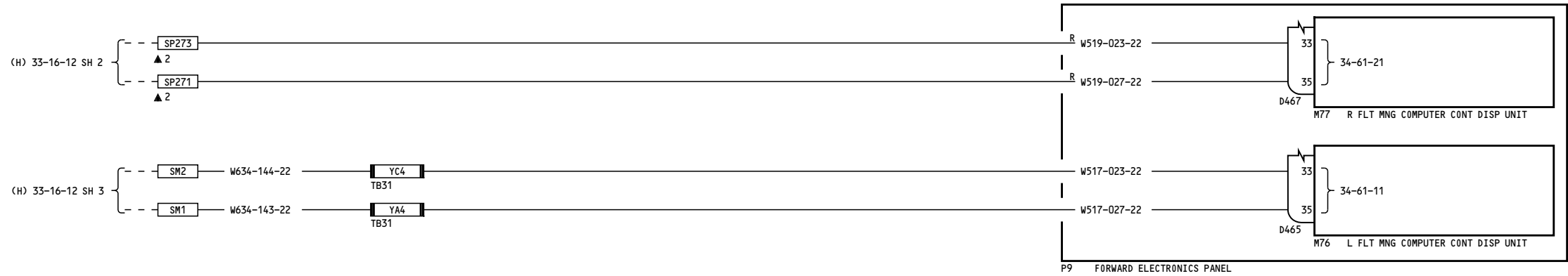




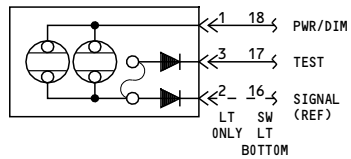
NOTES:
ALL ANNUNCIATORS ON THIS PAGE
HAVE CONFIGURATION AS SHOWN
BELOW EXCEPT WHERE INDICATED
OTHERWISE:



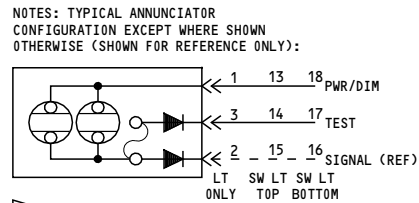
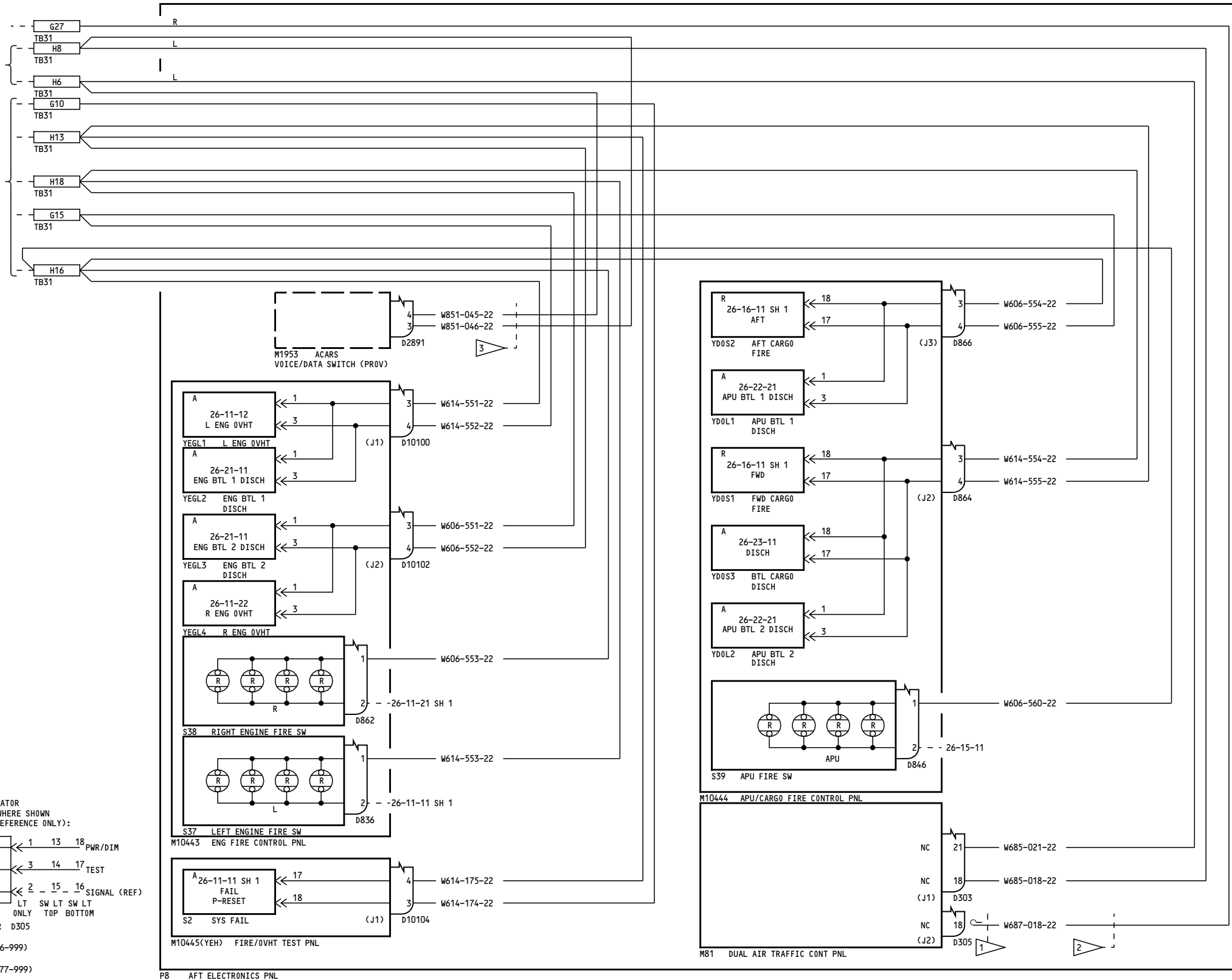




NOTES:
ALL ANNUNCIATORS ON THIS PAGE
HAVE CONFIGURATION AS SHOWN
BELOW EXCEPT WHERE INDICATED
OTHERWISE:



51 (H) 33-16-12 SH 2
 (H) 33-16-12 SH 1
 (H) 33-16-12 SH 3



- 1 CAP & STOW NEAR D305
- 2 VN222-VN230(276-999)
- 3 VN223-VN230 (277-999)

276-299

MASTER DIM & TEST-CONTROL STAND ELECTRONIC PANELS

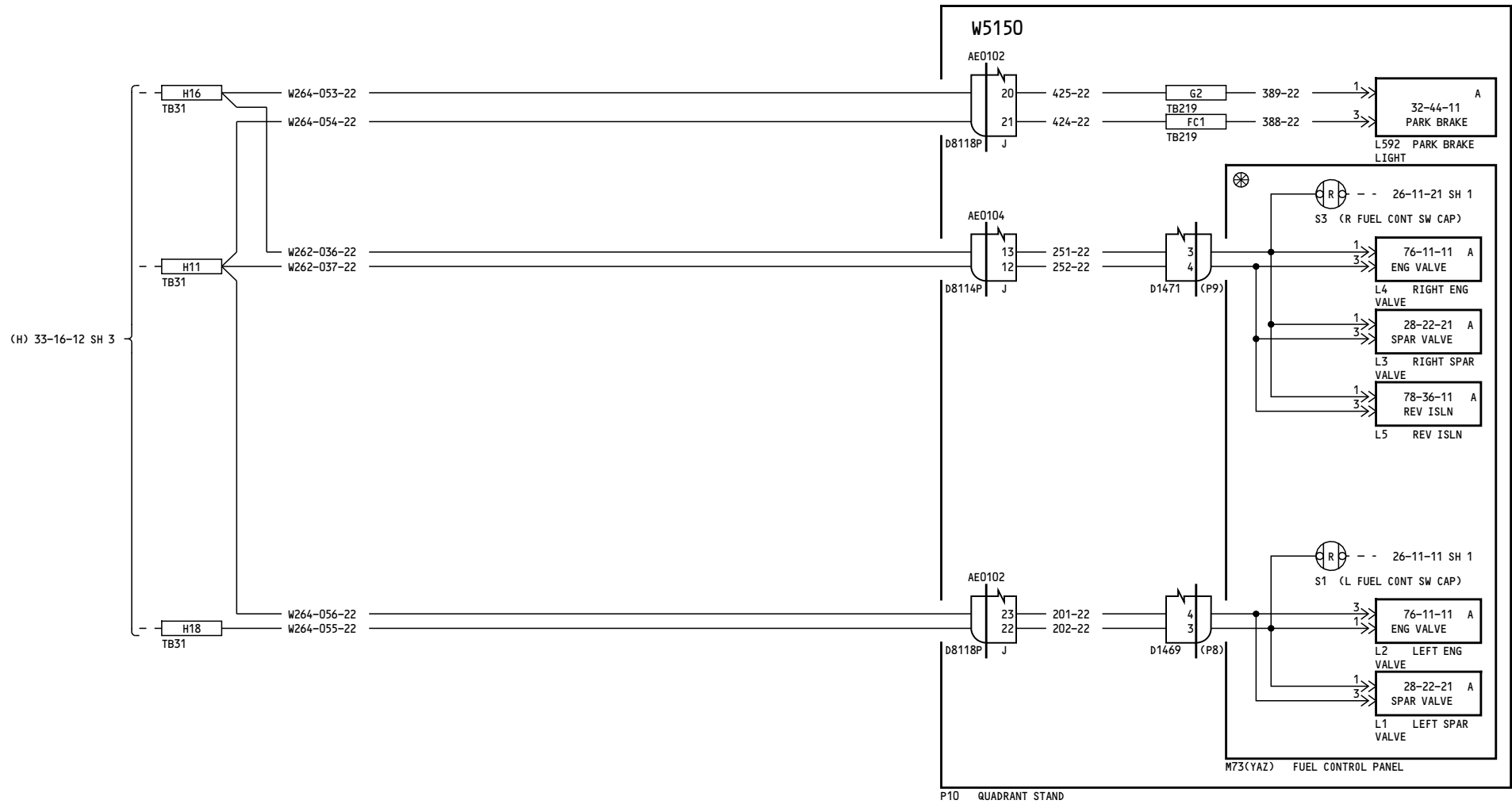
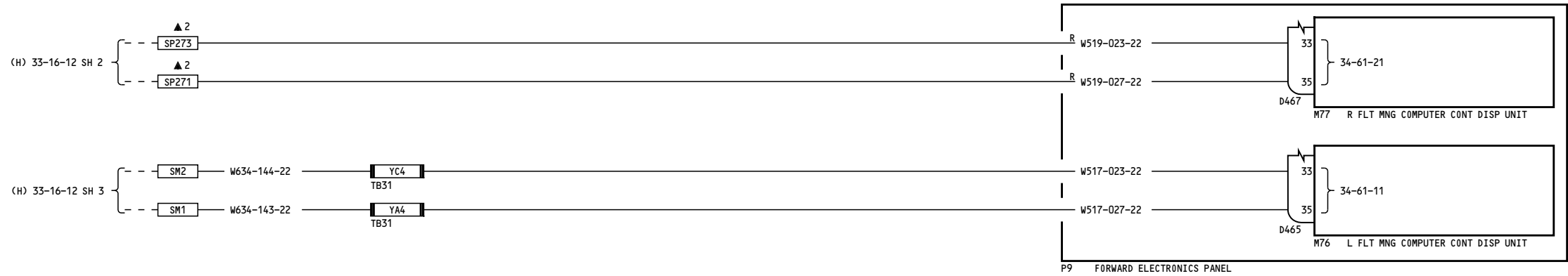
D280T132

33-16-18

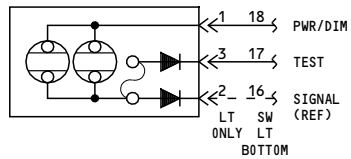
Page 5
Sheet 1
Jan 21/2005

33-16-18

Page 5
Sheet 1
Jan 21/2005



NOTES:
ALL ANNUNCIATORS ON THIS PAGE
HAVE CONFIGURATION AS SHOWN
BELOW EXCEPT WHERE INDICATED
OTHERWISE:



276-299

**MASTER DIM & TEST-
CONTROL STAND ELECTRONIC
PANELS**

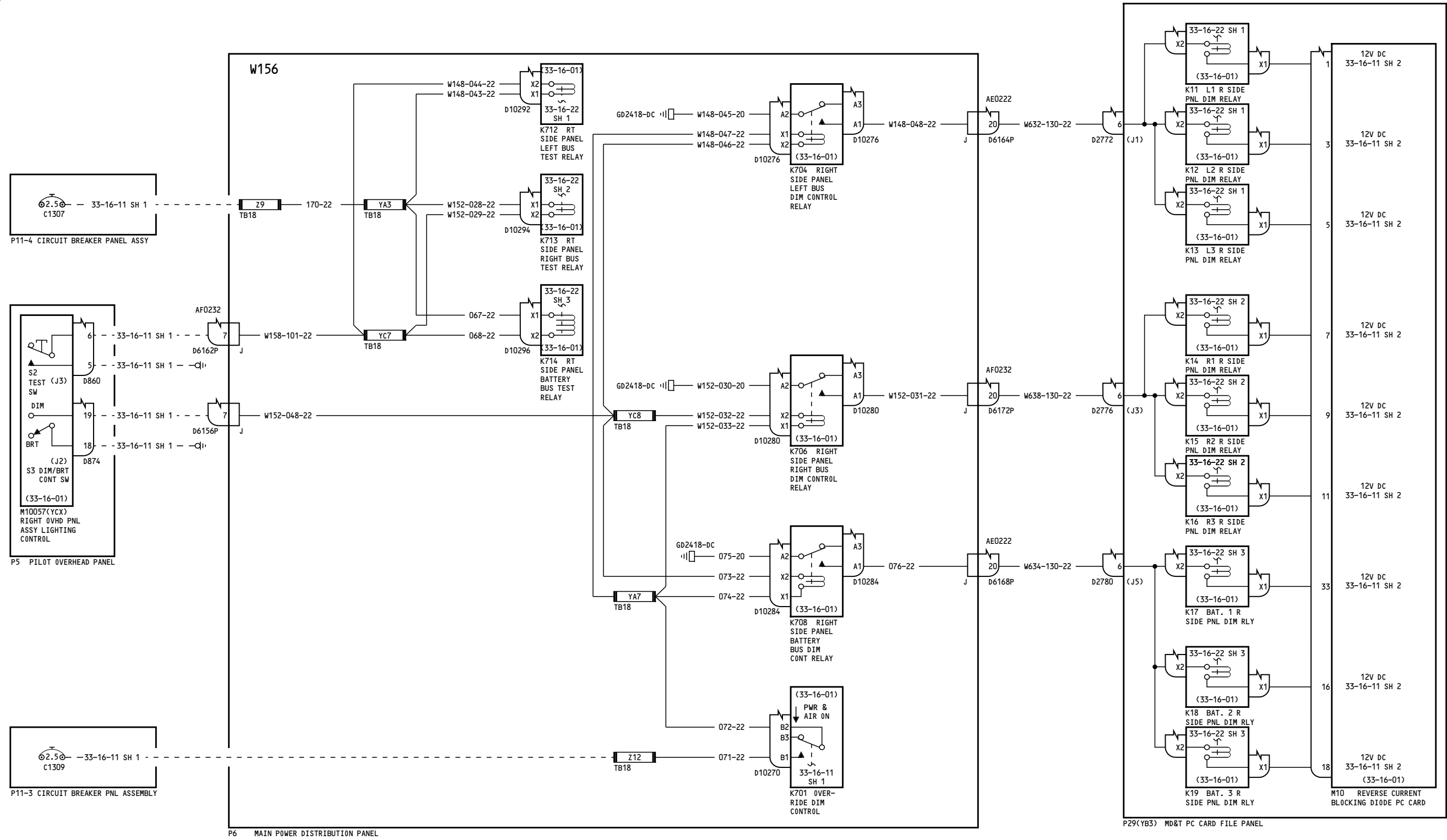
D280T132

33-16-18

Page 5
Sheet 2
Jan 21/2005

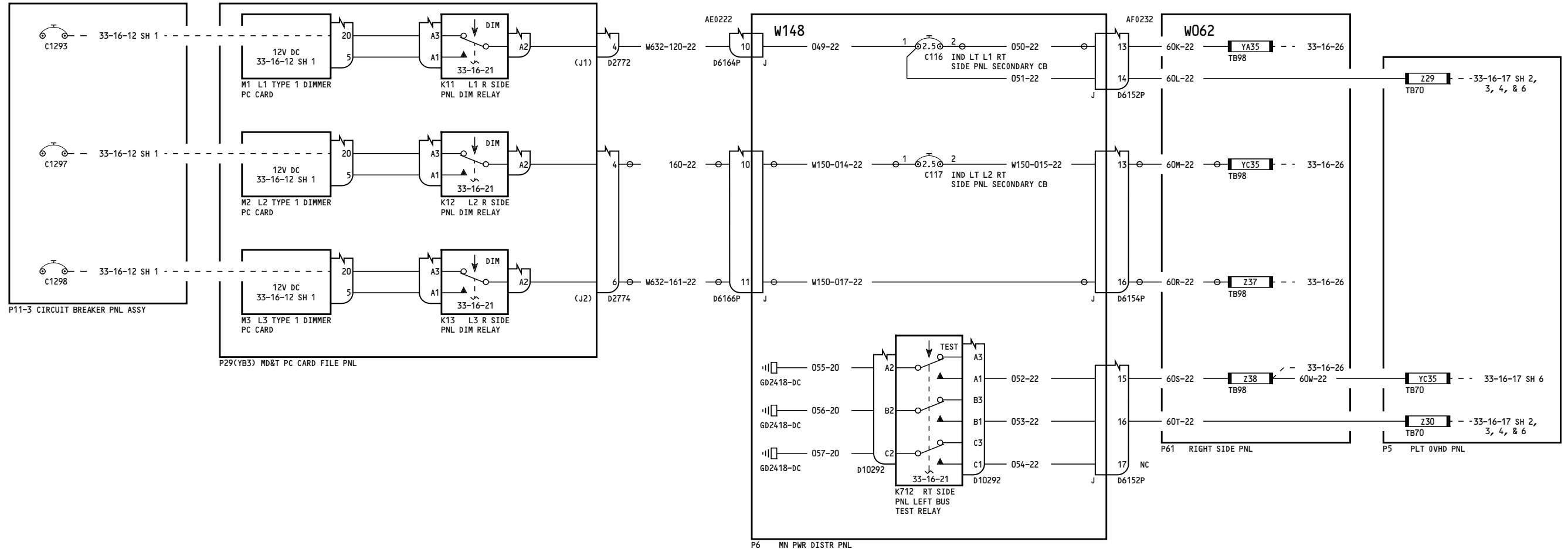
33-16-18

Page 5
Sheet 2
Jan 21/2005



| | |
|-----|------------------------------------------------------------|
| ALL | MASTER DIM & TEST- RIGHT SIDE PANEL CONTROL |
| | 33-16-21 |
| | Page 1 |
| | D280T132 |
| | Jan 21/2005 |

| |
|-----------------|
| 33-16-21 |
| Page 1 |
| Jan 21/2005 |



ALL

**MASTER DIM & TEST-
RIGHT SIDE PANEL POWER &
GROUND DISTRIBUTION**

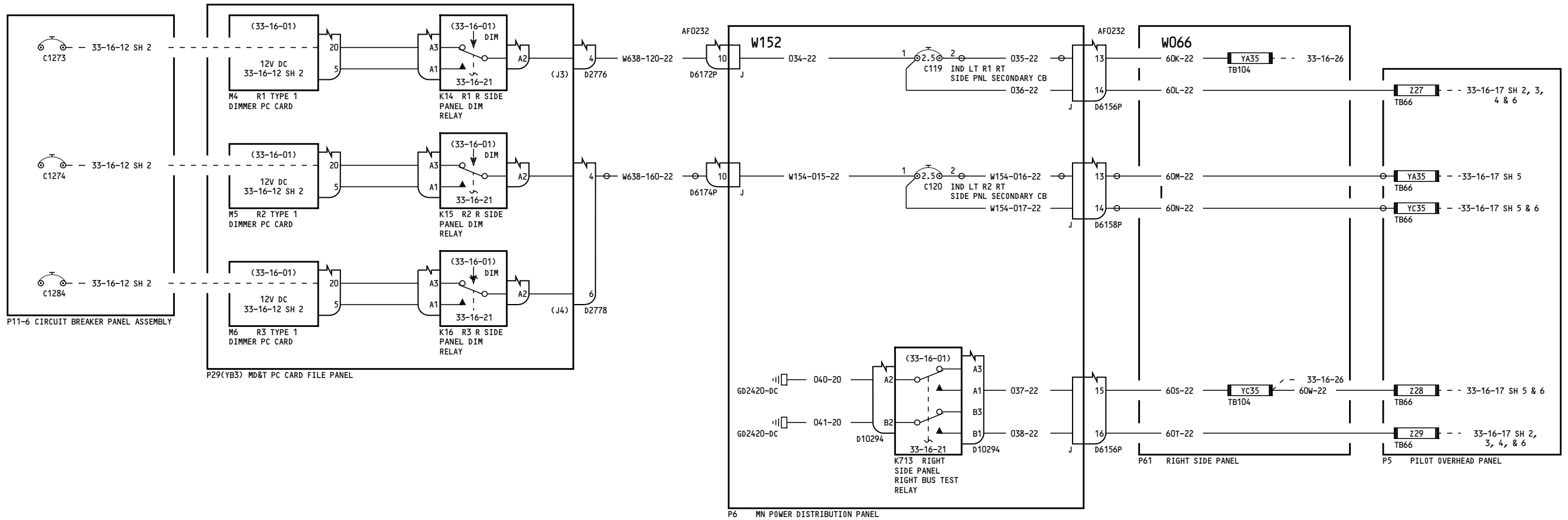
D280T132

33-16-22

Page 1
Sheet 1
Jan 21/2005

33-16-22

Page 1
Sheet 1
Jan 21/2005



ALL

**MASTER DIM & TEST-
RIGHT SIDE PANEL POWER &
GROUND DISTRIBUTION**

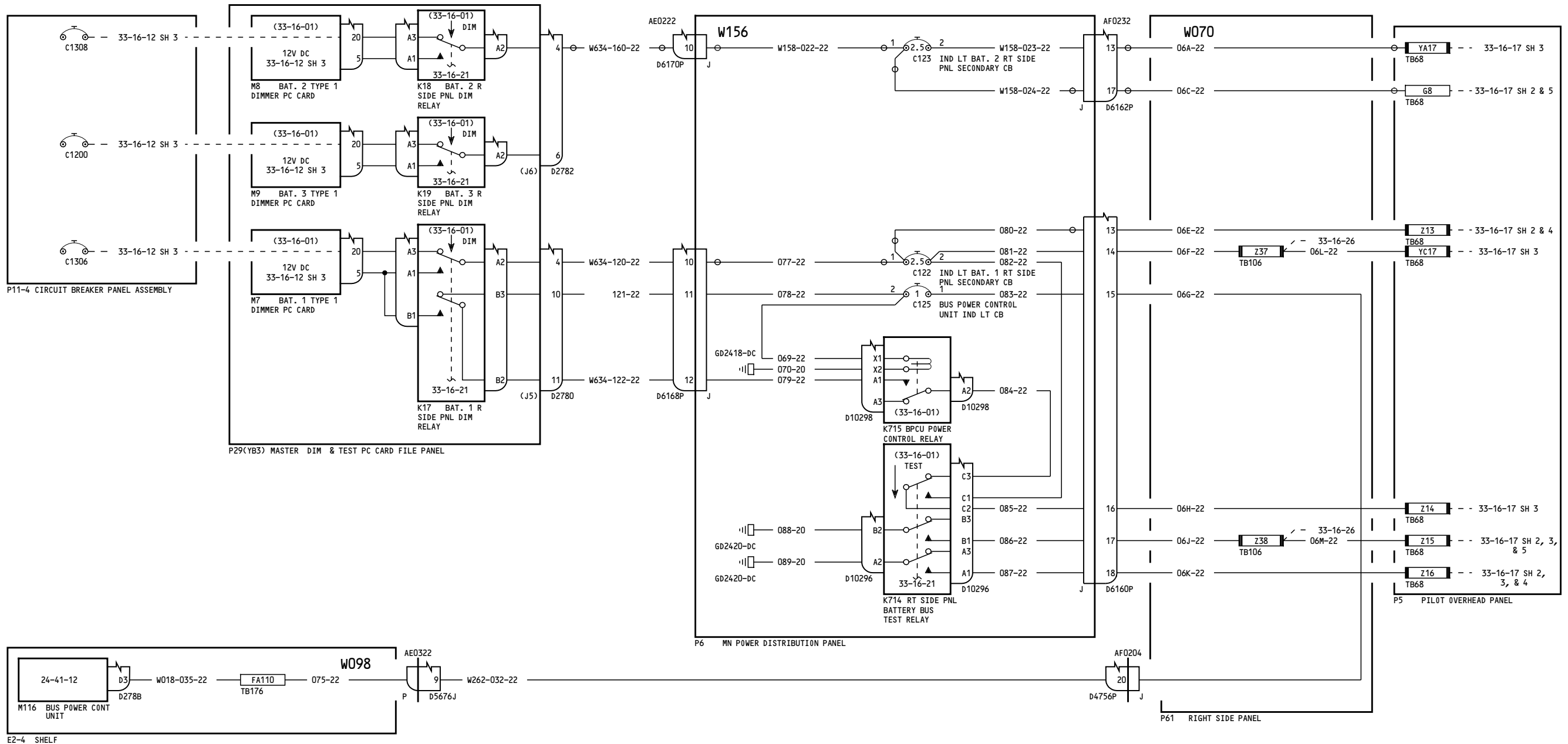
D280T132

33-16-22

Page 1
Sheet 2
Jan 21/2005

33-16-22

Page 1
Sheet 2
Jan 21/2005



ALL

**MASTER DIM & TEST-
RIGHT SIDE PANEL POWER &
GROUND DISTRIBUTION**

D280T132

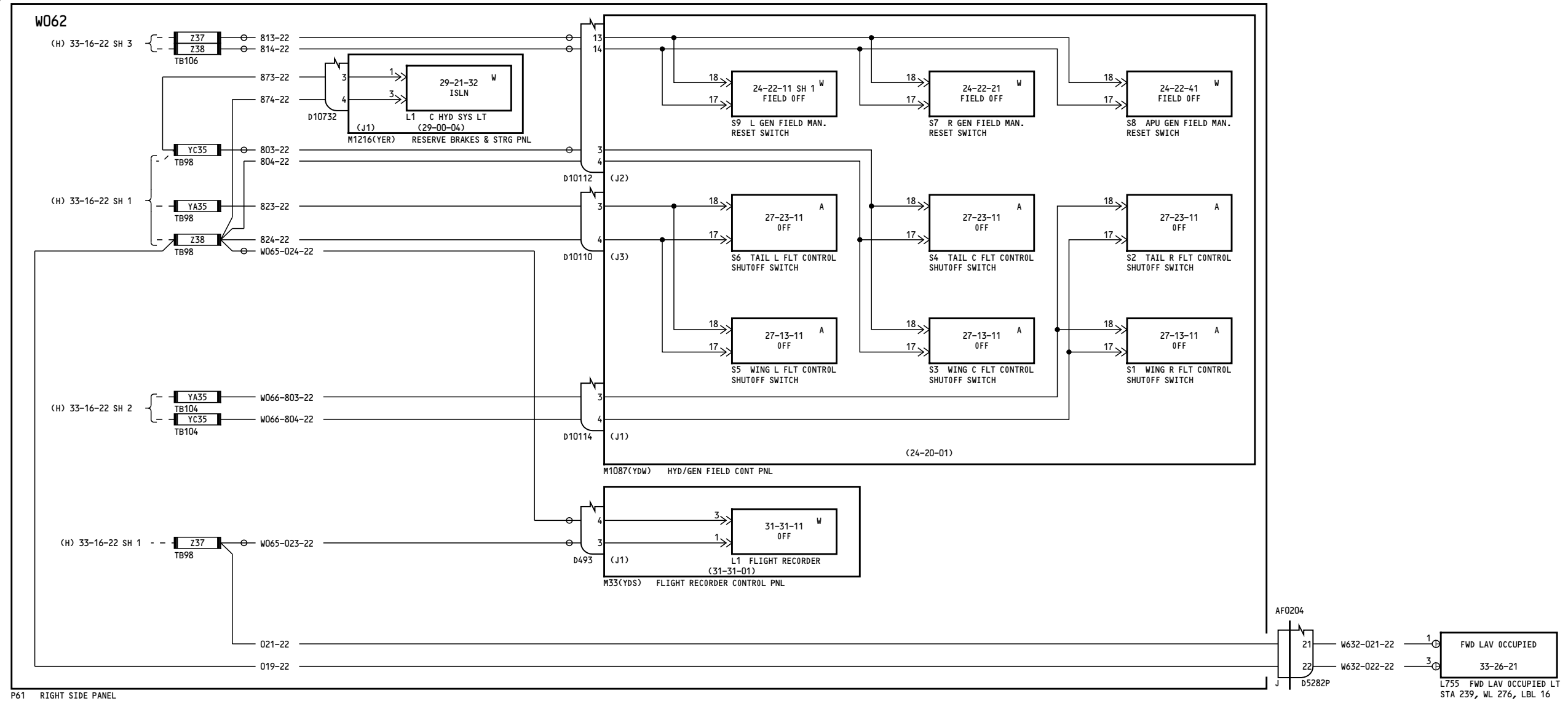
33-16-22

Page 1
Sheet 3
Jan 21/2005

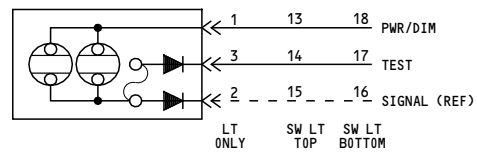
33-16-22

Page 1
Sheet 3
Jan 21/2005

-A
16



NOTES: TYPICAL ANNUNCIATOR
CONFIGURATION EXCEPT WHERE SHOWN
OTHERWISE (SHOWN FOR REFERENCE ONLY):



ALL

**MASTER DIM & TEST-
RIGHT SIDE PANEL**

33-16-26

Page 1

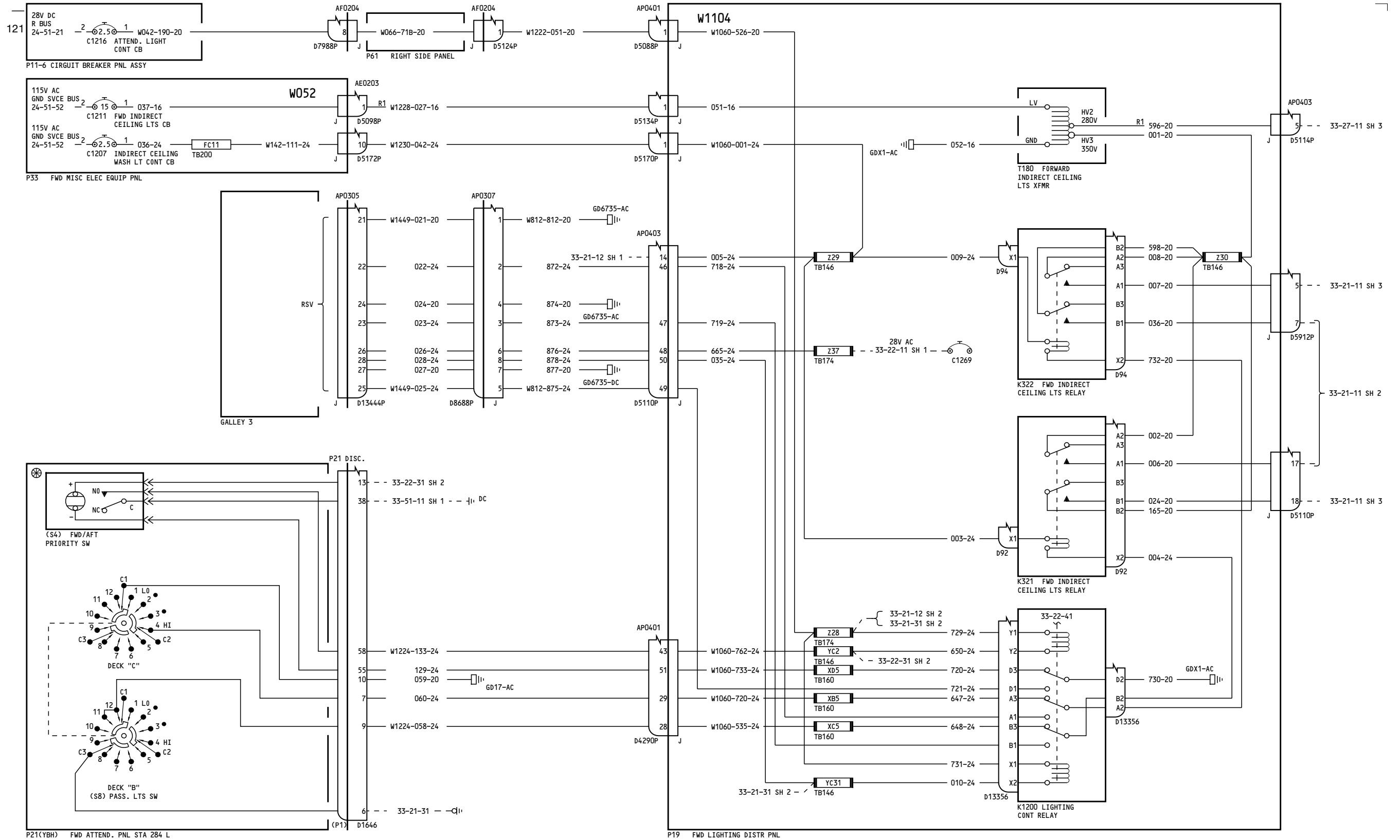
D280T132

Jan 21/2005

33-16-26

Page 1

Jan 21/2005



050-051

**CEILING LIGHTS-
FORWARD INDIRECT**

33-21-11

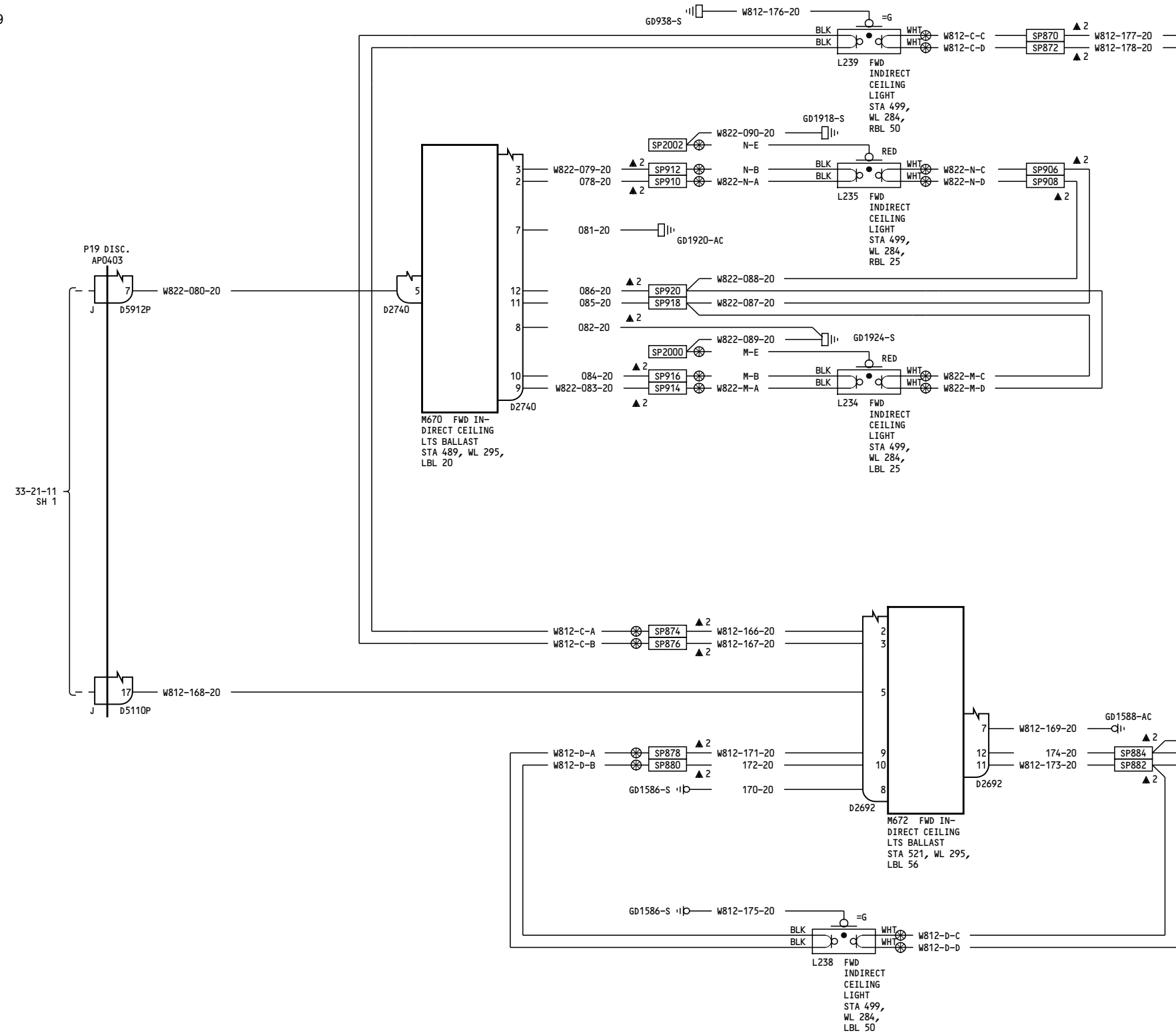
Incorporates
MTO 230540

33-21-11

D280T132

Page 1A
Sheet 1
Jan 21/2005

Page 1A
Sheet 1
Jan 21/2005



050-051

**CEILING LIGHTS-
FORWARD INDIRECT**

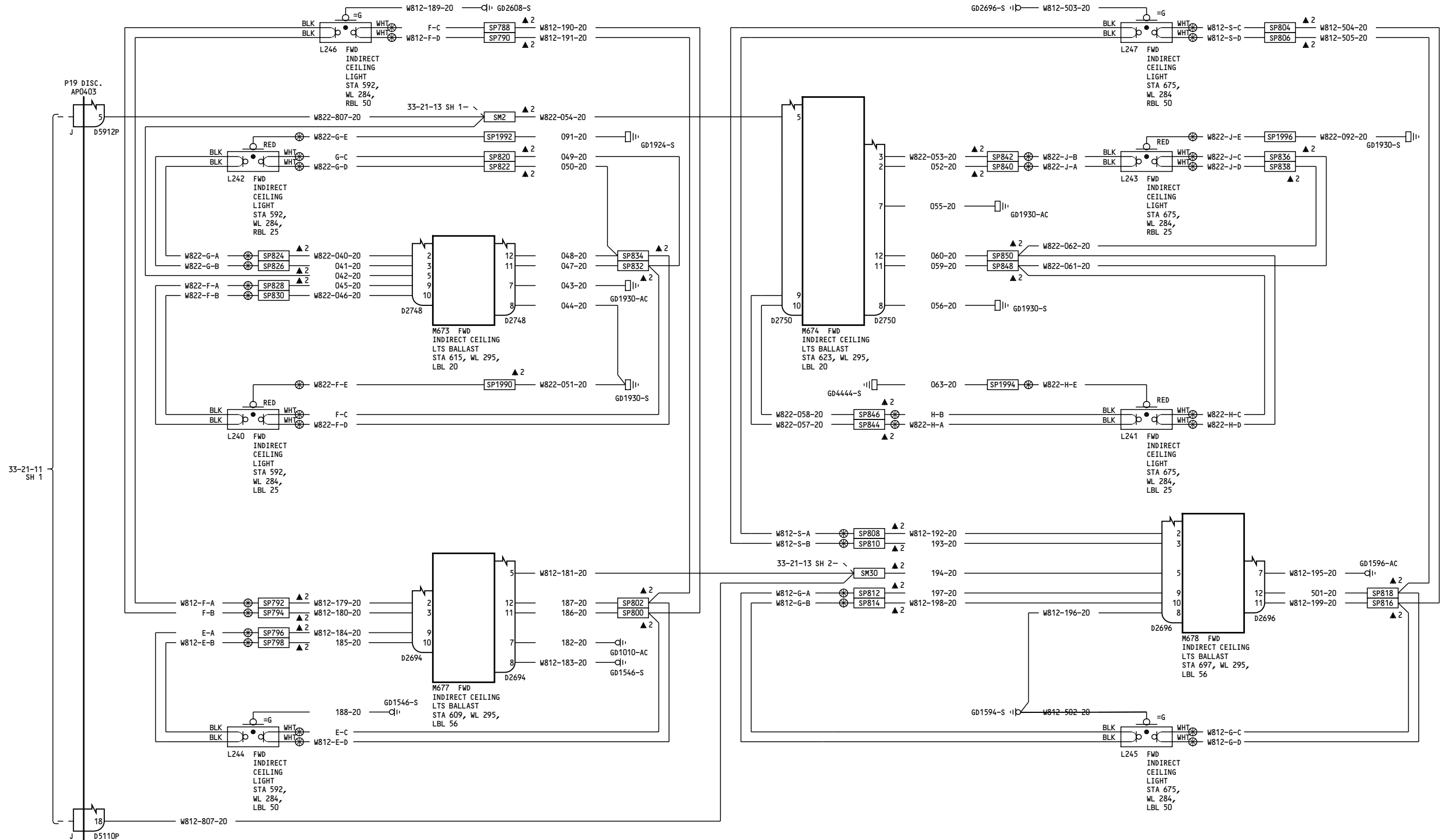
33-21-11

Page 1A
Sheet 2
Jan 21/2005

D280T132

33-21-11

Page 1A
Sheet 2
Jan 21/2005



050-051

CEILING LIGHTS-
FORWARD INDIRECT

33-21-11

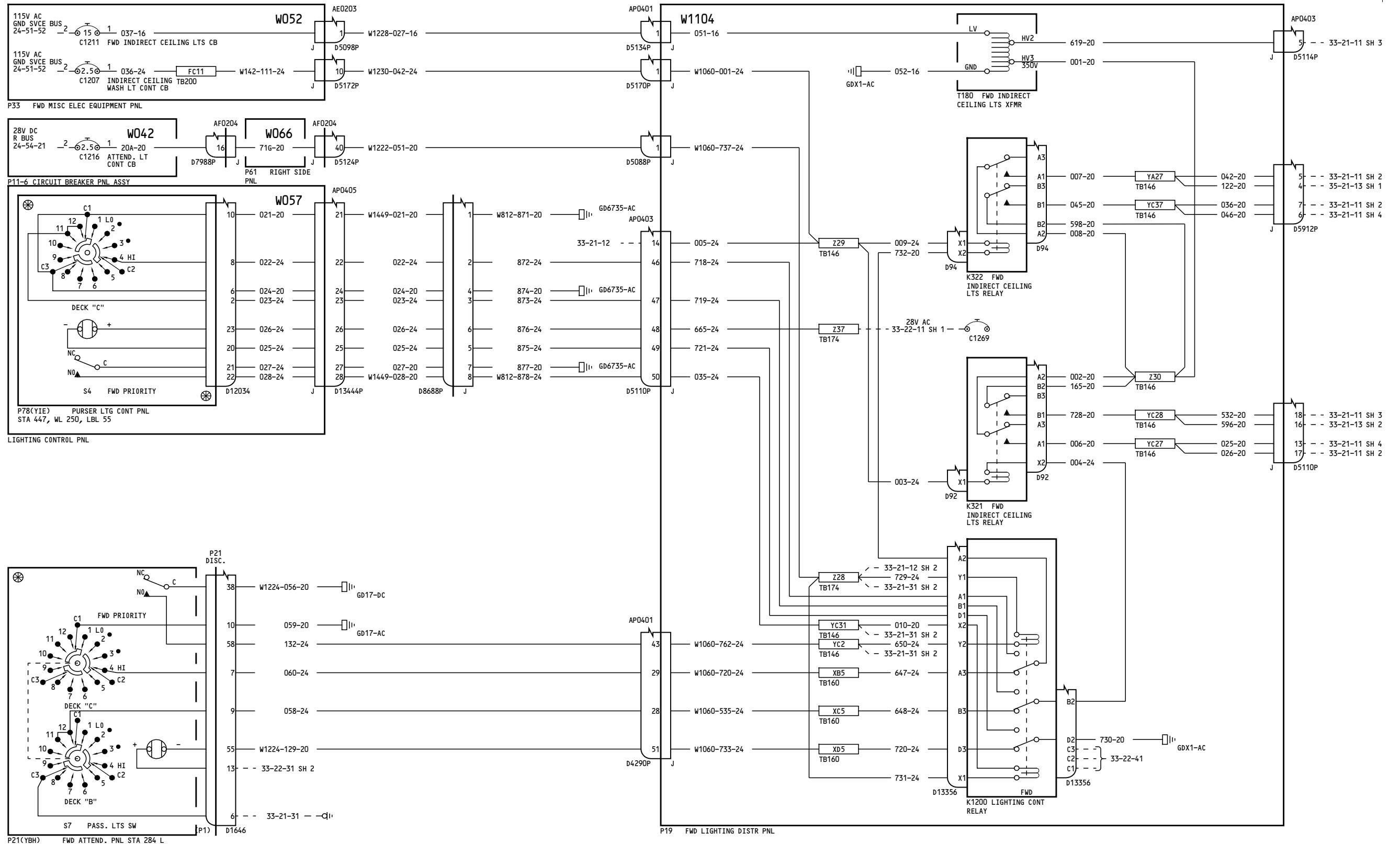
Page 1A
Sheet 3
Jan 21/2005

D280T132

33-21-11

Page 1A
Sheet 3
Jan 21/2005

55



150-199

CEILING LIGHTS-FORWARD INDIRECT

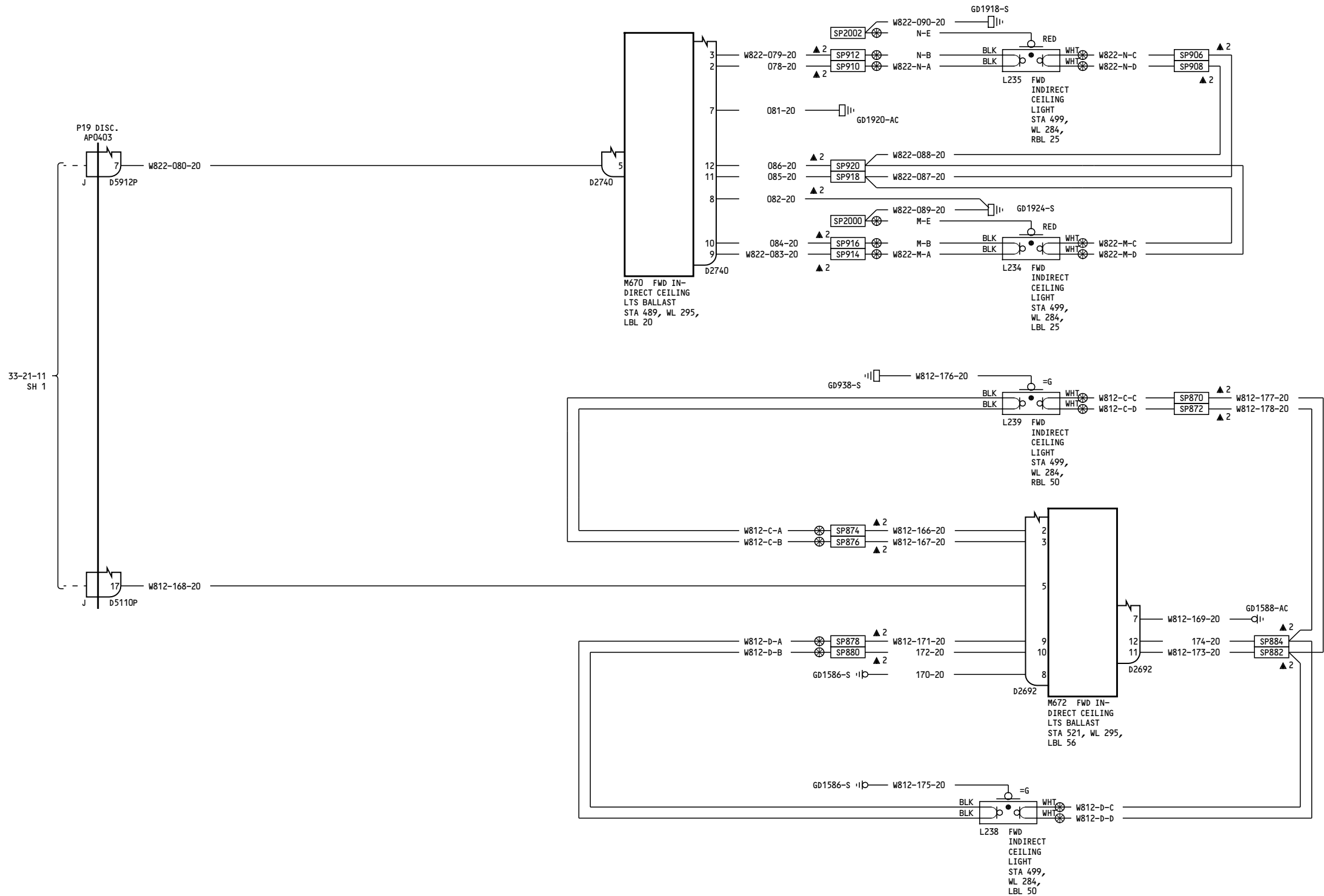
33-21-11

Page 2
Sheet 1
Jan 21/2005

D280T132

33-21-11

Page 2
Sheet 1
Jan 21/2005



150-199

**CEILING LIGHTS-
FORWARD INDIRECT**

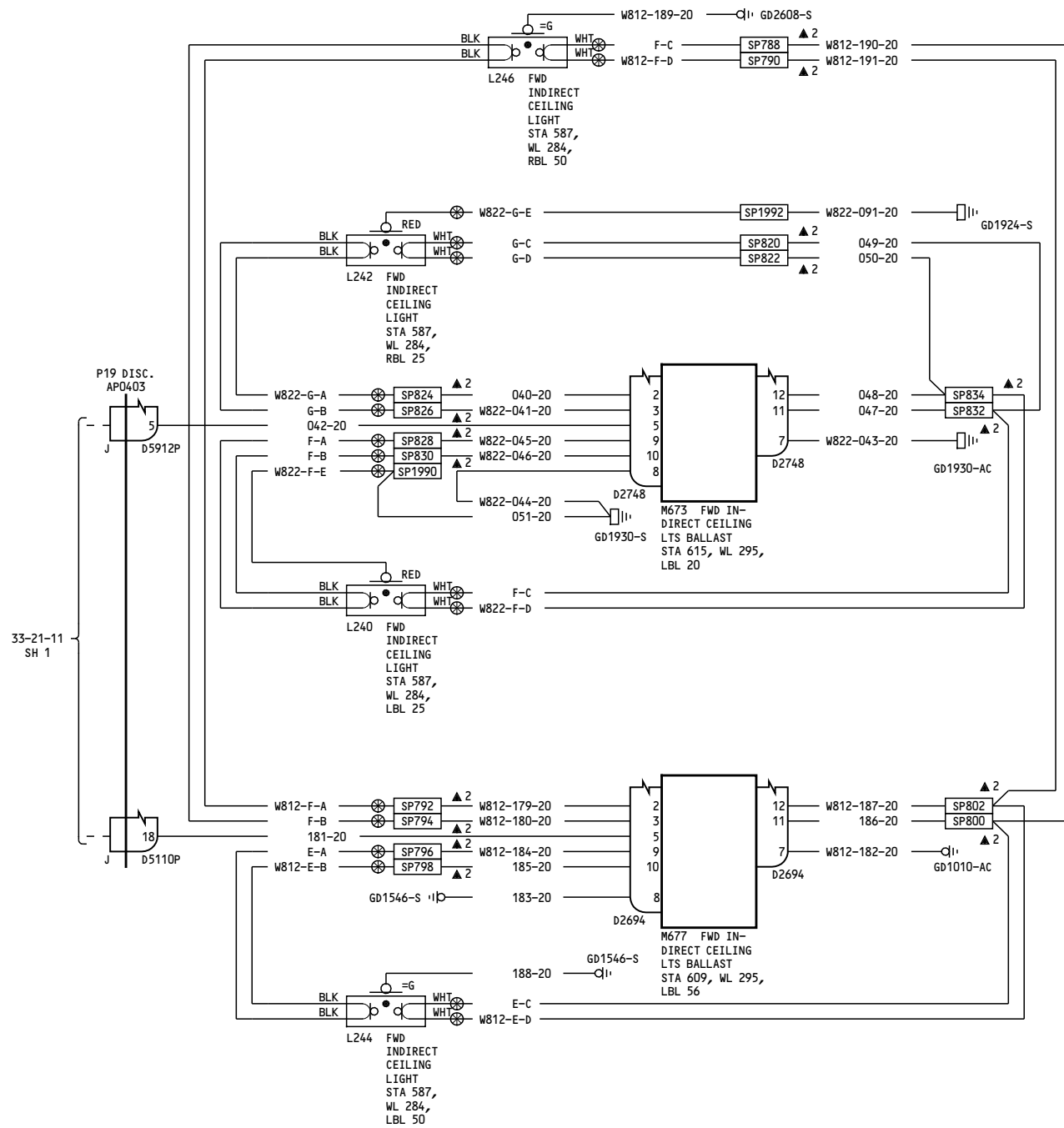
D280T132

33-21-11

Page 2
Sheet 2
Jan 21/2005

33-21-11

Page 2
Sheet 2
Jan 21/2005



150-199

**CEILING LIGHTS-
FORWARD INDIRECT**

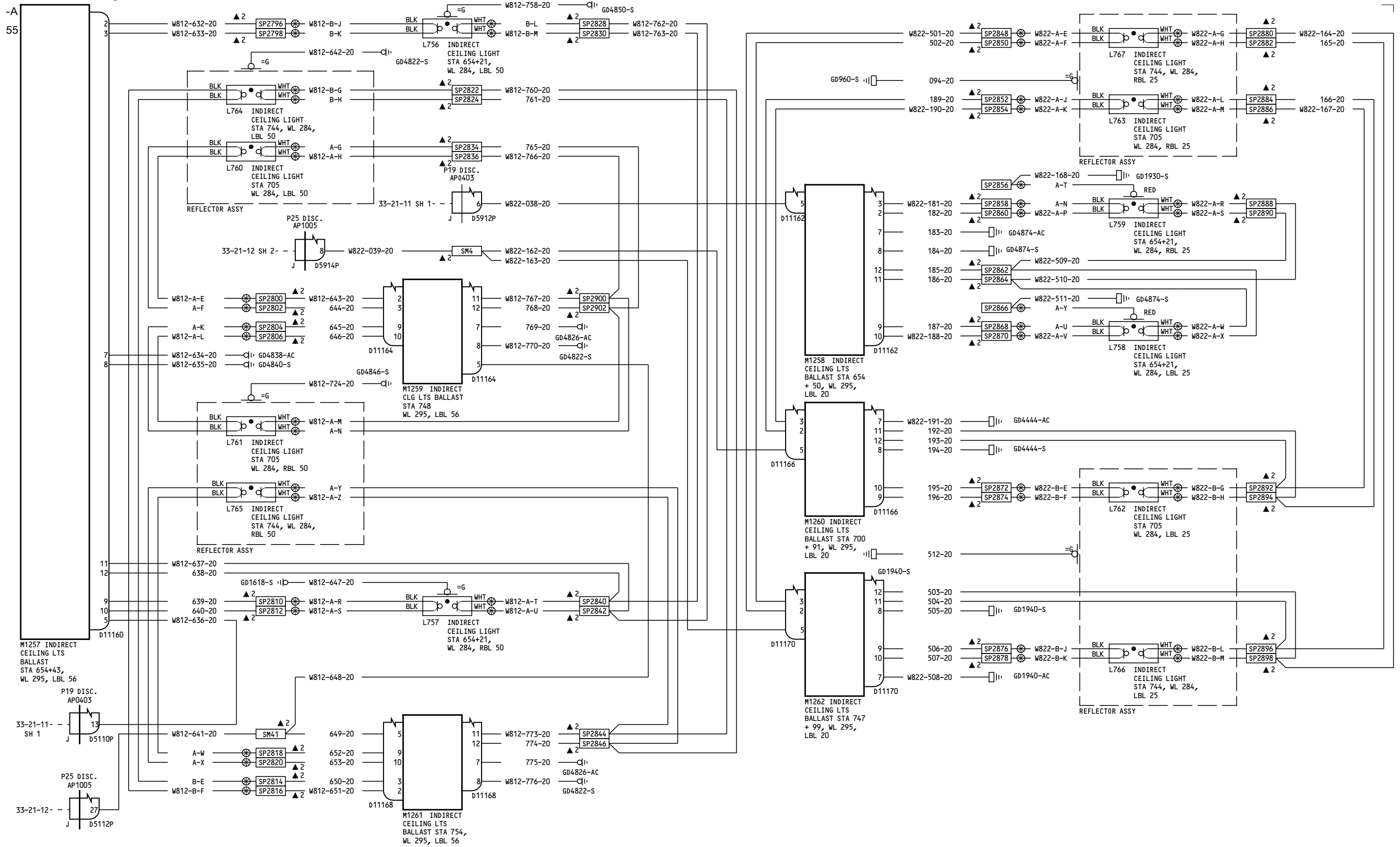
D280T132

33-21-11

Page 2
Sheet 3
Jan 21/2005

33-21-11

Page 2
Sheet 3
Jan 21/2005



150-199

**CEILING LIGHTS-
FORWARD INDIRECT**

33-21-11

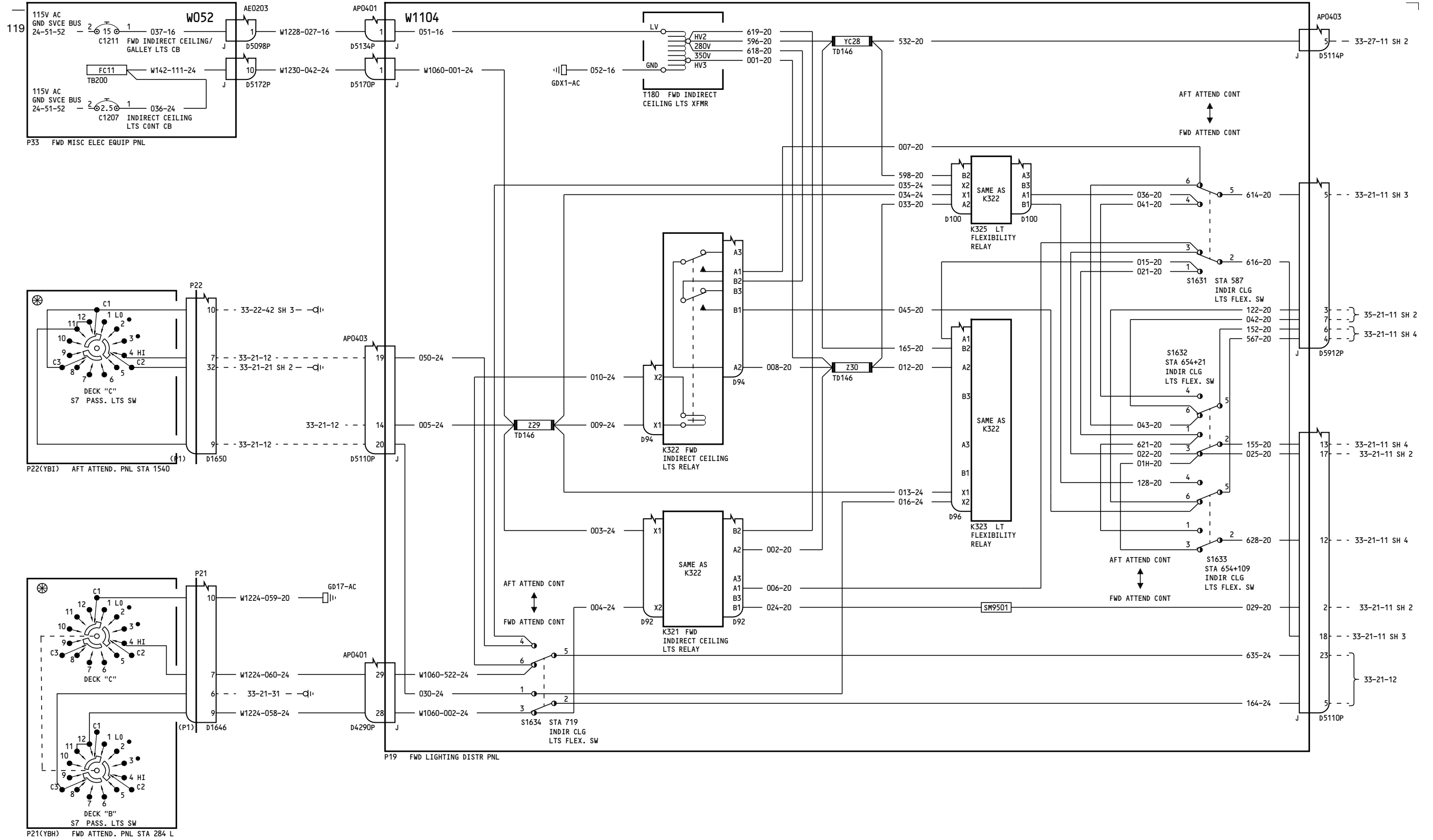
D280T132

33-21-11

Page 2
Sheet 4
Jan 21/2005

33-21-11

Page 2
Sheet 4
Jan 21/2005



275-277

**CEILING LIGHTS-
FORWARD INDIRECT**

33-21-11

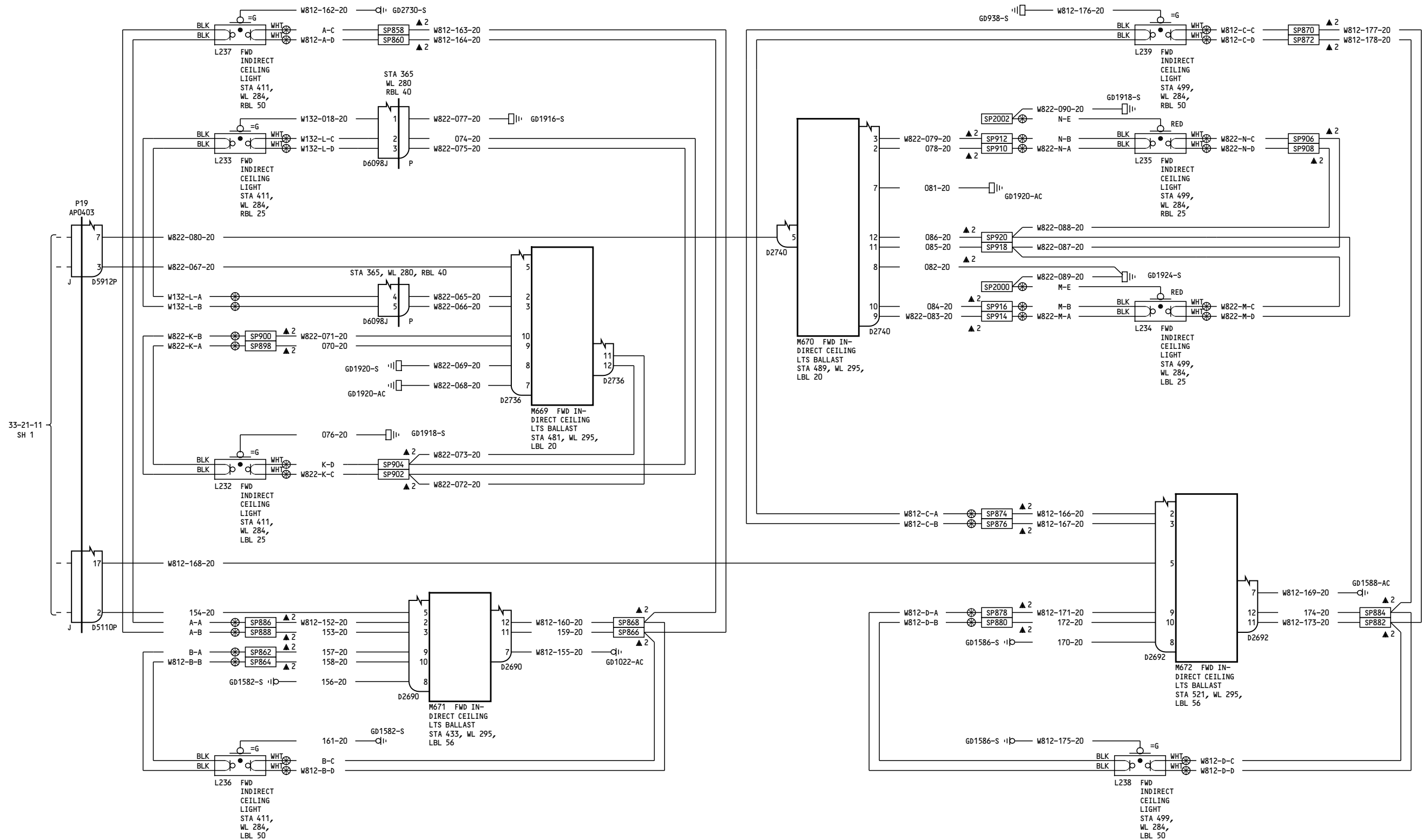
Page 3.1A
Sheet 1
Jan 21/2005

D280T132

Incorporates
33-0054
MTO 330339

33-21-11

Page 3.1A
Sheet 1
Jan 21/2005



275-277

**CEILING LIGHTS-
FORWARD INDIRECT**

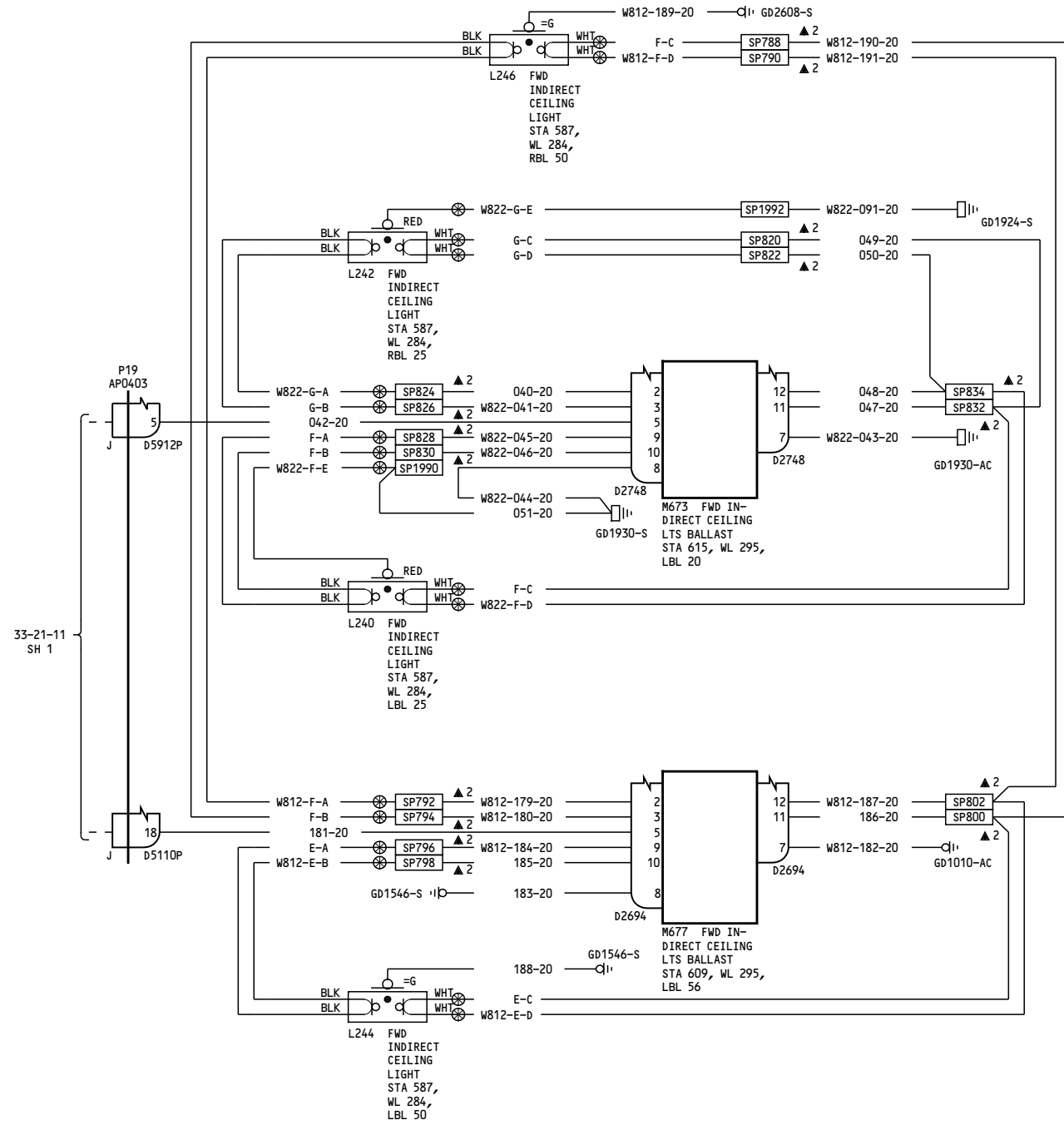
33-21-11

Page 3.1A
Sheet 2
Jan 21/2005

D280T132

33-21-11

Page 3.1A
Sheet 2
Jan 21/2005



275-277

**CEILING LIGHTS-
FORWARD INDIRECT**

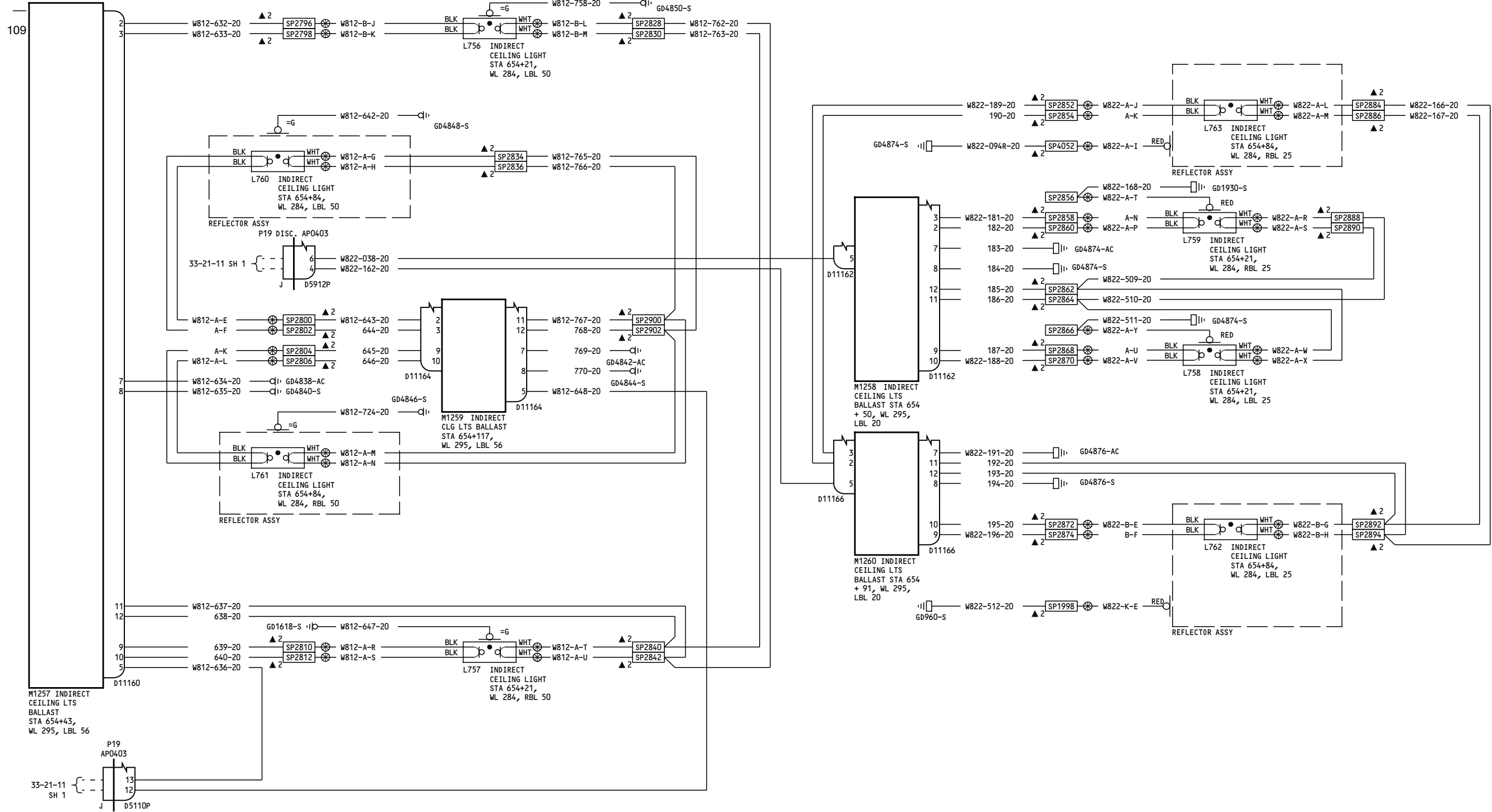
33-21-11

D280T132

Page 3.1A
Sheet 3
Jan 21/2005

33-21-11

Page 3.1A
Sheet 3
Jan 21/2005



275-277

**CEILING LIGHTS-
FORWARD INDIRECT**

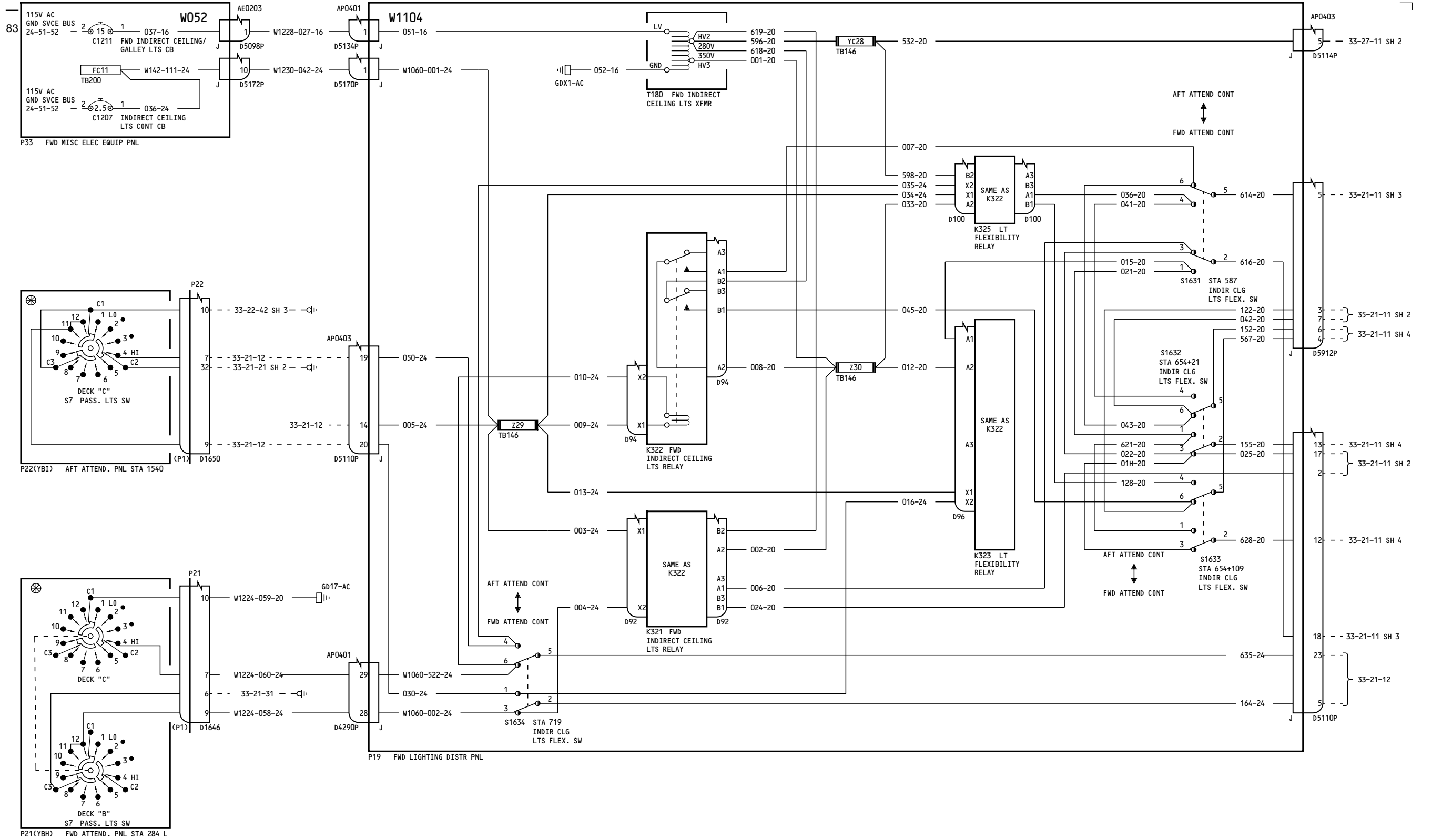
33-21-11

Page 3.1A
Sheet 4
Jan 21/2005

D280T132

33-21-11

Page 3.1A
Sheet 4
Jan 21/2005



278

CEILING LIGHTS-FORWARD INDIRECT

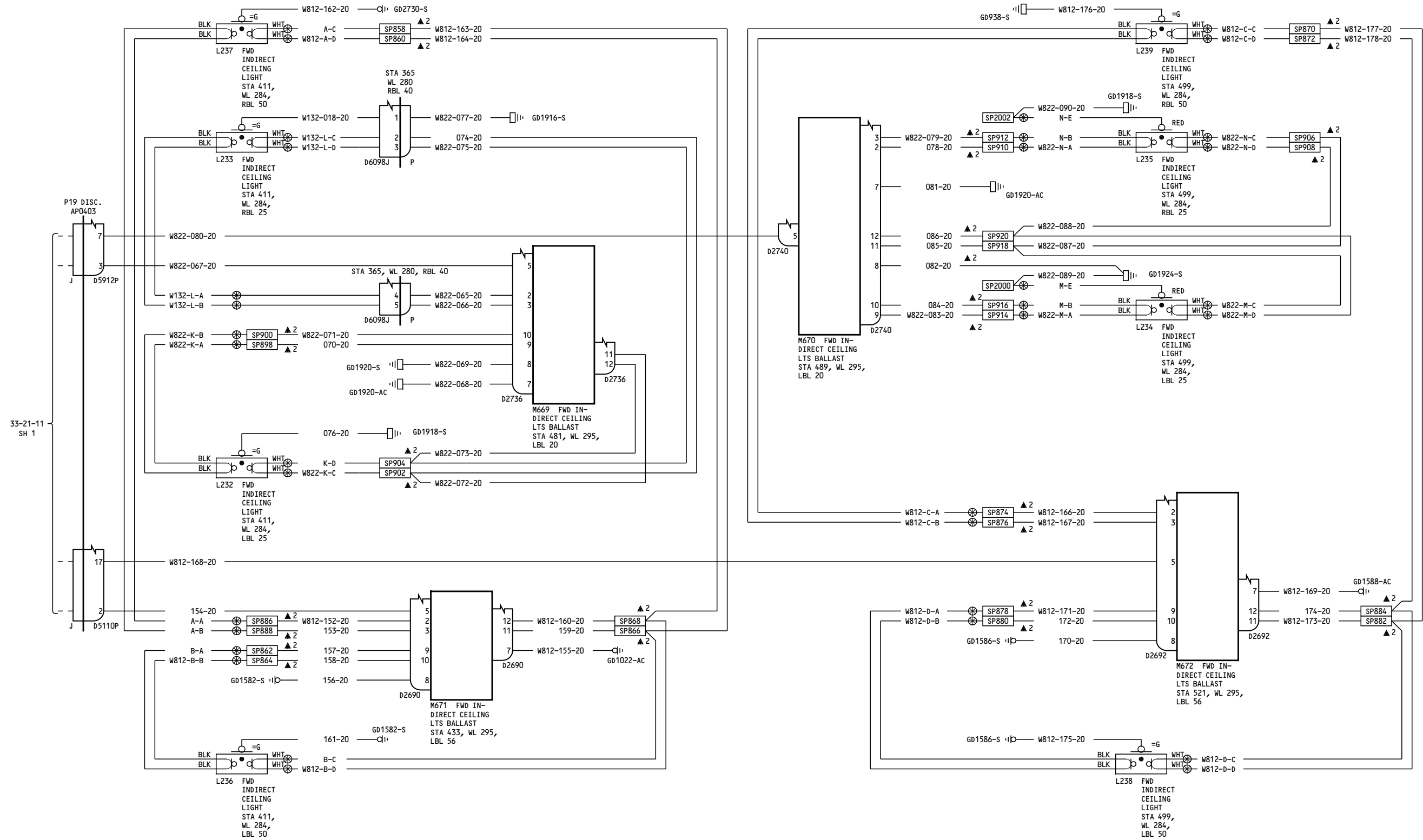
33-21-11

Page 4
Sheet 1
Jan 21/2005

D280T132

33-21-11

Page 4
Sheet 1
Jan 21/2005



**CEILING LIGHTS-
FORWARD INDIRECT**

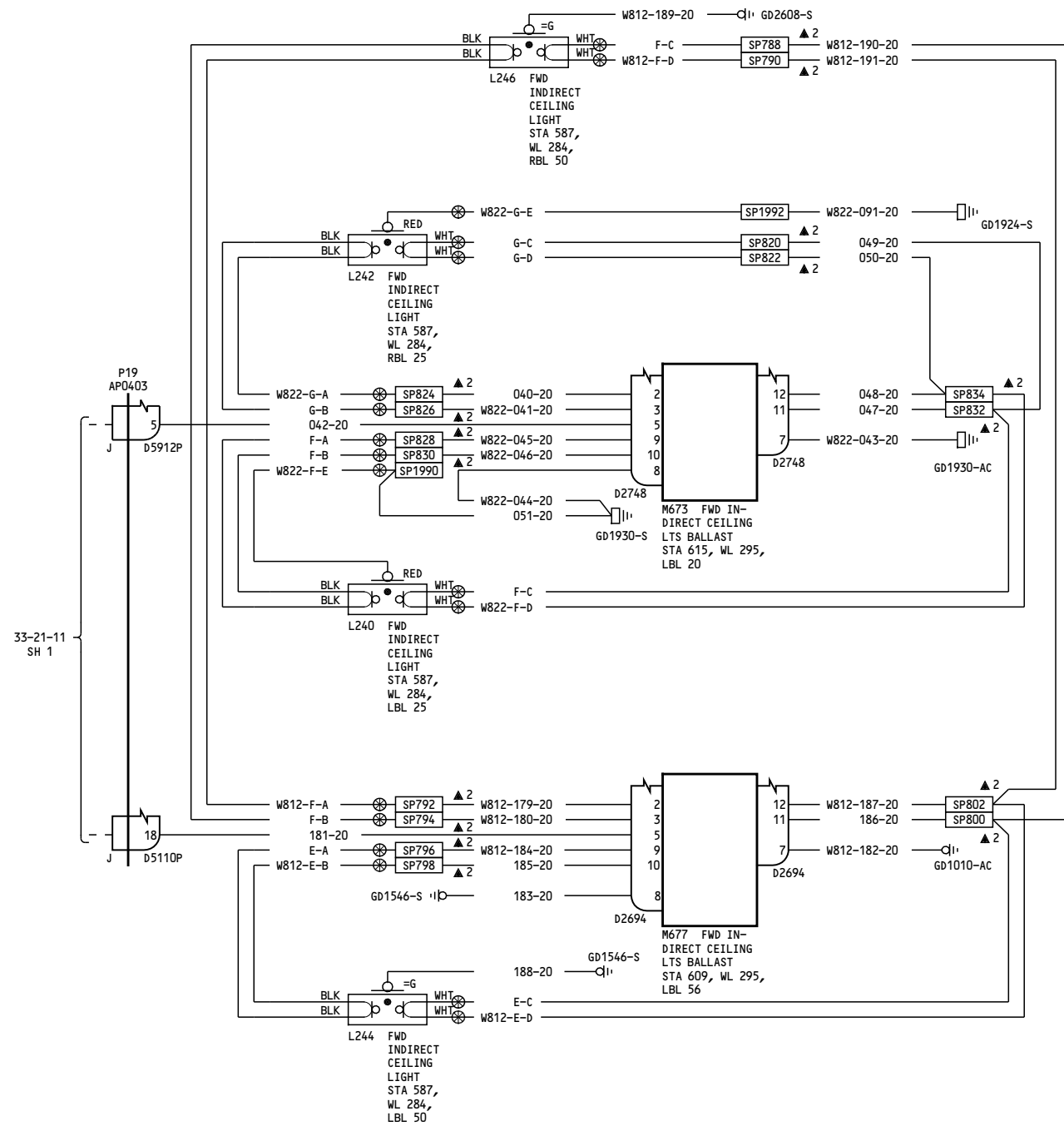
33-21-11

D280T132

Page 4
Sheet 2
Jan 21/2005

33-21-11

Page 4
Sheet 2
Jan 21/2005



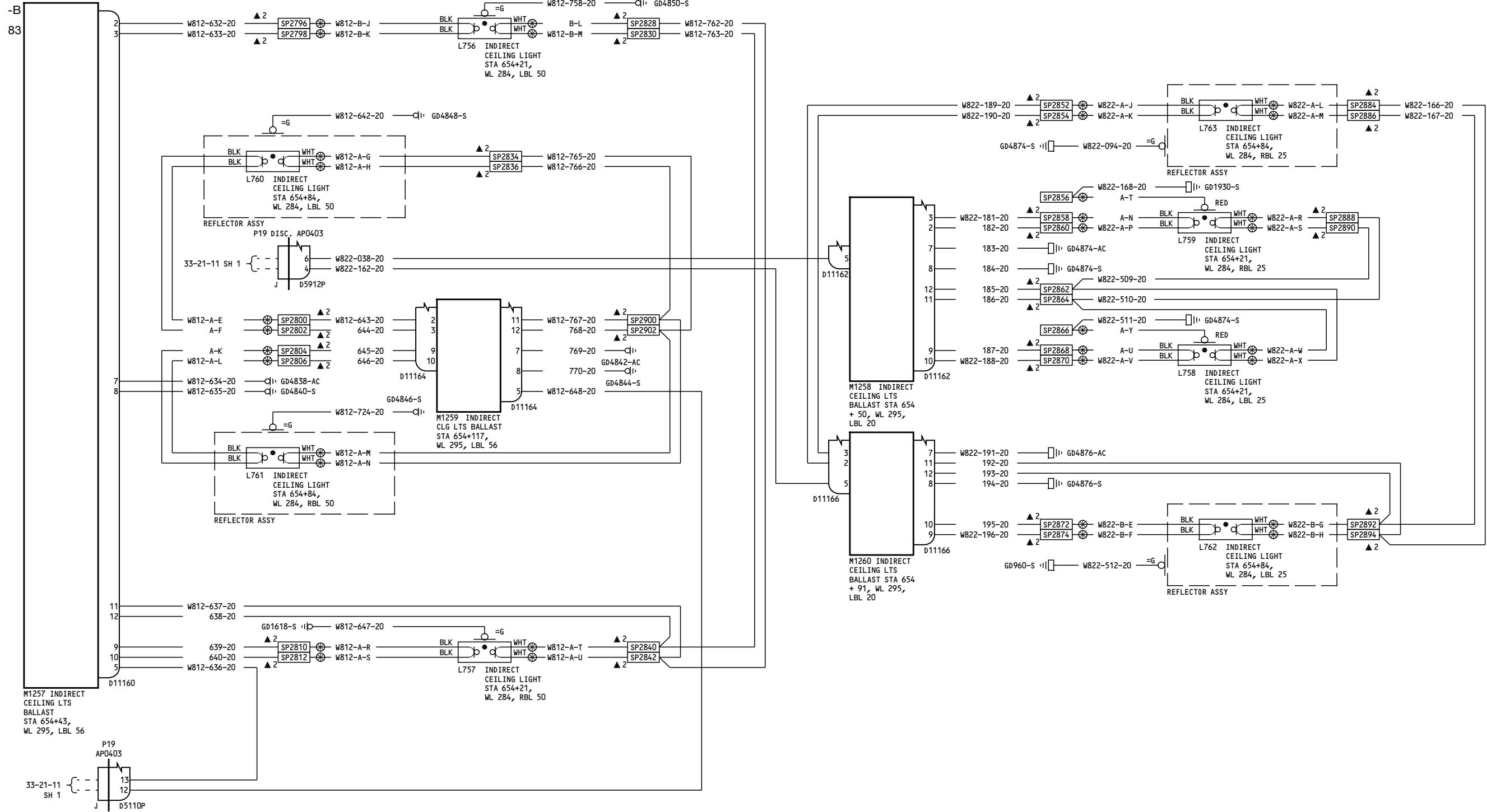
| | |
|-----|--------------------------------------------------------------------|
| 278 | <p>CEILING LIGHTS- FORWARD INDIRECT</p> <p>D280T132</p> |
|-----|--------------------------------------------------------------------|

33-21-11

Page 4
Sheet 3
Jan 21/2005

33-21-11

Page 4
Sheet 3
Jan 21/2005



278

**CEILING LIGHTS-
FORWARD INDIRECT**

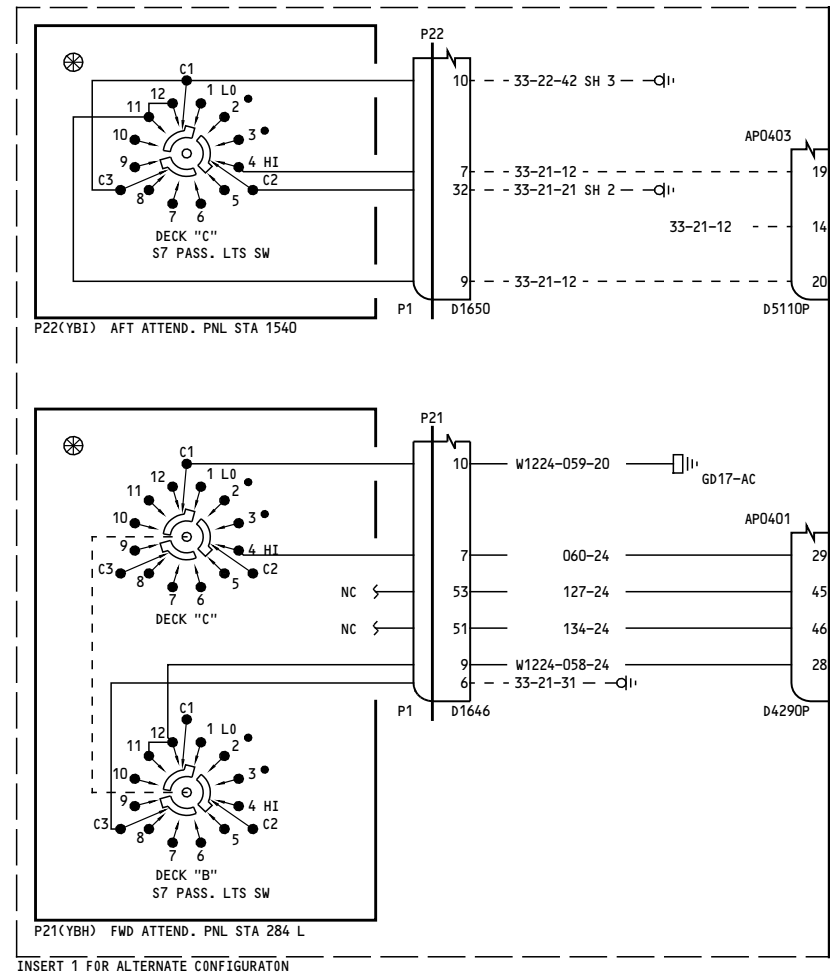
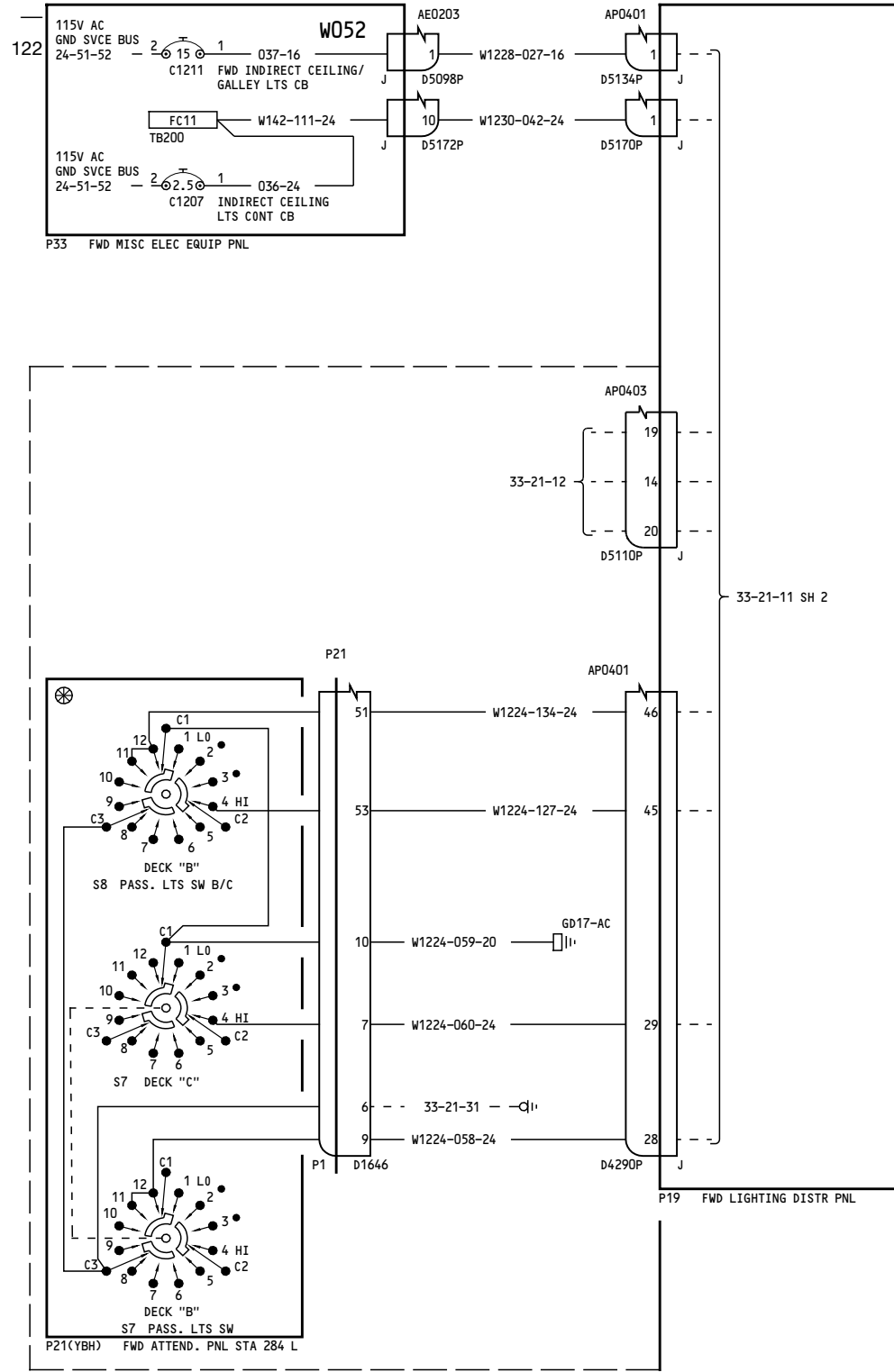
D280T132

33-21-11

Page 4
Sheet 4
Jan 21/2005

33-21-11

Page 4
Sheet 4
Jan 21/2005



INSERT 1 FOR ALTERNATE CONFIGURATON

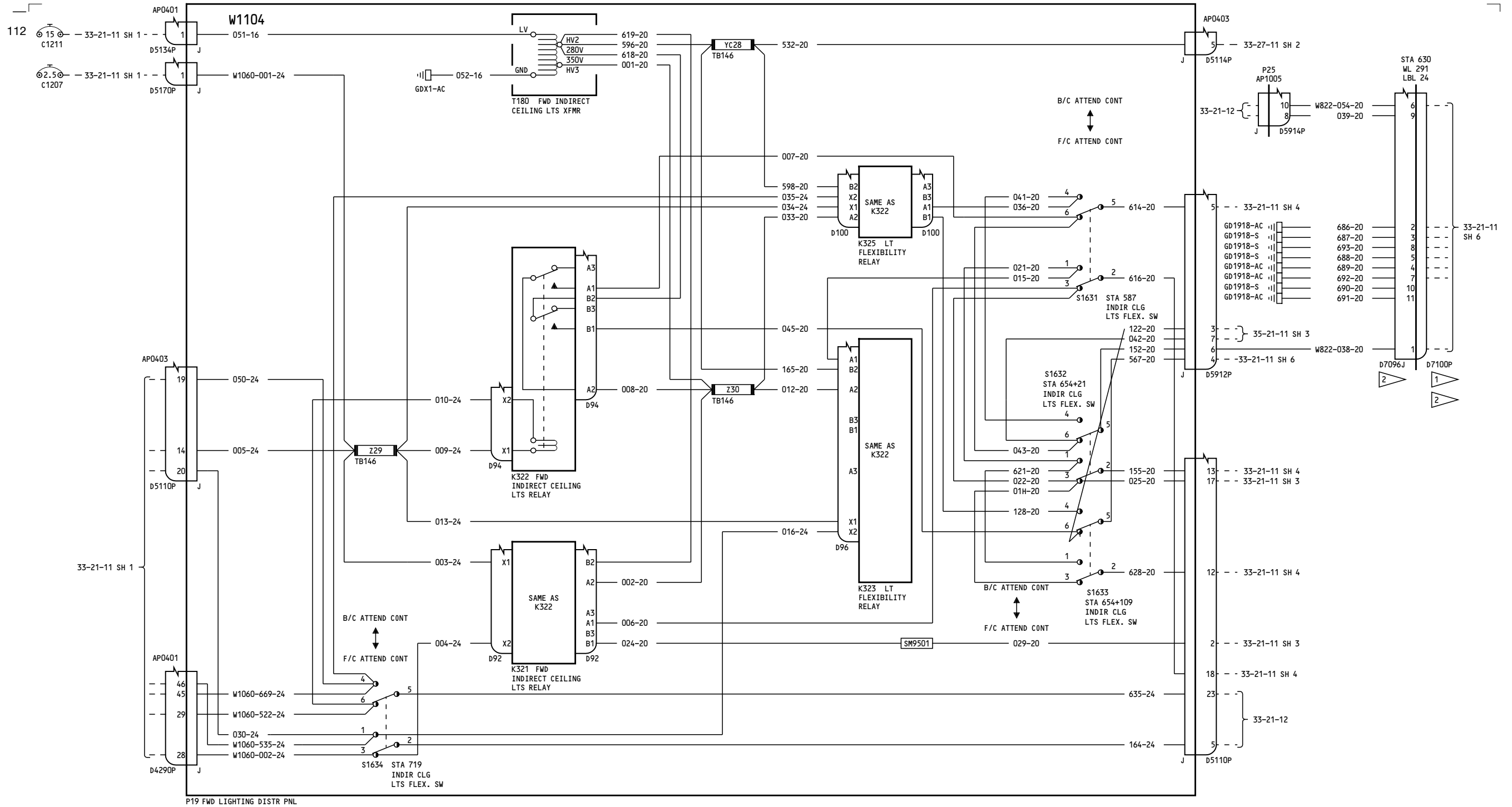
| | |
|-----|--------------------------------------------------------------------|
| 280 | <p>CEILING LIGHTS- FORWARD INDIRECT</p> <p>D280T132</p> |
|-----|--------------------------------------------------------------------|

33-21-11

Page 5.1A
Sheet 1
Jan 21/2005

33-21-11

Page 5.1A
Sheet 1
Jan 21/2005



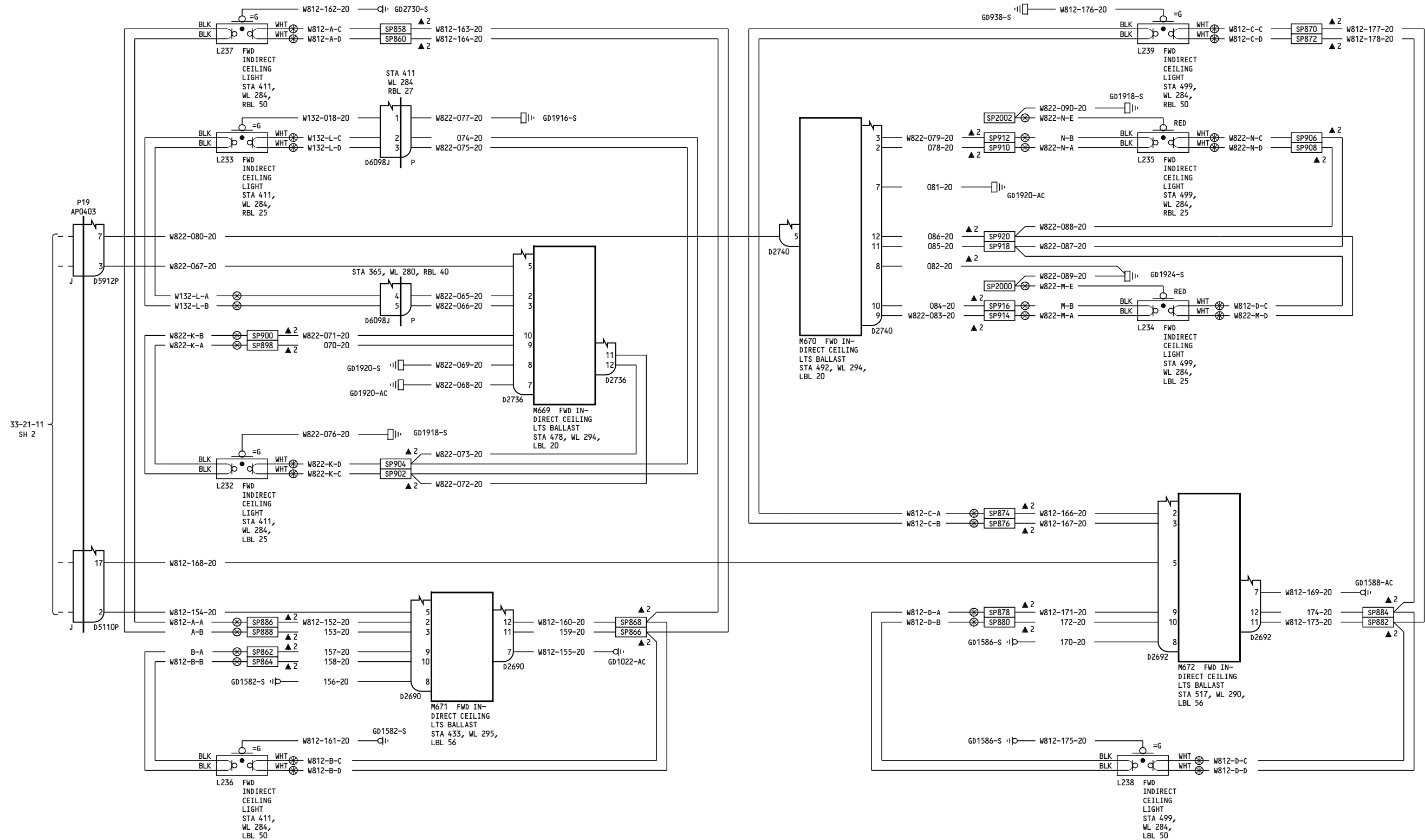
NOTES:
 1 MATED WITH D7096J FOR ALTERNATE CONFIGURATION
 2 CAP & STOW CONNECTOR FOR DELIVERY CONFIGURATION

| | |
|-----|-------------------------------------------------------------|
| 280 | CEILING LIGHTS- FORWARD INDIRECT D280T132 |
|-----|-------------------------------------------------------------|

33-21-11
 Page 5.1A
 Sheet 2
 Jan 21/2005

Incorporates
 33-0054
 MTO 330339

33-21-11
 Page 5.1A
 Sheet 2
 Jan 21/2005



280

**CEILING LIGHTS-
FORWARD INDIRECT**

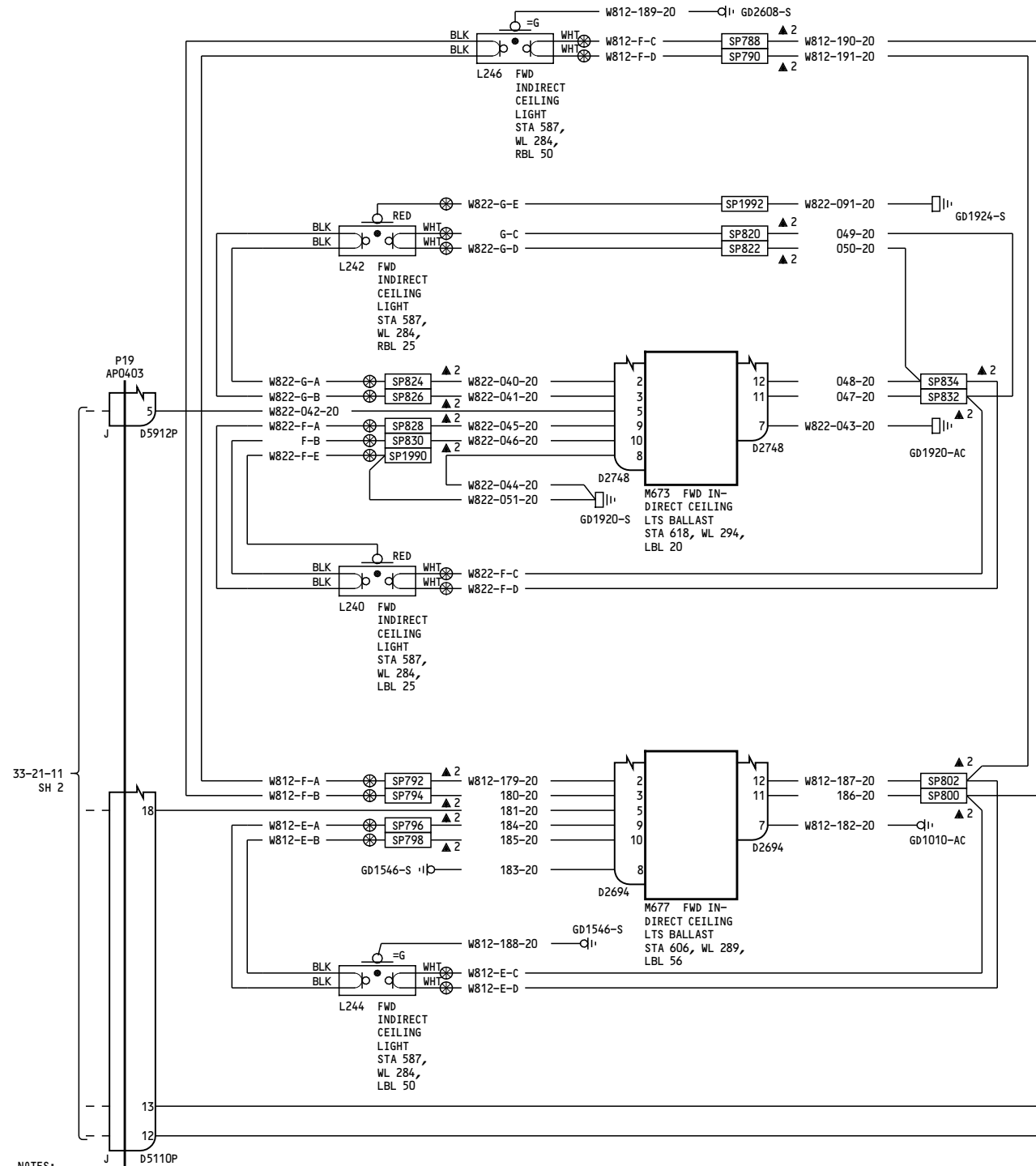
D280T132

33-21-11

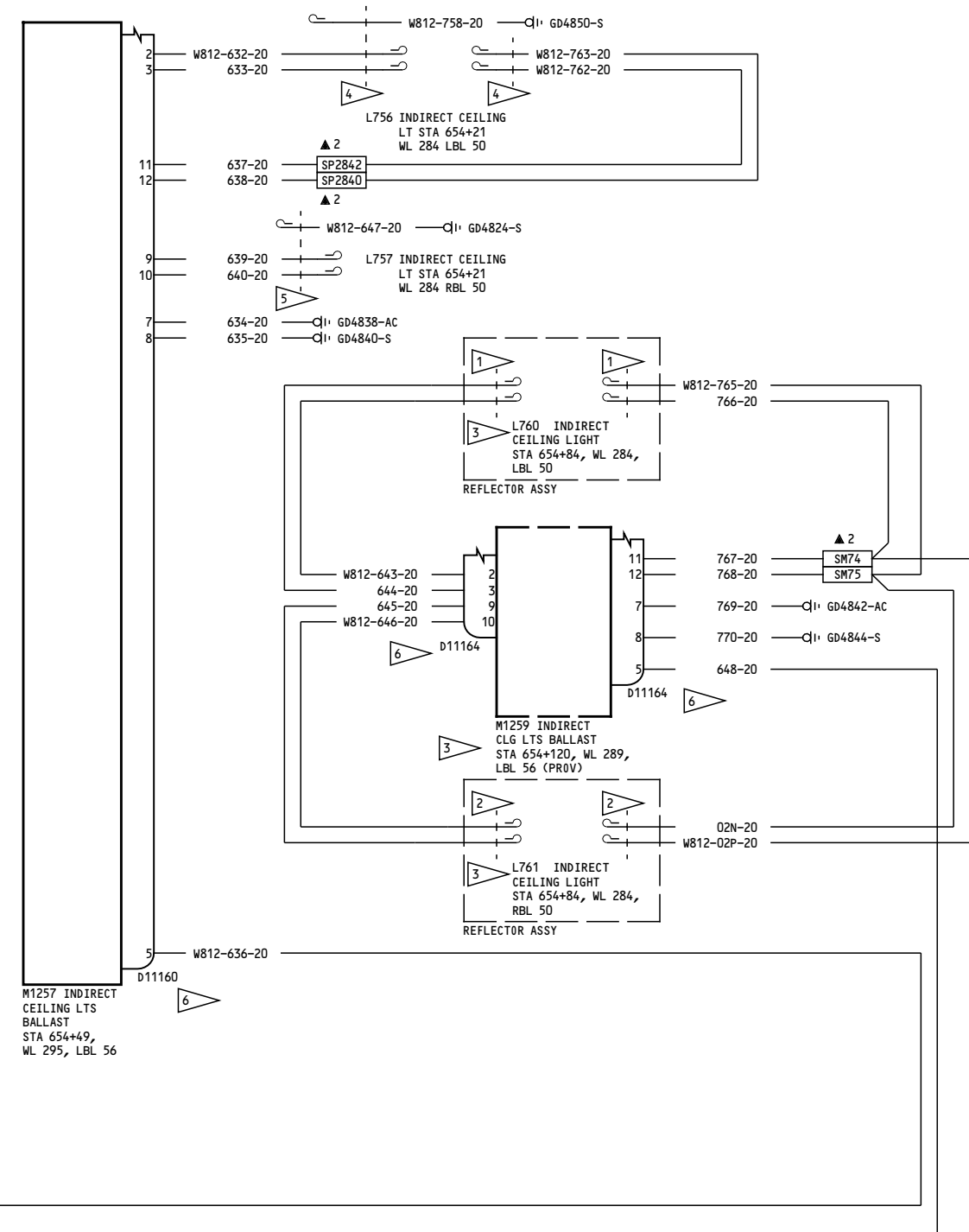
Page 5.1A
Sheet 3
Jan 21/2005

33-21-11

Page 5.1A
Sheet 3
Jan 21/2005



- NOTES:
- 1 CAP & STOW NEAR STA0654+84 LBL 50
 - 2 CAP & STOW NEAR STA0654+84 RBL 50
 - 3 INSTALLED FOR ALTERNATE CONFIGURATION
 - 4 CAP AND STOW NEAR STA0654+21 LBL 50
 - 5 CAP AND STOW NEAR STA0654+21 RBL 50
 - 6 CAP AND STOW CONNECTOR FOR DELIVERY CONFIGURATION



**CEILING LIGHTS-
FORWARD INDIRECT**

280

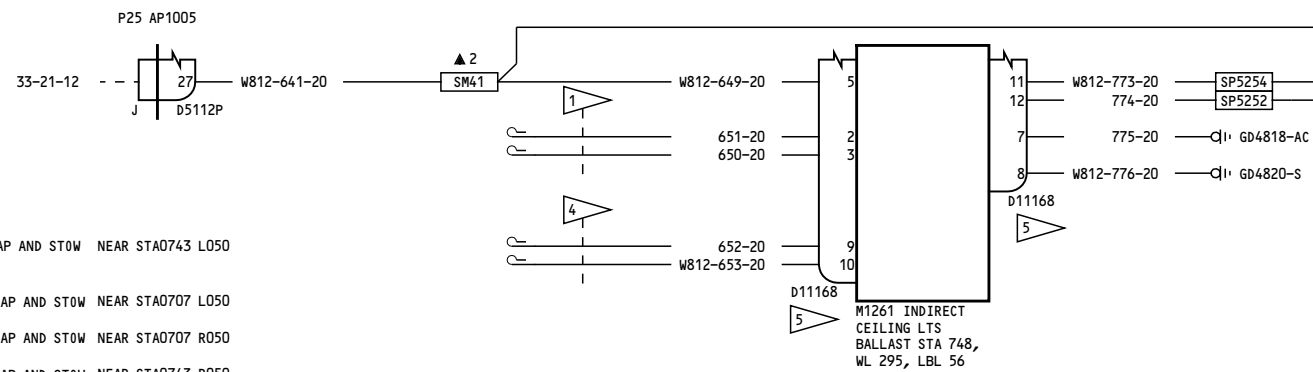
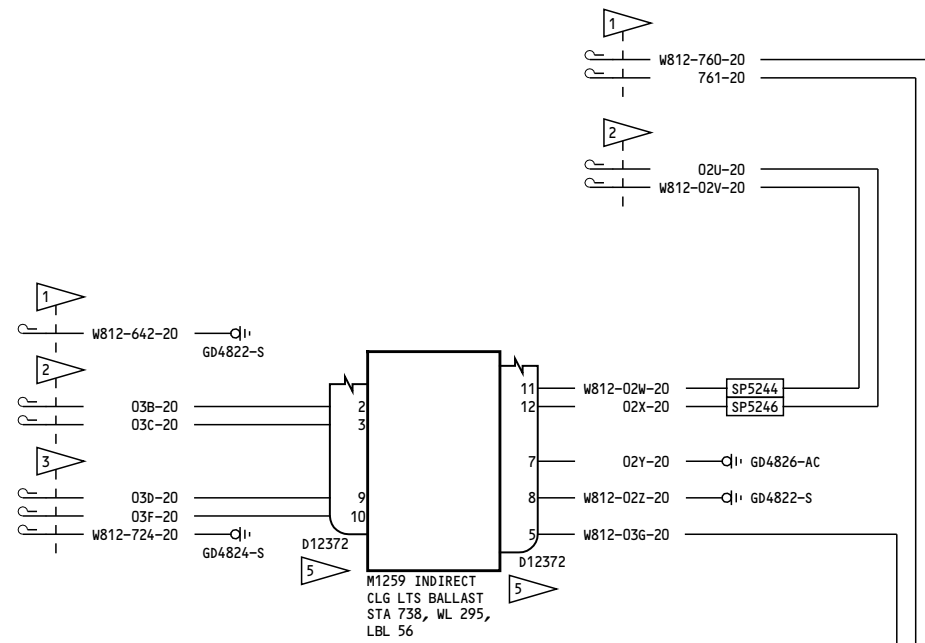
D280T132

33-21-11

Page 5.1A
Sheet 4
Jan 21/2005

33-21-11

Page 5.1A
Sheet 4
Jan 21/2005



- NOTES:
- 1 CAP AND STOW NEAR STA0743 L050
 - 2 CAP AND STOW NEAR STA0707 L050
 - 3 CAP AND STOW NEAR STA0707 R050
 - 4 CAP AND STOW NEAR STA0743 R050
 - 5 CAP AND STOW CONNECTOR

280

**CEILING LIGHTS-
FORWARD INDIRECT**

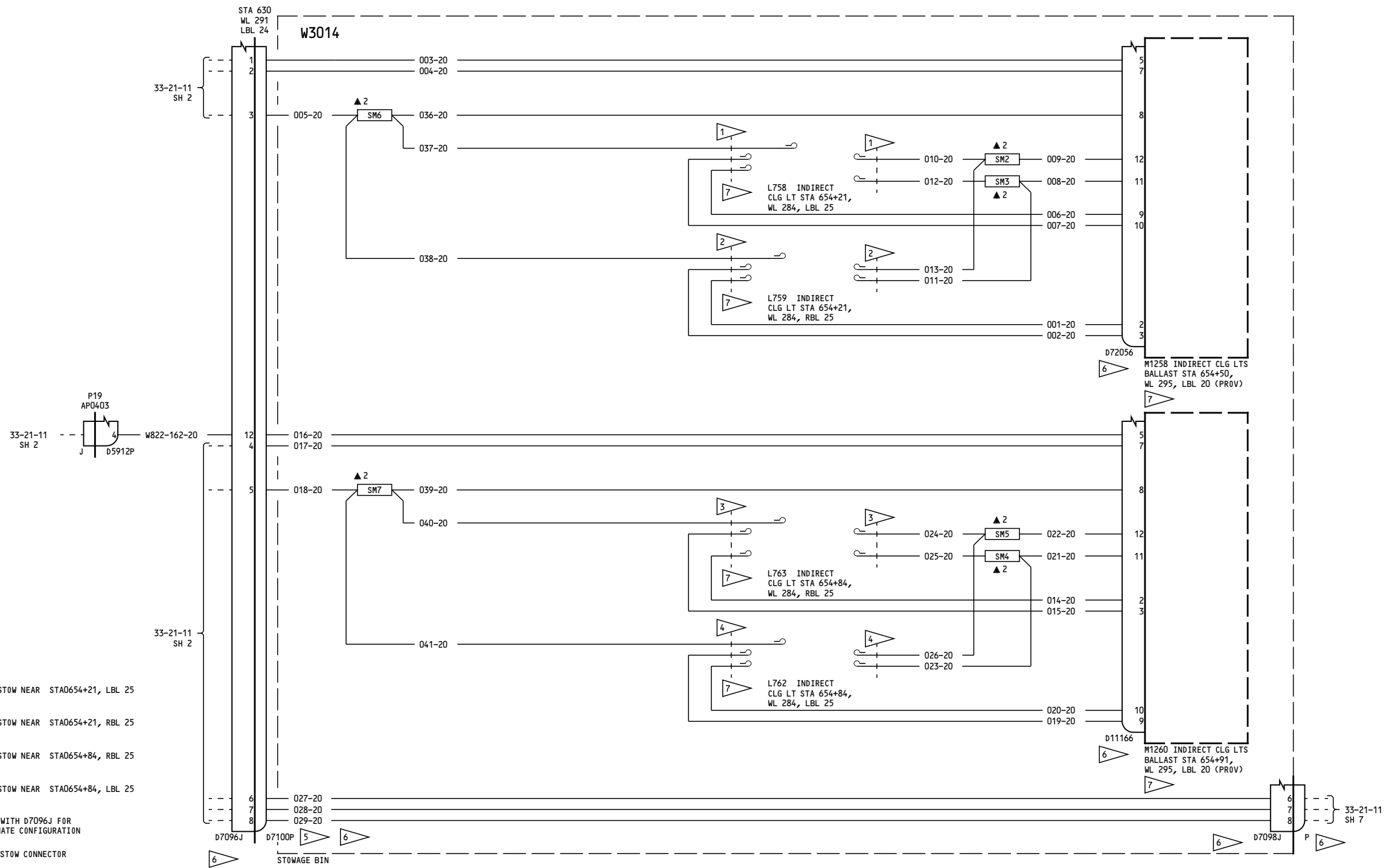
D280T132

33-21-11

Page 5.1A
Sheet 5
Jan 21/2005

33-21-11

Page 5.1A
Sheet 5
Jan 21/2005



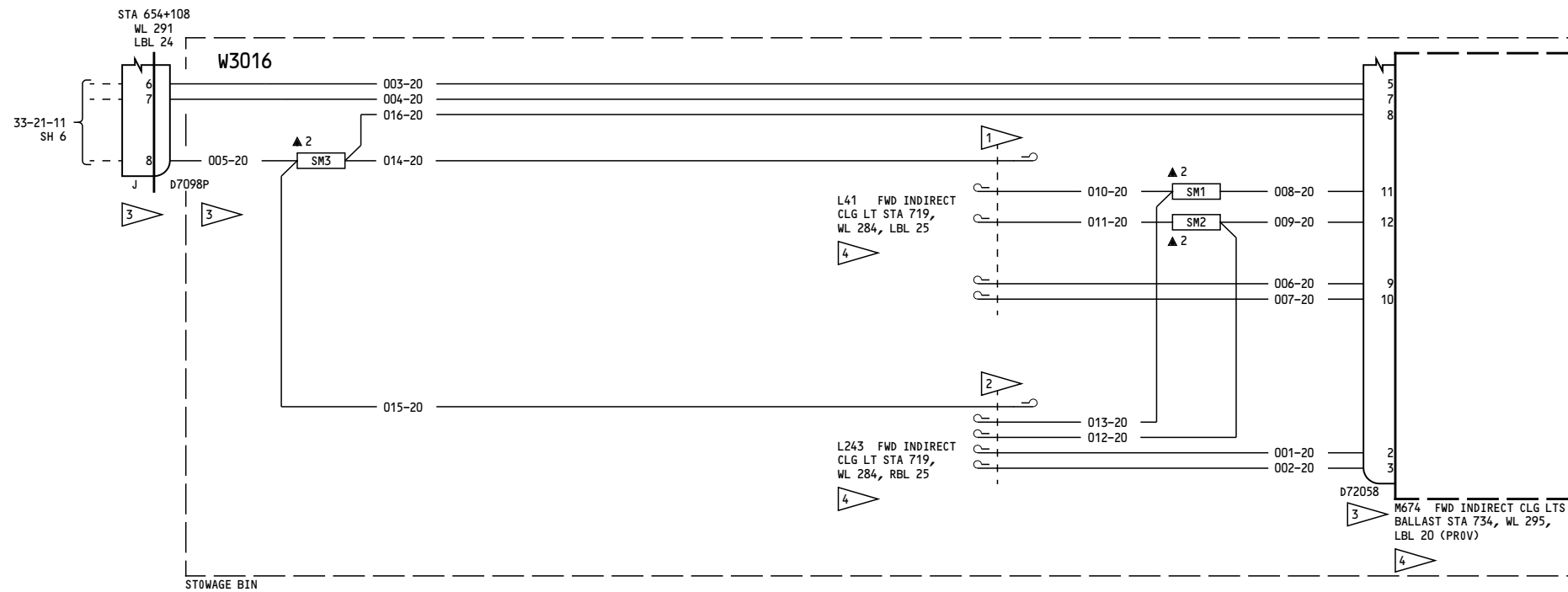
| | |
|-----|--------------------------------------------------------------------|
| 280 | <p>CEILING LIGHTS- FORWARD INDIRECT</p> <p>D280T132</p> |
|-----|--------------------------------------------------------------------|

33-21-11

Page 5.1A
Sheet 6
Jan 21/2005

33-21-11

Page 5.1A
Sheet 6
Jan 21/2005



NOTES:

- 1 CAP & STOW NEAR STA0719, LBL 25
- 2 CAP & STOW NEAR STA0719, RBL 25
- 3 CAP & STOW CONNECTOR FOR DELIVERY CONFIGURATION
- 4 INSTALLED FOR ALTERNATE CONFIGURATION

280

**CEILING LIGHTS-
FORWARD INDIRECT**

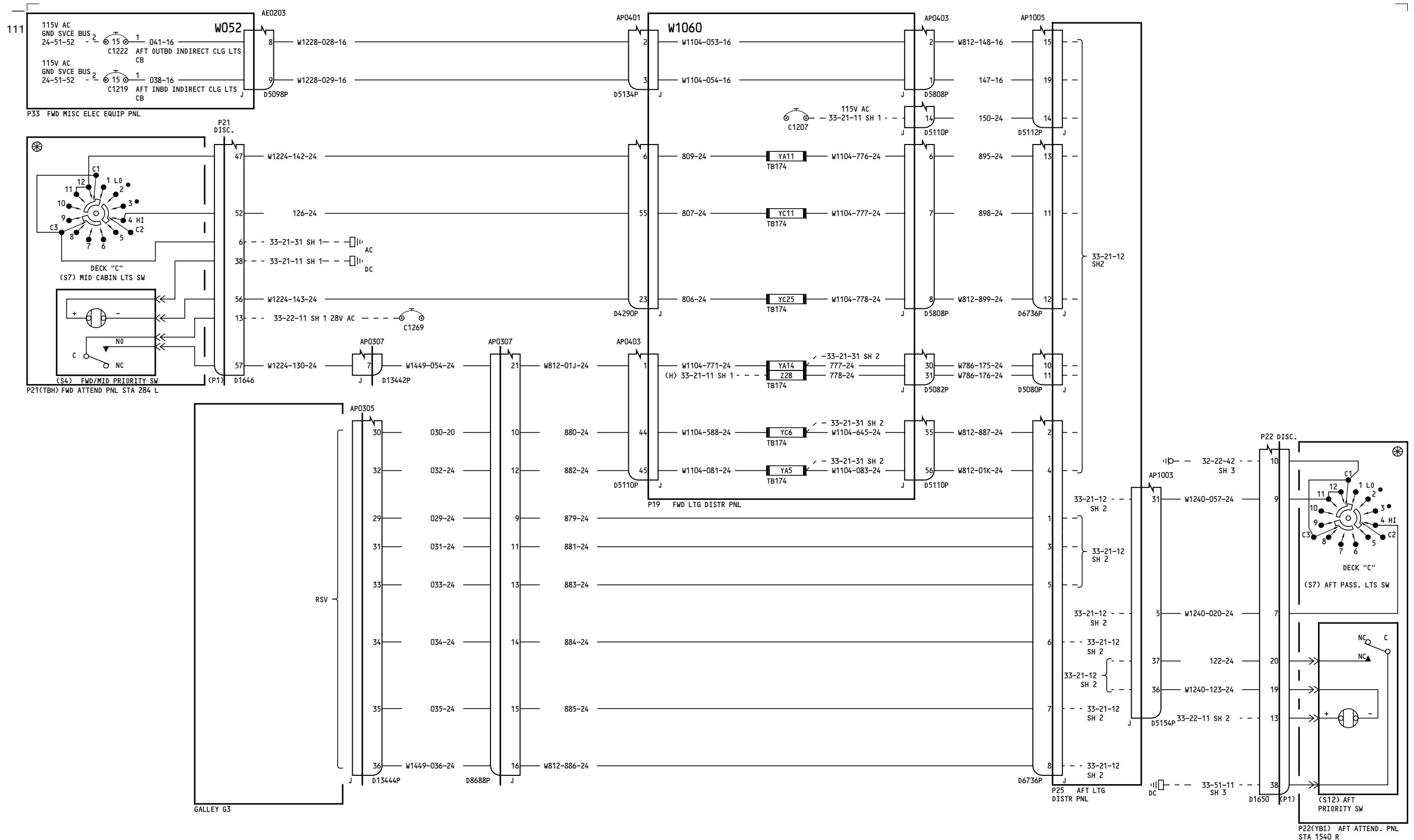
D280T132

33-21-11

Page 5.1A
Sheet 7
Jan 21/2005

33-21-11

Page 5.1A
Sheet 7
Jan 21/2005



050-051

**CEILING LIGHT CONTROL-
MID & AFT INDIRECT**

D280T132

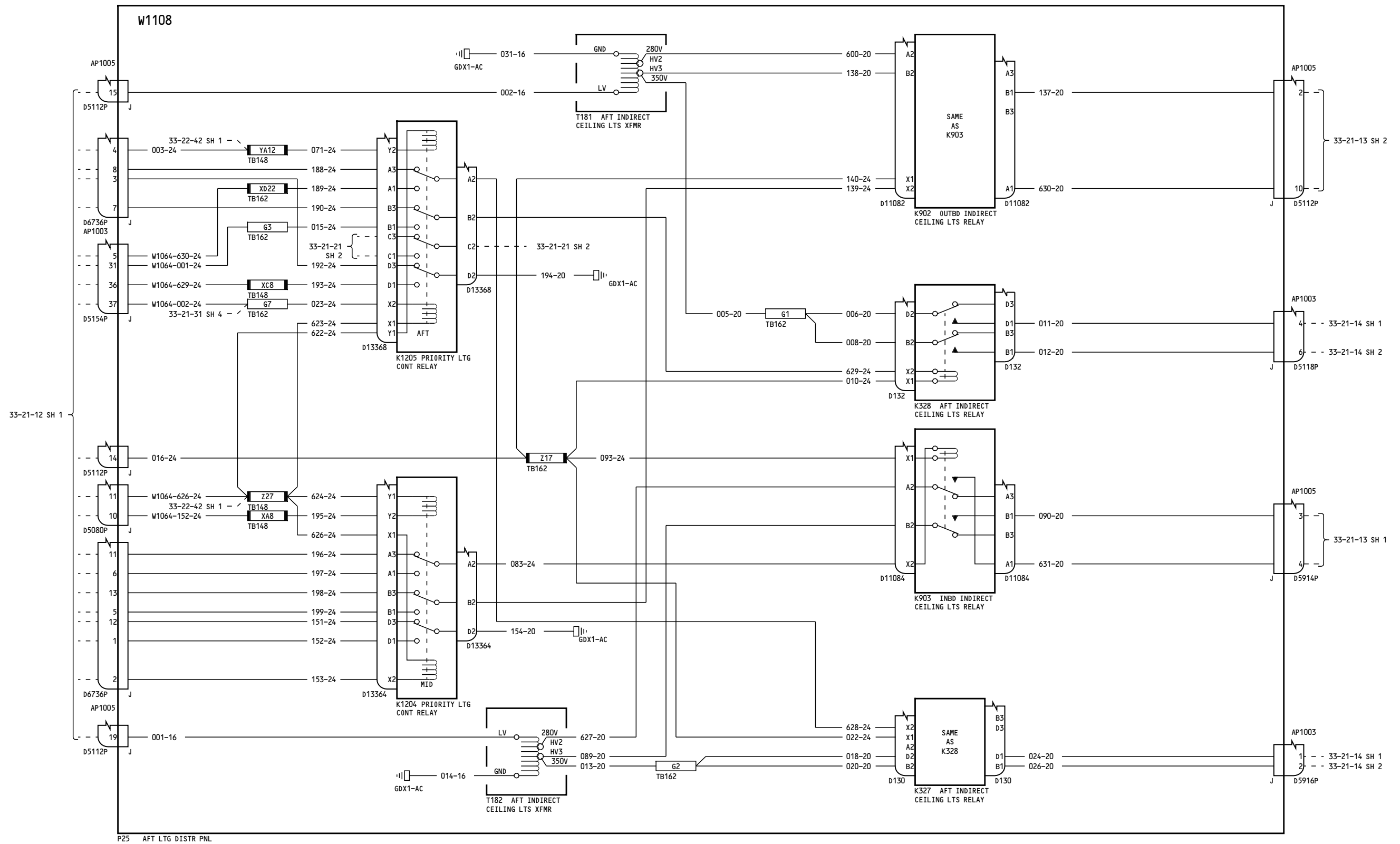
33-21-12

Page 1A
Sheet 1
Jan 21/2005

Incorporates
MTO 230540

33-21-12

Page 1A
Sheet 1
Jan 21/2005



050-051

**CEILING LIGHT CONTROL-
MID & AFT INDIRECT**

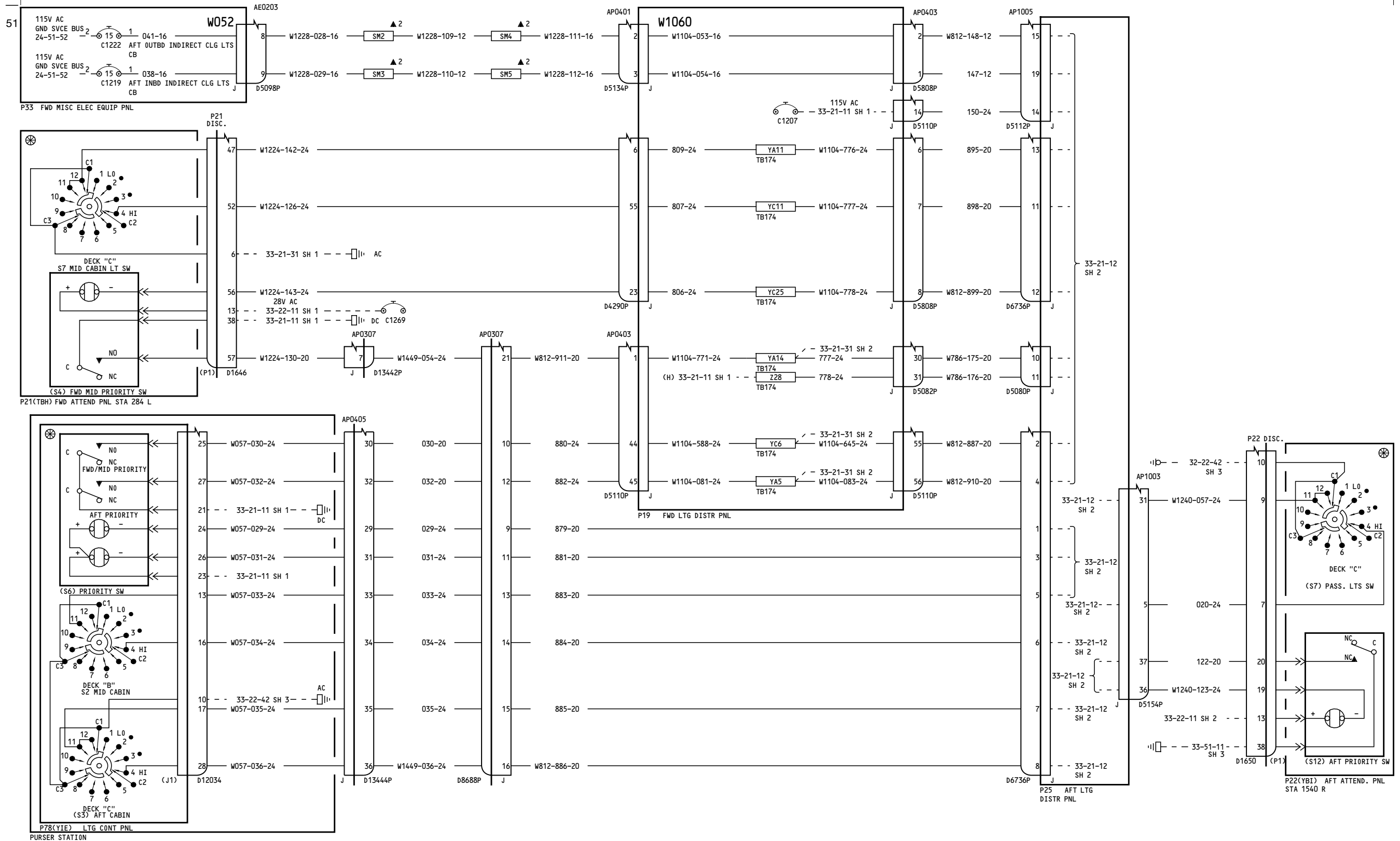
33-21-12

D280T132

Page 1A
Sheet 2
Jan 21/2005

33-21-12

Page 1A
Sheet 2
Jan 21/2005



150-199

**CEILING LIGHT CONTROL-
MID & AFT INDIRECT**

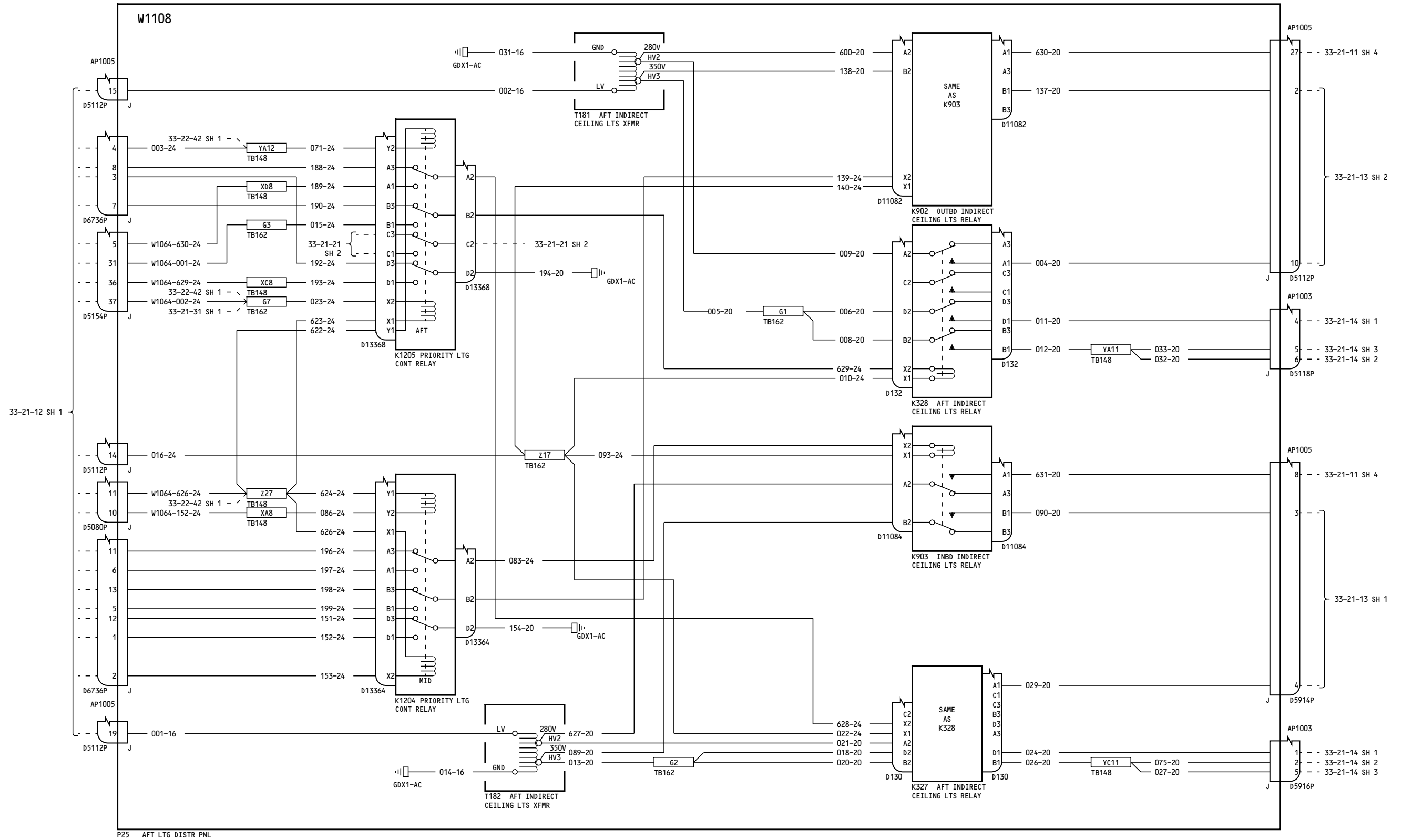
D280T132

33-21-12

Page 2
Sheet 1
Jan 21/2005

33-21-12

Page 2
Sheet 1
Jan 21/2005



150-199

**CEILING LIGHT CONTROL-
MID & AFT INDIRECT**

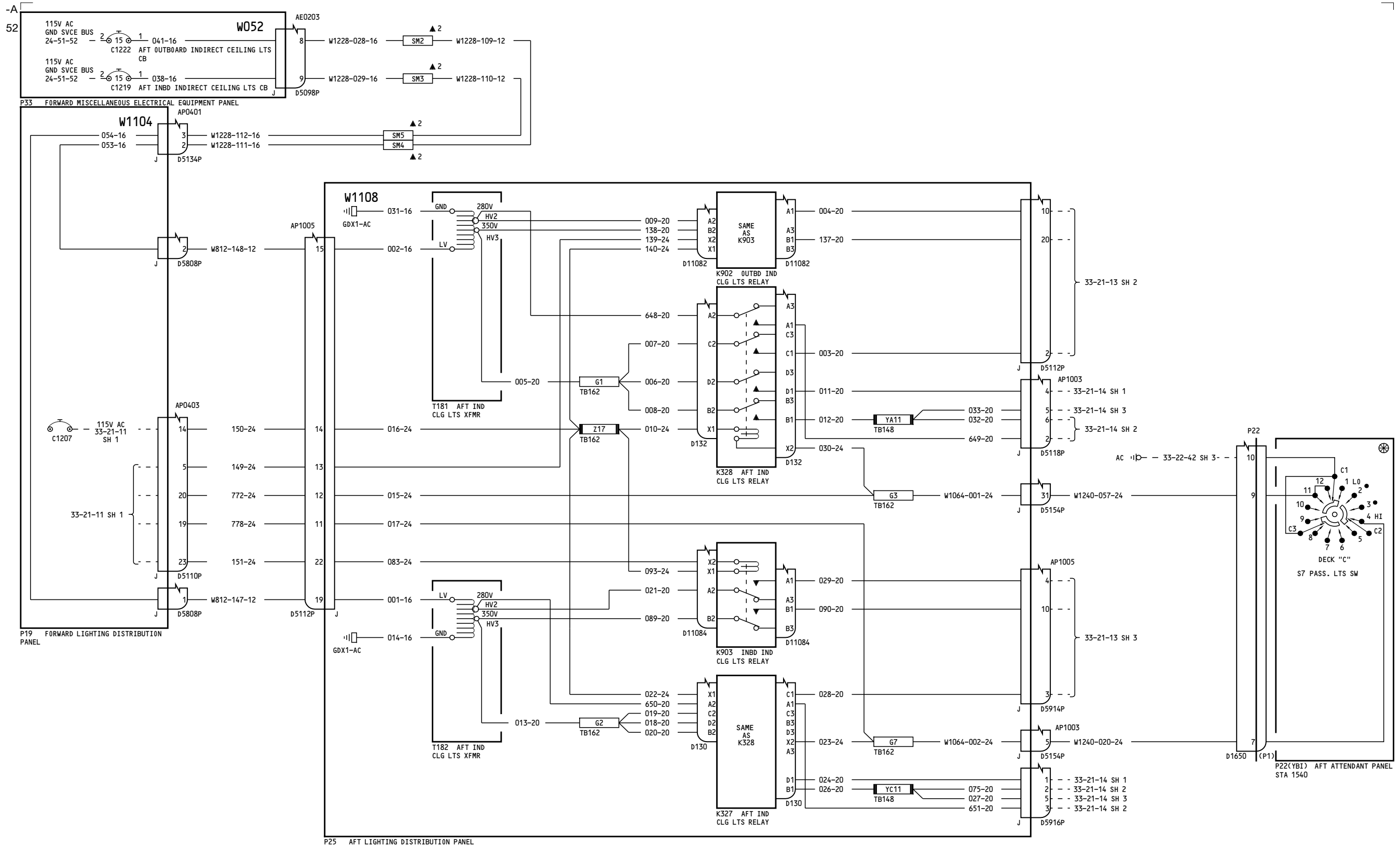
33-21-12

Page 2
Sheet 2
Jan 21/2005

D280T132

33-21-12

Page 2
Sheet 2
Jan 21/2005



275-278

**CEILING LIGHT CONTROL-
MID & AFT INDIRECT**

33-21-12

Page 3

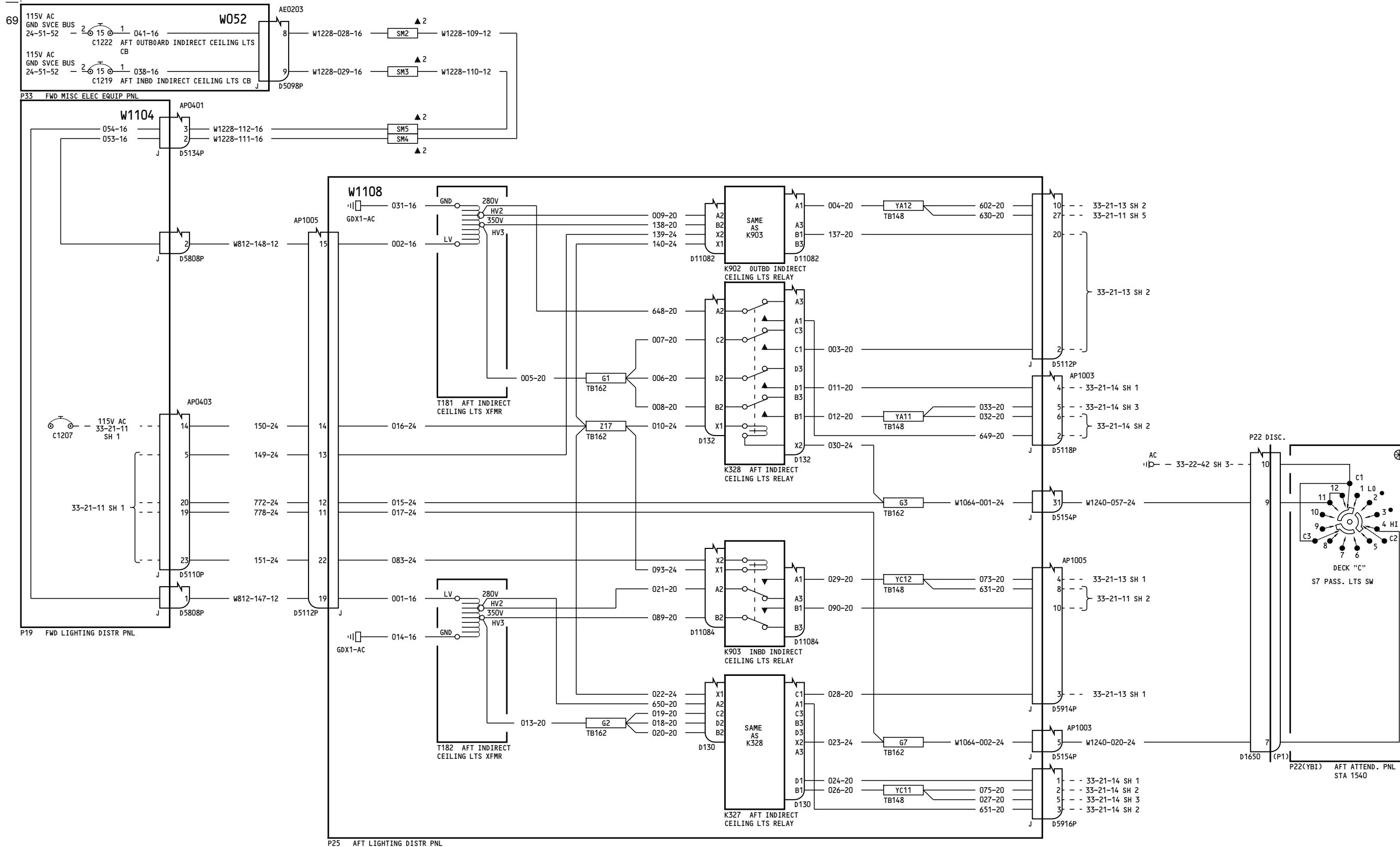
Jan 21/2005

D280T132

33-21-12

Page 3

Jan 21/2005



280-299

**CEILING LIGHT CONTROL-
MID & AFT INDIRECT**

33-21-12

Page 4

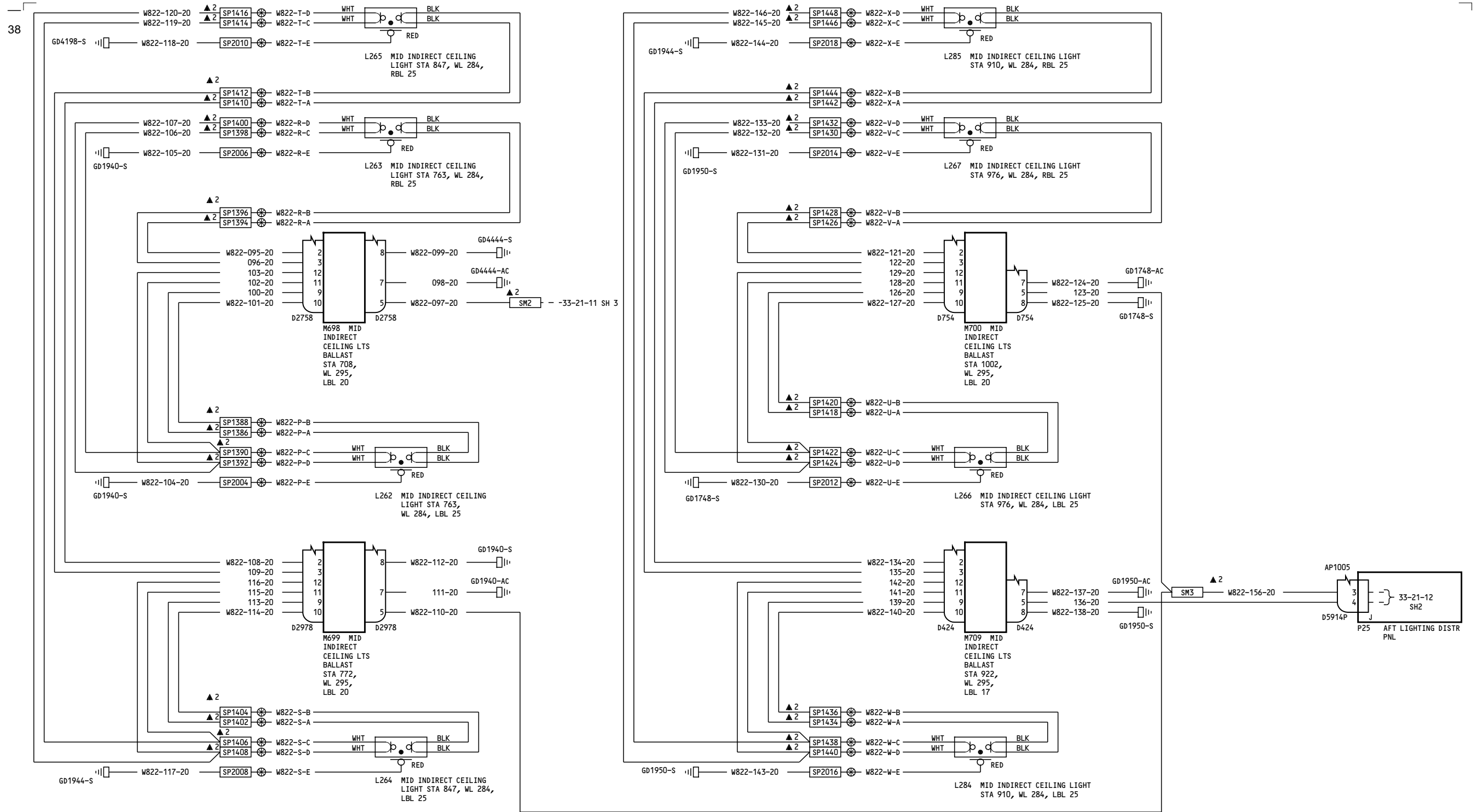
Jan 21/2005

D280T132

33-21-12

Page 4

Jan 21/2005



050-099

CEILING LIGHTS- MID INDIRECT

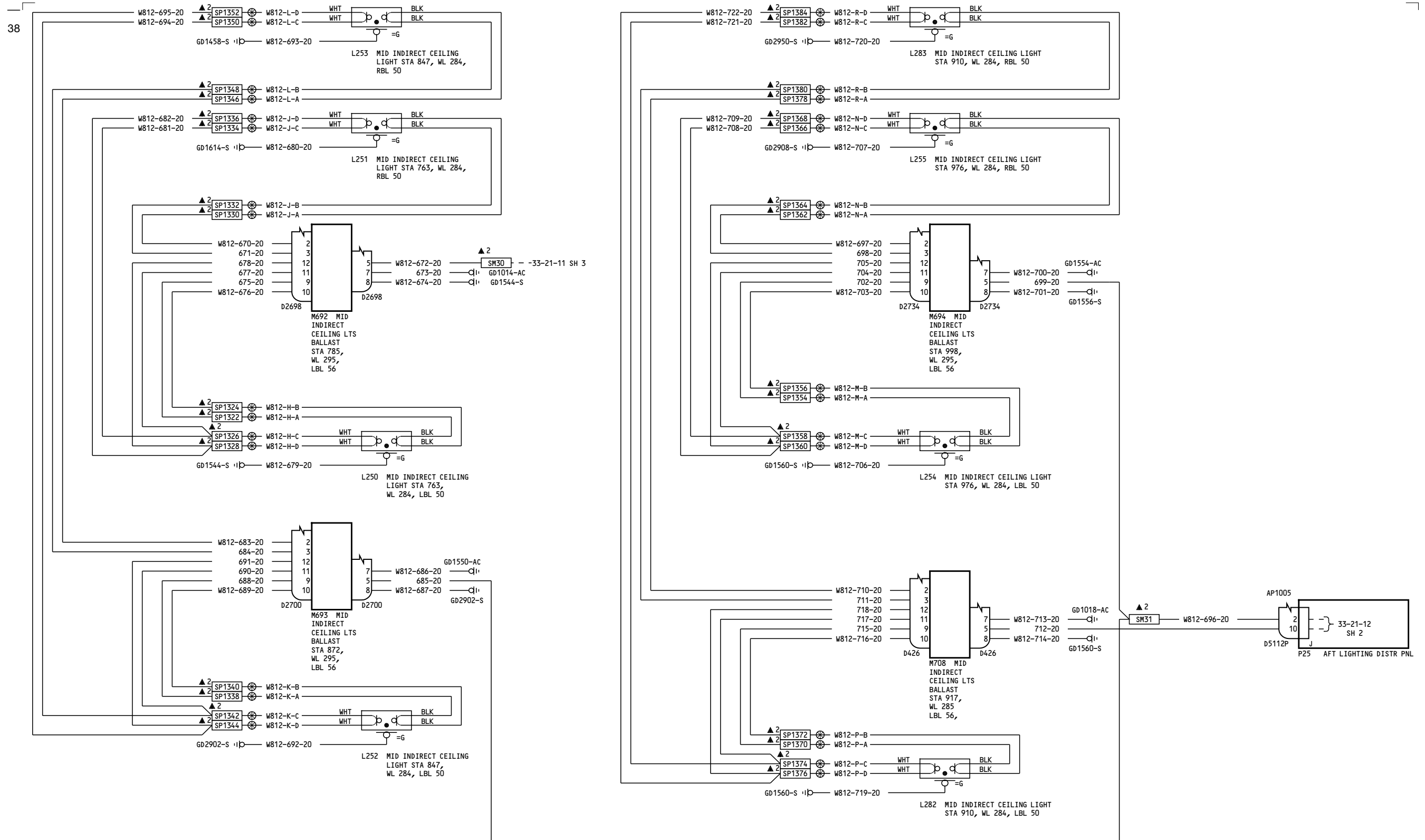
D280T132

33-21-13

Page 1
Sheet 1
Jan 21/2005

33-21-13

Page 1
Sheet 1
Jan 21/2005



050-099

**CEILING LIGHTS-
MID INDIRECT**

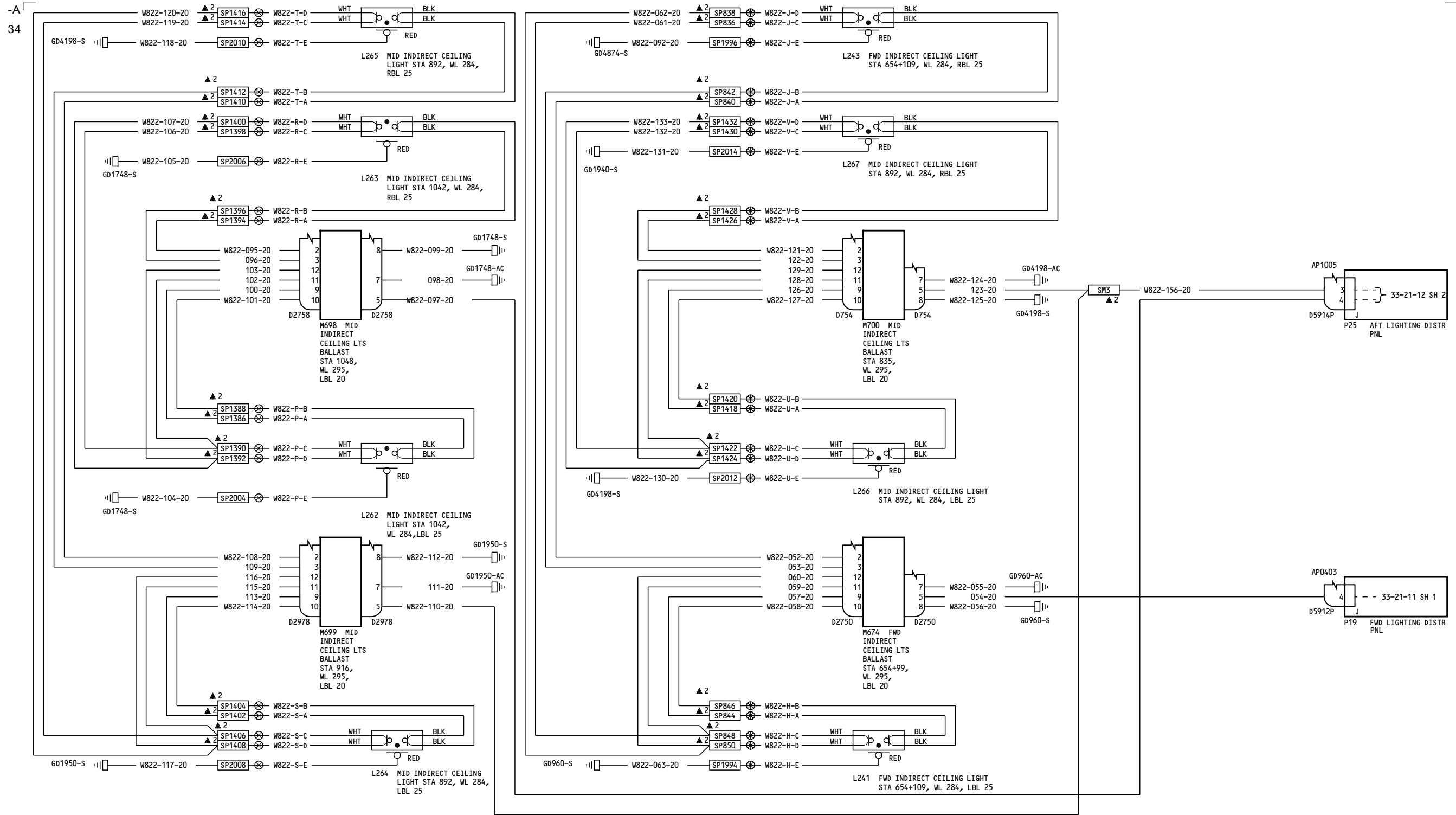
D280T132

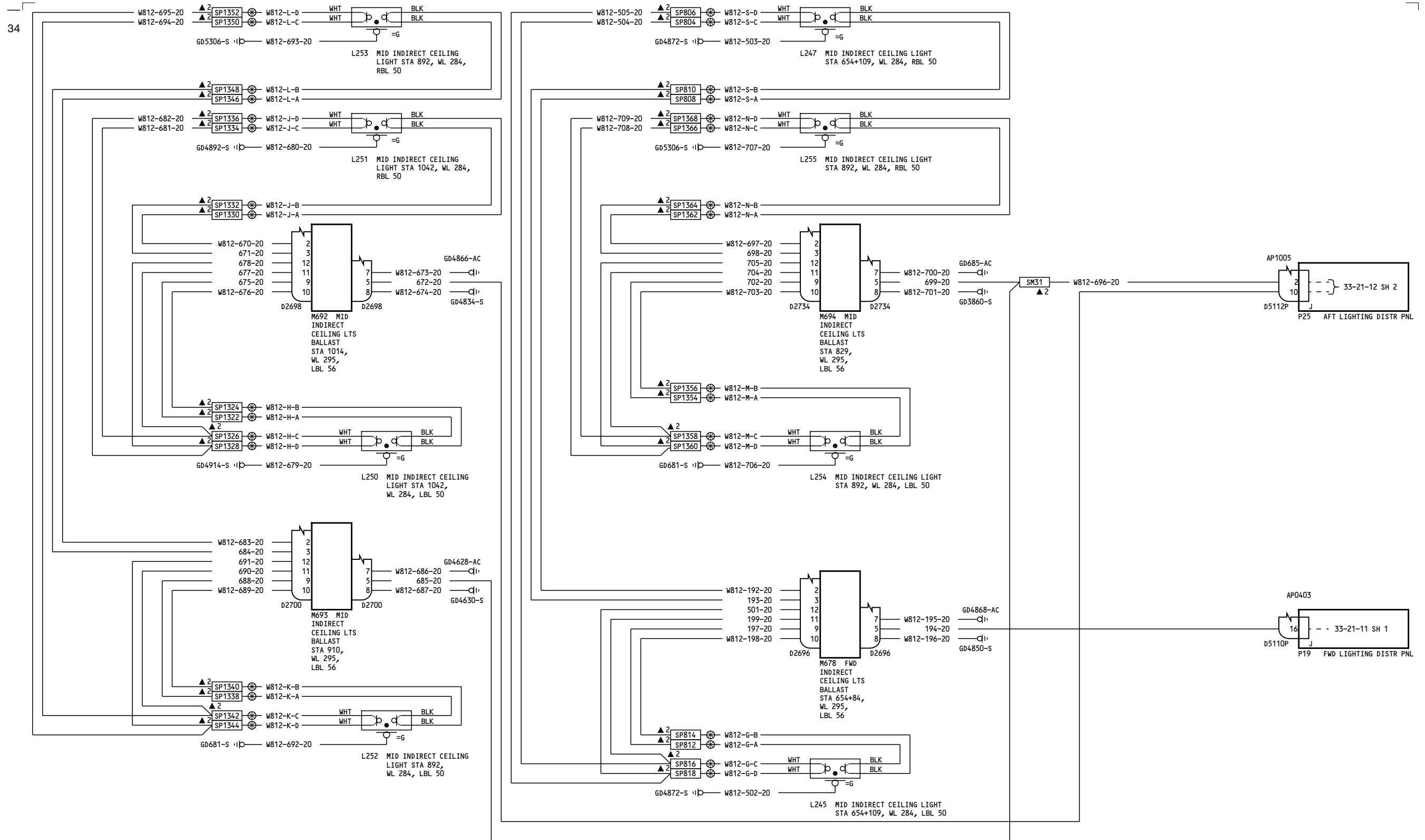
33-21-13

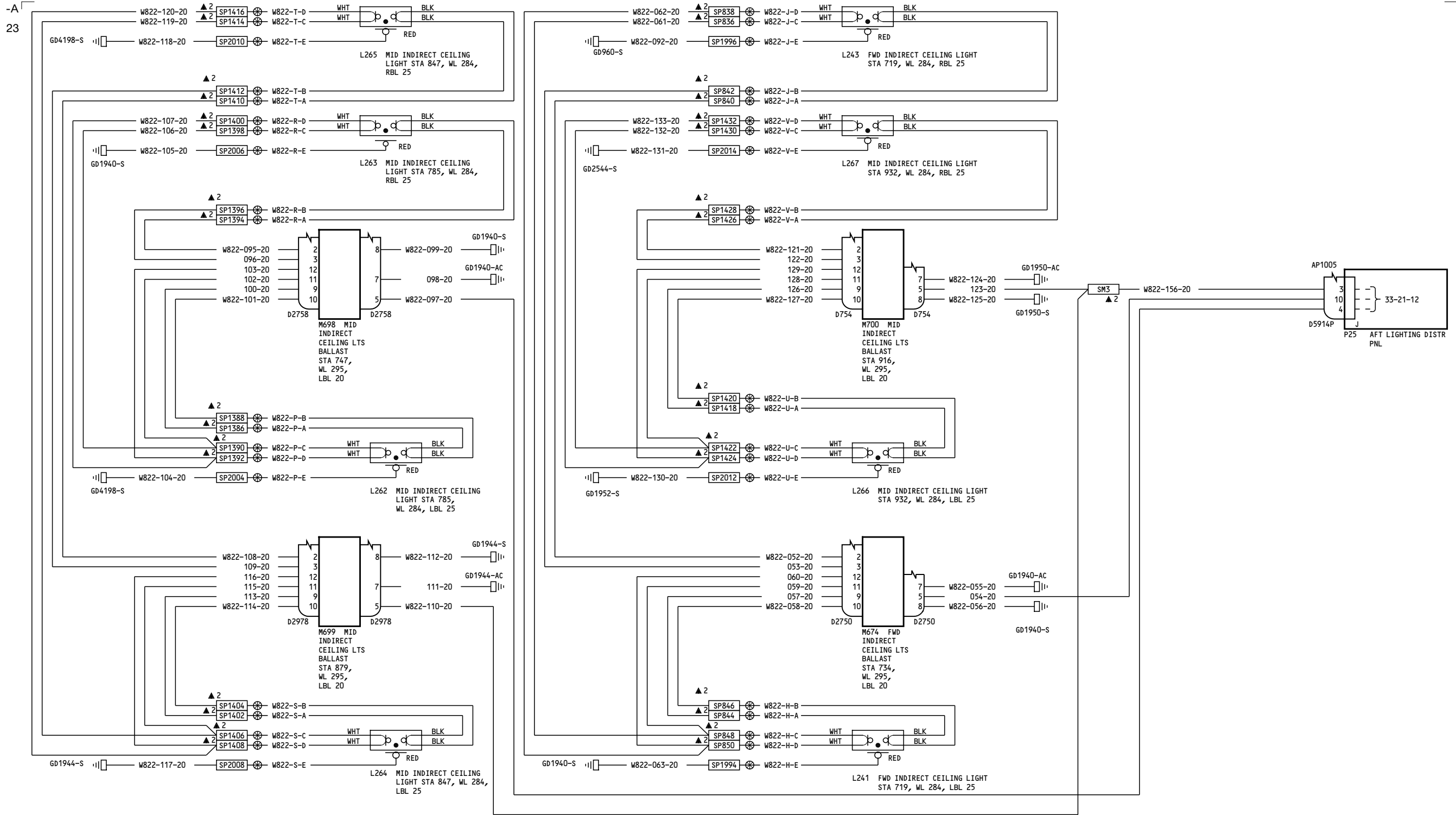
Page 1
Sheet 2
Jan 21/2005

33-21-13

Page 1
Sheet 2
Jan 21/2005







275-278

**CEILING LIGHTS-
MID INDIRECT**

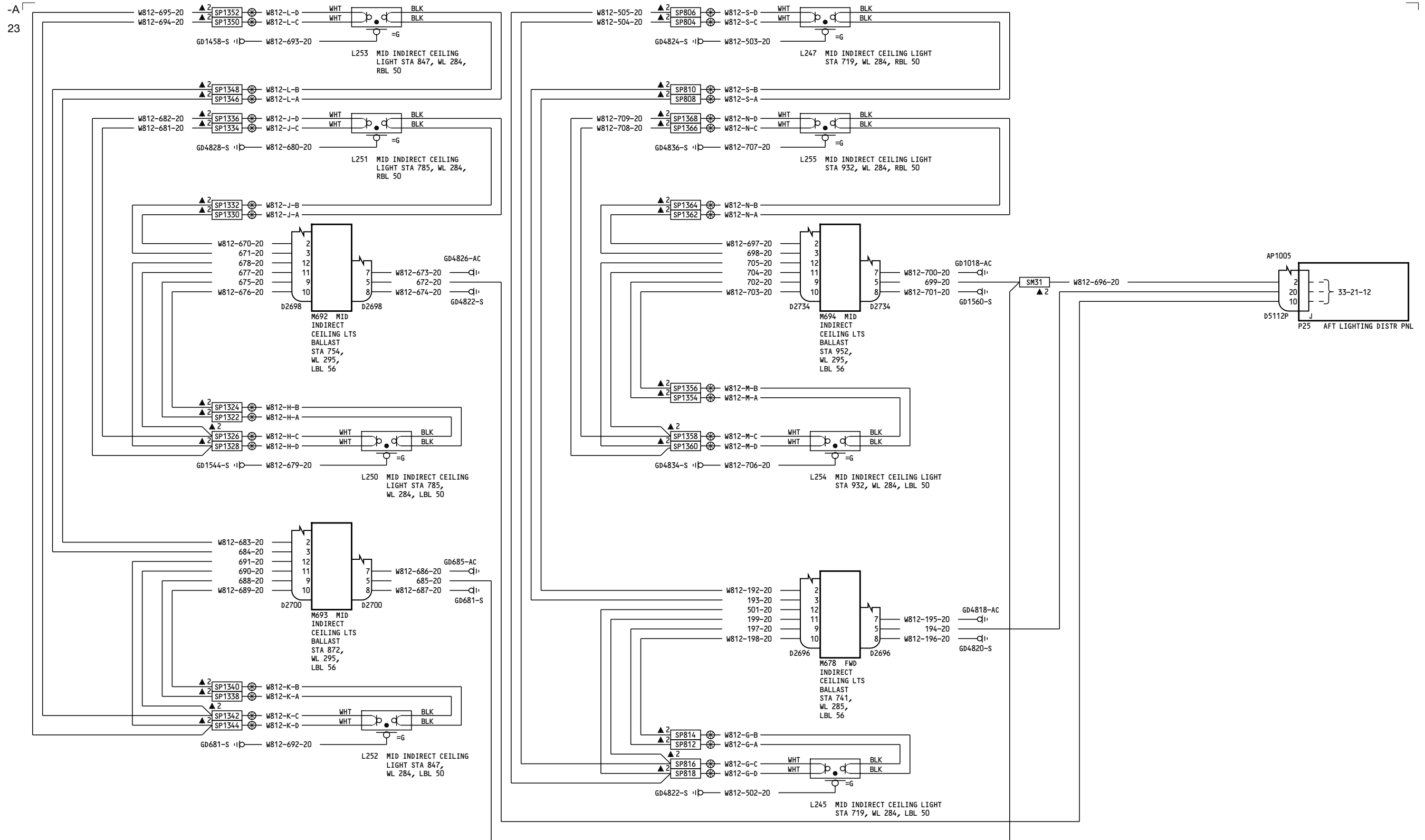
D280T132

33-21-13

Page 3
Sheet 1
Jan 21/2005

33-21-13

Page 3
Sheet 1
Jan 21/2005



275-278

**CEILING LIGHTS-
MID INDIRECT**

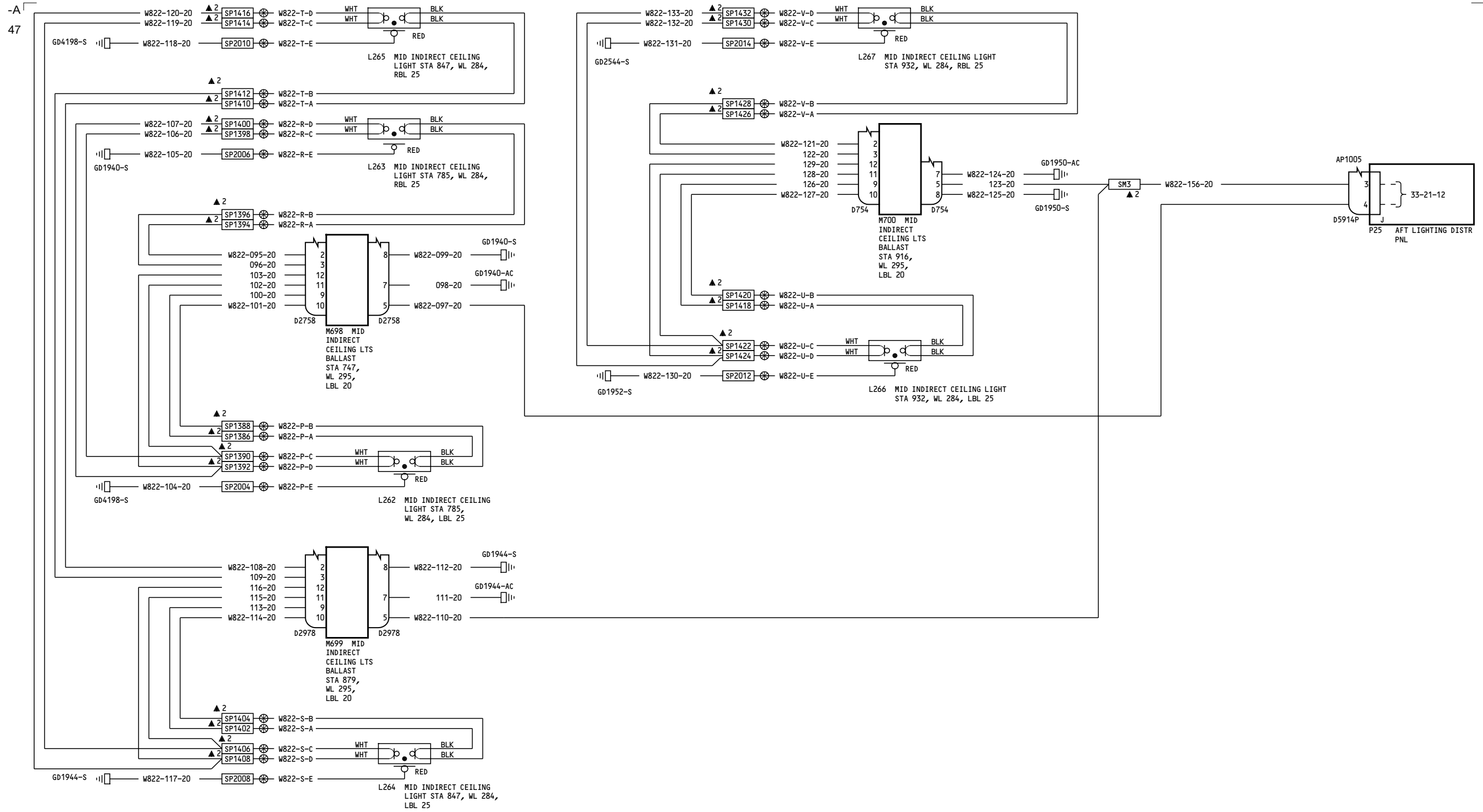
D280T132

33-21-13

Page 3
Sheet 2
Jan 21/2005

33-21-13

Page 3
Sheet 2
Jan 21/2005



280-299

**CEILING LIGHTS-
MID INDIRECT**

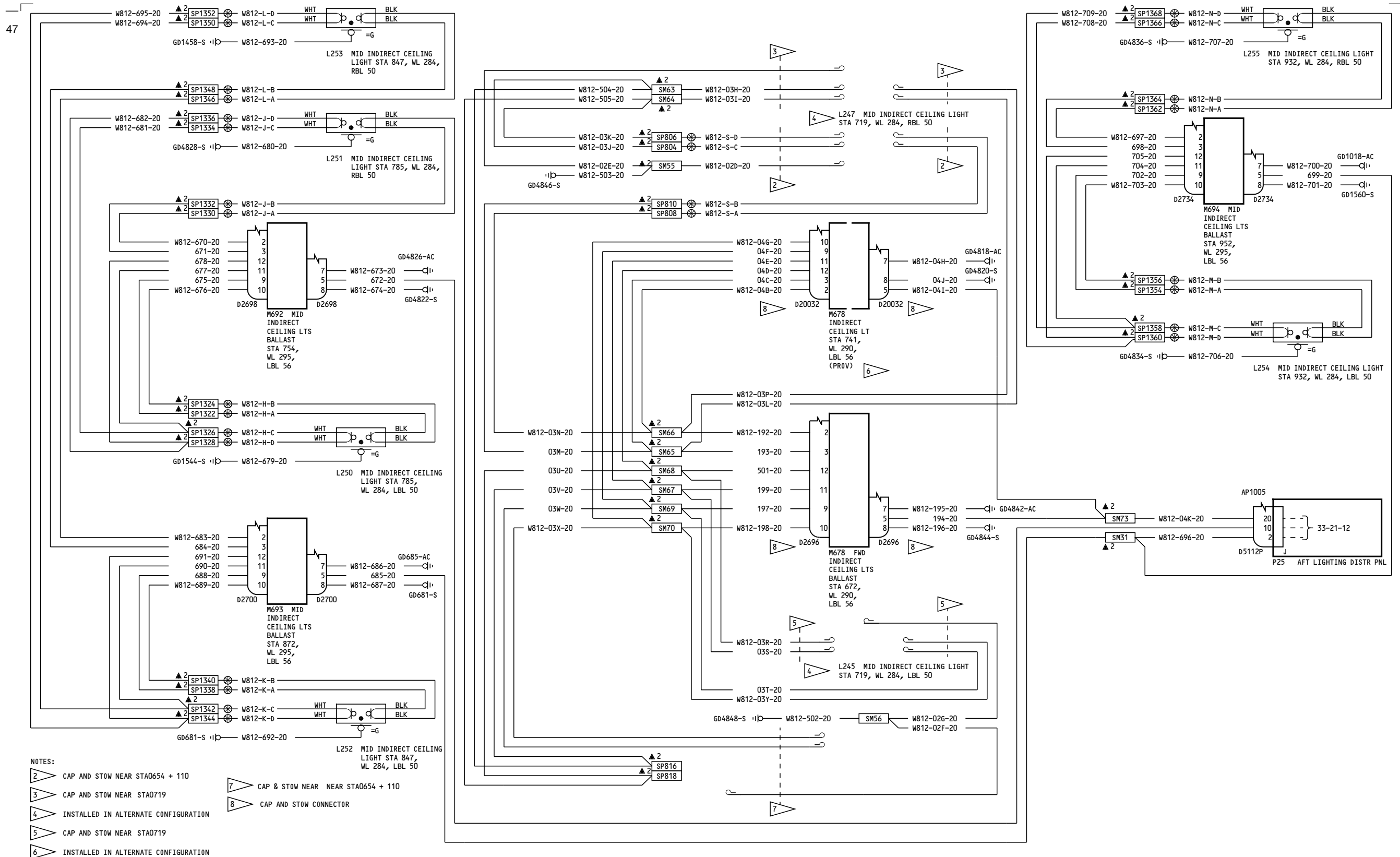
D280T132

33-21-13

Page 4
Sheet 1
Jan 21/2005

33-21-13

Page 4
Sheet 1
Jan 21/2005



- NOTES:
- 2 CAP AND STOW NEAR STA0654 + 110
 - 3 CAP AND STOW NEAR STA0719
 - 4 INSTALLED IN ALTERNATE CONFIGURATION
 - 5 CAP AND STOW NEAR STA0719
 - 6 INSTALLED IN ALTERNATE CONFIGURATION
 - 7 CAP & STOW NEAR NEAR STA0654 + 110
 - 8 CAP AND STOW CONNECTOR

280-299

**CEILING LIGHTS-
MID INDIRECT**

D280T132

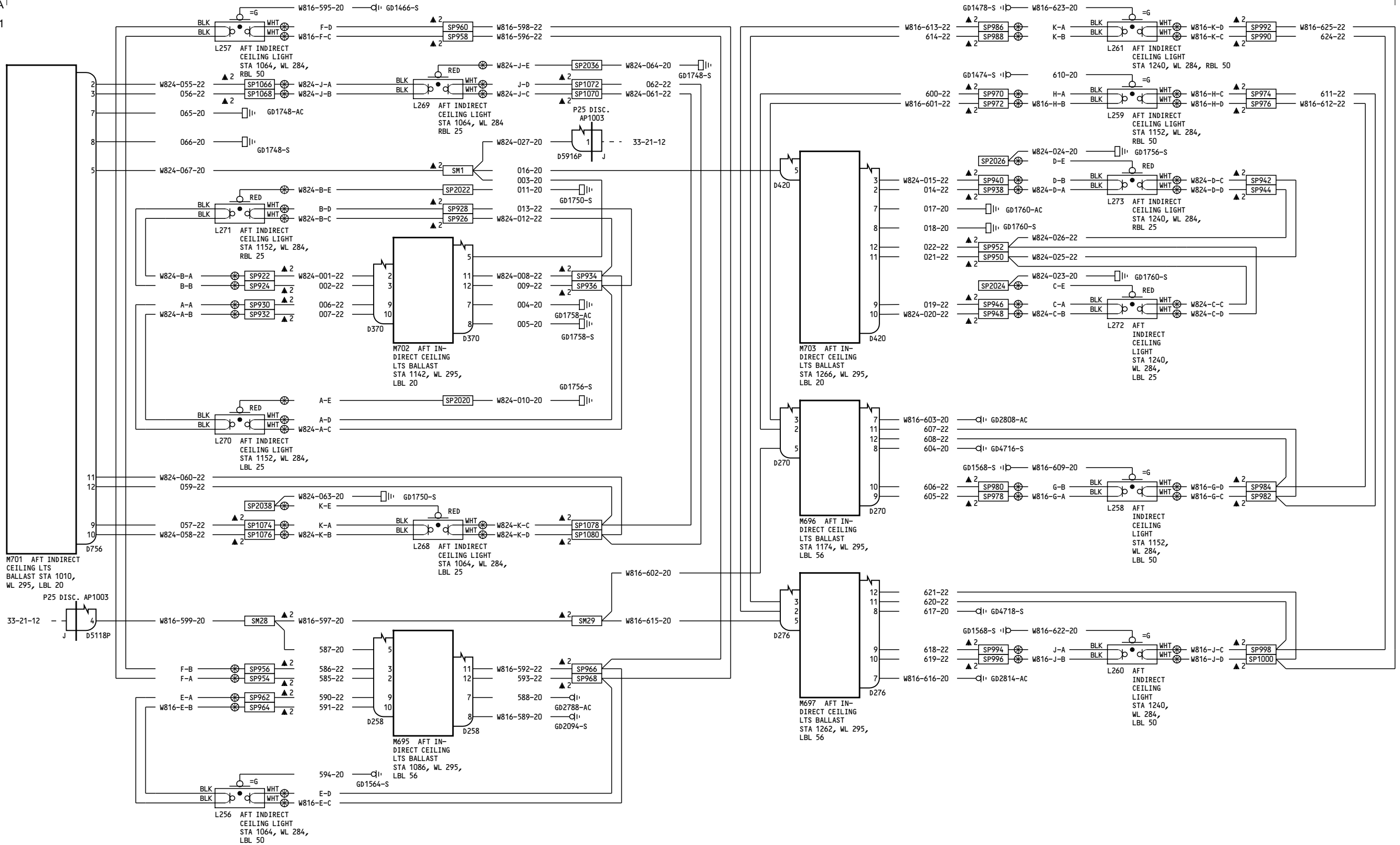
33-21-13

Page 4
Sheet 2
Jan 21/2005

33-21-13

Page 4
Sheet 2
Jan 21/2005

-A
21



050-099

**CEILING LIGHTS-
AFT INDIRECT**

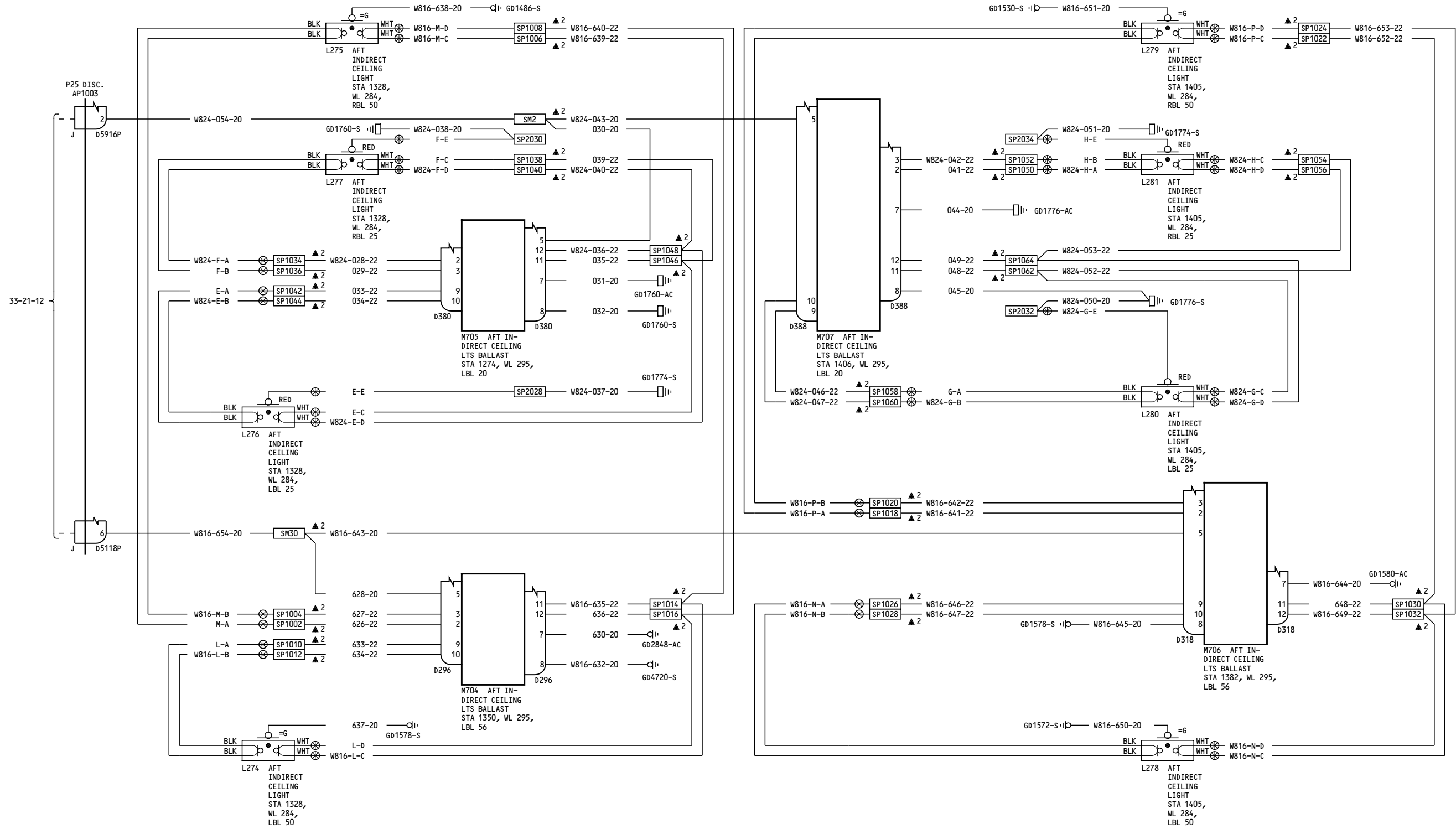
33-21-14

D280T132

Page 1
Sheet 1
Jan 21/2005

33-21-14

Page 1
Sheet 1
Jan 21/2005



050-099

**CEILING LIGHTS-
AFT INDIRECT**

33-21-14

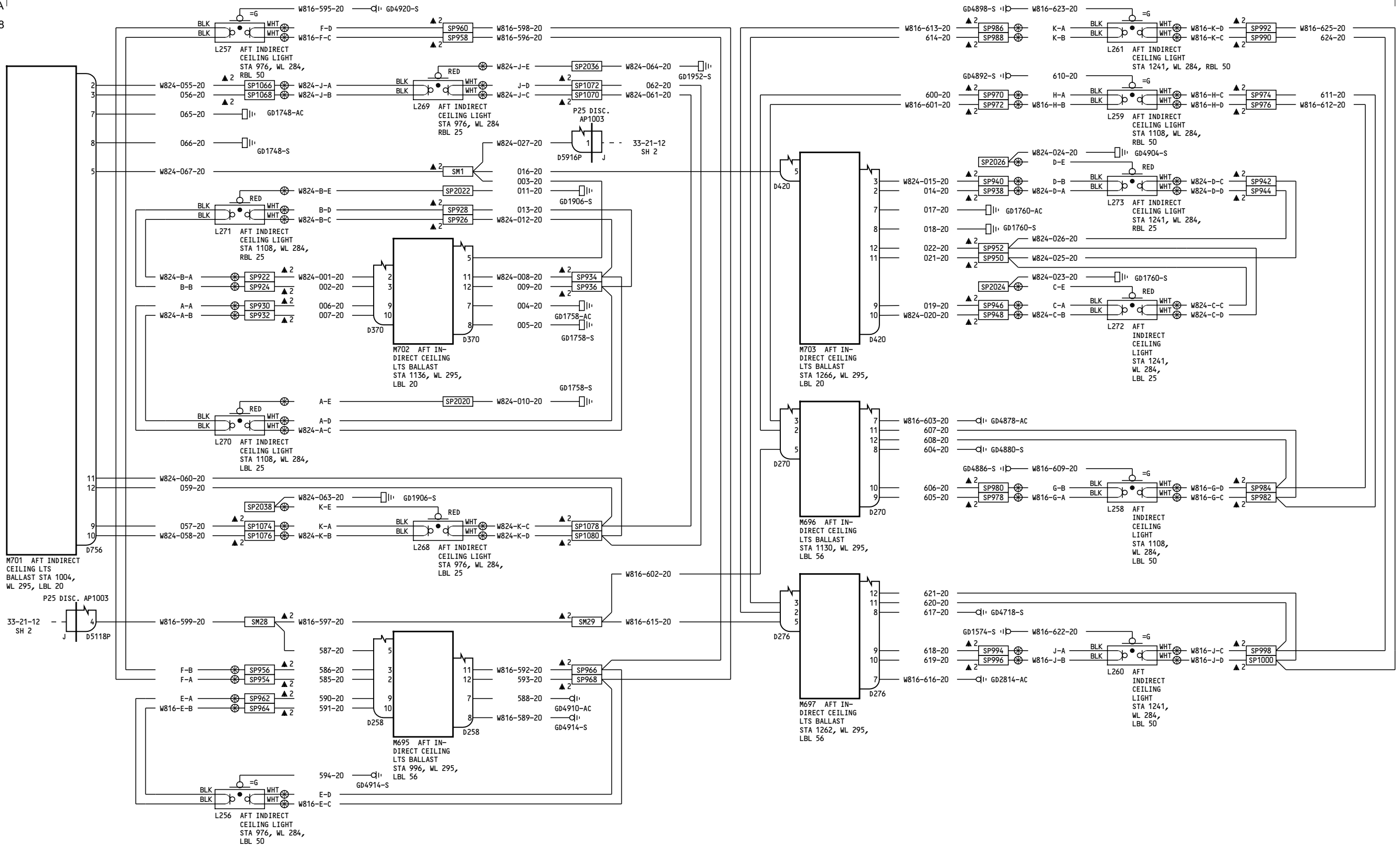
D280T132

Page 1
Sheet 2
Jan 21/2005

33-21-14

Page 1
Sheet 2
Jan 21/2005

-A
18



150-157

**CEILING LIGHTS-
AFT INDIRECT**

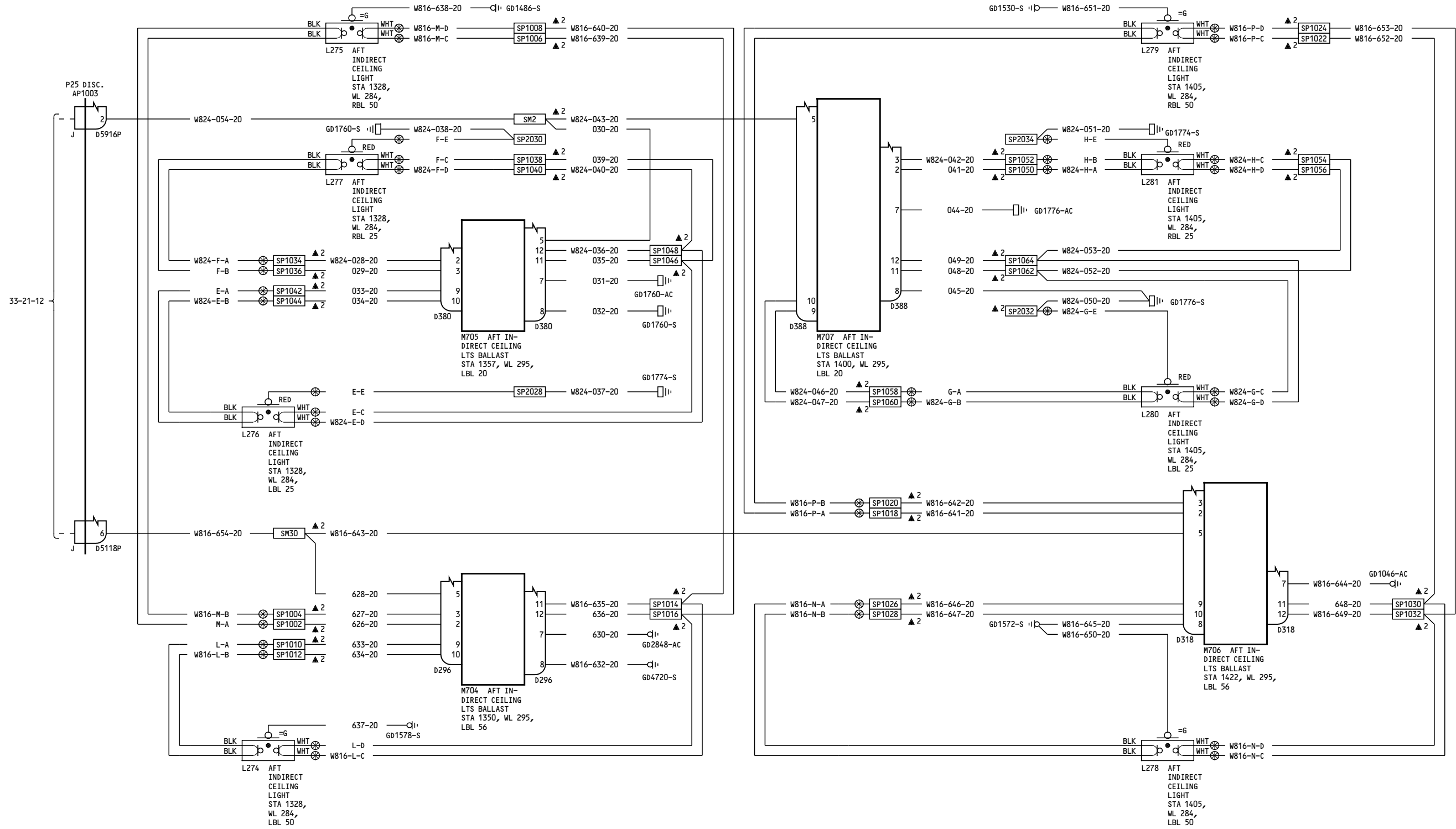
33-21-14

Page 2
Sheet 1
Jan 21/2005

D280T132

33-21-14

Page 2
Sheet 1
Jan 21/2005



150-157

**CEILING LIGHTS-
AFT INDIRECT**

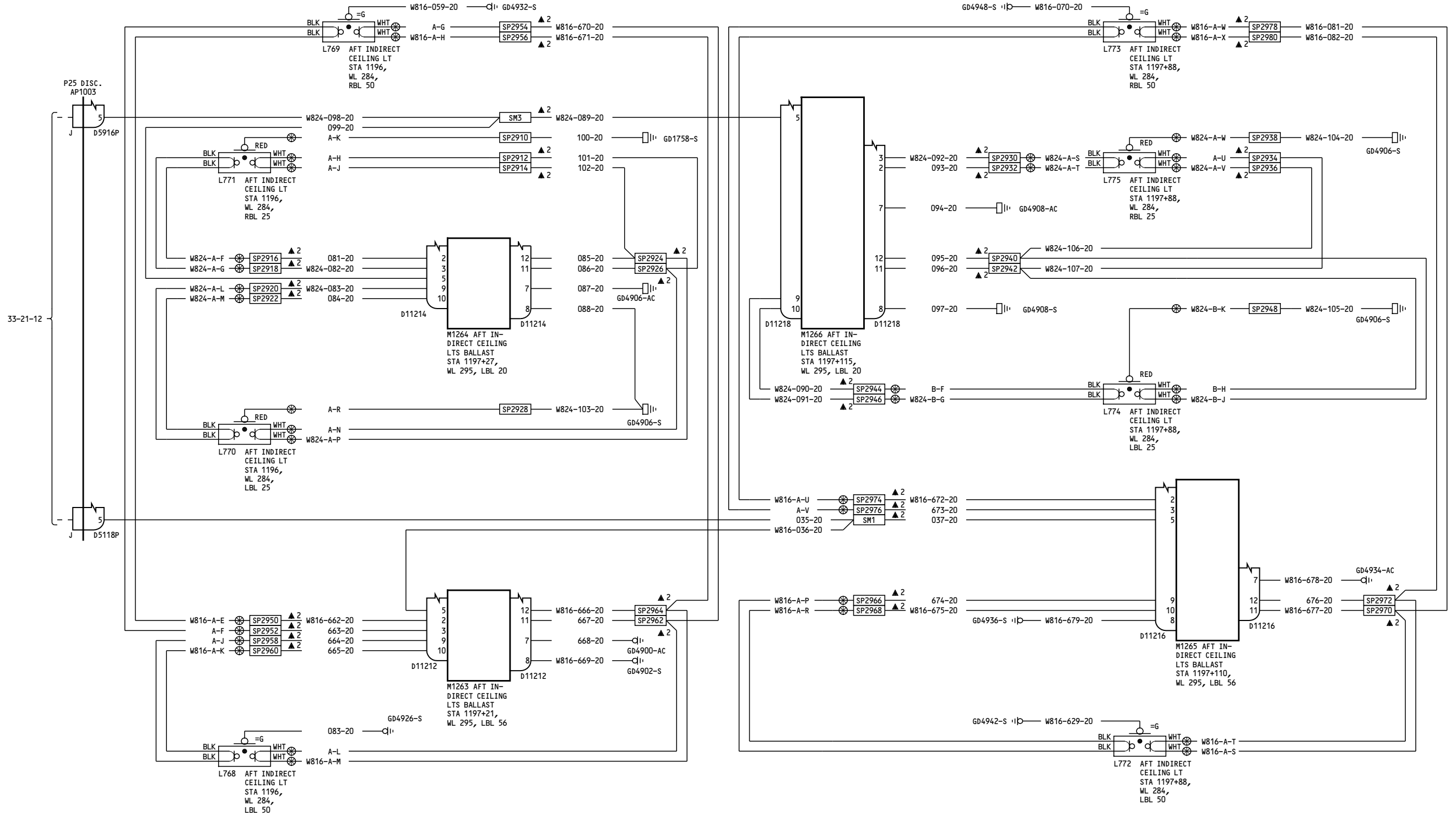
33-21-14

D280T132

Page 2
Sheet 2
Jan 21/2005

33-21-14

Page 2
Sheet 2
Jan 21/2005



150-157

**CEILING LIGHTS-
AFT INDIRECT**

33-21-14

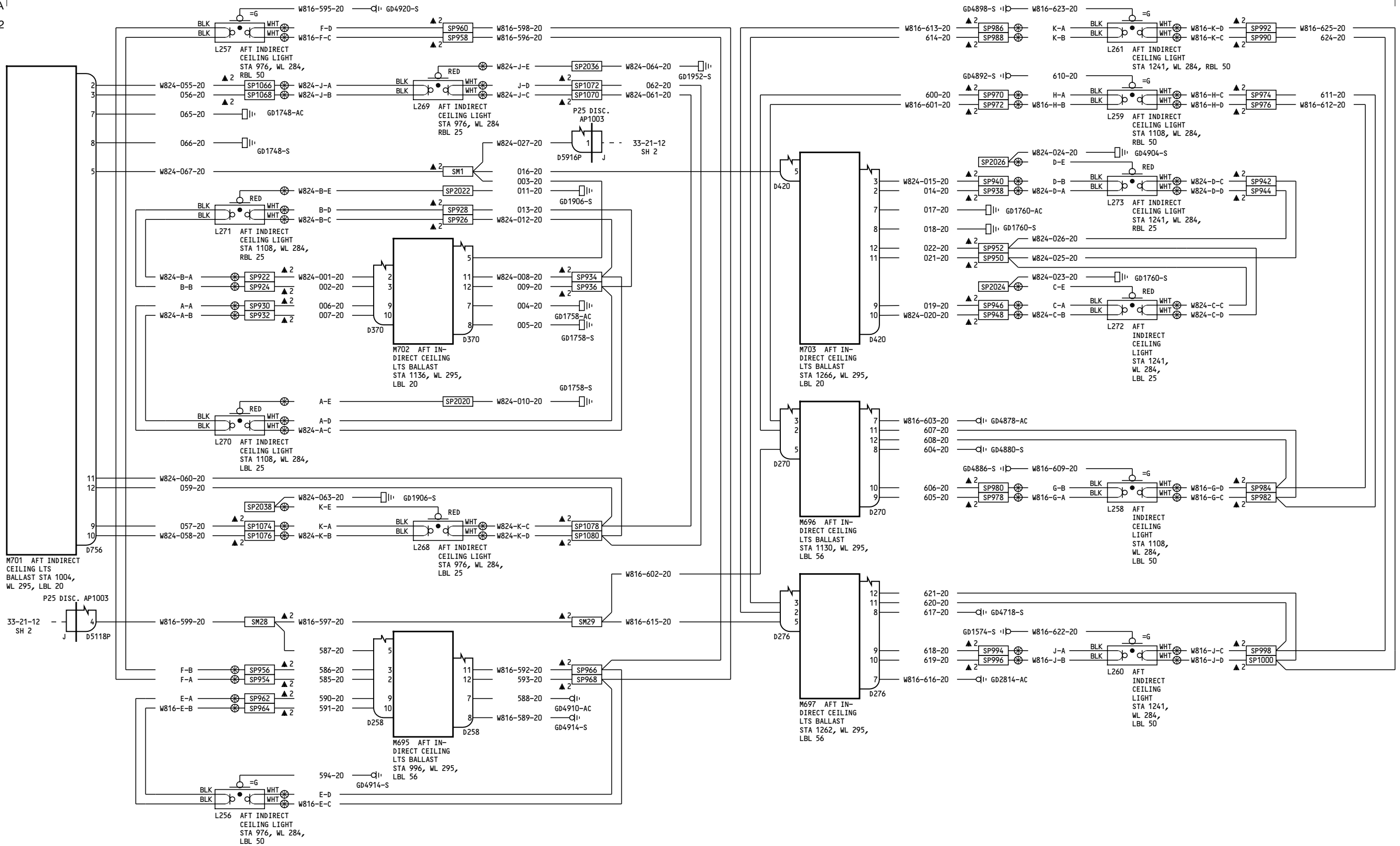
D280T132

Page 2
Sheet 3
Jan 21/2005

33-21-14

Page 2
Sheet 3
Jan 21/2005

-A
22



162-199

CEILING LIGHTS- AFT INDIRECT

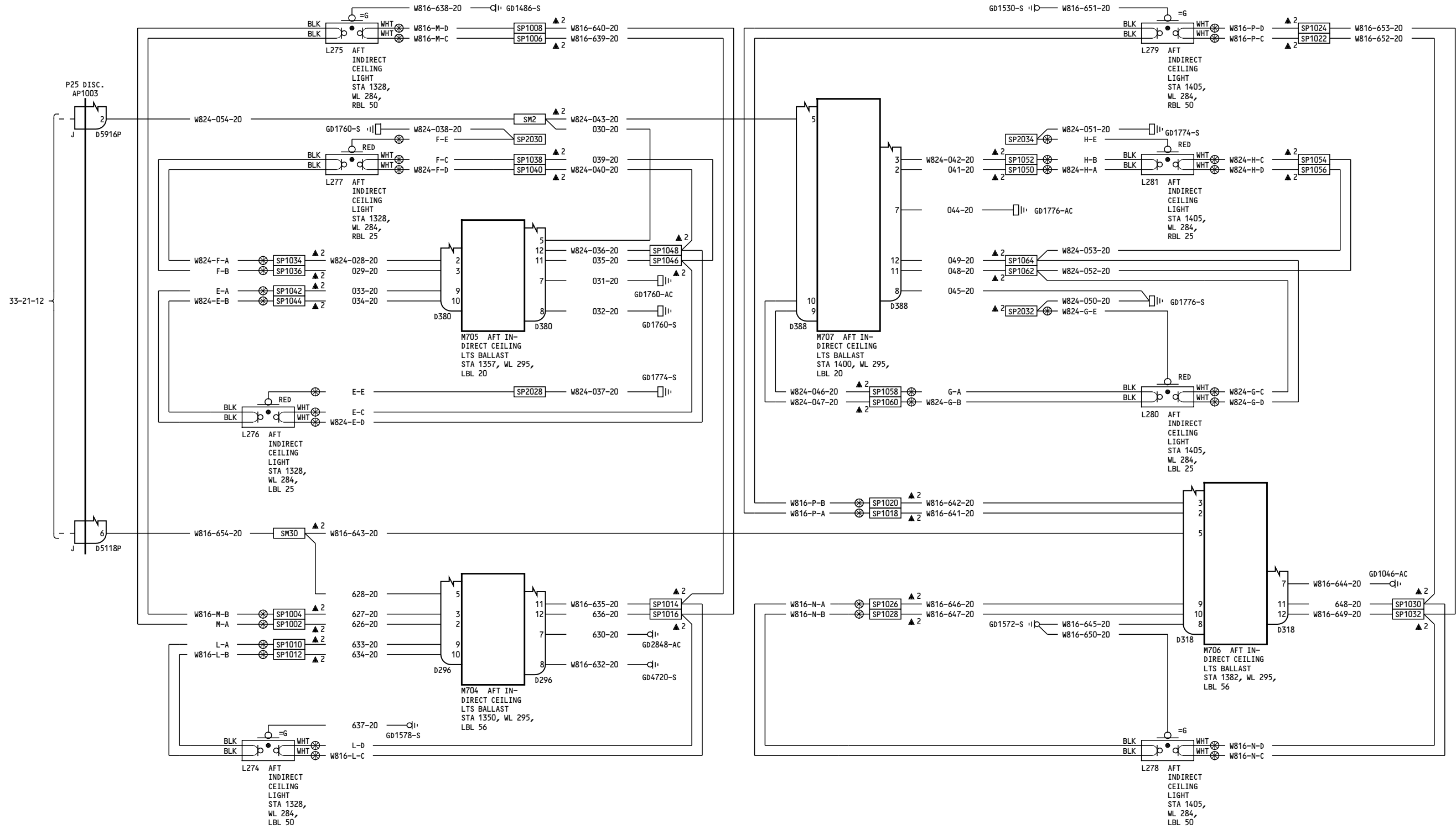
33-21-14

Page 3
Sheet 1
Jan 21/2005

D280T132

33-21-14

Page 3
Sheet 1
Jan 21/2005



162-199

**CEILING LIGHTS-
AFT INDIRECT**

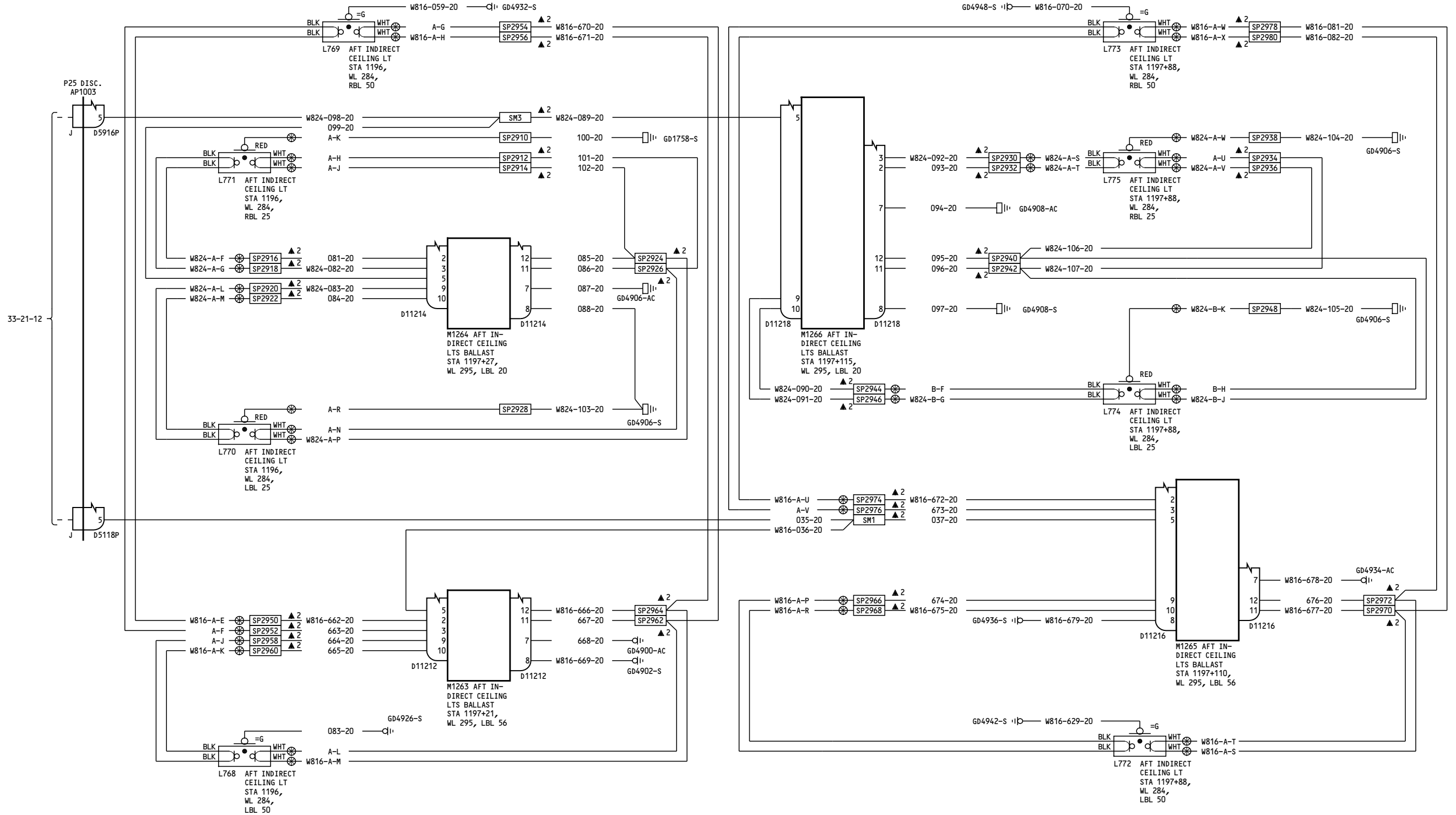
33-21-14

D280T132

Page 3
Sheet 2
Jan 21/2005

33-21-14

Page 3
Sheet 2
Jan 21/2005



162-199

**CEILING LIGHTS-
AFT INDIRECT**

33-21-14

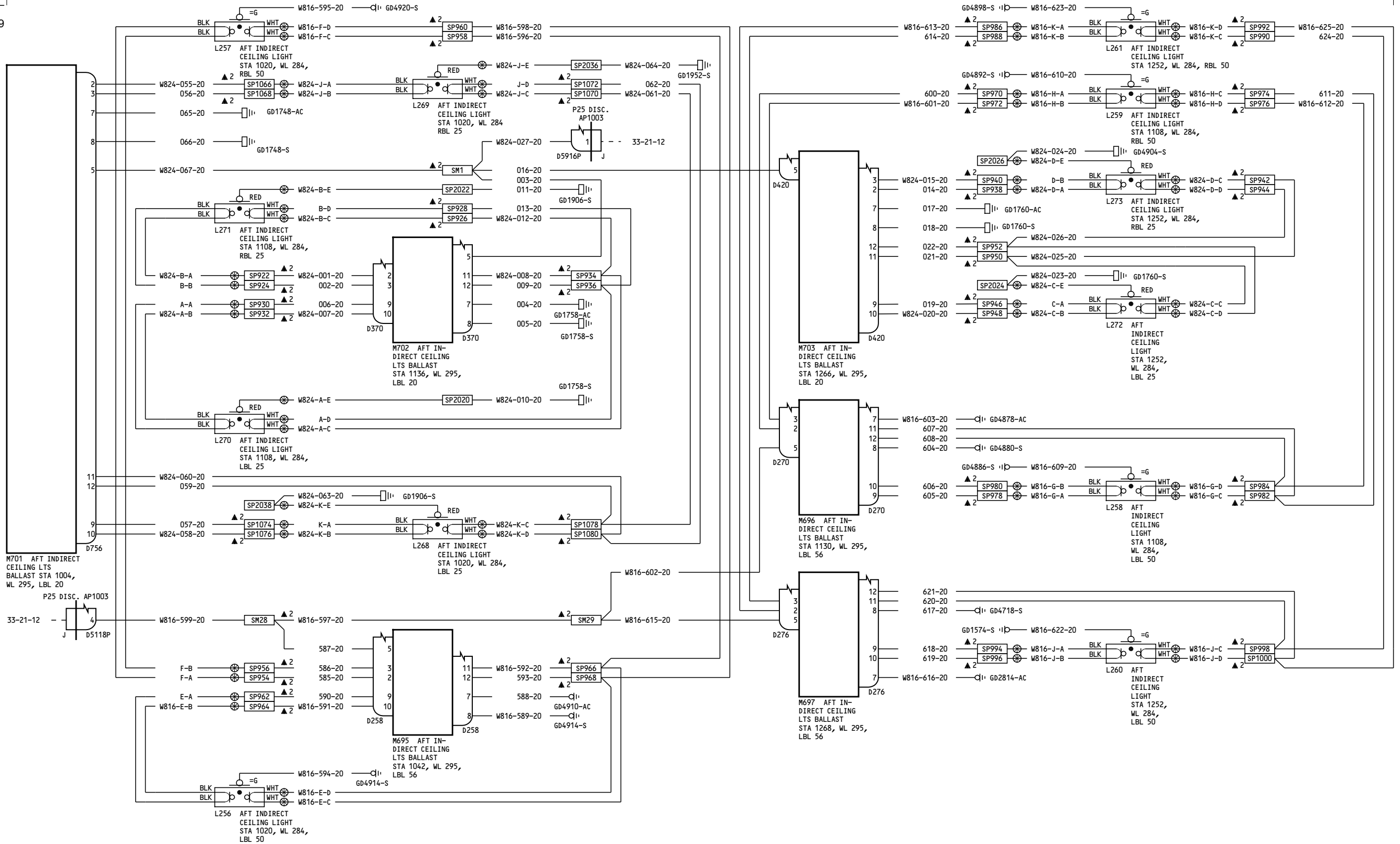
D280T132

Page 3
Sheet 3
Jan 21/2005

33-21-14

Page 3
Sheet 3
Jan 21/2005

19



275-299

CEILING LIGHTS-
AFT INDIRECT

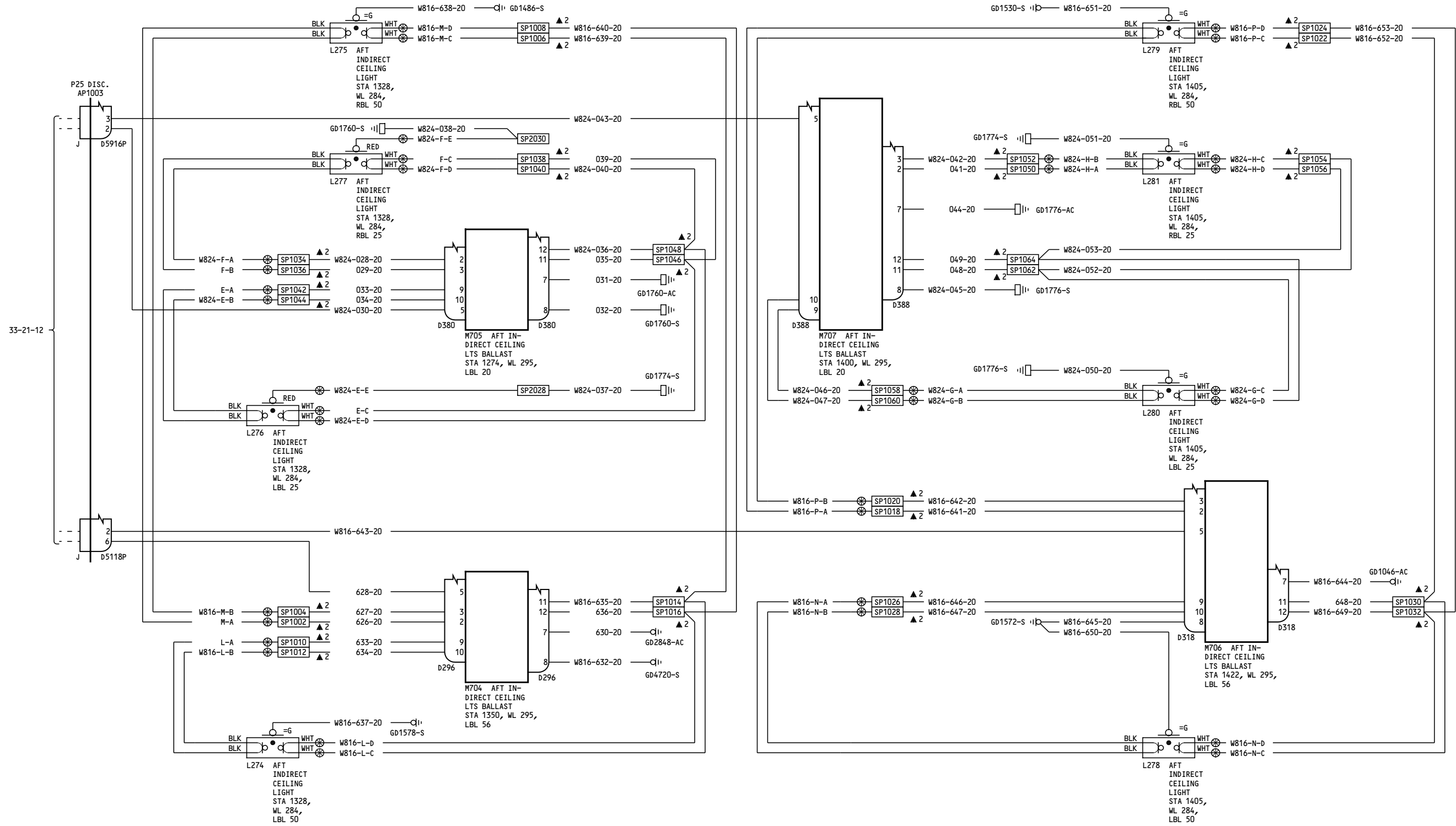
33-21-14

Page 4
Sheet 1
Jan 21/2005

D280T132

33-21-14

Page 4
Sheet 1
Jan 21/2005



275-299

**CEILING LIGHTS-
AFT INDIRECT**

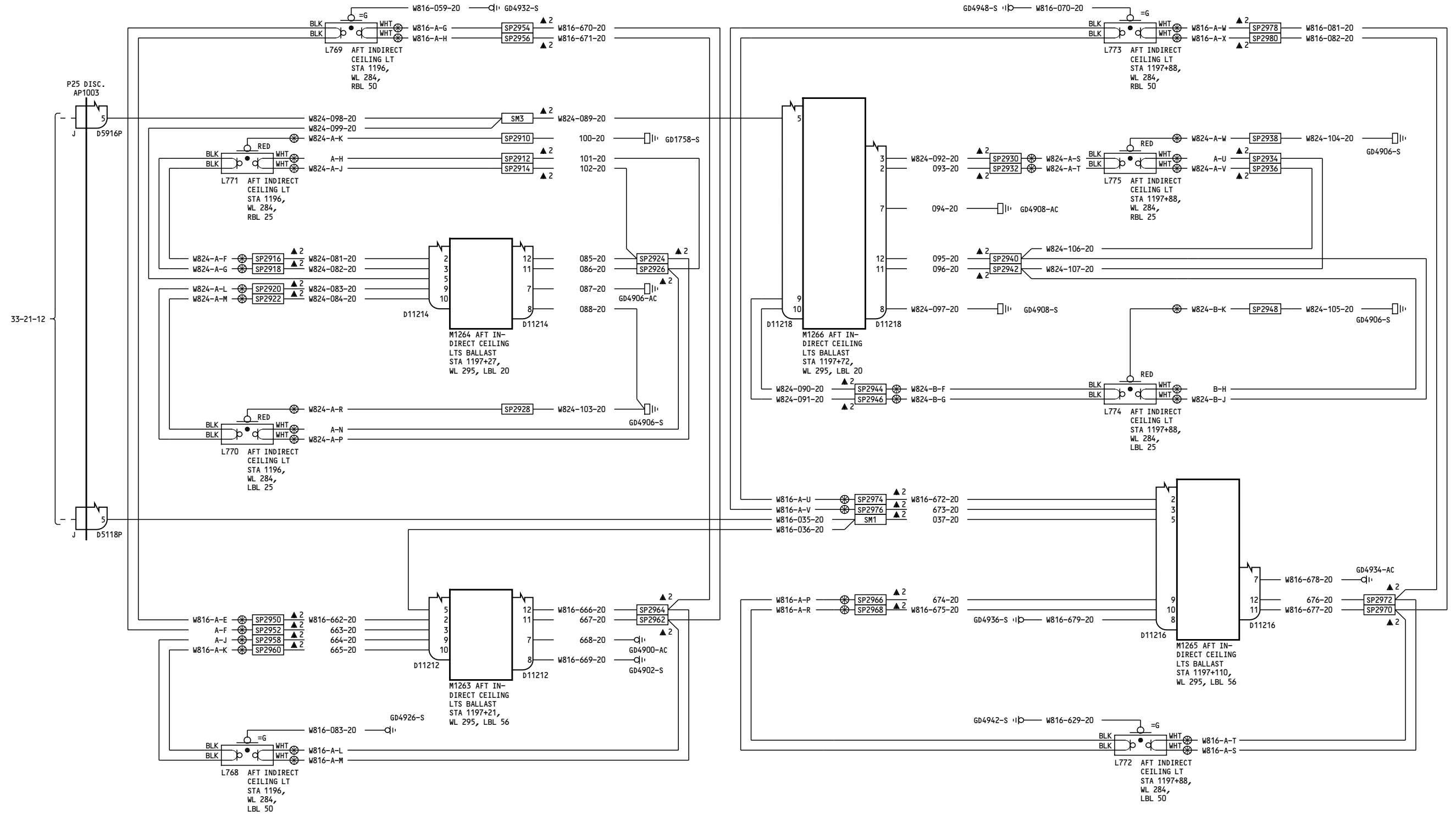
33-21-14

D280T132

Page 4
Sheet 2
Jan 21/2005

33-21-14

Page 4
Sheet 2
Jan 21/2005



275-299

CEILING LIGHTS-
AFT INDIRECT

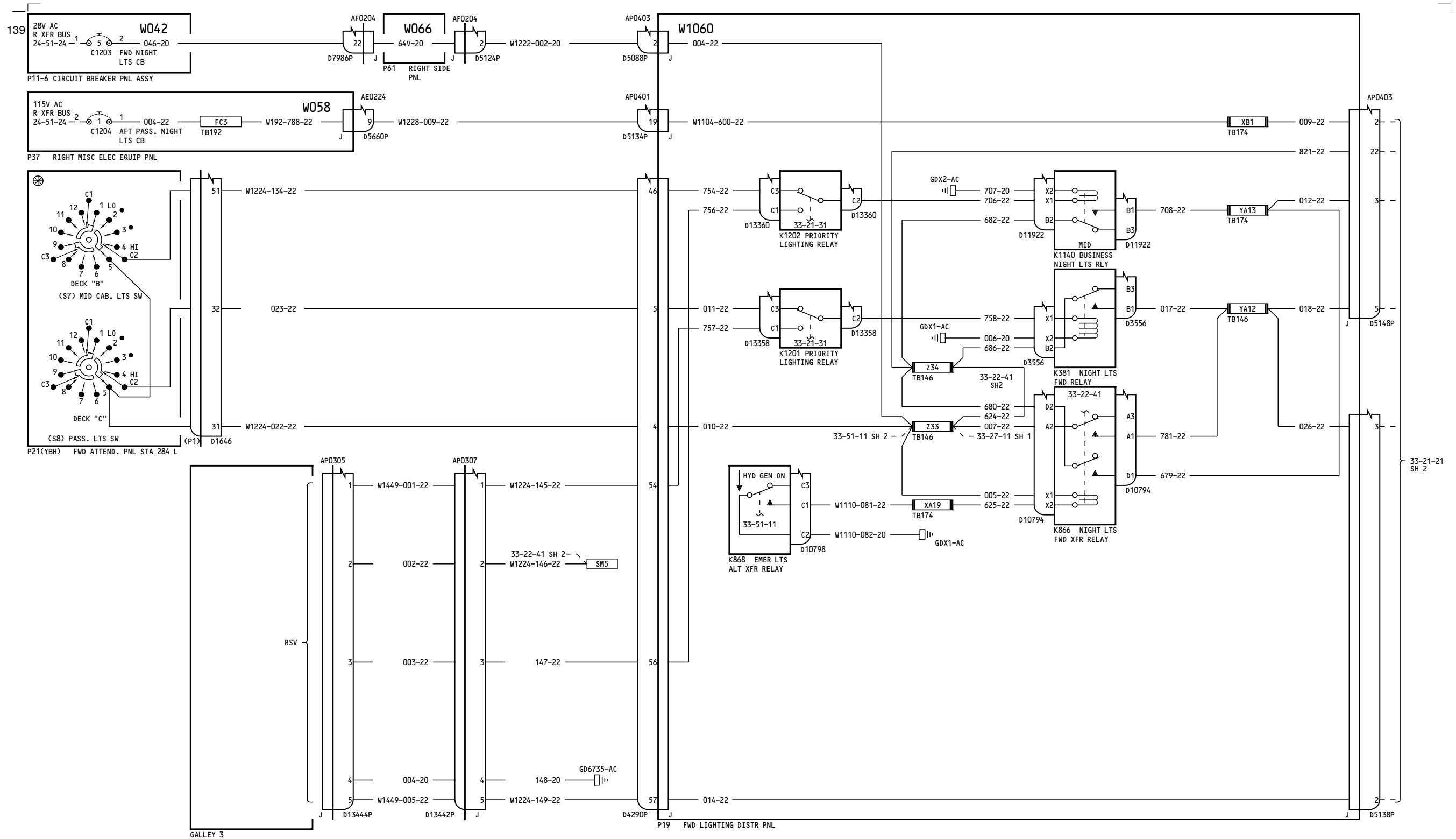
33-21-14

Page 4
Sheet 3
Jan 21/2005

D280T132

33-21-14

Page 4
Sheet 3
Jan 21/2005



050-051

NIGHT LIGHTS

33-21-21

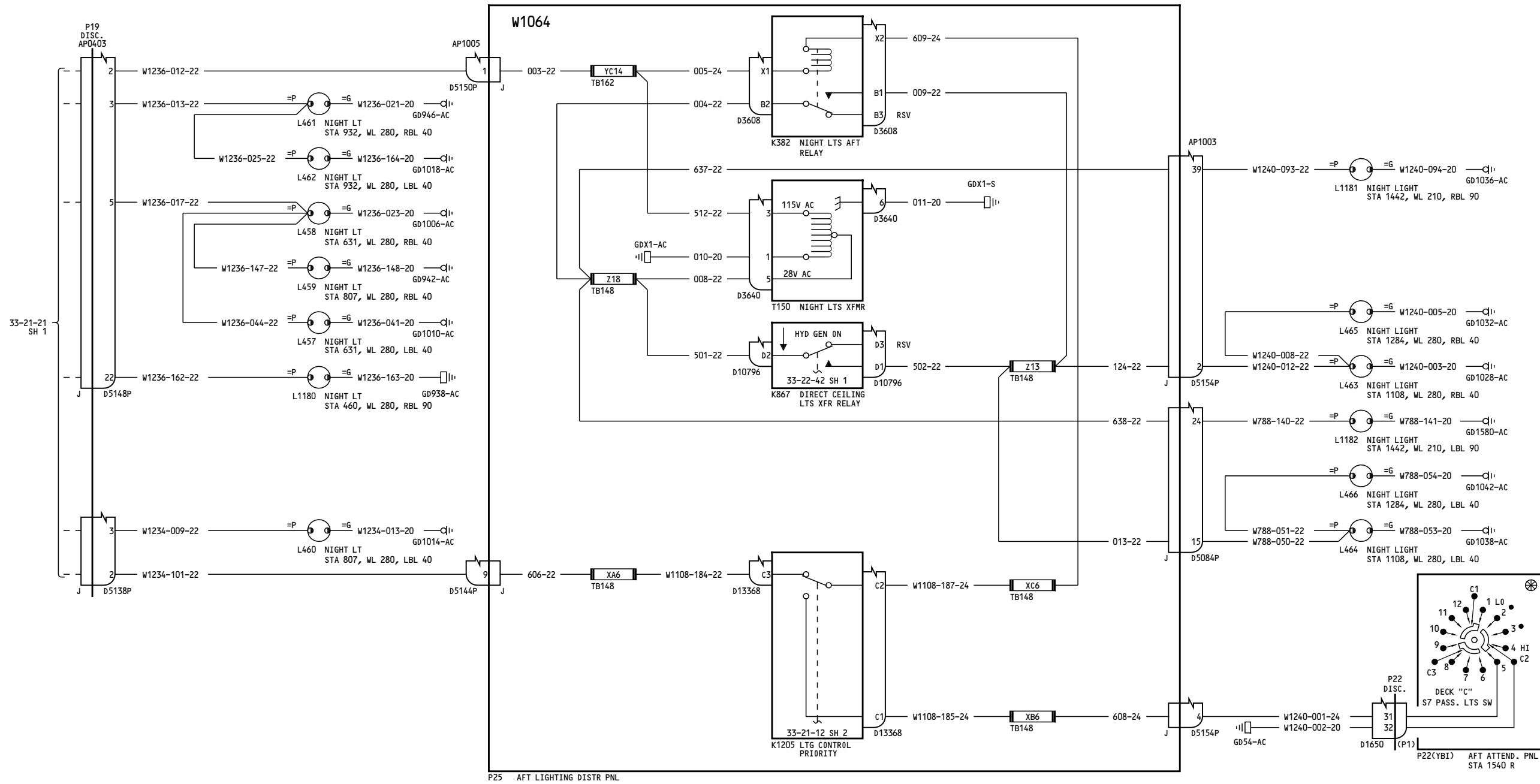
Incorporates
MTO 230540

33-21-21

D280T132

Page 1A
Sheet 1
Jan 21/2005

Page 1A
Sheet 1
Jan 21/2005



050-051

NIGHT LIGHTS

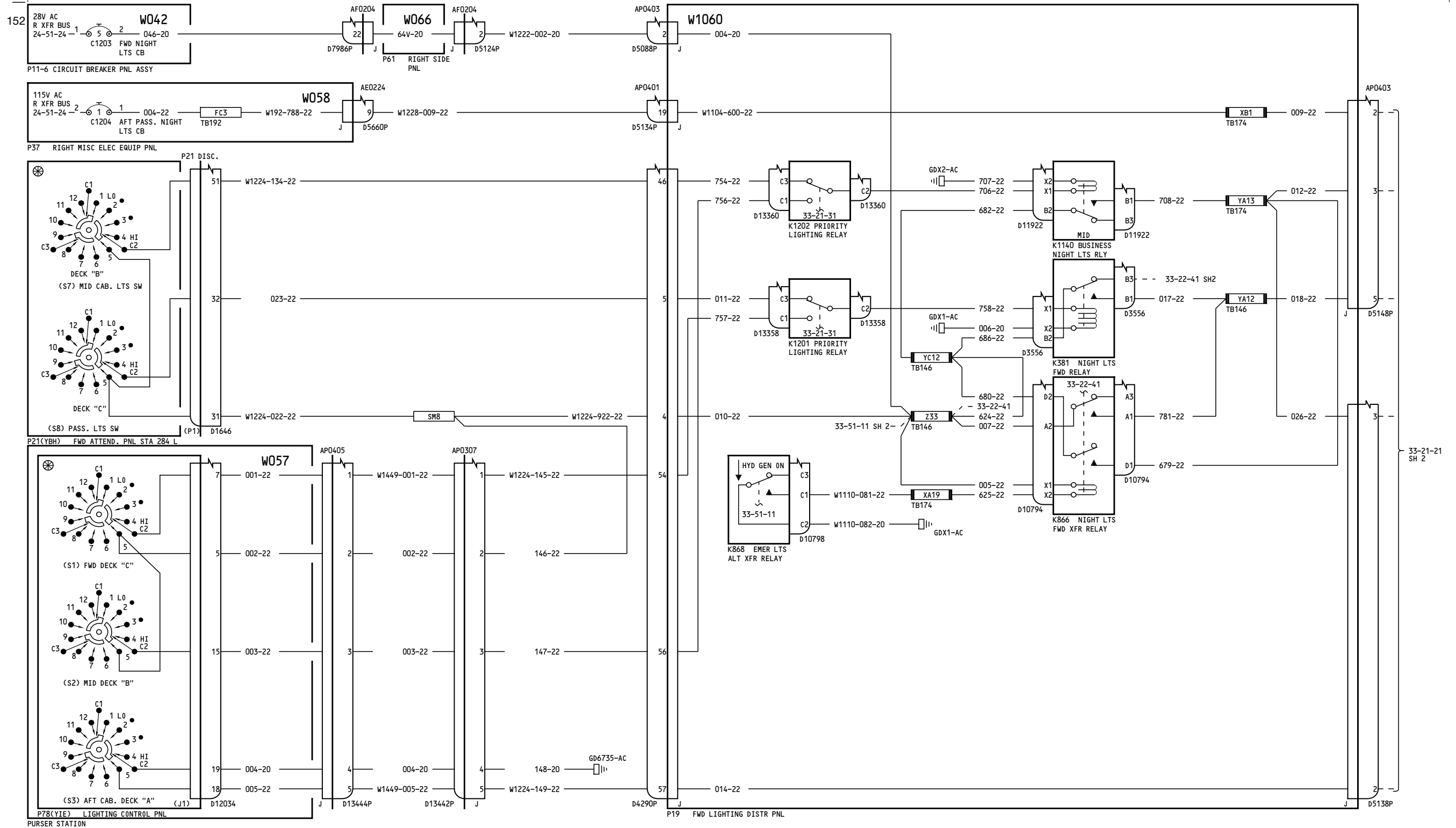
33-21-21

Page 1A
Sheet 2
Jan 21/2005

D280T132

33-21-21

Page 1A
Sheet 2
Jan 21/2005



150, 152-157

NIGHT LIGHTS

33-21-21

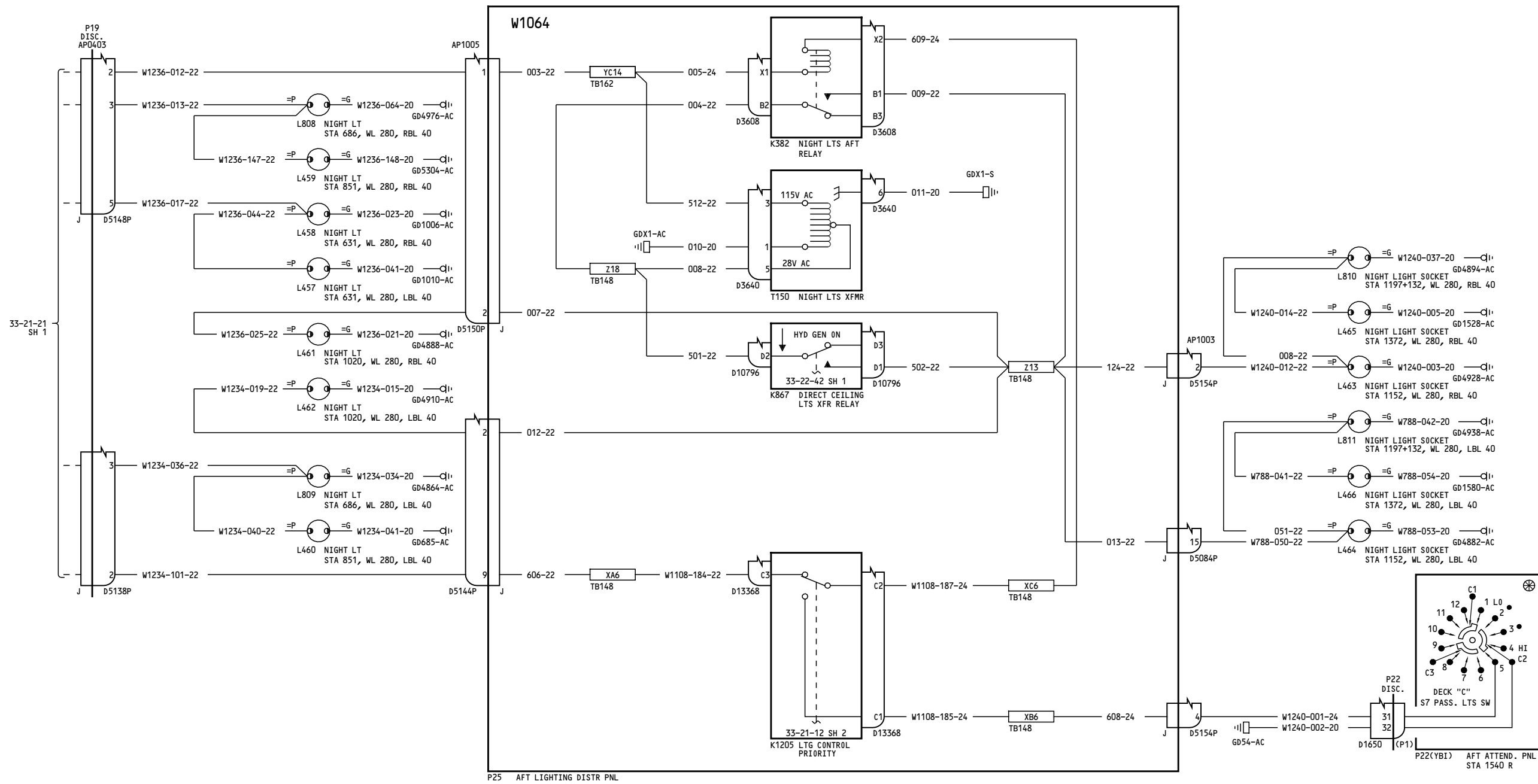
Incorporates MTO 330370

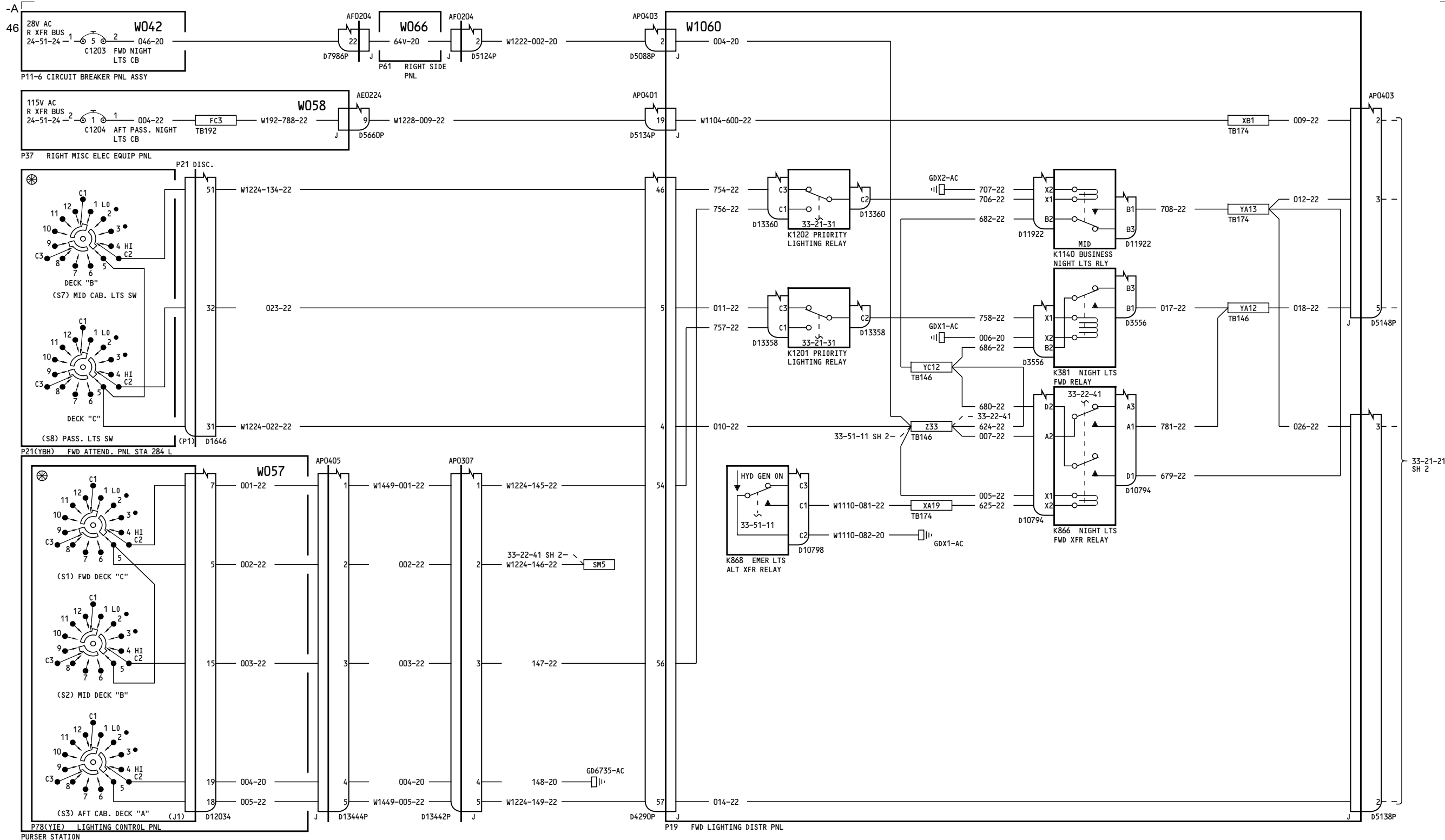
33-21-21

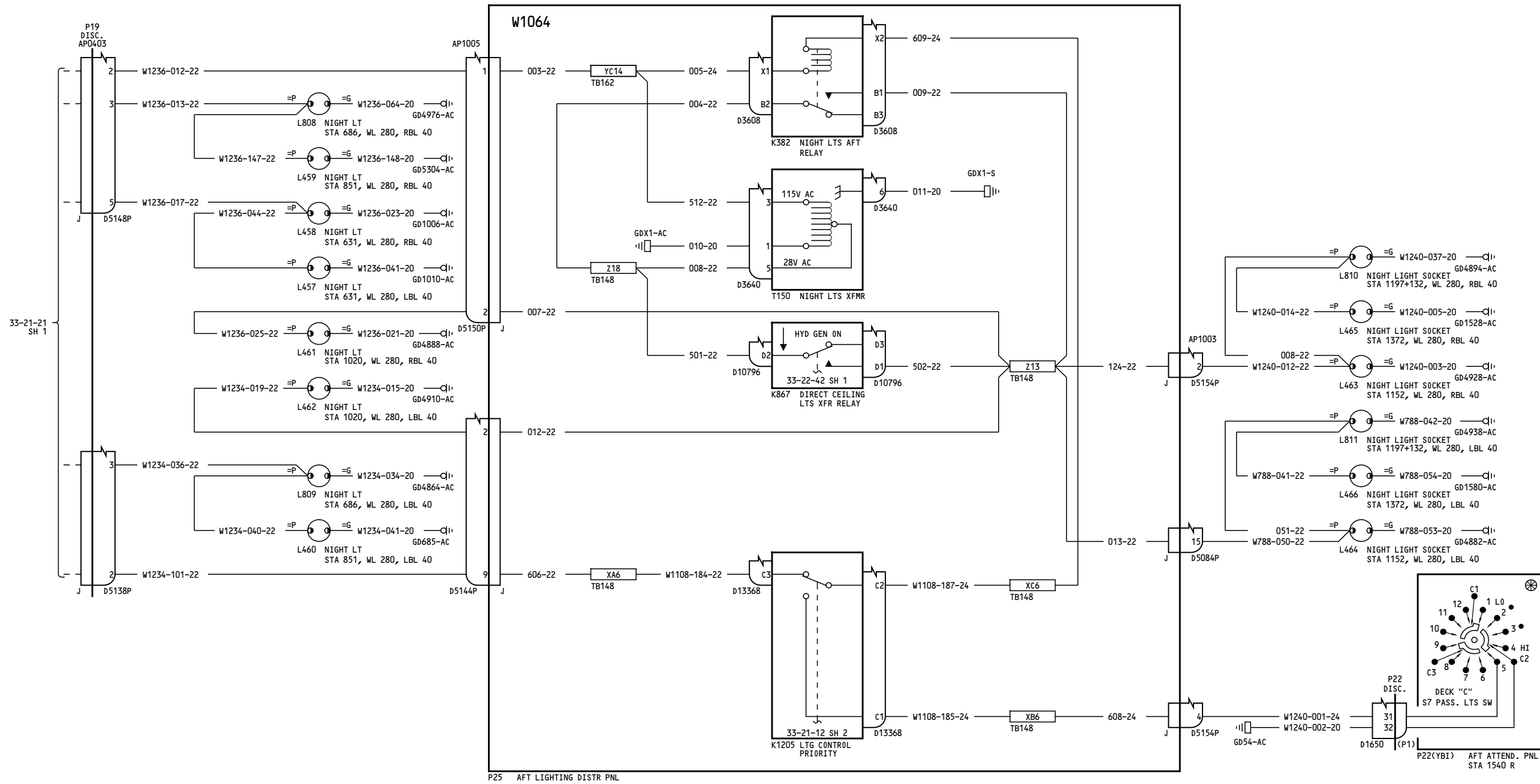
D280T132

Page 2A
Sheet 1
Jan 21/2005

Page 2A
Sheet 1
Jan 21/2005







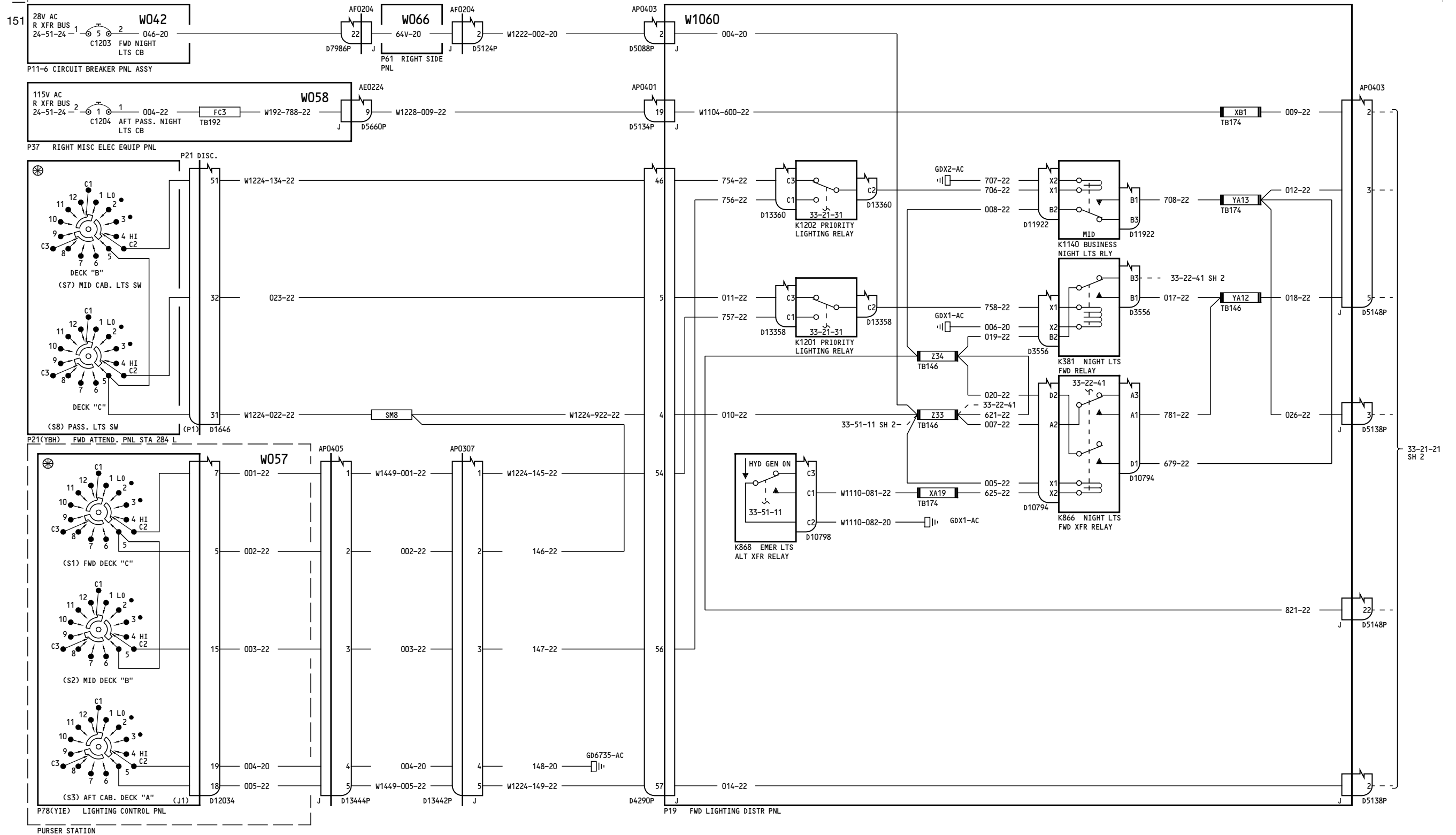
| | |
|-----|---------------------|
| 151 | NIGHT LIGHTS |
| | D280T132 |

33-21-21

Page 3
Sheet 2
Jan 21/2005

33-21-21

Page 3
Sheet 2
Jan 21/2005



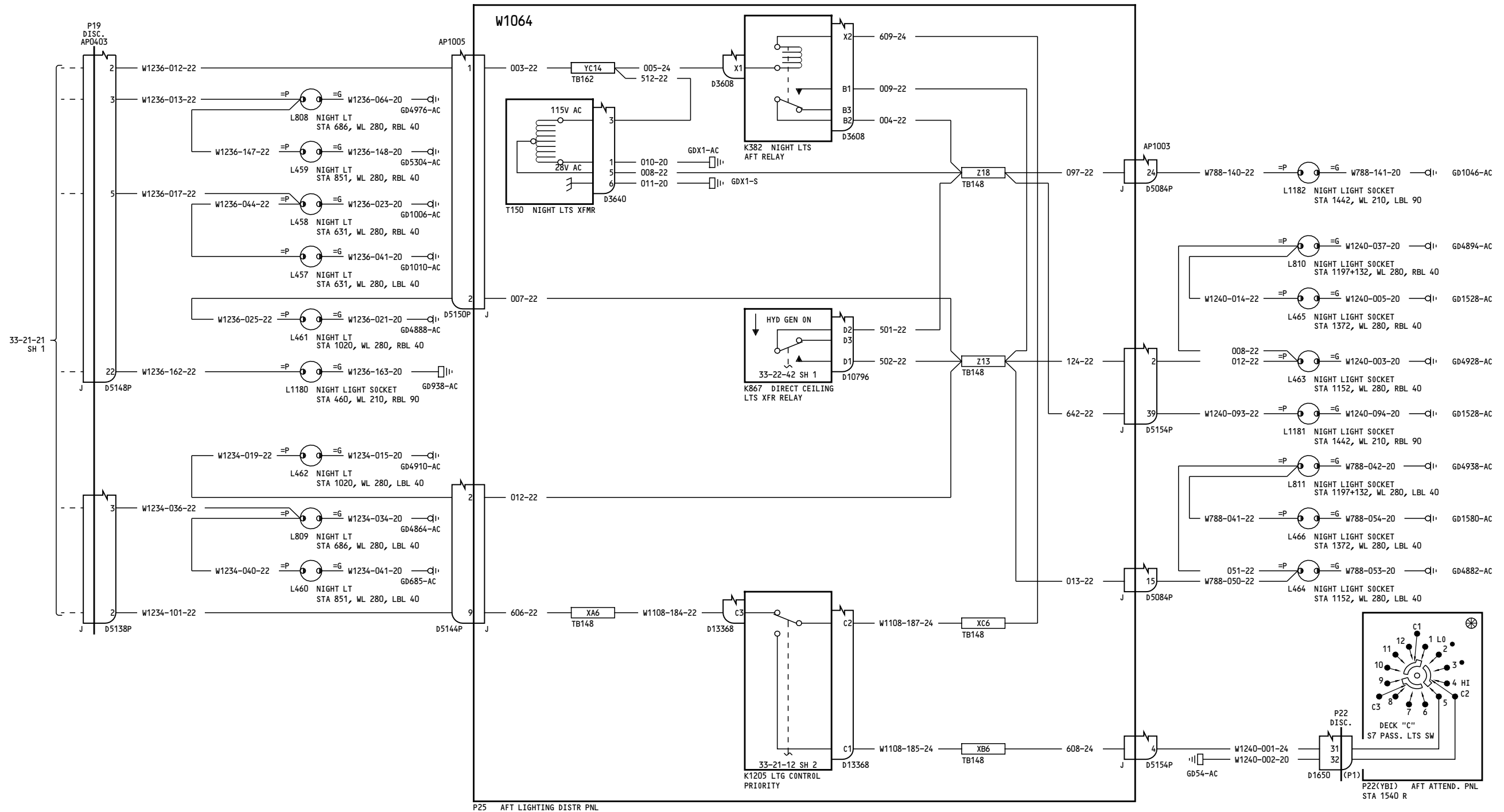
162-167

NIGHT LIGHTS

33-21-21

Incorporates
MTO 330371

33-21-21



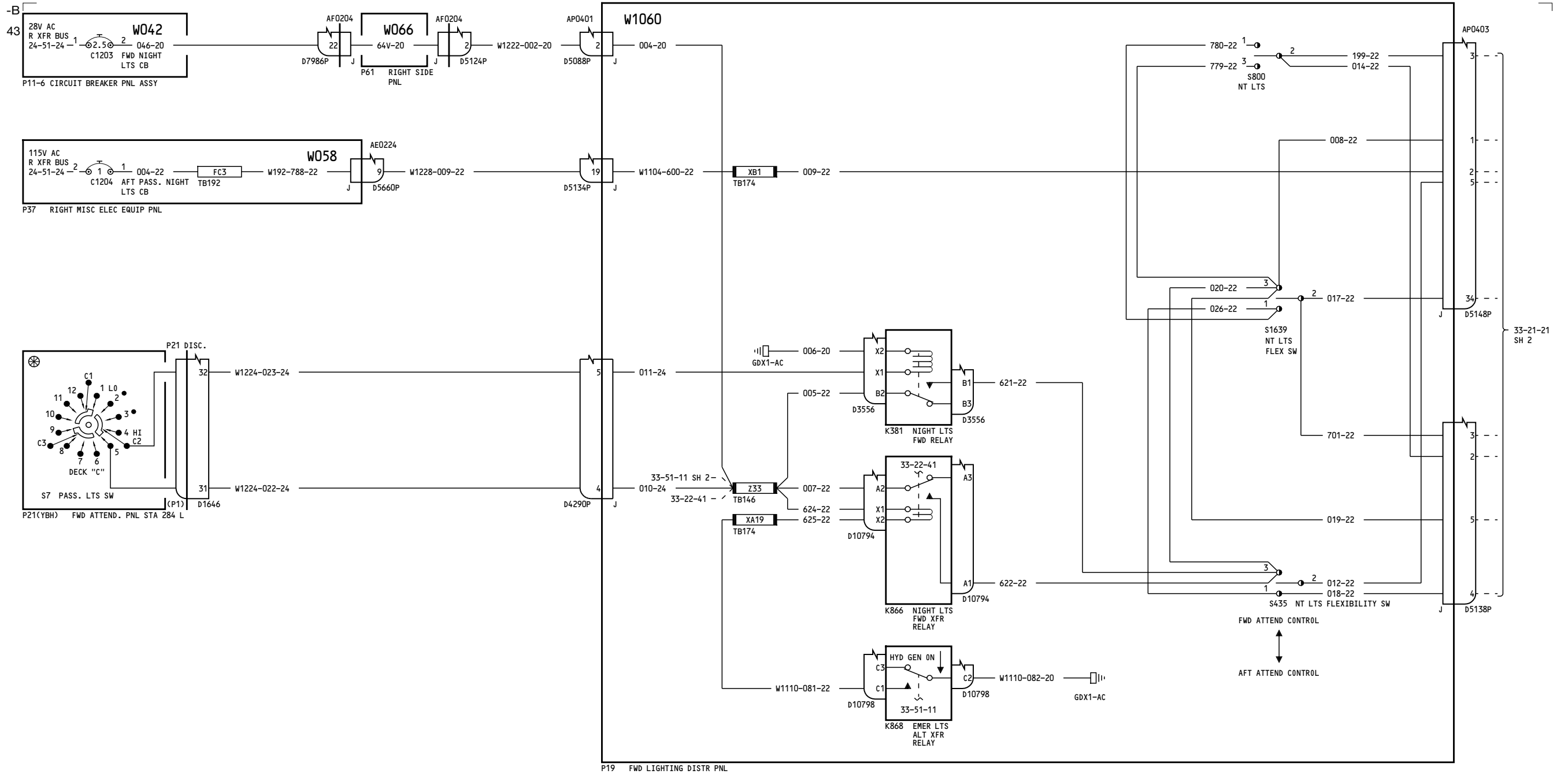
| | |
|---------|--------------------------------------------------------------------------------------------------------------------------------------------------------------------------|
| 162-167 | <p align="center">NIGHT LIGHTS</p> <p align="center">33-21-21</p> <p align="center">Page 4A Sheet 2 Jan 21/2005</p> <p align="center">D280T132</p> |
|---------|--------------------------------------------------------------------------------------------------------------------------------------------------------------------------|

33-21-21

Page 4A
Sheet 2
Jan 21/2005

33-21-21

Page 4A
Sheet 2
Jan 21/2005



275-278

NIGHT LIGHTS

33-21-21

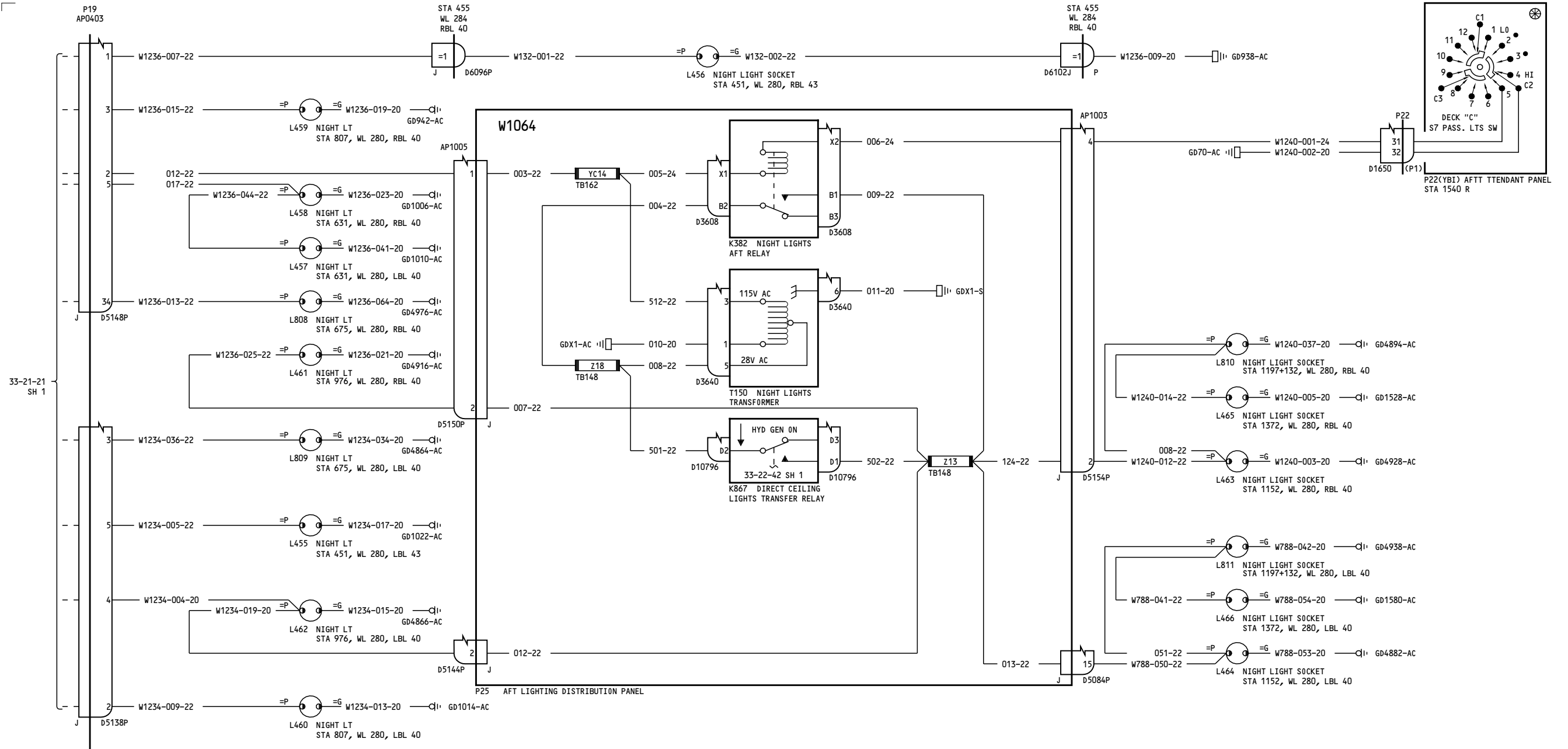
Page 5
Sheet 1
Jan 21/2005

D280T132

33-21-21

Page 5
Sheet 1
Jan 21/2005

-B
43



275-278

NIGHT LIGHTS

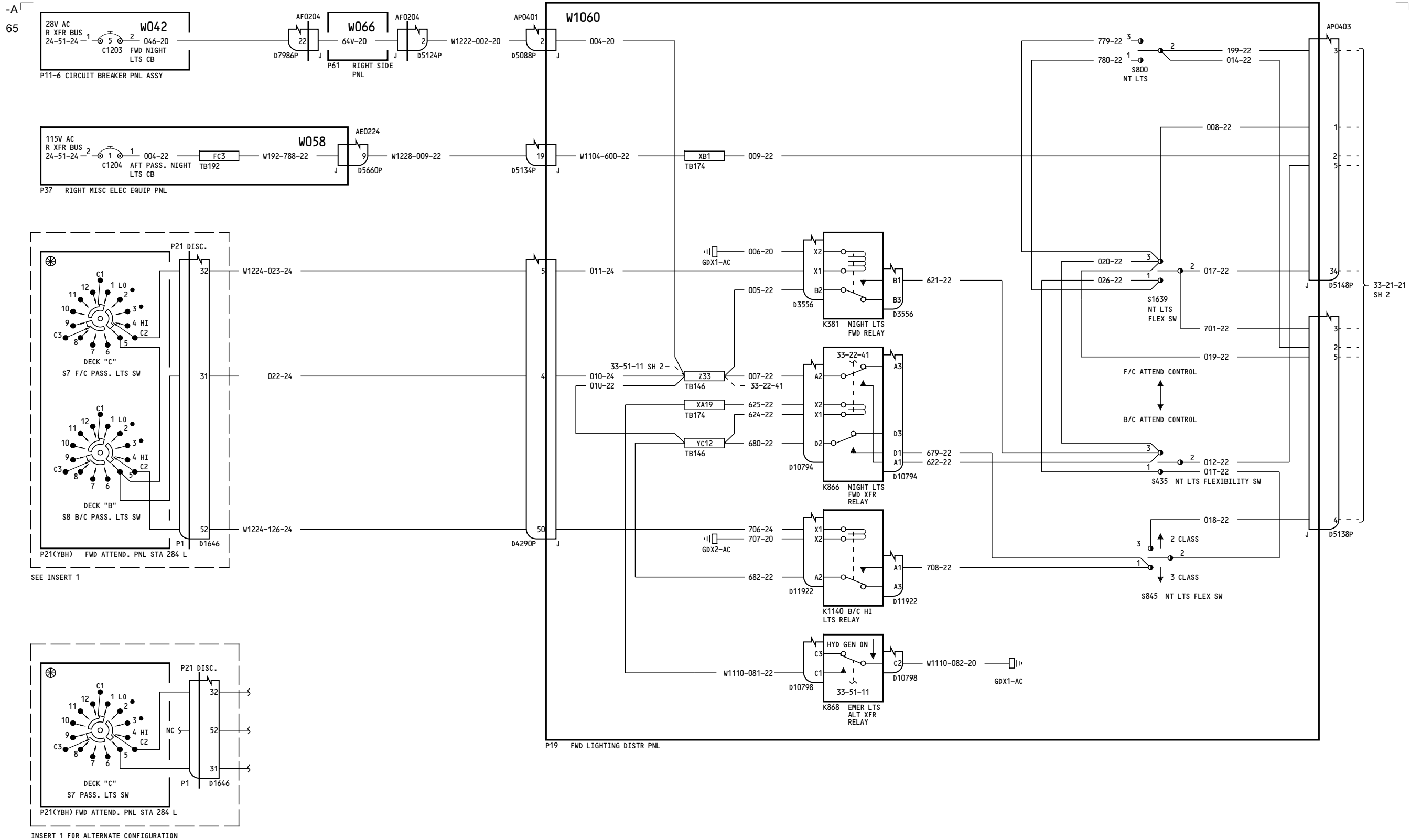
33-21-21

D280T132

Page 5
Sheet 2
Jan 21/2005

33-21-21

Page 5
Sheet 2
Jan 21/2005



280-299

NIGHT LIGHTS

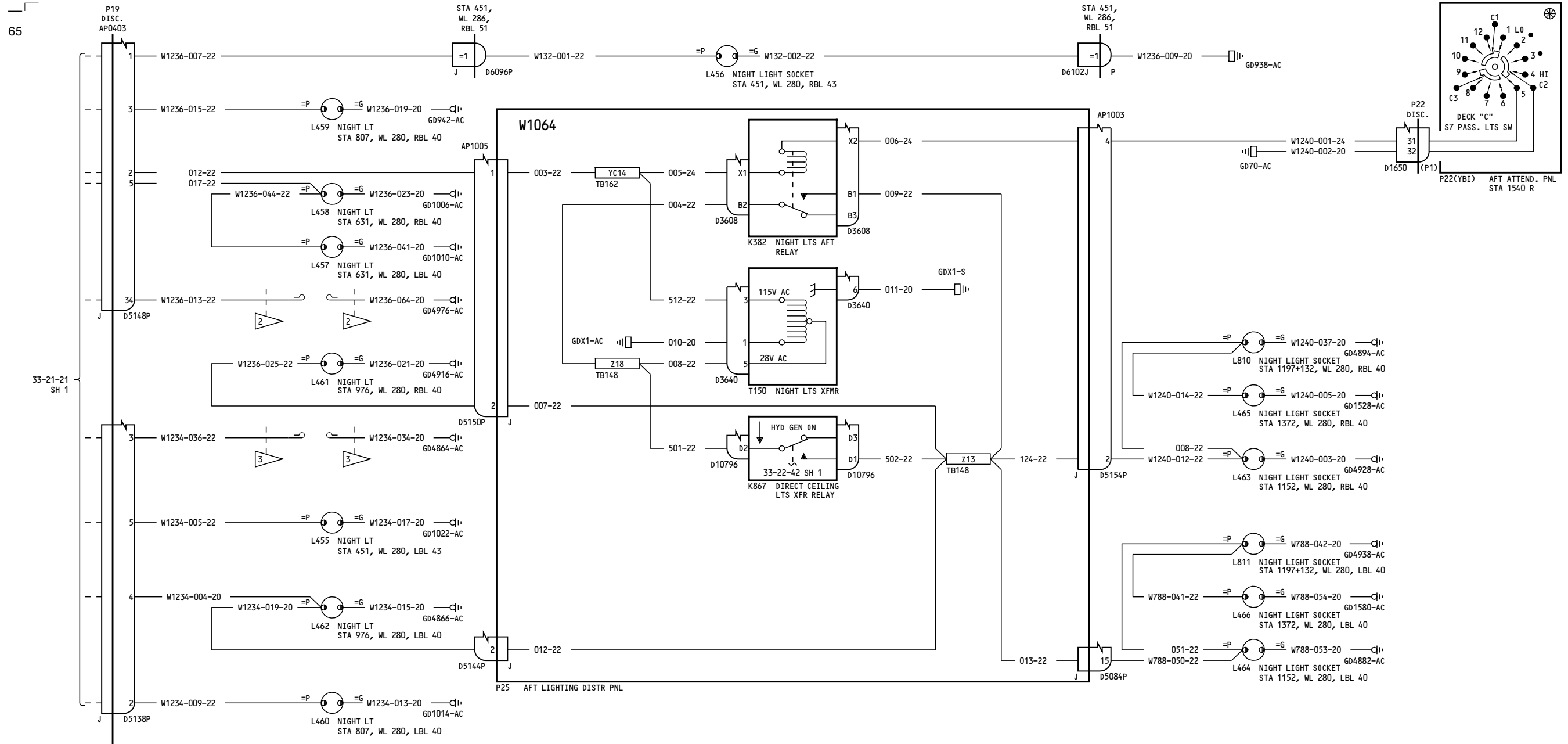
33-21-21

Page 6
Sheet 1
Jan 21/2005

D280T132

33-21-21

Page 6
Sheet 1
Jan 21/2005



- 2 CAP & STOW NEAR STA686, RBL 40
- 3 CAP & STOW NEAR STA686, LBL 40

| | |
|---------|---------------------|
| 280-299 | NIGHT LIGHTS |
| | D280T132 |

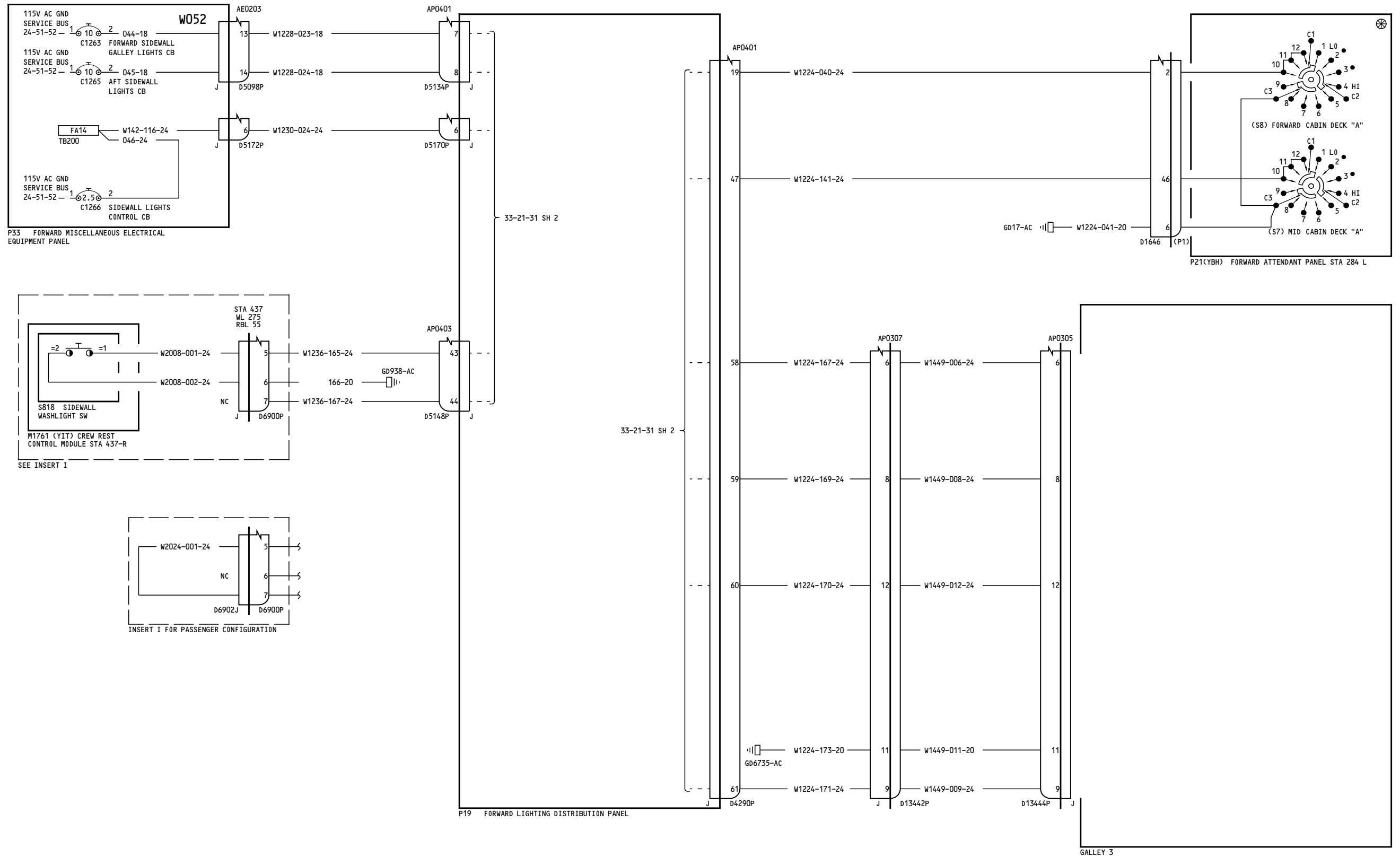
33-21-21

Page 6
 Sheet 2
 Jan 21/2005

33-21-21

Page 6
 Sheet 2
 Jan 21/2005

191



050-051

SIDEWALL WASH LIGHTS CONTROL

33-21-31

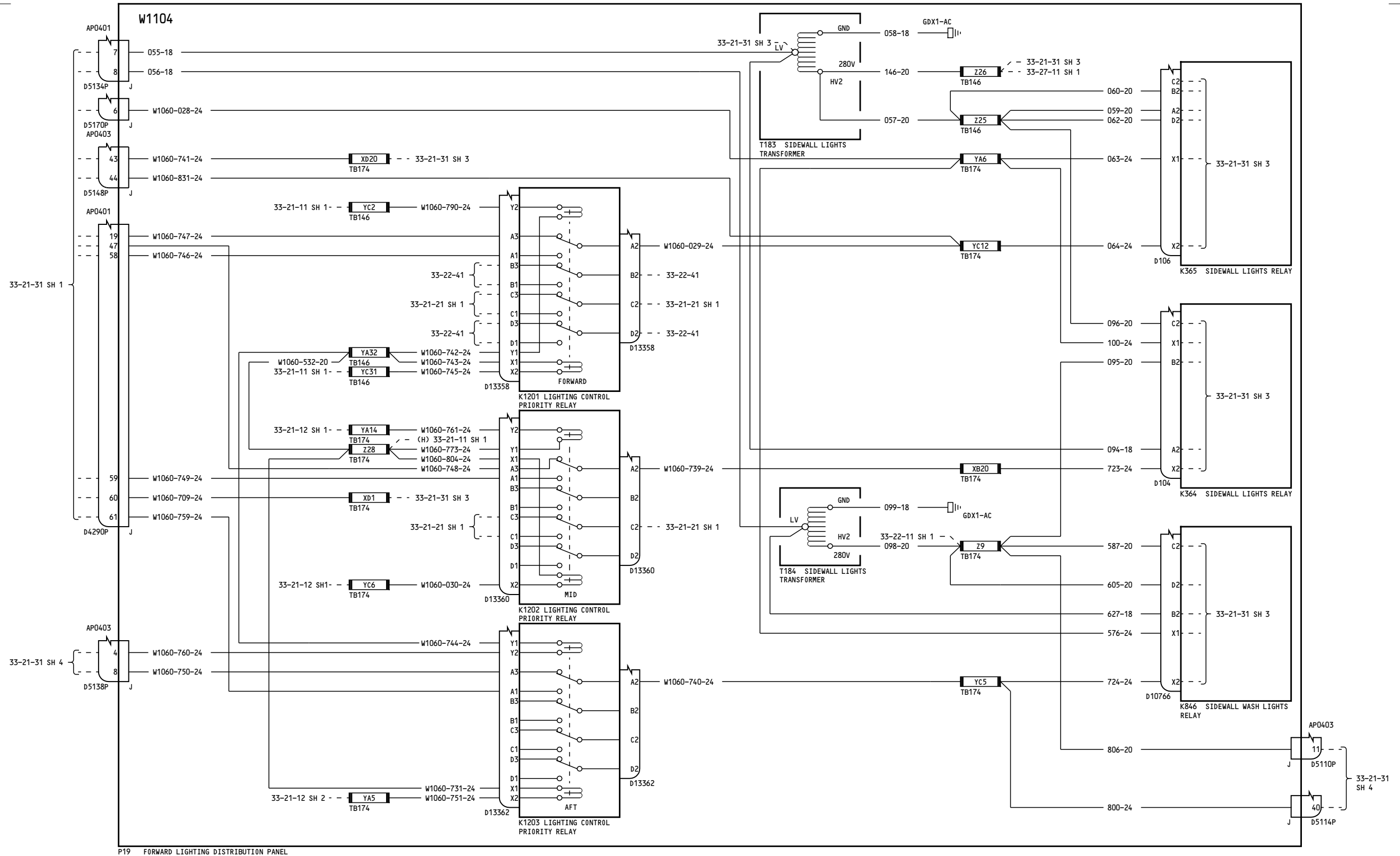
Incorporates
▶ MTO 230540

33-21-31

D280T132

Page 1A
Sheet 1
Jan 21/2005

Page 1A
Sheet 1
Jan 21/2005



P19 FORWARD LIGHTING DISTRIBUTION PANEL

050-051

SIDEWALL WASH LIGHTS CONTROL

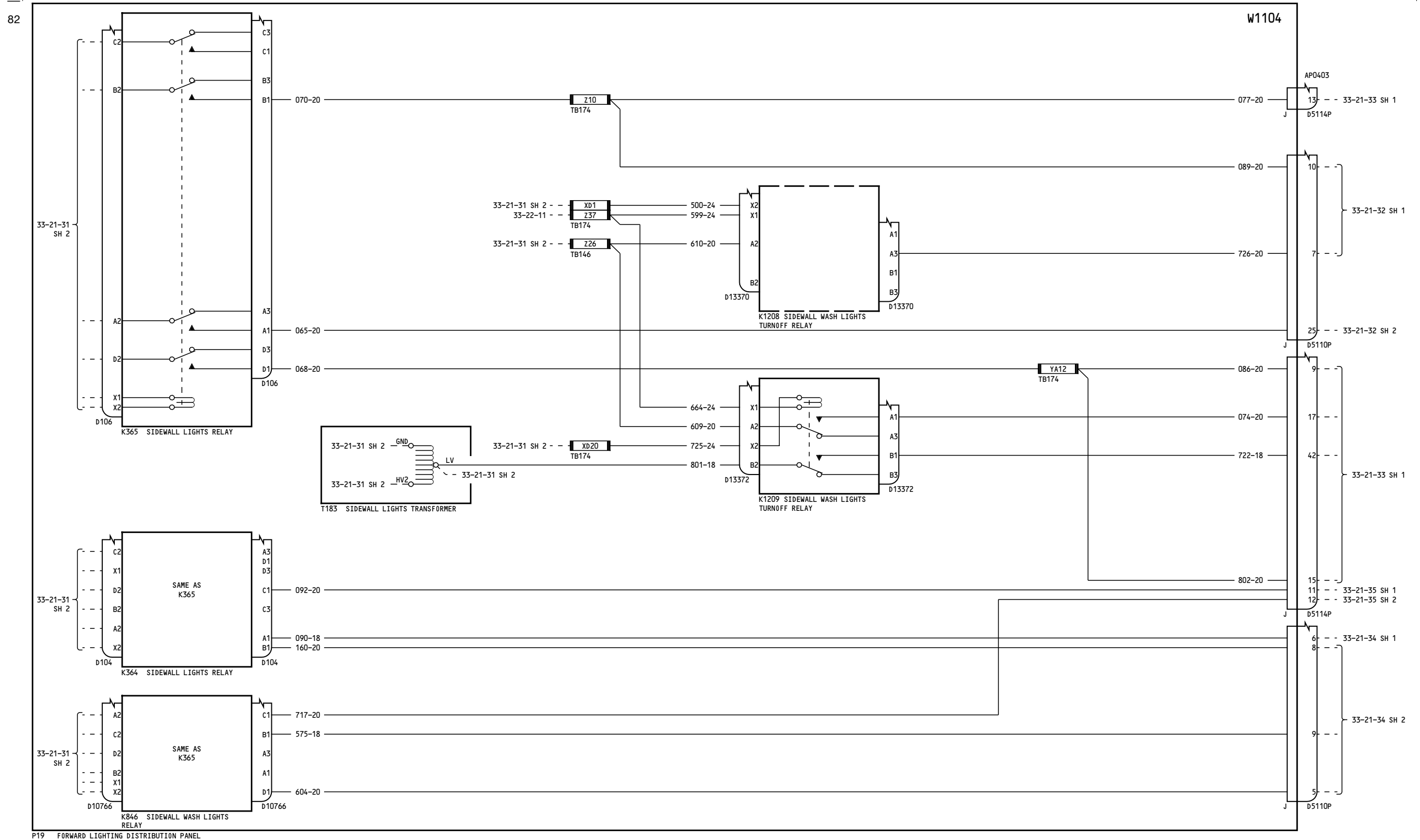
33-21-31

Page 1A
Sheet 2
Jan 21/2005

D280T132

33-21-31

Page 1A
Sheet 2
Jan 21/2005



050-051

SIDEWALL WASH LIGHTS CONTROL

33-21-31

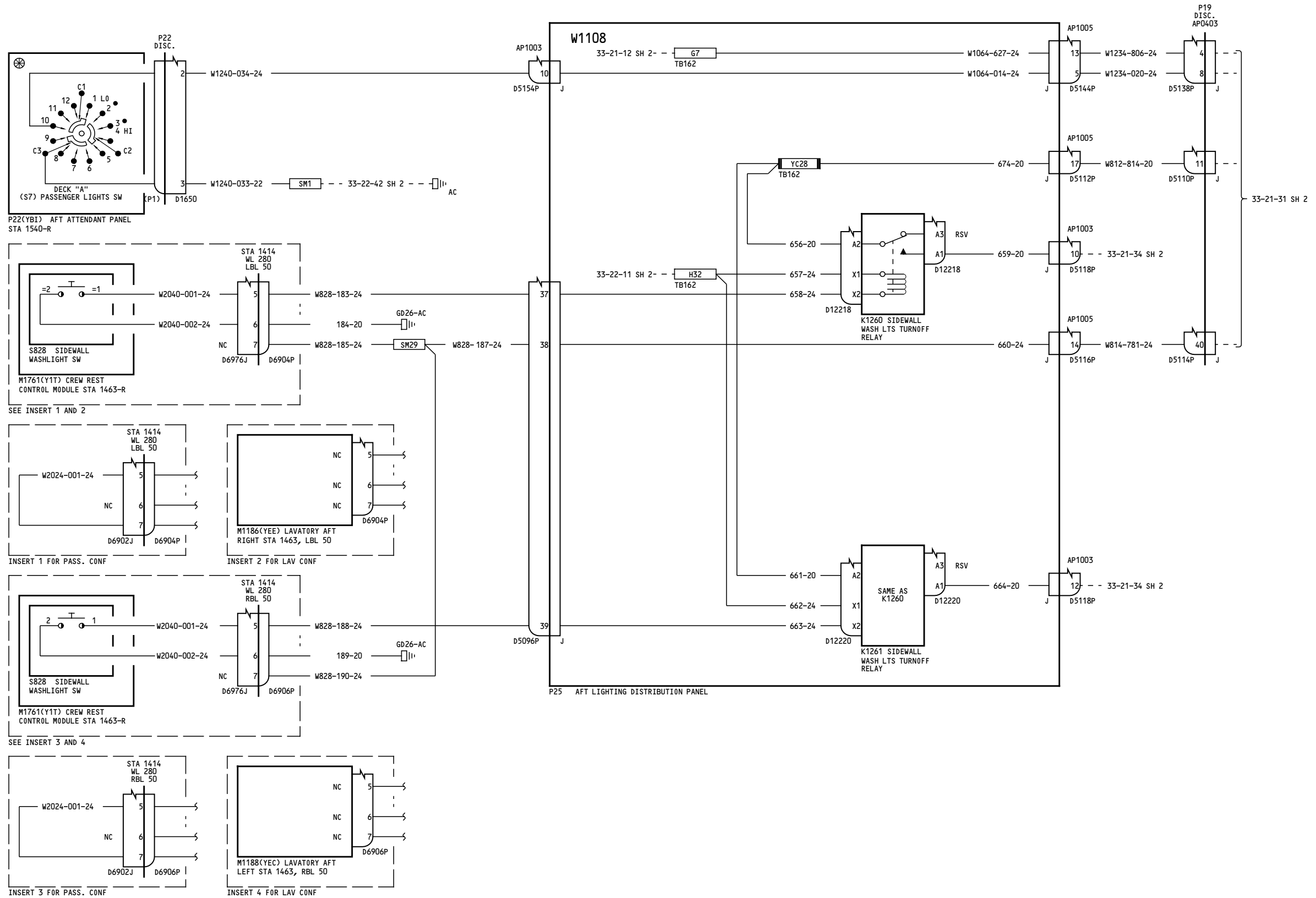
Incorporates
MTO 230540

33-21-31

D280T132

Page 1A
Sheet 3
Jan 21/2005

Page 1A
Sheet 3
Jan 21/2005



050-051

SIDEWALL WASH LIGHTS CONTROL

33-21-31

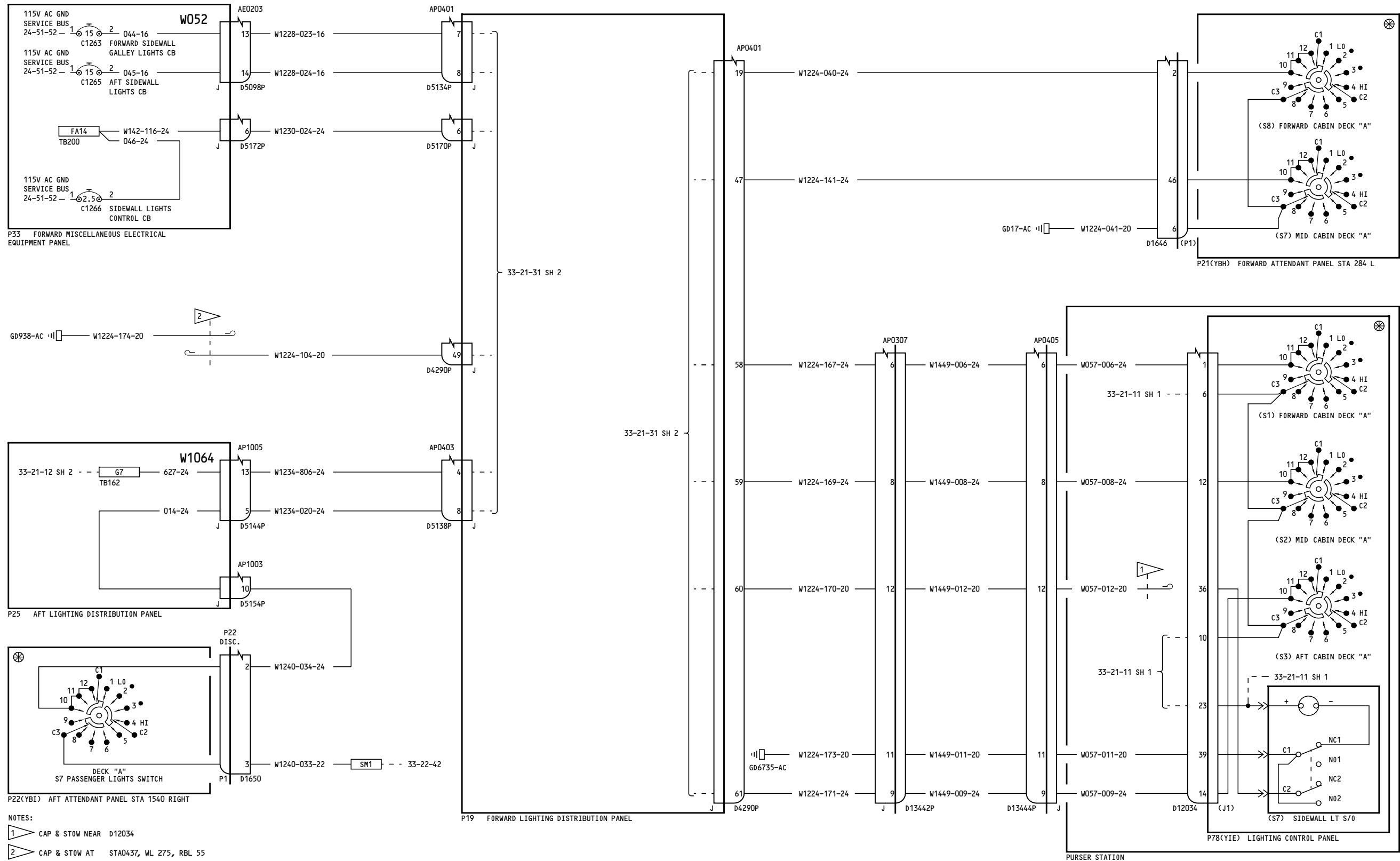
Page 1A
Sheet 4
Jan 21/2005

D280T132

33-21-31

Page 1A
Sheet 4
Jan 21/2005

192



NOTES:
 1 CAP & STOW NEAR D12034
 2 CAP & STOW AT STA0437, WL 275, RBL 55

150, 153-154

SIDEWALL WASH LIGHTS CONTROL

33-21-31

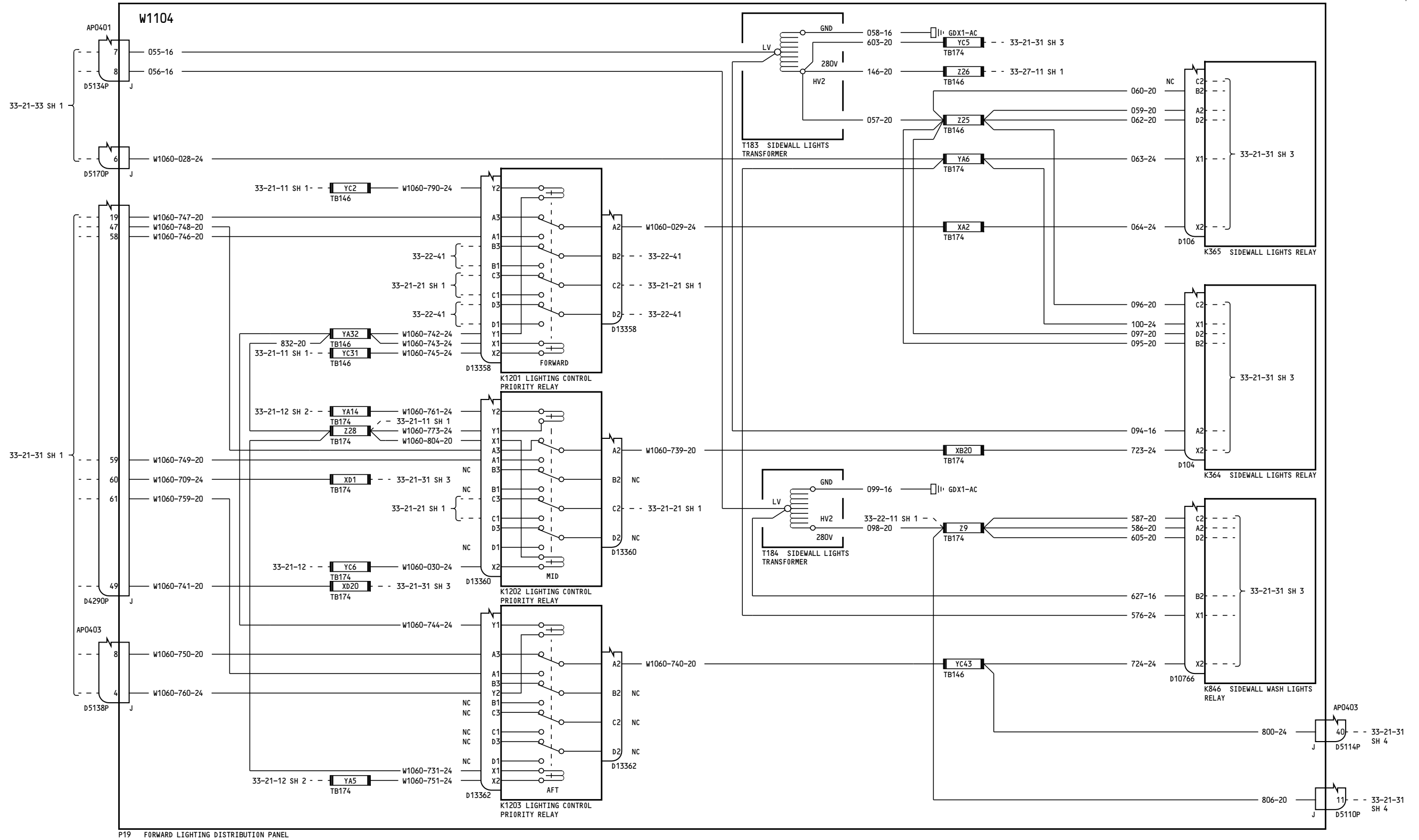
Page 2A
 Sheet 1
 Jan 21/2005

D280T132

Incorporates
 MTO 330342B

33-21-31

Page 2A
 Sheet 1
 Jan 21/2005



150, 153-154

SIDEWALL WASH LIGHTS CONTROL

33-21-31

Incorporates
MTO 0330386

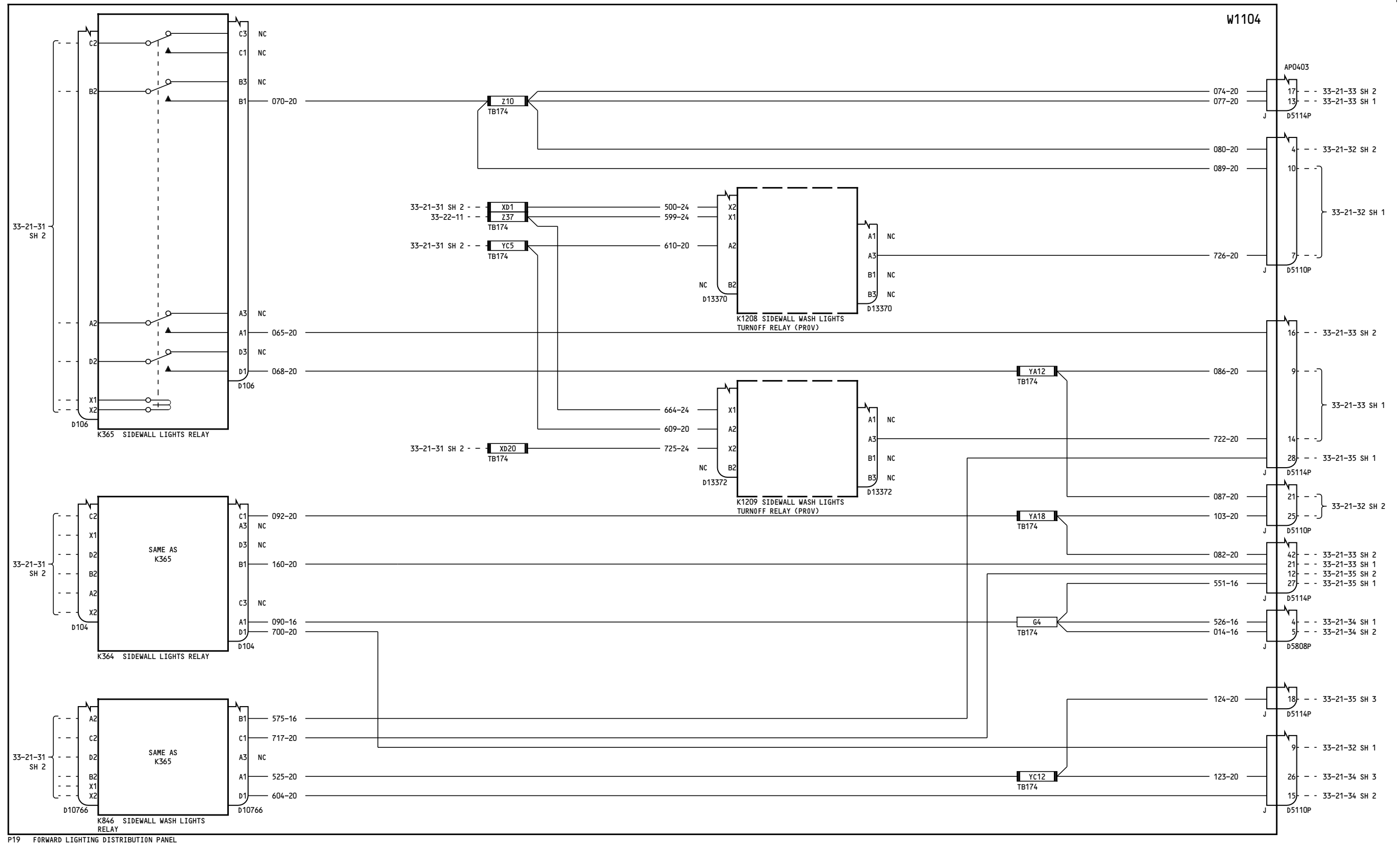
33-21-31

D280T132

Page 2A
Sheet 2
Jan 21/2005

Page 2A
Sheet 2
Jan 21/2005

78



150, 153-154

SIDEWALL WASH LIGHTS CONTROL

33-21-31

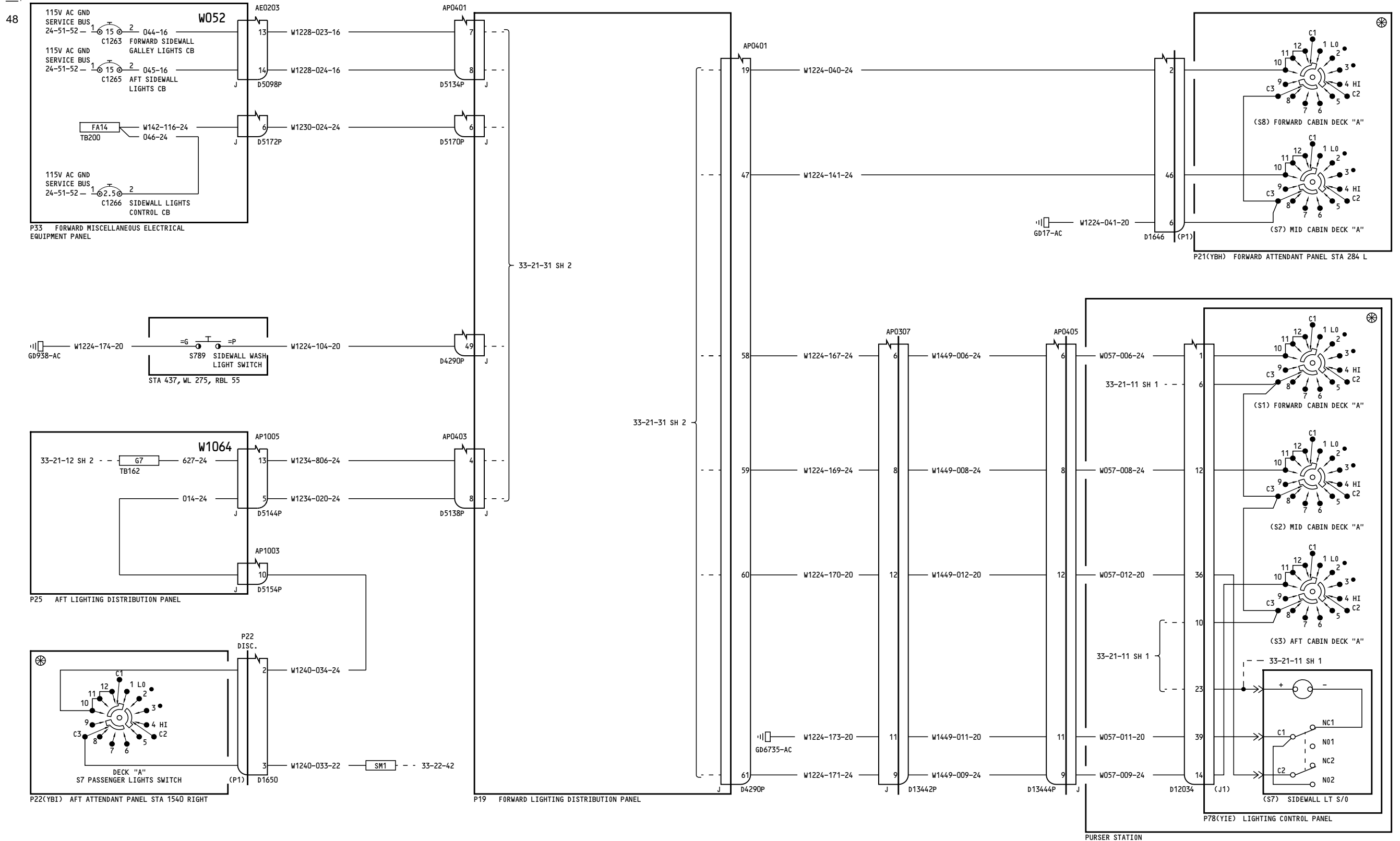
Incorporates
MTO 330342B

33-21-31

D280T132

Page 2A
Sheet 3
Jan 21/2005

Page 2A
Sheet 3
Jan 21/2005



151-152

SIDEMALL WASH LIGHTS CONTROL

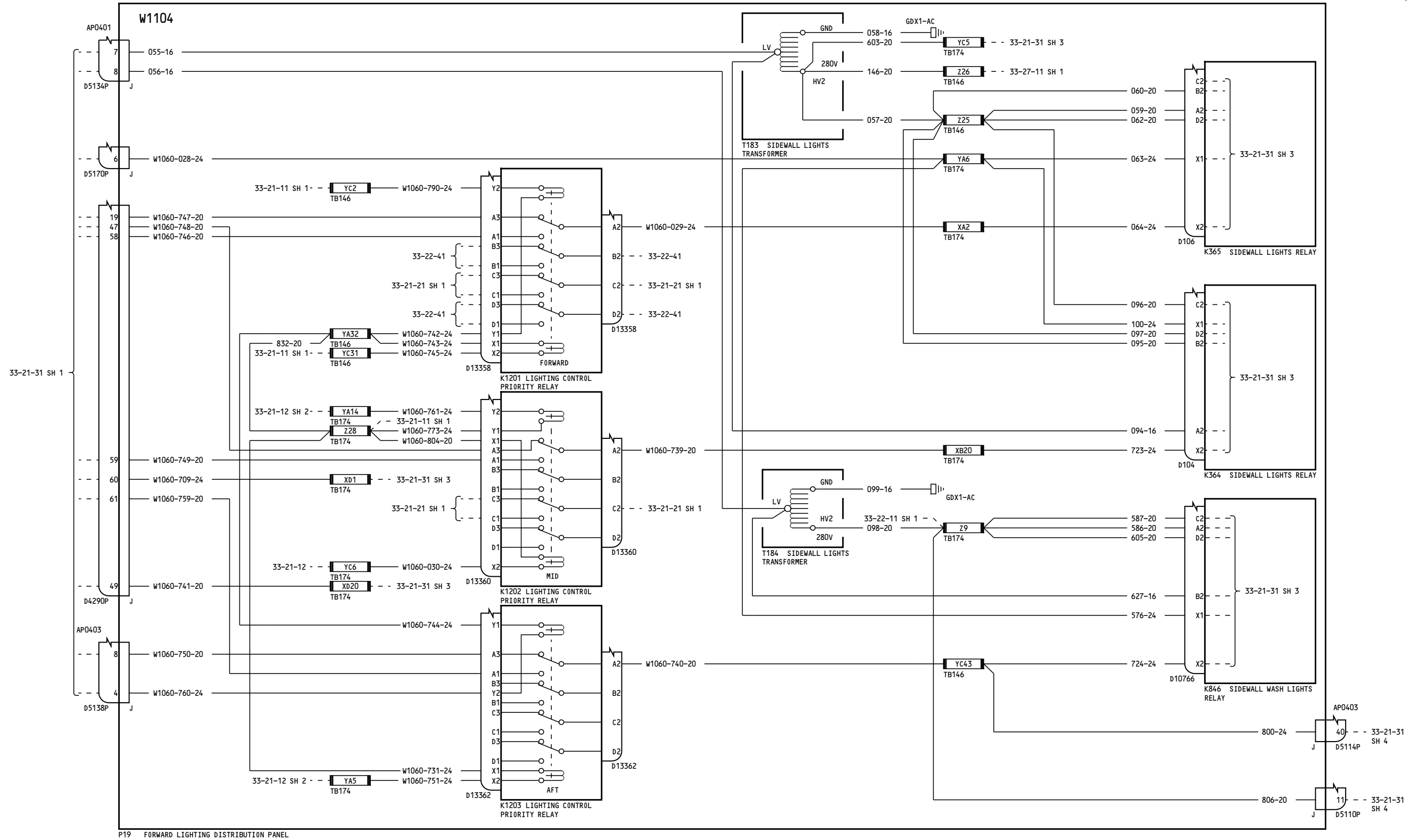
33-21-31

Page 3A
Sheet 1
Jan 21/2005

D280T132

33-21-31

Page 3A
Sheet 1
Jan 21/2005



151-152

SIDEWALL WASH LIGHTS CONTROL

33-21-31

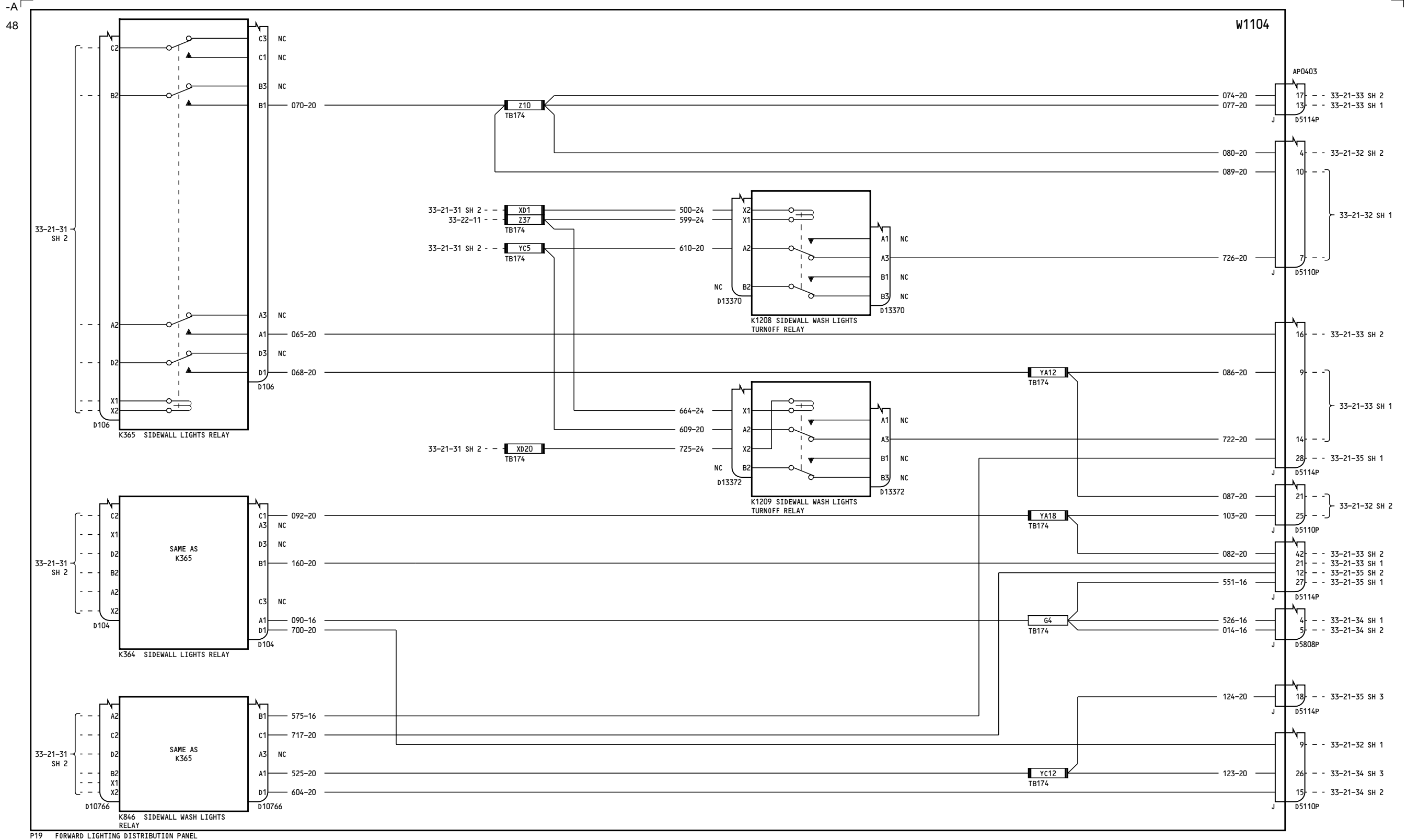
Incorporates
MTO 0330386

33-21-31

D280T132

Page 3A
Sheet 2
Jan 21/2005

Page 3A
Sheet 2
Jan 21/2005



151-152

SIDEWALL WASH LIGHTS CONTROL

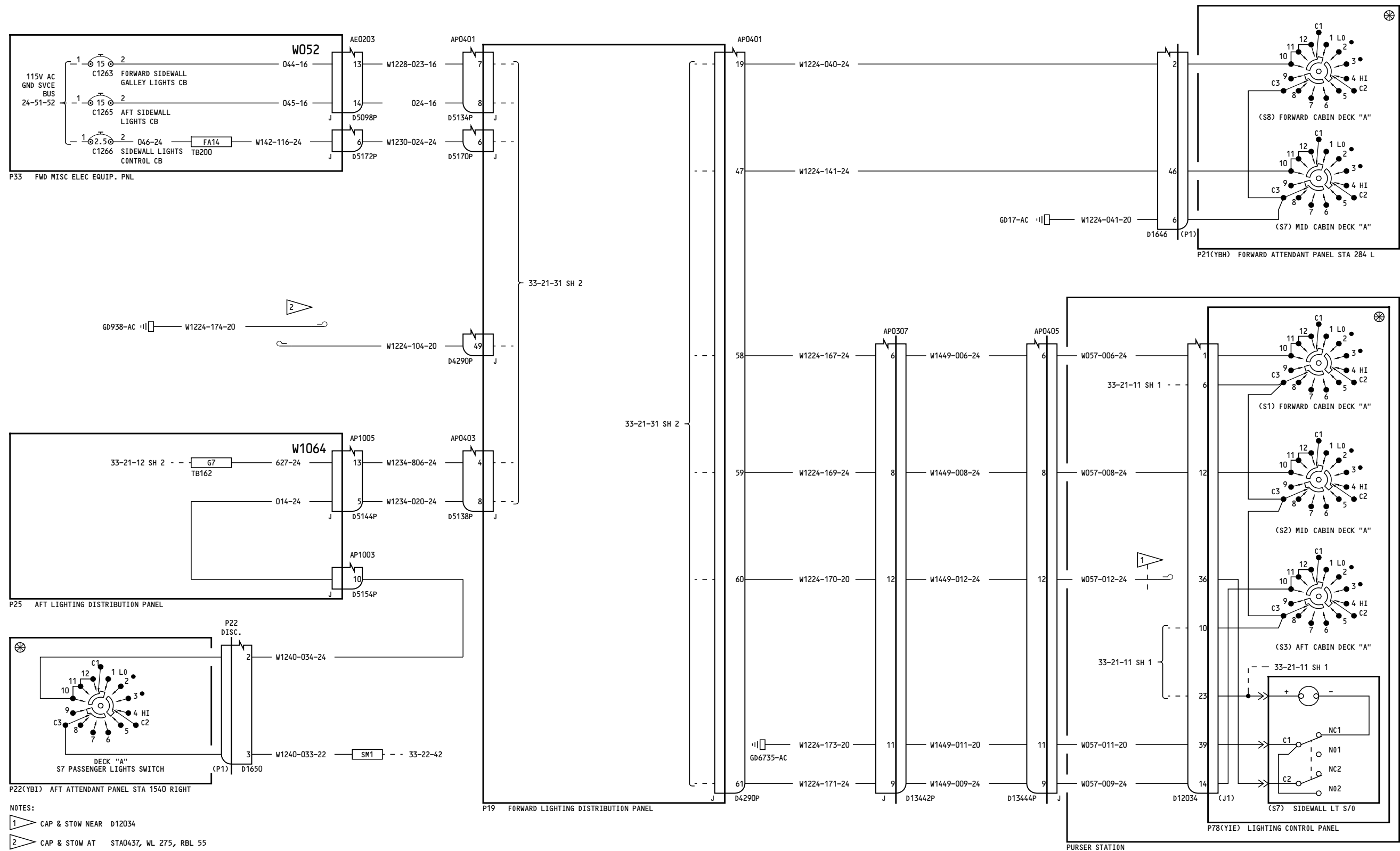
33-21-31

Page 3A
Sheet 3
Jan 21/2005

D280T132

33-21-31

Page 3A
Sheet 3
Jan 21/2005



155-156

SIDEWALL WASH LIGHTS CONTROL

D280T132

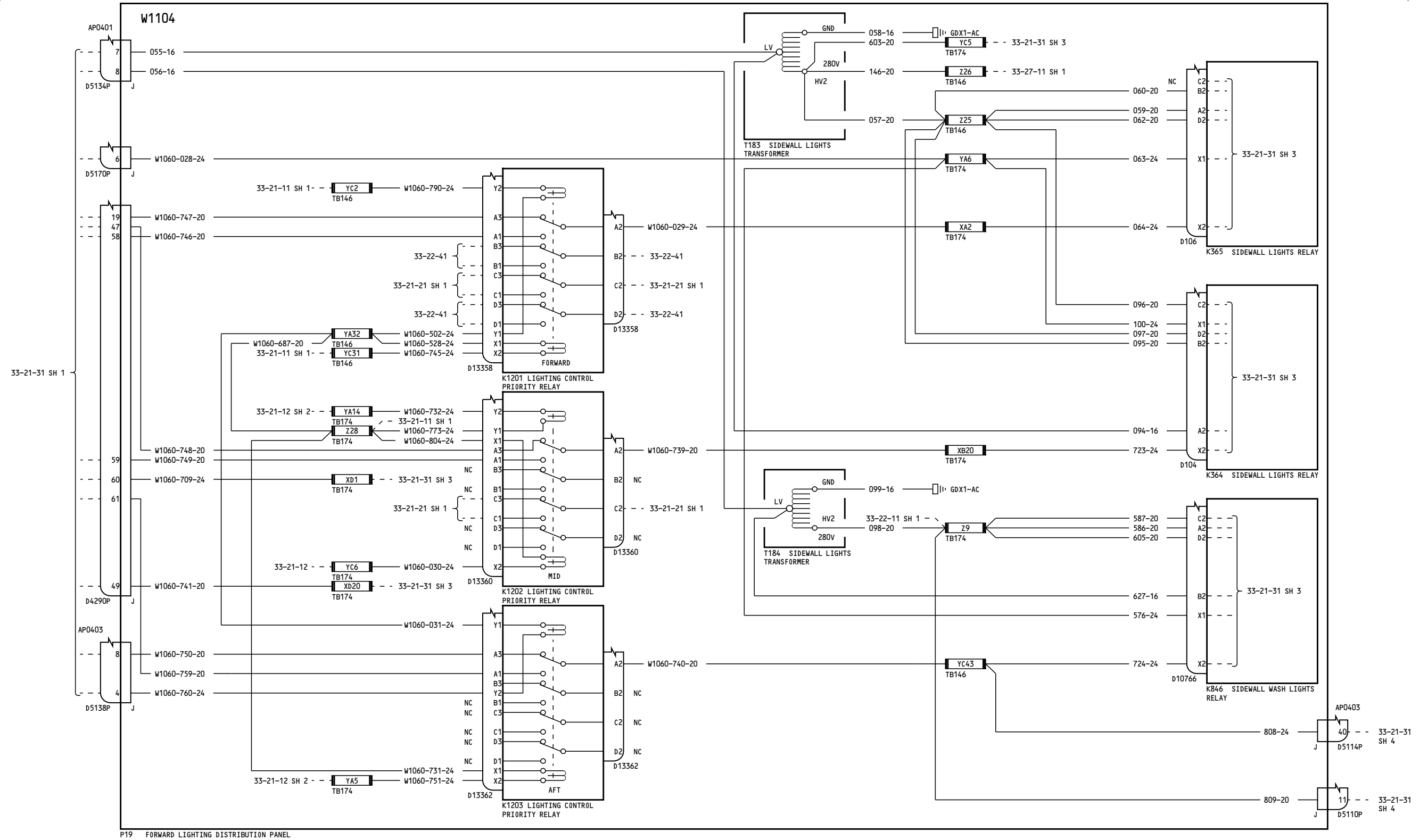
33-21-31

Page 4A
Sheet 1
Jan 21/2005

Incorporates
MTO 330342B

33-21-31

Page 4A
Sheet 1
Jan 21/2005



155-156

SIDEWALL WASH LIGHTS CONTROL

33-21-31

Incorporates
MTO 0330386

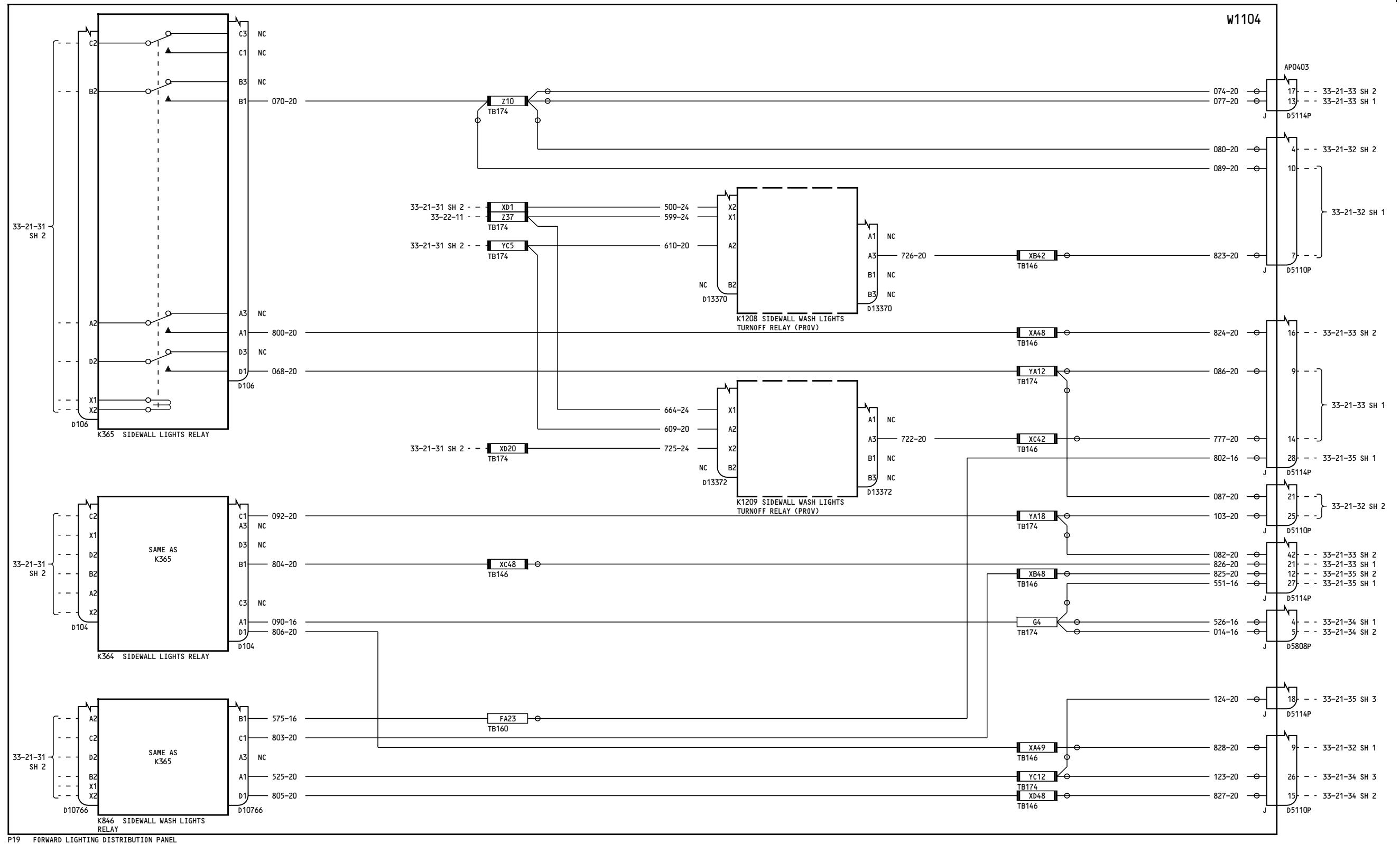
33-21-31

D280T132

Page 4A
Sheet 2
Jan 21/2005

Page 4A
Sheet 2
Jan 21/2005

81



P19 FORWARD LIGHTING DISTRIBUTION PANEL

155-156

SIDEWALL WASH LIGHTS CONTROL

33-21-31

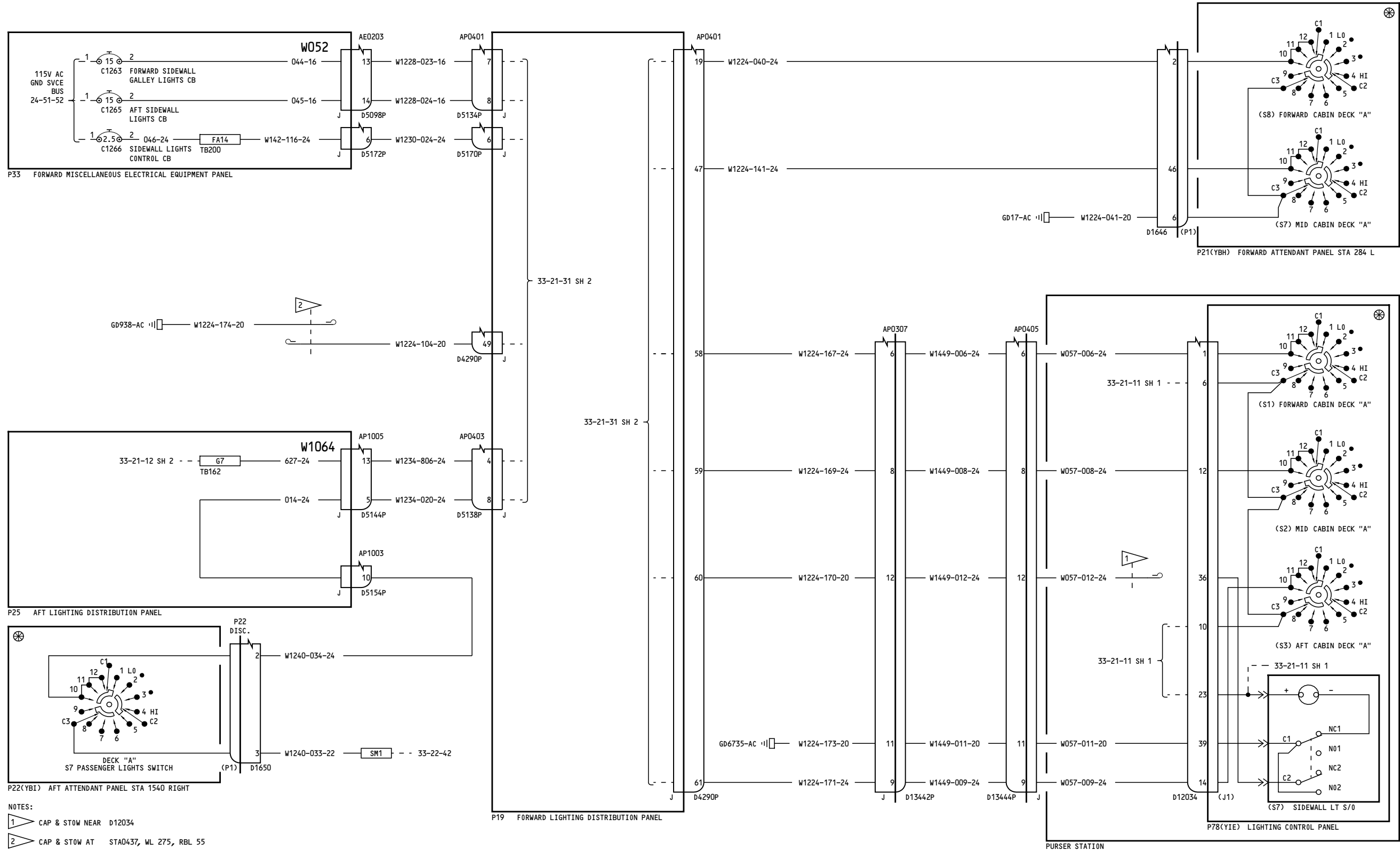
Incorporates
MTO 330342B

33-21-31

D280T132

Page 4A
Sheet 3
Jan 21/2005

Page 4A
Sheet 3
Jan 21/2005



NOTES:
 1 CAP & STOW NEAR D12034
 2 CAP & STOW AT STA0437, WL 275, RBL 55

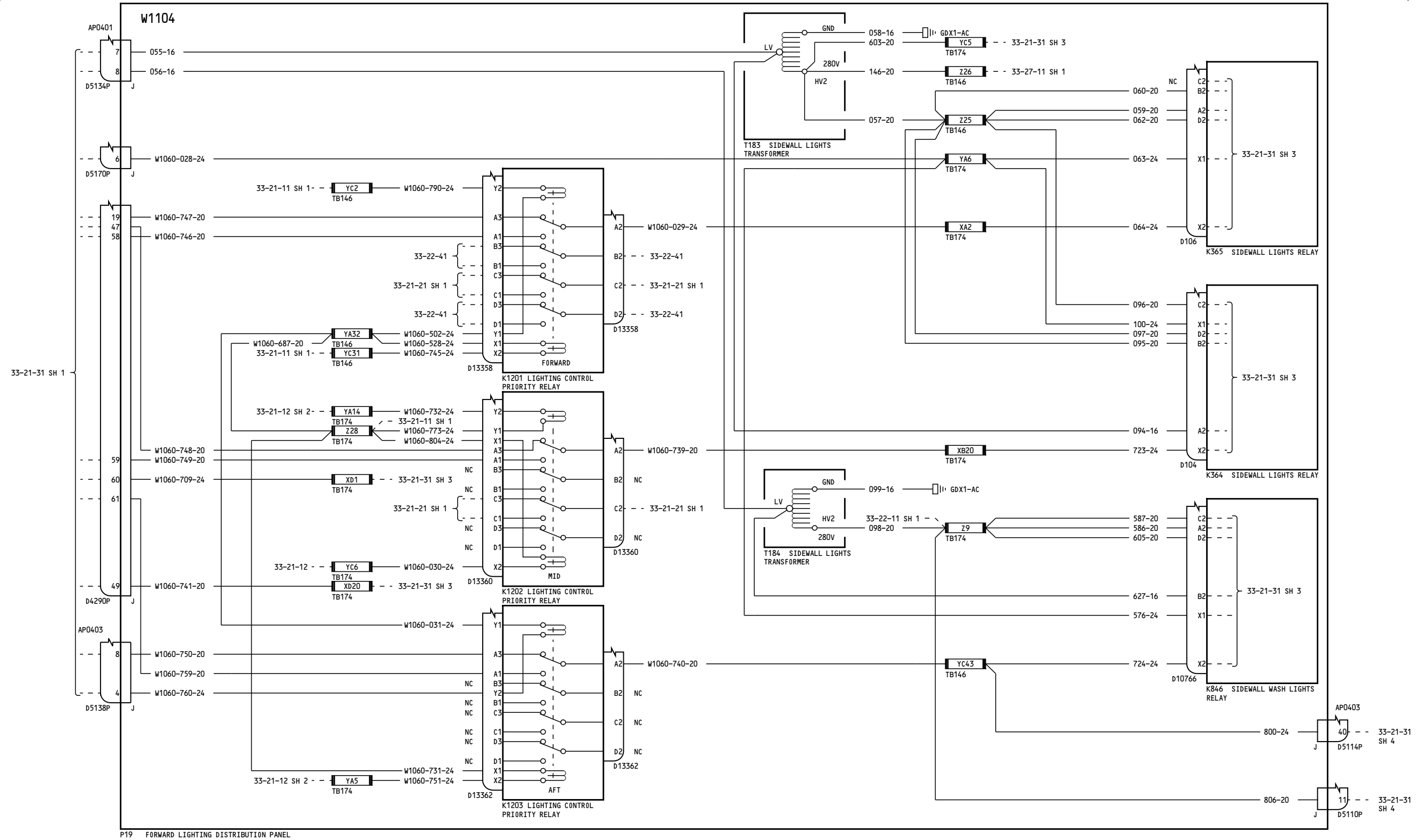
157

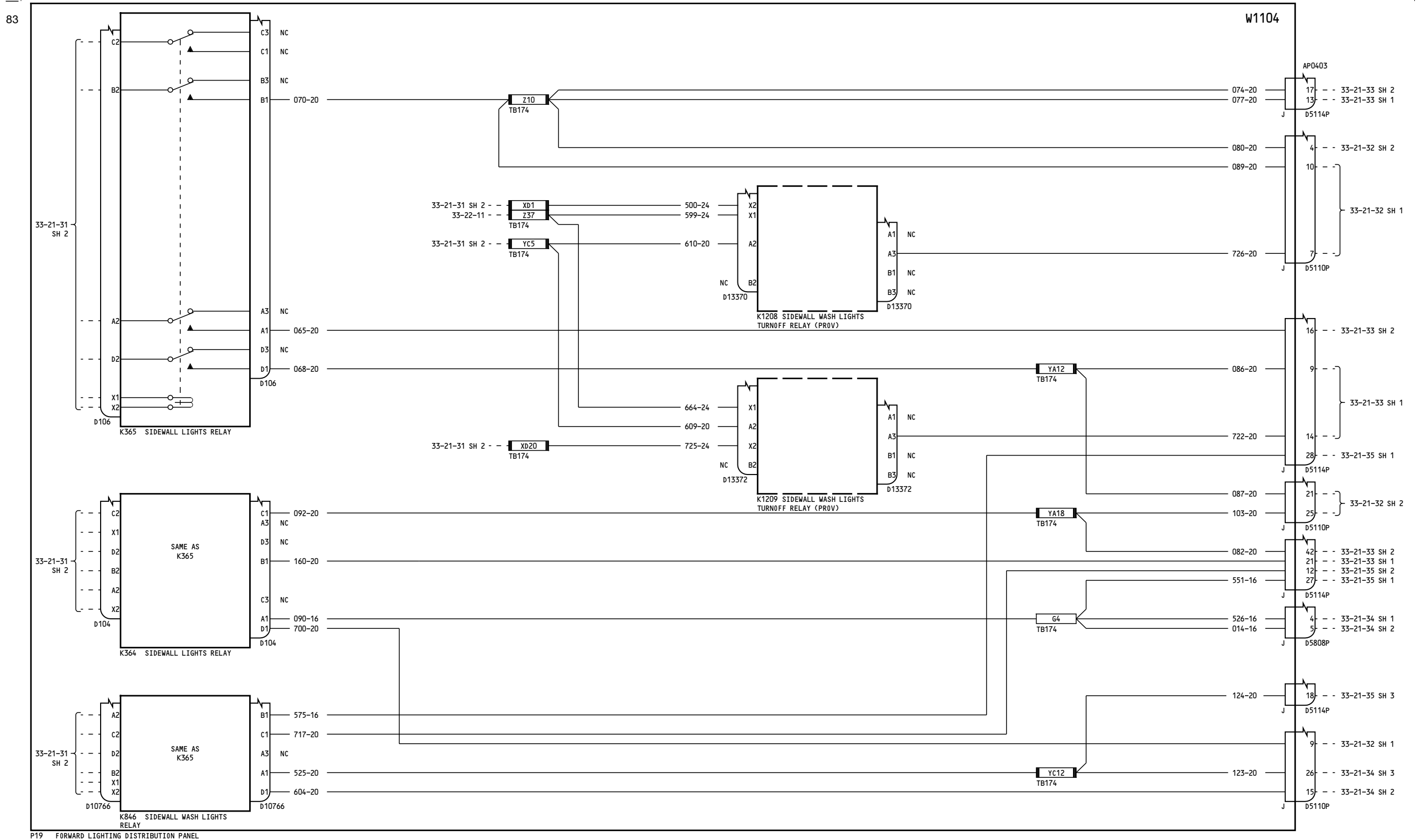
SIDEWALL WASH LIGHTS CONTROL
 D280T132

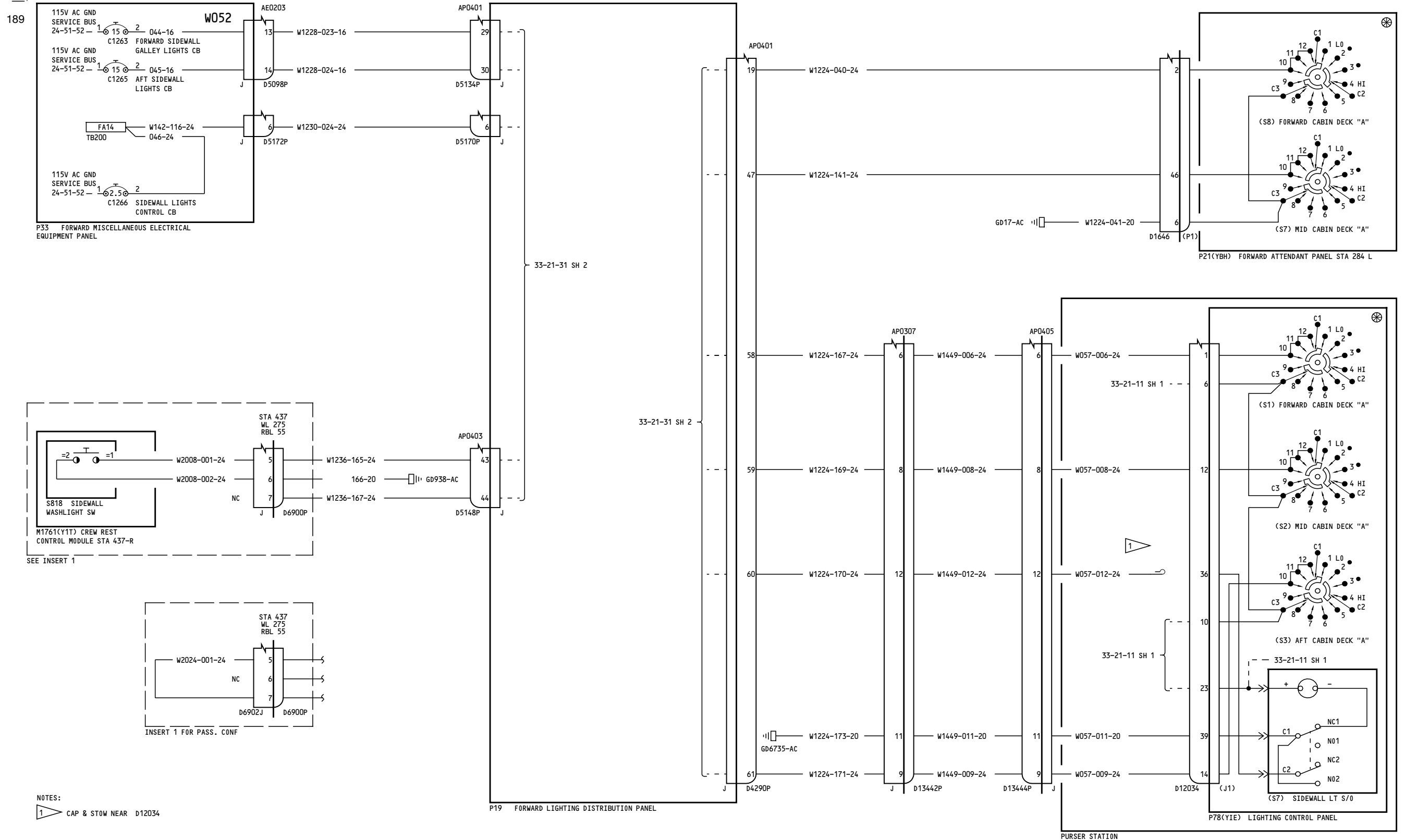
33-21-31
 Page 5A
 Sheet 1
 Jan 21/2005

Incorporates
 MTO 330342B

33-21-31
 Page 5A
 Sheet 1
 Jan 21/2005







162-165

SIDEWALL WASH LIGHTS CONTROL

33-21-31

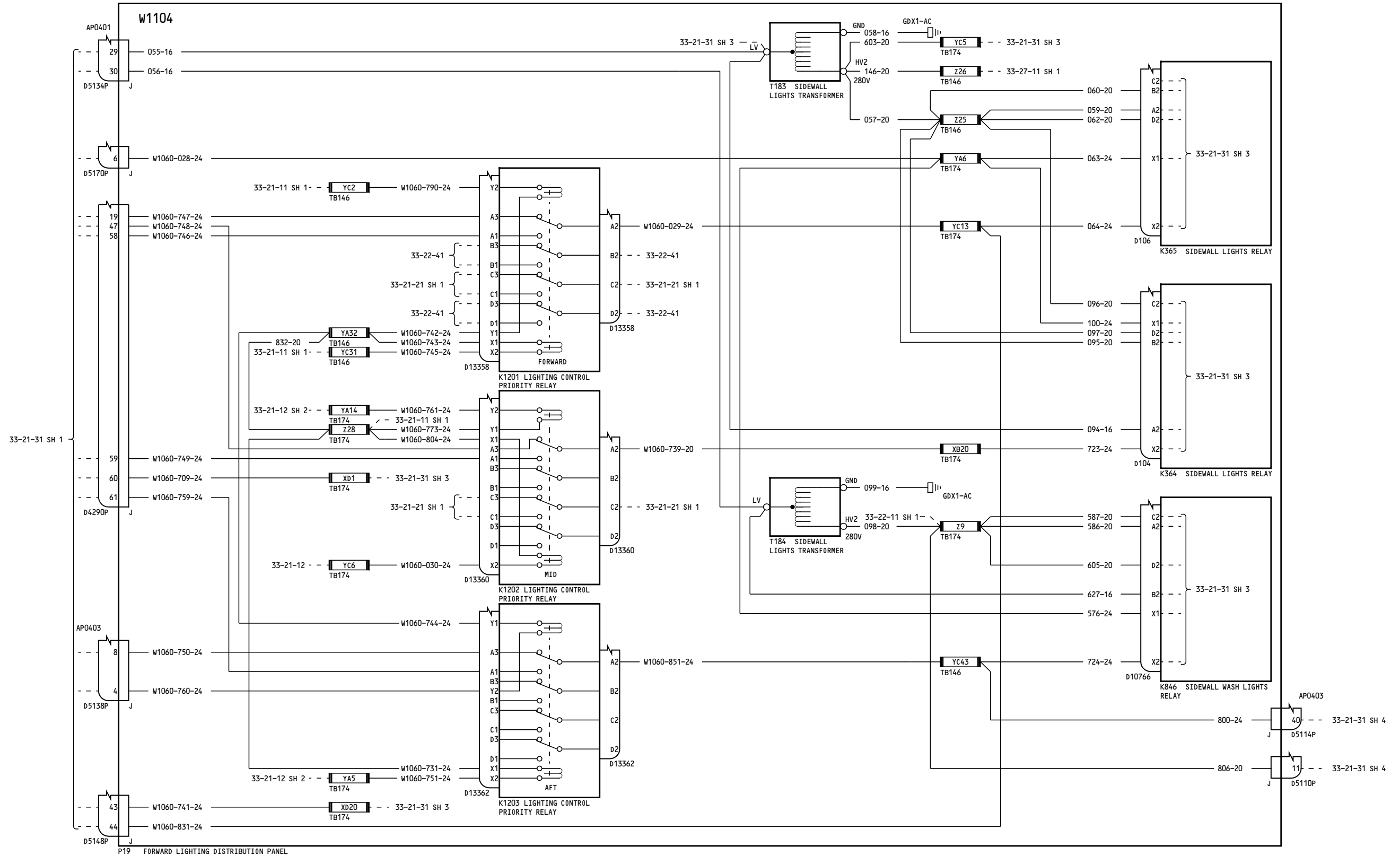
Incorporates
MTO 330348

33-21-31

D280T132

Page 6A
Sheet 1
Jan 21/2005

Page 6A
Sheet 1
Jan 21/2005



162-165

SIDEWALL WASH LIGHTS CONTROL

33-21-31

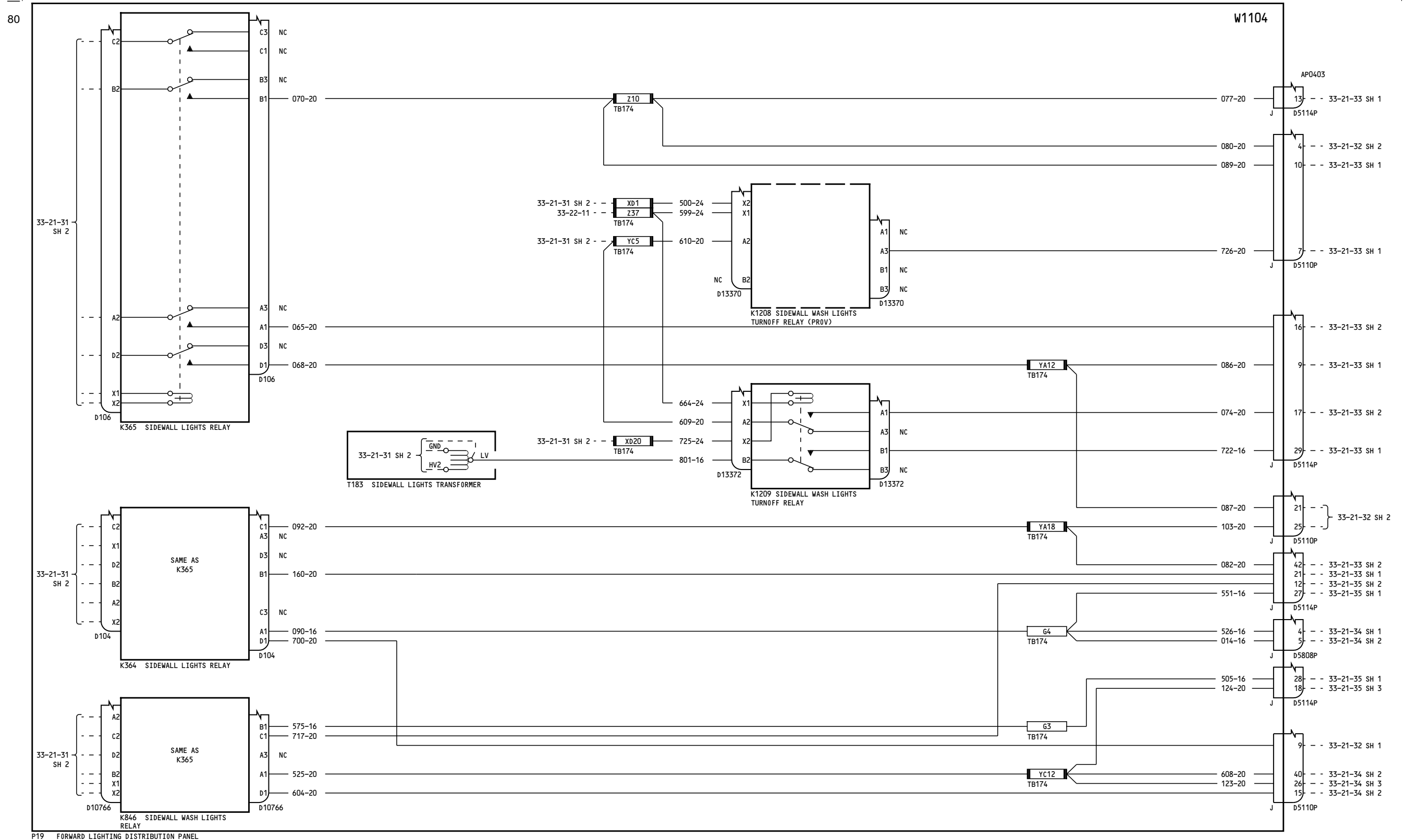
Incorporates
MTO 0330386

33-21-31

D280T132

Page 6A
Sheet 2
Jan 21/2005

Page 6A
Sheet 2
Jan 21/2005



162-165

SIDEWALL WASH LIGHTS CONTROL

33-21-31

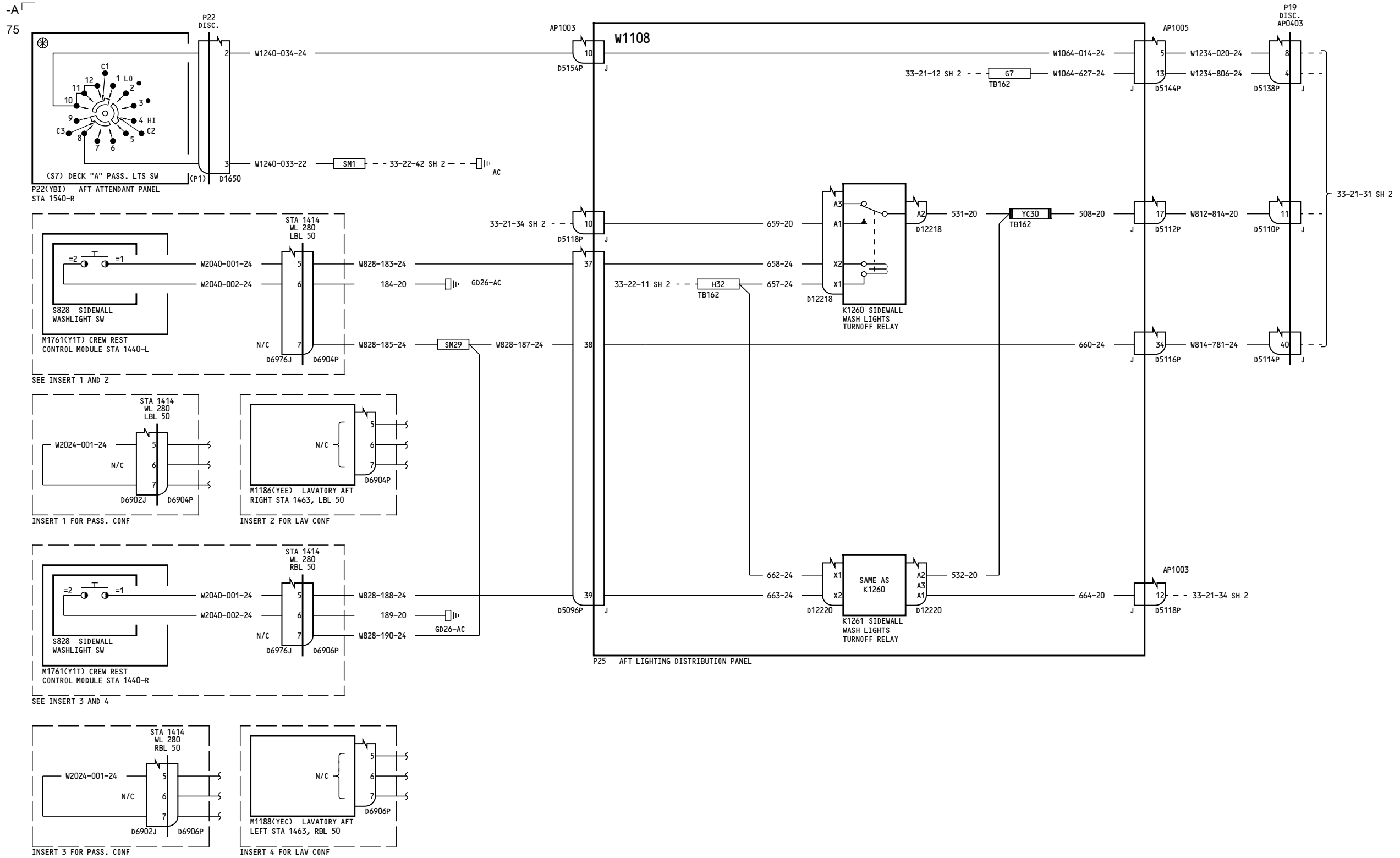
Incorporates
MTO 330348

33-21-31

D280T132

Page 6A
Sheet 3
Jan 21/2005

Page 6A
Sheet 3
Jan 21/2005



162-165

SIDEWALL WASH LIGHTS CONTROL

33-21-31

Incorporates
MTO 0330386

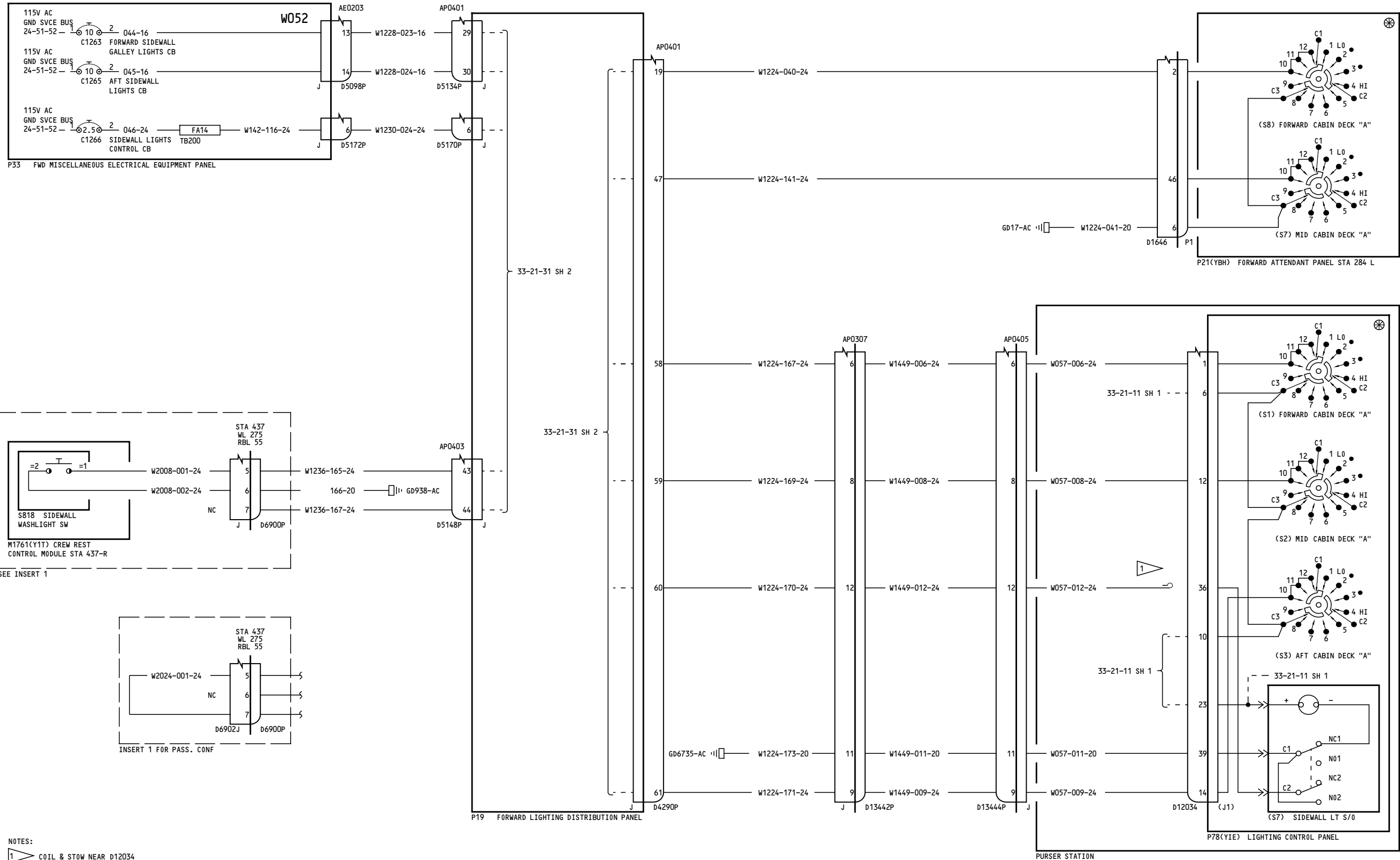
33-21-31

D280T132

Page 6A
Sheet 4
Jan 21/2005

Page 6A
Sheet 4
Jan 21/2005

190



NOTES:
 COIL & STOW NEAR D12034

166

SIDEWALL WASH LIGHTS CONTROL
 D280T132

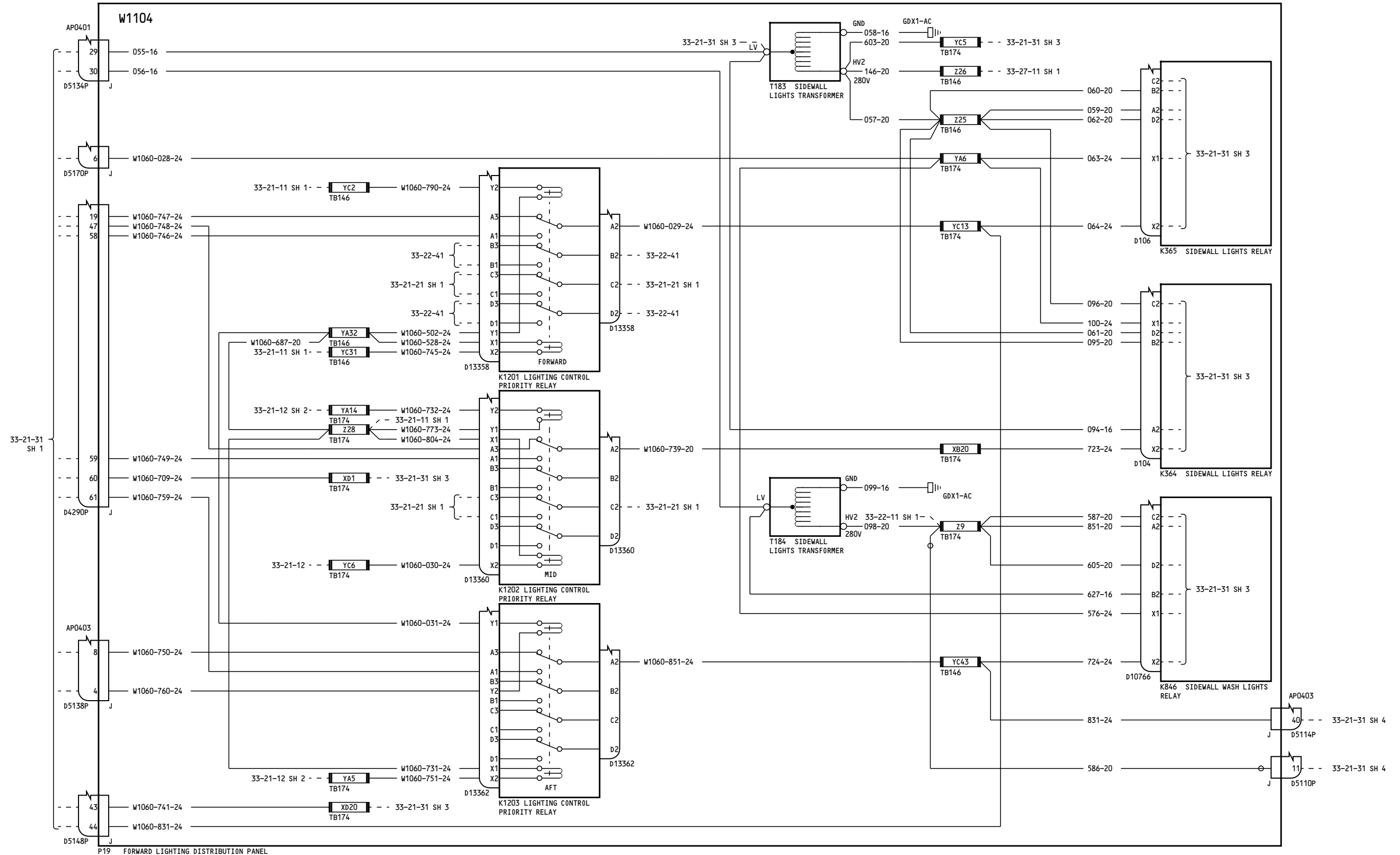
33-21-31

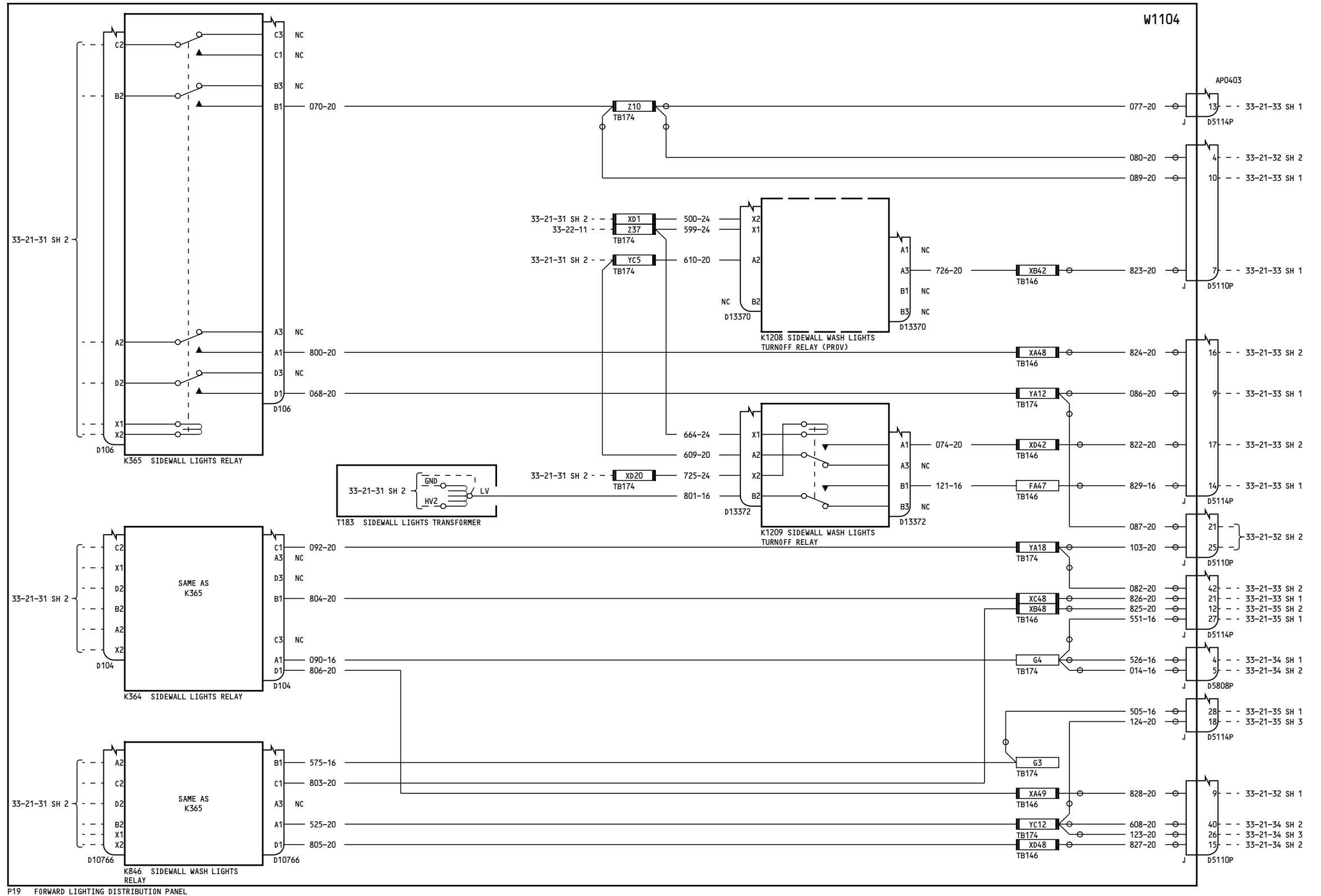
Page 7A
 Sheet 1
 Jan 21/2005

Incorporates
 MTO 330348

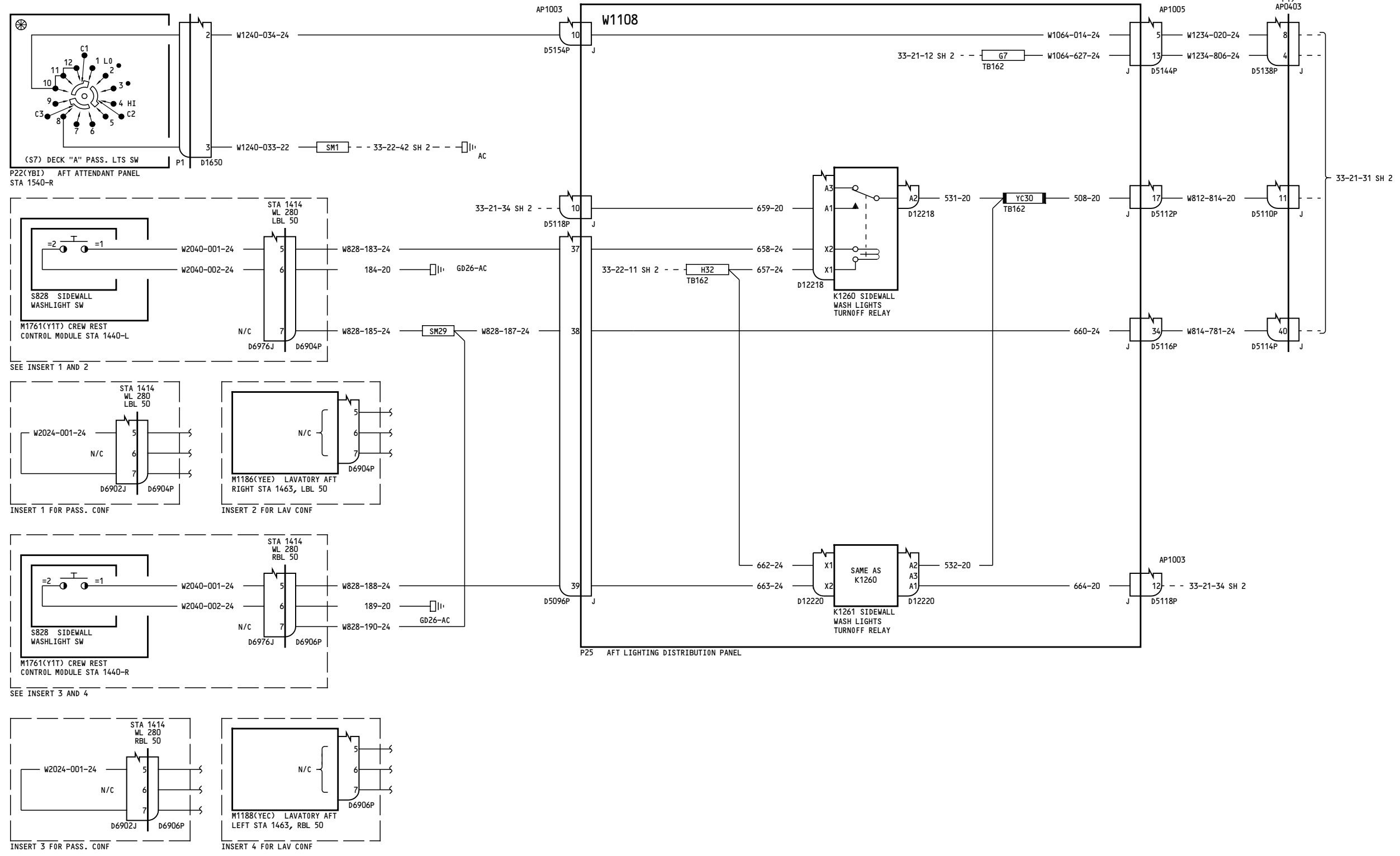
33-21-31

Page 7A
 Sheet 1
 Jan 21/2005





-A
76



166

SIDEWALL WASH LIGHTS CONTROL

33-21-31

Incorporates
MTO 0330386

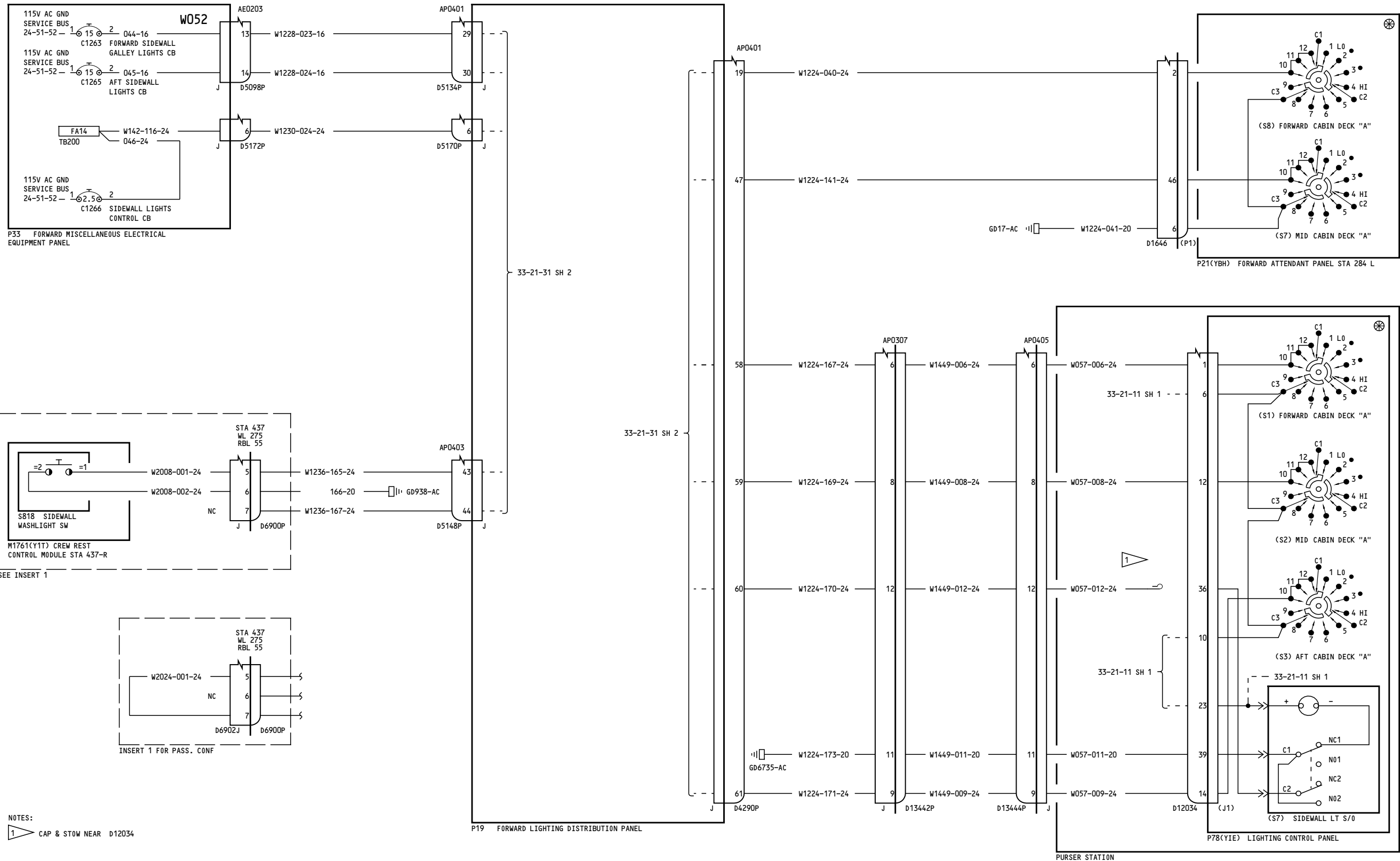
33-21-31

D280T132

Page 7A
Sheet 4
Jan 21/2005

Page 7A
Sheet 4
Jan 21/2005

189



NOTES:
1 CAP & STOW NEAR D12034

167

SIDEWALL WASH LIGHTS CONTROL

33-21-31

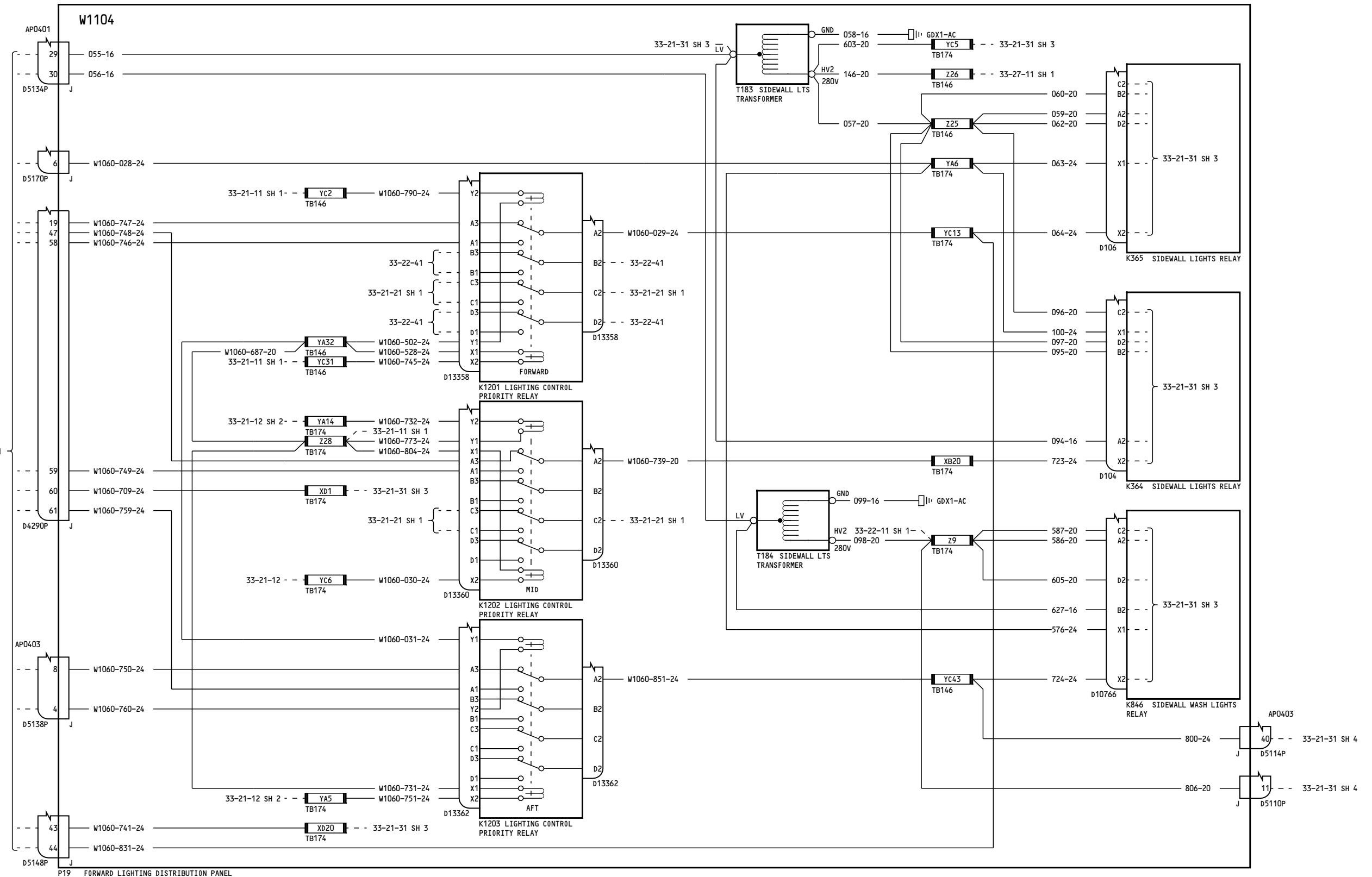
Page 8A
Sheet 1
Jan 21/2005

D280T132

Incorporates
MTO 330348

33-21-31

Page 8A
Sheet 1
Jan 21/2005



167

SIDEWALL WASH LIGHTS CONTROL

D280T132

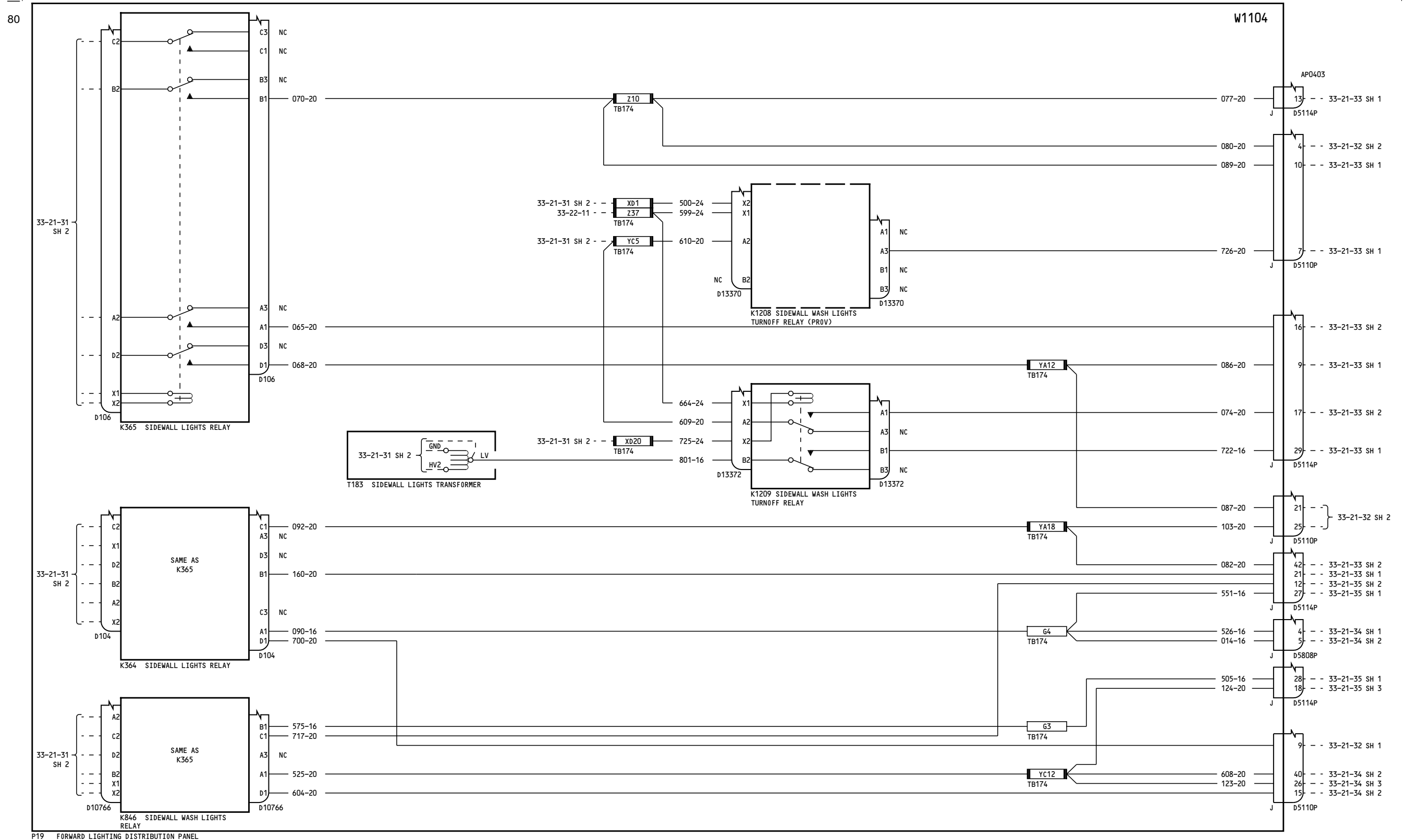
33-21-31

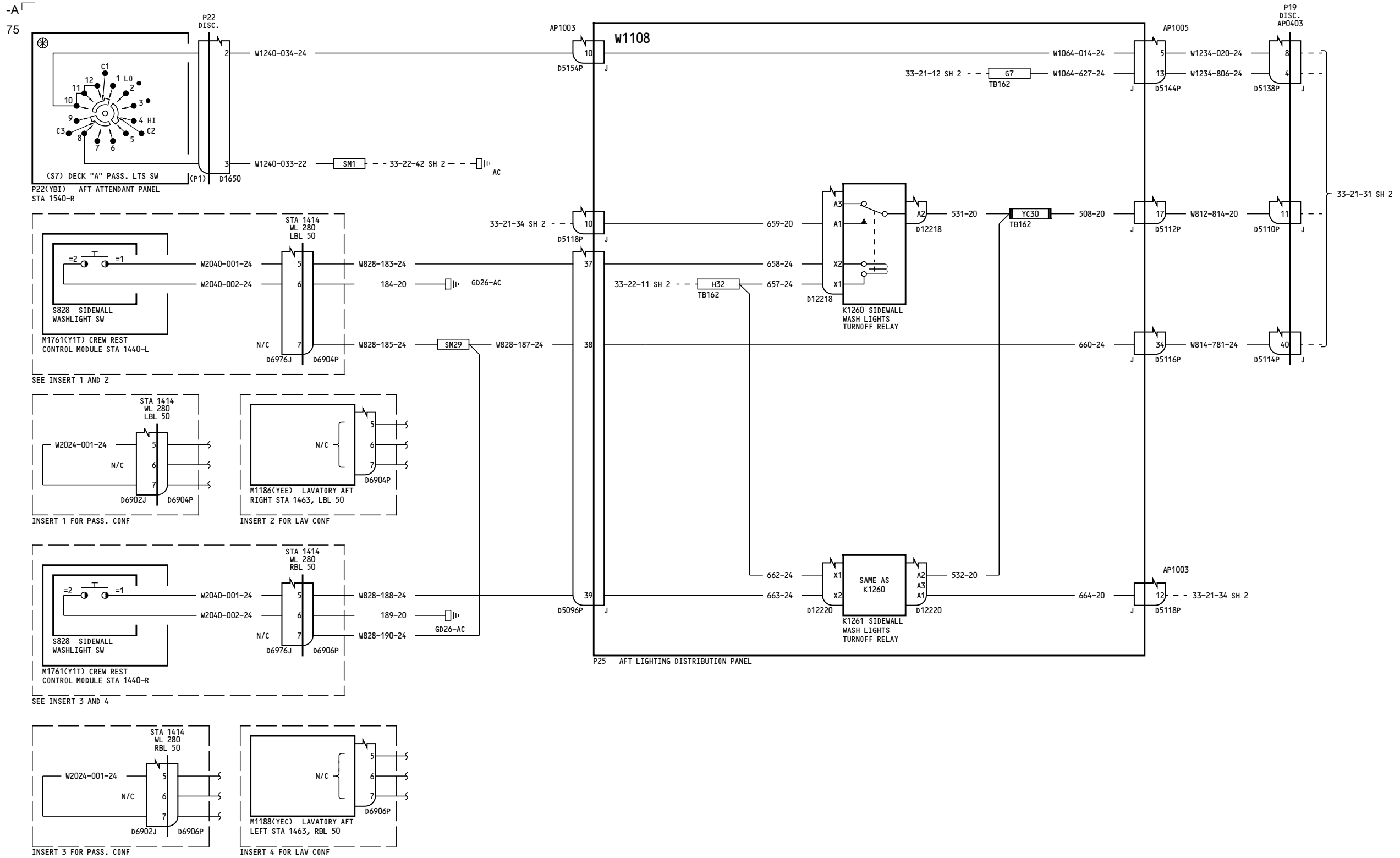
Page 8A
Sheet 2
Jan 21/2005

BOEING PROPRIETARY - Copyright © - Unpublished Work - See title page for details.

33-21-31

Page 8A
Sheet 2
Jan 21/2005





| | |
|-----|--------------------------------------------------------------------------------------------------------------------------------|
| 167 | <p align="center">SIDEWALL WASH LIGHTS CONTROL</p> <p align="center">33-21-31</p> <p align="center">D280T132</p> |
|-----|--------------------------------------------------------------------------------------------------------------------------------|

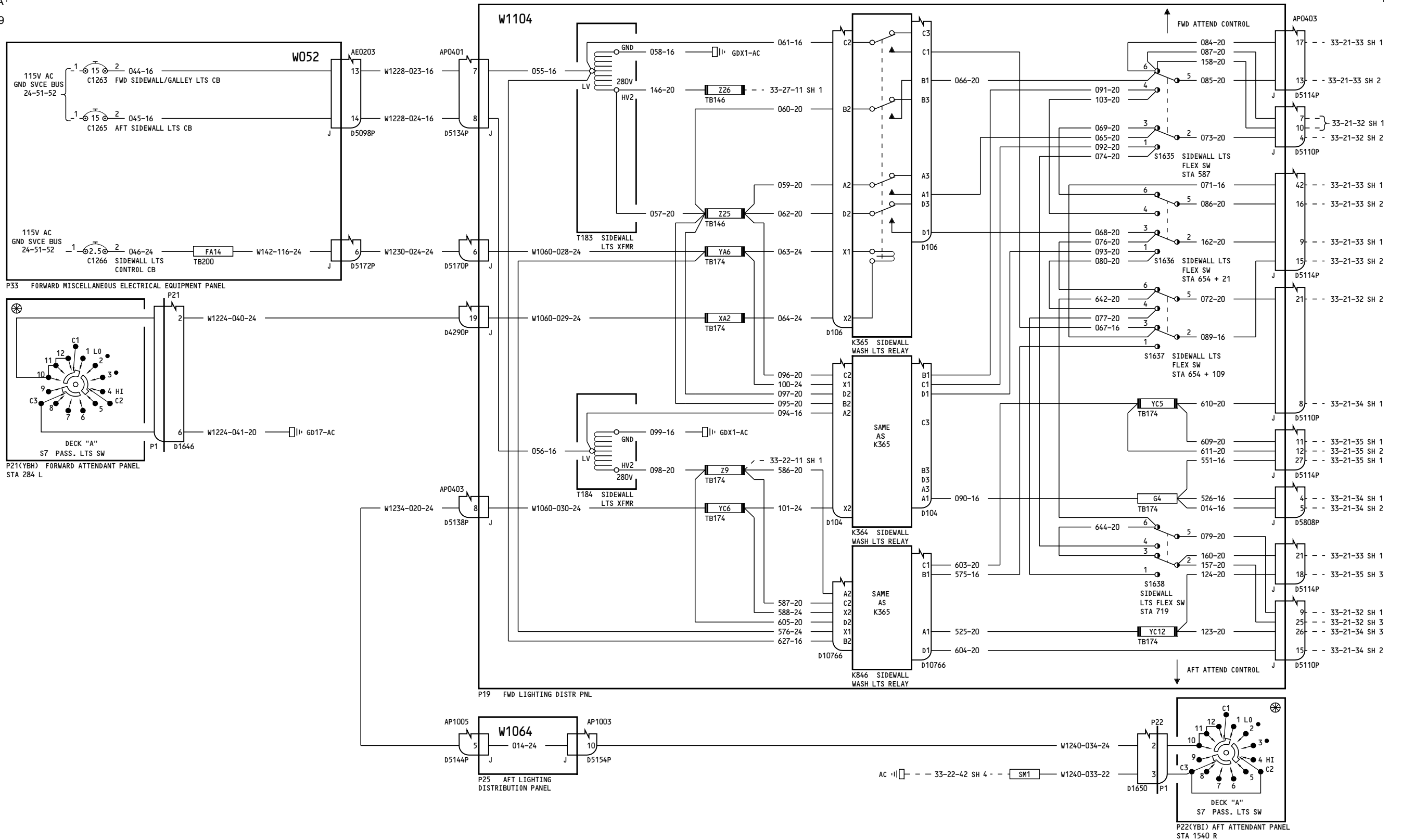
33-21-31

Page 8A
Sheet 4
Jan 21/2005

Incorporates
MTO 0330386

33-21-31

Page 8A
Sheet 4
Jan 21/2005



275-278

SIDEWALL WASH LIGHTS CONTROL

33-21-31

Page 9

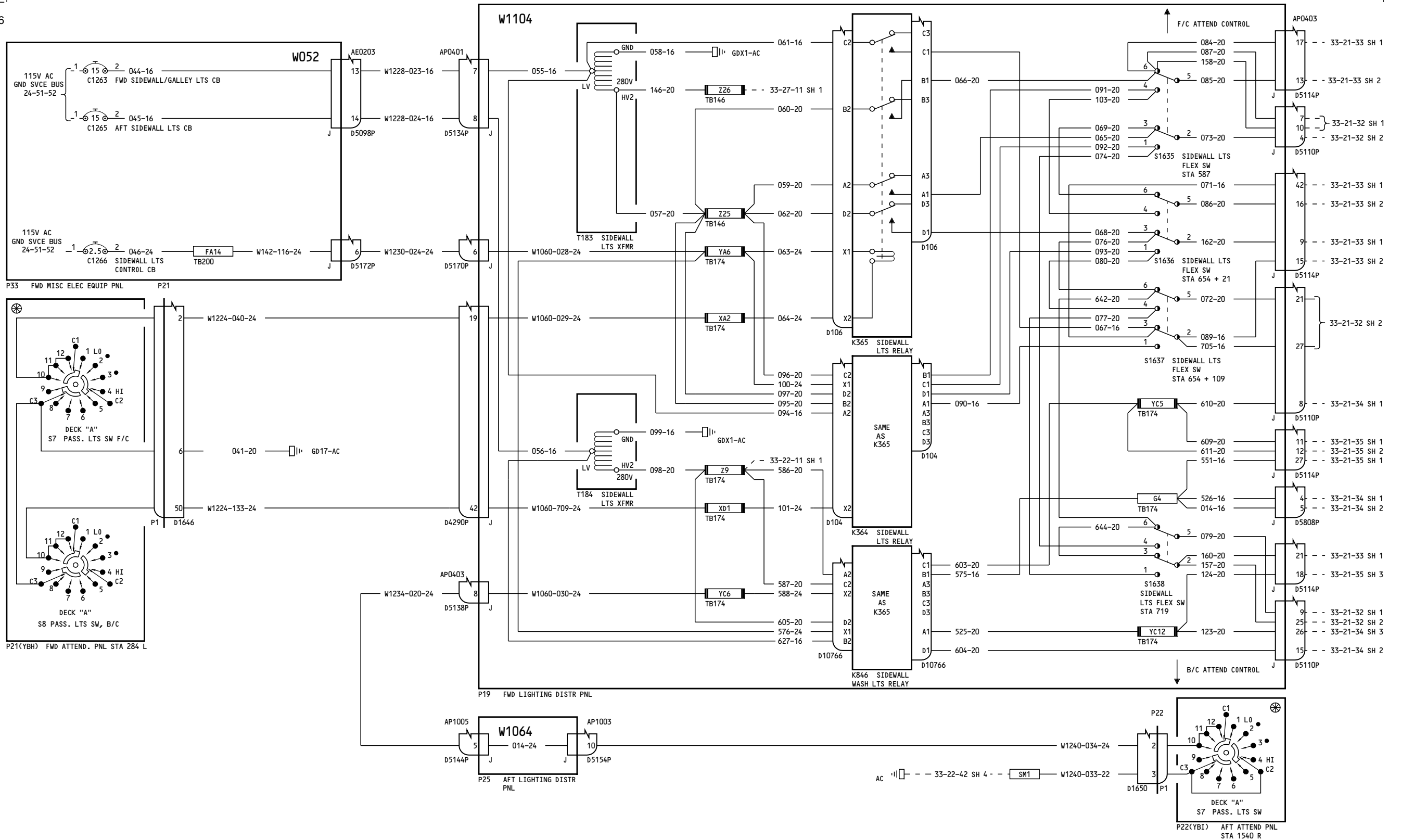
Jan 21/2005

D280T132

33-21-31

Page 9

Jan 21/2005



280-299

SIDEWALL WASH LIGHTS CONTROL

33-21-31

Page 10

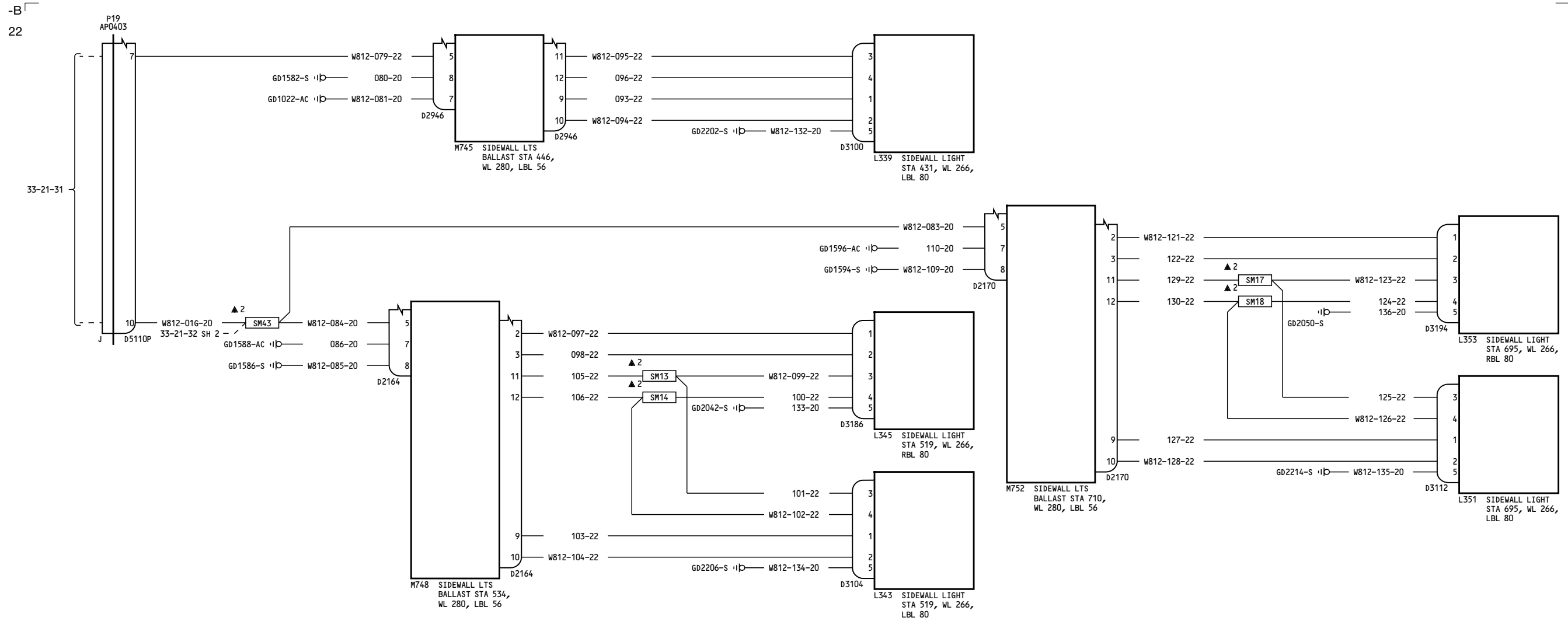
D280T132

Jan 21/2005

33-21-31

Page 10

Jan 21/2005



050-099

FORWARD SIDEWALL WASH LIGHTS & LEFT BALLASTS

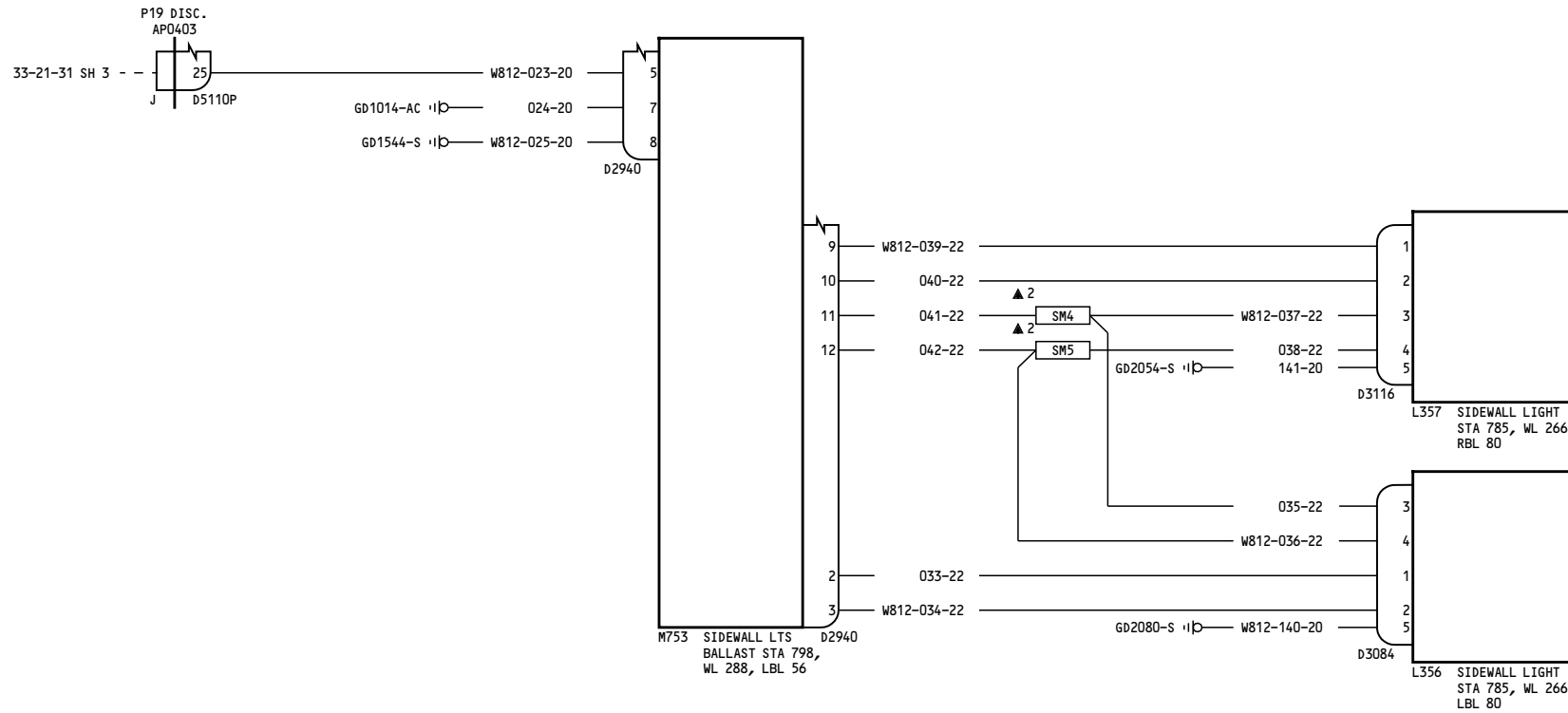
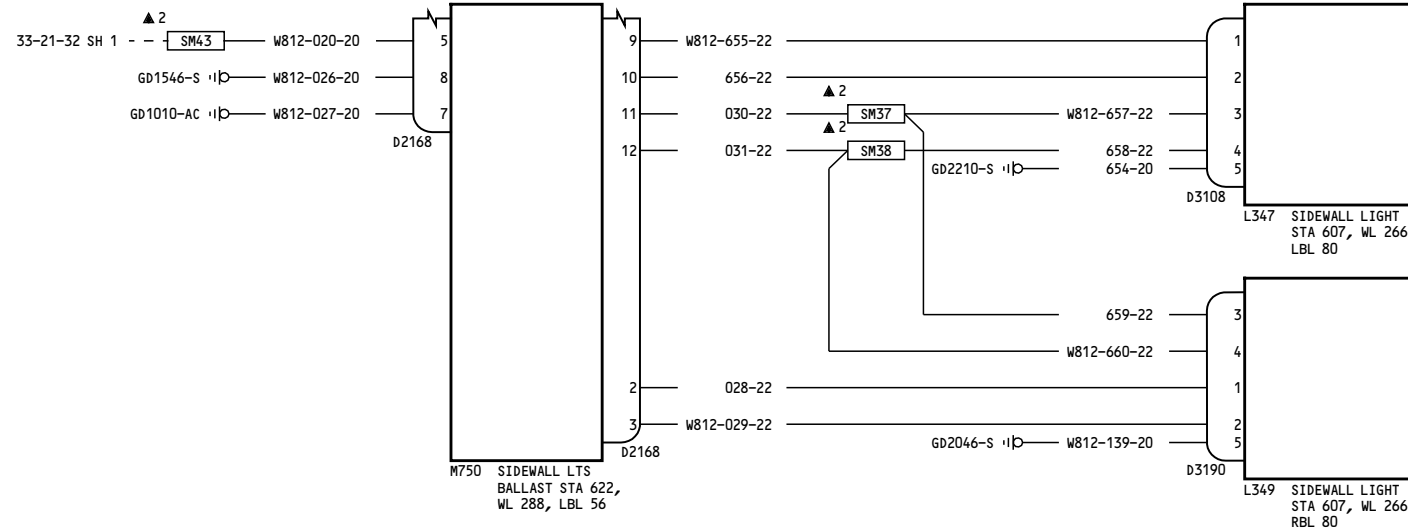
33-21-32

Page 1
Sheet 1
Jan 21/2005

D280T132

33-21-32

Page 1
Sheet 1
Jan 21/2005



050-099

FORWARD SIDEWALL WASH LIGHTS & LEFT BALLASTS

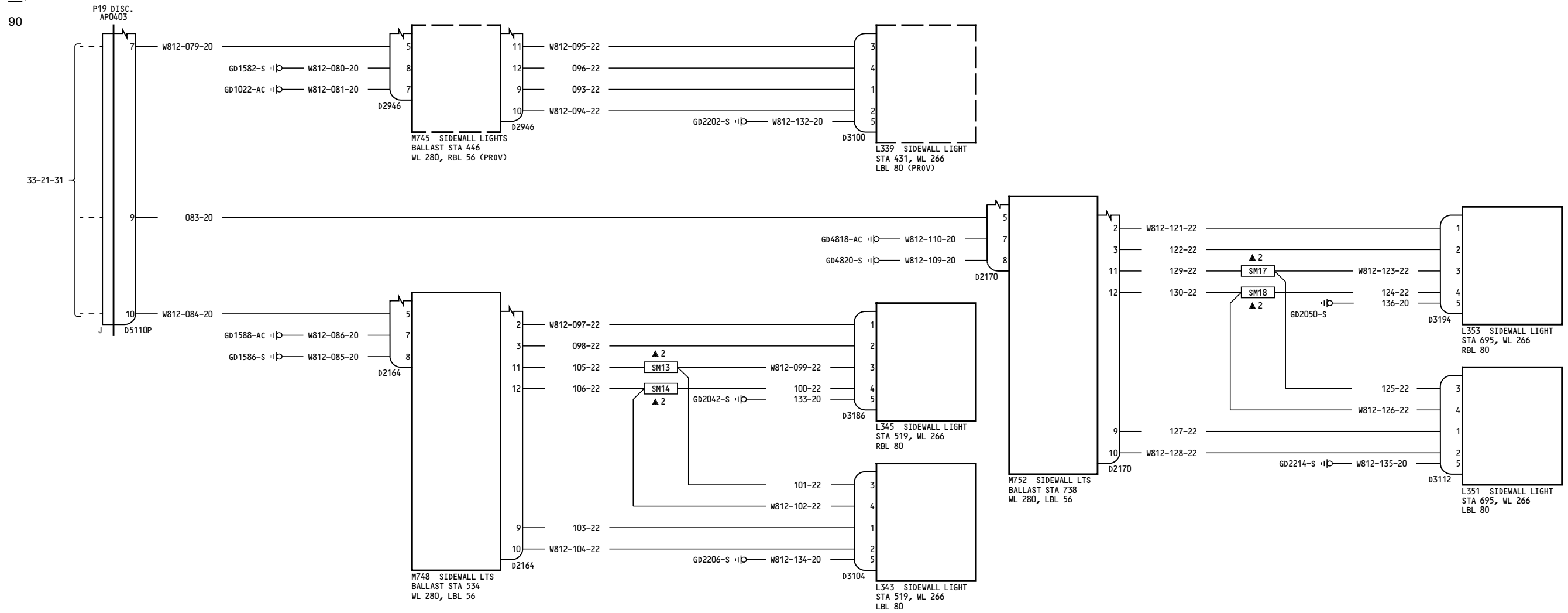
D280T132

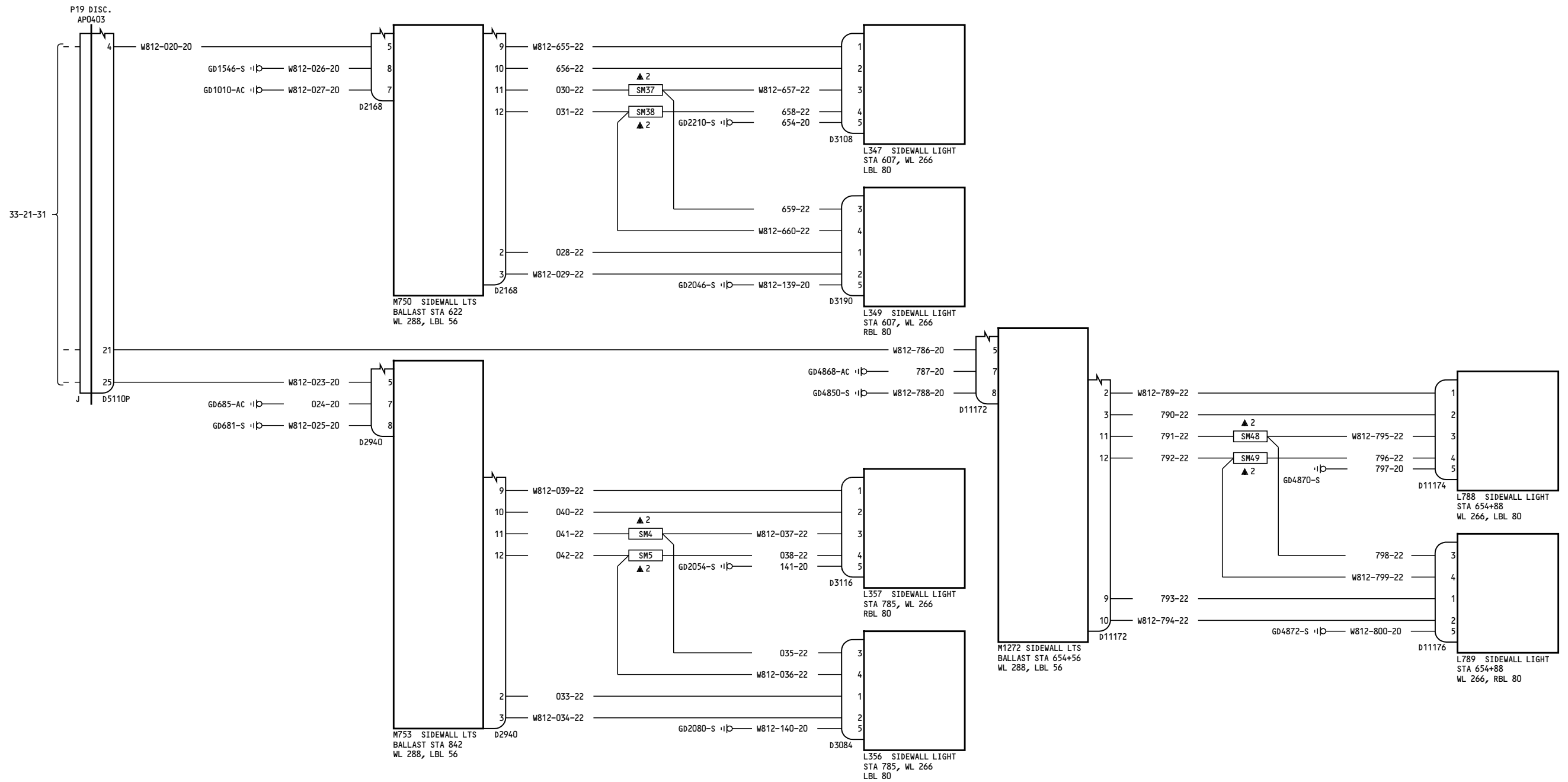
33-21-32

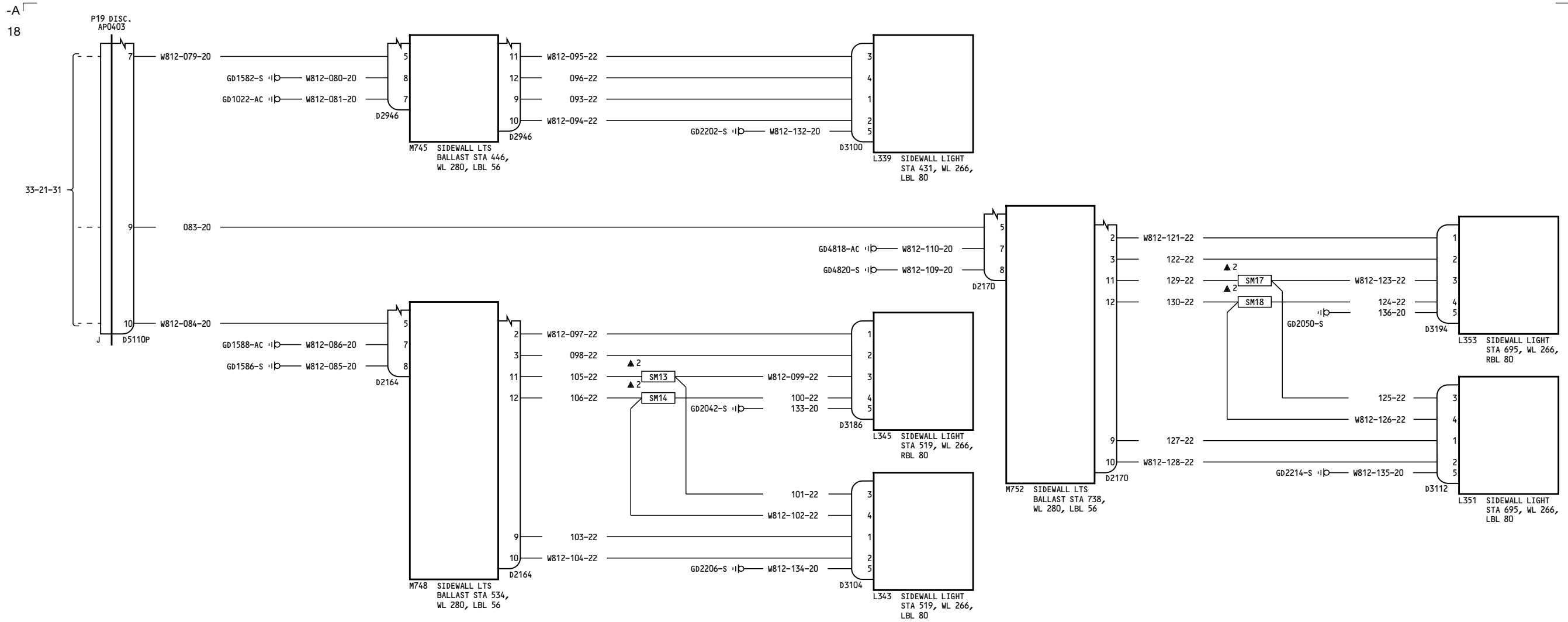
Page 1
Sheet 2
Jan 21/2005

33-21-32

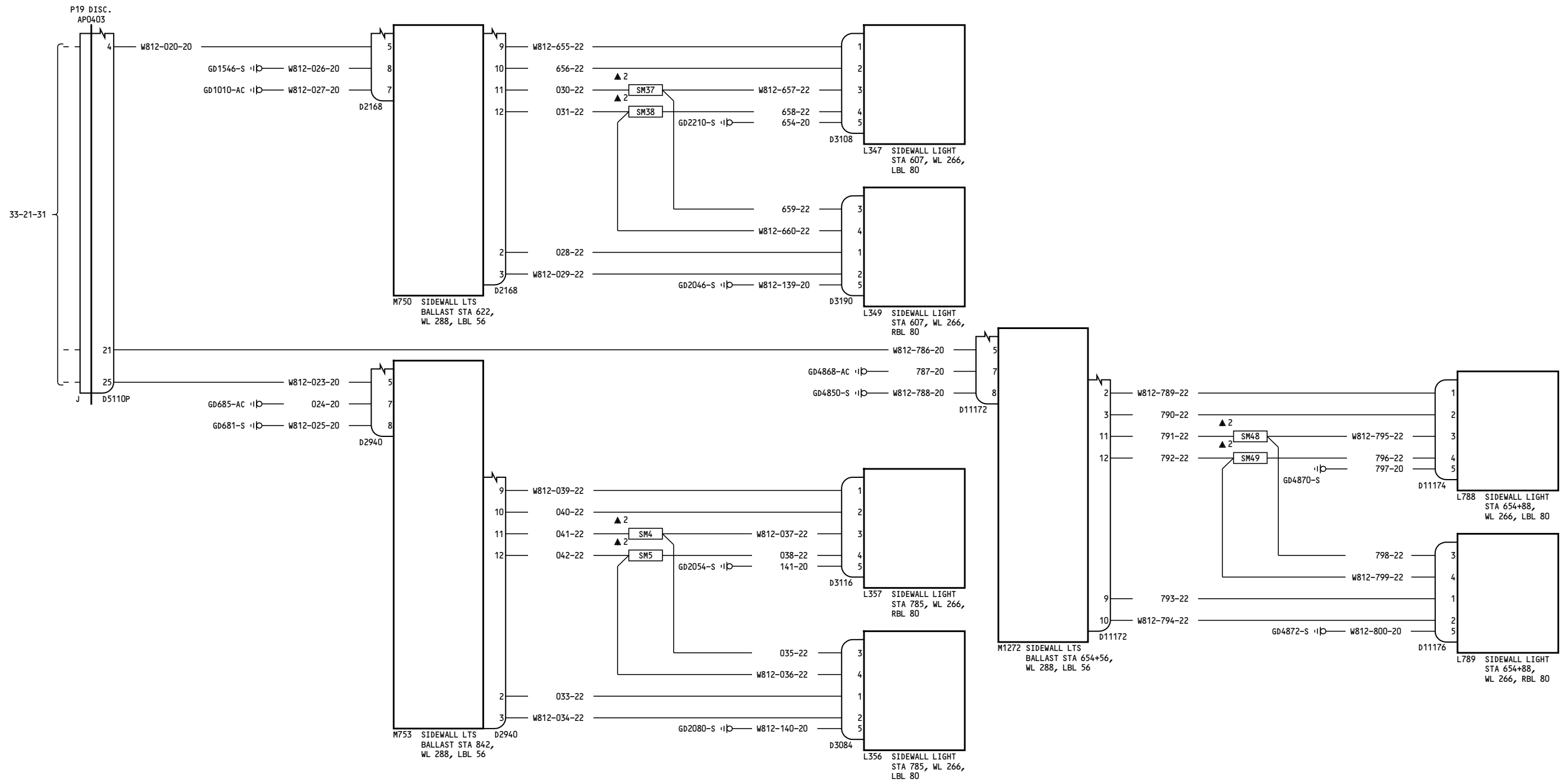
Page 1
Sheet 2
Jan 21/2005







18



151-152

FORWARD SIDEWALL WASH LIGHTS & LEFT BALLASTS

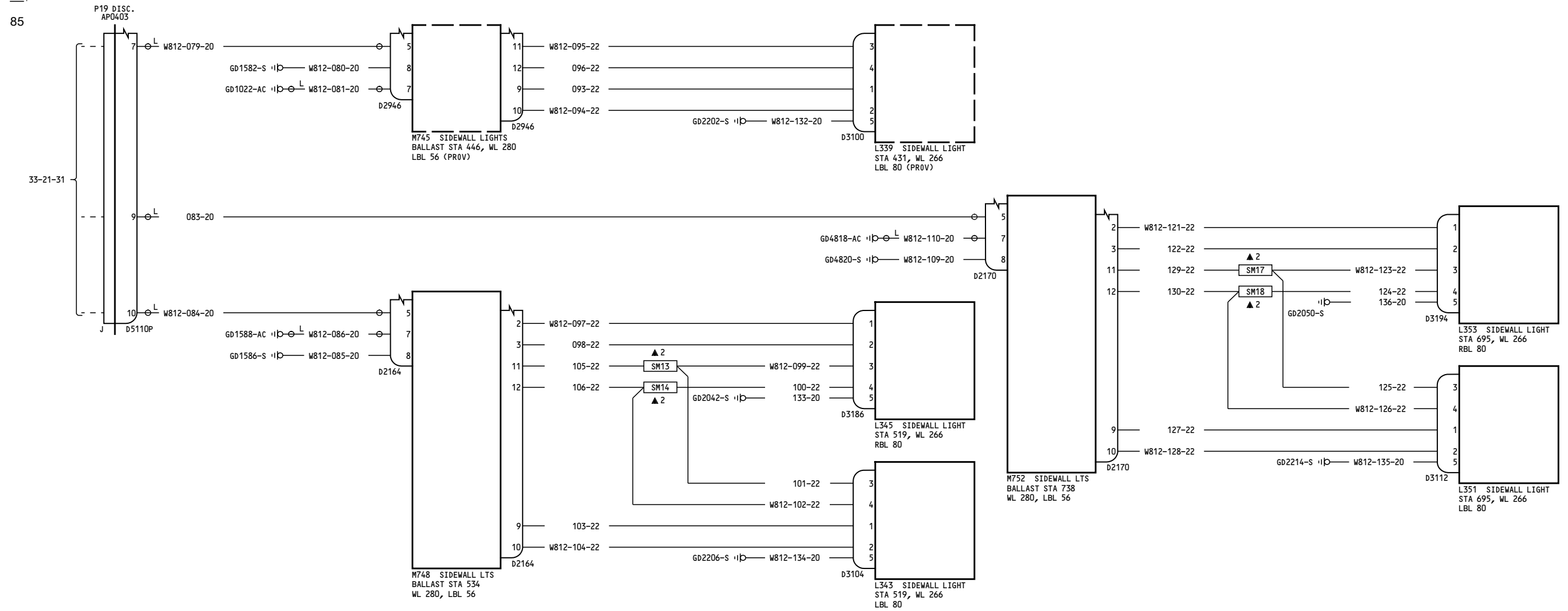
33-21-32

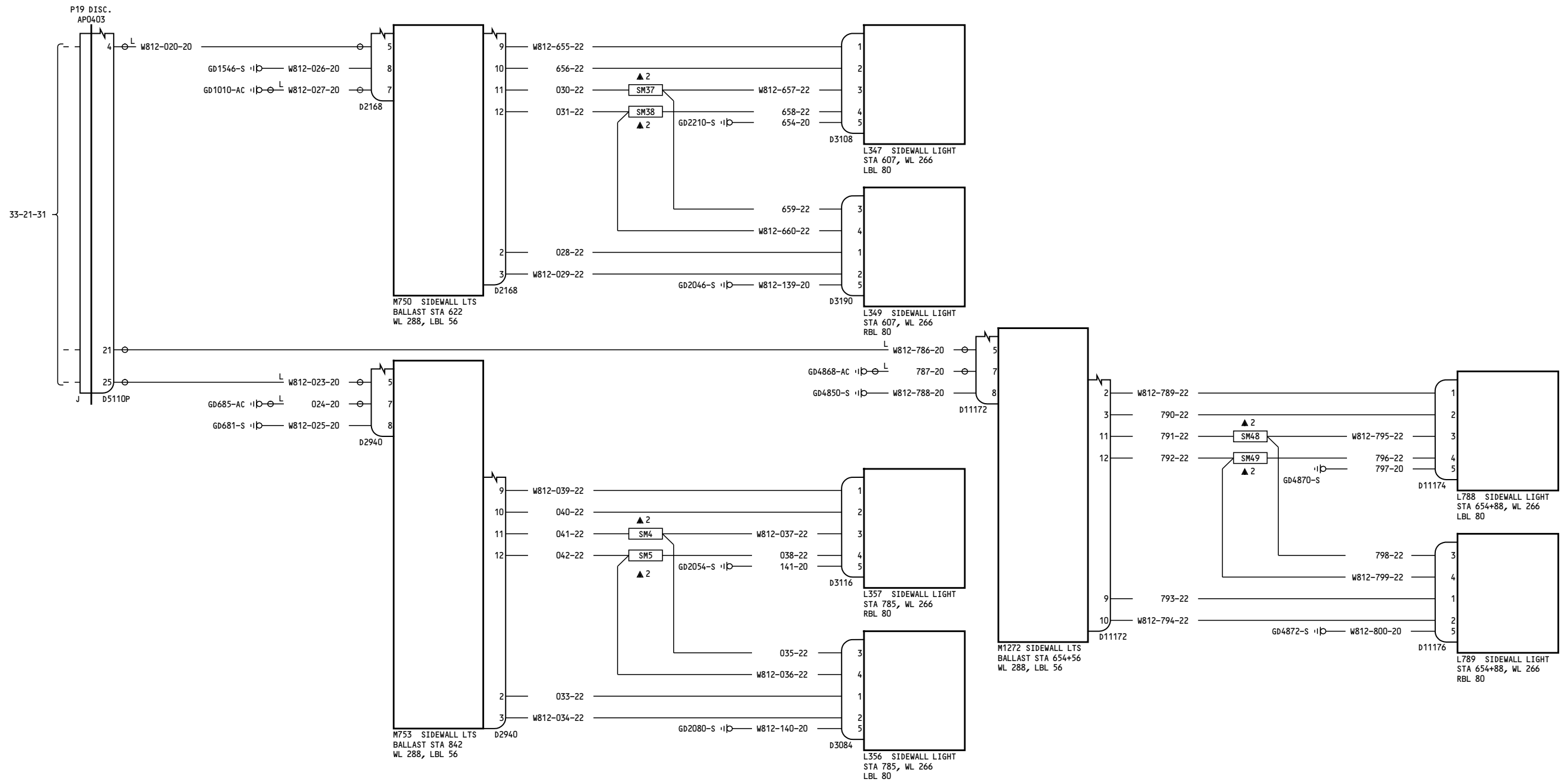
Page 3
Sheet 2
Jan 21/2005

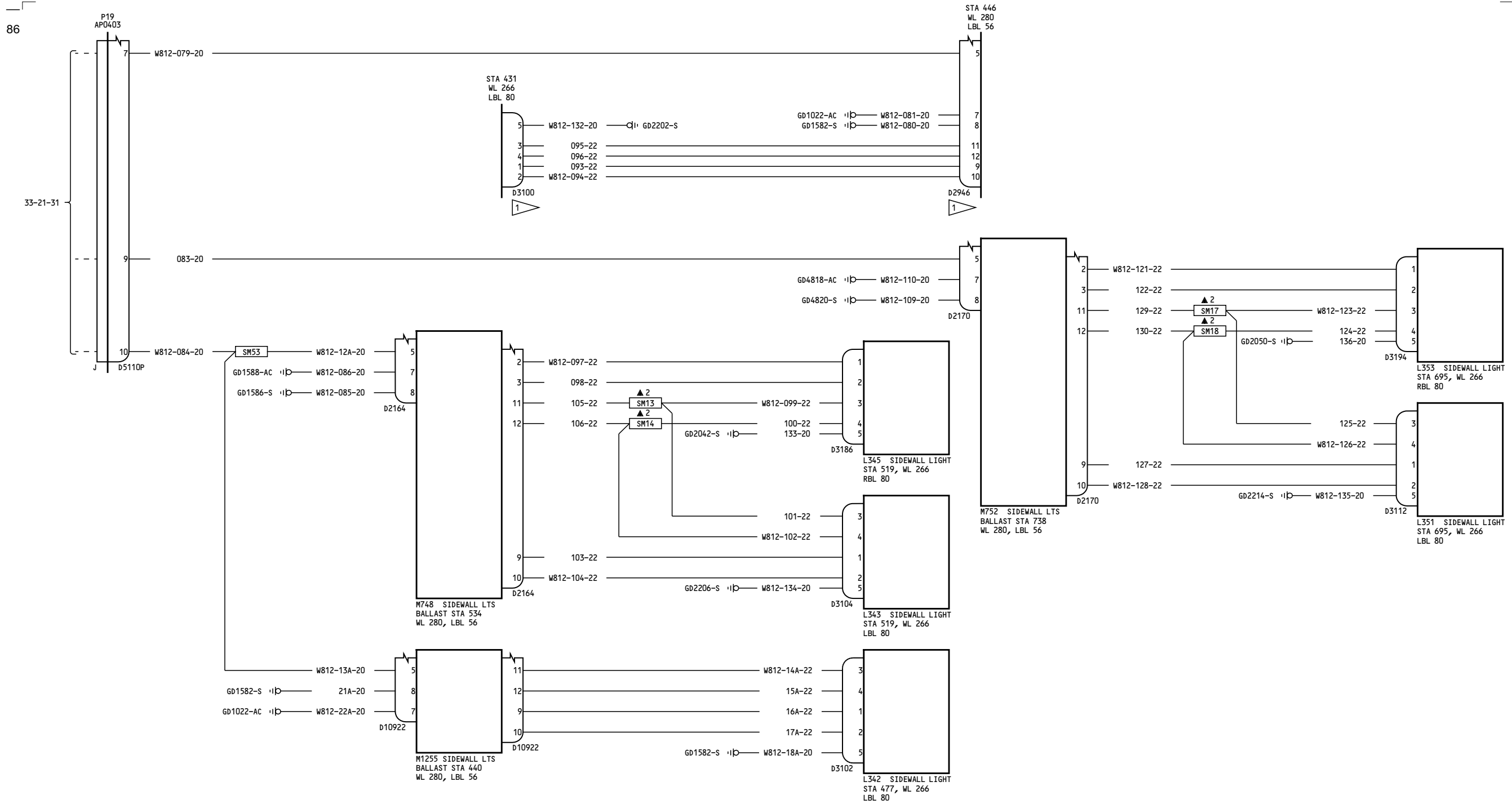
D280T132

33-21-32

Page 3
Sheet 2
Jan 21/2005







NOTES:
 1 NO CONNECTION CONNECTOR CAPPED

162-163

FORWARD SIDEWALL WASH LIGHTS & LEFT BALLASTS

D280T132

33-21-32

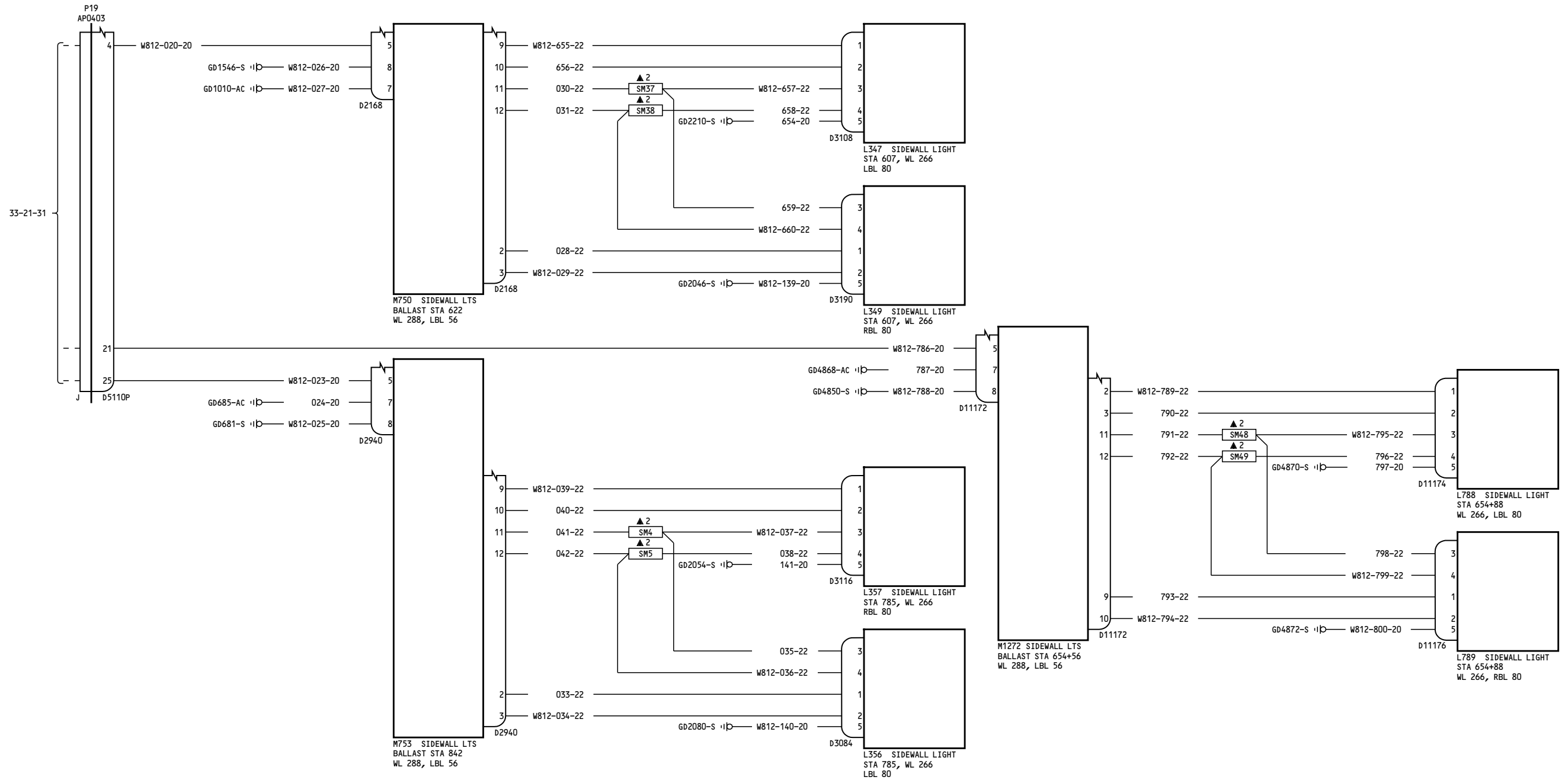
Page 5A
 Sheet 1
 Jan 21/2005

Incorporates
 MTO 330296
 MTO 330348

33-21-32

Page 5A
 Sheet 1
 Jan 21/2005

88



162-163

FORWARD SIDEWALL WASH LIGHTS & LEFT BALLASTS

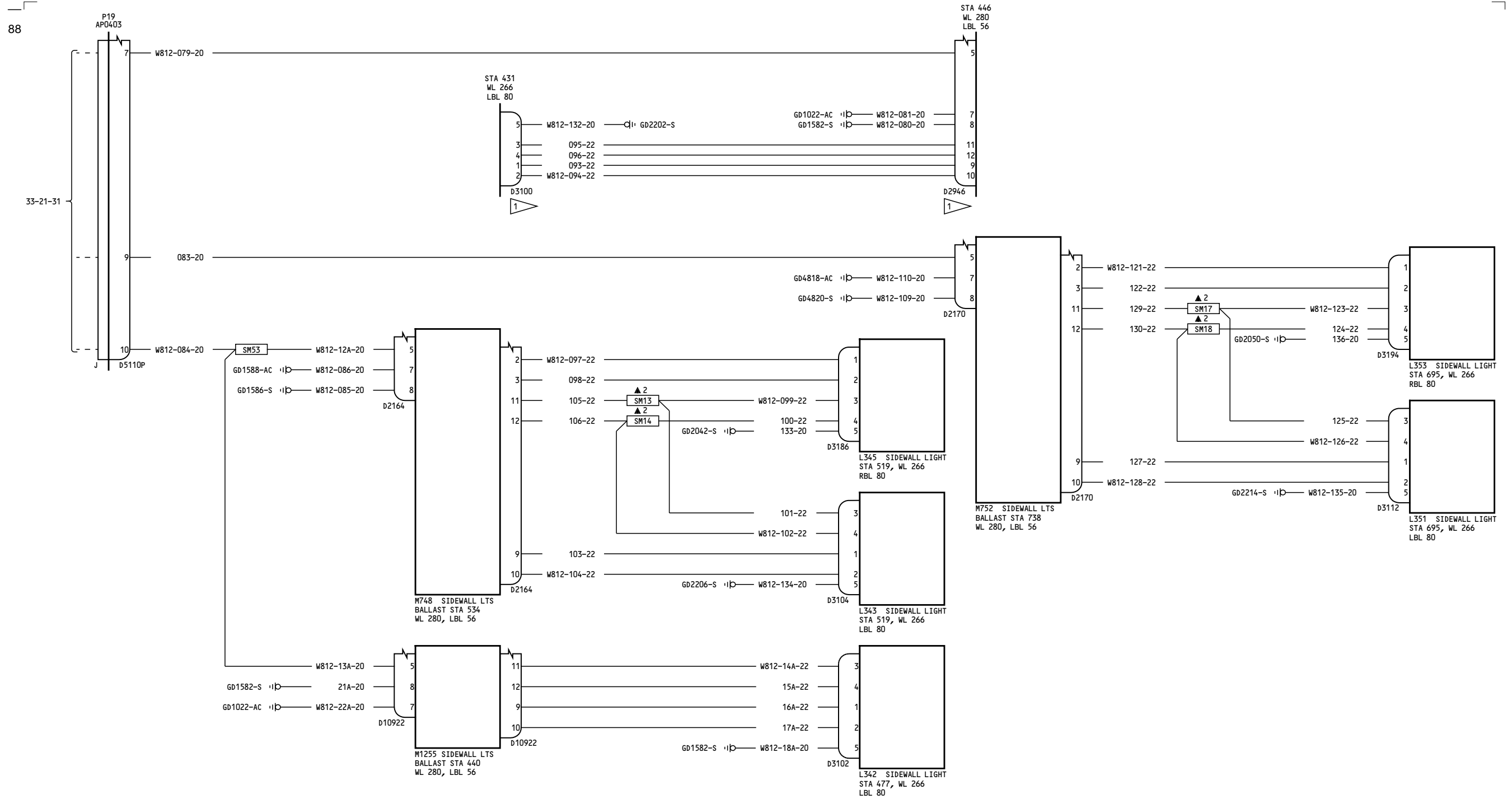
33-21-32

Page 5A
Sheet 2
Jan 21/2005

D280T132

33-21-32

Page 5A
Sheet 2
Jan 21/2005



NOTES:
 1 NO CONNECTION CONNECTOR CAPPED

164-165, 167

FORWARD SIDEWALL WASH LIGHTS & LEFT BALLASTS

D280T132

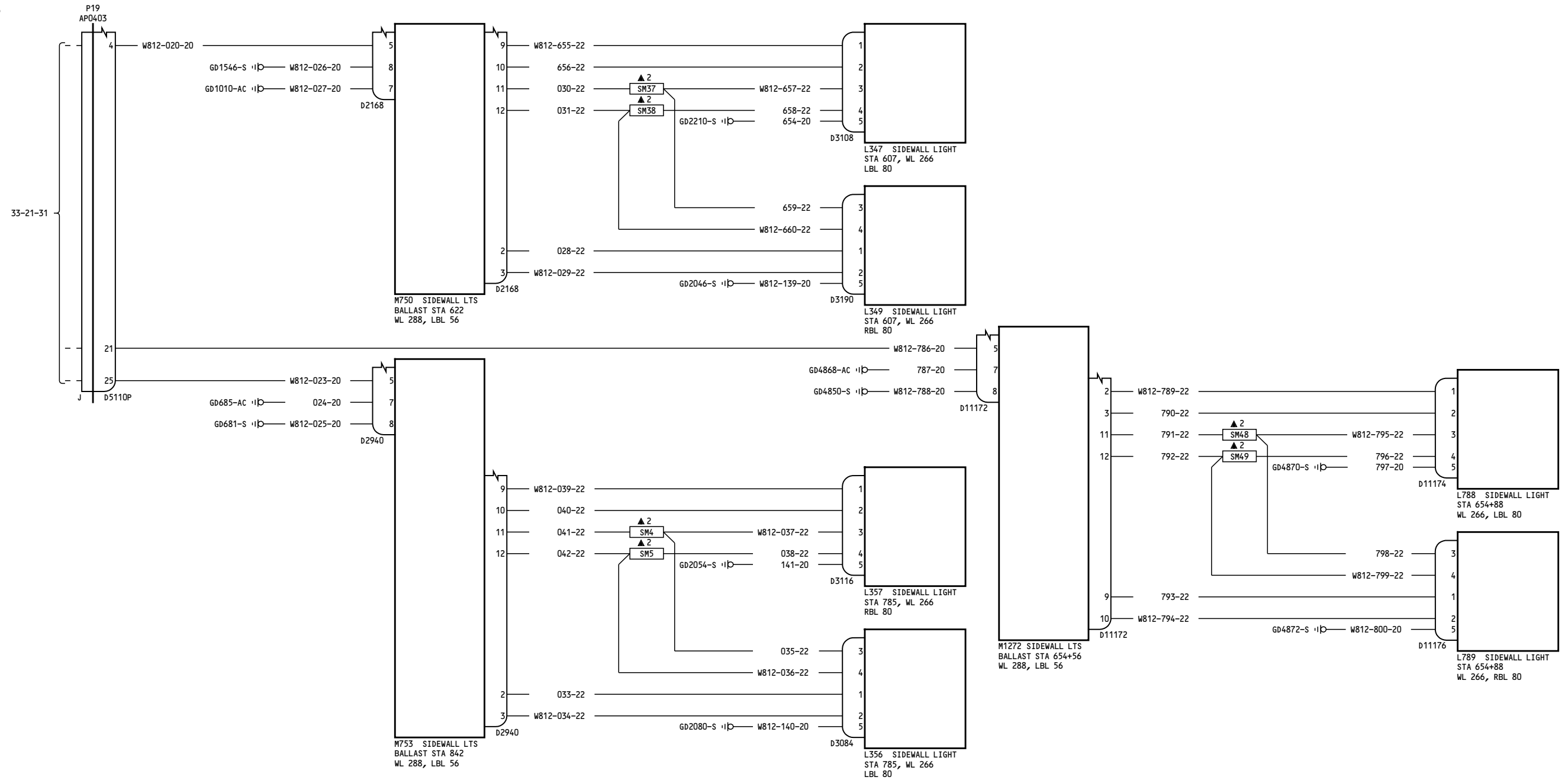
33-21-32

Page 6A
 Sheet 1
 Jan 21/2005

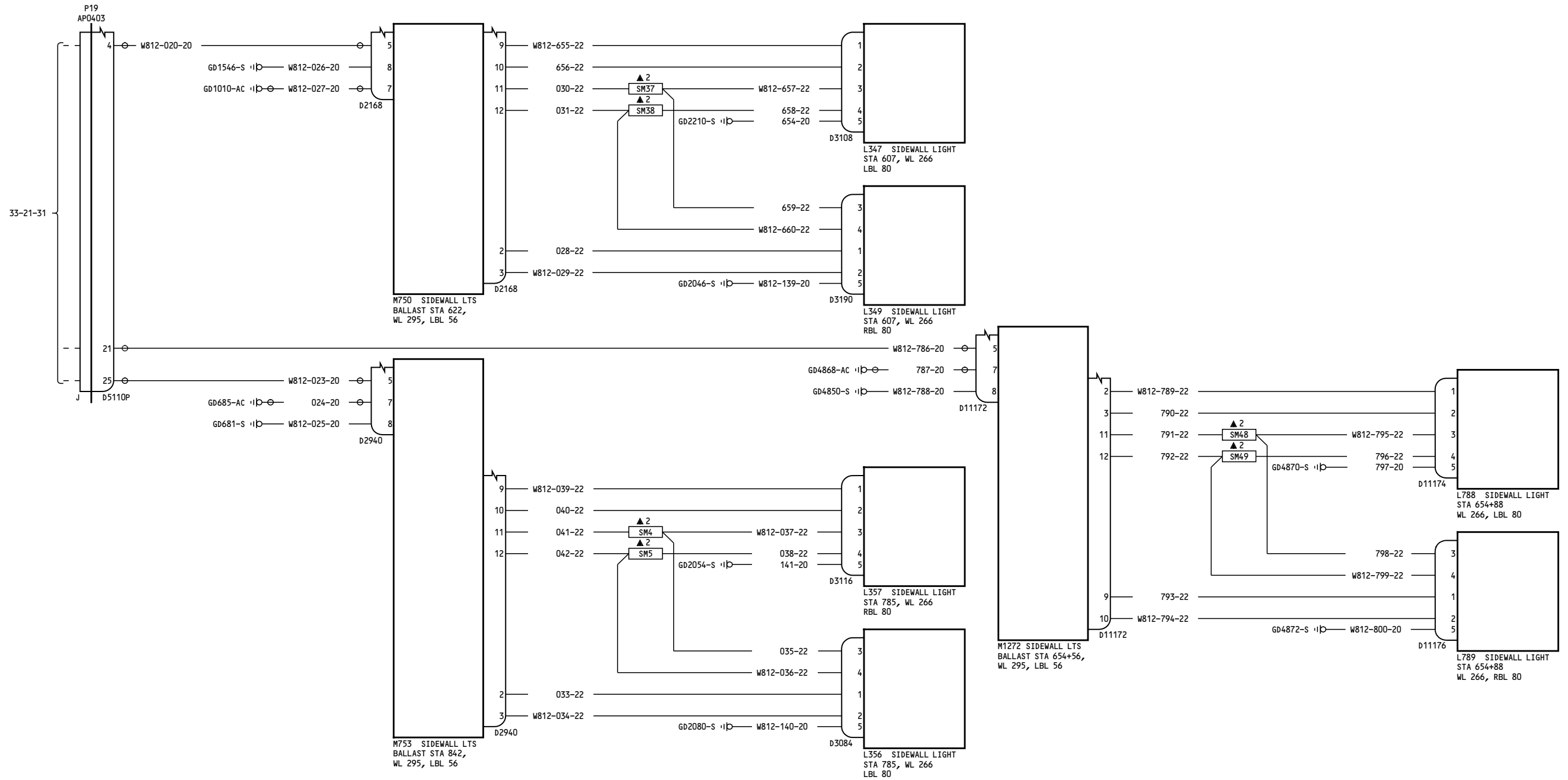
Incorporates
 MTO 330348

33-21-32

Page 6A
 Sheet 1
 Jan 21/2005



82



166

FORWARD SIDEWALL WASH LIGHTS & LEFT BALLASTS

33-21-32

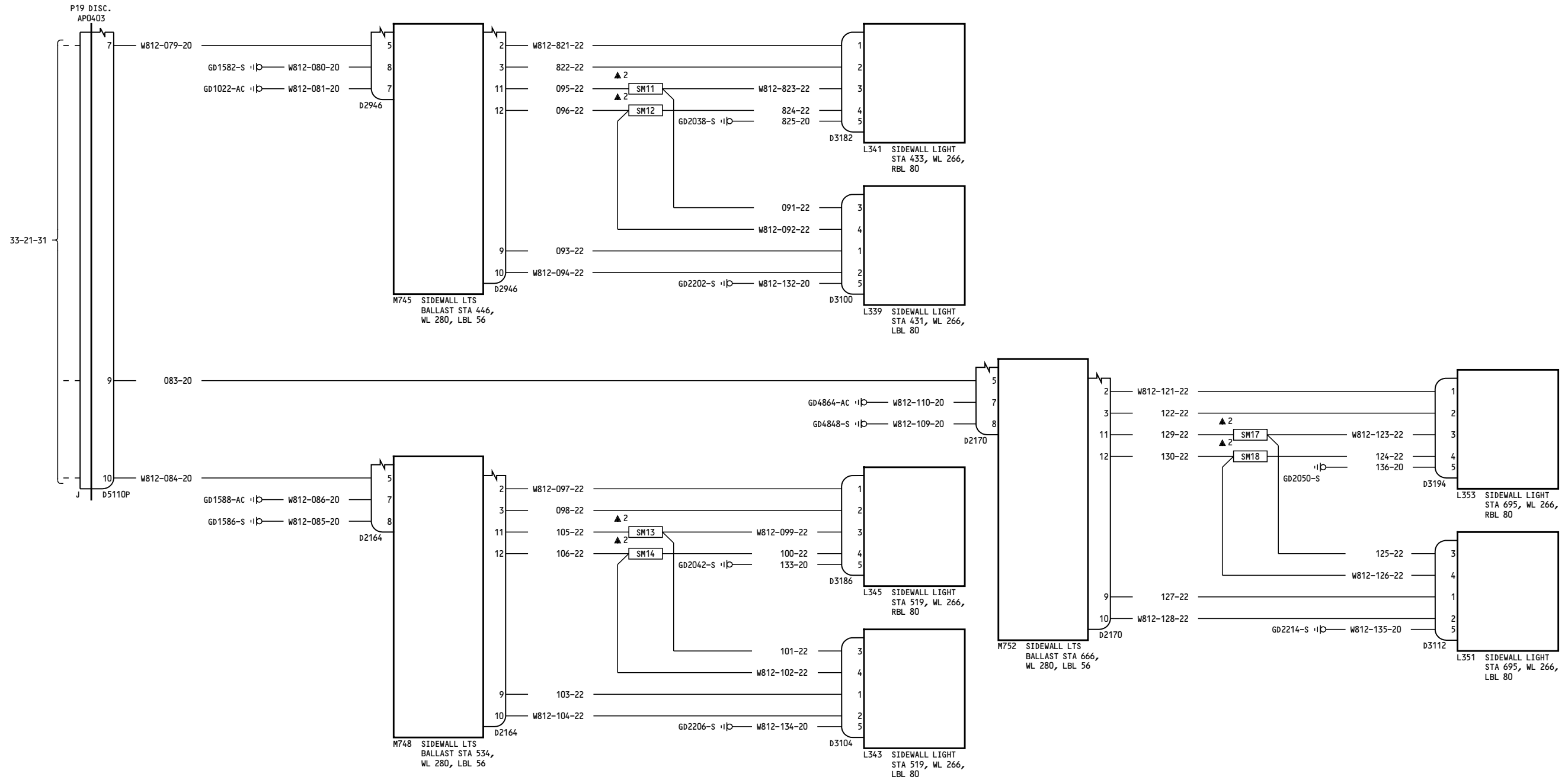
Page 7A
Sheet 2
Jan 21/2005

D280T132

33-21-32

Page 7A
Sheet 2
Jan 21/2005

-A
19



275-278

FORWARD SIDEWALL WASH LIGHTS & LEFT BALLASTS

33-21-32

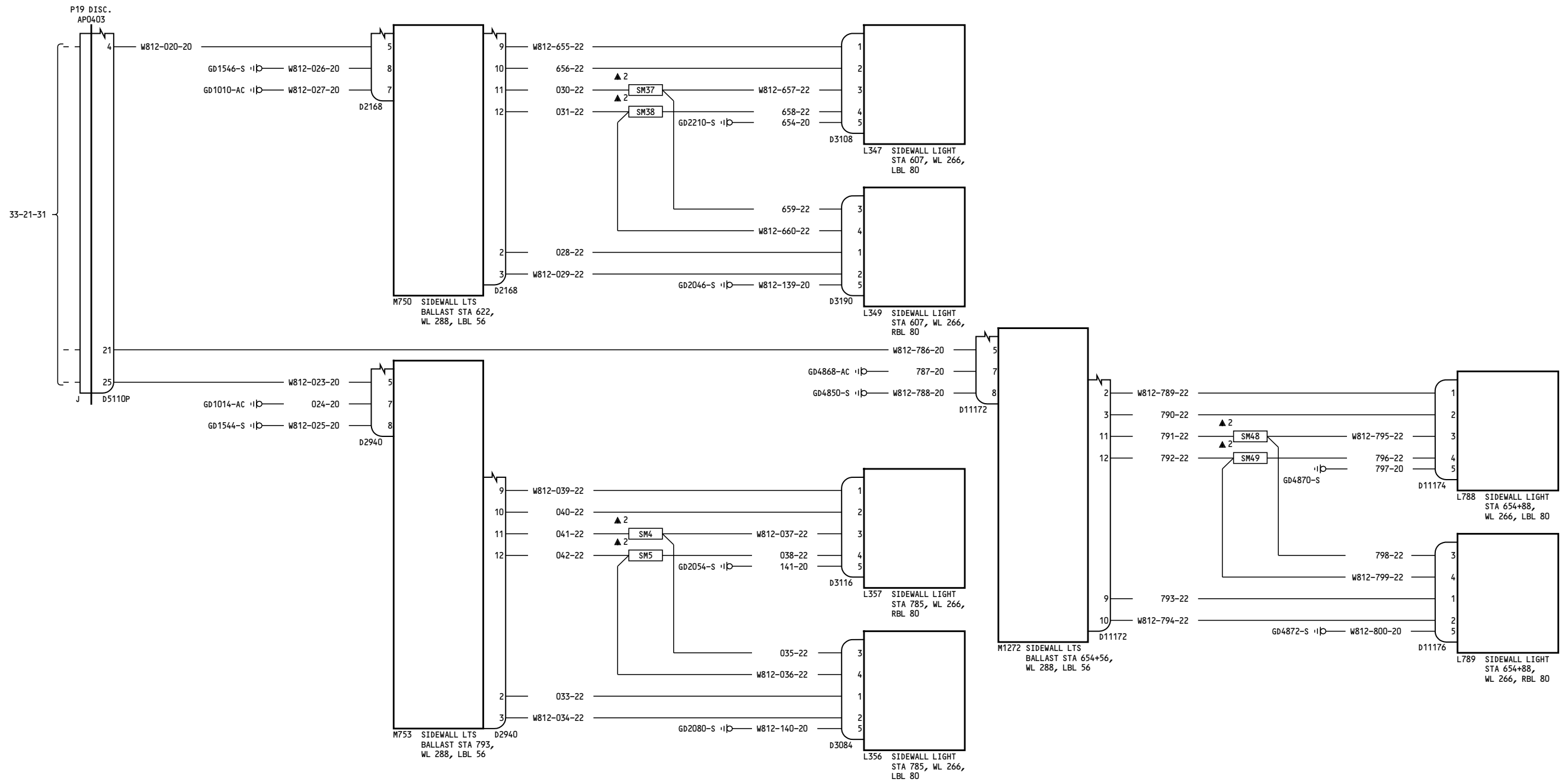
Page 8
Sheet 1
Jan 21/2005

D280T132

33-21-32

Page 8
Sheet 1
Jan 21/2005

-A
19



275-278

FORWARD SIDEWALL WASH LIGHTS & LEFT BALLASTS

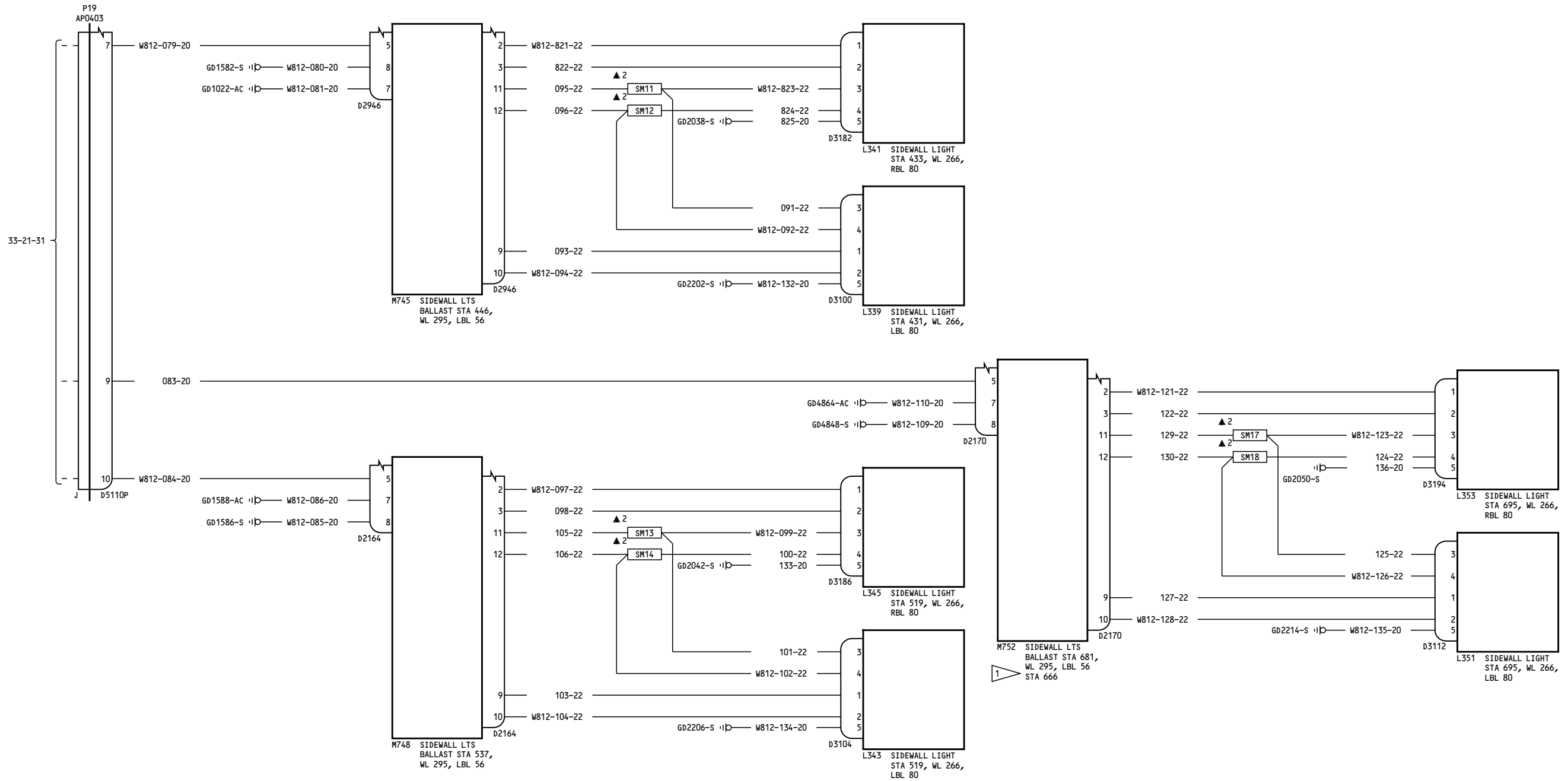
33-21-32

Page 8
Sheet 2
Jan 21/2005

D280T132

33-21-32

Page 8
Sheet 2
Jan 21/2005



NOTES:
1 STA LOCATION FOR ALTERNATE LOCATION

280-299

FORWARD SIDEWALL WASH LIGHTS & LEFT BALLASTS

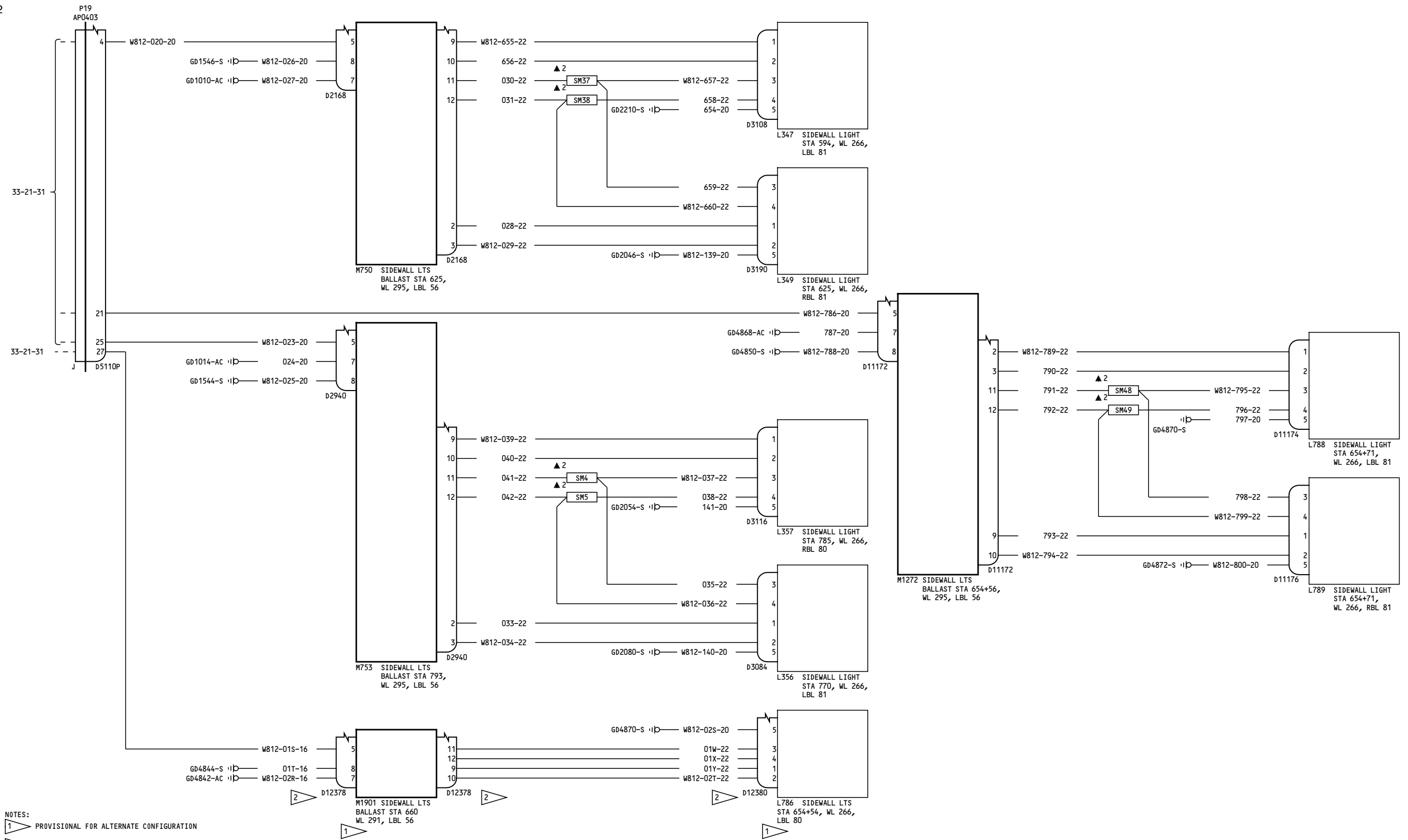
D280T132

33-21-32

Page 9
Sheet 1
Jan 21/2005

33-21-32

Page 9
Sheet 1
Jan 21/2005



NOTES:
 1 PROVISIONAL FOR ALTERNATE CONFIGURATION
 2 CAP AND STOW CONNECTOR FOR DELIVERY CONFIGURATION

280-299

FORWARD SIDEWALL WASH LIGHTS & LEFT BALLASTS

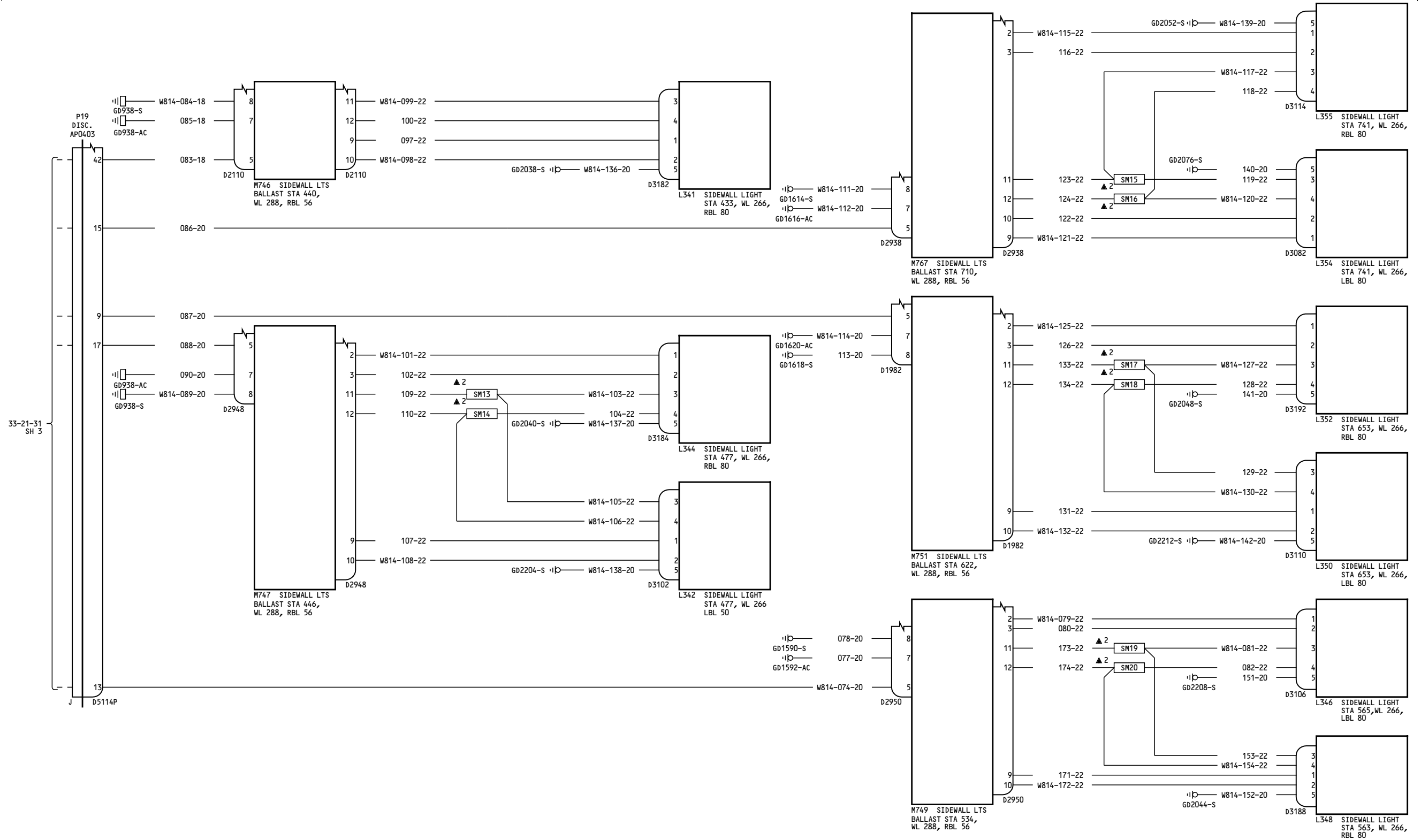
D280T132

33-21-32

Page 9
 Sheet 2
 Jan 21/2005

33-21-32

Page 9
 Sheet 2
 Jan 21/2005



050-051

FORWARD SIDEWALL WASH LIGHTS & RIGHT BALLASTS

33-21-33

Page 1A

D280T132

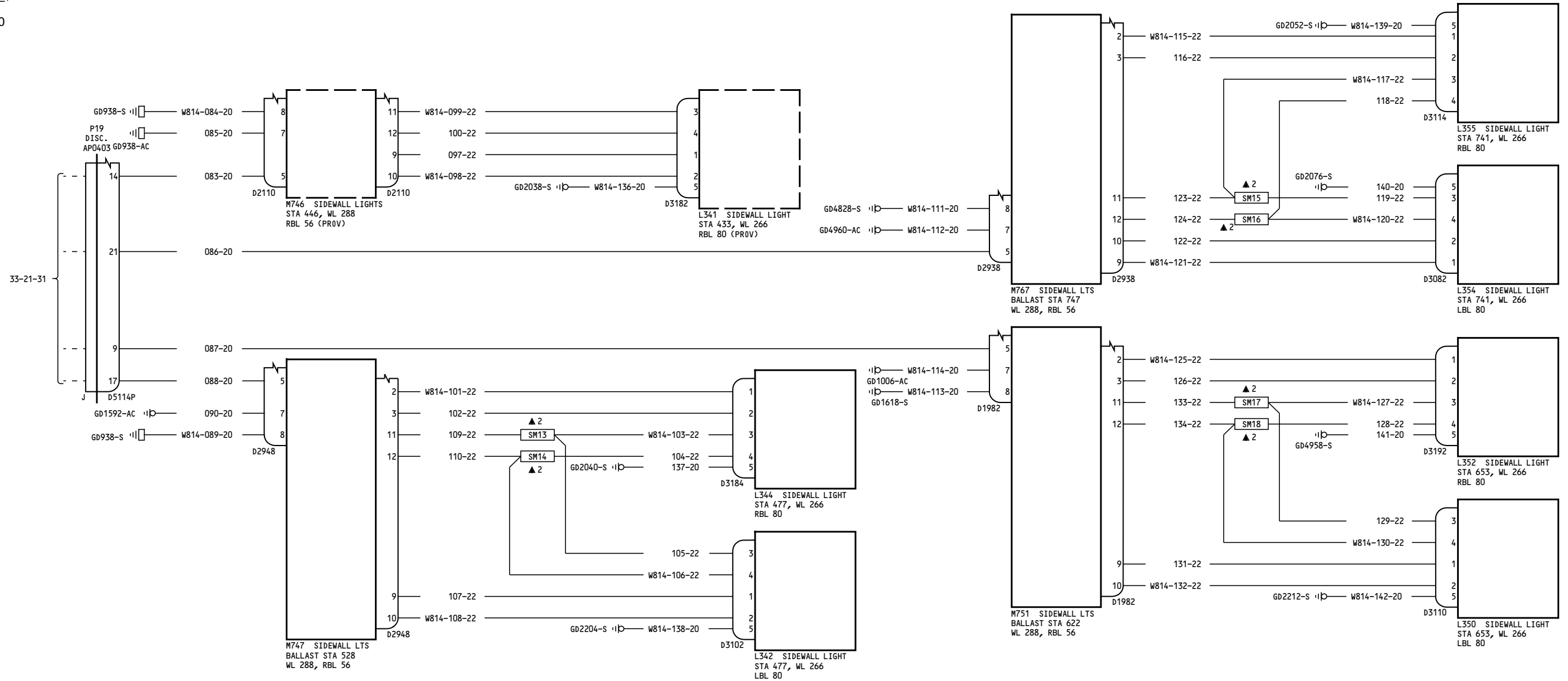
Jan 21/2005

Incorporates MTO 230540

33-21-33

Page 1A

Jan 21/2005



150, 153-154, 157

FORWARD SIDEWALL WASH LIGHTS & RIGHT BALLASTS

33-21-33

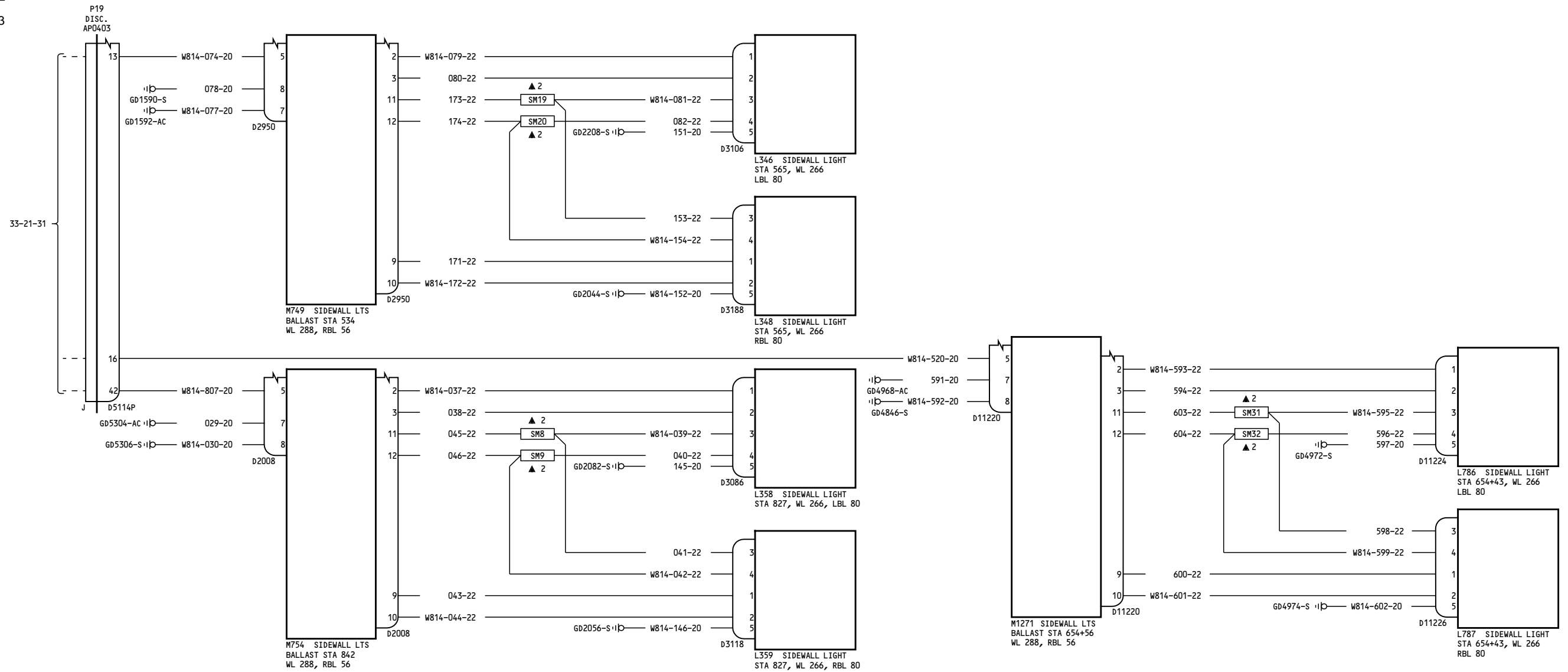
Page 2A
Sheet 1
Jan 21/2005

D280T132

Incorporates
MTO 330342B

33-21-33

Page 2A
Sheet 1
Jan 21/2005



150, 153-154, 157

FORWARD SIDEWALL WASH LIGHTS & RIGHT BALLASTS

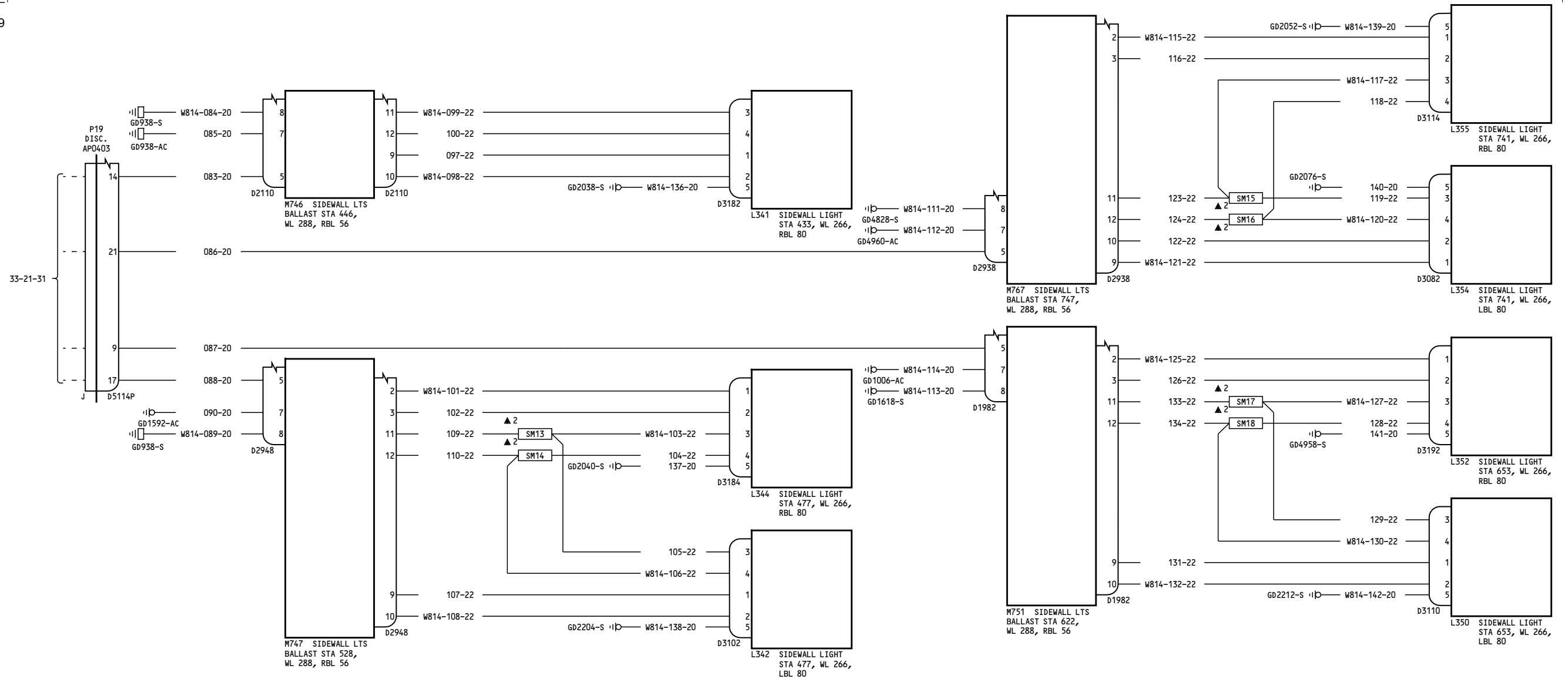
D280T132

33-21-33

Page 2A
Sheet 2
Jan 21/2005

33-21-33

Page 2A
Sheet 2
Jan 21/2005



151-152

FORWARD SIDEWALL WASH LIGHTS & RIGHT BALLASTS

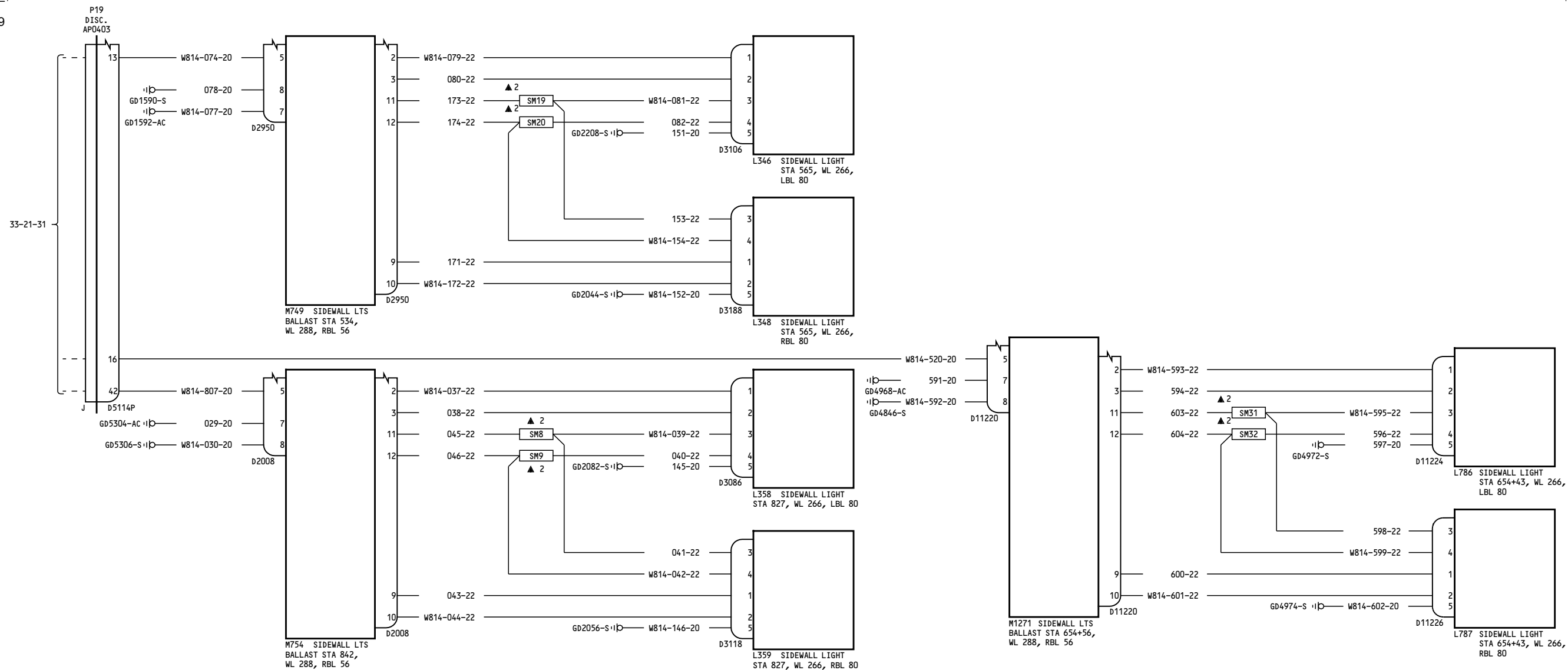
D280T132

33-21-33

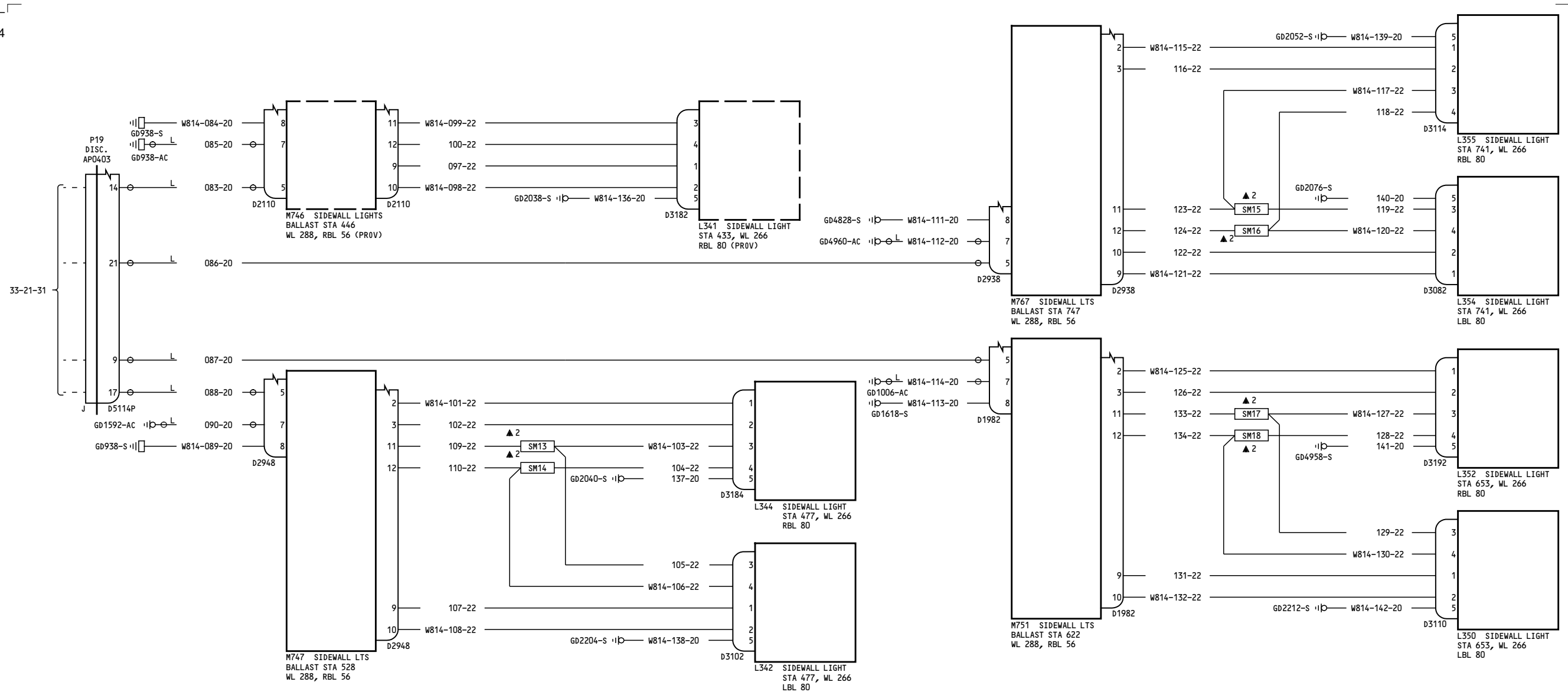
Page 3
Sheet 1
Jan 21/2005

33-21-33

Page 3
Sheet 1
Jan 21/2005



BOEING PROPRIETARY - Copyright © - Unpublished Work - See title page for details.



| | |
|---------|---------------------------------------------------------------------------------------------------------------|
| 155-156 | <p align="center">FORWARD SIDEWALL WASH LIGHTS & RIGHT BALLASTS</p> <p align="center">D280T132</p> |
|---------|---------------------------------------------------------------------------------------------------------------|

33-21-33

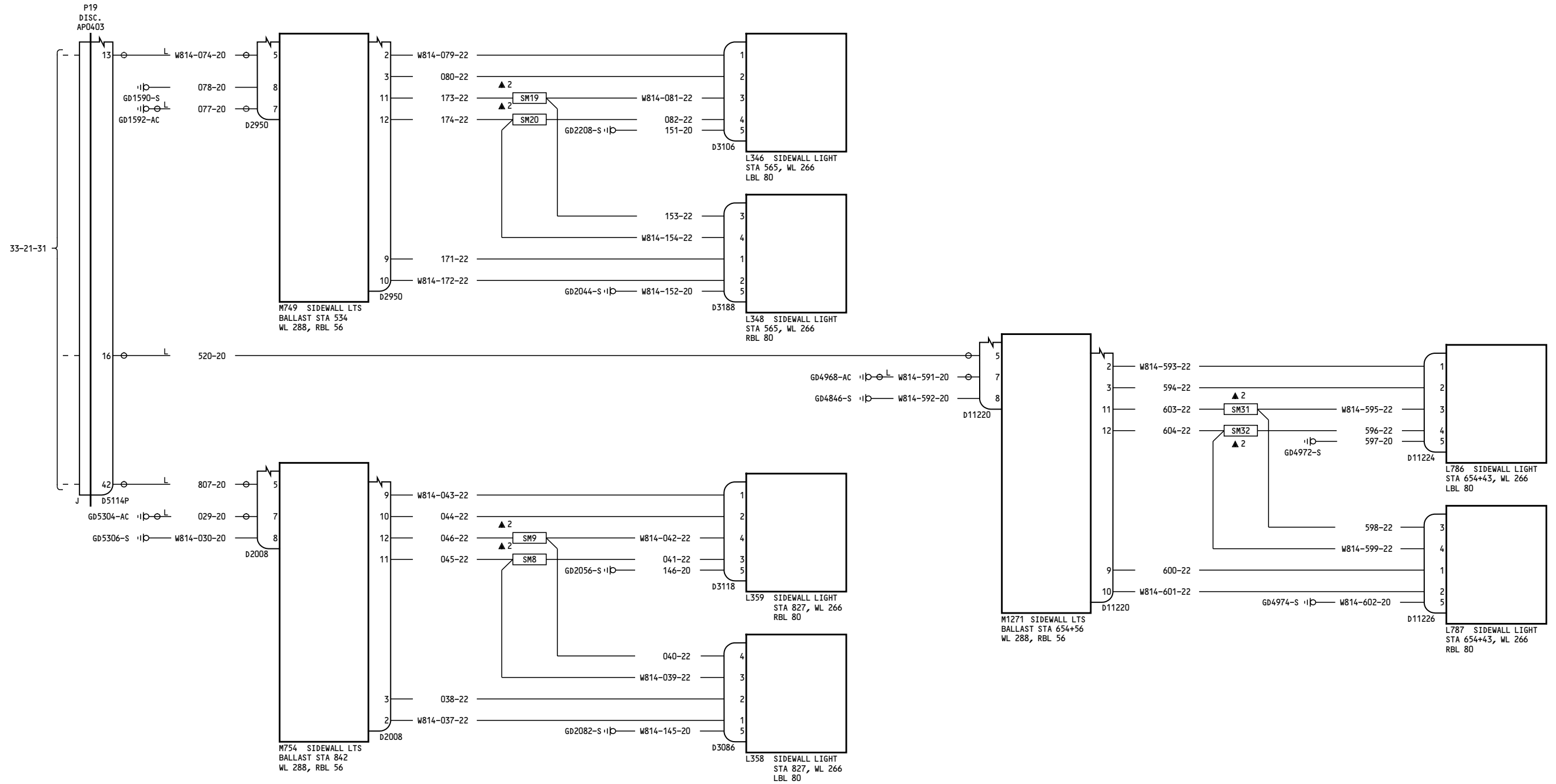
Page 4A
Sheet 1
Jan 21/2005

Incorporates
MTO 330342B

33-21-33

Page 4A
Sheet 1
Jan 21/2005

94



155-156

FORWARD SIDEWALL WASH LIGHTS & RIGHT BALLASTS

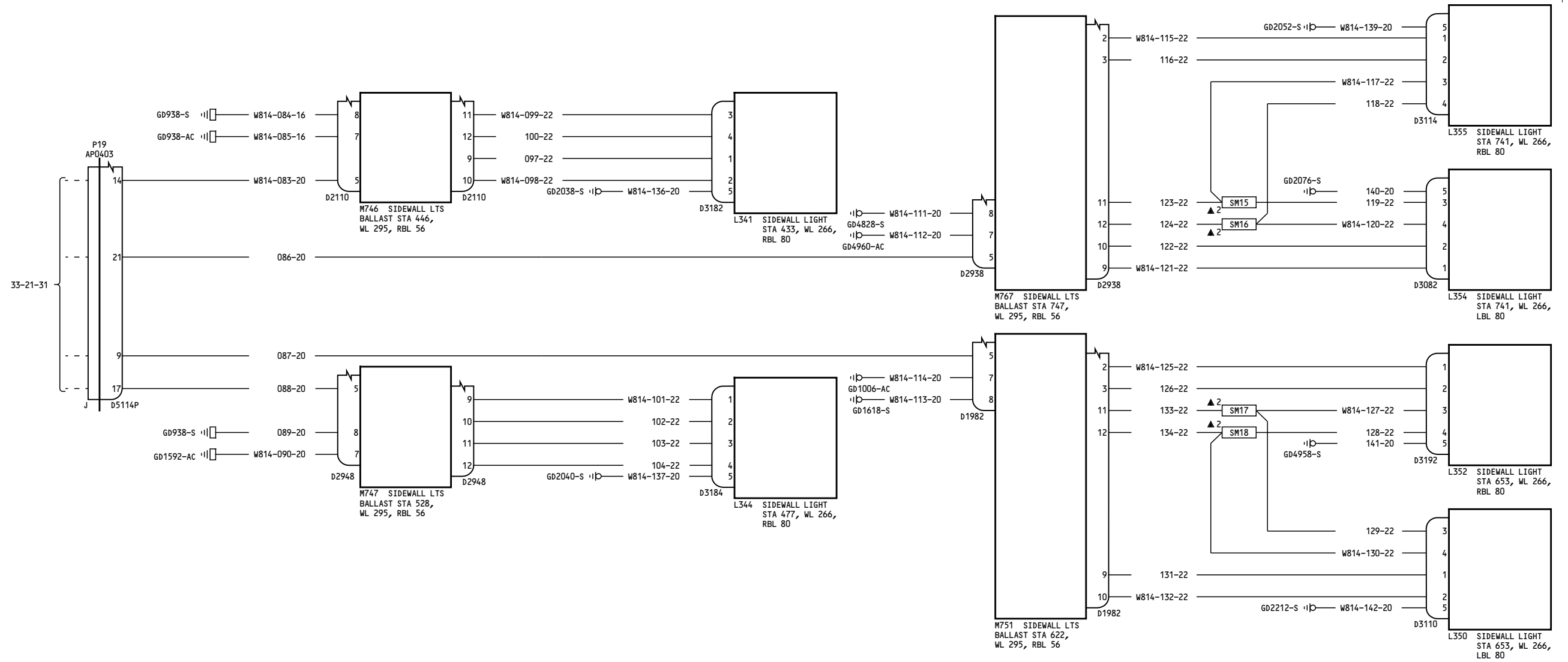
33-21-33

Page 4A
Sheet 2
Jan 21/2005

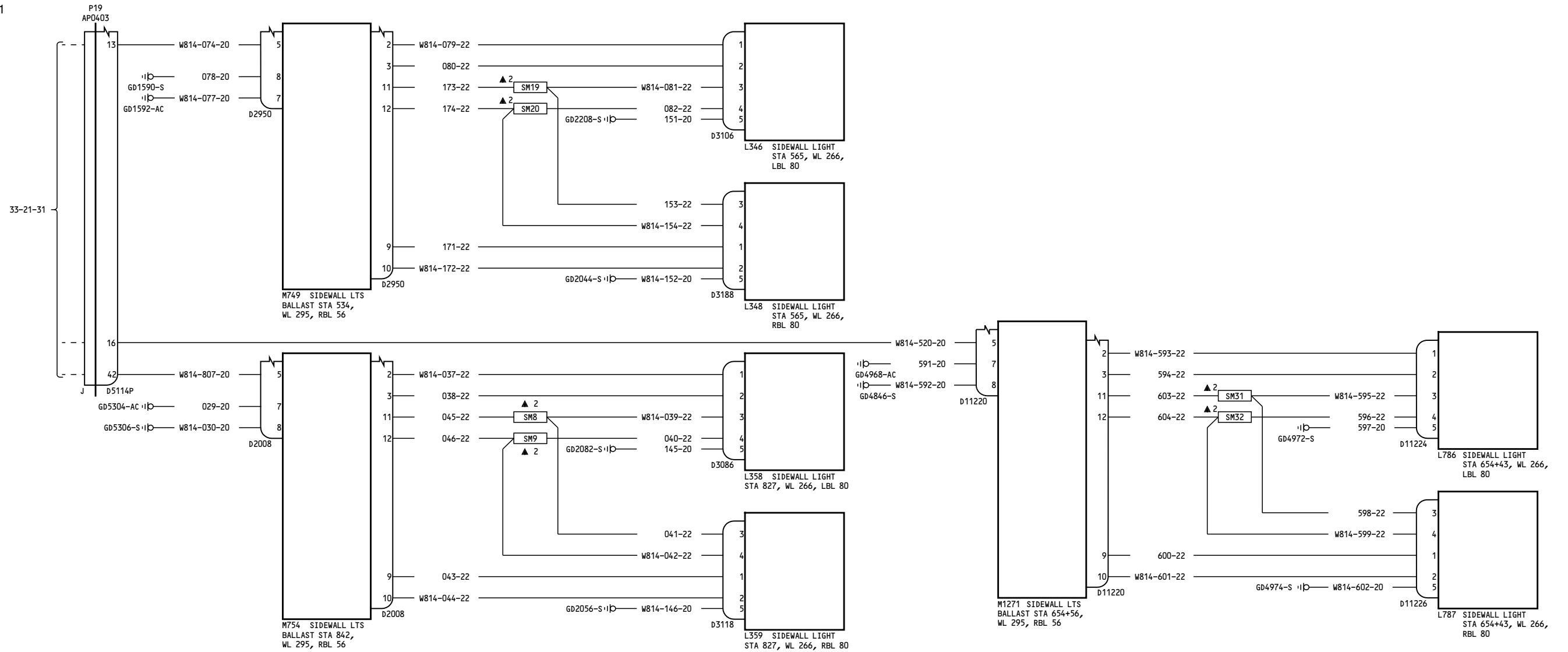
D280T132

33-21-33

Page 4A
Sheet 2
Jan 21/2005



91



162-163

FORWARD SIDEWALL WASH LIGHTS & RIGHT BALLASTS

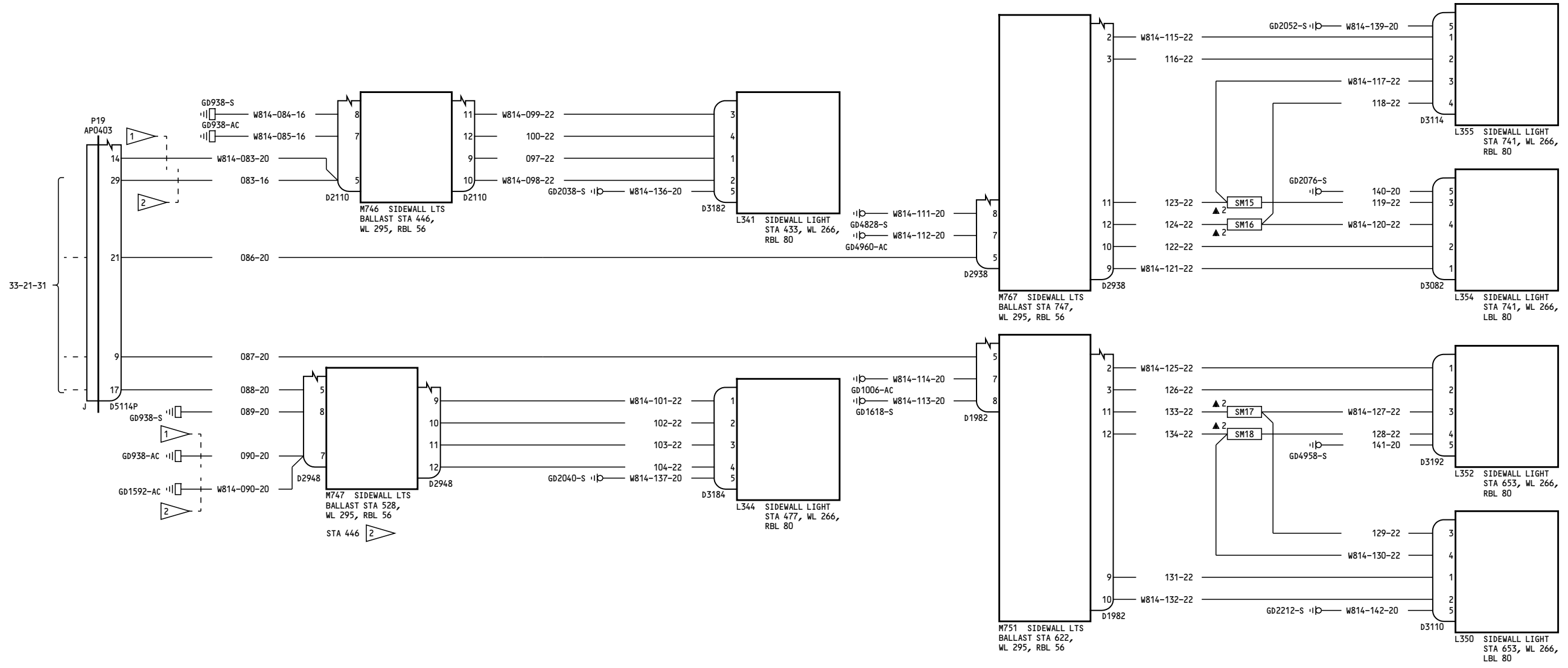
D280T132

33-21-33

Page 5A
Sheet 2
Jan 21/2005

33-21-33

Page 5A
Sheet 2
Jan 21/2005



- NOTES:
- 1 VN165-VN166 (162-165)
 - 2 VN168-VN170

| | |
|------------------|----------------------------------------------------------|
| 164-165, 167-199 | FORWARD SIDEWALL WASH LIGHTS & RIGHT BALLASTS |
| D280T132 | |

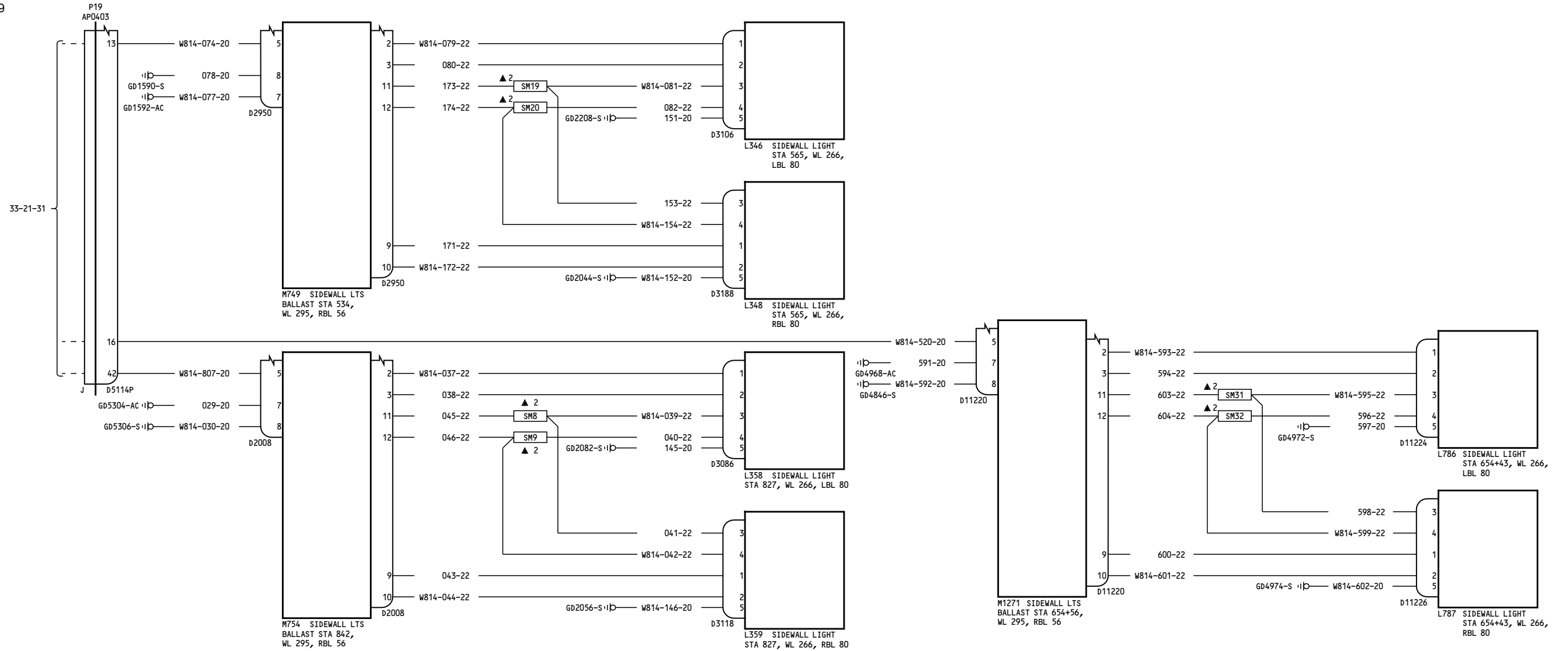
33-21-33

Page 6
Sheet 1
Jan 21/2005

33-21-33

Page 6
Sheet 1
Jan 21/2005

59



164-165, 167-199

FORWARD SIDEWALL WASH LIGHTS & RIGHT BALLASTS

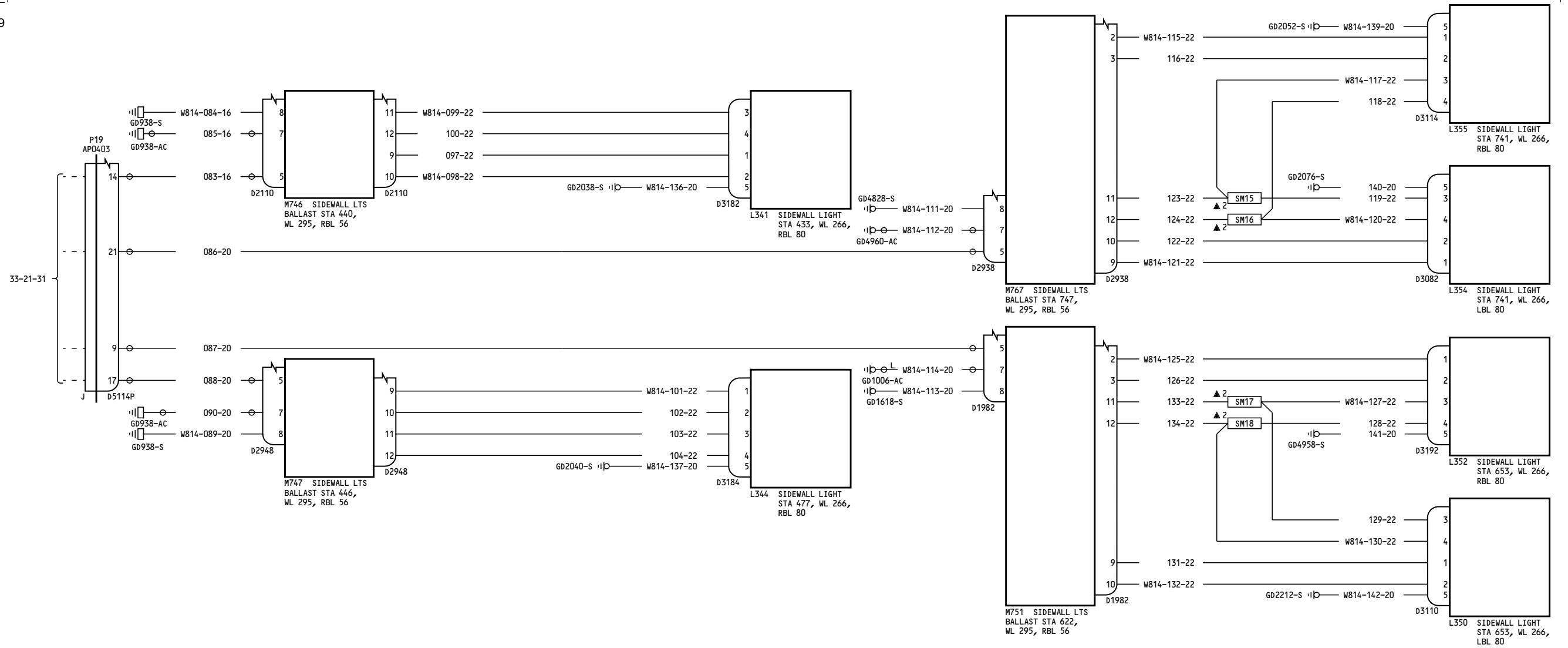
D280T132

33-21-33

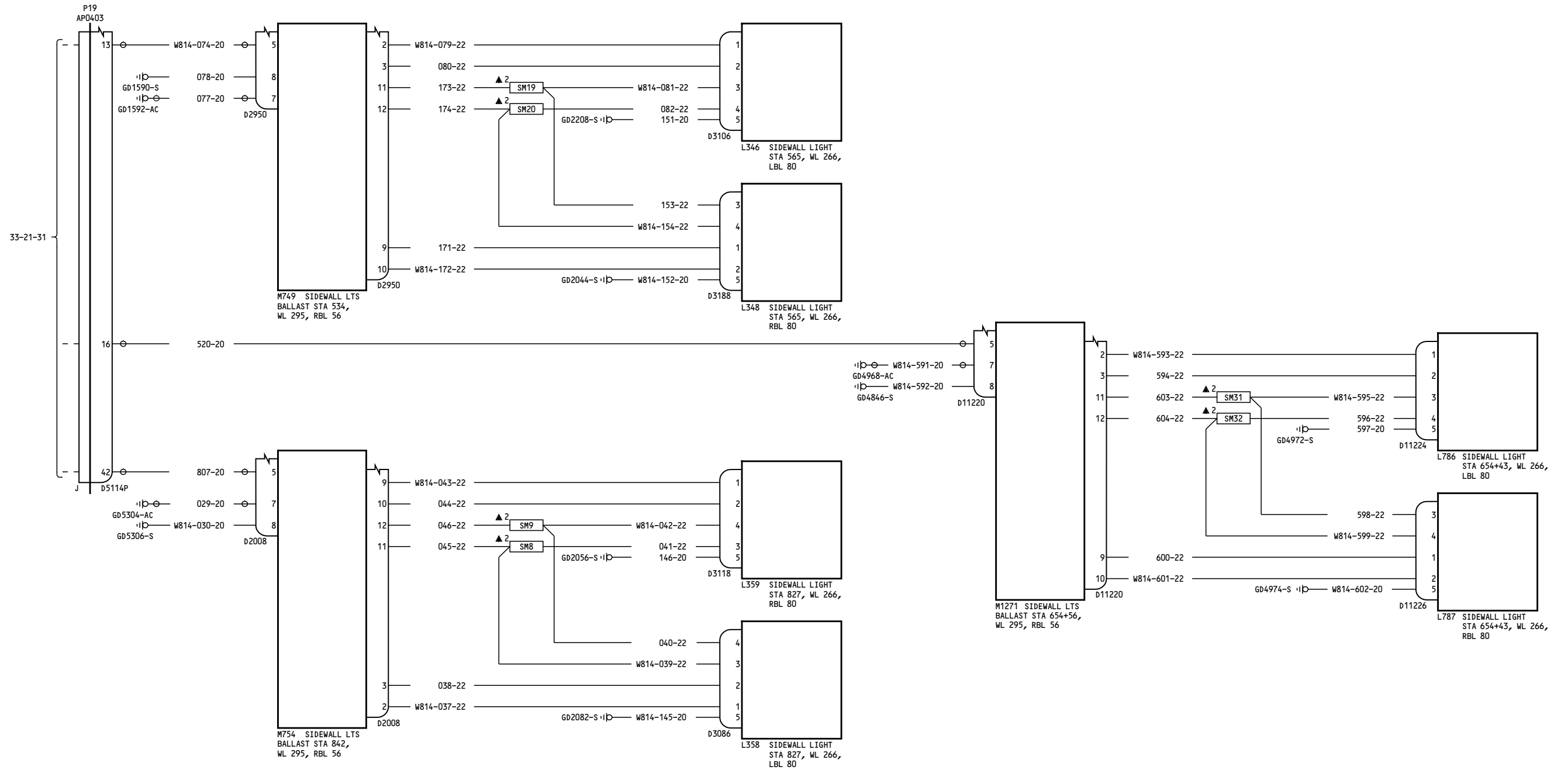
Page 6
Sheet 2
Jan 21/2005

33-21-33

Page 6
Sheet 2
Jan 21/2005



39



166

FORWARD SIDEWALL WASH LIGHTS & RIGHT BALLASTS

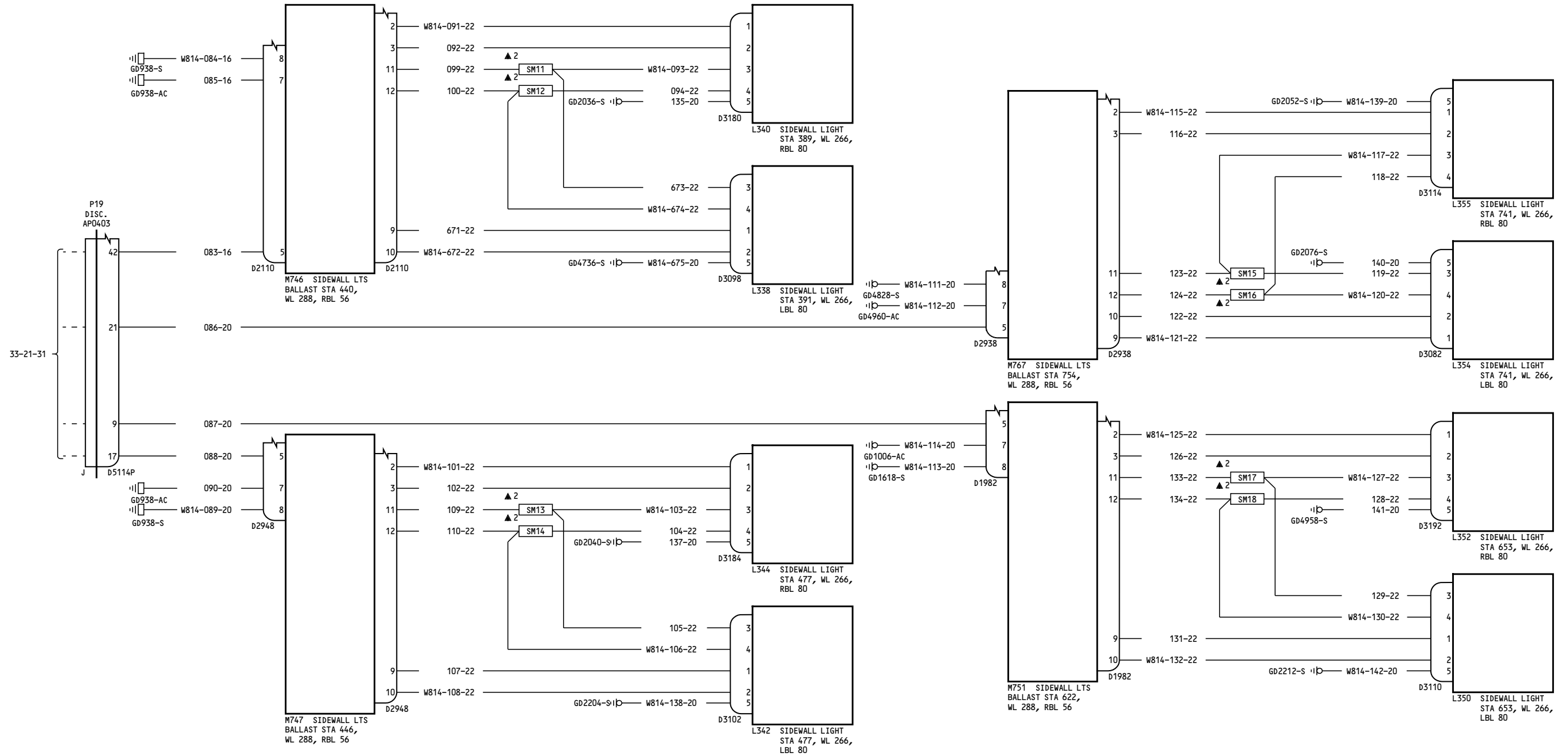
33-21-33

Page 7
Sheet 2
Jan 21/2005

D280T132

33-21-33

Page 7
Sheet 2
Jan 21/2005



275-278

FORWARD SIDEWALL WASH LIGHTS & RIGHT BALLASTS

33-21-33

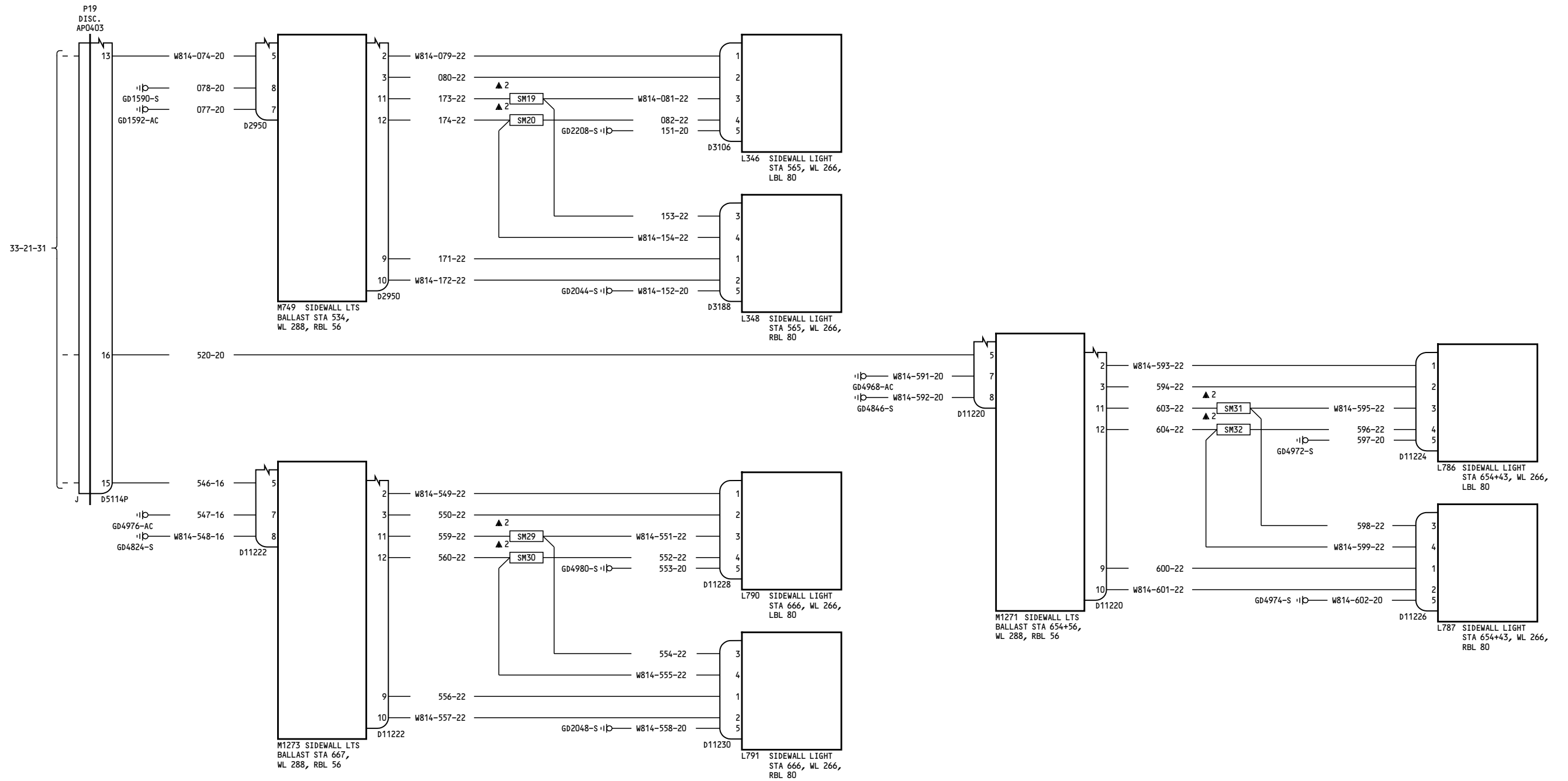
Page 8
Sheet 1
Jan 21/2005

D280T132

33-21-33

Page 8
Sheet 1
Jan 21/2005

20



275-278

FORWARD SIDEWALL WASH LIGHTS & RIGHT BALLASTS

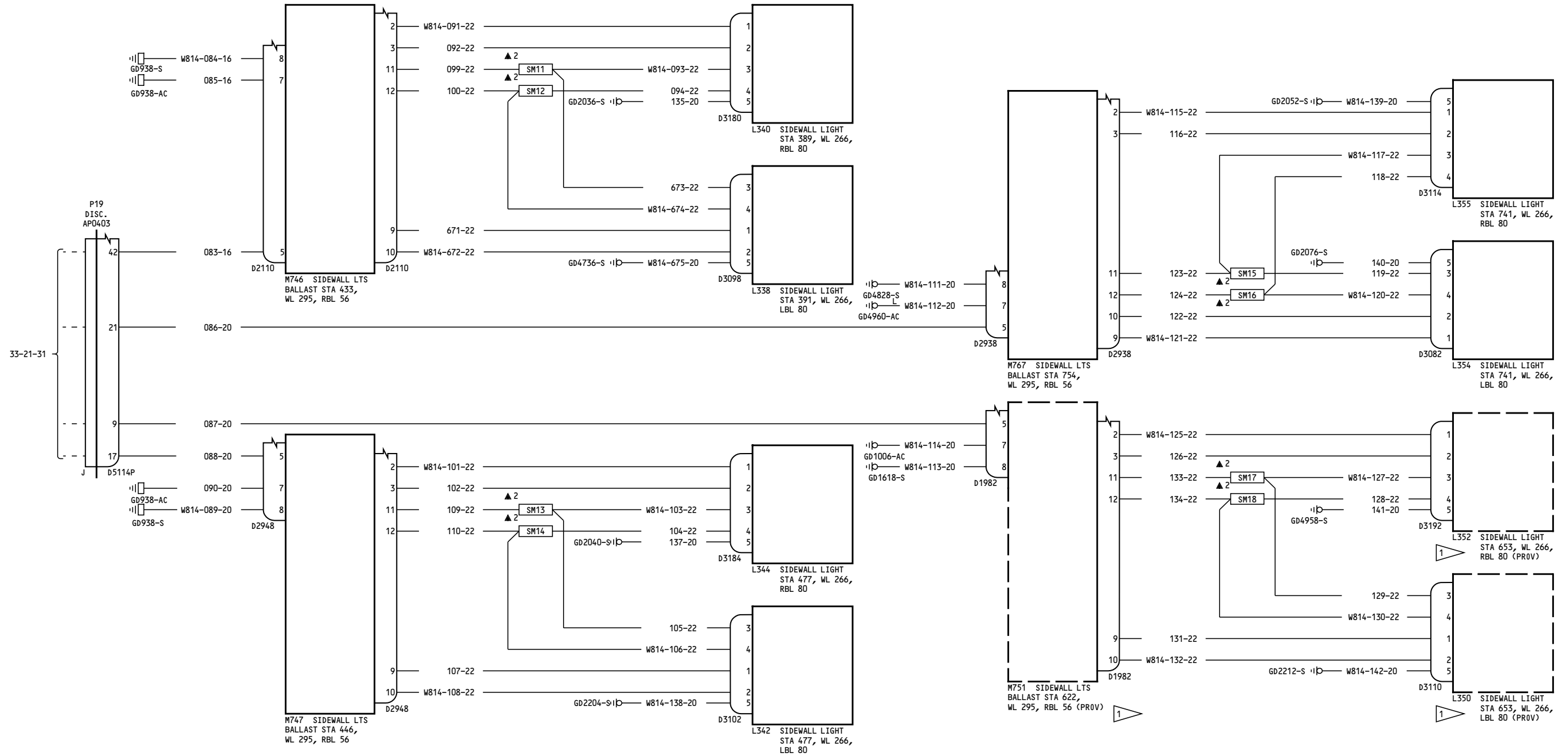
33-21-33

Page 8
Sheet 2
Jan 21/2005

D280T132

33-21-33

Page 8
Sheet 2
Jan 21/2005



NOTES:
 1 INSTALLED FOR ALTERNATE CONFIGURATON

| | |
|---------|---------------------------------------------------------------------------------------------------------------|
| 280-299 | <p align="center">FORWARD SIDEWALL WASH LIGHTS & RIGHT BALLASTS</p> <p align="center">D280T132</p> |
|---------|---------------------------------------------------------------------------------------------------------------|

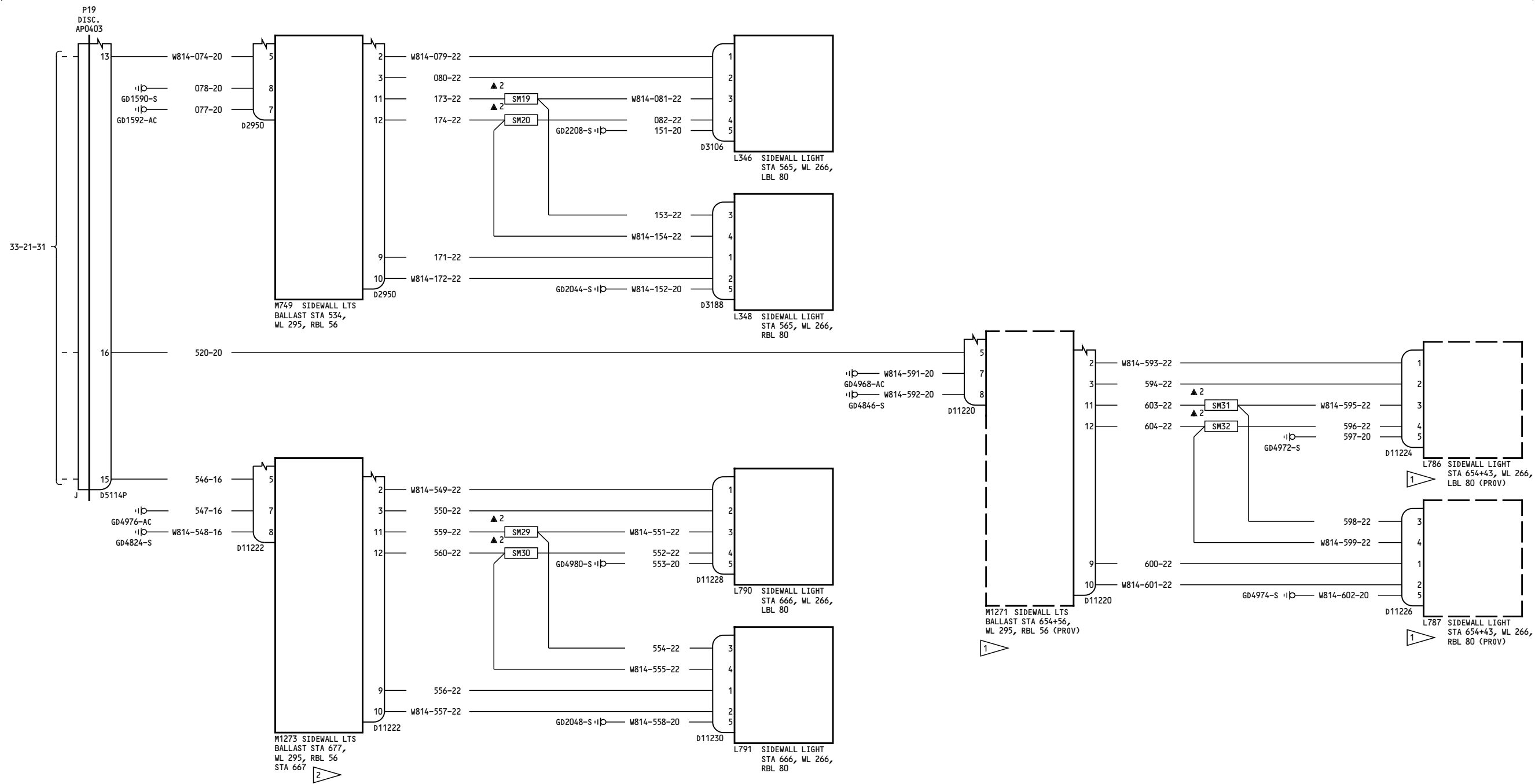
33-21-33

Page 9
 Sheet 1
 Jan 21/2005

33-21-33

Page 9
 Sheet 1
 Jan 21/2005

60



- NOTES:
- 1 INSTALLED FOR ALTERNATE CONFIGURATION
 - 2 STA LOCATION FOR ALTERNATE CONFIGURATION

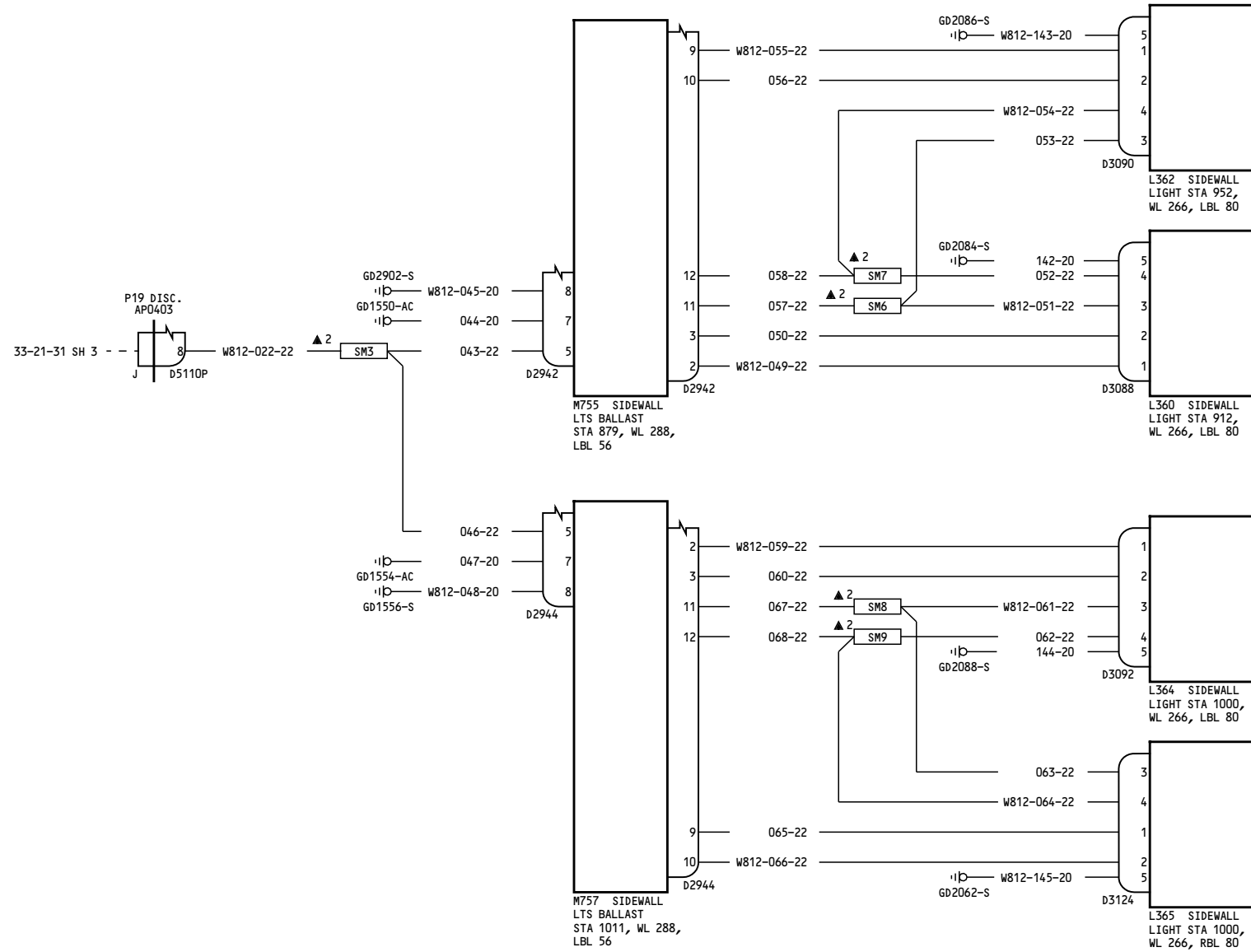
| | |
|---------|---------------------------------------------------------------------------------------------------------------|
| 280-299 | <p align="center">FORWARD SIDEWALL WASH LIGHTS & RIGHT BALLASTS</p> <p align="center">D280T132</p> |
|---------|---------------------------------------------------------------------------------------------------------------|

33-21-33

Page 9
Sheet 2
Jan 21/2005

33-21-33

Page 9
Sheet 2
Jan 21/2005



050-099

AFT SIDEWALL WASH LIGHTS & LEFT BALLASTS

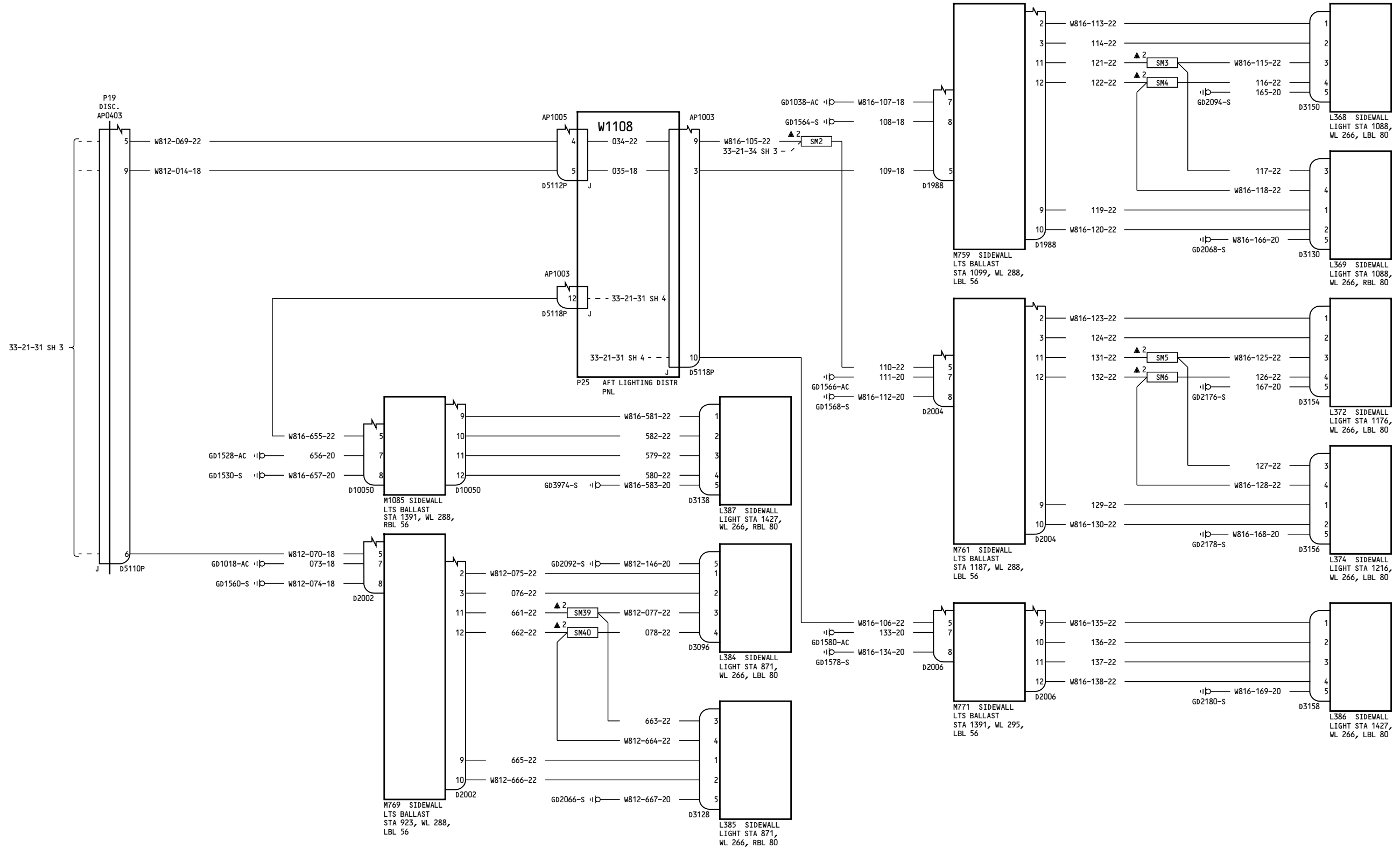
D280T132

33-21-34

Page 1
Sheet 1
Jan 21/2005

33-21-34

Page 1
Sheet 1
Jan 21/2005



050-099

AFT SIDEWALL WASH LIGHTS & LEFT BALLASTS

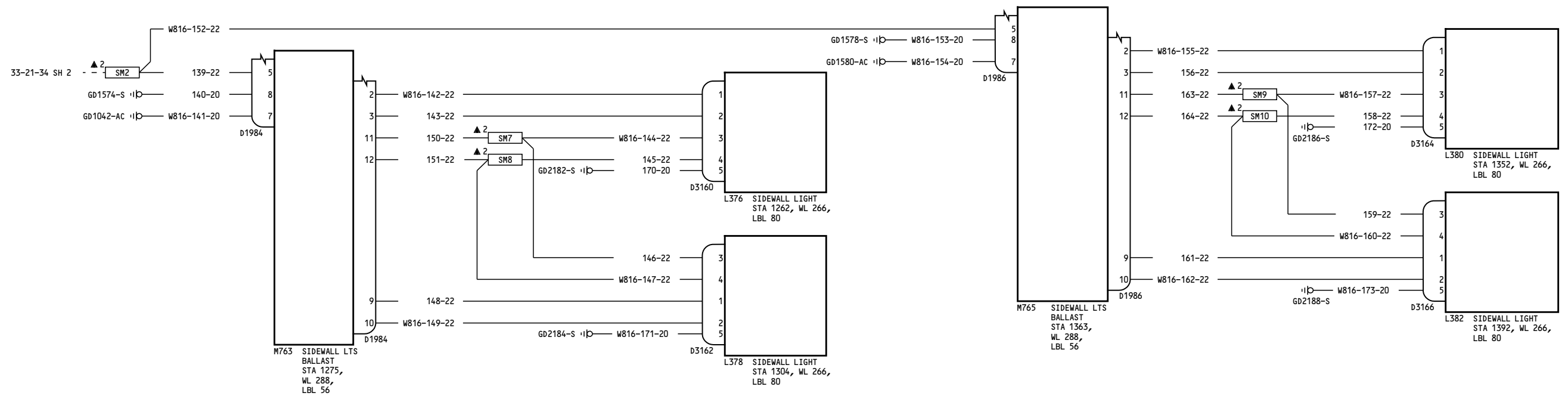
33-21-34

Page 1
Sheet 2
Jan 21/2005

D280T132

33-21-34

Page 1
Sheet 2
Jan 21/2005



050-099

AFT SIDEWALL WASH LIGHTS & LEFT BALLASTS

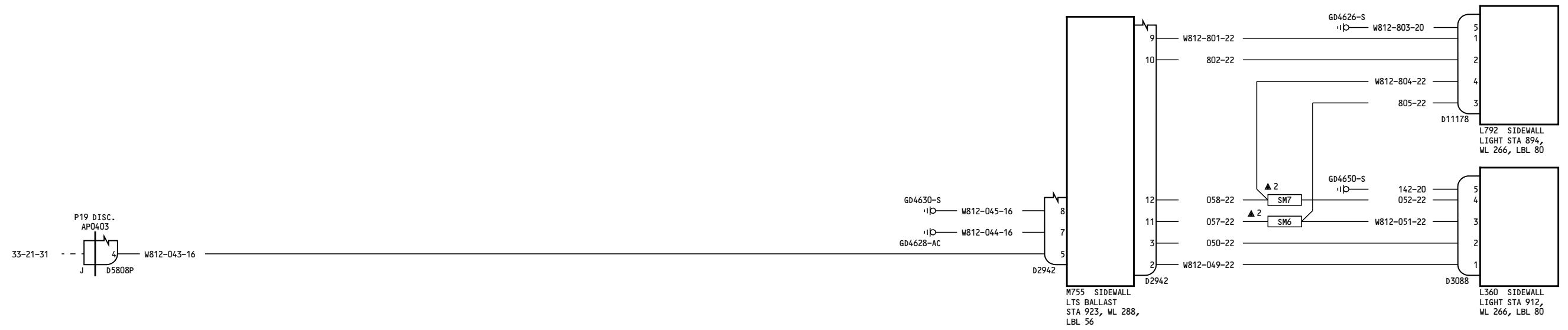
33-21-34

Page 1
Sheet 3
Jan 21/2005

D280T132

33-21-34

Page 1
Sheet 3
Jan 21/2005



150-154, 157

AFT SIDEWALL WASH LIGHTS & LEFT BALLASTS

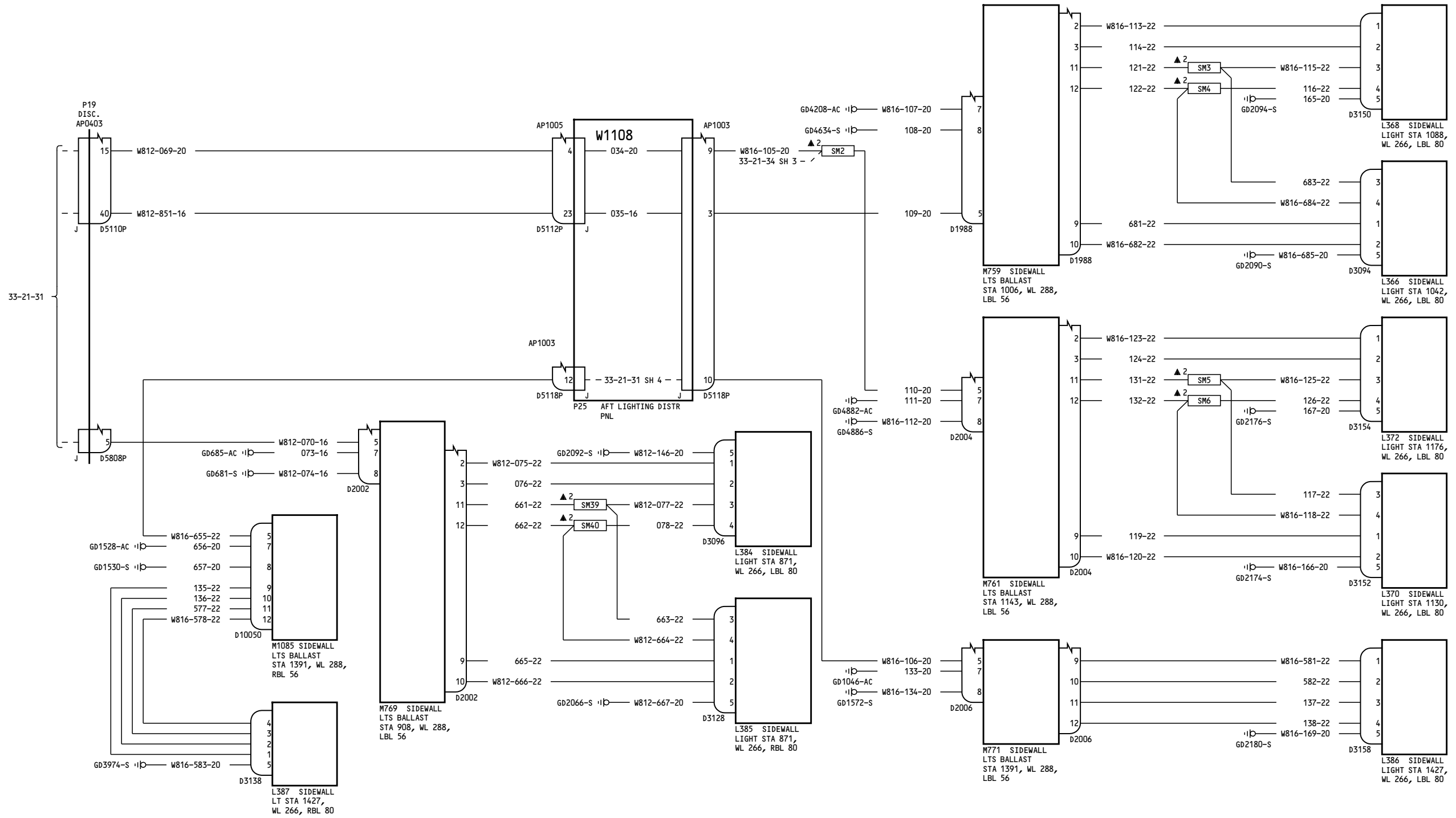
D280T132

33-21-34

Page 2A
Sheet 1
Jan 21/2005

33-21-34

Page 2A
Sheet 1
Jan 21/2005



150-154, 157

AFT SIDEWALL WASH LIGHTS & LEFT BALLASTS

D280T132

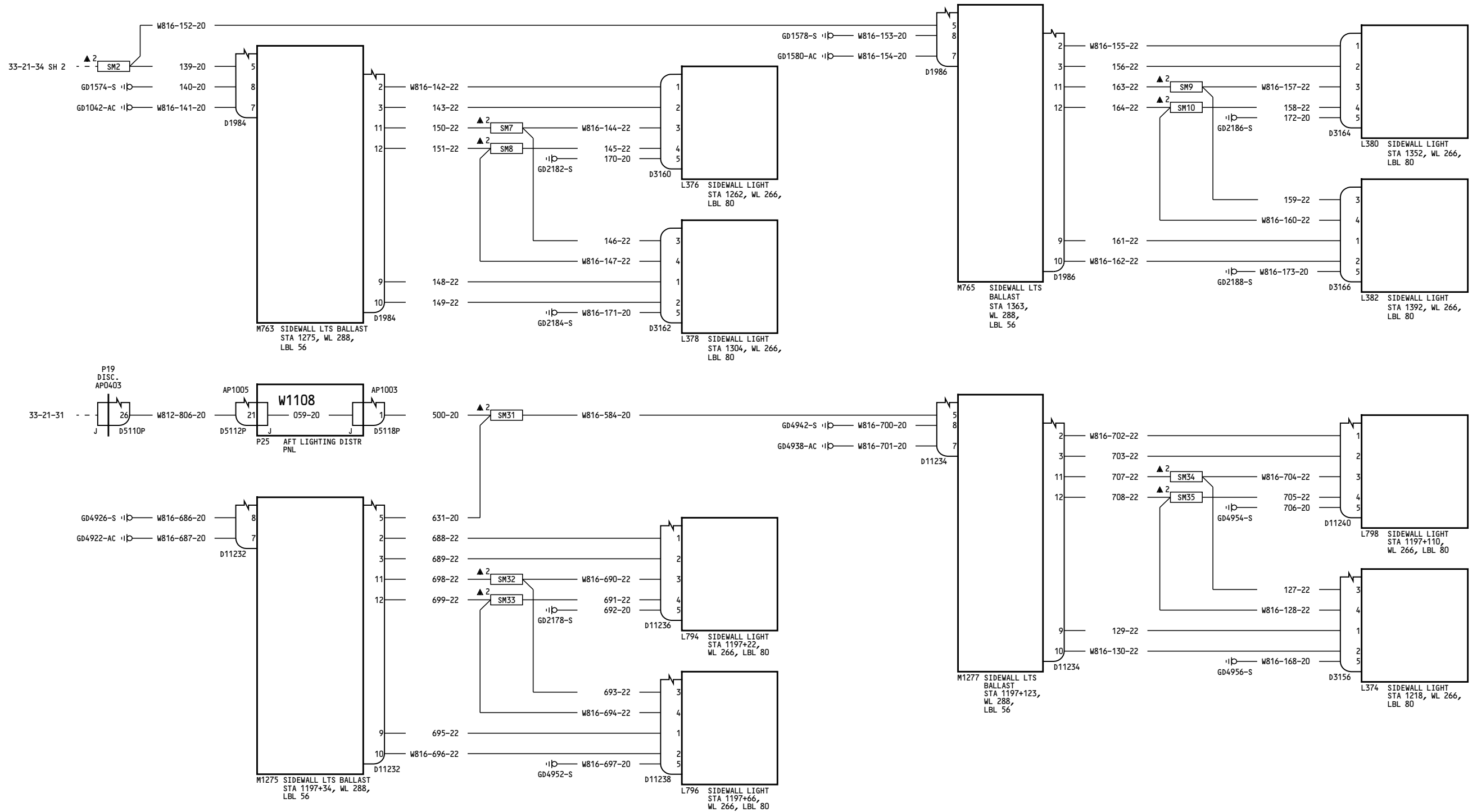
33-21-34

Page 2A
Sheet 2
Jan 21/2005

Incorporates
MTO 0330386

33-21-34

Page 2A
Sheet 2
Jan 21/2005



150-154, 157

AFT SIDEWALL WASH LIGHTS & LEFT BALLASTS

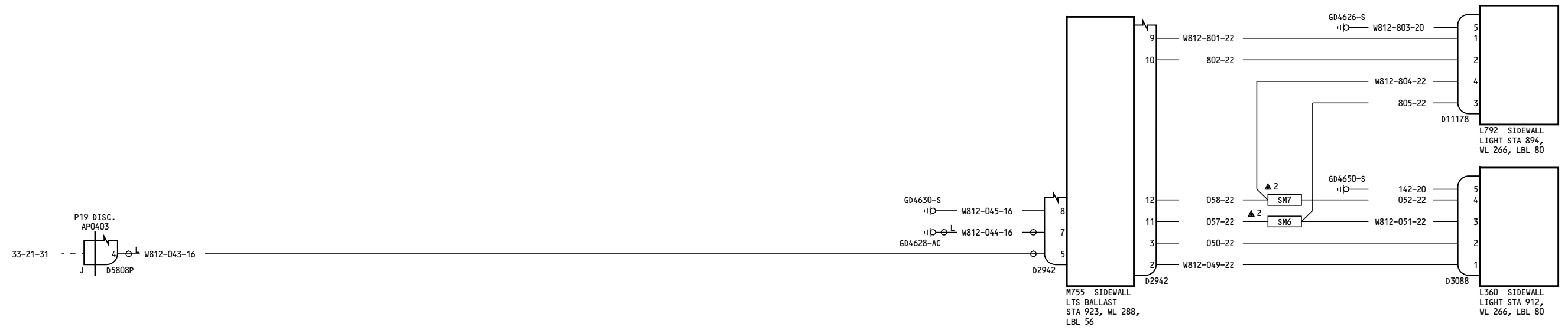
33-21-34

Page 2A
Sheet 3
Jan 21/2005

D280T132

33-21-34

Page 2A
Sheet 3
Jan 21/2005



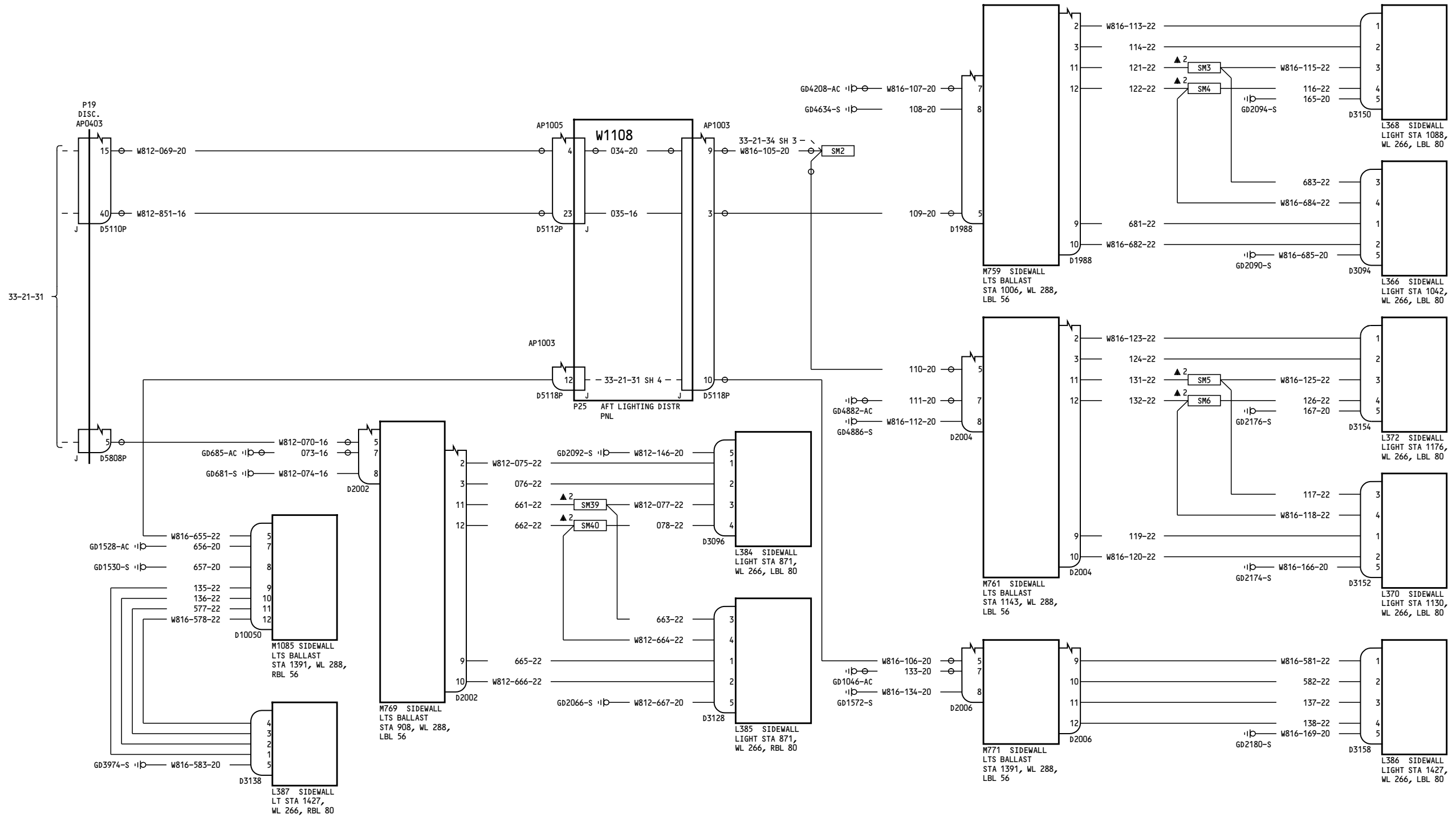
| | |
|---------|----------------------------------------------------------------------------------------------------------|
| 155-156 | <p align="center">AFT SIDEWALL WASH LIGHTS & LEFT BALLASTS</p> <p align="center">D280T132</p> |
|---------|----------------------------------------------------------------------------------------------------------|

33-21-34

Page 3A
Sheet 1
Jan 21/2005

33-21-34

Page 3A
Sheet 1
Jan 21/2005



155-156

AFT SIDEWALL WASH LIGHTS & LEFT BALLASTS

33-21-34

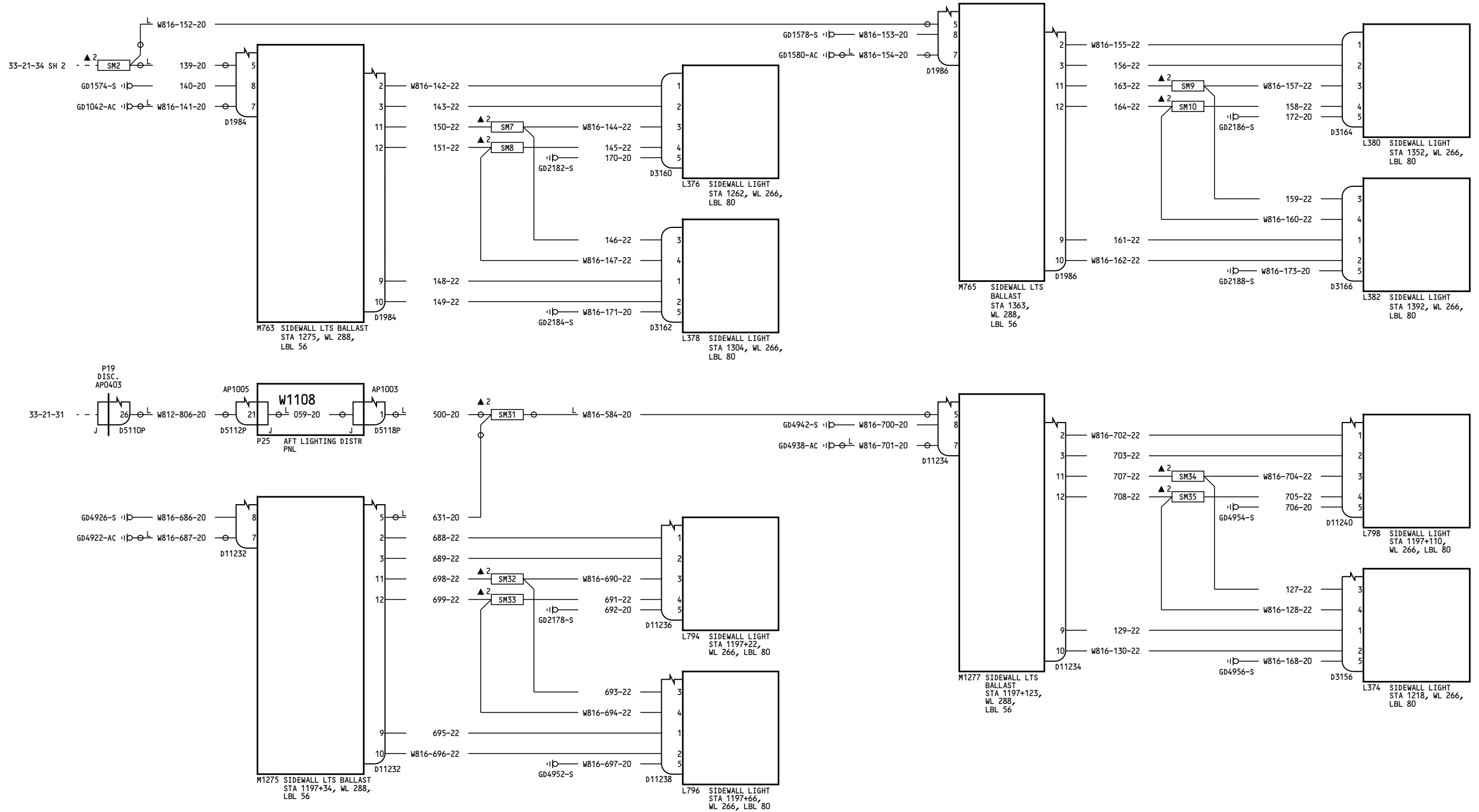
Page 3A
Sheet 2
Jan 21/2005

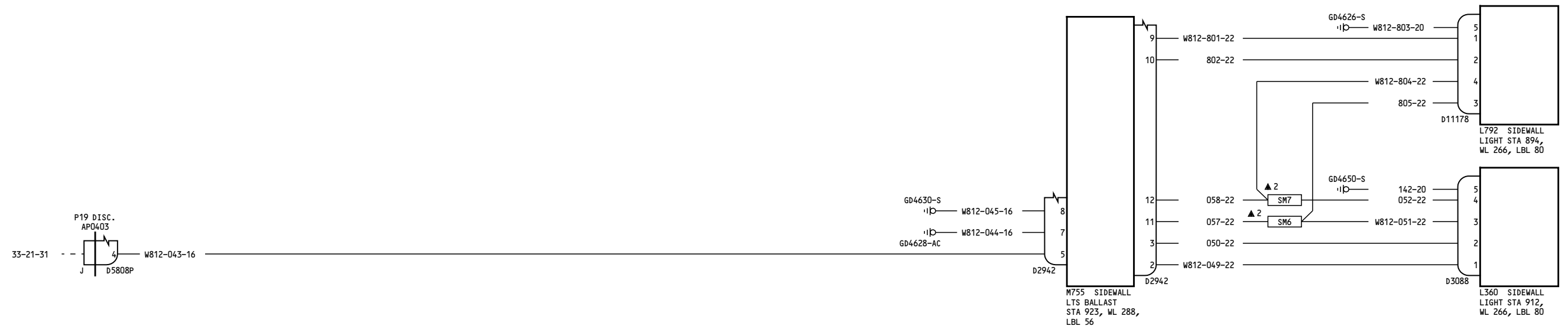
D280T132

Incorporates
MTO 0330386

33-21-34

Page 3A
Sheet 2
Jan 21/2005





162-165

AFT SIDEWALL WASH LIGHTS & LEFT BALLASTS

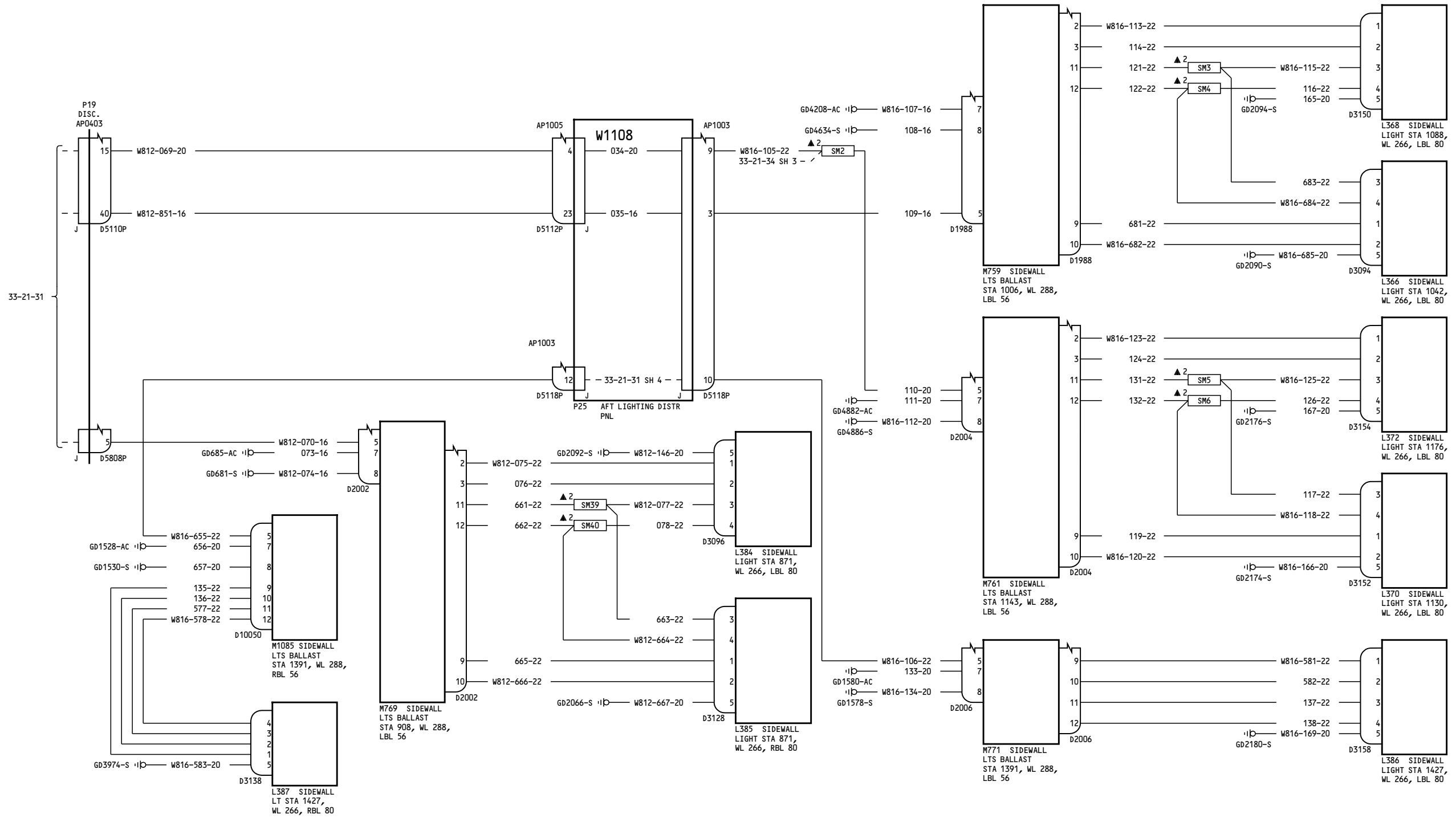
D280T132

33-21-34

Page 4
Sheet 1
Jan 21/2005

33-21-34

Page 4
Sheet 1
Jan 21/2005



162-165

AFT SIDEWALL WASH LIGHTS & LEFT BALLASTS

33-21-34

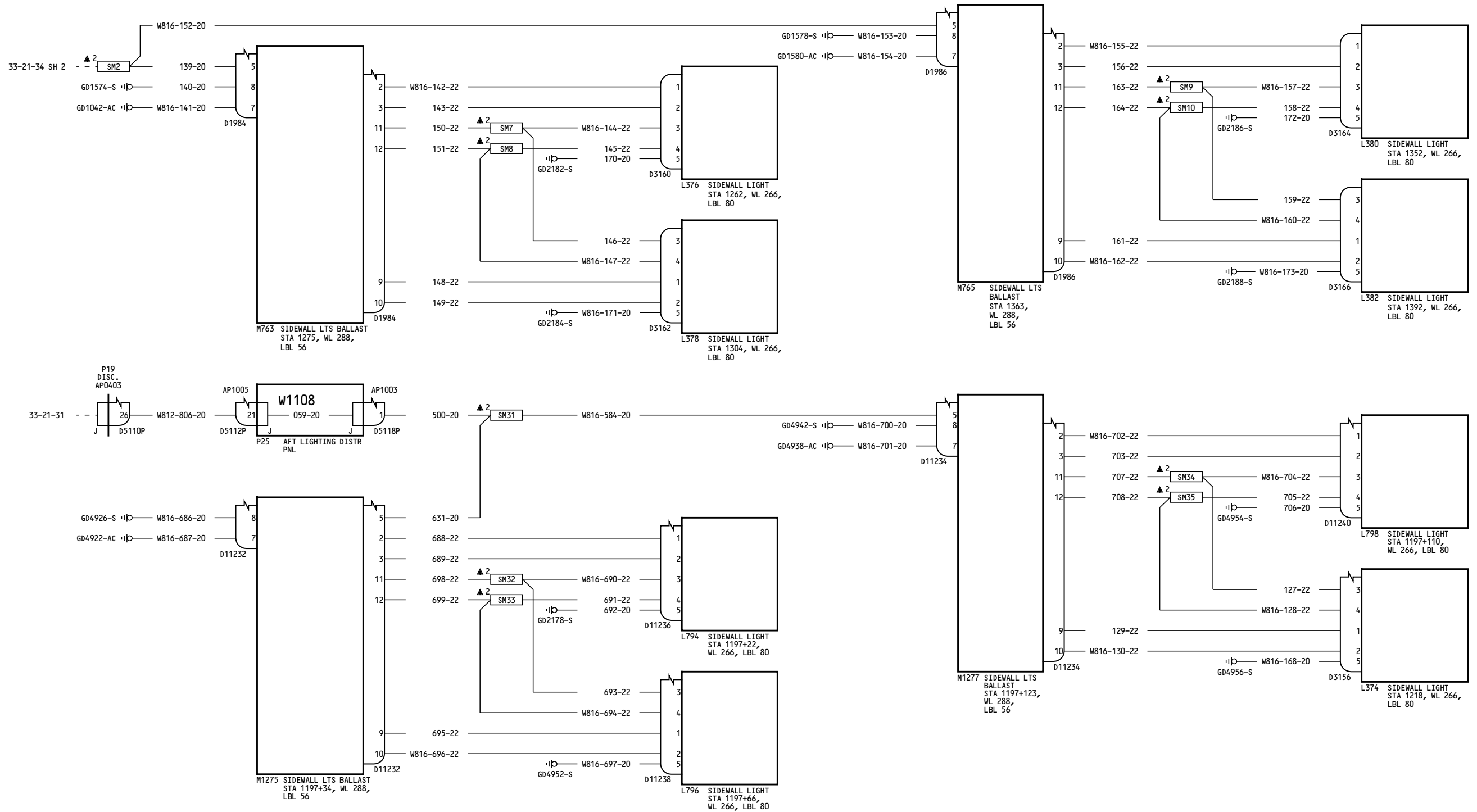
Page 4
Sheet 2
Jan 21/2005

D280T132

33-21-34

Page 4
Sheet 2
Jan 21/2005

-A
41



162-165

AFT SIDEWALL WASH LIGHTS & LEFT BALLASTS

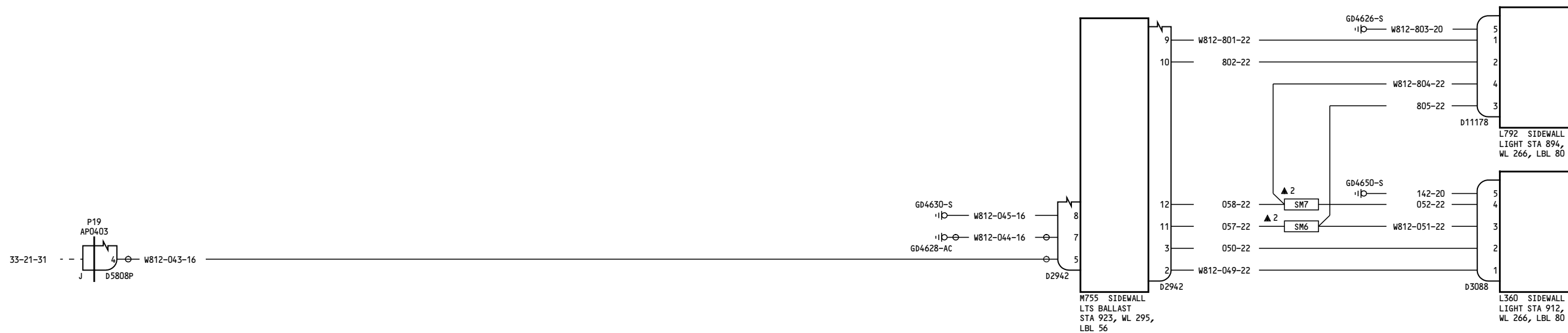
33-21-34

Page 4
Sheet 3
Jan 21/2005

D280T132

33-21-34

Page 4
Sheet 3
Jan 21/2005



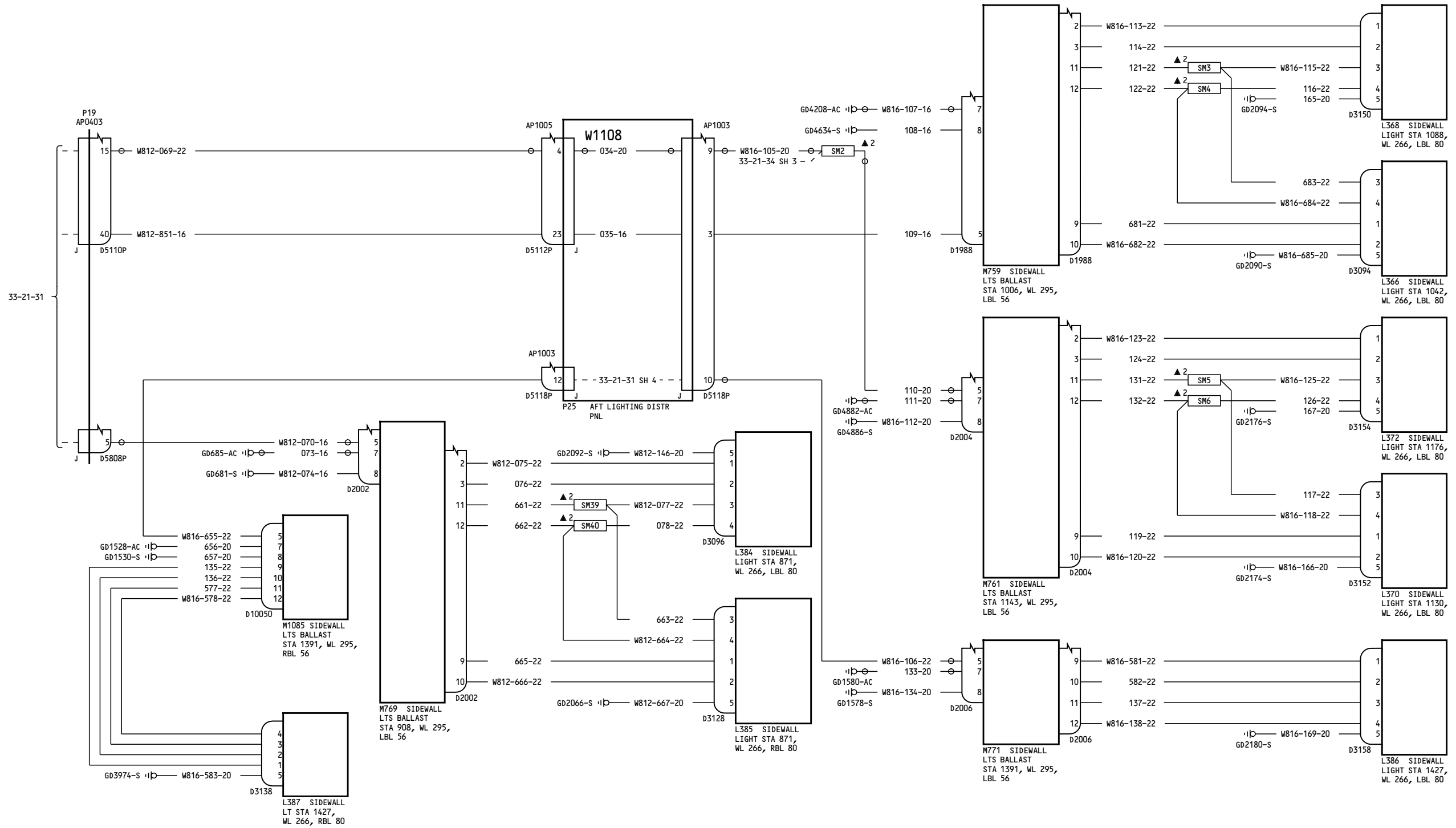
| | |
|-----|----------------------------------------------------------------------------------------------------------|
| 166 | <p align="center">AFT SIDEWALL WASH LIGHTS & LEFT BALLASTS</p> <p align="center">D280T132</p> |
|-----|----------------------------------------------------------------------------------------------------------|

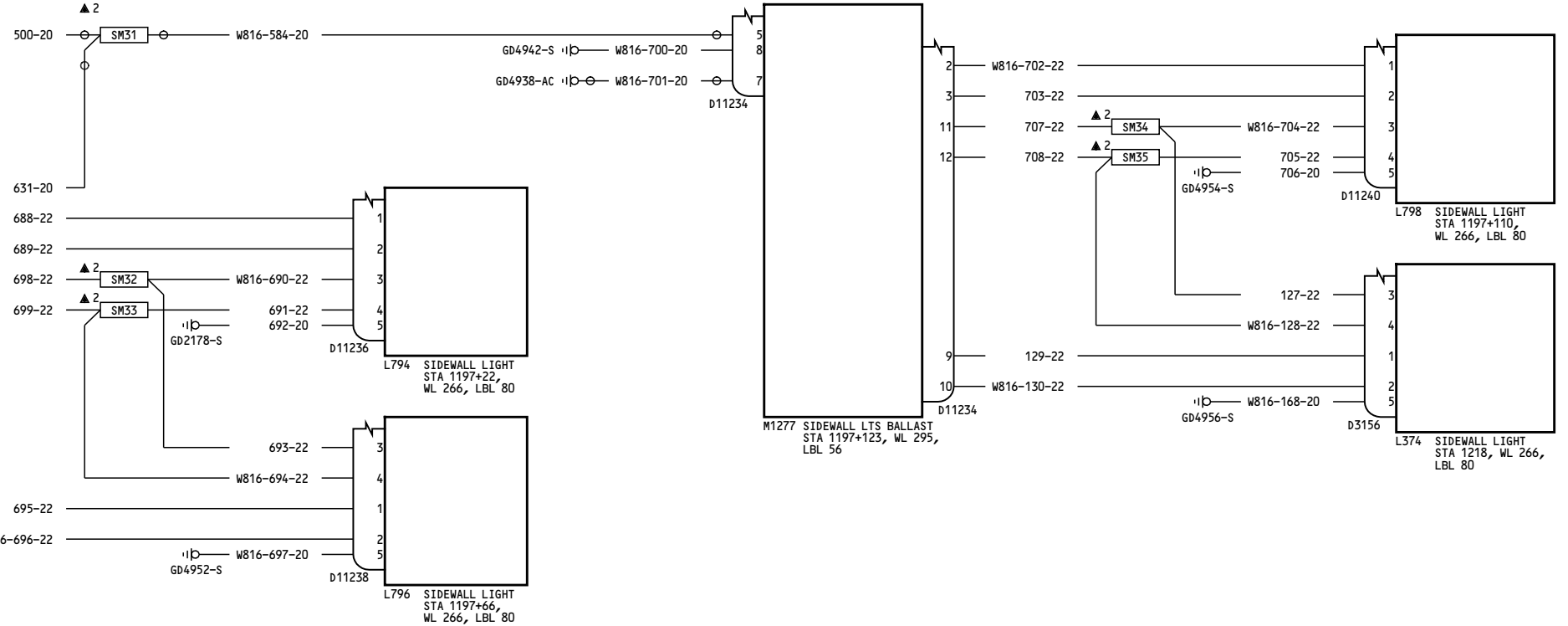
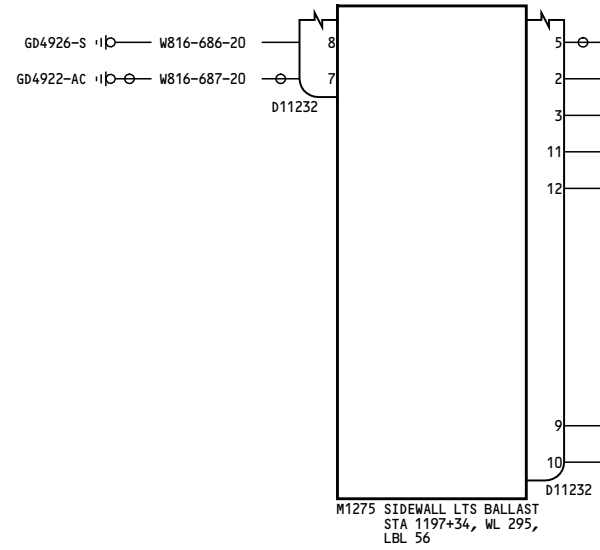
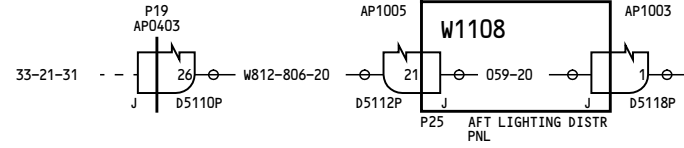
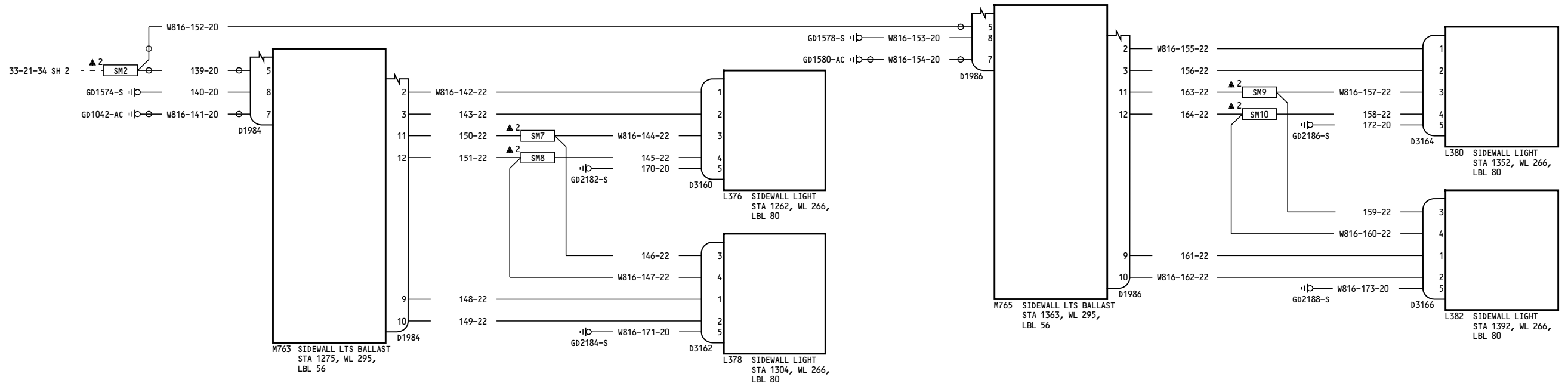
33-21-34

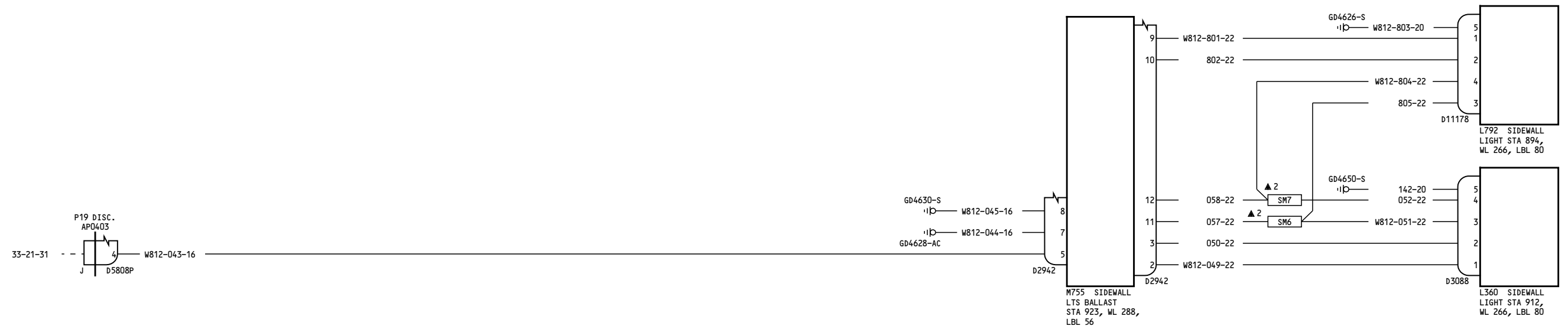
Page 5
Sheet 1
Jan 21/2005

33-21-34

Page 5
Sheet 1
Jan 21/2005







167-199

AFT SIDEWALL WASH LIGHTS & LEFT BALLASTS

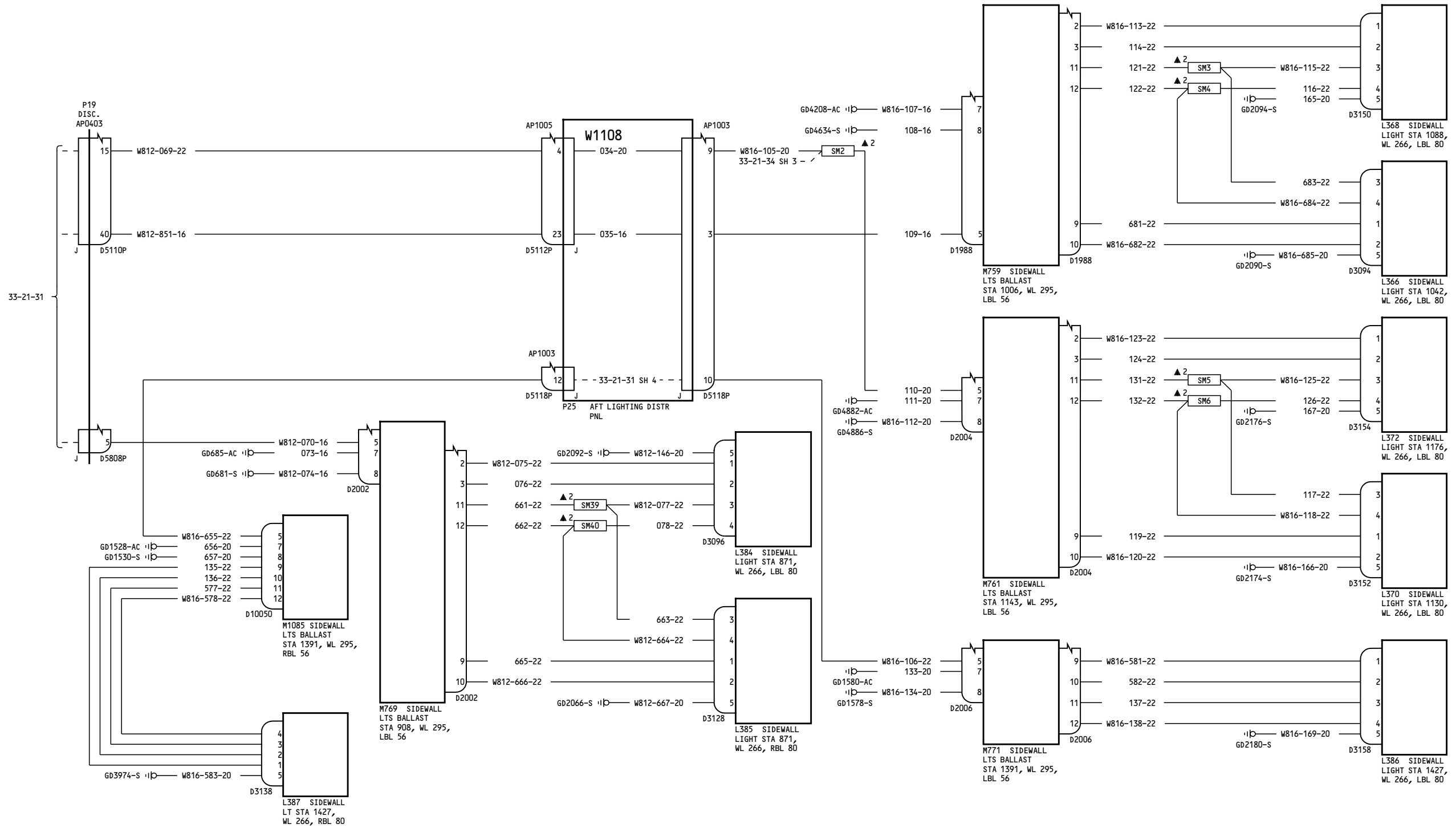
D280T132

33-21-34

Page 6
Sheet 1
Jan 21/2005

33-21-34

Page 6
Sheet 1
Jan 21/2005



167-199

AFT SIDEWALL WASH LIGHTS & LEFT BALLASTS

33-21-34

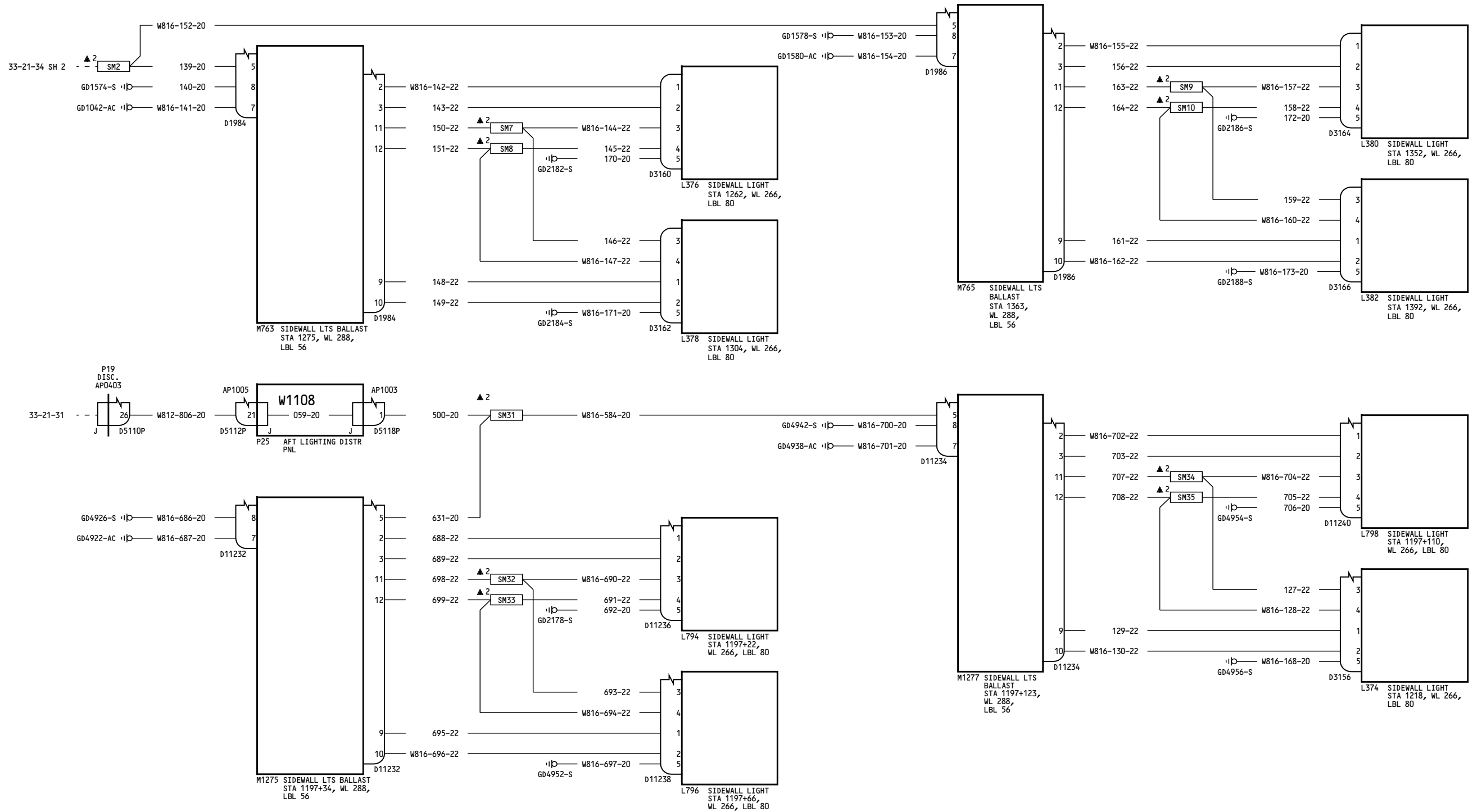
Page 6
Sheet 2
Jan 21/2005

D280T132

33-21-34

Page 6
Sheet 2
Jan 21/2005

60



167-199

AFT SIDEWALL WASH LIGHTS & LEFT BALLASTS

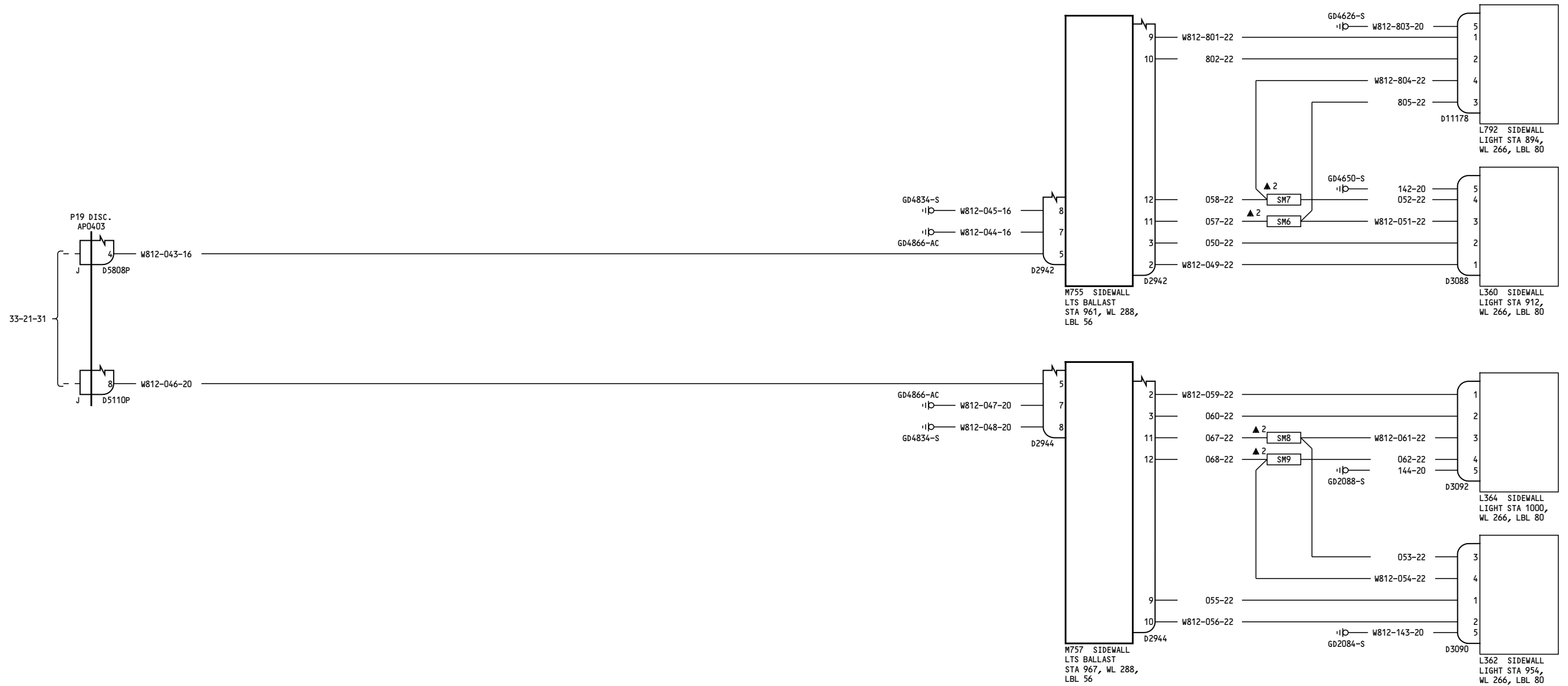
33-21-34

Page 6
Sheet 3
Jan 21/2005

D280T132

33-21-34

Page 6
Sheet 3
Jan 21/2005



275-299

AFT SIDEWALL WASH LIGHTS & LEFT BALLASTS

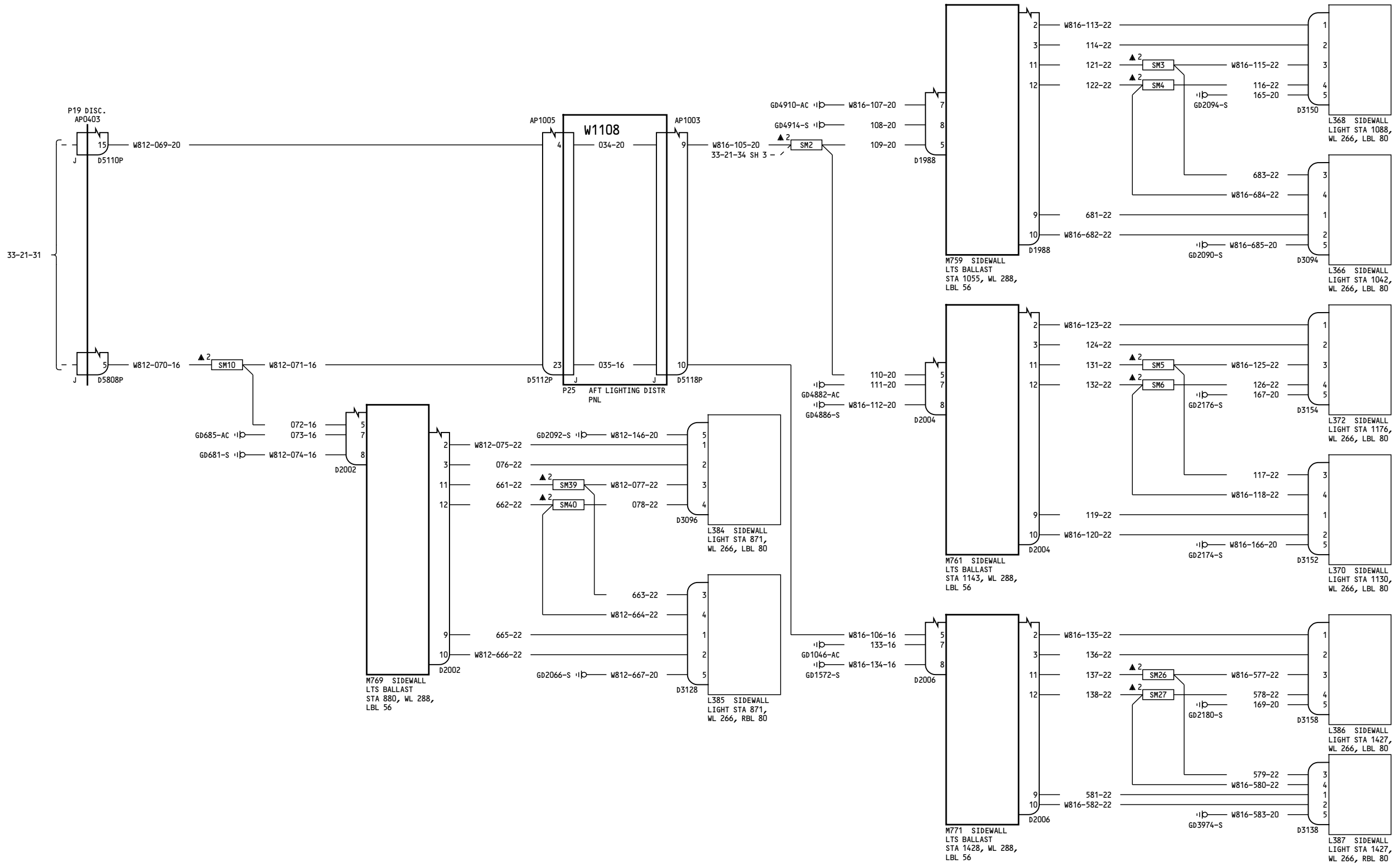
33-21-34

Page 7
Sheet 1
Jan 21/2005

D280T132

33-21-34

Page 7
Sheet 1
Jan 21/2005



275-299

AFT SIDEWALL WASH LIGHTS & LEFT BALLASTS

33-21-34

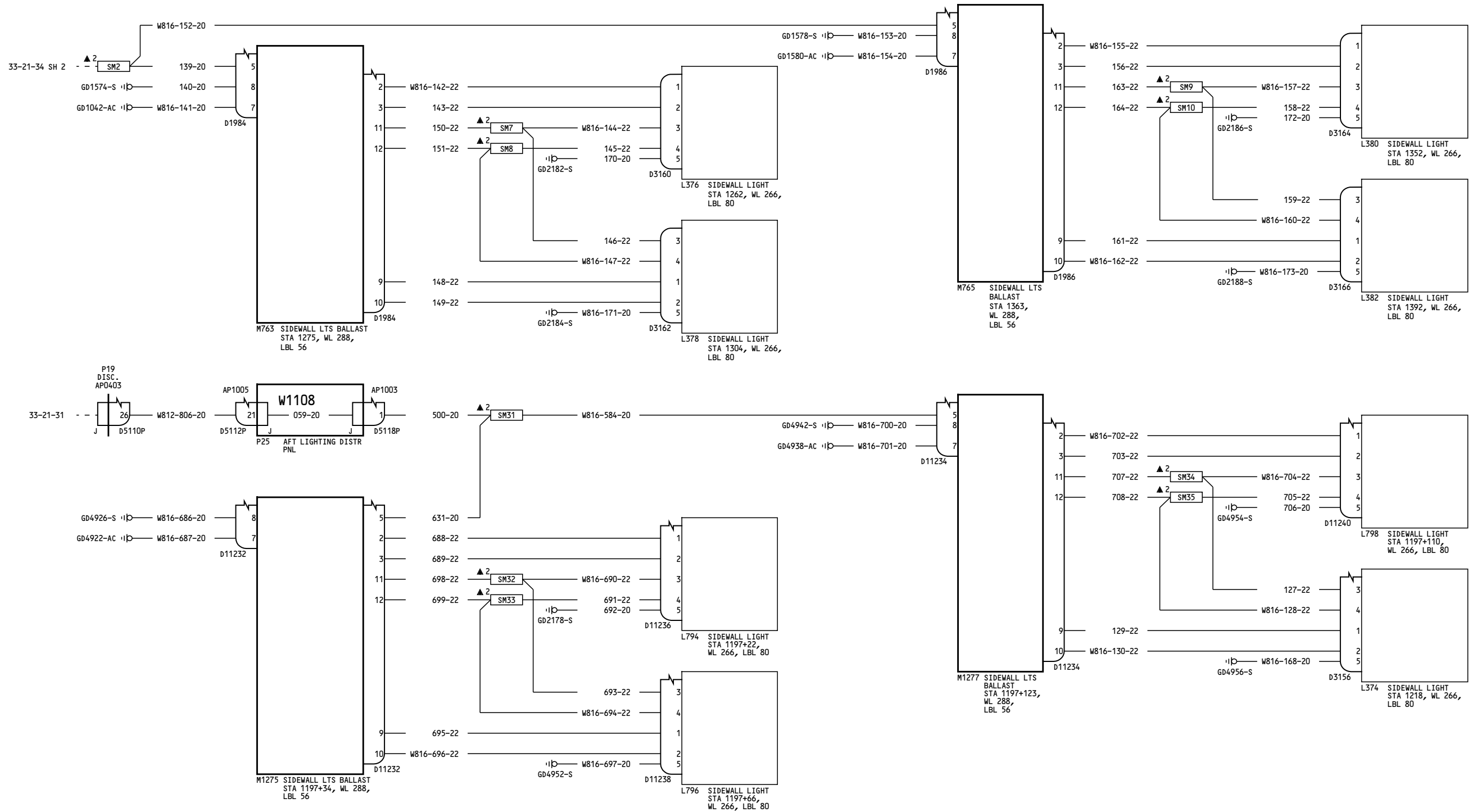
Page 7
Sheet 2
Jan 21/2005

D280T132

33-21-34

Page 7
Sheet 2
Jan 21/2005

-A
18



275-299

AFT SIDEWALL WASH LIGHTS & LEFT BALLASTS

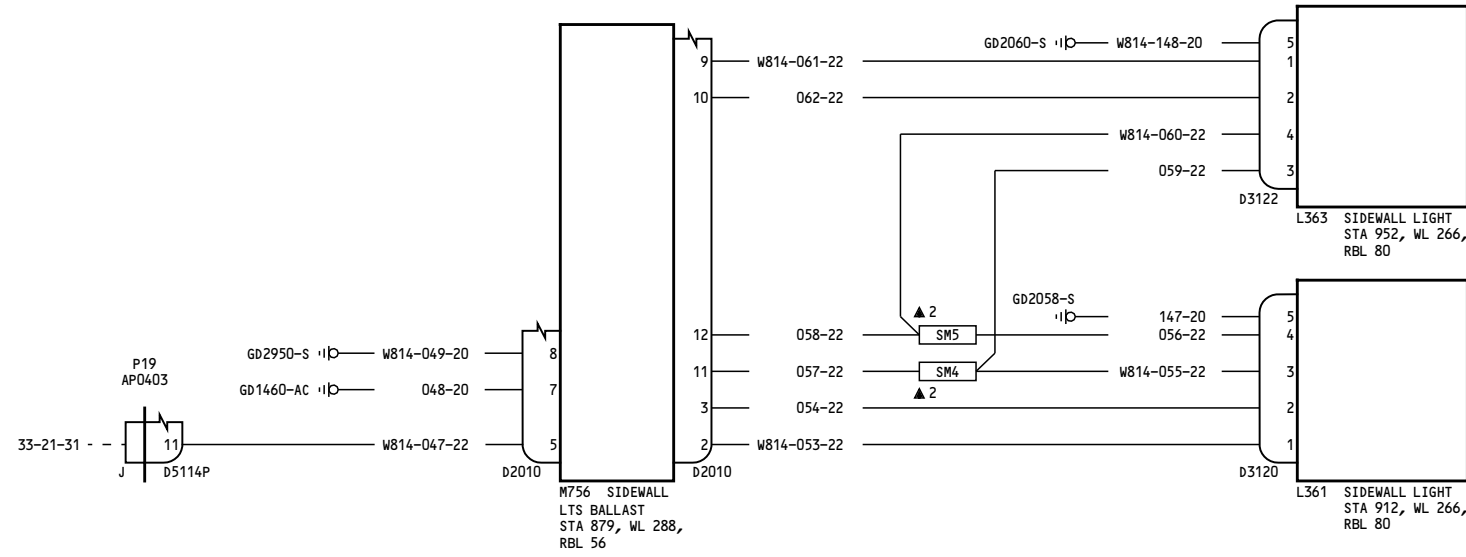
33-21-34

Page 7
Sheet 3
Jan 21/2005

D280T132

33-21-34

Page 7
Sheet 3
Jan 21/2005



050-099

AFT SIDEWALL WASH LIGHTS & RIGHT BALLASTS

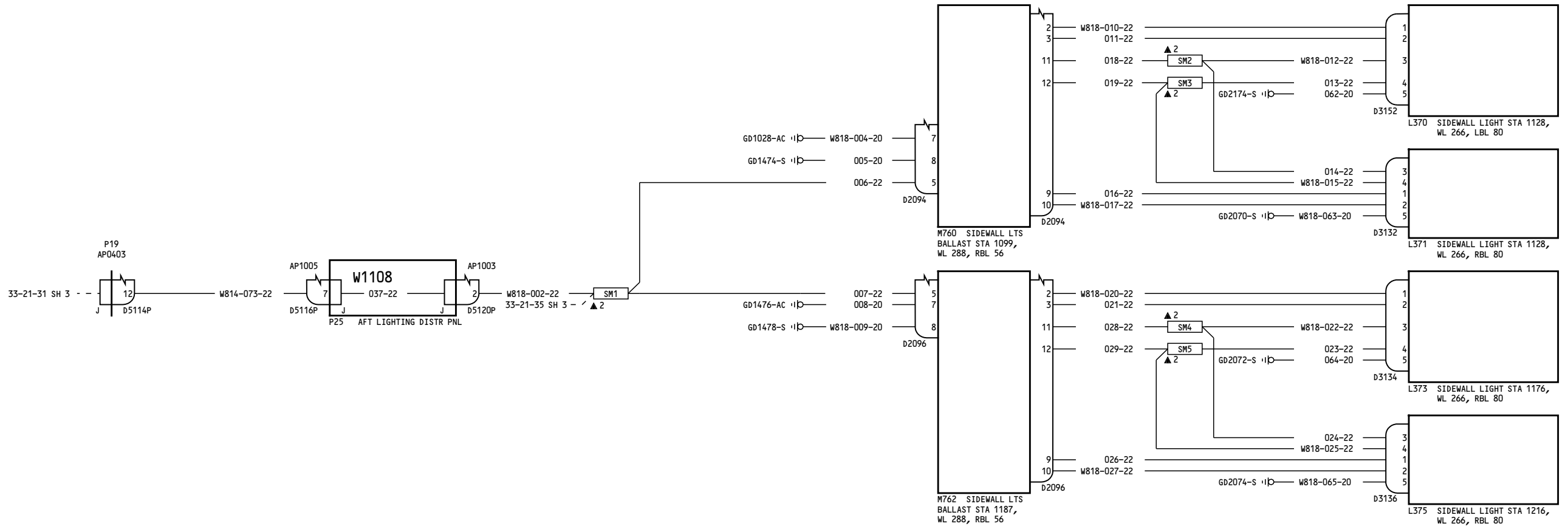
D280T132

33-21-35

Page 1
Sheet 1
Jan 21/2005

33-21-35

Page 1
Sheet 1
Jan 21/2005



050-099

AFT SIDEWALL WASH LIGHTS & RIGHT BALLASTS

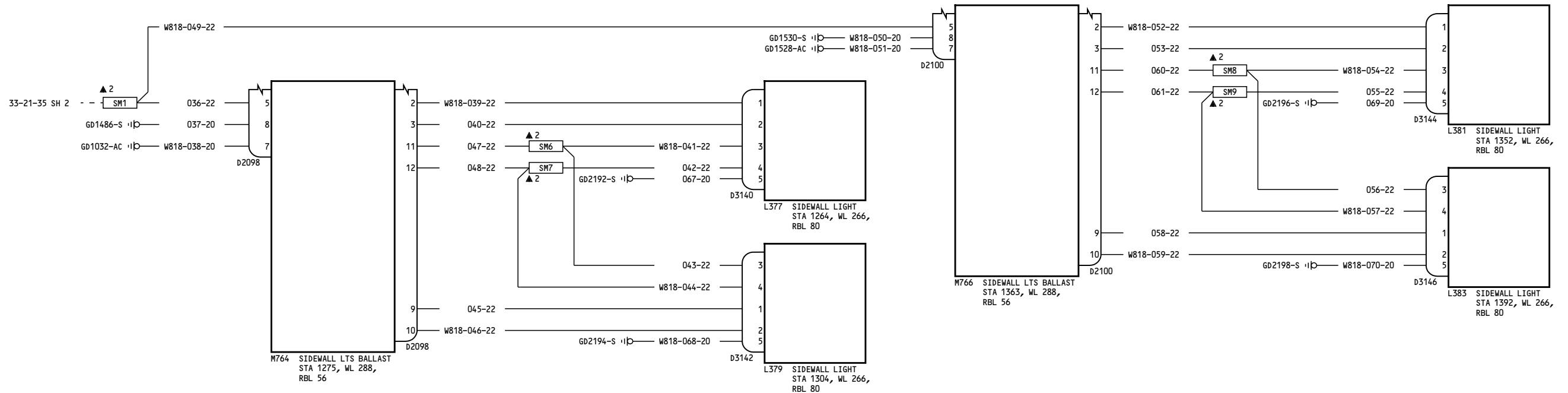
D280T132

33-21-35

Page 1
Sheet 2
Jan 21/2005

33-21-35

Page 1
Sheet 2
Jan 21/2005



050-099

AFT SIDEWALL WASH LIGHTS & RIGHT BALLASTS

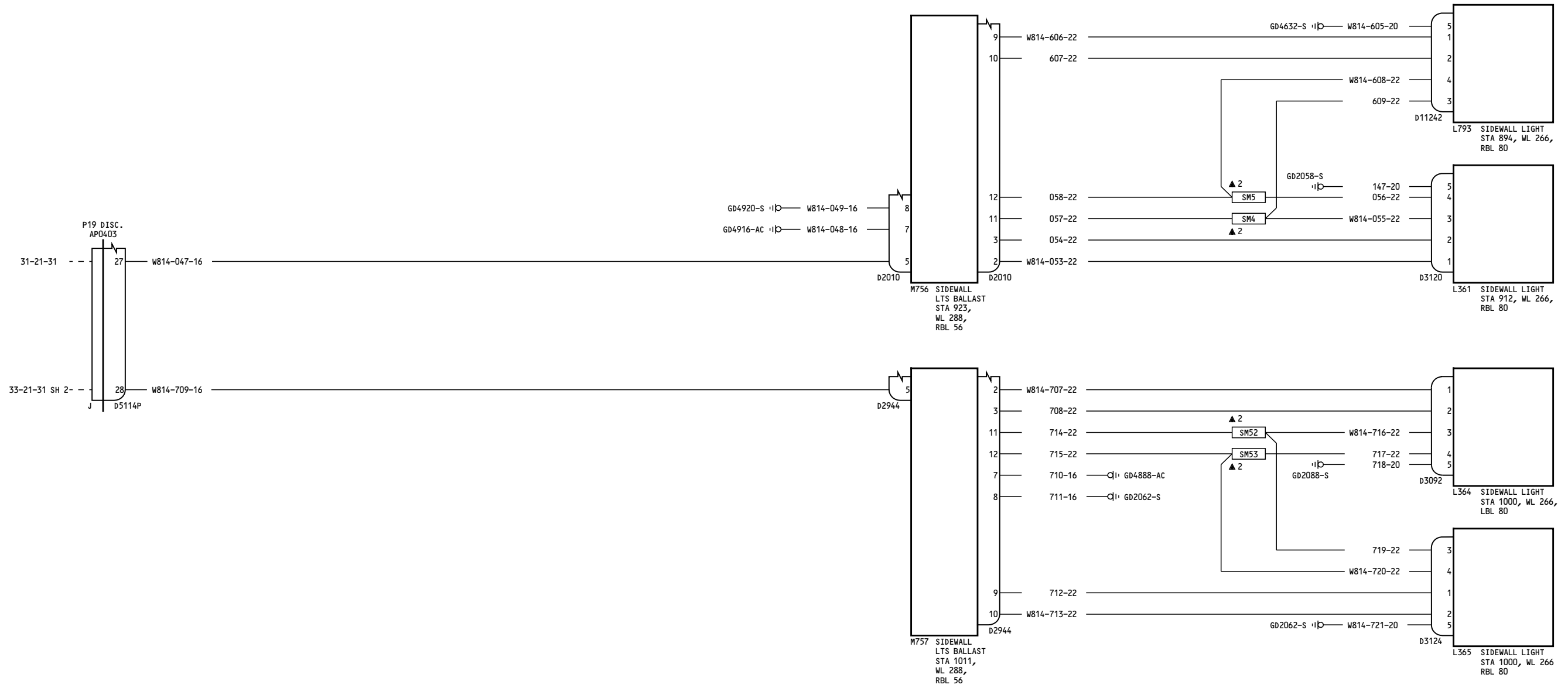
D280T132

33-21-35

Page 1
Sheet 3
Jan 21/2005

33-21-35

Page 1
Sheet 3
Jan 21/2005



150-154, 162-165

AFT SIDEWALL WASH LIGHTS & RIGHT BALLASTS

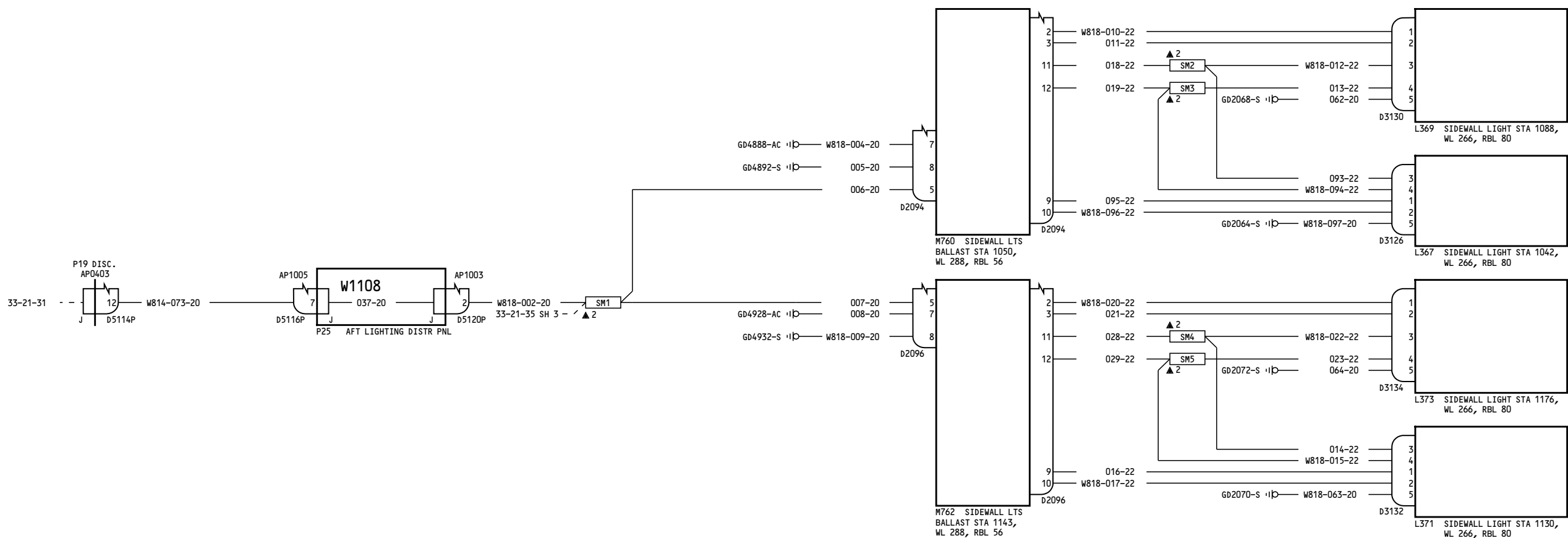
D280T132

33-21-35

Page 2
Sheet 1
Jan 21/2005

33-21-35

Page 2
Sheet 1
Jan 21/2005



150-154, 162-165

AFT SIDEWALL WASH LIGHTS & RIGHT BALLASTS

D280T132

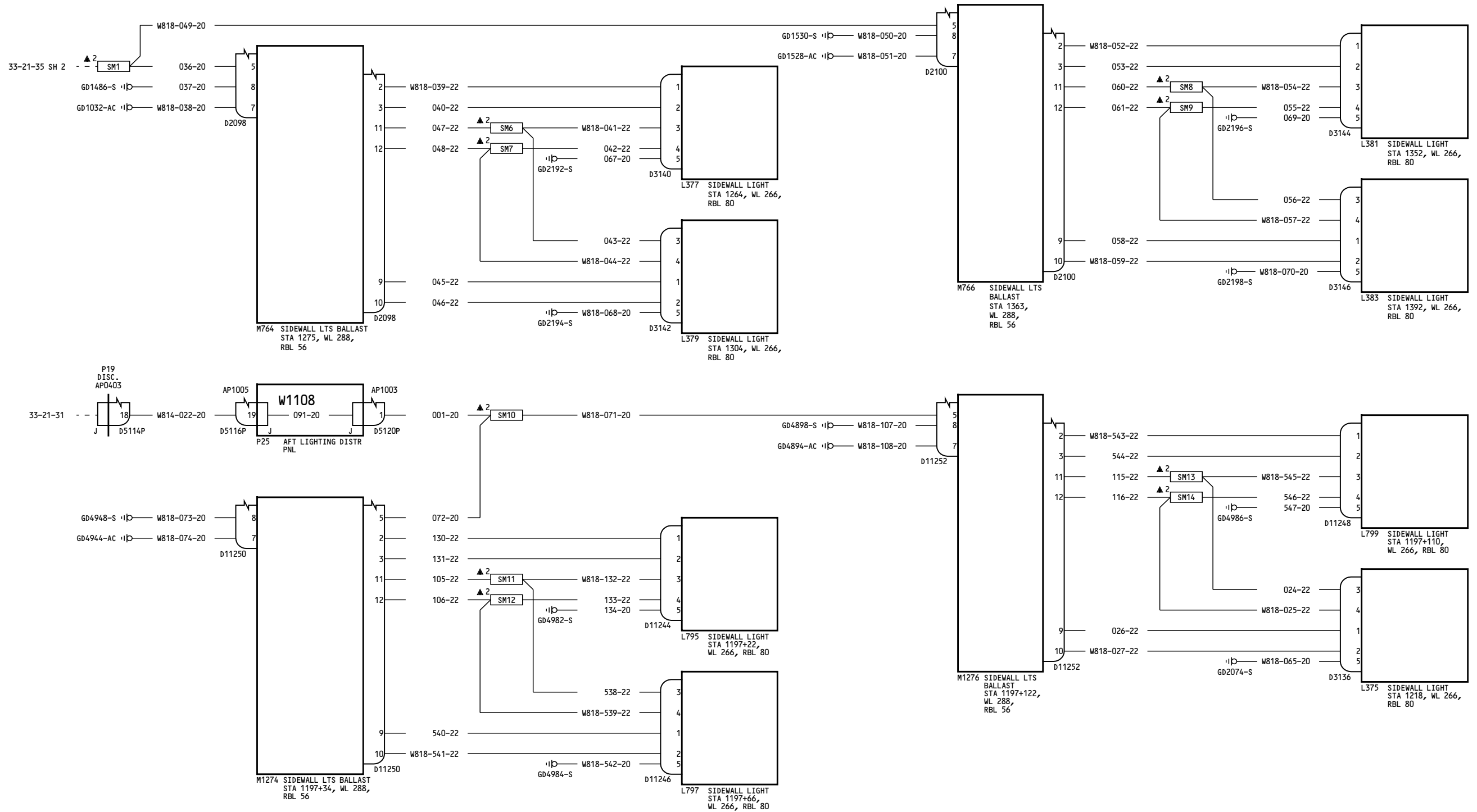
33-21-35

Page 2
Sheet 2
Jan 21/2005

33-21-35

Page 2
Sheet 2
Jan 21/2005

-A
20



150-154, 162-165

AFT SIDEWALL WASH LIGHTS & RIGHT BALLASTS

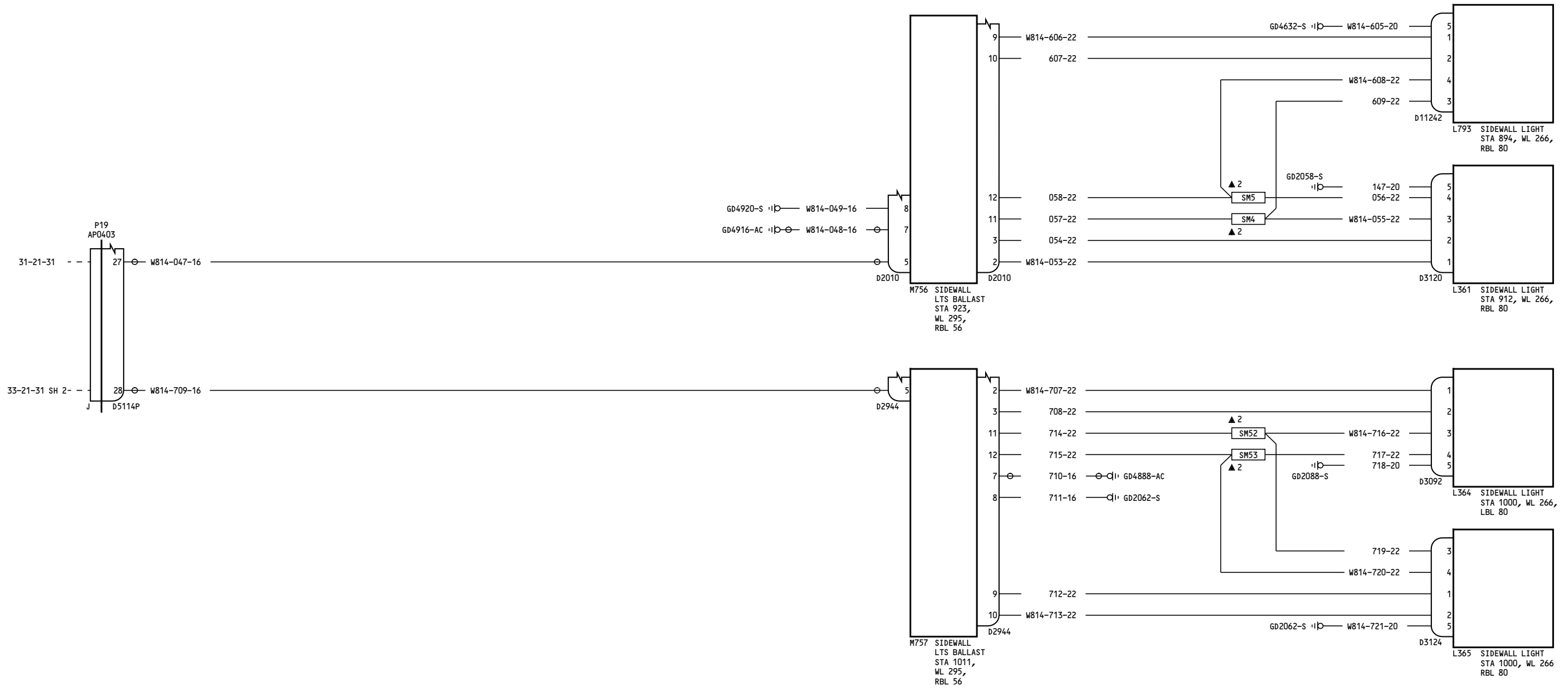
33-21-35

Page 2
Sheet 3
Jan 21/2005

D280T132

33-21-35

Page 2
Sheet 3
Jan 21/2005



155-156, 166

AFT SIDEWALL WASH LIGHTS & RIGHT BALLASTS

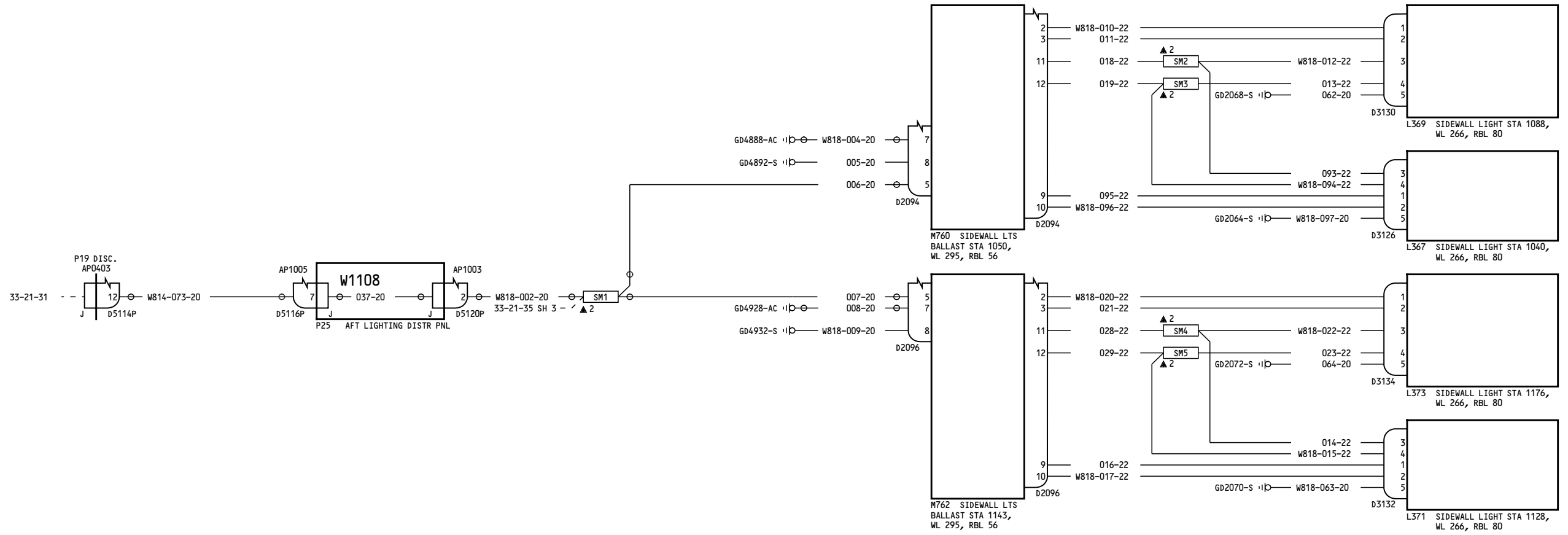
D280T132

33-21-35

Page 3
Sheet 1
Jan 21/2005

33-21-35

Page 3
Sheet 1
Jan 21/2005



155-156, 166

AFT SIDEWALL WASH LIGHTS & RIGHT BALLASTS

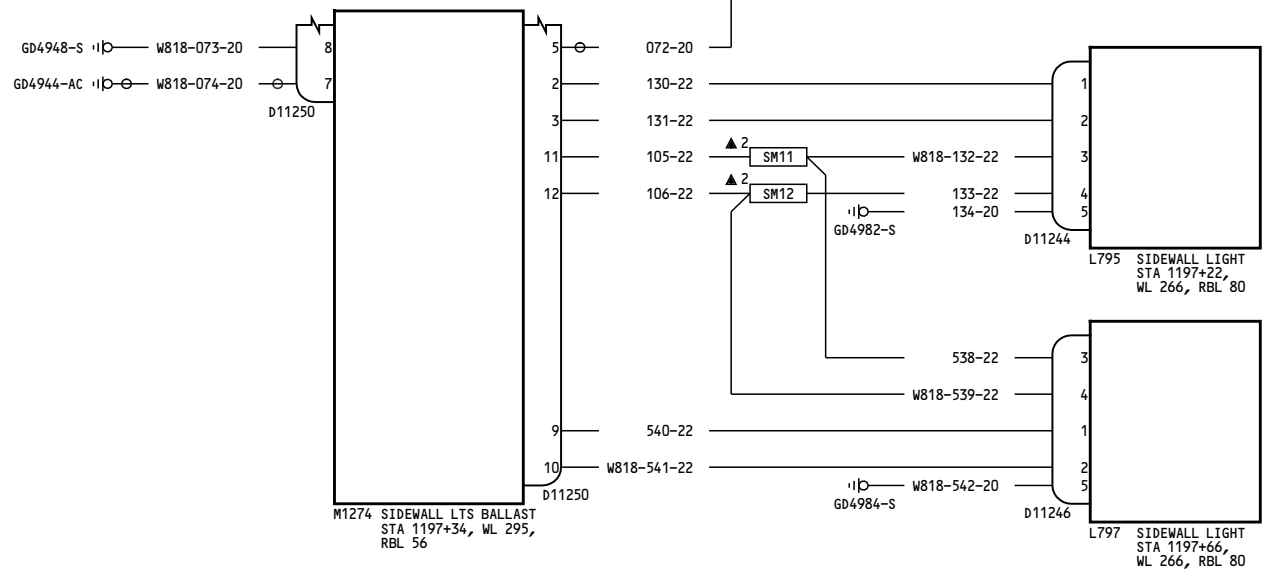
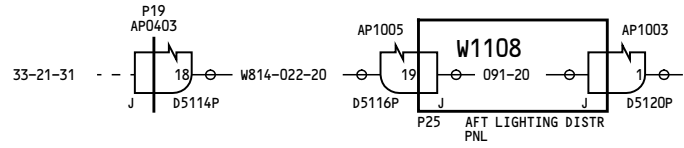
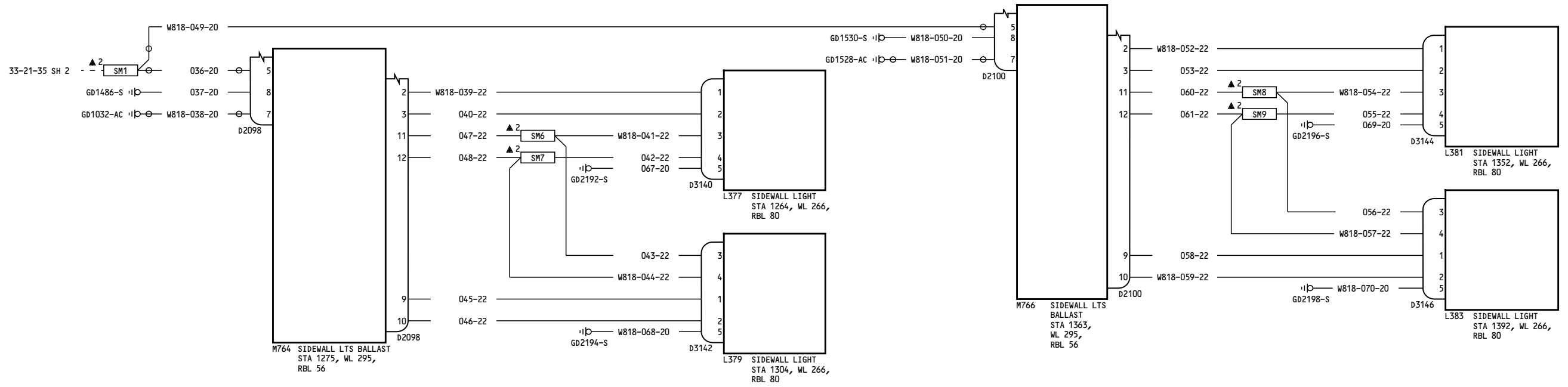
D280T132

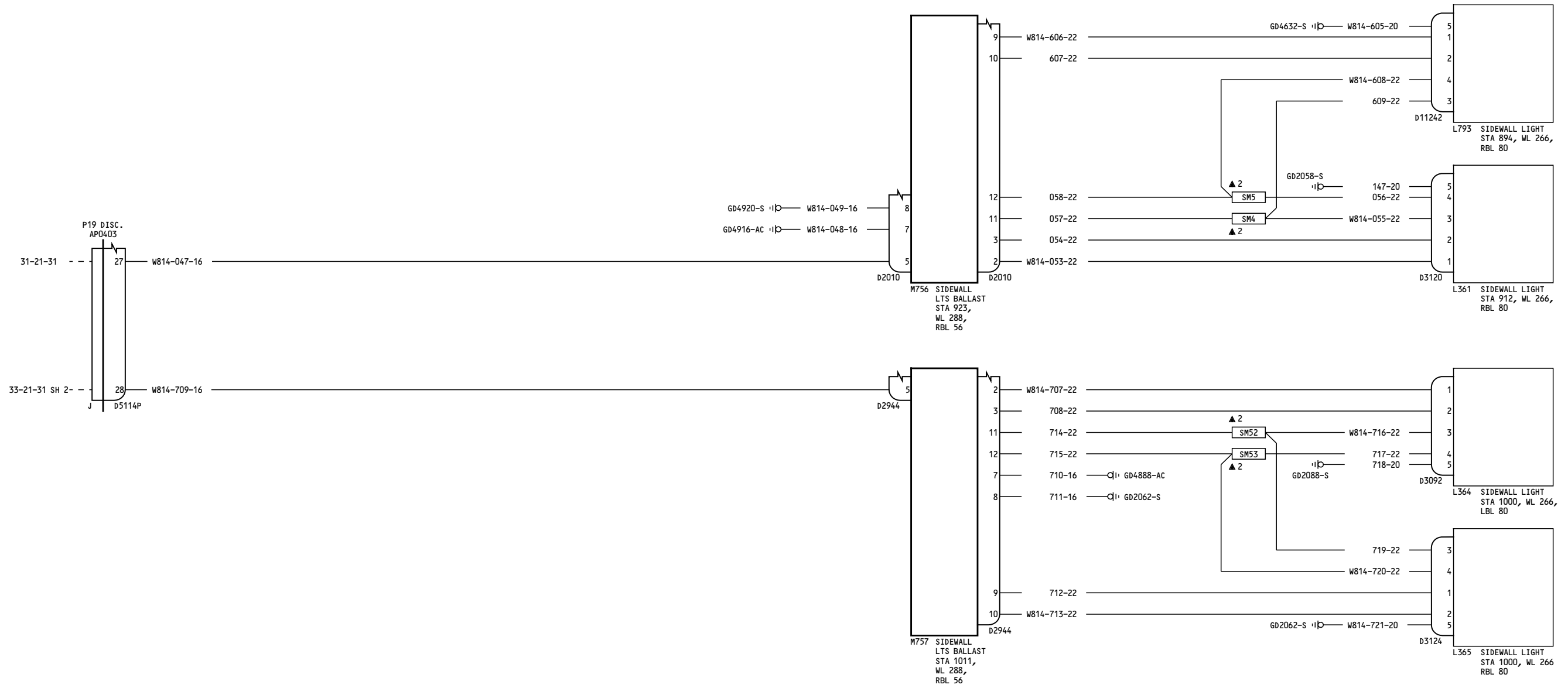
33-21-35

Page 3
Sheet 2
Jan 21/2005

33-21-35

Page 3
Sheet 2
Jan 21/2005





157, 167-199

AFT SIDEWALL WASH LIGHTS & RIGHT BALLASTS

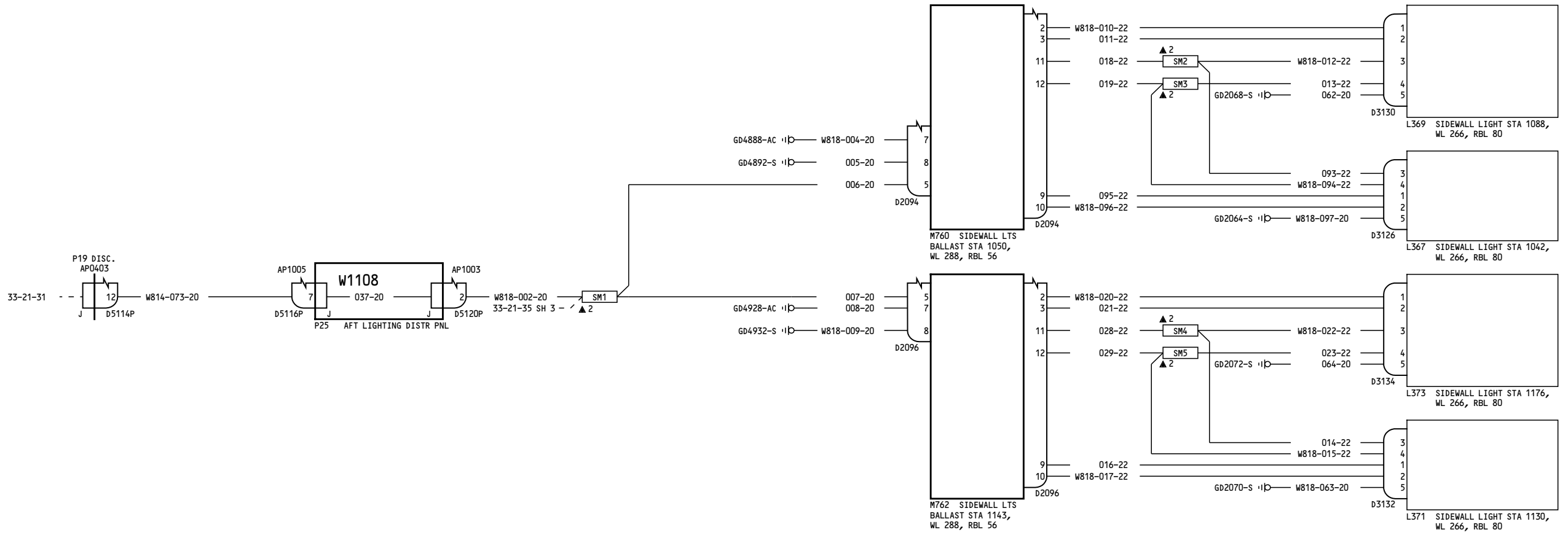
33-21-35

Page 4
Sheet 1
Jan 21/2005

D280T132

33-21-35

Page 4
Sheet 1
Jan 21/2005



157, 167-199

AFT SIDEWALL WASH LIGHTS & RIGHT BALLASTS

D280T132

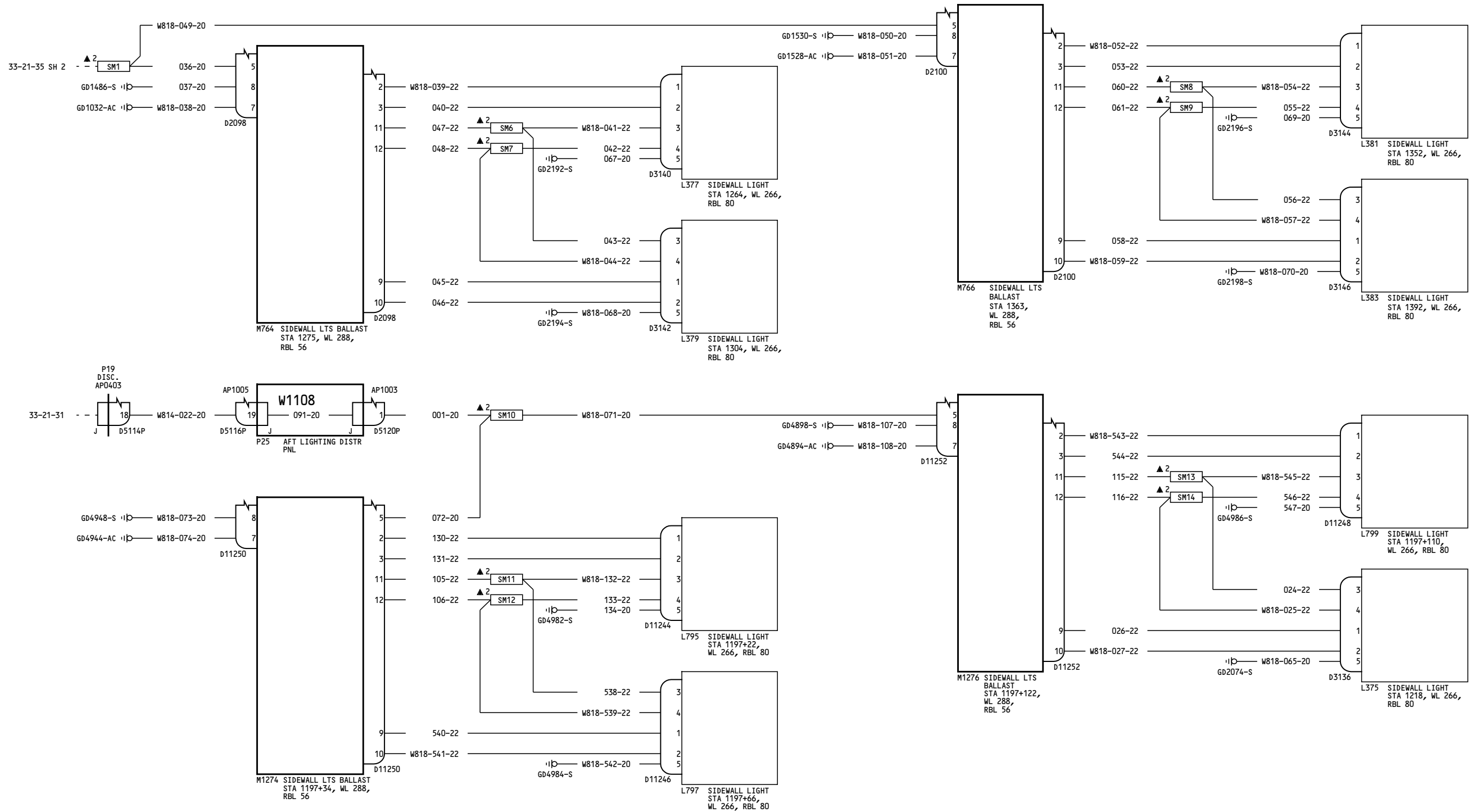
33-21-35

Page 4
Sheet 2
Jan 21/2005

33-21-35

Page 4
Sheet 2
Jan 21/2005

51



157, 167-199

AFT SIDEWALL WASH LIGHTS & RIGHT BALLASTS

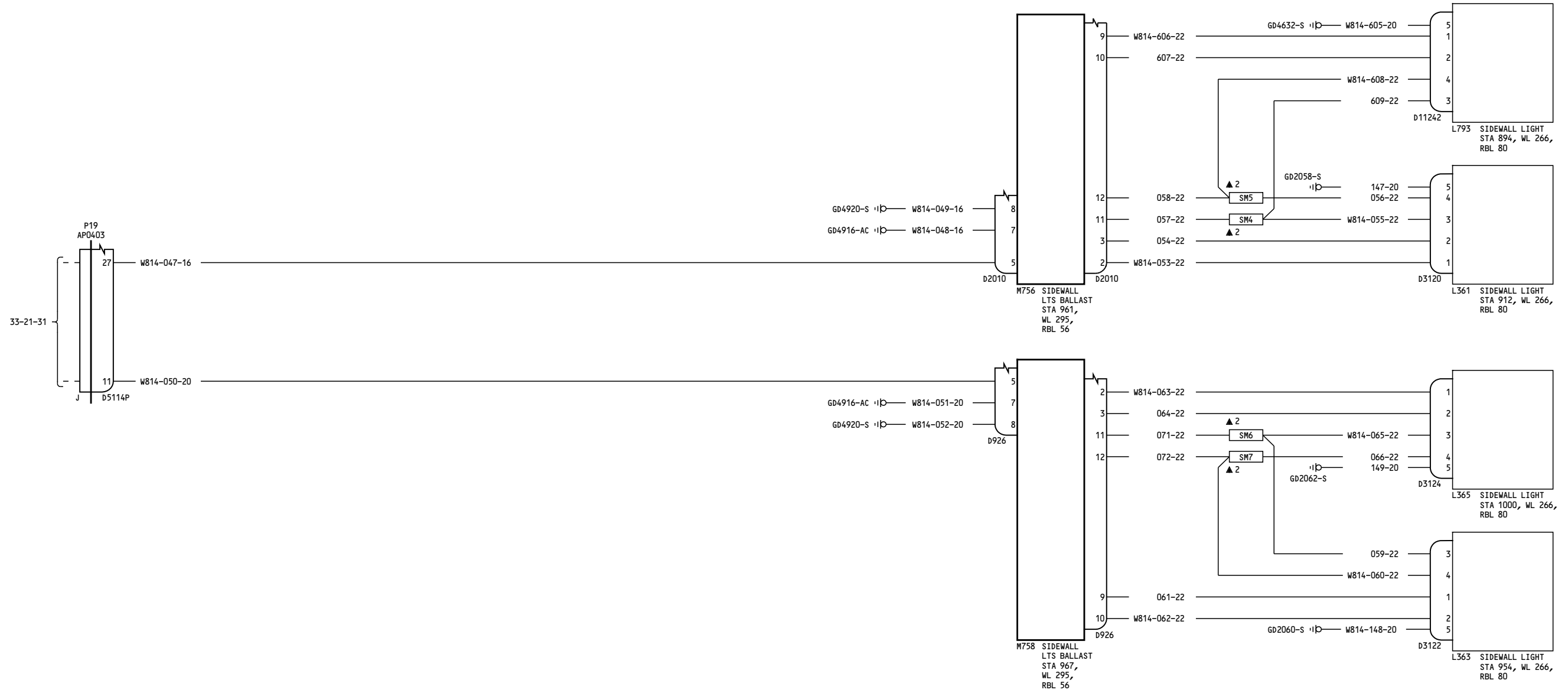
33-21-35

Page 4
Sheet 3
Jan 21/2005

D280T132

33-21-35

Page 4
Sheet 3
Jan 21/2005



275-299

AFT SIDEWALL WASH LIGHTS & RIGHT BALLASTS

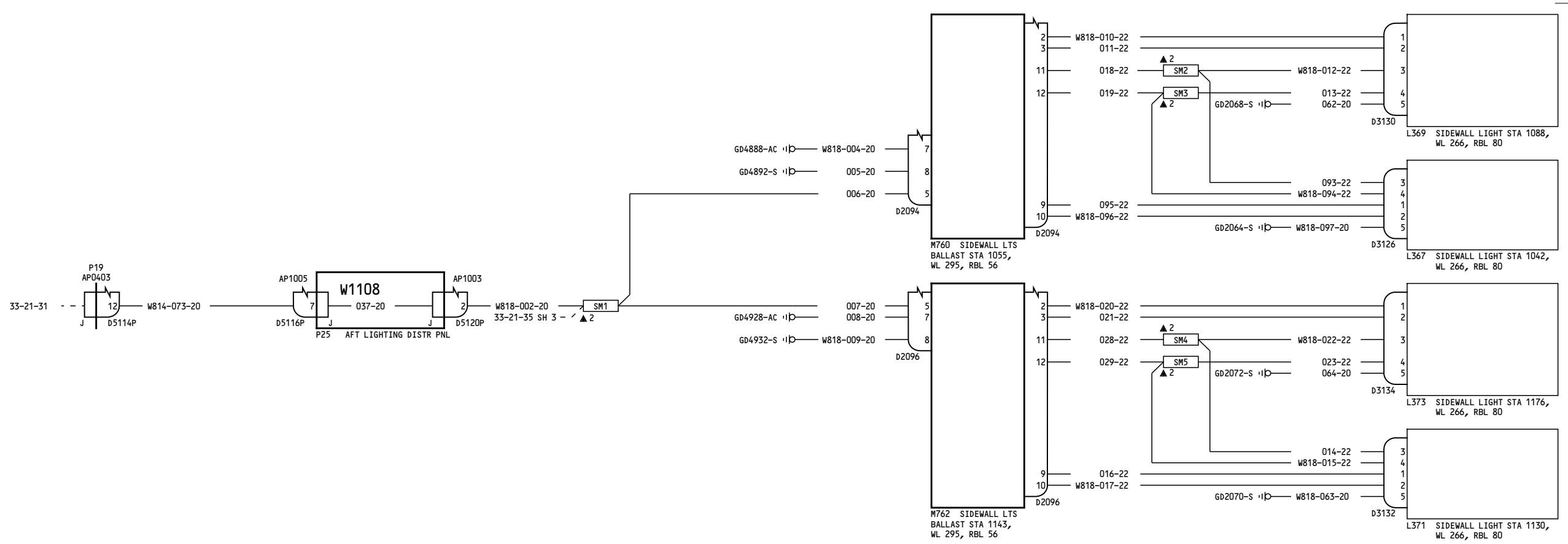
33-21-35

Page 5
Sheet 1
Jan 21/2005

D280T132

33-21-35

Page 5
Sheet 1
Jan 21/2005



275-299

AFT SIDEWALL WASH LIGHTS & RIGHT BALLASTS

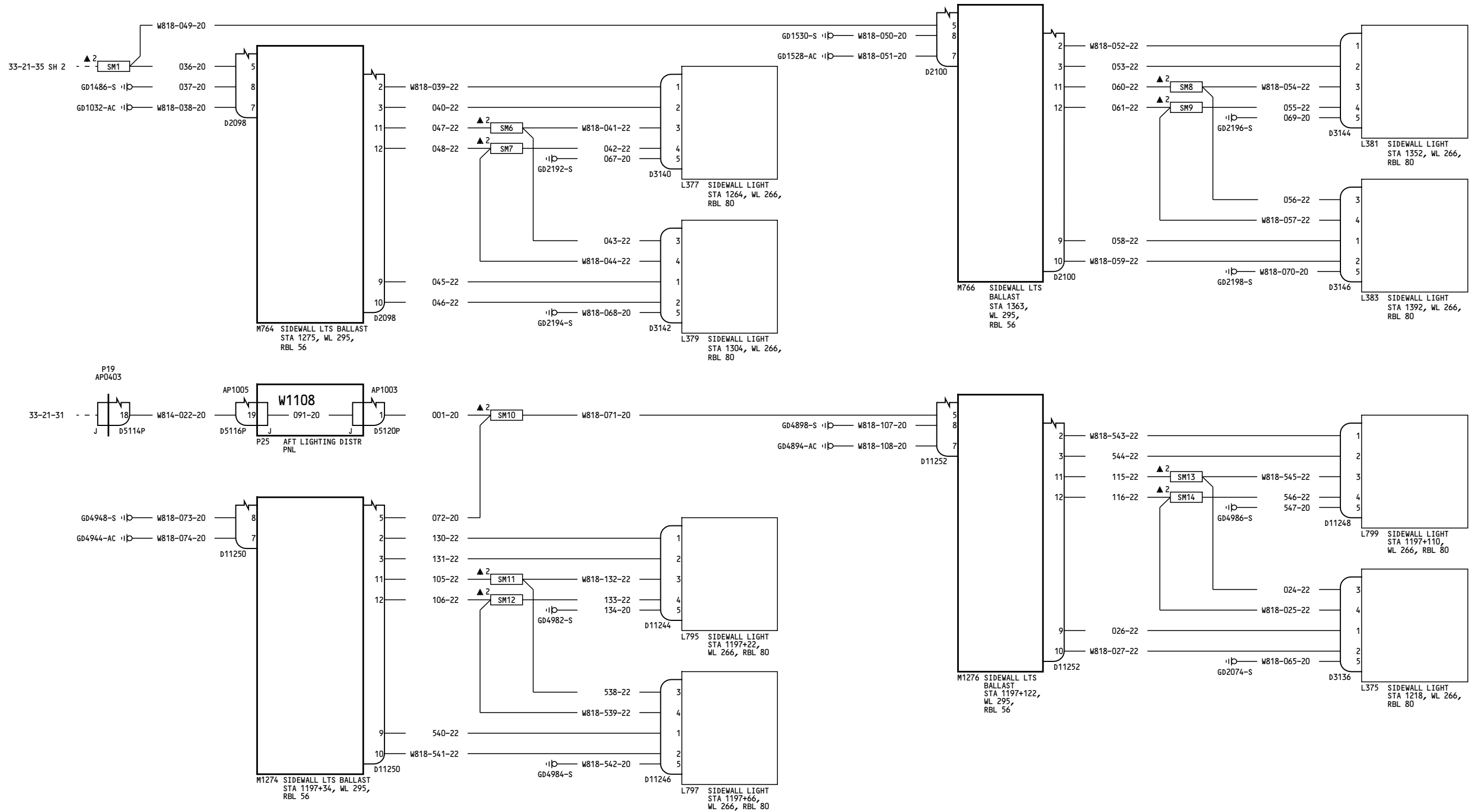
D280T132

33-21-35

Page 5
Sheet 2
Jan 21/2005

33-21-35

Page 5
Sheet 2
Jan 21/2005



275-299

AFT SIDEWALL WASH LIGHTS & RIGHT BALLASTS

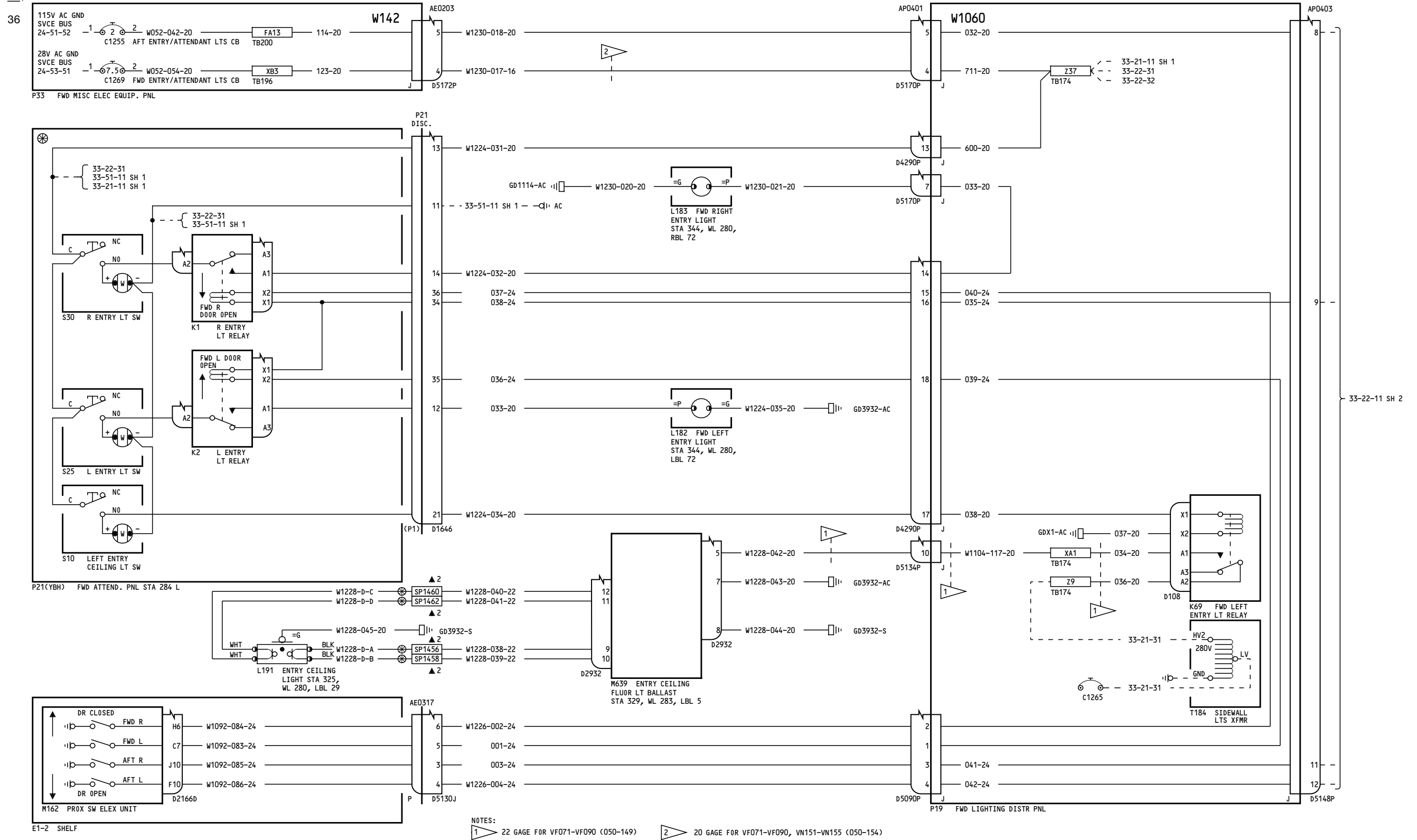
33-21-35

Page 5
Sheet 3
Jan 21/2005

D280T132

33-21-35

Page 5
Sheet 3
Jan 21/2005



050-099, 150-154, 162-165

ENTRY LIGHTS

33-22-11

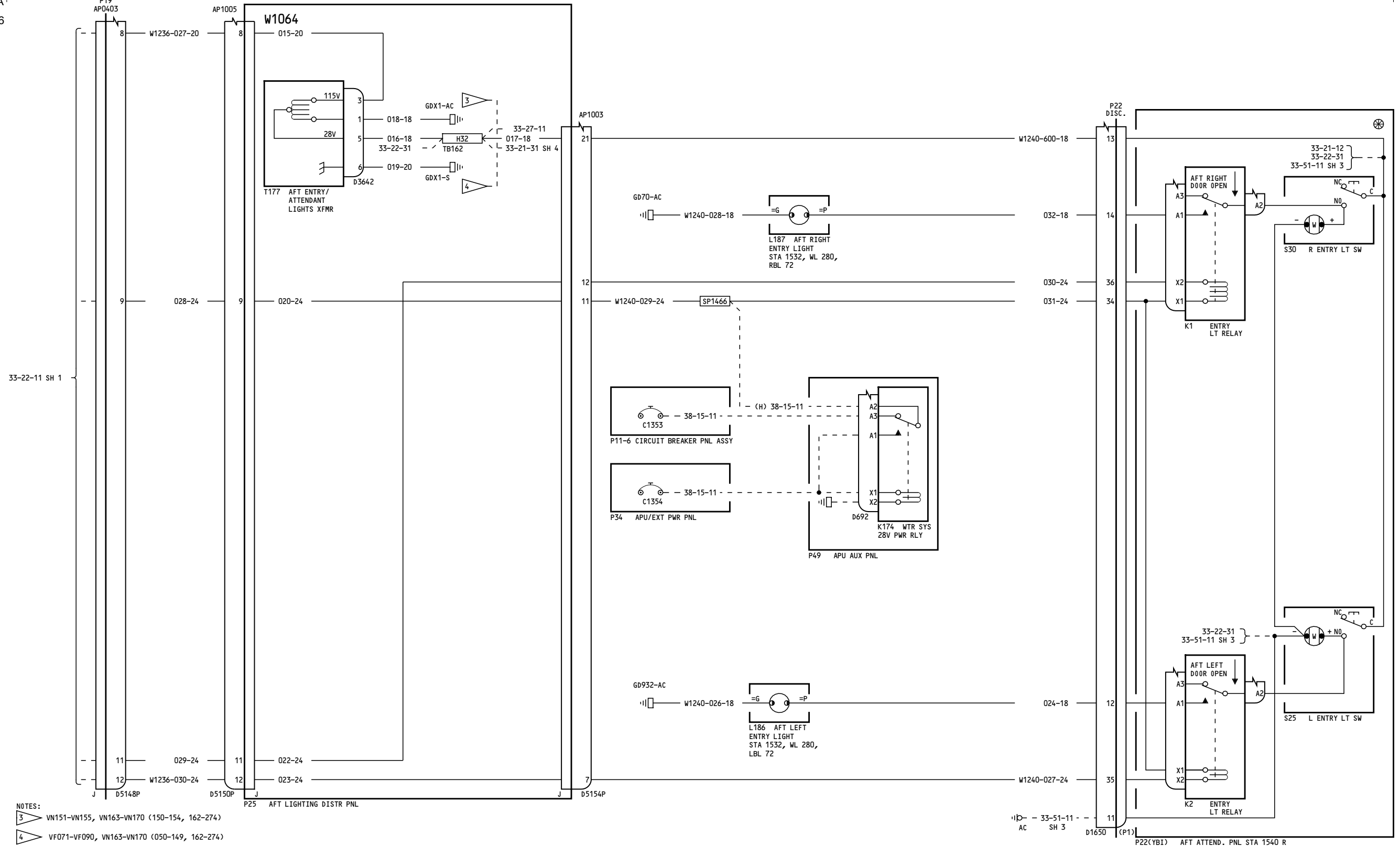
Page 1
Sheet 1
Jan 21/2005

D280T132

33-22-11

Page 1
Sheet 1
Jan 21/2005

-A
36



NOTES:
 3 VN151-VN155, VN163-VN170 (150-154, 162-274)
 4 VF071-VF090, VN163-VN170 (050-149, 162-274)

| | |
|---------------------------|---------------------|
| 050-099, 150-154, 162-165 | ENTRY LIGHTS |
| | D280T132 |

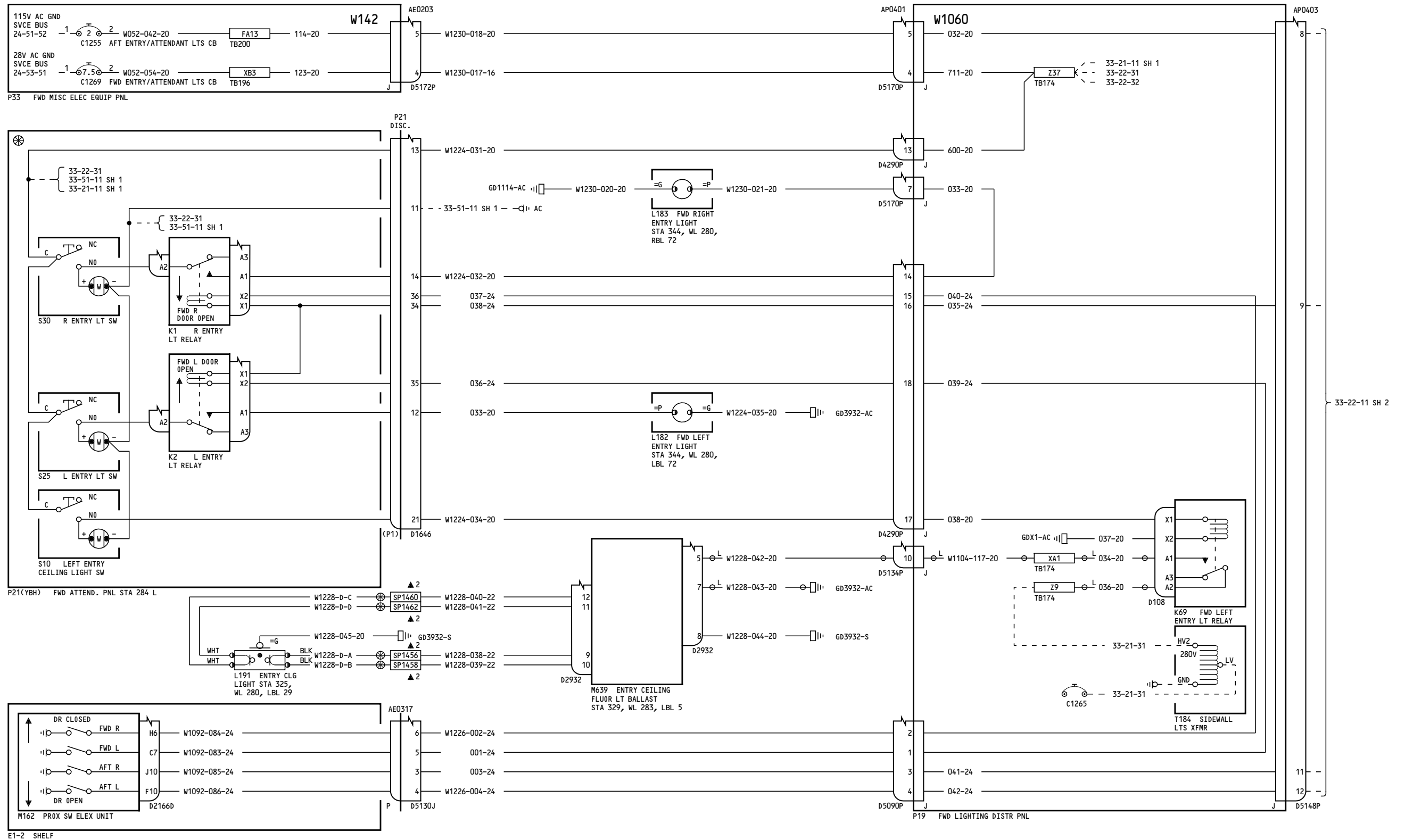
33-22-11

Page 1
Sheet 2
Jan 21/2005

33-22-11

Page 1
Sheet 2
Jan 21/2005

57



155-156, 166

ENTRY LIGHTS

33-22-11

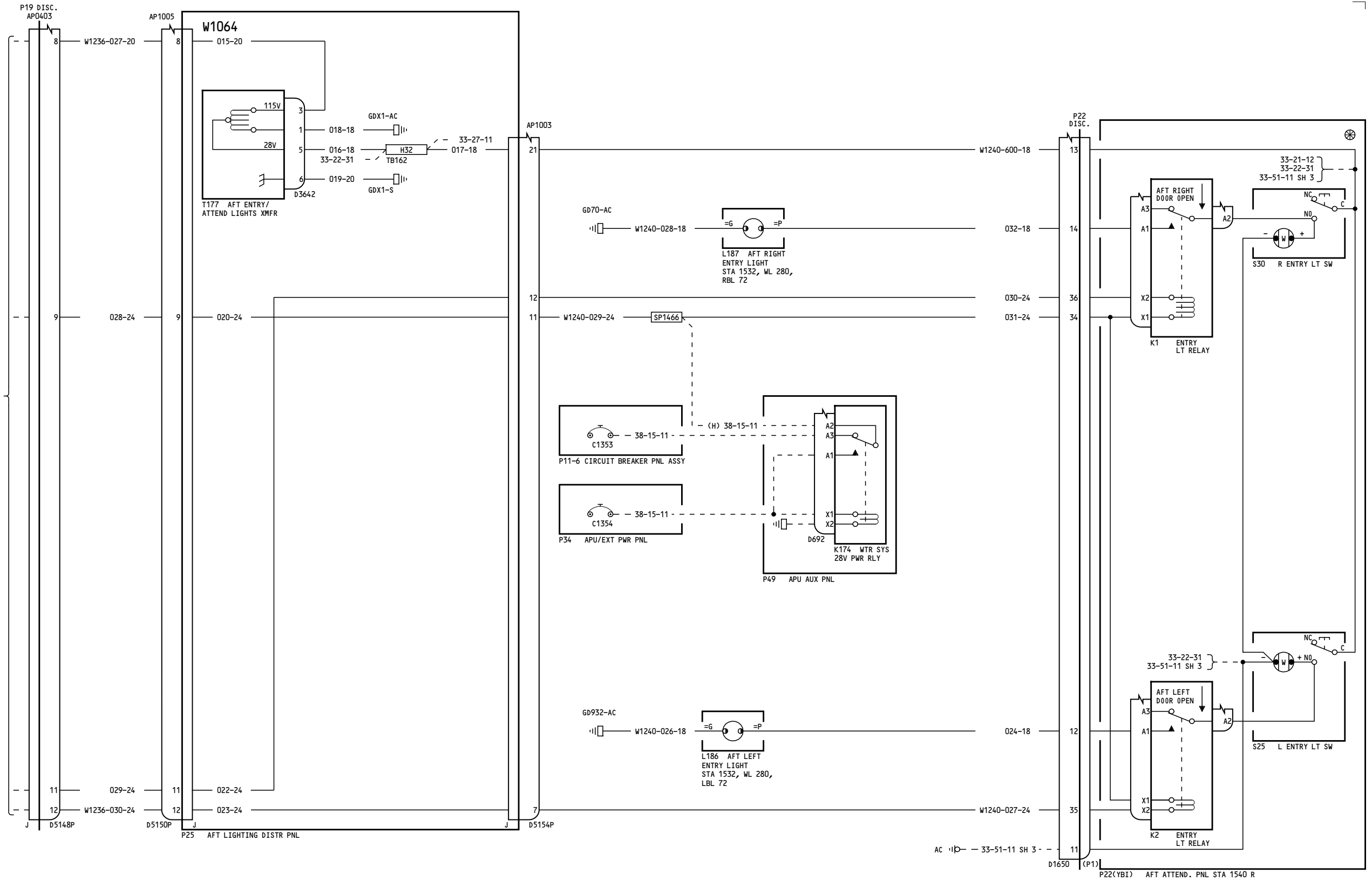
Page 2
Sheet 1
Jan 21/2005

D280T132

33-22-11

Page 2
Sheet 1
Jan 21/2005

33-22-11 SH 1



155-156, 166

ENTRY LIGHTS

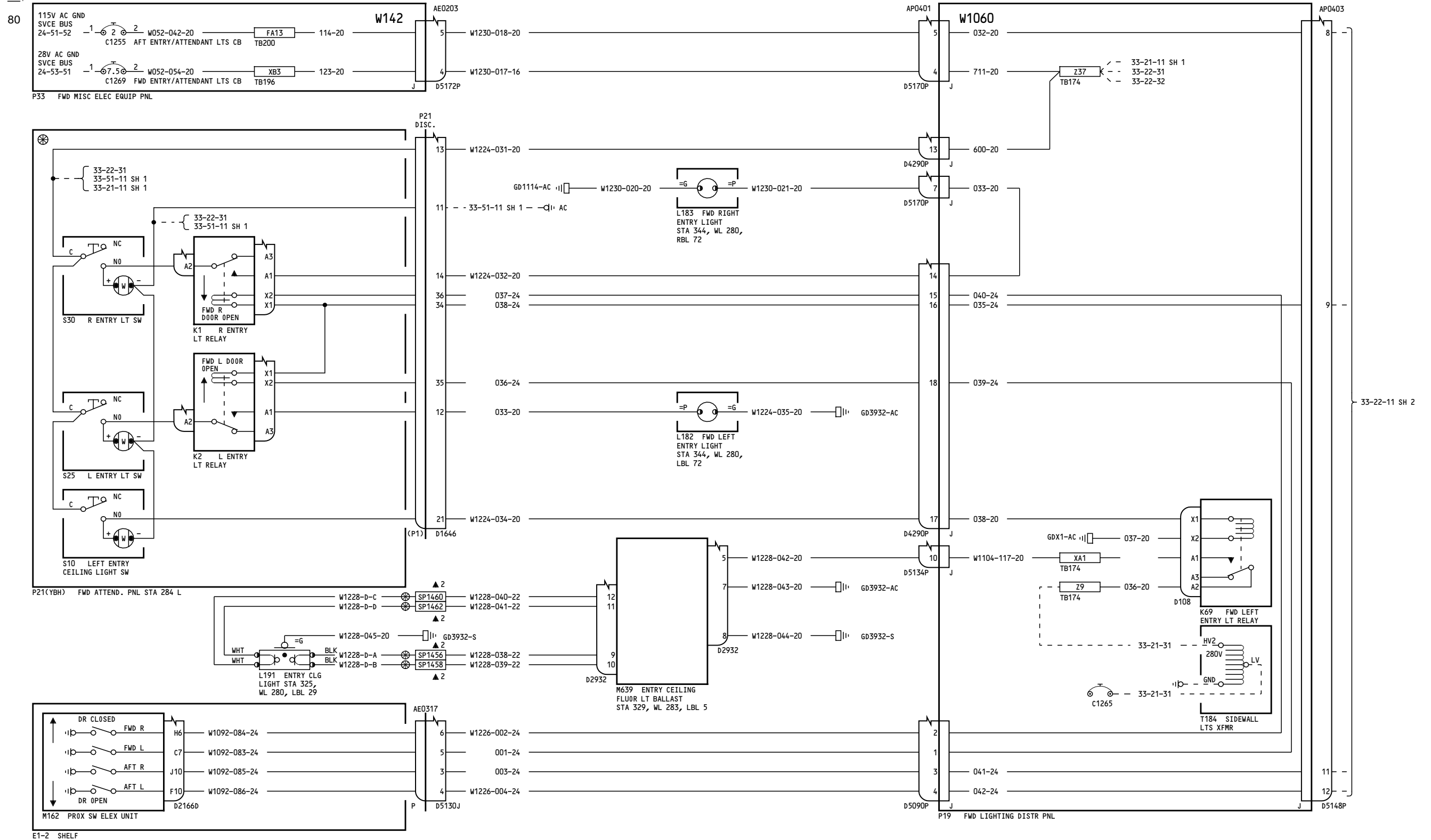
33-22-11

Page 2
Sheet 2
Jan 21/2005

D280T132

33-22-11

Page 2
Sheet 2
Jan 21/2005



157, 167-199

ENTRY LIGHTS

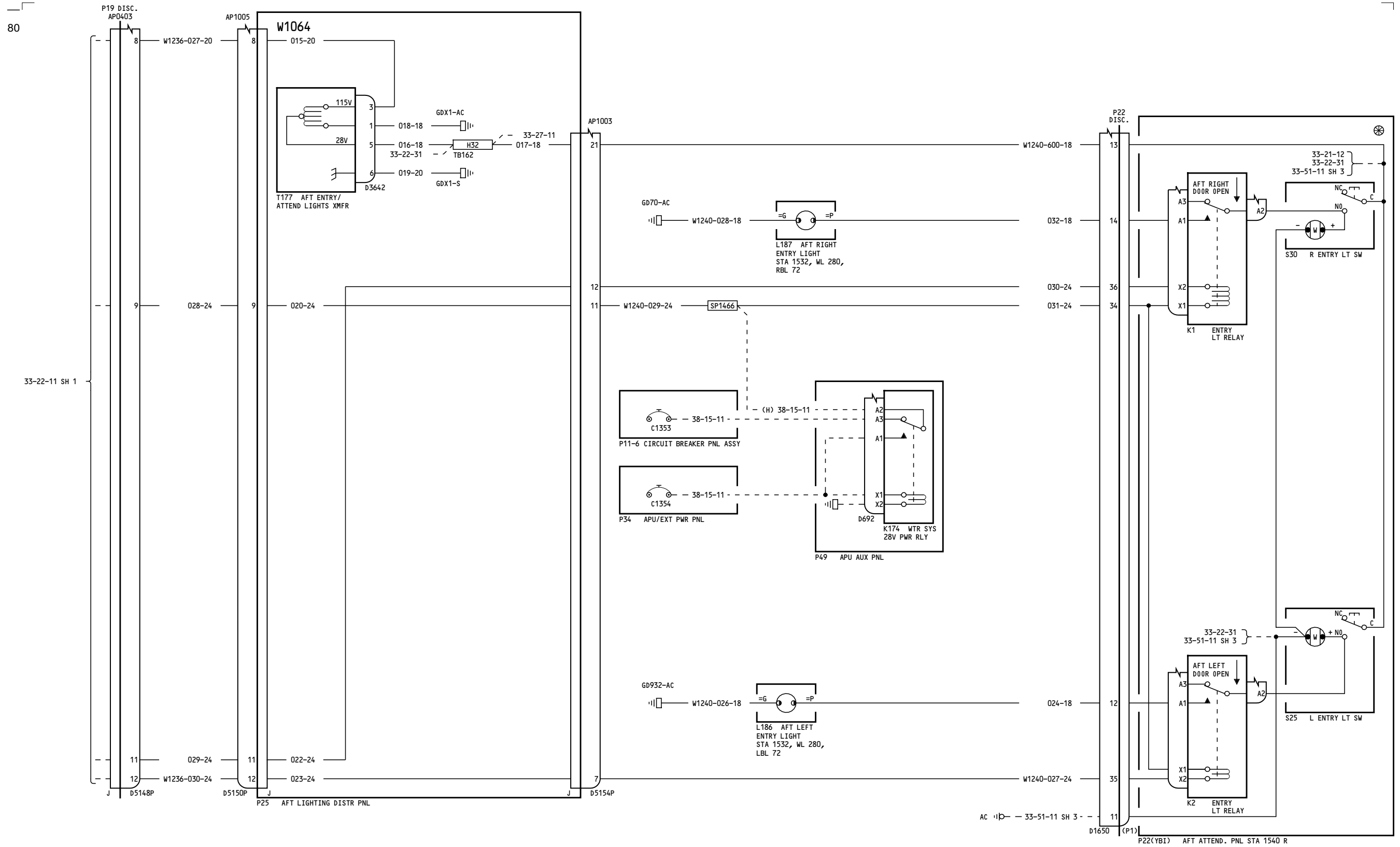
33-22-11

Page 3
Sheet 1
Jan 21/2005

D280T132

33-22-11

Page 3
Sheet 1
Jan 21/2005



157, 167-199

ENTRY LIGHTS

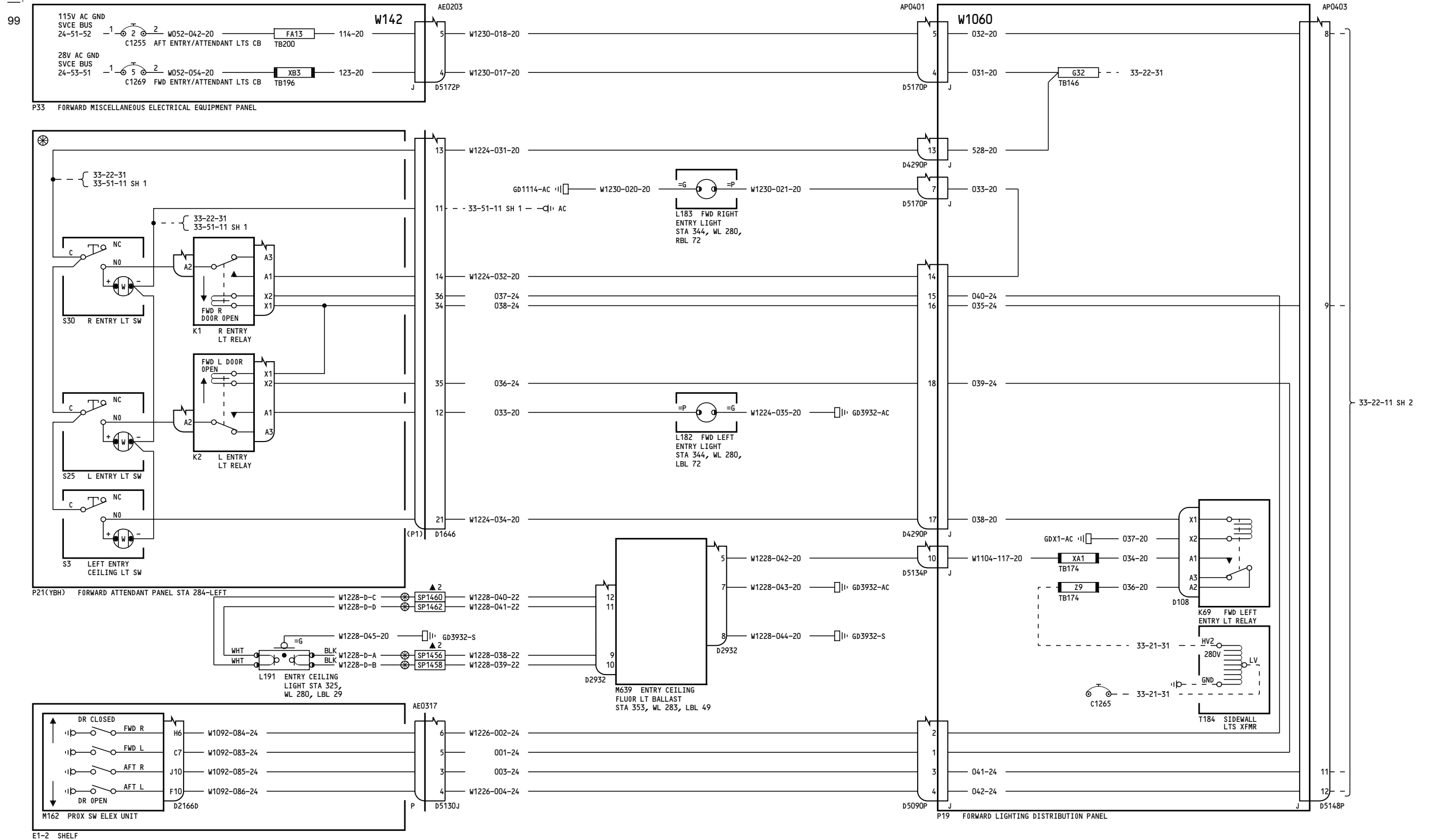
33-22-11

Page 3
Sheet 2
Jan 21/2005

D280T132

33-22-11

Page 3
Sheet 2
Jan 21/2005



275-278

ENTRY LIGHTS

33-22-11

Page 4
Sheet 1
Jan 21/2005

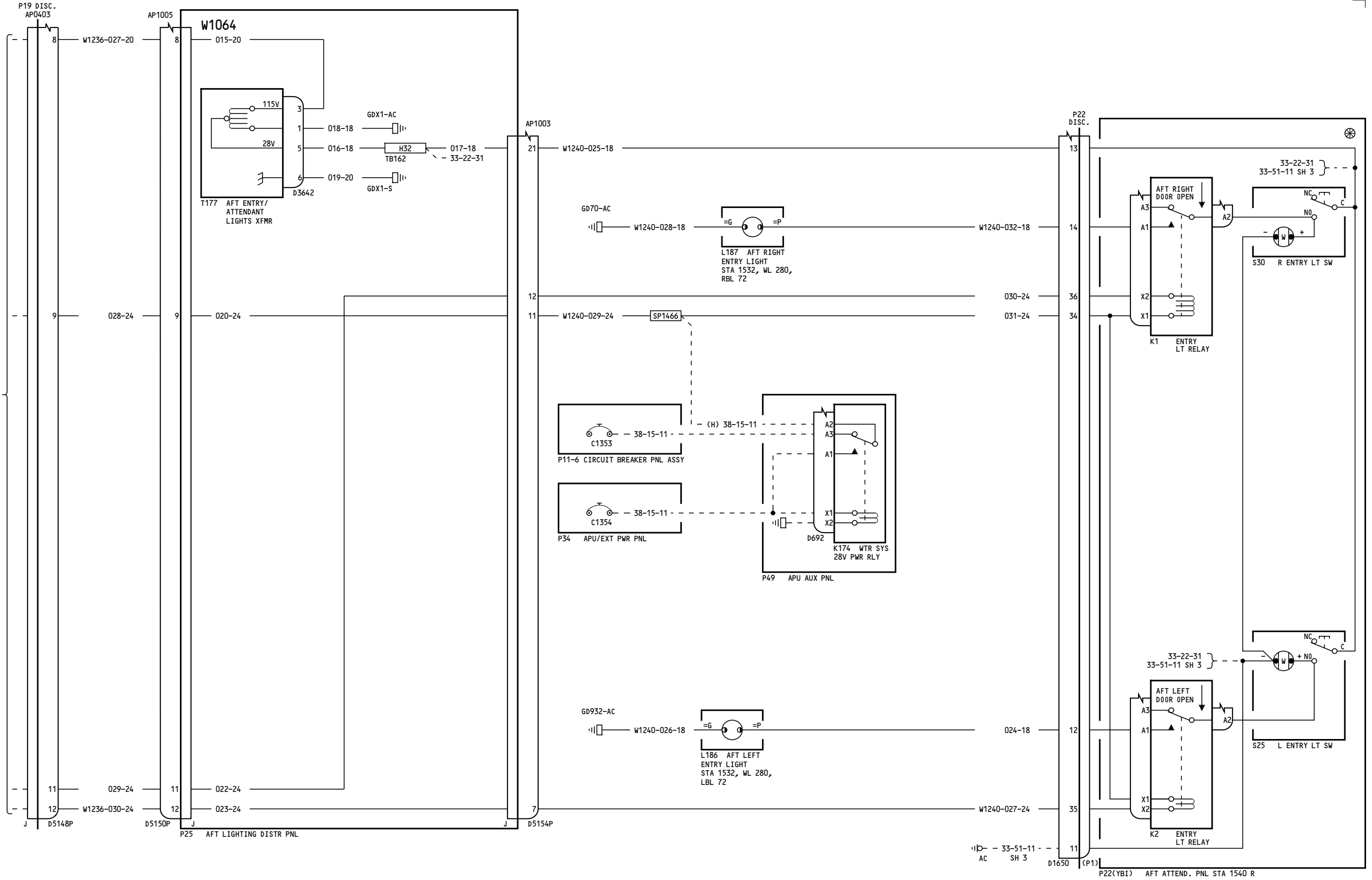
D280T132

33-22-11

Page 4
Sheet 1
Jan 21/2005

38

33-22-11 SH 1



275-278

ENTRY LIGHTS

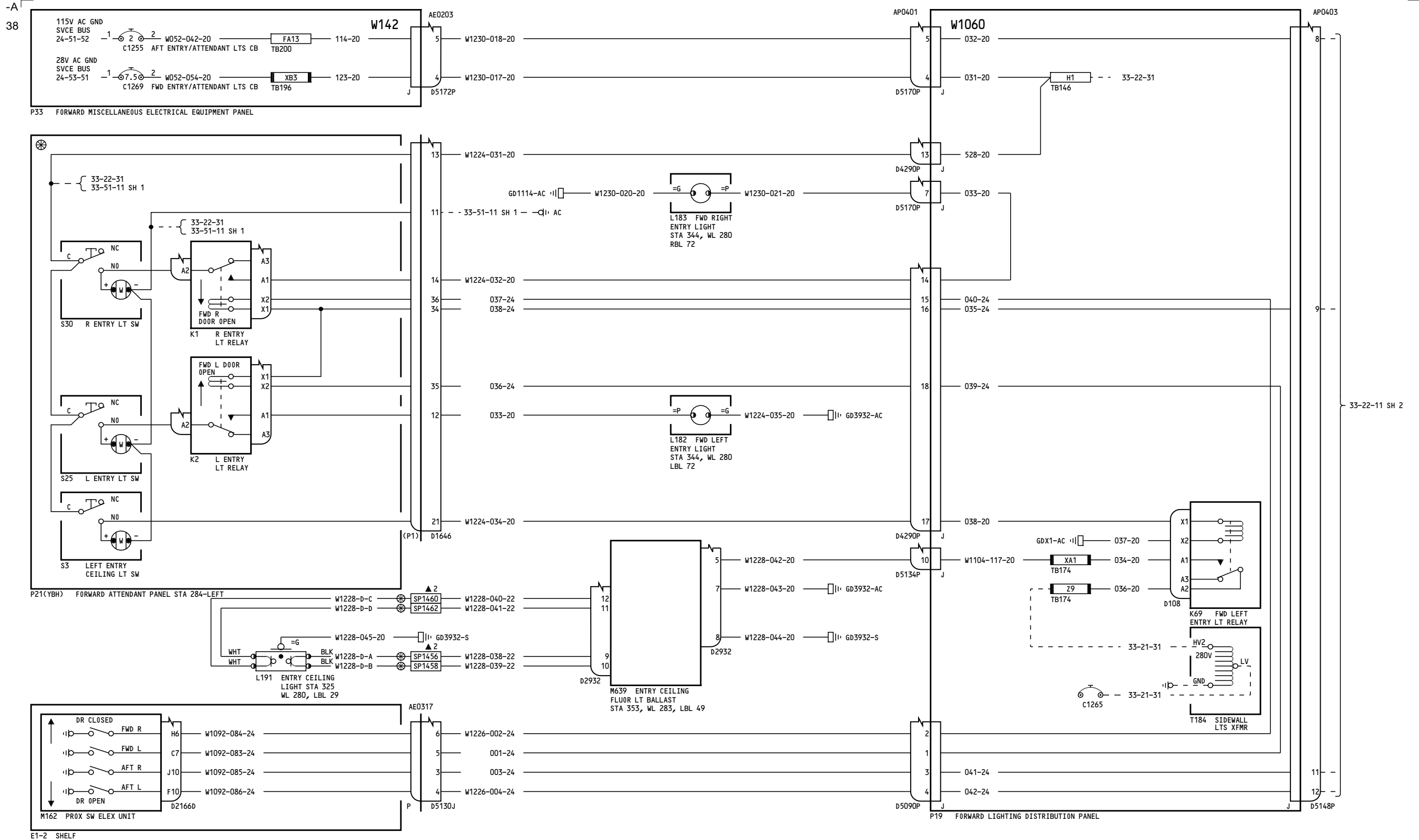
33-22-11

Page 4
Sheet 2
Jan 21/2005

D280T132

33-22-11

Page 4
Sheet 2
Jan 21/2005



280-299

ENTRY LIGHTS

33-22-11

Page 5
Sheet 1
Jan 21/2005

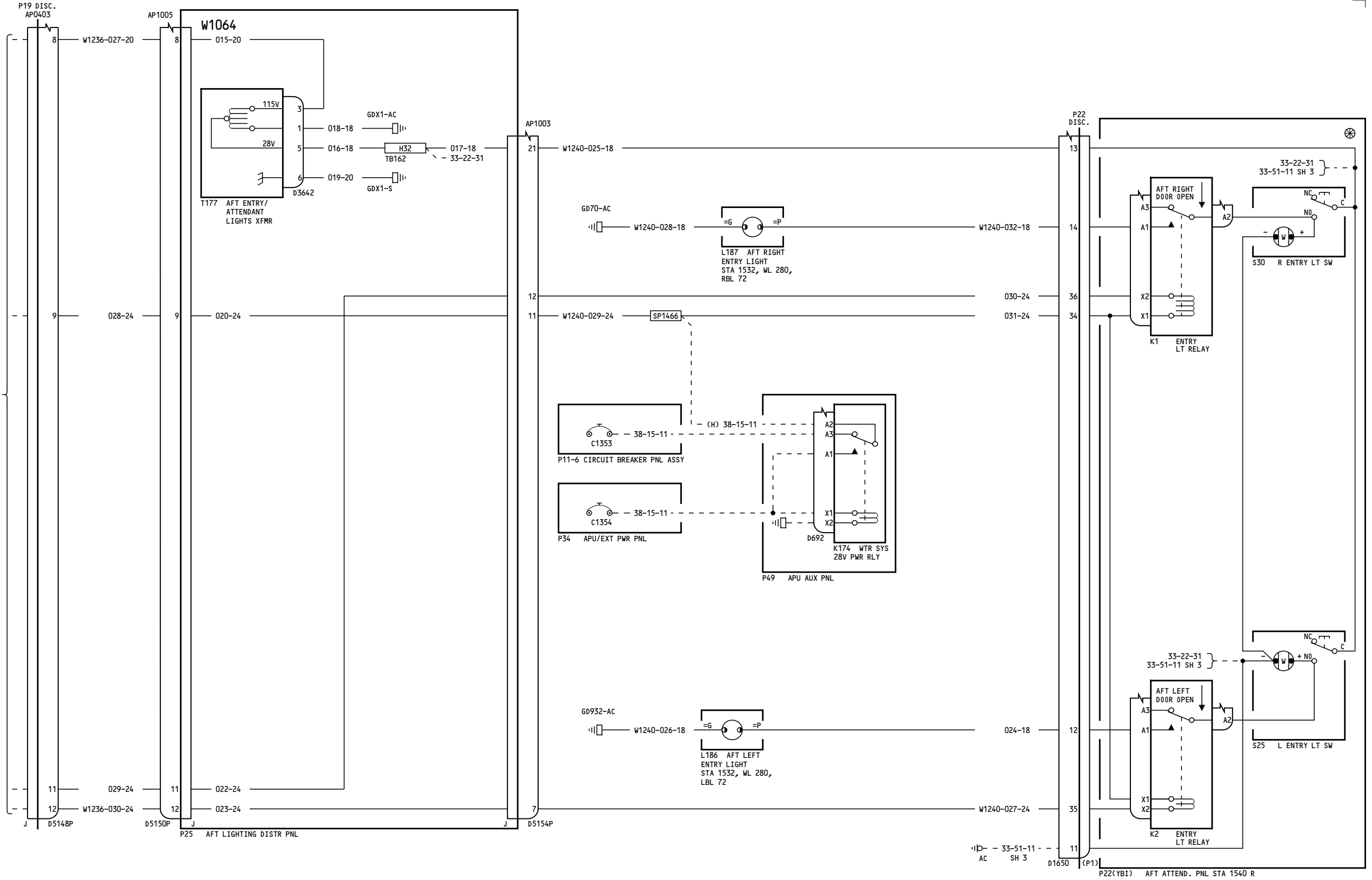
D280T132

33-22-11

Page 5
Sheet 1
Jan 21/2005

38

33-22-11 SH 1



280-299

ENTRY LIGHTS

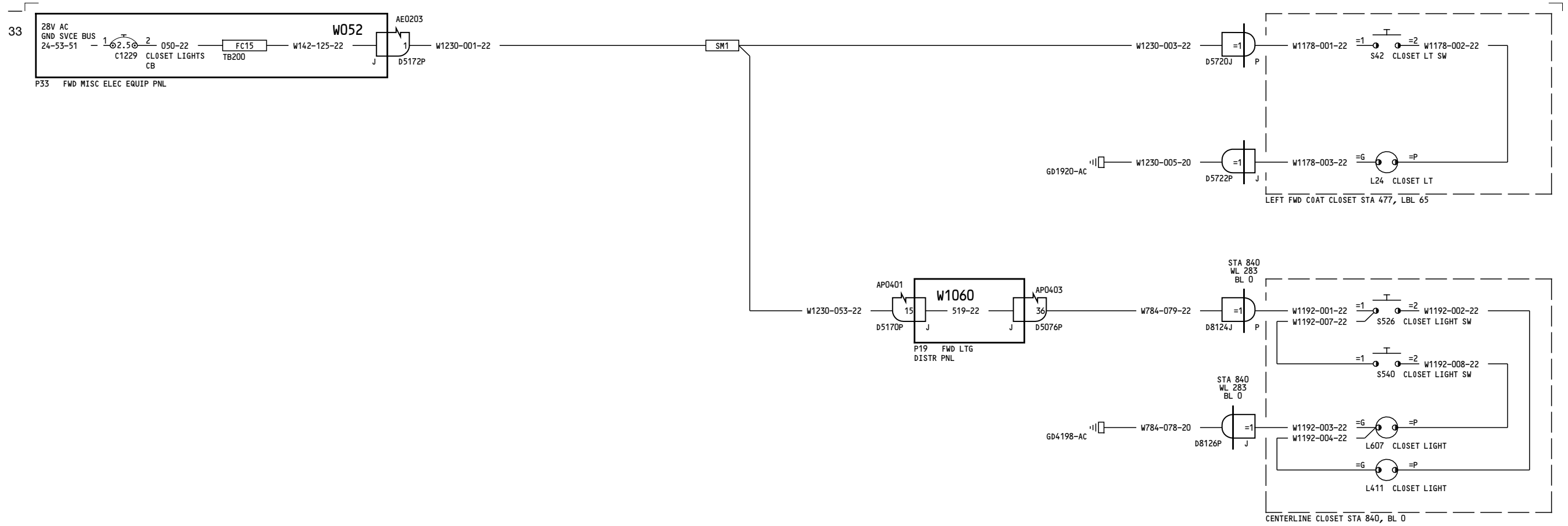
33-22-11

Page 5
Sheet 2
Jan 21/2005

D280T132

33-22-11

Page 5
Sheet 2
Jan 21/2005



050-099

CLOSET LIGHTS

33-22-21

Page 1

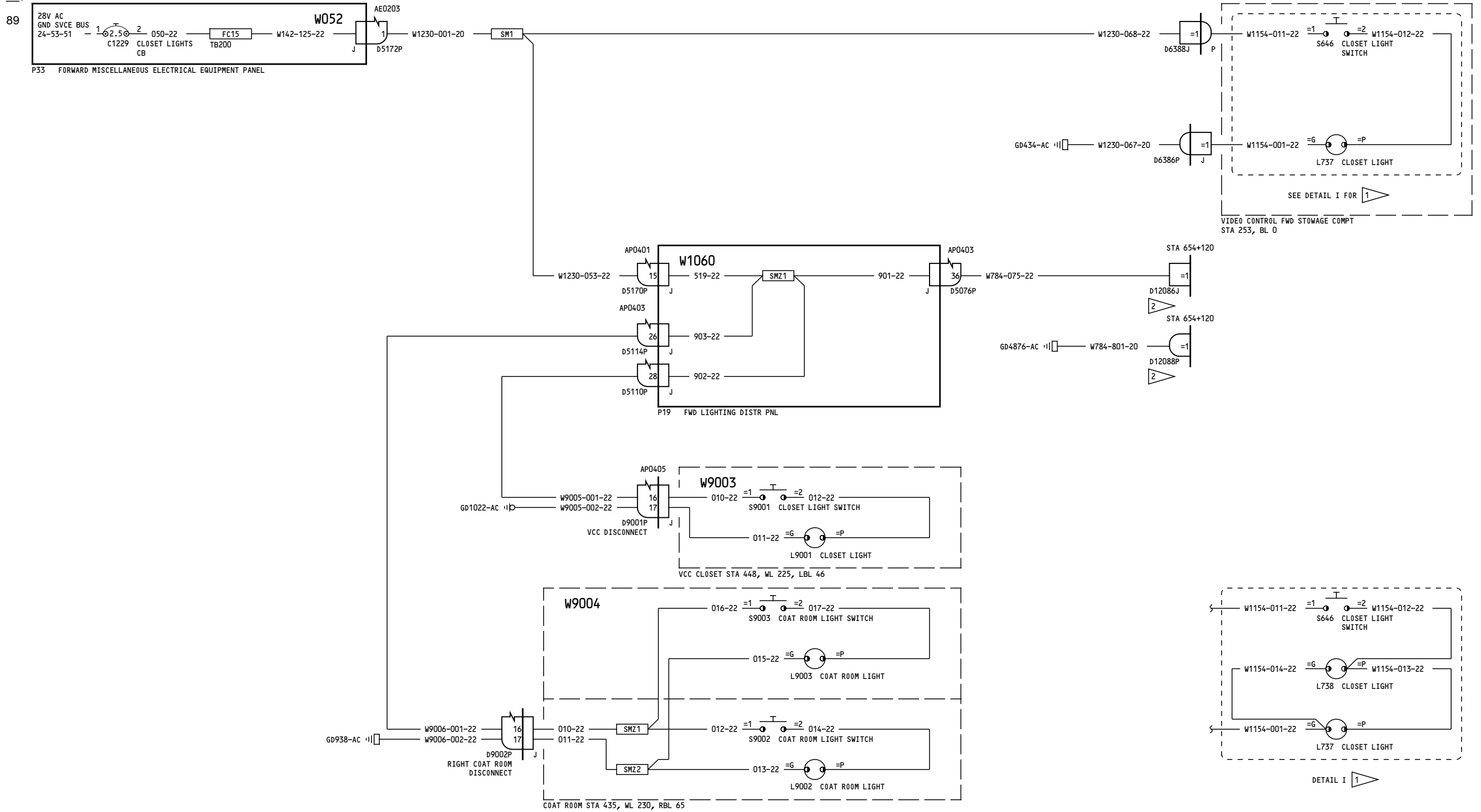
D280T132

Jan 21/2005

33-22-21

Page 1

Jan 21/2005



NOTES:
 1 VN156-VN158 (155-157)
 2 NO CONNECTION CONNECTOR CAPPED

150, 153-157

CLOSET LIGHTS

D280T132

33-22-21

Page 2A

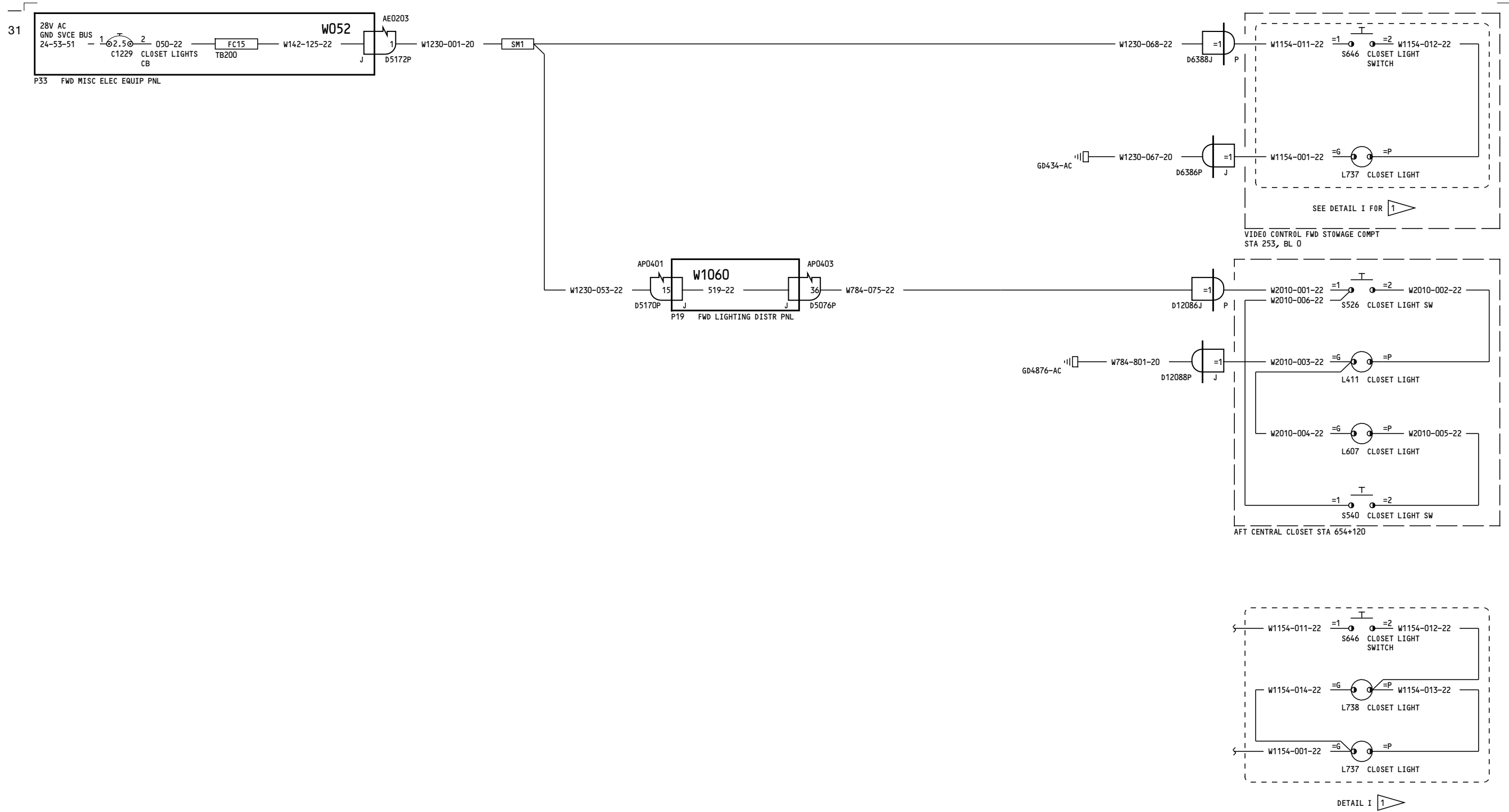
Jan 21/2005

Incorporates
 MTO 330342B

33-22-21

Page 2A

Jan 21/2005



NOTES:
1 VN156-VN162 (155-156)

| | |
|---------|-------------------------------|
| 151-152 | CLOSET LIGHTS D280T132 |
|---------|-------------------------------|

33-22-21

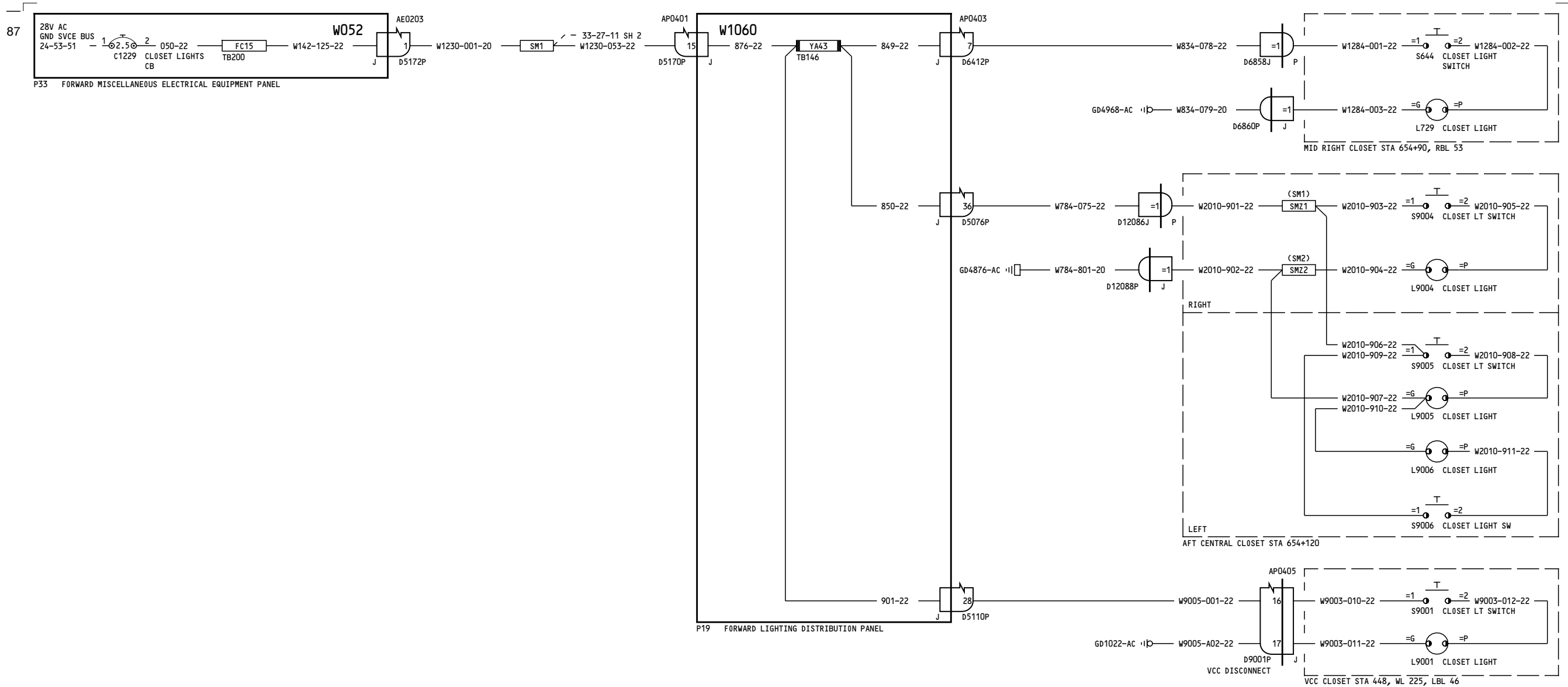
Page 3

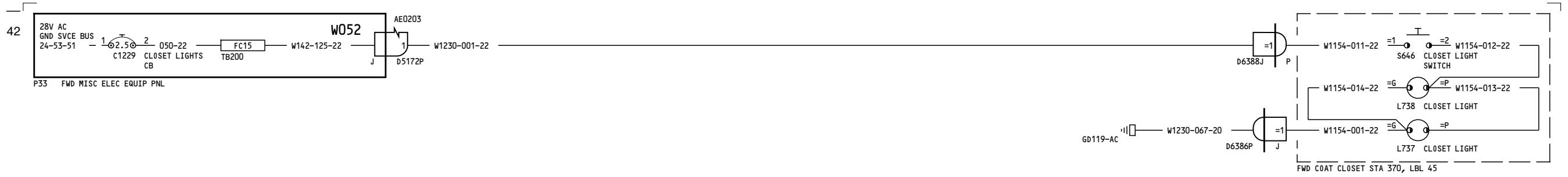
Jan 21/2005

33-22-21

Page 3

Jan 21/2005





275-278

CLOSET LIGHTS

33-22-21

Page 5

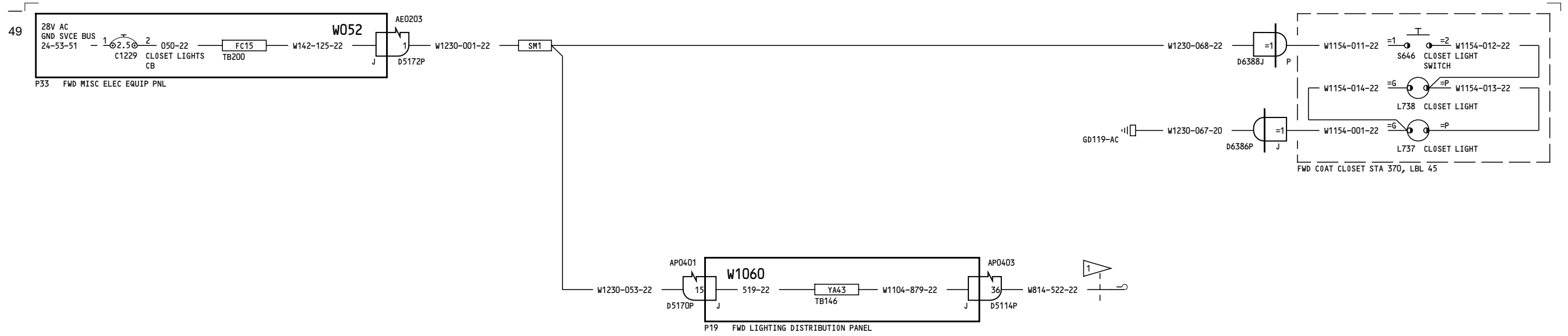
D280T132

Jan 21/2005

33-22-21

Page 5

Jan 21/2005



1 CAP & STOW NEAR STA0654 L

| | |
|---------|---------------------------------------------------------------------------|
| 280-299 | <p align="center">CLOSET LIGHTS</p> <p align="center">D280T132</p> |
|---------|---------------------------------------------------------------------------|

33-22-21

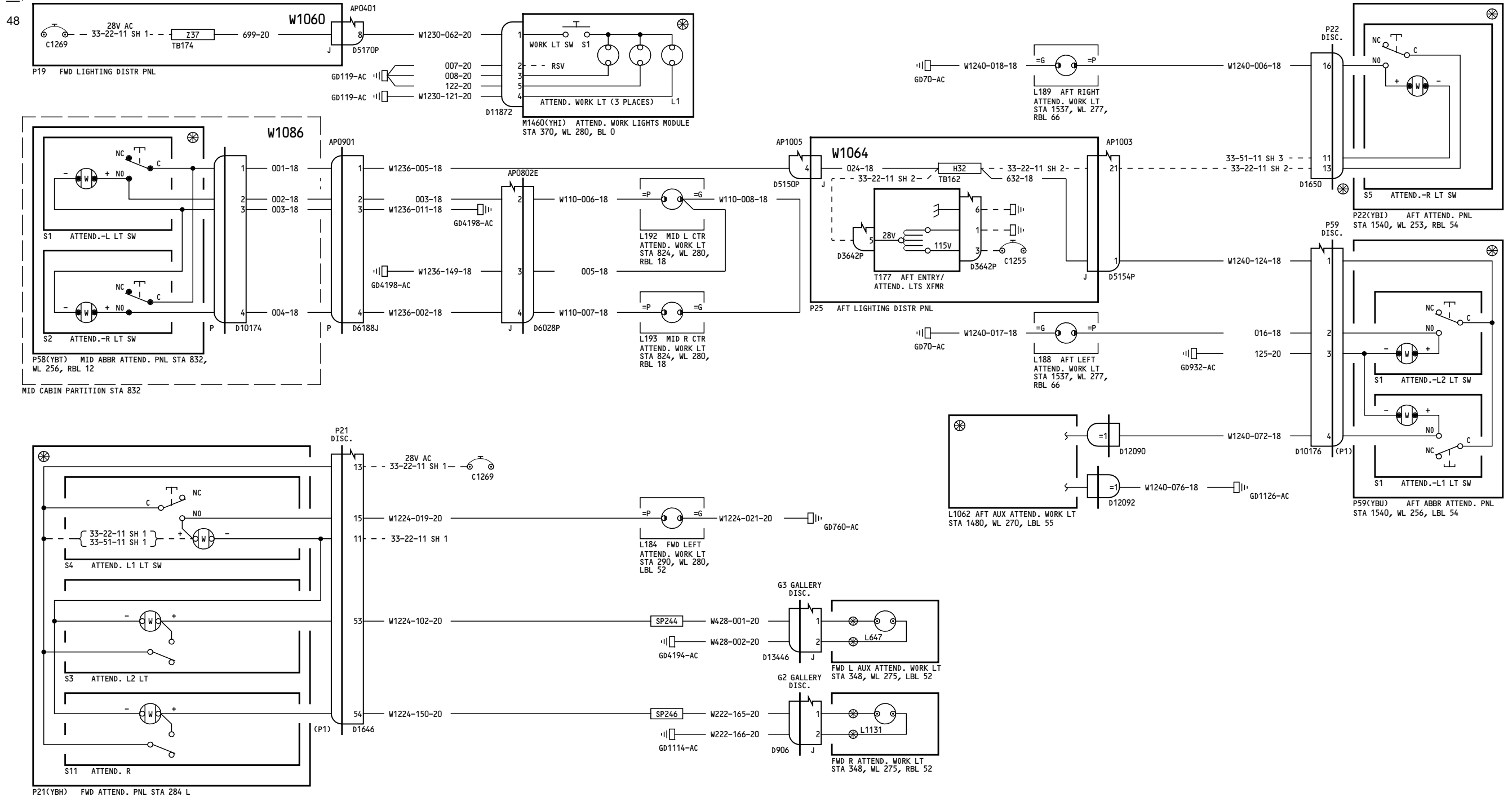
Page 6

Jan 21/2005

33-22-21

Page 6

Jan 21/2005



050-099

ATTENDANTS LIGHTS

33-22-31

Page 1

D280T132

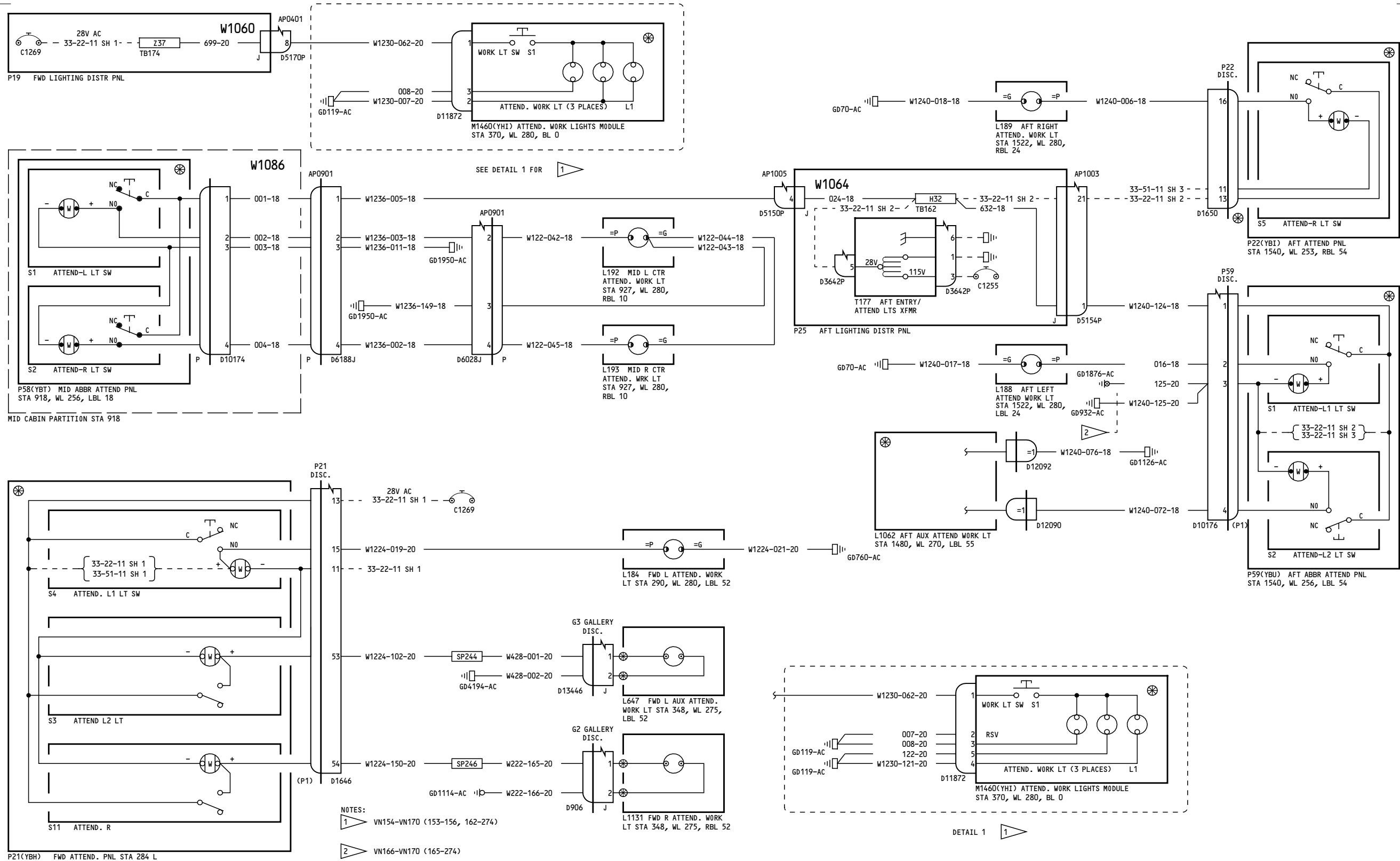
Jan 21/2005

33-22-31

Page 1

Jan 21/2005

42



150-199

ATTENDANTS LIGHTS

33-22-31

Page 2

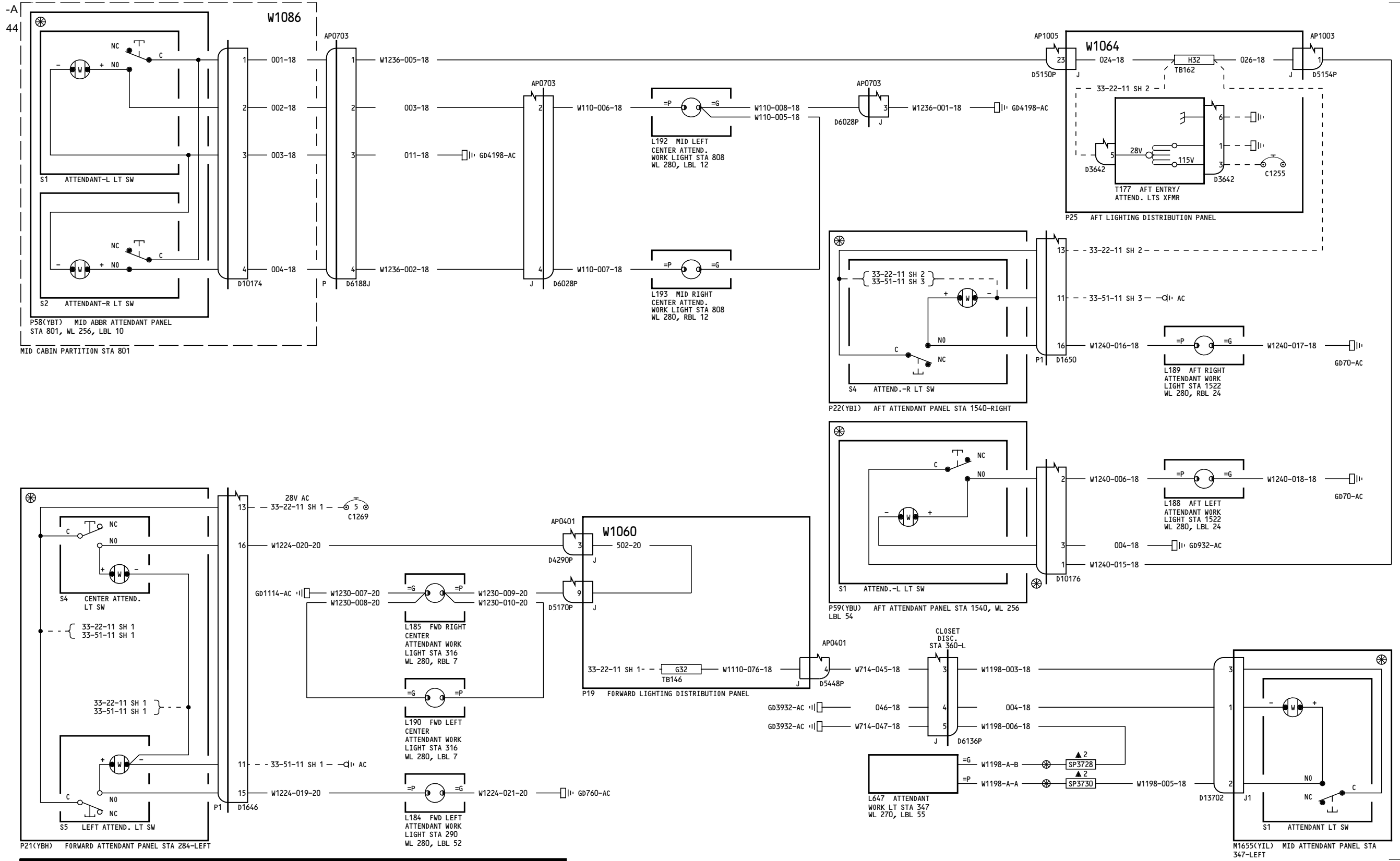
D280T132

Jan 21/2005

33-22-31

Page 2

Jan 21/2005



275-278

ATTENDANTS LIGHTS

33-22-31

Page 3

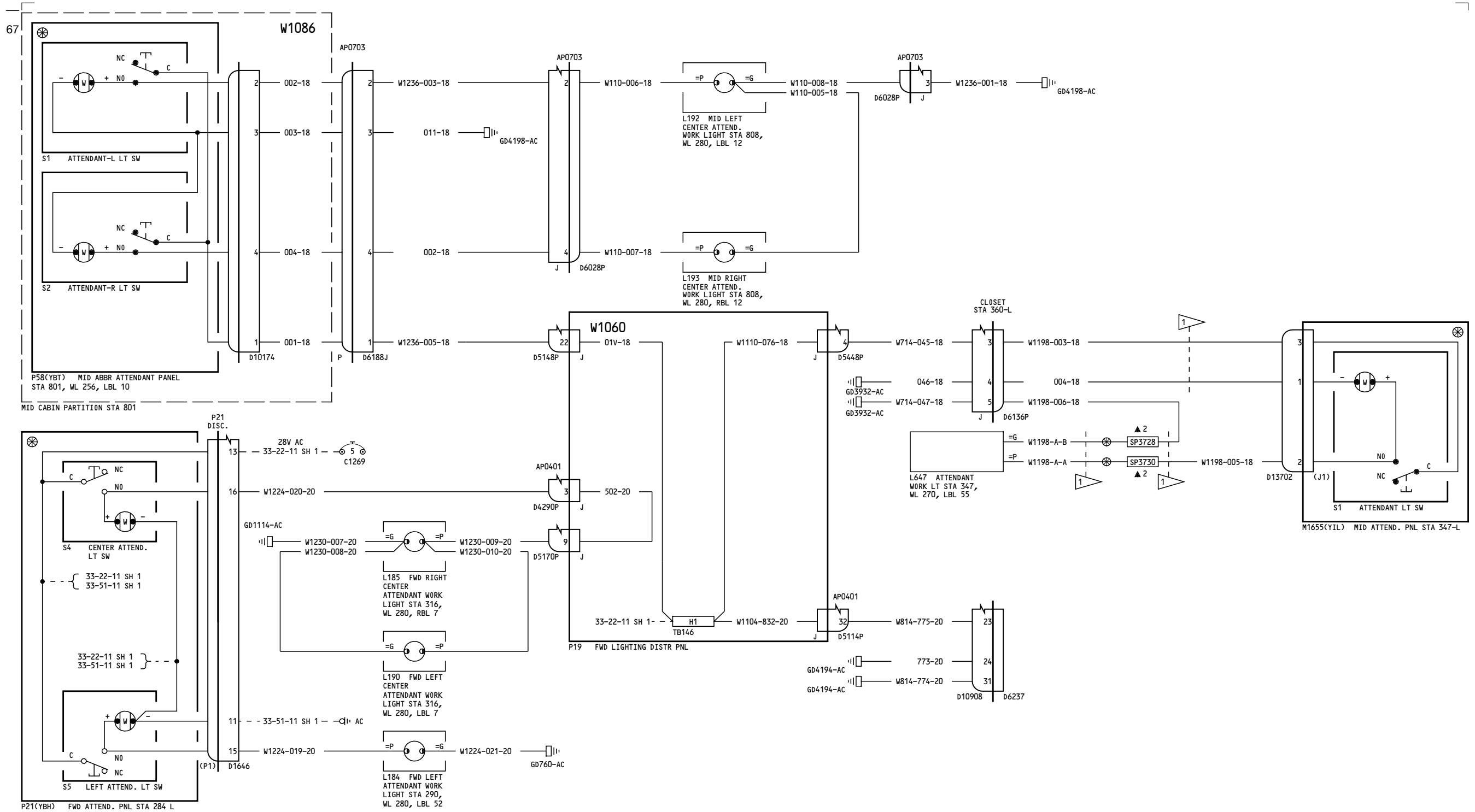
Jan 21/2005

D280T132

33-22-31

Page 3

Jan 21/2005

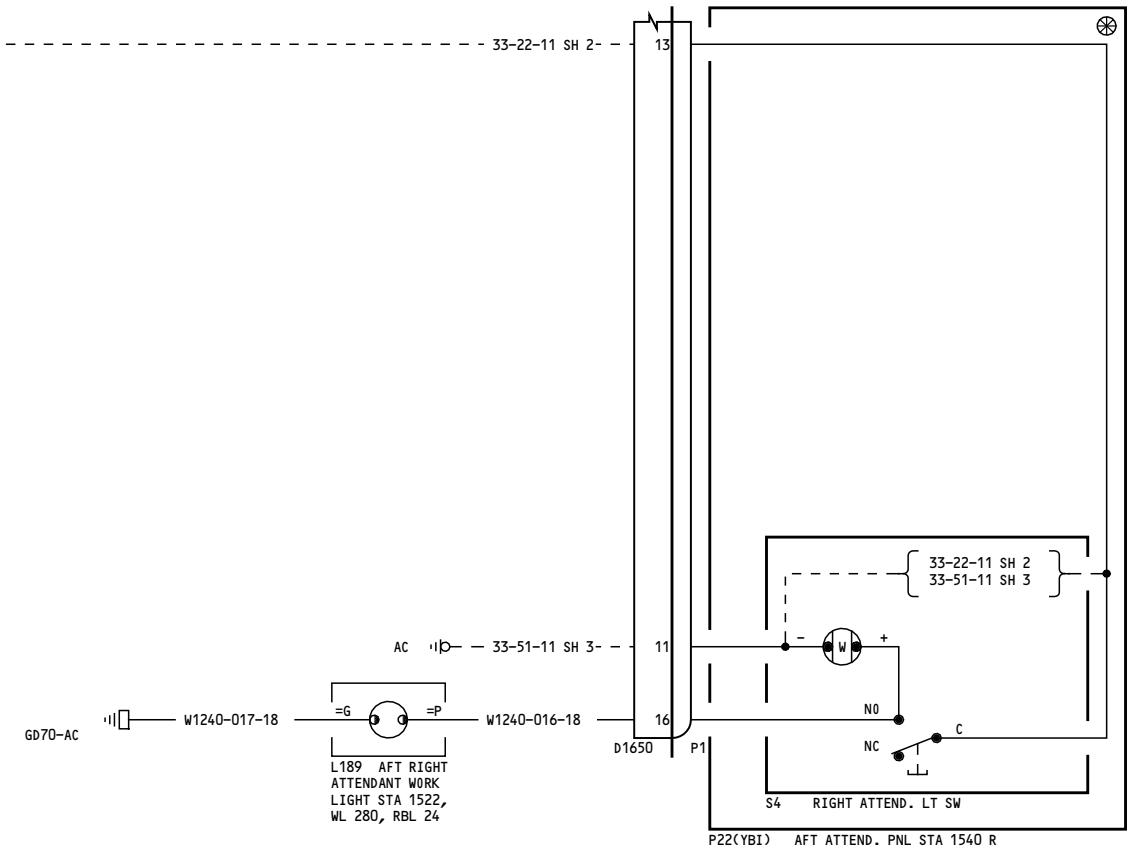
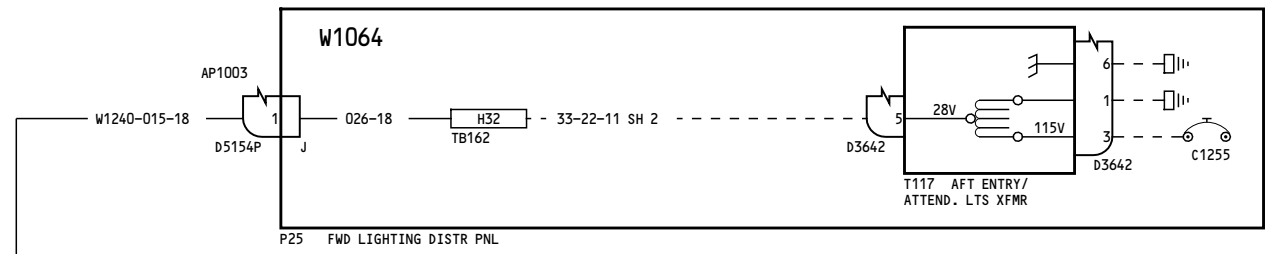
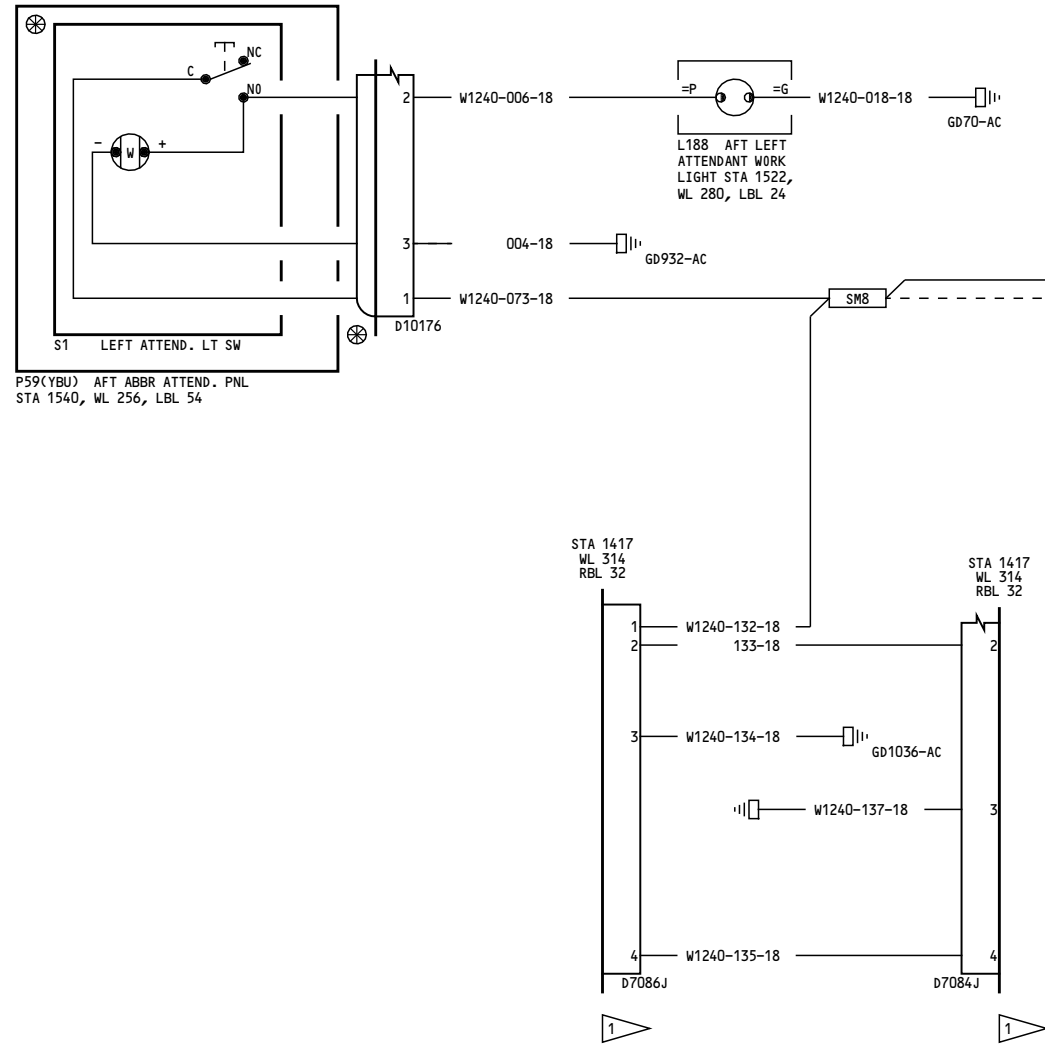


NOTES:
 1 W1198 NOT INSTALLED DURING DELIVERY

| | |
|---------|---------------------------------------------------------------------------------------------------------|
| 280-299 | ATTENDANTS LIGHTS 33-22-31 Page 4 Sheet 1 Jan 21/2005 D280T132 |
|---------|---------------------------------------------------------------------------------------------------------|

33-22-31

 Page 4
 Sheet 1
 Jan 21/2005



NOTES:
1 CAP & STOW CONNECTOR

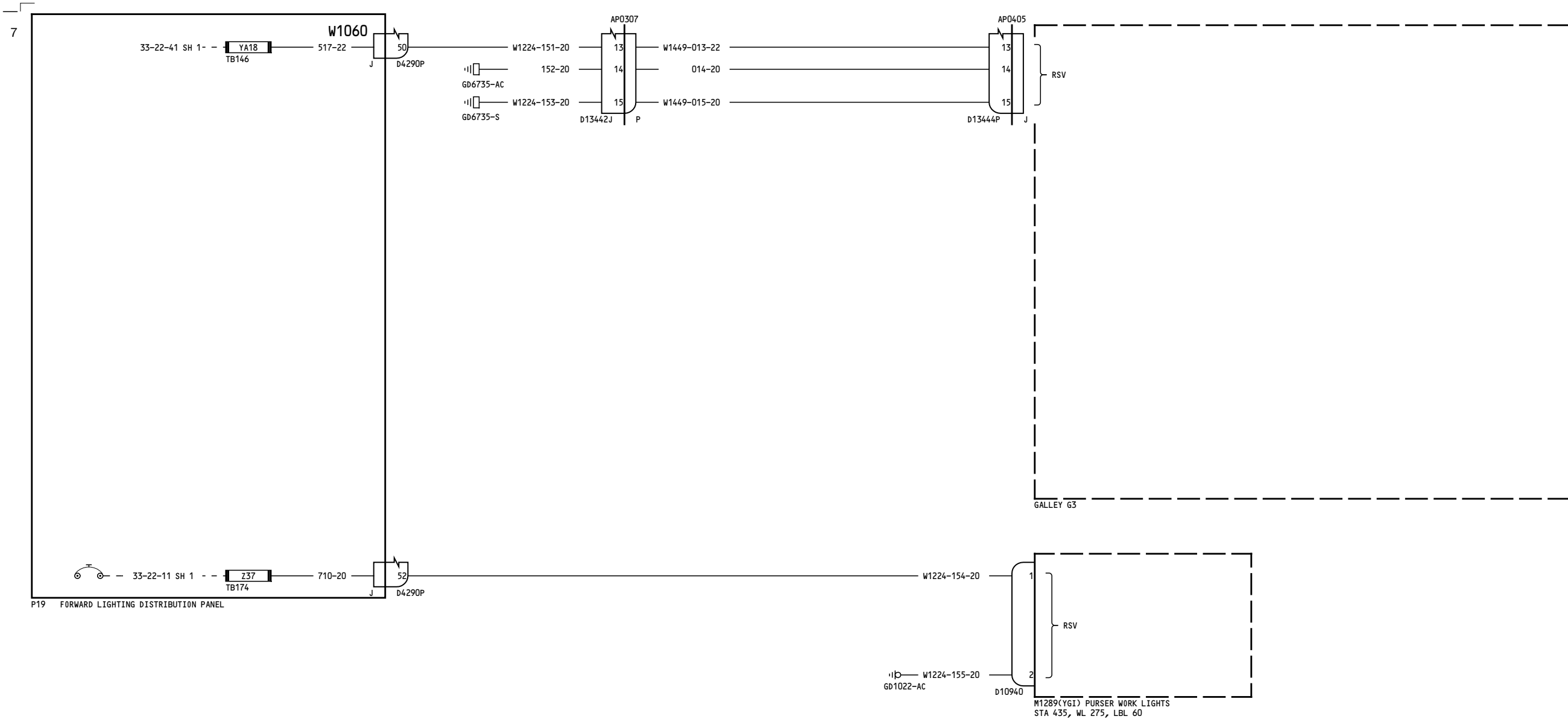
| | |
|---------|-----------------------------------|
| 280-299 | ATTENDANTS LIGHTS D280T132 |
|---------|-----------------------------------|

33-22-31

Page 4
Sheet 2
Jan 21/2005

33-22-31

Page 4
Sheet 2
Jan 21/2005



050-051

PURSER LIGHTS

33-22-32

Page 1A

D280T132

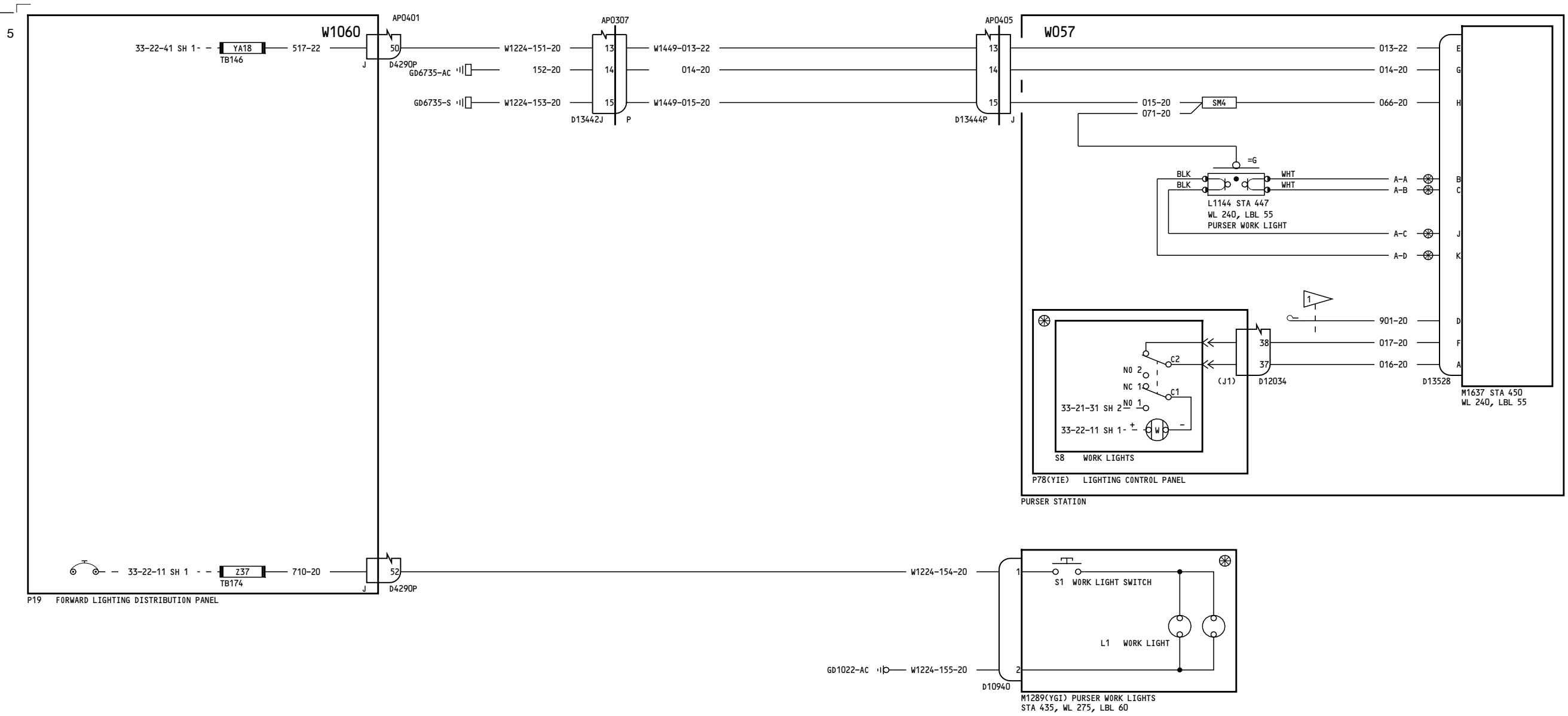
Jan 21/2005

Incorporates
MTO 230540

33-22-32

Page 1A

Jan 21/2005



NOTES:
1 CAP & STOW NEAR D12034

150, 153-157

PURSER LIGHTS

D280T132

33-22-32

Page 2A

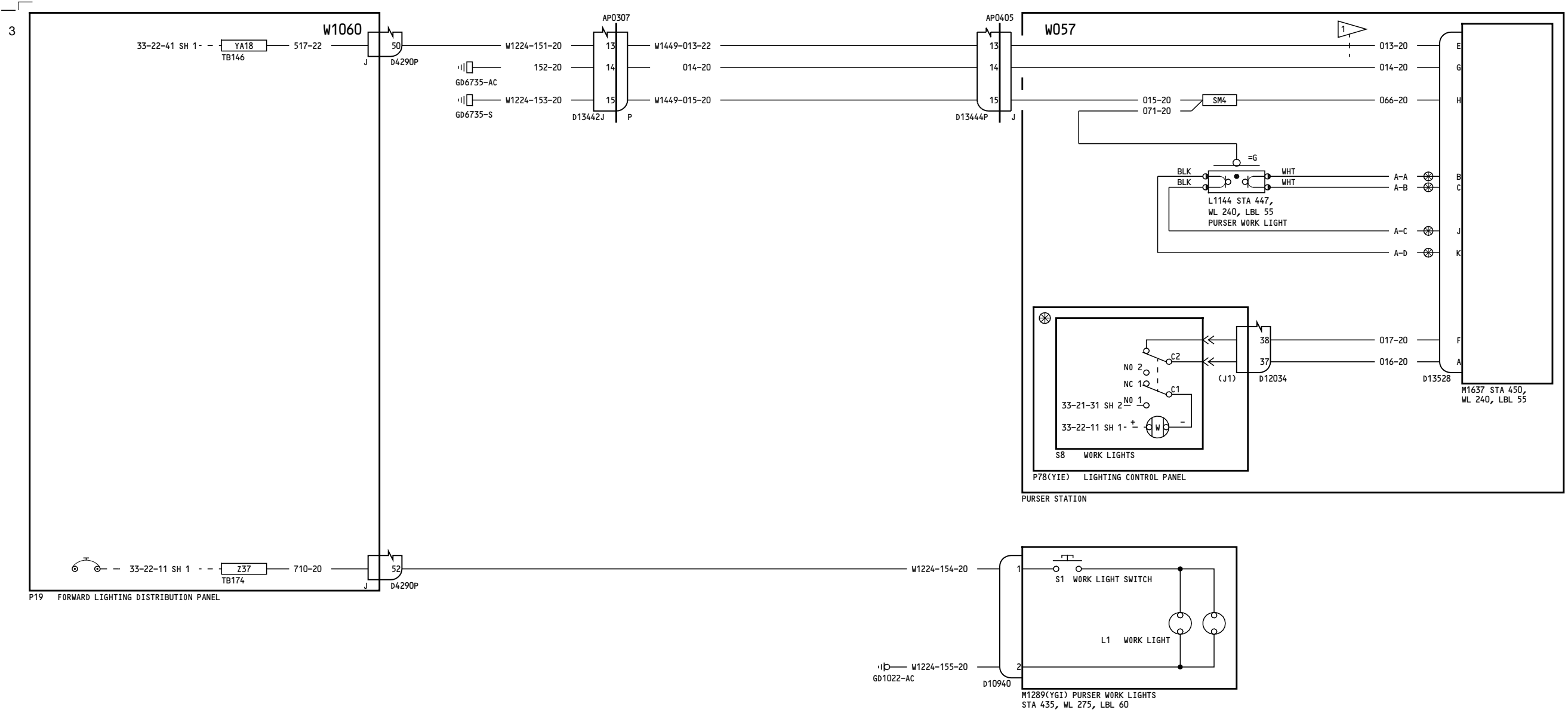
Jan 21/2005

Incorporates
MTO 330342B

33-22-32

Page 2A

Jan 21/2005

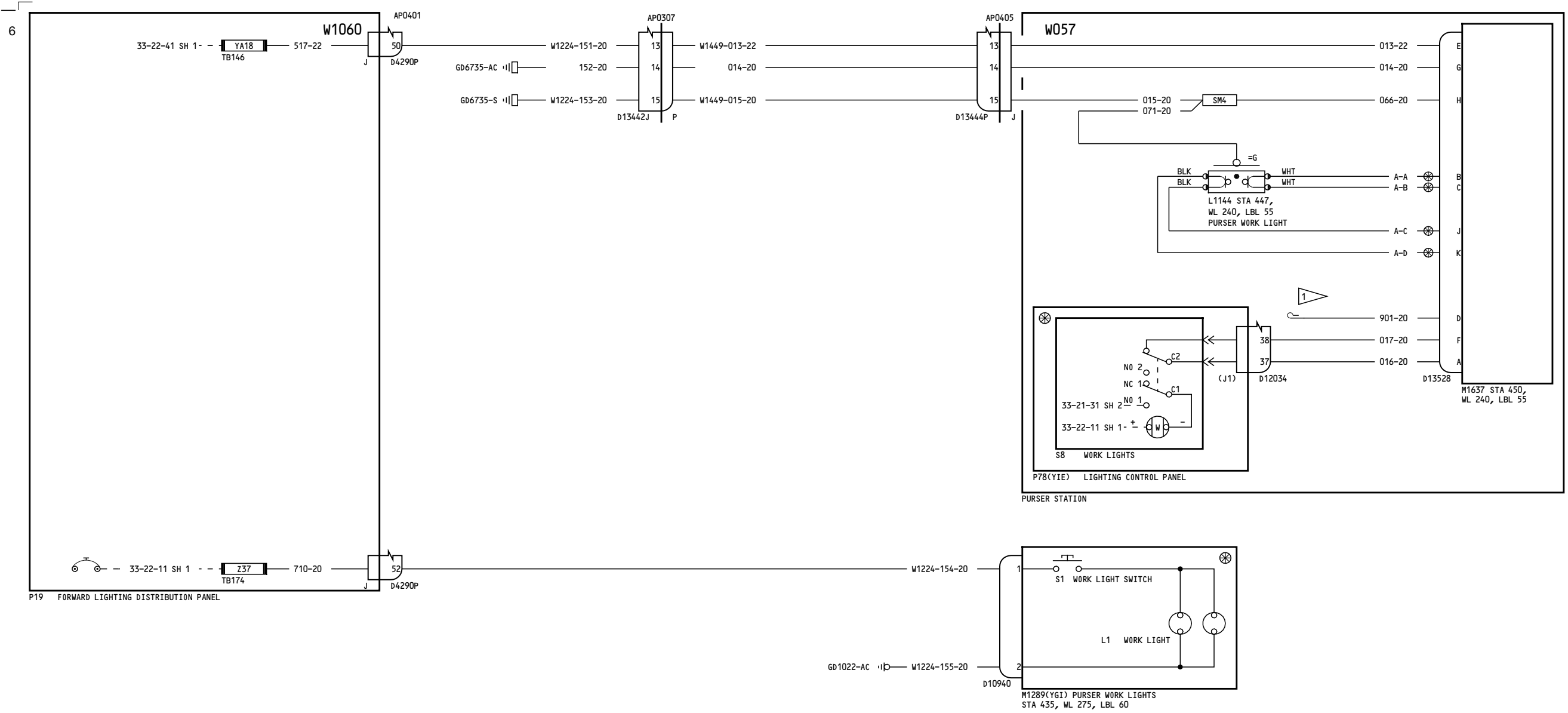


NOTES:
 1 22 GAGE FOR VN151-VN170

| | |
|---------|---------------------------------------------------------------------------|
| 151-152 | <p align="center">PURSER LIGHTS</p> <p align="center">D280T132</p> |
|---------|---------------------------------------------------------------------------|

33-22-32
 Page 3
 Jan 21/2005

33-22-32
 Page 3
 Jan 21/2005



1 CAP & STOW NEAR D12034

| | |
|---------|---------------------------------------------------------------------------|
| 162-167 | <p align="center">PURSER LIGHTS</p> <p align="center">D280T132</p> |
|---------|---------------------------------------------------------------------------|

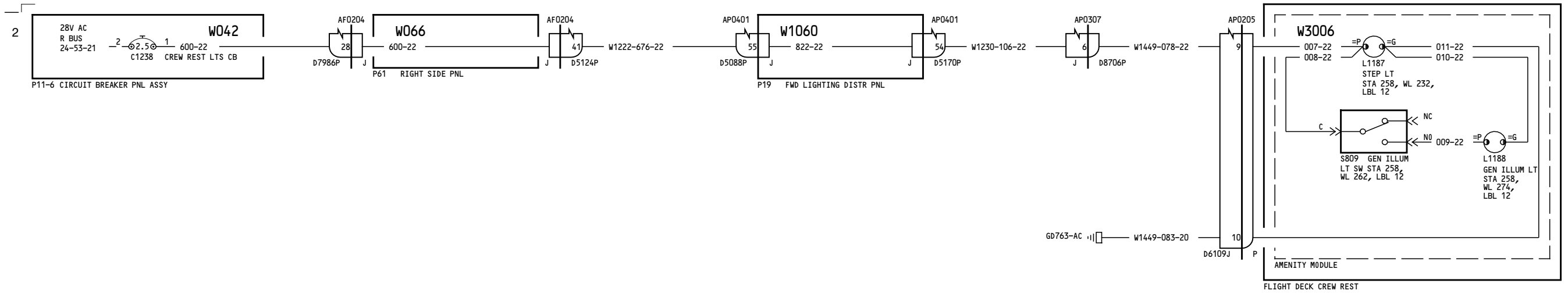
33-22-32

Page 4A
Jan 21/2005

Incorporates
MTO 330348

33-22-32

Page 4A
Jan 21/2005



050-099, 162-199

CREW REST LIGHTS

33-22-33

Page 1

D280T132

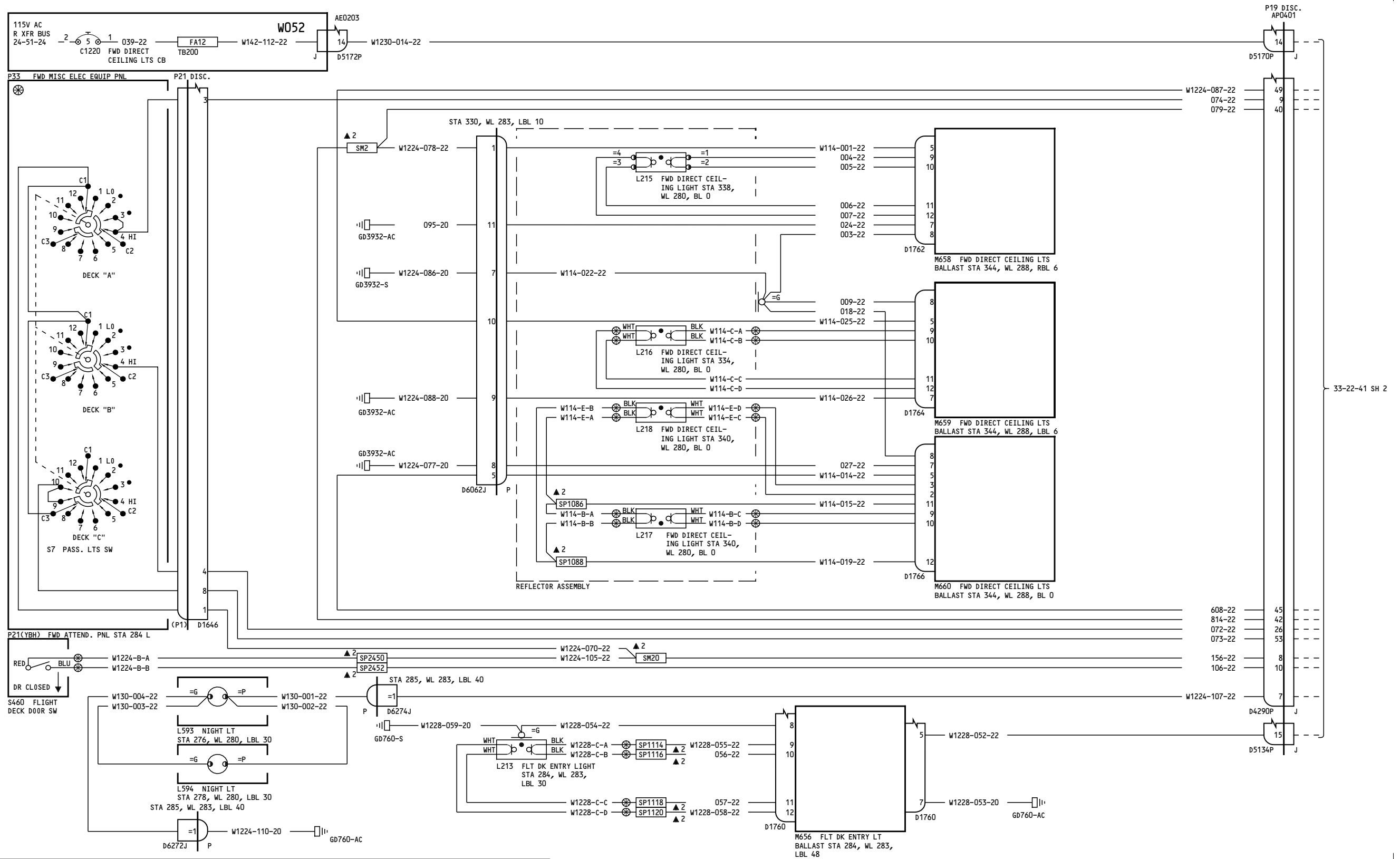
Jan 21/2005

33-22-33

Page 1

Jan 21/2005

42



050-099

**CEILING LIGHTS-
FORWARD DIRECT**

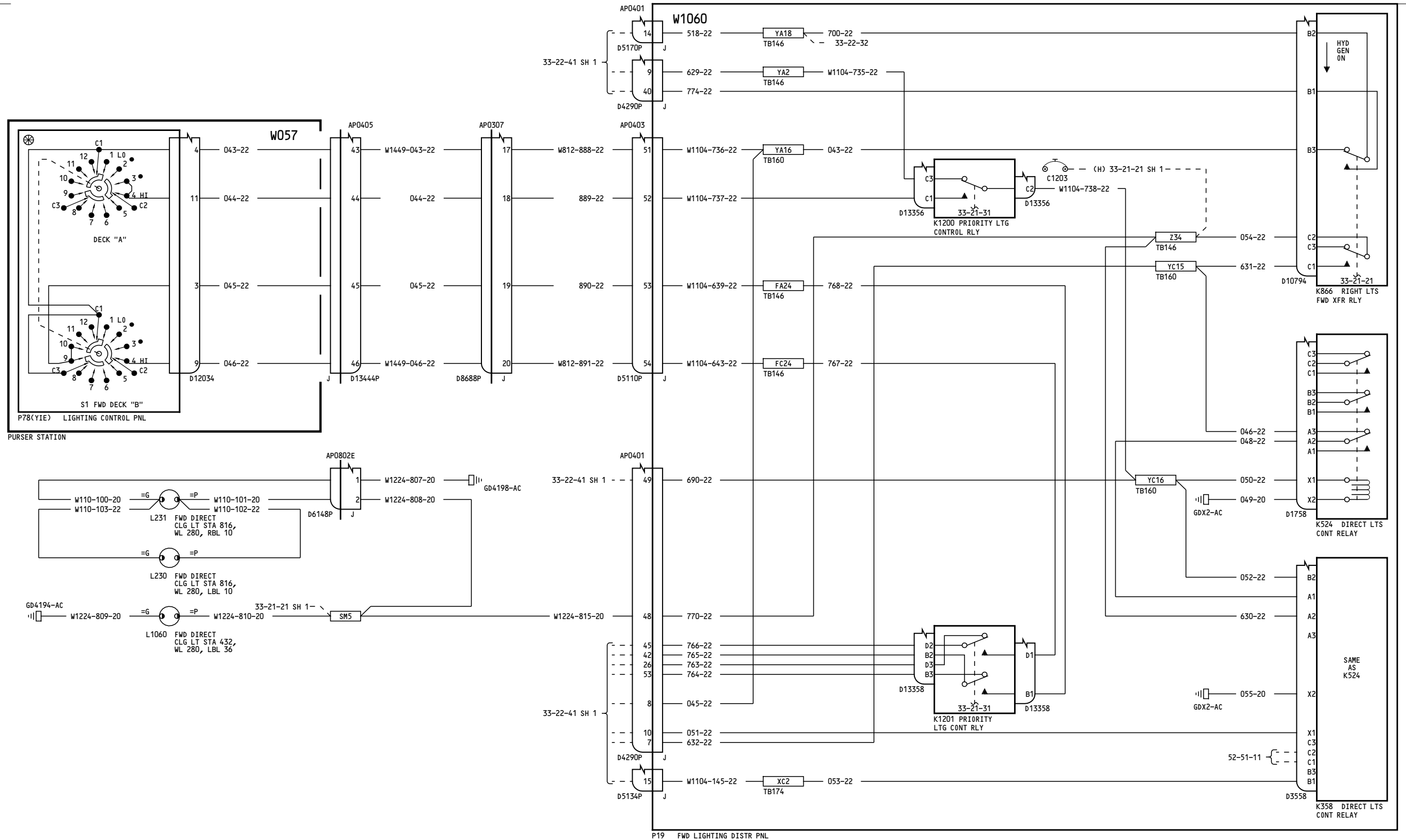
D280T132

33-22-41

Page 1
Sheet 1
Jan 21/2005

33-22-41

Page 1
Sheet 1
Jan 21/2005



050-099

**CEILING LIGHTS-
FORWARD DIRECT**

D280T132

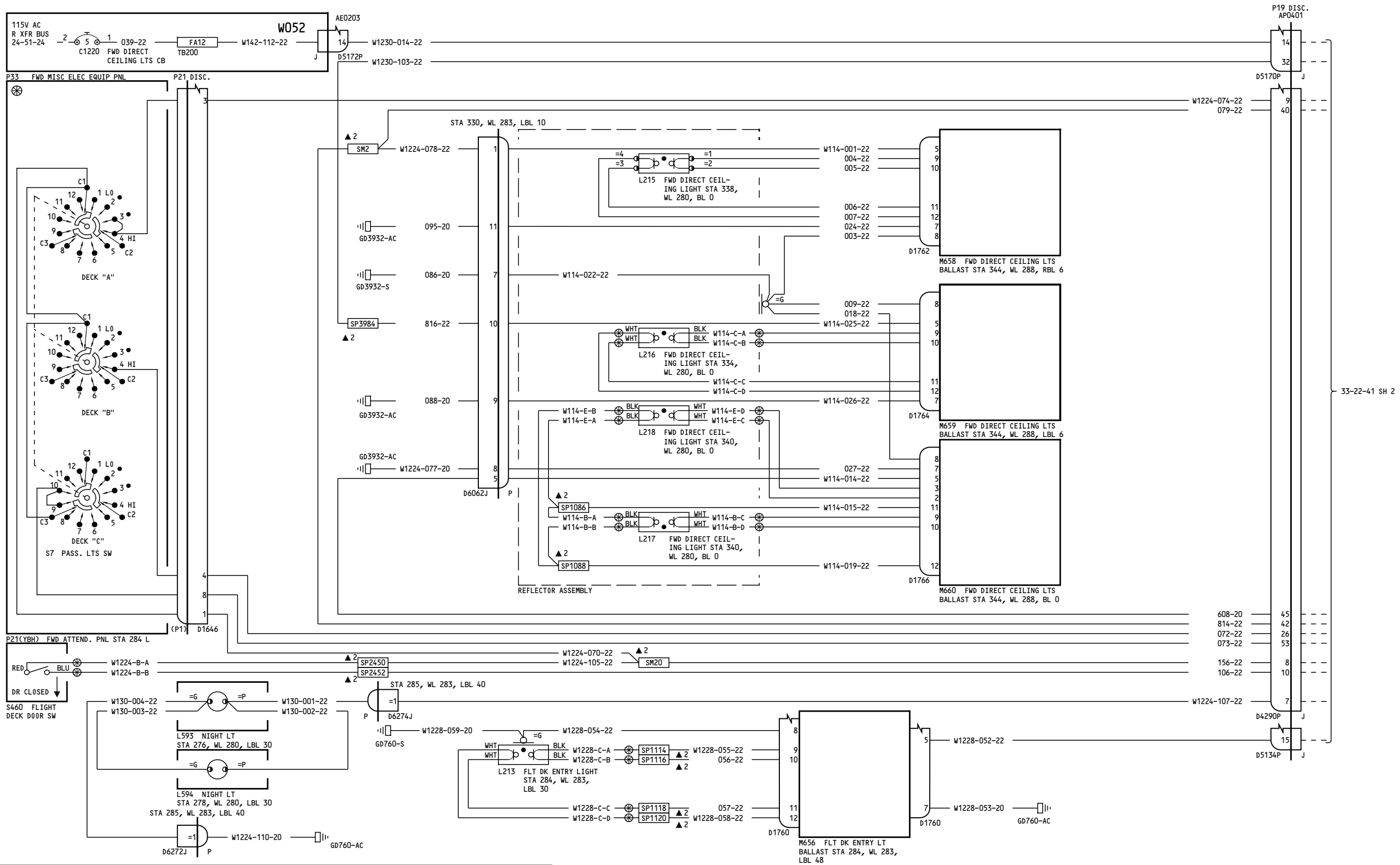
33-22-41

Page 1
Sheet 2
Jan 21/2005

33-22-41

Page 1
Sheet 2
Jan 21/2005

39



150, 152-167

**CEILING LIGHTS-
FORWARD DIRECT**

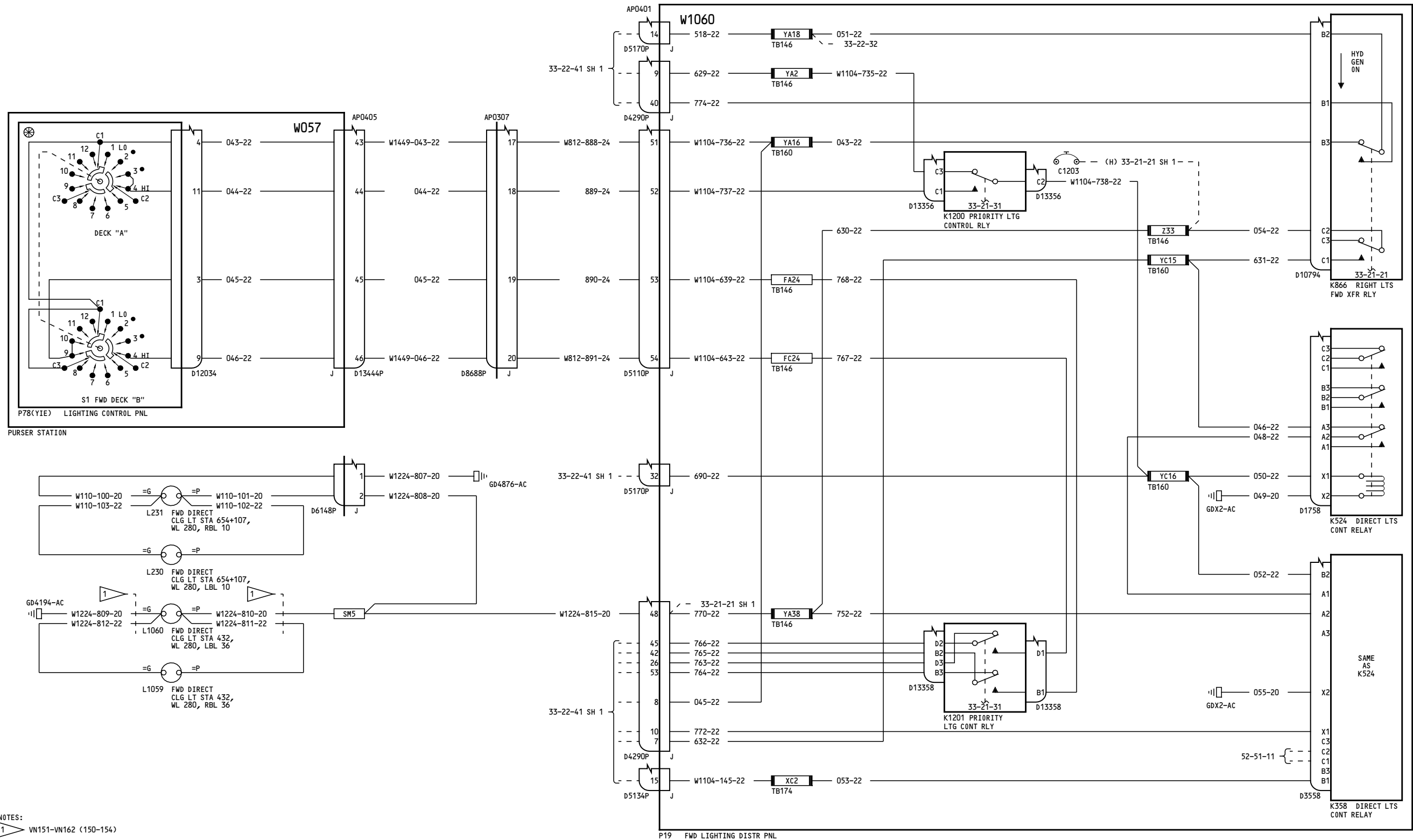
33-22-41

Page 2A
Sheet 1
Jan 21/2005

D280T132

33-22-41

Page 2A
Sheet 1
Jan 21/2005



NOTES:
 1 VN151-VN162 (150-154)

150, 152-167

**CEILING LIGHTS-
FORWARD DIRECT**

D280T132

33-22-41

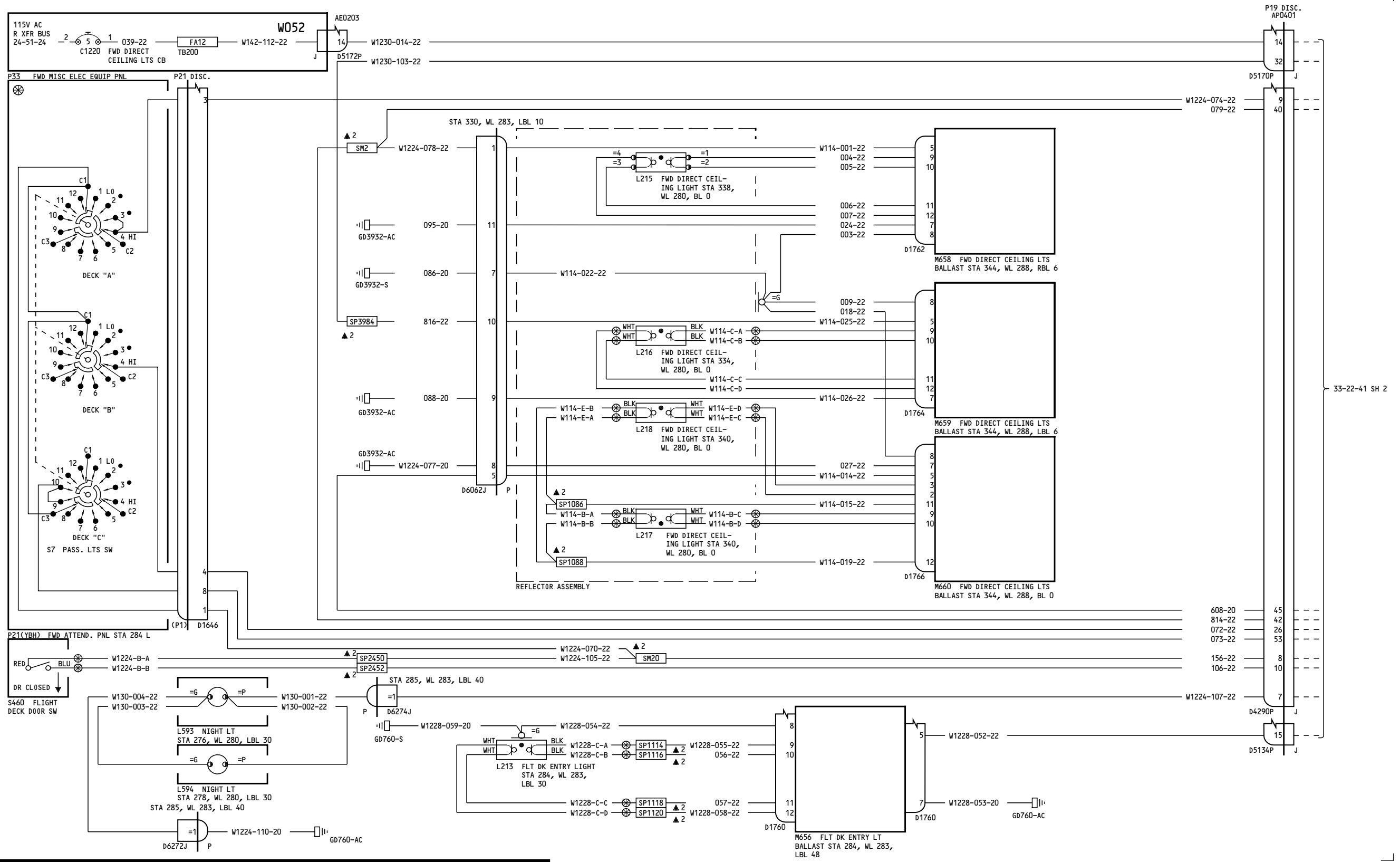
Page 2A
Sheet 2
Jan 21/2005

Incorporates
MTO 330370

33-22-41

Page 2A
Sheet 2
Jan 21/2005

39



151

**CEILING LIGHTS-
FORWARD DIRECT**

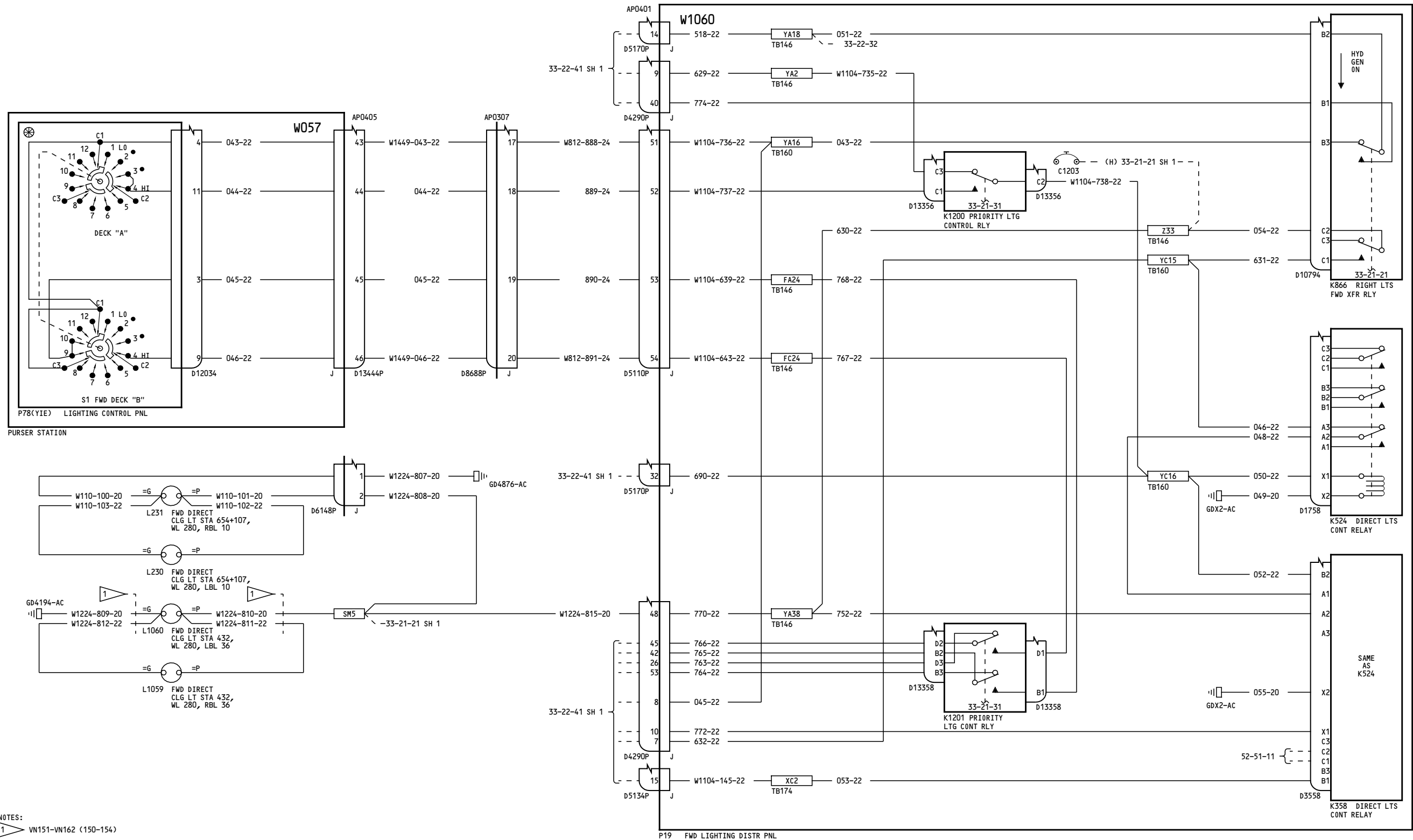
D280T132

33-22-41

Page 3
Sheet 1
Jan 21/2005

33-22-41

Page 3
Sheet 1
Jan 21/2005



NOTES:
 1 VN151-VN162 (150-154)

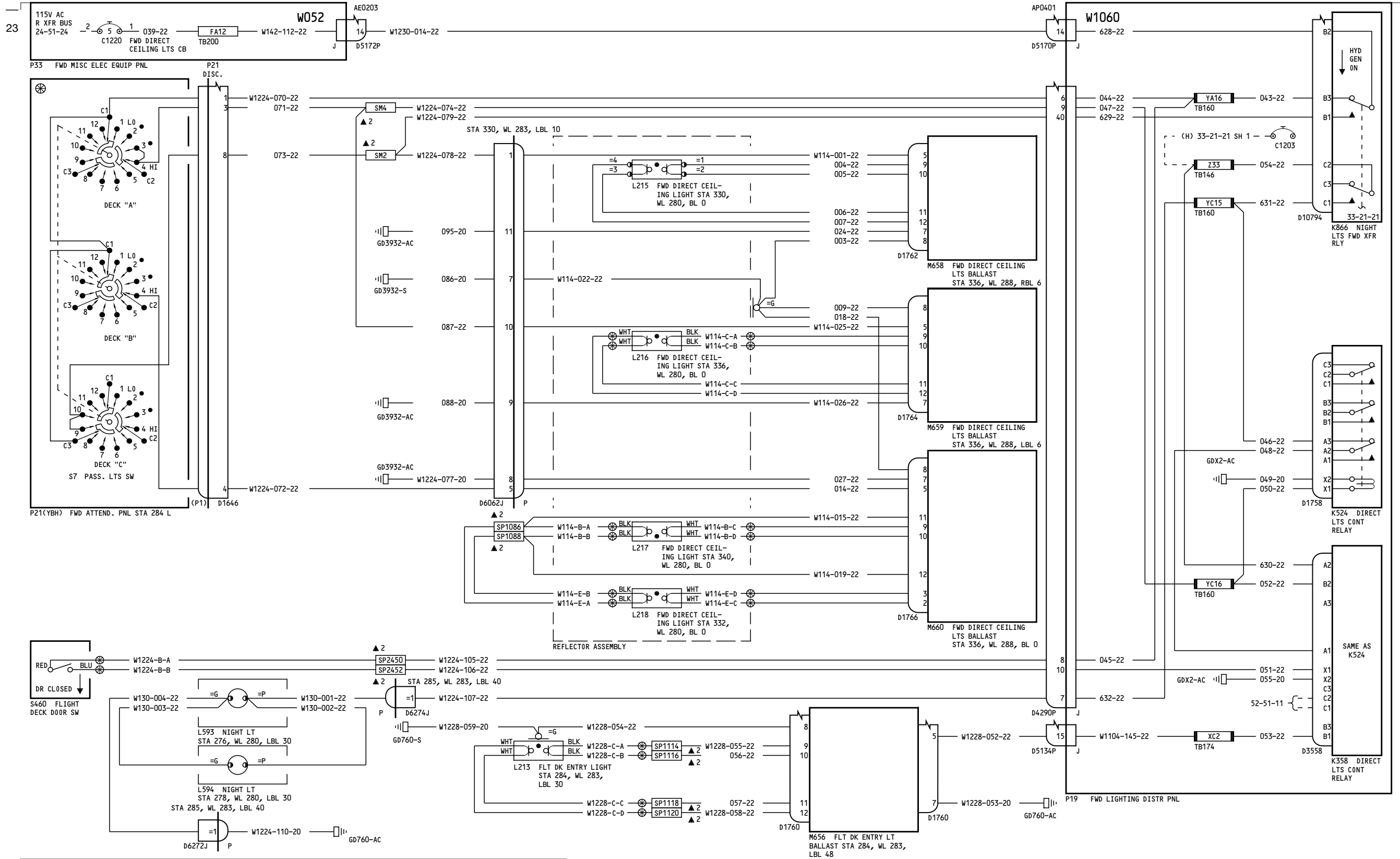
| | |
|-----|-----------------------------------------------------------|
| 151 | CEILING LIGHTS- FORWARD DIRECT D280T132 |
|-----|-----------------------------------------------------------|

33-22-41

Page 3
 Sheet 2
 Jan 21/2005

33-22-41

Page 3
 Sheet 2
 Jan 21/2005

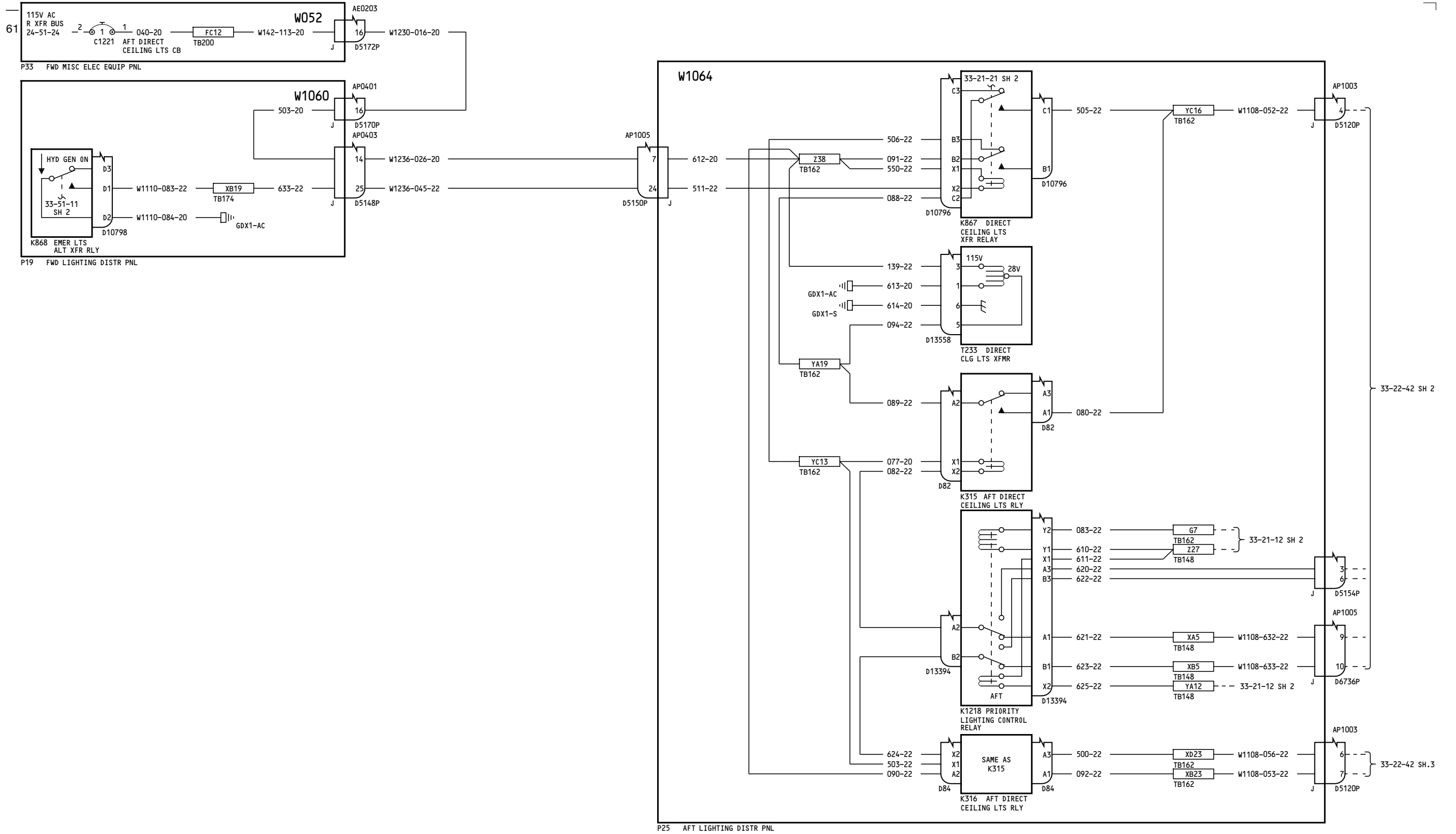


275-299

**CEILING LIGHTS-
FORWARD DIRECT**

33-22-41

33-22-41



050-099

**CEILING LIGHTS-
AFT DIRECT**

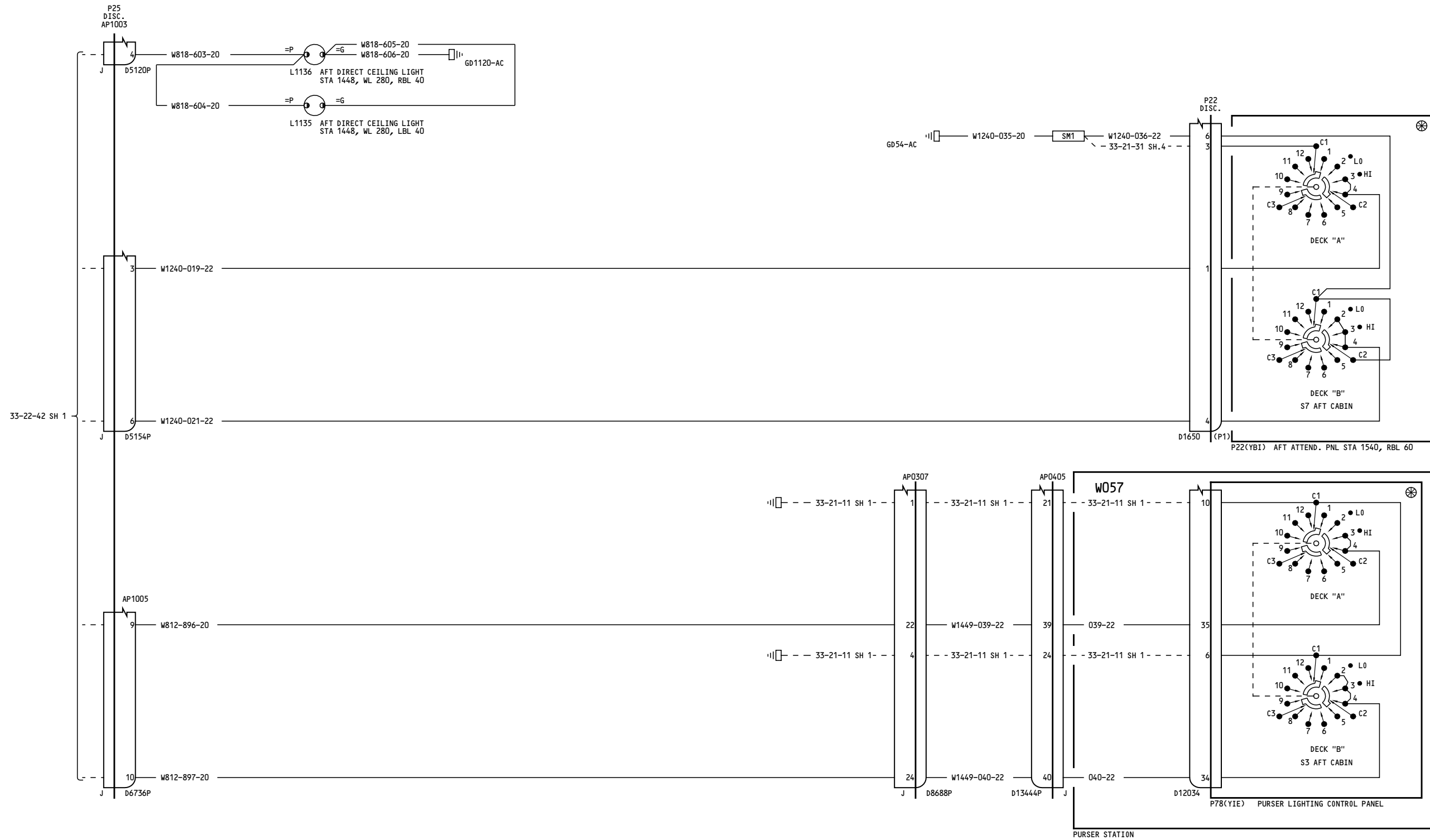
D280T132

33-22-42

Page 1
Sheet 1
Jan 21/2005

33-22-42

Page 1
Sheet 1
Jan 21/2005



050-099

**CEILING LIGHTS-
AFT DIRECT**

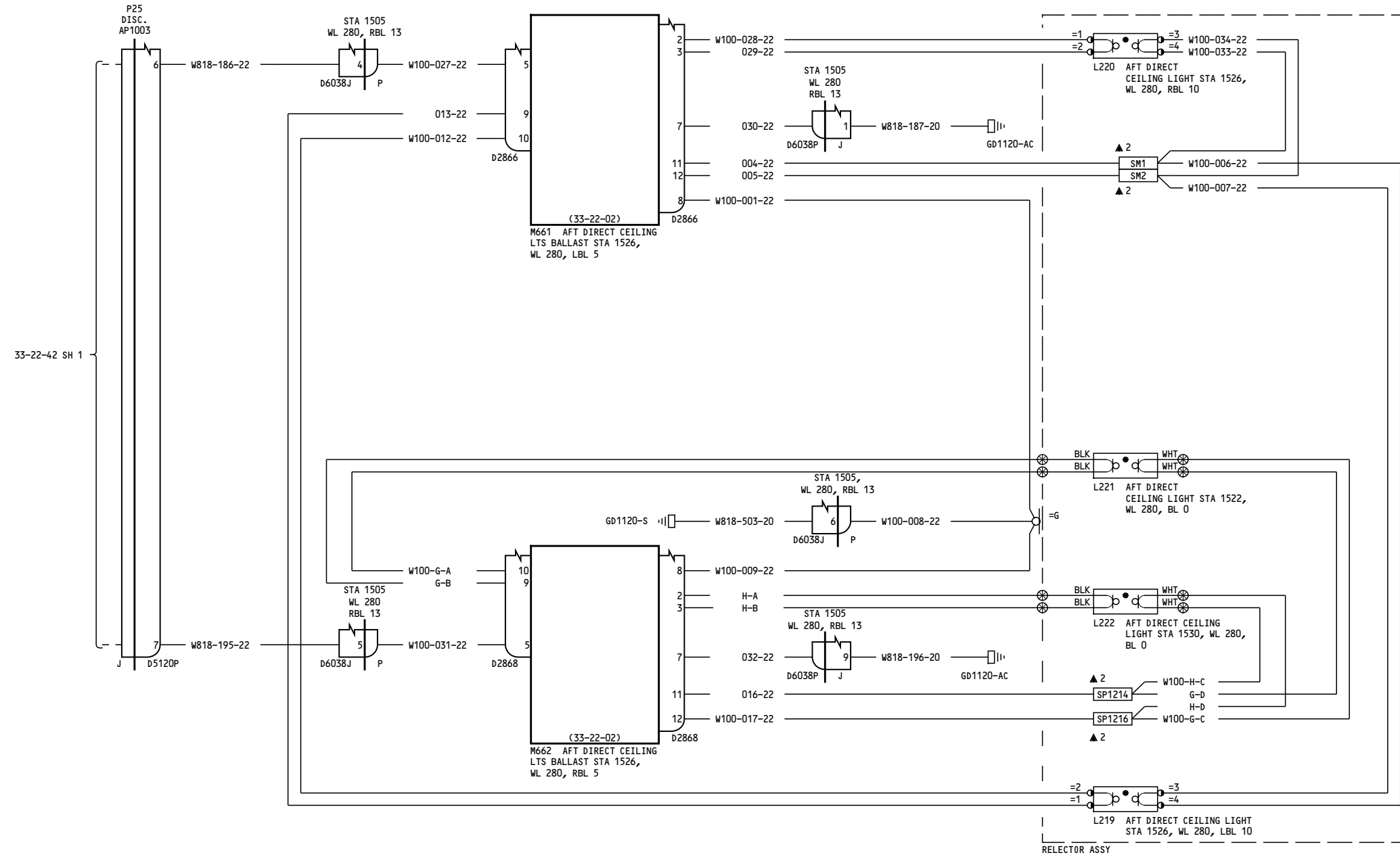
33-22-42

Page 1
Sheet 2
Jan 21/2005

D280T132

33-22-42

Page 1
Sheet 2
Jan 21/2005



050-099

**CEILING LIGHTS-
AFT DIRECT**

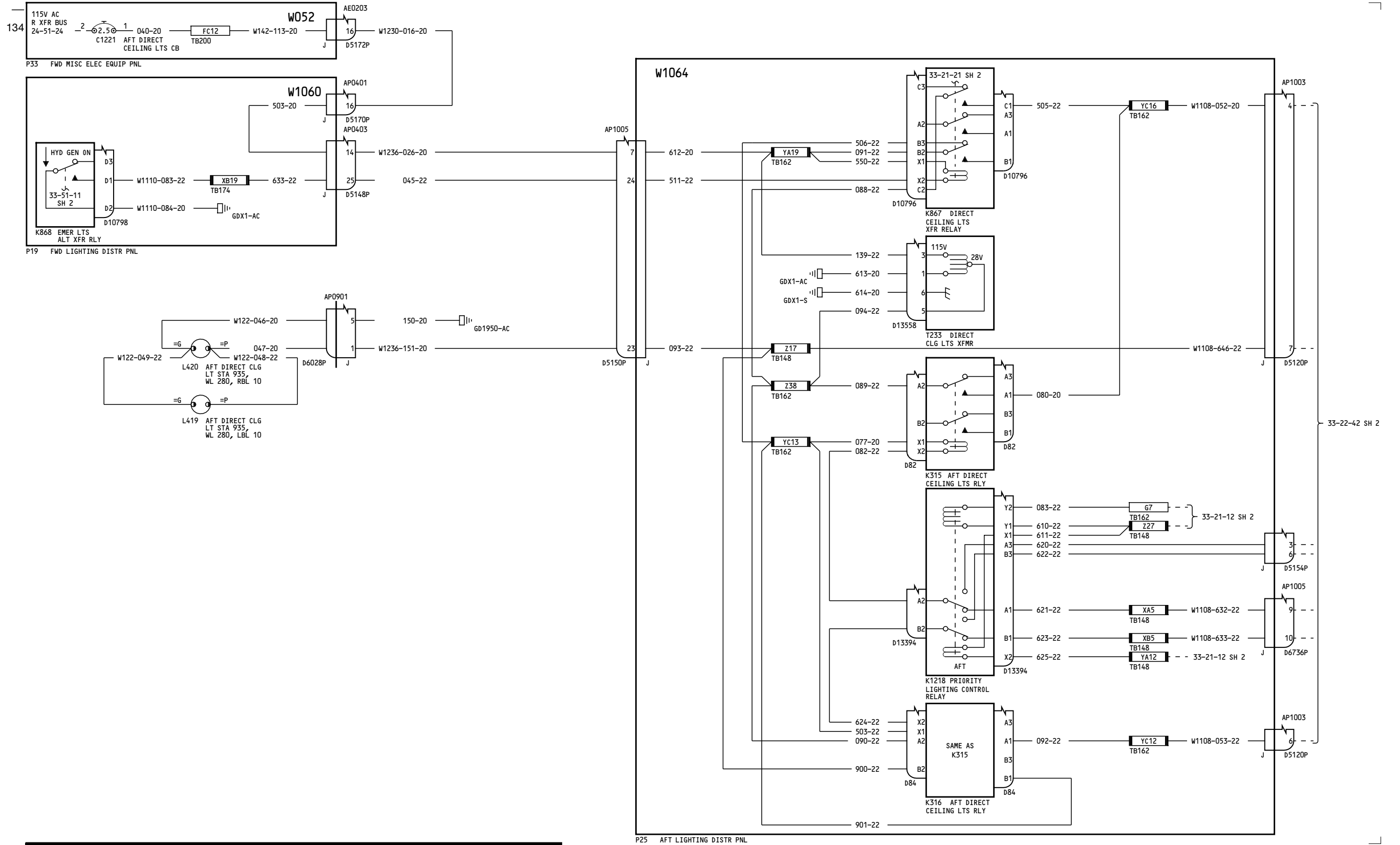
D280T132

33-22-42

Page 1
Sheet 3
Jan 21/2005

33-22-42

Page 1
Sheet 3
Jan 21/2005



150, 152-167

**CEILING LIGHTS-
AFT DIRECT**

D280T132

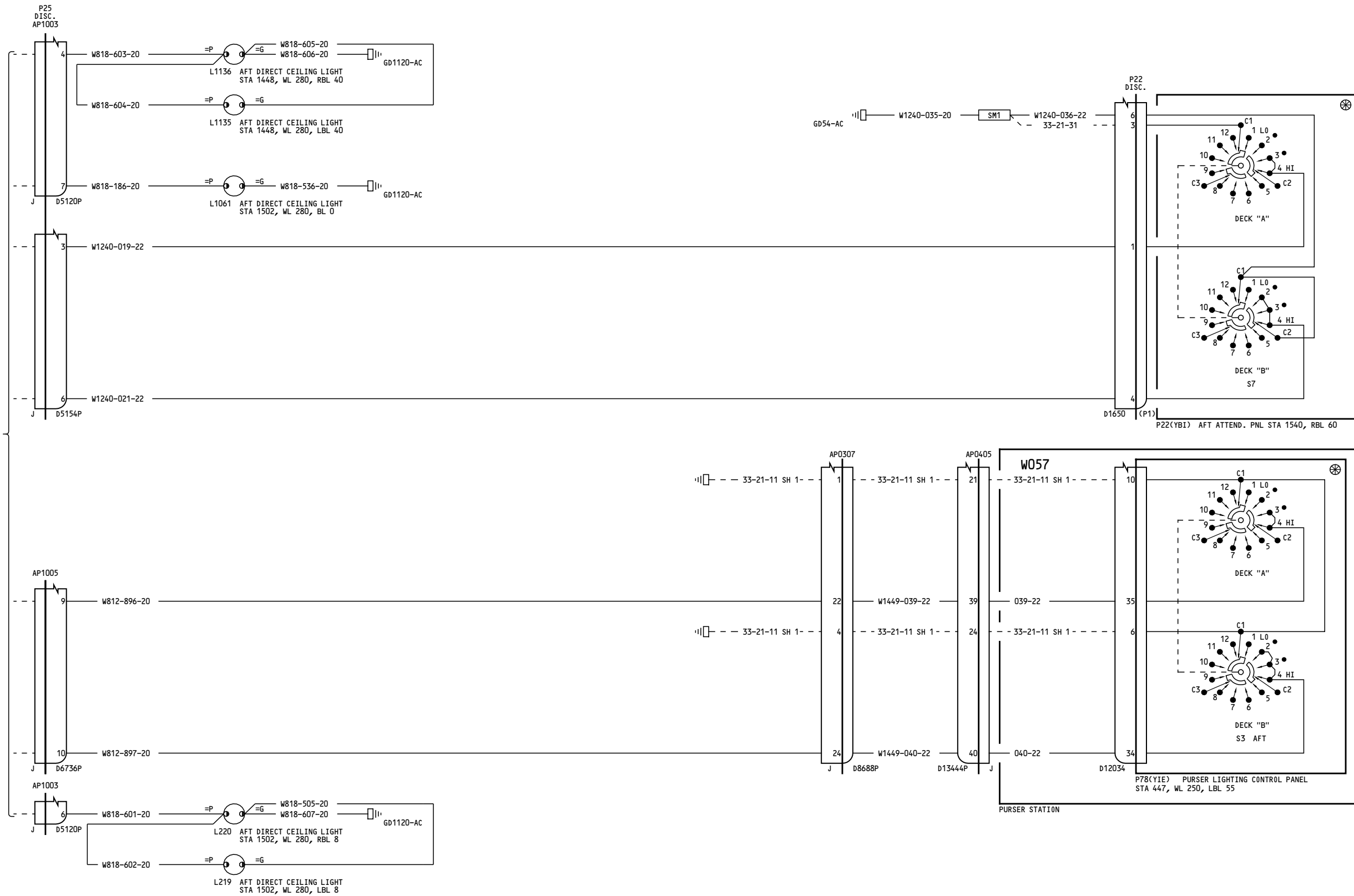
33-22-42

Page 2A
Sheet 1
Jan 21/2005

Incorporates
MTO 330370

33-22-42

Page 2A
Sheet 1
Jan 21/2005



150, 152-167

**CEILING LIGHTS-
AFT DIRECT**

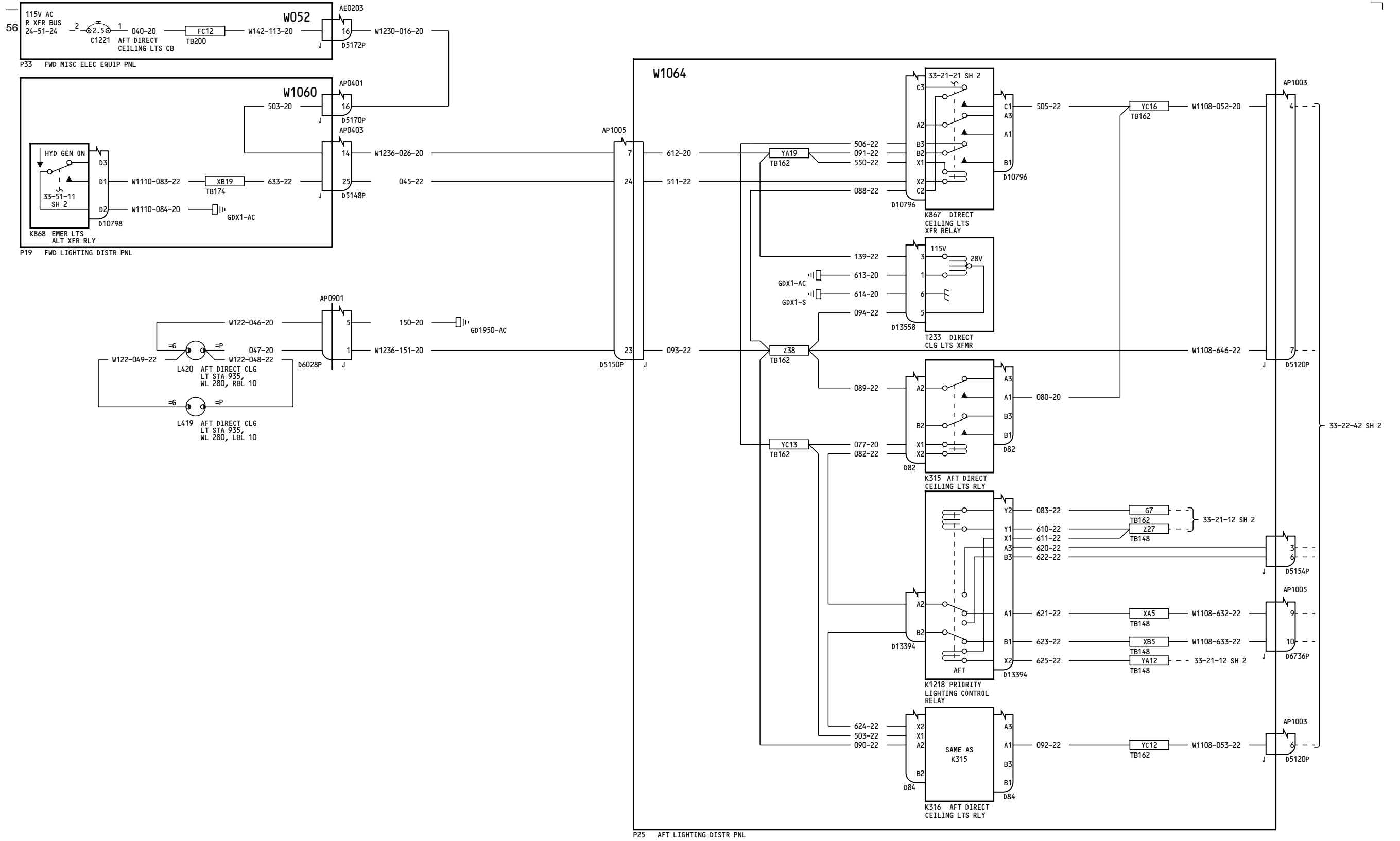
33-22-42

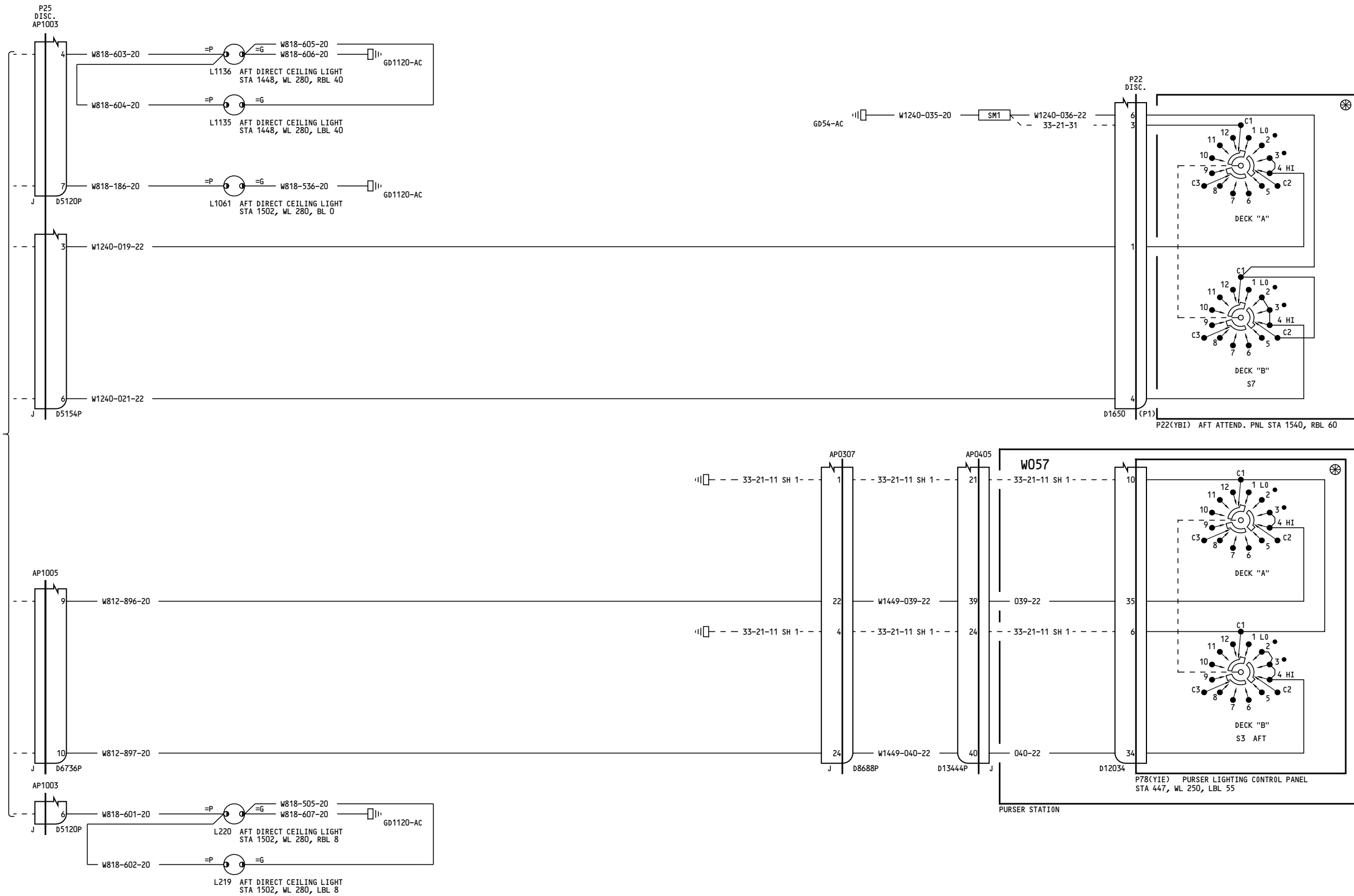
Page 2A
Sheet 2
Jan 21/2005

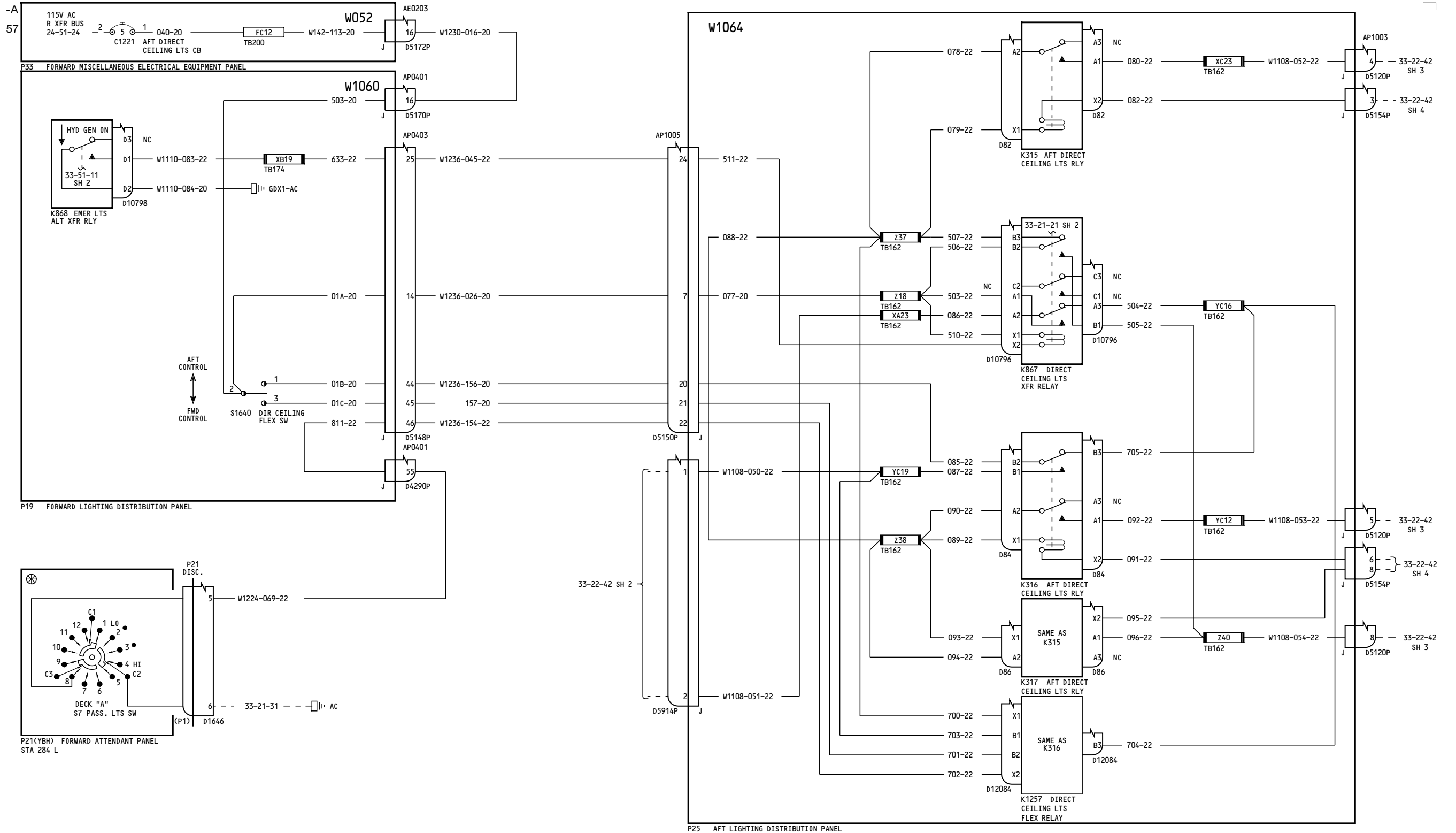
D280T132

33-22-42

Page 2A
Sheet 2
Jan 21/2005







275-278

**CEILING LIGHTS-
AFT DIRECT**

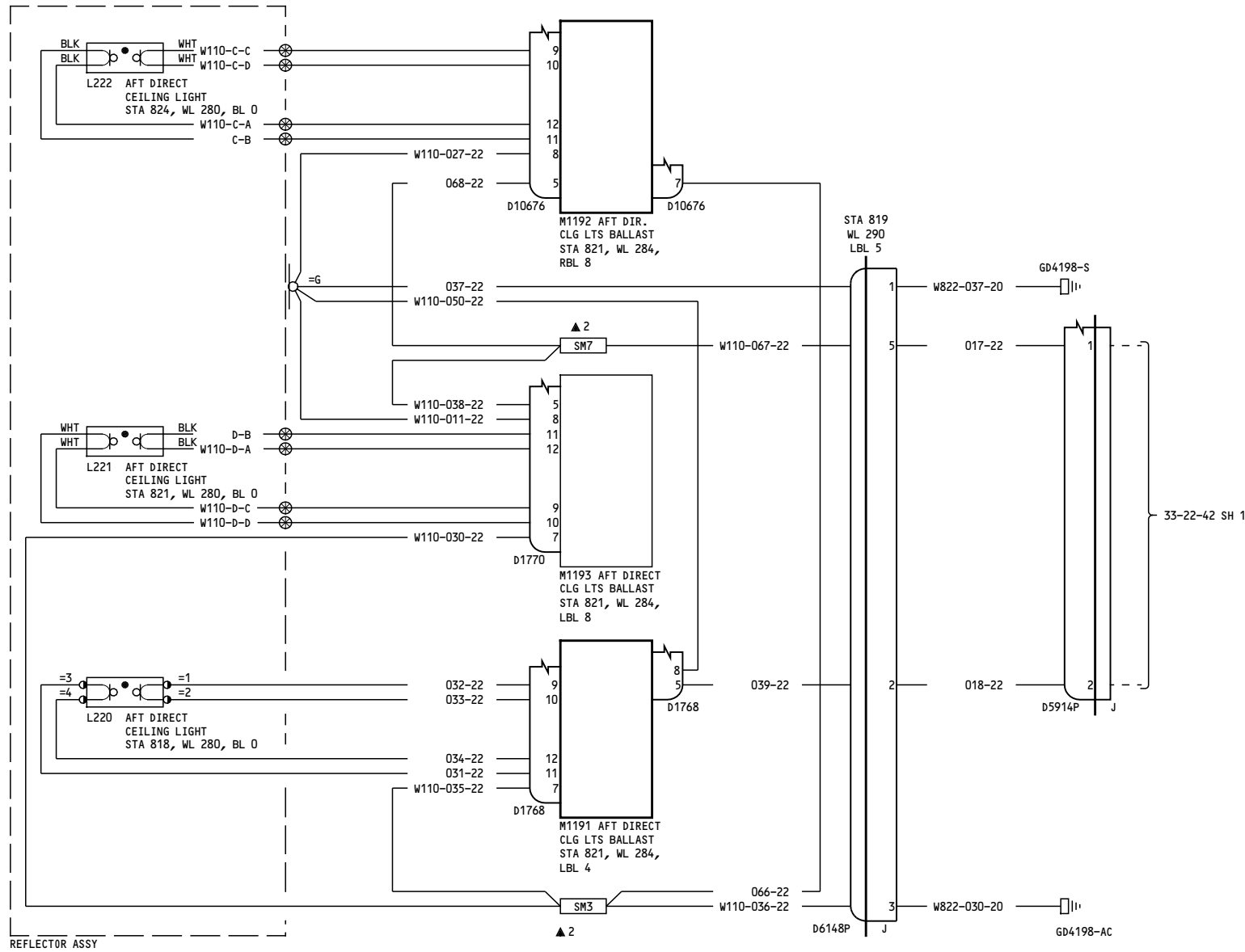
D280T132

33-22-42

Page 4
Sheet 1
Jan 21/2005

33-22-42

Page 4
Sheet 1
Jan 21/2005



275-278

**CEILING LIGHTS-
AFT DIRECT**

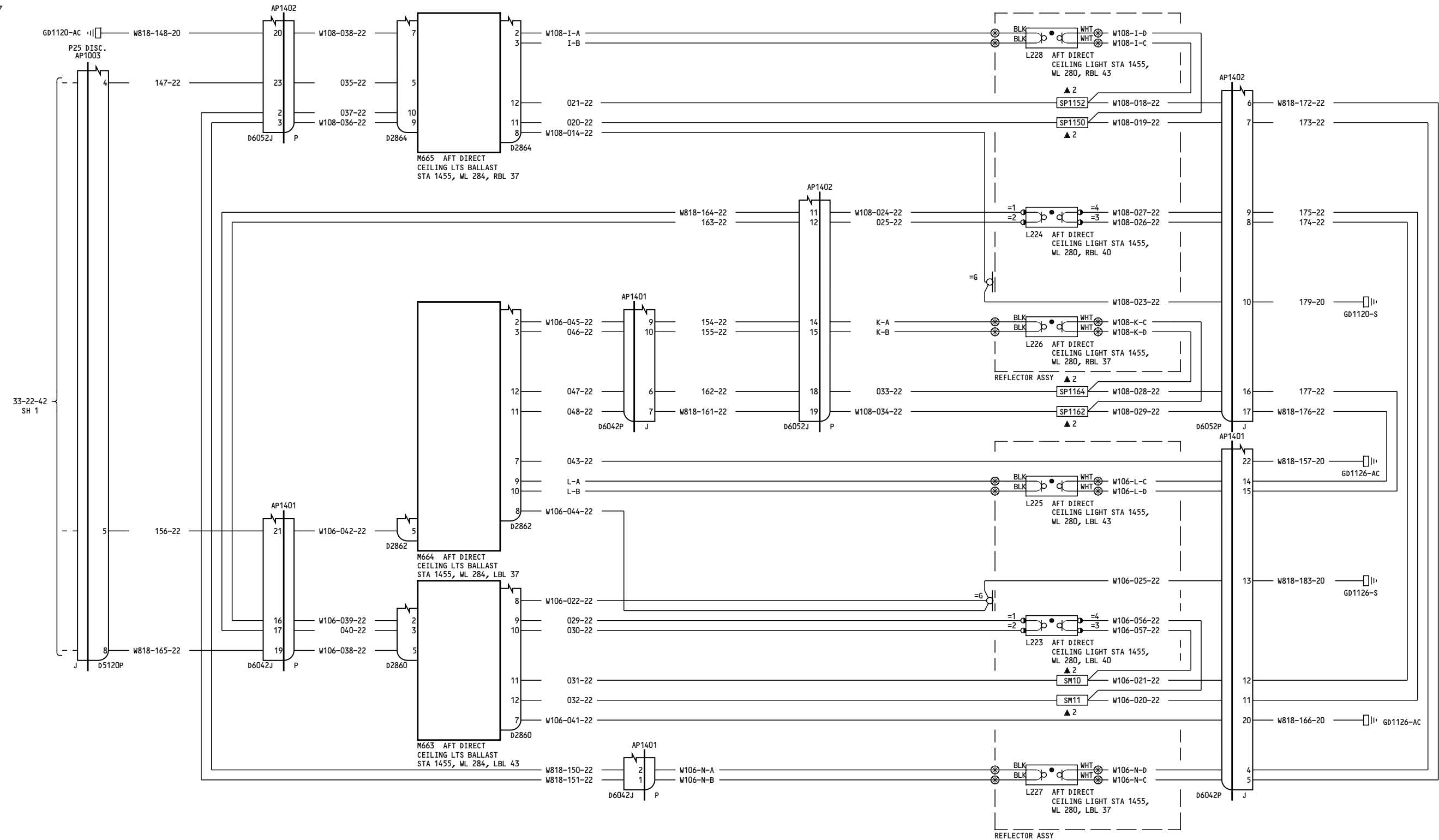
D280T132

33-22-42

Page 4
Sheet 2
Jan 21/2005

33-22-42

Page 4
Sheet 2
Jan 21/2005



275-278

**CEILING LIGHTS-
AFT DIRECT**

D280T132

33-22-42

Page 4
Sheet 3
Jan 21/2005

33-22-42

Page 4
Sheet 3
Jan 21/2005



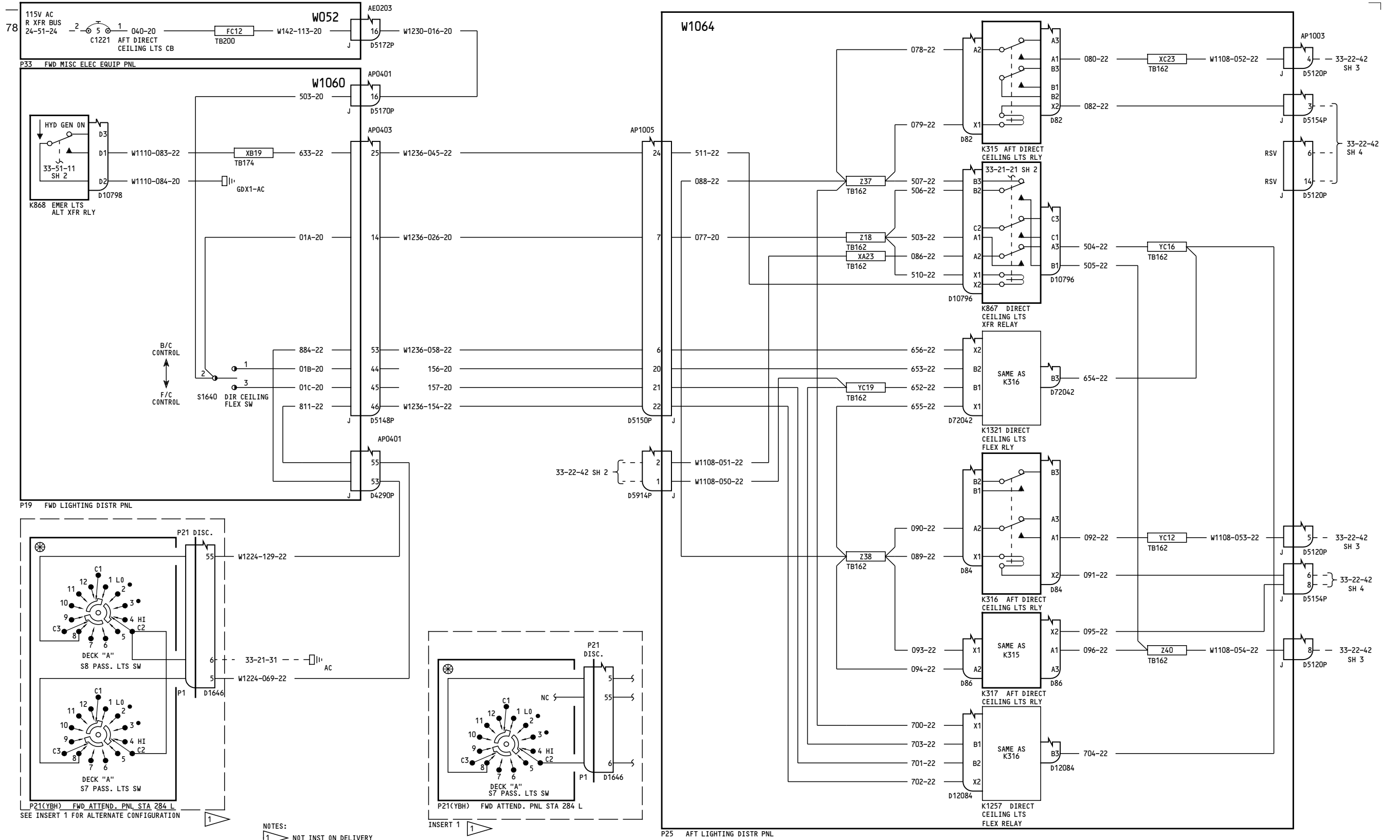
| | |
|---------|--------------------------------------------------------------------------------------------|
| 275-278 | <p align="center">CEILING LIGHTS- AFT DIRECT</p> <p align="center">D280T132</p> |
|---------|--------------------------------------------------------------------------------------------|

33-22-42

Page 4
Sheet 4
Jan 21/2005

33-22-42

Page 4
Sheet 4
Jan 21/2005



NOTES:
1 NOT INST ON DELIVERY

280-299

**CEILING LIGHTS-
AFT DIRECT**

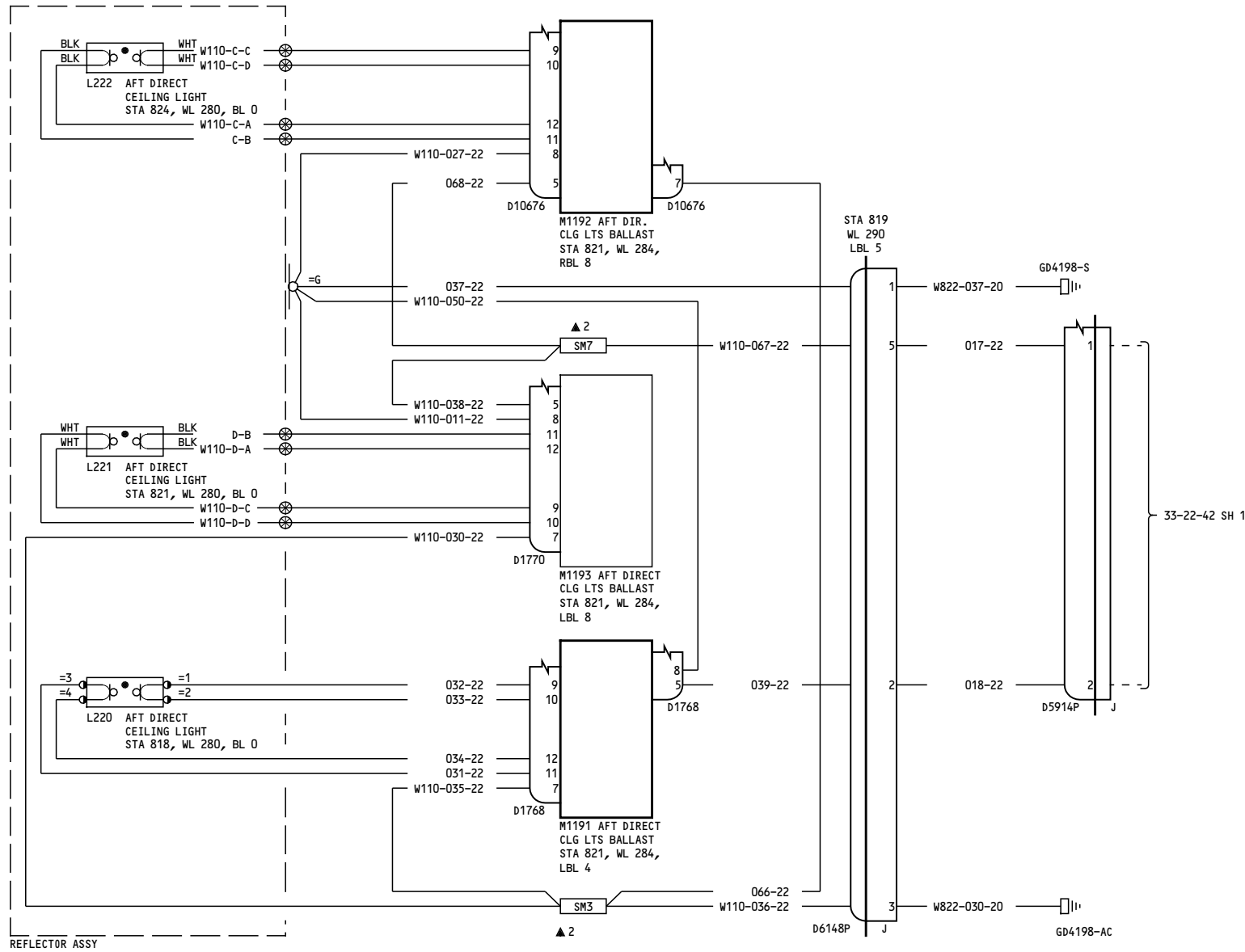
D280T132

33-22-42

Page 5
Sheet 1
Jan 21/2005

33-22-42

Page 5
Sheet 1
Jan 21/2005



280-299

**CEILING LIGHTS-
AFT DIRECT**

D280T132

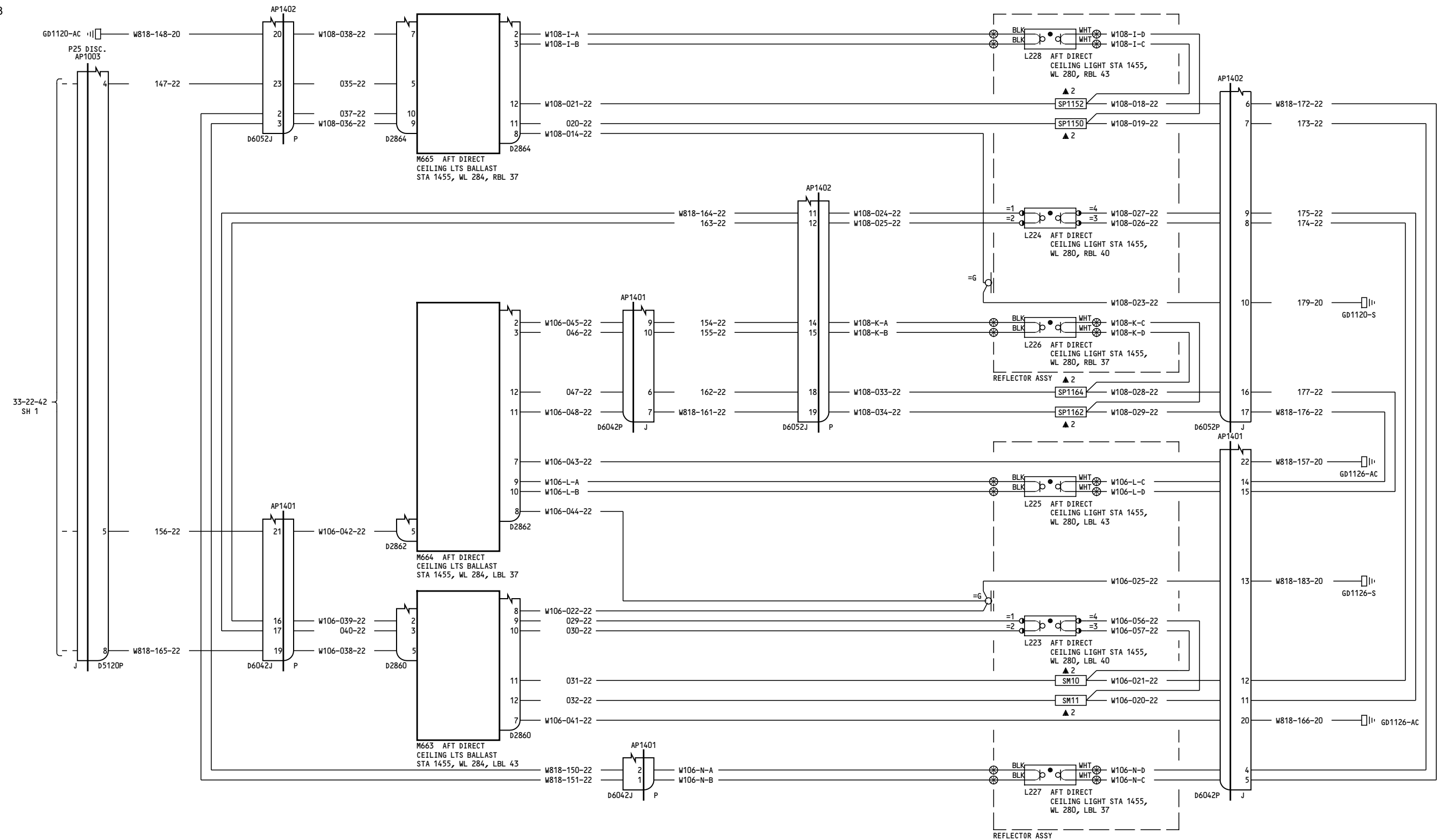
33-22-42

Page 5
Sheet 2
Jan 21/2005

33-22-42

Page 5
Sheet 2
Jan 21/2005

-B
78



280-299

**CEILING LIGHTS-
AFT DIRECT**

D280T132

33-22-42

Page 5
Sheet 3
Jan 21/2005

33-22-42

Page 5
Sheet 3
Jan 21/2005



NOTES:
 1 CAP & STOW CONNECTOR

| | |
|---------|--------------------------------------------------------------------------------------------|
| 280-299 | <p align="center">CEILING LIGHTS- AFT DIRECT</p> <p align="center">D280T132</p> |
|---------|--------------------------------------------------------------------------------------------|

33-22-42

Page 5
 Sheet 4
 Jan 21/2005

33-22-42

Page 5
 Sheet 4
 Jan 21/2005



FOR ELECTRICAL CONNECTIONS OF PASSENGER
READING LIGHTS SEE ALL YOUR APPLICABLE
WIRING DIAGRAMS IN SECTION 23-34-XX TITLED
"PASSENGER ENTERTAINMENT/PASSENGER SERVICE".

| | |
|-----|-------------------------------------------------|
| ALL | PASSENGER READING LIGHTS D280T132 |
|-----|-------------------------------------------------|

33-23-11

Page 1

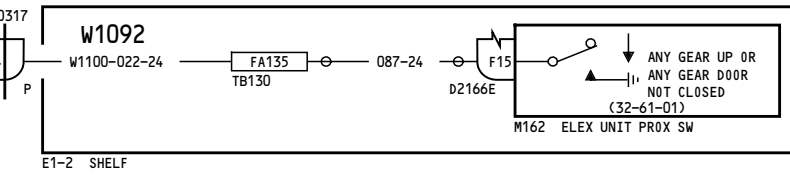
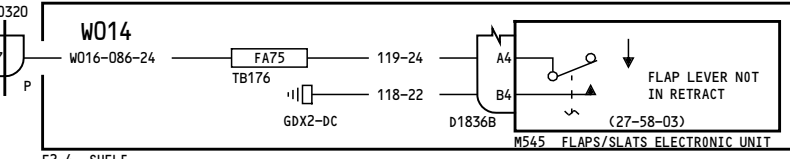
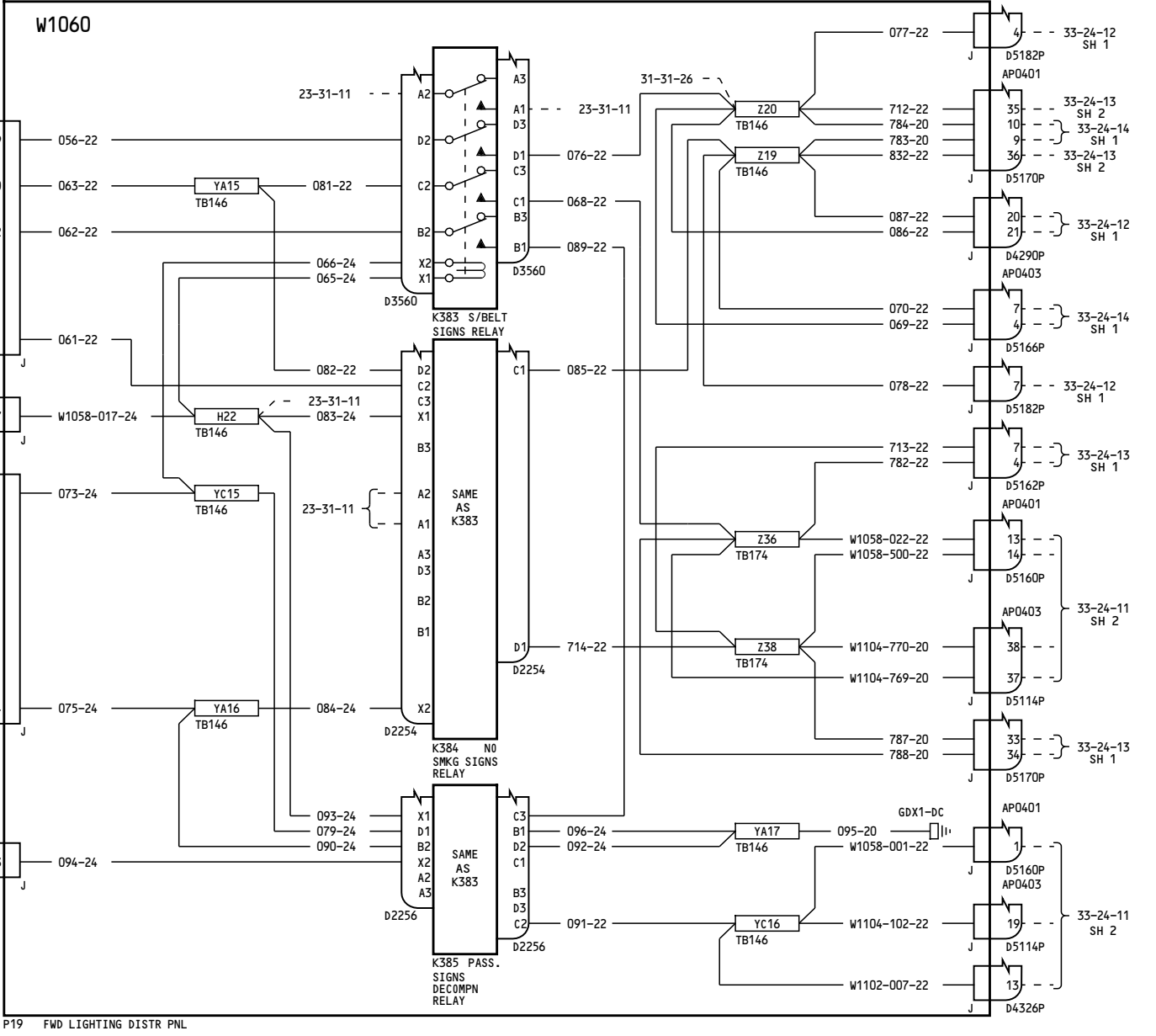
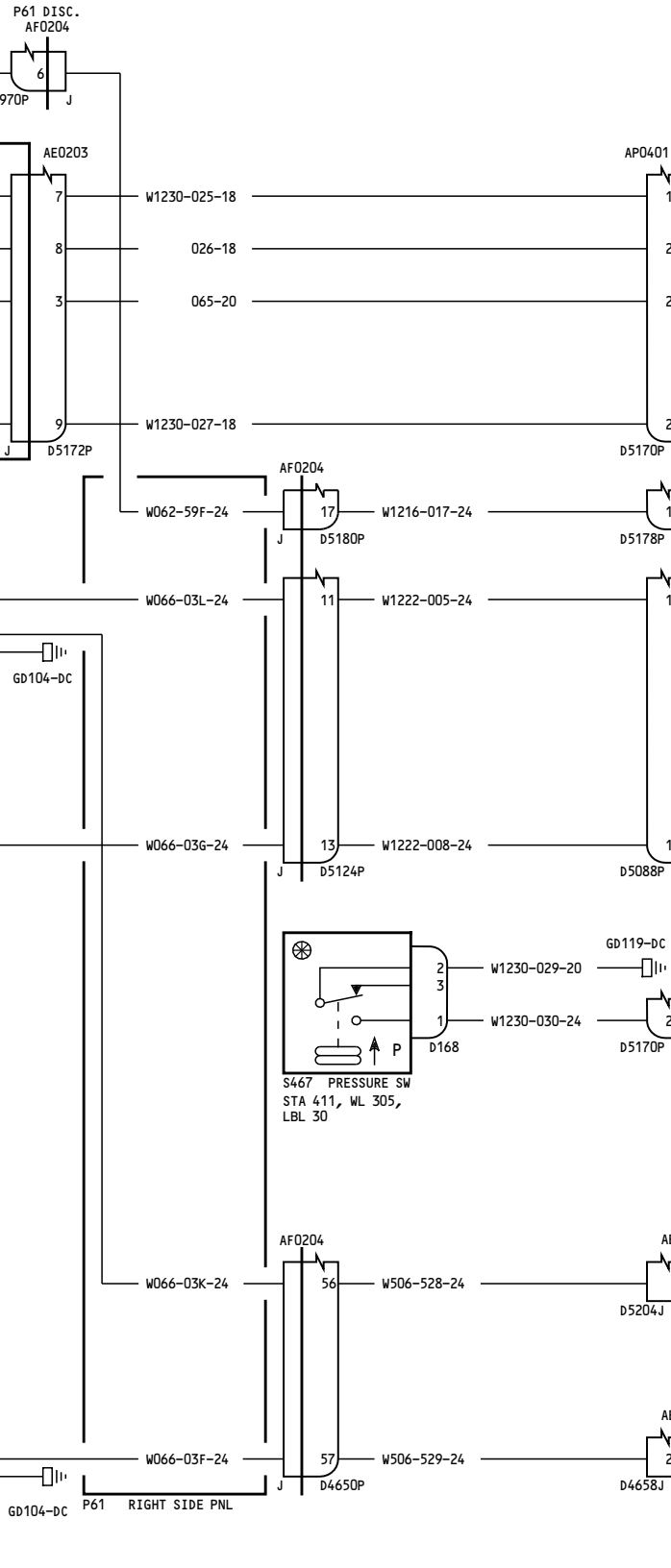
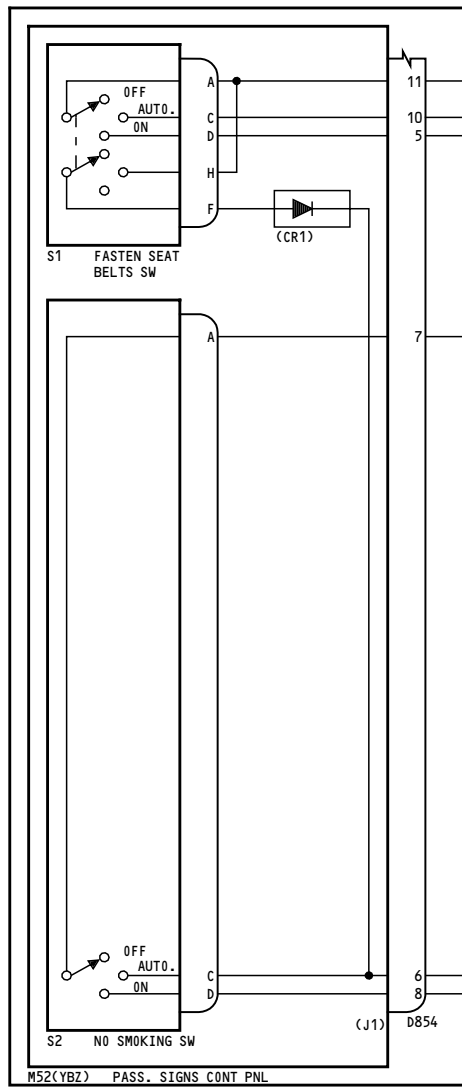
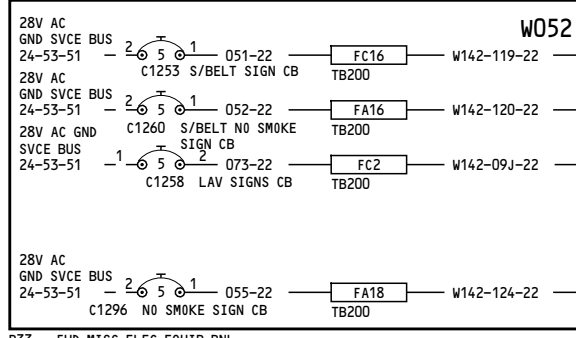
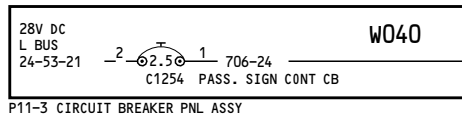
Jan 21/2005

33-23-11

Page 1

Jan 21/2005

63



050-099

PASSENGER SIGNS-LAVATORY
D280T132

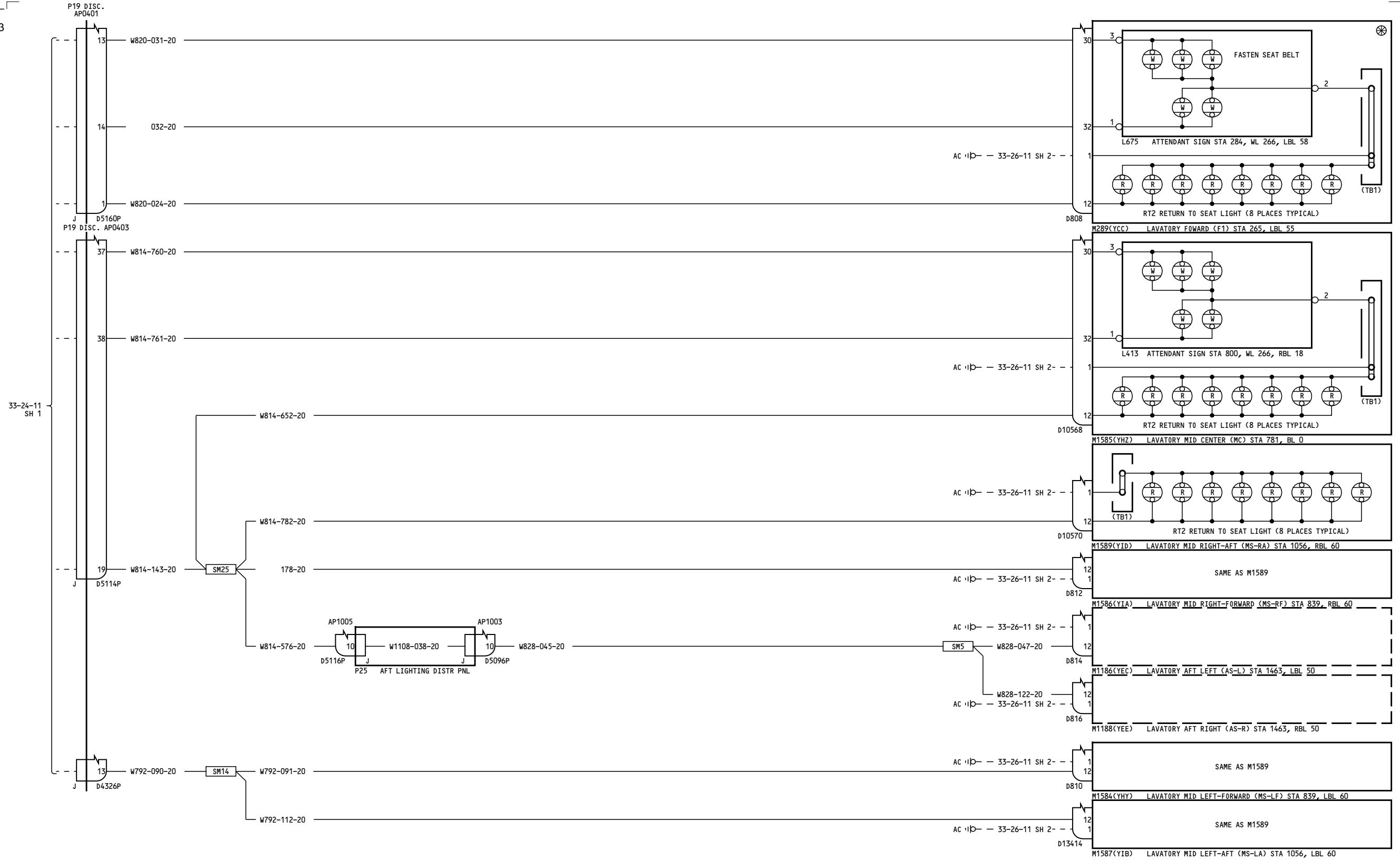
33-24-11

Page 1
Sheet 1
Jan 21/2005

33-24-11

Page 1
Sheet 1
Jan 21/2005

63



050-099

PASSENGER SIGNS-LAVATORY

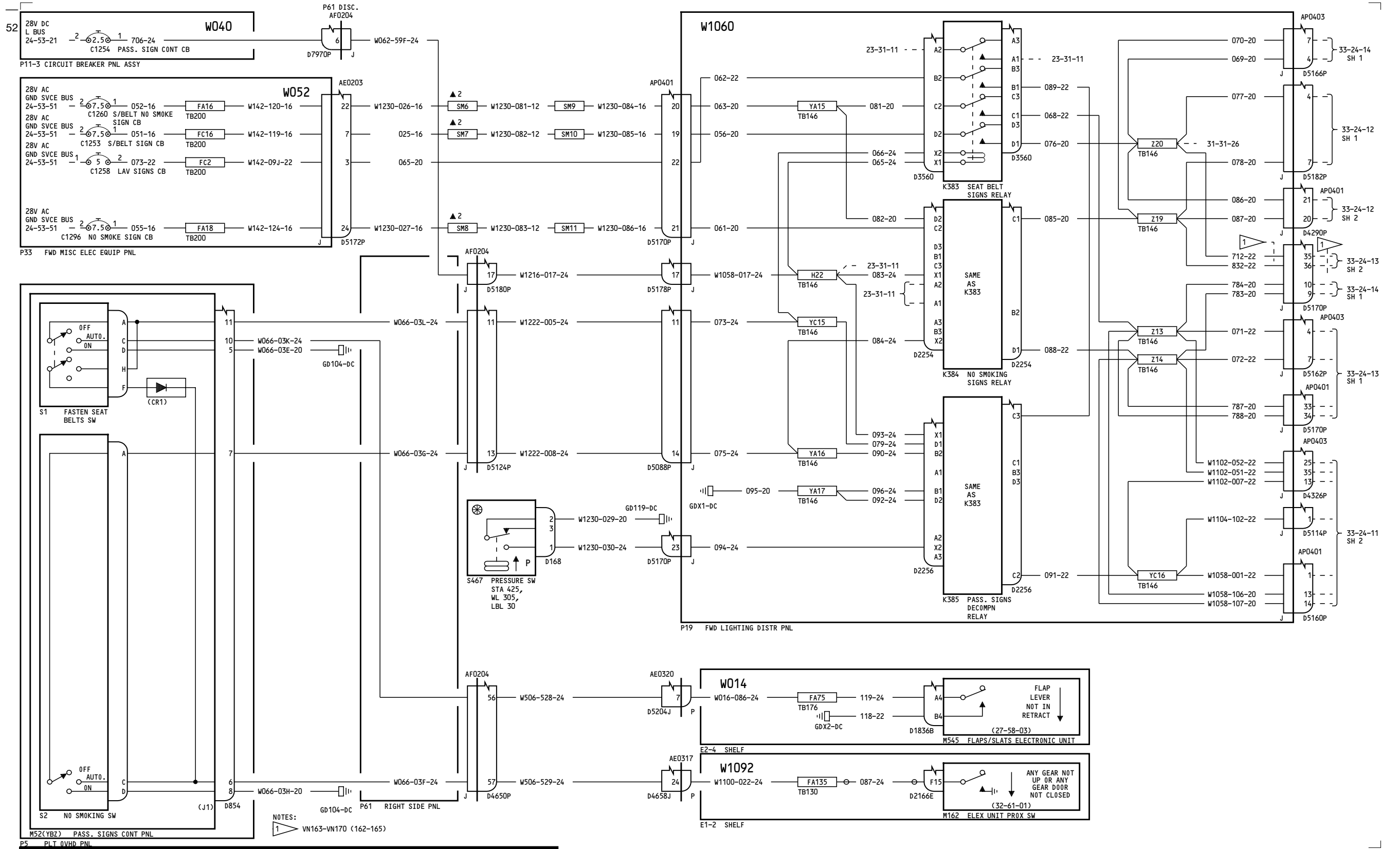
D280T132

33-24-11

Page 1
Sheet 2
Jan 21/2005

33-24-11

Page 1
Sheet 2
Jan 21/2005

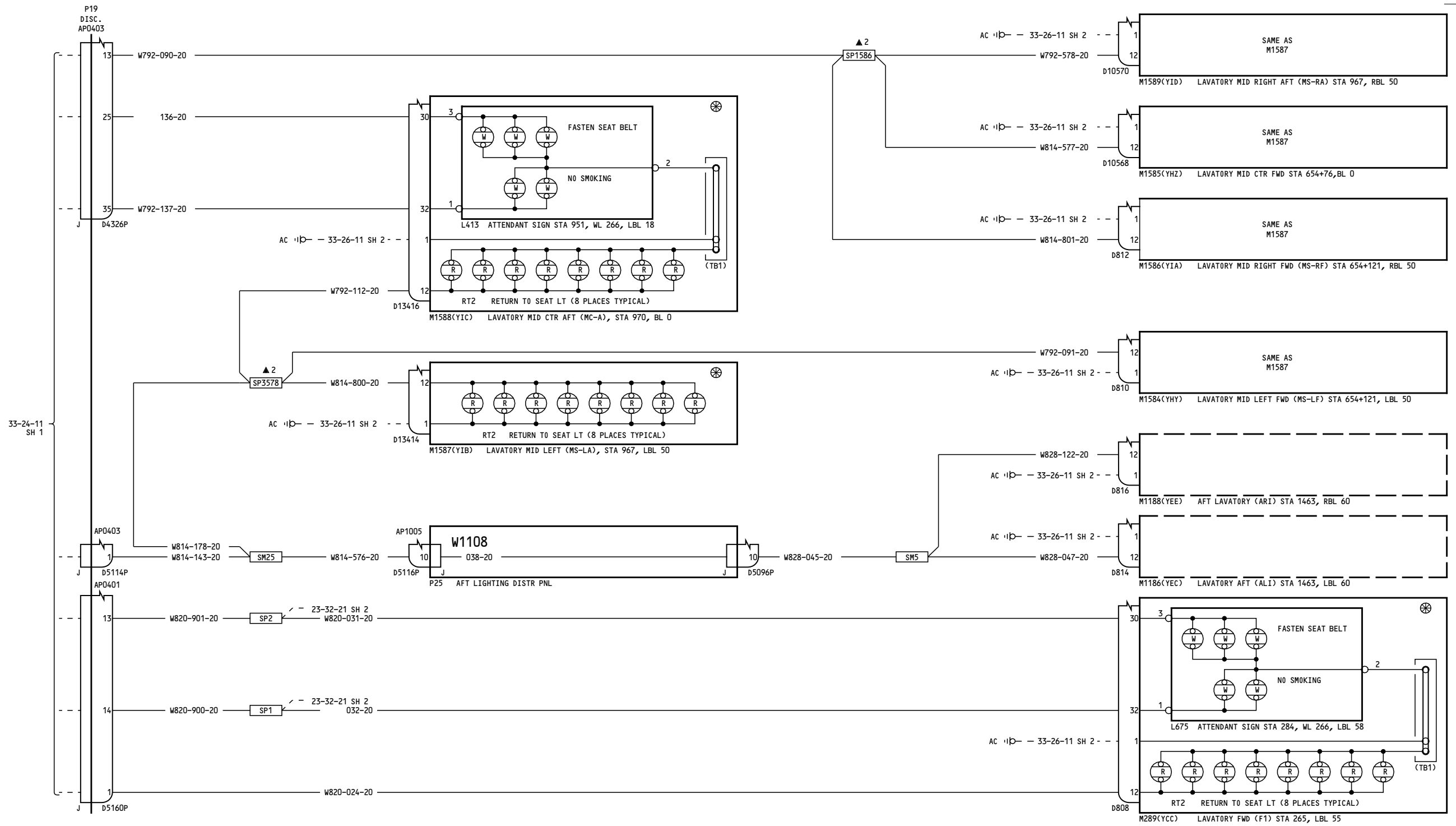


150, 152-167

PASSENGER SIGNS-LAVATORY
 D280T132

33-24-11
 Page 2A
 Sheet 1
 Jan 21/2005

33-24-11
 Page 2A
 Sheet 1
 Jan 21/2005



150, 152-167

**PASSENGER SIGNS-
LAVATORY**

D280T132

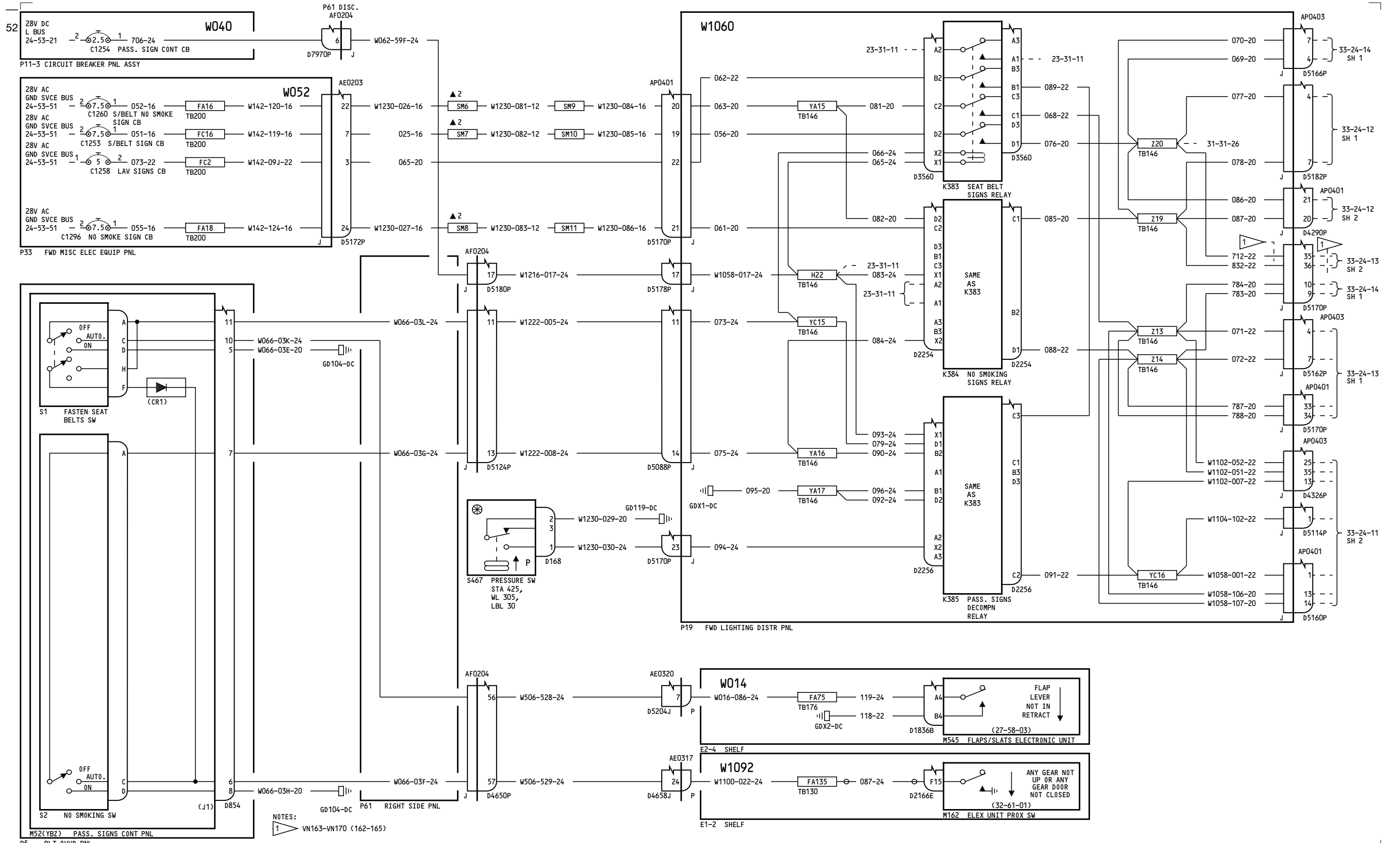
33-24-11

Page 2A
Sheet 2
Jan 21/2005

Incorporates
MTO-230718

33-24-11

Page 2A
Sheet 2
Jan 21/2005

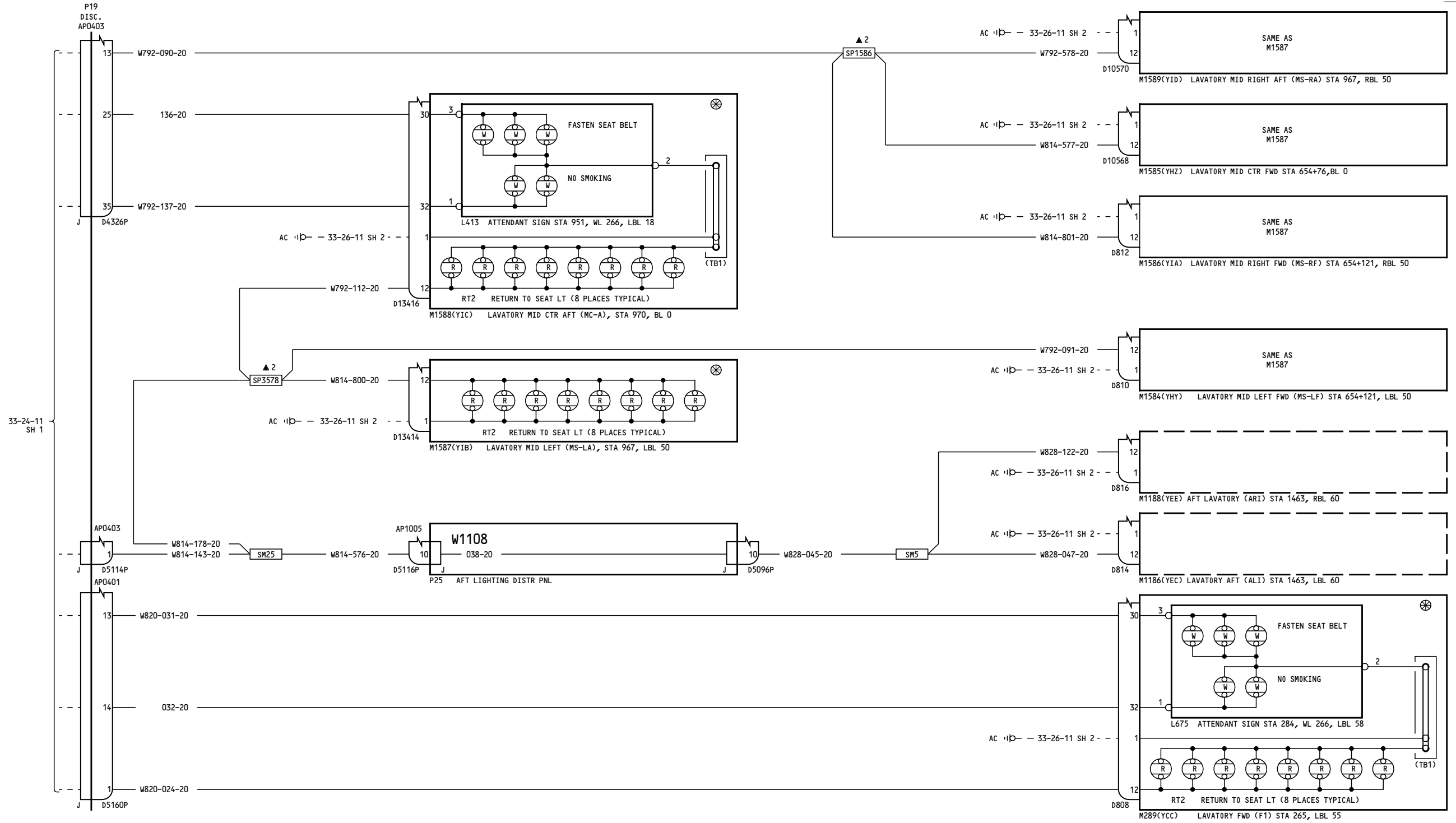


52
151
P5 PLT OVHD PNL

PASSENGER SIGNS-LAVATORY
D280T132

33-24-11
Page 3
Sheet 1
Jan 21/2005

33-24-11
Page 3
Sheet 1
Jan 21/2005



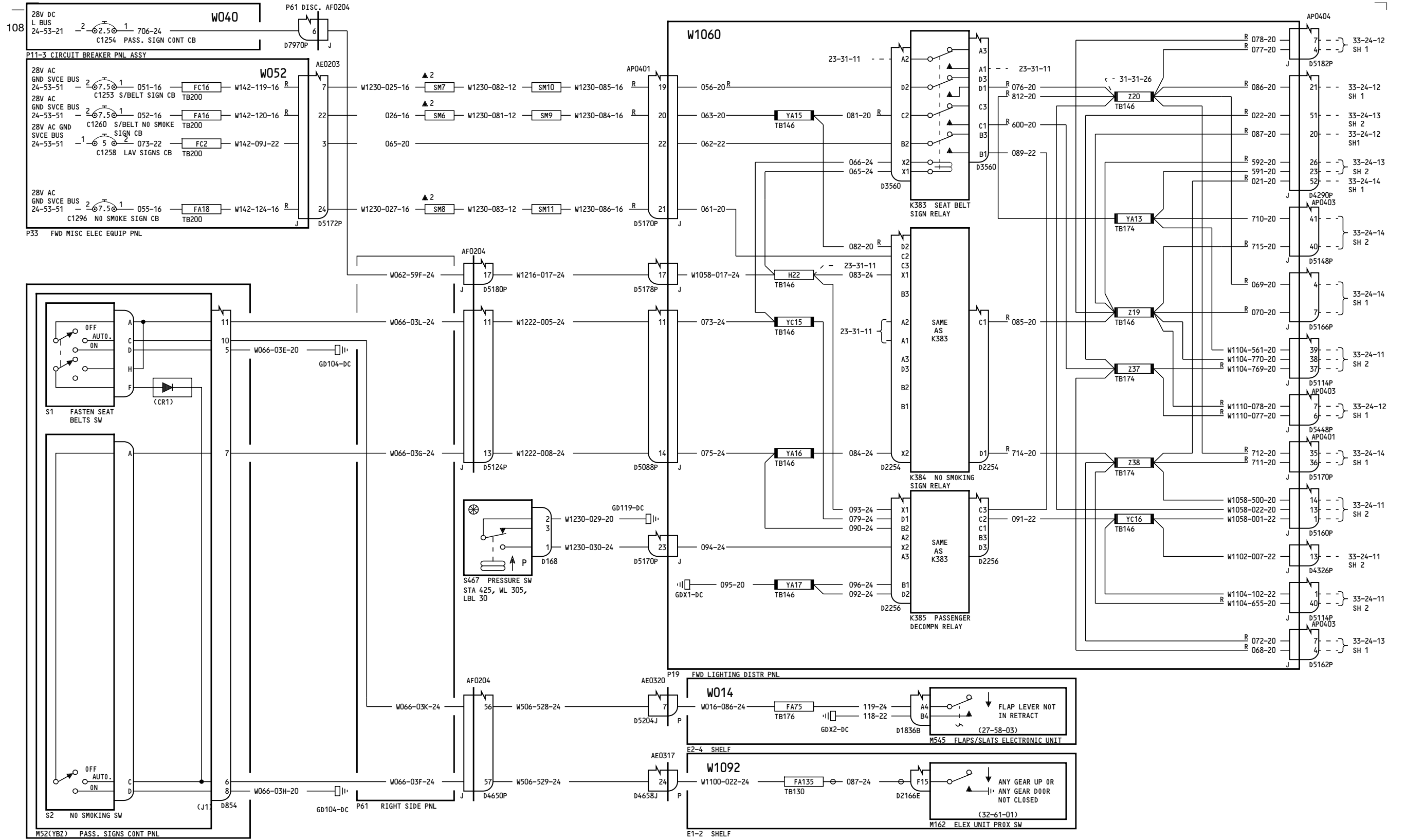
| | |
|-----|---------------------------------|
| 151 | PASSENGER SIGNS-LAVATORY |
| | D280T132 |

33-24-11

Page 3
Sheet 2
Jan 21/2005

33-24-11

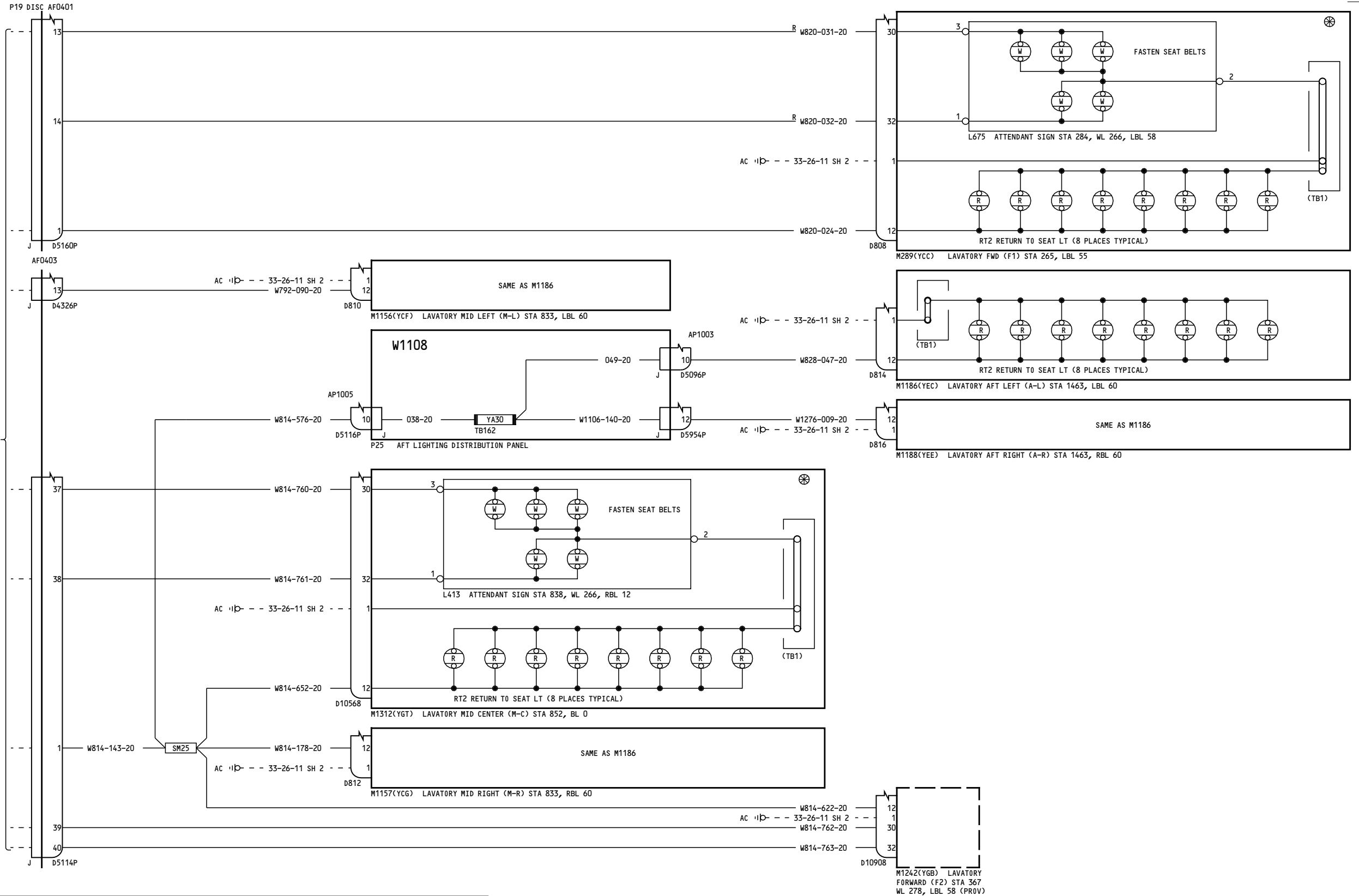
Page 3
Sheet 2
Jan 21/2005



275-276
 PASSENGER SIGNS-LAVATORY
 D280T132

33-24-11

33-24-11



275-276

**PASSENGER SIGNS-
LAVATORY**

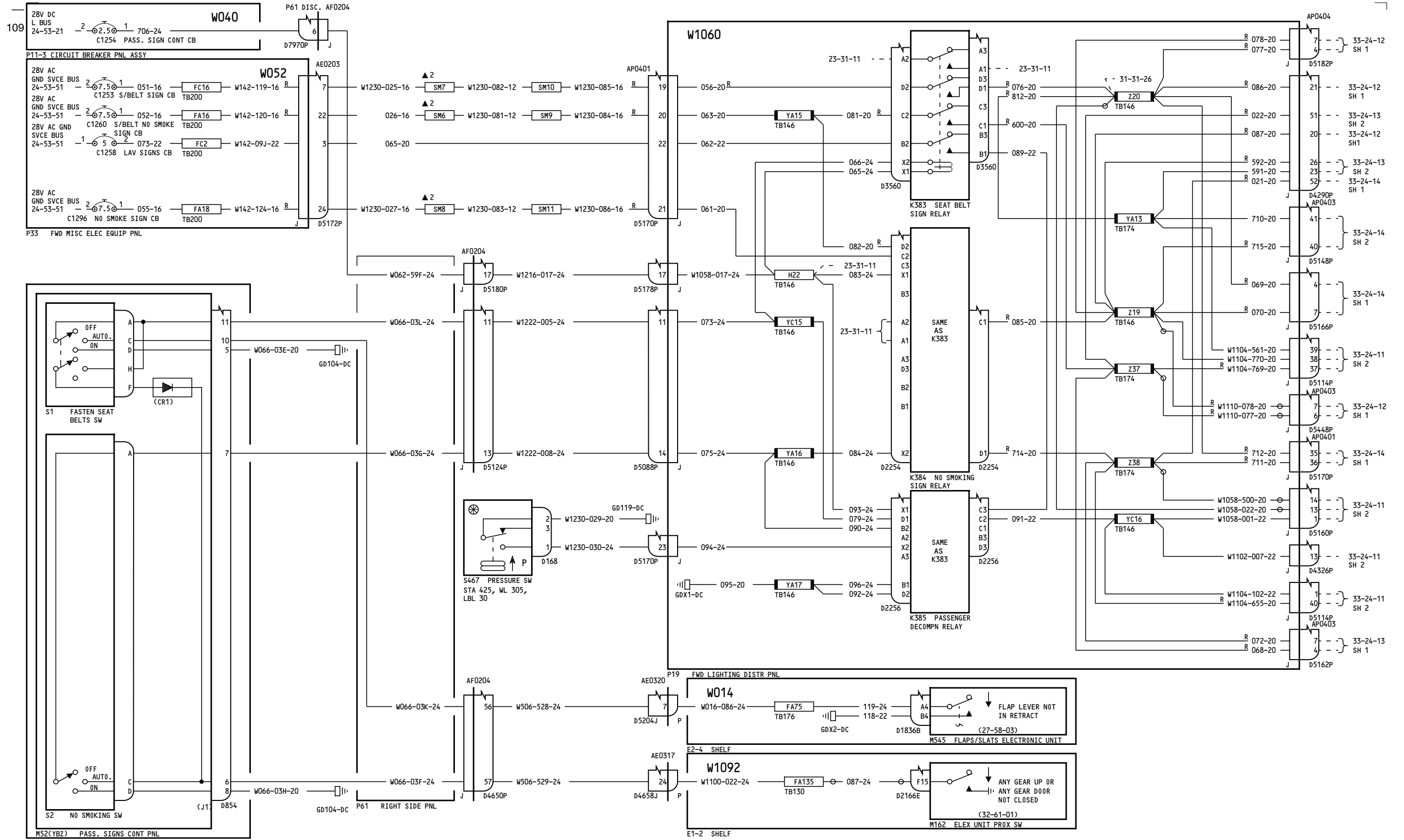
33-24-11

Page 4
Sheet 2
Jan 21/2005

D280T132

33-24-11

Page 4
Sheet 2
Jan 21/2005

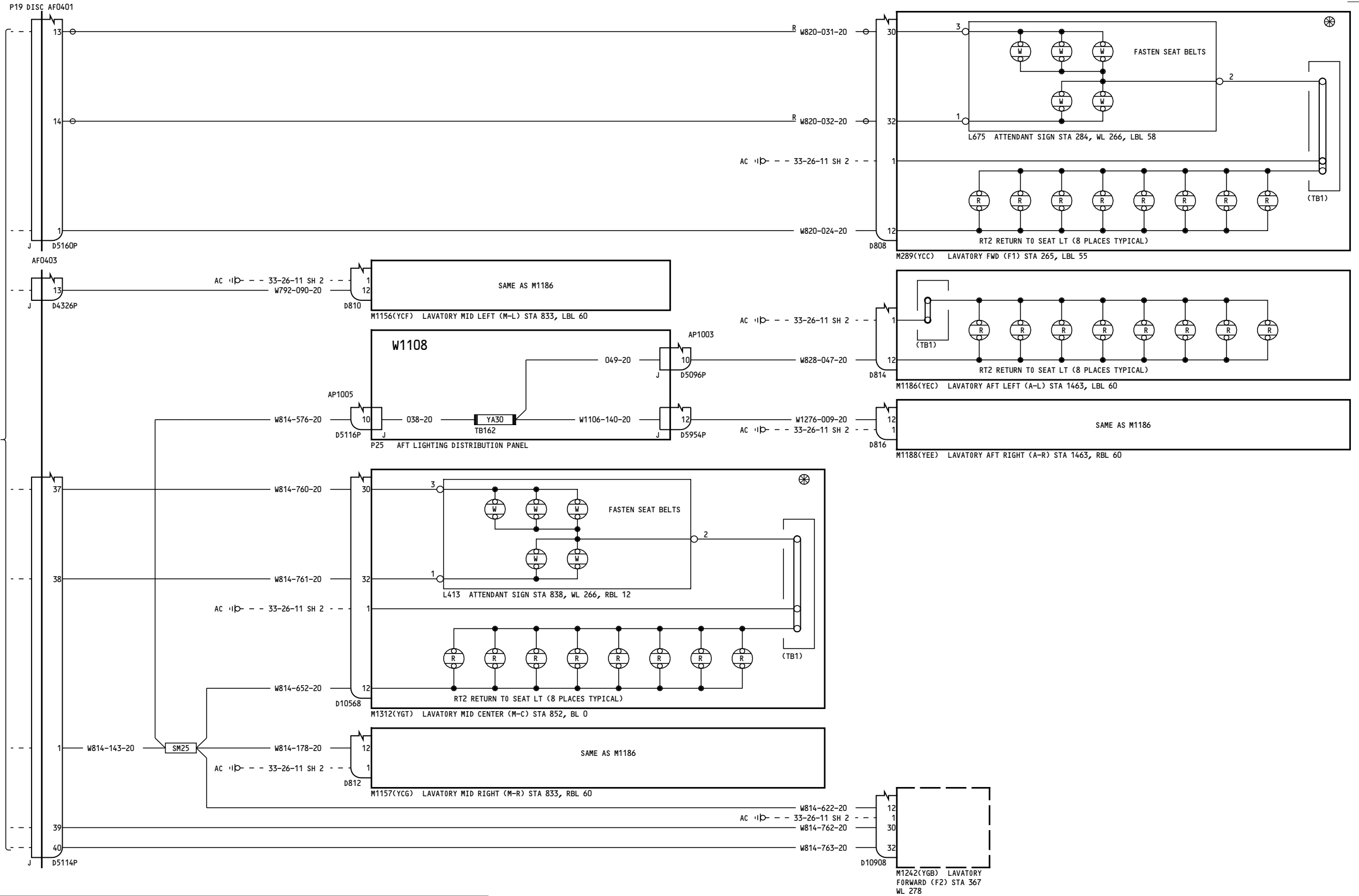


277-278
P5 PLT QVHD PNL

PASSENGER SIGNS-LAVATORY
D280T132

33-24-11

33-24-11



277-278

**PASSENGER SIGNS-
LAVATORY**

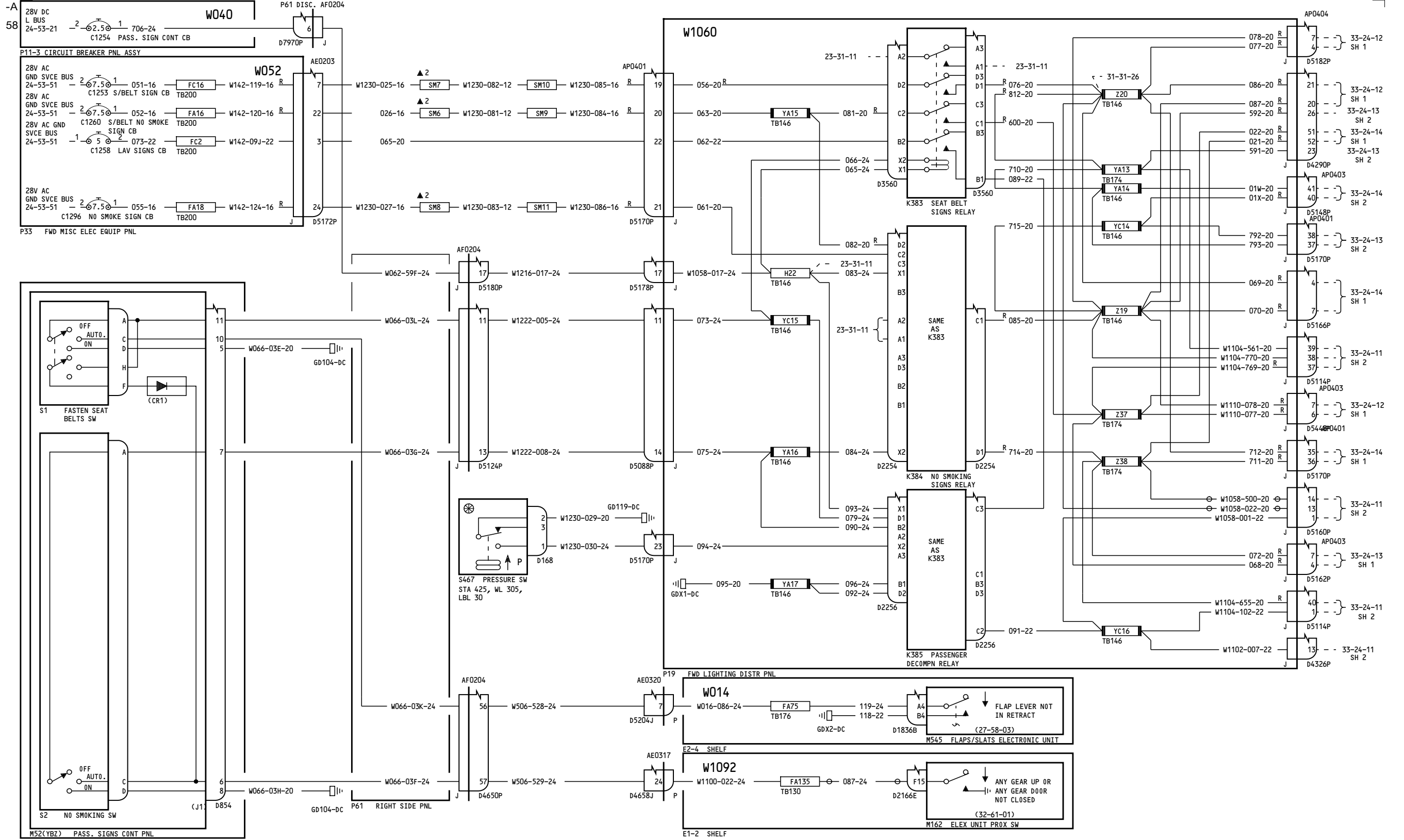
33-24-11

Page 5
Sheet 2
Jan 21/2005

D280T132

33-24-11

Page 5
Sheet 2
Jan 21/2005



280-299
 280-299
 280-299

PASSENGER SIGNS-LAVATORY
 D280T132

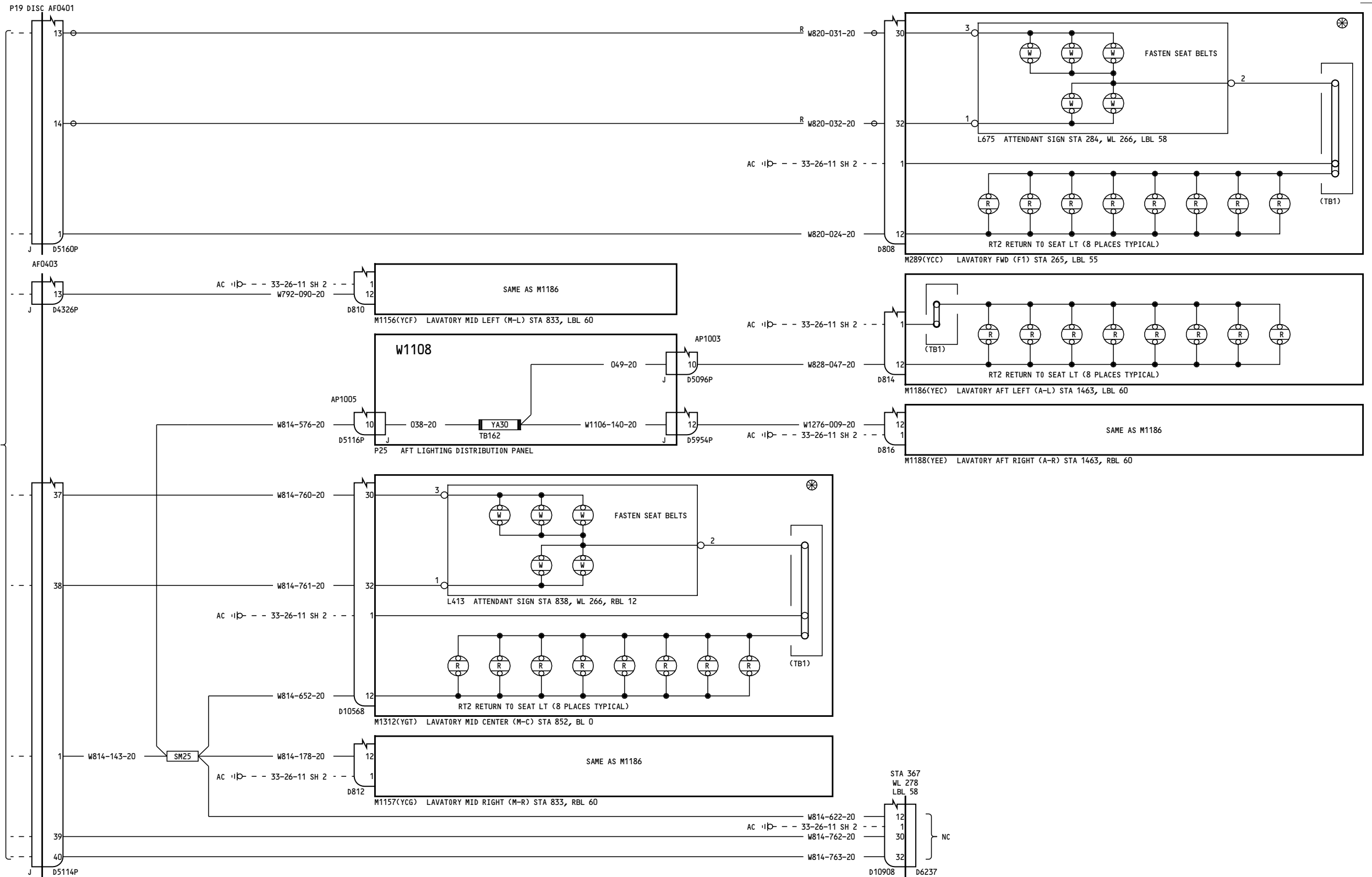
33-24-11

Page 6
 Sheet 1
 Jan 21/2005

33-24-11

Page 6
 Sheet 1
 Jan 21/2005

-A
58



280-299

**PASSENGER SIGNS-
LAVATORY**

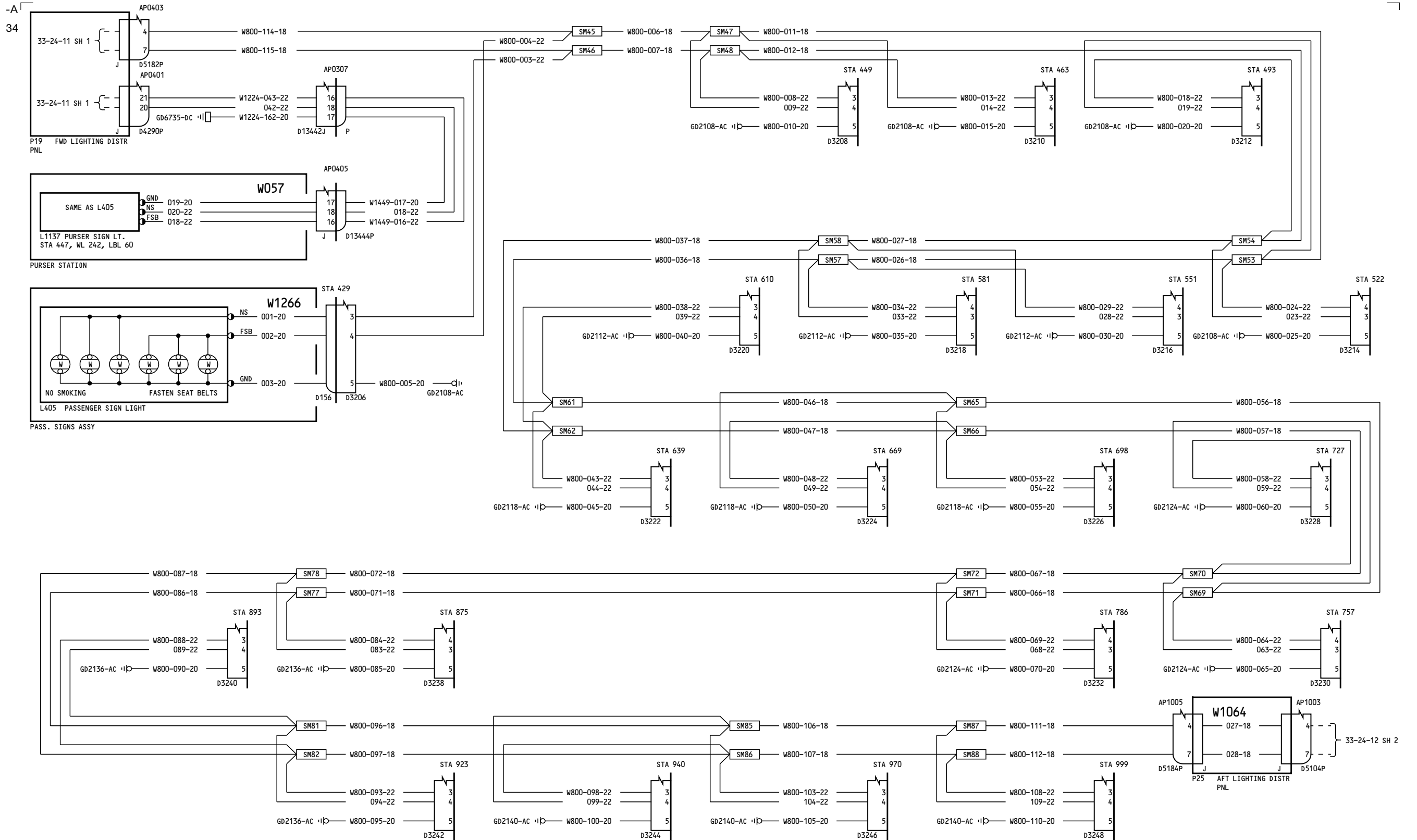
D280T132

33-24-11

Page 6
Sheet 2
Jan 21/2005

33-24-11

Page 6
Sheet 2
Jan 21/2005



050-099

PASSENGER SIGNS-LEFT

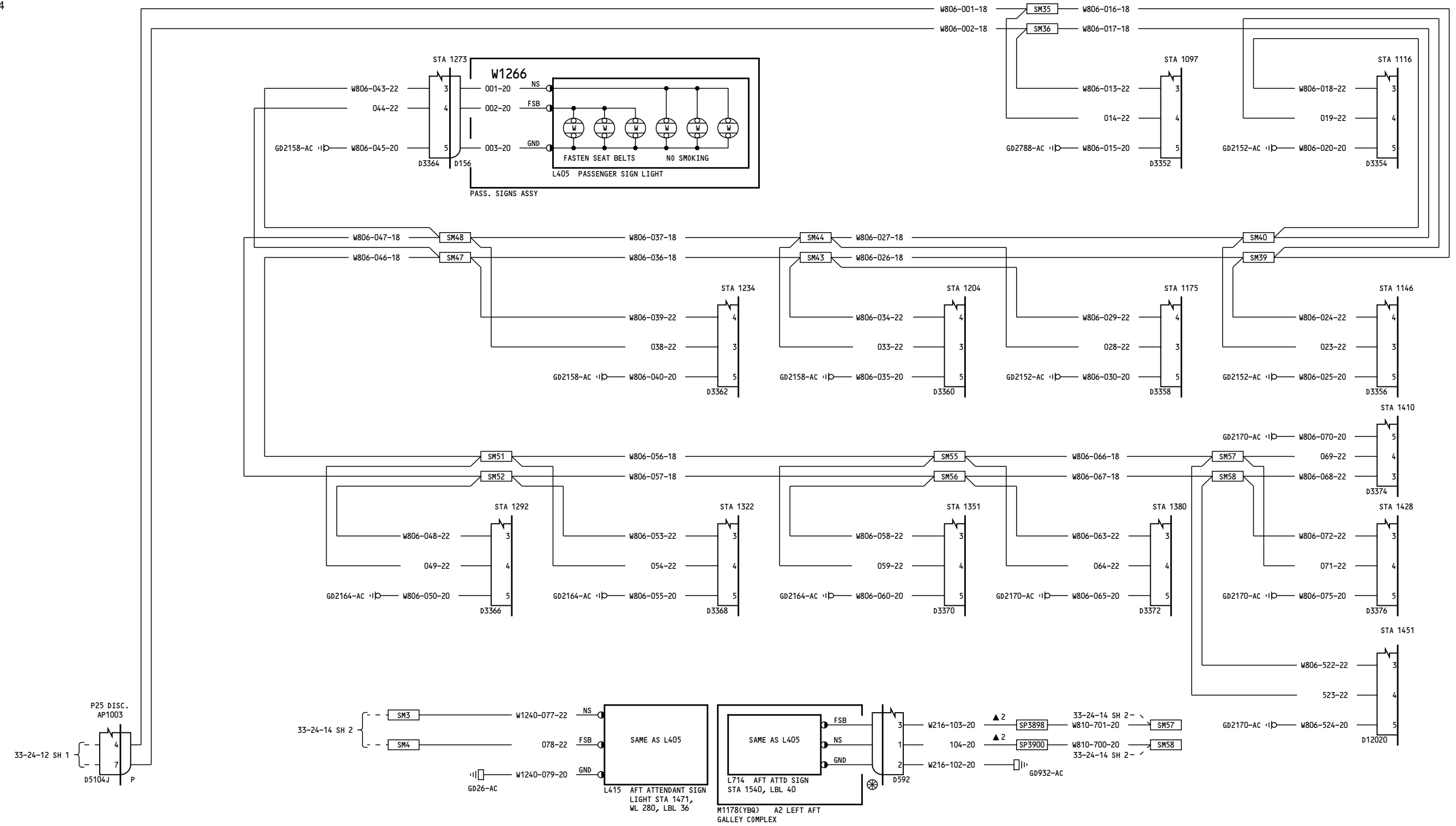
33-24-12

Page 1
Sheet 1
Jan 21/2005

D280T132

33-24-12

Page 1
Sheet 1
Jan 21/2005



050-099

PASSENGER SIGNS-LEFT

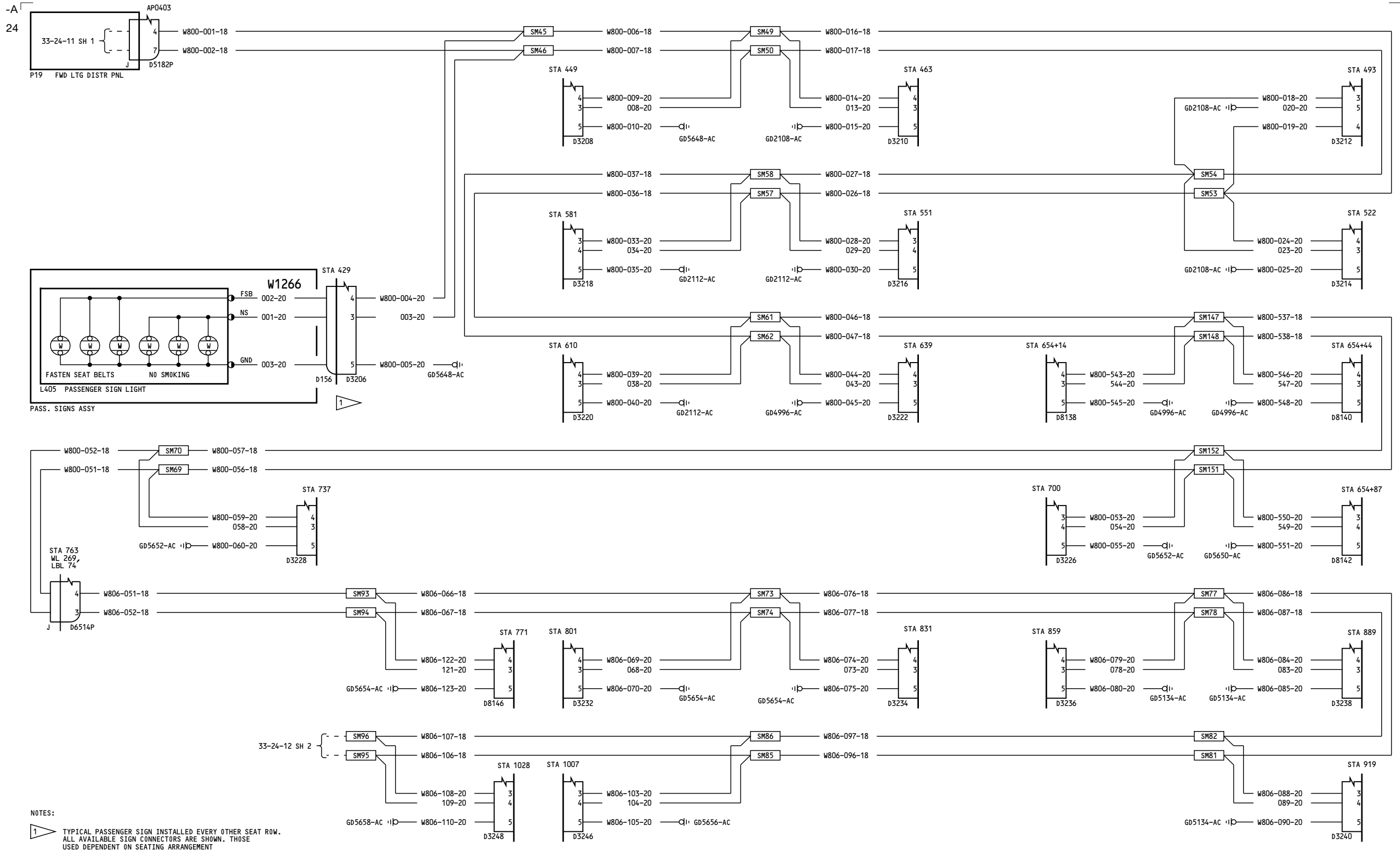
33-24-12

Page 1
Sheet 2
Jan 21/2005

D280T132

33-24-12

Page 1
Sheet 2
Jan 21/2005



150-199

PASSENGER SIGNS-LEFT

D280T132

33-24-12

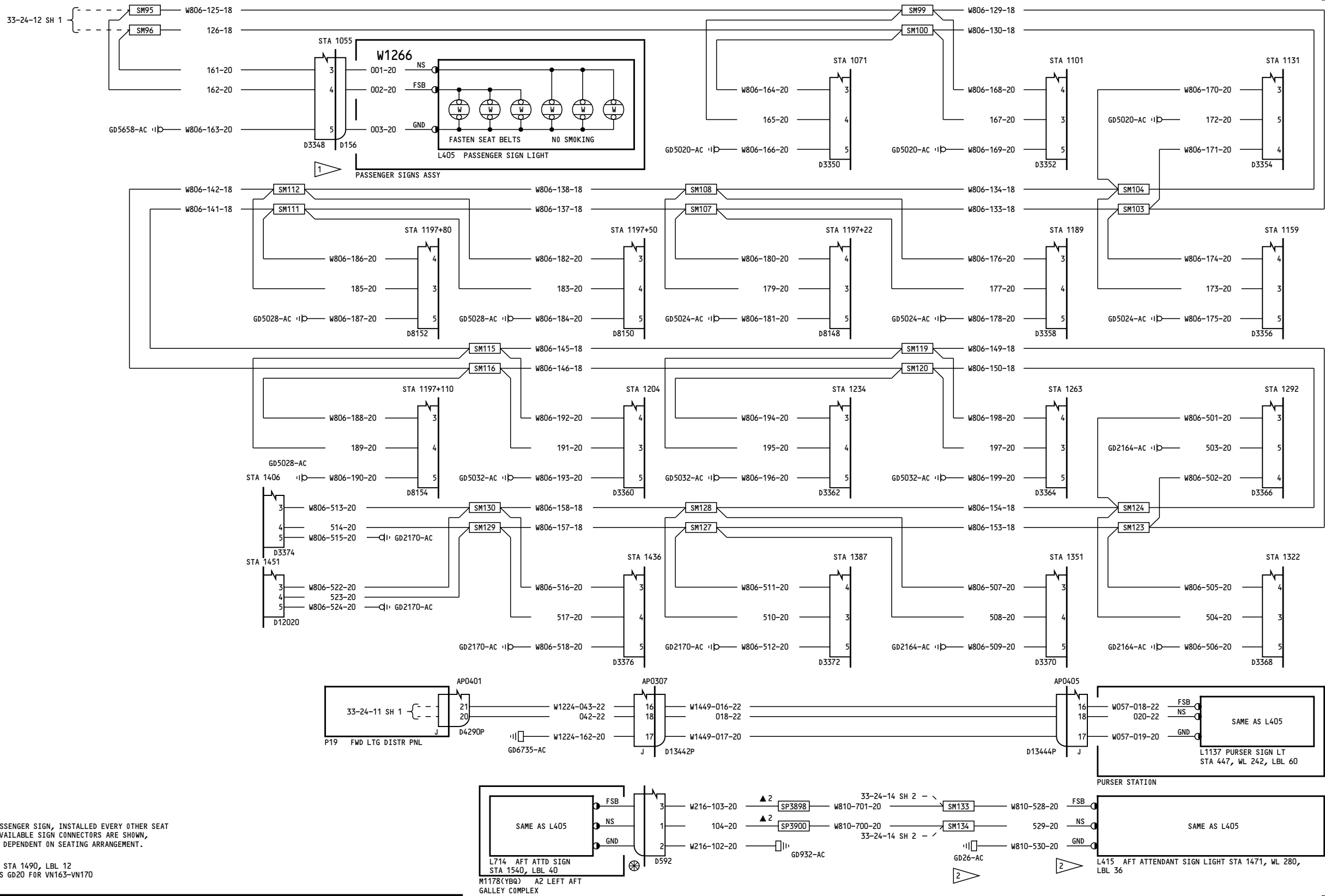
Page 2
Sheet 1
Jan 21/2005

BOEING PROPRIETARY - Copyright © - Unpublished Work - See title page for details.

33-24-12

Page 2
Sheet 1
Jan 21/2005

-A
24



NOTES:

1 TYPICAL PASSENGER SIGN, INSTALLED EVERY OTHER SEAT ROW. ALL AVAILABLE SIGN CONNECTORS ARE SHOWN, THOSE USED DEPENDENT ON SEATING ARRANGEMENT.

2 L415 IS AT STA 1490, LBL 12 AND GD26 IS GD20 FOR VN163-VN170

150-199

PASSENGER SIGNS-LEFT

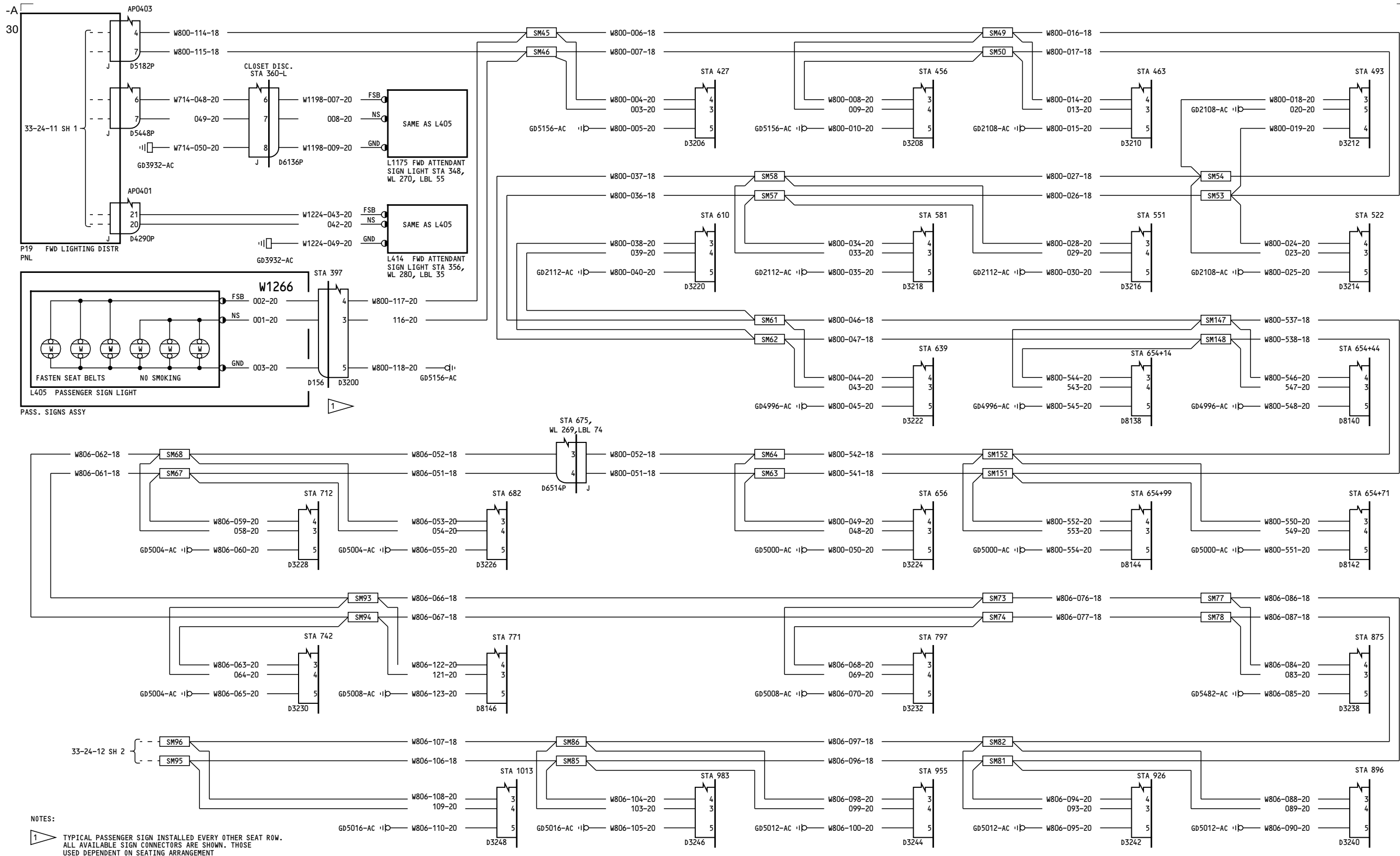
D280T132

33-24-12

Page 2
Sheet 2
Jan 21/2005

33-24-12

Page 2
Sheet 2
Jan 21/2005



NOTES:
 1 TYPICAL PASSENGER SIGN INSTALLED EVERY OTHER SEAT ROW.
 ALL AVAILABLE SIGN CONNECTORS ARE SHOWN. THOSE
 USED DEPENDENT ON SEATING ARRANGEMENT

275-276

PASSENGER SIGNS- LEFT

D280T132

33-24-12

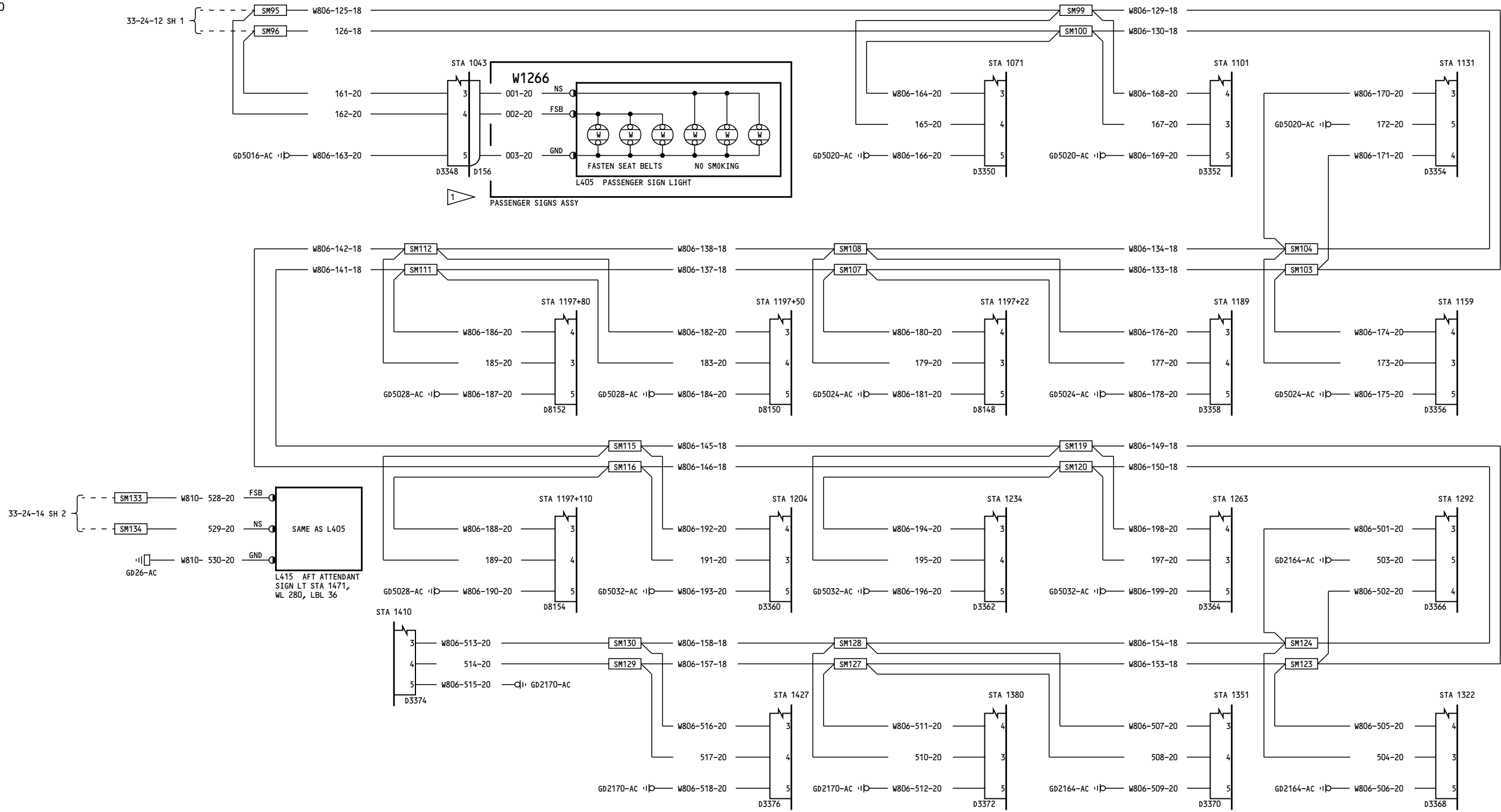
Page 3
Sheet 1
Jan 21/2005

33-24-12

Page 3
Sheet 1
Jan 21/2005



767-200/300 WIRING DIAGRAM MANUAL



NOTES:
 1 TYPICAL PASSENGER SIGN, INSTALLED EVERY OTHER SEAT ROW. ALL AVAILABLE SIGN CONNECTORS ARE SHOWN, THOSE USED DEPENDENT ON SEATING ARRANGEMENT.

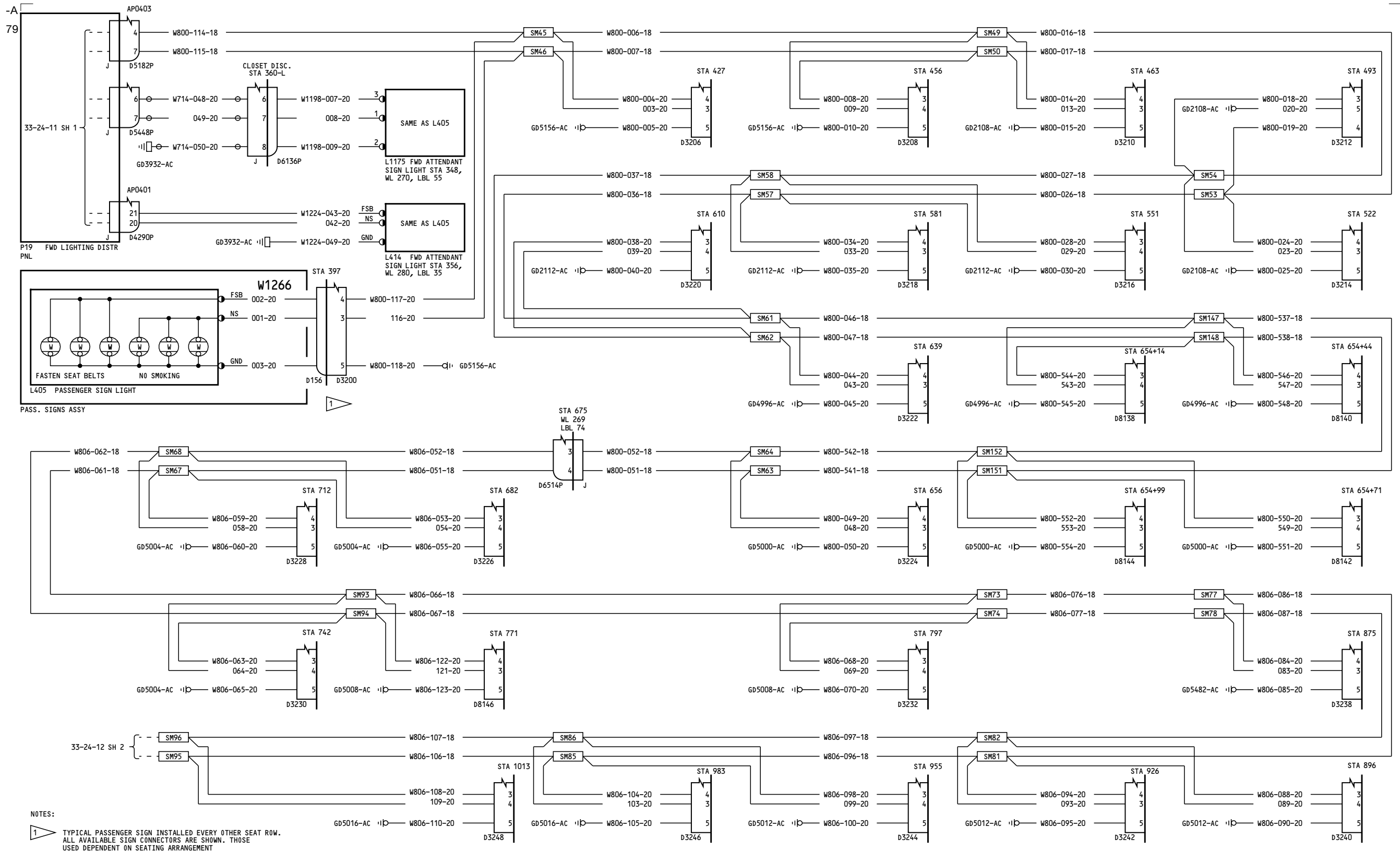
| | |
|---------|---------------------------------------------|
| 275-276 | PASSENGER SIGNS-LEFT D280T132 |
|---------|---------------------------------------------|

33-24-12

Page 3
 Sheet 2
 Jan 21/2005

33-24-12

Page 3
 Sheet 2
 Jan 21/2005



NOTES:
 1 TYPICAL PASSENGER SIGN INSTALLED EVERY OTHER SEAT ROW.
 ALL AVAILABLE SIGN CONNECTORS ARE SHOWN. THOSE
 USED DEPENDENT ON SEATING ARRANGEMENT

277-278

PASSENGER SIGNS- LEFT

D280T132

33-24-12

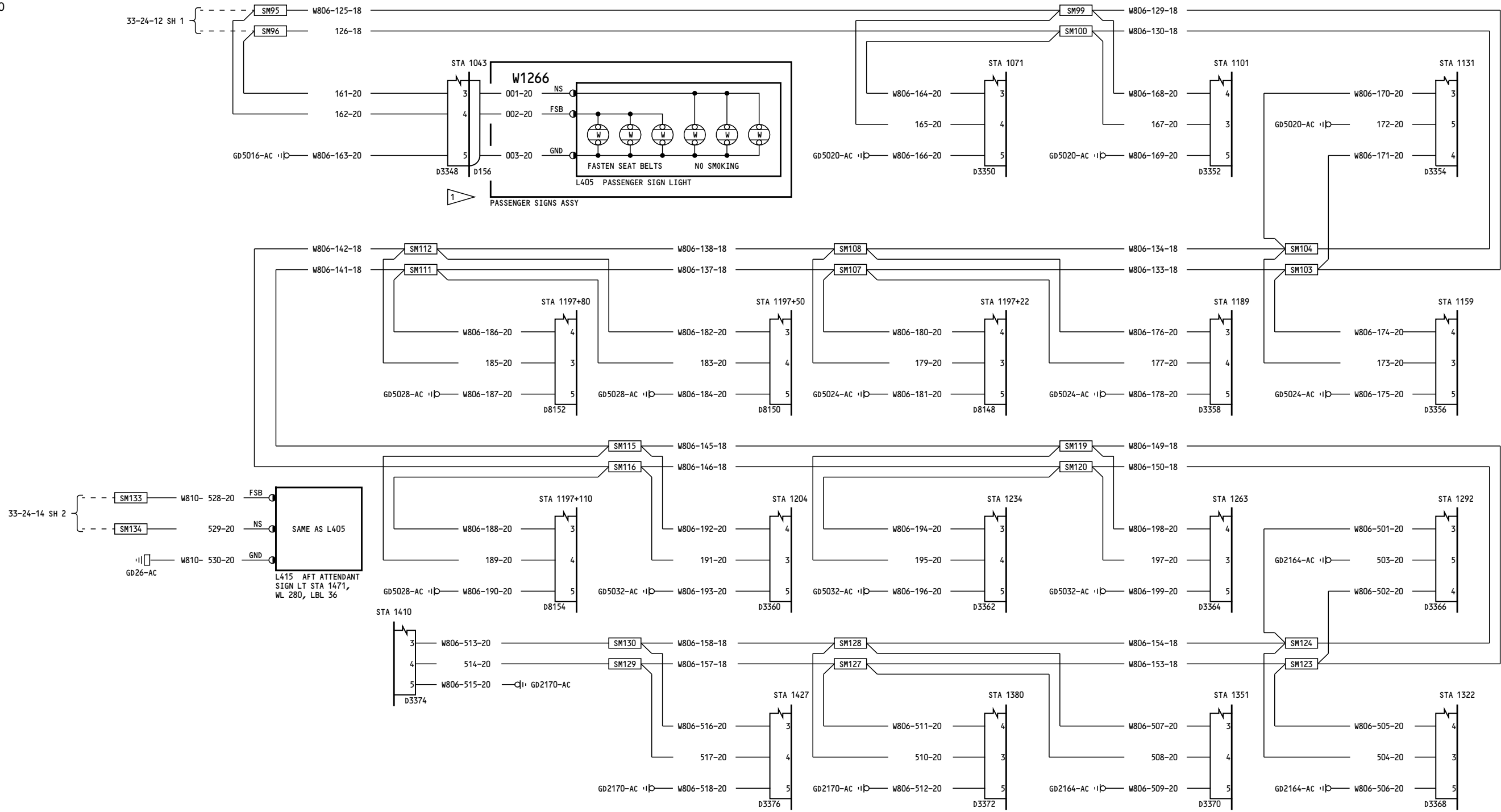
Page 4
 Sheet 1
 Jan 21/2005

33-24-12

Page 4
 Sheet 1
 Jan 21/2005



767-200/300 WIRING DIAGRAM MANUAL

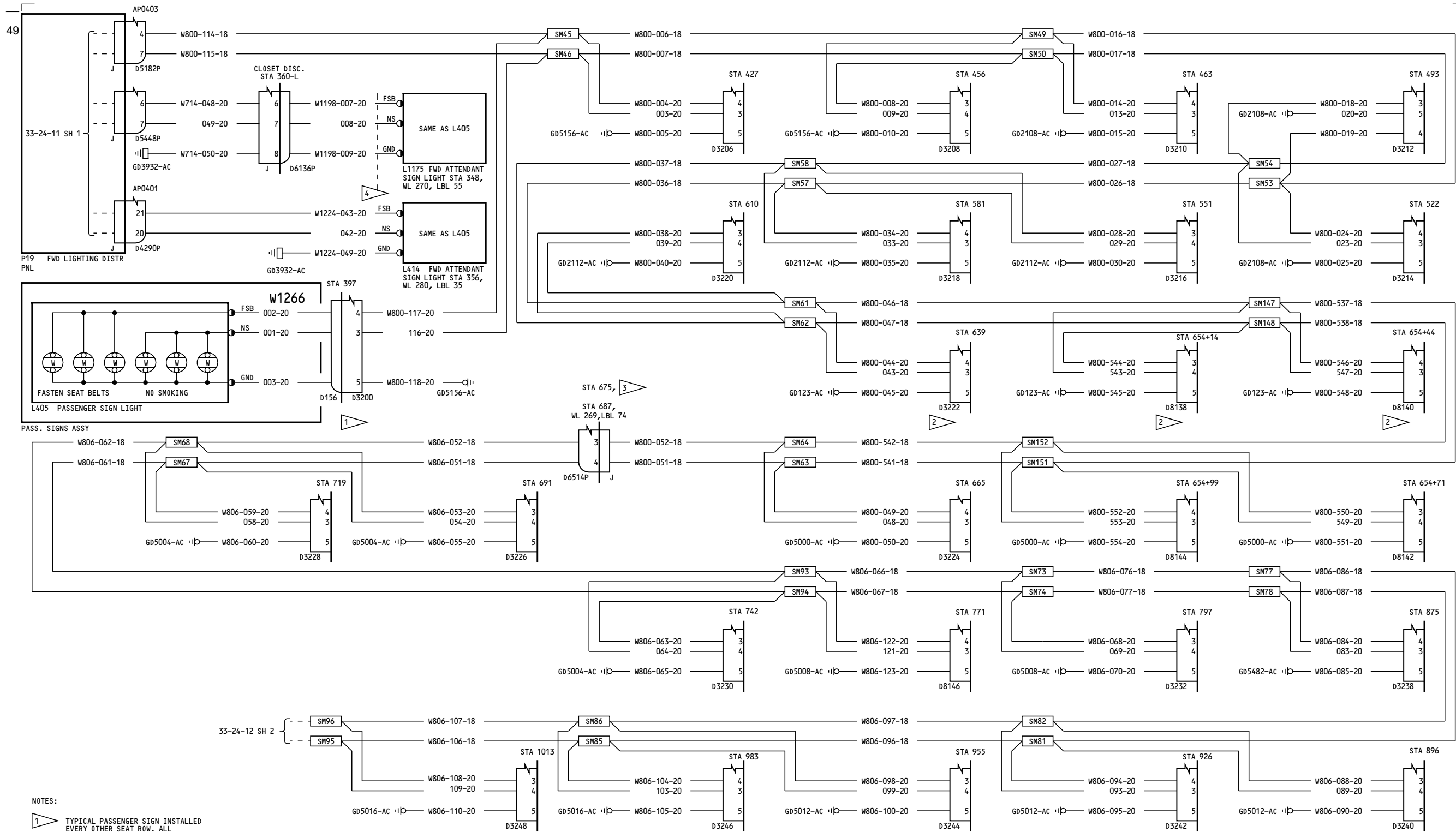


NOTES:
 1 TYPICAL PASSENGER SIGN, INSTALLED EVERY OTHER SEAT ROW. ALL AVAILABLE SIGN CONNECTORS ARE SHOWN, THOSE USED DEPENDENT ON SEATING ARRANGEMENT.

| | |
|---------|---------------------------------------------|
| 277-278 | PASSENGER SIGNS-LEFT D280T132 |
|---------|---------------------------------------------|

33-24-12
 Page 4
 Sheet 2
 Jan 21/2005

33-24-12
 Page 4
 Sheet 2
 Jan 21/2005



- NOTES:
- 1 TYPICAL PASSENGER SIGN INSTALLED EVERY OTHER SEAT ROW. ALL AVAILABLE SIGN CONNECTORS ARE SHOWN. THOSE USED DEPENDENT ON SEATING ARRANGEMENT.
 - 2 INSTALLED IN ALTERNATE CONFIGURATION CAP AND STOW IN DELIVERY
 - 3 STA LOCATION FOR ALTERNATE CONFIGURATION.
 - 4 W1198 NOT INSTALLED DURING DELIVERY

280-299

PASSENGER SIGNS- LEFT

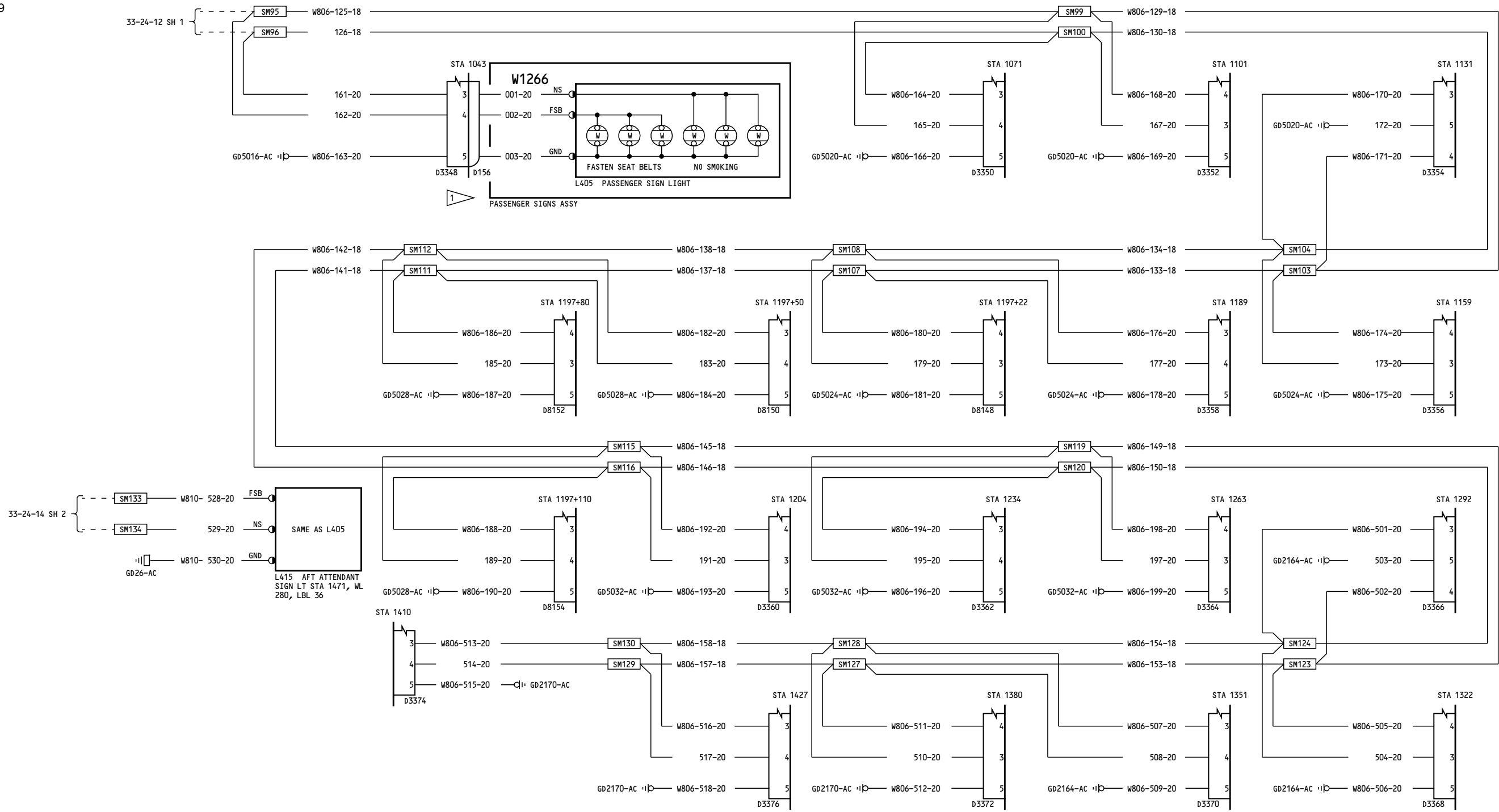
D280T132

33-24-12

Page 5
Sheet 1
Jan 21/2005

33-24-12

Page 5
Sheet 1
Jan 21/2005



NOTES:
 1 TYPICAL PASSENGER SIGN, INSTALLED EVERY OTHER SEAT ROW. ALL AVAILABLE SIGN CONNECTORS ARE SHOWN, THOSE USED DEPENDENT ON SEATING ARRANGEMENT.

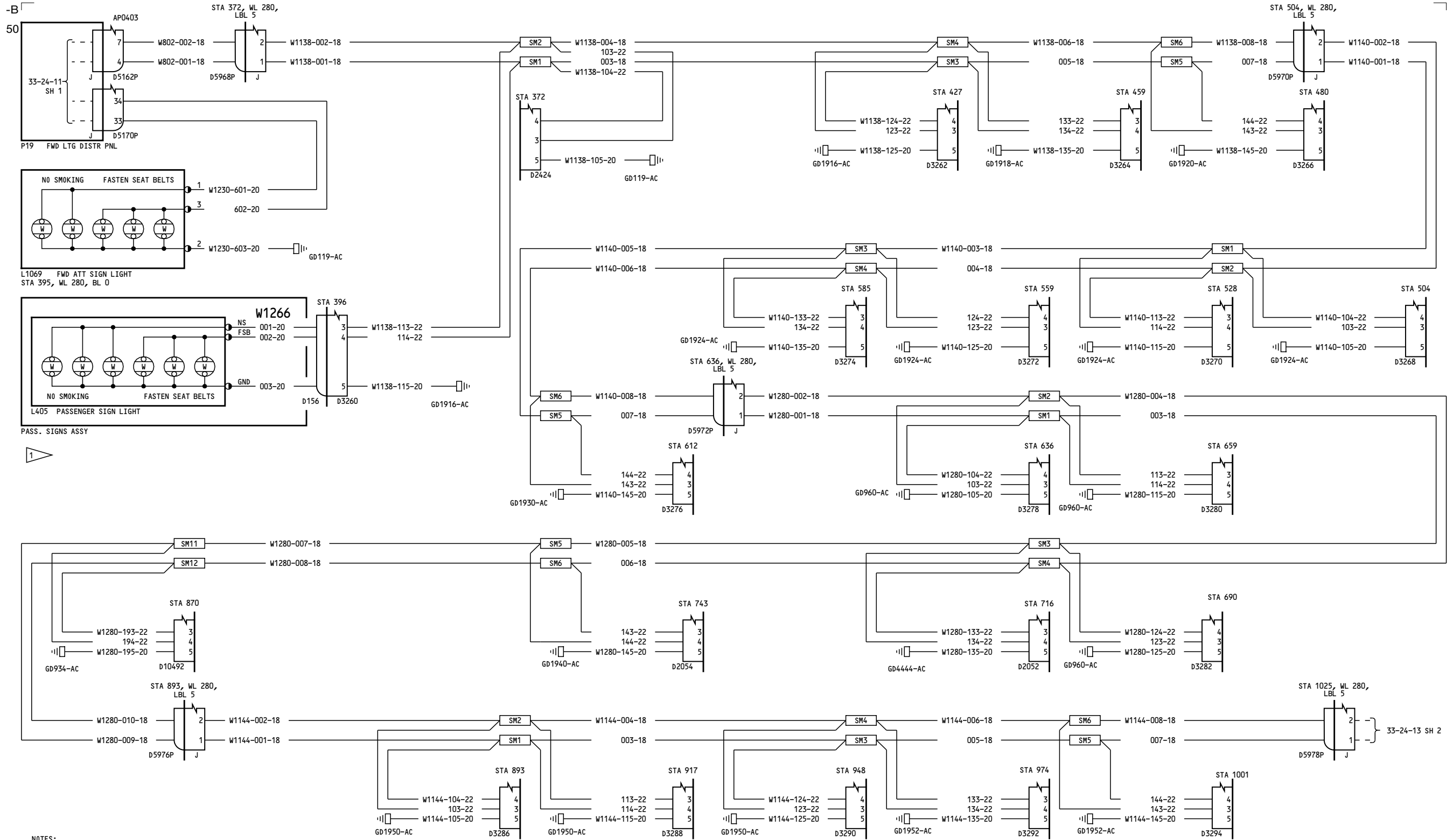
| | |
|---------|----------------------------------------------------------------------------------|
| 280-299 | <p align="center">PASSENGER SIGNS-LEFT</p> <p align="center">D280T132</p> |
|---------|----------------------------------------------------------------------------------|

33-24-12

Page 5
Sheet 2
Jan 21/2005

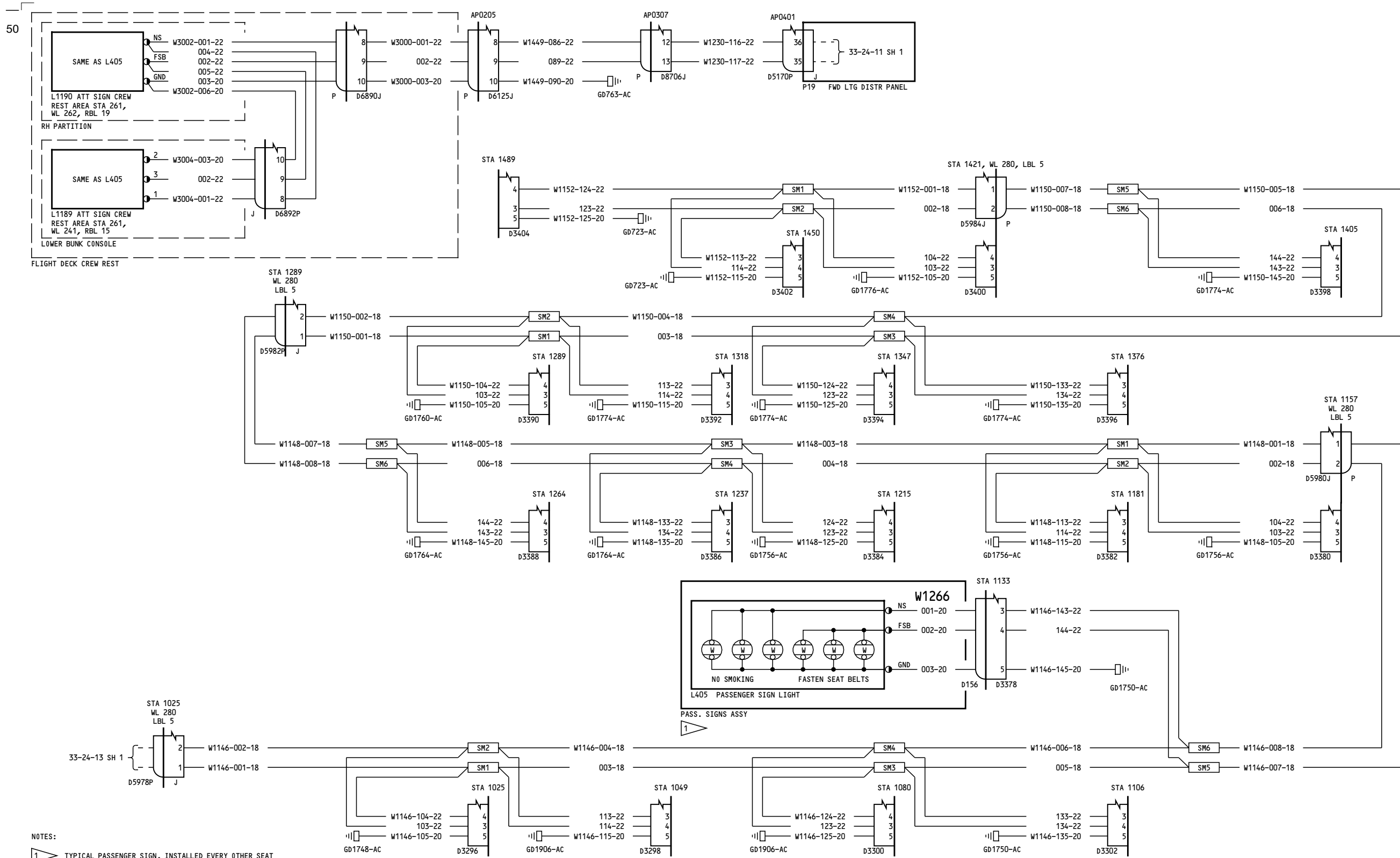
33-24-12

Page 5
Sheet 2
Jan 21/2005



NOTES:
 1 TYPICAL PASSENGER SIGN, INSTALLED EVERY OTHER SEAT ROW. ALL AVAILABLE SIGN CONNECTORS ARE SHOWN, THOSE USED DEPENDENT ON SEATING ARRANGEMENT.

| | |
|---------|-----------------------------------------------------------------------------------------------------------------------------------------------------------------------------------|
| 050-099 | <p align="center">PASSENGER SIGNS-CENTER</p> <p align="center">33-24-13</p> <p align="center">Page 1 Sheet 1 Jan 21/2005</p> <p align="center">D280T132</p> |
|---------|-----------------------------------------------------------------------------------------------------------------------------------------------------------------------------------|



NOTES:
 1 TYPICAL PASSENGER SIGN, INSTALLED EVERY OTHER SEAT ROW. ALL AVAILABLE SIGN CONNECTORS ARE SHOWN, THOSE USED DEPENDENT ON SEATING ARRANGEMENT.

050-099

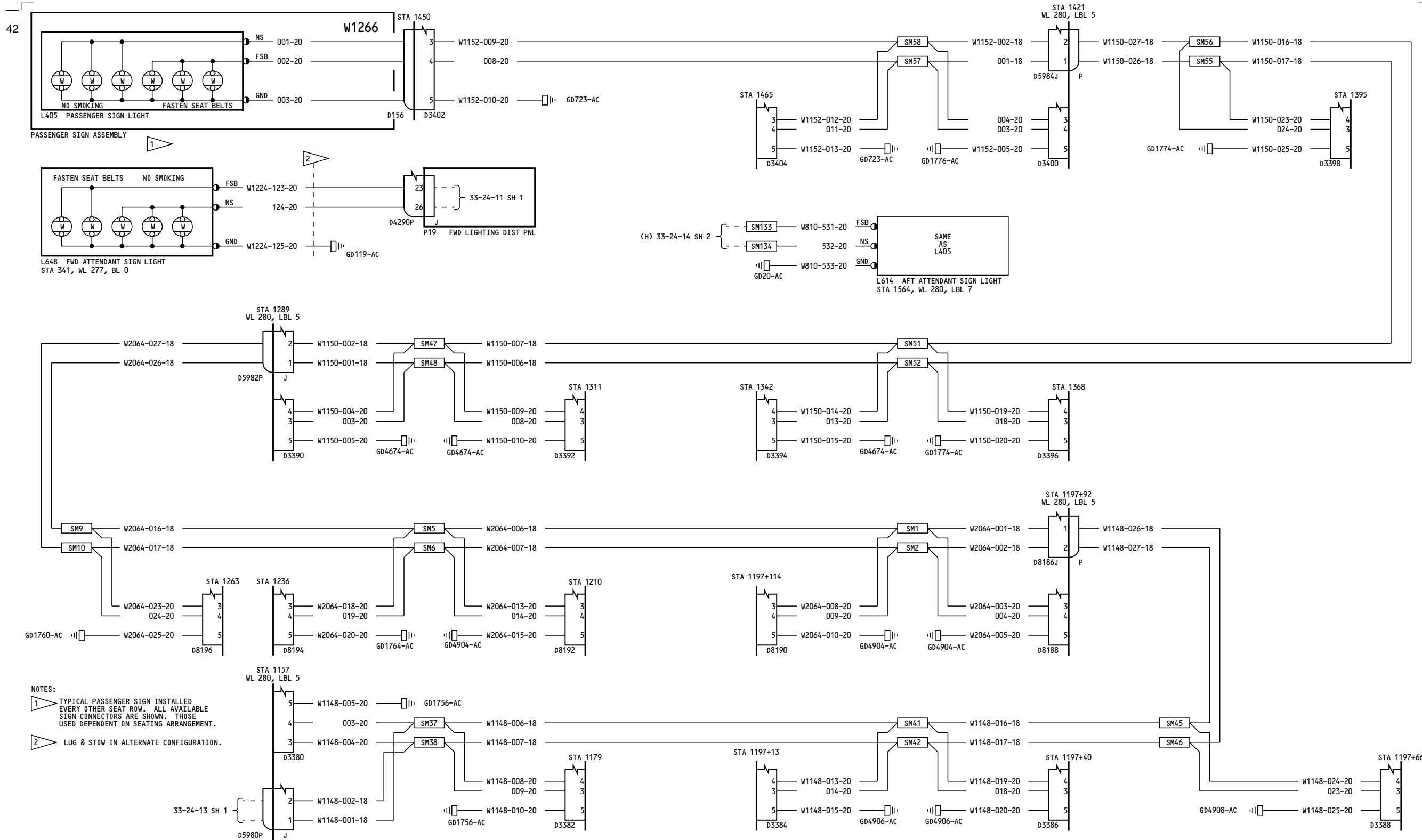
PASSENGER SIGNS-CENTER
 D280T132

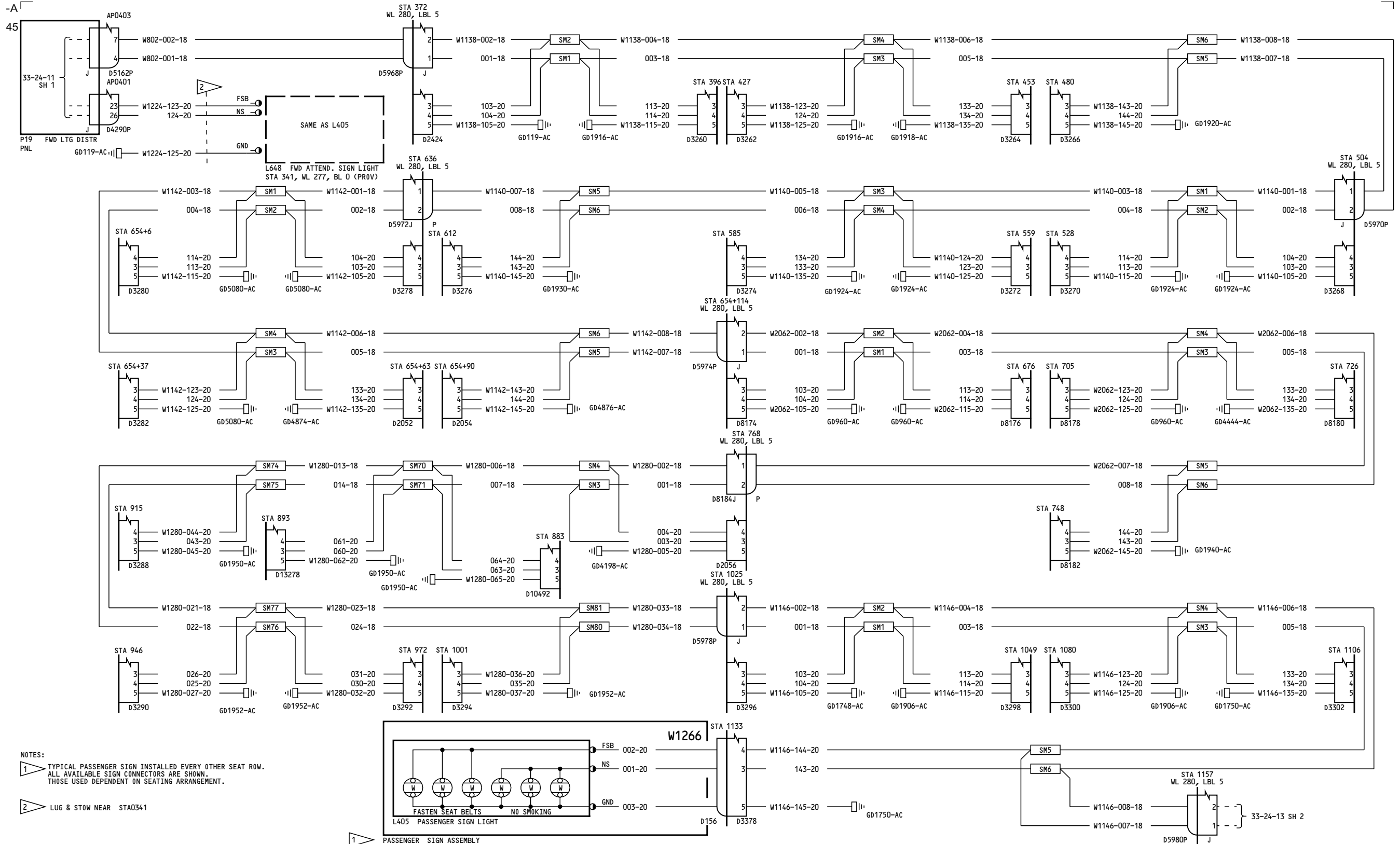
33-24-13

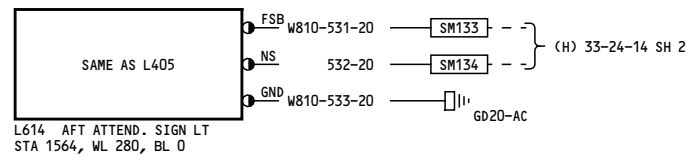
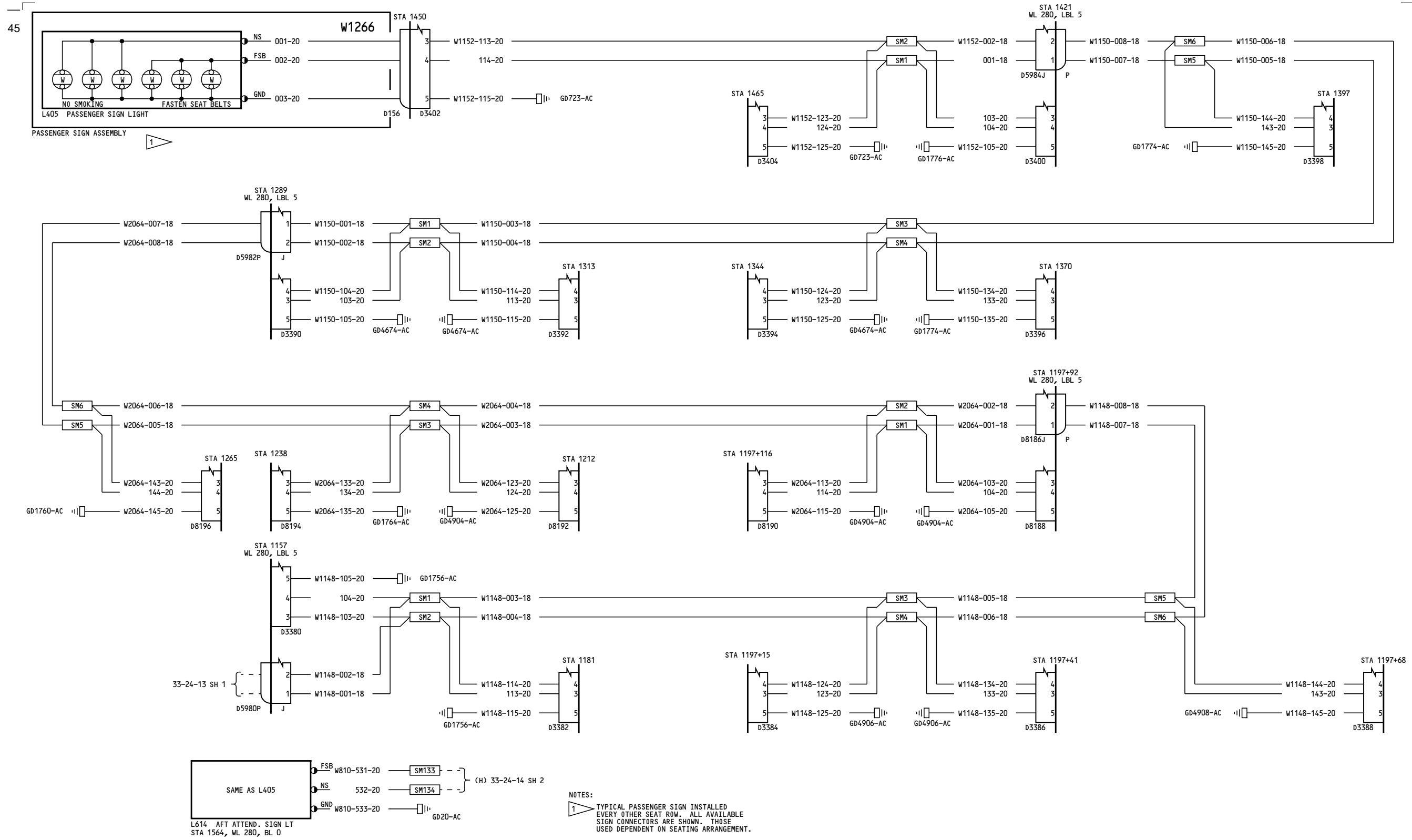
Page 1
 Sheet 2
 Jan 21/2005

33-24-13

Page 1
 Sheet 2
 Jan 21/2005





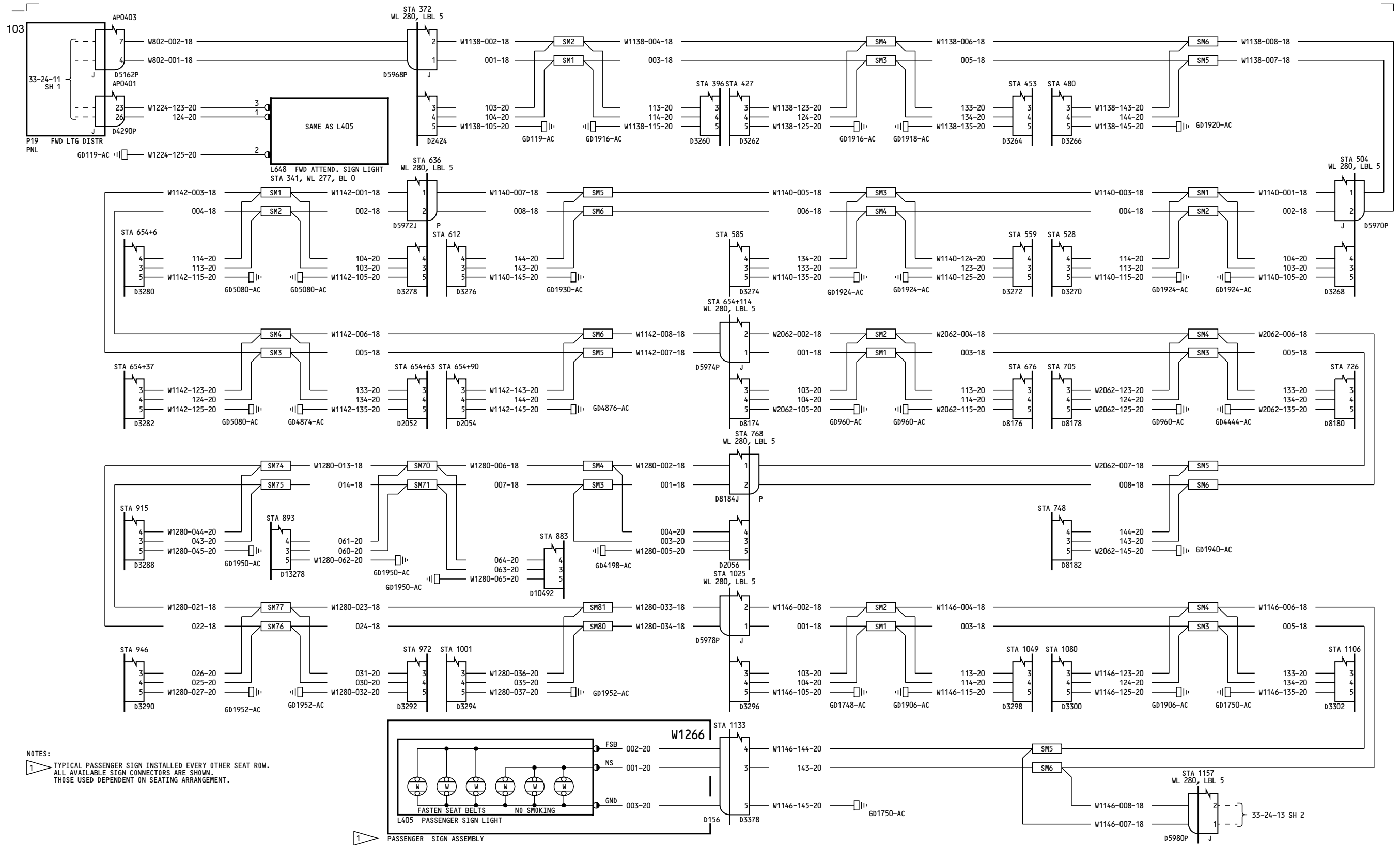


NOTES:
 1 TYPICAL PASSENGER SIGN INSTALLED EVERY OTHER SEAT ROW. ALL AVAILABLE SIGN CONNECTORS ARE SHOWN. THOSE USED DEPENDENT ON SEATING ARRANGEMENT.

| | |
|-----|-----------------------------------------------|
| 276 | PASSENGER SIGNS-CENTER D280T132 |
|-----|-----------------------------------------------|

33-24-13
 Page 4
 Sheet 2
 Jan 21/2005

33-24-13
 Page 4
 Sheet 2
 Jan 21/2005



NOTES:
 1 TYPICAL PASSENGER SIGN INSTALLED EVERY OTHER SEAT ROW.
 ALL AVAILABLE SIGN CONNECTORS ARE SHOWN.
 THOSE USED DEPENDENT ON SEATING ARRANGEMENT.

PASSENGER SIGN ASSEMBLY

277-278

PASSENGER SIGNS-CENTER

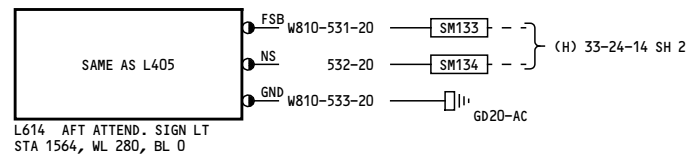
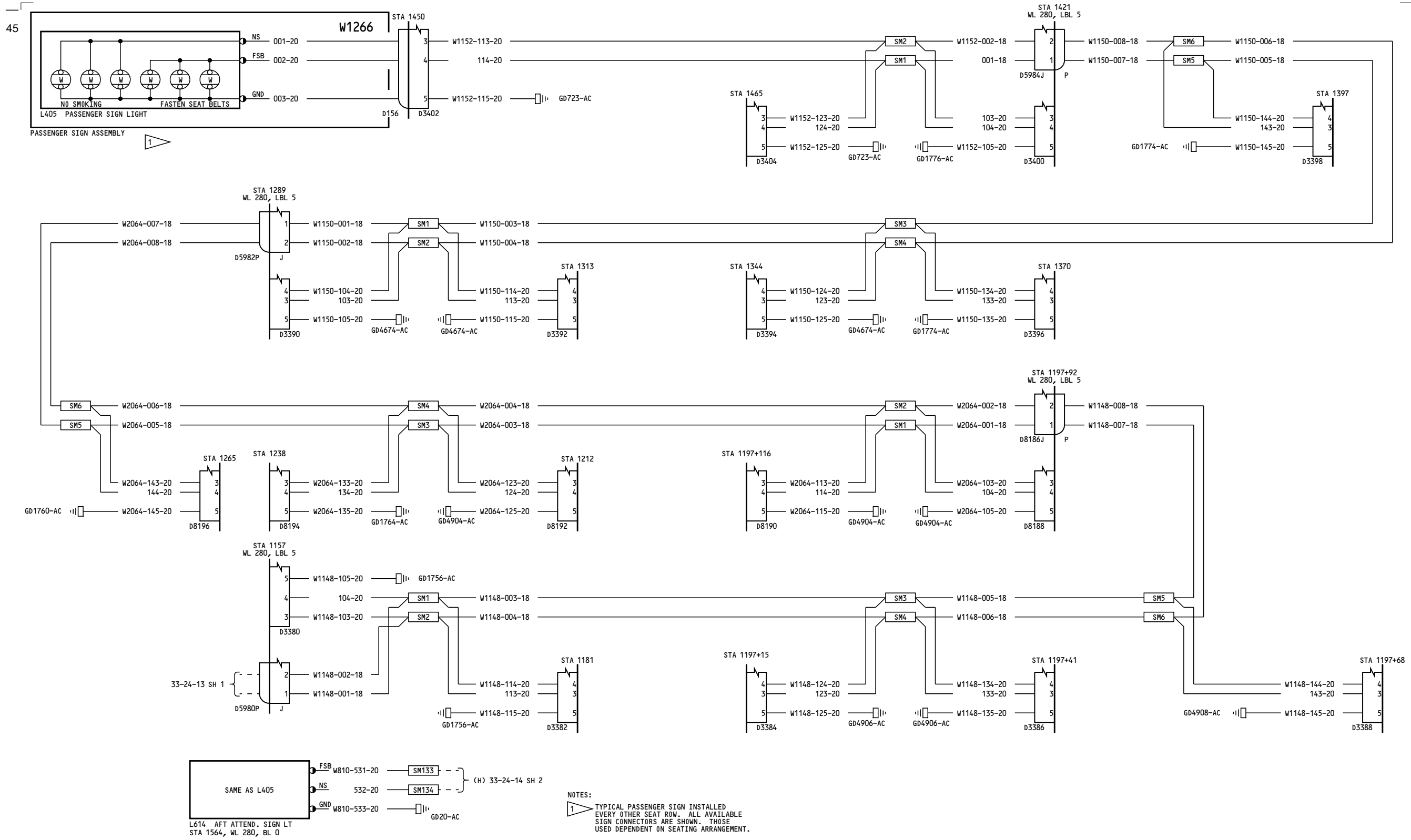
D280T132

33-24-13

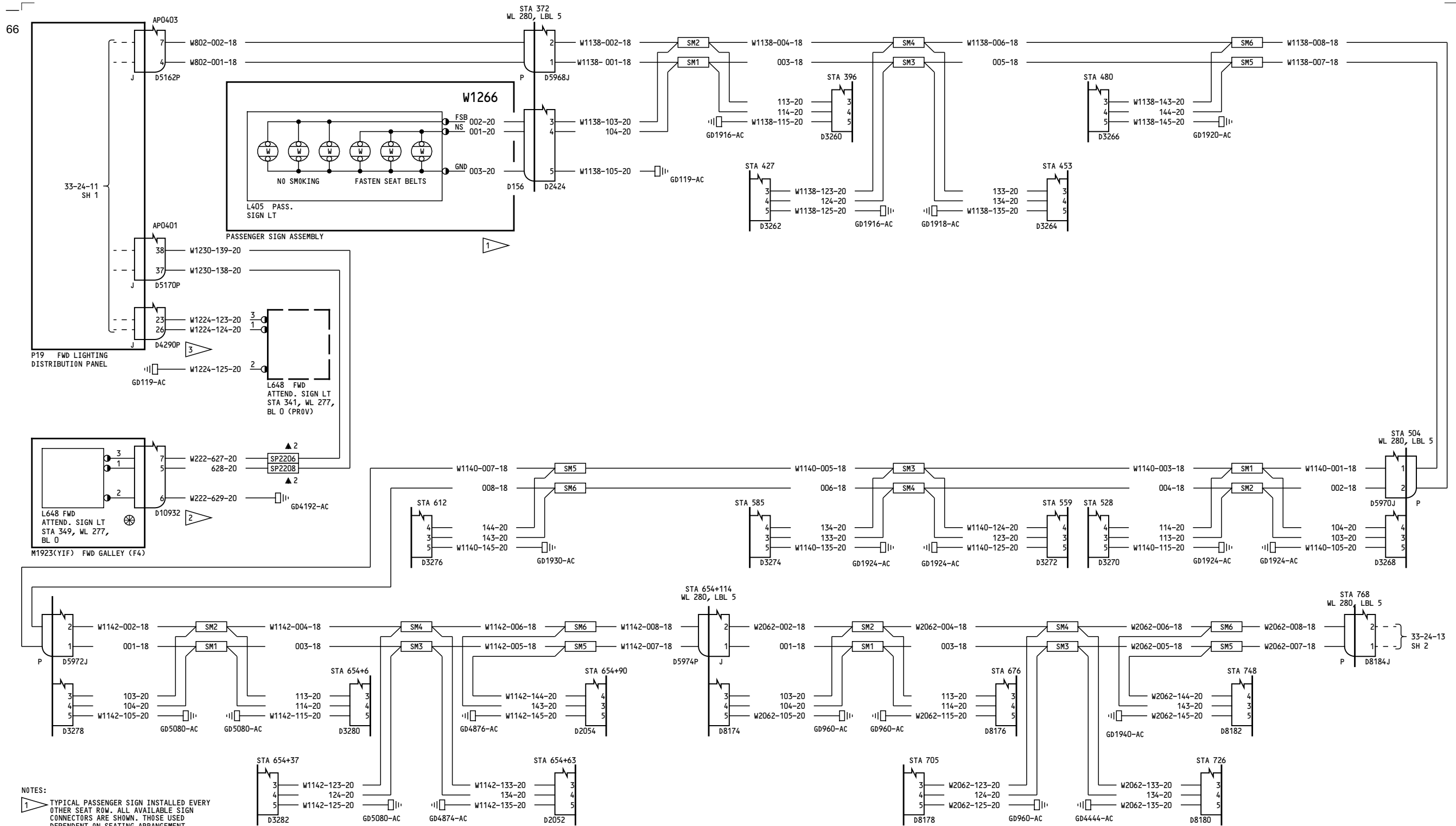
Page 5
Sheet 1
Jan 21/2005

33-24-13

Page 5
Sheet 1
Jan 21/2005



NOTES:
 1 TYPICAL PASSENGER SIGN INSTALLED EVERY OTHER SEAT ROW. ALL AVAILABLE SIGN CONNECTORS ARE SHOWN. THOSE USED DEPENDENT ON SEATING ARRANGEMENT.



- NOTES:
- 1 TYPICAL PASSENGER SIGN INSTALLED EVERY OTHER SEAT ROW. ALL AVAILABLE SIGN CONNECTORS ARE SHOWN. THOSE USED DEPENDENT ON SEATING ARRANGEMENT
 - 2 CAP AND STOW IN ALTERNATE CONFIGURATION
 - 3 INSTALLED IN ALTERNATE CONFIGURATION NO CONNECTION IN DELIVERY

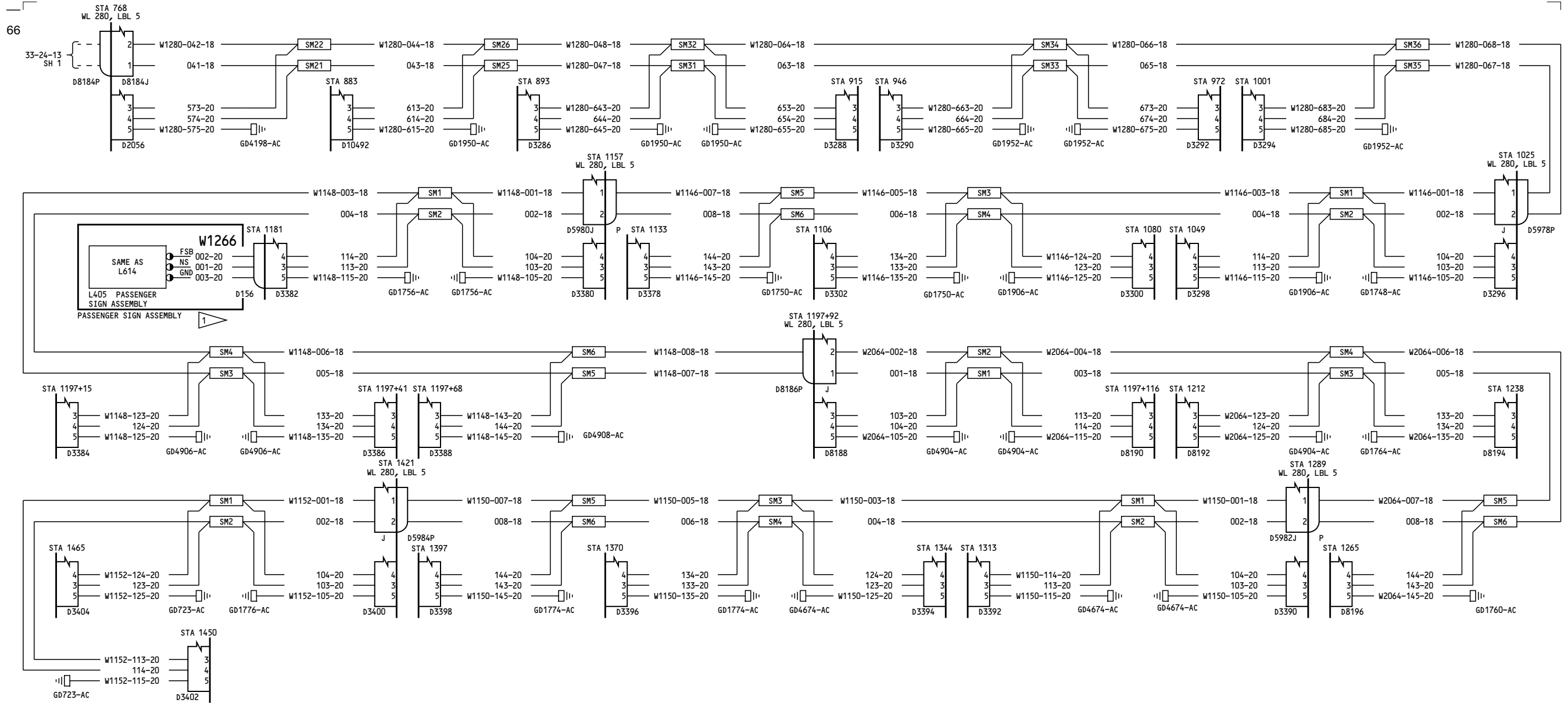
| | | |
|---------|-------------------------------|--|
| 280-299 | PASSENGER SIGNS-CENTER | |
| | D280T132 | |

33-24-13

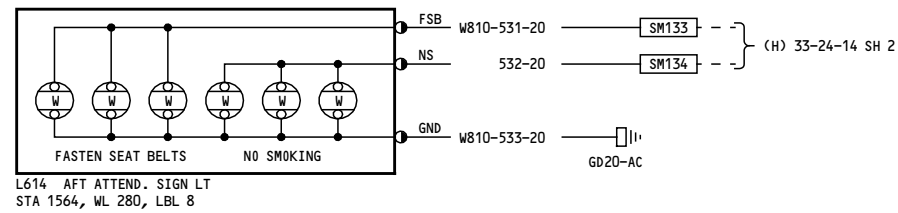
Page 6
Sheet 1
Jan 21/2005

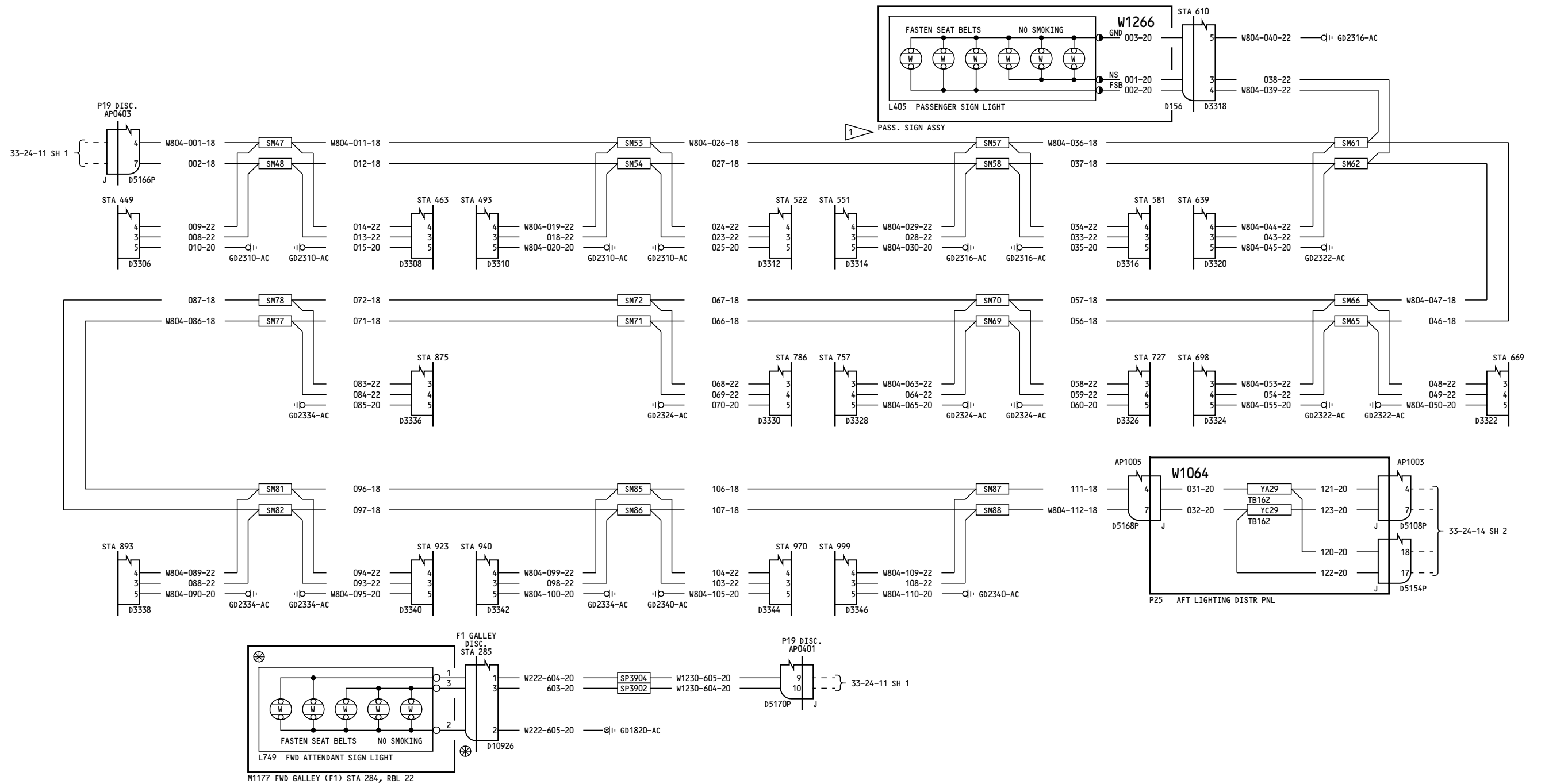
33-24-13

Page 6
Sheet 1
Jan 21/2005



NOTES:
 1 TYPICAL PASSENGER SIGN INSTALLED EVERY OTHER SEAT ROW.
 ALL AVAILABLE SIGN CONNECTORS ARE SHOWN.
 THOSE USED DEPENDENT ON SEATING ARRANGEMENT.





NOTES:
 1 TYPICAL PASSENGER SIGN INSTALLED EVERY OTHER SEAT ROW. ALL AVAILABLE SIGN CONNECTORS ARE SHOWN. THOSE USED DEPENDENT ON SEATING ARRANGEMENT.

050-099

**PASSENGER SIGNS-
RIGHT**

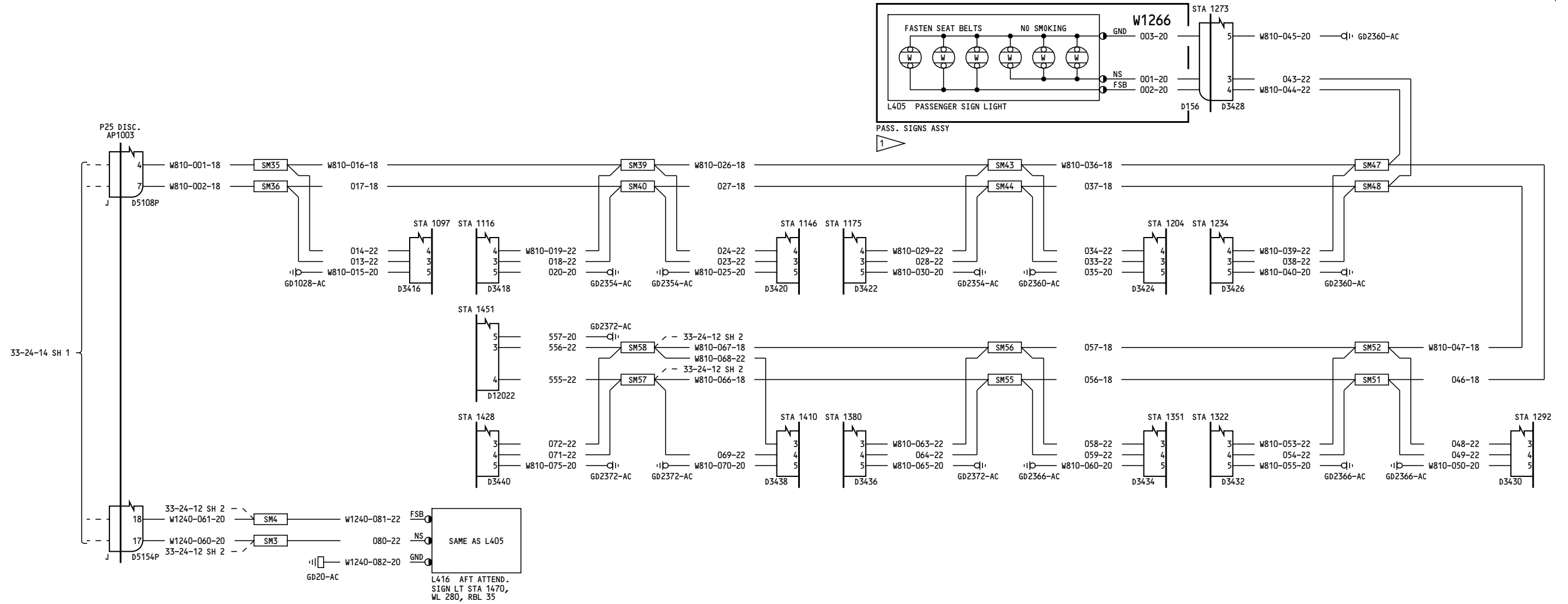
D280T132

33-24-14

Page 1
 Sheet 1
 Jan 21/2005

33-24-14

Page 1
 Sheet 1
 Jan 21/2005



NOTES:
 1 TYPICAL PASSENGER SIGN INSTALLED EVERY OTHER SEAT ROW. ALL AVAILABLE SIGN CONNECTORS ARE SHOWN. THOSE USED DEPENDENT ON SEATING ARRANGEMENT.

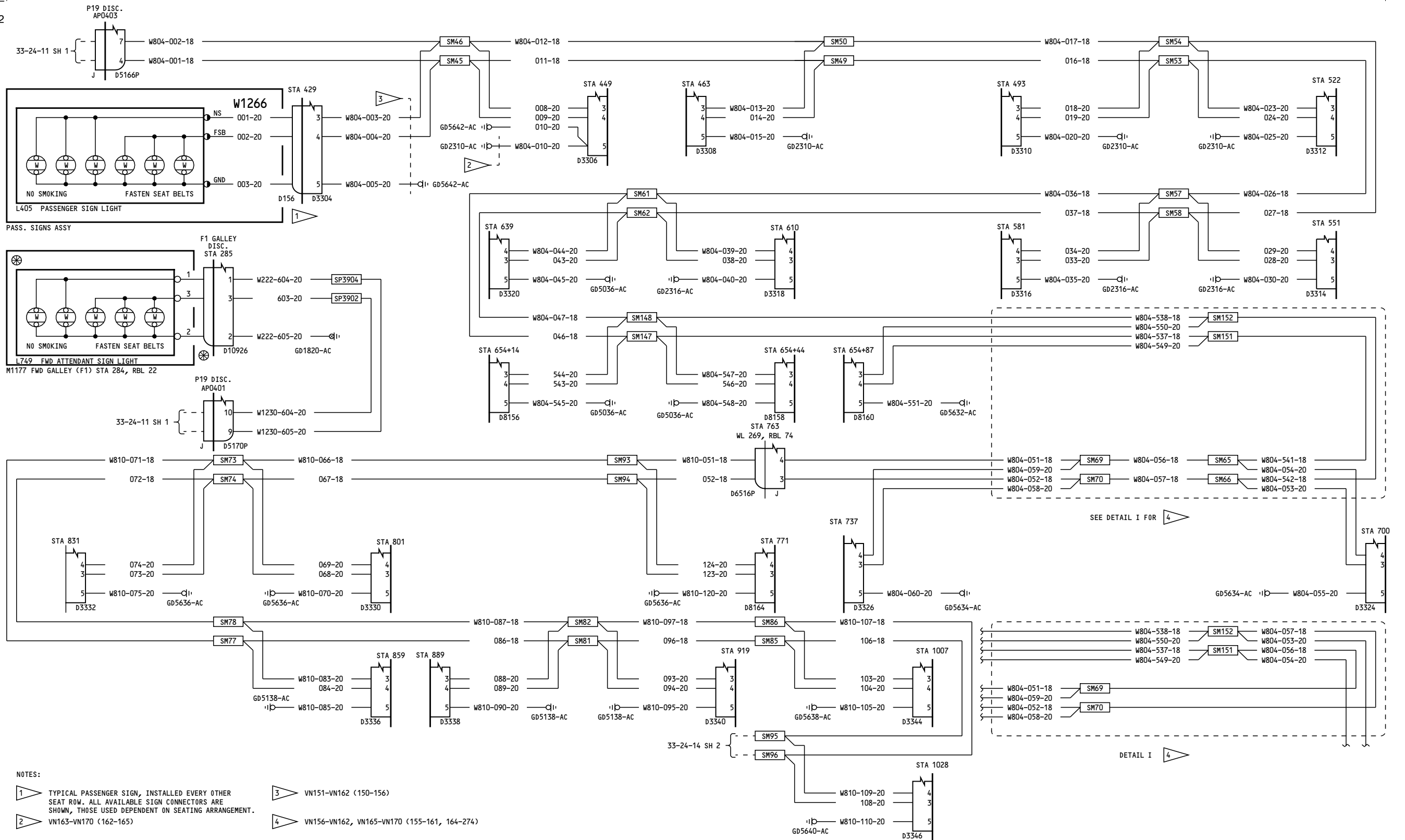
| | |
|---------|----------------------------------------------------------------------------------------|
| 050-099 | <p align="center">PASSENGER SIGNS- RIGHT</p> <p align="center">D280T132</p> |
|---------|----------------------------------------------------------------------------------------|

33-24-14

Page 1
 Sheet 2
 Jan 21/2005

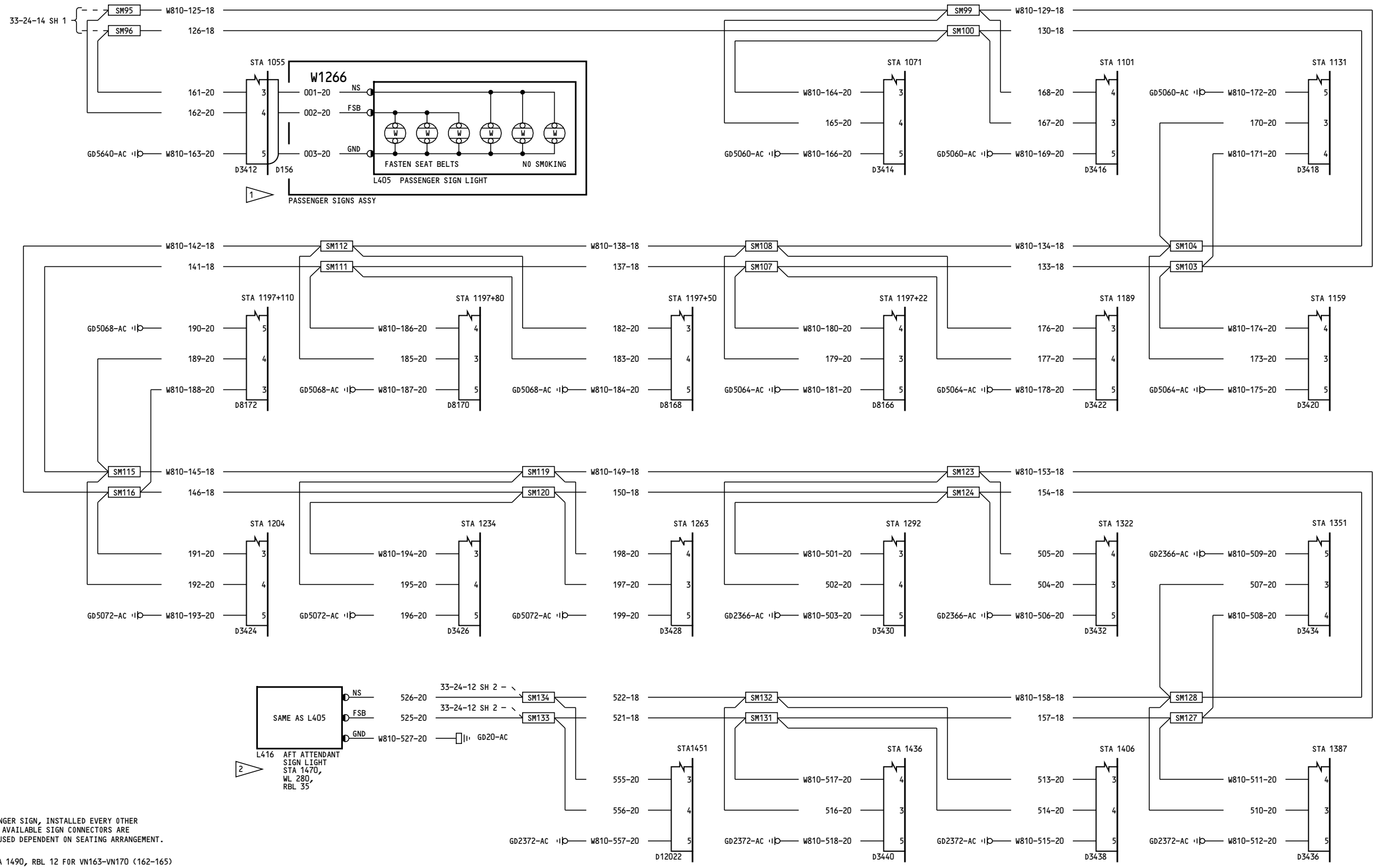
33-24-14

Page 1
 Sheet 2
 Jan 21/2005



- NOTES:
- 1 TYPICAL PASSENGER SIGN, INSTALLED EVERY OTHER SEAT ROW. ALL AVAILABLE SIGN CONNECTORS ARE SHOWN, THOSE USED DEPENDENT ON SEATING ARRANGEMENT.
 - 2 VN163-VN170 (162-165)
 - 3 VN151-VN162 (150-156)
 - 4 VN156-VN162, VN165-VN170 (155-161, 164-274)

BOEING PROPRIETARY - Copyright © - Unpublished Work - See title page for details.



- NOTES:
- 1 TYPICAL PASSENGER SIGN, INSTALLED EVERY OTHER SEAT ROW. ALL AVAILABLE SIGN CONNECTORS ARE SHOWN, THOSE USED DEPENDENT ON SEATING ARRANGEMENT.
 - 2 L416 IS AT STA 1490, RBL 12 FOR VN163-VN170 (162-165)

| | |
|---------|---------------------------------------------------|
| 150-199 | PASSENGER SIGNS- RIGHT D280T132 |
|---------|---------------------------------------------------|

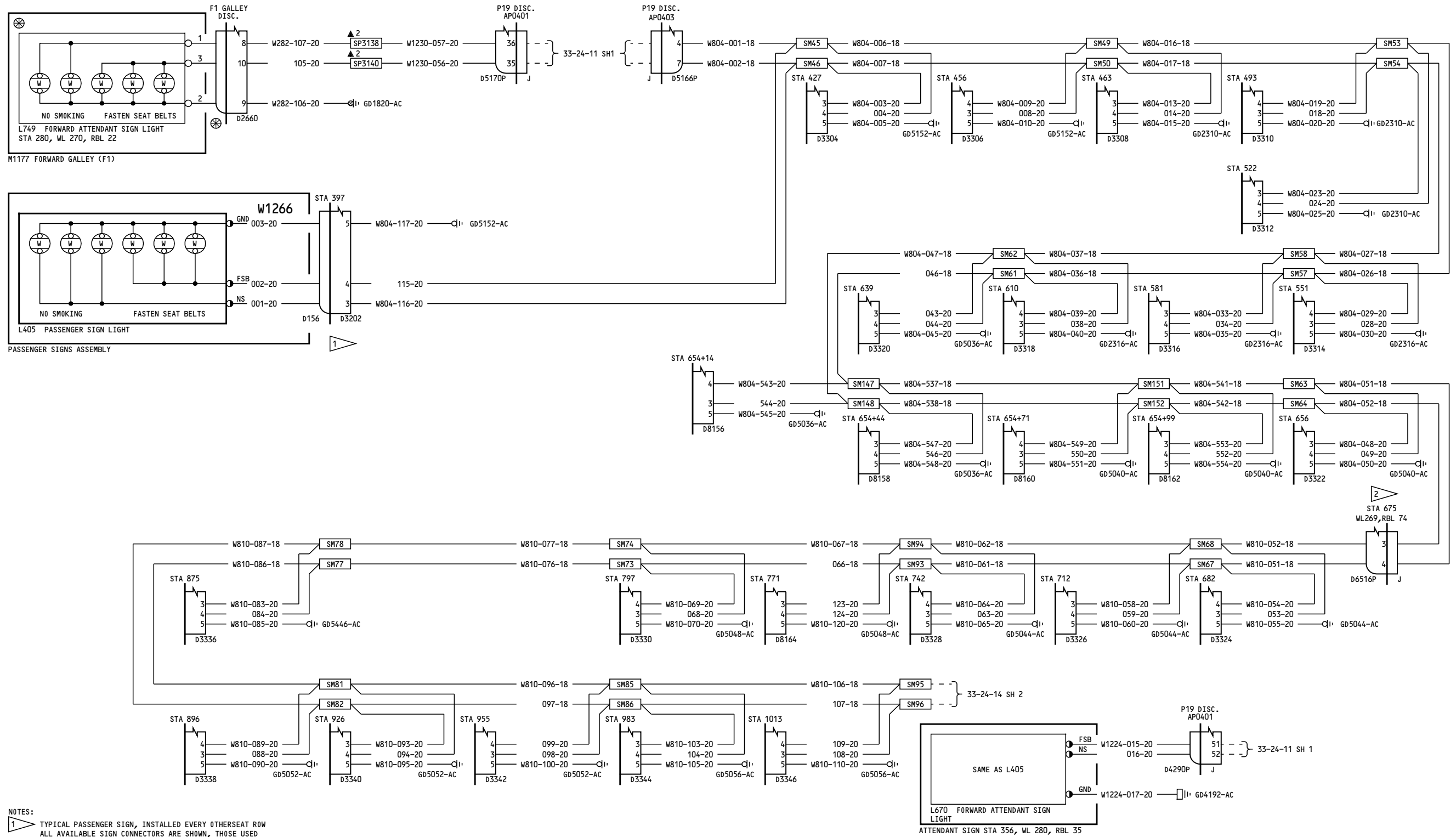
33-24-14

 Page 2
 Sheet 2
 Jan 21/2005

33-24-14

 Page 2
 Sheet 2
 Jan 21/2005

97



NOTES:
 1 TYPICAL PASSENGER SIGN, INSTALLED EVERY OTHER SEAT ROW. ALL AVAILABLE SIGN CONNECTORS ARE SHOWN, THOSE USED DEPENDENT ON SEATING ARRANGEMENT.

2 STA 687 FOR DELIVERED CONFIGURATION AND STA 675 FOR ALTERNATE CONFIGURATION

275-276

PASSENGER SIGNS-
 RIGHT

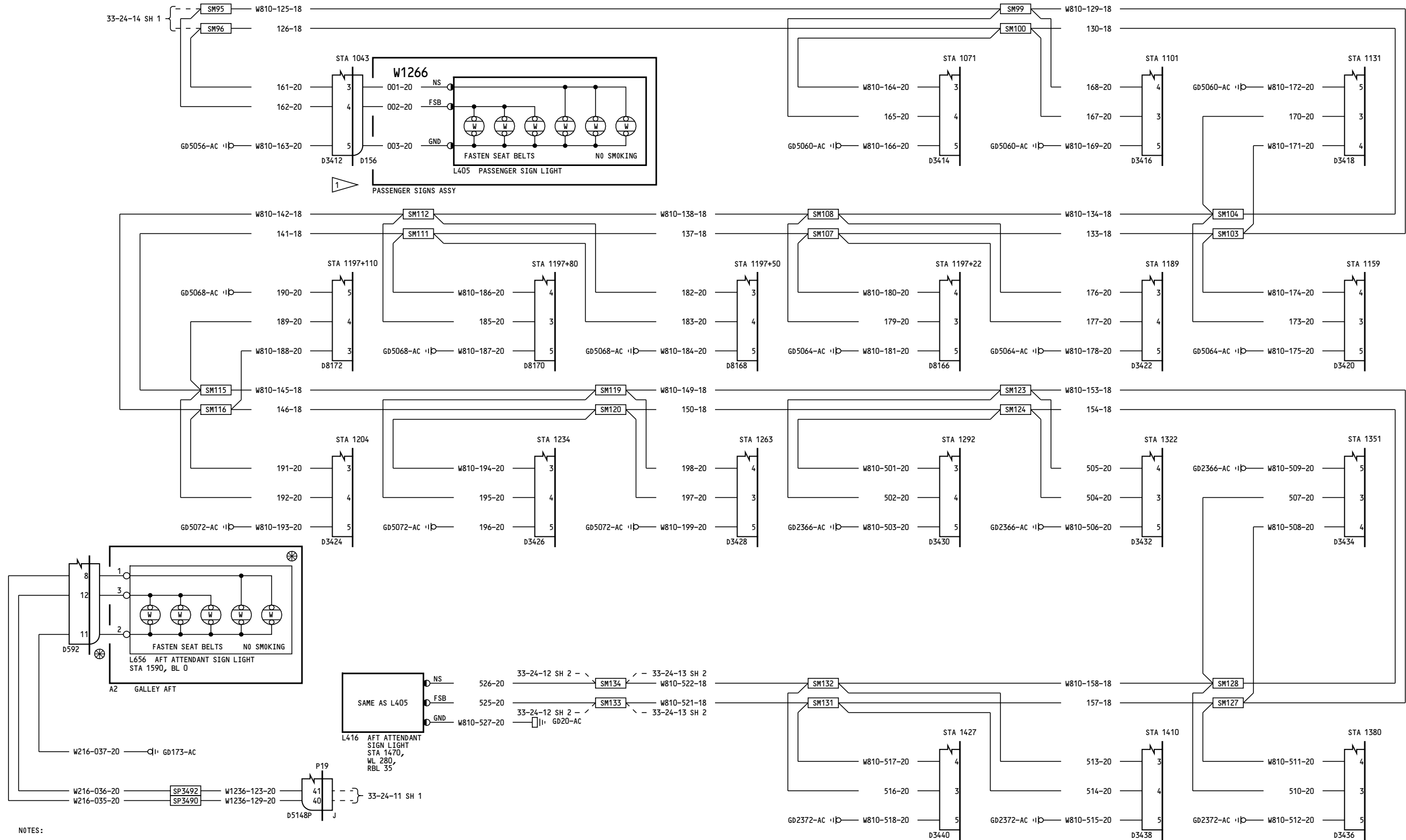
33-24-14

Page 3
 Sheet 1
 Jan 21/2005

D280T132

33-24-14

Page 3
 Sheet 1
 Jan 21/2005



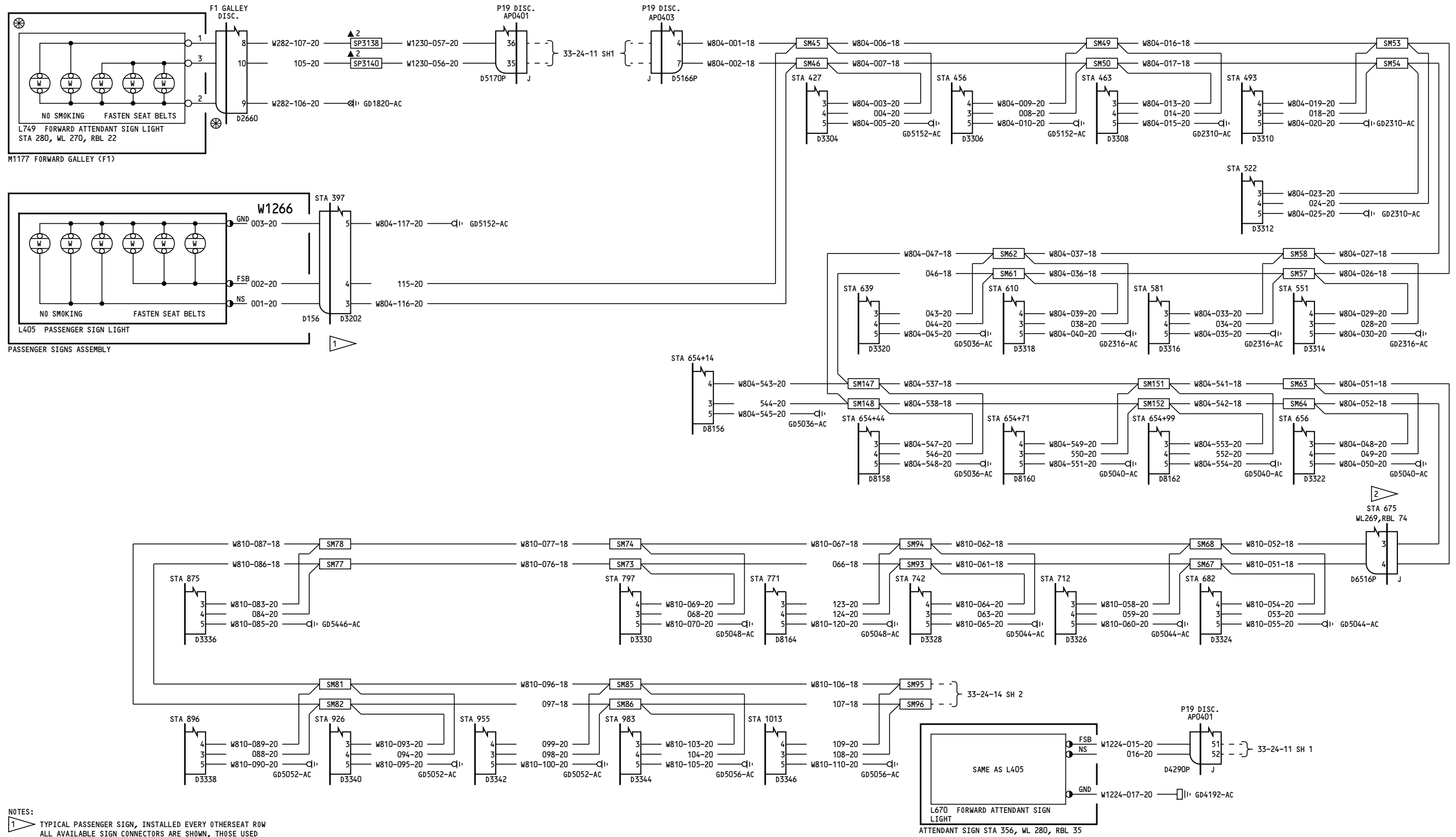
NOTES:
 1 TYPICAL PASSENGER SIGN, INSTALLED EVERY OTHER SEAT ROW. ALL AVAILABLE SIGN CONNECTORS ARE SHOWN, THOSE USED DEPENDENT ON SEATING ARRANGEMENT.

| | |
|---------|----------------------------------------------------------------------------------------------------------------------------------------------------------------------------------|
| 275-276 | <p align="center">PASSENGER SIGNS-RIGHT</p> <p align="center">33-24-14</p> <p align="center">Page 3 Sheet 2 Jan 21/2005</p> <p align="center">D280T132</p> |
|---------|----------------------------------------------------------------------------------------------------------------------------------------------------------------------------------|

33-24-14

Page 3
Sheet 2
Jan 21/2005

97



NOTES:

1 TYPICAL PASSENGER SIGN, INSTALLED EVERY OTHER SEAT ROW
ALL AVAILABLE SIGN CONNECTORS ARE SHOWN, THOSE USED
DEPENDENT ON SEATING ARRANGEMENT.

2 STA 687 FOR DELIVERED CONFIGURATION
AND STA 675 FOR ALTERNATE CONFIGURATION

277-278

**PASSENGER SIGNS-
RIGHT**

D280T132

33-24-14

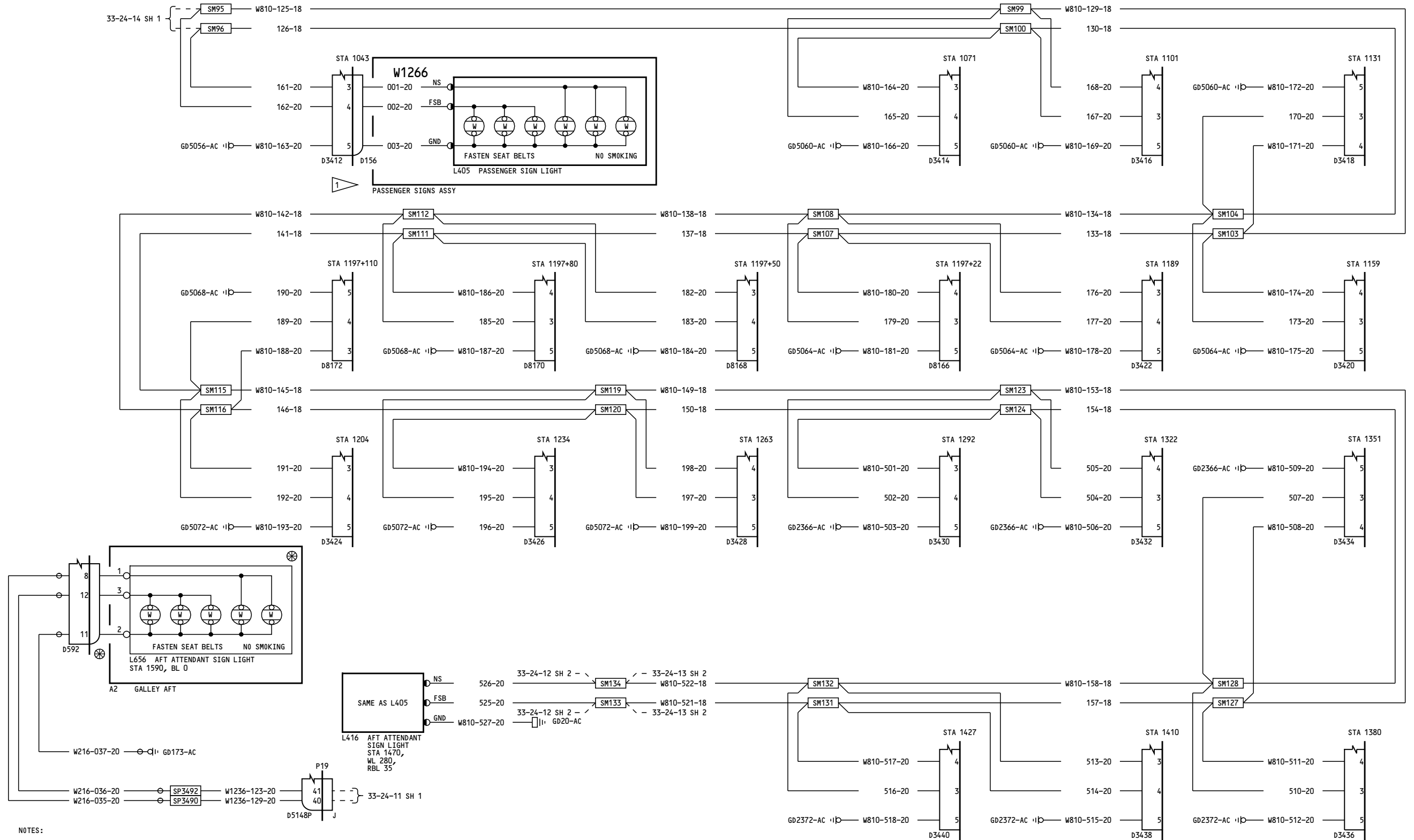
Page 4
Sheet 1
Jan 21/2005

33-24-14

Page 4
Sheet 1
Jan 21/2005



767-200/300 WIRING DIAGRAM MANUAL



NOTES:
 1 TYPICAL PASSENGER SIGN, INSTALLED EVERY OTHER SEAT ROW. ALL AVAILABLE SIGN CONNECTORS ARE SHOWN, THOSE USED DEPENDENT ON SEATING ARRANGEMENT.

277-278

PASSENGER SIGNS-RIGHT

33-24-14

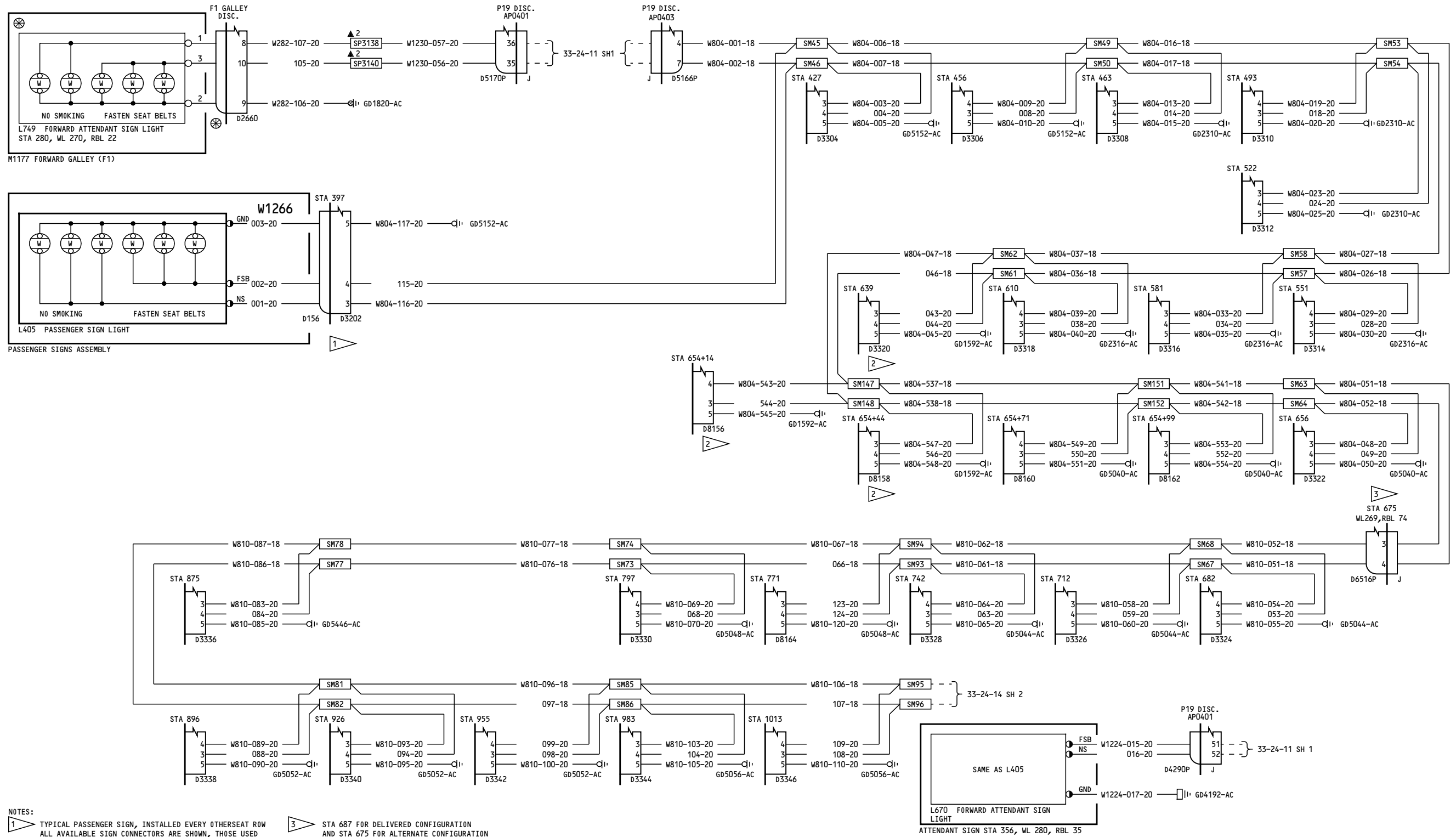
Page 4
Sheet 2
Jan 21/2005

D280T132

33-24-14

Page 4
Sheet 2
Jan 21/2005

-A
49



NOTES:
 1 TYPICAL PASSENGER SIGN, INSTALLED EVERY OTHER SEAT ROW. ALL AVAILABLE SIGN CONNECTORS ARE SHOWN, THOSE USED DEPENDENT ON SEATING ARRANGEMENT.
 2 CAP AND STOW
 3 STA 687 FOR DELIVERED CONFIGURATION AND STA 675 FOR ALTERNATE CONFIGURATION

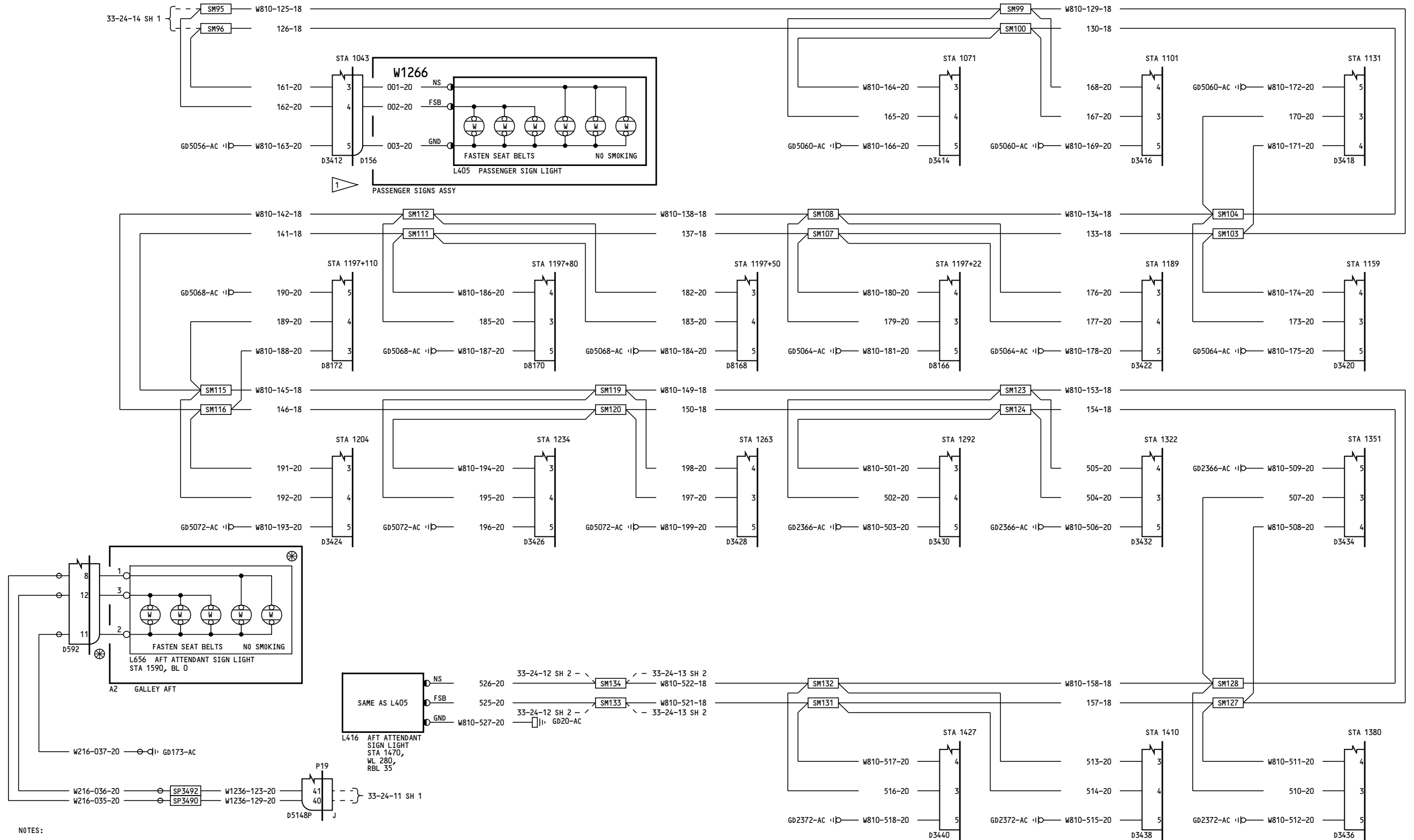
| | |
|---------|-----------------------------------|
| 280-299 | PASSENGER SIGNS- RIGHT |
| | D280T132 |

33-24-14
 Page 5
 Sheet 1
 Jan 21/2005

33-24-14
 Page 5
 Sheet 1
 Jan 21/2005



767-200/300 WIRING DIAGRAM MANUAL

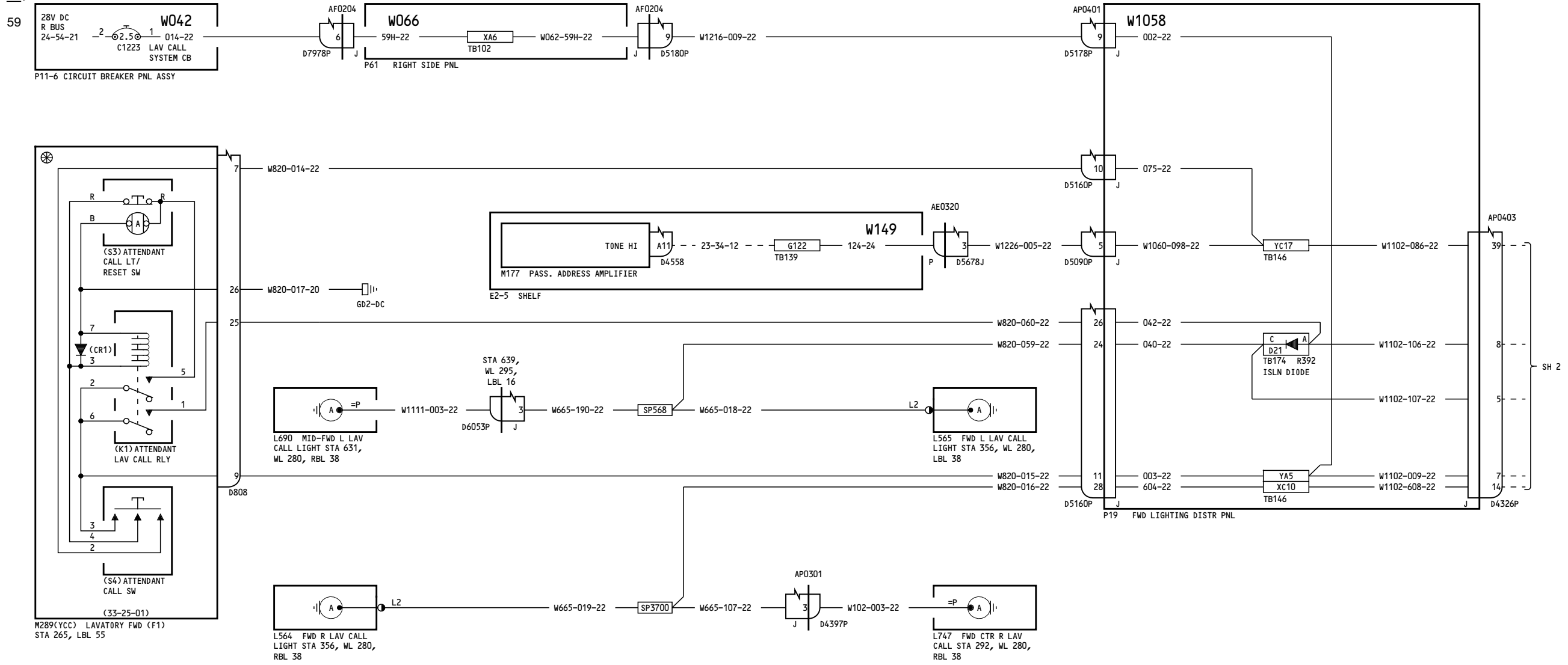


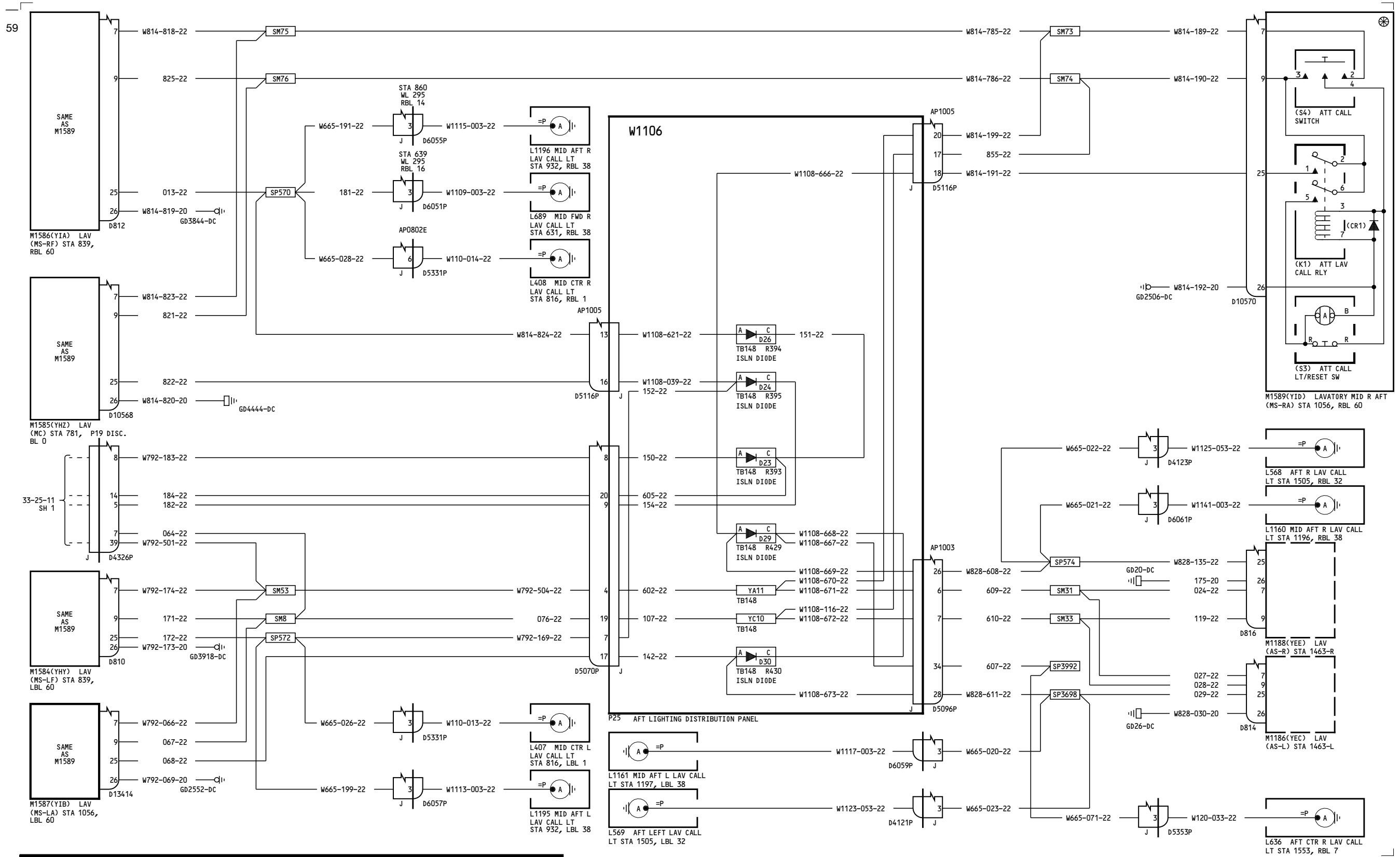
NOTES:
 1 TYPICAL PASSENGER SIGN, INSTALLED EVERY OTHER SEAT ROW. ALL AVAILABLE SIGN CONNECTORS ARE SHOWN, THOSE USED DEPENDENT ON SEATING ARRANGEMENT.

| | | |
|---------|---------------------------------------------------|---------------------------------------------------------|
| 280-299 | PASSENGER SIGNS- RIGHT D280T132 | 33-24-14 Page 5 Sheet 2 Jan 21/2005 |
|---------|---------------------------------------------------|---------------------------------------------------------|

33-24-14

 Page 5
 Sheet 2
 Jan 21/2005



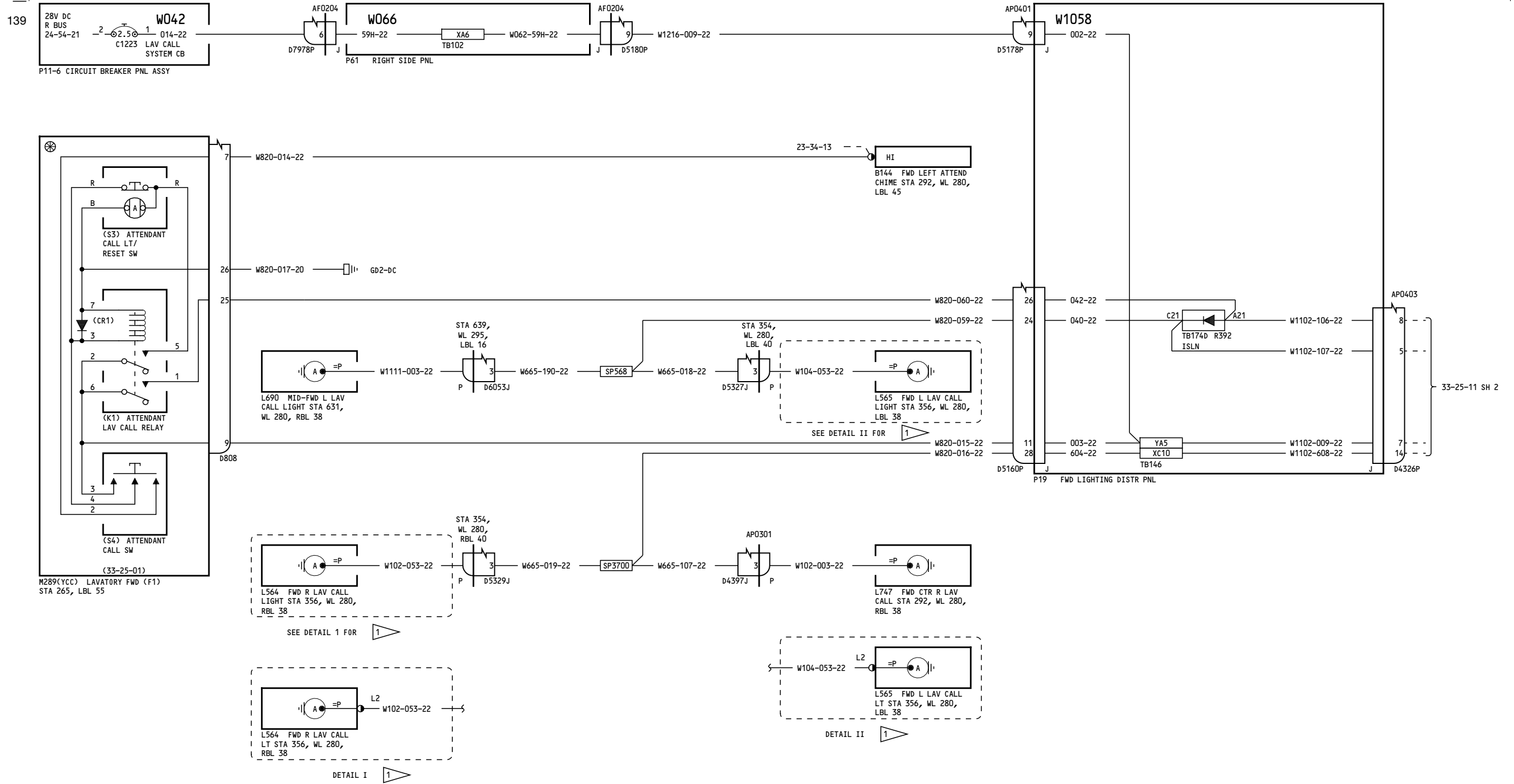


050-099

LAVATORY CALL SYSTEM

D280T132

BOEING PROPRIETARY - Copyright © - Unpublished Work - See title page for details.



1 VN157-VN157

150, 153-154, 156

LAVATORY CALL SYSTEM

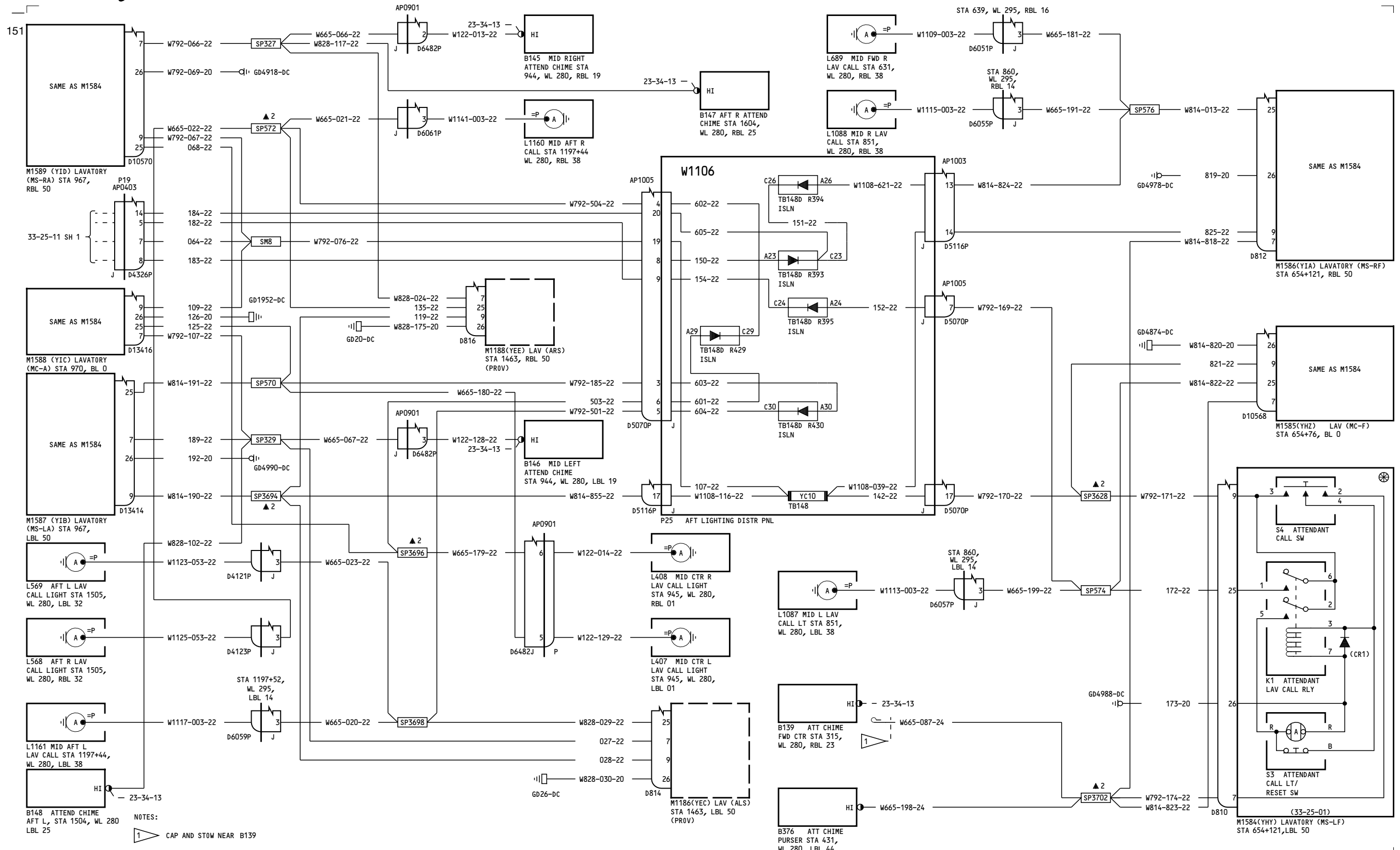
33-25-11

Page 2A
Sheet 1
Jan 21/2005

D280T132

33-25-11

Page 2A
Sheet 1
Jan 21/2005



NOTES:
 1 CAP AND STOW NEAR B139

150, 153-154, 156

LAVATORY CALL SYSTEM

33-25-11

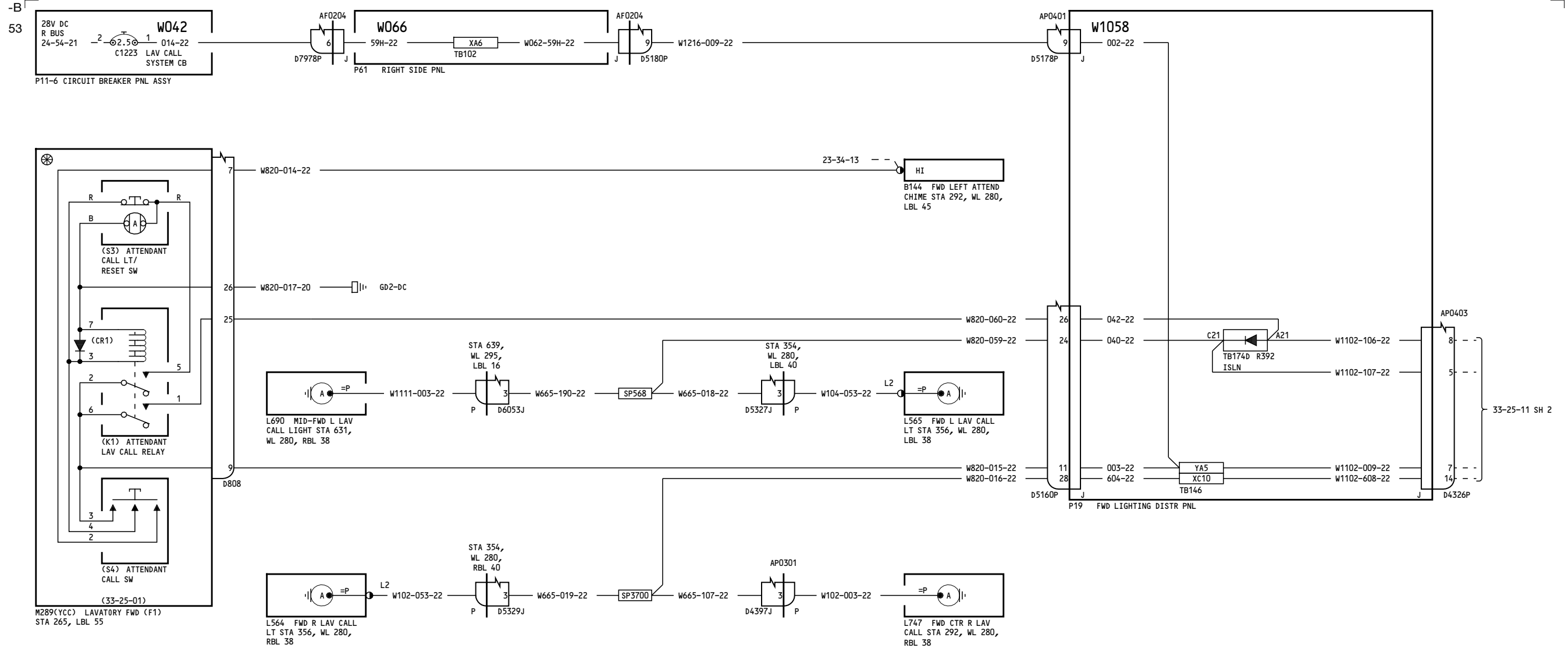
Page 2A
 Sheet 2
 Jan 21/2005

D280T132

Incorporates
 MTO 230507

33-25-11

Page 2A
 Sheet 2
 Jan 21/2005



151-152

LAVATORY CALL SYSTEM

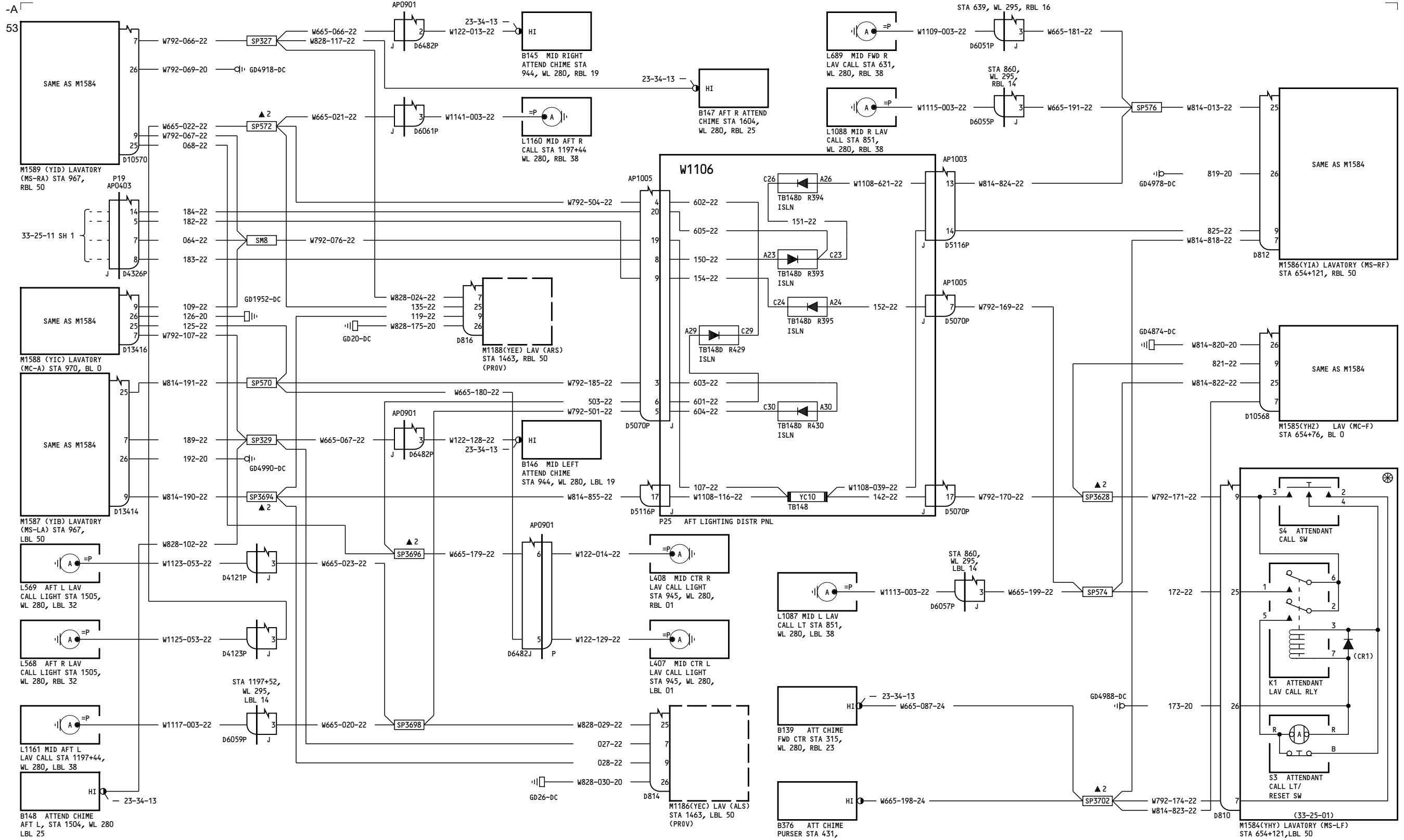
33-25-11

Page 3
Sheet 1
Jan 21/2005

D280T132

33-25-11

Page 3
Sheet 1
Jan 21/2005



151-152

LAVATORY CALL SYSTEM

33-25-11

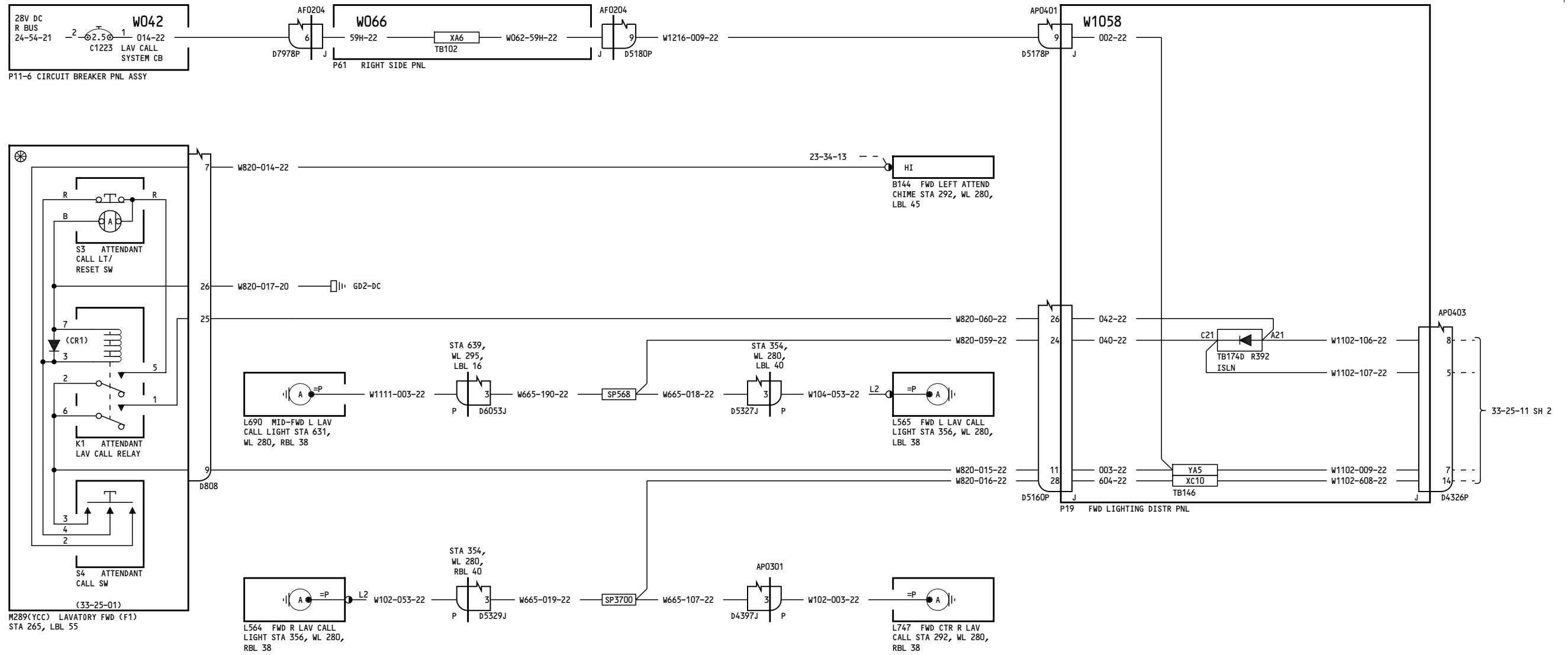
Page 3
Sheet 2
Jan 21/2005

D280T132

33-25-11

Page 3
Sheet 2
Jan 21/2005

148



155, 157

LAVATORY CALL SYSTEM

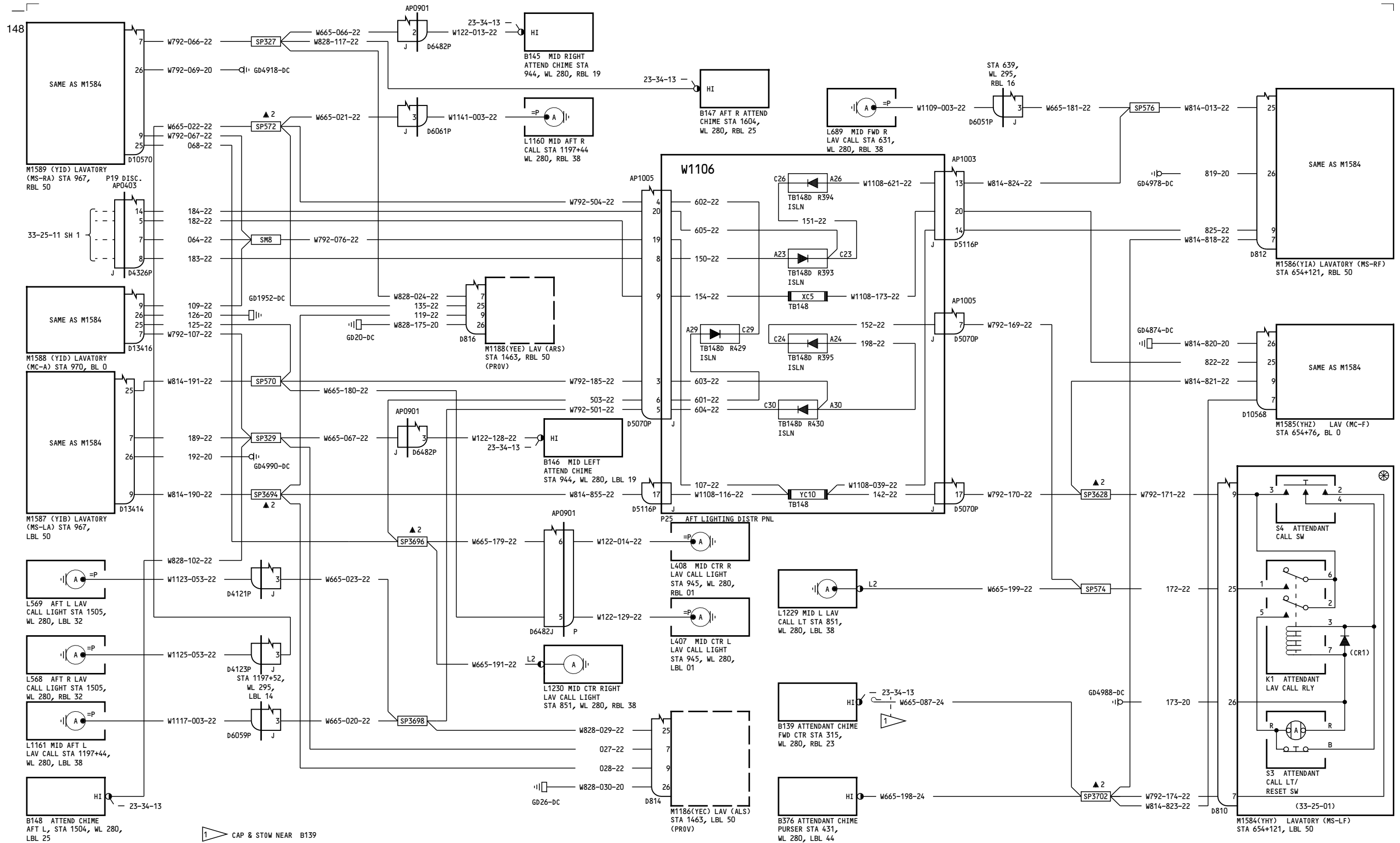
33-25-11

Page 4A
Sheet 1
Jan 21/2005

D280T132

33-25-11

Page 4A
Sheet 1
Jan 21/2005



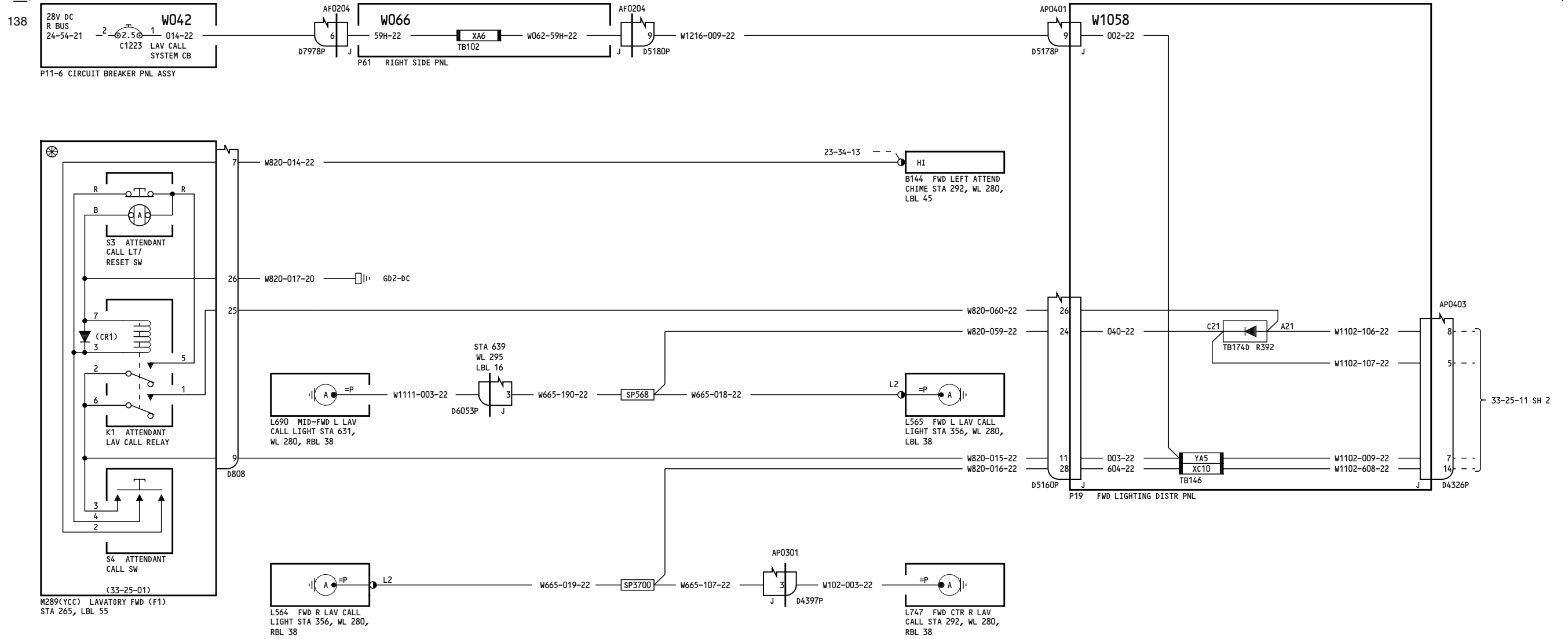
155, 157

LAVATORY CALL SYSTEM

33-25-11

Incorporates MTO 230507

33-25-11



162-167

LAVATORY CALL SYSTEM

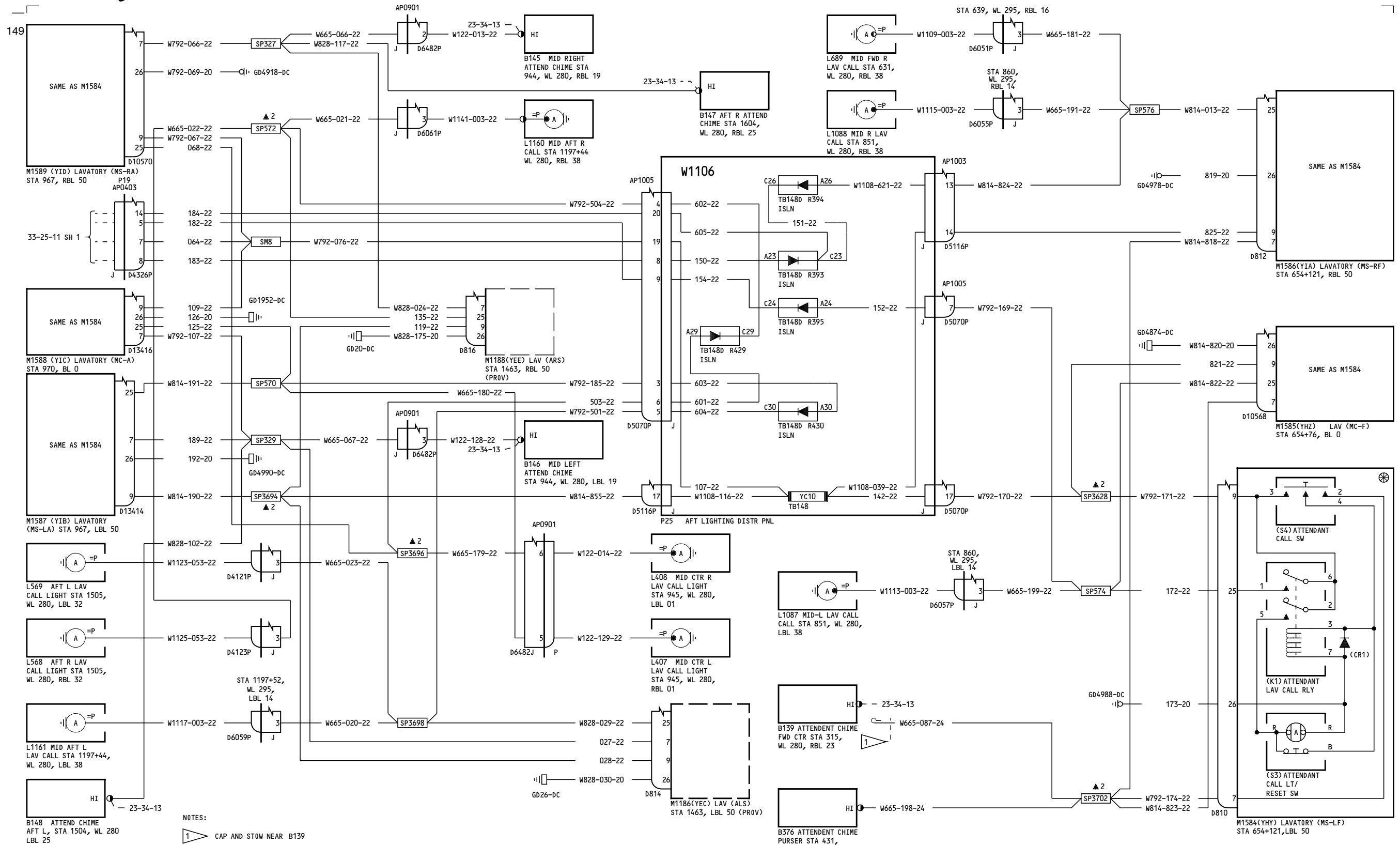
33-25-11

Page 5A
Sheet 1
Jan 21/2005

D280T132

33-25-11

Page 5A
Sheet 1
Jan 21/2005



NOTES:
 1 CAP AND STOW NEAR B139

162-167

LAVATORY CALL SYSTEM

33-25-11

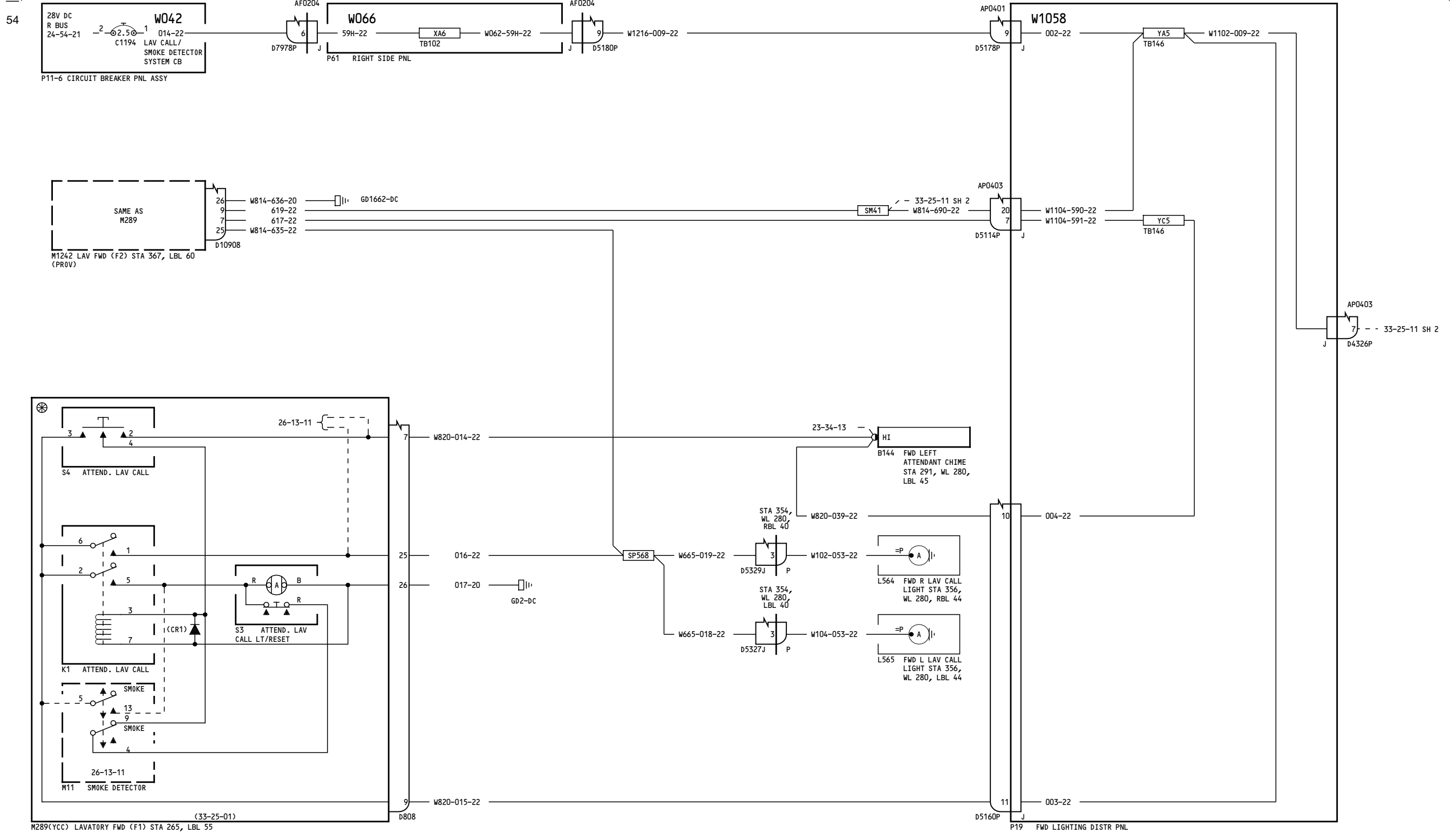
Page 5A
Sheet 2
Jan 21/2005

D280T132

Incorporates
MTO 230507

33-25-11

Page 5A
Sheet 2
Jan 21/2005



275-276

LAVATORY CALL SYSTEM

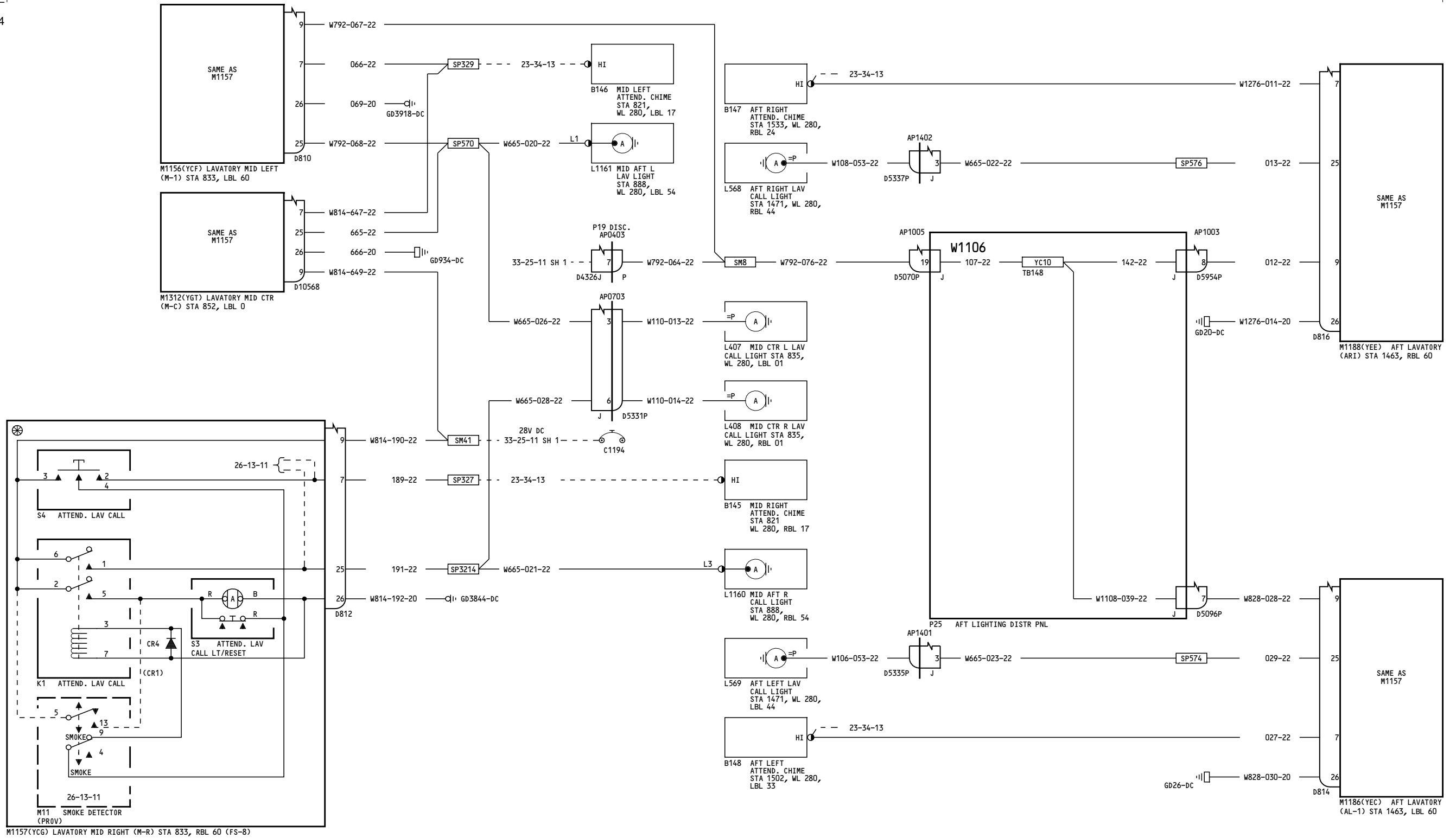
33-25-11

Page 6
Sheet 1
Jan 21/2005

D280T132

33-25-11

Page 6
Sheet 1
Jan 21/2005



275-276

LAVATORY CALL SYSTEM

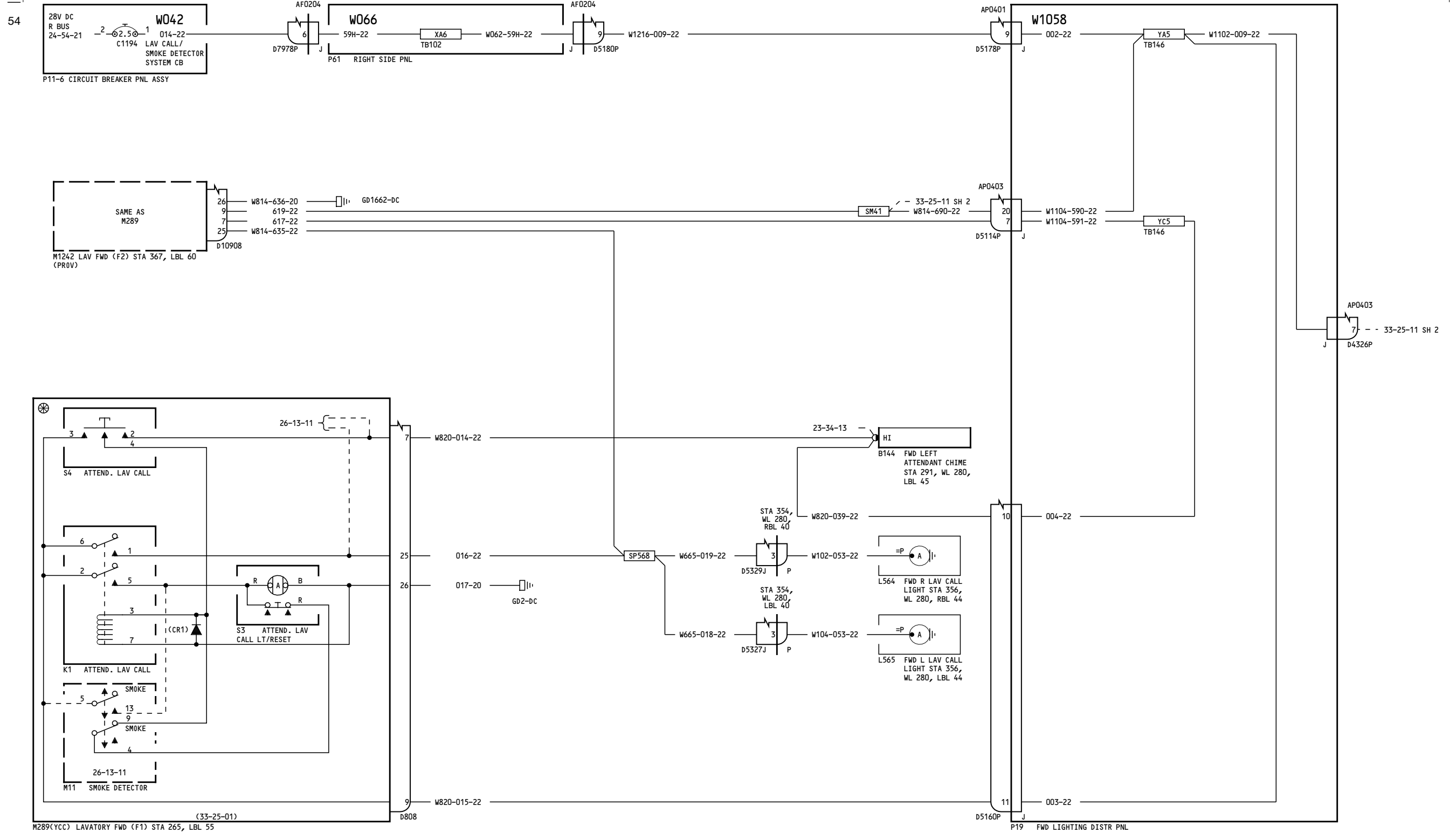
33-25-11

Page 6
Sheet 2
Jan 21/2005

D280T132

33-25-11

Page 6
Sheet 2
Jan 21/2005



275-276

LAVATORY CALL SYSTEM

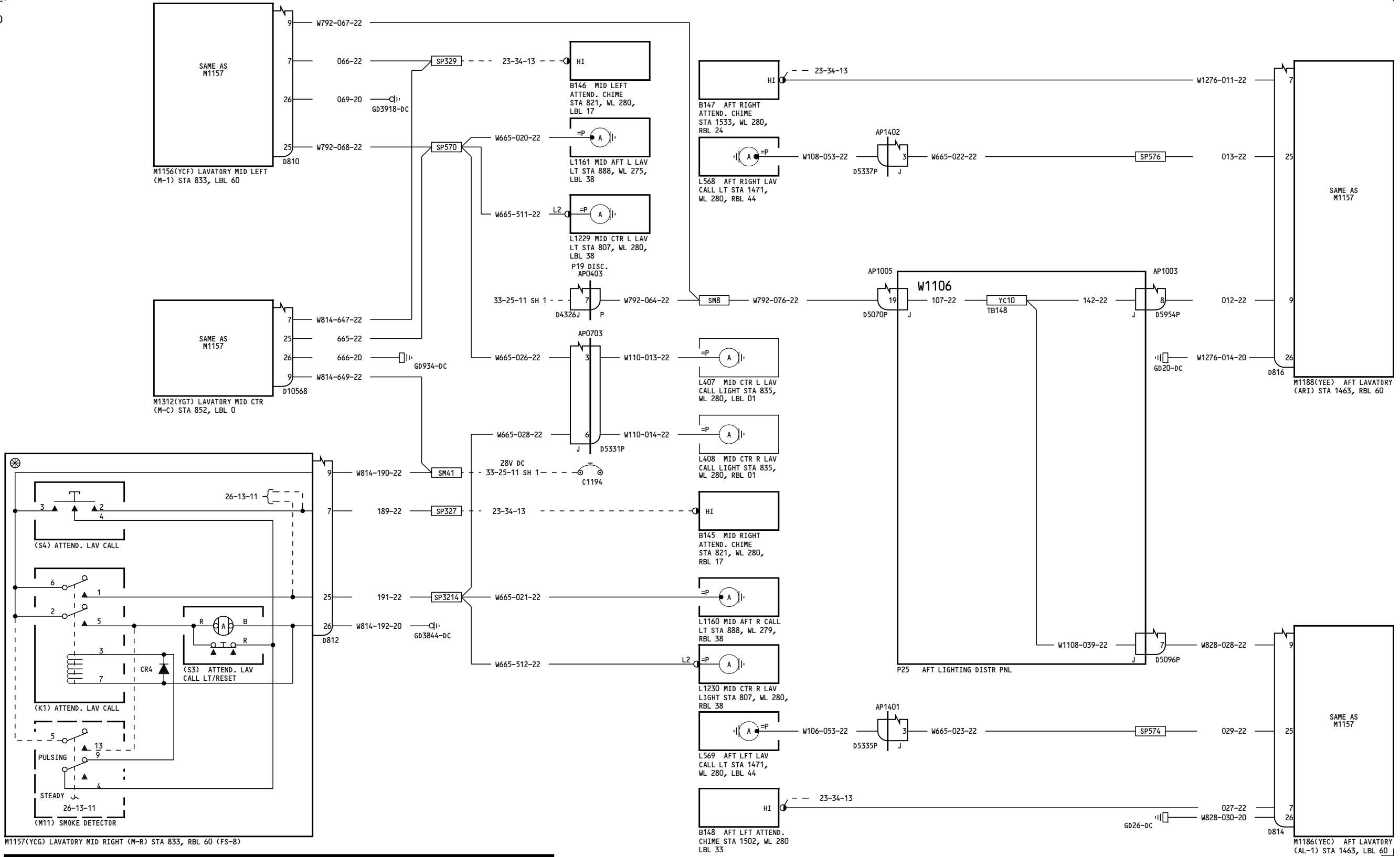
33-25-11

Page 6.1
Sheet 1
Jan 21/2005

D280T132

33-25-11

Page 6.1
Sheet 1
Jan 21/2005



M1157(YCG) LAVATORY MID RIGHT (M-R) STA 833, RBL 60 (FS-8)

275-276

LAVATORY CALL SYSTEM

33-25-11

Page 6.1
Sheet 2
Jan 21/2005

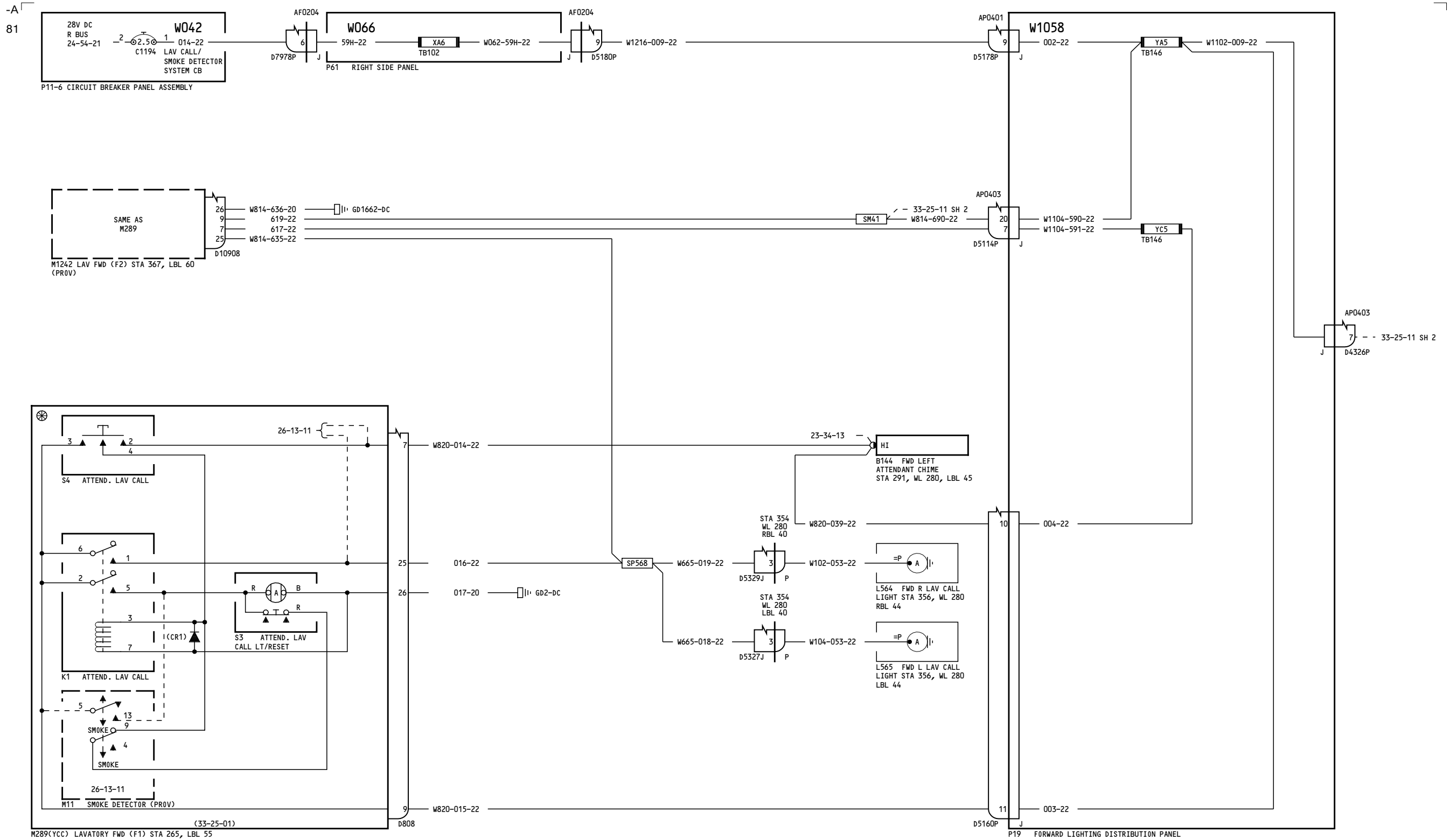
D280T132

Incorporates
33-0042

33-25-11

Page 6.1
Sheet 2
Jan 21/2005

M1186(YEC) AFT LAVATORY (AL-1) STA 1463, RBL 60



277-278

LAVATORY CALL SYSTEM

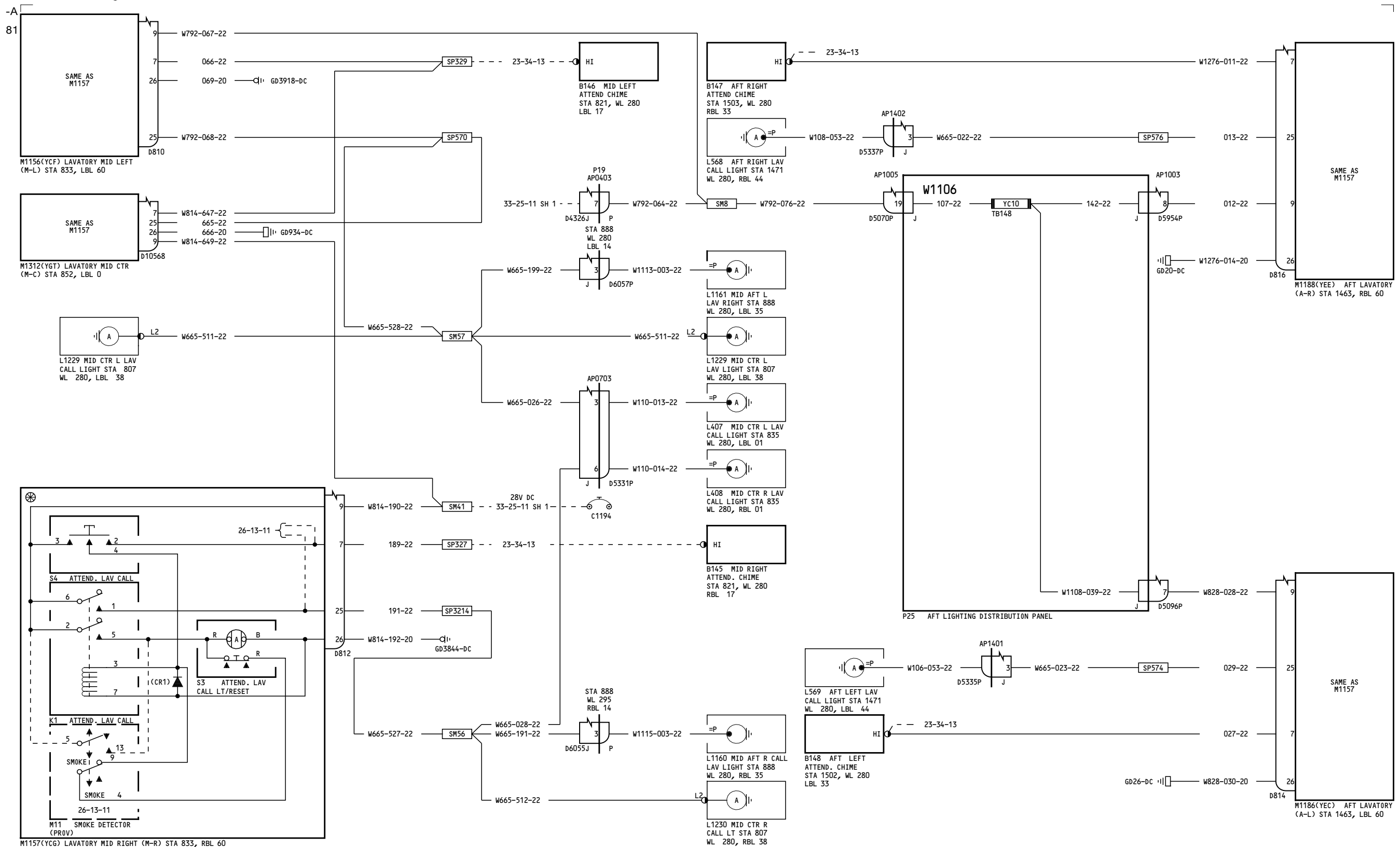
33-25-11

Page 7
Sheet 1
Jan 21/2005

D280T132

33-25-11

Page 7
Sheet 1
Jan 21/2005



277-278

LAVATORY CALL SYSTEM

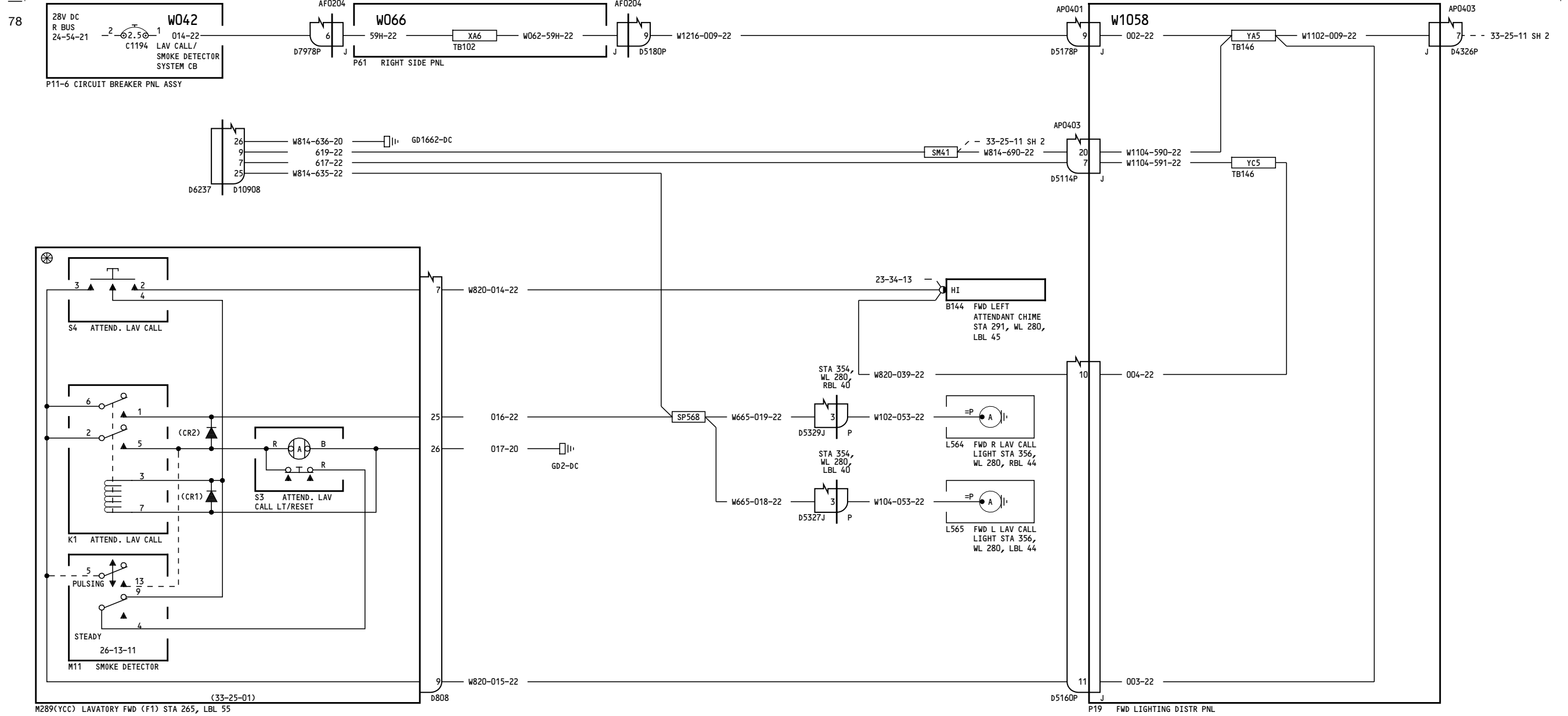
33-25-11

Page 7
Sheet 2
Jan 21/2005

D280T132

33-25-11

Page 7
Sheet 2
Jan 21/2005



280-299

LAVATORY CALL SYSTEM

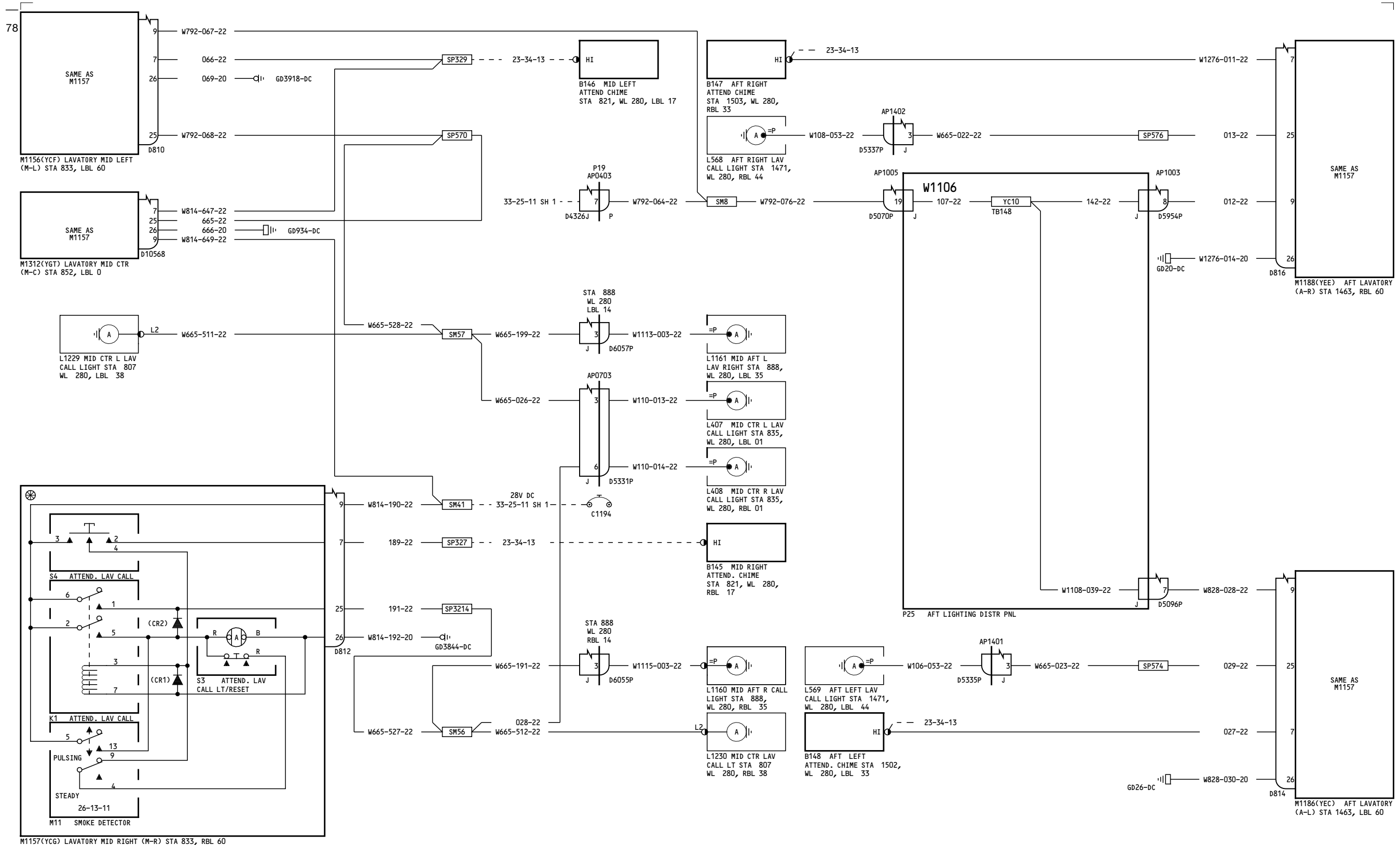
33-25-11

Page 8
Sheet 1
Jan 21/2005

D280T132

33-25-11

Page 8
Sheet 1
Jan 21/2005



280-299

LAVATORY CALL SYSTEM

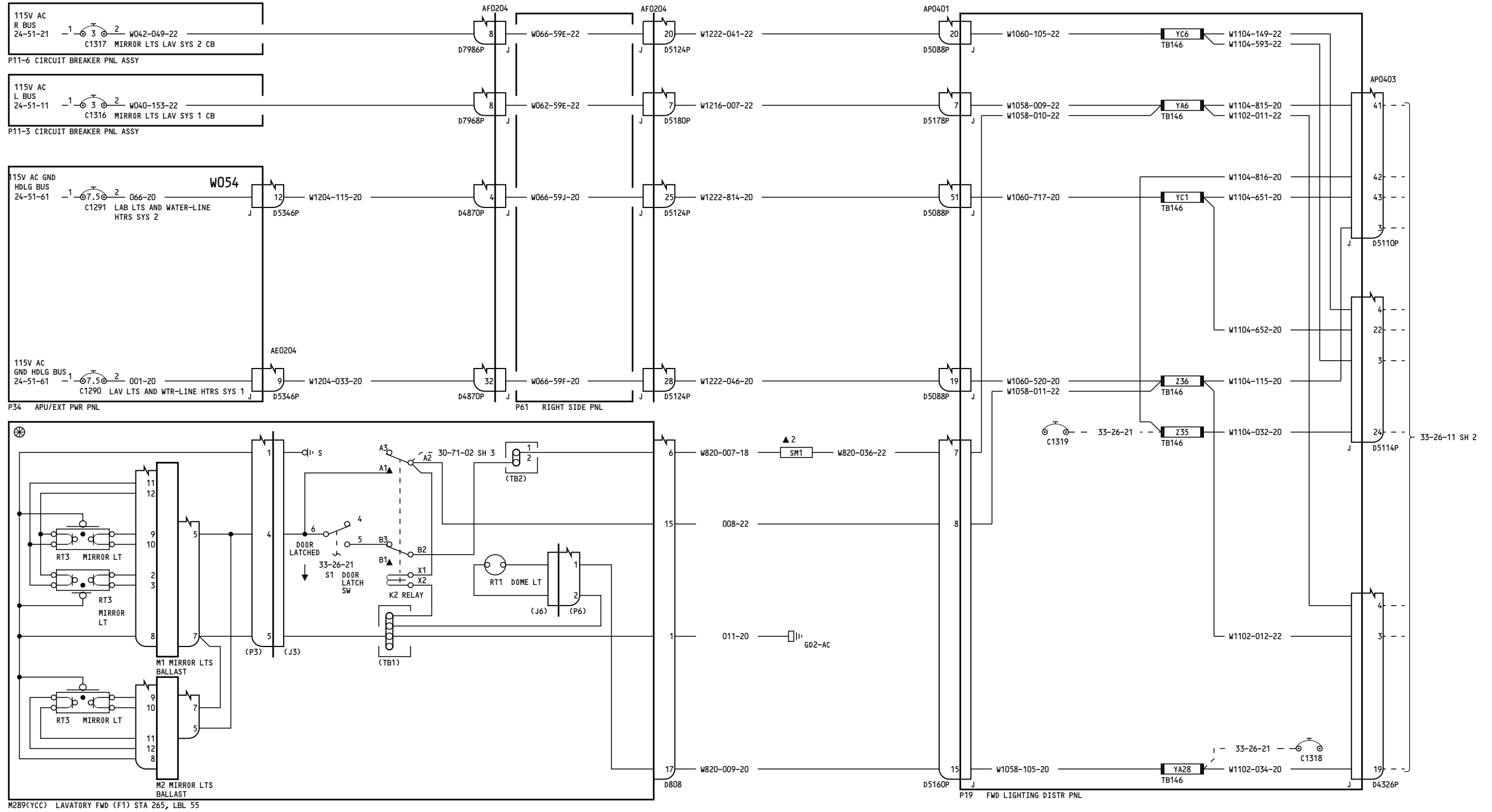
33-25-11

Page 8
Sheet 2
Jan 21/2005

D280T132

33-25-11

Page 8
Sheet 2
Jan 21/2005



050-099

LAVATORY LIGHTS

33-26-11

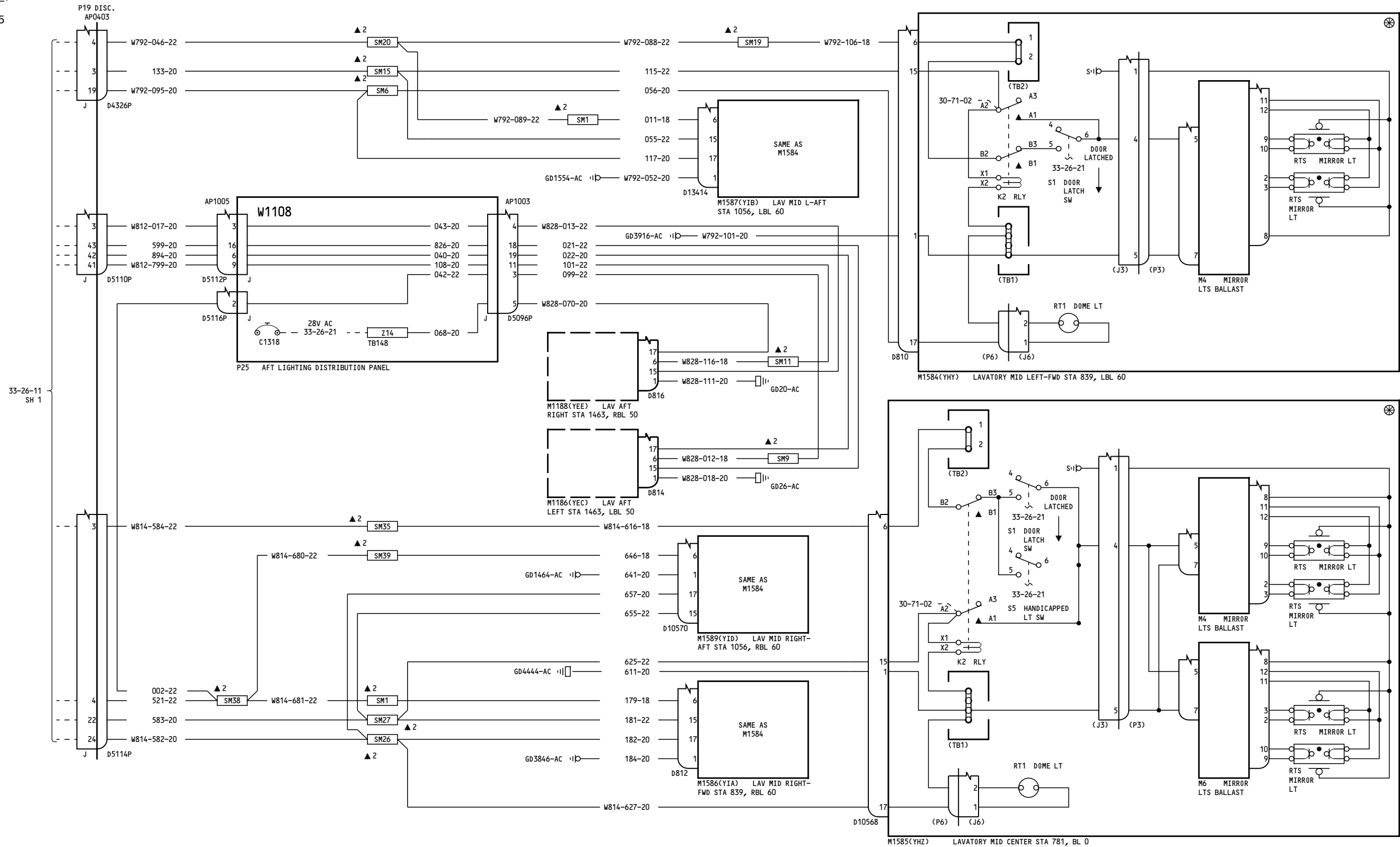
Page 1
Sheet 1
Jan 21/2005

D280T132

33-26-11

Page 1
Sheet 1
Jan 21/2005

55



050-099

LAVATORY LIGHTS

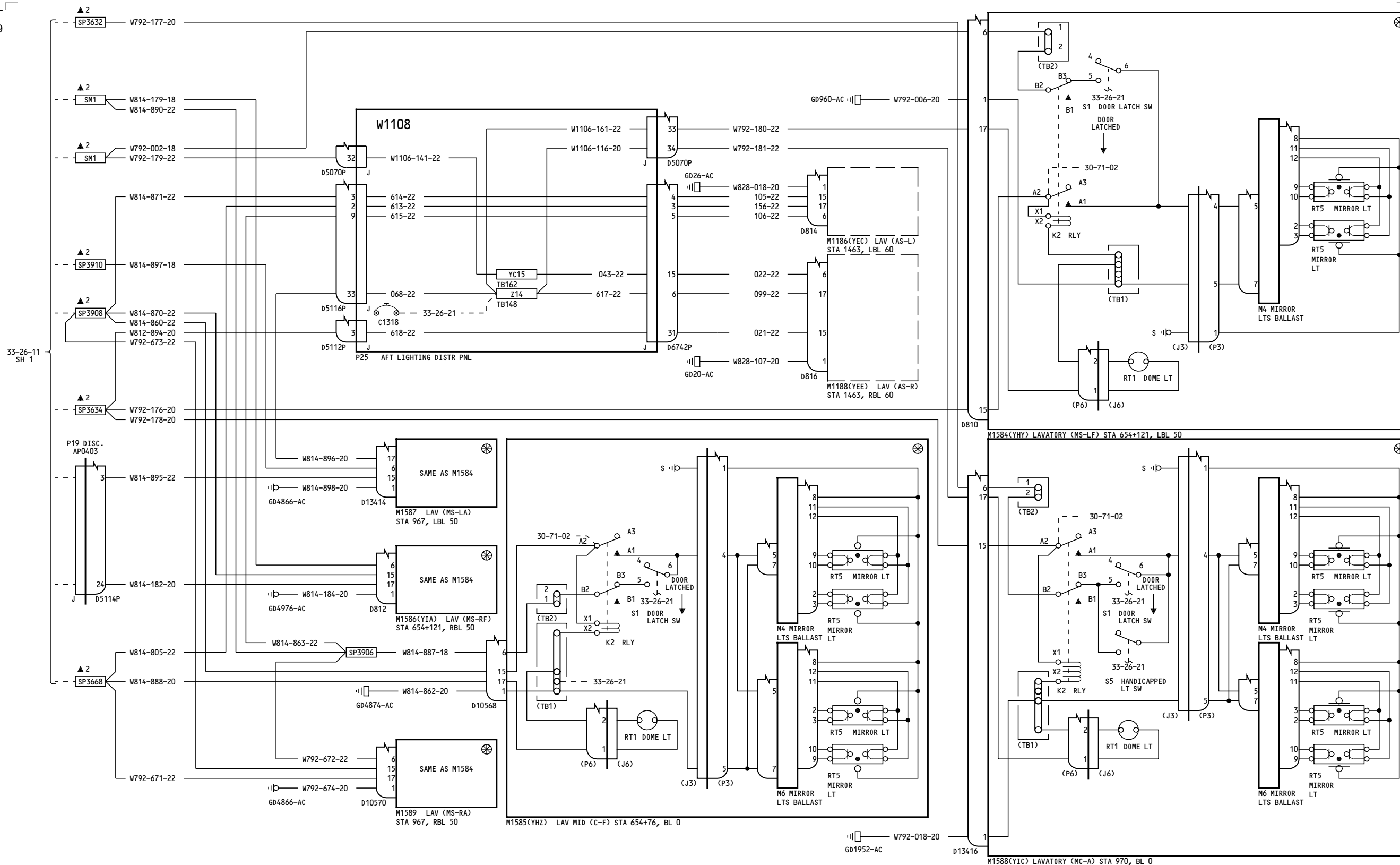
33-26-11

Page 1
Sheet 2
Jan 21/2005

D280T132

33-26-11

Page 1
Sheet 2
Jan 21/2005



150

LAVATORY LIGHTS

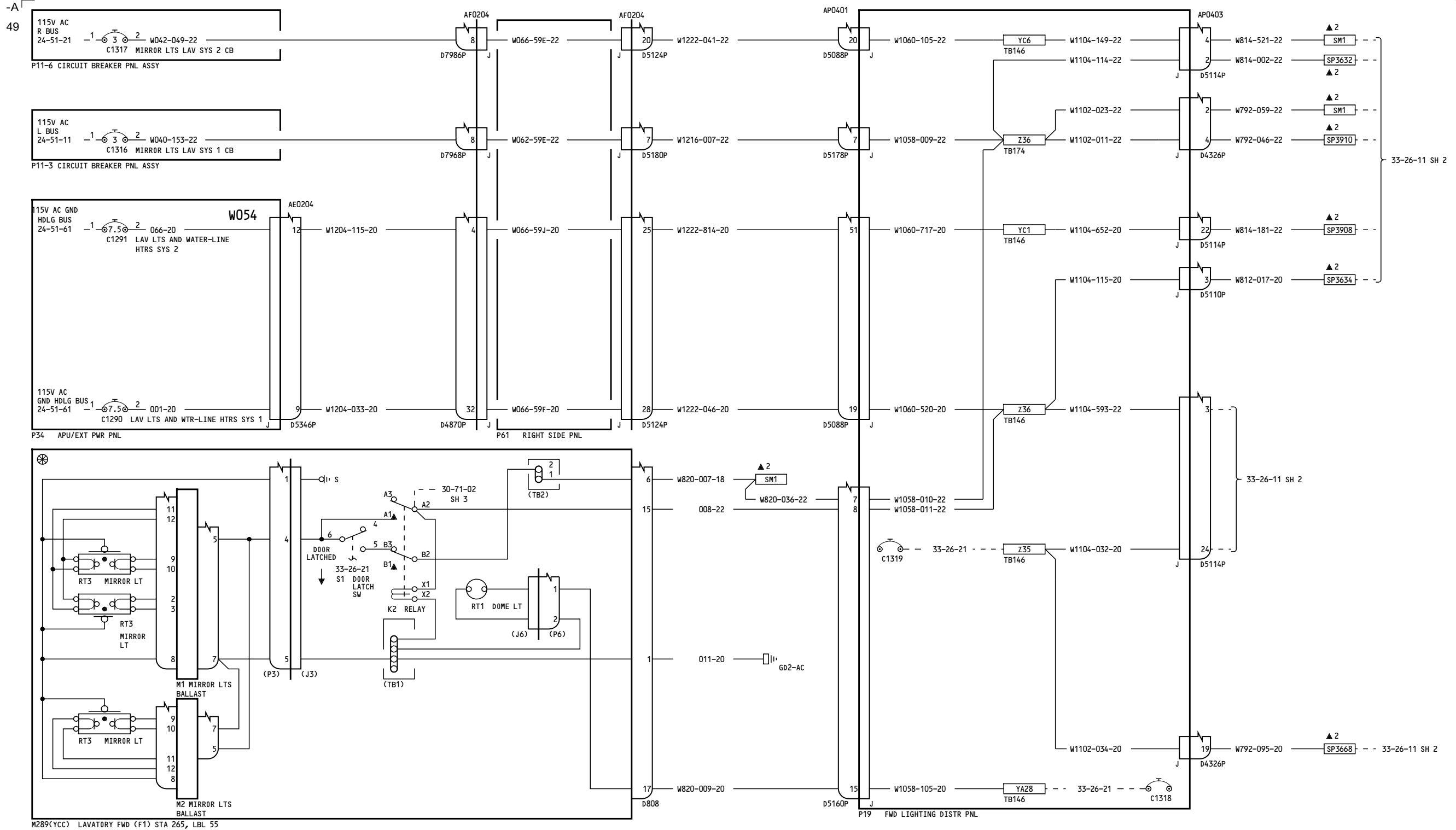
D280T132

33-26-11

Page 2.1
Sheet 2
Jan 21/2005

33-26-11

Page 2.1
Sheet 2
Jan 21/2005



151-199

LAVATORY LIGHTS

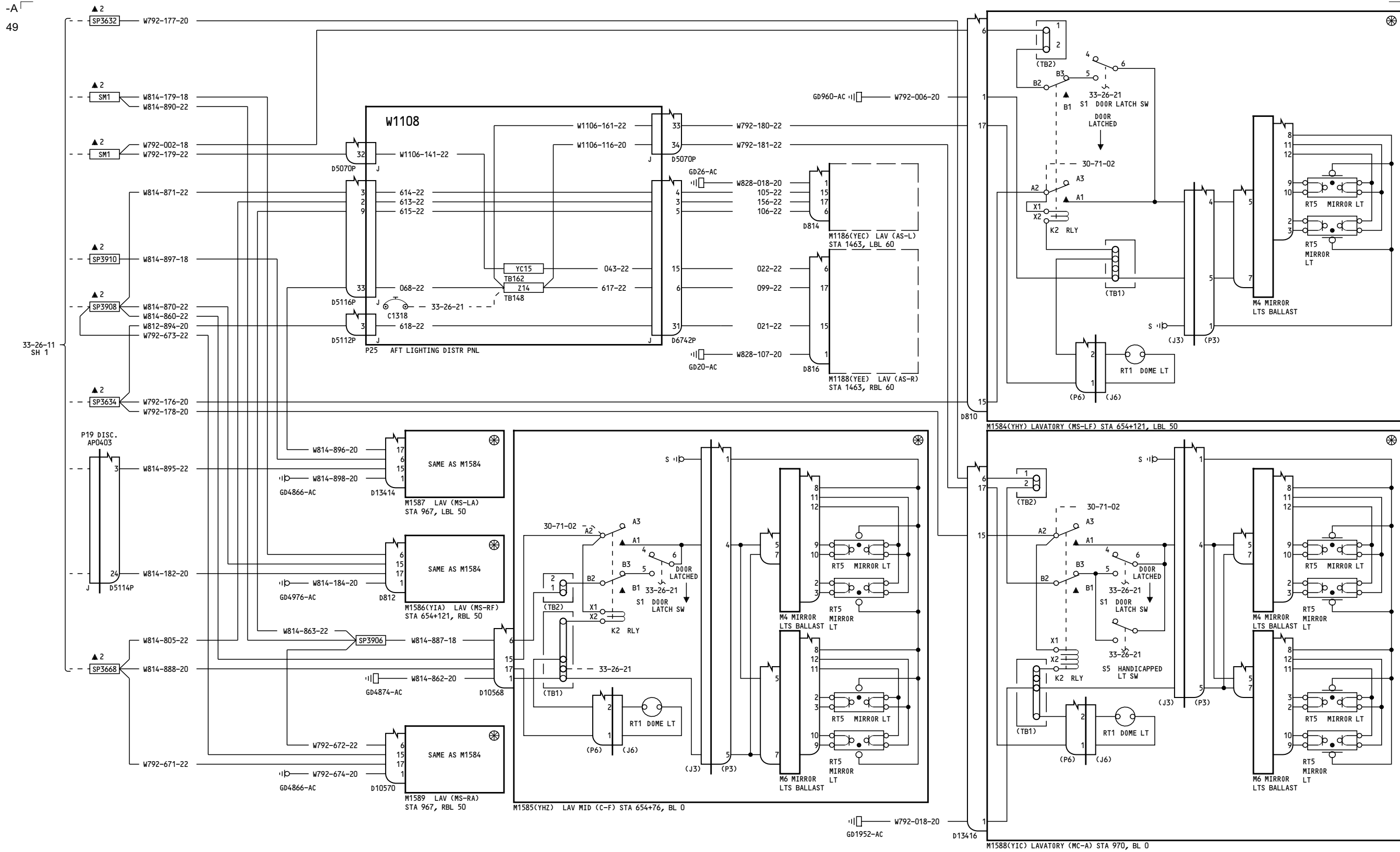
33-26-11

Page 3
Sheet 1
Jan 21/2005

D280T132

33-26-11

Page 3
Sheet 1
Jan 21/2005



151-199

LAVATORY LIGHTS

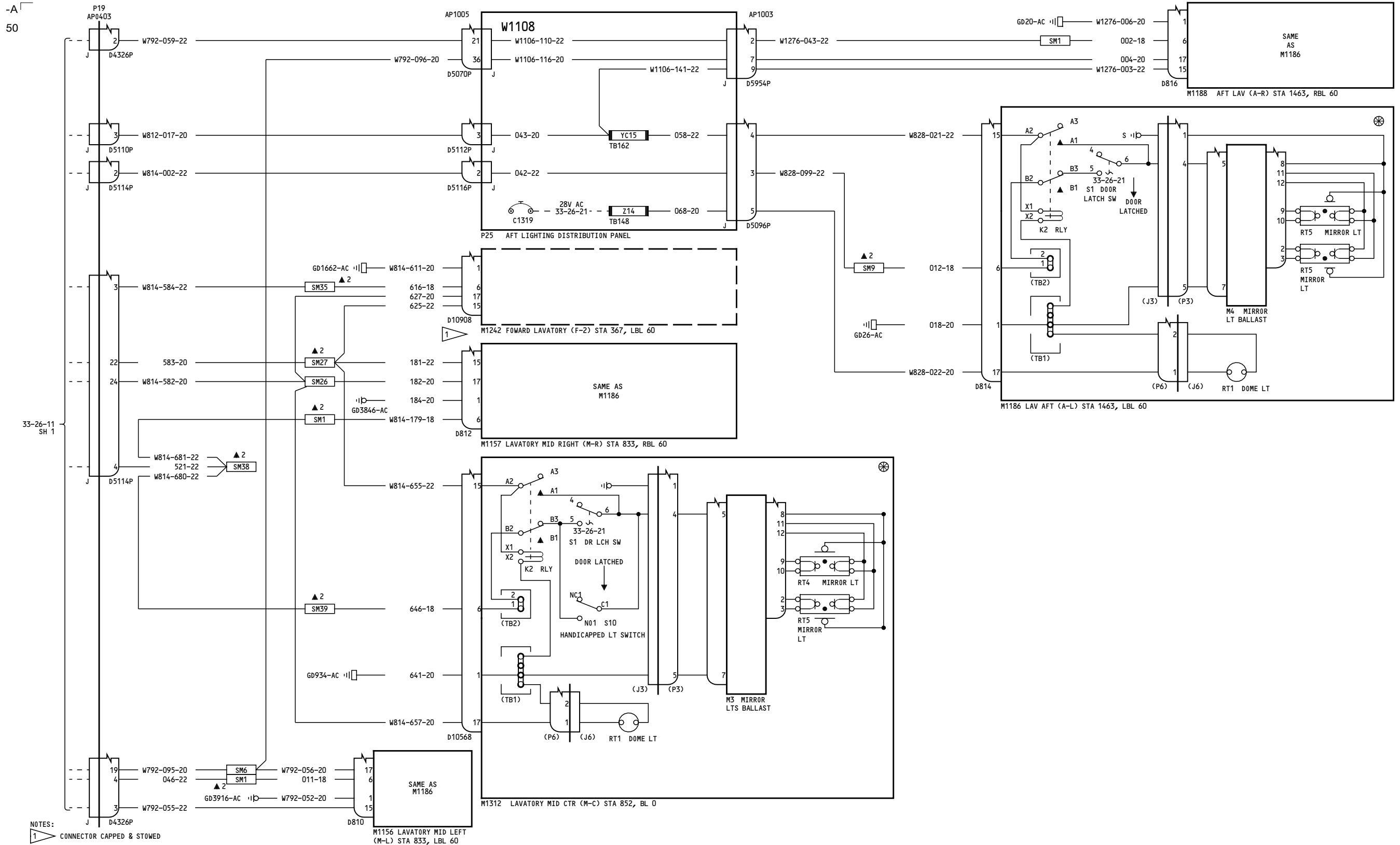
33-26-11

Page 3
Sheet 2
Jan 21/2005

D280T132

33-26-11

Page 3
Sheet 2
Jan 21/2005



NOTES:
1 CONNECTOR CAPPED & STOWED

275-278

LAVATORY LIGHTS

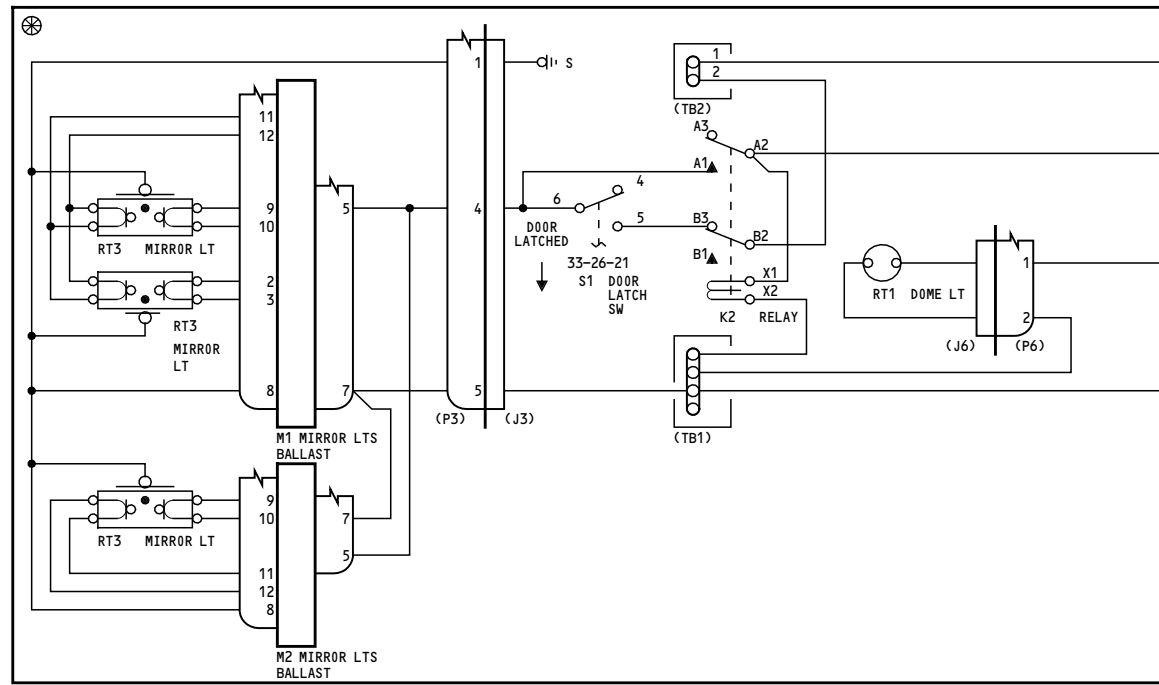
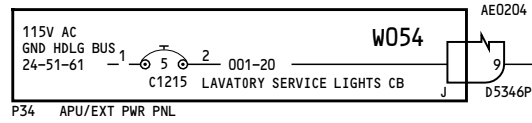
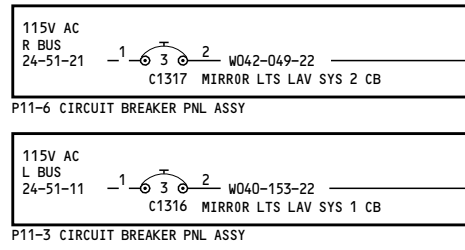
33-26-11

Page 4
Sheet 2
Jan 21/2005

D280T132

33-26-11

Page 4
Sheet 2
Jan 21/2005

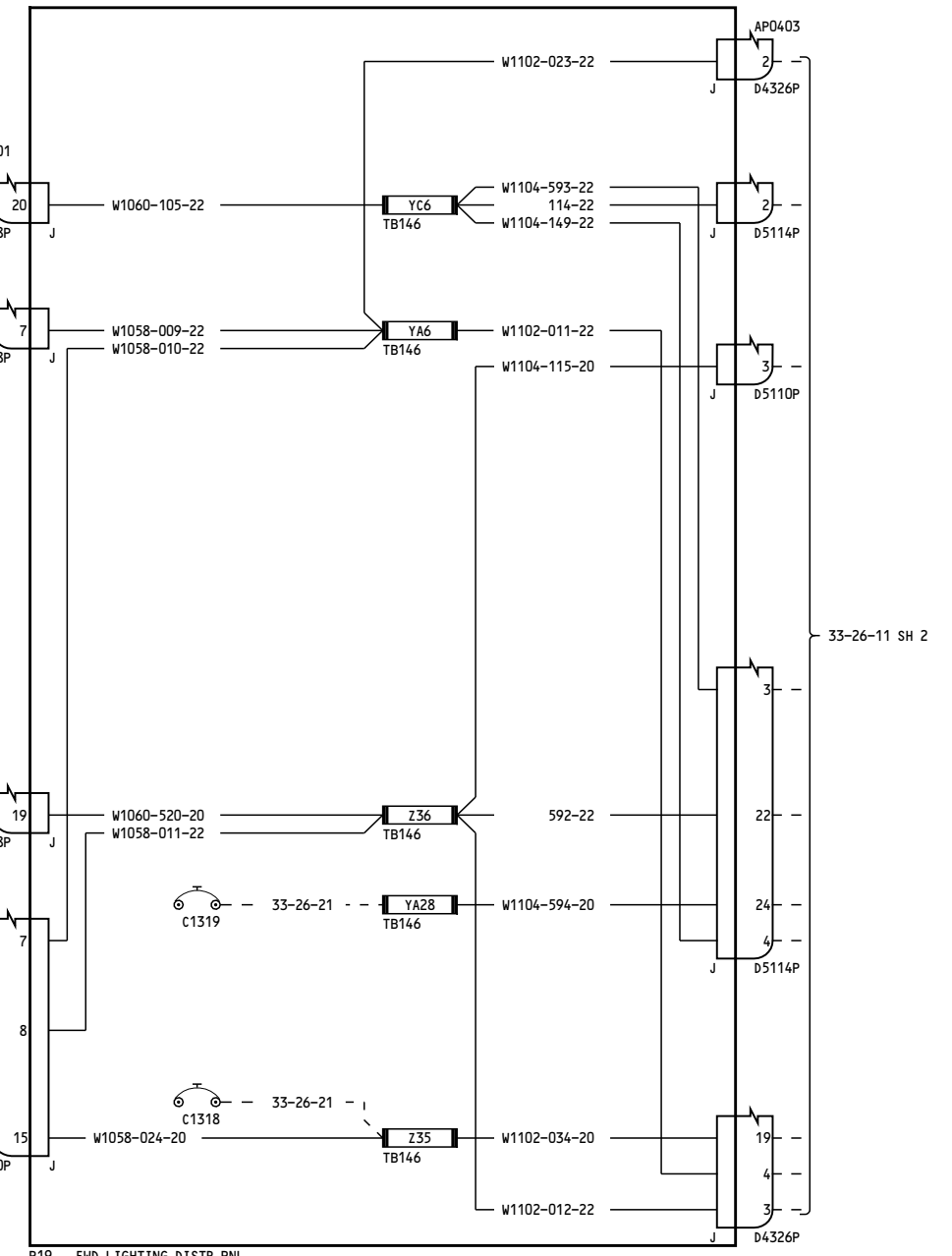


280-299

LAVATORY LIGHTS
D280T132

33-26-11

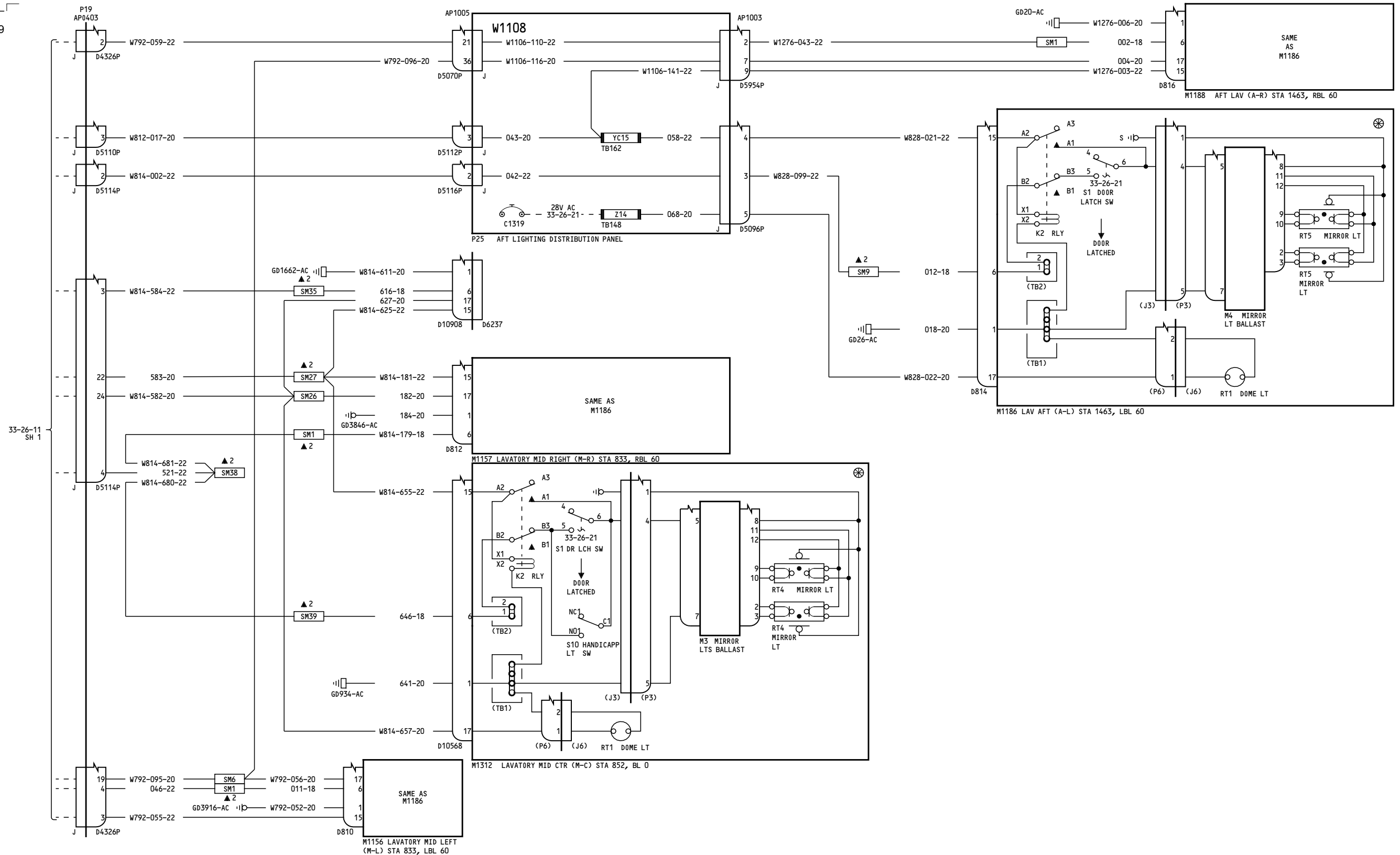
Page 5
Sheet 1
Jan 21/2005



33-26-11

Page 5
Sheet 1
Jan 21/2005

79



280-299

LAVATORY LIGHTS

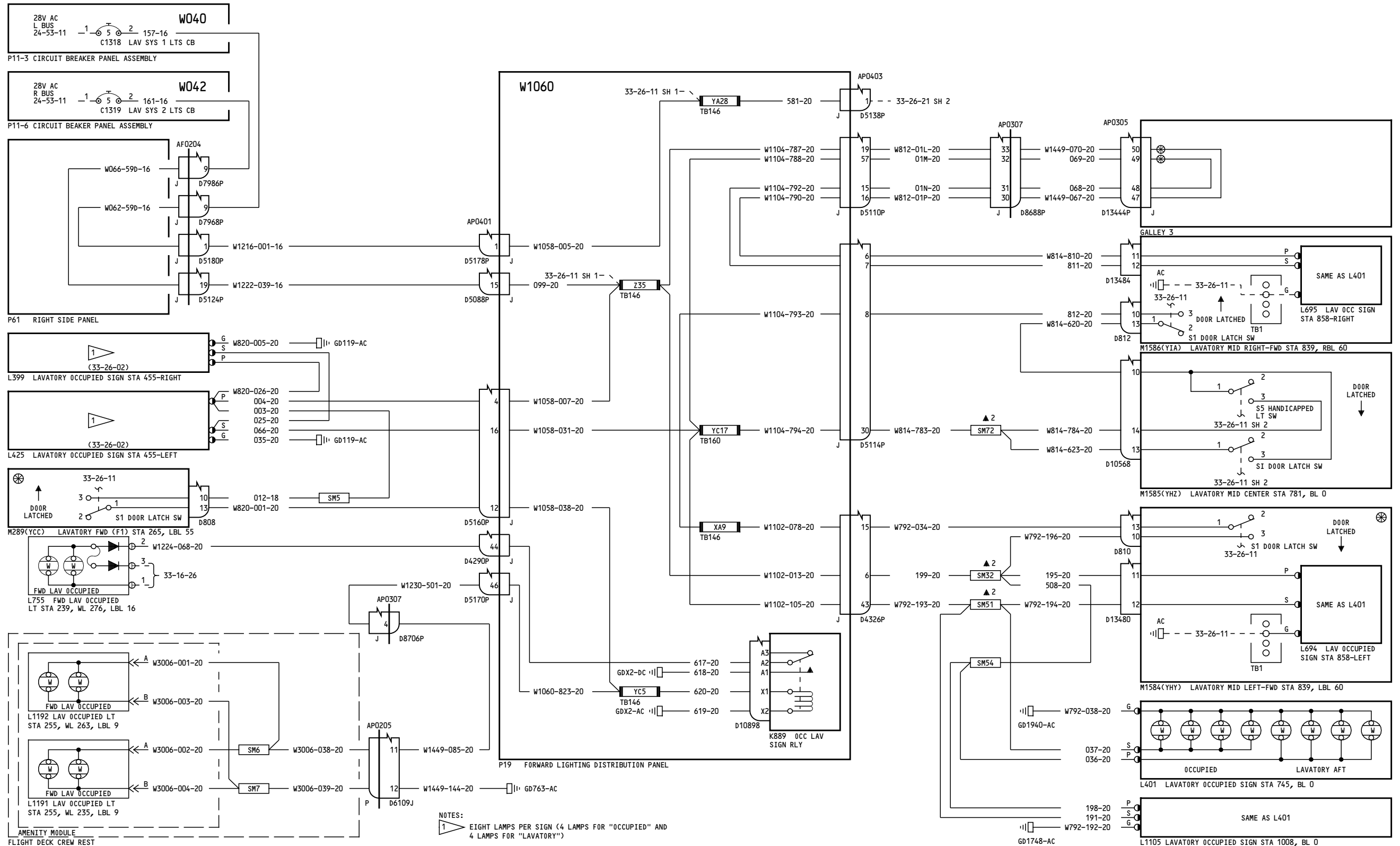
D280T132

33-26-11

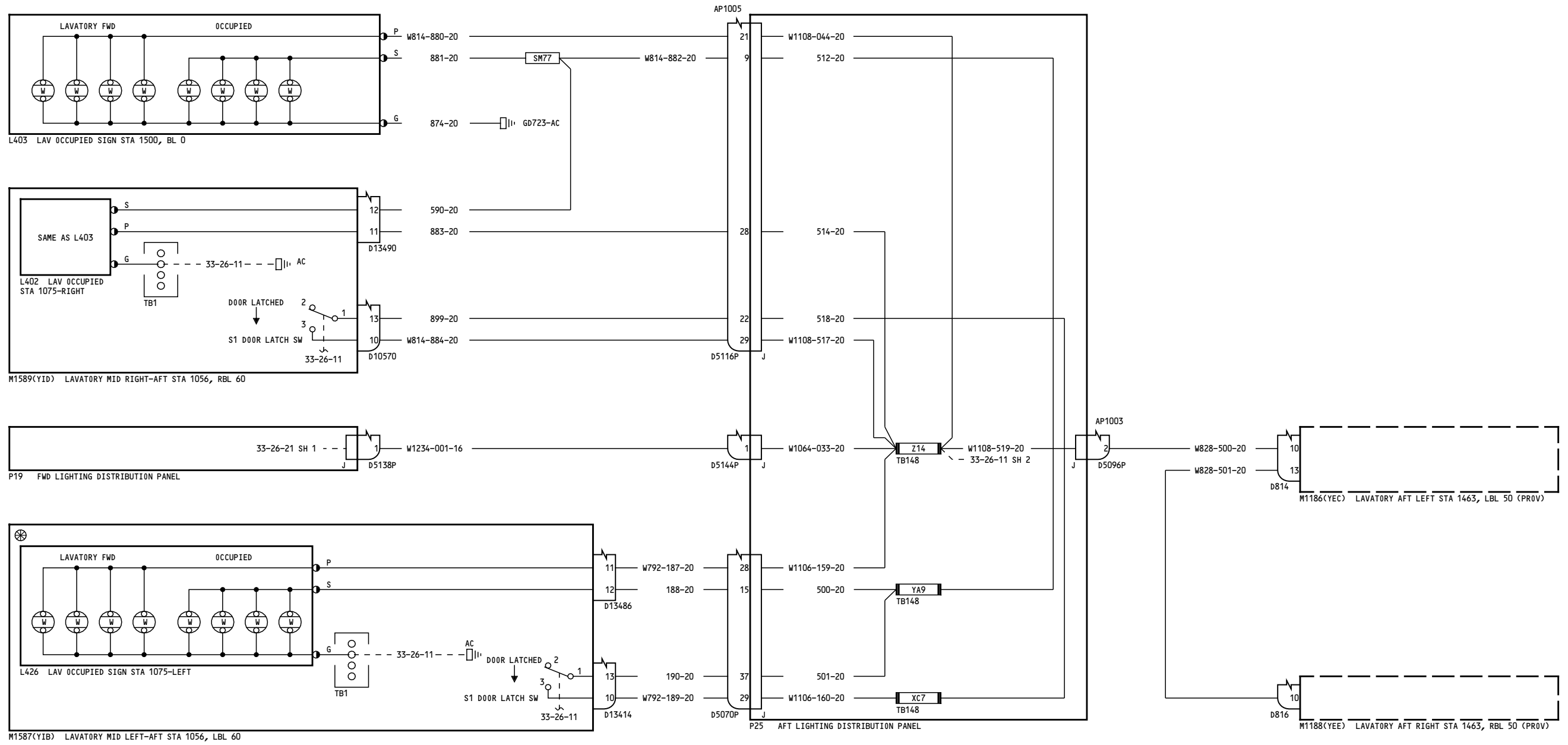
Page 5
Sheet 2
Jan 21/2005

33-26-11

Page 5
Sheet 2
Jan 21/2005



119



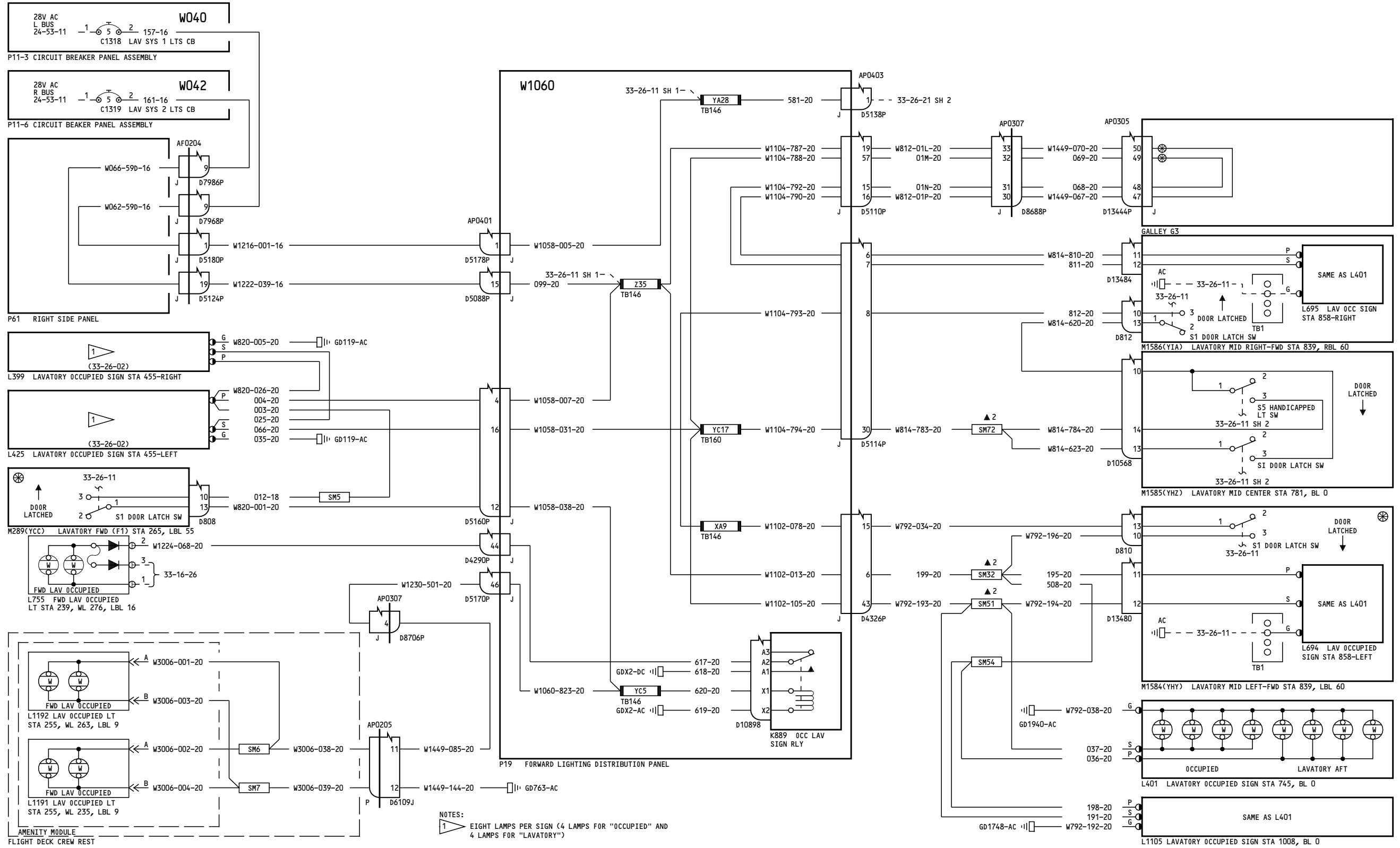
| | |
|-----|-------------------------------------------------------------------------------------------|
| 050 | <p align="center">LAVATORY LIGHTS- OCCUPIED</p> <p align="center">D280T132</p> |
|-----|-------------------------------------------------------------------------------------------|

33-26-21

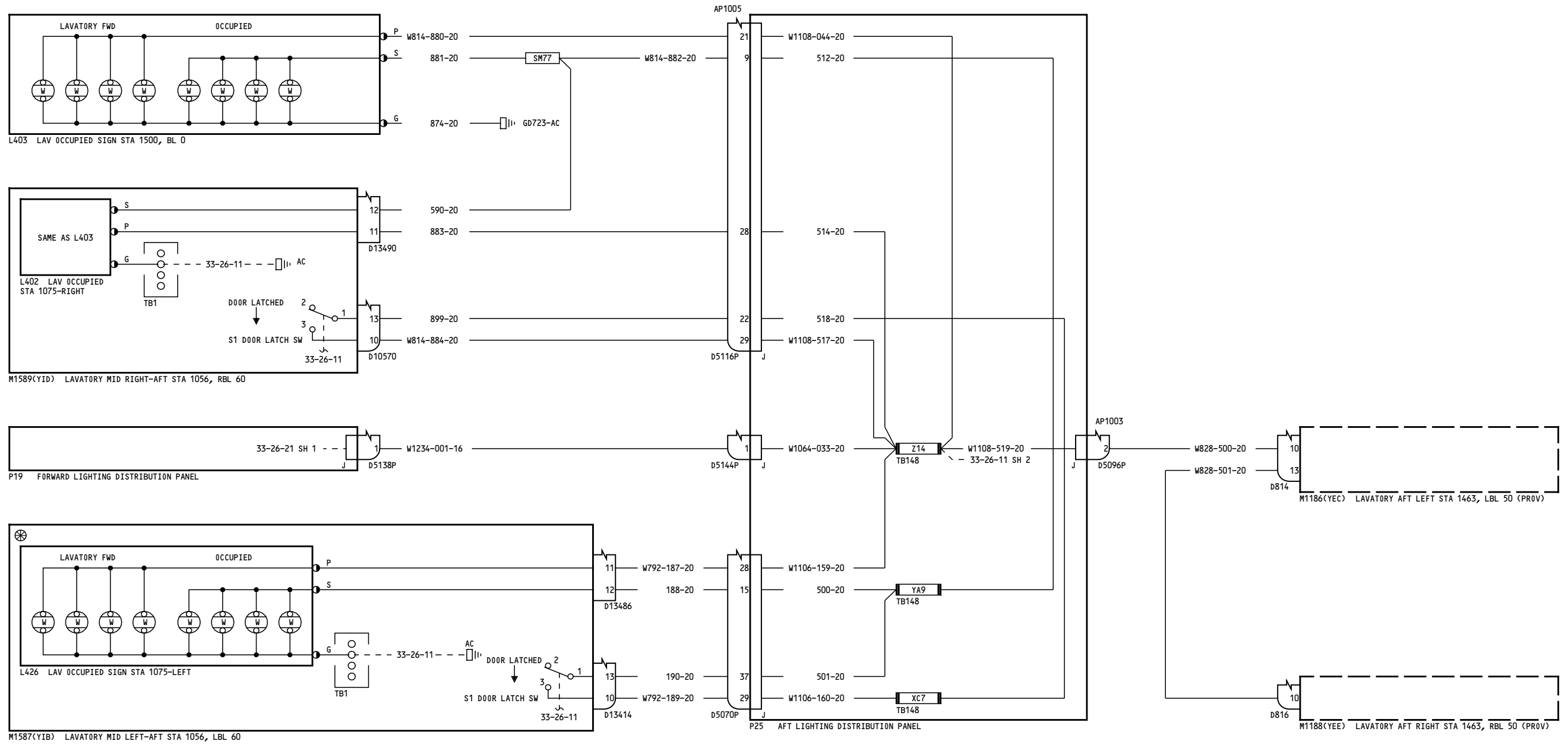
Page 1.1A
Sheet 2
Jan 21/2005

33-26-21

Page 1.1A
Sheet 2
Jan 21/2005



118



051

**LAVATORY LIGHTS-
OCCUPIED**

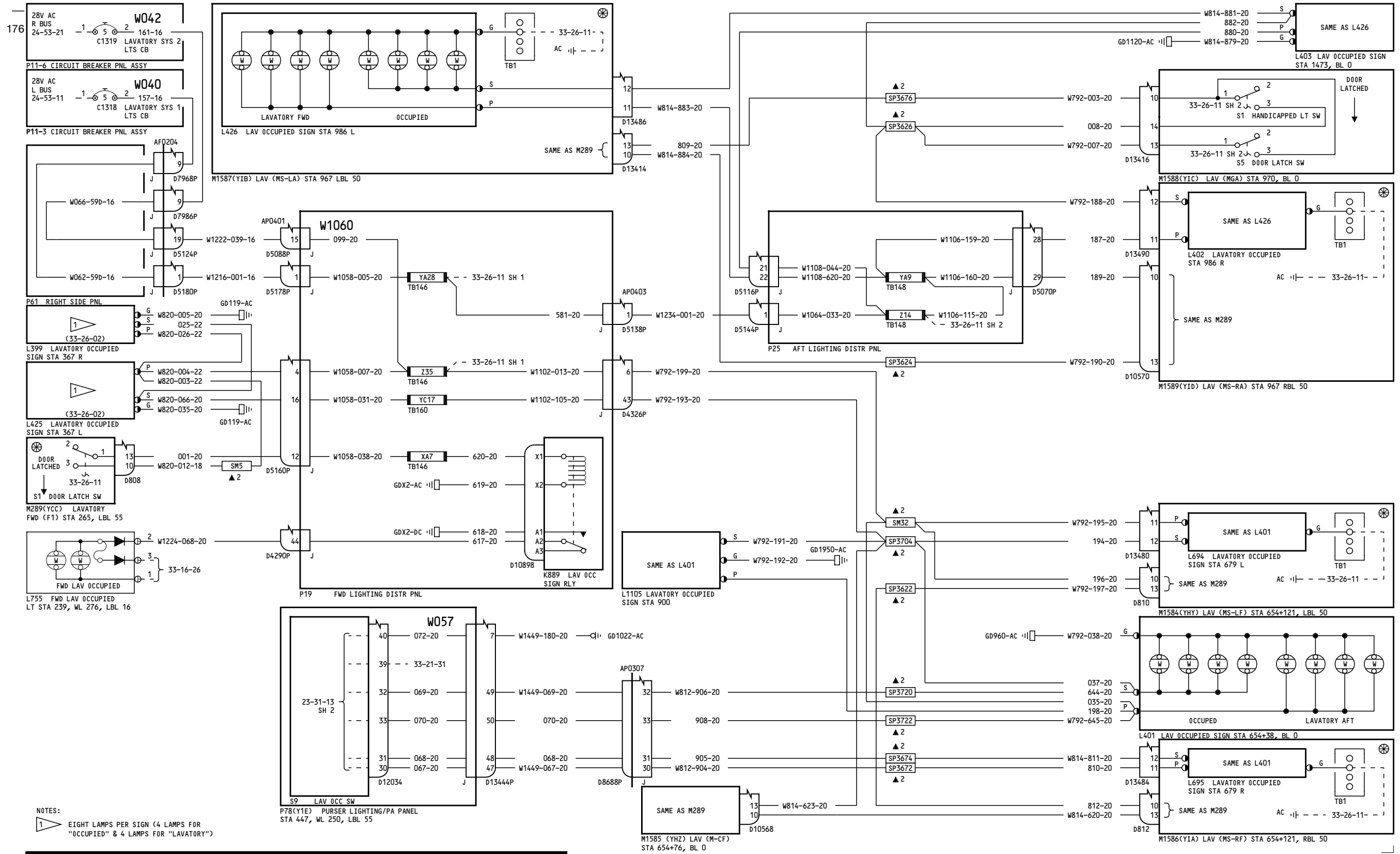
D280T132

33-26-21

Page 2.1A
Sheet 2
Jan 21/2005

33-26-21

Page 2.1A
Sheet 2
Jan 21/2005



NOTES:
 1 EIGHT LAMPS PER SIGN (4 LAMPS FOR "OCCUPIED" & 4 LAMPS FOR "LAVATORY")

150, 154

LAVATORY LIGHTS- OCCUPIED

D280T132

33-26-21

Page 3.1A

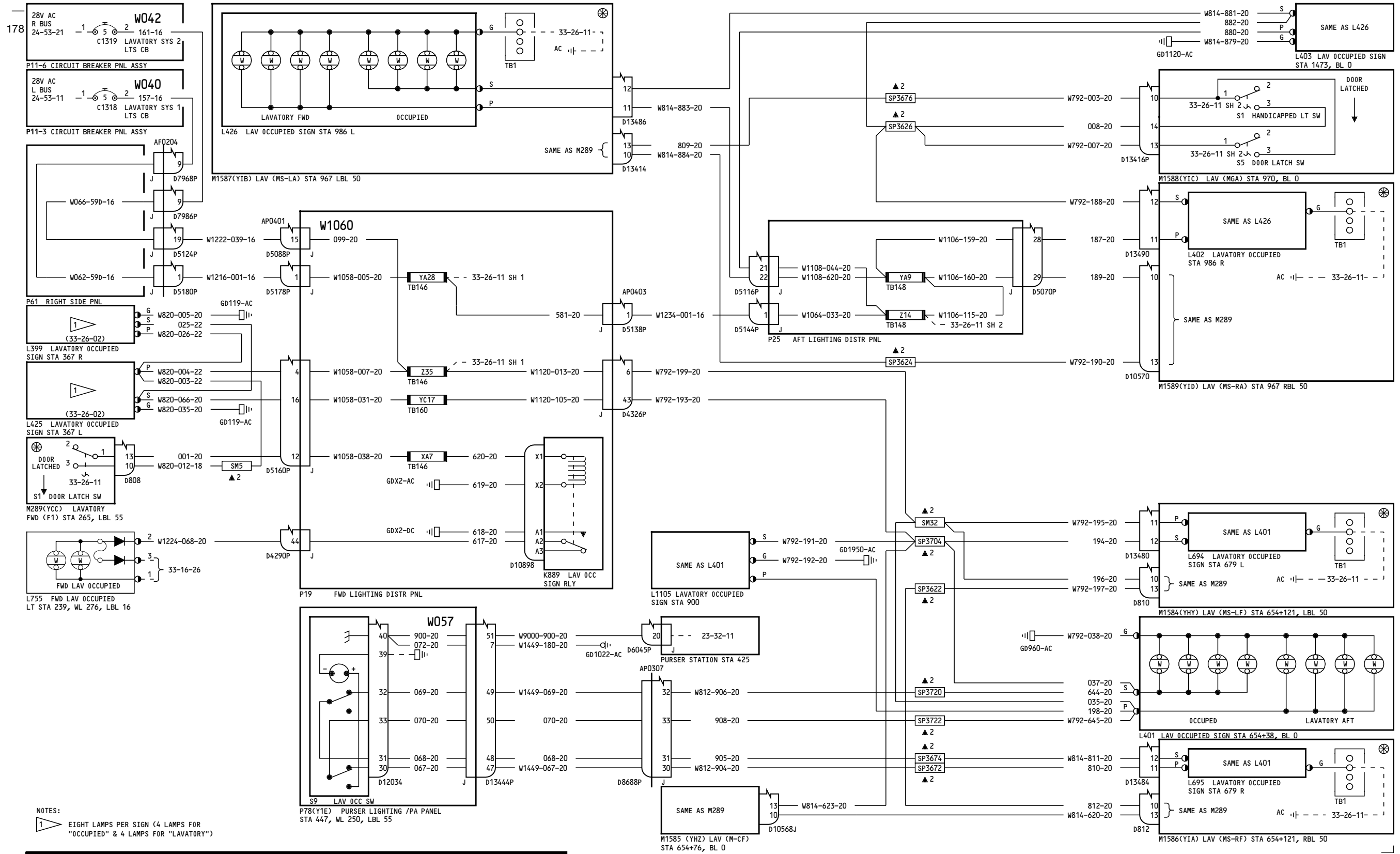
Jan 21/2005

- Incorporates
- ▶ 33-0041
 - ▶ MTO 230485B
 - ▶ MTO 330286
 - ▶ MTO 330342B

33-26-21

Page 3.1A

Jan 21/2005



NOTES:
 1 EIGHT LAMPS PER SIGN (4 LAMPS FOR "OCCUPIED" & 4 LAMPS FOR "LAVATORY")

151-152

LAVATORY LIGHTS-OCCUPIED

D280T132

33-26-21

Page 4.1A

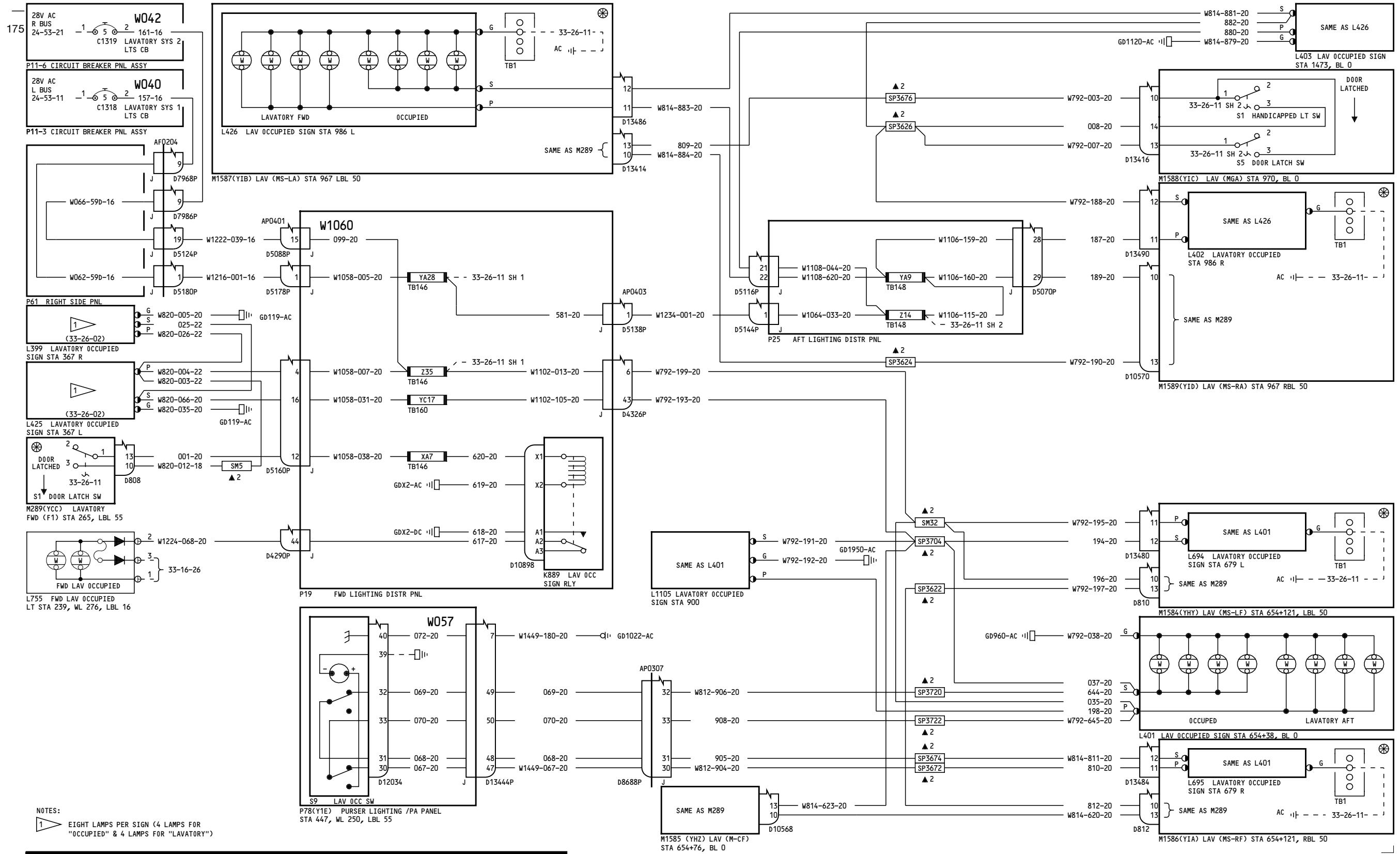
Jan 21/2005

Incorporates
 33-0041
 MTO 330286

33-26-21

Page 4.1A

Jan 21/2005



153

LAVATORY LIGHTS- OCCUPIED

33-26-21

Page 5.1A

Jan 21/2005

D280T132

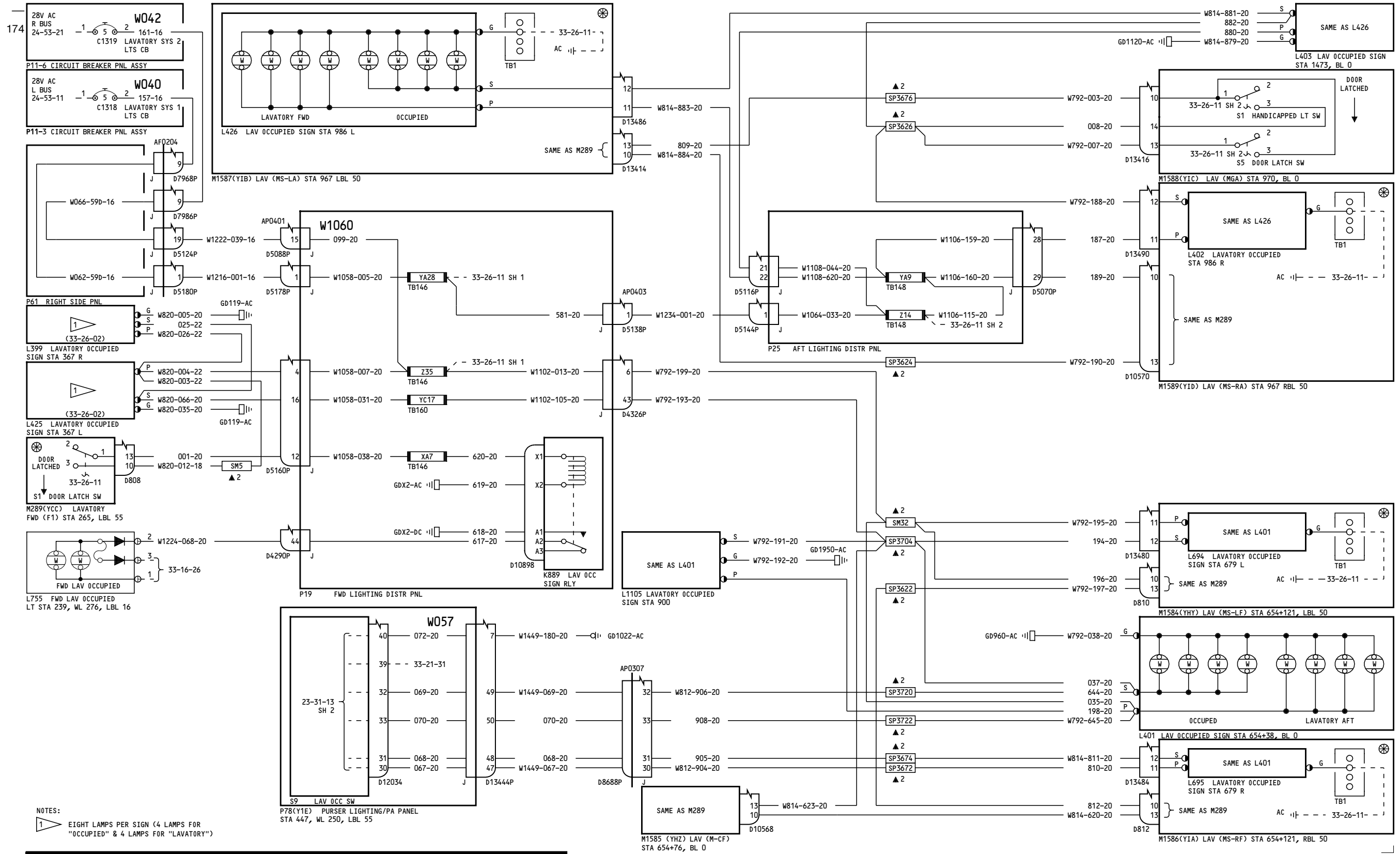
Incorporates

- ▶ 33-0041
- ▶ MTO 330286
- ▶ MTO 330342B

33-26-21

Page 5.1A

Jan 21/2005



NOTES:
 1 EIGHT LAMPS PER SIGN (4 LAMPS FOR "OCCUPIED" & 4 LAMPS FOR "LAVATORY")

155

LAVATORY LIGHTS-OCCUPIED

D280T132

33-26-21

Page 6.1A

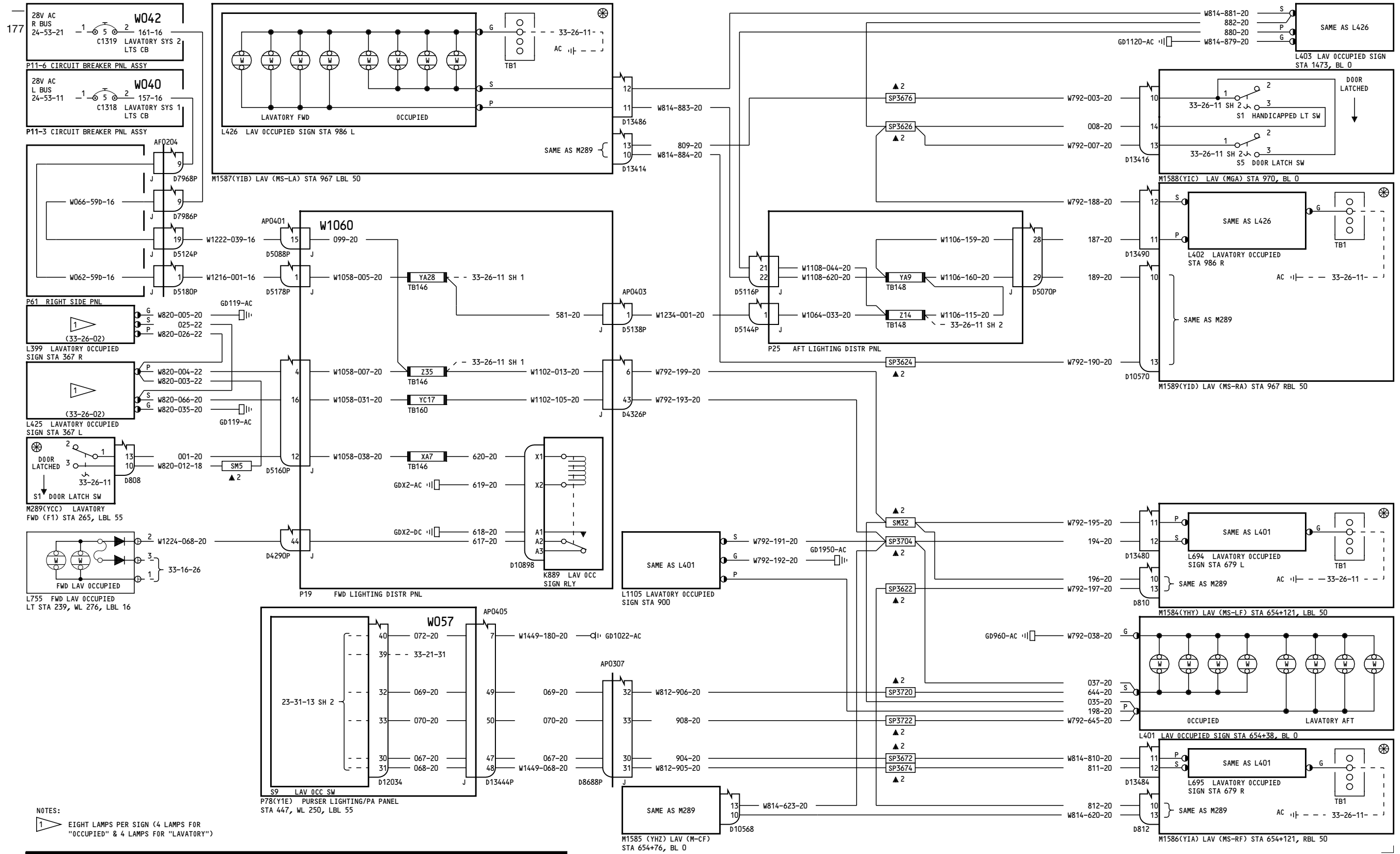
Jan 21/2005

- Incorporates
- ▶ 33-0041
 - ▶ MTO 230485B
 - ▶ MTO 330286 R01
 - ▶ MTO 330342B

33-26-21

Page 6.1A

Jan 21/2005



NOTES:
 1 EIGHT LAMPS PER SIGN (4 LAMPS FOR "OCCUPIED" & 4 LAMPS FOR "LAVATORY")

156-157

LAVATORY LIGHTS-OCCUPIED

D280T132

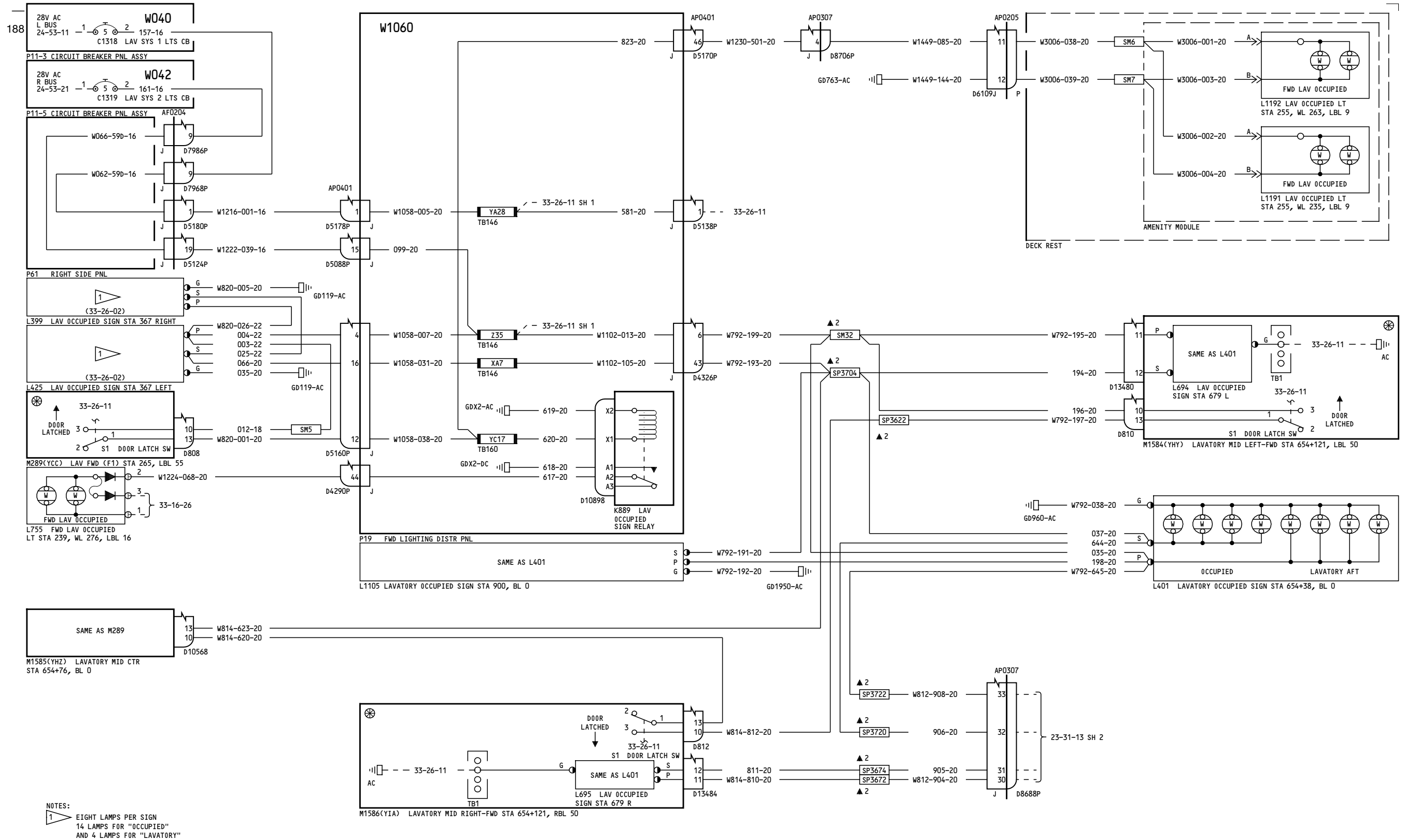
33-26-21

Page 7A
 Jan 21/2005

Incorporates
 MTO 230485B

33-26-21

Page 7A
 Jan 21/2005



162-165

**LAVATORY LIGHTS-
OCCUPIED**

33-26-21

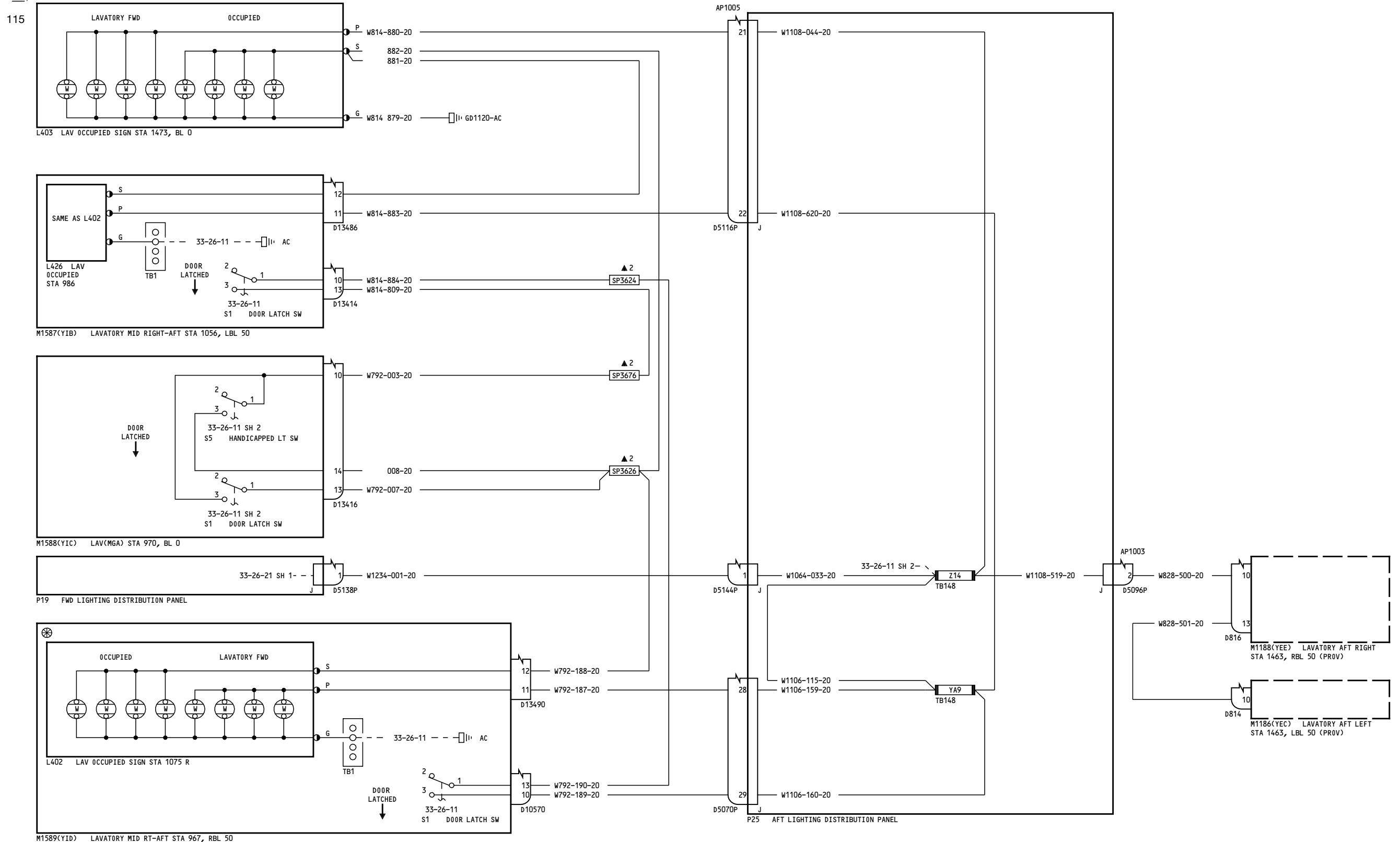
Page 8A
Sheet 1
Jan 21/2005

D280T132

Incorporates
 MTO 230485B
 MTO 330286

33-26-21

Page 8A
Sheet 1
Jan 21/2005



162-165

LAVATORY LIGHTS- OCCUPIED

33-26-21

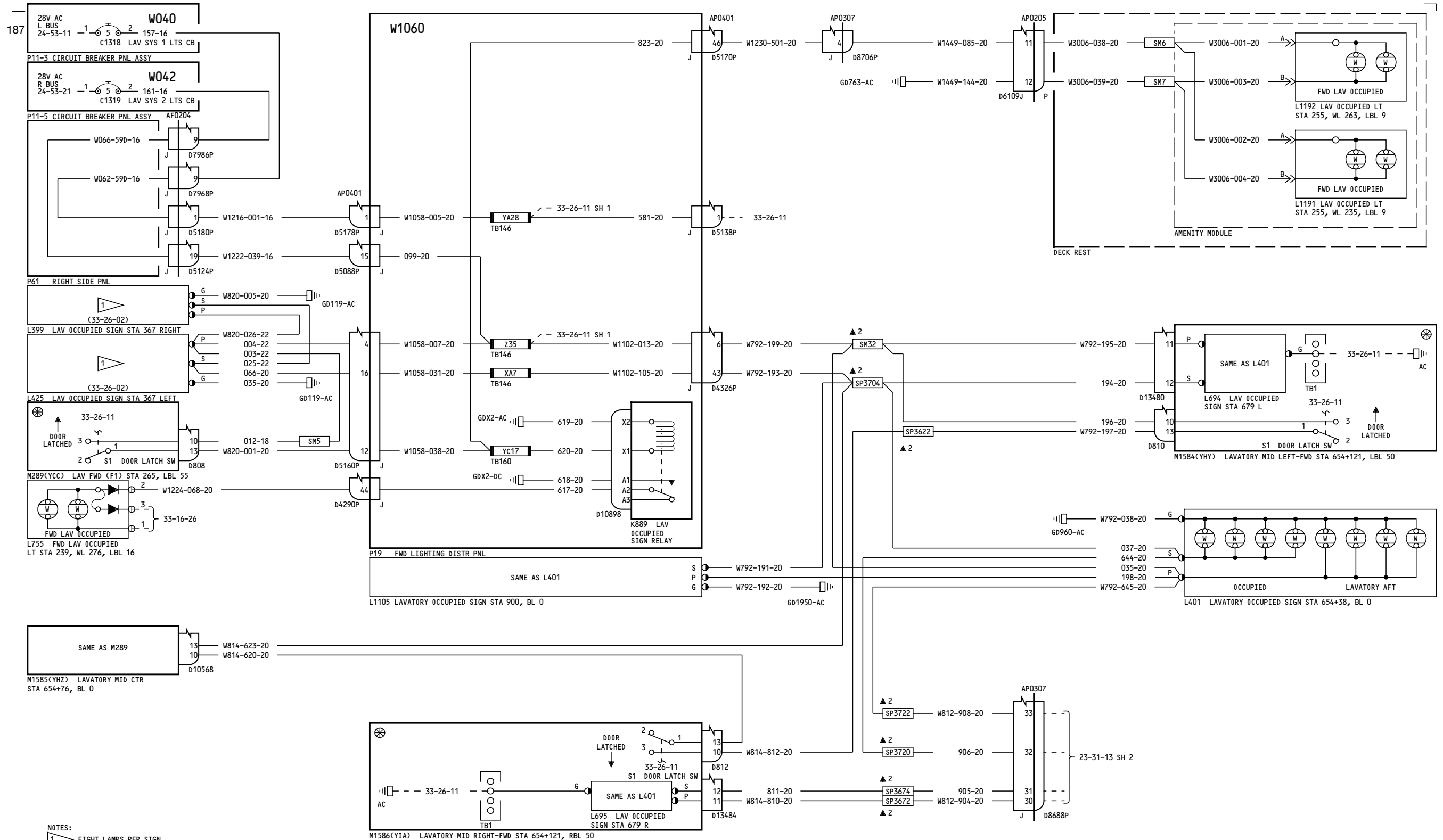
Incorporates
MTO 230485B

33-26-21

D280T132

Page 8A
Sheet 2
Jan 21/2005

Page 8A
Sheet 2
Jan 21/2005



NOTES:
 1 EIGHT LAMPS PER SIGN
 14 LAMPS FOR "OCCUPIED"
 AND 4 LAMPS FOR "LAVATORY"

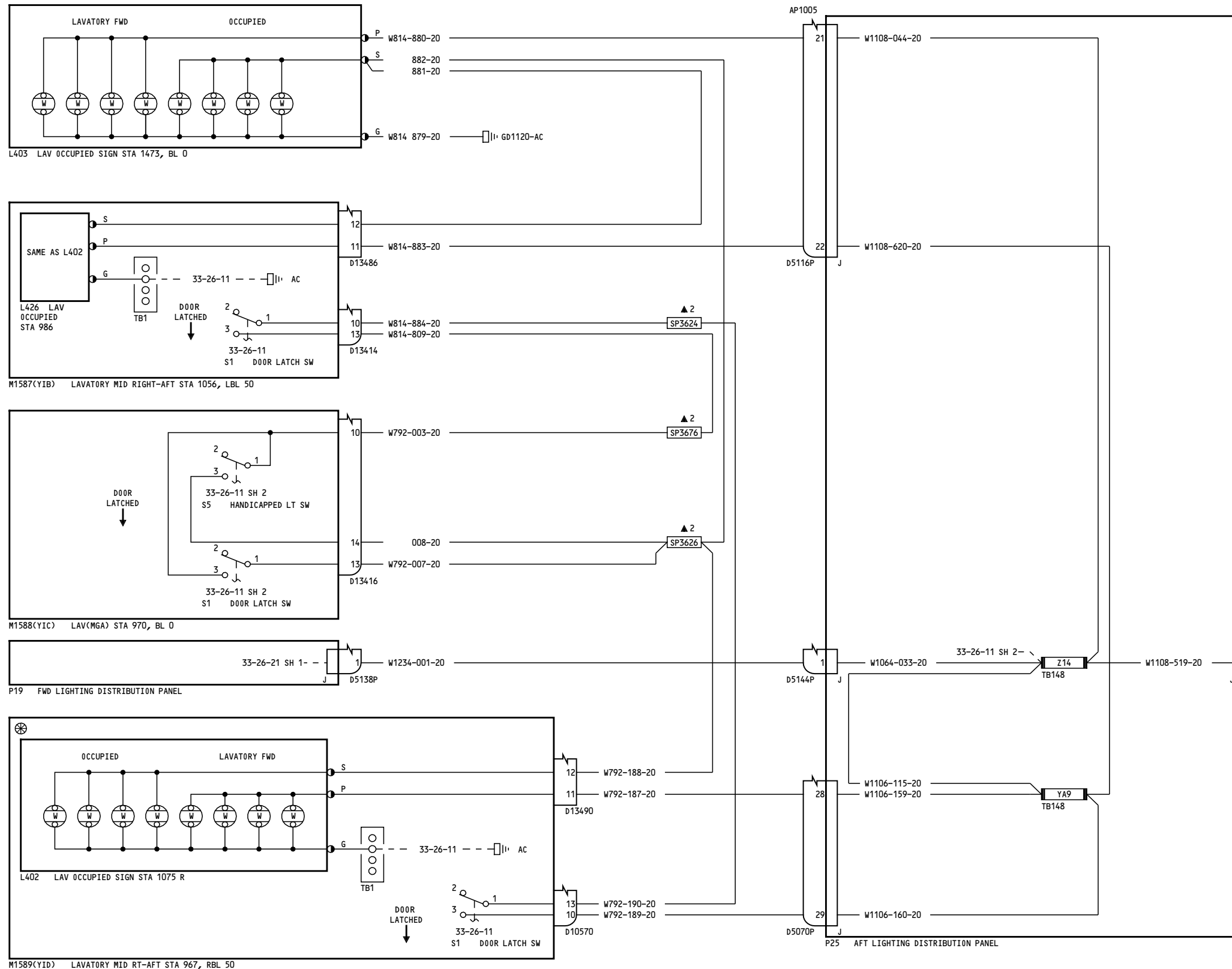
| | | |
|-----|--------------------------------------|-----------------------------------|
| 166 | LAVATORY LIGHTS- OCCUPIED | 33-26-21 |
| | D280T132 | Page 9A Sheet 1 Jan 21/2005 |

Incorporates
 MTO 230485B

33-26-21

Page 9A
Sheet 1
Jan 21/2005

117



166

LAVATORY LIGHTS- OCCUPIED

33-26-21

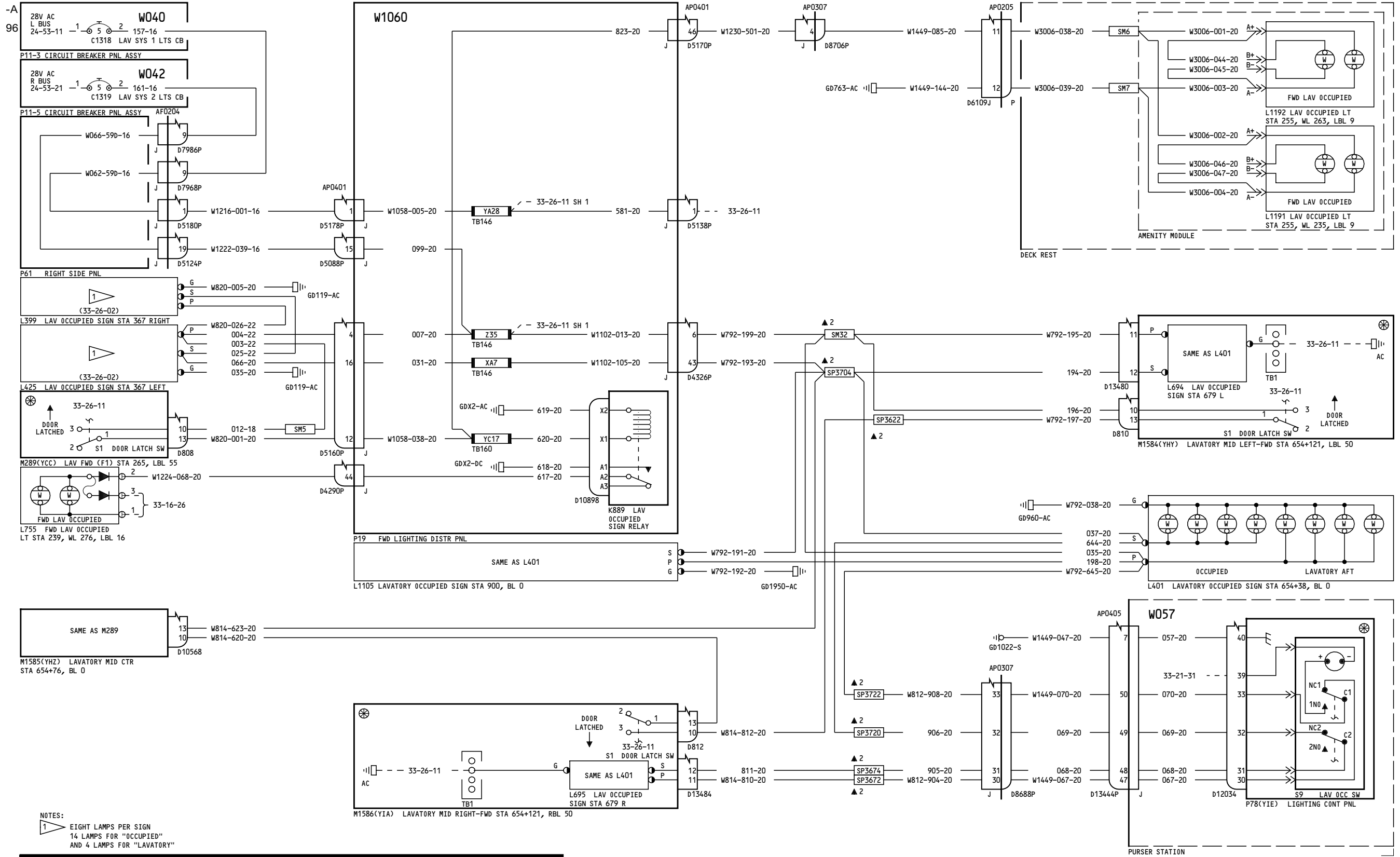
Page 9A
Sheet 2
Jan 21/2005

D280T132

Incorporates
MTO 230485B

33-26-21

Page 9A
Sheet 2
Jan 21/2005



167-199

LAVATORY LIGHTS-OCCUPIED

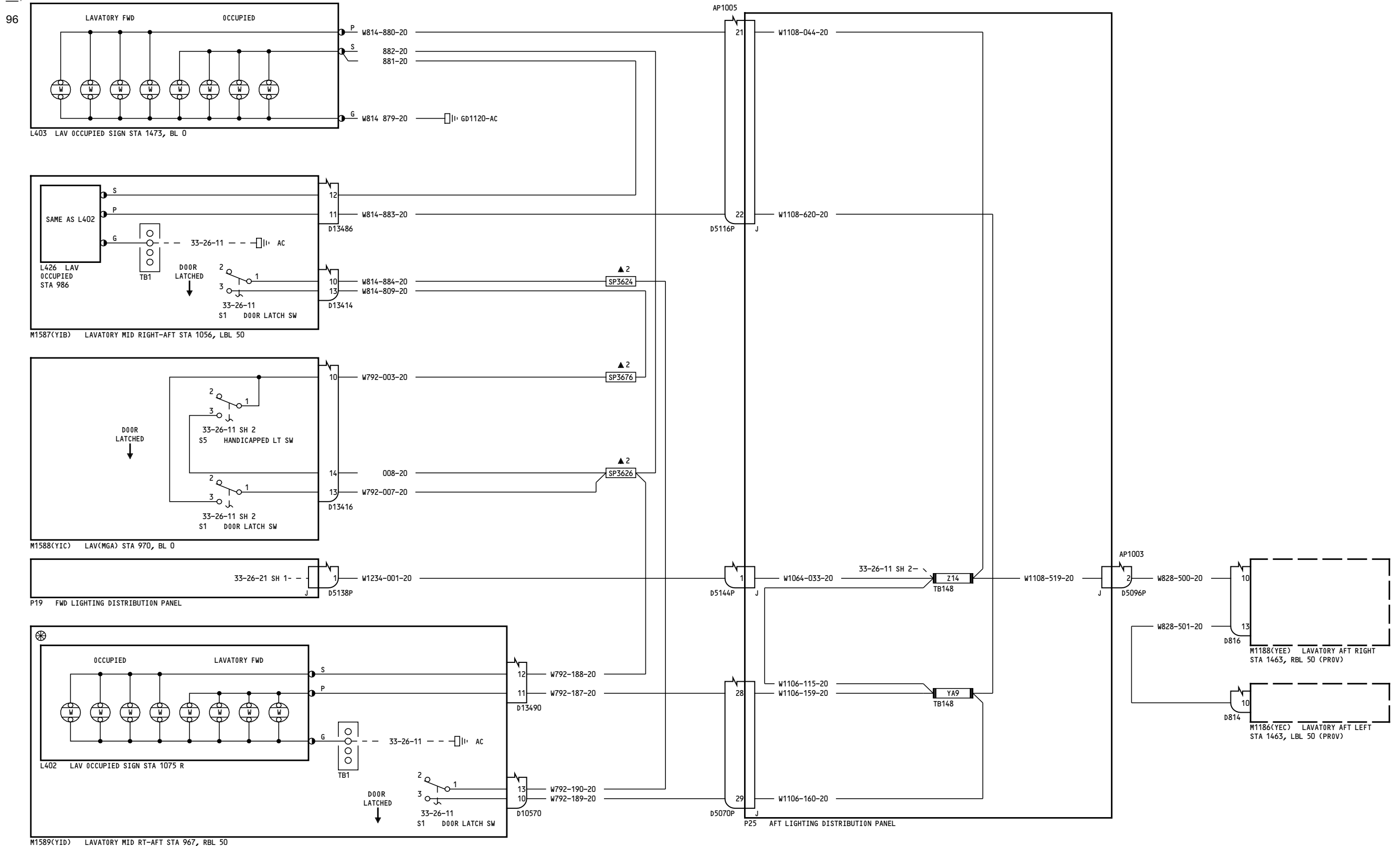
D280T132

33-26-21

Page 10
Sheet 1
Jan 21/2005

33-26-21

Page 10
Sheet 1
Jan 21/2005



167-199

LAVATORY LIGHTS- OCCUPIED

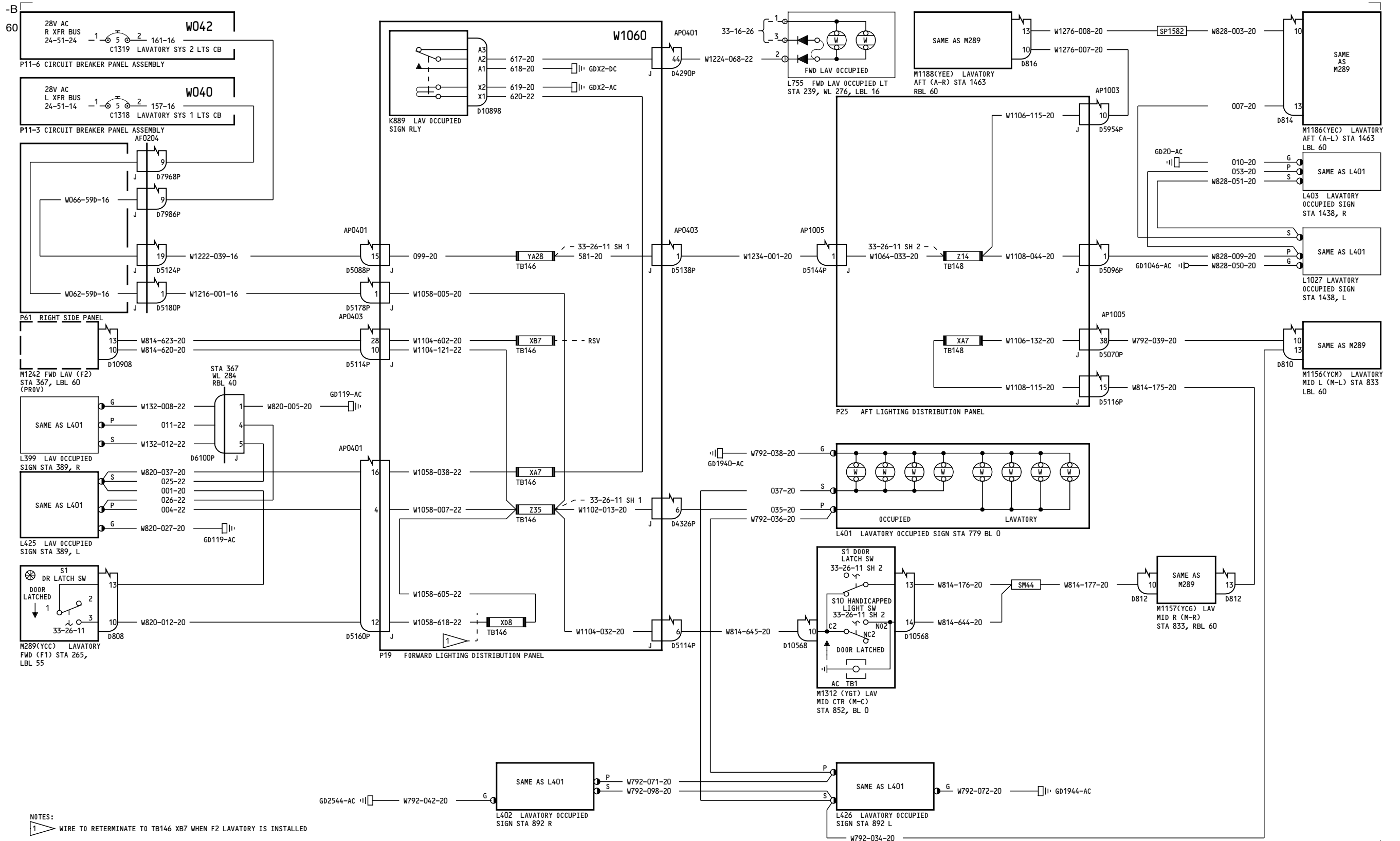
33-26-21

Page 10
Sheet 2
Jan 21/2005

D280T132

33-26-21

Page 10
Sheet 2
Jan 21/2005



NOTES:
 1 WIRE TO RETERMINATE TO TB146 XB7 WHEN F2 LAVATORY IS INSTALLED

275-278

LAVATORY LIGHTS- OCCUPIED

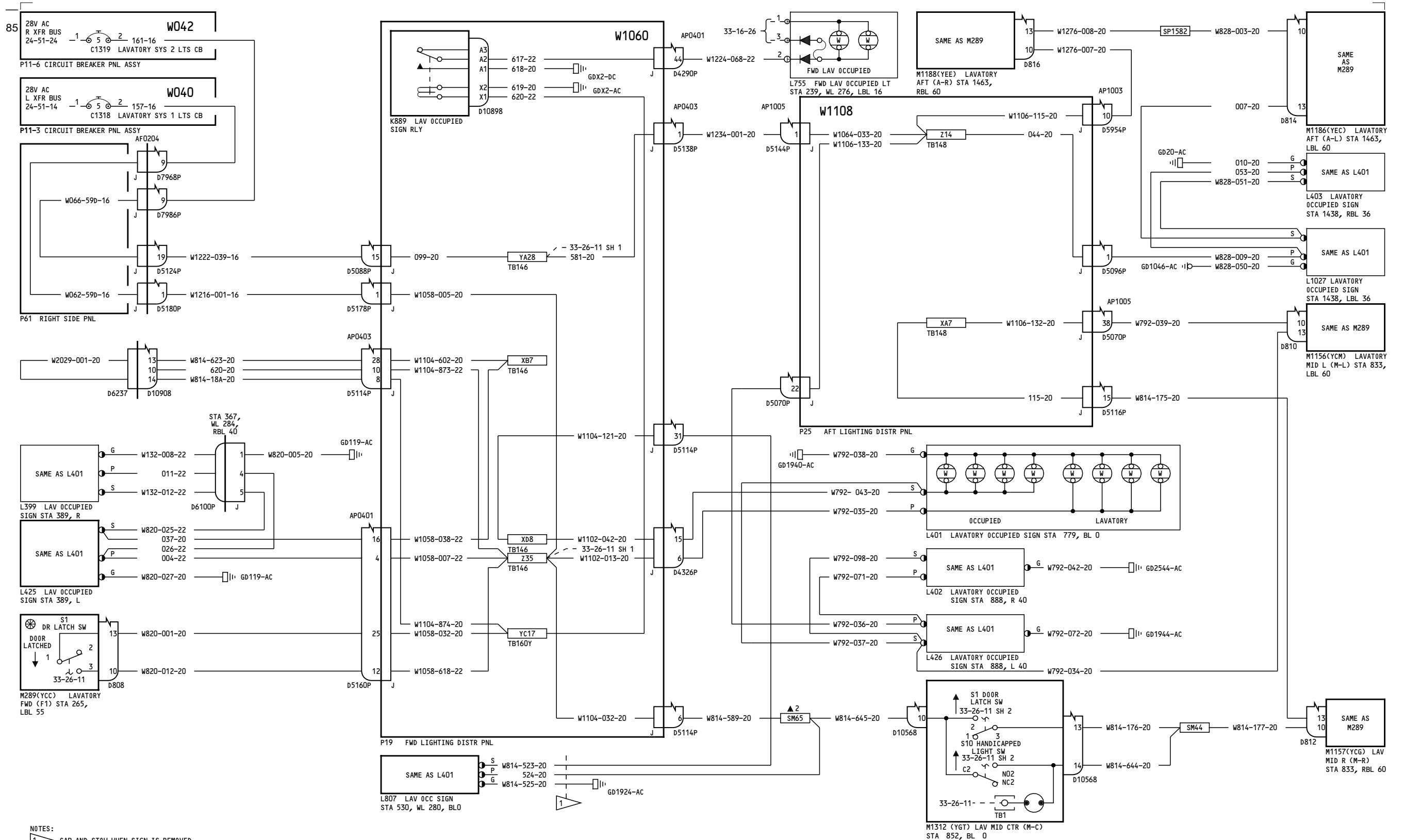
D280T132

33-26-21

Page 11
 Jan 21/2005

33-26-21

Page 11
 Jan 21/2005



NOTES:
 1 CAP AND STOW WHEN SIGN IS REMOVED.

280-299

LAVATORY LIGHTS- OCCUPIED

33-26-21

Page 12

Jan 21/2005

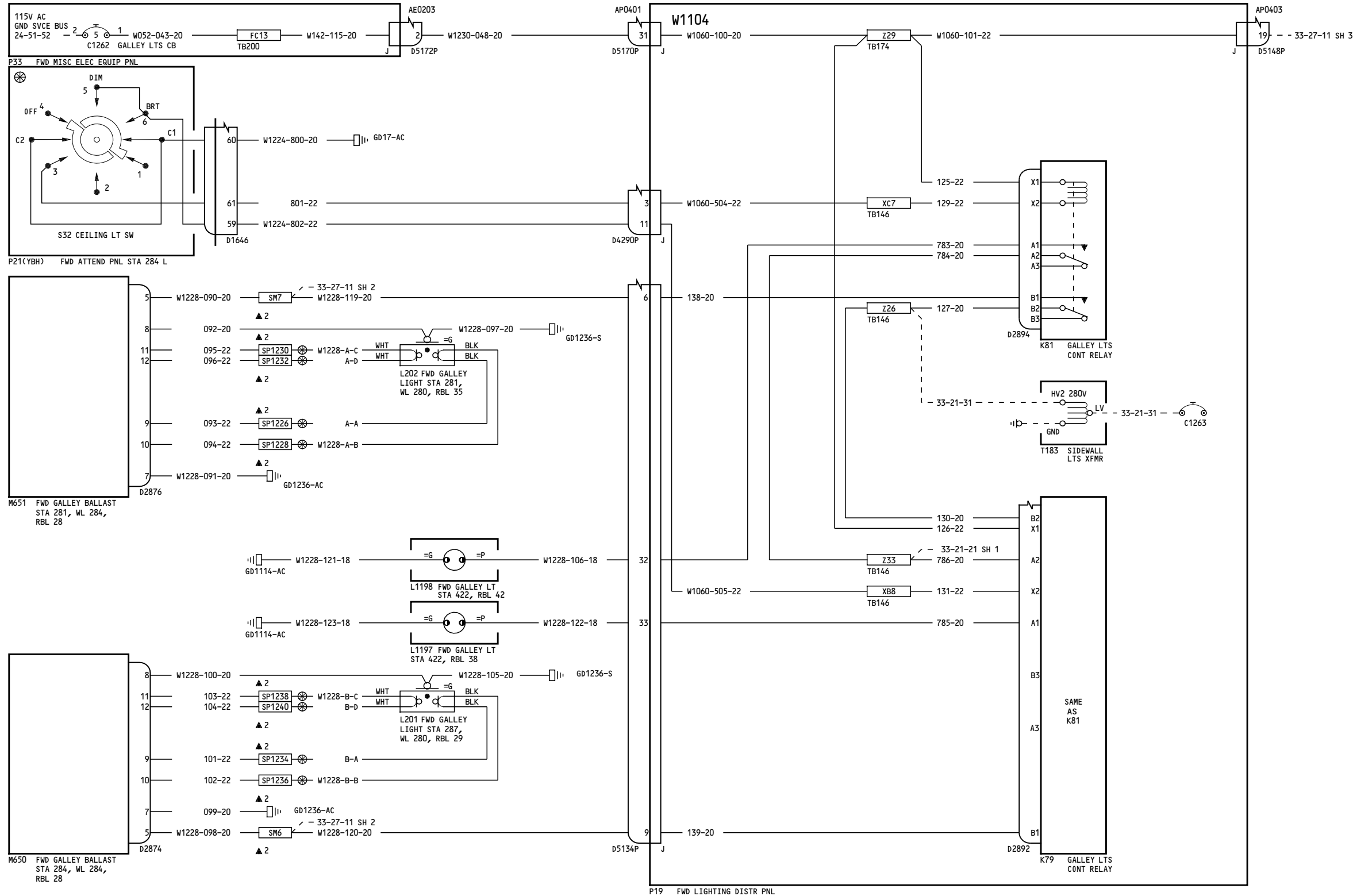
D280T132

33-26-21

Page 12

Jan 21/2005

48



050-099

GALLEY LIGHTS

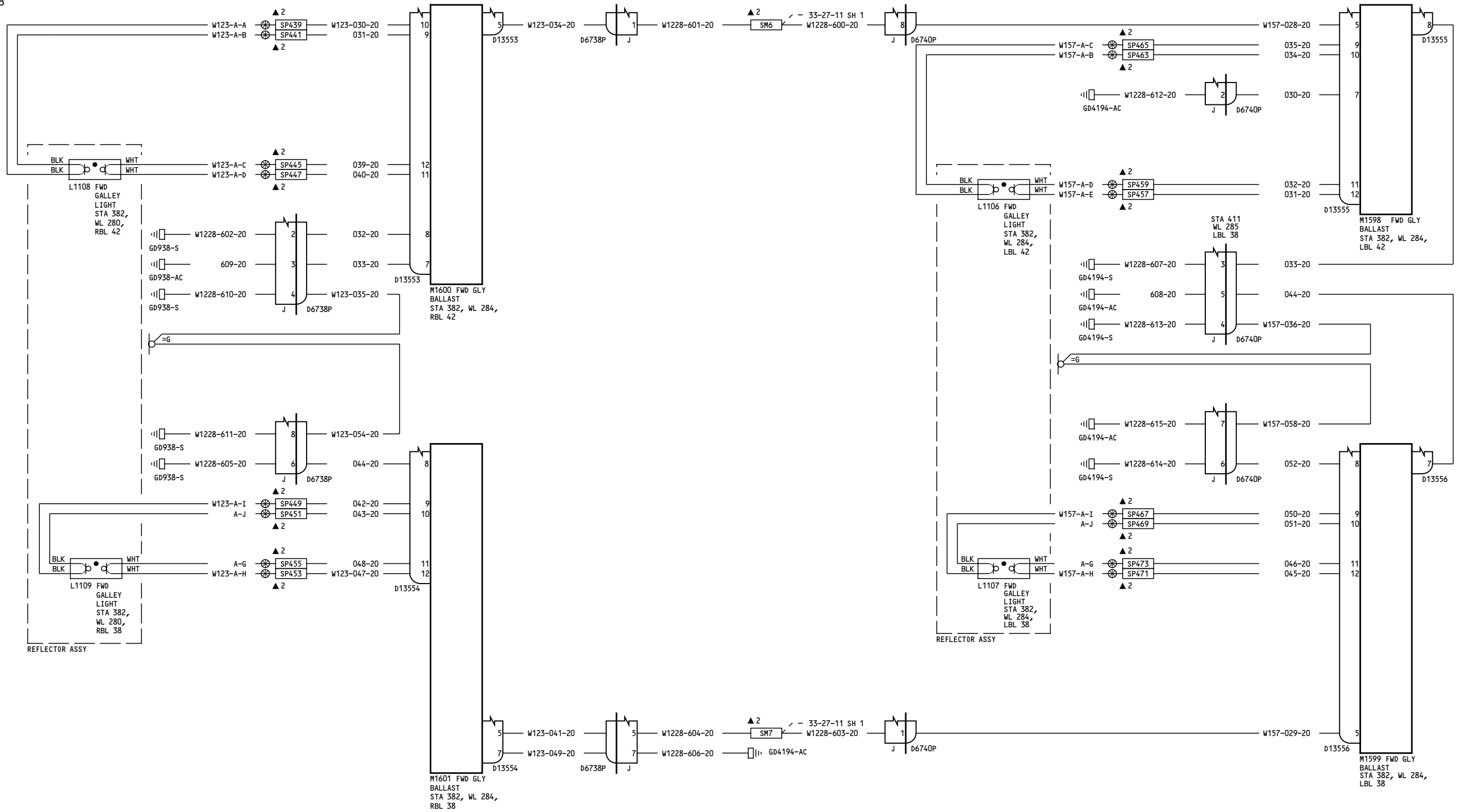
33-27-11

Page 1
Sheet 1
Jan 21/2005

D280T132

33-27-11

Page 1
Sheet 1
Jan 21/2005



050-099

GALLEY LIGHTS

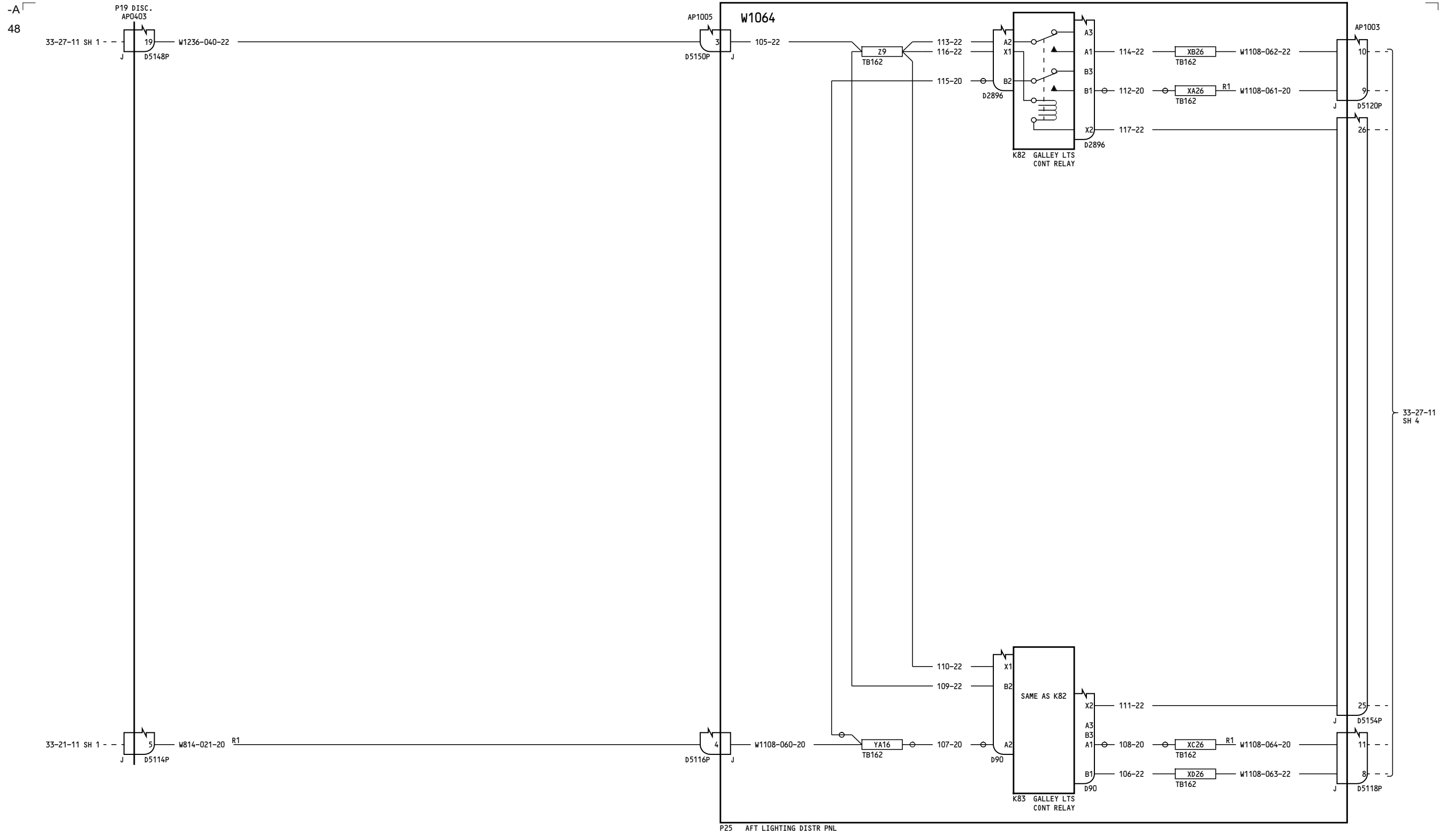
33-27-11

Page 1
Sheet 2
Jan 21/2005

D280T132

33-27-11

Page 1
Sheet 2
Jan 21/2005



050-099

GALLEY LIGHTS

33-27-11

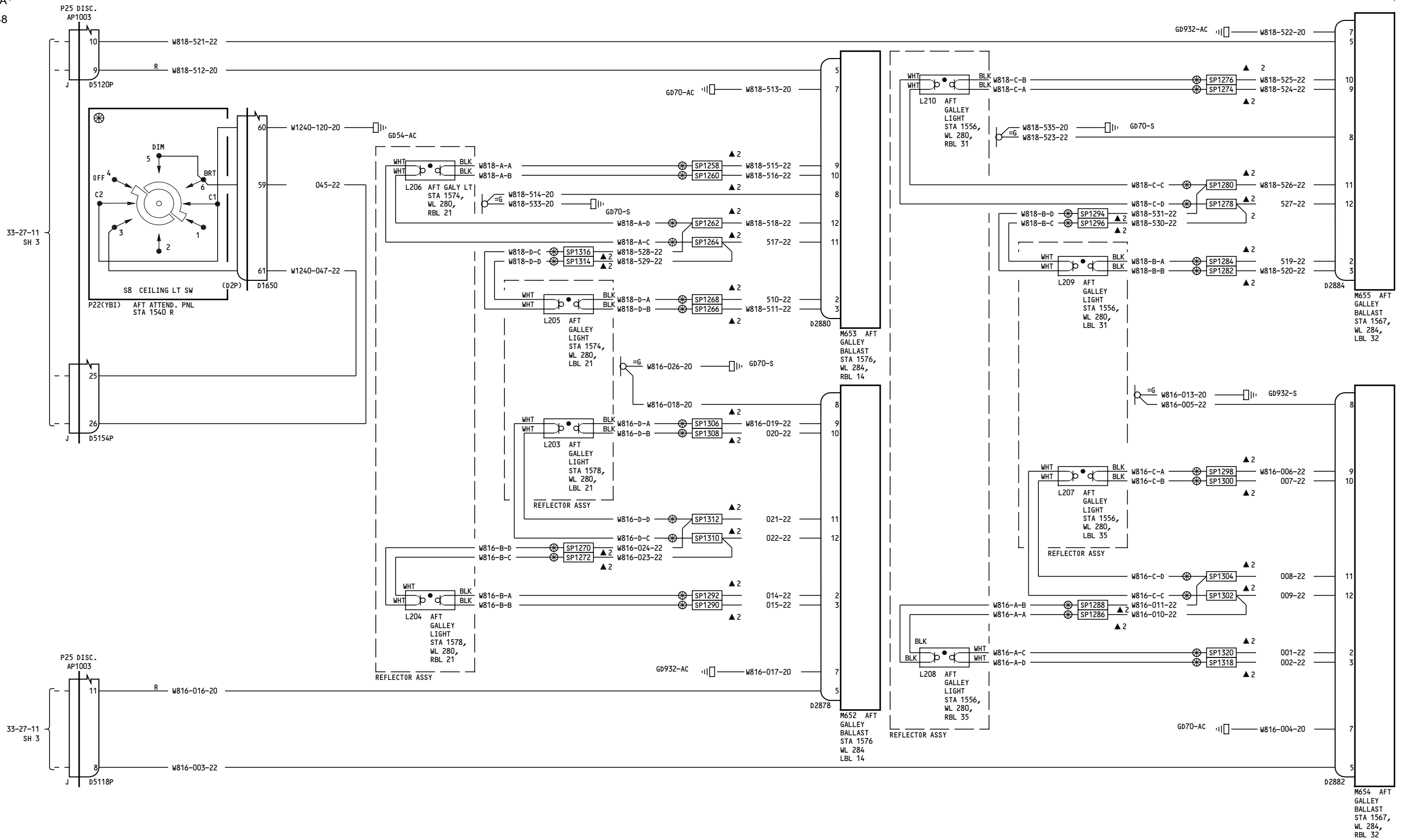
Page 1
Sheet 3
Jan 21/2005

D280T132

33-27-11

Page 1
Sheet 3
Jan 21/2005

-A
48



050-099

GALLEY LIGHTS

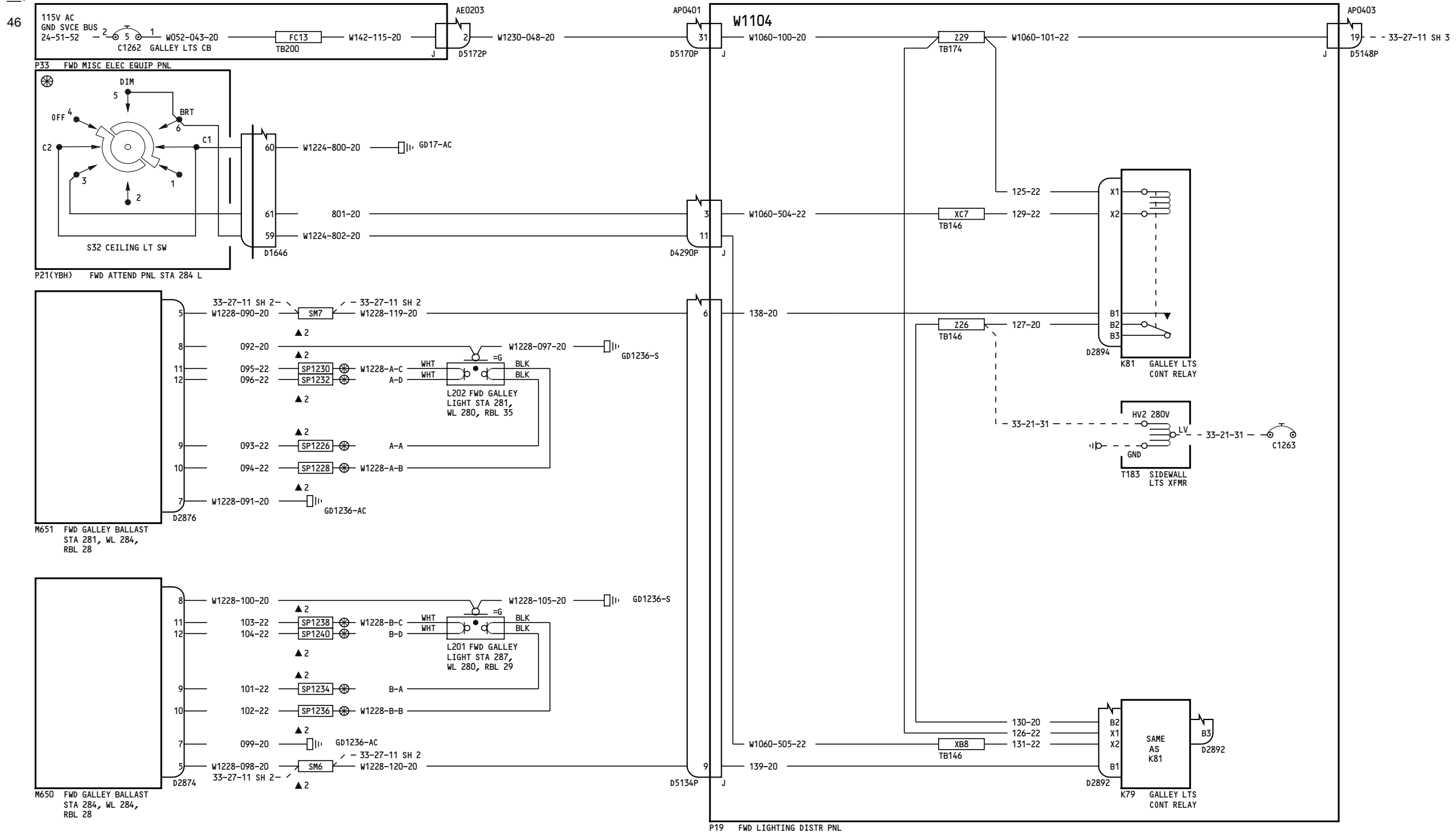
33-27-11

Page 1
Sheet 4
Jan 21/2005

D280T132

33-27-11

Page 1
Sheet 4
Jan 21/2005



150-154, 157

GALLEY LIGHTS

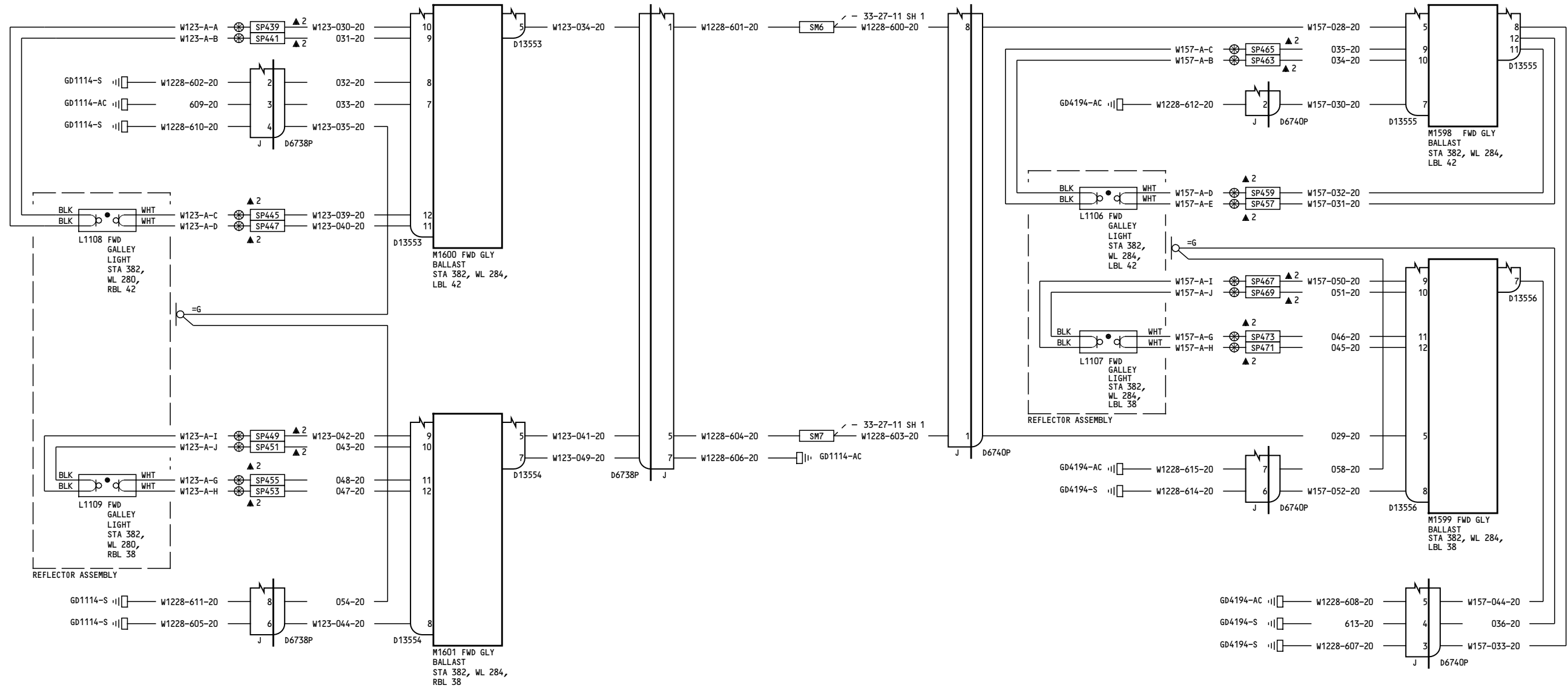
33-27-11

Page 2
Sheet 1
Jan 21/2005

D280T132

33-27-11

Page 2
Sheet 1
Jan 21/2005



150-154, 157

GALLEY LIGHTS

D280T132

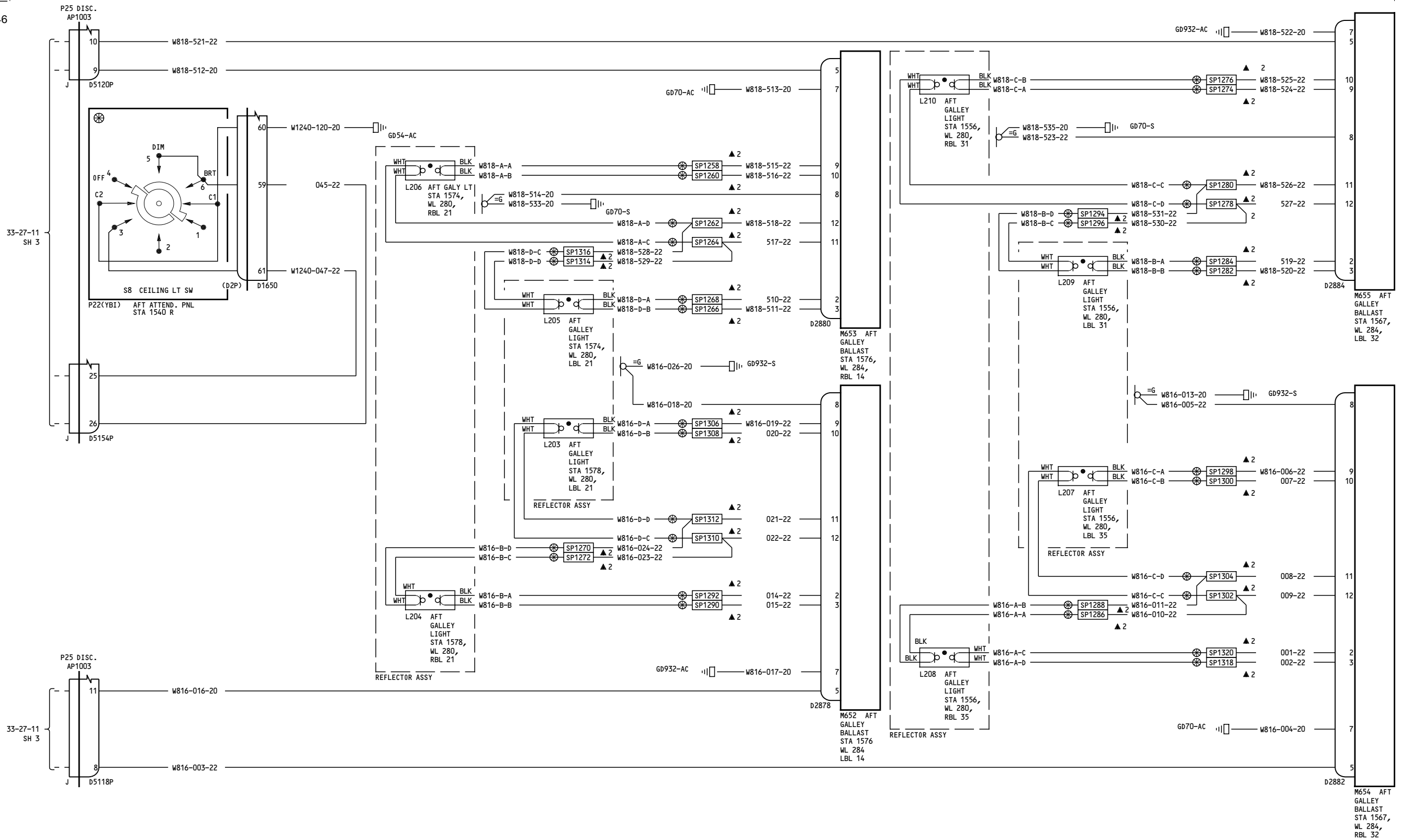
33-27-11

Page 2
Sheet 2
Jan 21/2005

33-27-11

Page 2
Sheet 2
Jan 21/2005

46



150-154, 157

GALLEY LIGHTS

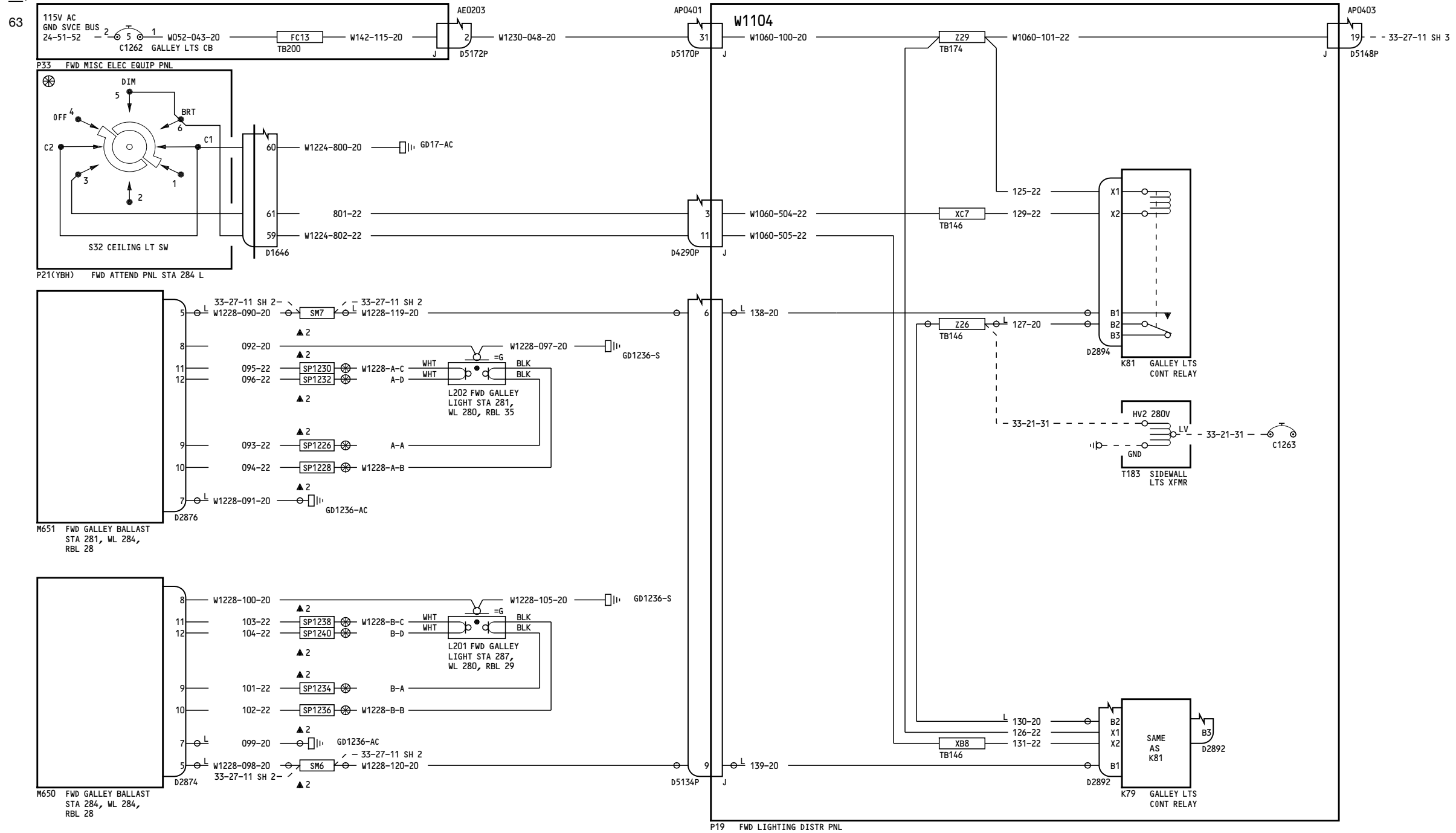
33-27-11

Page 2
Sheet 4
Jan 21/2005

D280T132

33-27-11

Page 2
Sheet 4
Jan 21/2005



155-156

GALLEY LIGHTS

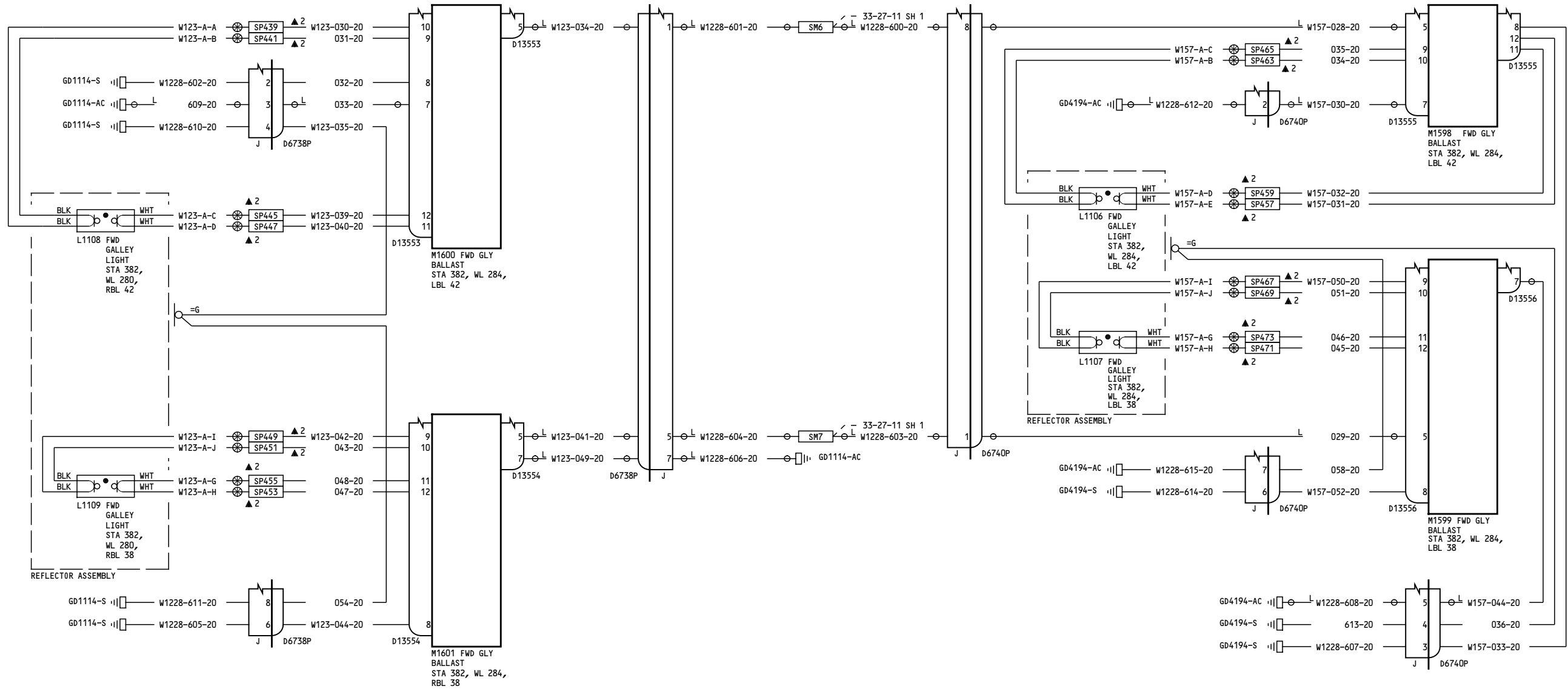
33-27-11

Page 3
Sheet 1
Jan 21/2005

D280T132

33-27-11

Page 3
Sheet 1
Jan 21/2005



155-156

GALLEY LIGHTS

D280T132

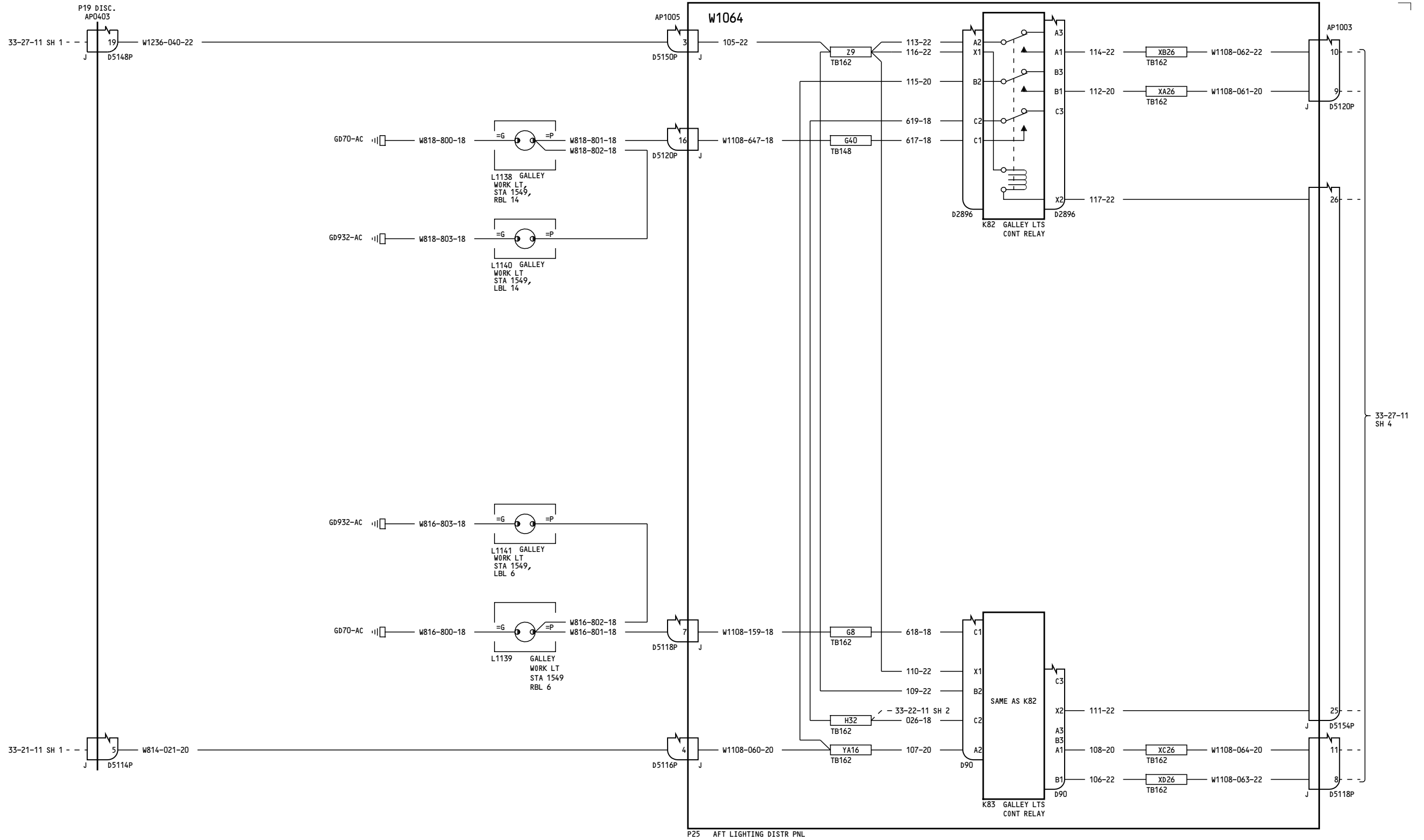
33-27-11

Page 3
Sheet 2
Jan 21/2005

33-27-11

Page 3
Sheet 2
Jan 21/2005

63



155-156

GALLEY LIGHTS

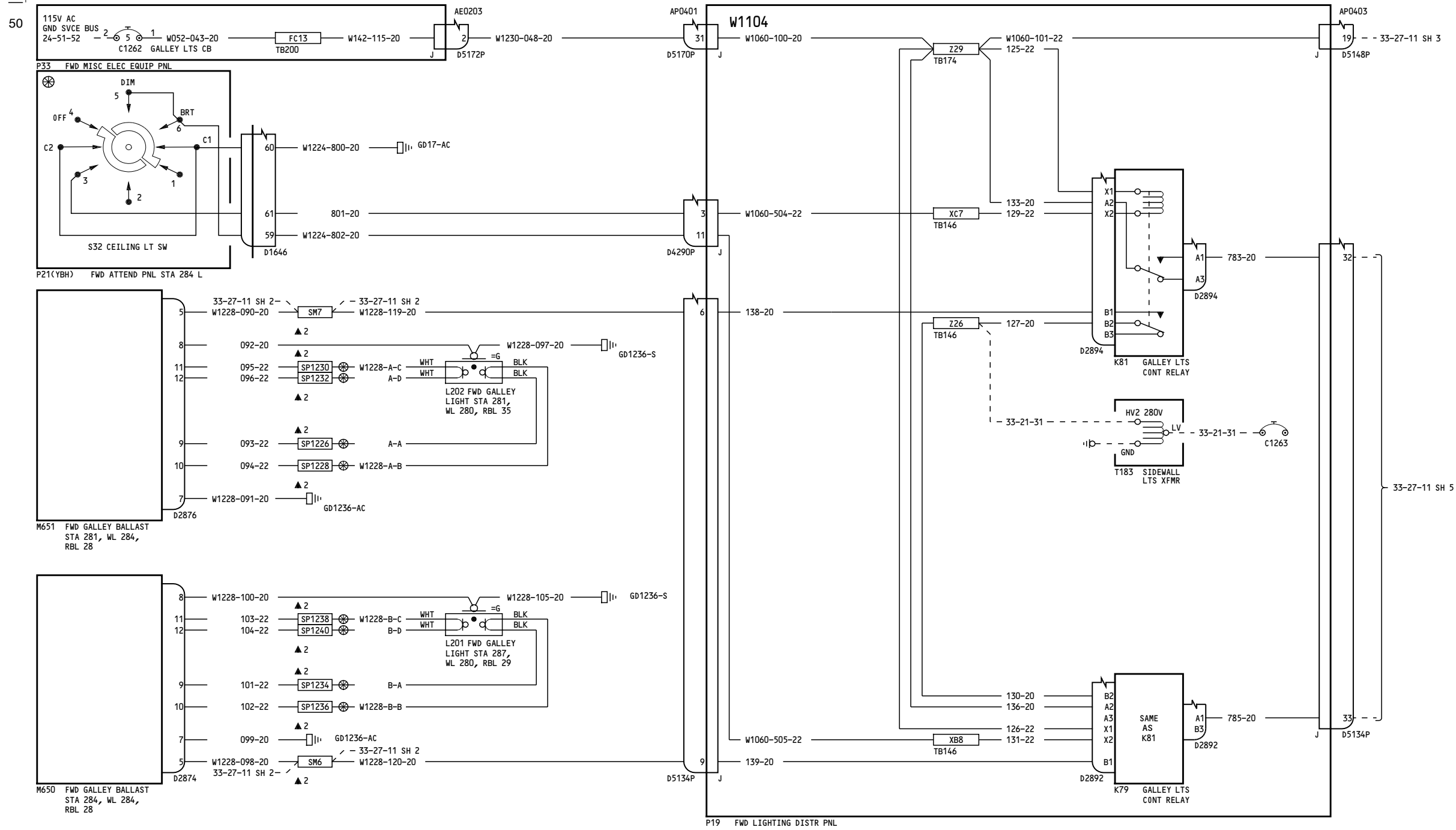
33-27-11

Page 3
Sheet 3
Jan 21/2005

D280T132

33-27-11

Page 3
Sheet 3
Jan 21/2005



162-165, 167-199

GALLEY LIGHTS

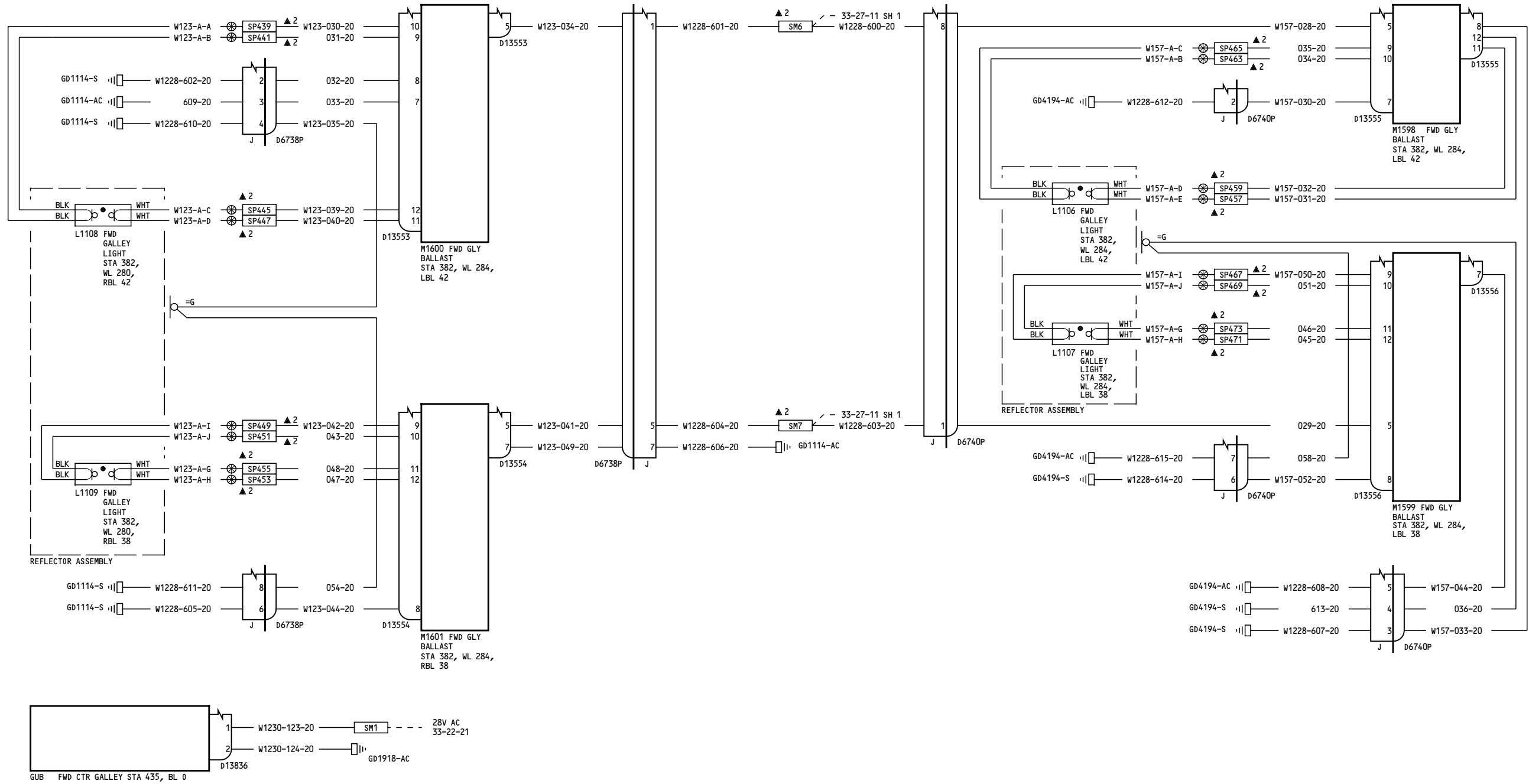
33-27-11

Page 4
Sheet 1
Jan 21/2005

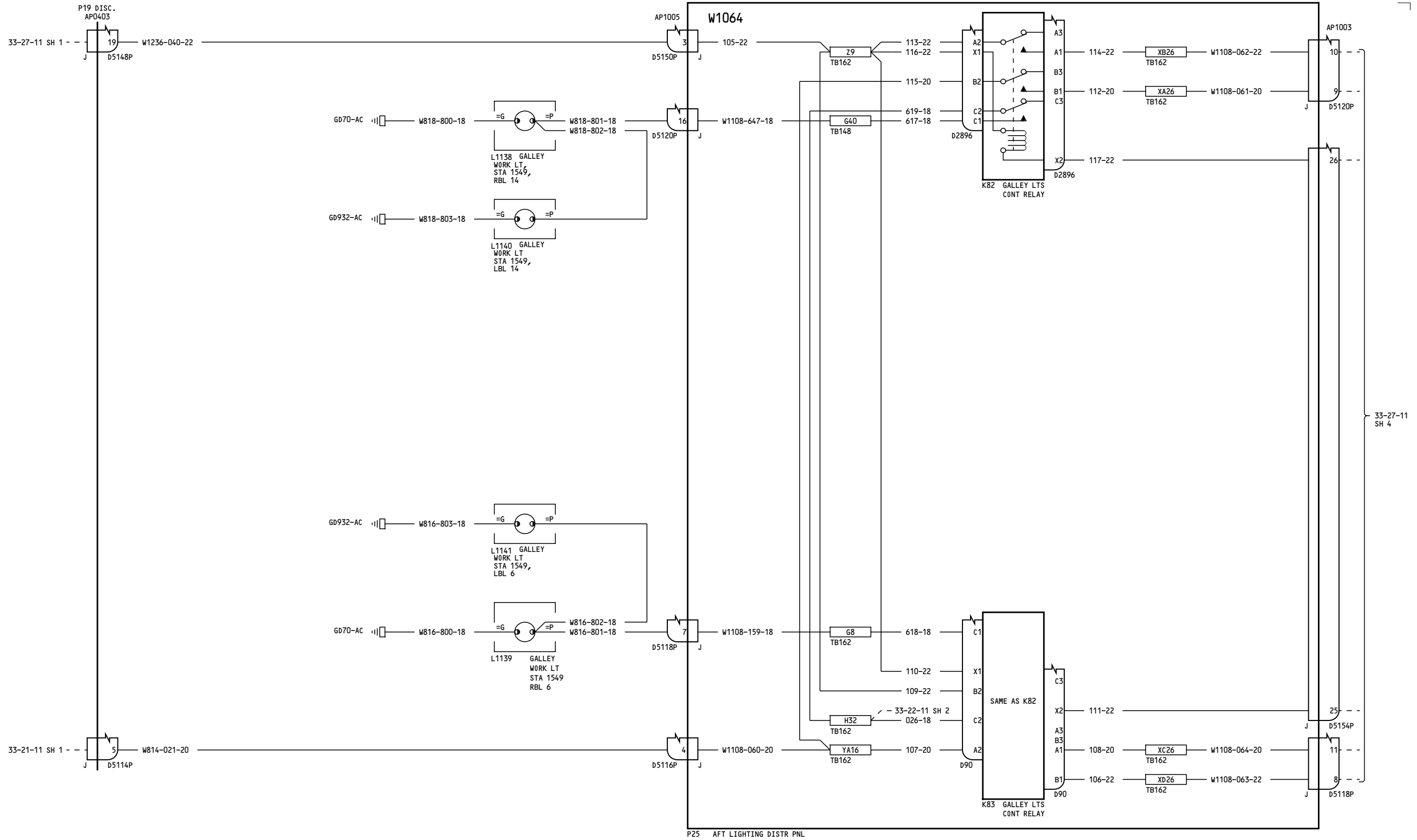
D280T132

33-27-11

Page 4
Sheet 1
Jan 21/2005



50



162-165, 167-199

GALLEY LIGHTS

33-27-11

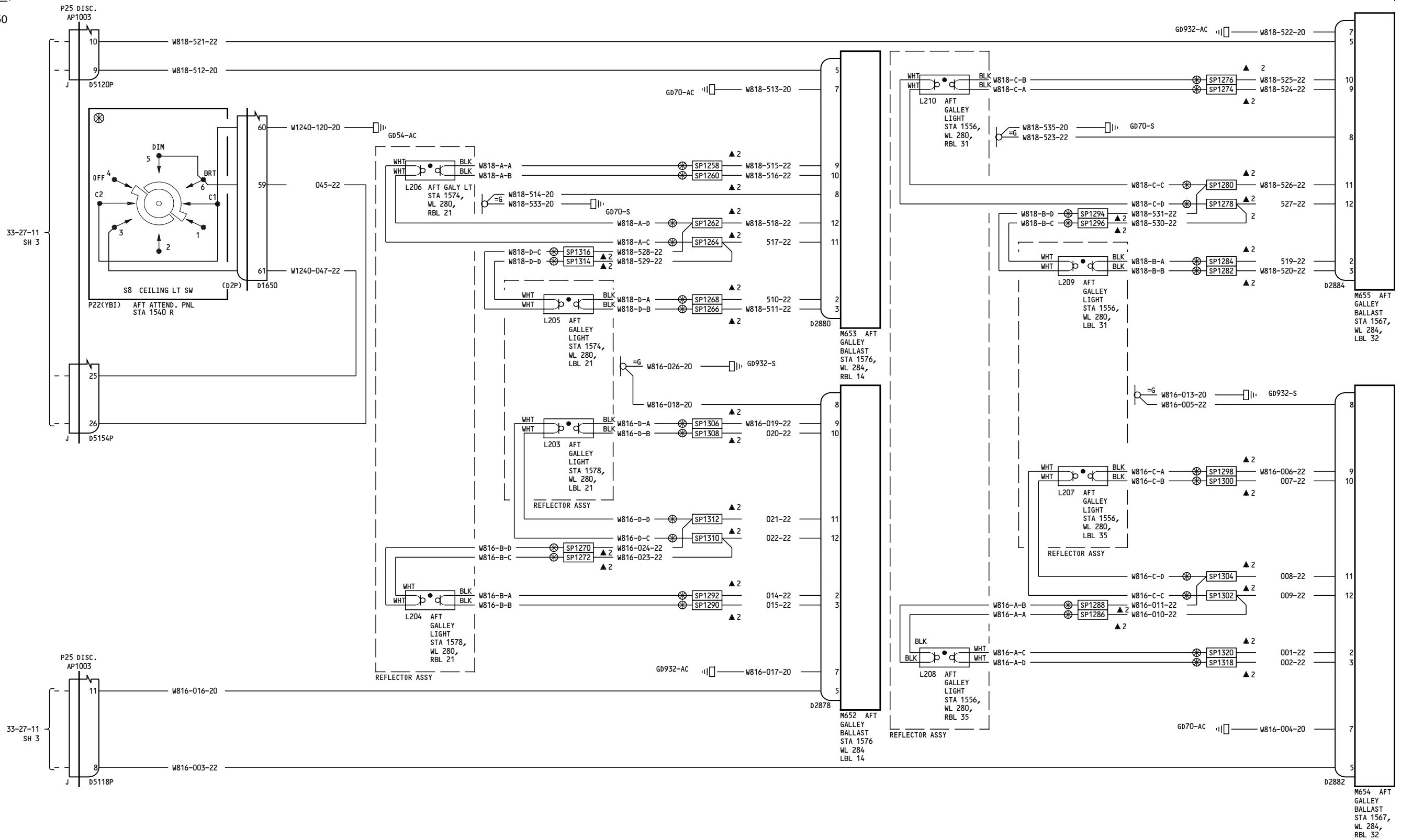
Page 4
Sheet 3
Jan 21/2005

D280T132

33-27-11

Page 4
Sheet 3
Jan 21/2005

50



162-165, 167-199

GALLEY LIGHTS

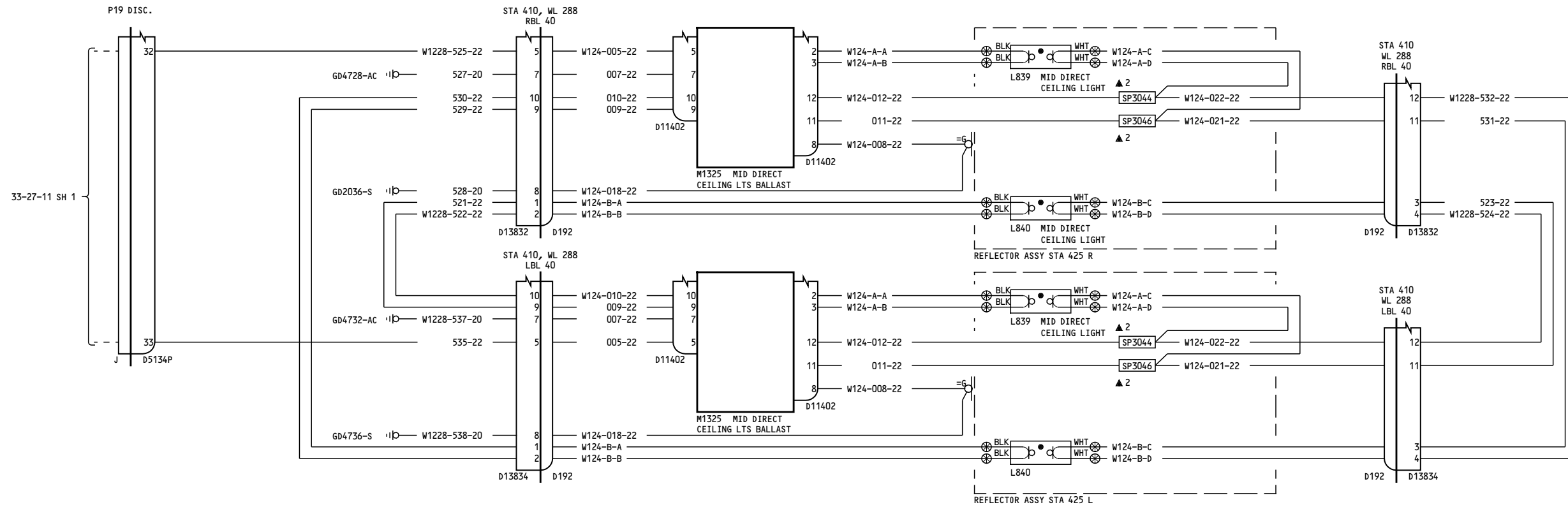
33-27-11

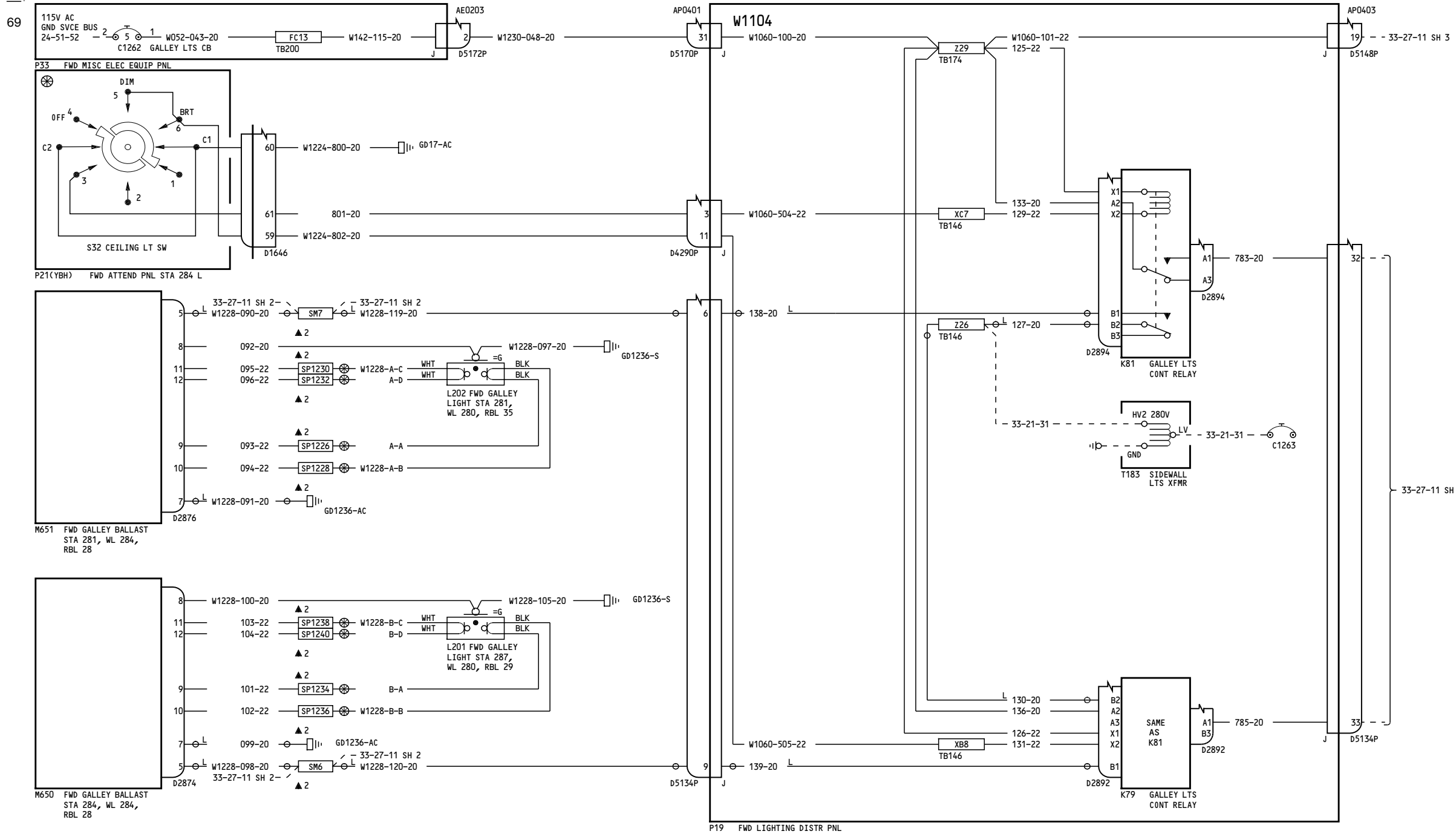
Page 4
Sheet 4
Jan 21/2005

D280T132

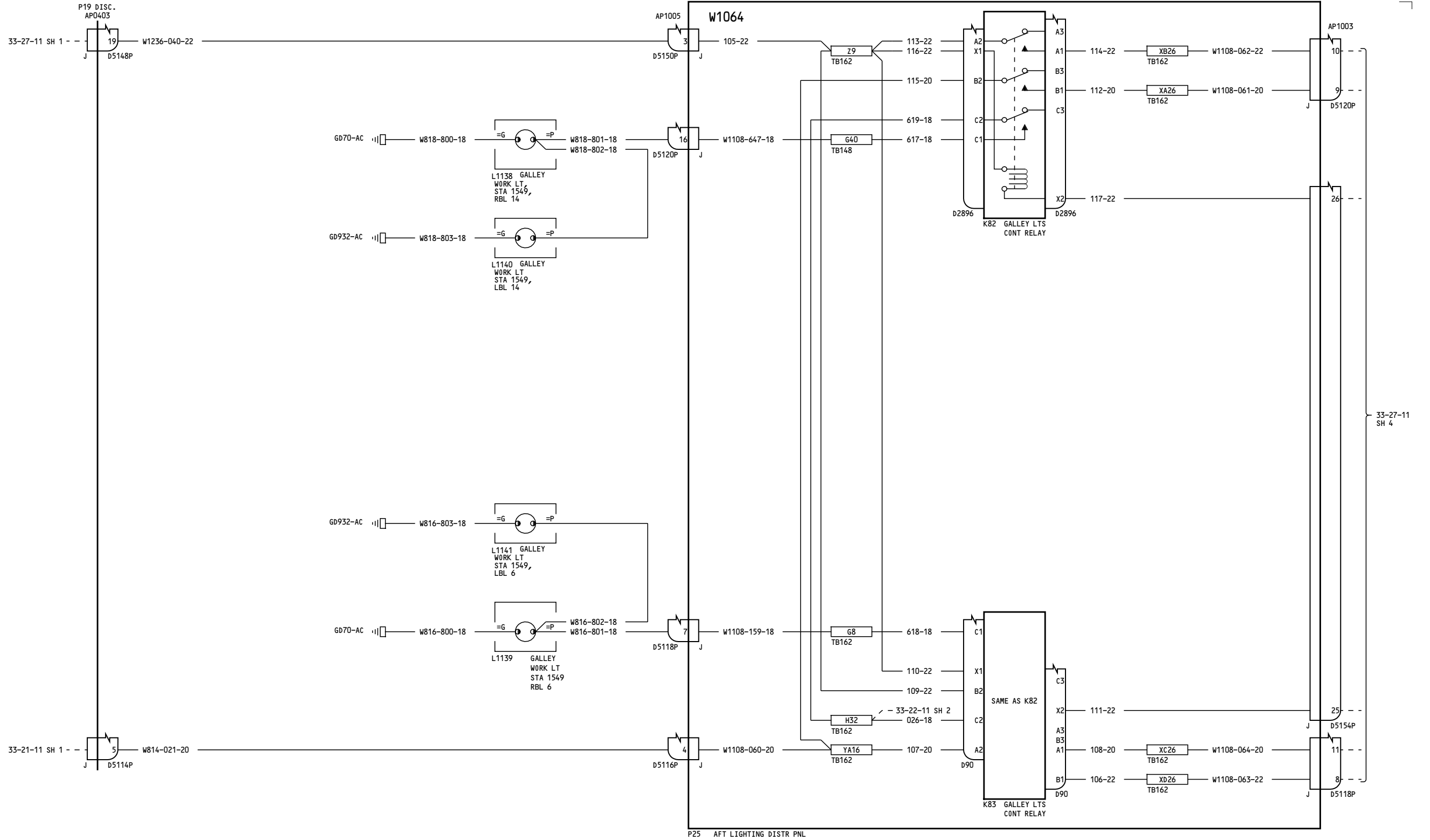
33-27-11

Page 4
Sheet 4
Jan 21/2005





69



166

GALLEY LIGHTS

33-27-11

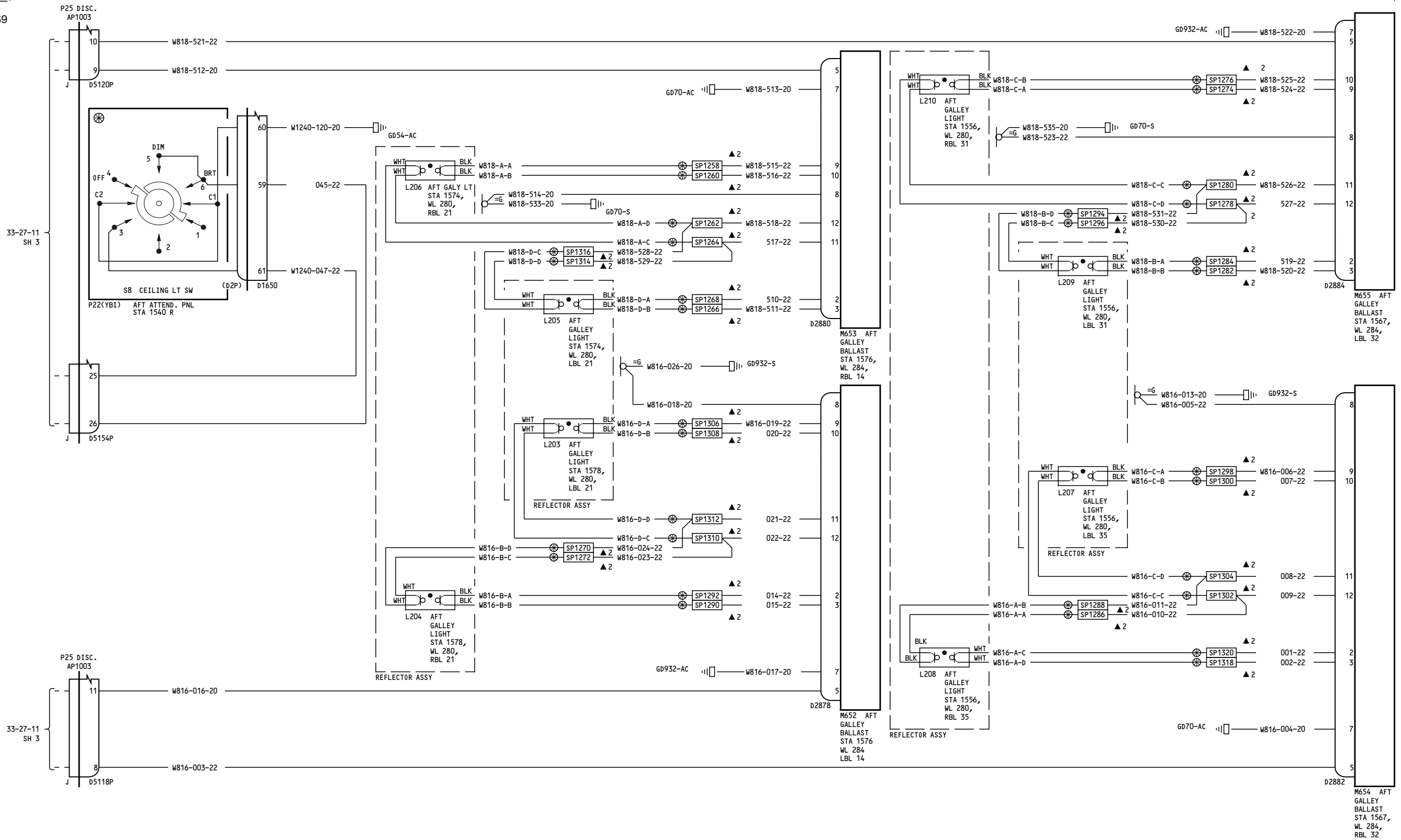
Page 5
Sheet 3
Jan 21/2005

D280T132

33-27-11

Page 5
Sheet 3
Jan 21/2005

69



166

GALLEY LIGHTS

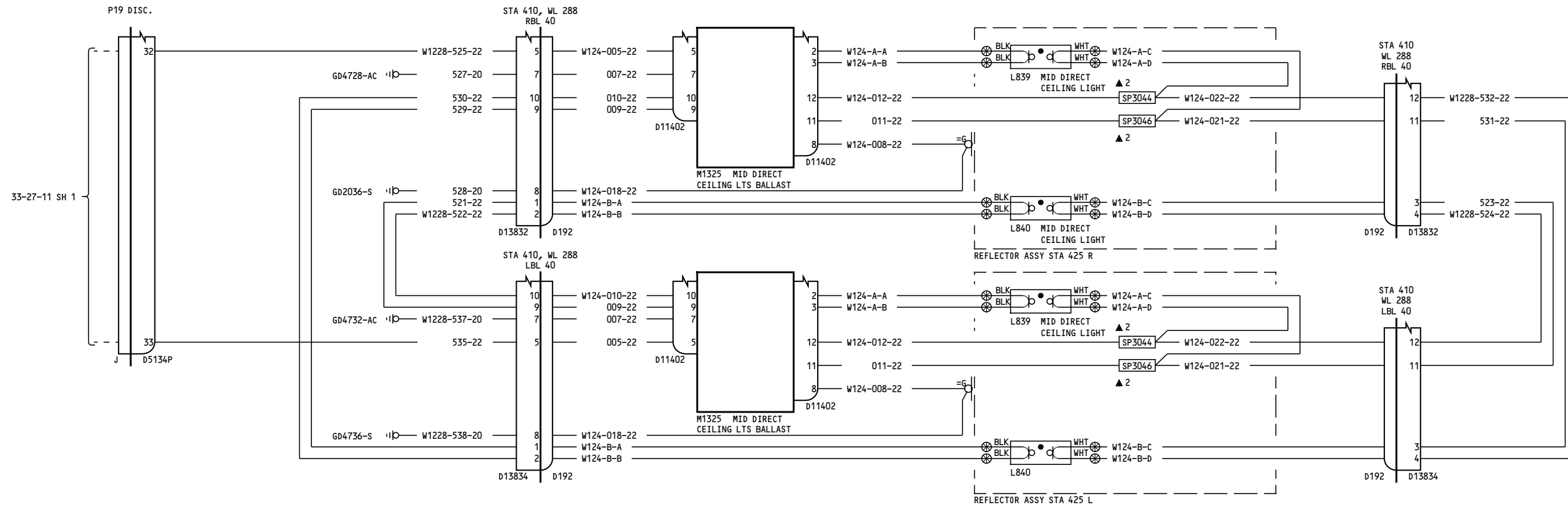
33-27-11

Page 5
Sheet 4
Jan 21/2005

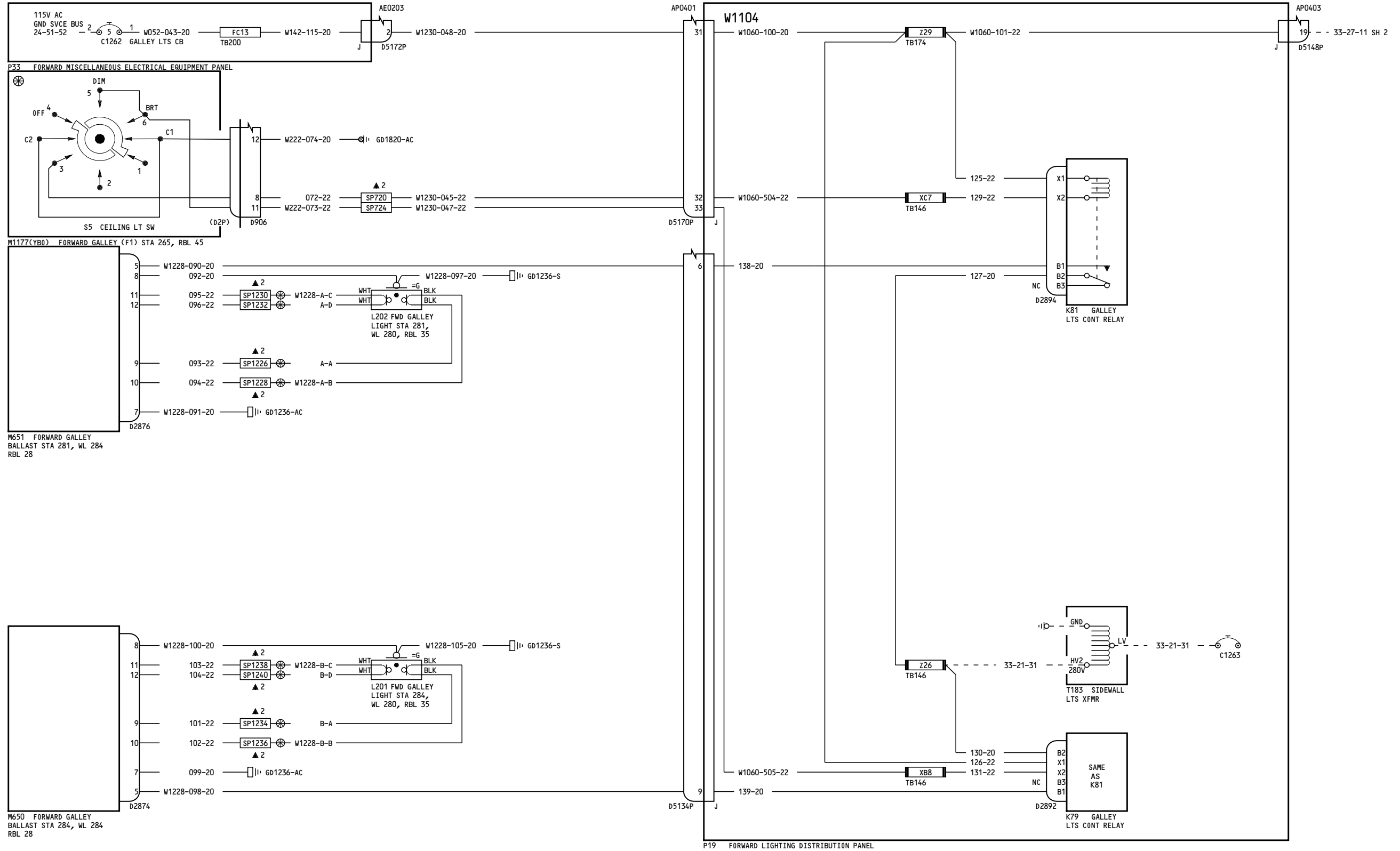
D280T132

33-27-11

Page 5
Sheet 4
Jan 21/2005



-B
47



275-278

GALLEY LIGHTS

33-27-11

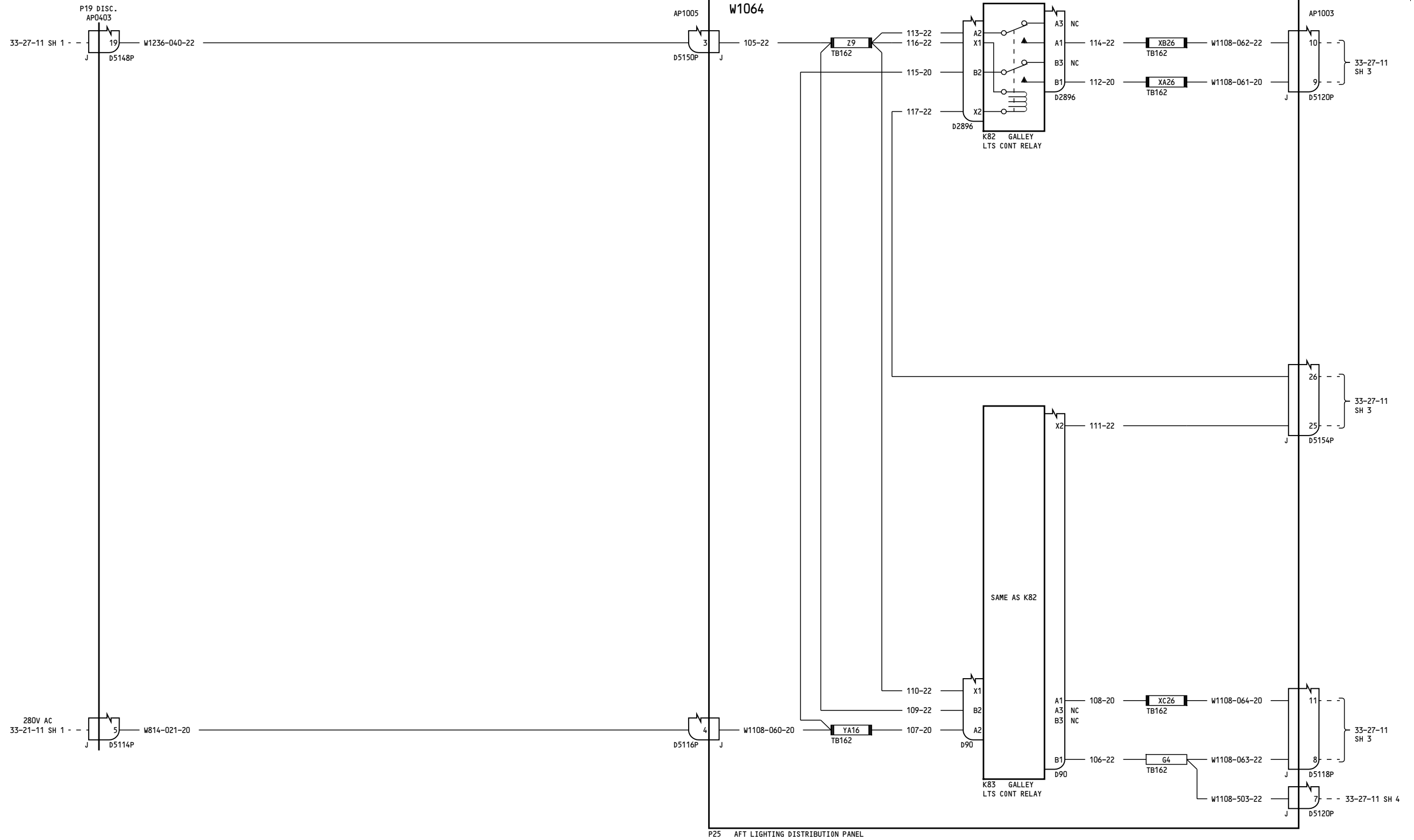
Page 6
Sheet 1
Jan 21/2005

D280T132

33-27-11

Page 6
Sheet 1
Jan 21/2005

-B
47



275-278

GALLEY LIGHTS

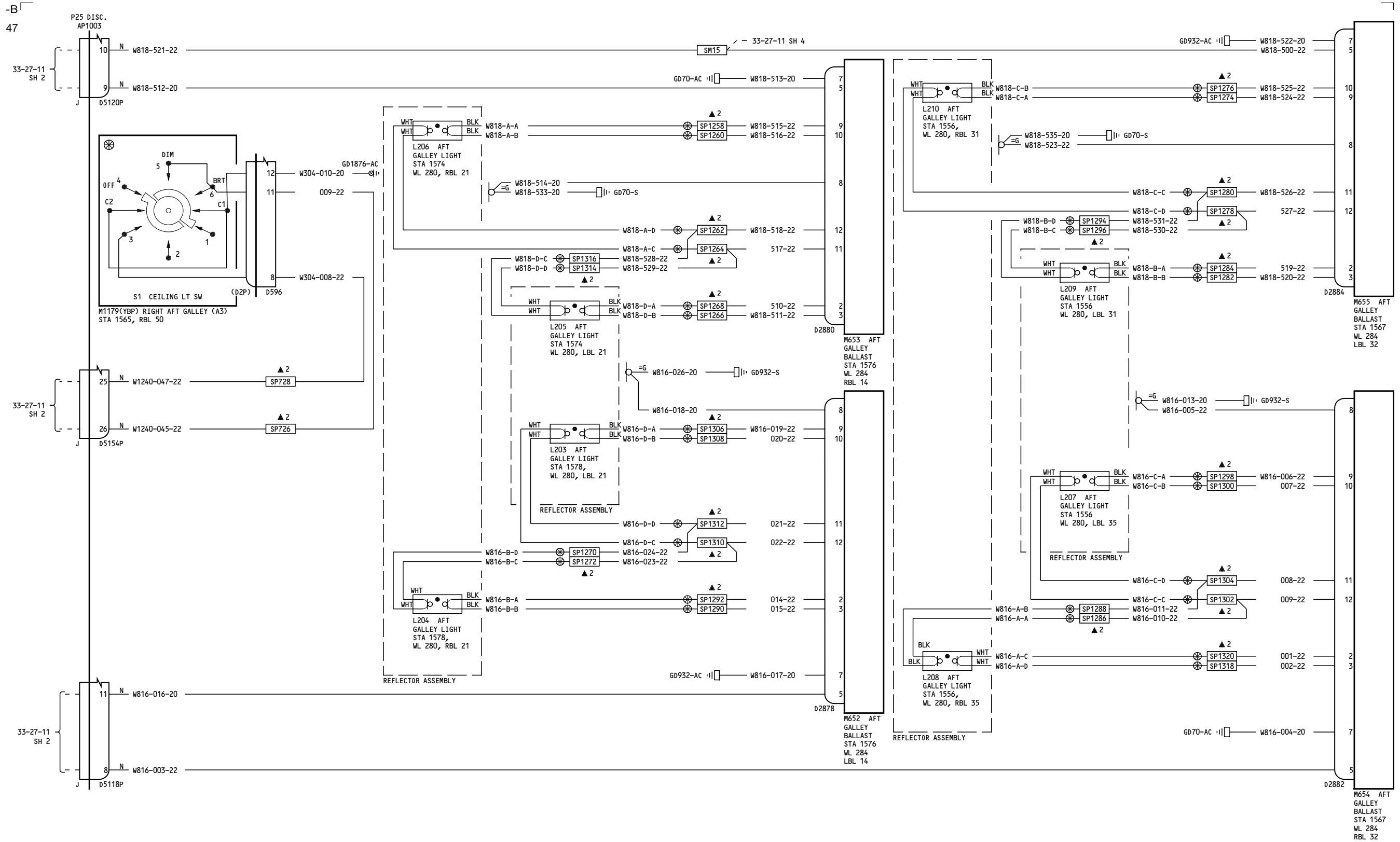
33-27-11

Page 6
Sheet 2
Jan 21/2005

D280T132

33-27-11

Page 6
Sheet 2
Jan 21/2005



275-278

GALLEY LIGHTS

33-27-11

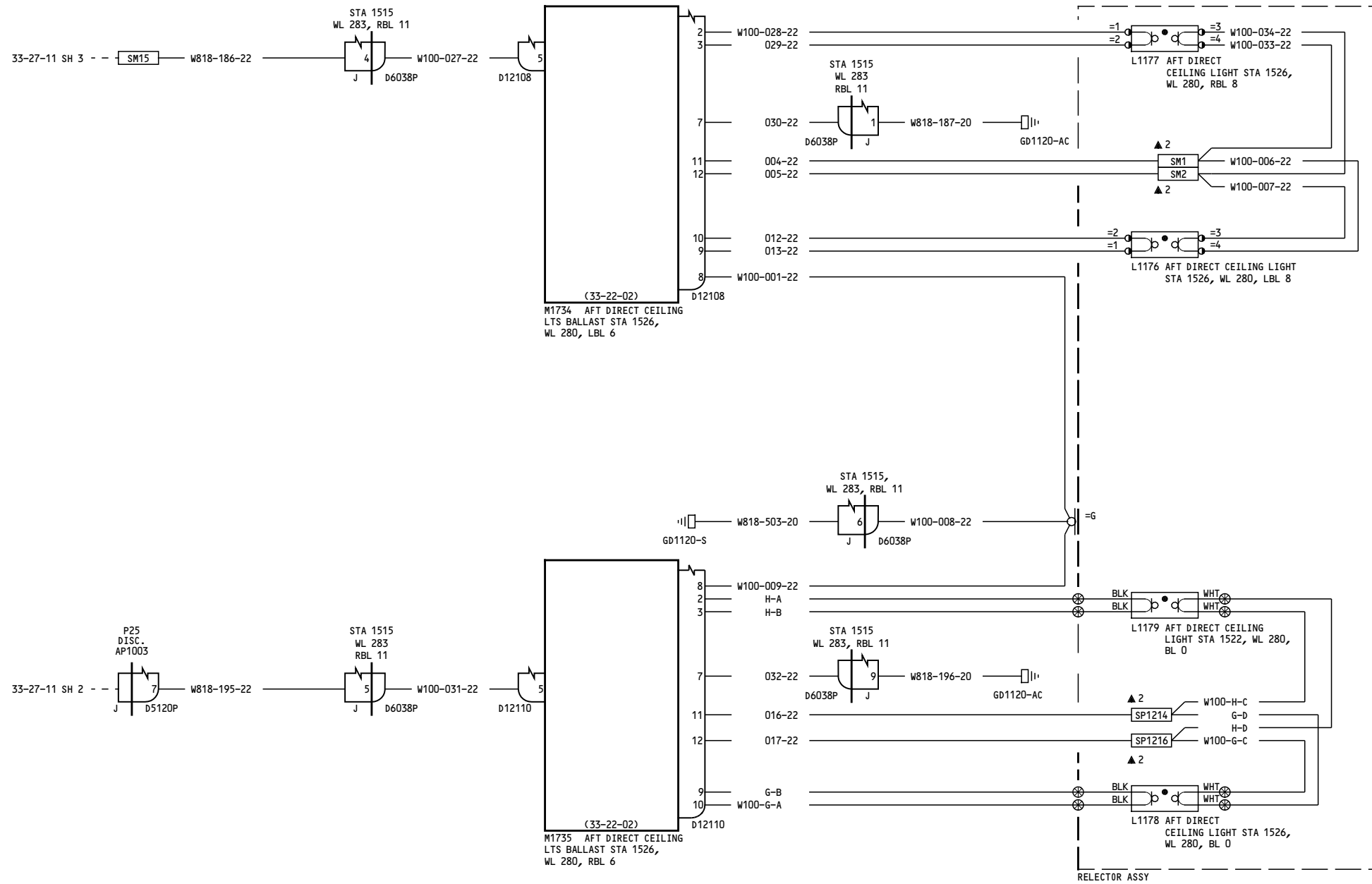
Page 6
Sheet 3
Jan 21/2005

D280T132

33-27-11

Page 6
Sheet 3
Jan 21/2005

-A
47



275-278

GALLEY LIGHTS

33-27-11

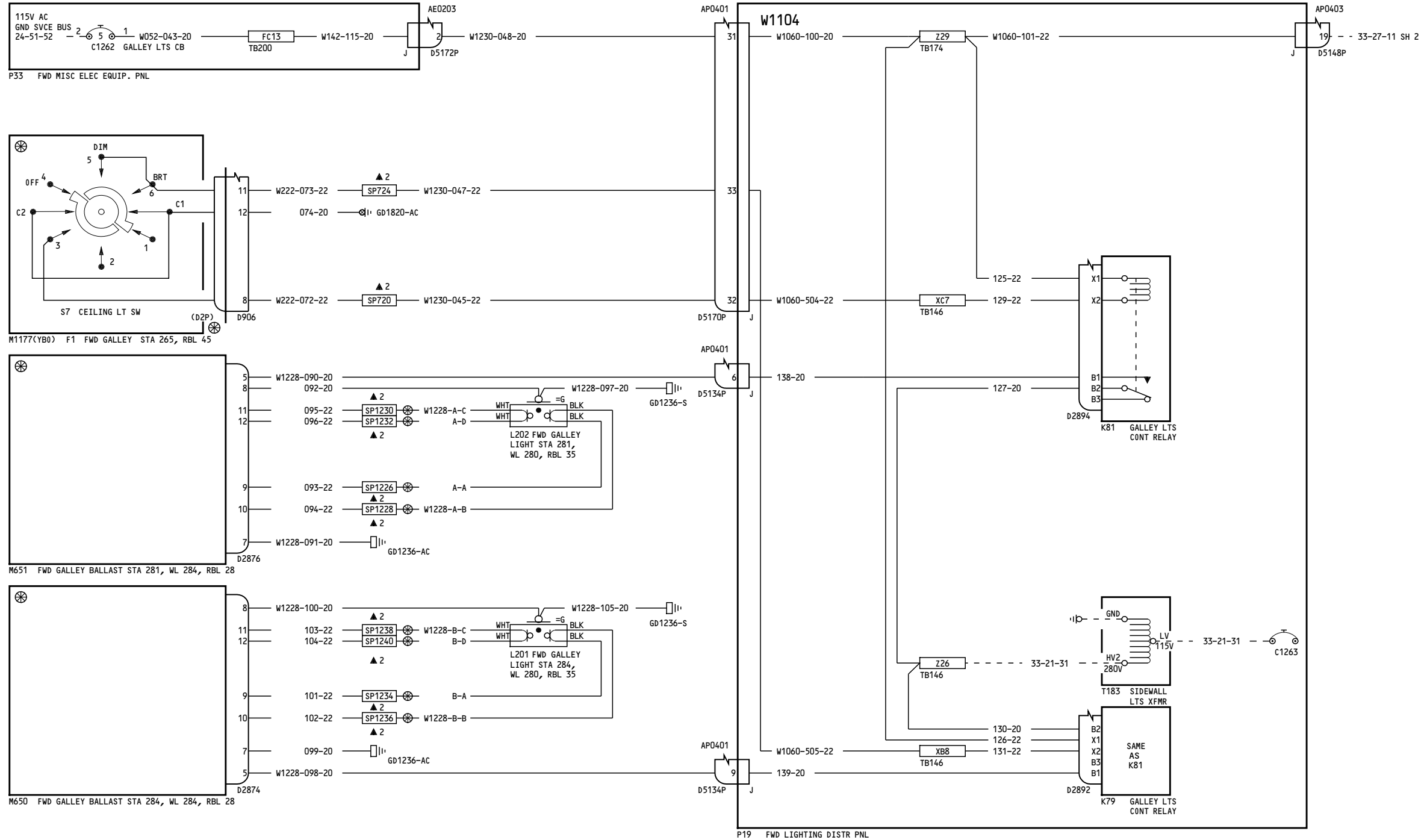
Page 6
Sheet 4
Jan 21/2005

D280T132

33-27-11

Page 6
Sheet 4
Jan 21/2005

71



280-299

GALLEY LIGHTS

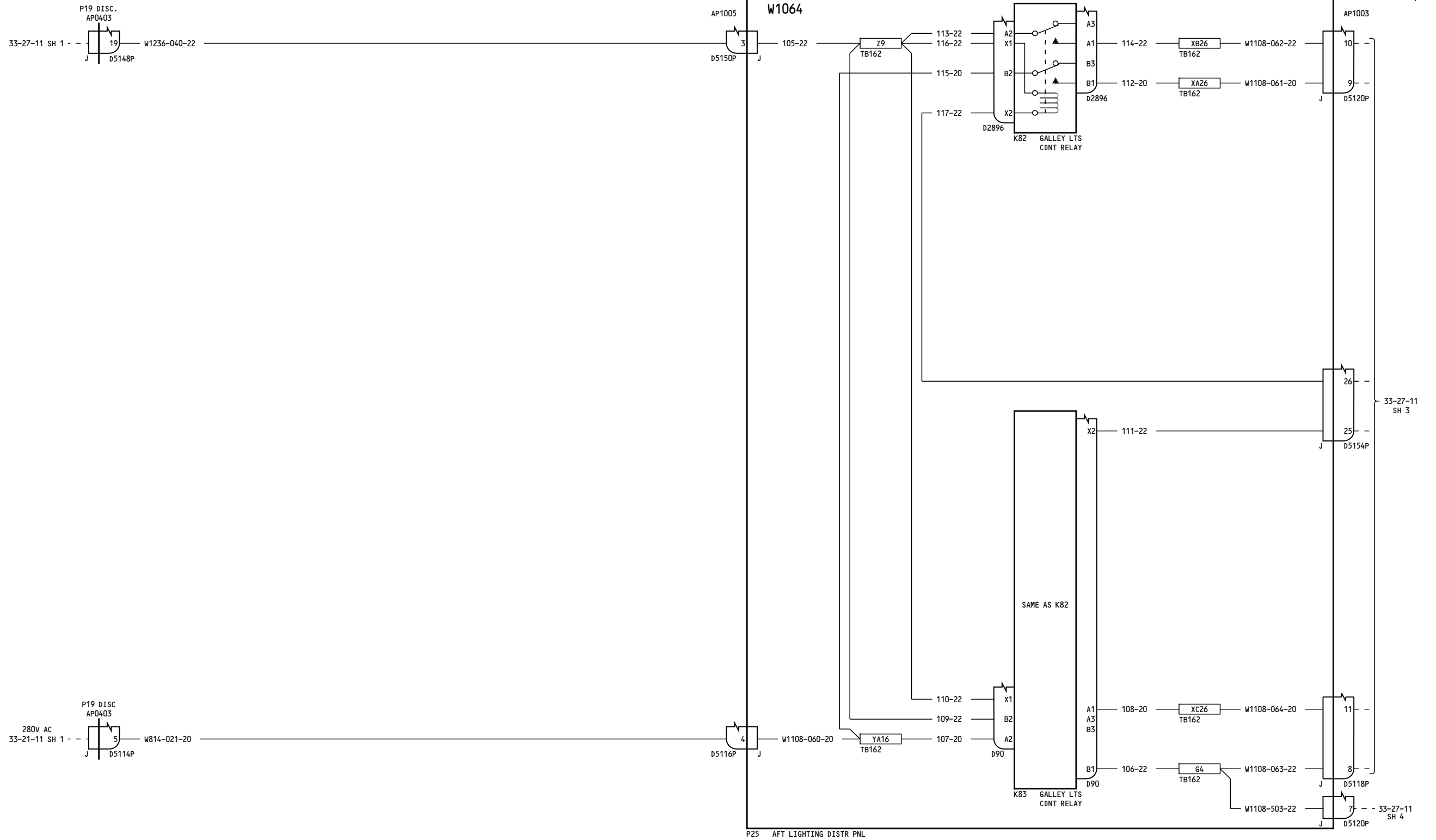
33-27-11

Page 7
Sheet 1
Jan 21/2005

D280T132

33-27-11

Page 7
Sheet 1
Jan 21/2005



280-299

GALLEY LIGHTS

33-27-11

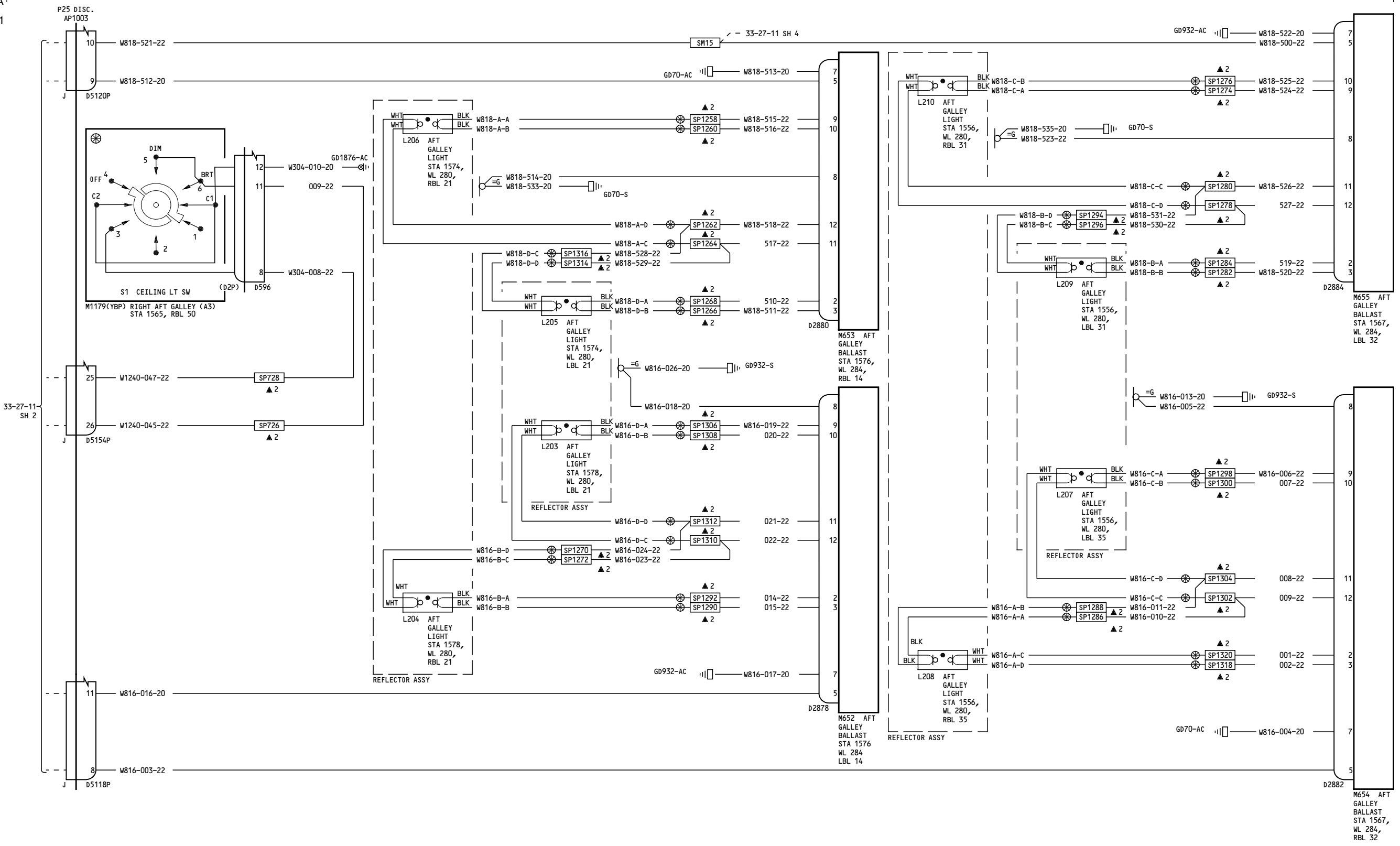
Page 7
Sheet 2
Jan 21/2005

D280T132

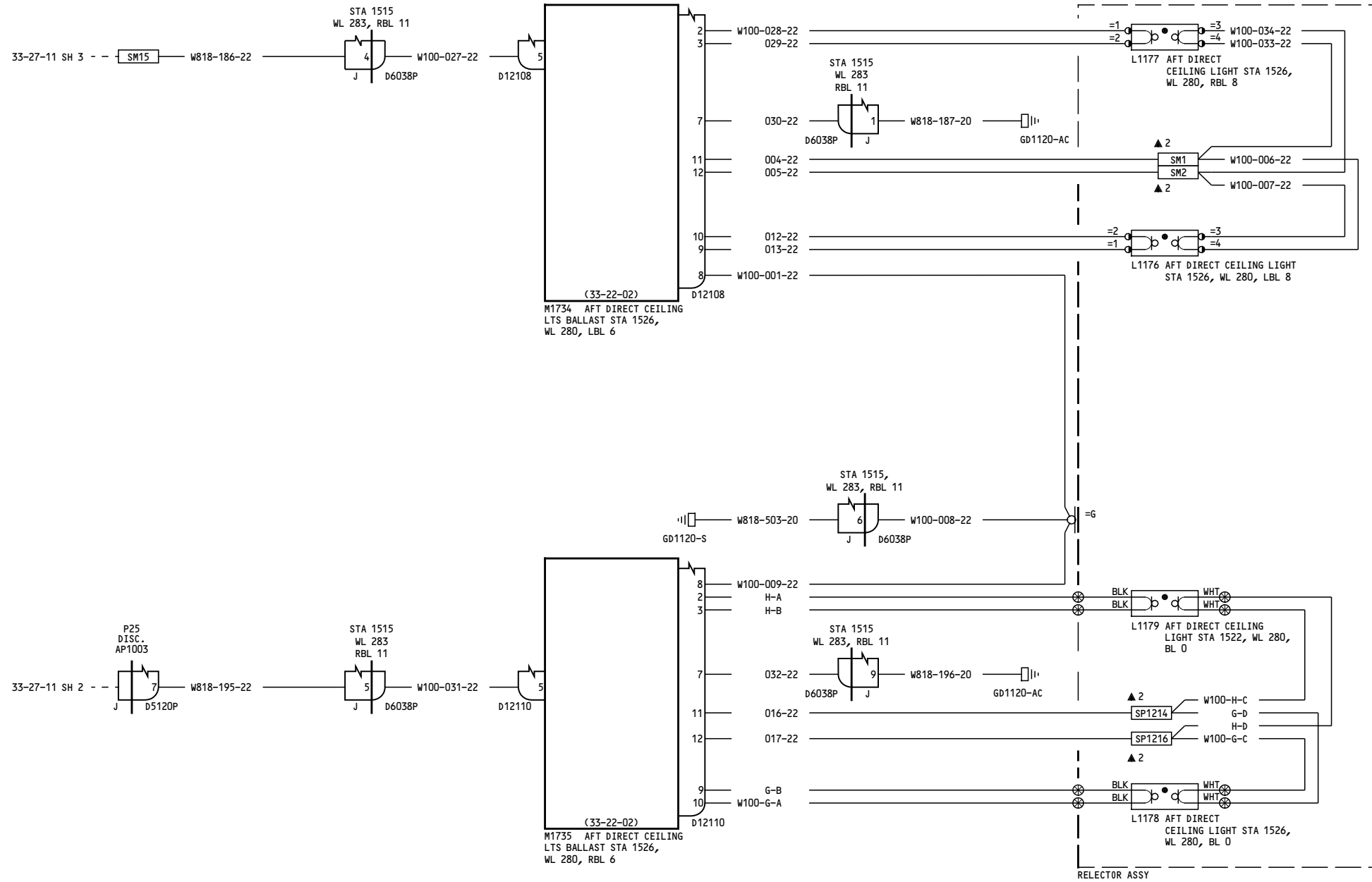
33-27-11

Page 7
Sheet 2
Jan 21/2005

-A
71



BOEING PROPRIETARY - Copyright © - Unpublished Work - See title page for details.



280-299

GALLEY LIGHTS

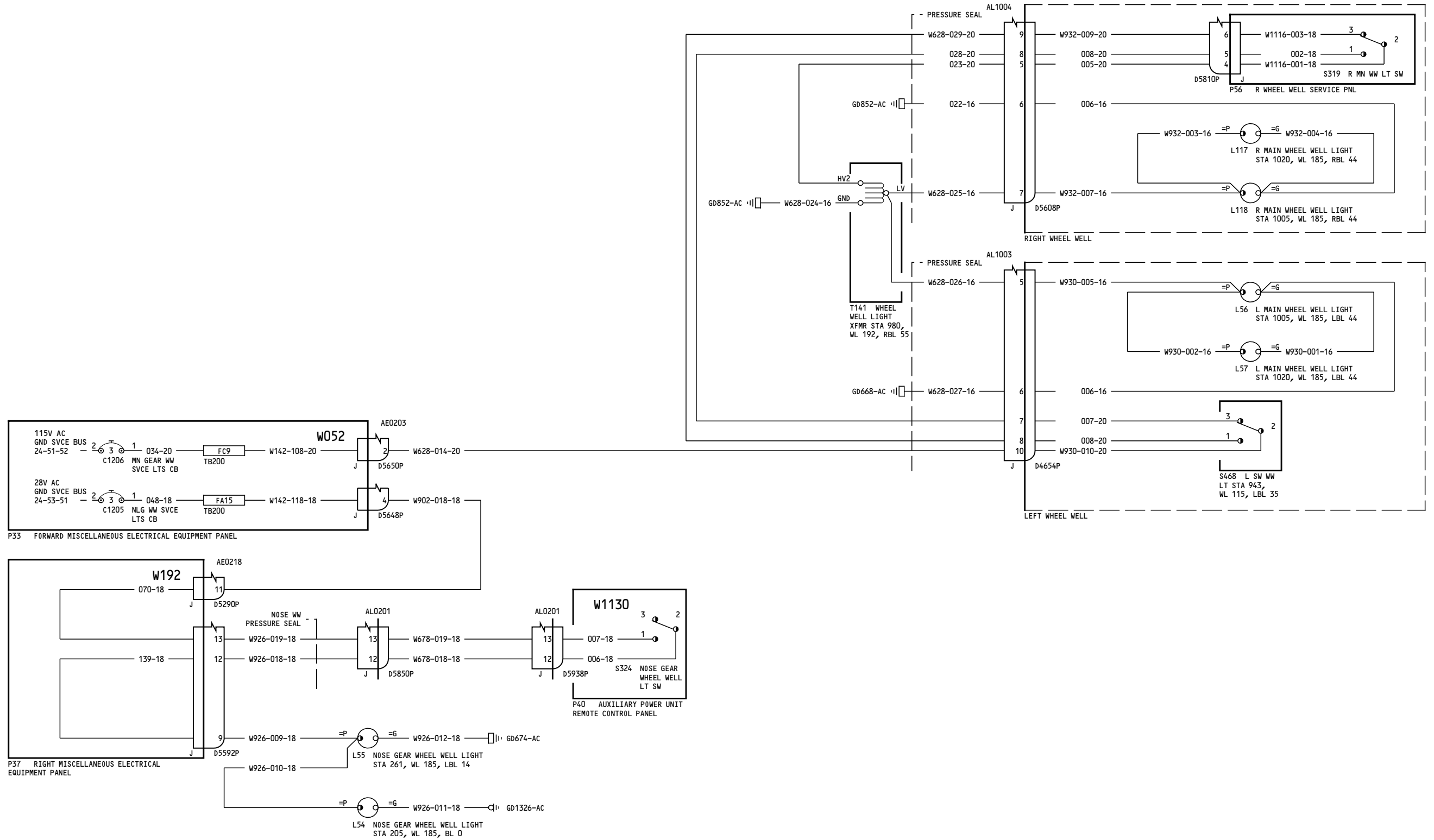
33-27-11

Page 7
Sheet 4
Jan 21/2005

D280T132

33-27-11

Page 7
Sheet 4
Jan 21/2005



050-099, 155-199, 277-299

WHEEL WELL LIGHTS

33-31-11

Page 1

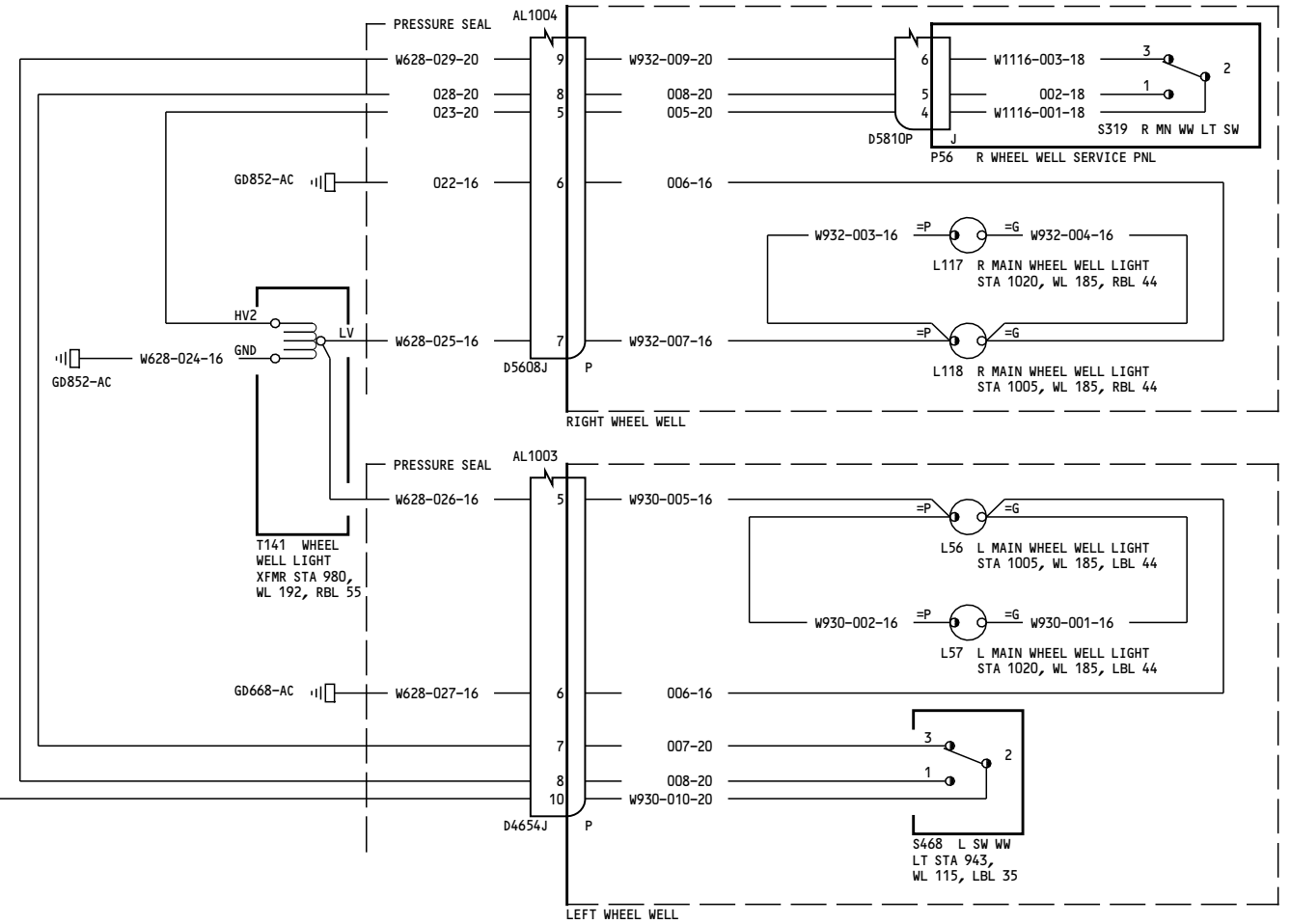
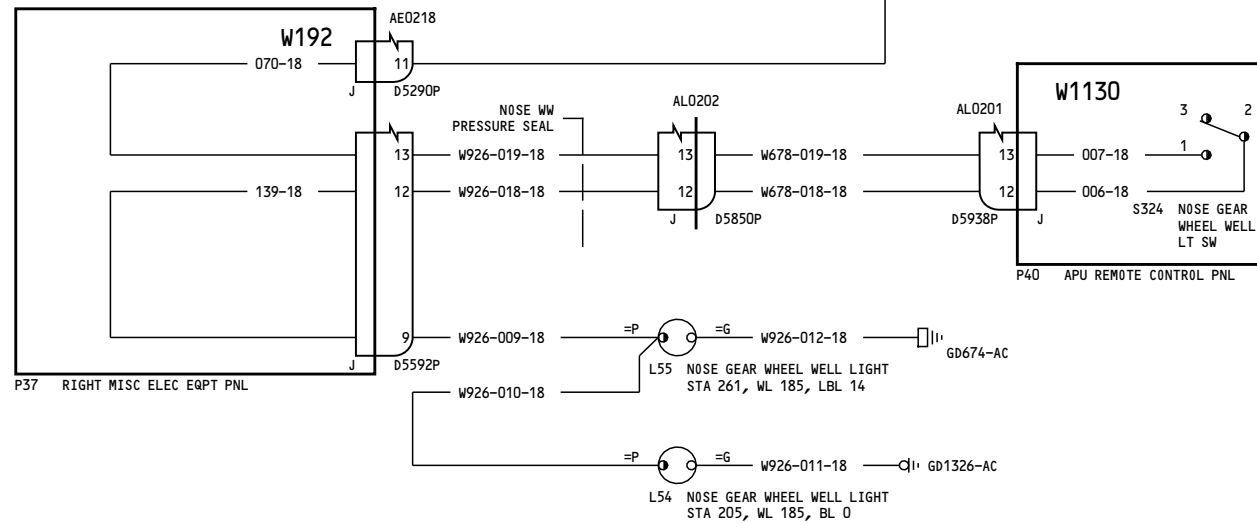
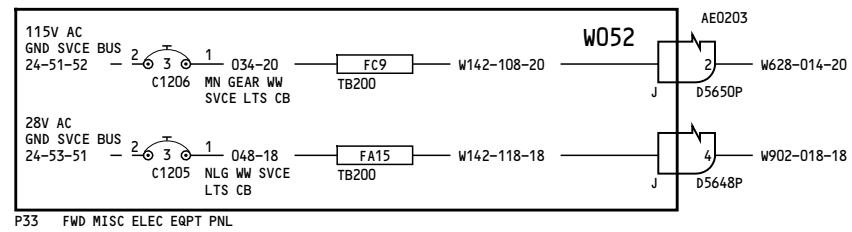
D280T132

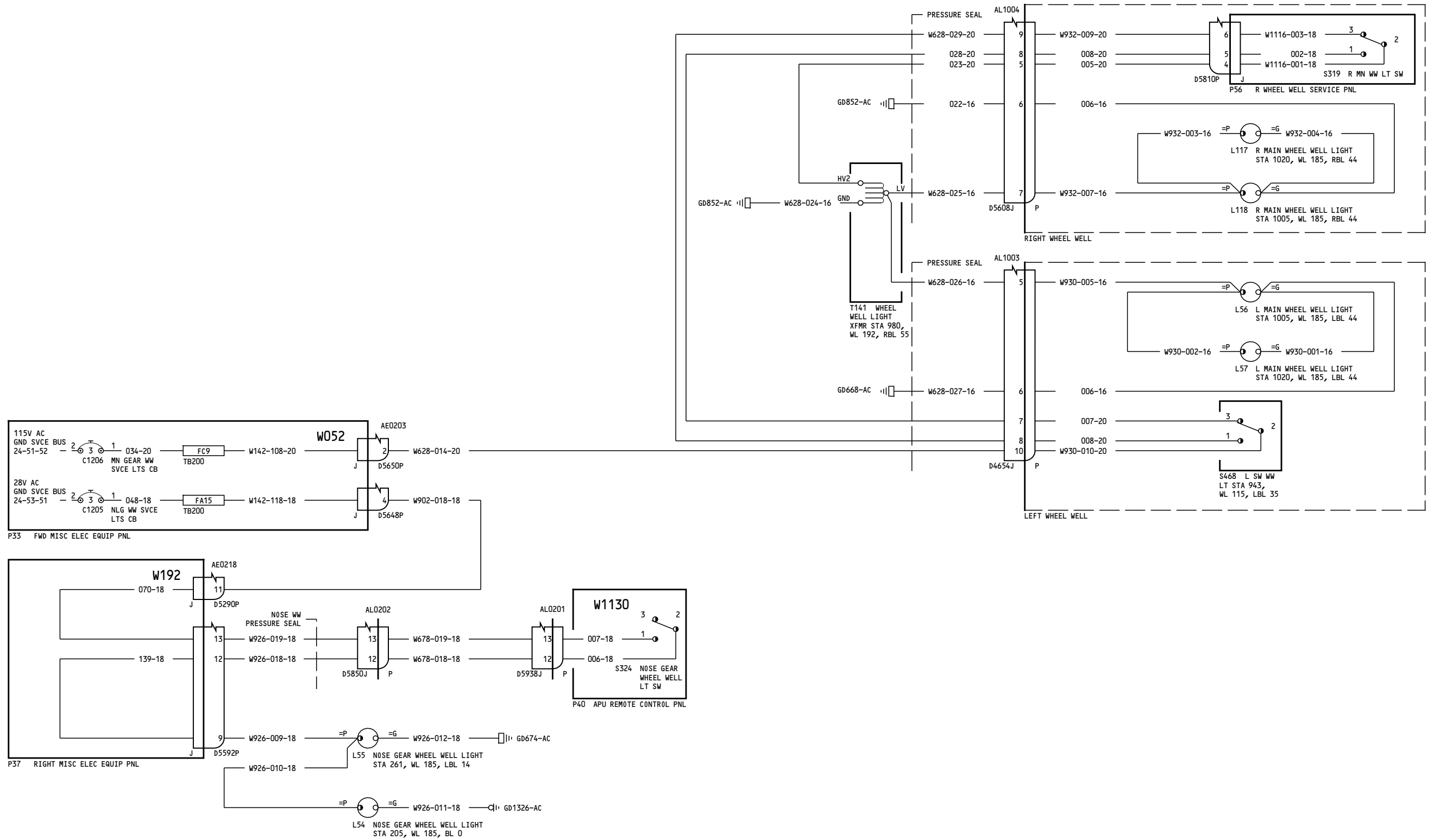
Jan 21/2005

33-31-11

Page 1

Jan 21/2005





275-276

WHEEL WELL LIGHTS

33-31-11

Page 3.1

D280T132

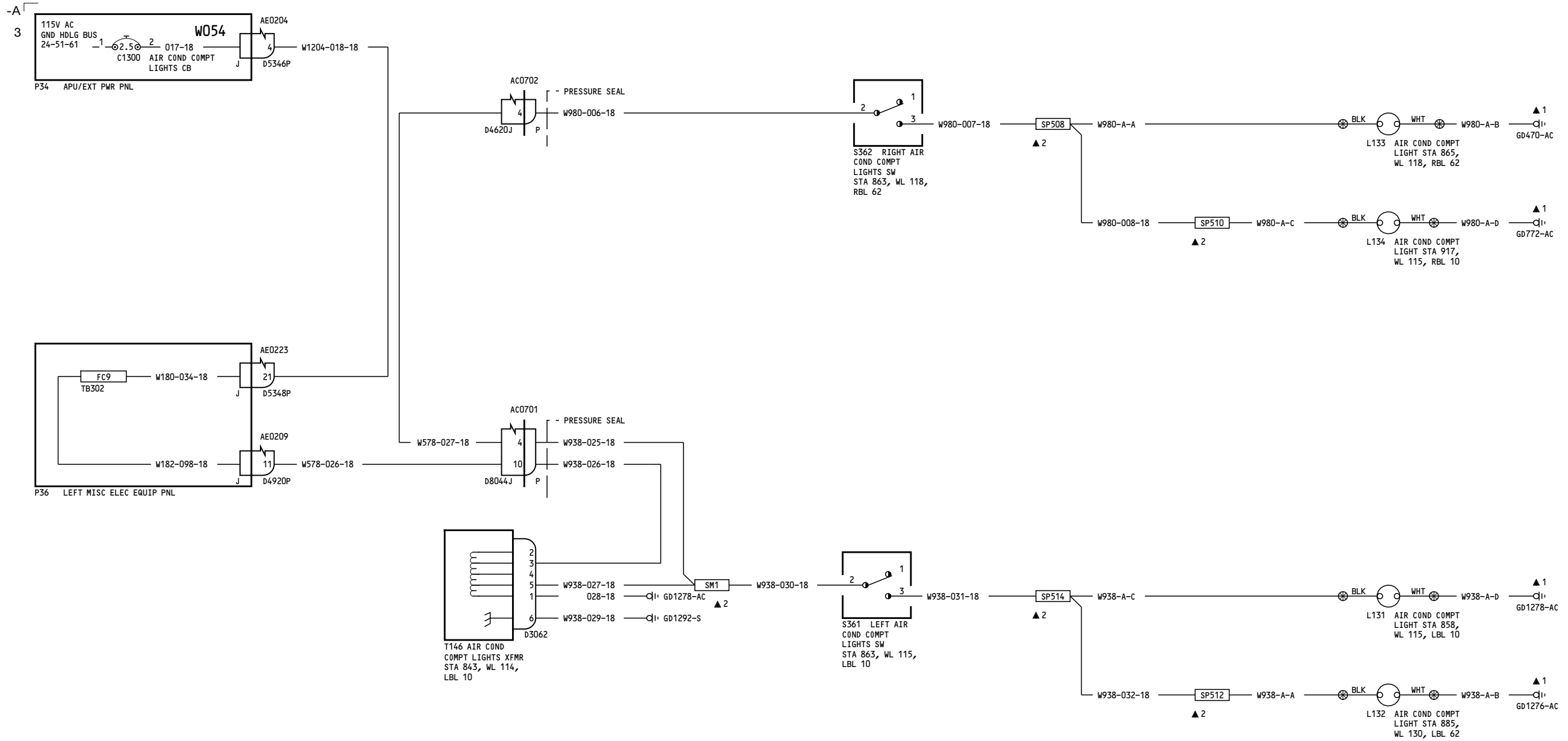
Jan 21/2005

Incorporates
32-0085

33-31-11

Page 3.1

Jan 21/2005



ALL

**AIR CONDITIONING
COMPARTMENT LIGHTS**

33-31-21

Page 1

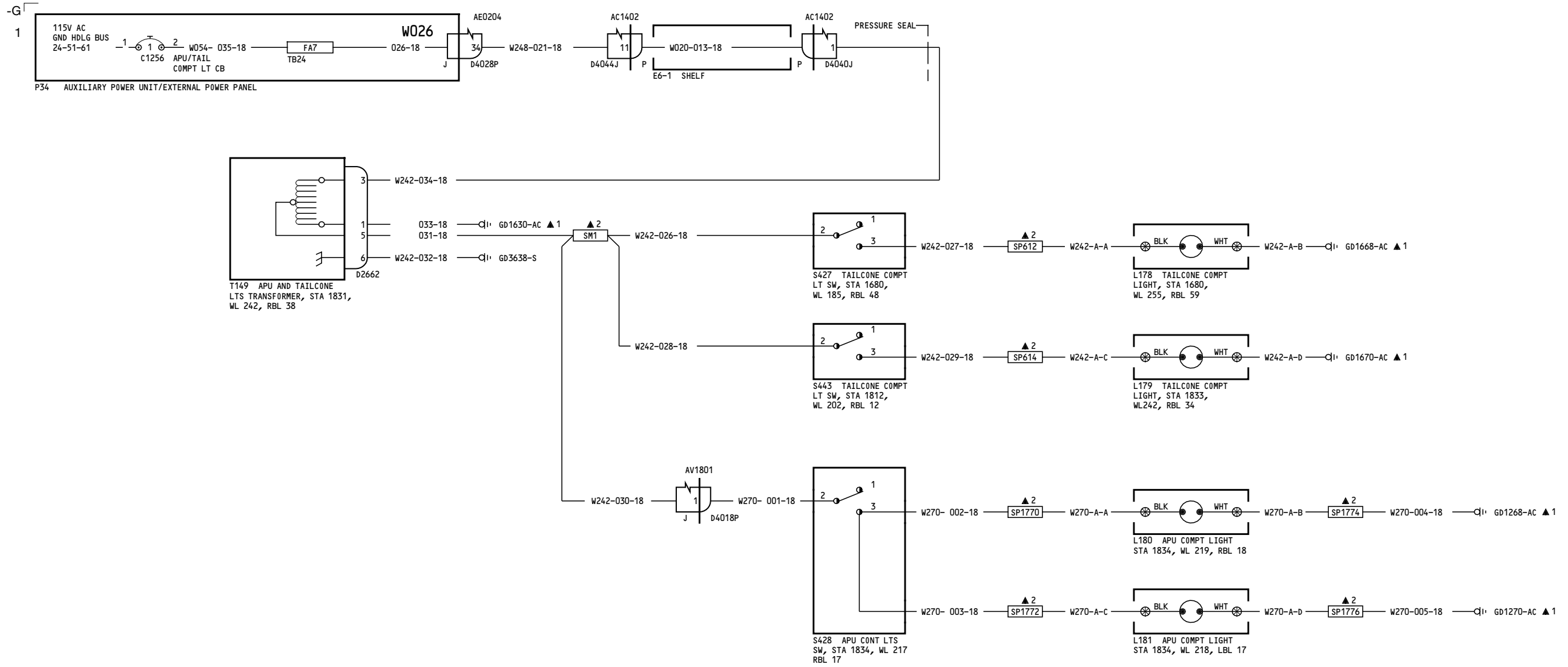
D280T132

Jan 21/2005

33-31-21

Page 1

Jan 21/2005



ALL

**APU & TAILCONE
COMPARTMENT LIGHTS**

D280T132

33-31-31

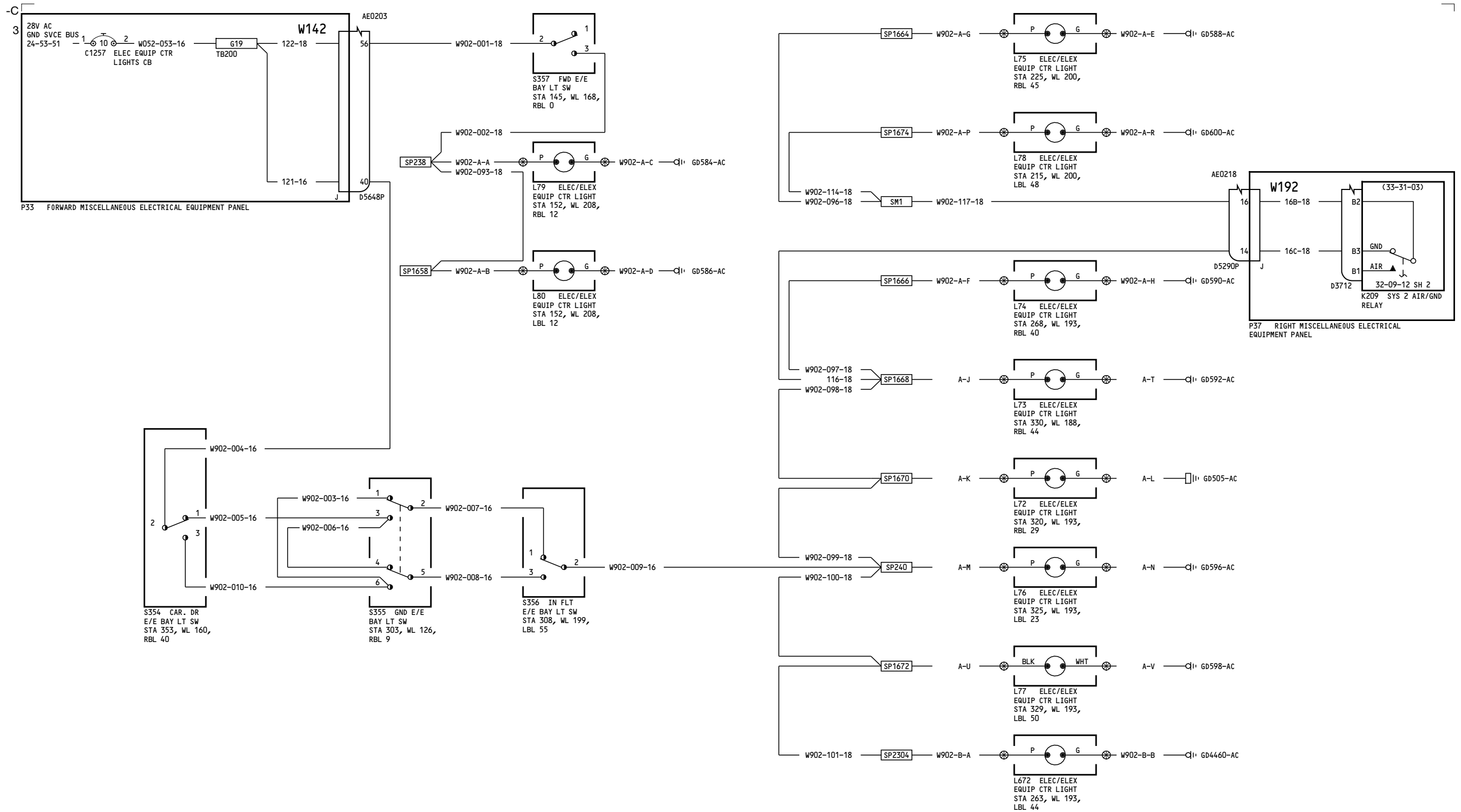
Page 1

Jan 21/2005

33-31-31

Page 1

Jan 21/2005



ALL

ELECTRICAL EQUIPMENT CENTER LIGHTS

33-31-41

Page 1

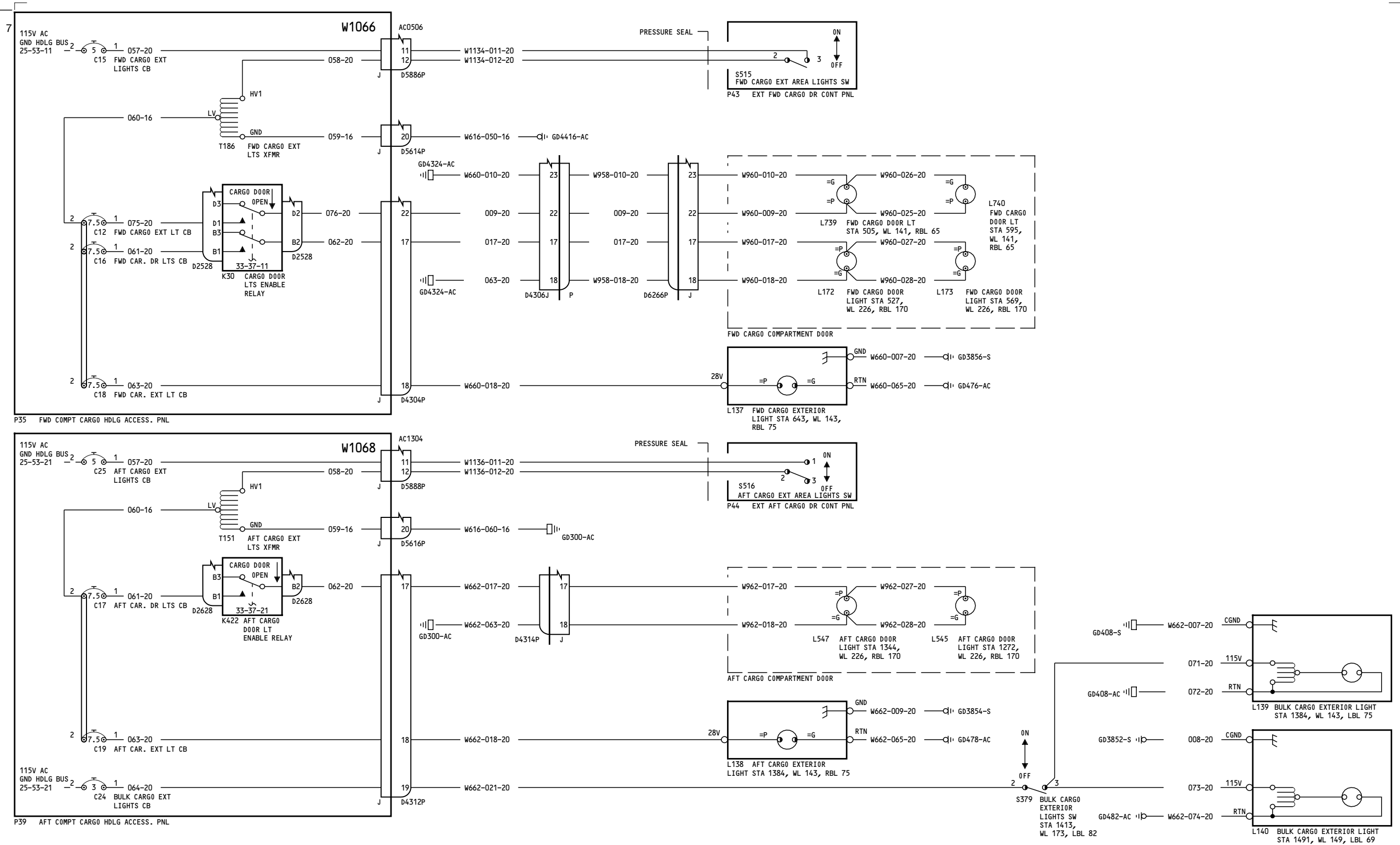
D280T132

Jan 21/2005

33-31-41

Page 1

Jan 21/2005



050-099

CARGO LOADING EXTERIOR AREA LIGHTS

33-31-61

Page 1

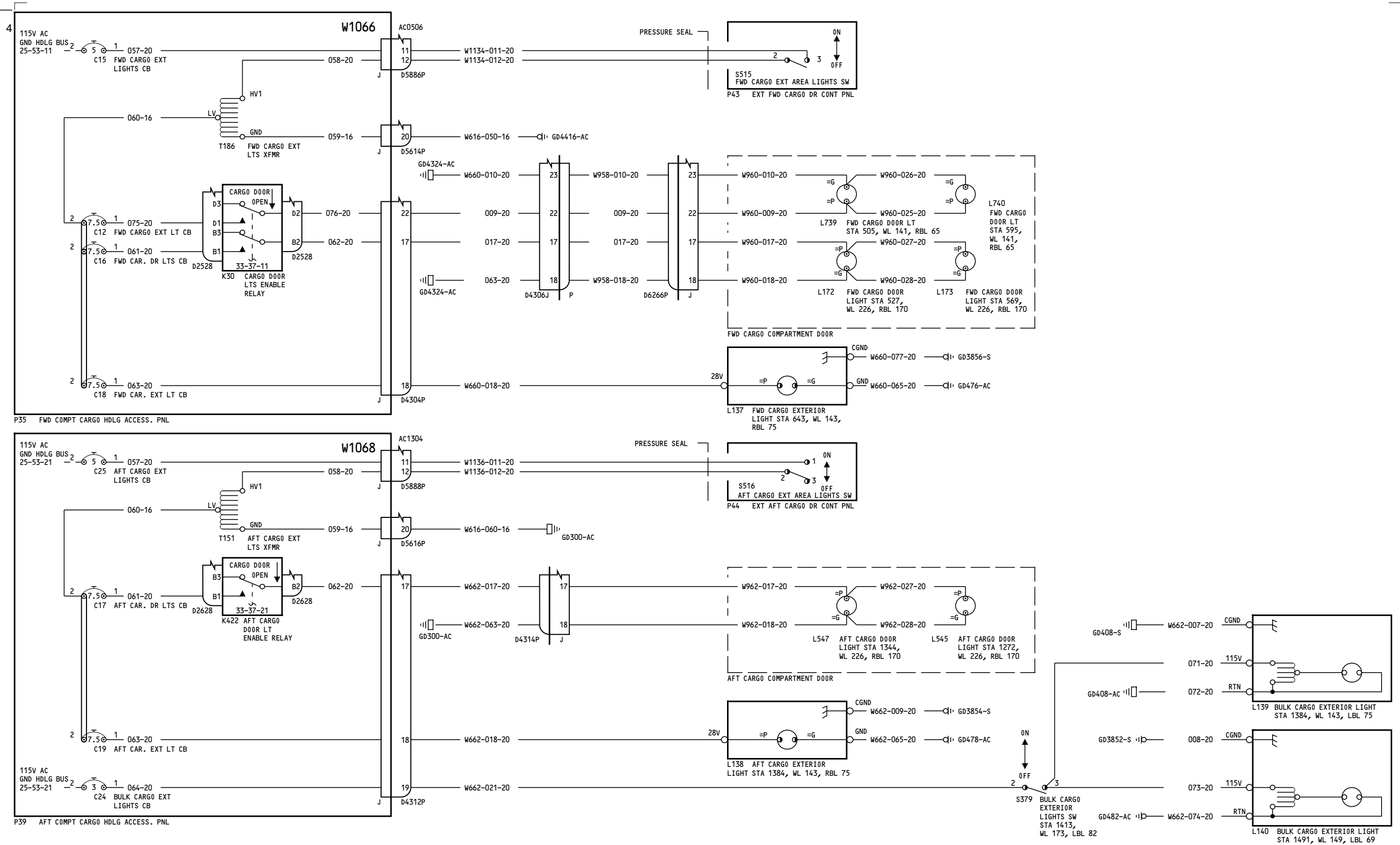
D280T132

Jan 21/2005

33-31-61

Page 1

Jan 21/2005



150-154

CARGO LOADING EXTERIOR AREA LIGHTS

33-31-61

Page 2

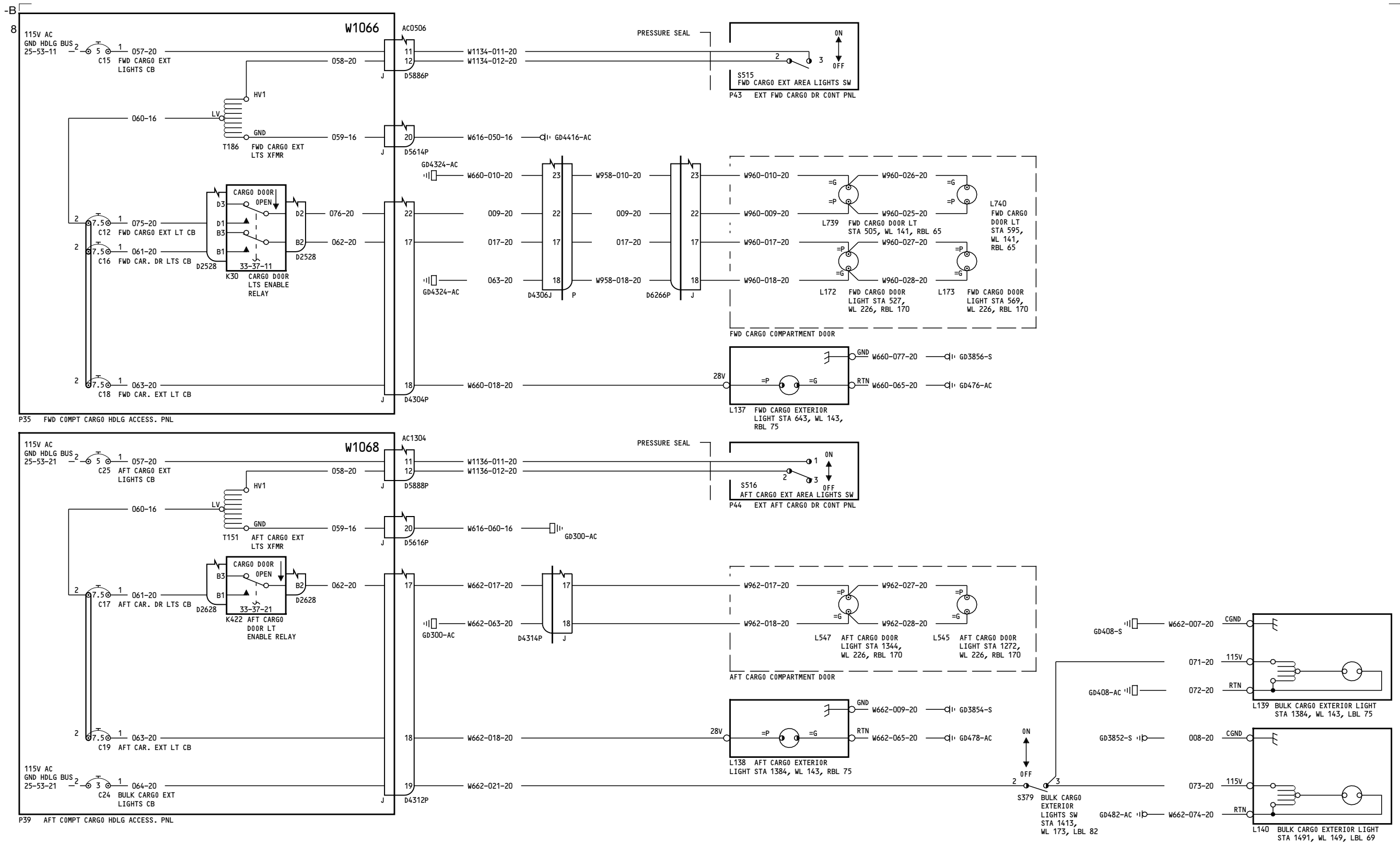
D280T132

Jan 21/2005

33-31-61

Page 2

Jan 21/2005



155-199

CARGO LOADING EXTERIOR AREA LIGHTS

33-31-61

Page 3

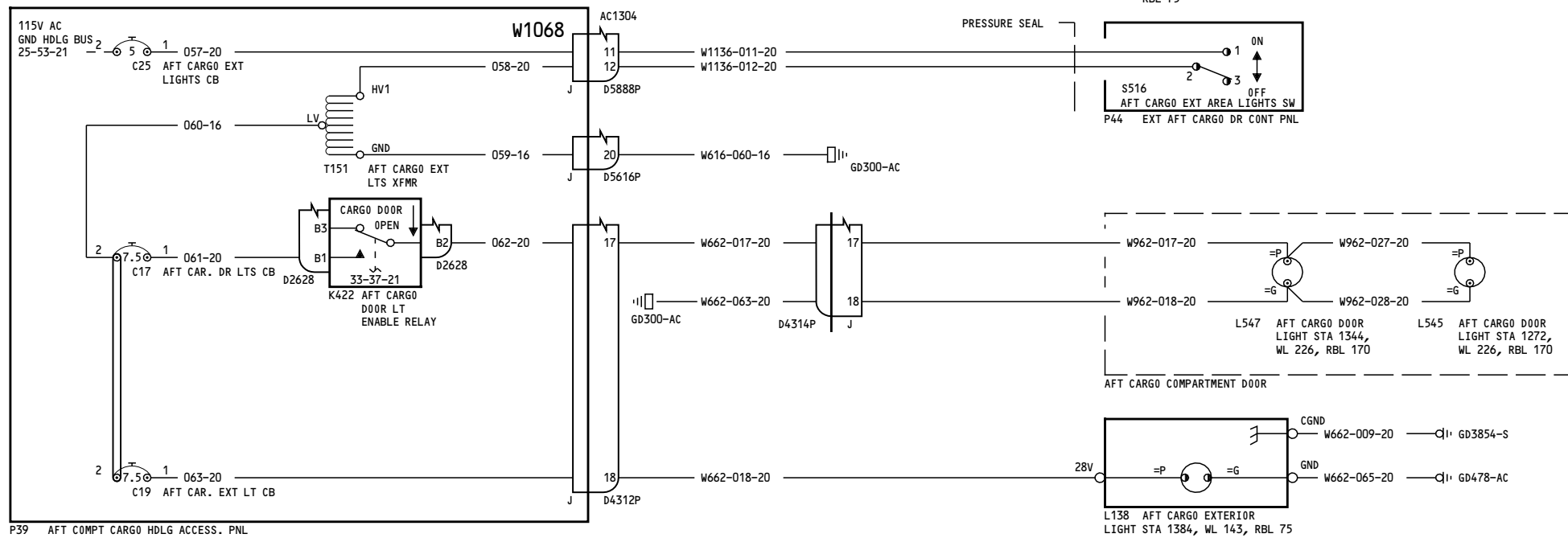
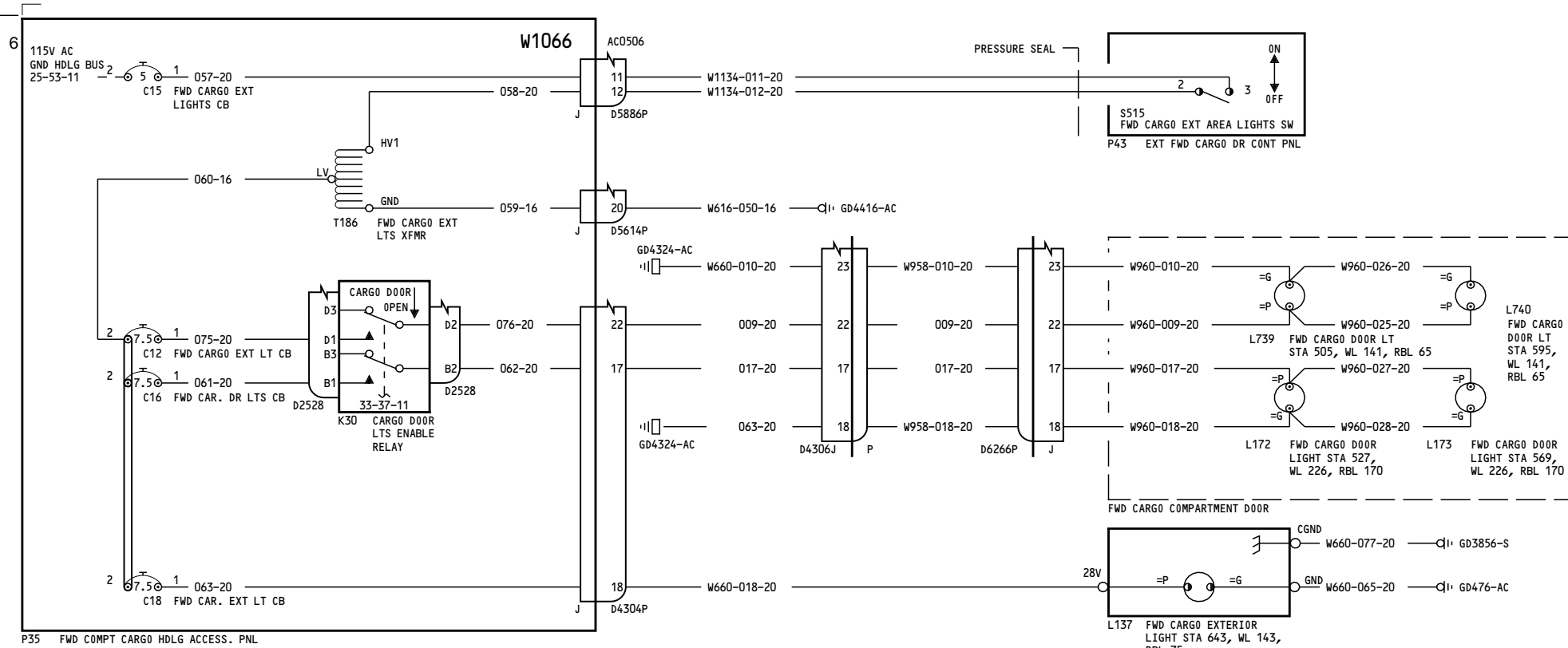
D280T132

Jan 21/2005

33-31-61

Page 3

Jan 21/2005



275-276

CARGO LOADING EXTERIOR AREA LIGHTS

33-31-61

Page 4

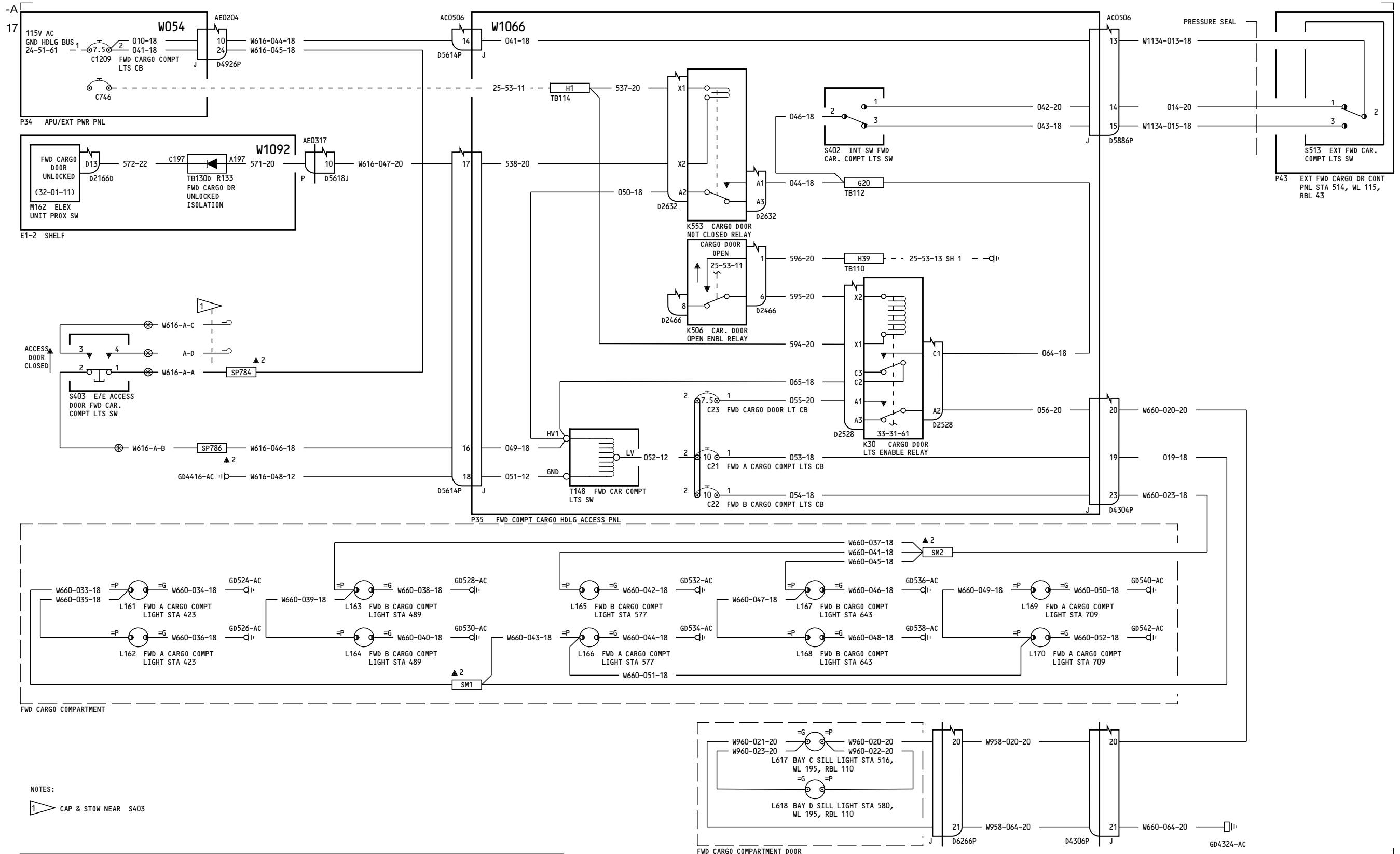
D280T132

Jan 21/2005

33-31-61

Page 4

Jan 21/2005



NOTES:
 1 CAP & STOW NEAR S403

050-099

CARGO LIGHTS- LOWER LOBE-FORWARD COMPARTMENT

D280T132

33-37-11

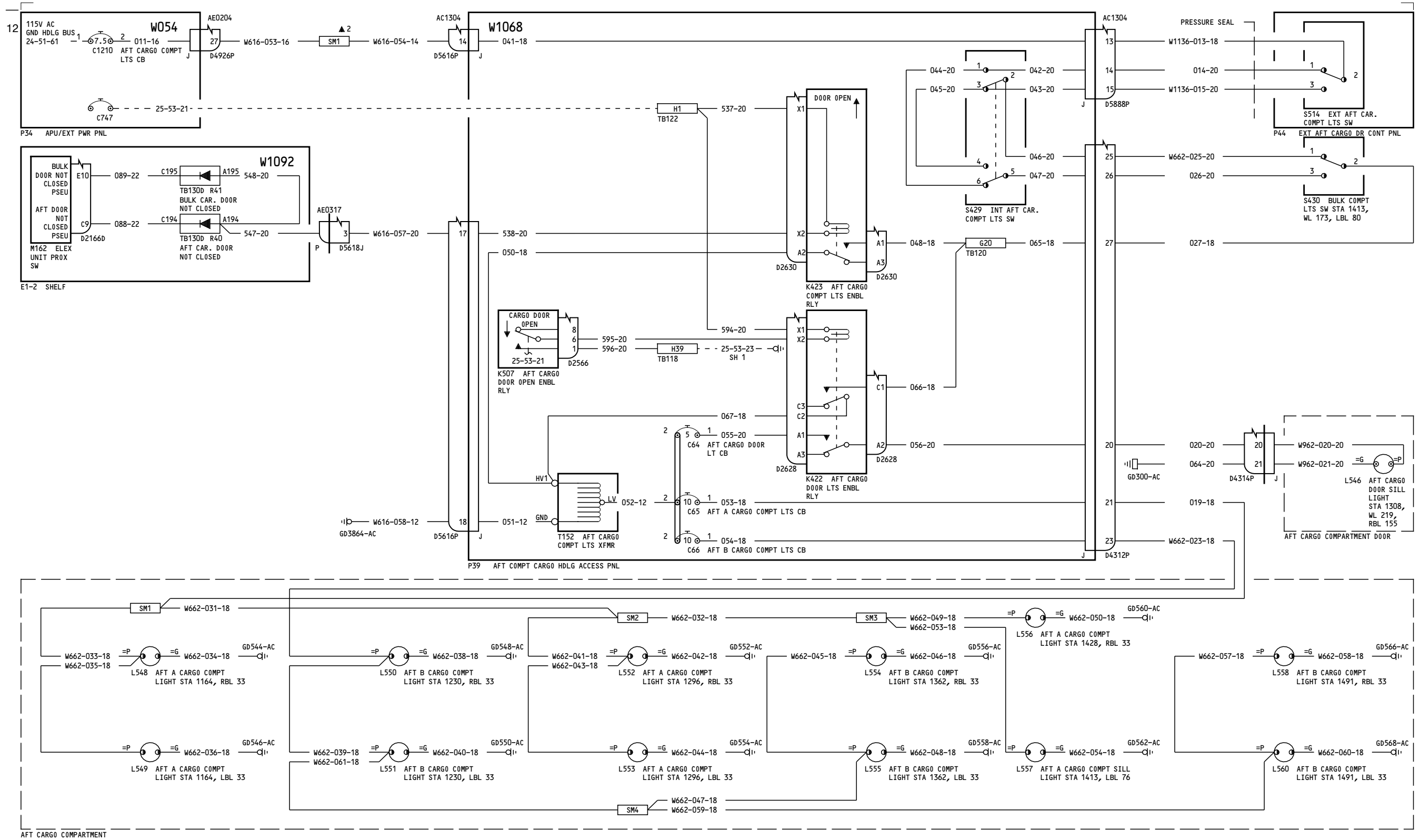
Page 1

Jan 21/2005

33-37-11

Page 1

Jan 21/2005



050-099

**CARGO LIGHTS-
LOWER LOBE-
AFT COMPARTMENT**

33-37-21

Page 1

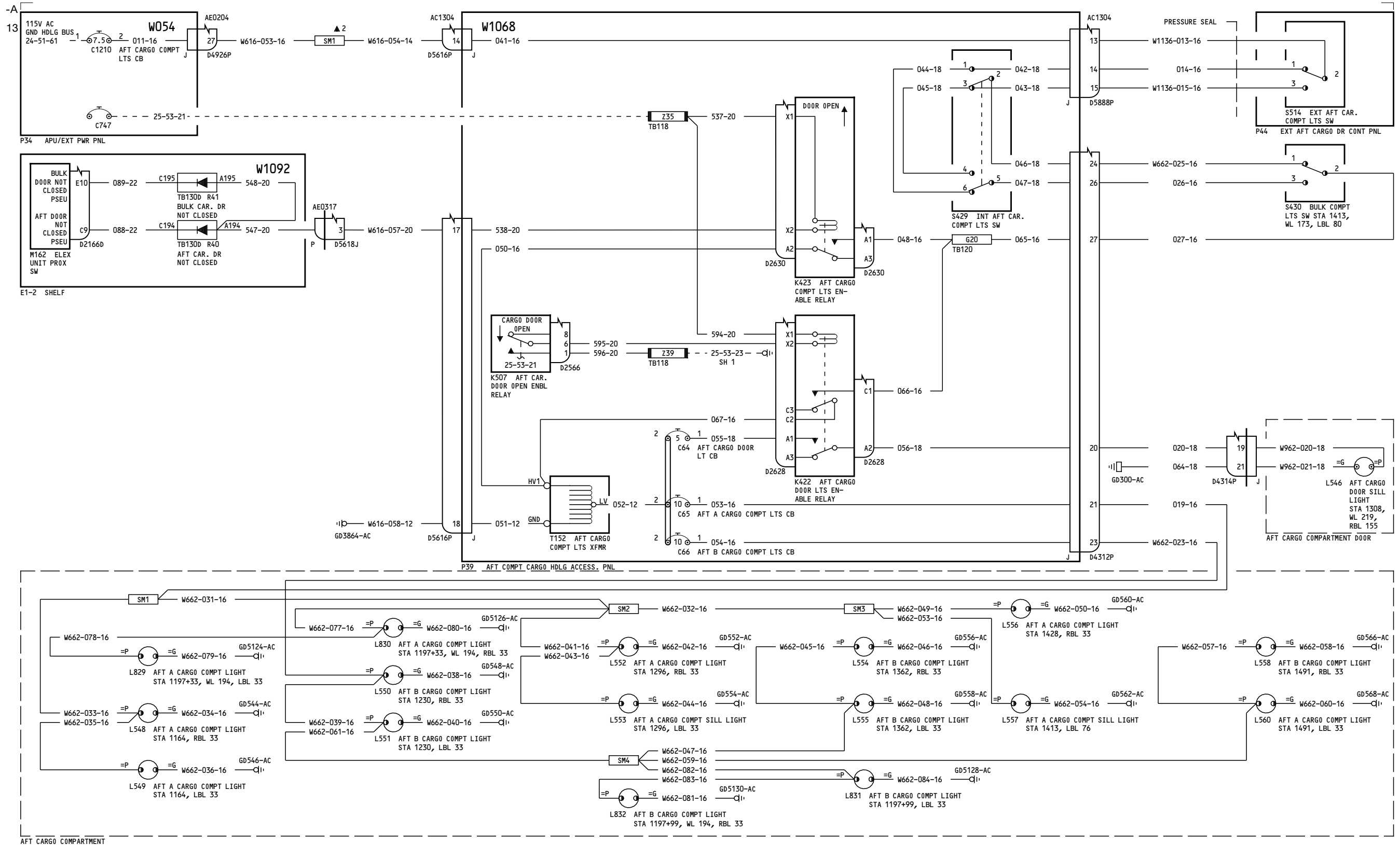
D280T132

Jan 21/2005

33-37-21

Page 1

Jan 21/2005



150-199, 275-299

CARGO LIGHTS- LOWER LOBE- AFT COMPARTMENT

33-37-21

Page 2

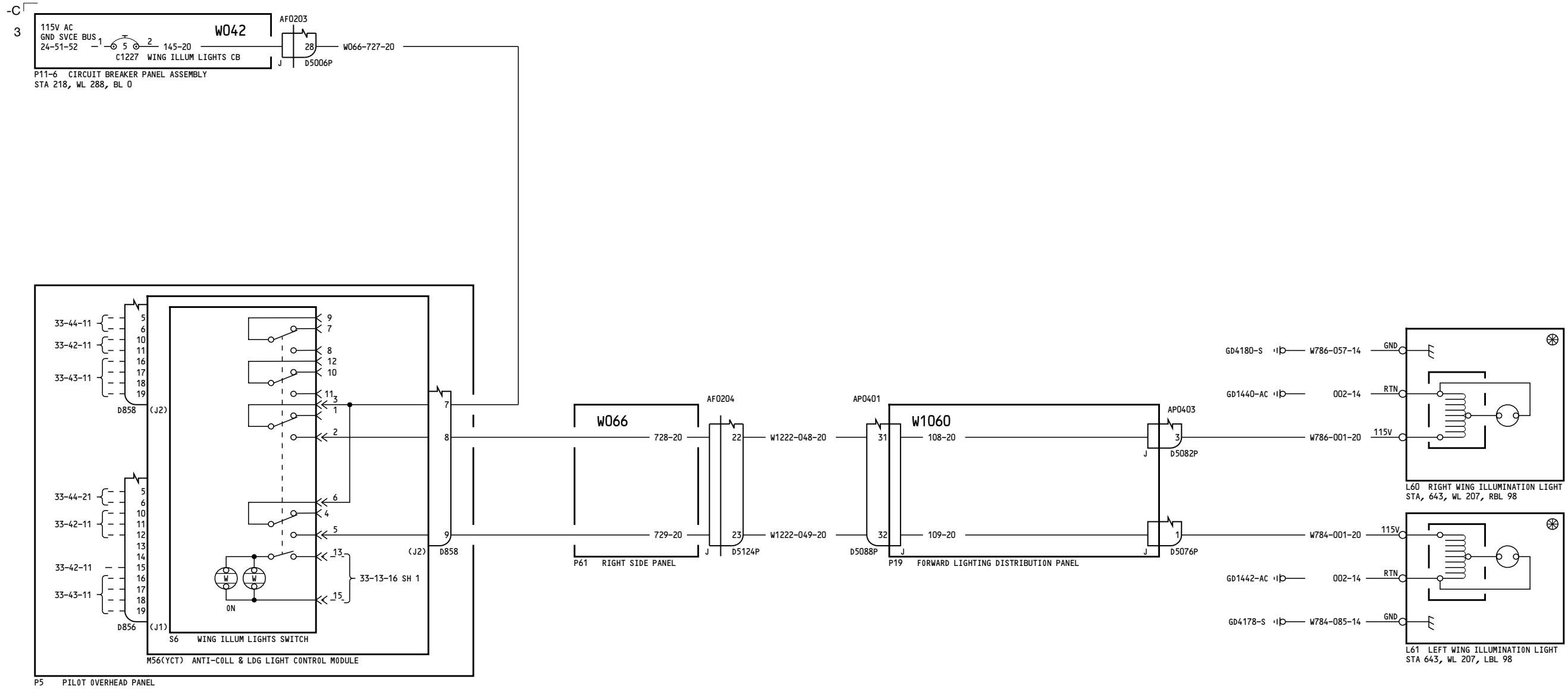
D280T132

Jan 21/2005

33-37-21

Page 2

Jan 21/2005



050-099

**ILLUMINATION LIGHTS-
WING**

33-41-11

Page 1

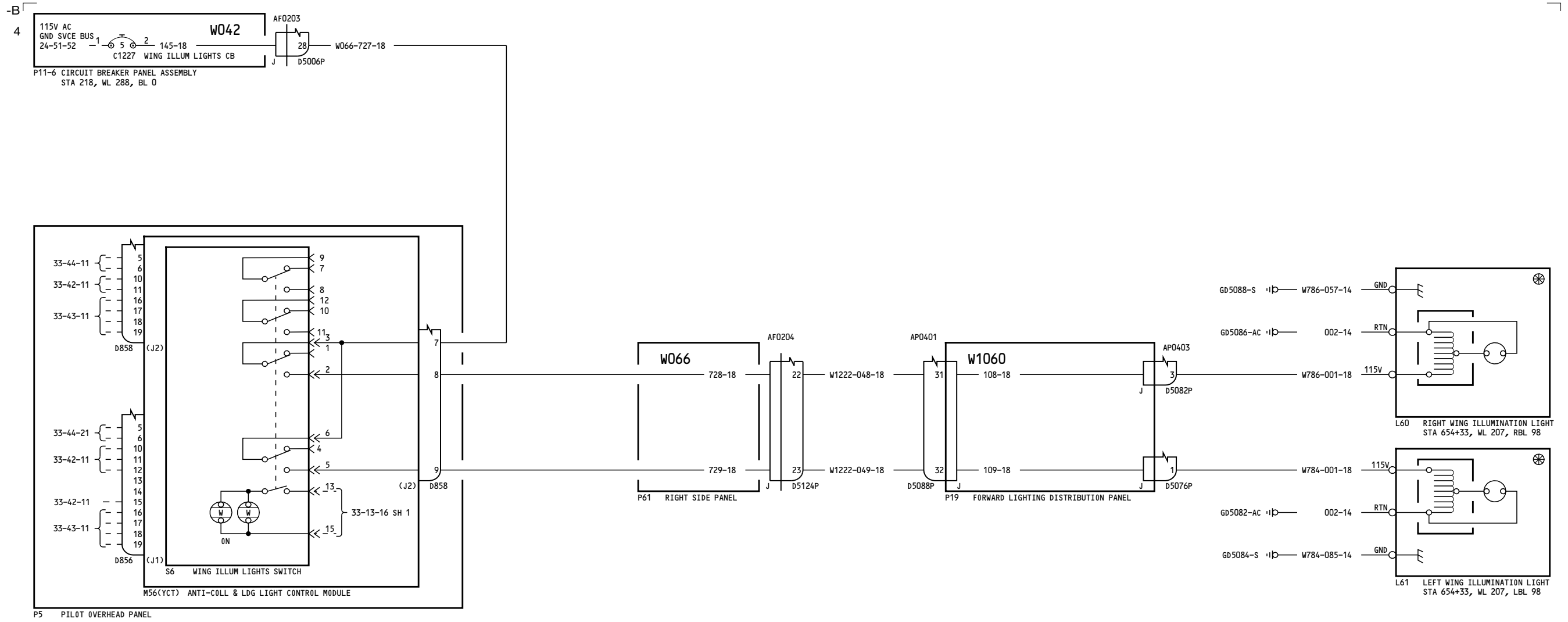
D280T132

Jan 21/2005

33-41-11

Page 1

Jan 21/2005



150-199, 275-299

**ILLUMINATION LIGHTS-
WING**

33-41-11

Page 2

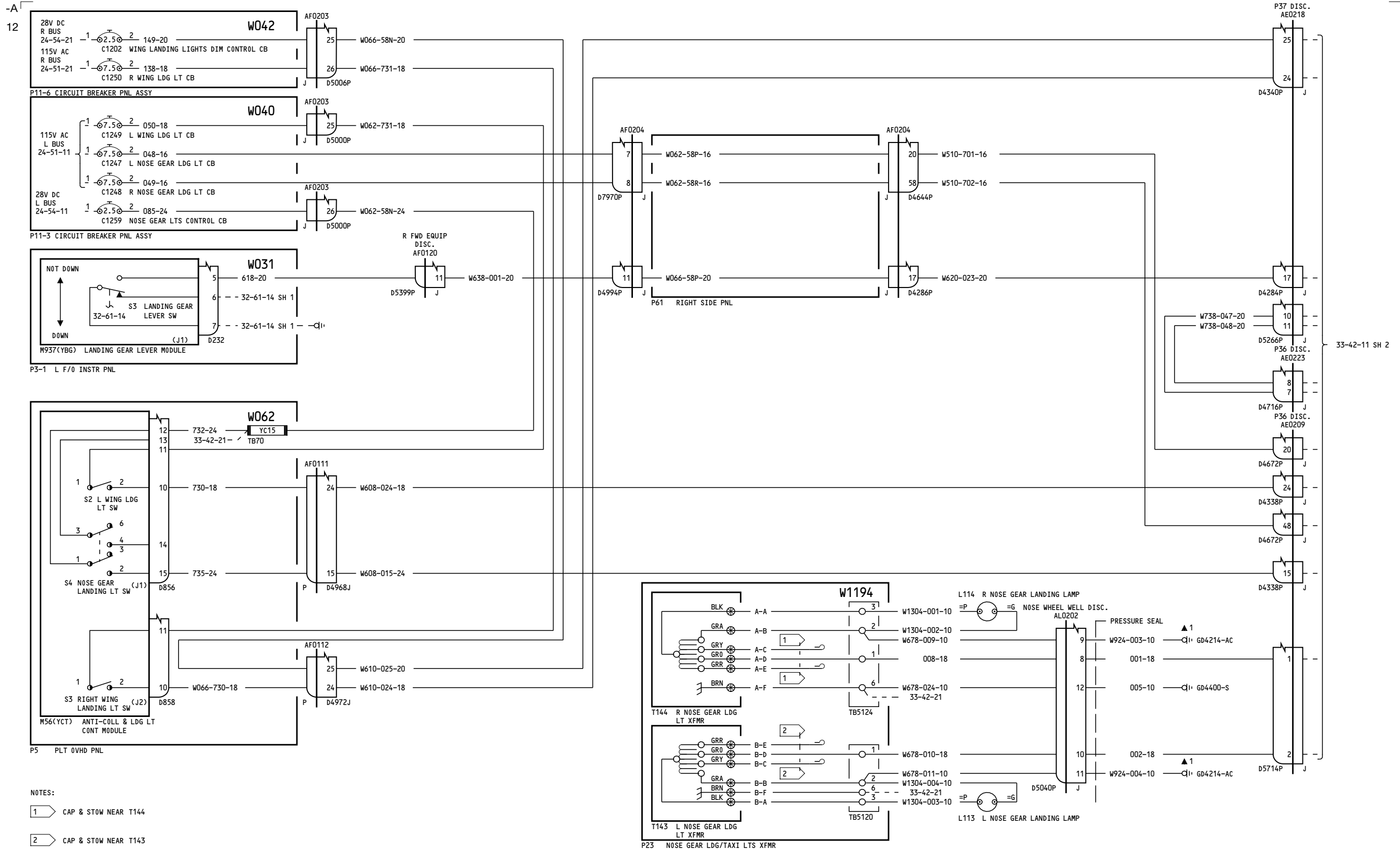
D280T132

Jan 21/2005

33-41-11

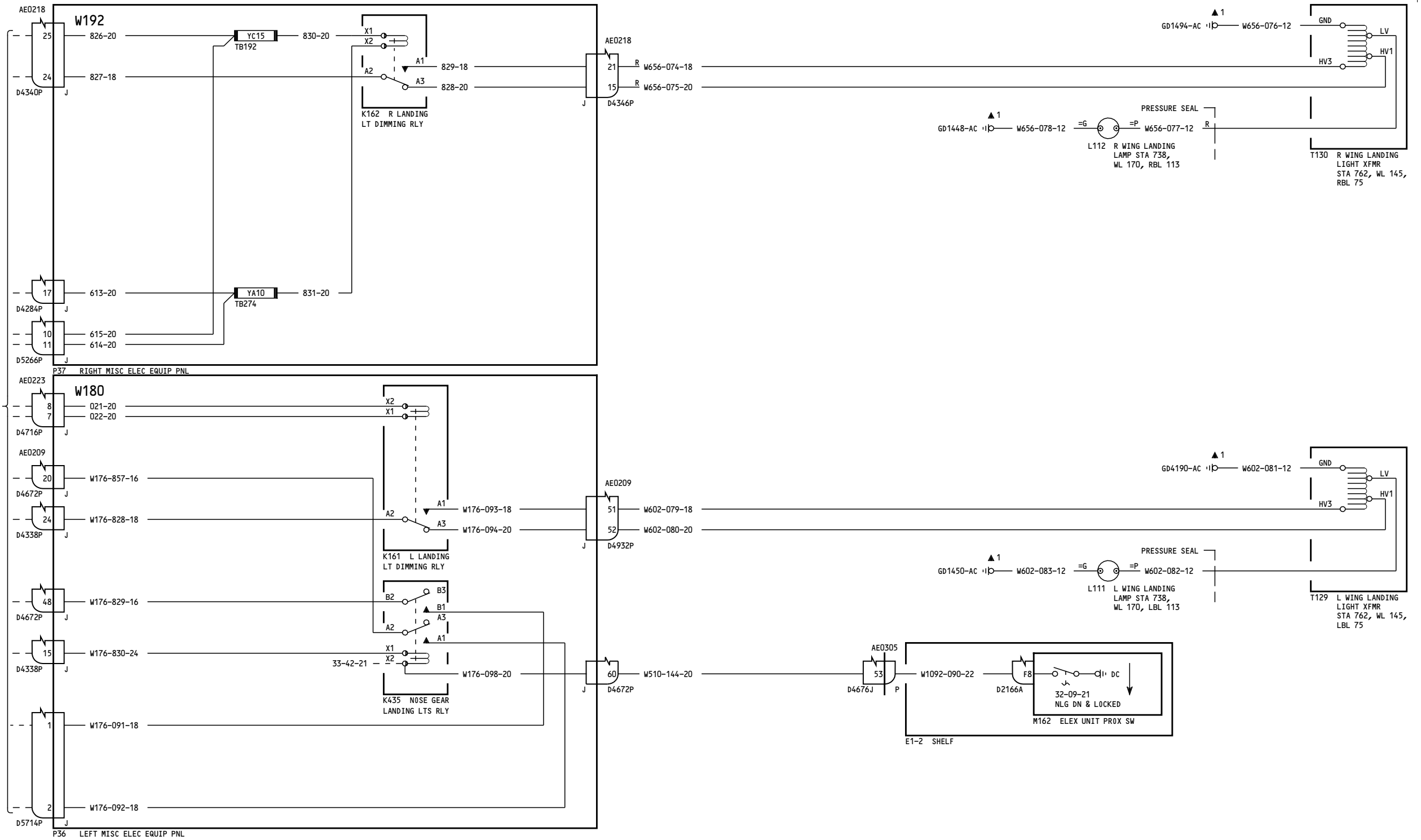
Page 2

Jan 21/2005



NOTES:
 1 CAP & STOW NEAR T144
 2 CAP & STOW NEAR T143

| | |
|---------|-----------------------|
| 050-099 | LANDING LIGHTS |
| | D280T132 |



050-099

LANDING LIGHTS

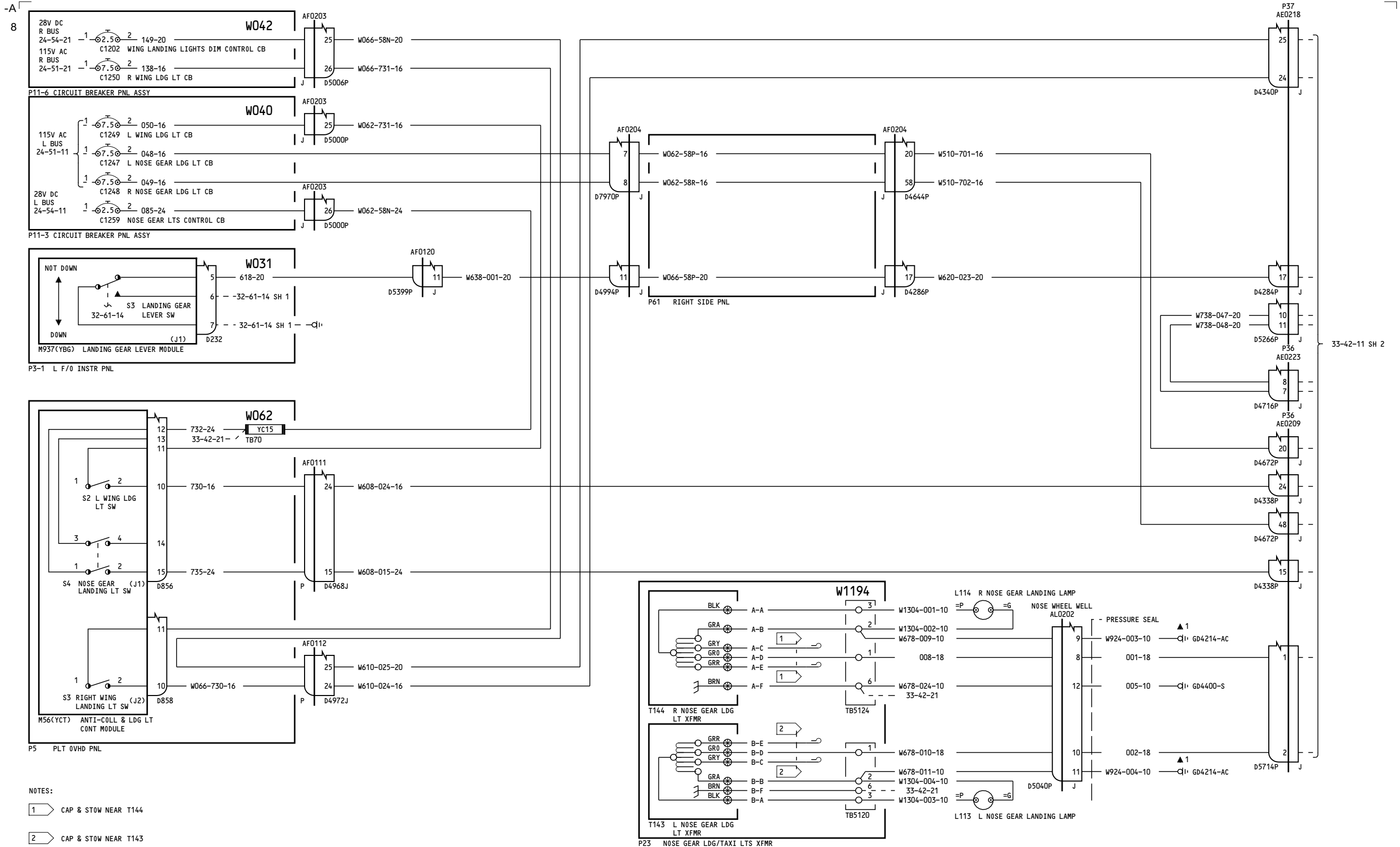
33-42-11

Page 1
Sheet 2
Jan 21/2005

D280T132

33-42-11

Page 1
Sheet 2
Jan 21/2005



NOTES:
 1 CAP & STOW NEAR T144
 2 CAP & STOW NEAR T143

| | |
|------------------|-----------------------|
| 150-199, 275-299 | LANDING LIGHTS |
| | D280T132 |

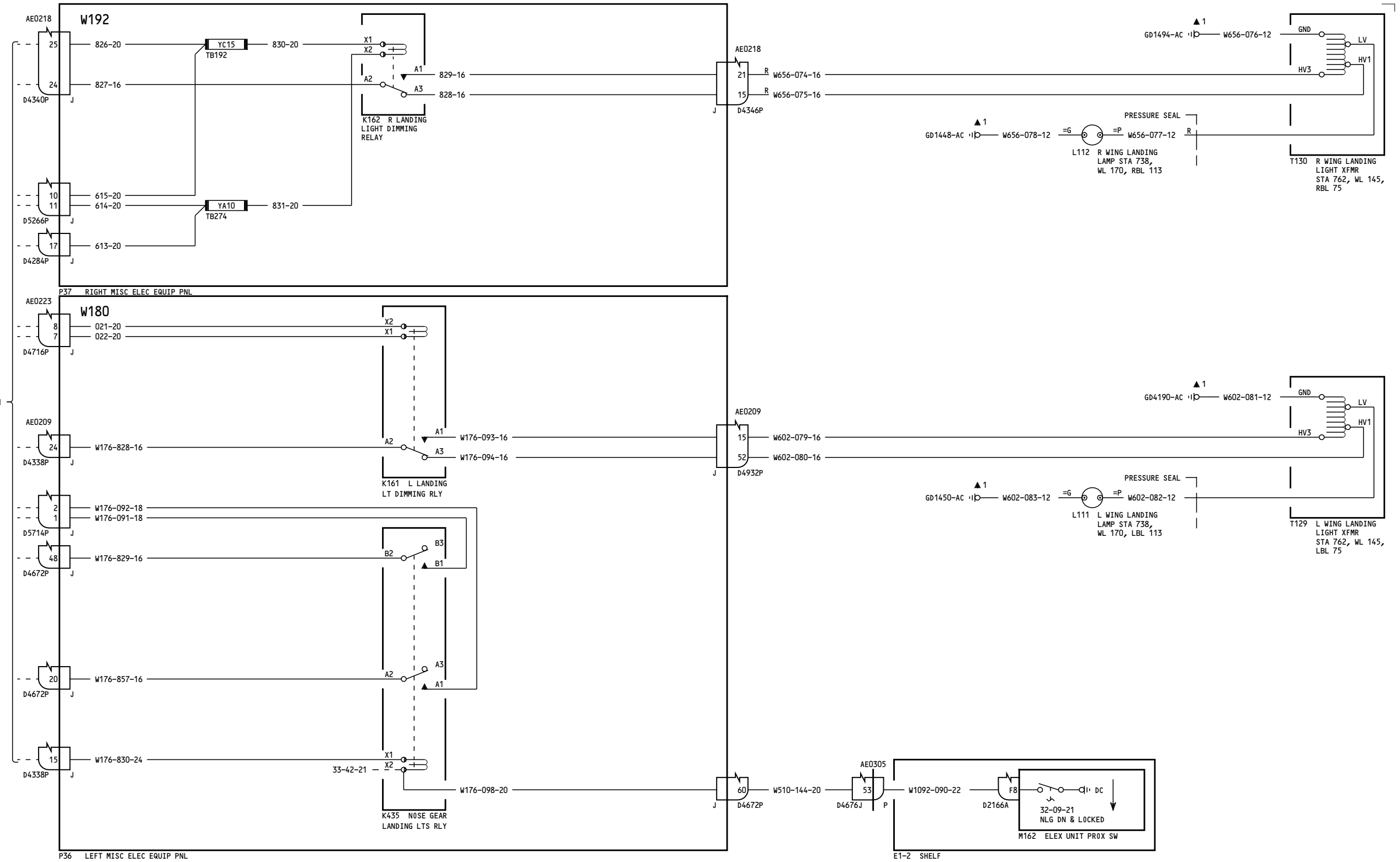
33-42-11

Page 2
 Sheet 1
 Jan 21/2005

33-42-11

Page 2
 Sheet 1
 Jan 21/2005

-A
8



150-199, 275-299

LANDING LIGHTS

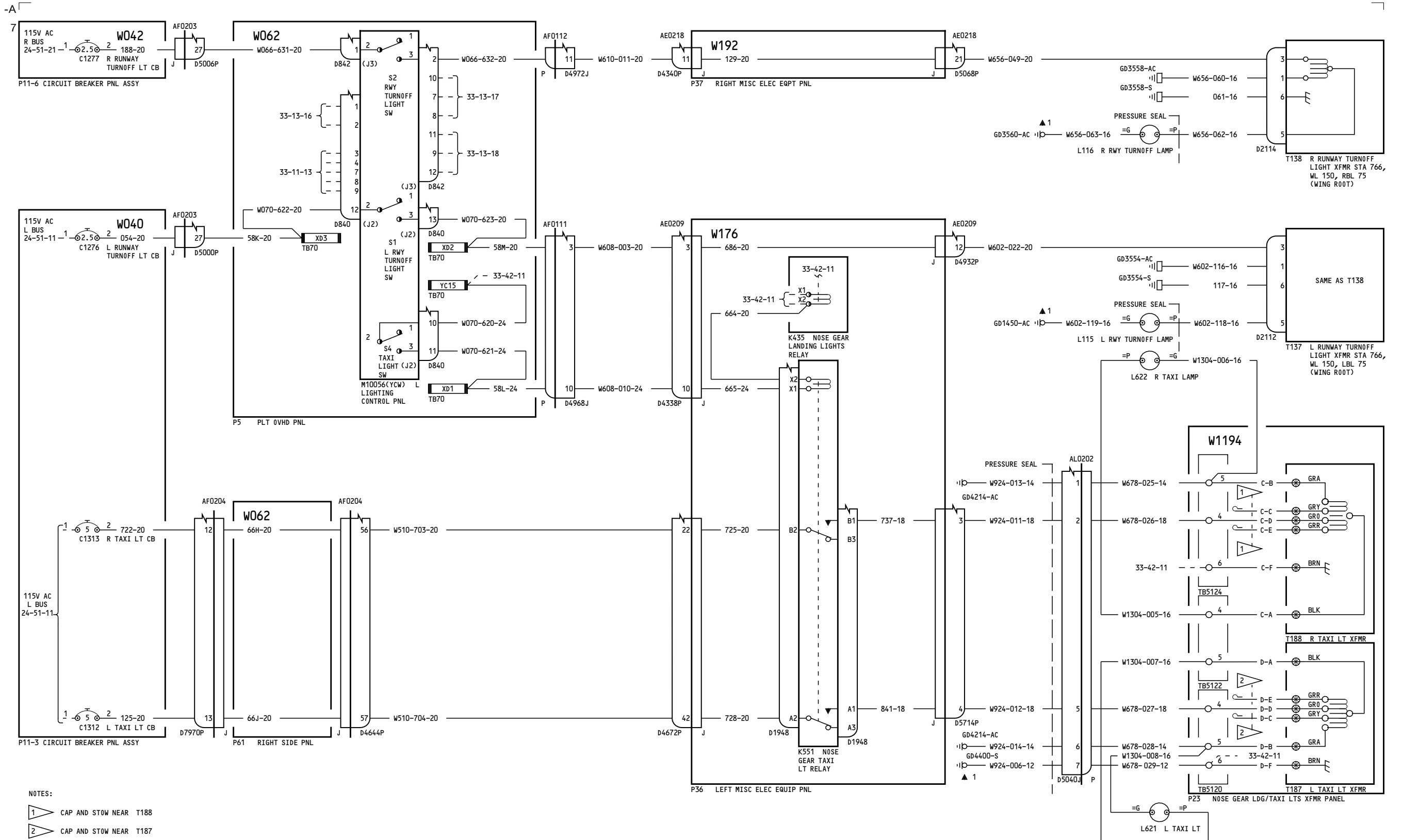
33-42-11

Page 2
Sheet 2
Jan 21/2005

D280T132

33-42-11

Page 2
Sheet 2
Jan 21/2005



- NOTES:
- 1 CAP AND STOW NEAR T188
 - 2 CAP AND STOW NEAR T187

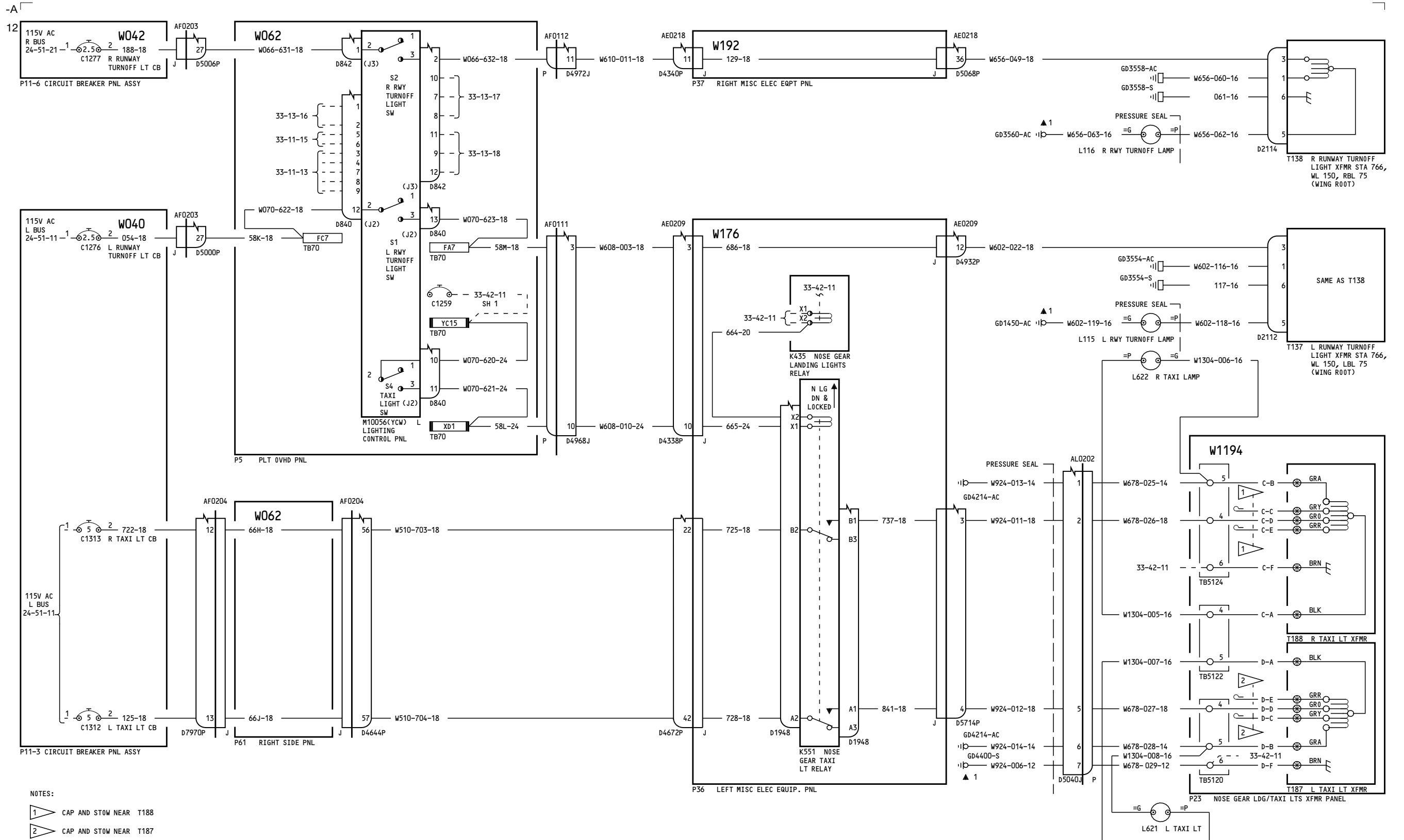
| | |
|---------|-----------------------------------------|
| 050-099 | RUNWAY TURNOFF & TAXI LIGHTS |
| | D280T132 |

33-42-21

Page 1
Jan 21/2005

33-42-21

Page 1
Jan 21/2005



150-199, 275-299

RUNWAY TURNOFF & TAXI LIGHTS

33-42-21

Page 2

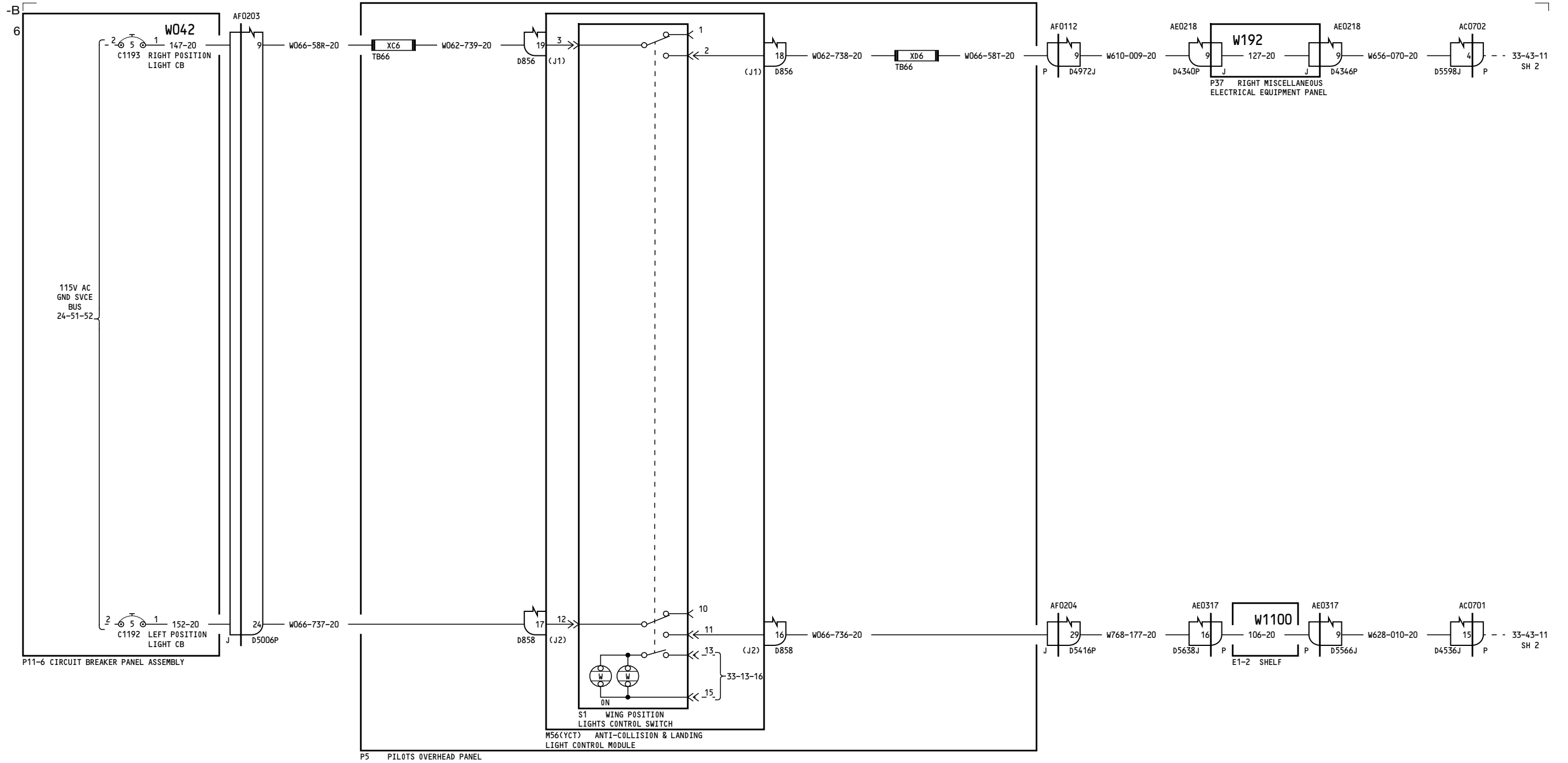
D280T132

Jan 21/2005

33-42-21

Page 2

Jan 21/2005



050-099

POSITION LIGHTS

33-43-11

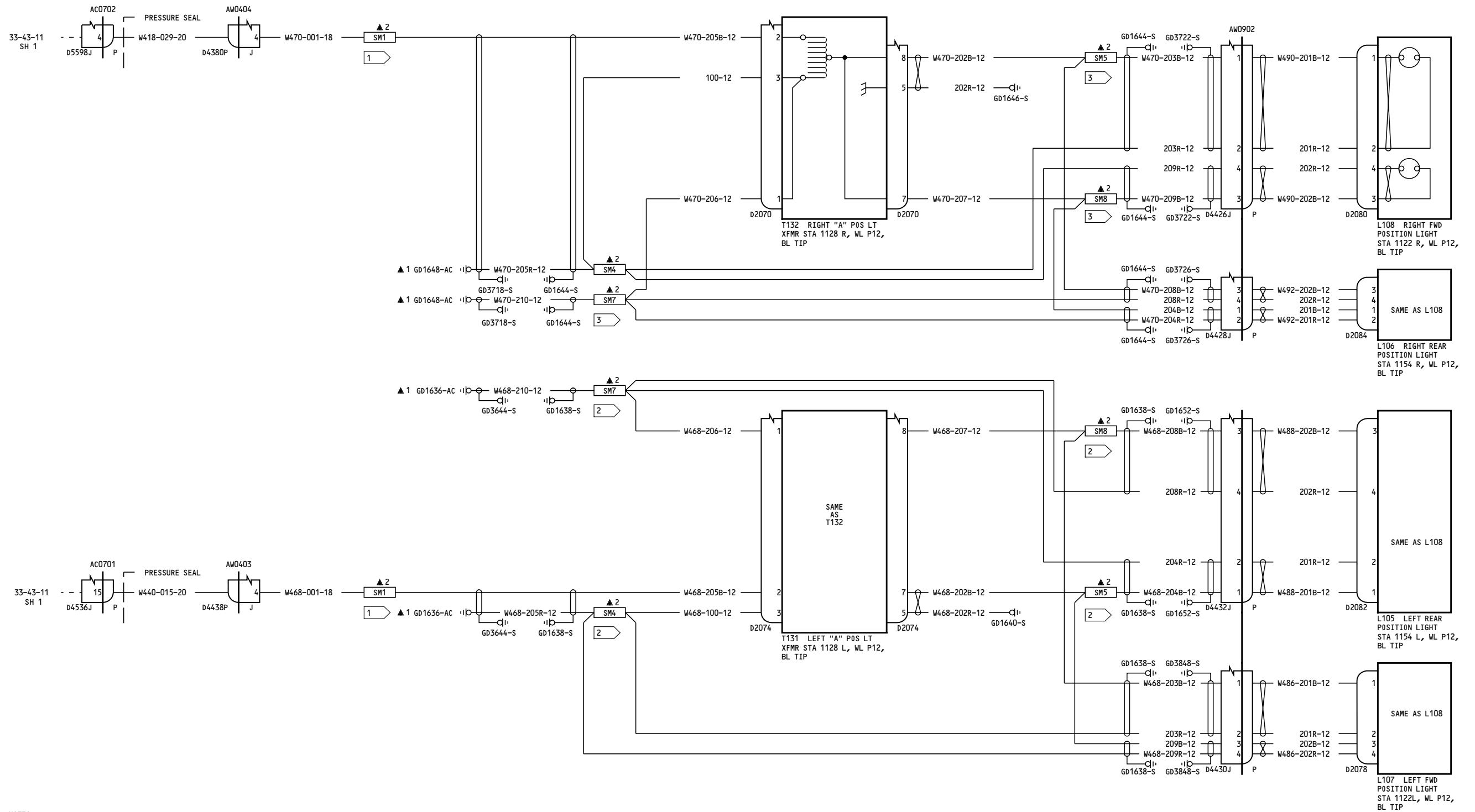
Page 1
Sheet 1
Jan 21/2005

D280T132

33-43-11

Page 1
Sheet 1
Jan 21/2005

-B
8



- NOTES:
- 1 SPLICE LOCATED WITHIN 6 INCHES OF THE ENGINE STRUT DISCONNECT
 - 2 LOCATE SPLICE AS CLOSE TO T131 AS POSSIBLE
 - 3 LOCATE SPLICE AS CLOSE TO T132 AS POSSIBLE

050-099

POSITION LIGHTS

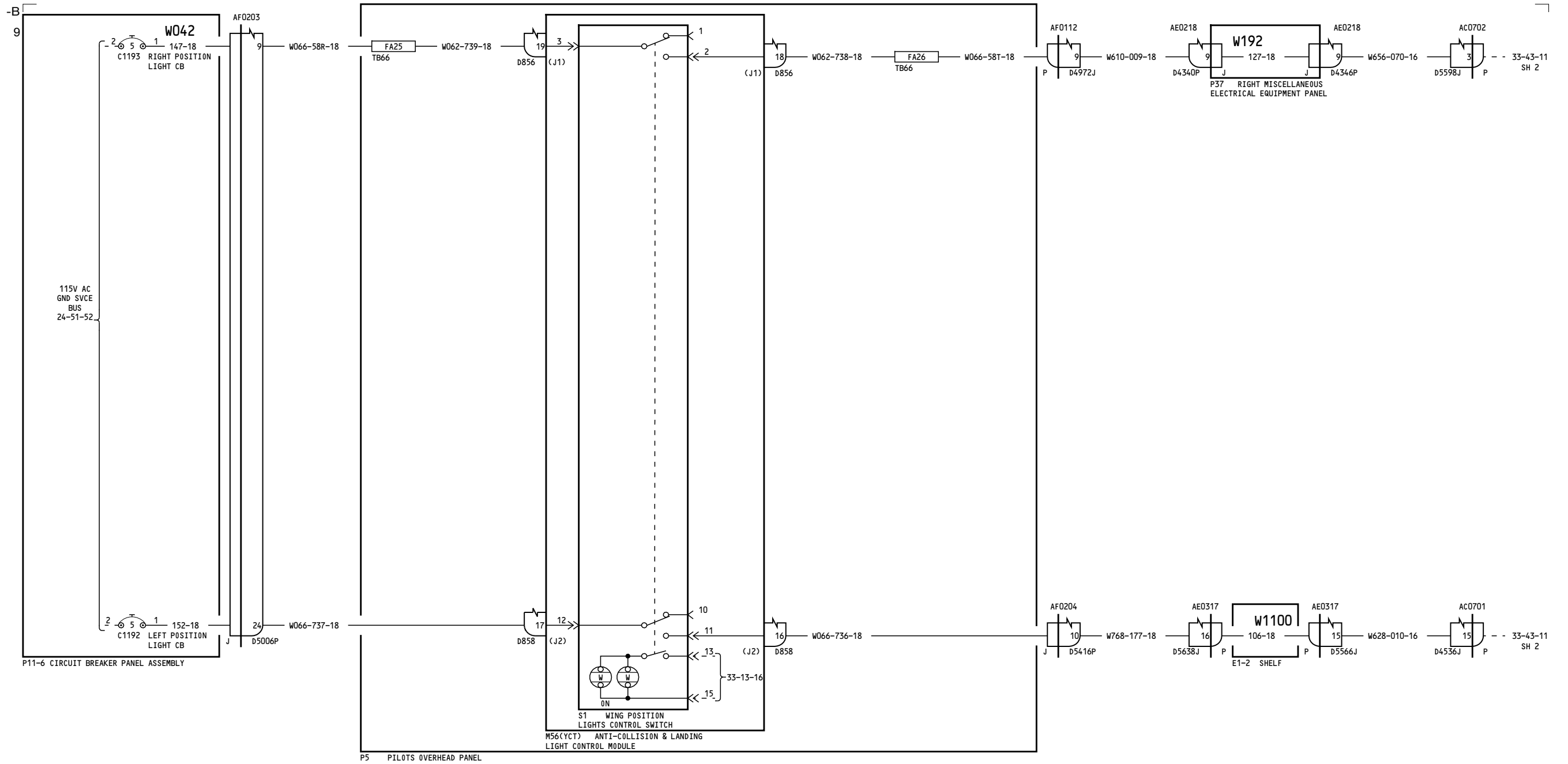
D280T132

33-43-11

Page 1
Sheet 2
Jan 21/2005

33-43-11

Page 1
Sheet 2
Jan 21/2005



150-154, 275

POSITION LIGHTS

33-43-11

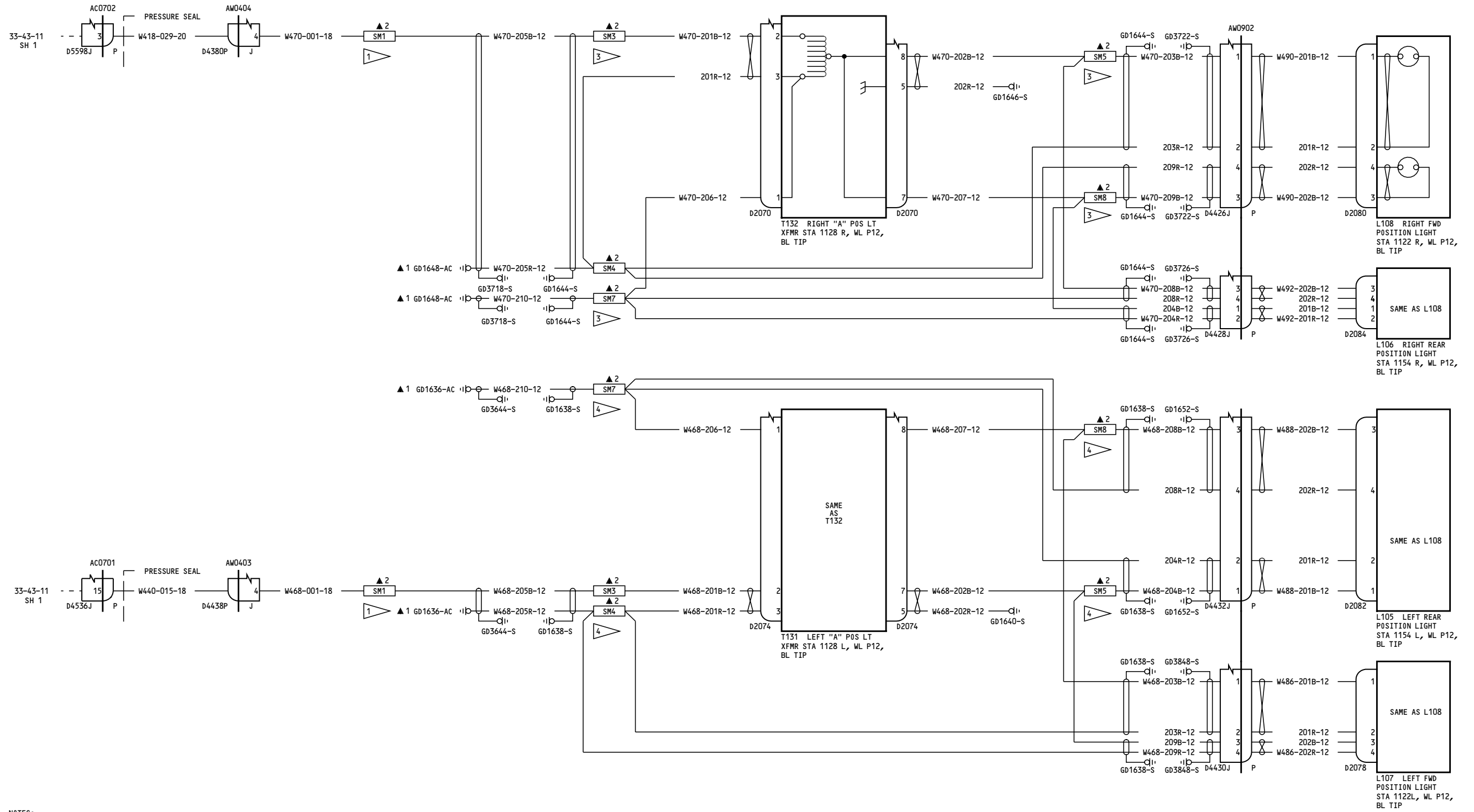
Page 2
Sheet 1
Jan 21/2005

D280T132

33-43-11

Page 2
Sheet 1
Jan 21/2005

-B
5



- NOTES:
- 1 SPLICE LOCATED WITHIN 6 INCHES OF THE ENGINE STRUT DISCONNECT
 - 3 LOCATE SPLICE AS CLOSE TO T132 AS POSSIBLE
 - 4 LOCATE SPLICE AS CLOSE TO T131 AS POSSIBLE

150-154, 275

POSITION LIGHTS

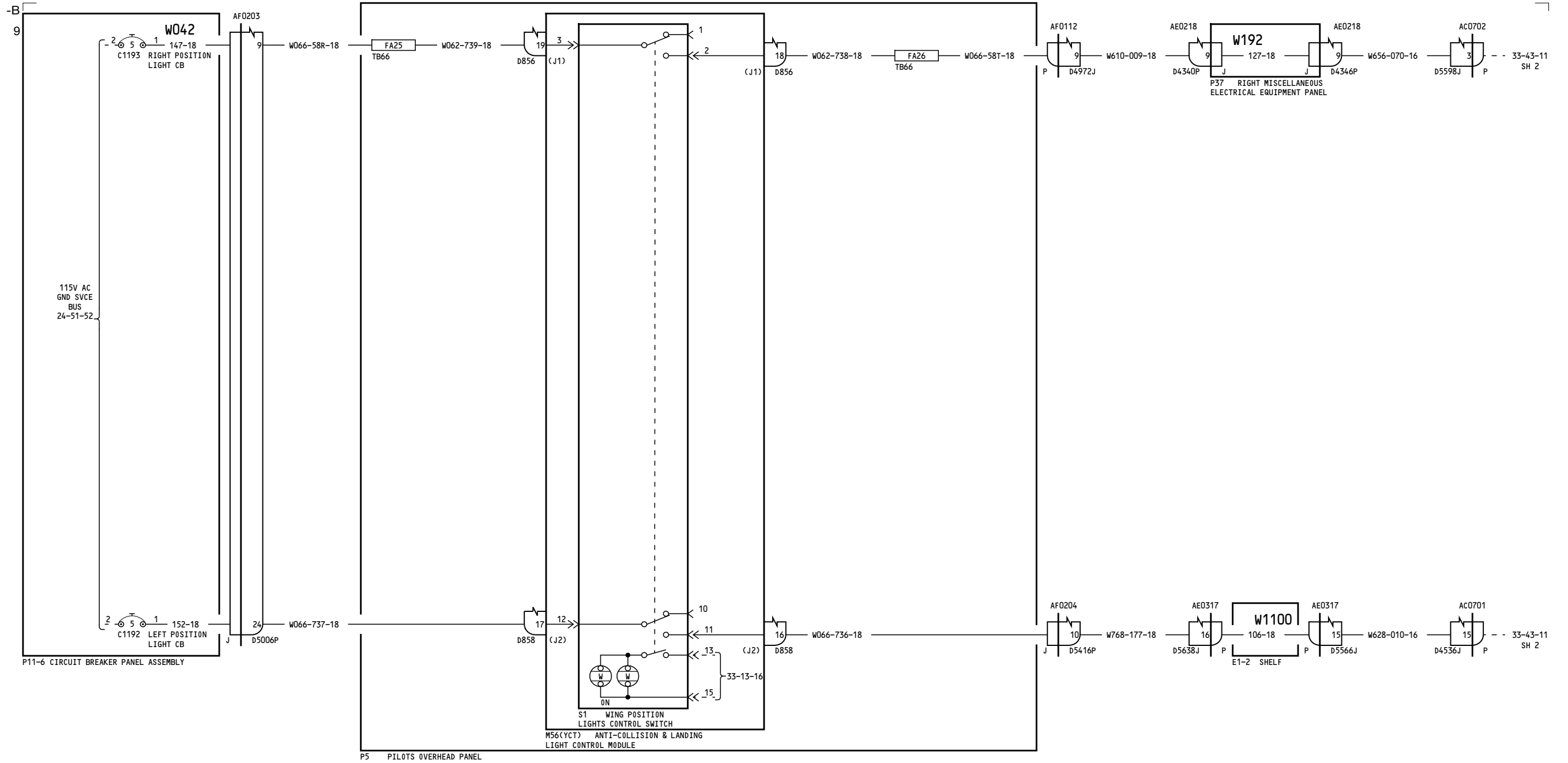
D280T132

33-43-11

Page 2
Sheet 2
Jan 21/2005

33-43-11

Page 2
Sheet 2
Jan 21/2005



155-199, 276-299

POSITION LIGHTS

33-43-11

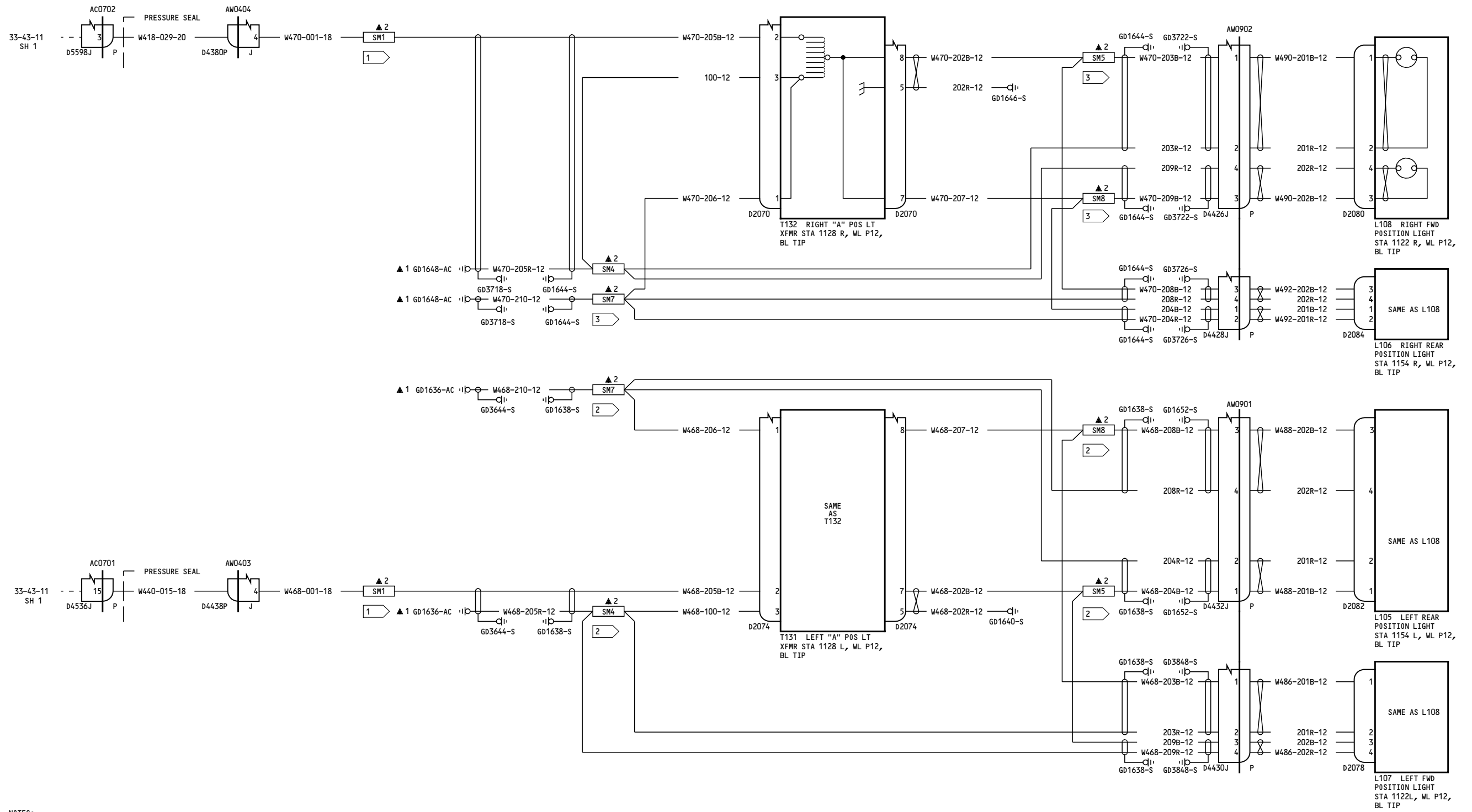
Page 3
Sheet 1
Jan 21/2005

D280T132

33-43-11

Page 3
Sheet 1
Jan 21/2005

-D
9



- NOTES:
- 1 SPlice LOCATED WITHIN 6 INCHES OF THE ENGINE STRUT DISCONNECT
 - 2 LOCATE SPLICE AS CLOSE TO T131 AS POSSIBLE
 - 3 LOCATE SPLICE AS CLOSE TO T132 AS POSSIBLE

155-199, 276-299

POSITION LIGHTS

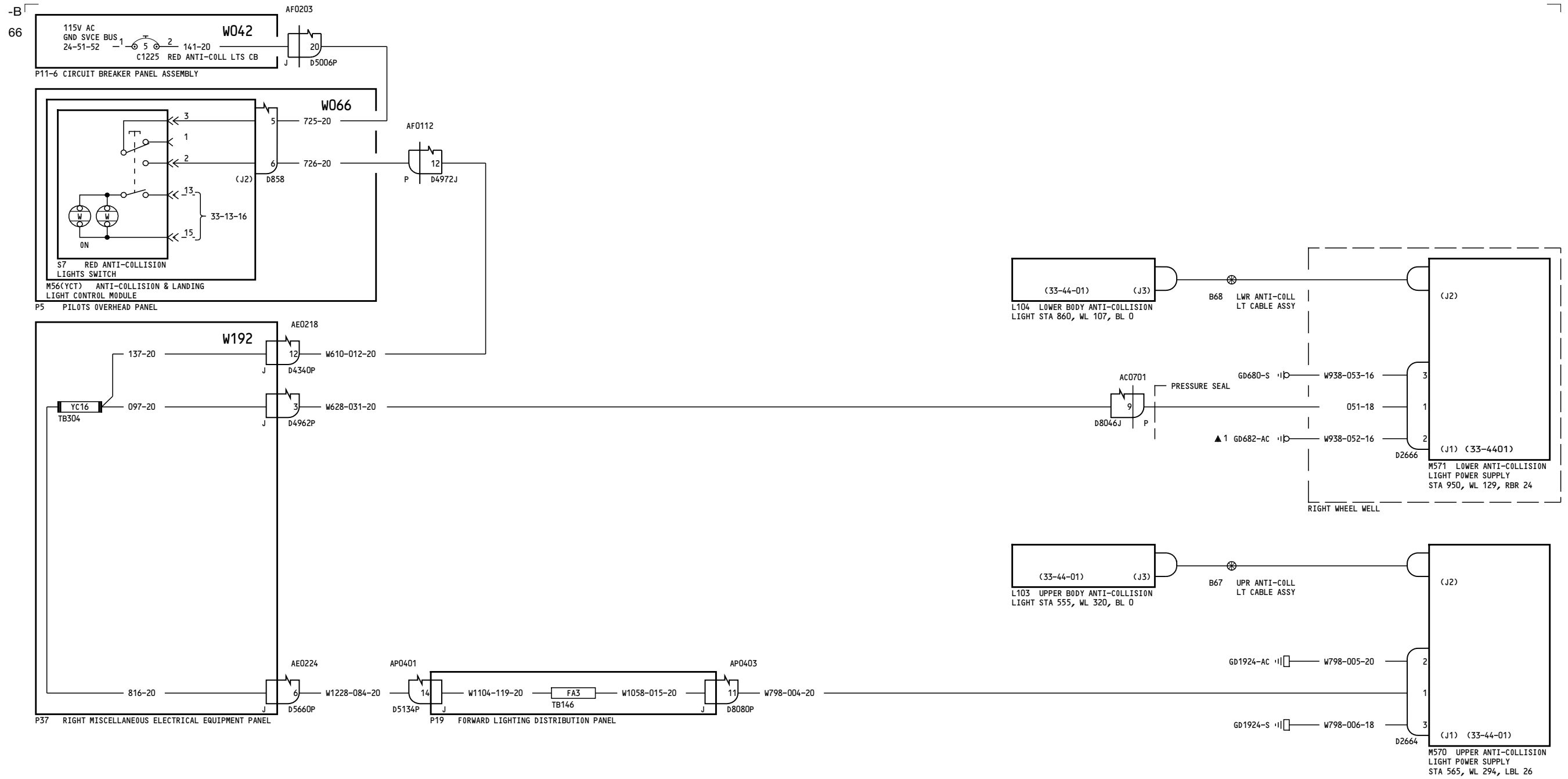
D280T132

33-43-11

Page 3
Sheet 2
Jan 21/2005

33-43-11

Page 3
Sheet 2
Jan 21/2005



050-099, 153-199, 275-299

ANTI-COLLISION LIGHTS-BODY

33-44-11

Page 1

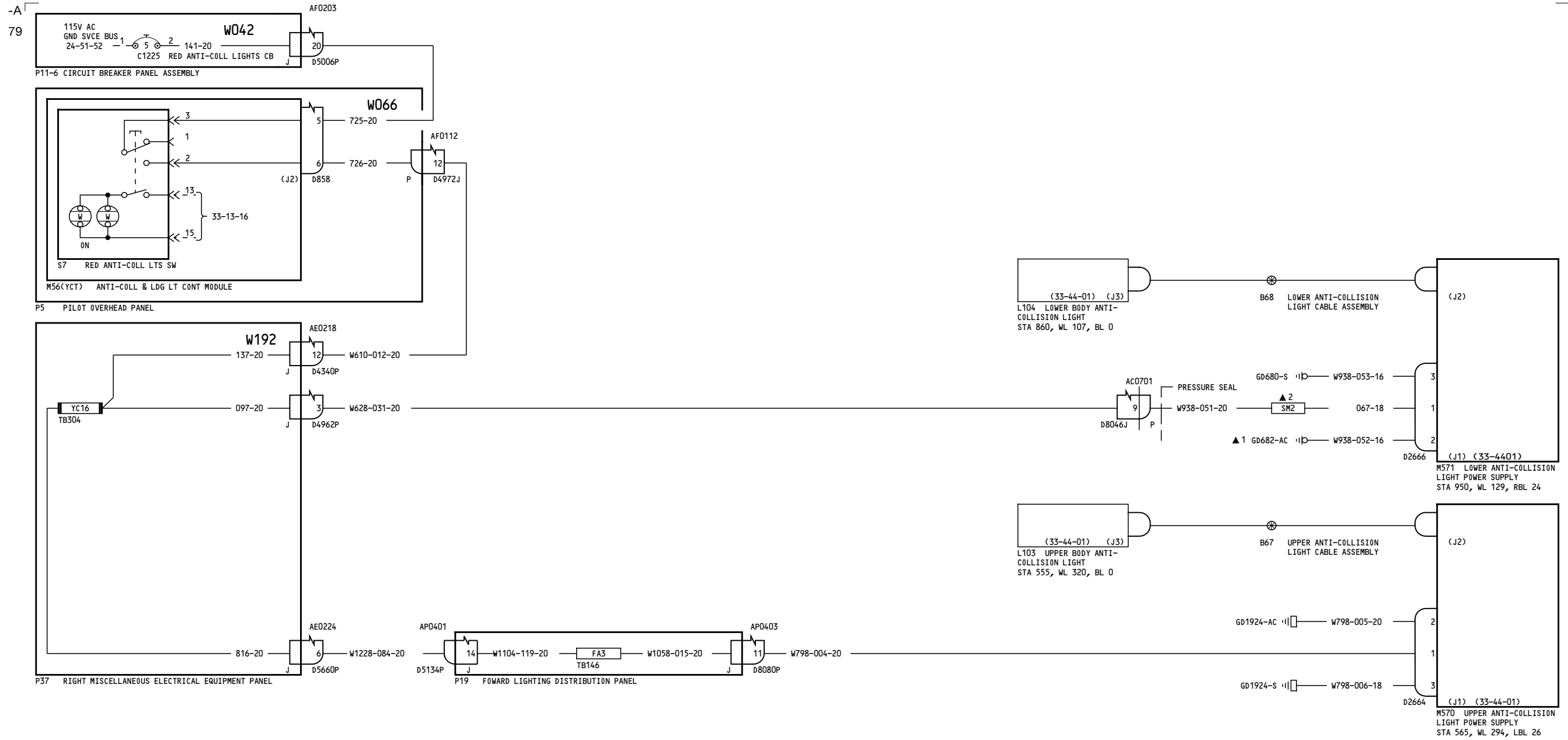
D280T132

Jan 21/2005

33-44-11

Page 1

Jan 21/2005



150-152

ANTI-COLLISION LIGHTS-BODY

33-44-11

Page 2.1

D280T132

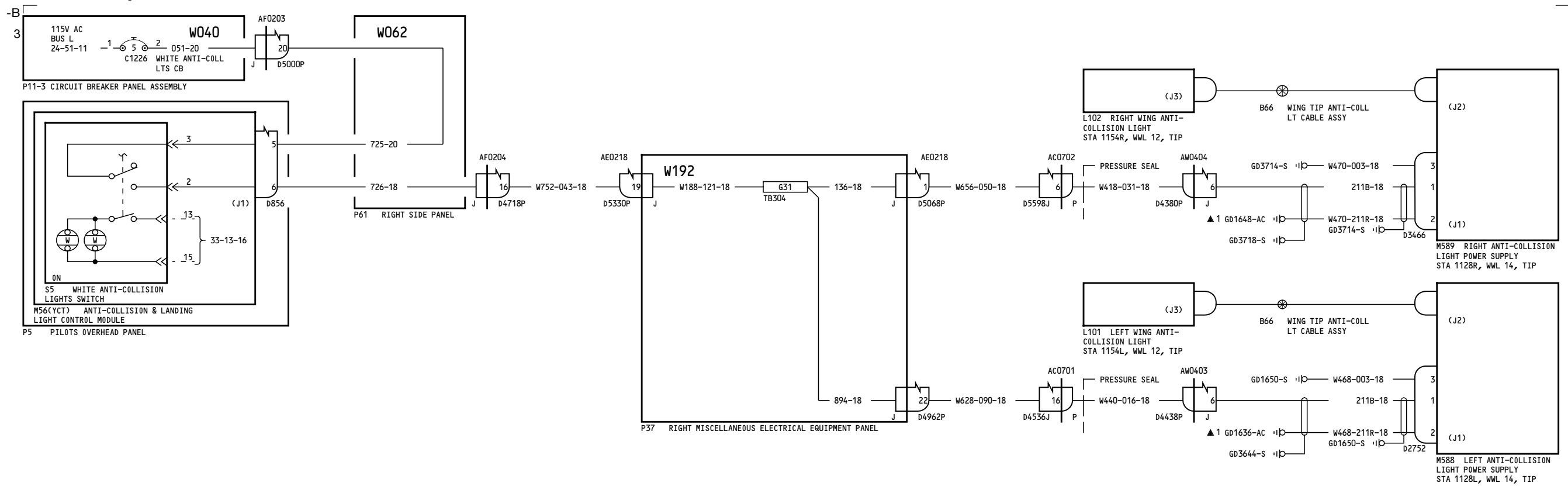
Jan 21/2005

Incorporates
▶ 33-0030

33-44-11

Page 2.1

Jan 21/2005



| | |
|-----|--------------------------------------------------------|
| ALL | ANTI-COLLISION LIGHTS- WING D280T132 |
|-----|--------------------------------------------------------|

33-44-21

Page 1

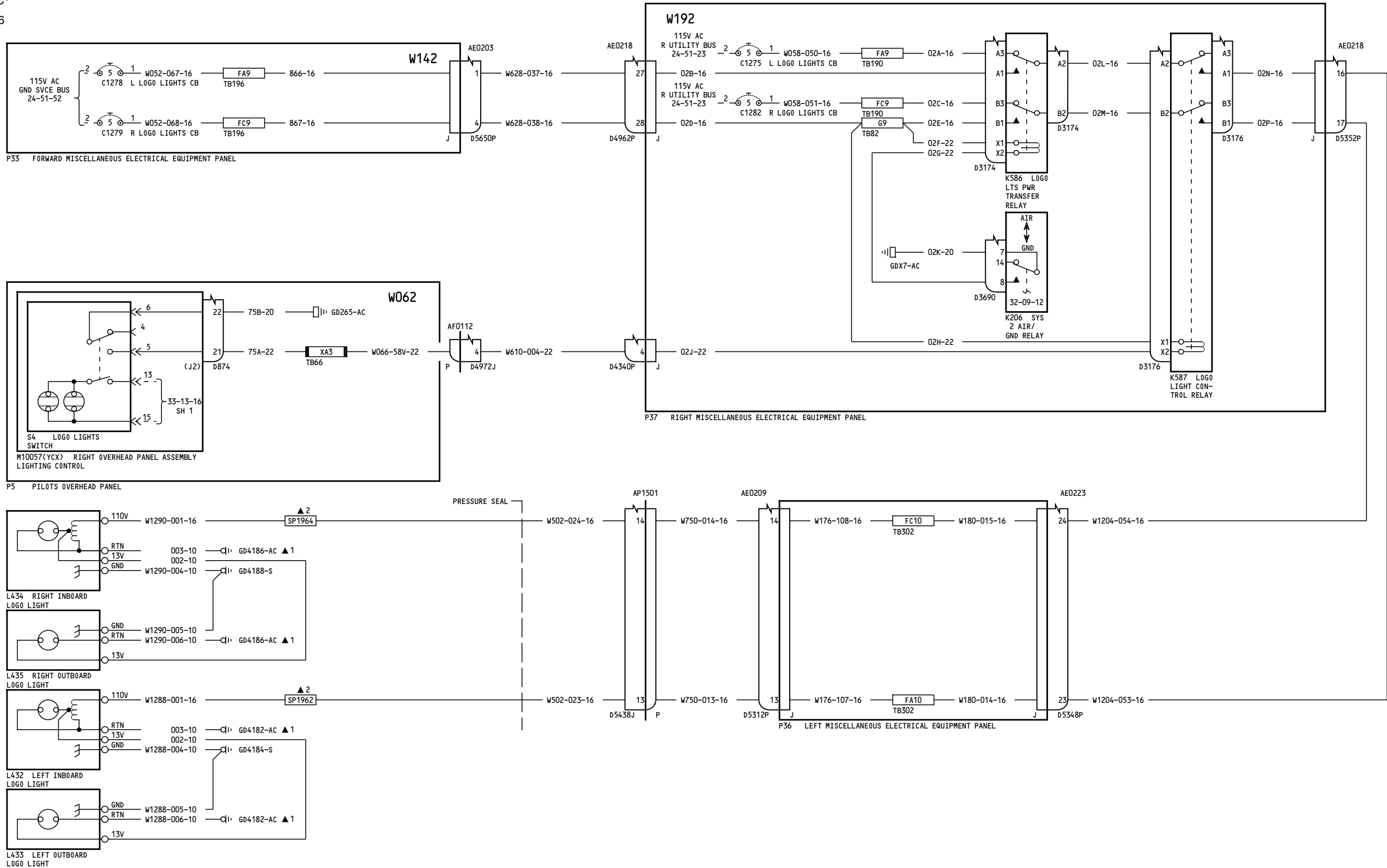
Jan 21/2005

33-44-21

Page 1

Jan 21/2005

-C
6



| | |
|-----|-------------|
| ALL | LOGO LIGHTS |
| | D280T132 |

33-45-11

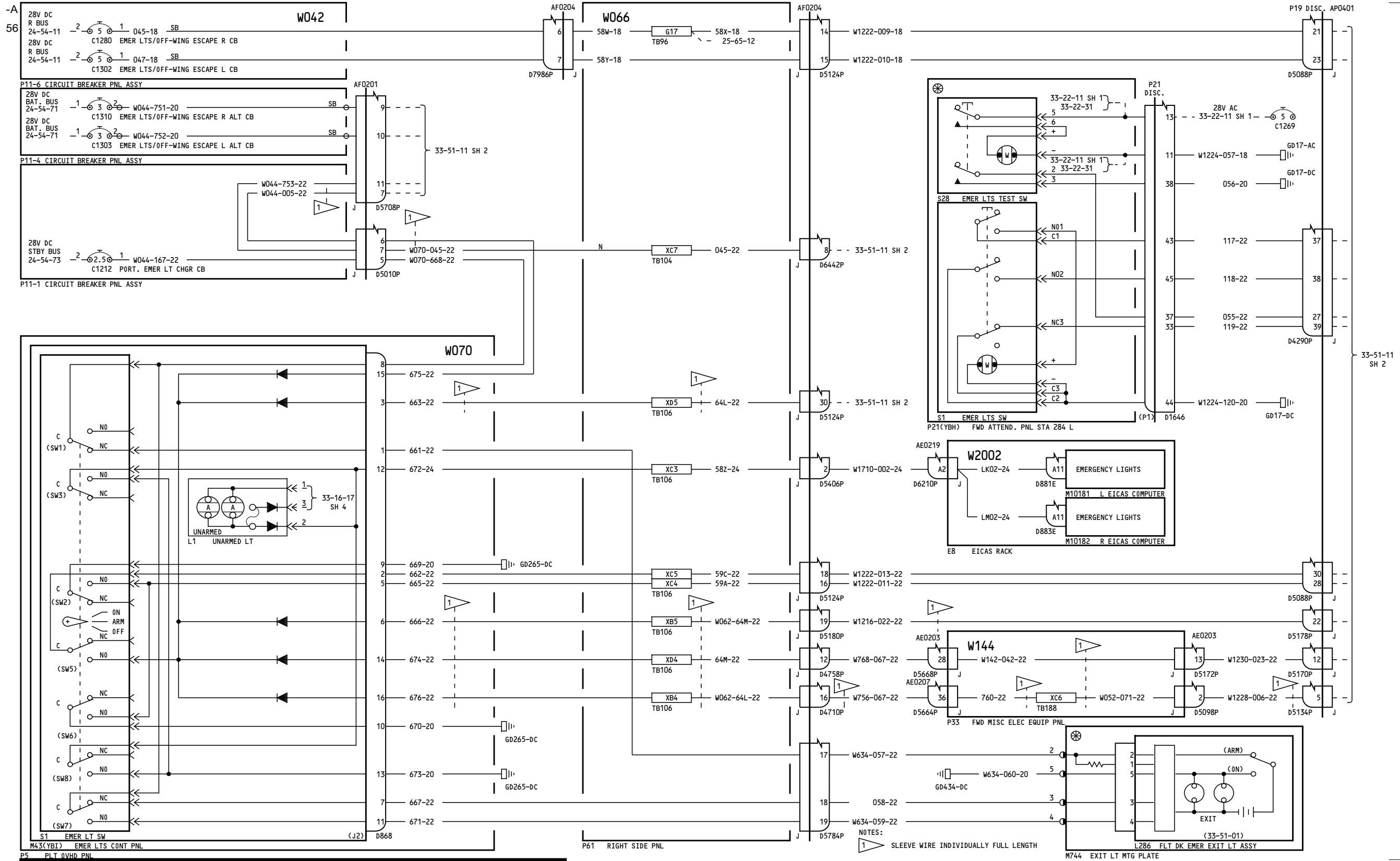
Page 1

Jan 21/2005

33-45-11

Page 1

Jan 21/2005

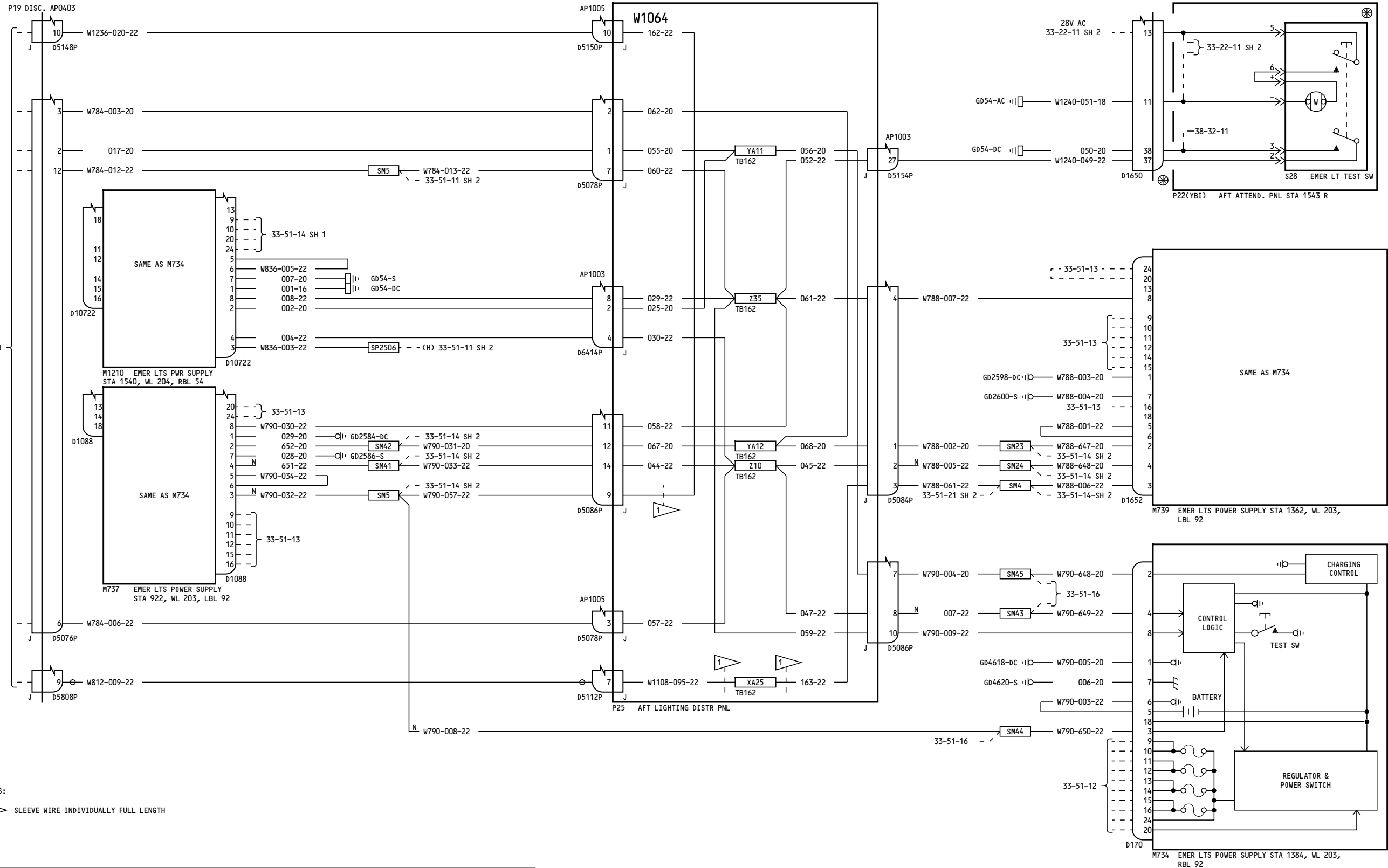


050-099
 P5 P1 T QVHD PNL
INTERIOR EMERGENCY LIGHTS CONTROL
 D280T132

33-51-11
 Page 1
 Sheet 1
 Jan 21/2005

33-51-11
 Page 1
 Sheet 1
 Jan 21/2005

56

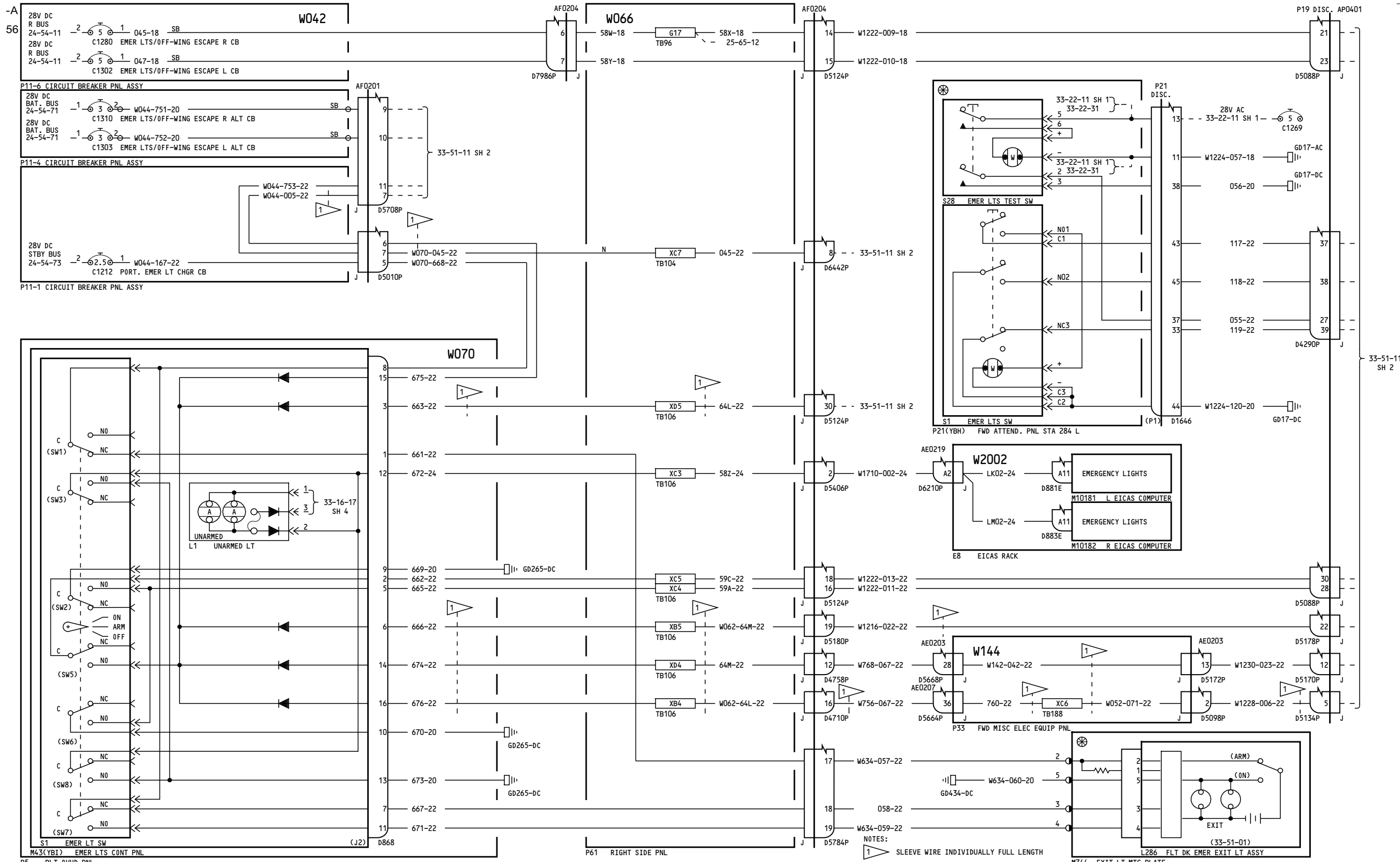


NOTES:
 SLEEVE WIRE INDIVIDUALLY FULL LENGTH

| | |
|---------|-------------------------------------------------------------------------------------------------------------------------------------|
| 050-099 | <p align="center">INTERIOR EMERGENCY LIGHTS CONTROL</p> <p align="center">33-51-11</p> <p align="center">D280T132</p> |
|---------|-------------------------------------------------------------------------------------------------------------------------------------|

Page 1
 Sheet 3
 Jan 21/2005

| | |
|--|----------------------------------------------------------------------------------------------------------|
| | <p align="center">33-51-11</p> <p align="center">Page 1 Sheet 3 Jan 21/2005</p> |
|--|----------------------------------------------------------------------------------------------------------|



050-051
 INTERIOR EMERGENCY LIGHTS CONTROL
 D280T132

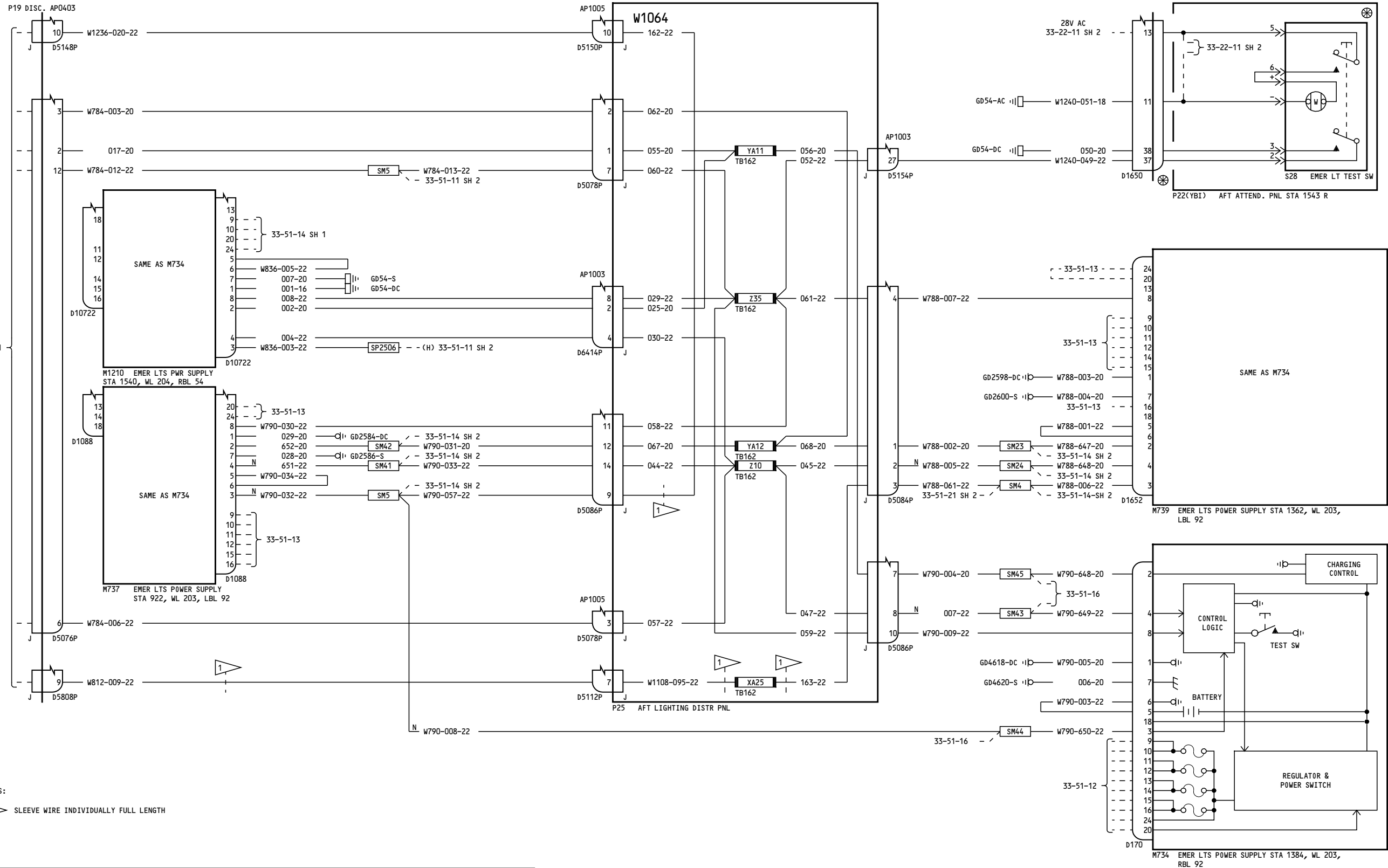
33-51-11

Page 1.1
Sheet 1
Jan 21/2005

33-51-11

Page 1.1
Sheet 1
Jan 21/2005

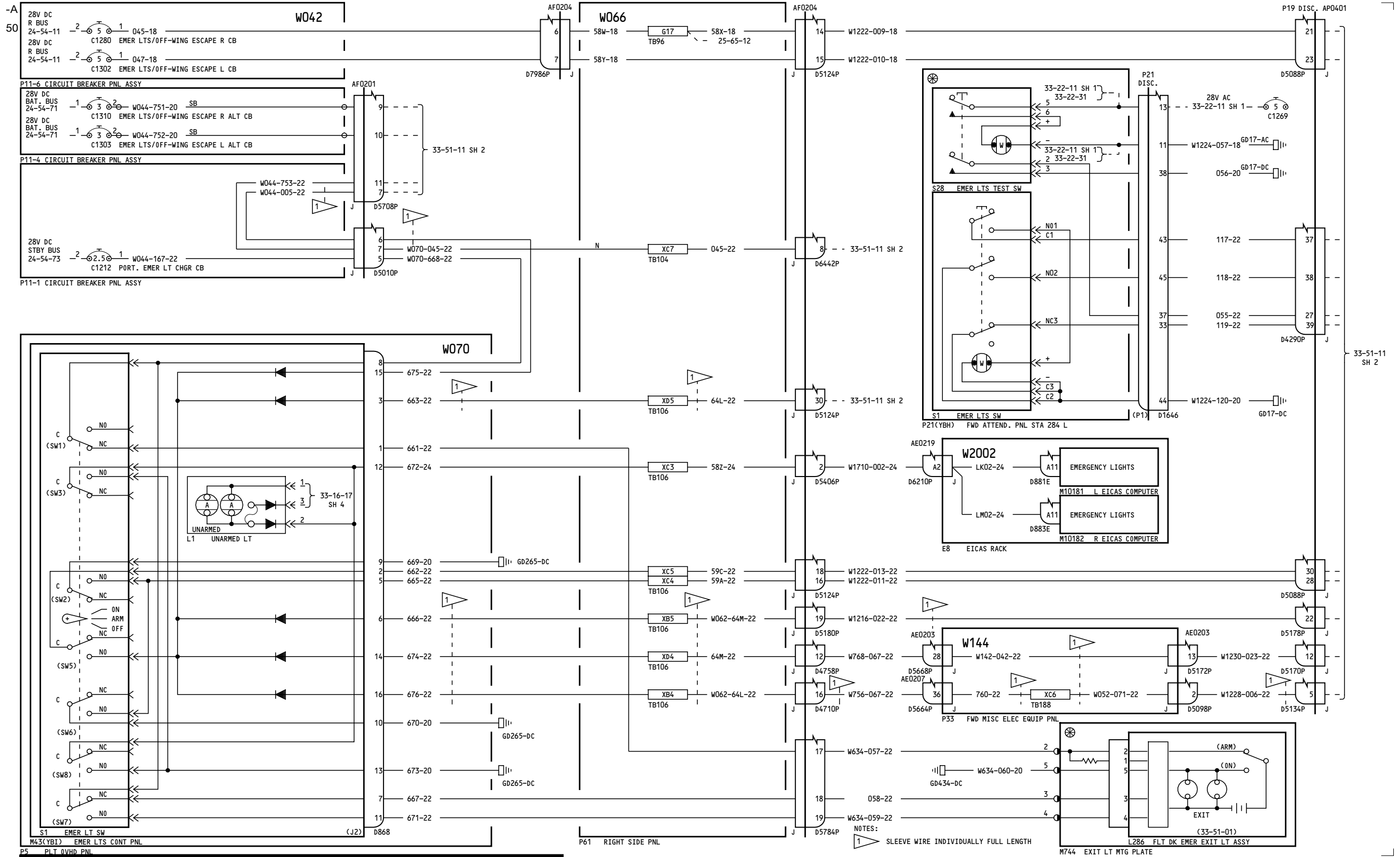
114



NOTES: 1 SLEEVE WIRE INDIVIDUALLY FULL LENGTH

| | |
|---------|------------------------------------------------------------------------------------------------------------------------------------------------------------------------------------------------|
| 050-051 | <p align="center">INTERIOR EMERGENCY LIGHTS CONTROL</p> <p align="center">33-51-11</p> <p align="center">Page 1.1 Sheet 3 Jan 21/2005</p> <p align="center">D280T132</p> |
|---------|------------------------------------------------------------------------------------------------------------------------------------------------------------------------------------------------|

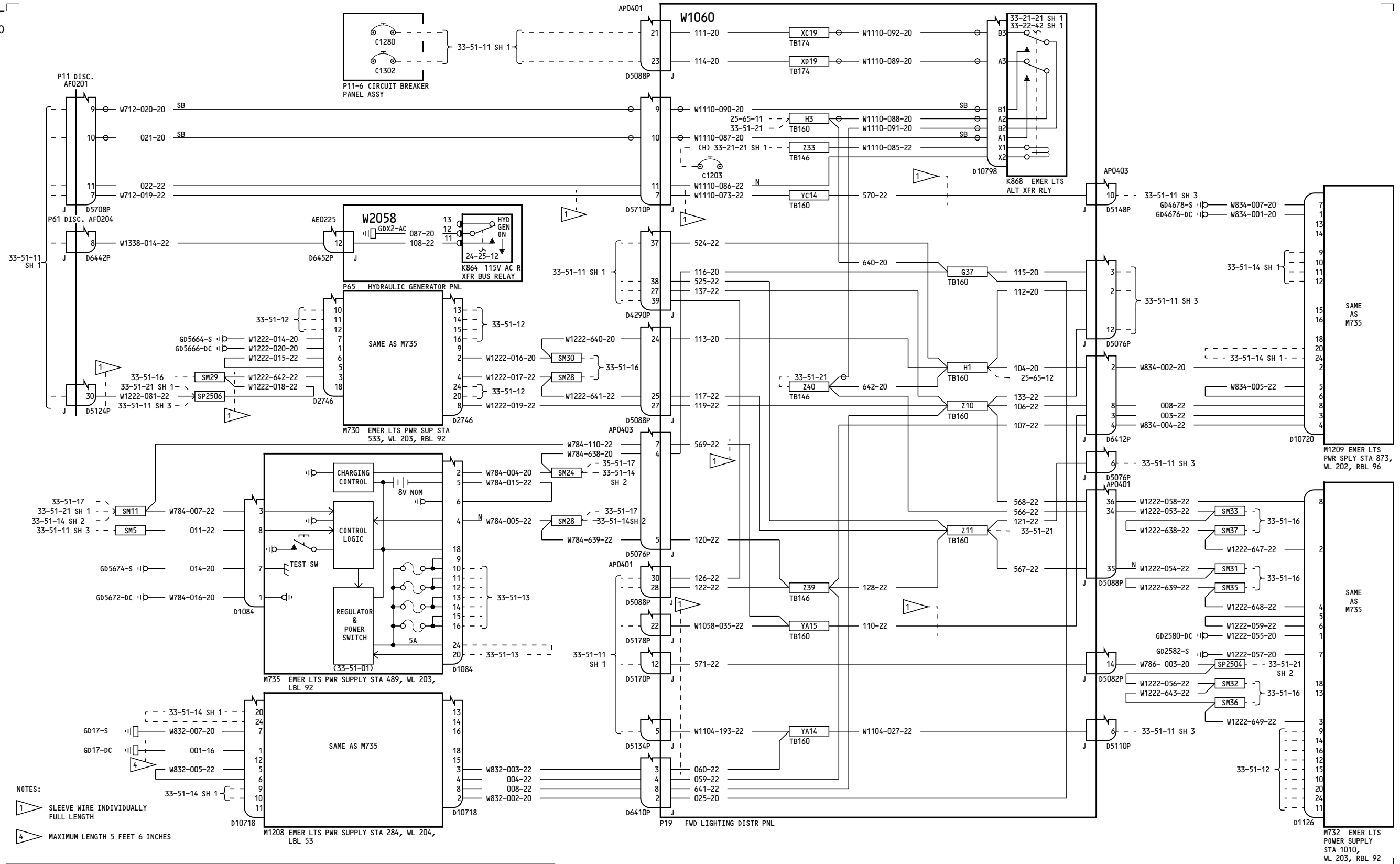
| | |
|------------------------------------------------|--------------------------------------------------------------------------------------------------|
| <p align="center">Incorporates 38-0037</p> | <p align="center">33-51-11</p> <p align="center">Page 1.1 Sheet 3 Jan 21/2005</p> |
|------------------------------------------------|--------------------------------------------------------------------------------------------------|



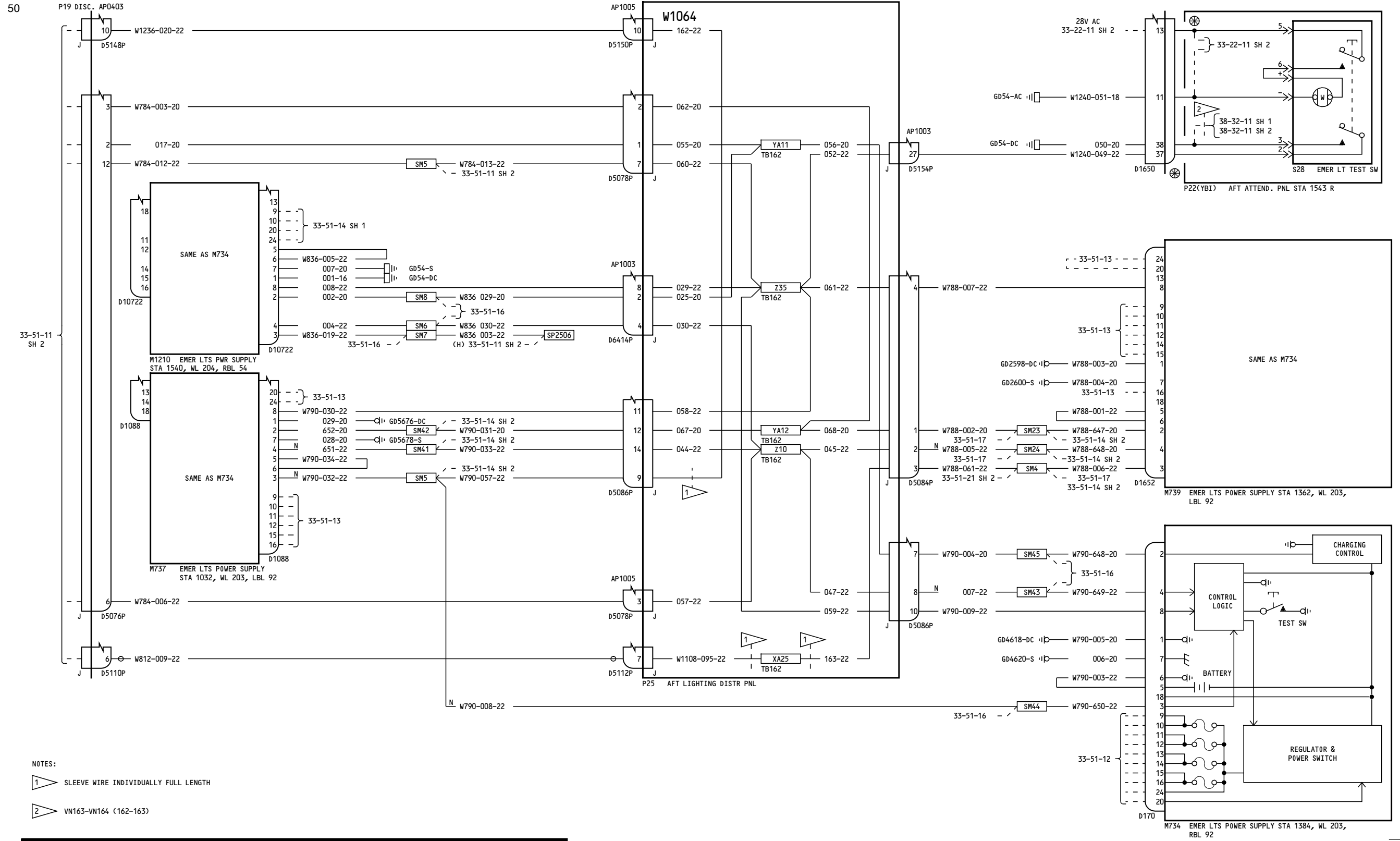
150-199
 INTERIOR EMERGENCY LIGHTS CONTROL
 D280T132

33-51-11
 Page 2
 Sheet 1
 Jan 21/2005

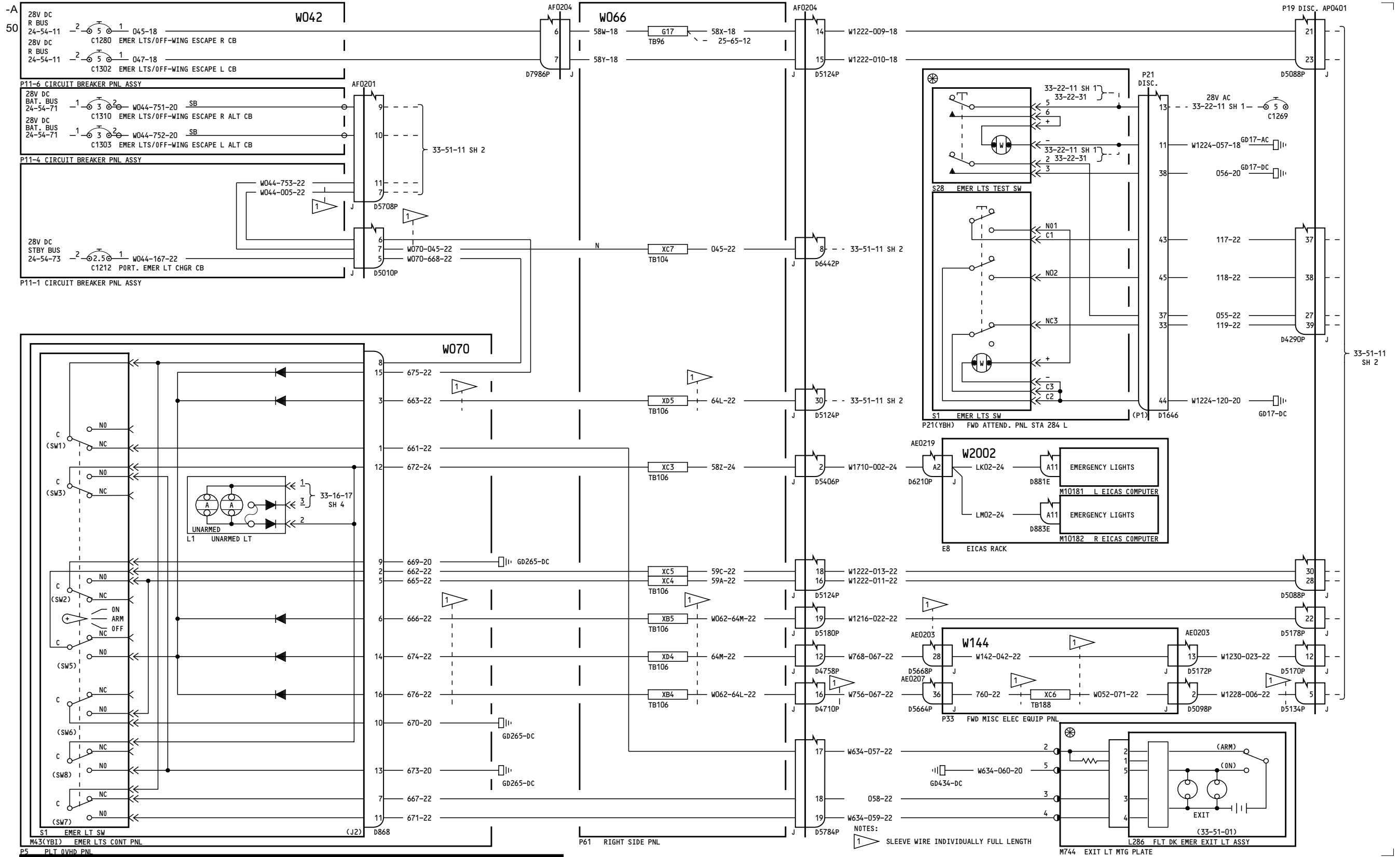
33-51-11
 Page 2
 Sheet 1
 Jan 21/2005



NOTES:
 1 SLEEVE WIRE INDIVIDUALLY FULL LENGTH
 4 MAXIMUM LENGTH 5 FEET 6 INCHES



NOTES:
 1 SLEEVE WIRE INDIVIDUALLY FULL LENGTH
 2 VN163-VN164 (162-163)



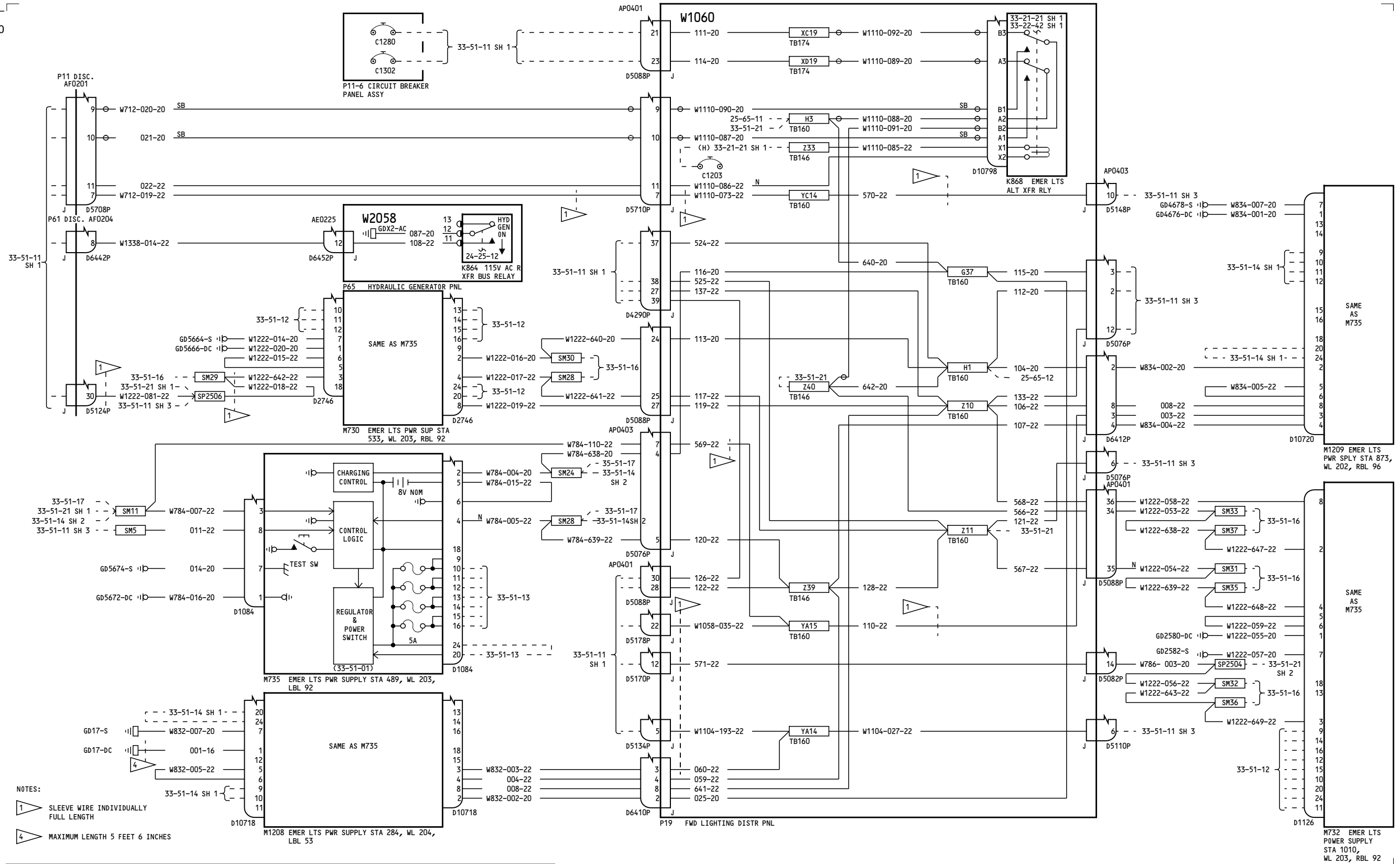
NOTES:
 1 SLEEVE WIRE INDIVIDUALLY FULL LENGTH

162-163
 162-163

INTERIOR EMERGENCY LIGHTS CONTROL
 D280T132

33-51-11
 Page 2.1
 Sheet 1
 Jan 21/2005

33-51-11
 Page 2.1
 Sheet 1
 Jan 21/2005



162-163

INTERIOR EMERGENCY LIGHTS CONTROL

33-51-11

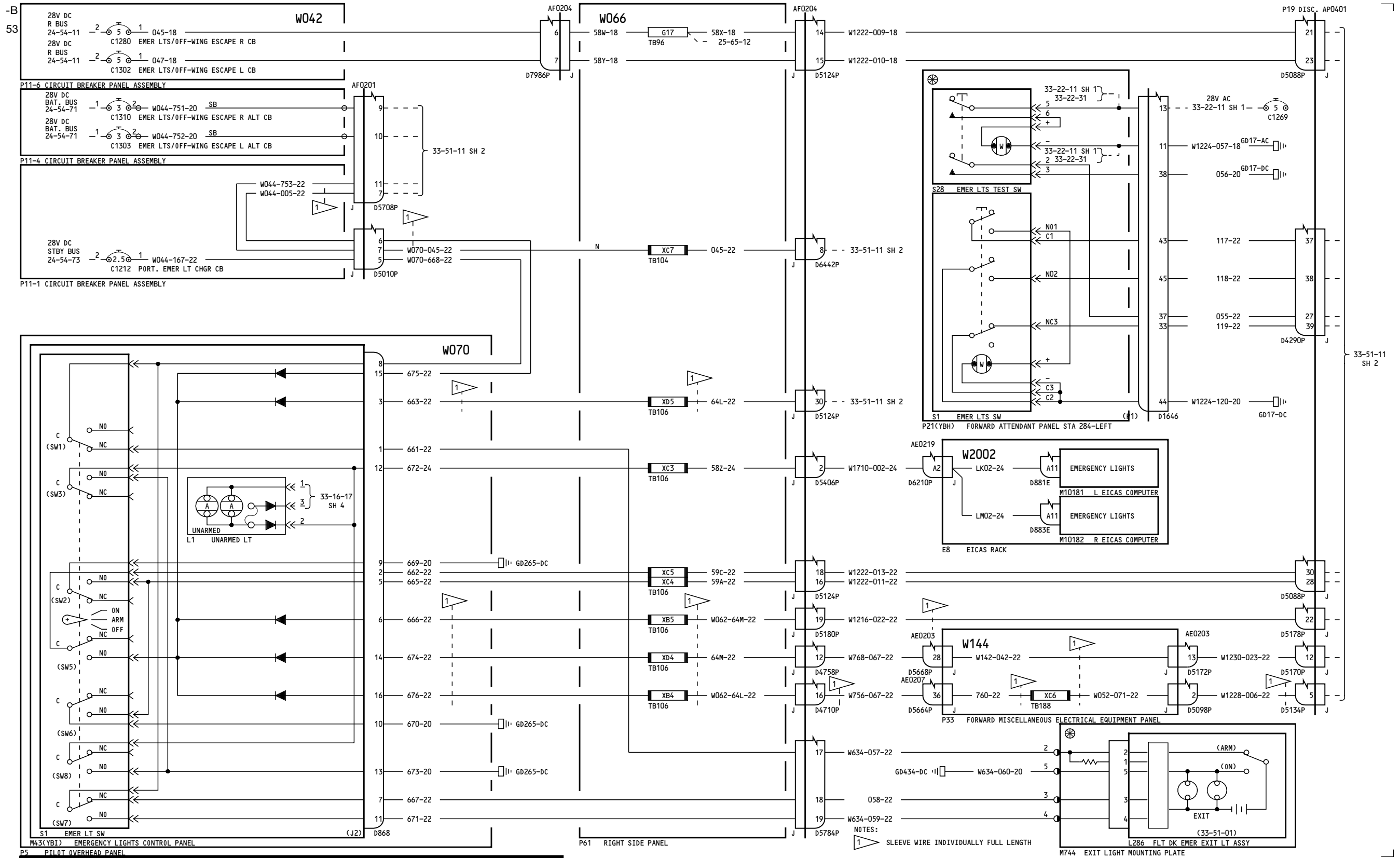
Page 2.1
Sheet 2
Jan 21/2005

D280T132

33-51-11

Page 2.1
Sheet 2
Jan 21/2005

BOEING PROPRIETARY - Copyright © - Unpublished Work - See title page for details.



275-299
 M43(YBI) EMERGENCY LIGHTS CONTROL PANEL
 P5 PILOT OVERHEAD PANEL

INTERIOR EMERGENCY LIGHTS CONTROL

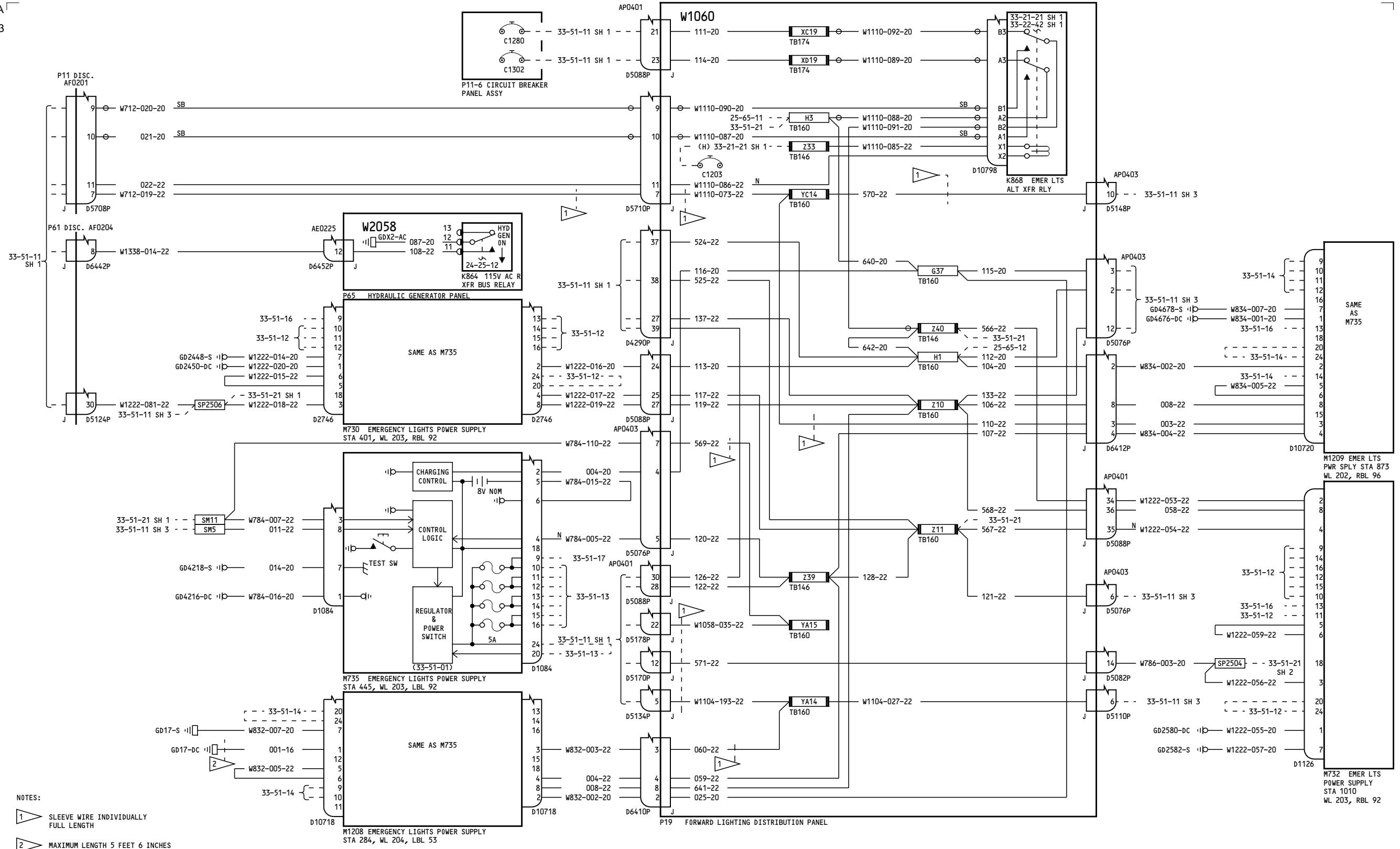
D280T132

33-51-11

Page 3
 Sheet 1
 Jan 21/2005

33-51-11

Page 3
 Sheet 1
 Jan 21/2005



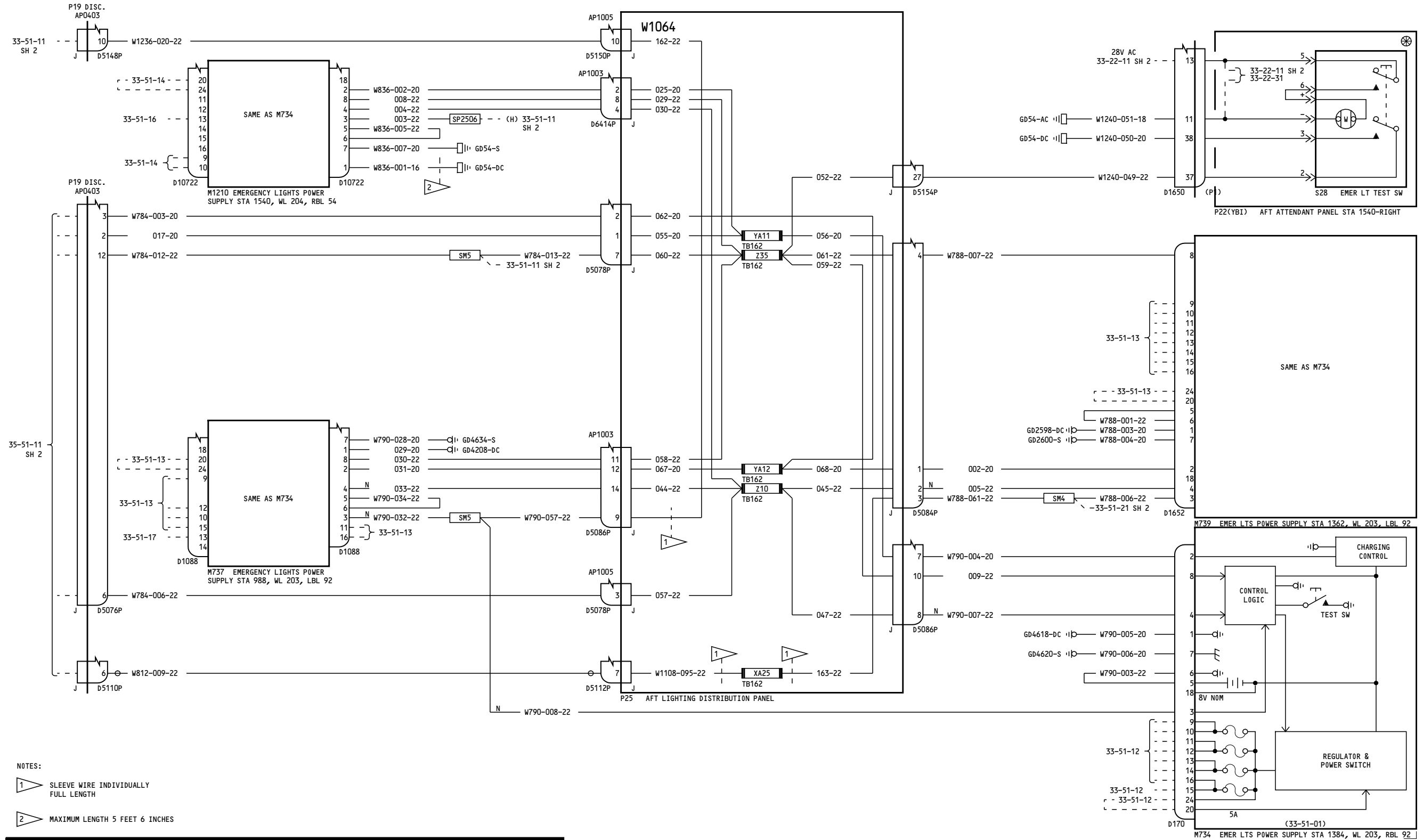
NOTES:
 1 SLEEVE WIRE INDIVIDUALLY FULL LENGTH
 2 MAXIMUM LENGTH 5 FEET 6 INCHES

725-299

INTERIOR EMERGENCY LIGHTS CONTROL
33-51-11
 Page 3
 Sheet 2
 Jan 21/2005
 D280T132

33-51-11
 Page 3
 Sheet 2
 Jan 21/2005

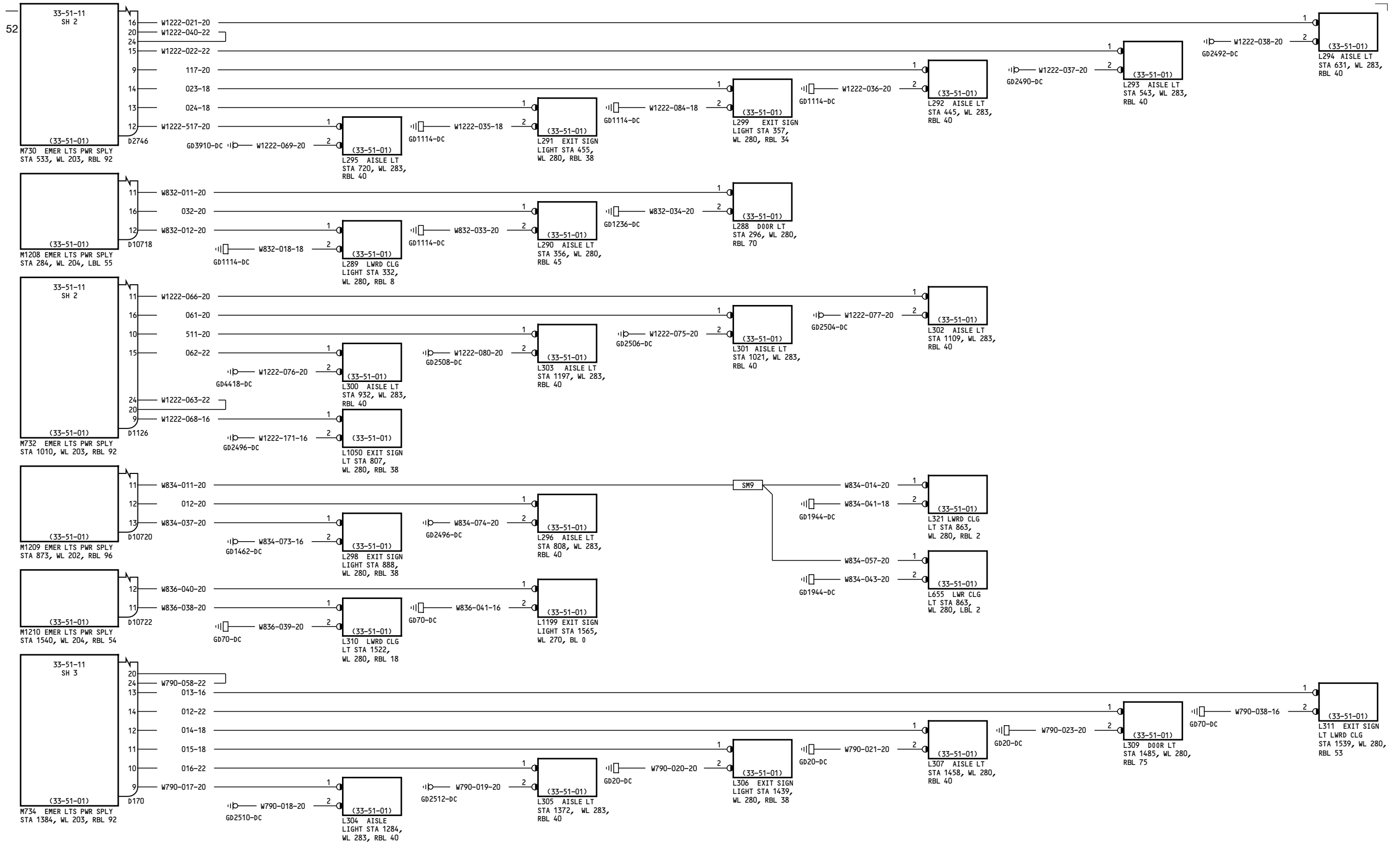
33-51-11
 Page 3
 Sheet 2
 Jan 21/2005



- NOTES:
- 1 SLEEVE WIRE INDIVIDUALLY FULL LENGTH
 - 2 MAXIMUM LENGTH 5 FEET 6 INCHES

| | |
|---------|-----------------------------------------------------------------------------------------------|
| 275-299 | <p align="center">INTERIOR EMERGENCY LIGHTS CONTROL</p> <p align="center">D280T132</p> |
|---------|-----------------------------------------------------------------------------------------------|

BOEING PROPRIETARY - Copyright © - Unpublished Work - See title page for details.



050-099

INTERIOR EMERGENCY LIGHTS RIGHT

33-51-12

Page 1

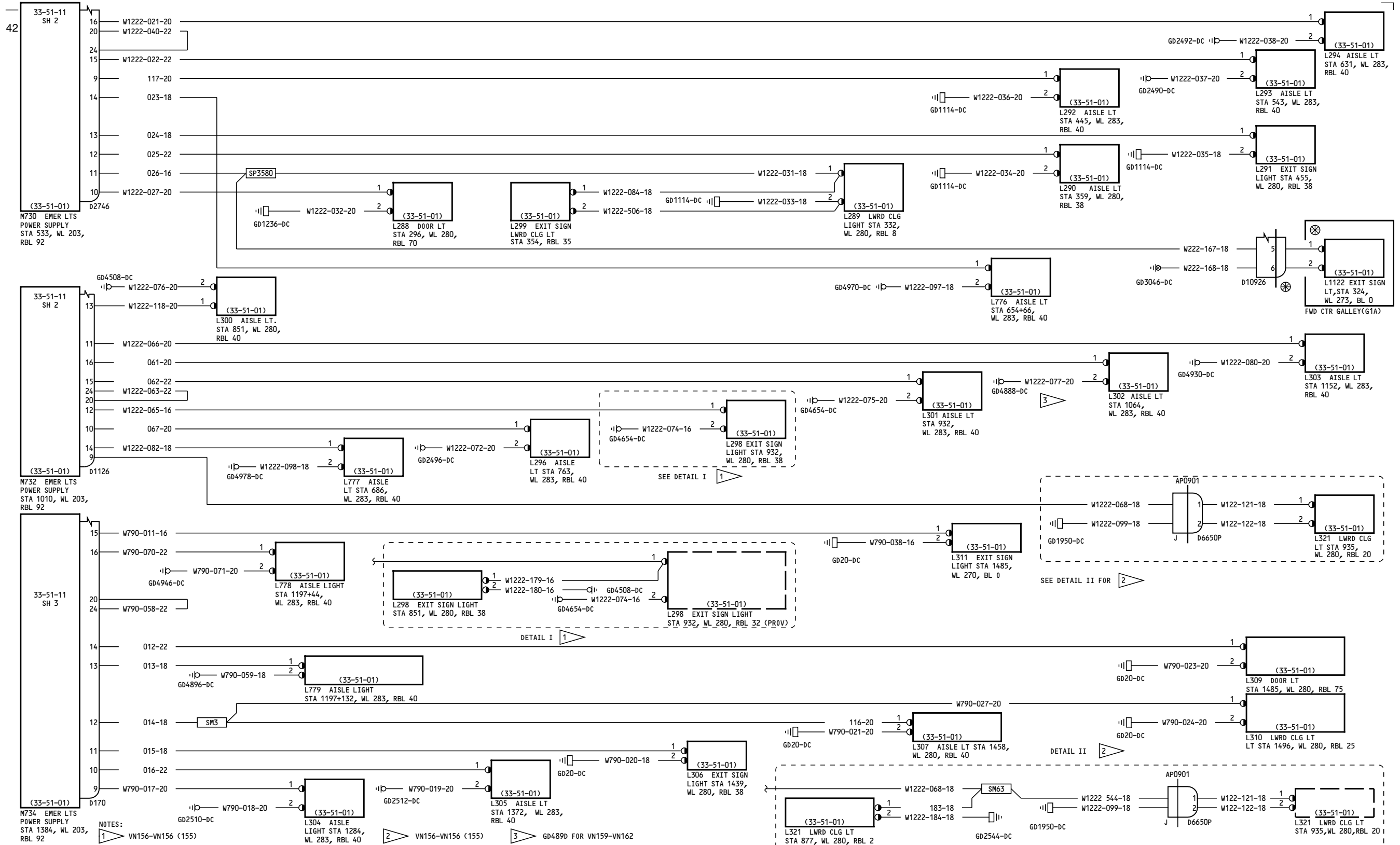
Jan 21/2005

D280T132

33-51-12

Page 1

Jan 21/2005



150-156

INTERIOR EMERGENCY LIGHTS RIGHT

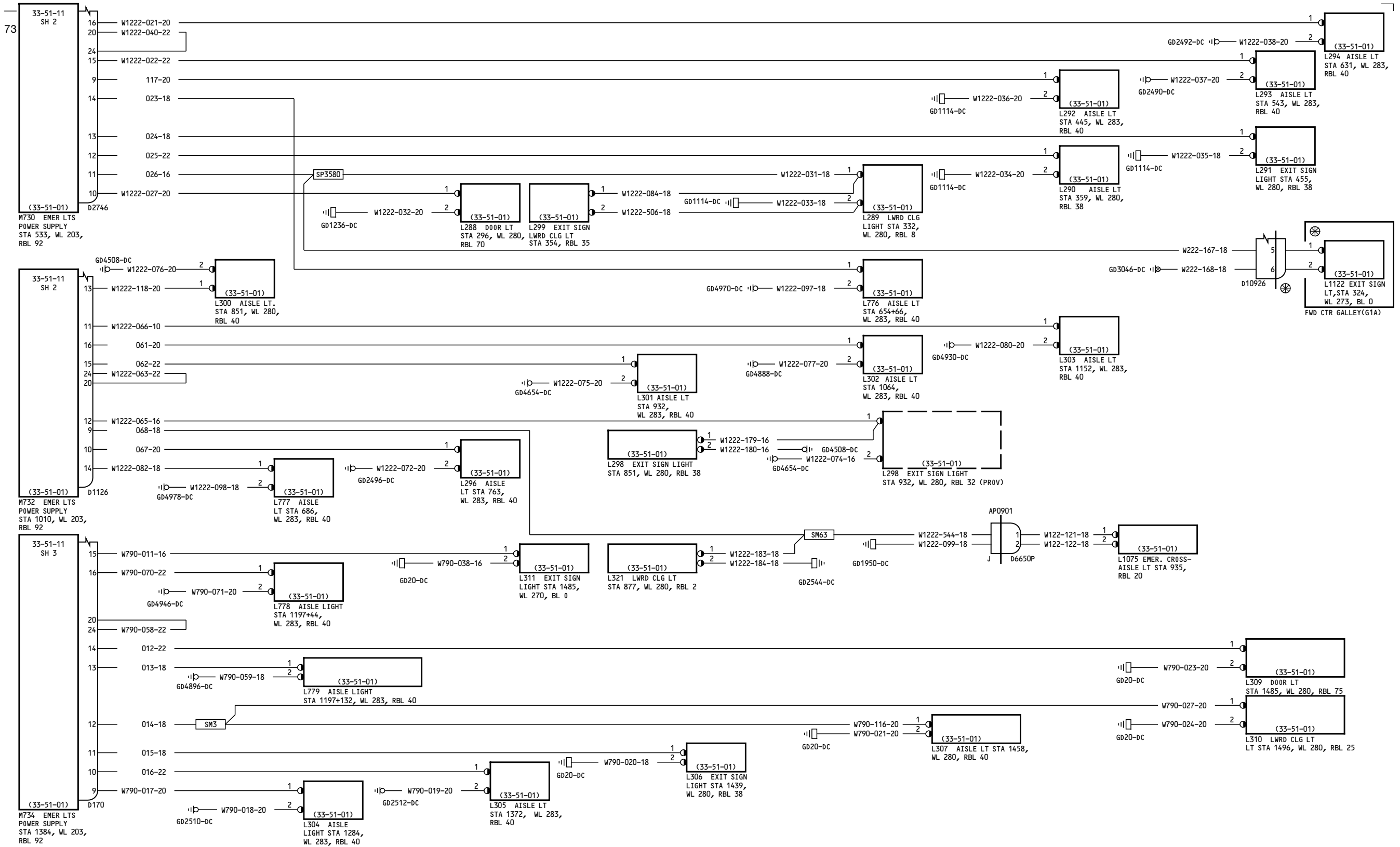
D280T132

33-51-12

Page 2

Jan 21/2005

BOEING PROPRIETARY - Copyright © - Unpublished Work - See title page for details.



157

**INTERIOR EMERGENCY LIGHTS
RIGHT**

D280T132

33-51-12

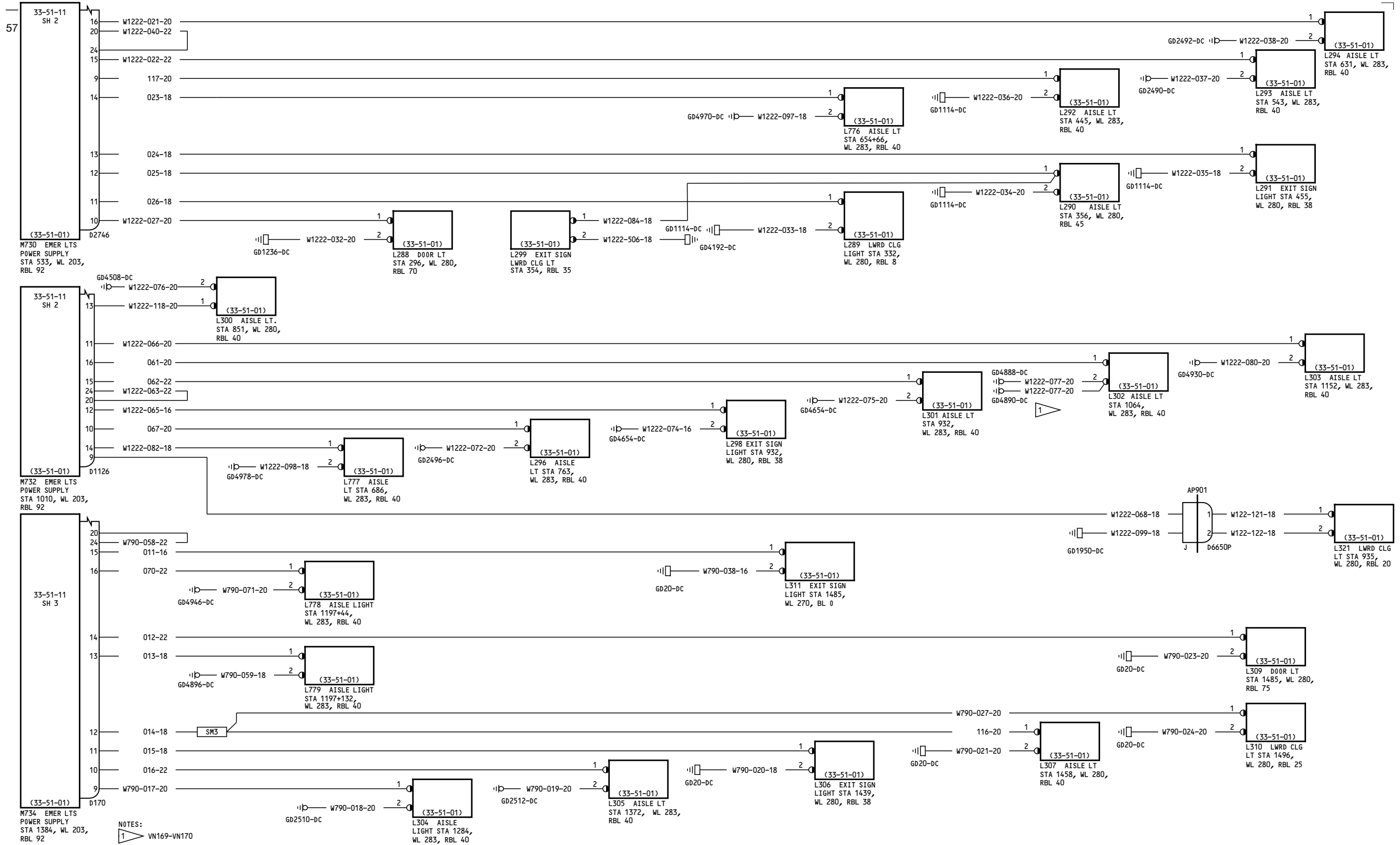
Page 3

Jan 21/2005

33-51-12

Page 3

Jan 21/2005



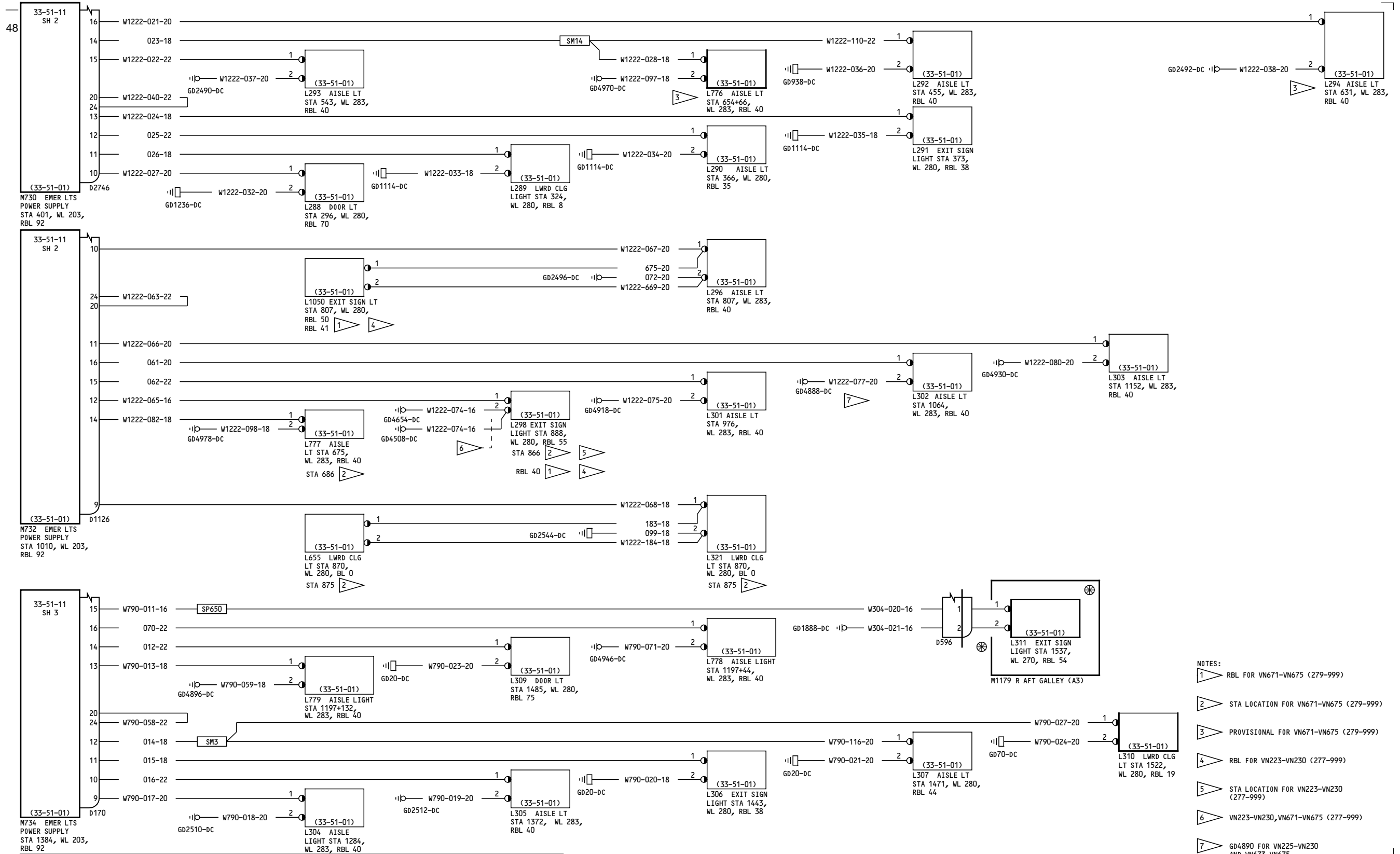
162-199

INTERIOR EMERGENCY LIGHTS RIGHT

D280T132

33-51-12

33-51-12



- NOTES:
- 1 RBL FOR VN671-VN675 (279-999)
 - 2 STA LOCATION FOR VN671-VN675 (279-999)
 - 3 PROVISIONAL FOR VN671-VN675 (279-999)
 - 4 RBL FOR VN223-VN230 (277-999)
 - 5 STA LOCATION FOR VN223-VN230 (277-999)
 - 6 VN223-VN230, VN671-VN675 (277-999)
 - 7 GD4890 FOR VN223-VN230 AND VN673-VN675

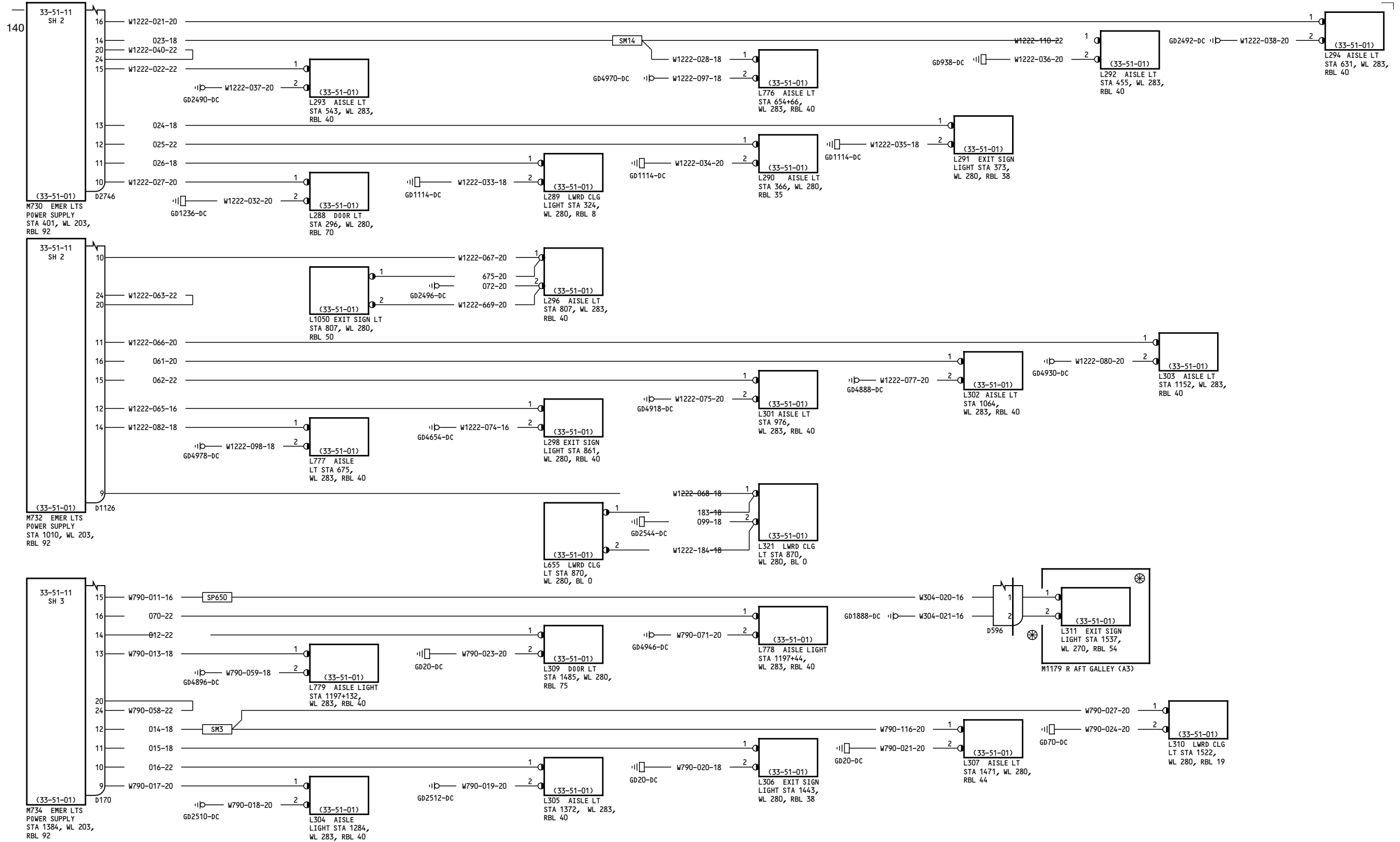
275-299

INTERIOR EMERGENCY LIGHTS RIGHT

D280T132

33-51-12

33-51-12



275-276

INTERIOR EMERGENCY LIGHTS RIGHT

D280T132

33-51-12

Page 5.1

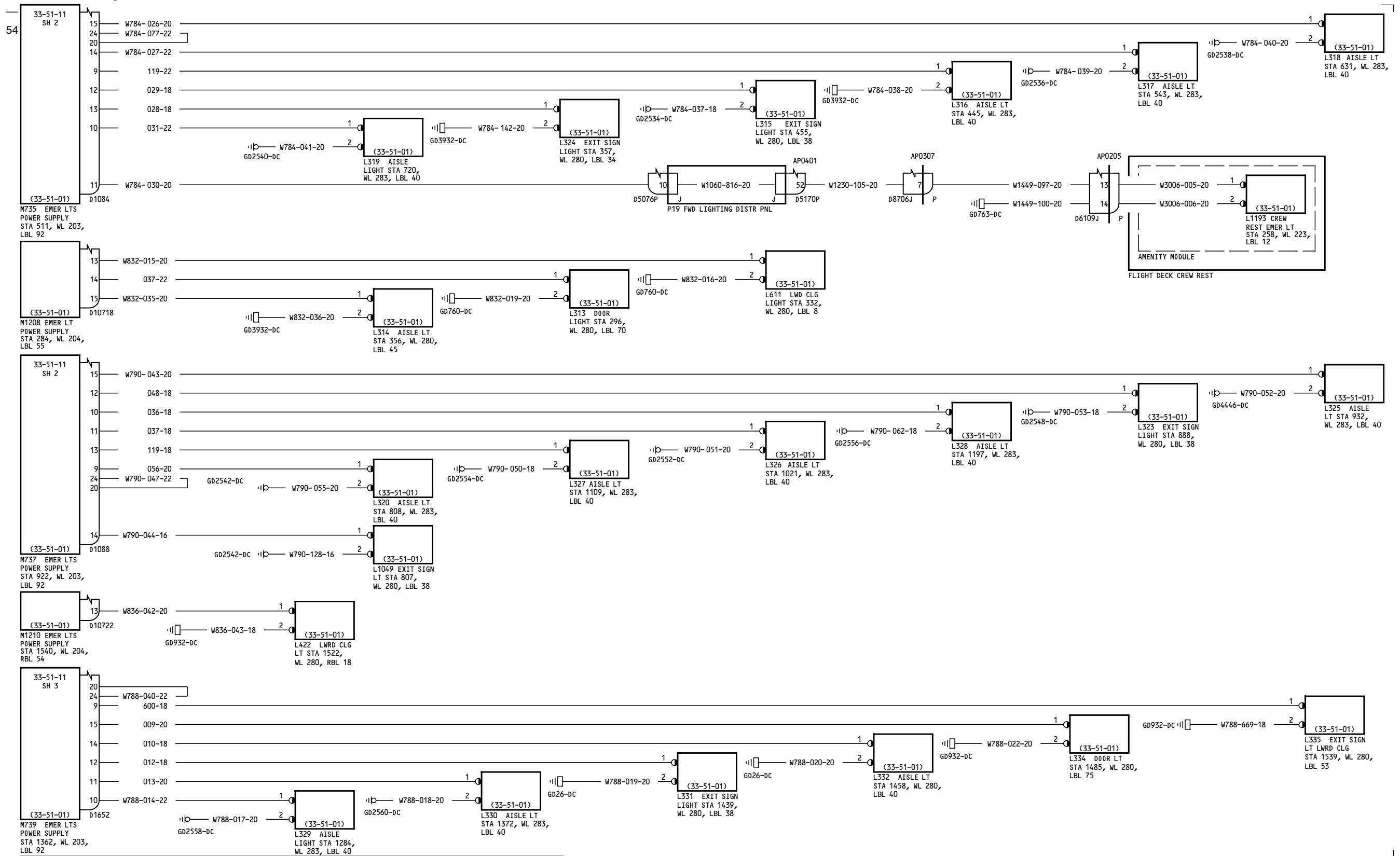
Jan 21/2005

Incorporates
33-0042

33-51-12

Page 5.1

Jan 21/2005



050-099

INTERIOR EMERGENCY LIGHTS LEFT

D280T132

33-51-13

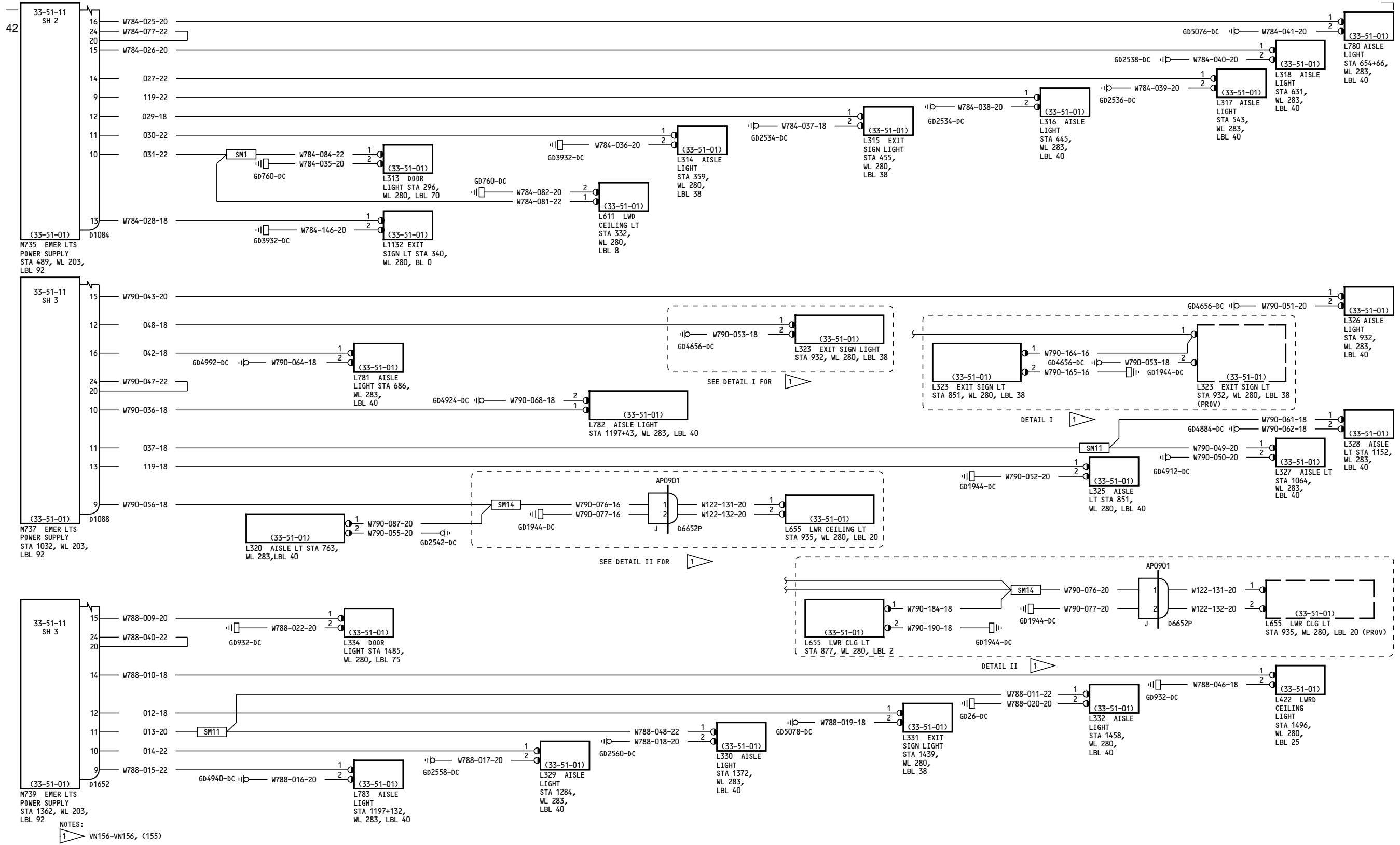
Page 1

Jan 21/2005

33-51-13

Page 1

Jan 21/2005



150-156

INTERIOR EMERGENCY LIGHTS LEFT

33-51-13

Page 2

Jan 21/2005

D280T132

33-51-13

Page 2

Jan 21/2005

33-51-13

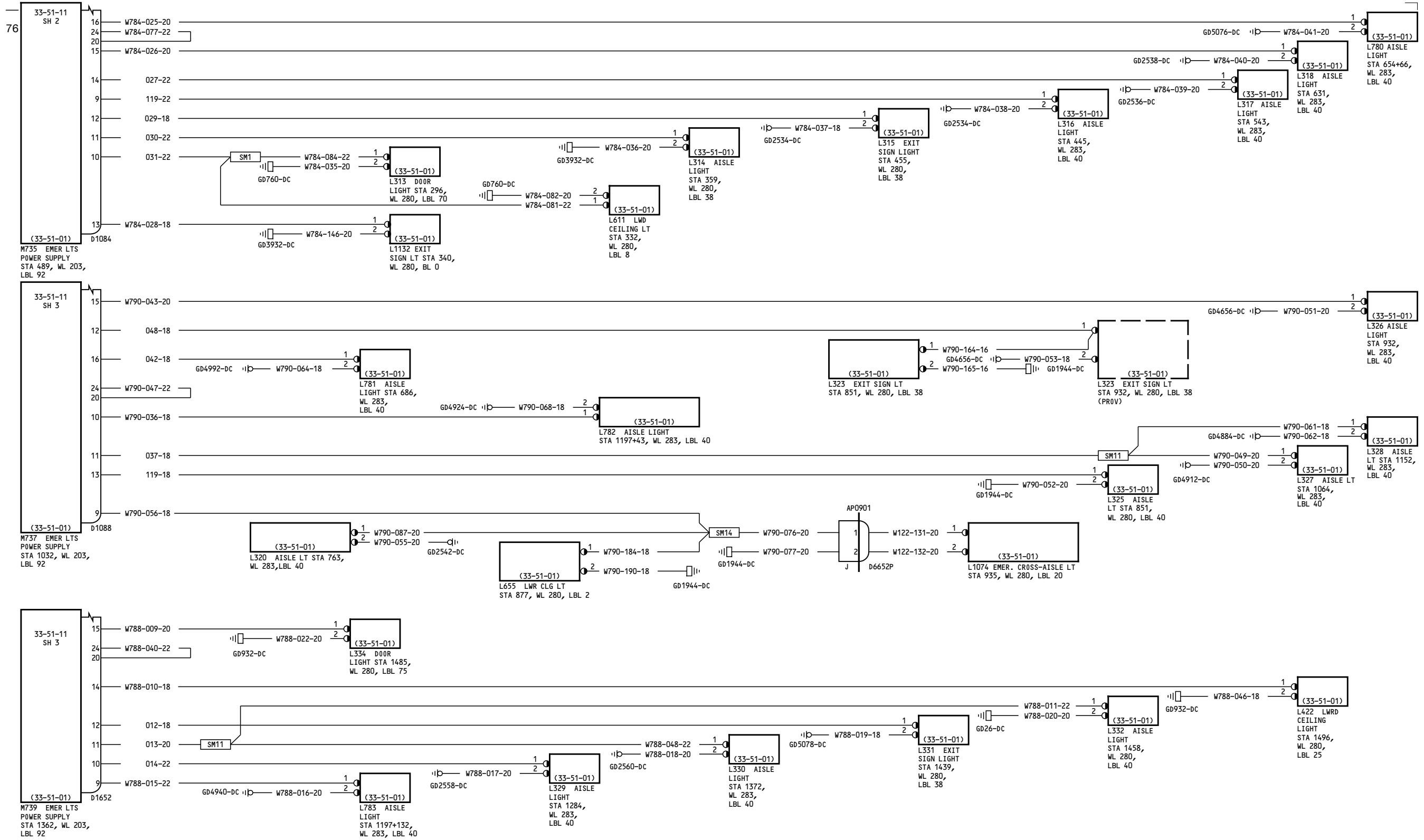
Page 2

Jan 21/2005

33-51-13

Page 2

Jan 21/2005



157

INTERIOR EMERGENCY LIGHTS LEFT

33-51-13

Page 3

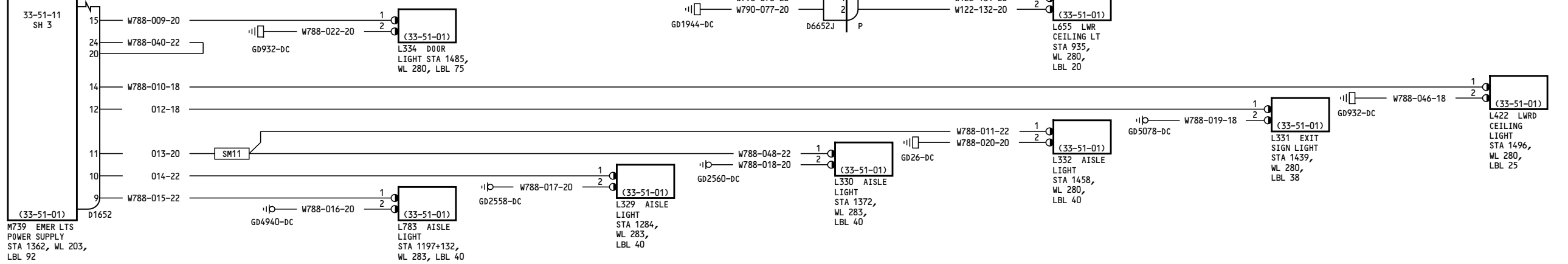
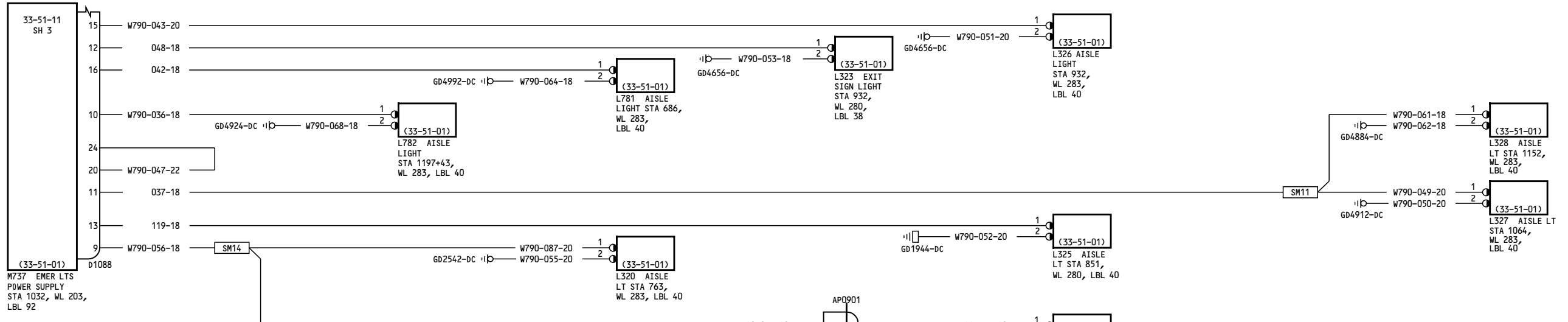
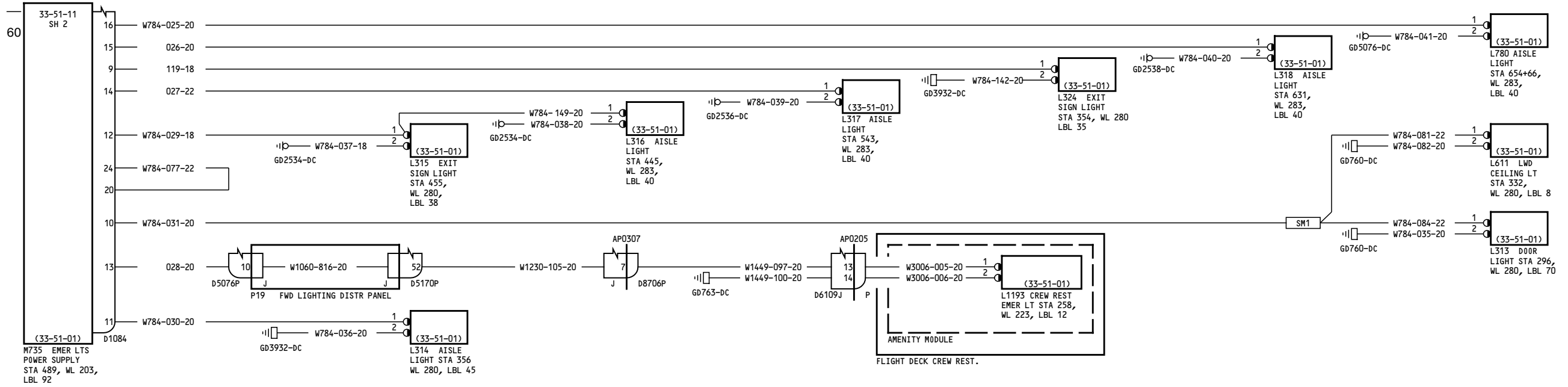
Jan 21/2005

D280T132

33-51-13

Page 3

Jan 21/2005



162-199

INTERIOR EMERGENCY LIGHTS LEFT

33-51-13

Page 4

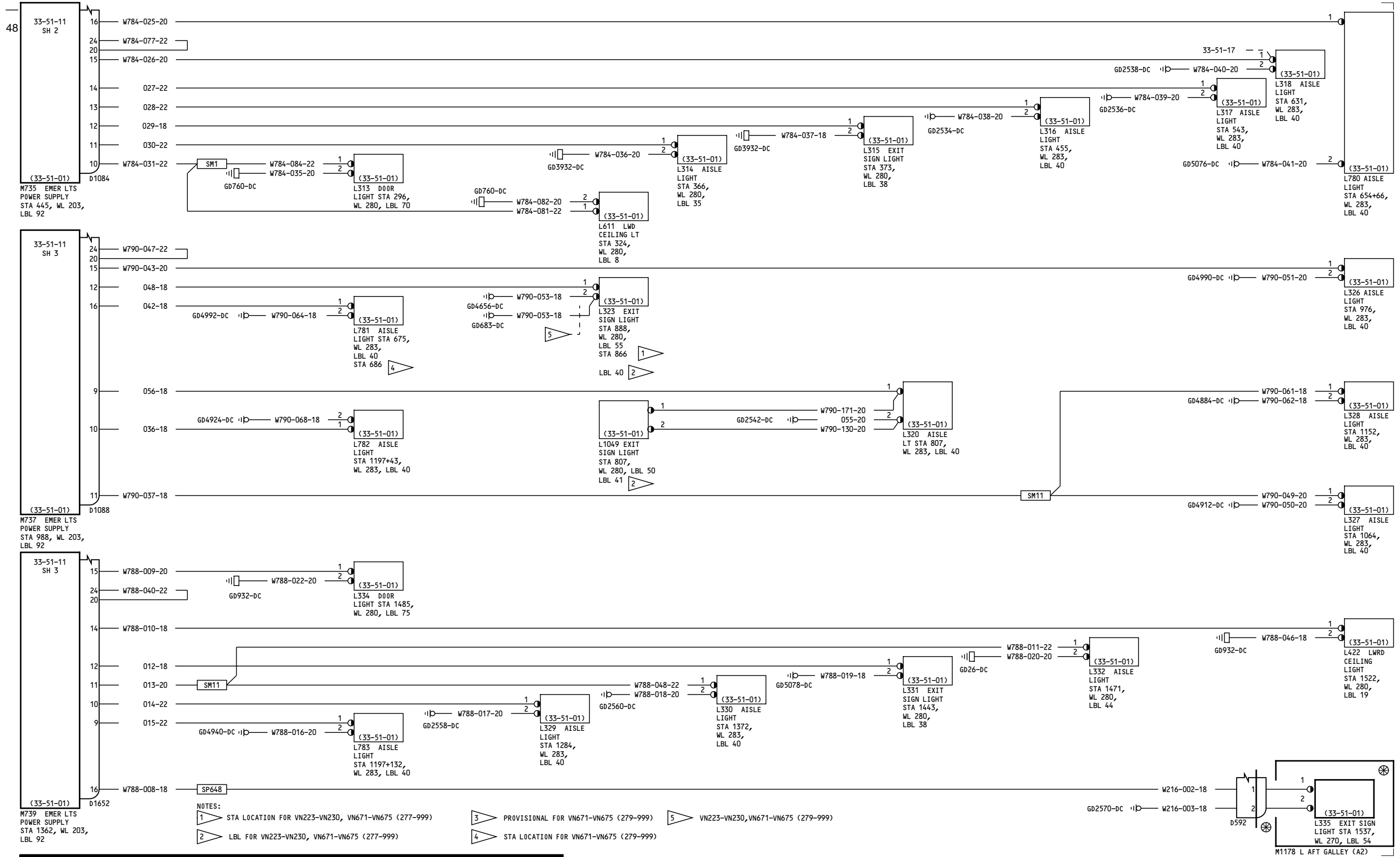
Jan 21/2005

D280T132

33-51-13

Page 4

Jan 21/2005



275-299

INTERIOR EMERGENCY LIGHTS LEFT

33-51-13

Page 5

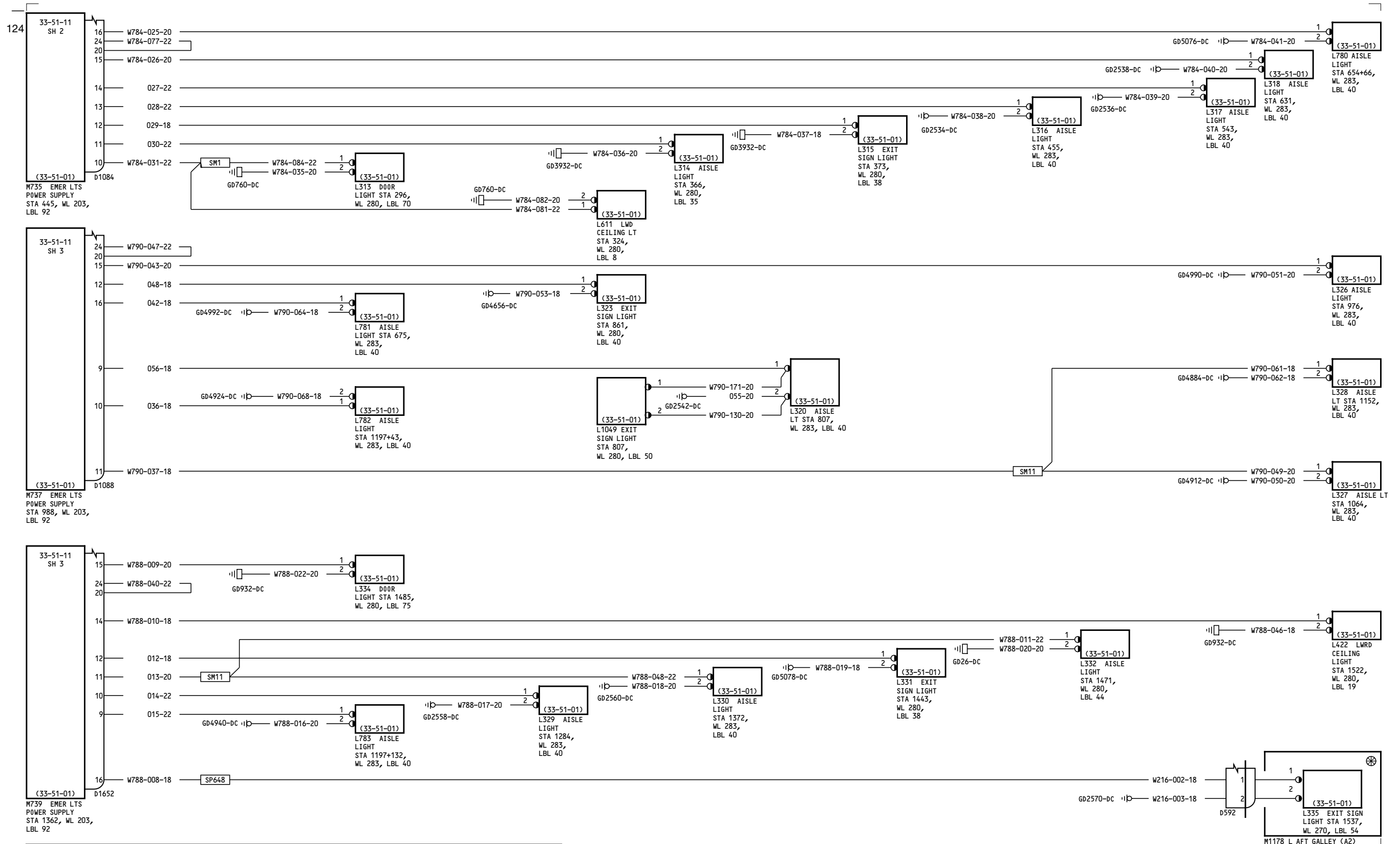
Jan 21/2005

D280T132

33-51-13

Page 5

Jan 21/2005



275-276

INTERIOR EMERGENCY LIGHTS LEFT

33-51-13

Page 5.1

Jan 21/2005

D280T132

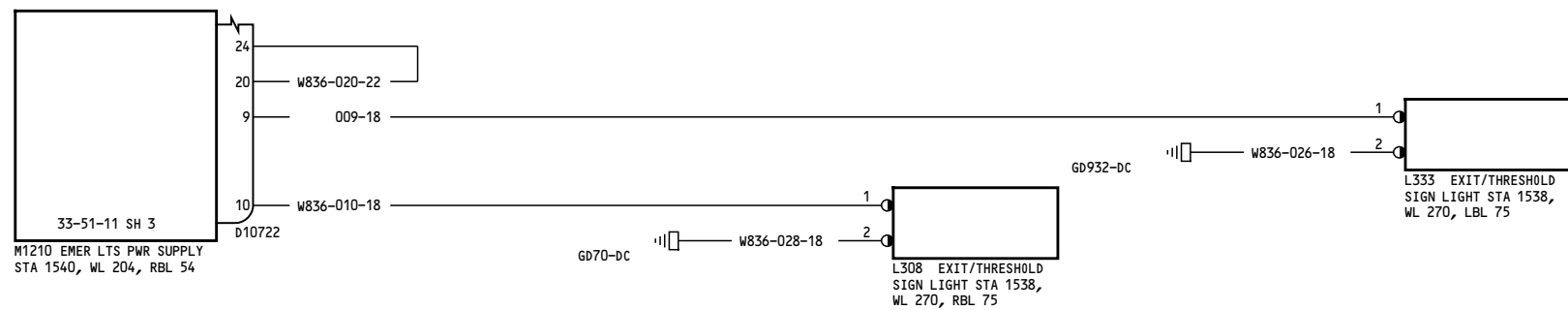
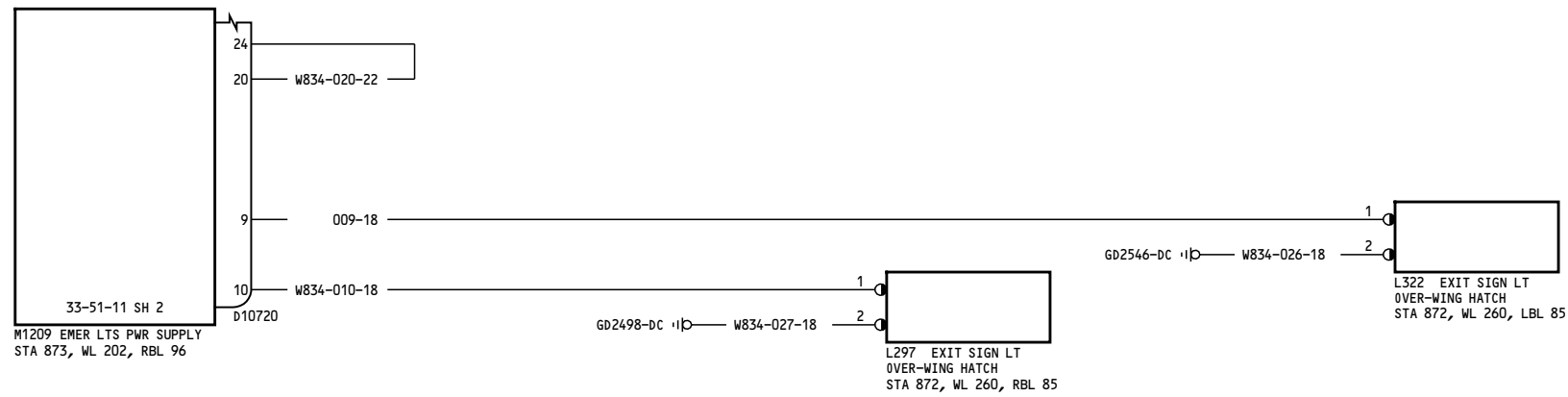
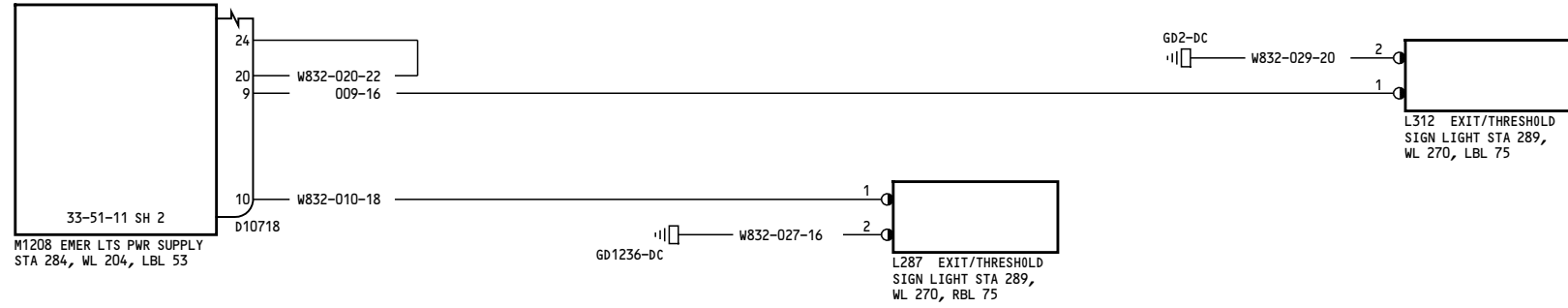
Incorporates
33-0042

33-51-13

Page 5.1

Jan 21/2005

28



050-099

INTERIOR EMERGENCY LIGHTS
EXIT SIGNS

33-51-14

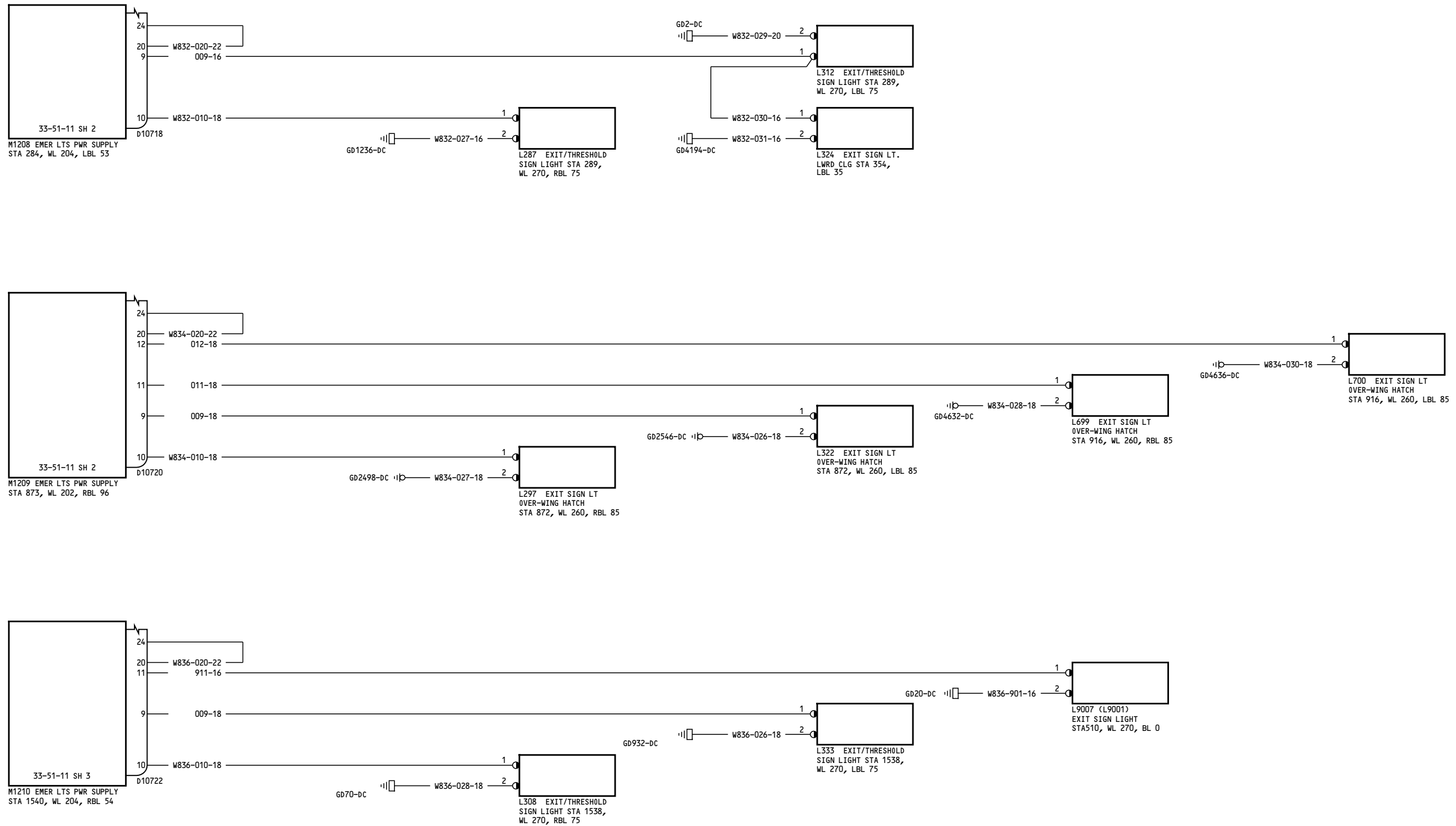
Page 1
Sheet 1
Jan 21/2005

D280T132

33-51-14

Page 1
Sheet 1
Jan 21/2005

162



150, 152-157

**INTERIOR EMERGENCY LIGHTS
EXIT SIGNS**

D280T132

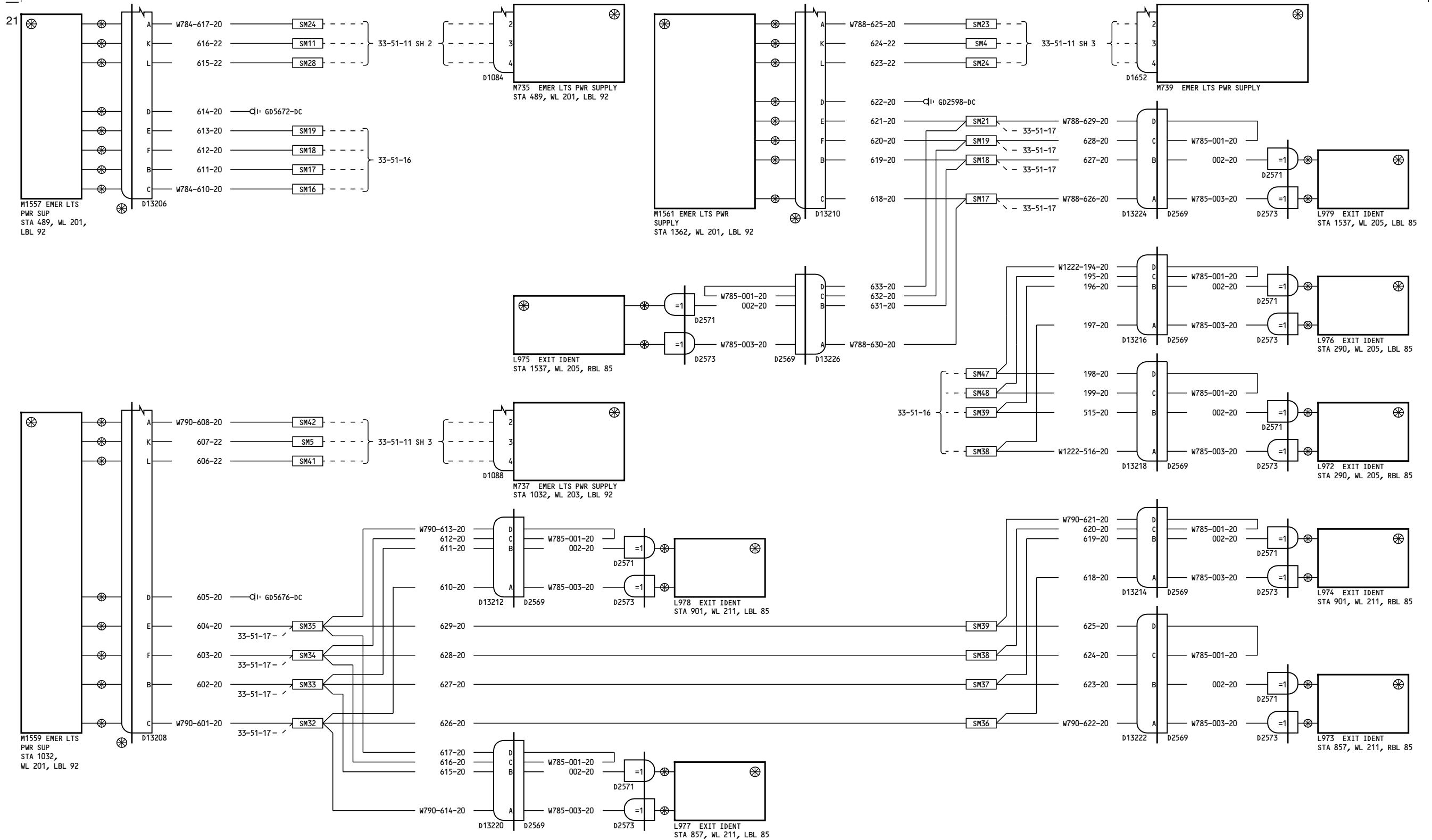
33-51-14

Page 2A
Sheet 1
Jan 21/2005

Incorporates
PR 00113

33-51-14

Page 2A
Sheet 1
Jan 21/2005



150, 152-157

**INTERIOR EMERGENCY LIGHTS
EXIT SIGNS**

33-51-14

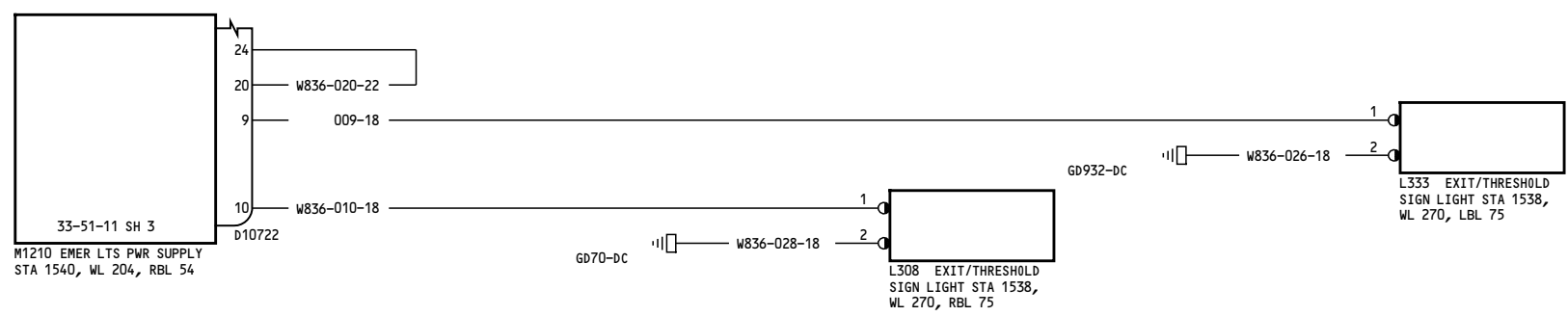
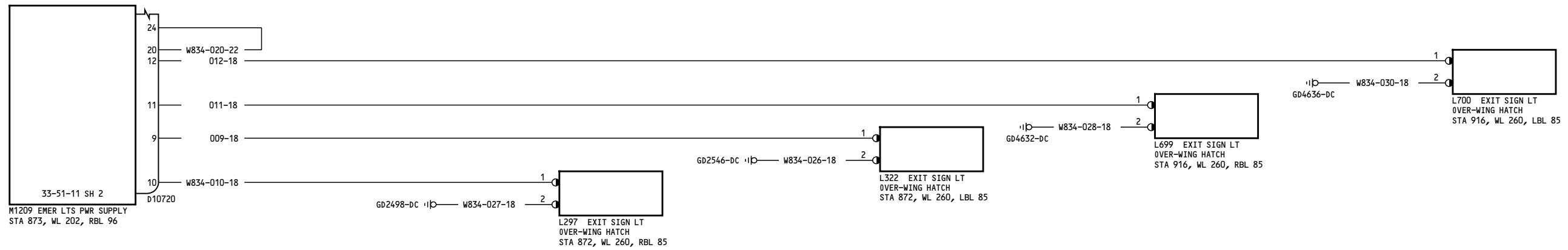
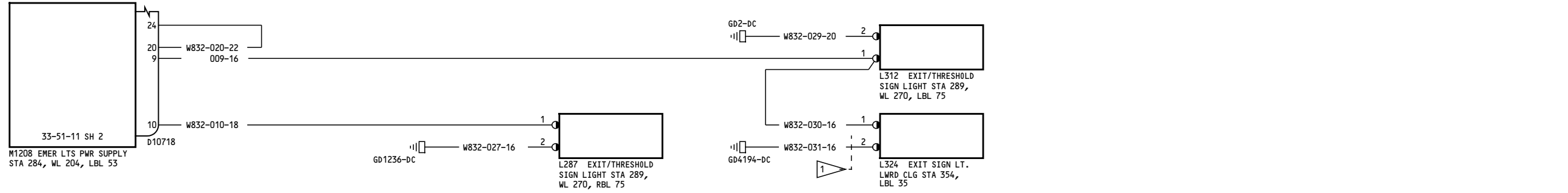
Page 2A
Sheet 2
Jan 21/2005

D280T132

33-51-14

Page 2A
Sheet 2
Jan 21/2005

21



NOTES:
 1 ▽ VN151-VN158 (150-161)

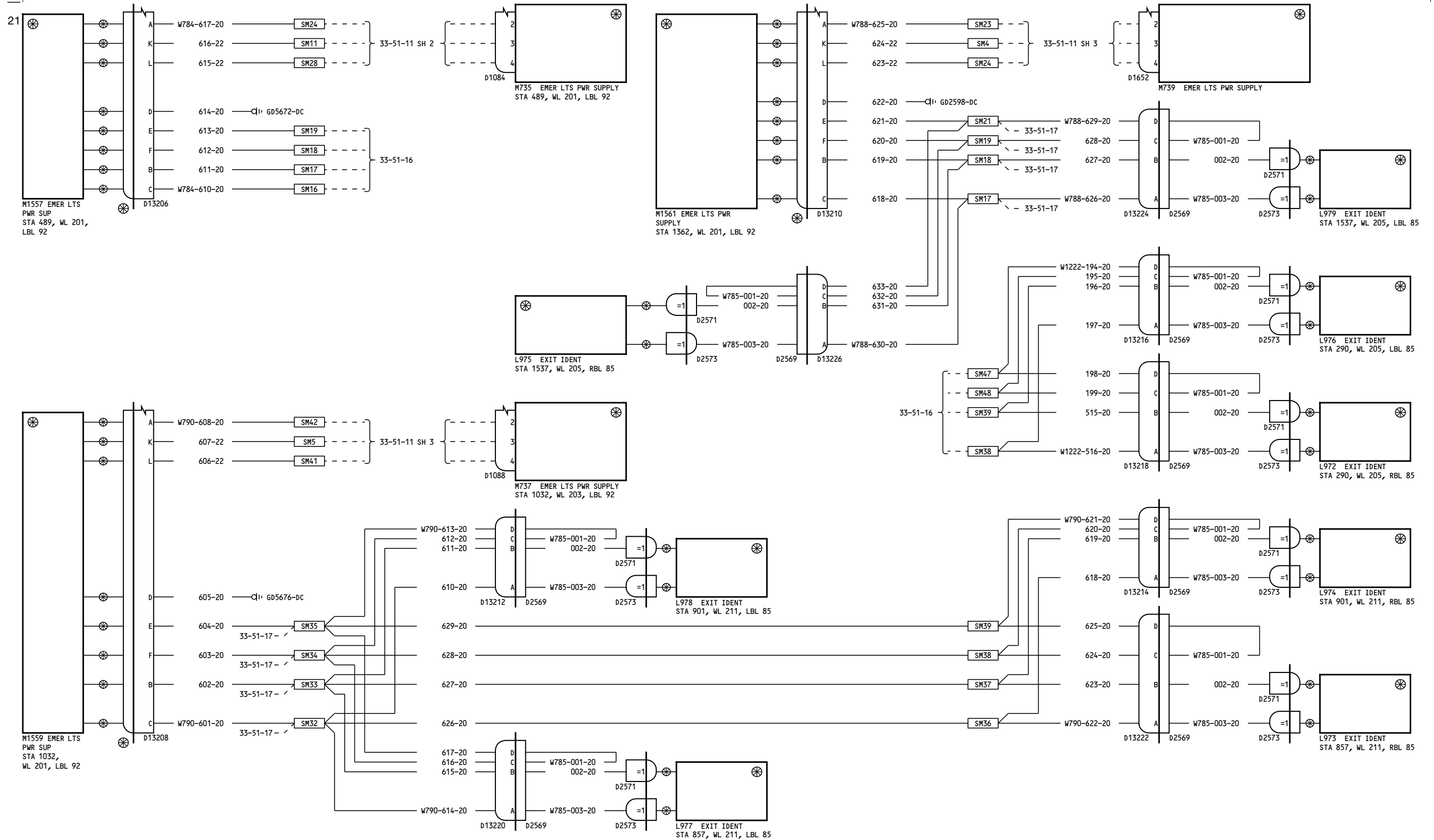
| | |
|-----|-----------------------------------------------------------------|
| 151 | INTERIOR EMERGENCY LIGHTS EXIT SIGNS D280T132 |
|-----|-----------------------------------------------------------------|

33-51-14

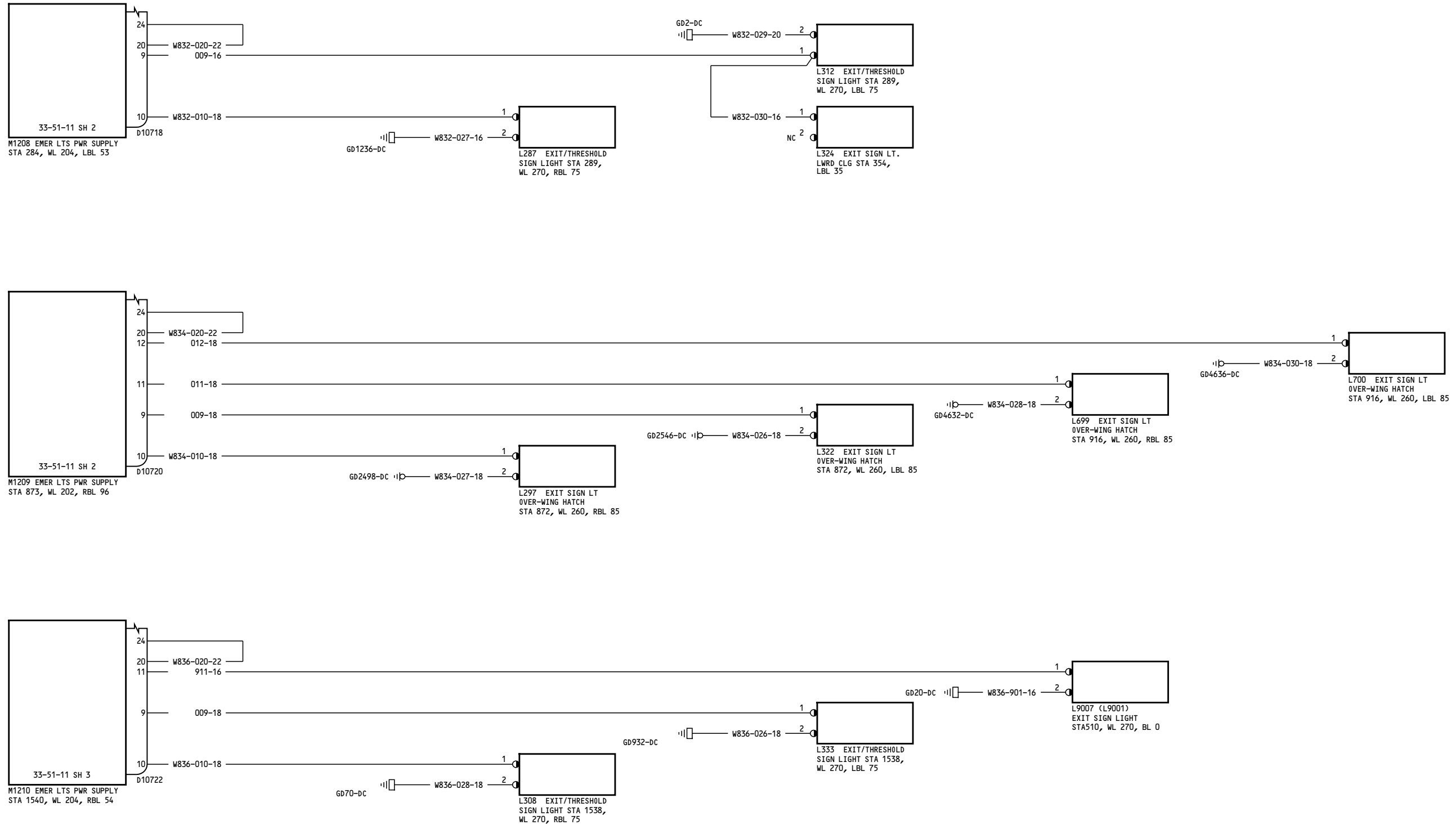
Page 3
Sheet 1
Jan 21/2005

33-51-14

Page 3
Sheet 1
Jan 21/2005



163



162-167

**INTERIOR EMERGENCY LIGHTS
EXIT SIGNS**

D280T132

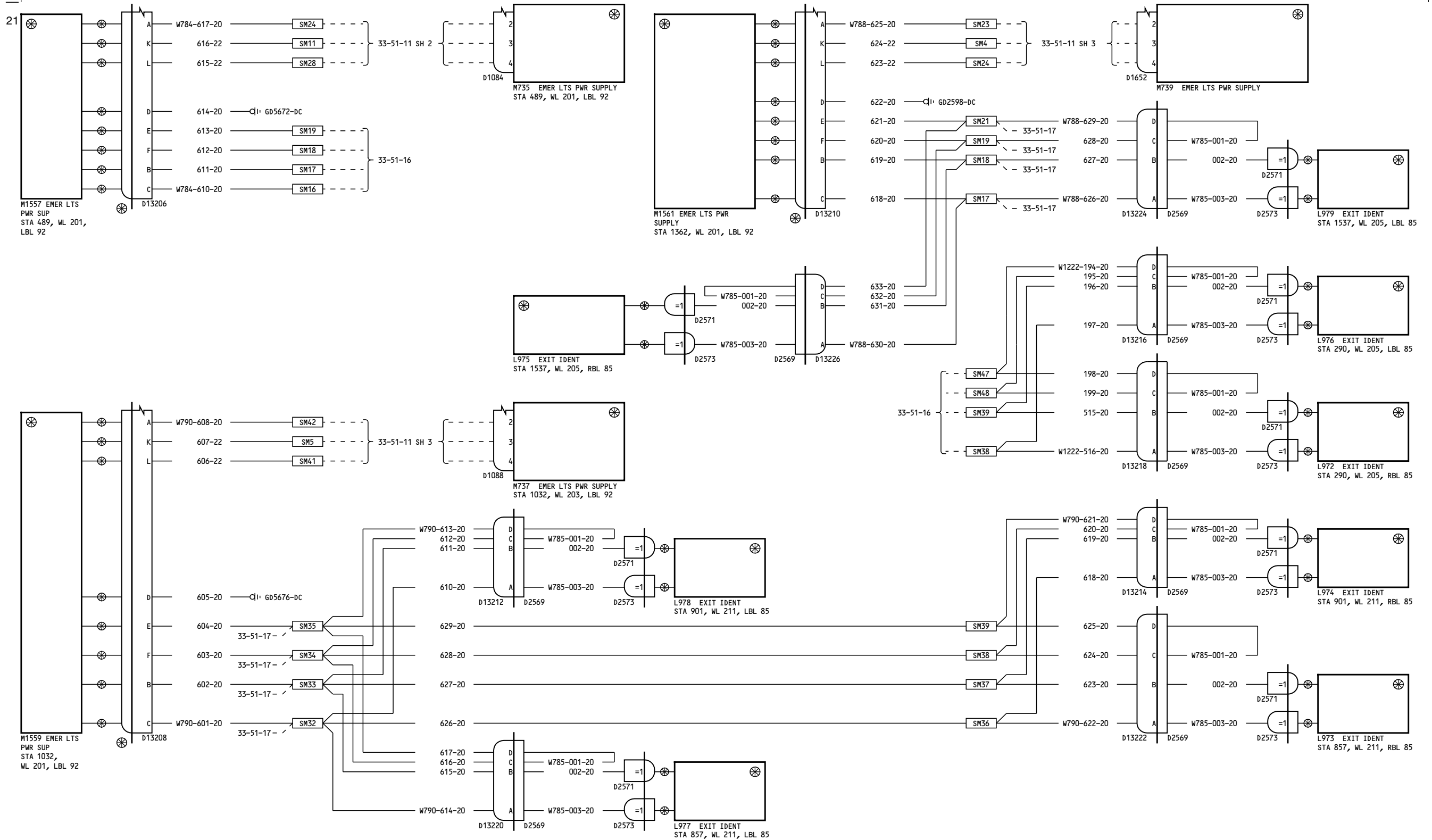
33-51-14

Page 4A
Sheet 1
Jan 21/2005

Incorporates
PR 00113

33-51-14

Page 4A
Sheet 1
Jan 21/2005



162-167

INTERIOR EMERGENCY LIGHTS
EXIT SIGNS

33-51-14

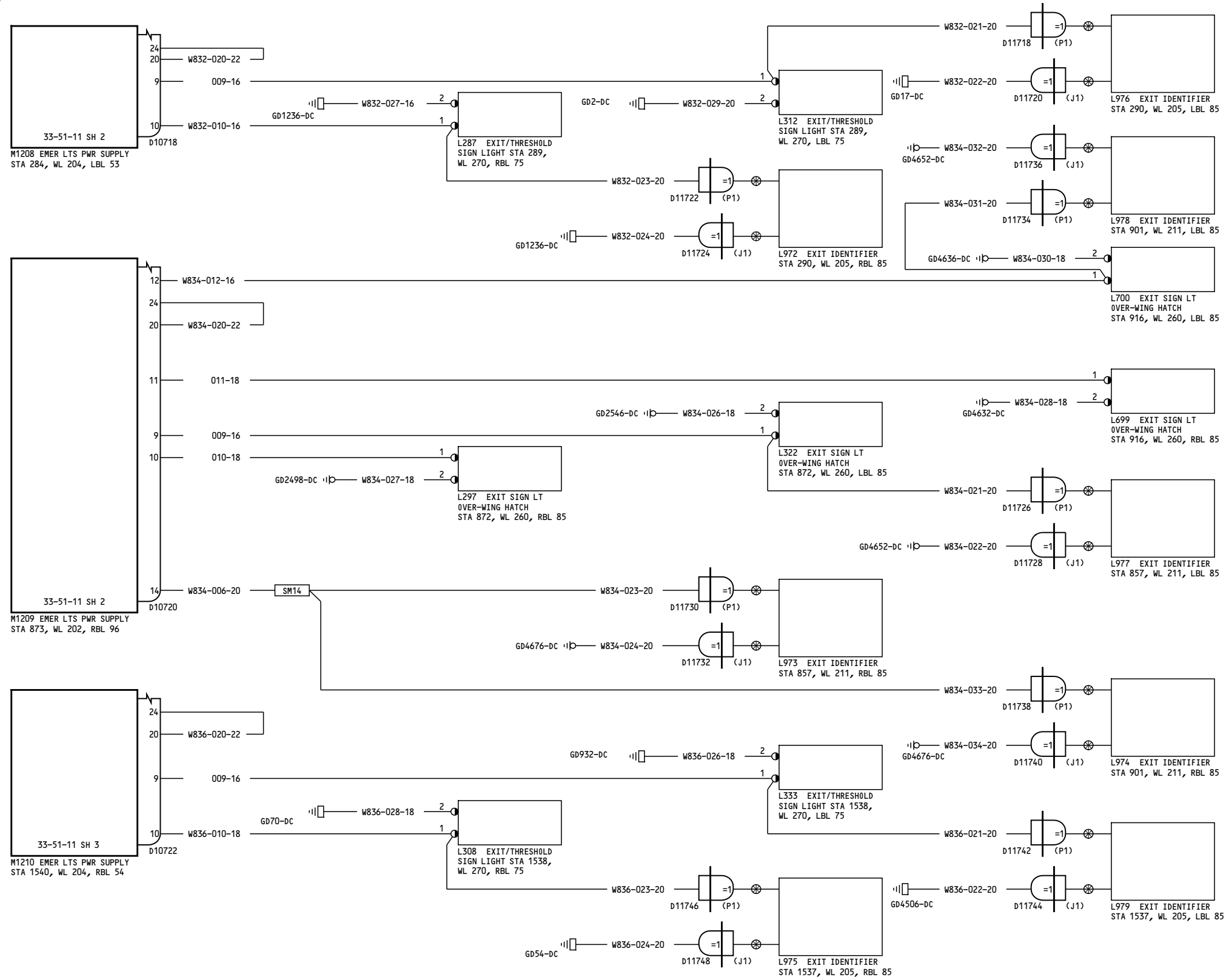
Page 4A
Sheet 2
Jan 21/2005

D280T132

33-51-14

Page 4A
Sheet 2
Jan 21/2005

12



275-299

**INTERIOR EMERGENCY LIGHTS
EXIT SIGNS**

33-51-14

Page 5

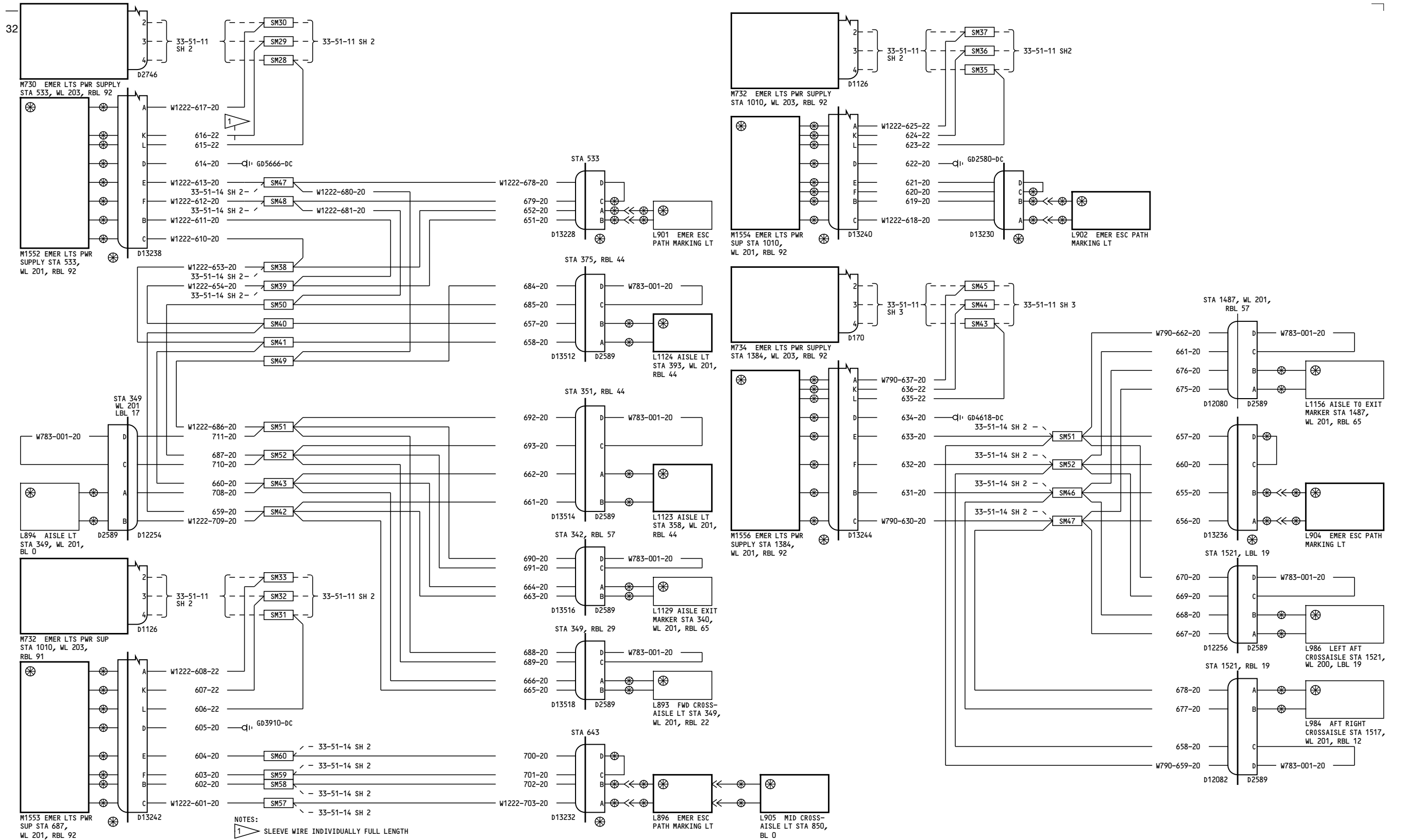
Jan 21/2005

D280T132

33-51-14

Page 5

Jan 21/2005



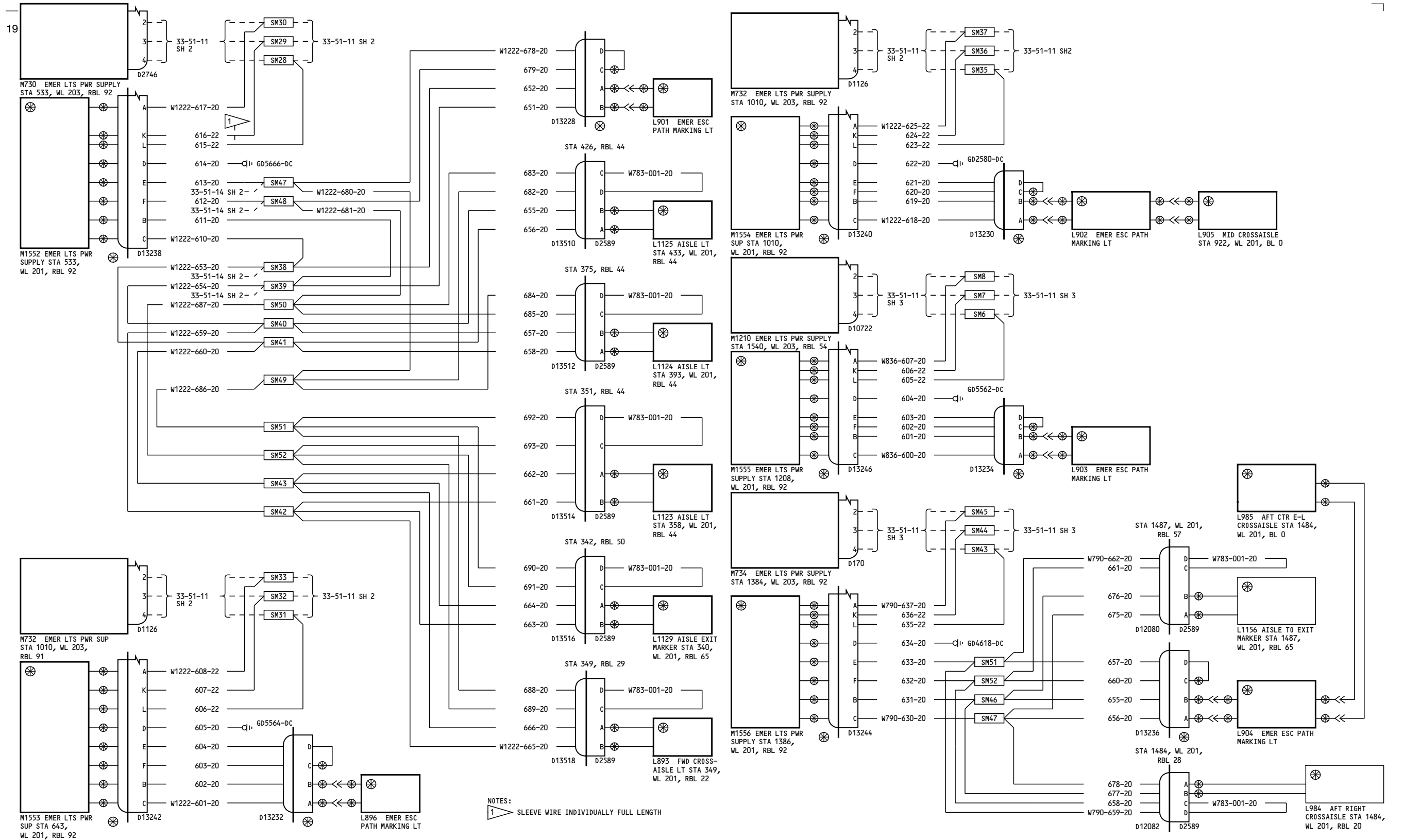
050-099

**EMERGENCY FLOOR LIGHTS-
 RIGHT & CROSSAISLE**

33-51-16

D280T132

33-51-16



150-199

**EMERGENCY FLOOR LIGHTS-
RIGHT & CROSSAISLE**

33-51-16

Page 2

D280T132

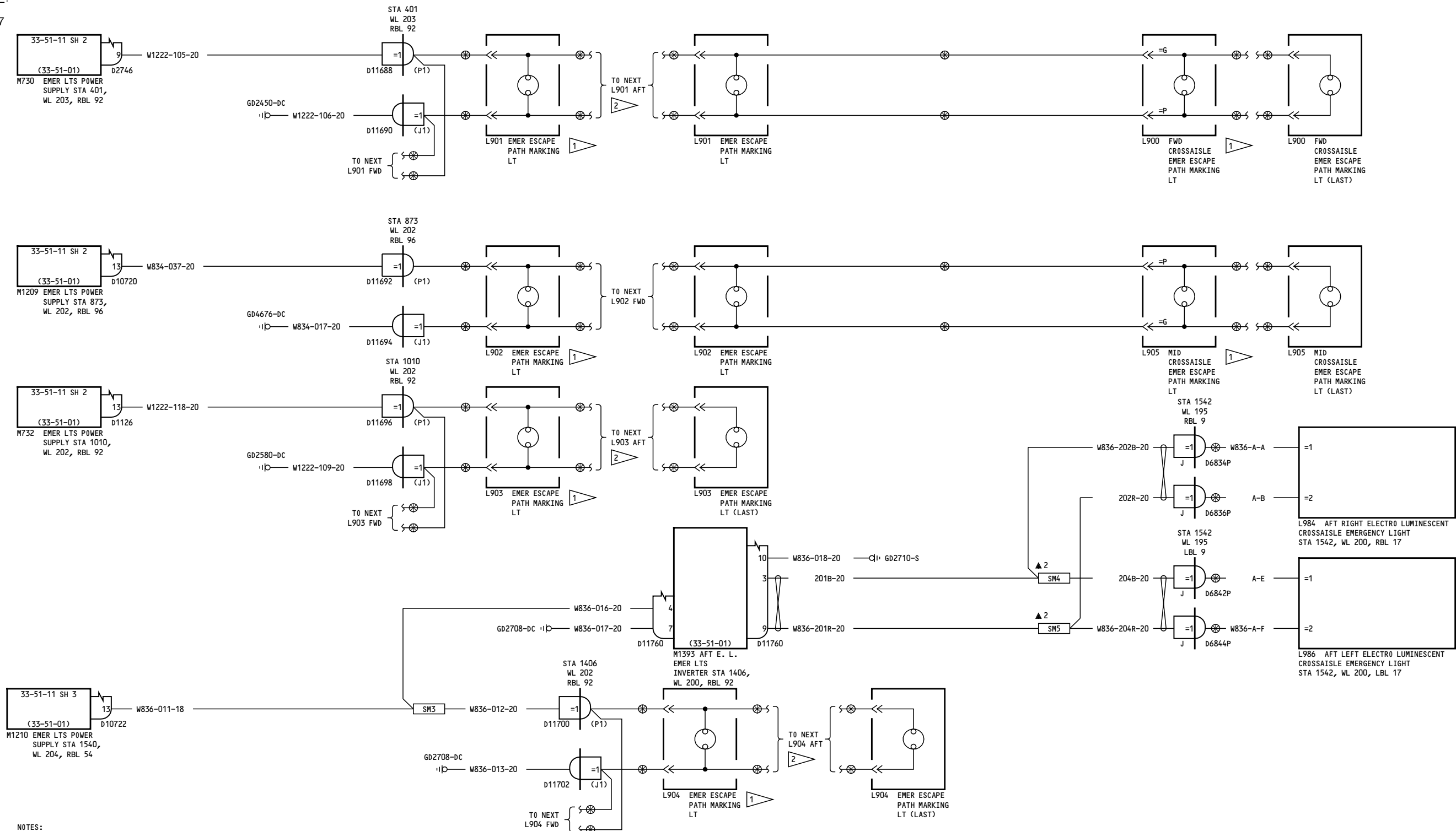
Jan 21/2005

33-51-16

Page 2

Jan 21/2005

27



NOTES:

1 TYPICAL EMERGENCY FLOOR LT. SEE DEL FOR QTY.

2 TYPICAL HOOKUP OF LTS AFT OF SIDEWALL DISCONNECT SHOWN, EXCEPT AS NOTED. HOOKUP OF LTS FWD OF SIDEWALL DISCONNECT ARE IDENTICAL.

275-278

**EMERGENCY FLOOR LIGHTS-
RIGHT & CROSSAISLE**

D280T132

33-51-16

Page 3

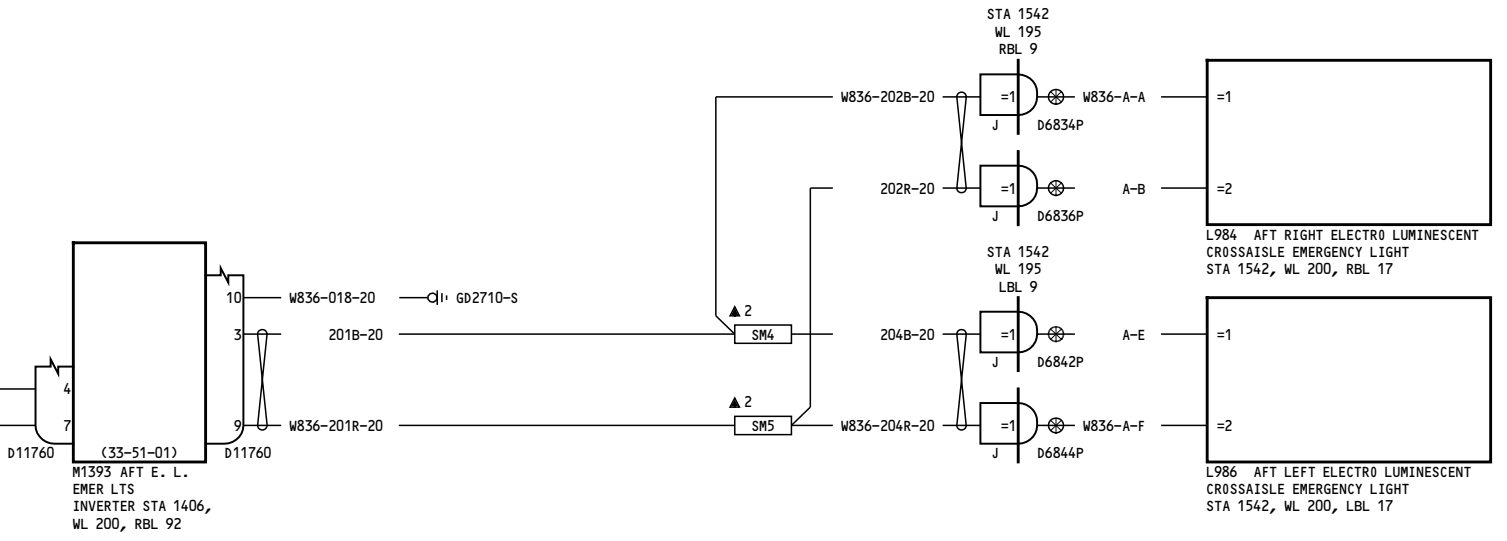
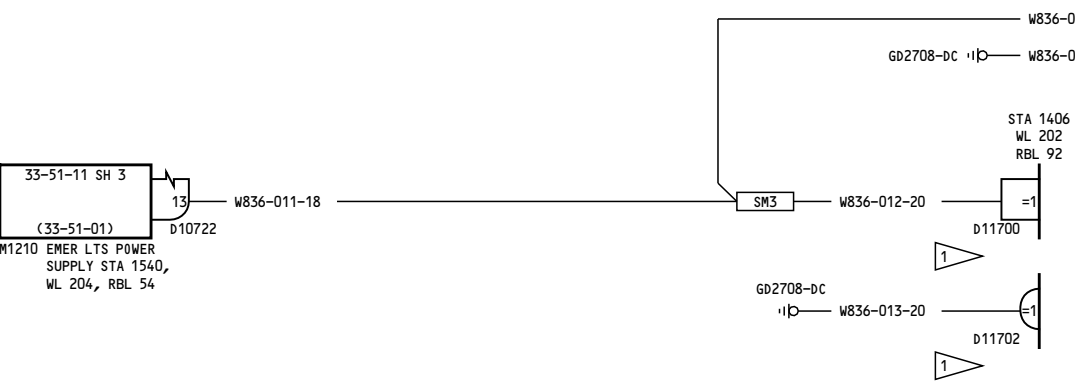
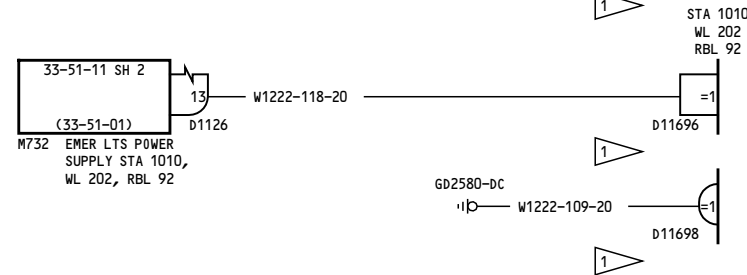
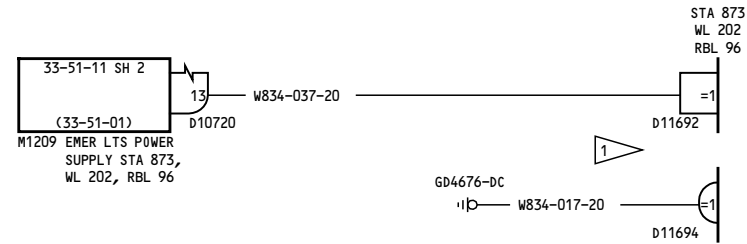
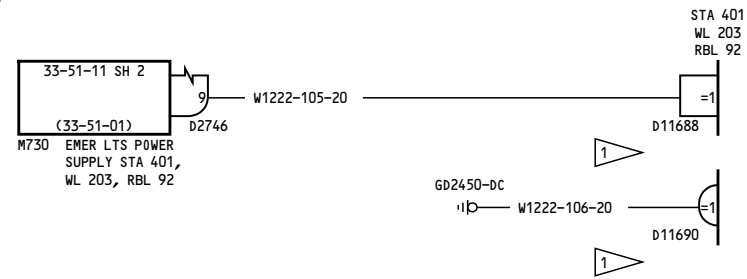
Jan 21/2005

33-51-16

Page 3

Jan 21/2005

53



1 CAP & STOW CONNECTOR

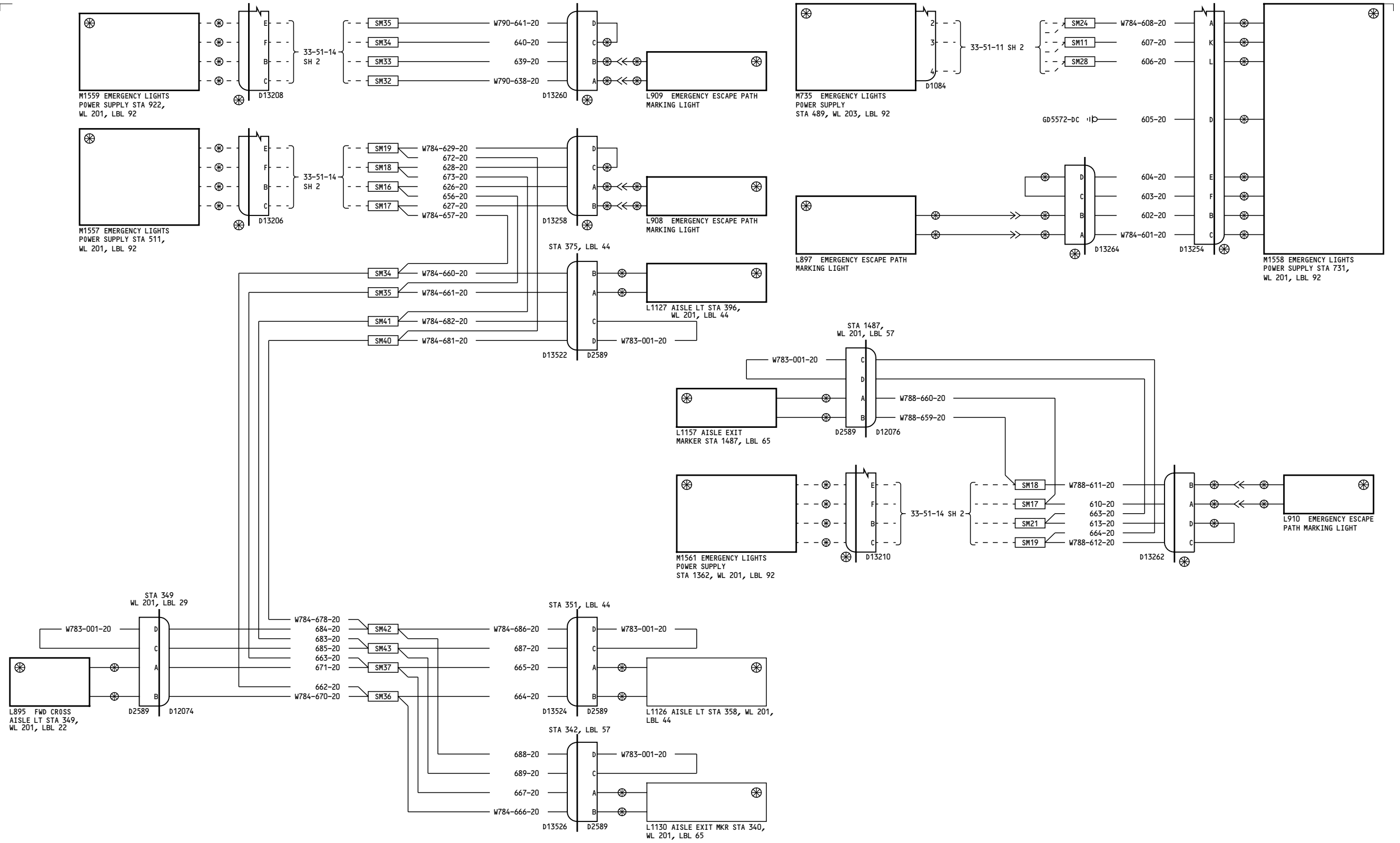
| | |
|---------|----------------------------------------------------------------------------------------------------------------|
| 280-299 | <p align="center">EMERGENCY FLOOR LIGHTS- RIGHT & CROSSAISLE</p> <p align="center">D280T132</p> |
|---------|----------------------------------------------------------------------------------------------------------------|

33-51-16

Page 4
Jan 21/2005

33-51-16

Page 4
Jan 21/2005



050-099

EMERGENCY FLOOR LIGHTS-LEFT

33-51-17

Page 1

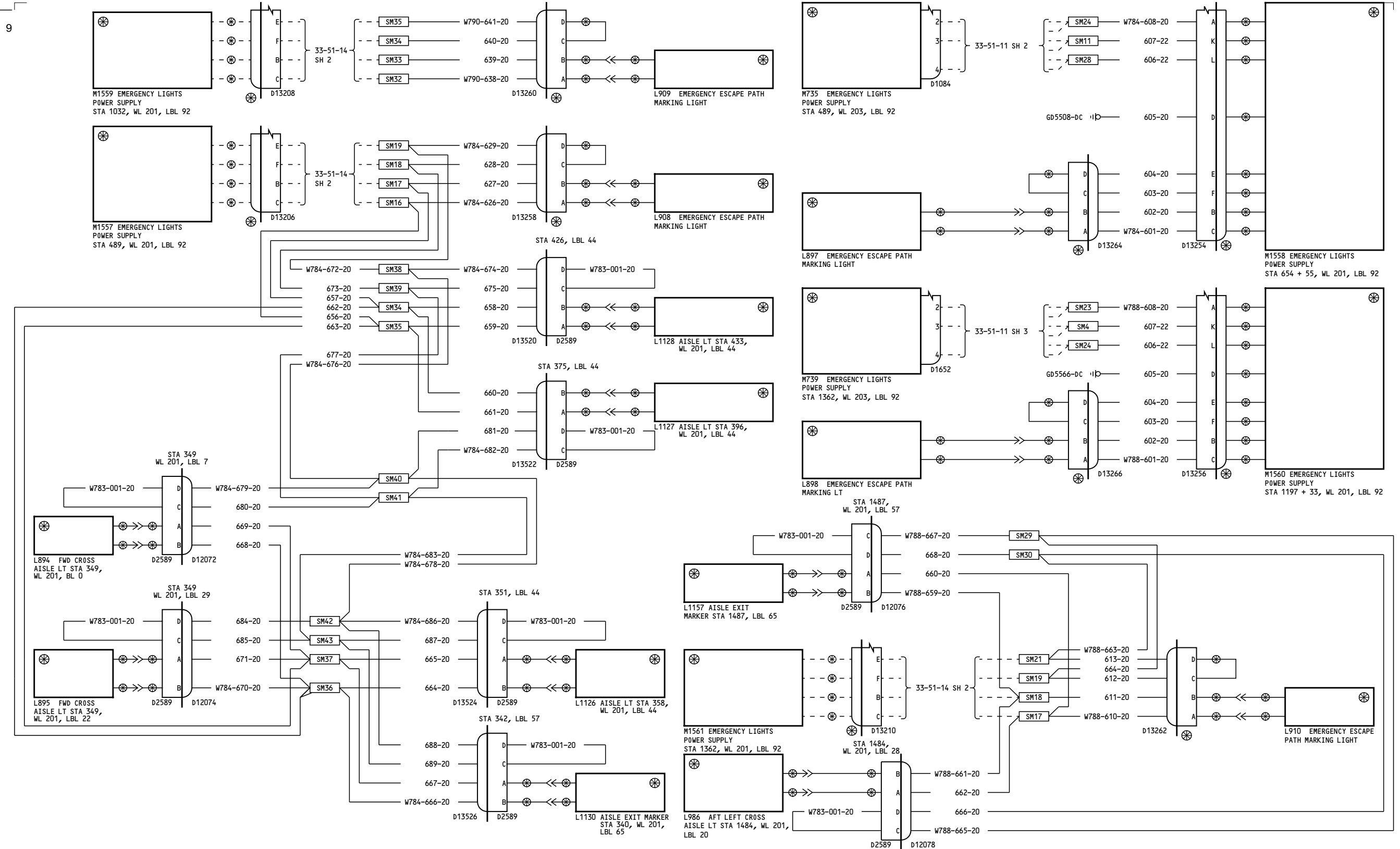
Jan 21/2005

D280T132

33-51-17

Page 1

Jan 21/2005



150-199

EMERGENCY FLOOR LIGHTS-LEFT

D280T132

33-51-17

Page 2

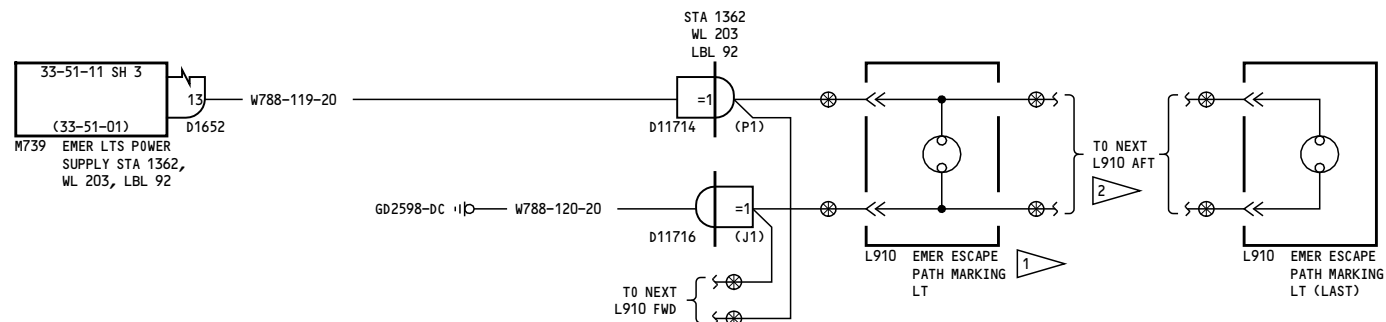
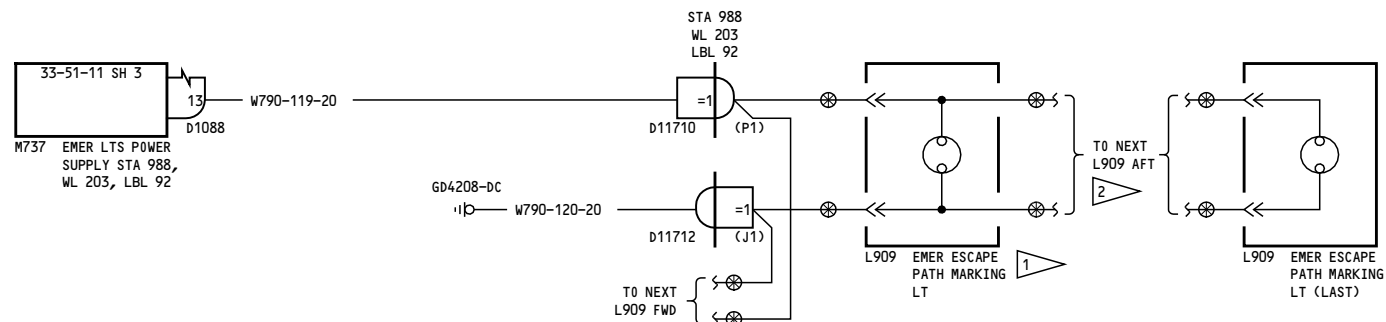
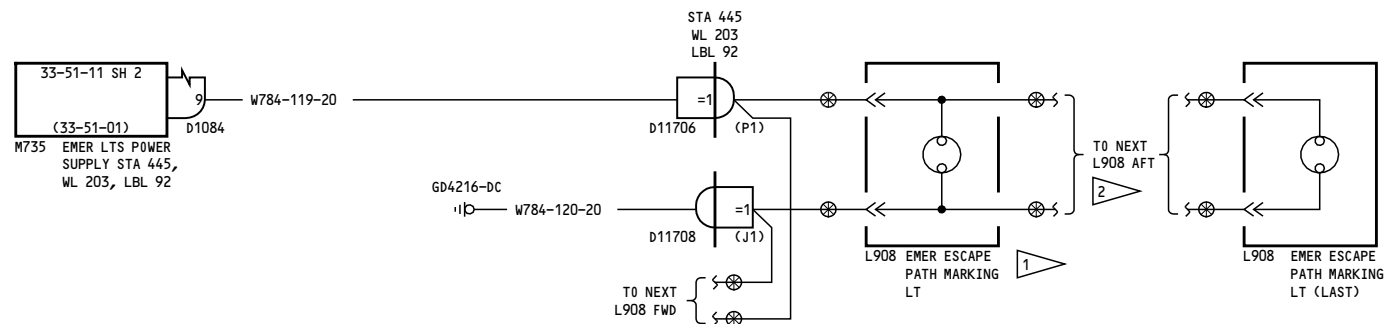
Jan 21/2005

33-51-17

Page 2

Jan 21/2005

1



NOTES:
 1 TYPICAL EMERGENCY FLOOR LIGHT

2 TYPICAL HOOKUP OF LTS AFT OF SIDEWALL DISCONNECT SHOWN. HOOK UP OF LTS FWD OF SIDEWALL DISCONNECT ARE IDENTICAL

275-278

EMERGENCY FLOOR LIGHTS-LEFT

33-51-17

Page 3

D280T132

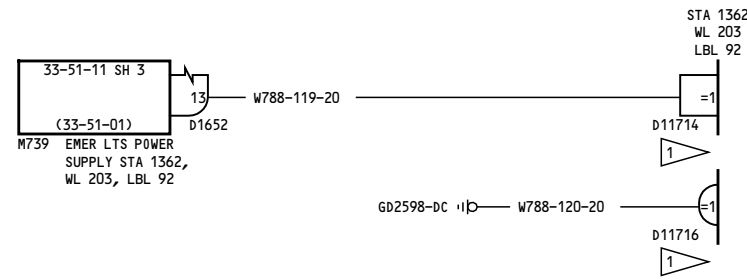
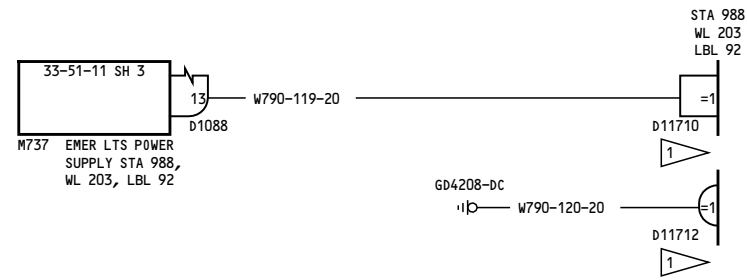
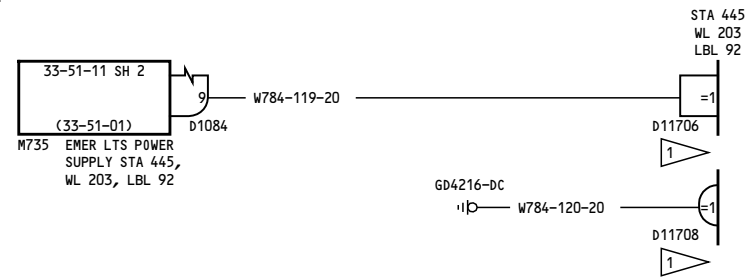
Jan 21/2005

33-51-17

Page 3

Jan 21/2005

24



1 CAP & STOW CONNECTOR

| | |
|---------|----------------------------------------------------|
| 280-299 | EMERGENCY FLOOR LIGHTS-LEFT D280T132 |
|---------|----------------------------------------------------|

33-51-17

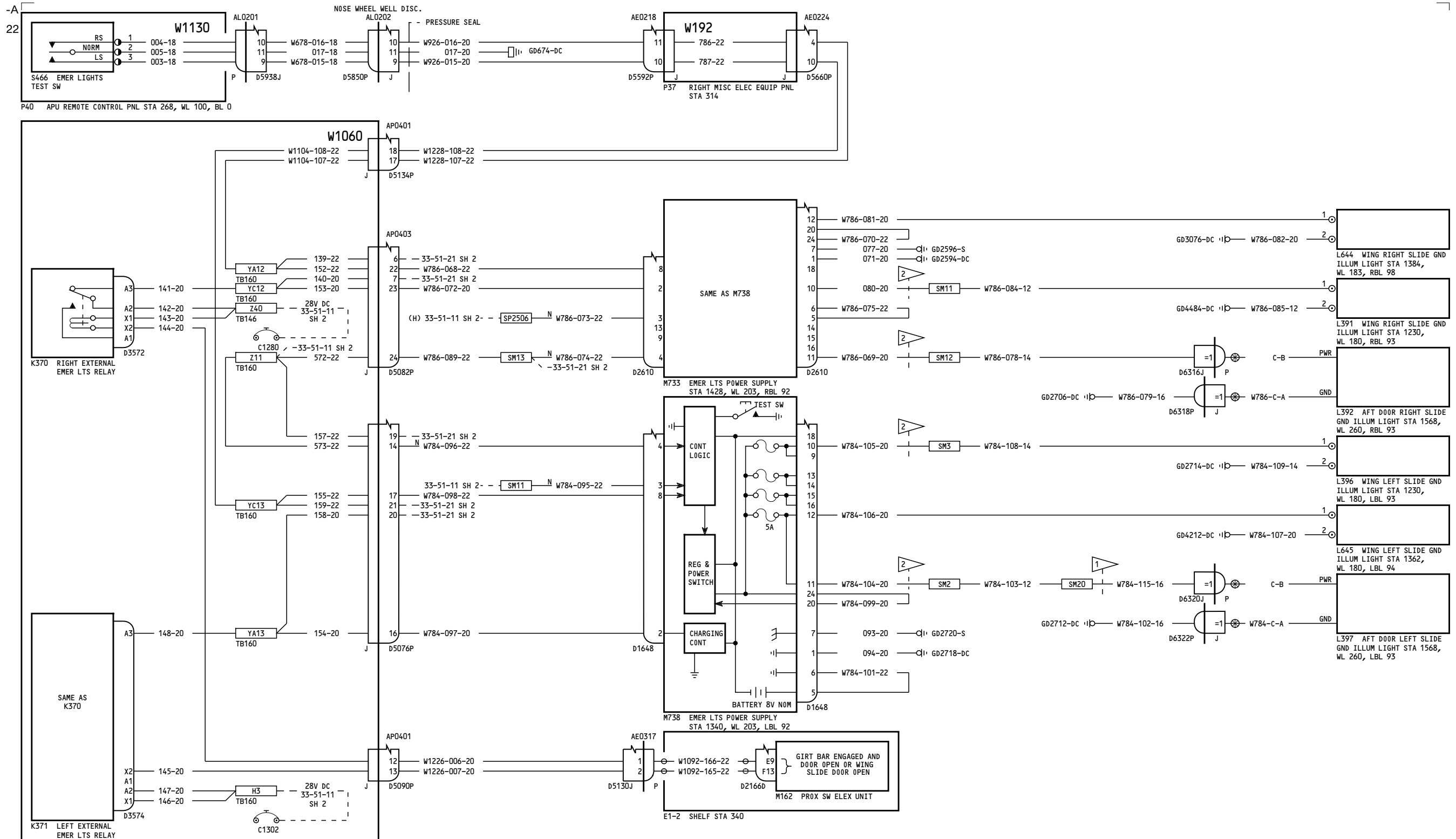
Page 4

Jan 21/2005

33-51-17

Page 4

Jan 21/2005



P19 FWD LIGHTING DISTR PNL STA 400, WL 305, LBL 30
 NOTES:
 1 MAXIMUM LENGTH 6 INCHES 2 MAXIMUM LENGTH 18 INCHES

050-099

EXTERNAL EMERGENCY LIGHTS

D280T132

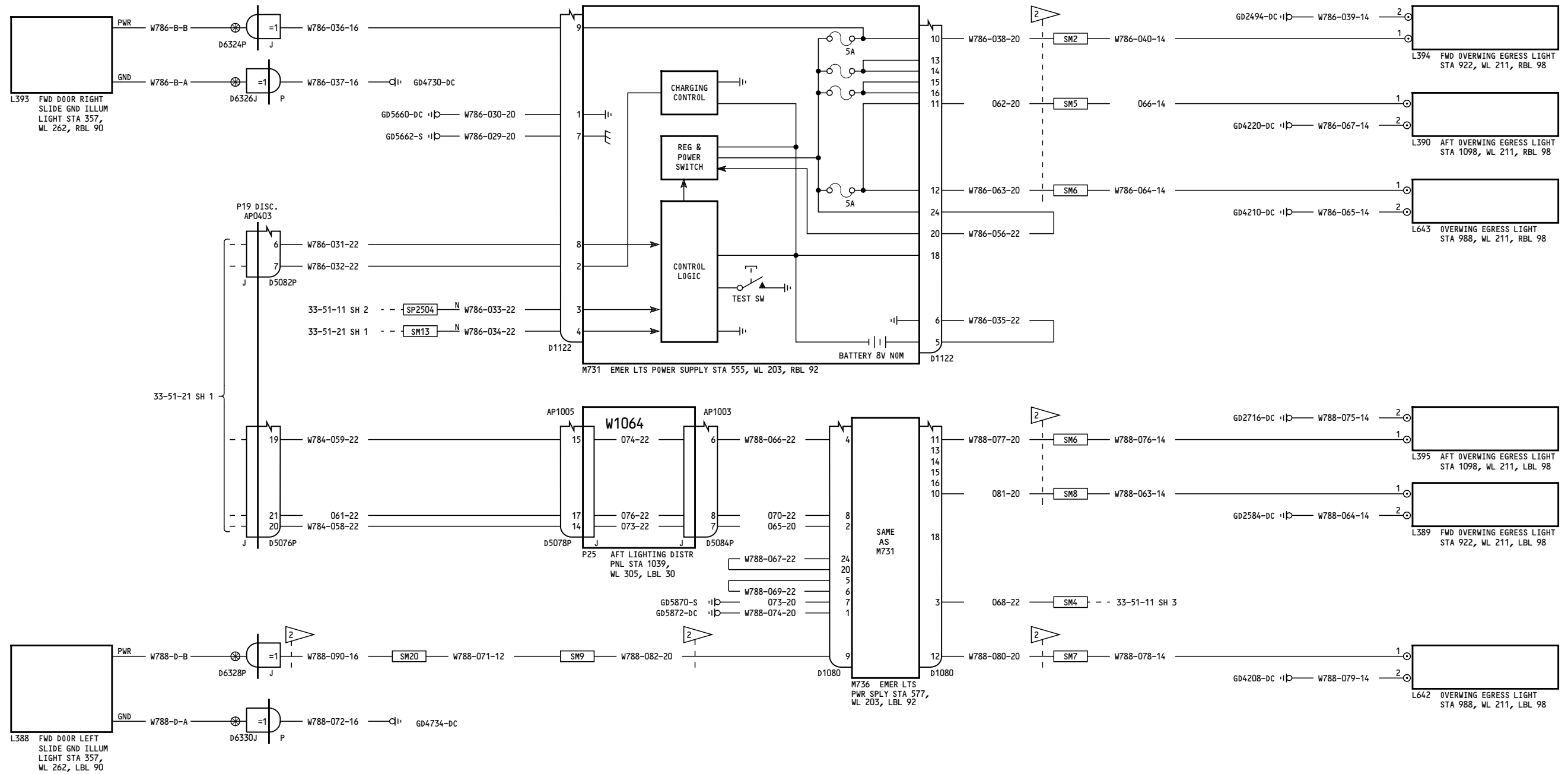
33-51-21

Page 1
 Sheet 1
 Jan 21/2005

33-51-21

Page 1
 Sheet 1
 Jan 21/2005

-A
22



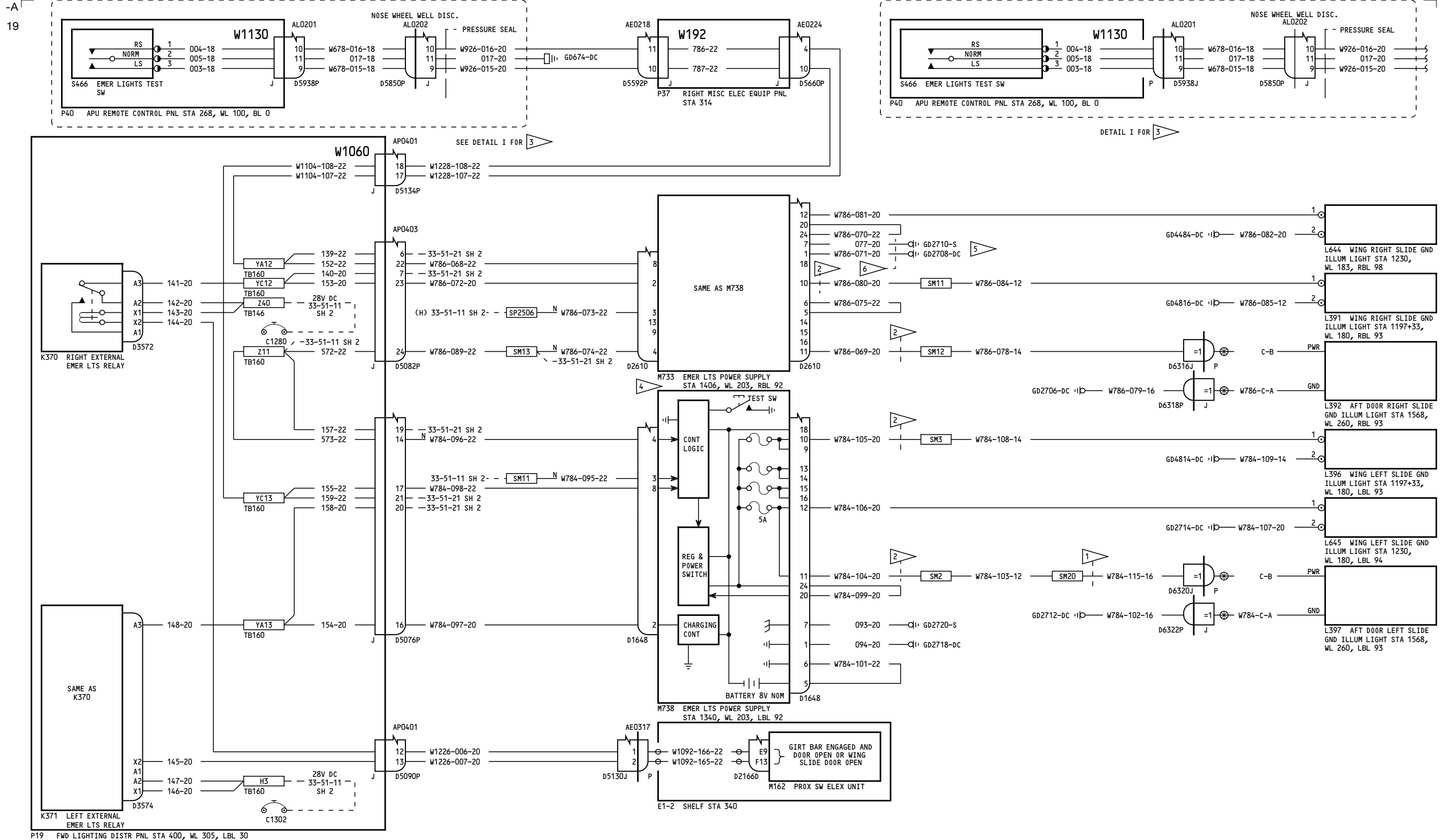
NOTES:
2 MAXIMUM LENGTH 18 INCHES

| | |
|---------|---------------------------|
| 050-099 | EXTERNAL EMERGENCY LIGHTS |
|---------|---------------------------|

33-51-21
Page 1
Sheet 2
Jan 21/2005

D280T132

33-51-21
Page 1
Sheet 2
Jan 21/2005



NOTES:
 1 MAXIMUM LENGTH 6 INCHES 2 MAXIMUM LENGTH 18 INCHES 3 VN156-VN170 (156-999) 4 M733 IS AT STA 1428 FOR VN163-VN170 5 GD2710 IS GD2596 AND GD2708 IS GD2594 6 VN163-VN170

150-199

EXTERNAL EMERGENCY LIGHTS

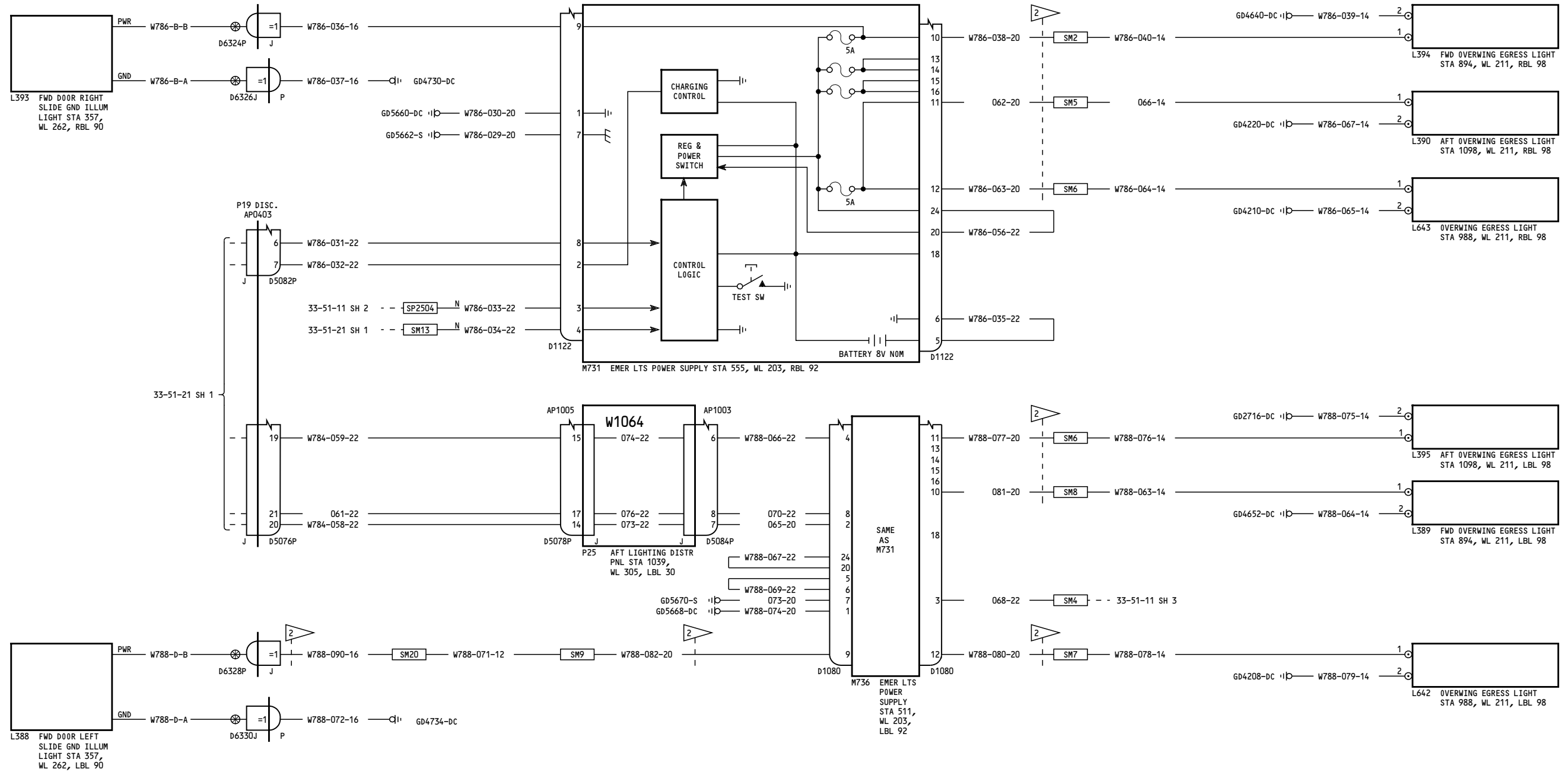
33-51-21

Page 2
Sheet 1
Jan 21/2005

D280T132

33-51-21

Page 2
Sheet 1
Jan 21/2005

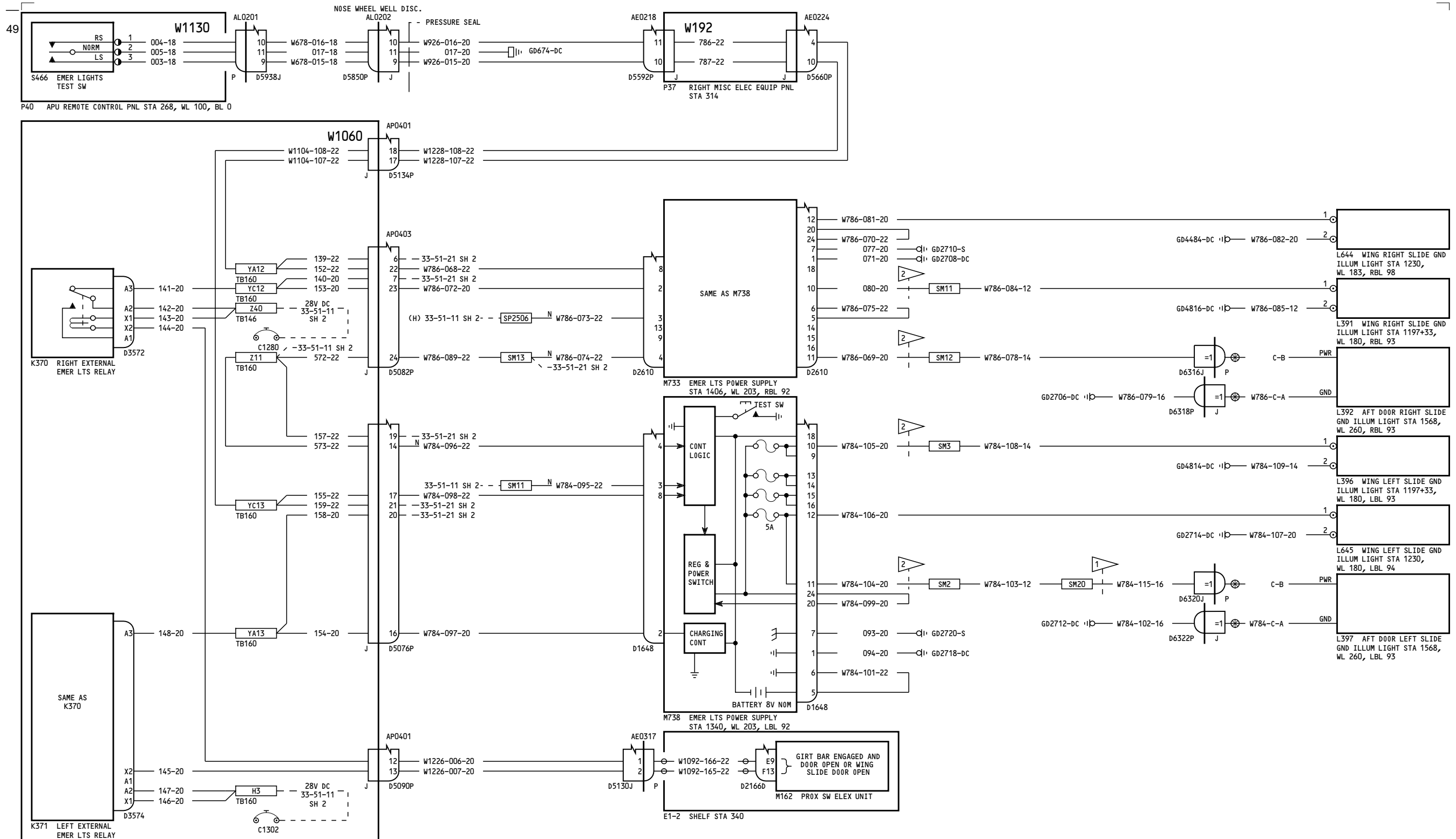


NOTES:
 MAXIMUM LENGTH 18 INCHES

| | |
|---------|---------------------------|
| 150-199 | EXTERNAL EMERGENCY LIGHTS |
|---------|---------------------------|

33-51-21
 Page 2
 Sheet 2
 Jan 21/2005

33-51-21
 Page 2
 Sheet 2
 Jan 21/2005



P19 FWD LIGHTS DISTR PNL STA 400, WL 305, LBL 30
 NOTES:
 1 MAXIMUM LENGTH 6 INCHES 2 MAXIMUM LENGTH 18 INCHES

275-276

EXTERNAL EMERGENCY LIGHTS

D280T132

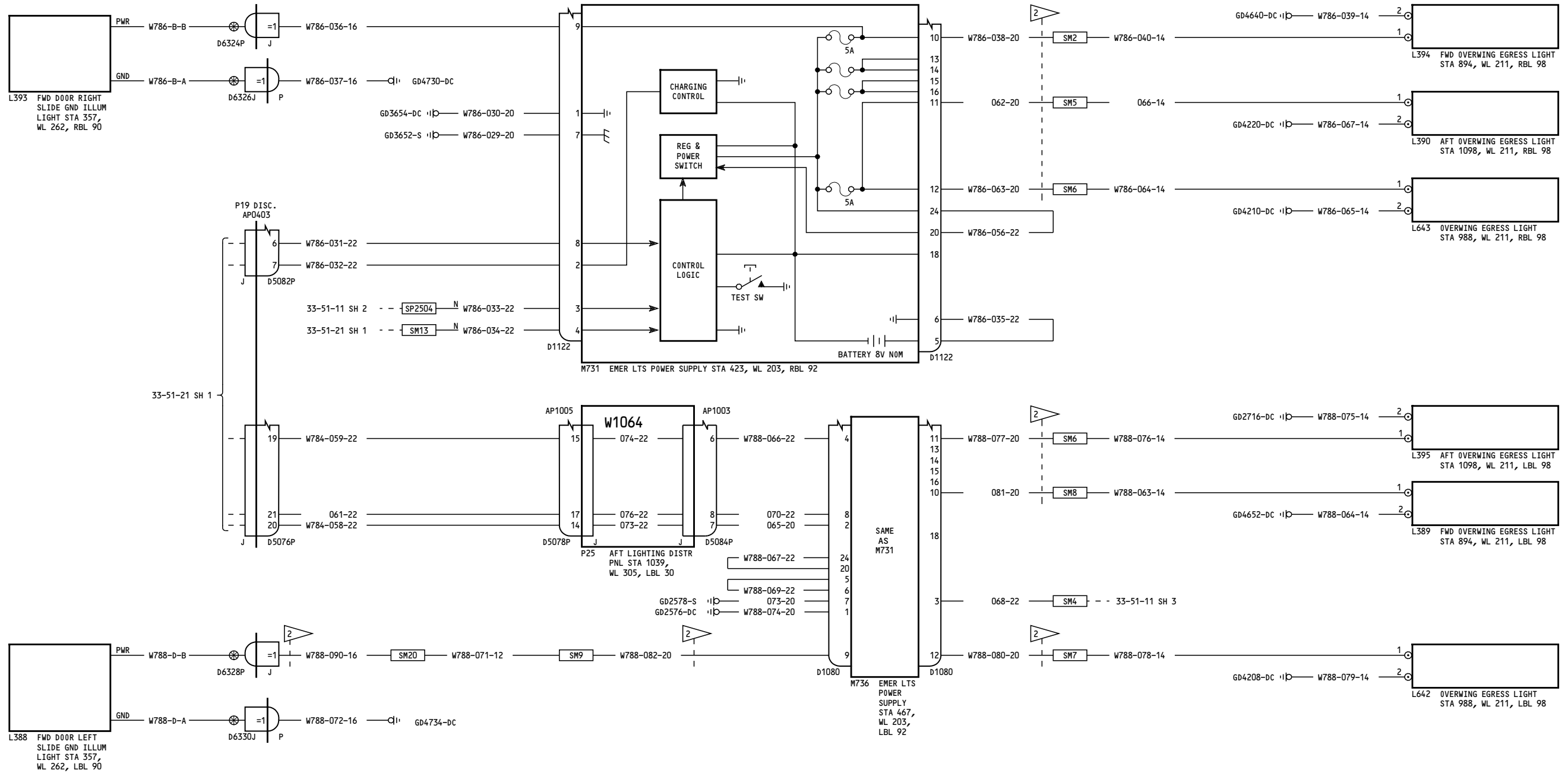
33-51-21

Page 3.1
Sheet 1
Jan 21/2005

Incorporates
32-0085

33-51-21

Page 3.1
Sheet 1
Jan 21/2005



NOTES:
 MAXIMUM LENGTH 18 INCHES

| | |
|---------|---------------------------|
| 275-276 | EXTERNAL EMERGENCY LIGHTS |
|---------|---------------------------|

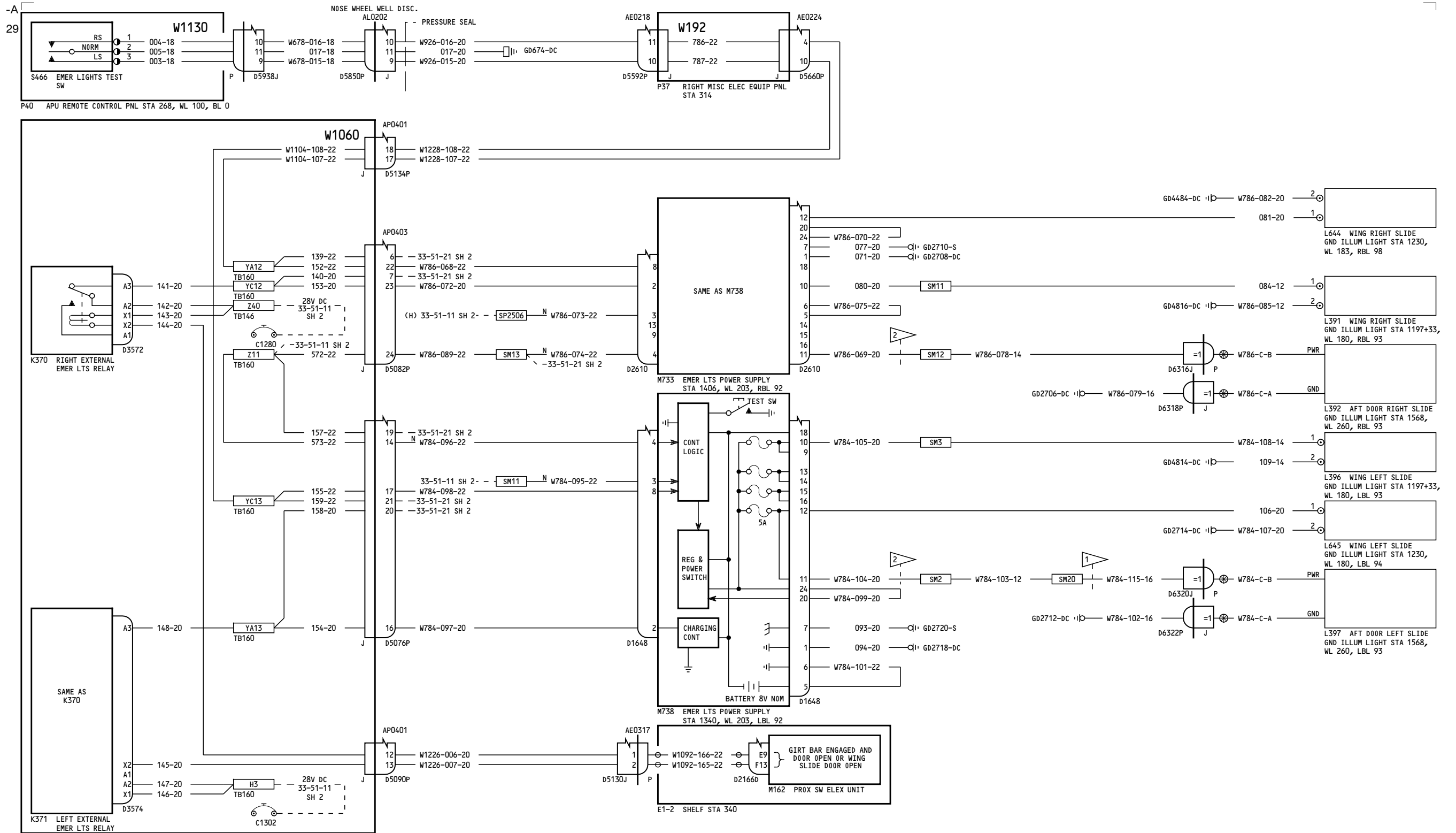
33-51-21

Page 3.1
 Sheet 2
 Jan 21/2005

D280T132

33-51-21

Page 3.1
 Sheet 2
 Jan 21/2005



NOTES:
 1 MAXIMUM LENGTH 6 INCHES
 2 MAXIMUM LENGTH 18 INCHES

277-299

EXTERNAL EMERGENCY LIGHTS

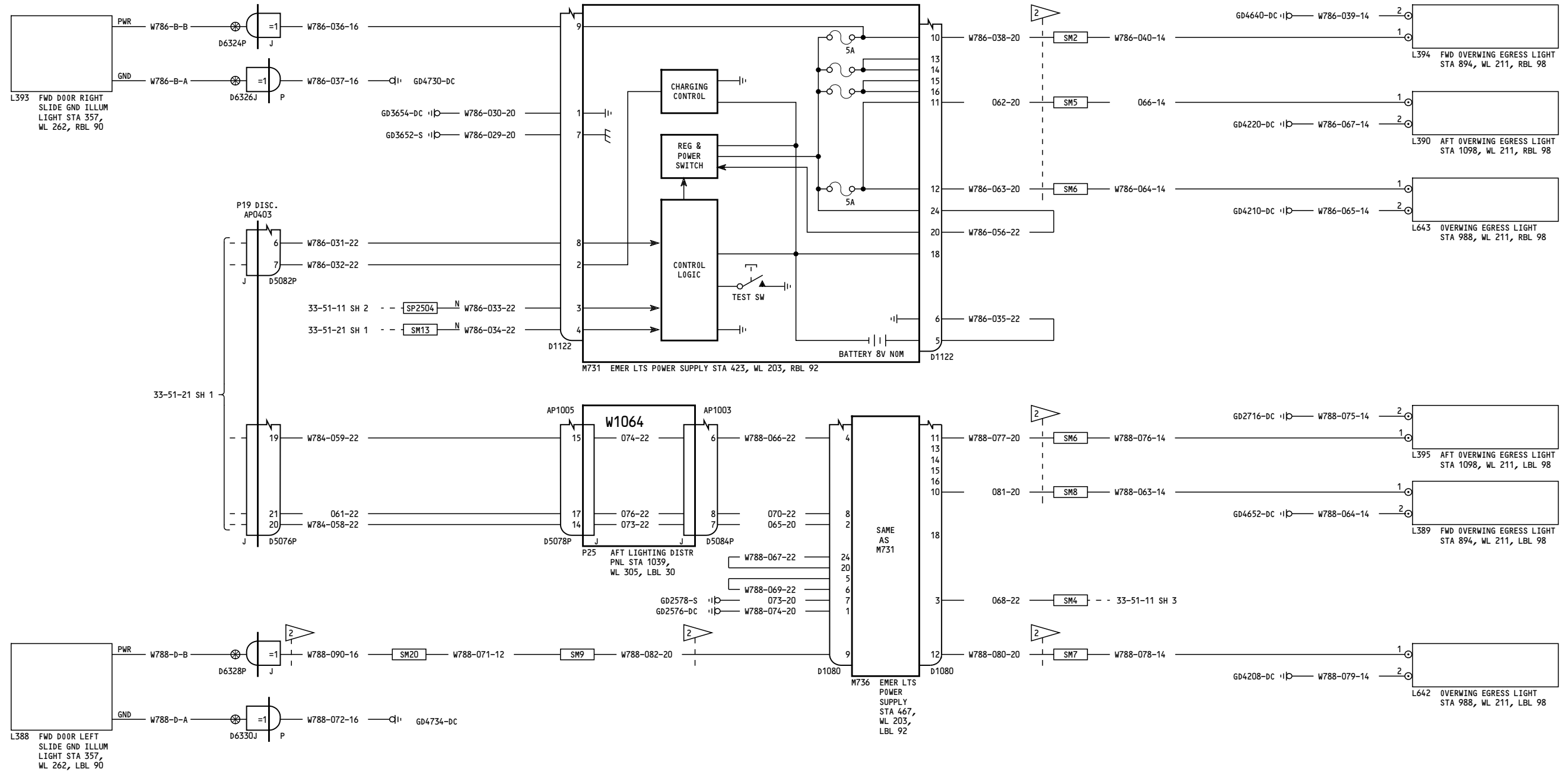
D280T132

33-51-21

Page 4
 Sheet 1
 Jan 21/2005

33-51-21

Page 4
 Sheet 1
 Jan 21/2005



NOTES:
 MAXIMUM LENGTH 18 INCHES

| | |
|---------|---------------------------|
| 277-299 | EXTERNAL EMERGENCY LIGHTS |
|---------|---------------------------|

33-51-21
 Page 4
 Sheet 2
 Jan 21/2005

33-51-21
 Page 4
 Sheet 2
 Jan 21/2005