

CHAPTER

35

OXYGEN



767-200/300

WIRING DIAGRAM MANUAL

CHAPTER 35
OXYGEN

CH-SC-SU	Schem	Page	Sheet	Date	CH-SC-SU	Schem	Page	Sheet	Date
35-EFFECTIVE PAGES									
		1		Aug 05/2009					
		2		BLANK					
35-CONTENTS									
		1		Jun 28/2006					
		2		Jun 28/2006					
35-ALPHABETICAL INDEX									
		1		Jan 21/2005					
		2		BLANK					
35-11-13		1		Jan 21/2005					
35-21-11		1		Jan 21/2005					
		2A		Jan 21/2005					
35-21-12		1	1	Jan 21/2005					
			2	Jan 21/2005					
		2	1	Jan 21/2005					
			2	Jan 21/2005					
		3	1	Jan 21/2005					
			2	Jan 21/2005					
		4	1	Jan 21/2005					
			2	Jan 21/2005					
35-21-13		1	1	Jan 21/2005					
			2	Jan 21/2005					
		2	1	Jan 21/2005					
			2	Jan 21/2005					
		3	1	Jan 21/2005					
			2	Jan 21/2005					
		4	1	Jan 21/2005					
			2	Jan 21/2005					
35-21-14		1	1	Jan 21/2005					
			2	Jan 21/2005					
		2	1	Jan 21/2005					
			2	Jan 21/2005					
		3	1	Jan 21/2005					
			2	Jan 21/2005					
		4	1	Jan 21/2005					
			2	Jan 21/2005					
		5	1	Jan 21/2005					
			2	Jan 21/2005					
		6	1	Jan 21/2005					
			2	Jan 21/2005					
			3	Jan 21/2005					

A = Added, R = Revised, D = Deleted, O = Overflow

35-EFFECTIVE PAGES

Page 1
Aug 05/2009

D280T132



767-200/300

WIRING DIAGRAM MANUAL

CHAPTER 35
OXYGEN

Title	CH-SC-SU	Schem	Page	Sheet	Date	Effectivity	
<u>CREW OXYGEN SYSTEM</u>							
OXYGEN PRESSURE-INDICATION	35-11-13		1		Jan 21/2005	ALL	
<u>PASSENGER OXYGEN SYSTEM</u>							
OXYGEN MASK DOOR CONTROL	35-21-11		1		Jan 21/2005	050-099 151-152 154-156 162-164 275-299	
			2A		Jan 21/2005	150 153 157 165-167	
OXYGEN MASK DEPLOYMENT- LEFT	35-21-12		1	1	Jan 21/2005	050-099	
				2	Jan 21/2005	050-099	
				2	1	Jan 21/2005	150-199
				2	Jan 21/2005	150-199	
				3	1	Jan 21/2005	275-278
				2	Jan 21/2005	275-278	
				4	1	Jan 21/2005	280-299
				2	Jan 21/2005	280-299	
OXYGEN MASK DEPLOYMENT- RIGHT	35-21-13		1	1	Jan 21/2005	050-099	
				2	Jan 21/2005	050-099	
				2	1	Jan 21/2005	150-157
				2	Jan 21/2005	150-157	
				3	1	Jan 21/2005	162-199
				2	Jan 21/2005	162-199	
				4	1	Jan 21/2005	275-299
				2	Jan 21/2005	275-299	
OXYGEN MASK DEPLOYMENT- CENTER	35-21-14		1	1	Jan 21/2005	050-099	
				2	Jan 21/2005	050-099	
				2	1	Jan 21/2005	150-157
				2	Jan 21/2005	150-157	
				3	1	Jan 21/2005	162-199
				2	Jan 21/2005	162-199	
				4	1	Jan 21/2005	275
				2	Jan 21/2005	275	
	5	1	Jan 21/2005	276-278			

35-CONTENTS



767-200/300

WIRING DIAGRAM MANUAL

CHAPTER 35 OXYGEN

Title	CH-SC-SU	Schem	Page	Sheet	Date	Effectivity	
OXYGEN MASK DEPLOYMENT- CENTER (cont.)	35-21-14			2	Jan 21/2005	276-278	
			6	1	Jan 21/2005	280-299	
					2	Jan 21/2005	280-299
					3	Jan 21/2005	280-299

35-CONTENTS

Page 2
Jun 28/2006

D280T132



767-200/300

WIRING DIAGRAM MANUAL

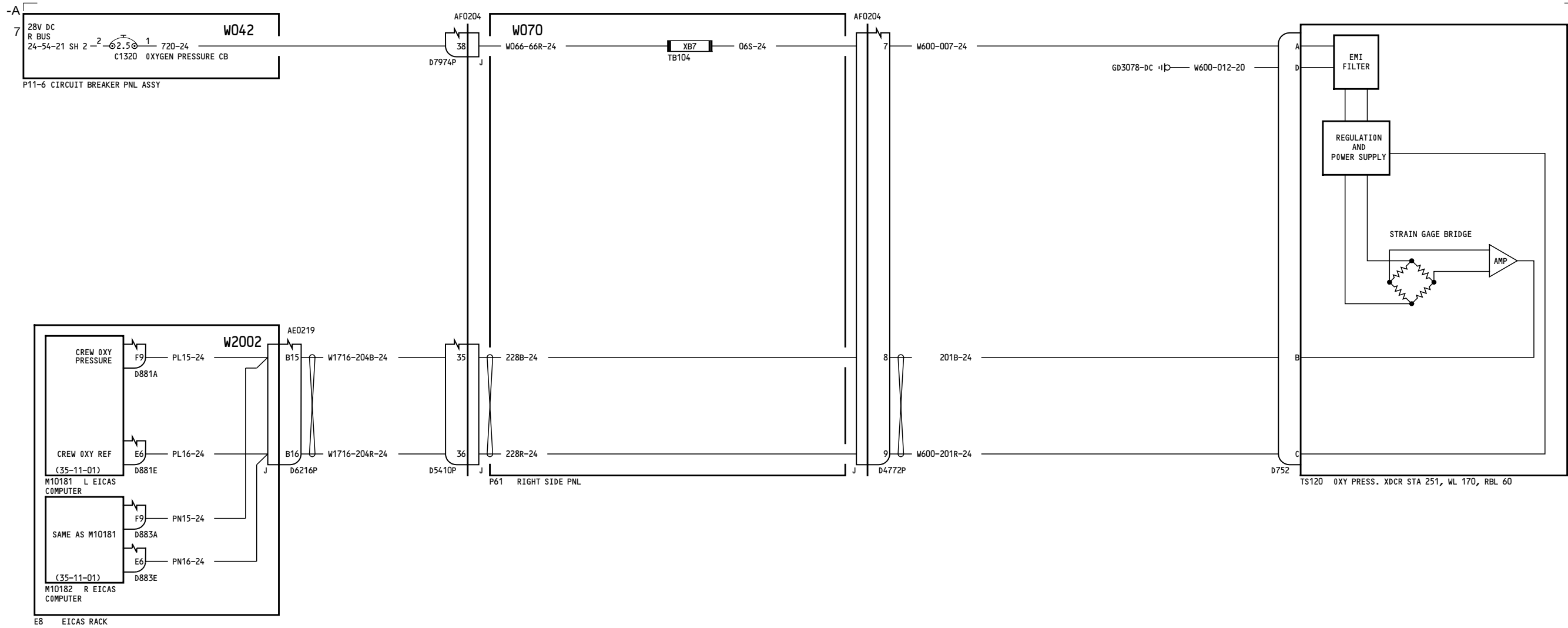
CHAPTER 35 OXYGEN

CH-SC-SU	Title
35-21-14	OXYGEN MASK DEPLOYMENT- CENTER
35-21-12	OXYGEN MASK DEPLOYMENT- LEFT
35-21-13	OXYGEN MASK DEPLOYMENT- RIGHT
35-21-11	OXYGEN MASK DOOR CONTROL
35-11-13	OXYGEN PRESSURE- INDICATION

35-ALPHABETICAL INDEX

D280T132

Page 1
Jan 21/2005



ALL	OXYGEN PRESSURE-INDICATION
	D280T132

35-11-13

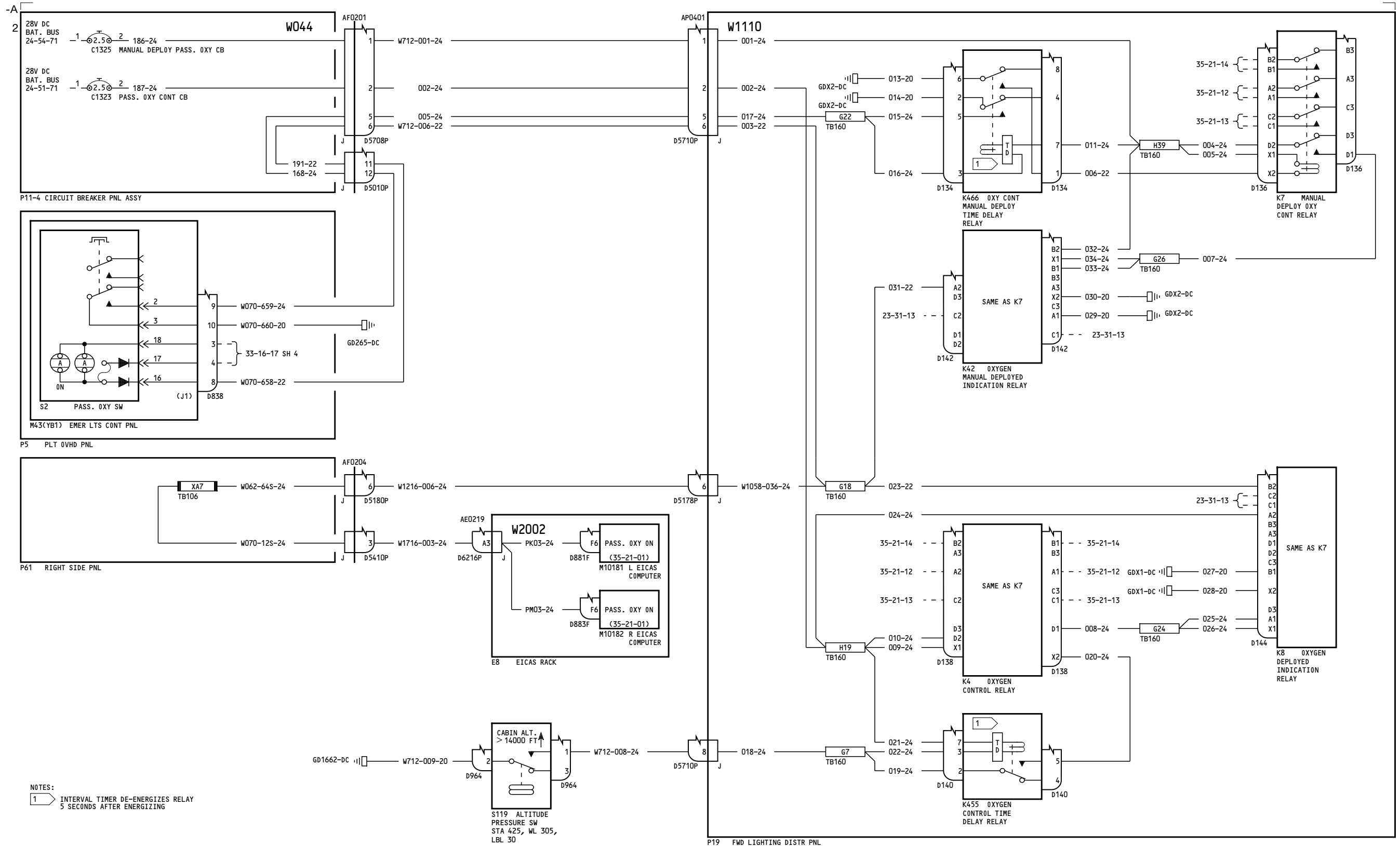
Page 1

Jan 21/2005

35-11-13

Page 1

Jan 21/2005



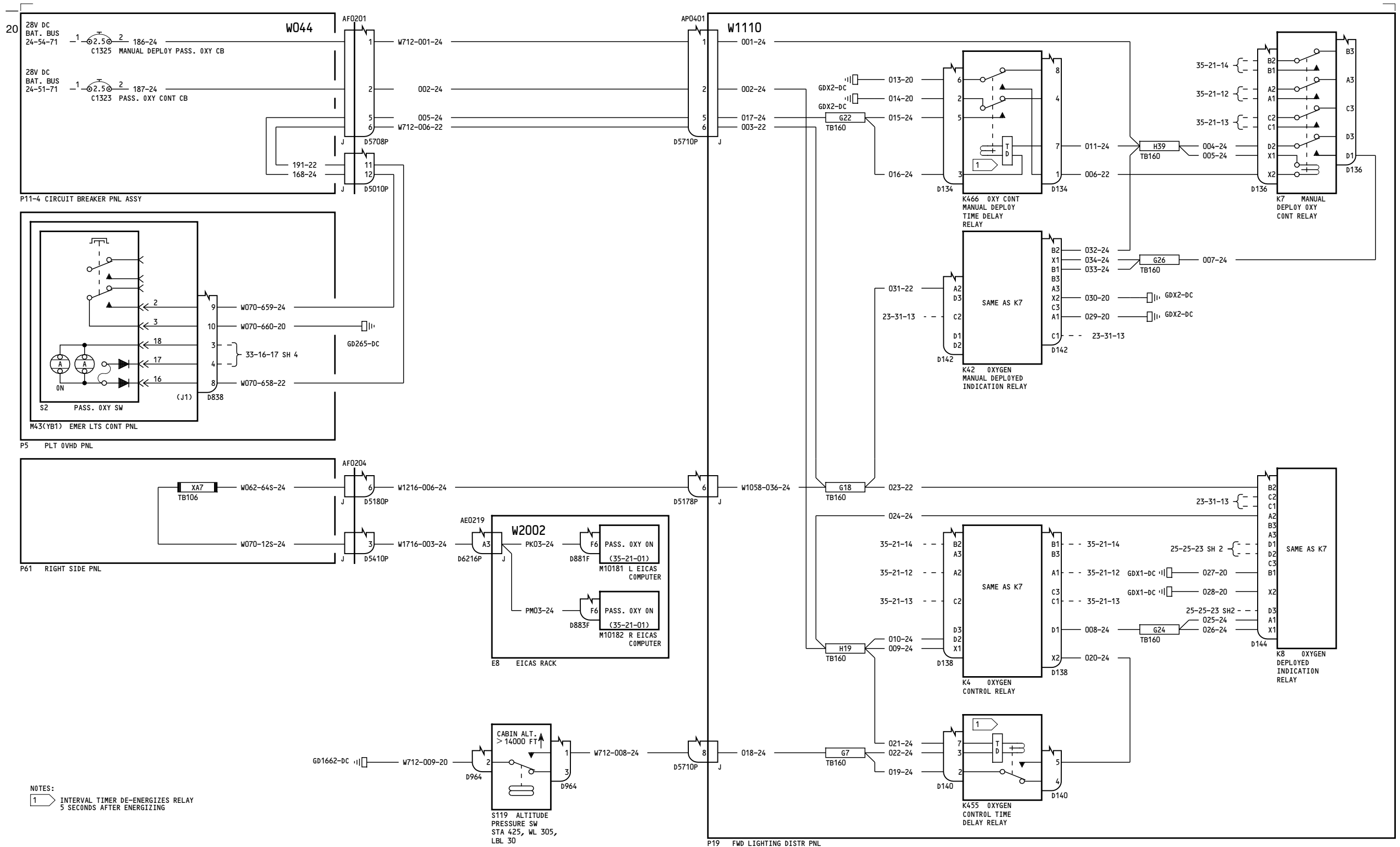
NOTES:
 1 INTERVAL TIMER DE-ENERGIZES RELAY 5 SECONDS AFTER ENERGIZING

050-099, 151-152, 154-156, 162-164, 275-299

OXYGEN MASK DOOR CONTROL

35-21-11
 Page 1
 Jan 21/2005

35-21-11
 Page 1
 Jan 21/2005



150, 153, 157, 165-167

OXYGEN MASK DOOR CONTROL

35-21-11

Page 2A

D280T132

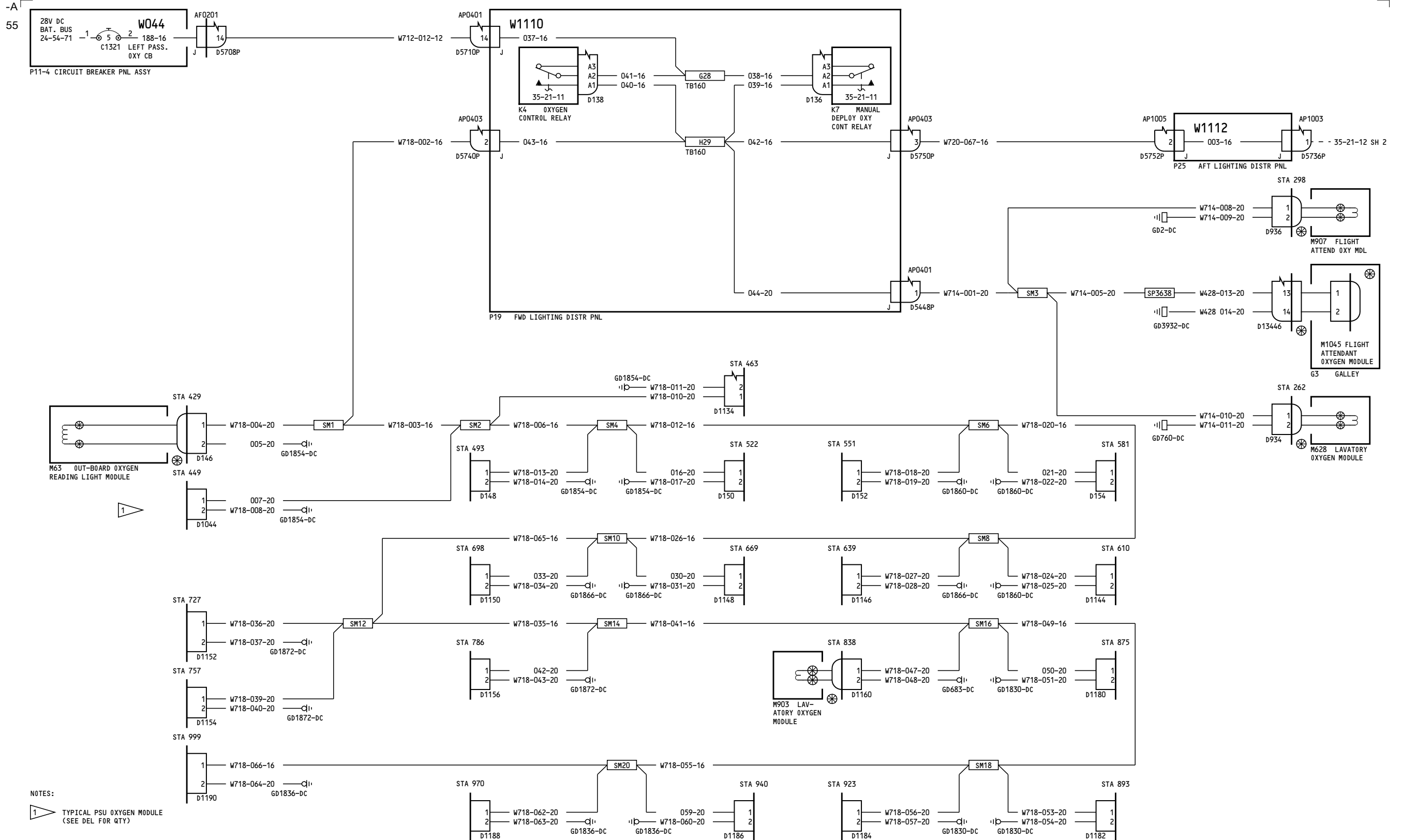
Jan 21/2005

Incorporates
 EAD89-0704-00

35-21-11

Page 2A

Jan 21/2005



NOTES:
 1 TYPICAL PSU OXYGEN MODULE (SEE DEL FOR QTY)

050-099

OXYGEN MASK DEPLOYMENT-LEFT

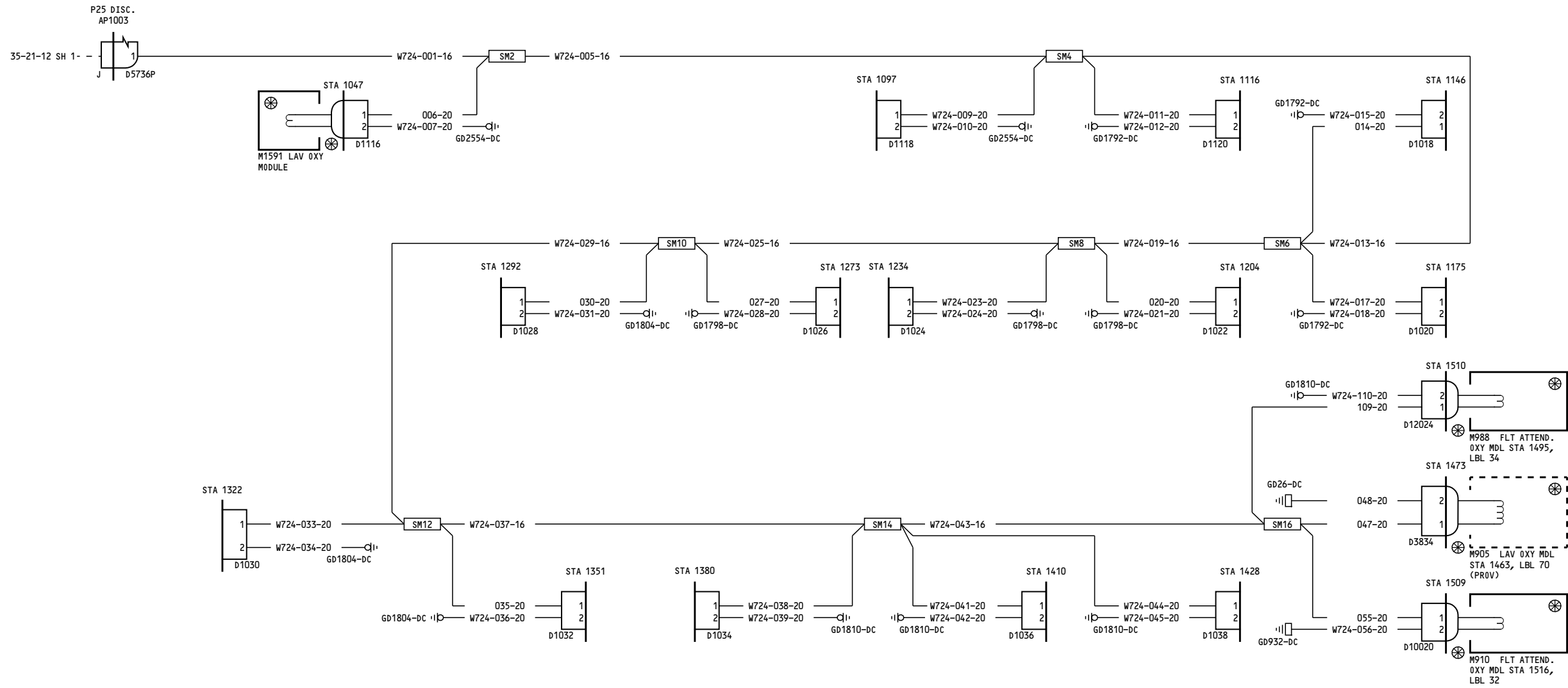
35-21-12

Page 1
Sheet 1
Jan 21/2005

D280T132

35-21-12

Page 1
Sheet 1
Jan 21/2005



050-099

OXYGEN MASK DEPLOYMENT-LEFT

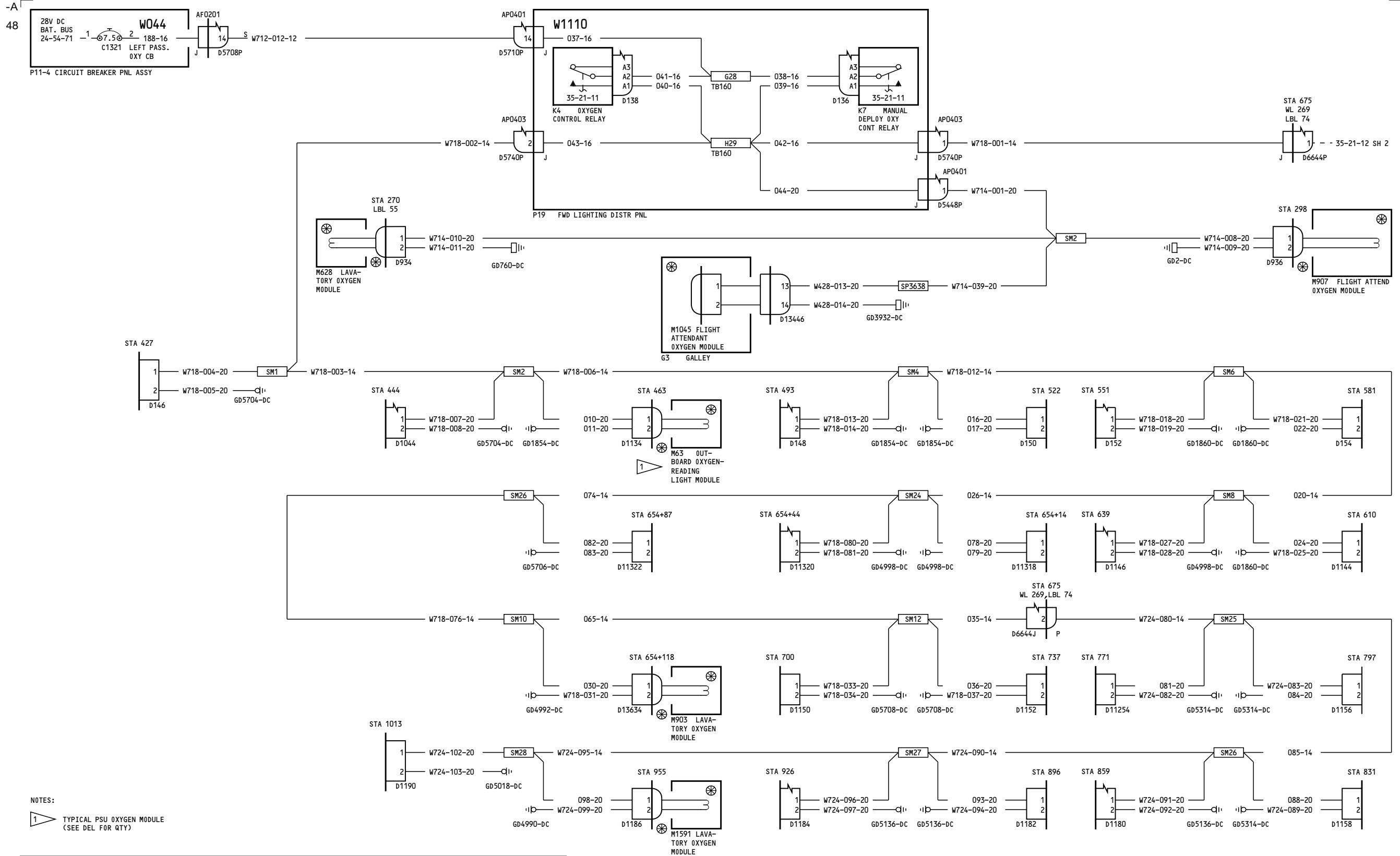
35-21-12

Page 1
Sheet 2
Jan 21/2005

D280T132

35-21-12

Page 1
Sheet 2
Jan 21/2005



NOTES:
 1 TYPICAL PSU OXYGEN MODULE (SEE DEL FOR QTY)

150-199

OXYGEN MASK DEPLOYMENT-LEFT

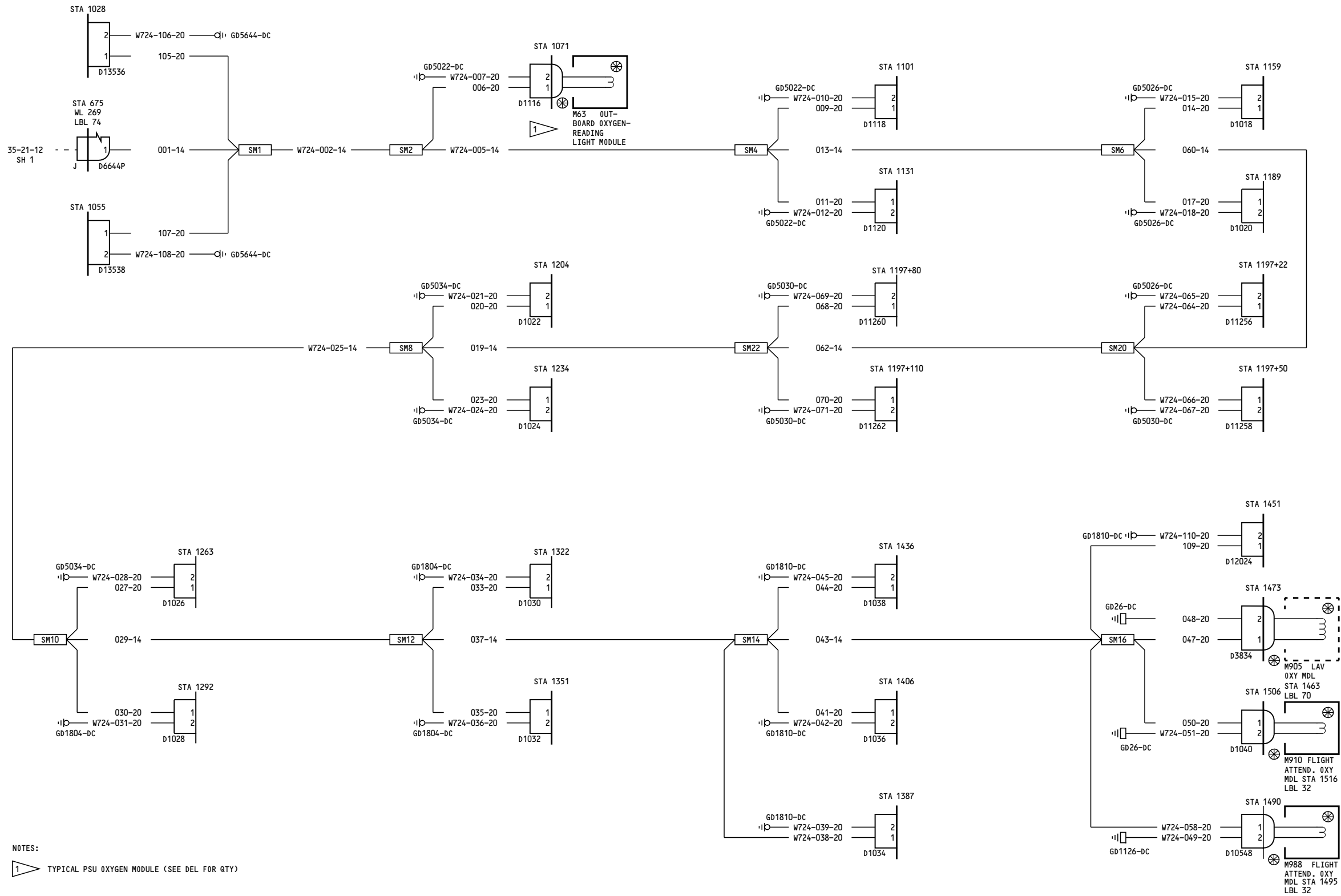
35-21-12

Page 2
Sheet 1
Jan 21/2005

D280T132

35-21-12

Page 2
Sheet 1
Jan 21/2005



150-199

OXYGEN MASK DEPLOYMENT-LEFT

D280T132

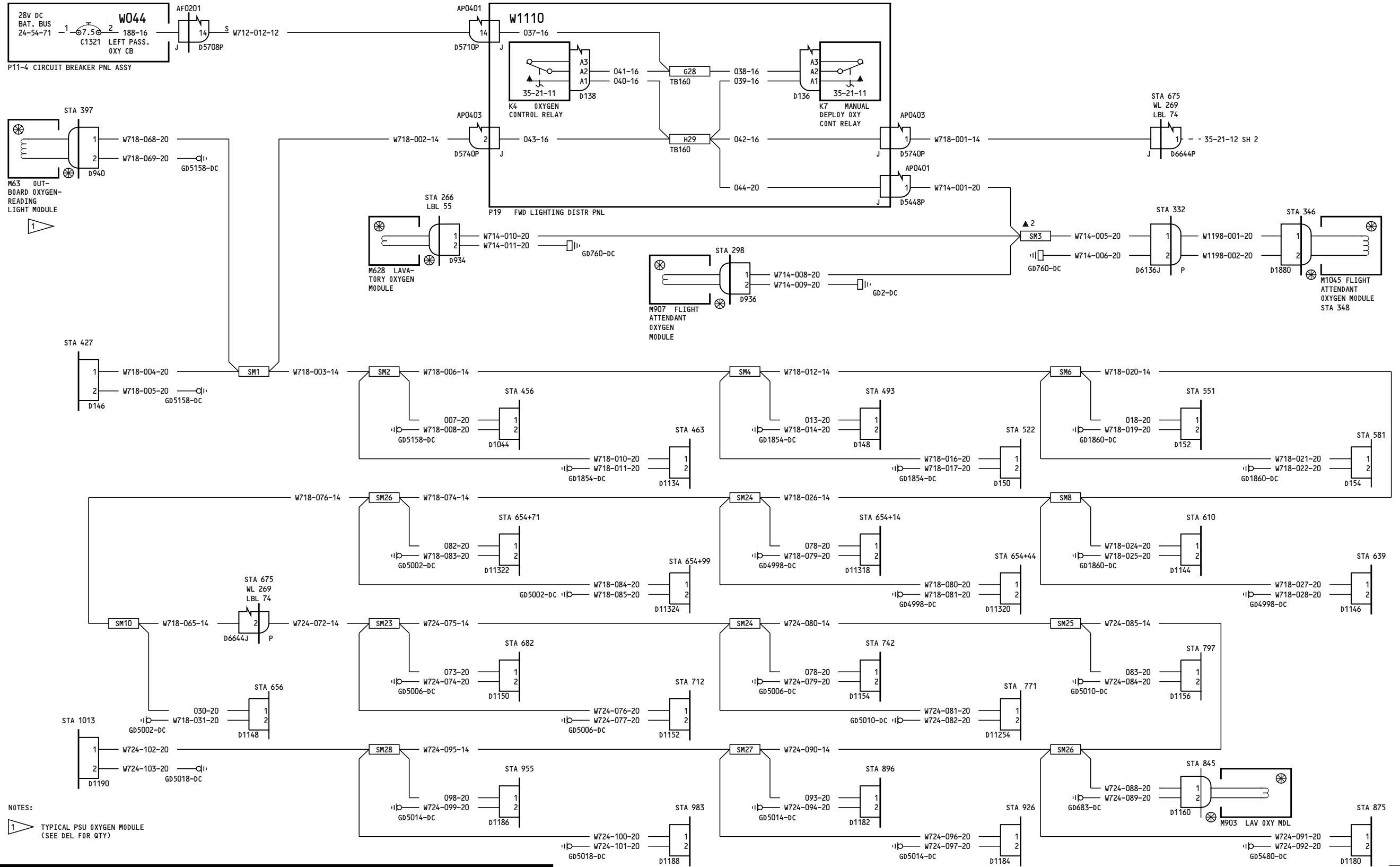
35-21-12

Page 2
Sheet 2
Jan 21/2005

35-21-12

Page 2
Sheet 2
Jan 21/2005

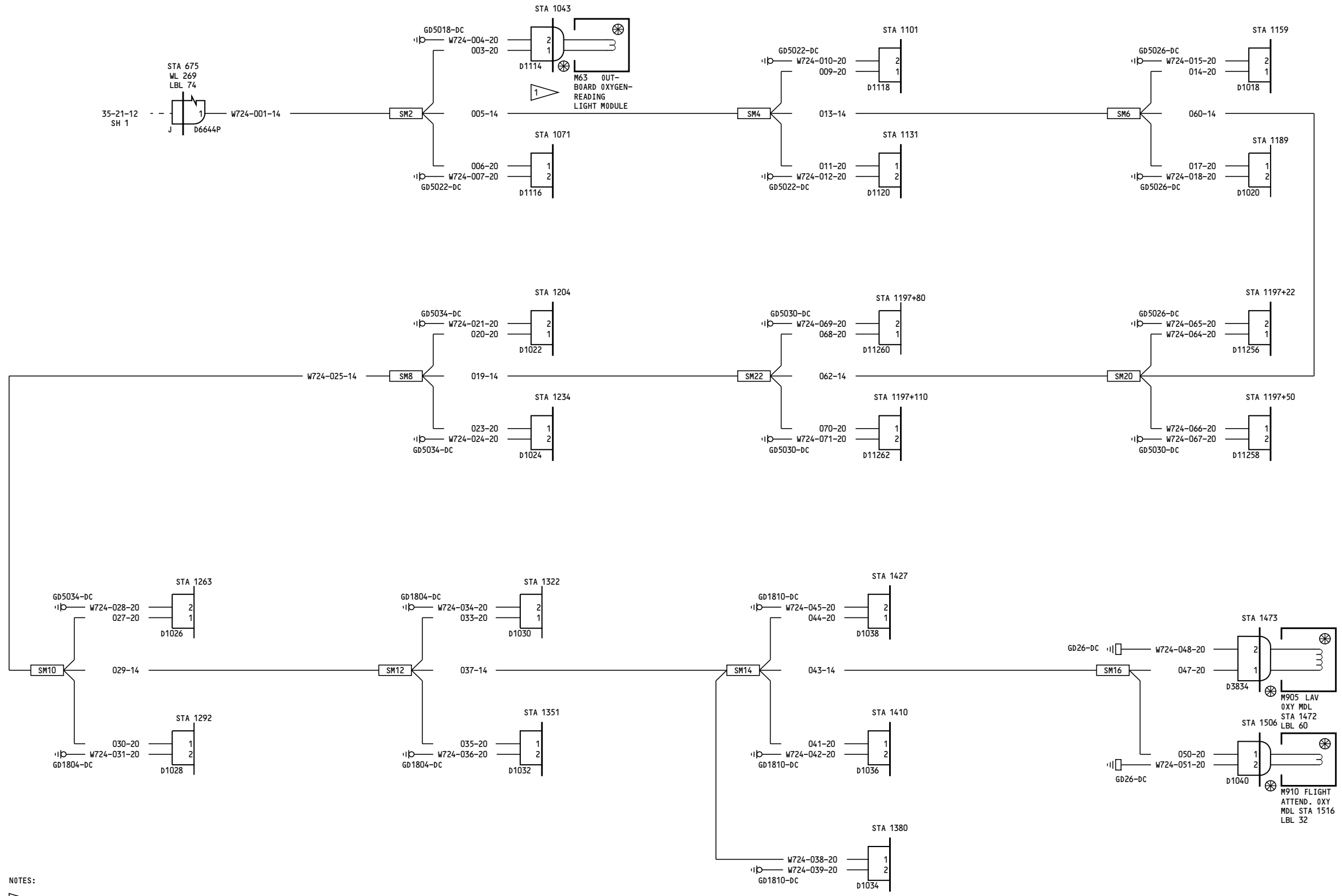
52



NOTES:
 1 TYPICAL PSU OXYGEN MODULE (SEE DEL FOR QTY)



767-200/300 WIRING DIAGRAM MANUAL



275-278

OXYGEN MASK DEPLOYMENT-LEFT

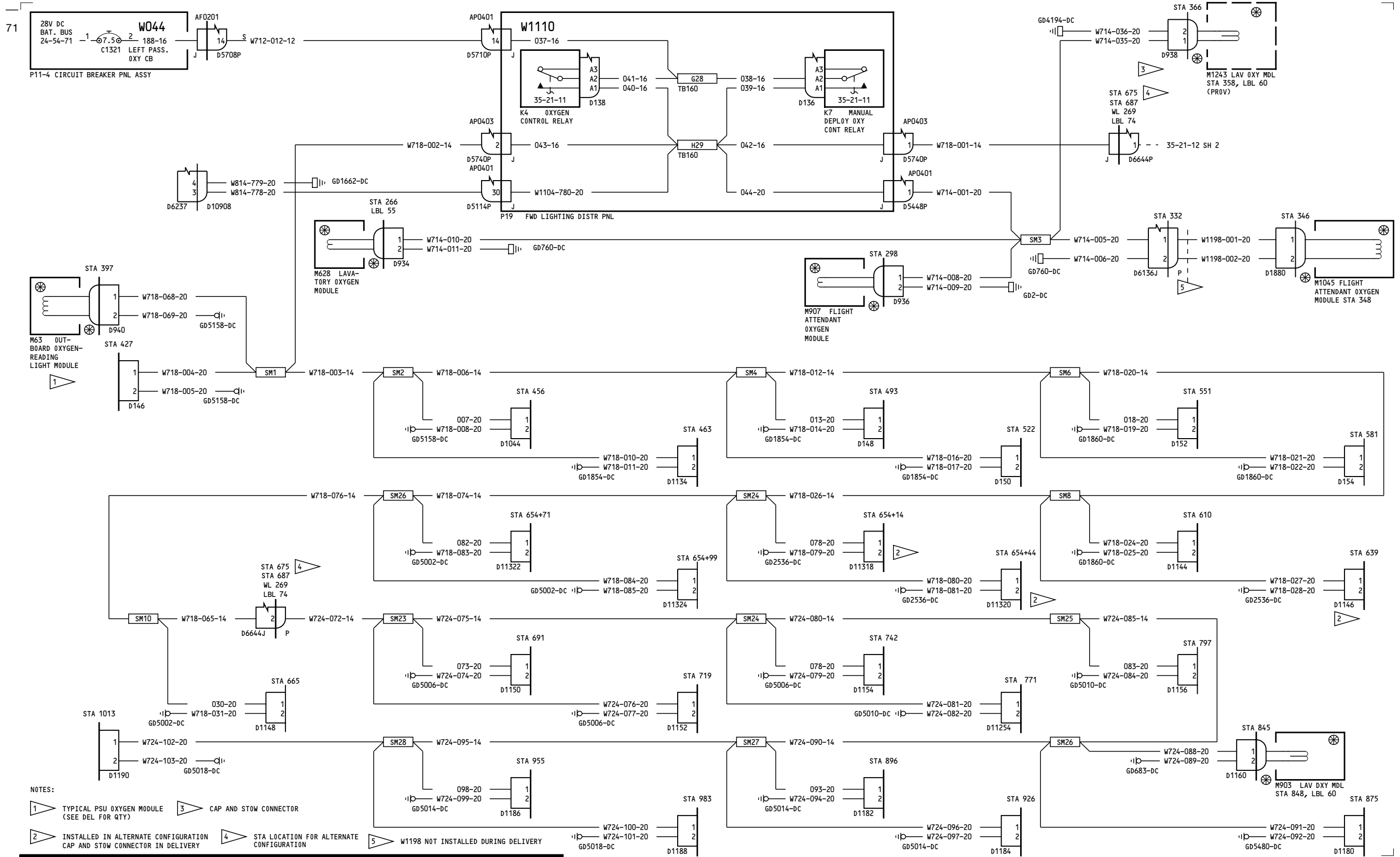
D280T132

35-21-12

Page 3
Sheet 2
Jan 21/2005

35-21-12

Page 3
Sheet 2
Jan 21/2005



- NOTES:
- 1 TYPICAL PSU OXYGEN MODULE (SEE DEL FOR QTY)
 - 2 INSTALLED IN ALTERNATE CONFIGURATION CAP AND STOW CONNECTOR IN DELIVERY
 - 3 CAP AND STOW CONNECTOR
 - 4 STA LOCATION FOR ALTERNATE CONFIGURATION
 - 5 W1198 NOT INSTALLED DURING DELIVERY

280-299

OXYGEN MASK DEPLOYMENT-LEFT

D280T132

35-21-12

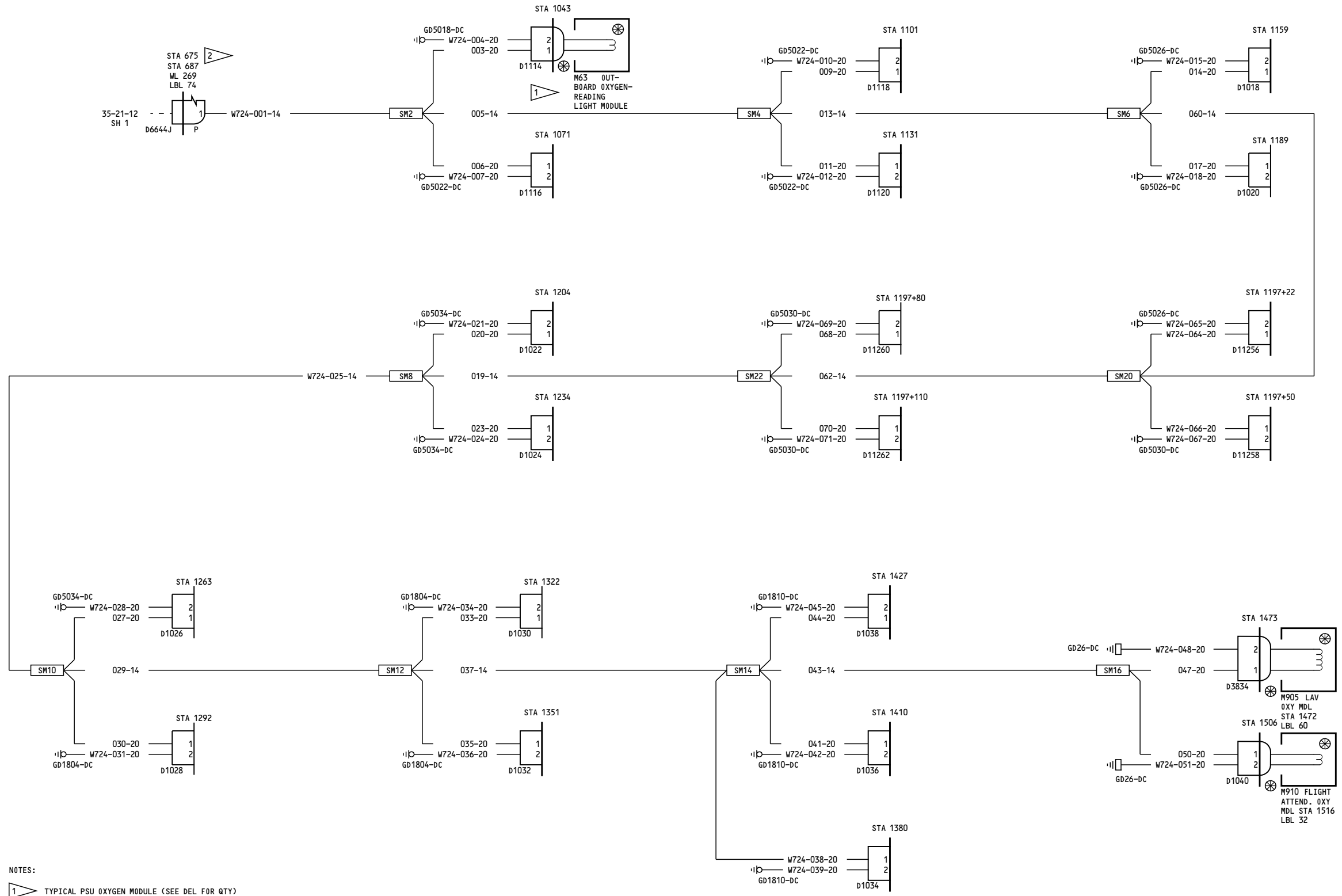
Page 4
Sheet 1
Jan 21/2005

35-21-12

Page 4
Sheet 1
Jan 21/2005



767-200/300 WIRING DIAGRAM MANUAL

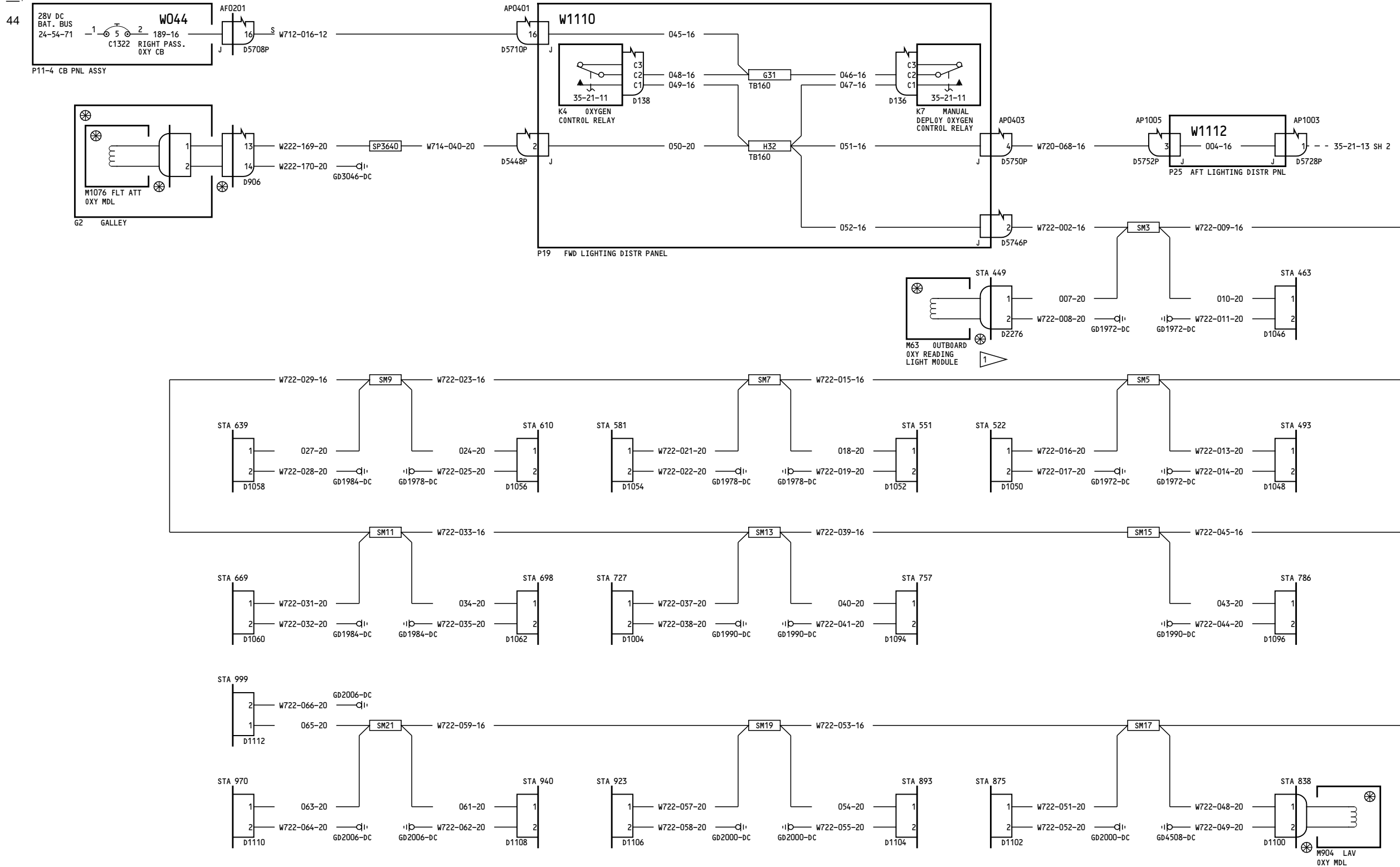


NOTES:
 1 TYPICAL PSU OXYGEN MODULE (SEE DEL FOR QTY)
 2 STA LOCATION FOR ALTERNATE CONFIGURATION

280-299	OXYGEN MASK DEPLOYMENT-LEFT D280T132
---------	--

35-21-12
 Page 4
 Sheet 2
 Jan 21/2005

35-21-12
 Page 4
 Sheet 2
 Jan 21/2005



NOTES:
 1 TYPICAL PSU OXYGEN MODULE (SEE DEL FOR QTY)

050-099

OXYGEN MASK DEPLOYMENT- RIGHT

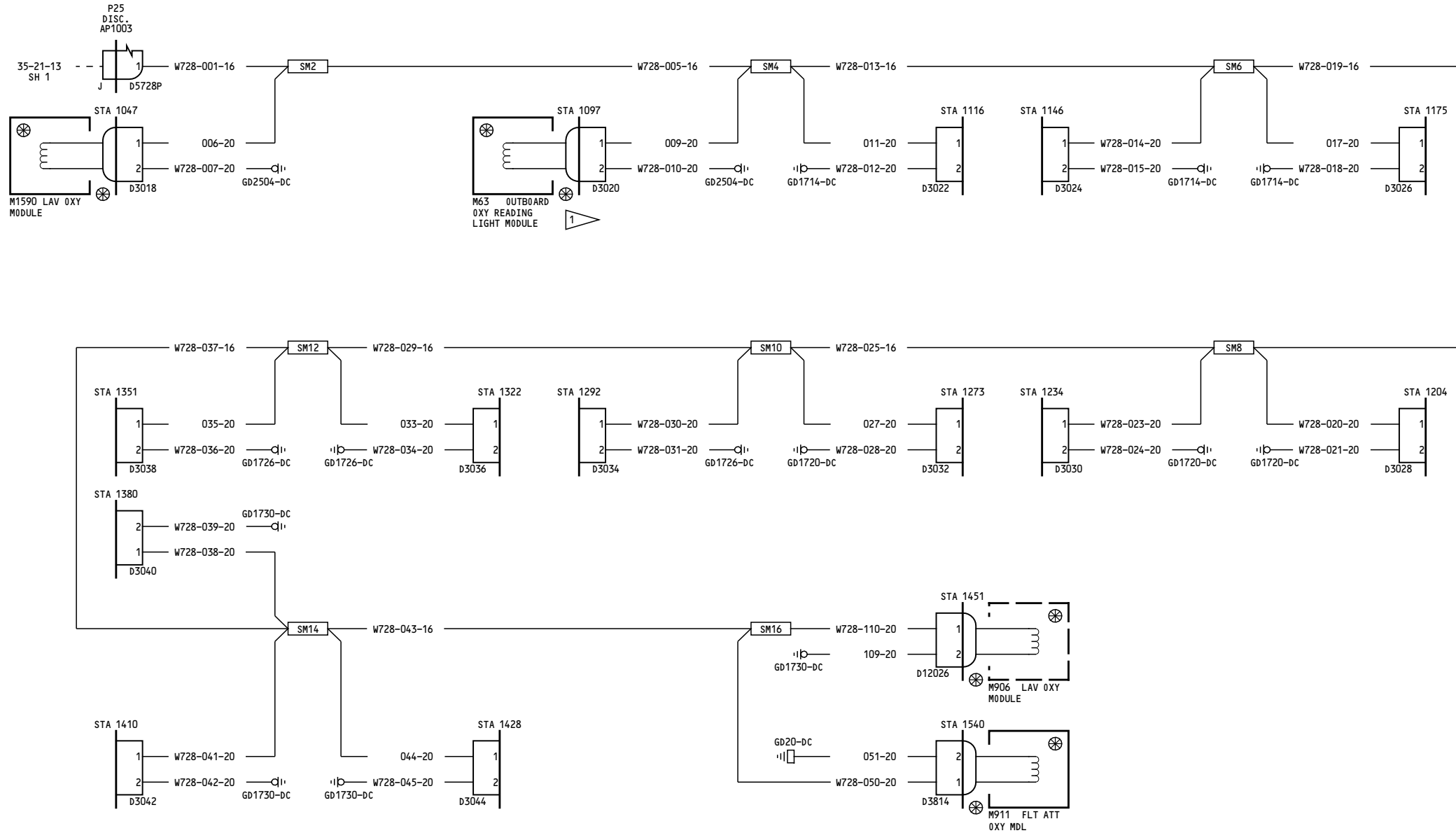
D280T132

35-21-13

Page 1
Sheet 1
Jan 21/2005

35-21-13

Page 1
Sheet 1
Jan 21/2005



NOTES:
 1 TYPICAL PSU OXYGEN MODULE
 (SEE DEL FOR QTY)

050-099

**OXYGEN MASK DEPLOYMENT-
RIGHT**

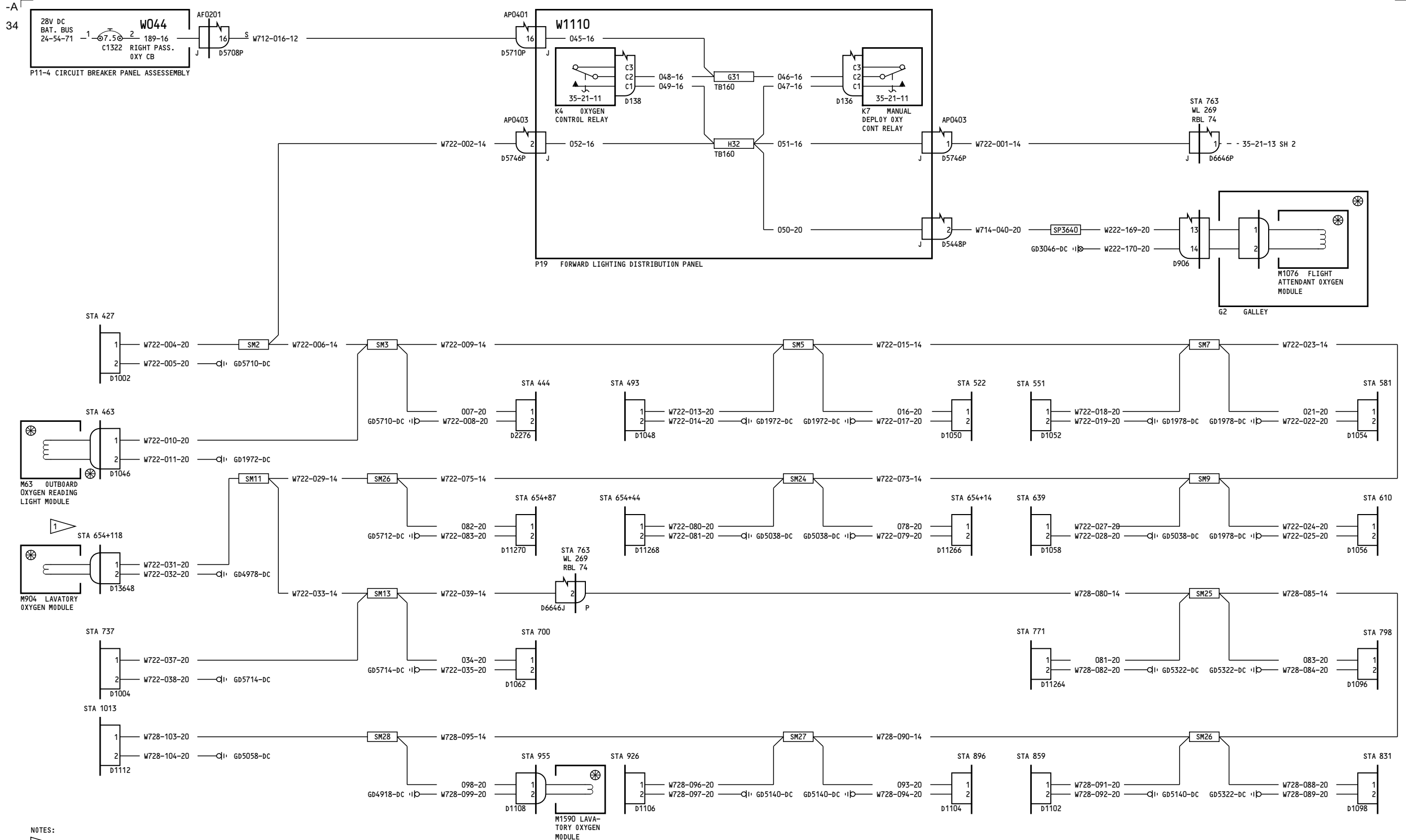
D280T132

35-21-13

Page 1
Sheet 2
Jan 21/2005

35-21-13

Page 1
Sheet 2
Jan 21/2005

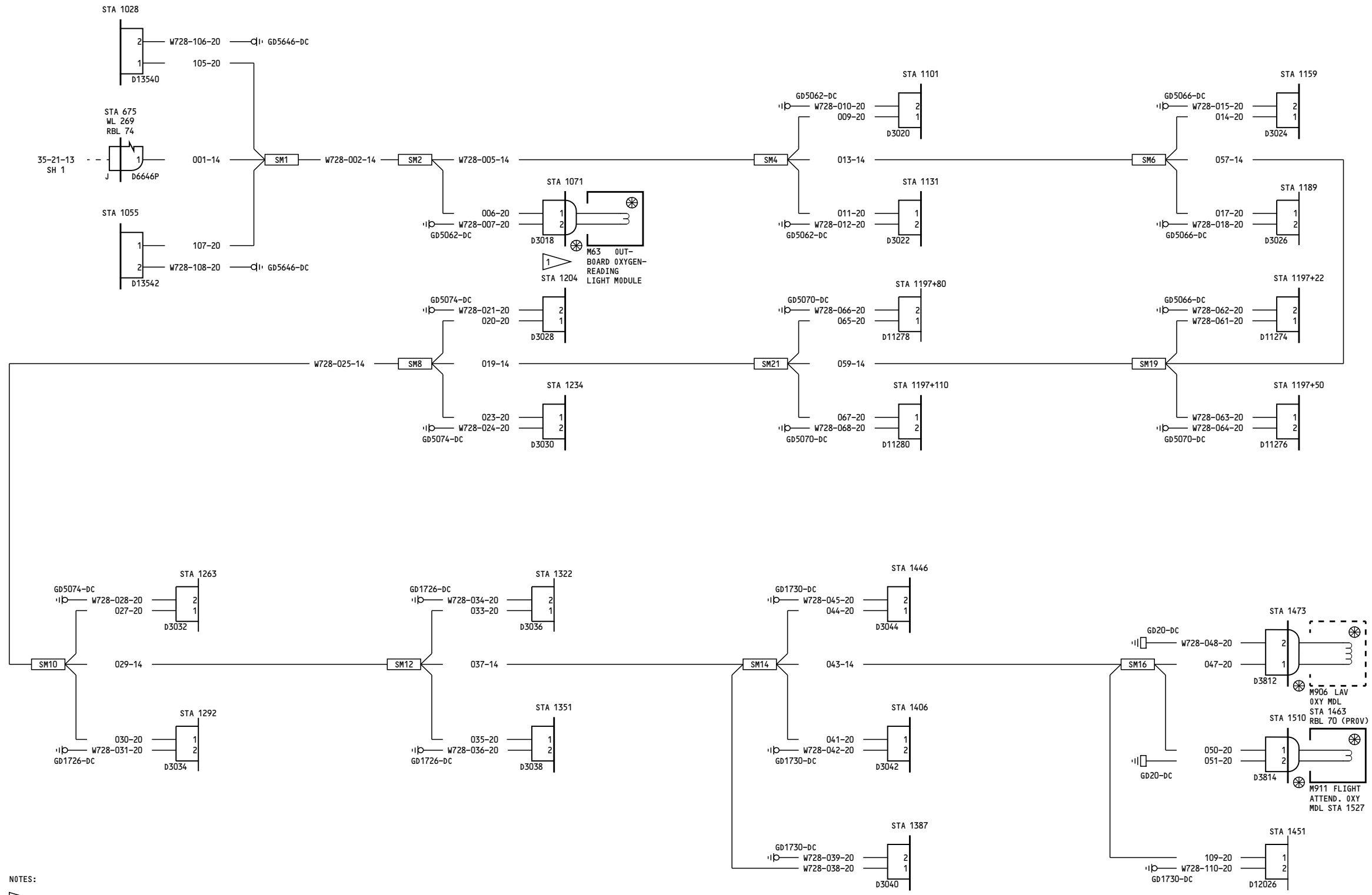


NOTES:
 1 TYPICAL PSU OXYGEN MODULE
 (SEE DEL FOR QTY)

150-157	OXYGEN MASK DEPLOYMENT- RIGHT
	35-21-13
	Page 2 Sheet 1 Jan 21/2005
	D280T132

35-21-13

Page 2
Sheet 1
Jan 21/2005



NOTES:
 TYPICAL PSU OXYGEN MODULE (SEE DEL FOR QTY)

150-157

**OXYGEN MASK DEPLOYMENT-
RIGHT**

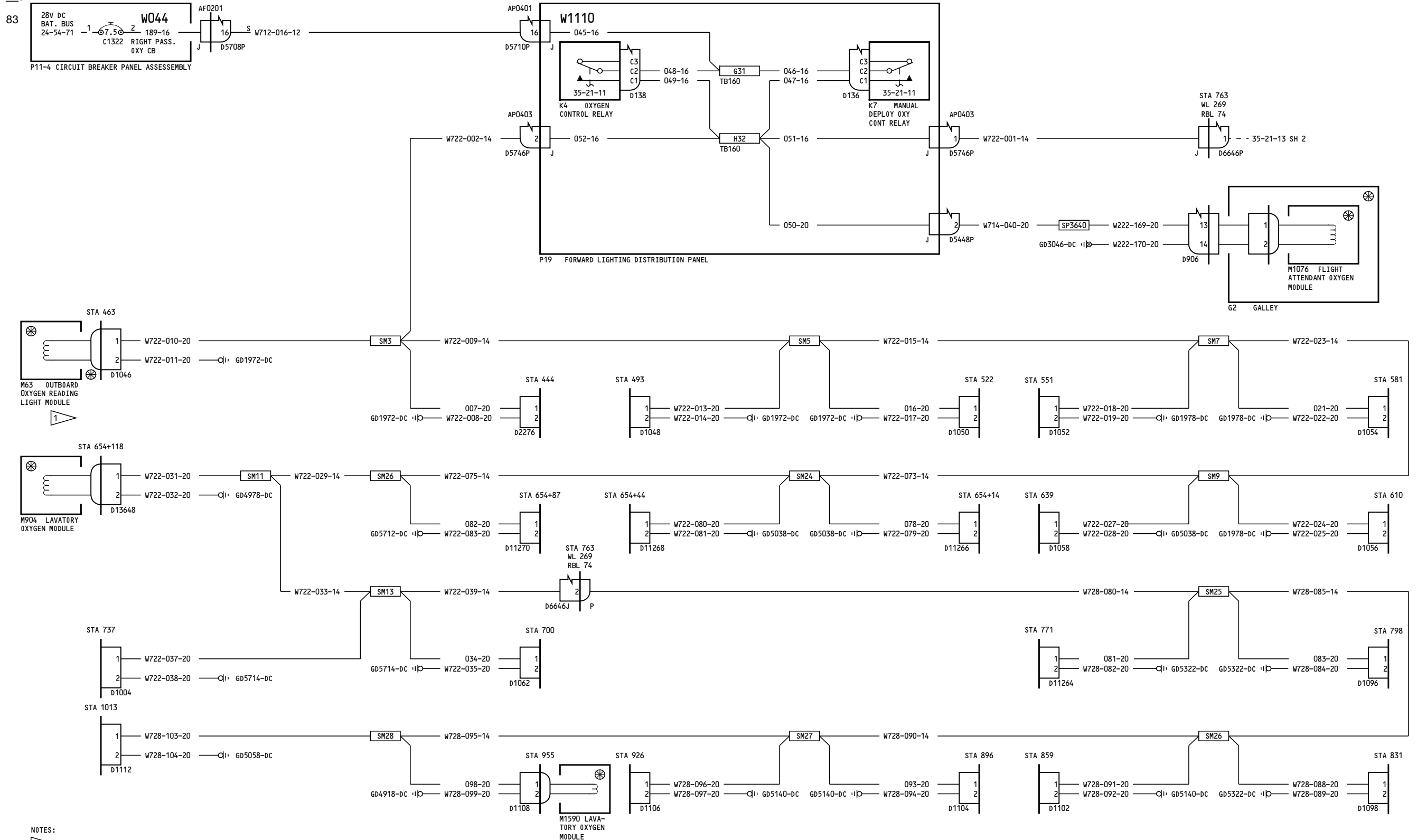
D280T132

35-21-13

Page 2
Sheet 2
Jan 21/2005

35-21-13

Page 2
Sheet 2
Jan 21/2005



NOTES:
 1 TYPICAL PSU OXYGEN MODULE
 (SEE DEL FOR QTY)

162-199

**OXYGEN MASK DEPLOYMENT-
 RIGHT**

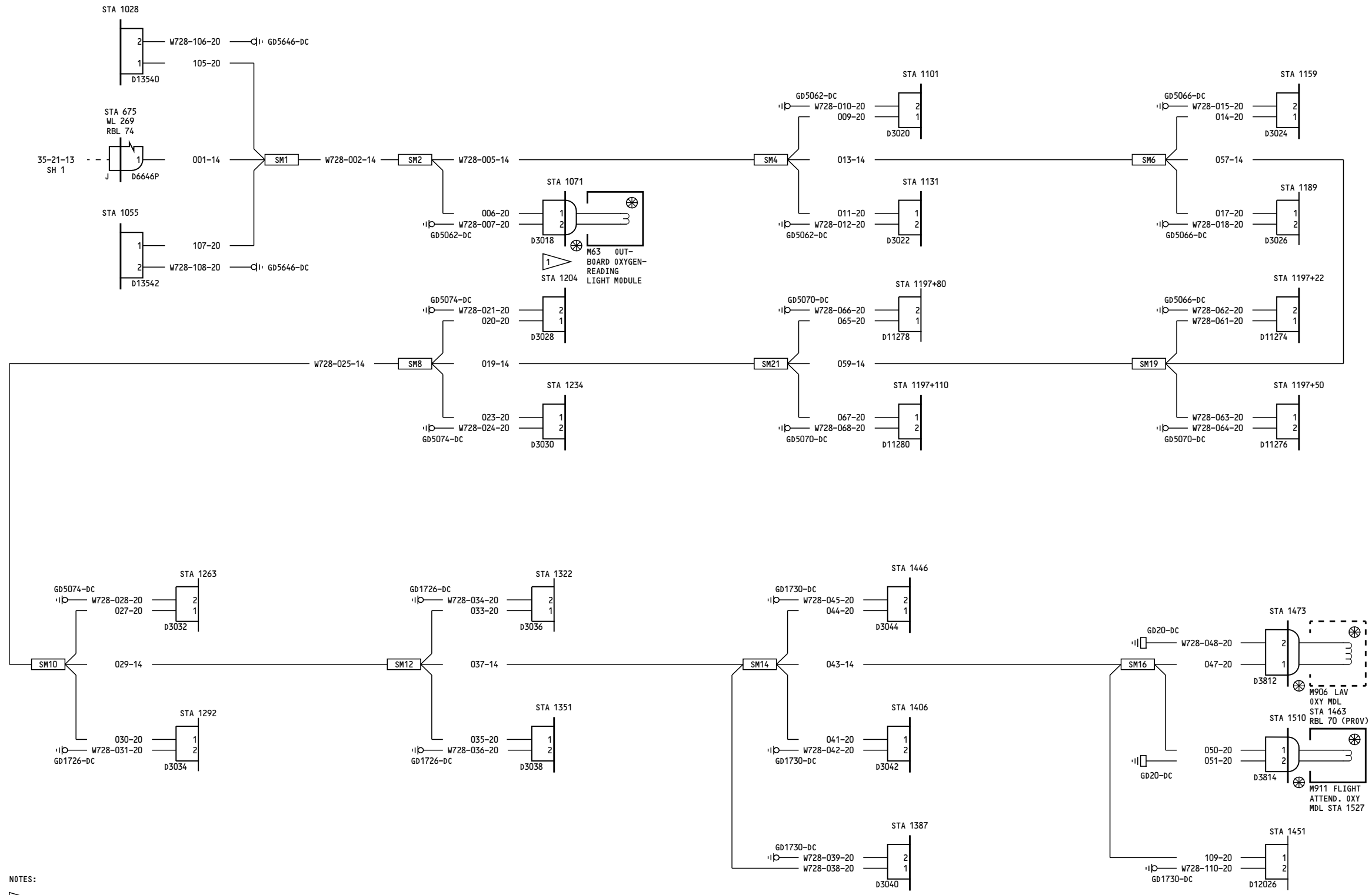
D280T132

35-21-13

Page 3
 Sheet 1
 Jan 21/2005

35-21-13

Page 3
 Sheet 1
 Jan 21/2005



NOTES:
 1 TYPICAL PSU OXYGEN MODULE (SEE DEL FOR QTY)

162-199

**OXYGEN MASK DEPLOYMENT-
RIGHT**

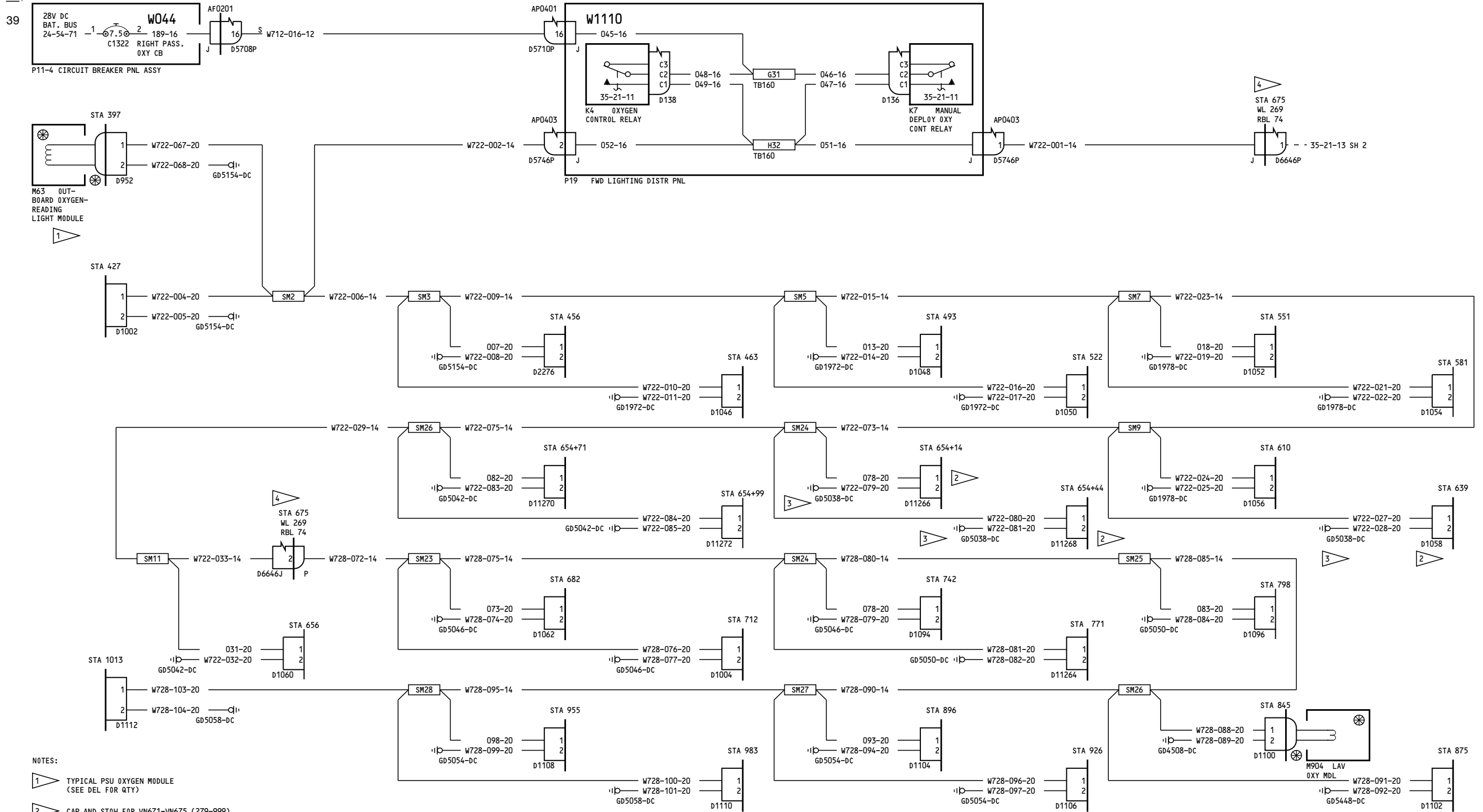
D280T132

35-21-13

Page 3
Sheet 2
Jan 21/2005

35-21-13

Page 3
Sheet 2
Jan 21/2005



- NOTES:
- 1 TYPICAL PSU OXYGEN MODULE (SEE DEL FOR QTY)
 - 2 CAP AND STOW FOR VN671-VN675 (279-999)
 - 3 GD2490 FOR VN671-VN675 (279-999)
 - 4 STA 687 FOR DELIVERED CONFIGURATION AND STA 675 FOR ALTERNATE CONFIGURATION FOR VN671-VN675 (279-999)

275-299

OXYGEN MASK DEPLOYMENT-RIGHT

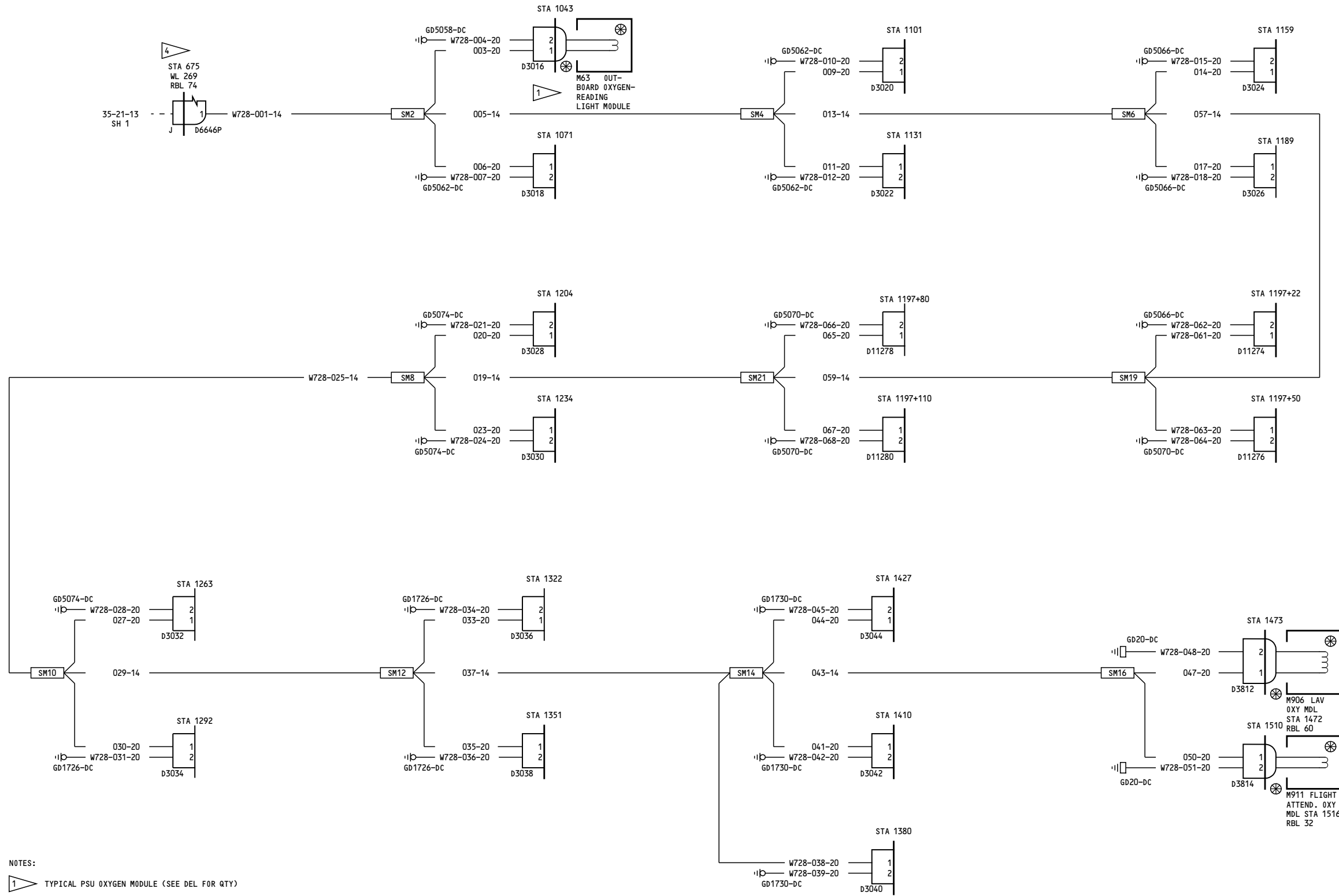
35-21-13

Page 4
Sheet 1
Jan 21/2005

D280T132

35-21-13

Page 4
Sheet 1
Jan 21/2005



NOTES:
 1 TYPICAL PSU OXYGEN MODULE (SEE DEL FOR QTY)
 4 STA 687 FOR DELIVERED CONFIGURATION AND STA 675 FOR ALTERNATE CONFIGURATION FOR VN671-VN675 (279-999)

275-299

**OXYGEN MASK DEPLOYMENT-
RIGHT**

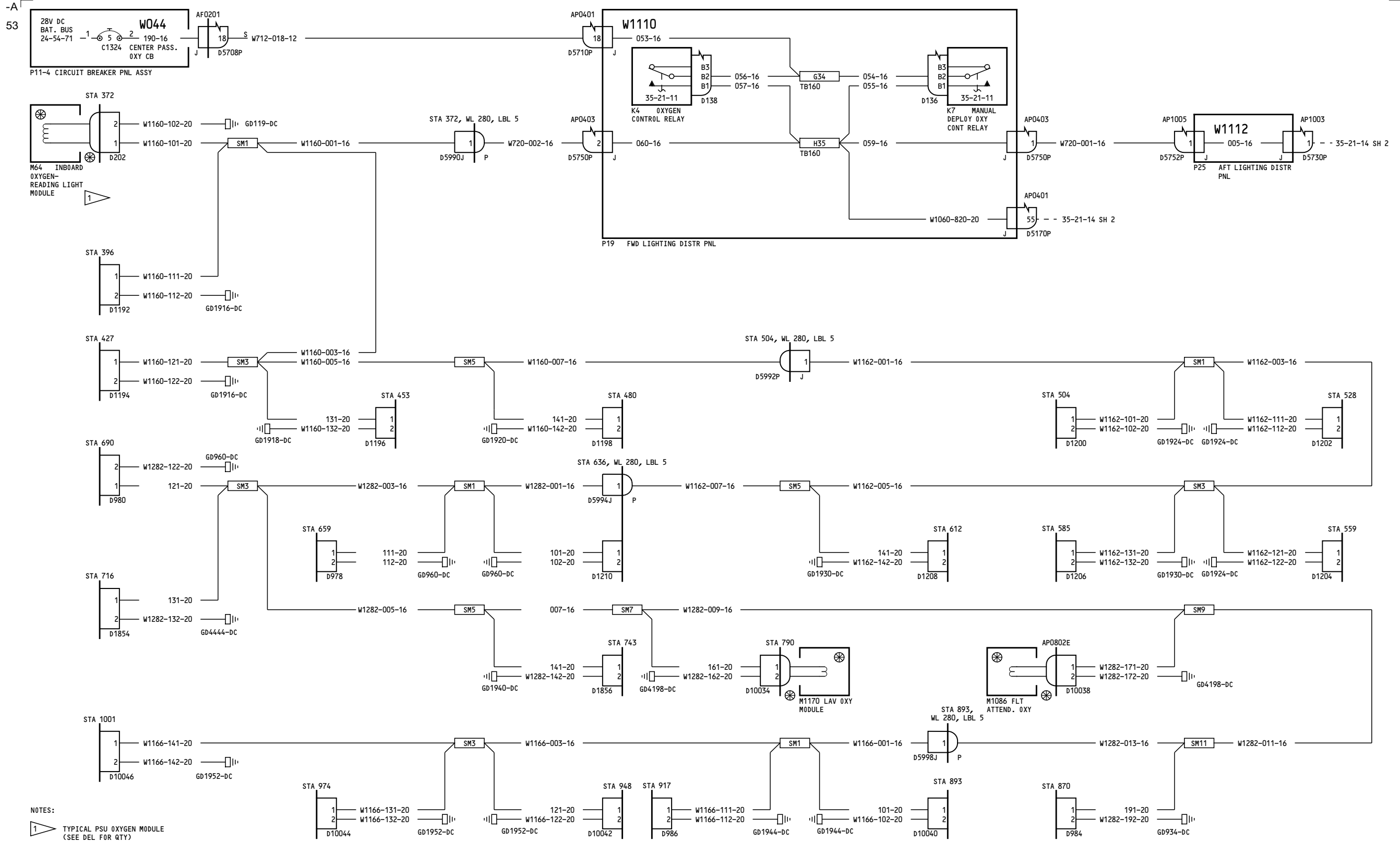
D280T132

35-21-13

Page 4
Sheet 2
Jan 21/2005

35-21-13

Page 4
Sheet 2
Jan 21/2005



NOTES:
 1 TYPICAL PSU OXYGEN MODULE (SEE DEL FOR QTY)

050-099

OXYGEN MASK DEPLOYMENT-CENTER

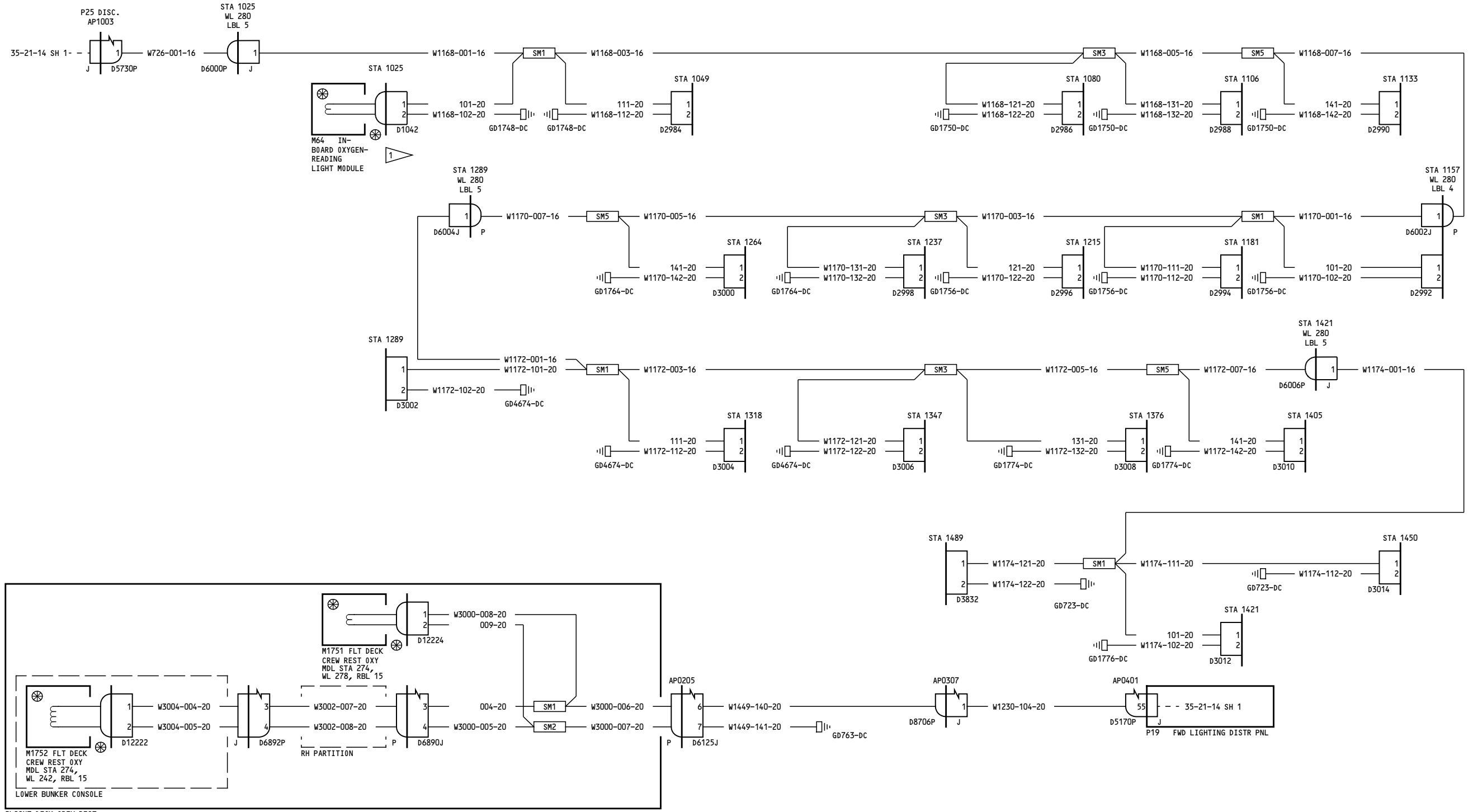
D280T132

35-21-14

Page 1
Sheet 1
Jan 21/2005

35-21-14

Page 1
Sheet 1
Jan 21/2005



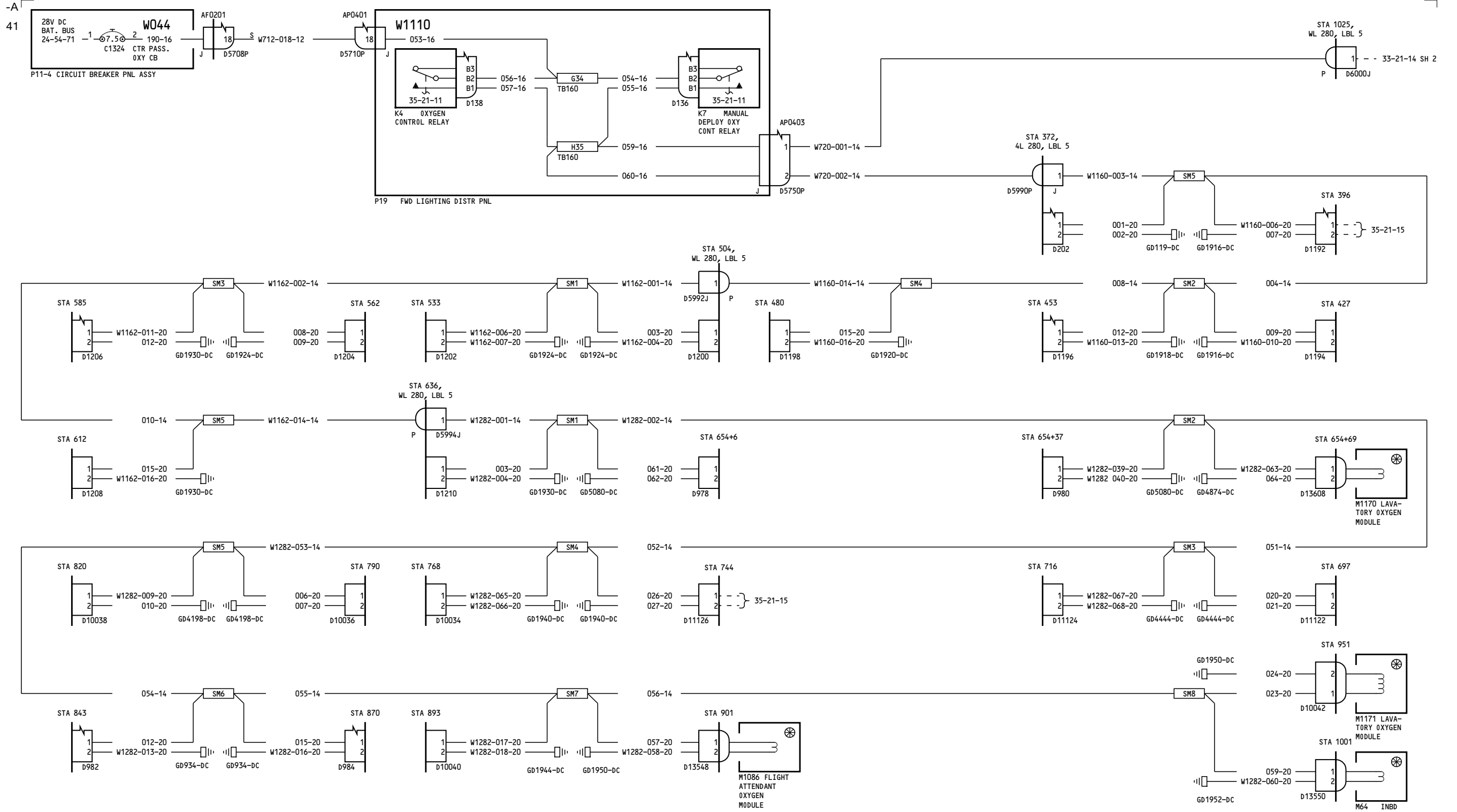
NOTES:
 1 TYPICAL PSU OXYGEN MODULE (SEE DEL FOR QTY)

050-099

OXYGEN MASK DEPLOYMENT-CENTER
 D280T132

35-21-14
 Page 1
 Sheet 2
 Jan 21/2005

35-21-14
 Page 1
 Sheet 2
 Jan 21/2005



150-157

OXYGEN MASK DEPLOYMENT-CENTER

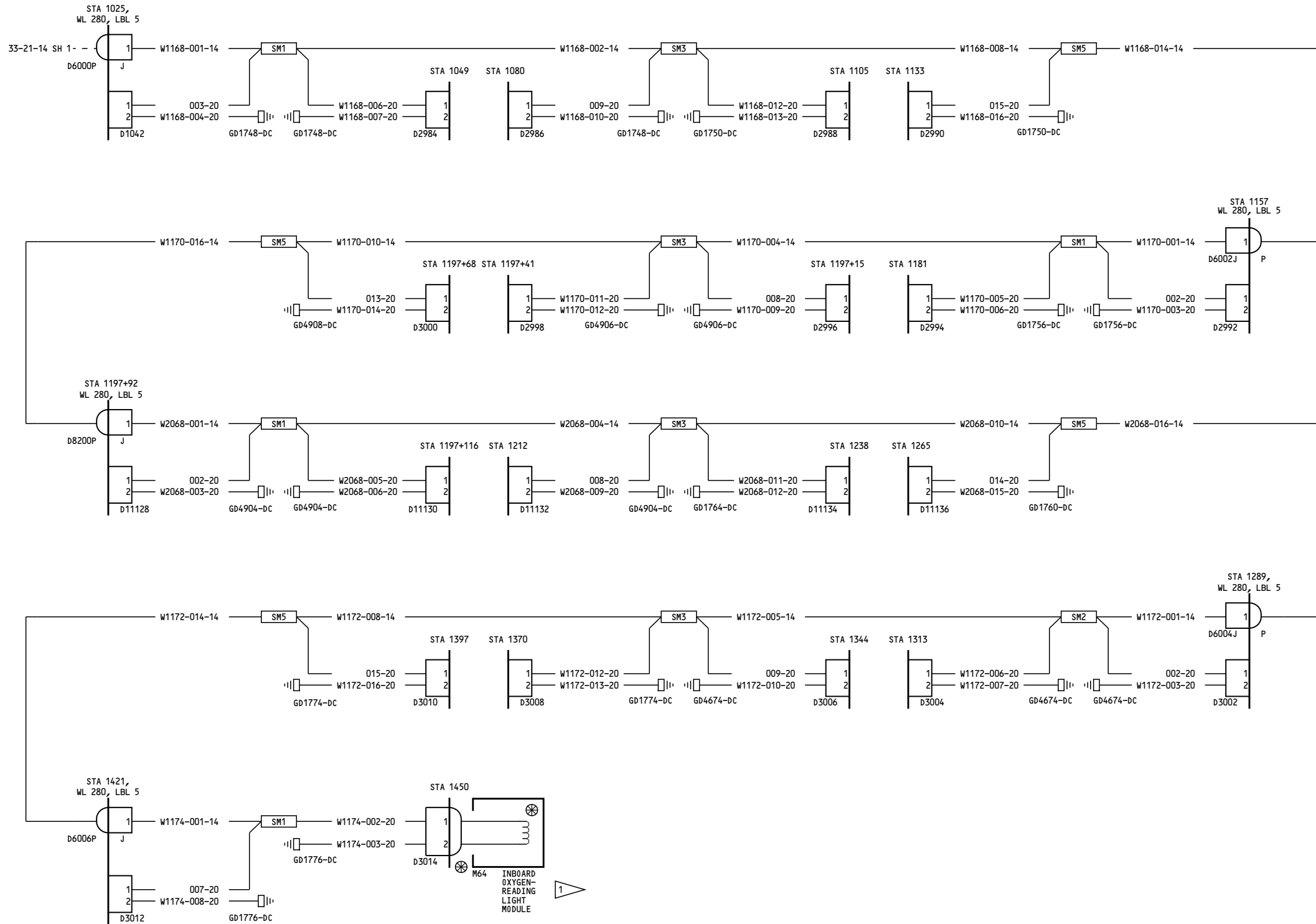
35-21-14

Page 2
Sheet 1
Jan 21/2005

D280T132

35-21-14

Page 2
Sheet 1
Jan 21/2005



NOTES:
 1 TYPICAL PSU OXYGEN MODULE
 (SEE DEL FOR QUANTITY)

150-157

OXYGEN MASK DEPLOYMENT-CENTER

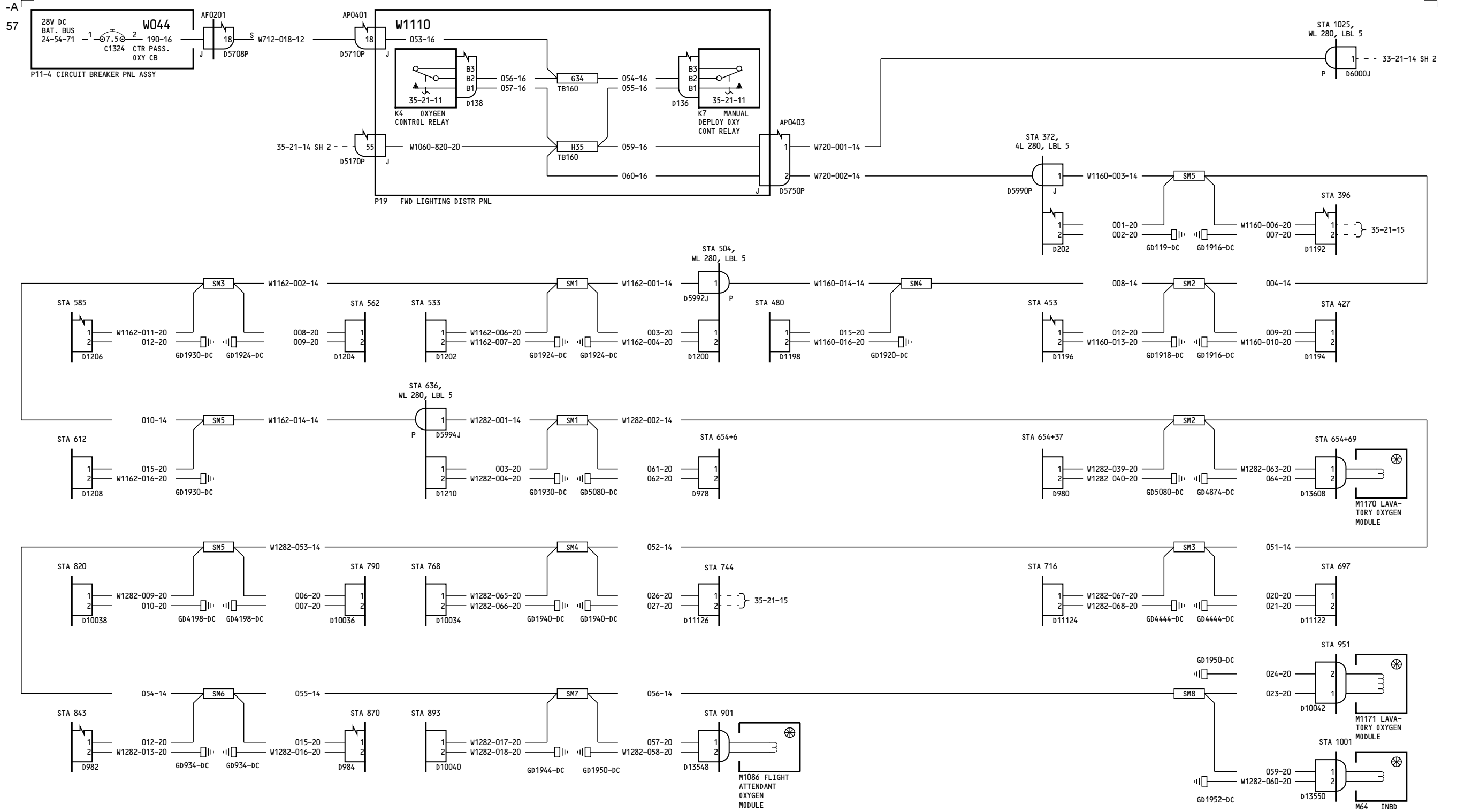
D280T132

35-21-14

Page 2
Sheet 2
Jan 21/2005

35-21-14

Page 2
Sheet 2
Jan 21/2005



162-199

OXYGEN MASK DEPLOYMENT-CENTER

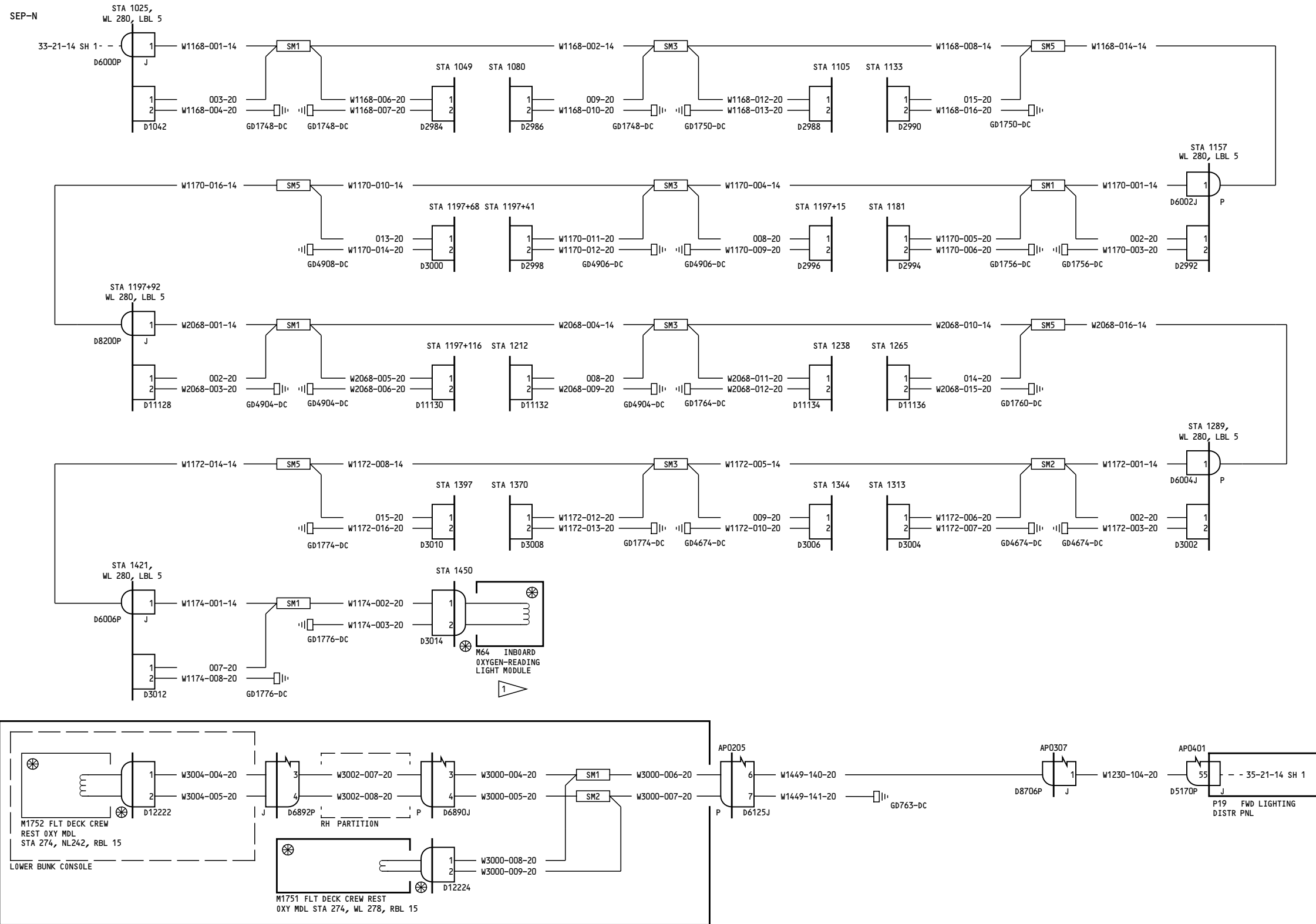
35-21-14

Page 3
Sheet 1
Jan 21/2005

D280T132

35-21-14

Page 3
Sheet 1
Jan 21/2005



NOTES:
 1 TYPICAL PSU OXYGEN MODULE
 (SEE DEL FOR QUANTITY)

162-199

OXYGEN MASK DEPLOYMENT-CENTER

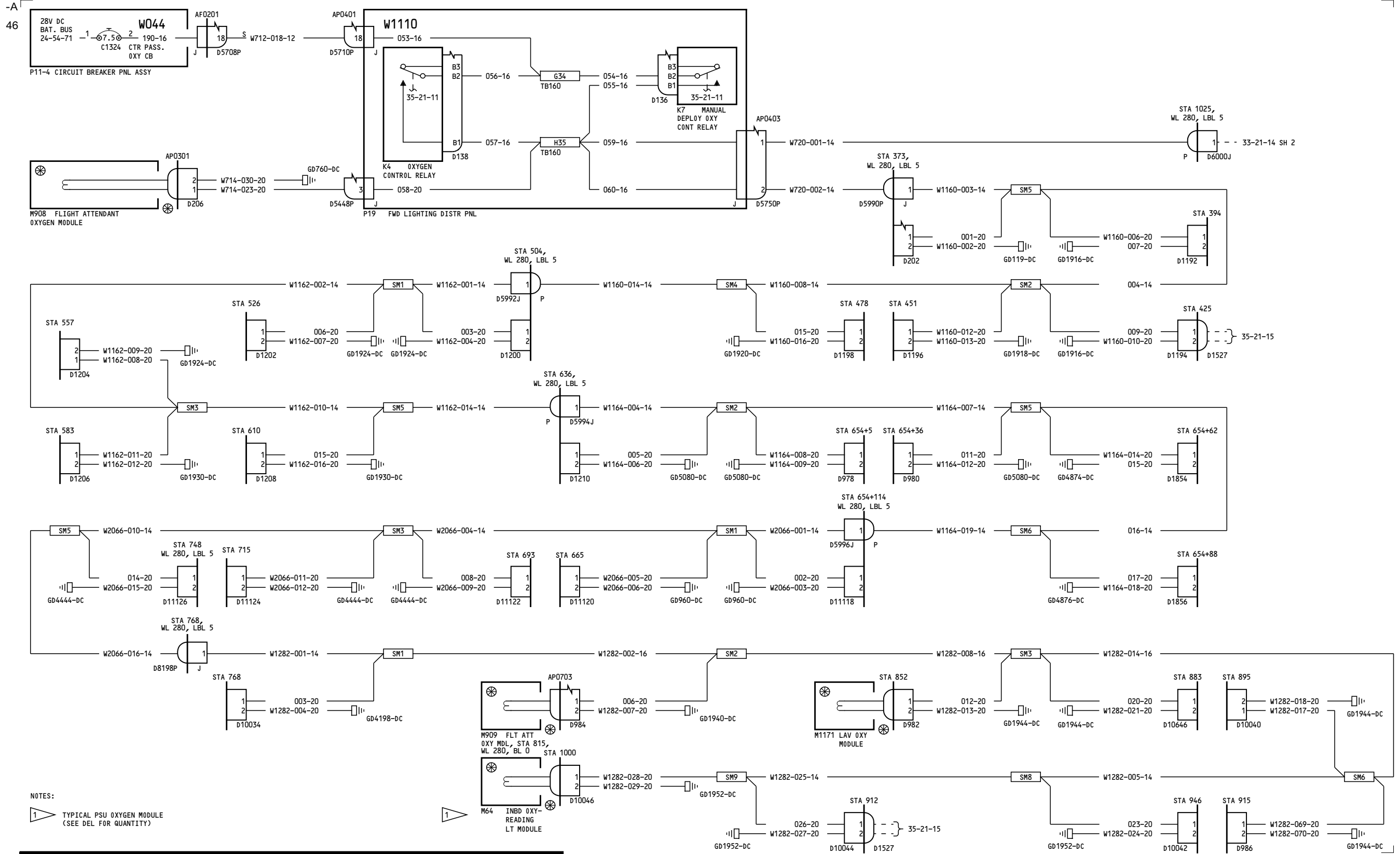
35-21-14

D280T132

Page 3
 Sheet 2
 Jan 21/2005

35-21-14

Page 3
 Sheet 2
 Jan 21/2005



NOTES:
 1 TYPICAL PSU OXYGEN MODULE (SEE DEL FOR QUANTITY)

275

OXYGEN MASK DEPLOYMENT-CENTER

D280T132

35-21-14

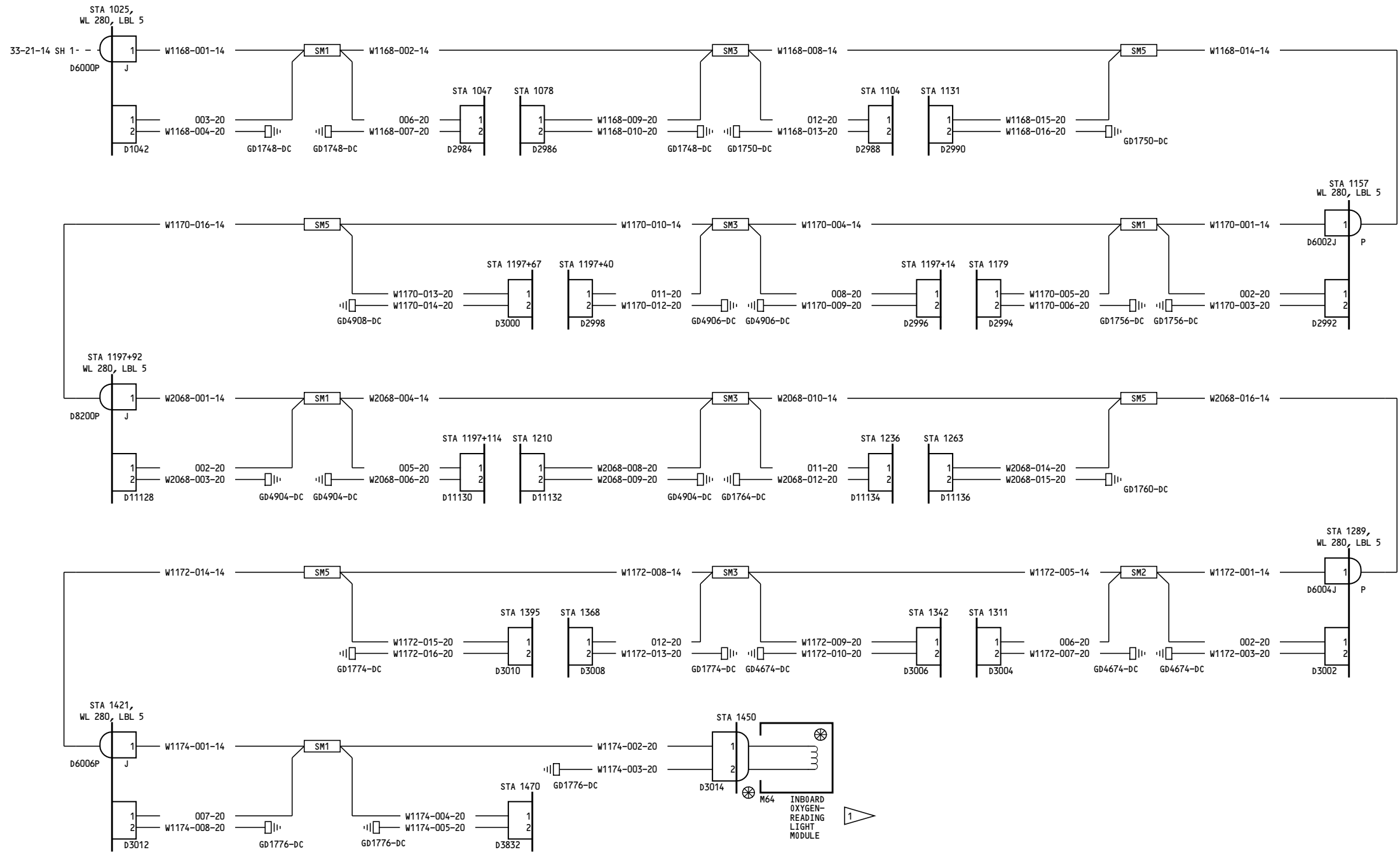
Page 4
 Sheet 1
 Jan 21/2005

35-21-14

Page 4
 Sheet 1
 Jan 21/2005



767-200/300 WIRING DIAGRAM MANUAL



NOTES:
 1 TYPICAL PSU OXYGEN MODULE
 (SEE DEL FOR QUANTITY)

275

OXYGEN MASK DEPLOYMENT-CENTER

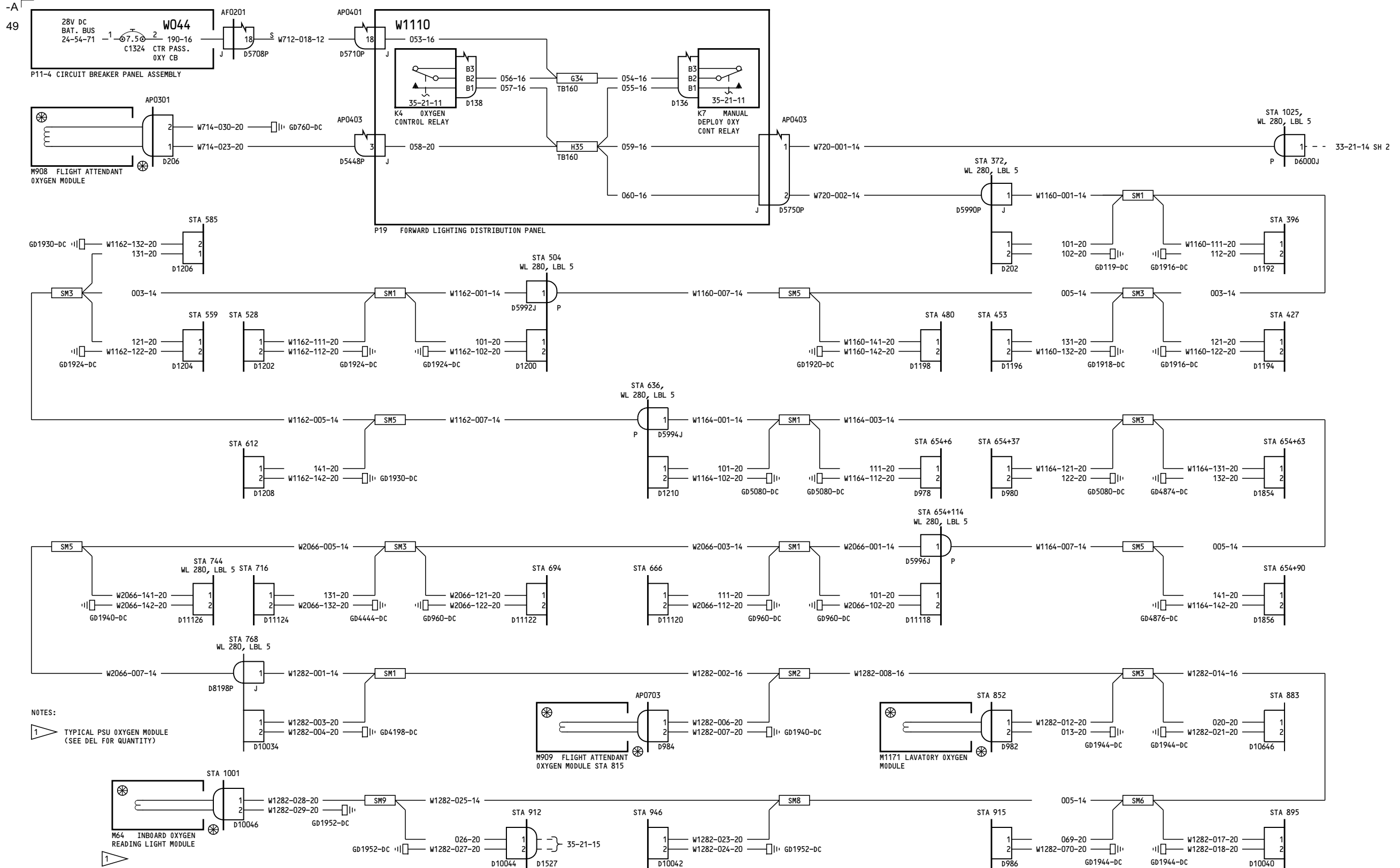
35-21-14

Page 4
 Sheet 2
 Jan 21/2005

D280T132

35-21-14

Page 4
 Sheet 2
 Jan 21/2005



NOTES:
 1 TYPICAL PSU OXYGEN MODULE (SEE DEL FOR QUANTITY)

276-278

OXYGEN MASK DEPLOYMENT-CENTER

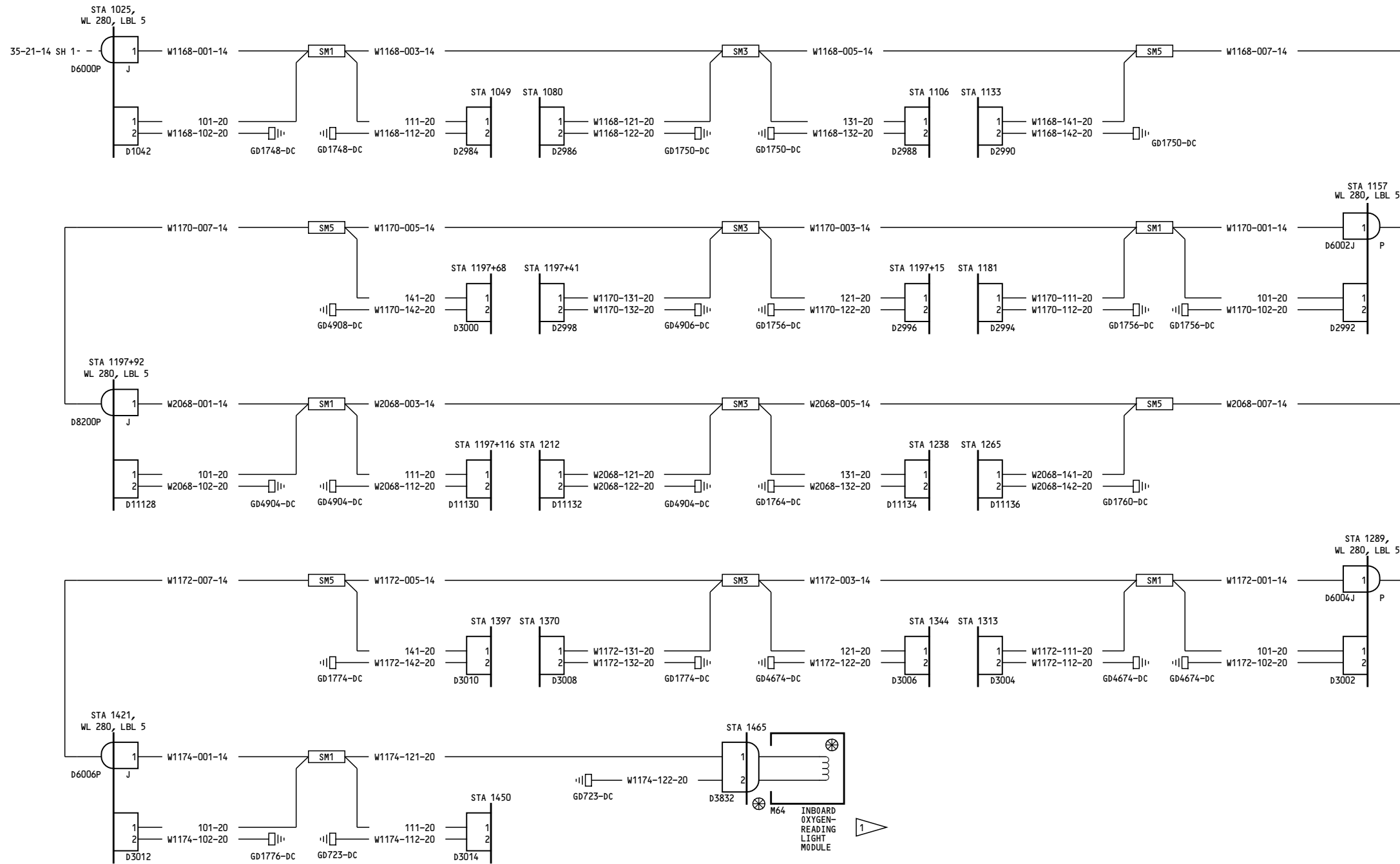
D280T132

35-21-14

Page 5
Sheet 1
Jan 21/2005

35-21-14

Page 5
Sheet 1
Jan 21/2005



NOTES:
 1 TYPICAL PSU OXYGEN MODULE
 (SEE DEL FOR QUANTITY)

276-278

OXYGEN MASK DEPLOYMENT-CENTER

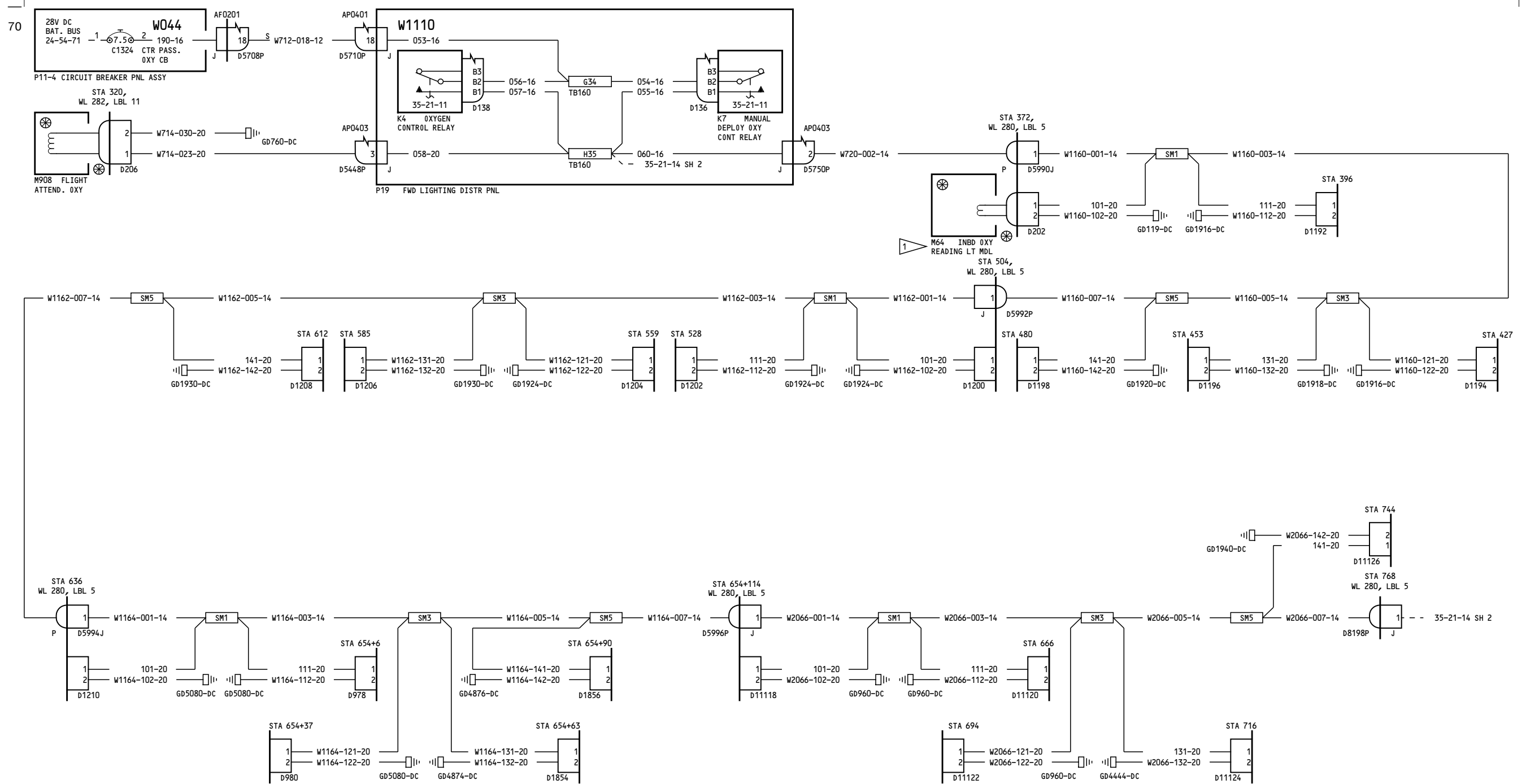
D280T132

35-21-14

Page 5
 Sheet 2
 Jan 21/2005

35-21-14

Page 5
 Sheet 2
 Jan 21/2005



NOTES:
 1 TYPICAL PSU OXYGEN MODULE
 (SEE DEL FOR QUANTITY)

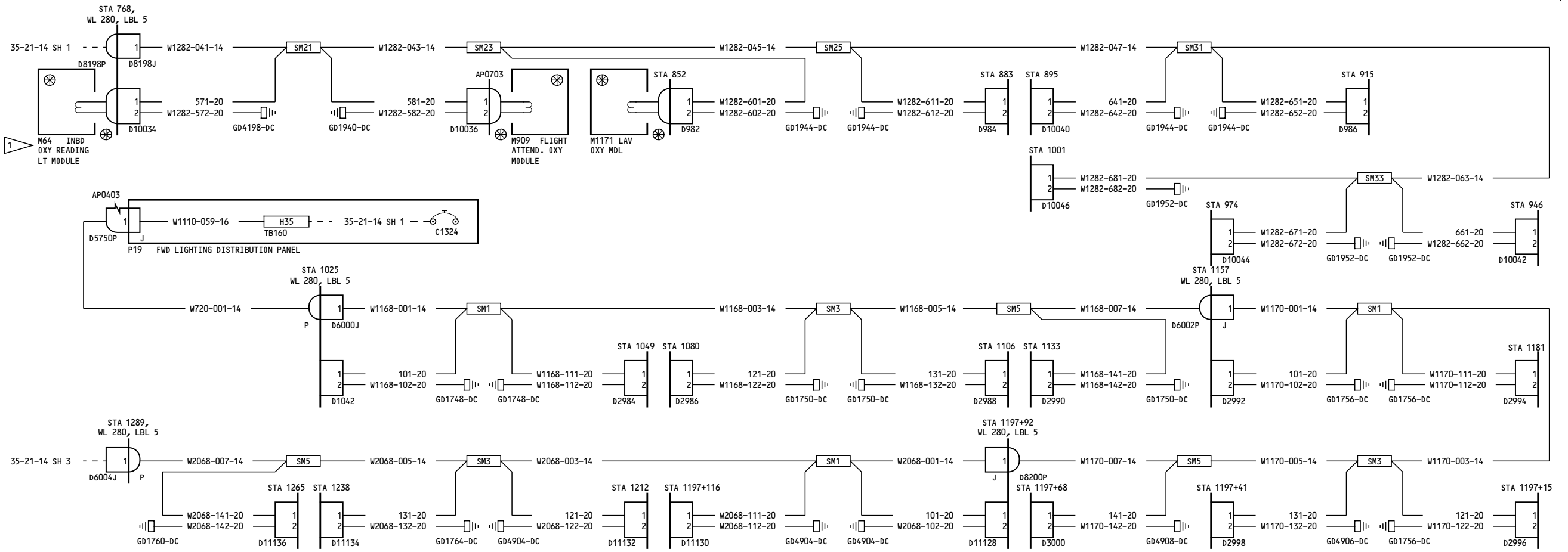
280-299	OXYGEN MASK DEPLOYMENT-CENTER
	D280T132

35-21-14

Page 6
 Sheet 1
 Jan 21/2005

35-21-14

Page 6
 Sheet 1
 Jan 21/2005



NOTES:
 1 TYPICAL PSU OXYGEN MODULE
 (SEE DEL FOR QUANTITY)

280-299

OXYGEN MASK DEPLOYMENT-CENTER

35-21-14

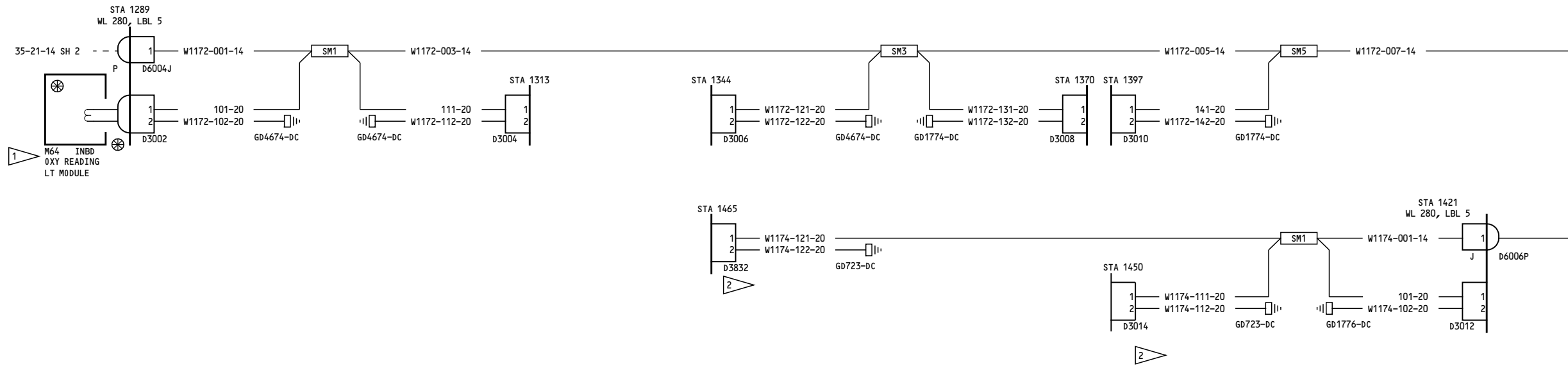
Page 6
Sheet 2
Jan 21/2005

D280T132

35-21-14

Page 6
Sheet 2
Jan 21/2005

70



NOTES:

1 TYPICAL PSU OXYGEN MODULE
(SEE DEL FOR QUANTITY)

2 CAP AND STOW CONNECTOR IN DELIVERY CONFIGURATION

280-299

OXYGEN MASK DEPLOYMENT-CENTER

35-21-14

Page 6
Sheet 3
Jan 21/2005

D280T132

35-21-14

Page 6
Sheet 3
Jan 21/2005