

**CHAPTER**

**75**

**AIR**



**767-200/300  
WIRING DIAGRAM MANUAL**

**CHAPTER 75  
AIR**

<b>CH-SC-SU</b>	<b>Schem</b>	<b>Page</b>	<b>Sheet</b>	<b>Date</b>	<b>CH-SC-SU</b>	<b>Schem</b>	<b>Page</b>	<b>Sheet</b>	<b>Date</b>
75-EFFECTIVE PAGES		1		Aug 05/2009					
		2		BLANK					
75-CONTENTS		1		Jun 28/2006					
		2		BLANK					
75-ALPHABETICAL INDEX		1		Jan 21/2005					
		2		BLANK					
75-23-11		1		Jan 21/2005					

A = Added, R = Revised, D = Deleted, O = Overflow

**75-EFFECTIVE PAGES**

Page 1  
Aug 05/2009

D280T132



**767-200/300  
WIRING DIAGRAM MANUAL**

**CHAPTER 75  
AIR**

<b>Title</b>	<b>CH-SC-SU</b>	<b>Schem</b>	<b>Page</b>	<b>Sheet</b>	<b>Date</b>	<b>Effectivity</b>
<b><u>ENGINE EXTERNAL ACCESSORIES COOLING</u></b>						
ENGINE EXTERNAL ACCESSORIES COOLING	75-23-11		1		Jan 21/2005	ALL

**75-CONTENTS**



**767-200/300  
WIRING DIAGRAM MANUAL**

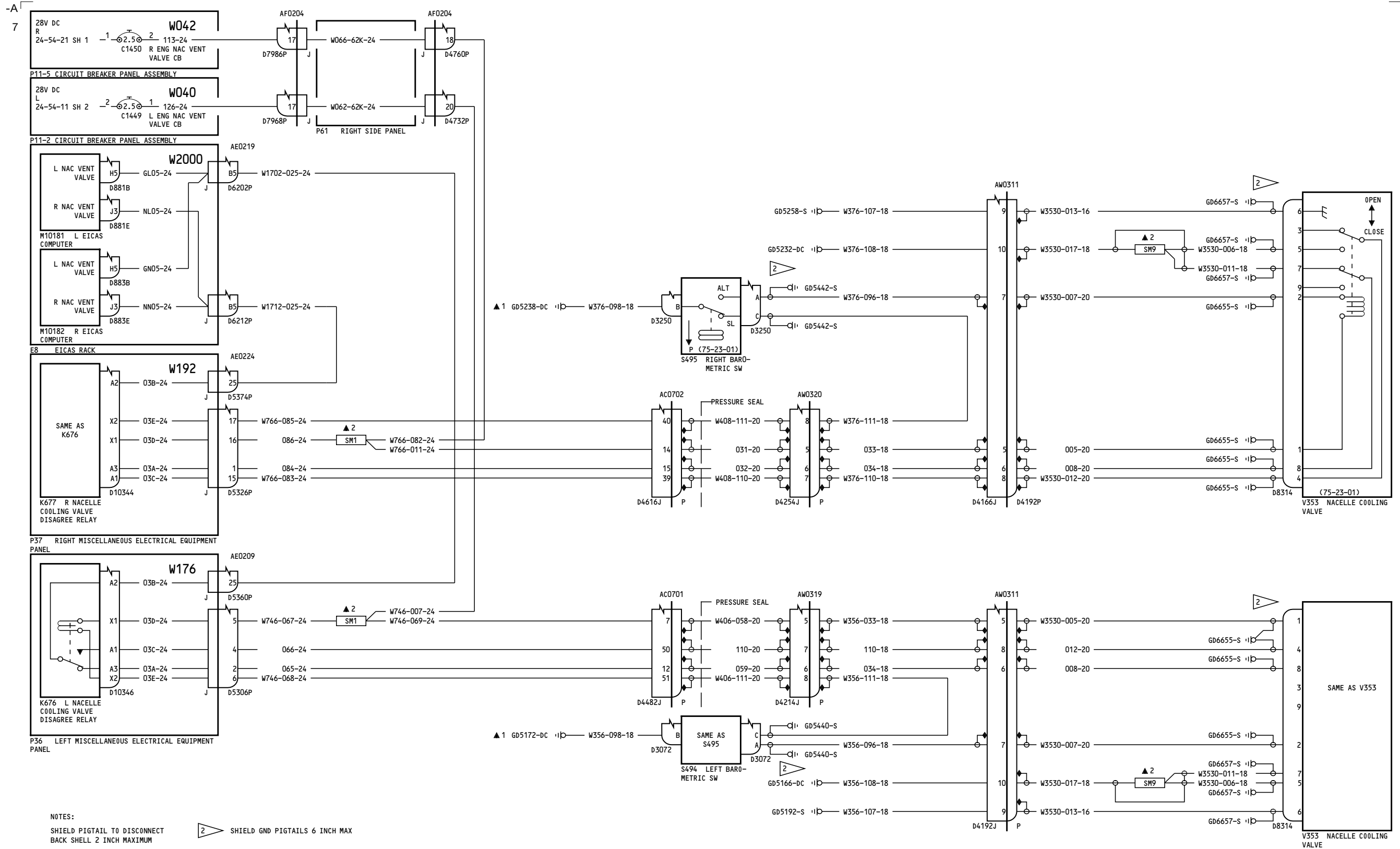
**CHAPTER 75  
AIR**

<b>CH-SC-SU</b>	<b>Title</b>
75-23-11	ENGINE EXTERNAL ACCESSORIES COOLING

**75-ALPHABETICAL INDEX**

D280T132

Page 1  
Jan 21/2005



NOTES:  
 SHIELD PIGTAIL TO DISCONNECT BACK SHELL 2 INCH MAXIMUM  
 SHIELD GND PIGTAILS 6 INCH MAX

ALL

**ENGINE EXTERNAL ACCESSORIES COOLING**

D280T132

**75-23-11**

Page 1

Jan 21/2005

**75-23-11**

Page 1

Jan 21/2005