

CHAPTER

79

OIL



767-200/300
WIRING DIAGRAM MANUAL

CHAPTER 79
OIL

CH-SC-SU	Schem	Page	Sheet	Date	CH-SC-SU	Schem	Page	Sheet	Date
79-EFFECTIVE PAGES									
		1		Aug 05/2009					
		2		BLANK					
79-CONTENTS									
		1		Jun 28/2006					
		2		BLANK					
79-ALPHABETICAL INDEX									
		1		Jan 21/2005					
		2		BLANK					
79-31-11		1		Jan 21/2005					
		2		Jan 21/2005					
79-32-11		1		Jan 21/2005					
		2		Jan 21/2005					
79-33-11		1		Jan 21/2005					
79-34-11		1		Jan 21/2005					
79-35-11		1		Jan 21/2005					

A = Added, R = Revised, D = Deleted, O = Overflow

79-EFFECTIVE PAGES

Page 1
Aug 05/2009

D280T132



767-200/300
WIRING DIAGRAM MANUAL

CHAPTER 79
OIL

Title	CH-SC-SU	Schem	Page	Sheet	Date	Effectivity
<u>OIL QUANTITY INDICATING SYSTEM</u>						
ENGINE OIL QUANTITY INDICATION	79-31-11		1		Jan 21/2005	050-099 150-154 275-276
			2		Jan 21/2005	155-199 277-299
<u>OIL PRESSURE INDICATING SYSTEM</u>						
ENGINE OIL PRESSURE INDICATION	79-32-11		1		Jan 21/2005	050-099 150-154 275-276
			2		Jan 21/2005	155-199 277-299
<u>LOW OIL PRESSURE WARNING SYSTEM</u>						
LOW OIL PRESSURE WARNING SYSTEM	79-33-11		1		Jan 21/2005	ALL
<u>OIL TEMPERATURE INDICATING SYSTEM</u>						
ENGINE OIL- TEMPERATURE INDICATION	79-34-11		1		Jan 21/2005	ALL
<u>OIL FILTER BYPASS WARNING SYSTEM</u>						
ENGINE OIL- FILTER BYPASS WARNING	79-35-11		1		Jan 21/2005	ALL

79-CONTENTS



767-200/300

WIRING DIAGRAM MANUAL

CHAPTER 79 OIL

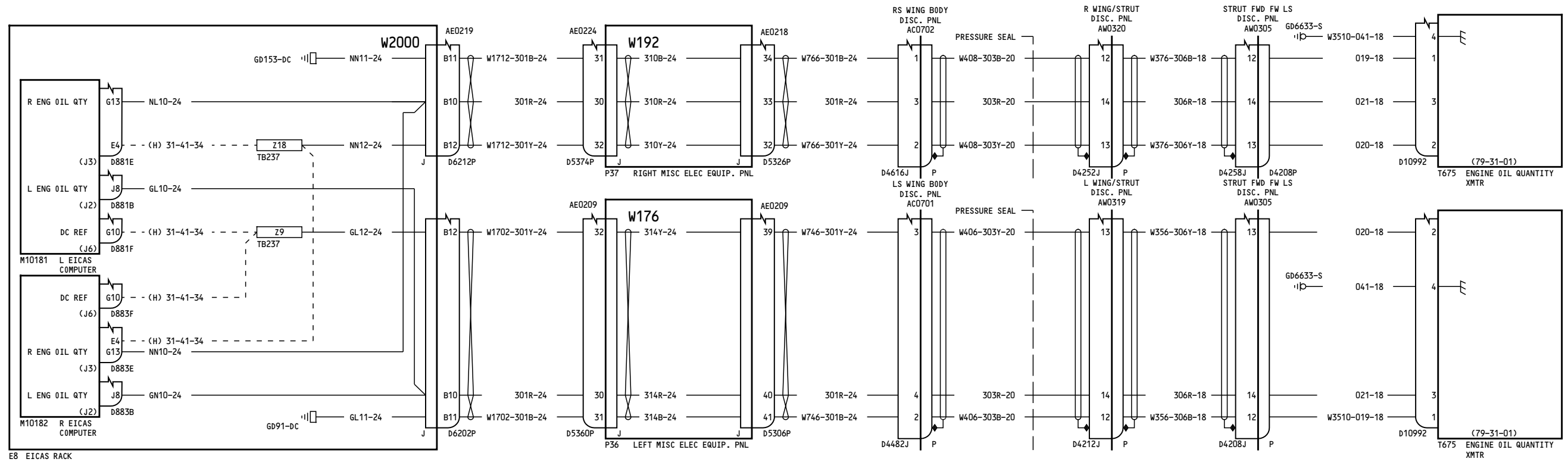
CH-SC-SU	Title
79-32-11	ENGINE OIL PRESSURE INDICATION
79-31-11	ENGINE OIL QUANTITY INDICATION
79-35-11	ENGINE OIL- FILTER BYPASS WARNING
79-34-11	ENGINE OIL- TEMPERATURE INDICATION
79-33-11	LOW OIL PRESSURE WARNING SYSTEM

79-ALPHABETICAL INDEX

D280T132

Page 1
Jan 21/2005

8



NOTES:
SHIELD PIGTAIL TO DISCONNECT BACKSHELL 2 INCH MAXIMUM.

050-099, 150-154, 275-276	ENGINE OIL QUANTITY INDICATION
	D280T132

79-31-11

Page 1

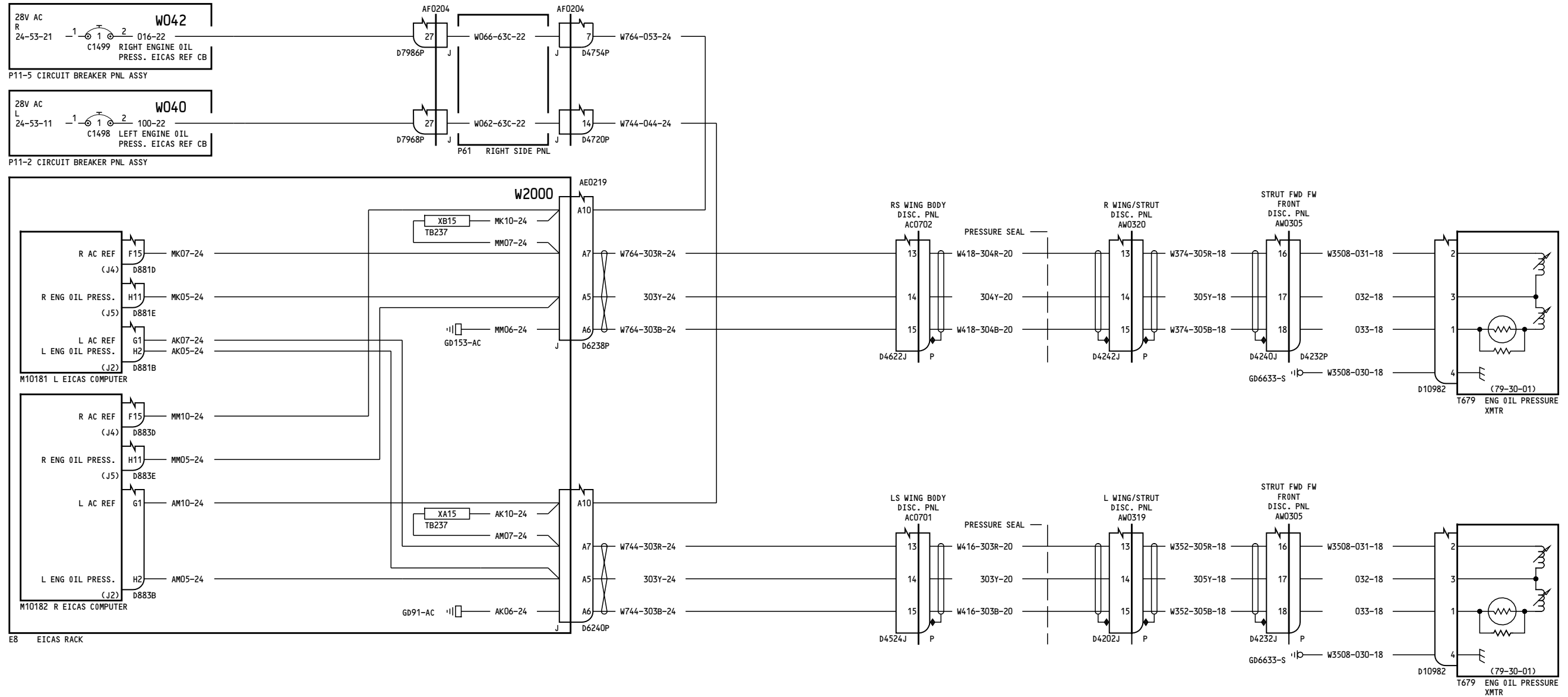
Jan 21/2005

79-31-11

Page 1

Jan 21/2005

11



NOTES:
SHIELD PIGTAIL TO DISCONNECT BACKSHELL 2 INCH MAXIMUM.

050-099, 150-154, 275-276

ENGINE OIL PRESSURE INDICATION

79-32-11

Page 1

D280T132

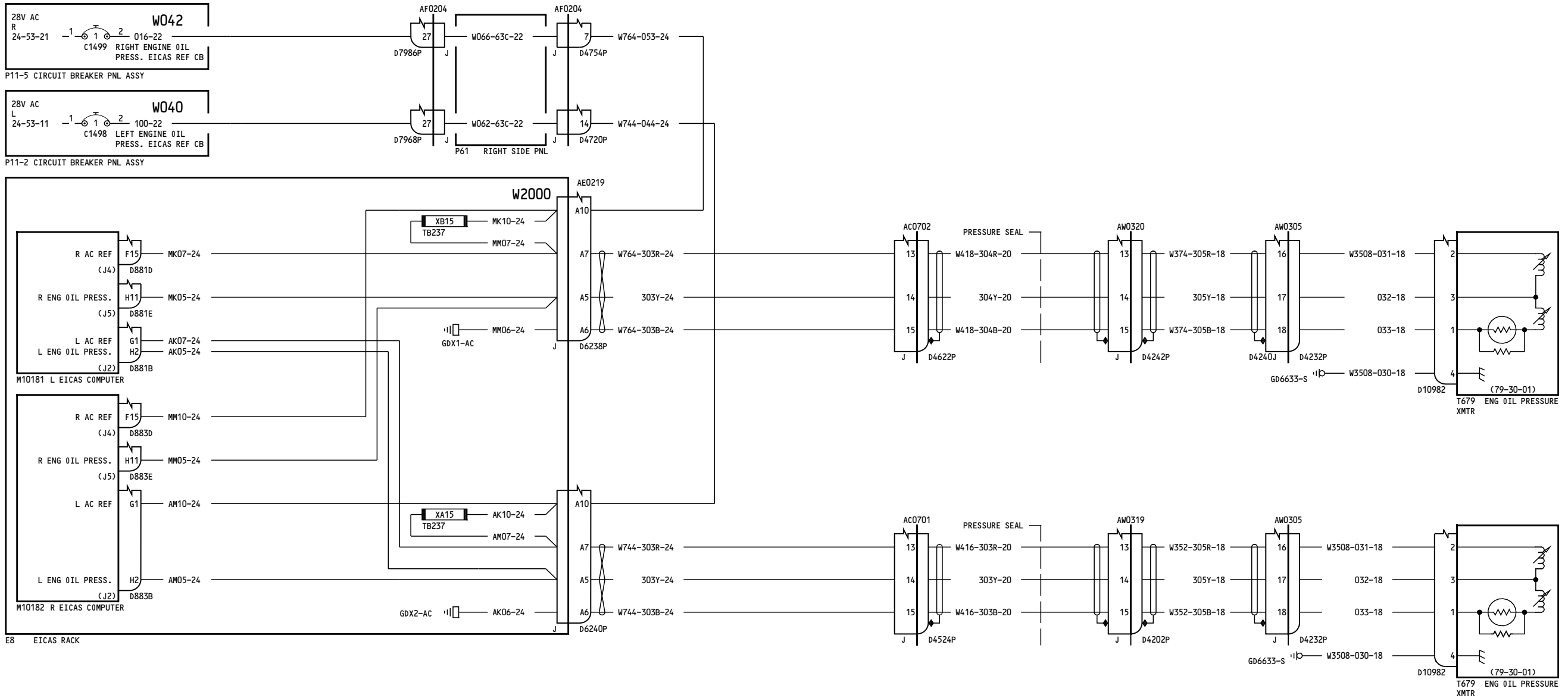
Jan 21/2005

79-32-11

Page 1

Jan 21/2005

20



NOTES:
SHIELD PIGTAIL TO DISCONNECT BACKSHELL 2 INCH MAXIMUM.

155-199, 277-299

ENGINE OIL PRESSURE INDICATION

79-32-11

Page 2

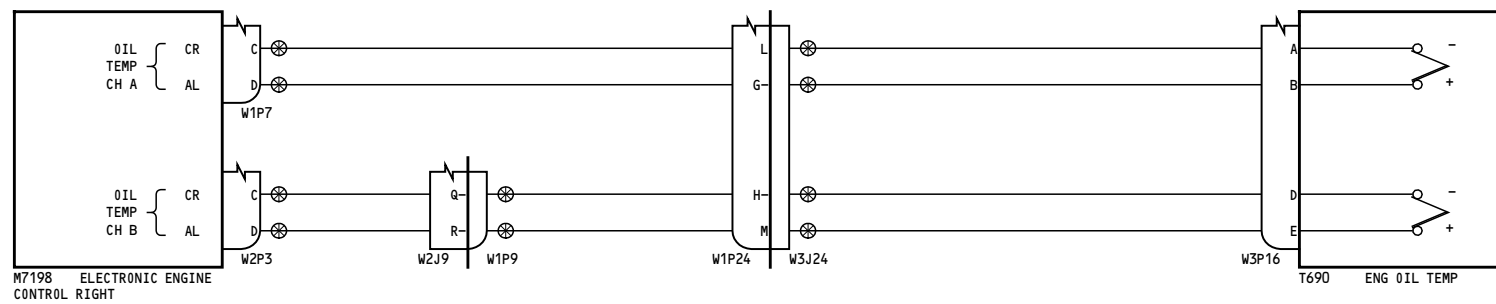
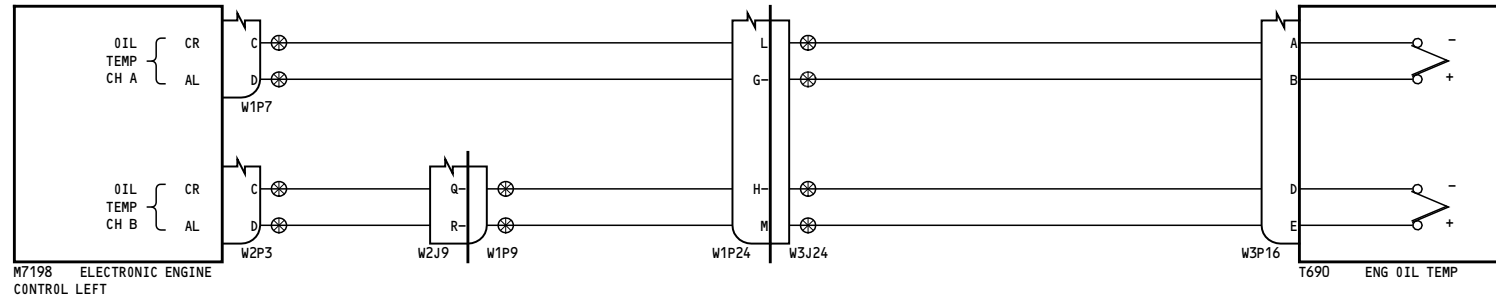
D280T132

Jan 21/2005

79-32-11

Page 2

Jan 21/2005



ALL

ENGINE OIL-TEMPERATURE INDICATION

79-34-11

Page 1

D280T132

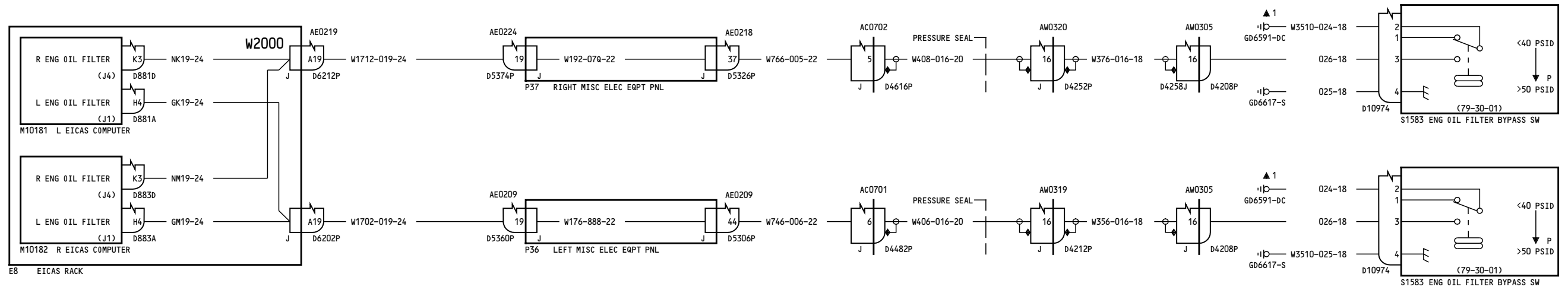
Jan 21/2005

79-34-11

Page 1

Jan 21/2005

-A
7



NOTES:
SHIELD PIGTAIL TO DISCONNECT BACKSHELL 2 INCH MAXIMUM.

ALL	<p align="center">ENGINE OIL-FILTER BYPASS WARNING</p> <p align="center">D280T132</p>
-----	--

79-35-11

Page 1

Jan 21/2005

79-35-11

Page 1

Jan 21/2005