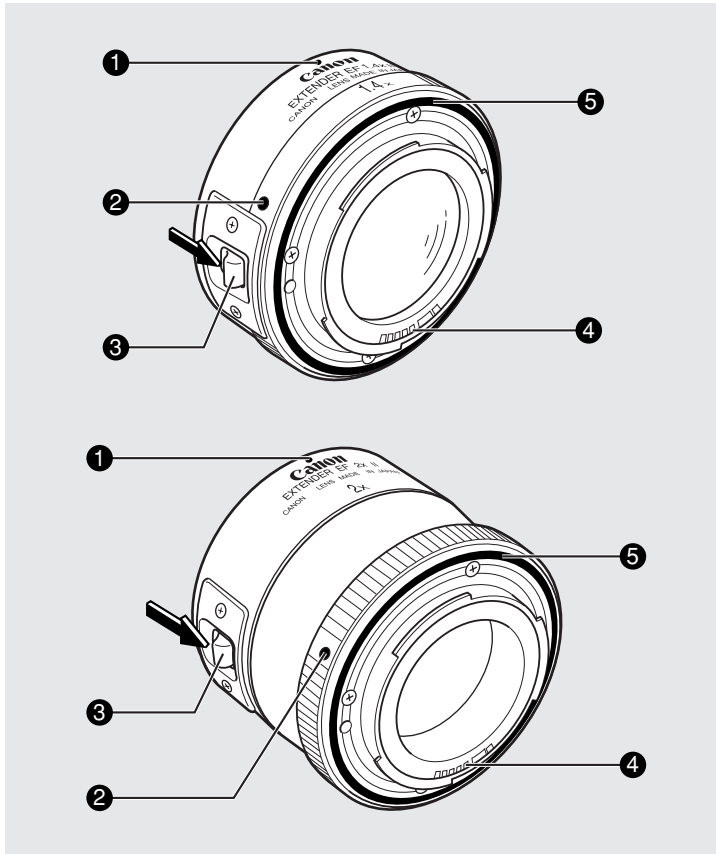


## ENG Extender EF1.4X II/ EF2X II



- ① Lens mount index (on lens)
- ② Lens mount index (on camera)
- ③ Lens release lever
- ④ Contacts
- ⑤ Rubber ring

### Usable lenses:

Lens	Focal Length & Maximum Aperture	
	EF1.4X II	EF2X II
EF135mm f/2L USM	189mm f/2.8	270mm f/4
EF180mm f/3.5L MACRO USM	252mm f/4.5	360mm f/6.7
EF200mm f/1.8L USM	280mm f/2.5	400mm f/3.5
EF200mm f/2.8L USM	280mm f/4	400mm f/5.6
EF200mm f/2.8L II USM	280mm f/4	400mm f/5.6
EF300mm f/2.8L USM	420mm f/4	600mm f/5.6
EF300mm f/2.8L IS USM	420mm f/4	600mm f/5.6
EF300mm f/4L USM	420mm f/5.6	600mm f/8
EF300mm f/4L IS USM	420mm f/5.6	600mm f/8
EF400mm f/2.8L USM	560mm f/4	800mm f/5.6
EF400mm f/2.8L II USM	560mm f/4	800mm f/5.6
EF400mm f/2.8L IS USM	560mm f/4	800mm f/5.6
EF400mm f/4 DO IS USM	560mm f/5.6	800mm f/8
EF400mm f/5.6L USM	560mm f/8	800mm f/11
EF500mm f/4L IS USM	700mm f/5.6	1000mm f/8
EF500mm f/4.5L USM	700mm f/6.7	1000mm f/9.5
EF600mm f/4L USM	840mm f/5.6	1200mm f/8
EF600mm f/4L IS USM	840mm f/5.6	1200mm f/8
EF1200mm f/5.6L USM	1680mm f/8	2400mm f/11
EF70-200mm f/2.8L USM	98-280mm f/4	140-400mm f/5.6
EF70-200mm f/2.8L IS USM	98-280mm f/4	140-400mm f/5.6
EF70-200mm f/4L USM	98-280mm f/5.6	140-400mm f/8
EF70-200mm f/4L IS USM	98-280mm f/5.6	140-400mm f/8
EF100-400mm f/4.5-5.6L IS USM	140-560mm f/6.7-8	200-800mm f/9.5-11

\* Refer to the camera and lens instruction booklets to see if there are any AF compatibility limitations.

\* The maximum aperture is indicated in half-stop increments.

Thank you for purchasing a Canon product.

The high-performance Canon Extender EF1.4X II and Extender EF2X II increase the focal length of the attached EF lens by 1.4X and 2X respectively.

### ⚠ Safety Precautions

- Do not look at the sun or a bright light source through the lens with the extender attached, or with a camera with the extender and lens attached. Doing so could result in visual impairment. In particular, never look at the sun directly through the lens with the extender attached, because that could result in loss of vision.
- Do not leave the lens with the extender attached, or a camera with the extender and lens attached in the sun without the lens cap on. That may result in concentrating the sun's rays, causing a fire.

### Mounting and dismounting the Extender

First attach the Extender to the lens, then attach it to the camera. To detach it, follow the same procedure in reverse.

To detach the Extender from the lens, slide the lens release lever as shown by the arrow, then turn the Extender counterclockwise.

### Maximum Aperture with the Extender

When Extender EF1.4X II is attached, the lens maximum aperture will be smaller (darker) by 1 stop. With Extender EF2X II, the maximum aperture will be smaller by 2 stops. In any case, the camera will compensate the exposure automatically.

### Caution

- Do not attach two or more Extenders on the same camera. Doing so will degrade the optical performance and the camera will not be able to obtain proper exposure readings.
- To enhance water and dust resistance, the Extender EF1.4X II and EF2X II have a rubber ring around the mount. As the lens is repeatedly mounted and detached, the rubber ring will leave fine abrasion marks on the outside of the camera mount. This will not affect operation.  
The rubber ring can be replaced by a Canon service center (a fee will be charged).
- Autofocusing slows down when the lens is used with an extender, in order to maintain the precision of autofocus control.
- If you have an EOS A2/A2E/5 and use an Extender with any of the lenses listed above, set -1/2-stop exposure compensation with the EF1.4X II or -1 stop with the EF2X II.

### Major Specifications

**Mount:** Canon EF mount (Electronically controlled)

**Lens construction:** EF1.4X II: 5 elements in 4 groups  
EF2X II: 7 elements in 5 groups

#### Dimensions

**(Max. dia. × length):** EF1.4X II: 72.8 dia. × 27.2 mm / 2.85 × 1.06 inch  
EF2X II: 71.8 dia. × 57.9 mm / 2.8 × 2.26 inch

**Weight:** EF1.4X II: 220 g / 7.8 oz, EF2X II: 265 g / 9.3 oz

**Case:** EF1.4X II/EF2X II: LP811

\* All specifications are based on Canon's tests and measurements.

\* Product specifications and appearance are subject to change without notice.