

Canon EFS LENS

EF-S18-55mm f/3.5-5.6 IS



IMAGE STABILIZER

ENG
Instruction

Thank you for purchasing a Canon product.

The Canon EF-S18-55mm f/3.5-5.6 IS lens is a high-performance standard zoom lens developed for digital SLRs compatible with EF-S lenses*.

It is equipped with an Image Stabilizer effective for hand-held shooting at slow shutter speeds.

* As of February 2010, only the EOS 7D, EOS 50D, EOS 40D, EOS 30D, EOS 20D, EOS 20Da, EOS REBEL T2i/550D, EOS REBEL T1i/500D, EOS REBEL XSi/450D, EOS REBEL XS/1000D, EOS DIGITAL REBEL XTi/400D DIGITAL, EOS DIGITAL REBEL XT/350D DIGITAL, and EOS DIGITAL REBEL/300D DIGITAL are compatible with EF-S lenses.

- “IS” stands for Image Stabilizer.

Conventions used in this instruction



Warning to prevent lens or camera malfunction or damage.



Supplementary notes on using the lens and taking pictures.

Features

1. The Image Stabilizer gives the equivalent effect of a shutter speed four stops faster*. This function provides optimal image stabilization depending on shooting conditions (such as shooting still subjects and following shots).
2. Aspheric lens element for excellent imaging performance.
3. Great close-ups at 0.25 m/0.8 ft at all focal lengths.
4. A truly round aperture hole results in a nicer background blur.

* Based on $[1/(\text{focal length} \times 1.6)]$ second. Generally, it requires a shutter speed $[1/\text{focal length}]$ second or faster to prevent camera shake (in 35mm format. With an EF-S lens, it would be $[1/(\text{focal length} \times 1.6)]$ second).

Safety Precautions

- **Do not look at the sun or a bright light source through the lens or camera.** Doing so could result in loss of vision. Looking at the sun directly through the lens is especially hazardous.
- **Whether it is attached to the camera or not, do not leave the lens under the sun without the lens cap attached.** This is to prevent the lens from concentrating the sun's rays, which could cause a fire.

Handling Cautions

- **If the lens is taken from a cold environment into a warm one, condensation may develop on the lens surface and internal parts.** To prevent condensation in this case, first put the lens into an airtight plastic bag before taking it from a cold to warm environment. Then take out the lens after it has warmed gradually. Do the same when taking the lens from a warm environment into a cold one.
- Do not leave the lens in excessive heat such as in a car in direct sunlight. **High temperatures can cause the lens to malfunction.**

This device complies with Part 15 of the FCC Rules. Operation is subject to the following two conditions: (1) This device may not cause harmful interference, and (2) this device must accept any interference received, including interference that may cause undesired operation.

Do not make any changes or modifications to the equipment unless otherwise specified in the instructions. If such changes or modifications should be made, you could be required to stop operation of the equipment.

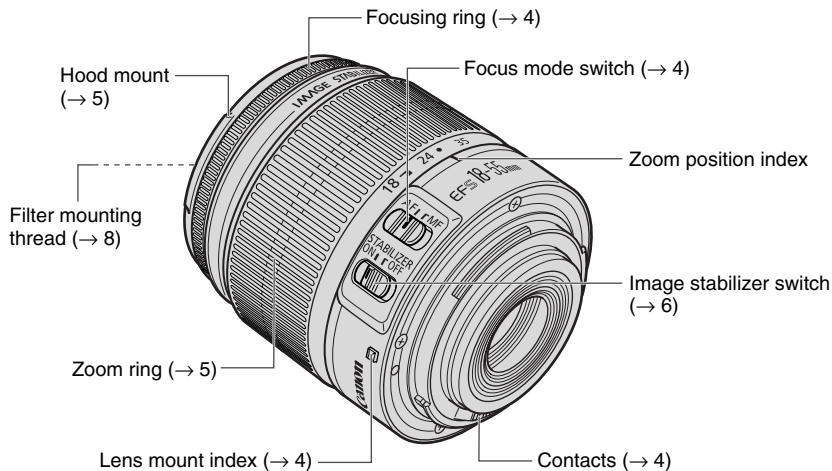
This equipment has been tested and found to comply with the limits for a class B digital device, pursuant to part 15 of the FCC Rules. These limits are designed to provide reasonable protection against harmful interference in a residential installation. This equipment generates, uses and can radiate radio frequency energy and, if not installed and used in accordance with the instructions, may cause harmful interference to radio communications.

However, there is no guarantee that interference will not occur in a particular installation. If this equipment does cause harmful interference to radio or television reception, which can be determined by turning the equipment off and on, the user is encouraged to try to correct the interference by one or more of the following measures:

- Reorient or relocate the receiving antenna.
- Increase the separation between the equipment and receiver.
- Consult the dealer or an experienced radio/TV technician for help.

This Class B digital apparatus complies with Canadian ICES-003.

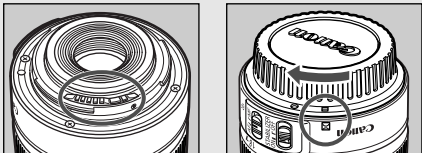
Nomenclature



For detailed information, reference page numbers are provided in parentheses (→ **).

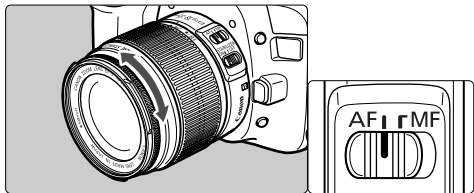
1 Mounting and Detaching the Lens

See your camera's instructions for details on mounting and detaching the lens.



- After detaching the lens, place the lens with the rear end up to prevent the lens surface and electrical contacts from getting scratched.
- If the contacts get soiled, scratched, or have fingerprints on them, corrosion or faulty connections can result. The camera and lens may not operate properly.
- If the contacts get soiled or have fingerprints on them, clean them with a soft cloth.
- If you remove the lens, cover it with the dust cap. To attach it properly, align the lens mount index and the □ index of the dust cap as shown in the diagram, and turn clockwise. To remove it, reverse the order.

2 Setting the Focus Mode



To shoot in autofocus mode, set the focus mode switch to AF.

To use only manual focusing, set the focus mode switch to MF, and focus by turning the focusing ring.

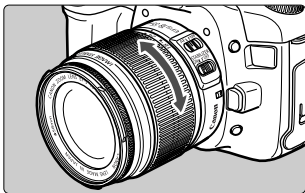


- Do not touch the rotating parts of the lens while autofocus is active.
- Do not adjust focus manually when the focus mode switch is set to AF.



If a hood (sold separately) is installed, you can turn the hood to adjust the focus.

3 Zooming

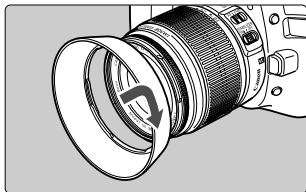


To zoom, turn the lens' zoom ring.

- ⚠ Be sure to finish zooming before focusing. Changing the zoom ring after focusing can affect the focus.

4 Hood (Sold Separately)

The EW-60C hood can keep unwanted light out of the lens, and also protects the lens from rain, snow, and dust.



Turn the hood in the direction of the arrow to attach it securely.

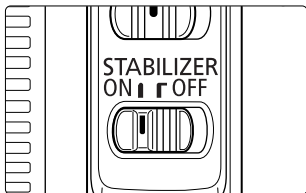
The hood can be reverse-mounted on the lens for storage.

- ⚠
 - When attaching or detaching the hood, grasp the base of the hood to turn it. To prevent deformation, do not grasp the rim of the hood to turn it.
 - Part of the picture may be blocked if the hood is not attached properly.
 - Remove the hood when using the camera's built-in flash, otherwise it may obstruct the flash and result in a dark area at the circumference.

5 Image Stabilizer

You can use the image stabilizer in AF or MF mode.

This function provides optimal image stabilization depending on shooting conditions (such as shooting still subjects and following shots).



1 Set the **STABILIZER** switch to **ON**.

- If you are not going to use the image stabilizer function, set the switch to **OFF**.

2 When you press the shutter button halfway, the Image Stabilizer will start operating.

- Make sure the image in the viewfinder is stable, then press the shutter button the rest of the way down to take the picture.



- The Image Stabilizer cannot compensate for a blurred shot caused by a subject that moved.
- The Image Stabilizer may not be fully effective if you shoot from a violently shaking vehicle or other transportation.
- The Image Stabilizer consumes more power than normal shooting, so fewer shots can be taken if you use the function.



- When shooting a still subject, it compensates for camera shake in all directions.
- It compensates for vertical camera shake during following shots in a horizontal direction, and compensates for horizontal camera shake during following shots in a vertical direction.
- When you use a tripod, the Image Stabilizer should be turned off to save battery power.
- The stabilizer is equally effective for hand-held photography and photography with a monopod.
- The image stabilizer function also operates when the lens is used with an Extension Tube EF12 II or EF25 II.
- If you set the camera's Custom Function to change the assigned button to operate the AF, the Image Stabilizer will operate when you press the newly assigned AF button.

Image Stabilizer

The image stabilizer in this lens is effective for hand-held shots under the following conditions.

- In semi-darkened areas such as indoors or outdoors at night.
- In locations where flash photography is prohibited, such as art museums and theater stages.
- In situations where your footing is uncertain.
- In situations where fast shutter settings cannot be used.
- When panning subjects in motion.



6 Filters (Sold Separately)

You can attach filters to the filter mounting thread on the front of the lens.



- The front end of the lens rotates, so hold it when attaching the filter.
- Only one filter may be attached.
- Use a genuine Canon filter (58mm).
- To adjust the polarizing filter, first remove the lens hood.

7 Extension Tubes (Sold Separately)

You can attach Extension Tube EF12 II or EF25 II for magnified shots. The shooting distance and magnification are shown below.

| | | Camera-to-Subject Distance (mm) | | Magnification | |
|---------|------|---------------------------------|-----|---------------|-------|
| | | Near | Far | Near | Far |
| EF12 II | 18mm | Incompatible | | Incompatible | |
| | 55mm | 205 | 378 | 0.64× | 0.23× |
| EF25 II | 18mm | Incompatible | | Incompatible | |
| | 55mm | 196 | 266 | 1.00× | 0.51× |



Manual focusing is recommended for accurate focusing.

8 Close-up Lenses (Sold separately)

Attaching a 250D or 500D (58mm) Close-up Lens enables close-up photography.

Compatibility with Close-up Lenses is as follows.

- Close-up Lens 250D:
Can be used at the 55mm end (magnification 0.22x - 0.49x)
- Close-up Lens 500D:
Can be used (magnification 0.04x - 0.42x)



Manual focusing is recommended for accurate focusing.

9 Specifications

| | |
|---------------------------------|---|
| Image Size | 15.1 × 22.7 mm |
| Focal Length/Aperture | 18 – 55 mm f/3.5 – 5.6 |
| Lens Construction | 9 groups, 11 elements |
| Minimum Aperture | f/22 – 38* |
| Angle of View | Diagonal: 74° 20' – 27° 50' Vertical: 45° 30' – 15° 40' Horizontal: 64° 30' – 23° 20' |
| Min. Focusing Distance | 0.25 m/0.8 ft. |
| Max. Magnification | 0.34 × (at 55 mm) |
| Field of View | approx. 134 × 207 – 45 × 67 mm/5.3 × 8.1 – 1.8 × 2.6 inch (at 0.25 m) |
| Filter Diameter | 58 mm |
| Max. Diameter and Length | 68.5 × 70 mm/2.7 × 2.8 inch |
| Weight | 200 g/7.1 oz |
| Hood | EW-60C (Sold separately) |
| Lens Cap | E-58 |
| Case | LP814 (Sold separately) |

* Values shown are for models with aperture settings shown in 1/2-stop increments. For models with 1/3-stop aperture increments, the values are f/22 to f/36.

- Equivalent to 29-88 mm in the 35 mm film format.
- The lens length is measured from the mount surface to the front end of the lens. Add 21.5 mm when including the lens cap and dust cap.
- The size and weight listed are for the lens only, except as indicated.
- Aperture settings are specified on the camera. The camera automatically compensates for variations in the aperture setting when the camera is zoomed in or out.
- The EF1.4X II/EF2X II extenders cannot be used with this lens.
- All data listed is measured according to Canon standards.
- Product specifications and appearance are subject to change without notice.

Canon