

# **A148-20S**

**2 METER YAGI ANTENNA ARRAY  
144-148 MHz**



951439 (10/93)

TA5FA

**WARNING**

THIS ANTENNA IS AN ELECTRICAL CONDUCTOR. CONTACT WITH POWER LINES CAN RESULT IN DEATH, OR SERIOUS INJURY. DO NOT INSTALL THIS ANTENNA WHERE THERE IS ANY POSSIBILITY OF CONTACT WITH OR HIGH VOLTAGE ARC-OVER FROM POWER CABLES OR SERVICE DROPS TO BUILDINGS. THE ANTENNA, SUPPORTING MAST AND/OR TOWER MUST NOT BE CLOSE TO ANY POWER LINES DURING INSTALLATION, REMOVAL OR IN THE EVENT PART OF THE SYSTEM SHOULD ACCIDENTALLY FALL. FOLLOW THE GUIDELINES FOR ANTENNA INSTALLATIONS RECOMMENDED BY THE U.S. CONSUMER PRODUCT SAFETY COMMISSION AND LISTED IN THE ENCLOSED PAMPHLET.

Your Cushcraft A148-20S Yagi array has two A148-10S antennas and a A147-VPKS stacking kit. The A147-VPKS consists of a phasing harness (A147-SK) and a horizontal support with its associated hardware. The A148-20S is designed and manufactured to give top performance and trouble free service. The antenna will perform as specified if the instructions and suggestions are followed and care is used in assembly and installation. When checking the components received in your antenna package use the parts lists in each section. It is easiest to identify the various dimensions of tubing by separating them into groups of the same diameter and length. If you are unable to locate any tube or component, check the inside of all tubing. **IMPORTANT:** save the weight label from the outside of the carton. Each antenna is weighed at the factory to verify the parts count. If you claim a missing part, you will be asked for the weight verification label. There is a master parts list on page 2.

**LOCATION**

Location of the antenna is very important. Surrounding objects such as trees, power lines, other antennas, etc. will seriously reduce efficiency. To minimize the effects of surrounding objects, mount the antenna as high and in the clear as possible. If metal guy wires are used, they should be broken with strain insulators. **YOU MUST INSURE THAT NEITHER PEOPLE NOR PETS CAN COME IN CONTACT WITH YOUR ANTENNA WHILE IT IS IN OPERATION. DEADLY VOLTAGES AND CURRENTS MAY EXIST. ALSO, SINCE THE EFFECTS OF EXPOSURE TO RF ARE NOT FULLY UNDERSTOOD, LONG TERM EXPOSURE TO INTENSE RF FIELDS IS NOT RECOMMENDED. THERE IS A WARNING STICKER WHICH MUST BE ATTACHED TO THE BOOM AS SHOWN IN FIGURE F.**

Plan your installation carefully. If you use volunteer helpers, be sure that they are qualified to assist you. Make certain that everyone involved understands that you are in charge and that they must follow your instructions. If you have any doubts at all, employ a professional antenna installation company to install your antenna.

**MOUNTING**

The mast mount bracket will accommodate up to a 2" (5.1 cm) O.D. mast. A good heavy-duty antenna rotator will provide the best service and longest life. Often it is desirable to mount several antennas on one mast. To keep possible interaction to minimum, place your antennas as far apart as you can. *The Reddi-Match rods should both be pointed up.* Best results can be obtained by mounting the antenna as high as possible and at the top of your mast.

**SYSTEM GROUNDING**

Direct grounding of the antenna, mast, and tower is very important. This serves as protection from lightning strikes, static buildup, and from high voltage which is present in the radio equipment connected to the antenna. A good electrical connection should be made to one or more ground rods (or other extensive ground system) directly at the base of the tower or mast, using at least #10 AWG ground wire and non-corrosive hardware. For details and safety standards, consult the National Electrical Code. You should also use a coaxial lightning arrester. Cushcraft offers several different models, such as LAC-1, LAC-2 and the LAC-4 series.

**ASSEMBLY**

Assemble your antenna by following the directions and illustrations in steps 1 through 7. You will begin by assembling both of the A148-10S antennas at the same time and stacking the completed units later in the procedure. After the antenna is completely assembled, verify dimensions and element spacings for accuracy. Then, return to the section below for final tuning.

**TUNING PROCEDURE**

The A148-20S does not normally require tuning after assembly. However, if you wish to check the VSWR before installation, please observe the following procedures. To prevent detuning the antenna, it should be tuned in place or at least 7 feet (2.1 m) above ground and clear of surrounding objects. Keep all metal obstructions such as guy wires and other antennas at least 7 feet (2.1 m) away since they will nullify any adjustment and degraded performance will result. Test each antenna separately.

Run the coax cable from your transmitter to the area in which the antenna is going to be tested. The length of this cable or your feedline is not critical. Connect a good quality VSWR bridge to the end of this cable. Connect a short length of cable [10 ft (305 cm) or less] from the VSWR bridge to the antenna. Set the transmitter to your center operating frequency. When you read VSWR, be sure you move far enough away from the antenna so that your body does not effect the reading.

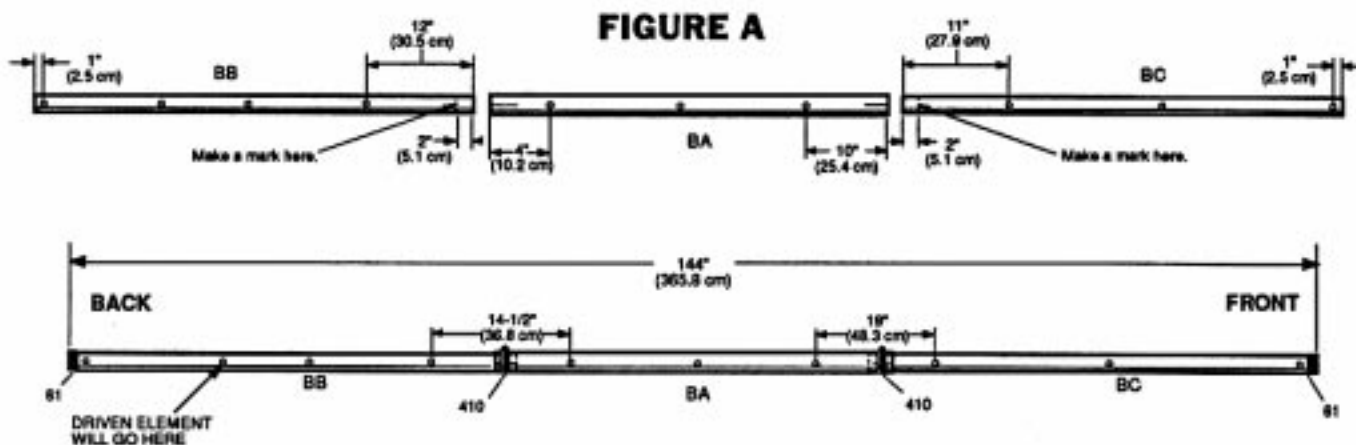
Measure the VSWR. If it is high, move both Reddi-Match clamps by 1/4" (.6 cm) in one direction and check the VSWR. If the VSWR improves, then continue moving the Reddi-Match clamps in the same direction. If the VSWR deteriorates, then move both Reddi-Match clamps in the opposite direction. Repeat this procedure until no further improvement can be made. You have matched your antenna to 50 Ohms. Tighten all connections making sure to keep the Reddi-Match assembly parallel to the element above. Tape the feedline to the boom and mast (figure H).

# MASTER PARTS LIST

KEY	PART #	DESCRIPTION	QUANTITY	KEY	PART #	DESCRIPTION	QUANTITY
11	010011	8-32 stainless steel hex nut	24	410	030410	1" (2.5 cm) stainless steel worm clamp	4
23	190023	Connector bracket	2	921	200921	Tuning strap	4
26	190026	7/8" x 1-1/2" (2.2 x 3.8 cm) mounting bracket	20	941	360941	#8 aluminum flat washer	4
28	190028	Aluminum half washer	18				
41	011941	#8 stainless steel lock washer	26	BA		1" x 48" (2.5 x 122 cm) aluminum tubing slotted both ends	2
45	321045	Aluminum spacer	8	BB		7/8" x 50" (2.2 x 127 cm) aluminum tubing, 4 holes drilled	2
46	050046	1-1/2" (3.8 cm) black plastic cap	2	BC		7/8" x 50" (2.2 x 127 cm) aluminum tubing, 3 holes drilled	2
53	050053	1/2" (1.3 cm) black plastic cap	4	EA		40-5/16" (102.4 cm) element rod	2
61	050061	7/8" (2.2 cm) black plastic cap	4	EB		38" (96.5 cm) element tube, drilled in center	2
70	190070	4" x 6" (10.2 x 15.2 cm) formed mast plate	3	EC		37-1/8" (94.3 cm) element rod	2
79	010079	8-32 x 1/2" (1.3 cm) stainless steel machine screw	2	ED		36-1/8" (91.8 cm) element rod	2
84	010084	1/4" (.63 cm) stainless steel split lock washer	8	EE		35-1/4" (89.6 cm) element rod	2
85	010085	1/4" (.63 cm) stainless steel hex nut	8	EF		35-3/16" (89.4 cm) element rod	2
104	010104	1/4" (.63 cm) stainless steel flat washer	8	EG		34-3/4" (88.3 cm) element rod	2
115	050115	Connector boot	3	EH		33-3/4" (85.7 cm) element rod	2
116	240116	Silicone package	3	EI		33-7/8" (86 cm) element rod	2
118	010118	5/16" (.8 cm) stainless steel hex nut	16	EJ		33-3/8" (84.8 cm) element rod	2
119	010119	5/16" (.8 cm) stainless lock washer	16				
120	010120	8-32 x 2" (5.1 cm) stainless steel machine screw	2	PT		3/16" x 4-1/2" (.5 x 11.4 cm) Poly tube	2
231	010231	8-32 x 1-3/4" (4.4 cm) stainless steel machine screw	18	RR		3/16" x 4" (.5 x 10.2 cm) Reddi-Match rod	2
251	050251	3/8" (.9 cm) white plastic cap	2	RT		3/8" x 6-1/2" (.9 x 16.5 cm) aluminum tube	2
326	290326	Danger label	2	SA		1-5/8" x 6" (4.1 x 15.2 cm) aluminum tube slotted both ends	1
401	010401	3" x 1-3/4" (7.6 x 4.4 cm) stainless steel U-bolt	4	SB		1-1/2" x 41" (3.8 x 104.1 cm) aluminum tube	2
403	010403	3" x 1-7/8" (7.6 x 4.8 cm) stainless steel U-bolt	6	A147-SK		Phasing harness	1
404	010404	3-1/4 x 2-7/16 (8.3 x 6.2 cm) stainless steel U-bolt	2				

## #1 - BOOM ASSEMBLIES

Assemble a boom as shown below. Make a mark 2" (5.1 cm) in from the ends of the BB and BC tubes as shown. Note that the BB tube has four holes for elements and will become the back of the antenna. The BC tube has three holes and will be the front. Be sure to mark the correct end of each tube by referring to the dimensions of the hole locations. Slide worm clamps (410) onto the slotted ends of tube BA. Insert the BB and BC tubes up to the marks you made. Align the element holes and tighten the worm clamps. Push the end caps (61) onto the ends of the boom. Assemble second boom in the same manner.



KEY	PN	DISPLAY	DESC	SIZE	QTY	KEY	PN	DISPLAY	DESC	SIZE	QTY
BA			ALUM TUBE	1" x 48" (2.5 x 122 cm)	2	61	050061		PLASTIC CAP	7/8" (2.2 cm)	4
BB			ALUM TUBE	7/8" x 50" (2.2 x 127 cm)	2	410	030410		WORM CLAMP	1" (2.5 cm)	4
BC			ALUM TUBE	7/8" x 50" (2.2 x 127 cm)	2						

## #2 - ASSEMBLE ELEMENTS

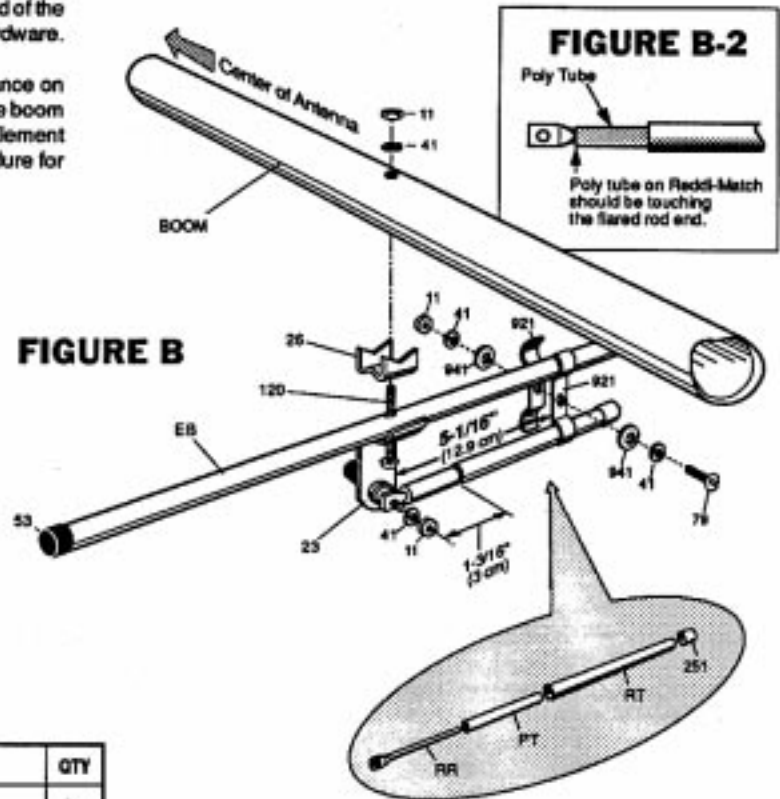
Assemble the driven element tube (EB) and connector bracket (23) to the boom at the position shown in figure D using the hardware shown in figure B. Note that the connector points toward the center of the boom. Assemble the Reddi-Match components RR, PT, RT and 251. Set them aside for the moment. Loosely attach the tuning straps (921) to the driven element (EB) as shown. Slide the Reddi-Match assembly through the tuning straps and secure the rod (RR) to the connector. Use washer (41) and nut (11). Next, slide the poly tube (PT) to the flattened end of the rod. Set the dimensions shown in figure B and tighten the hardware.

Sort the elements by size using Table A. The cutting tolerance on these elements is  $\pm 1/16"$  (.16 cm). Attach each element to the boom per figure C referring to figure D for proper location. NOTE: Element 9 (EI) is slightly longer than element 8 (EH). Repeat procedure for second boom.

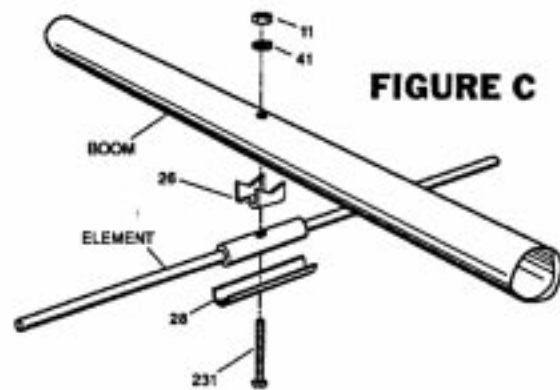
**TABLE A  
(ELEMENTS)**

KEY	ELEMENT NO.	LENGTH	
		INCHES	CM
EA	1	40-5/16	102.4
EB	2	38	96.5
EC	3	37-1/8	94.3
ED	4	36-1/8	91.8
EE	5	35-1/4	89.5
EF	6	35-3/16	89.3
EG	7	34-3/4	88.3
EH	8	33-3/4	85.7
EI	9	33-7/8	86.0
EJ	10	33-3/8	84.8

**FIGURE B**



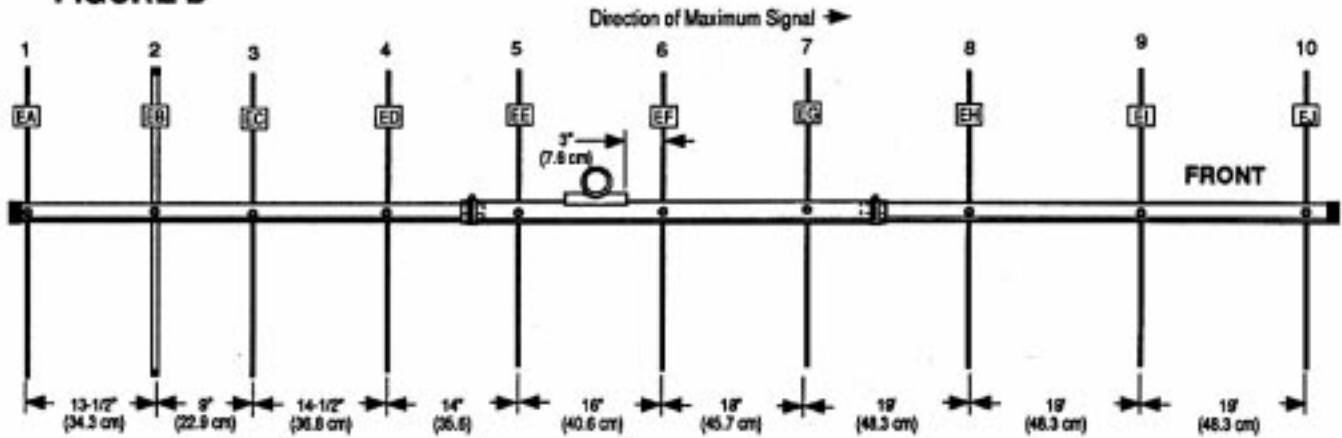
**FIGURE C**



KEY	PN	DISPLAY	DESC	SIZE	QTY
11	010011		SS HEX NUT	8-32	24
23	190023		CONNECTOR BRACKET		2
26	190026		ALUMINUM BRACKET	7/8" (2.2 cm)	20
28	190028		ALUMINUM HALF WASHER		16
41	011941		SS LOCK WASHER	#8	26
53	050053		PLASTIC CAP	1/2" (1.3 cm)	4
79	010079		SS MACHINE SCREW	8-32 x 1/2" (1.3 cm)	2
120	010120		SS MACHINE SCREW	8-32 x 2" (5.1 cm)	2
231	010231		SS MACHINE SCREW	8-32 x 1-3/4" (4.4 cm)	16
251	050251		PLASTIC CAP	3/8" (.9 cm)	2
921	200921		TUNING STRAP		4
941	360941		FLAT WASHER	#8	4

KEY	PN	DISPLAY	DESC	SIZE	QTY
EB			ALUMINUM TUBE	1/2" x 38" (1.3 x 96.5 cm)	2
PT			POLY TUBE	3/16" x 4-1/2" (.5 x 11.4 cm)	2
RR			REDDI-MATCH ROD	3/16" x 4" (.5 x 10.2 cm)	2
RT			ALUMINUM TUBE	3/8" x 6-1/2" (.9 x 16.5 cm)	2

FIGURE D



### #3 - STACKING BOOM ASSEMBLY

Assemble the stacking boom as shown below. Slide SB tubes into the SA a tube so that they meet in the middle. Secure the three pieces of tubing by attaching the mounting plate (70) with the U-bolts (403) and appropriate hardware. Tighten Nuts (118) being careful not to overtighten and damage boom pieces.

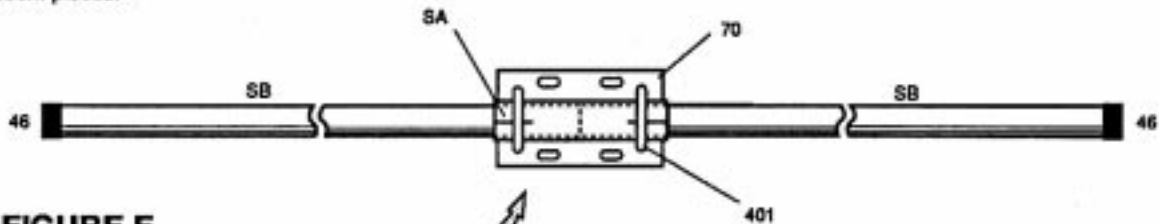
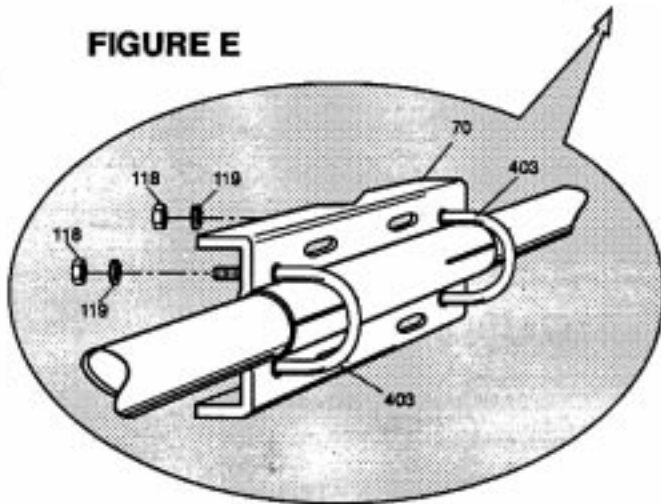












FIGURE E

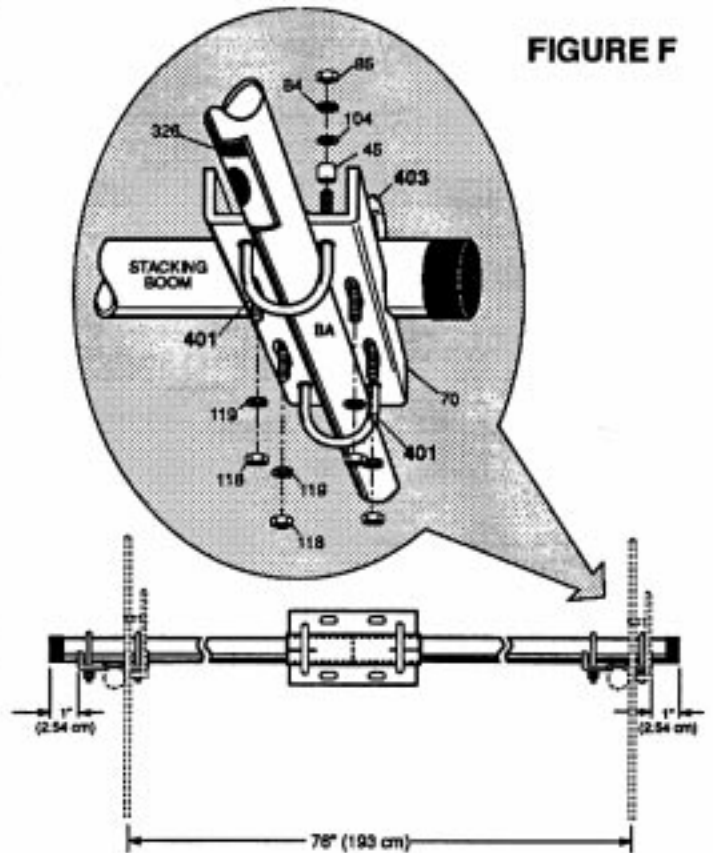


KEY	PN	DISPLAY	DESC	SIZE	QTY
46	050046		PLASTIC CAP	1-1/2" (3.8 cm)	2
70	190070		MOUNTING PLATE	4" x 6" (10.1 x 15.2 cm)	1
118	010118		SS HEX NUT	5/16" (.8 cm)	4
119	010119		SS LOCK WASHER	5/16" (.8 cm)	4
403	010403		SS U-BOLT	3" x 1-7/8" (7.6 x 4.8 cm)	2
SA			ALUMINUM TUBE	1-5/8" x 6" (4.1 x 15.2 cm)	1
SB			ALUMINUM TUBE	1-1/2" x 41" (3.8 x 104.1 cm)	2

## #4 - ANTENNAS TO STACKING BOOM ASSEMBLY




Mount the antennas to the stacking boom at the position shown in figure F using the mounting plates (70), U-bolts (401), flat washers (104), lock washers (B4) and hex nuts (85). Refer to figure D for proper positioning on the antenna boom. Position the edge of the mounting plates 1" (2.5 cm) from each end of the stacking boom. Make sure the Reddi-Matches are facing in the same direction for proper phasing. That is to say, if you were to look at the A147-22 from the back, both Reddi-Matches would be on the right side of their respective antennas and pointed up. Tighten the U-bolts taking care not to crush the booms. Attach the danger label (326) as shown.

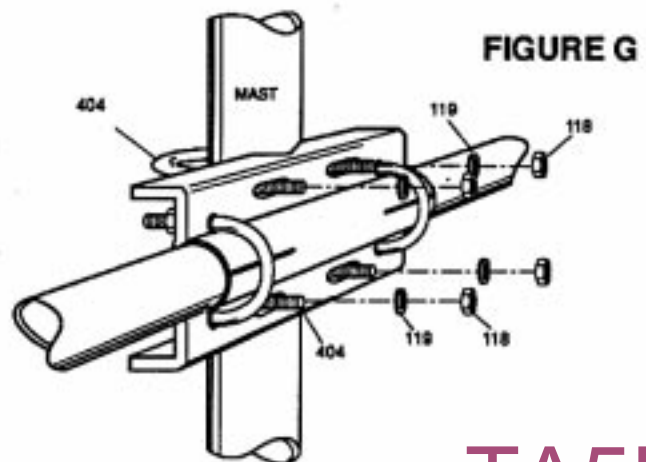
KEY	P/N	DISPLAY	DESC	SIZE	QTY
45	321045		ALUM SPACER	1/2" x 1/2" (1.3 x 1.3 cm)	8
70	190070		MOUNTING PLATE	4" x 8" (10.1 x 15.2 cm)	2
84	010084		SS LOCK WASHER	1/4" (.63 cm)	8
85	010085		SS HEX NUT	1/4" (.63 cm)	8
104	010104		SS FLAT WASHER	1/4" (.63 cm)	8
118	010118		SS HEX NUT	5/16" (.8 cm)	8
119	010119		SS LOCK WASHER	5/16" (.8 cm)	8
326	290326		DANGER LABEL		2
401	010401		SS U-BOLT	3" x 1-3/4" (7.6 x 4.4 cm)	4
403	010403		SS U-BOLT	3" x 1-7/8" (7.6 x 4.8 cm)	4



## #5 - MAST MOUNT

Mount the stacking boom to your vertical mast (figure G) using U-bolts (404), lock washers (119), and hex nuts (118).

KEY	P/N	DISPLAY	DESC	SIZE	QTY
118	010118		SS HEX NUT	5/16" (.8 cm)	4
119	010119		SS LOCK WASHER	5/16" (.8 cm)	4
404	010404		SS U-BOLT	3-1/4" x 2-7/16" (8.2 x 6.2 cm)	2



## #6 - PHASING HARNESS

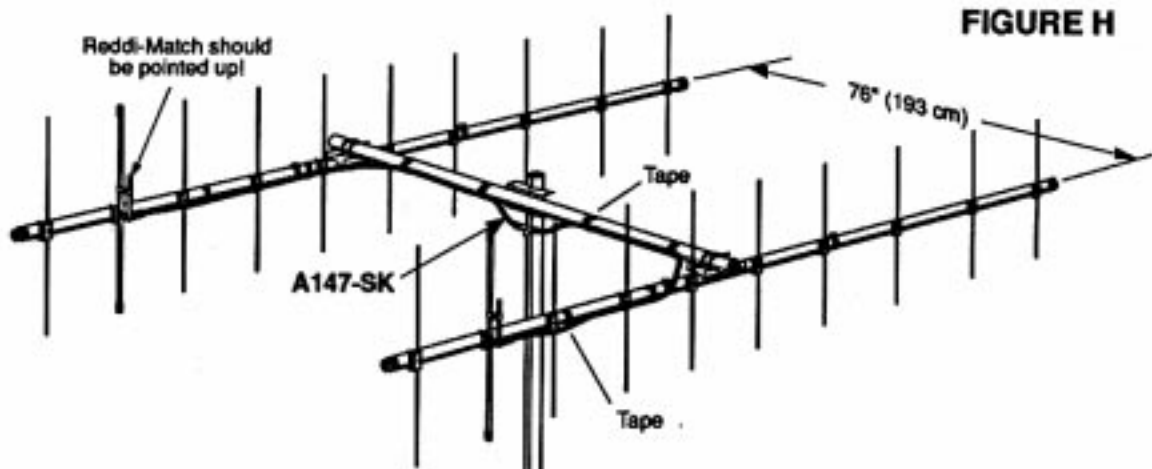



FIGURE H

KEY	PN	DISPLAY	DESC	SIZE	QTY
	A147-SK		PHASING HARNESS		1

Attach the phasing harness, A147-SK, to the connector bracket on the driven elements. Tape it down the booms as shown in figure H. Next, tape the phasing lines to the stacking boom.

## #7 - CONNECTOR ASSEMBLY

The antenna is designed for use with 50 Ohm coaxial cable terminated with a PL-259 connector. Any length of feedline can be used with your A148-20S. The shortest length of cable will have the least loss. A connector boot is included for use with your new antenna. Slide the boot over the cable before attaching your PL-259 (figure I). Spread silicone on the outer threads of the Reddi-Match connectors. Connect the feedline and apply the remaining silicone to the outside of the PL-259. Slip the vinyl boot over the connector and against the mast bracket for a weather tight connection.



KEY	PN	DISPLAY	DESC	SIZE	QTY
115	050115		CONN BOOT		3
116	240116		SILICONE PACKAGE		3

FIGURE I

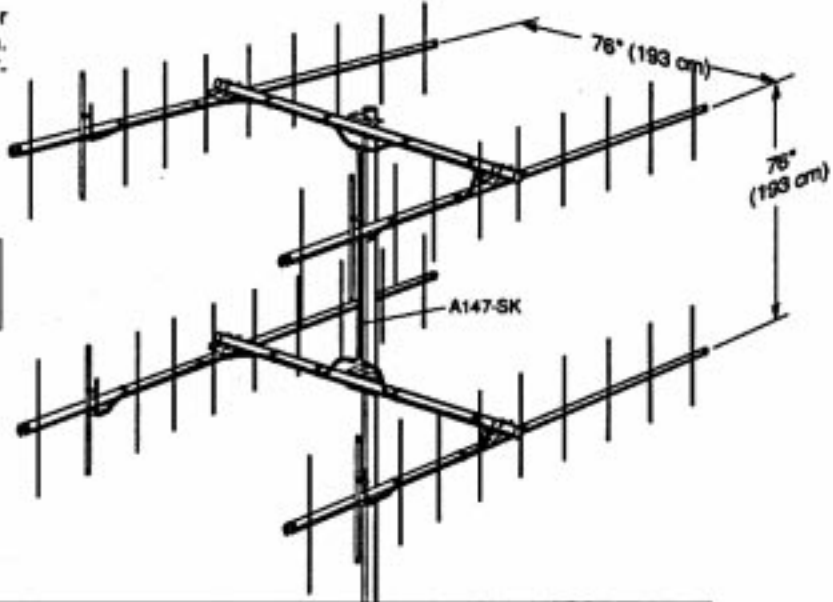


# STACKING OPTIONS

The A148-20S may be stacked in arrays for improved radiation patterns and increased gain. When stacking two A148-20S's use the A147-SK stacking harness.

**QUAD ARRAY**  
(2) A148-20S & A147-SK HARNESS

**FIGURE J**



SPECIFICATIONS			
<b>MODEL</b>	A148-20S		
Frequency, MHz	144-148	Boom Length, ft (m)	12 (3.6)
No. Elements	20	Longest Element, in (cm)	40.3 (102.4)
Forward Gain, dBd	15.2	Turning Radius, ft (m)	6.6 (2.0)
Front to Back Ratio, dB	24	Mount Size Range, in (cm)	1.25-2.0 (3.2-5.1)
SWR 1.2:1 Typical		Wind Load, ft <sup>2</sup> (m <sup>2</sup> )	2.82 (.26)
2:1 Bandwidth MHz	≥4	Weight, lb (kg)	15 (6.8)
Power Rating, Watts PEP	1000		
3 dB Beamwidth, Degrees			
E Plane	20		
H Plane	46		

### LIMITED WARRANTY

Cushcraft Corporation, P.O. Box 4680, Manchester, New Hampshire 03108, warrants to the original consumer purchaser for one year from date of purchase that each Cushcraft antenna is free of defects in material or workmanship. If, in the judgement of Cushcraft, any such antenna is defective, then Cushcraft Corporation will, at its option, repair or replace the antenna at its expense within thirty days of the date the antenna is returned (at purchaser expense) to Cushcraft or one of its authorized representatives. This warranty is in lieu of all other expressed warranties, any implied warranty is limited in duration to one year. Cushcraft Corporation shall not be liable for any incidental or consequential damages which may result from a defect. Some states do not allow limitations on how long an implied warranty lasts or exclusions or limitations of incidental or consequential damages, so the above limitation and exclusion may not apply to you. This warranty gives you specific legal rights, and you may also have other rights which vary from state to state. This warranty does not extend to any products which have been subject to misuse, neglect, accident or improper installation. Any repairs or alterations outside of the Cushcraft factory will nullify this warranty.



48 PERIMETER ROAD, MANCHESTER, NH 03103  
603-627-7877 / TELEX 4949472 / FAX 603-627-1764

SPECIFICATIONS SUBJECT TO CHANGE WITHOUT NOTICE

TA5FA