

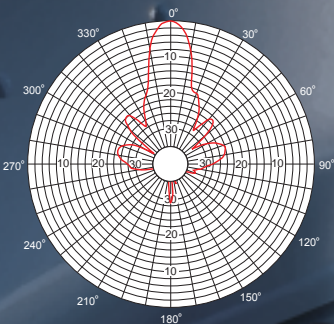
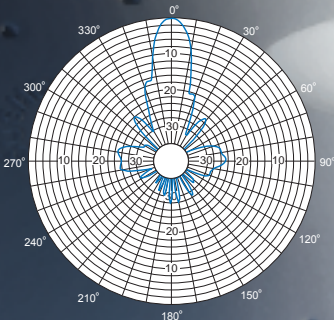
PRODUCT DATA SHEET



PARABOLIC DISH ANTENNA

- Linear polarization
- Heavy duty mounting hardware
- High gain
- High quality construction

— H-Plane
— E-Plane



S18521PDNF



S18521PDNF

PCS Band Parabolic Reflector Antenna

Manchester, NH based Cushcraft Corporation, a prominent designer and manufacturer of antennas for advanced technology wireless systems, announces the latest addition to its product line, the S18521PDNF 21 dBi, parabolic dish antenna for use in the PCS band from frequency 1850 -1990 MHz.

The antenna combines high performance and mechanical integrity features with versatility and fast, reliable mounting. At 21 dBi of gain, it offers all of the range performance one would need even for maintaining distant links. The antenna is field adjustable for polarization, a great feature when installing multiple point to point links in close proximity. The +/- 20 degree elevation adjustable antenna mounting hardware is extremely reliable. This is most critical for a dish antenna with as much gain as the S18521PDNF has as it must stay exactly pointed in the direction intended without wavering for its entire service life.

The antenna utilizes a 35" reflector and an N female connector and will mount to mast diameters up to 2.5".

Full specifications are available upon request (see contact information) and the antenna is available direct from the factory and through Cushcraft's expansive commercial distribution sales channel.

SPECIFICATION CHART

Model:	S18521PDNF
Reflector Size:	35" dia. (88.9 cm)
Frequency:	1850-1990 MHz
VSWR:	1.5:1 maximum
Polarization:	Linear
Gain:	21 dBi
Front-to-Back Ratio	25 dB
E-Plane (3 dB beamwidth):	13°
H-Plane (3 dB beamwidth):	13°
Sidelobes:	± 20 degrees
Power:	50 Watts
RF Connector:	Type N female
Weight w/mounting hardware:	13 lbs. (5.8 kg)
Mounting:	Mast mounted
Reflector Material:	Aluminum
Wind Survival:	120 mph (193 kph)
Mast Diameter:	2.5" max. (6.3 cm)

TA5FA