

ILLUSTRATED PARTS BREAKDOWN

PDP-11/44 UNIT ASSEMBLY

HOW TO USE THE IPB

GENERAL

This IPB is compiled following the organization and nomenclature of the engineering drawing structure.

MAJOR ASSEMBLY LOCATOR

The Major Assembly Locator (first illustration) is an index that provides a description and a figure reference for all illustrations used in this manual.

INDENTED PARTS LIST

This manual identifies each assembly being broken down (figure reference callout), and all parts of that assembly. Further breakdown of an assembly is shown by an asterisk (*) preceding the item callouts in the Description Column. The number of asterisks preceding an item is used to denote the subordination of that item with respect to the Major Assembly. A single asterisk preceding an item description indicates that the item is part of the major assembly being illustrated. Items that are subordinate to single asterisks items, are denoted by two asterisks (**) and immediately follow the related single asterisk item. Additional asterisks are used, as required, to denote further subordination. This system of part identification provides a means for the user to identify the next higher assembly item and make alternate selections for parts when the required replacement part or assembly is not immediately available.

COLUMN CALLOUT DESCRIPTION

Figure & Item - Indicates the figure number and item number of each part.

Description - Lists the name of the part and pertinent specifications (when required). Asterisks preceding the description denote the subordination of the part to the next higher assembly.

DEC Part No. - Lists the DEC part ordering number. A blank in this column indicates a DEC part number was not assigned at the time of publication.

ECO Cut-In - The notation at the top of this column indicates the ECO level of the system (option), at which the IPB was initially prepared. Subsequent ECO level designations, that modify existing parts or add new parts to the device, are inserted in the ECO Cut-In column next to the part that is added or modified. A bracket ([]) preceding the item description is used to indicate the parts affected by ECO's.

Vendor Code/Part No. - Indicates vendor parts that are not stocked by DEC. Refer to the Field Service Spares Catalog (vendor part number to DEC part number) for the vendor code cross-reference.

Used On Code - Letters in this column correspond to the variation codes assigned in Figure 1. Parts with an Alpha notation(s) are used only in those option variations. A blank indicates that the part is used on all option variations.

Ref Fig No. - A cross reference between illustrations. For each Major Assembly, the number in this column denotes the figure of the next higher assembly. For all subassemblies, the number in this column denotes the figure showing additional detailed breakdown.

SYMBOL USAGE

Hardware Designators - Alpha designators for screws (S), washers (W), nuts (N), and retaining rings (R) are inserted after the item number callouts on the illustration when stacked item numbers are used.

Attaching Hardware - The @ symbol is inserted before any part that is used as attaching hardware. Attaching hardware is denoted as those parts that are not an integral part of the referenced assembly.

(NFR) Not Field Repairable - The (NFR) symbol is inserted after any assembly that is not to be field dismantled.

Other Symbols - Any other symbols that are required for kits, accessories, etc., will be explained and appear as part of the item description.

REVISION HISTORY

PRINTING	ECO LEVEL	DATE	PAGES AFFECTED
1st Printing	11/44 00000-00000 70-16501 00000-00000	12-1-80	N/A

OTHER IPB MANUALS REQUIRED TO SUPPORT THIS OPTION

EK-BA11A-IP
EK-H7140-IP

Copyright 1980 by Digital Equipment Corporation. All rights reserved.

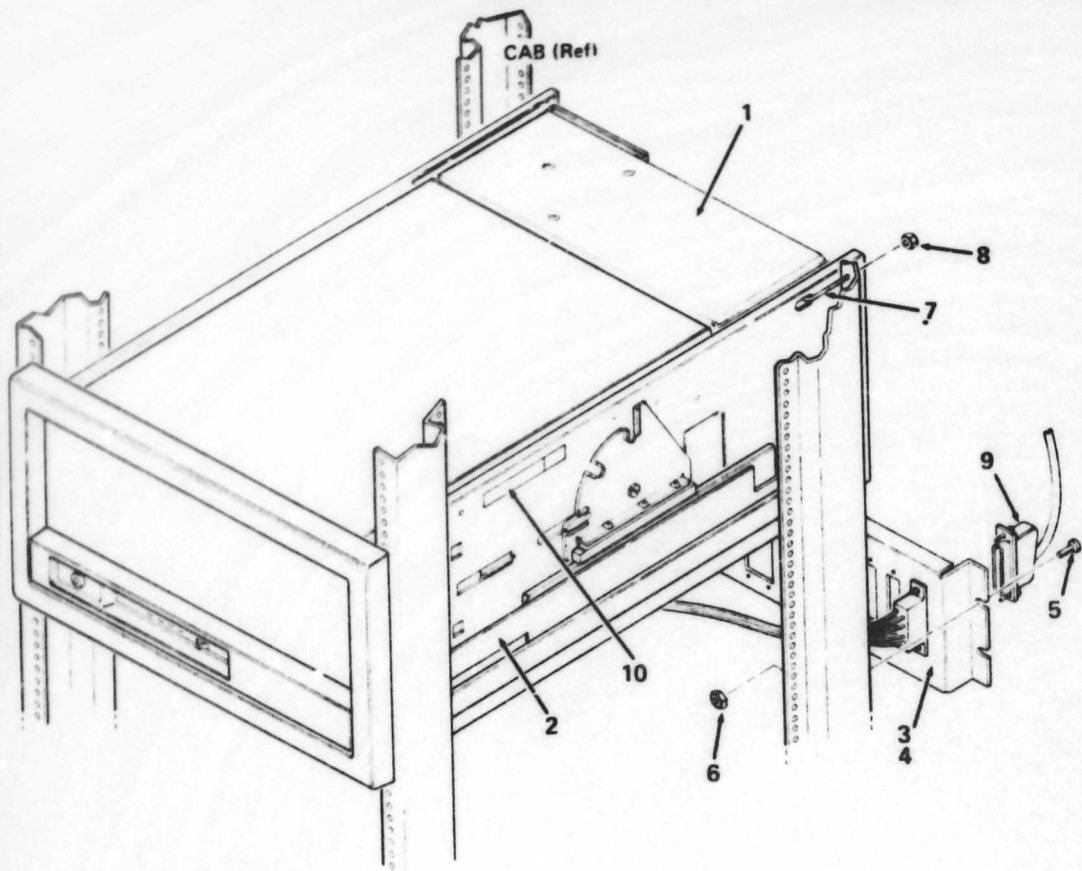
DEC reserves the right, without notice, to make substitutions and modifications in the specifications of products documented in this manual and further reserves the right to withdraw any of these products from the market without notice.

DEC is not responsible for errors which may appear in the technical description (including illustrations and photographs) of the products covered by this manual.

None of the descriptions contained in this manual imply the granting of any license whatsoever to make, use or sell equipment constructed in accordance therewith.

Printed in U.S.A.

PDP 11/44-1



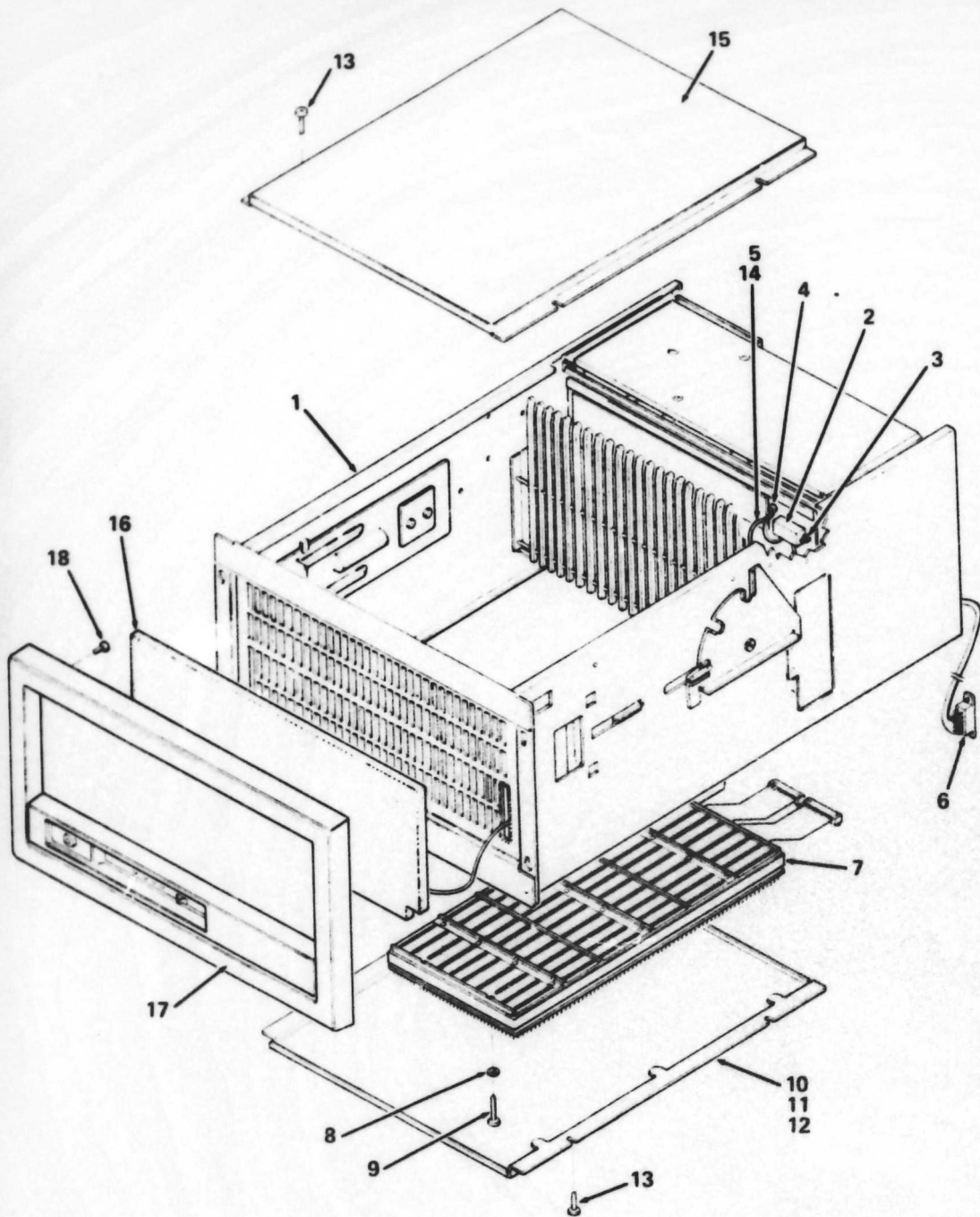
11/44-01

Figure 1. PDP 11/44 Unit Assembly

IPB-11/44

PDP 11/44-2

FIG. & ITEM NO.	DESCRIPTION	DEC PART NO.	ECO CUT-IN 11/44 00000	USED ON CODE	REF FIG NO.
1-	PDP 11/44 UNIT ASSEMBLY Code A - Used on Model 11/44-CA 115V Code B - Used on Model 11/44-CB 230V	11/44-CA 11/44-CB		A B	
1	*PDP 11/44 UNIT ASSEMBLY 115V	11/44-XX		A	2
2	*PDP 11/44 UNIT ASSEMBLY 230V	11/44-XY		B	2
3	*Chassis Slide Kit (1 Pair w/Hardware)	12-16971-00			
4	*I/O PANEL KIT ASSEMBLY	70-17048-00			
5	**I/O Panel	74-22923-00			
6	**Screw, Phi Truss Hd No. 10-32 x .50	90-06073-03			
7	**Nut, Kep No. 10-32	90-06565-00			
8	*Shipping Bracket	74-13659-00			
9	*Nut, Kep No. 10-32	90-06565-00			
10	*Null Modem Cable Assembly (25 ft)	BC03M-25			
	*Decal, "Variation Change"	36-15946-00			
	Module (Not Shown)				
	*Memory Board (256 KB MOS ECC)	MS11-MB			



11/44-02

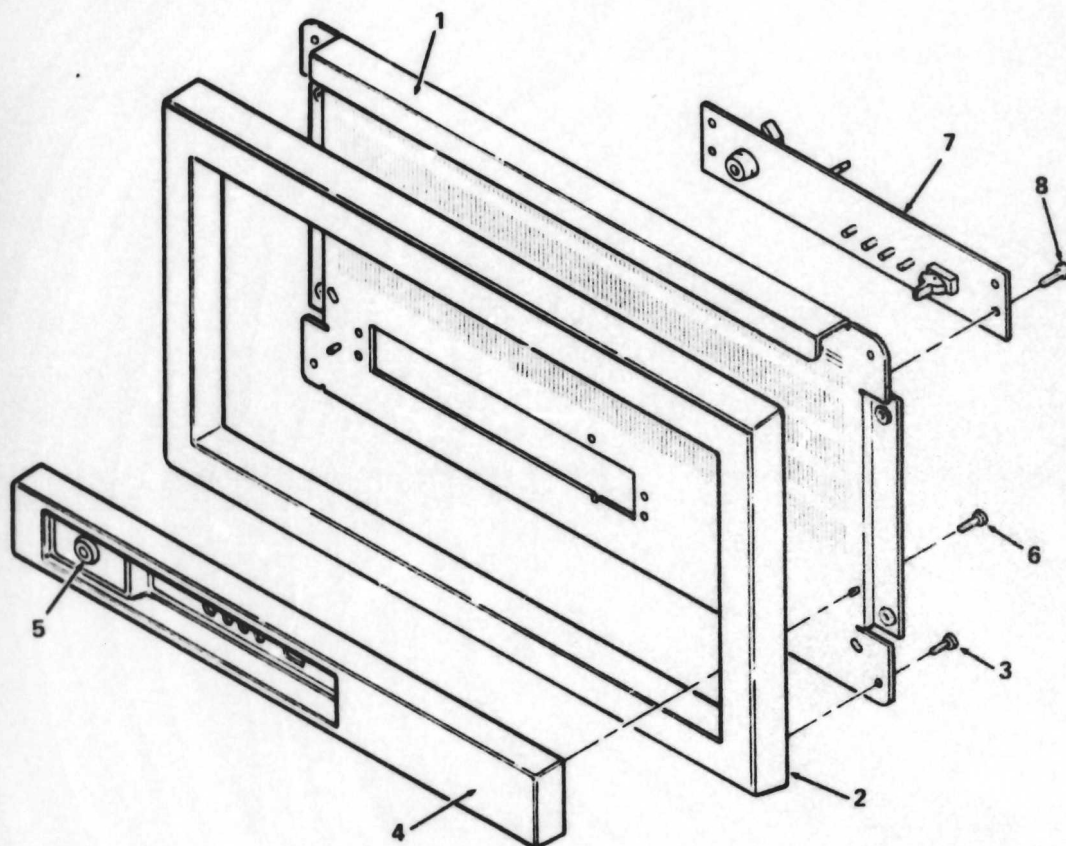
Figure 2. PDP 11/44 Unit Assembly



PDP 11/44-4

FIG. & ITEM NO.	DESCRIPTION	DEC PART NO.	ECO CUT-IN 11/44 00000	USED ON CODE	REF FIG NO.
2-	PDP 11/44 UNIT ASSEMBLY Code C - Used on Model 11/44-XX 115V Code D - Used on Model 11/44-XY 230V	11/44-XX 11/44-XY		C D	
1	*BA11-AA UNIT ASSEMBLY 115V	BA11-AA		C	
	*BA11-AB UNIT ASSEMBLY 230V	BA11-AB		D	
2	*Ground inductor	12-13304-00			
3	*Nut, Kep No. 6-32 Special	90-08185-00			
4	*Nut, Kep No. 8-32	90-06563-00			
5	*Wire Assembly	74-22393-00			
6	*Filtered Cable Assembly	BC44A-10			
7	*KD11-Z Processor	KD11-Z			
8	*Washer, Ext Tooth Lock No. 8	90-08072-00			
9	*Screw, Phi Truss Hd No. 8-32 x 5/8	90-06040-03			
10	*BOTTOM COVER ASSEMBLY	70-16479-00			
11	**Cover, Bottom	74-21617-00			
12	**Pad, Insulator	12-16191-00			
13	*Screw, Sems No. 6-32 x .31	90-09701-00			
14	*CIM Cable Assembly	70-16487-00			
15	*Cover, Top	74-21614-00			
16	*Air Filter	12-16271-00			
17	*CONSOLE/BEZEL ASSEMBLY	70-16501-00			3
18	*Screw, Phi Truss Hd No. 10-32 x .50	90-06073-03			
	Modules/Decals (Not Shown)				
	*KK11-B Cache	KK11-B			
	*Grant Continuity	G727-00			
	*Unibus Terminator/Sack Turnaround	M9302-00			
	*Loop Back Connector	74-22428-00			
	*Decal "Module Layout"	36-16928-00			
	*Decal "Serial Tag"	36-15180-00			
	*Decal "Danger"	36-15087-00			

FIG. & ITEM NO.	DESCRIPTION	DEC PART NO.	ECO CUT-IN 70-16501 00000	USED ON CODE	REF FIG NO.
3-	CONSOLE/BEZEL ASSEMBLY	70-16501-00			2
1	*Panel, Console Mounting	74-22016-00			
2	*Bezel	74-22006-00			
3	*Screw, No. 10-32 x .50 Nylock	90-10119-00			
4	*CONSOLE ASSEMBLY	70-16500-00			
5	**Keylock	12-16178-00			
6	*Screw, No. 8-32 x .38 Nylock	90-10148-00			
7	*Front Panel Board Assembly	54-13671-00			
8	*Screw, No. 6-32 x .31 Nylock	90-10148-00			
					DEC



11/44-03

Figure 3. Console/Bezel Assembly