

ILLUSTRATED PARTS BREAKDOWN

PDP-11X44 16 BIT COMPUTER

HOW TO USE THE IPB

GENERAL

This IPB is compiled following the organization and nomenclature of the engineering drawing structure.

MAJOR ASSEMBLY LOCATOR

The Major Assembly Locator (first illustration) is an index that provides a description and a figure reference for all illustrations used in this manual.

INDENTED PARTS LIST

This manual identifies each assembly being broken down (figure reference callout), and all parts of that assembly. Further breakdown of an assembly is shown by an asterisk (*) preceding the item callouts in the Description Column. The number of asterisks preceding an item is used to denote the subordination of that item with respect to the Major Assembly. A single asterisk preceding an item description indicates that the item is part of the major assembly being illustrated. Items that are subordinate to single asterisk items, are denoted by two asterisks (**) and immediately follow the related single asterisk item. Additional asterisks are used, as required, to denote further subordination. This system of part identification, provides a means for the user to identify the next higher assembly item and make alternate selections for parts when the required replacement part or assembly is not immediately available.

COLUMN CALLOUT DESCRIPTION

Figure & Item - Indicates the figure number and item number of each part.

Description - Lists the name of the part and pertinent specifications (when required). Asterisks preceding the description denote the subordination of the part to the next higher assembly.

DEC Part No. - Lists the DEC part ordering number. A blank in this column indicates a DEC part number was not assigned at the time of publication.

ECO Cut-In - The notation at the top of this column indicates the ECO level of the system (option), at which the IPB was initially prepared. Subsequent ECO level designations, that modify existing parts or add new parts to the device, are inserted in the ECO Cut-In column next to the part that is added or modified. A bracket ([]) preceding the item description is used to indicate the parts affected by ECO's.

Vendor Code/Part No. - Indicates vendor parts that are not stocked by DEC. Refer to the Field Service Spares Catalog (vendor part number to DEC part number) for the vendor code cross-reference.

Used On Code - Letters in this column correspond to the variation codes assigned in Figure 1. Parts with an Alpha notation(s) are used only in those option variations. A blank indicates that the part is used on all option variations.

Ref Fig No. - A cross reference between illustrations. For each Major Assembly, the number in this column denotes the figure of the next higher assembly. For all subassemblies, the number in this column denotes the figure showing additional detailed breakdown.

SYMBOL USAGE

Hardware Designators - Alpha designators for screws (S), washers (W), nuts (N), and retaining rings (R) are inserted after the item number callouts on the illustration when stacked item numbers are used.

Attaching Hardware - The @ symbol is inserted before any part that is used as attaching hardware. Attaching hardware is denoted as those parts that are not an integral part of the referenced assembly.

(NFR) Not Field Repairable - The (NFR) symbol is inserted after any assembly that is not to be field dismantled.

Other Symbols - Any other symbols that are required for kits, accessories, etc., will be explained and appear as part of the item description.

REVISION HISTORY

PRINTING	ECO LEVEL		DATE	PAGES AFFECTED
1st Printing	11X44	00000-00000	5-8-81	N/A
	70-16719	00000-00000		
	70-17024	16719-00002		
	70-17025	00000-00000		
	70-17023	00000-00000		
	H9544-MJ	H9544-00002		
	70-0828R	08288-00007		

OTHER IPB MANUALS REQUIRED TO SUPPORT THIS OPTION

EK-01144-IP
EK-BA11A-IP
EK-H7140-IP
EK-00872-IP
EK-0TU58-IP

Copyright © 1981 by Digital Equipment Corporation. All rights reserved.

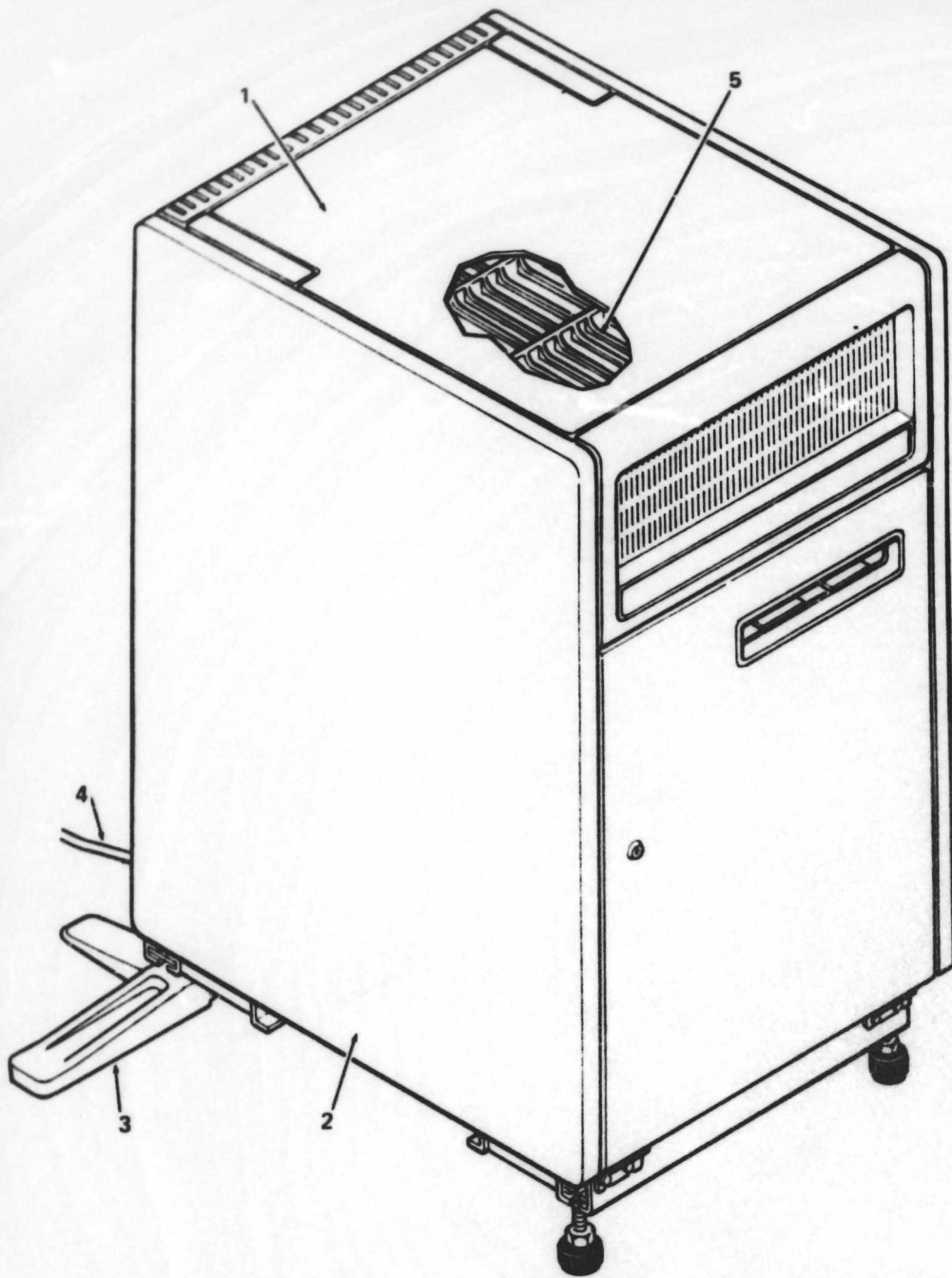
DEC reserves the right, without notice, to make substitutions and modifications in the specifications of products documented in this manual and further reserves the right to withdraw any of these products from the market without notice.

DEC is not responsible for errors which may appear in the technical description (including illustrations and photographs) of the products covered by this manual.

None of the descriptions contained in this manual imply the granting of any license whatsoever to make, use or sell equipment constructed in accordance therewith.

Printed in U.S.A.

PDP-11X44-1



11X44-01

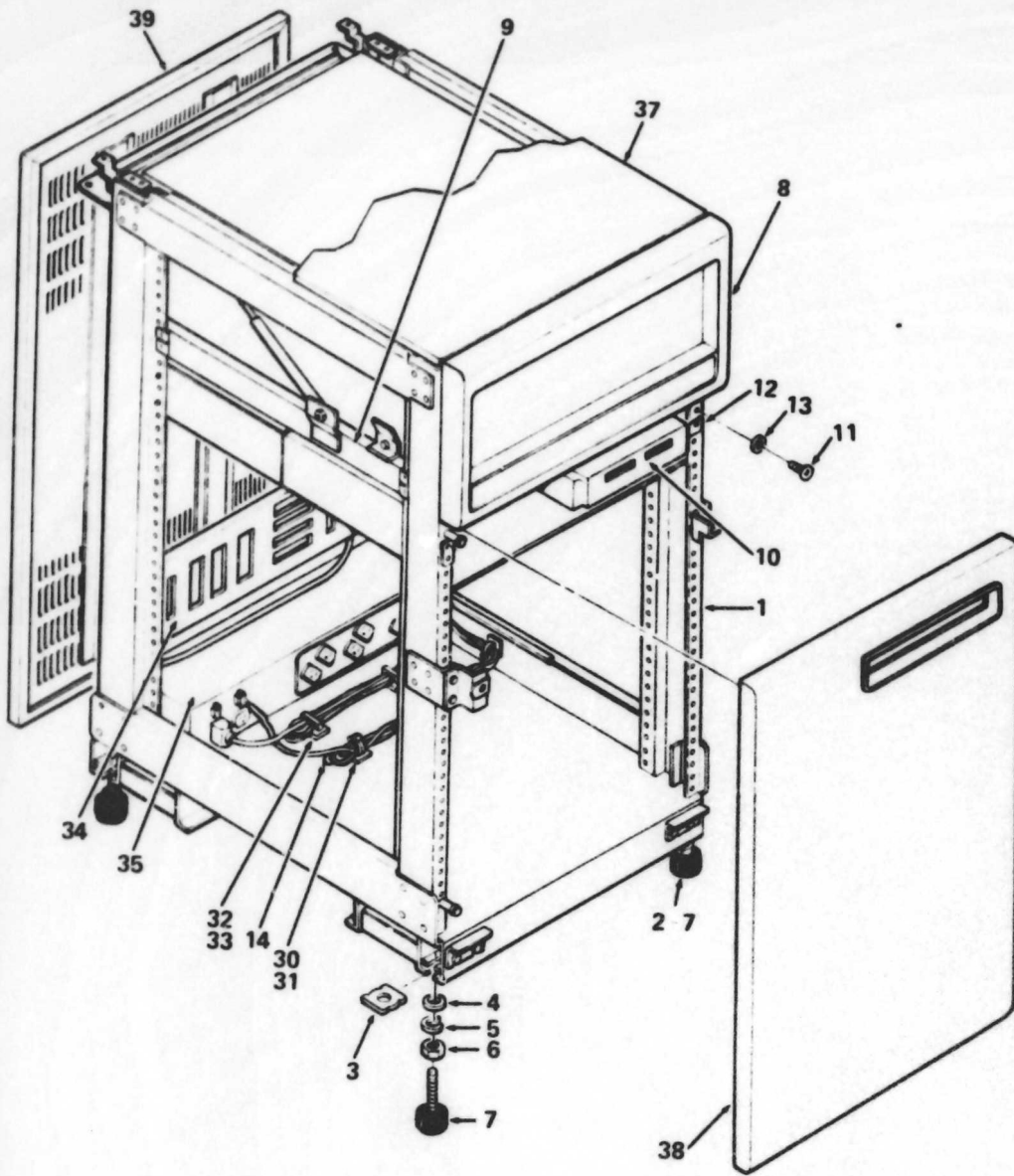
Figure 1. 11X44 Kernel



IPB-11X44

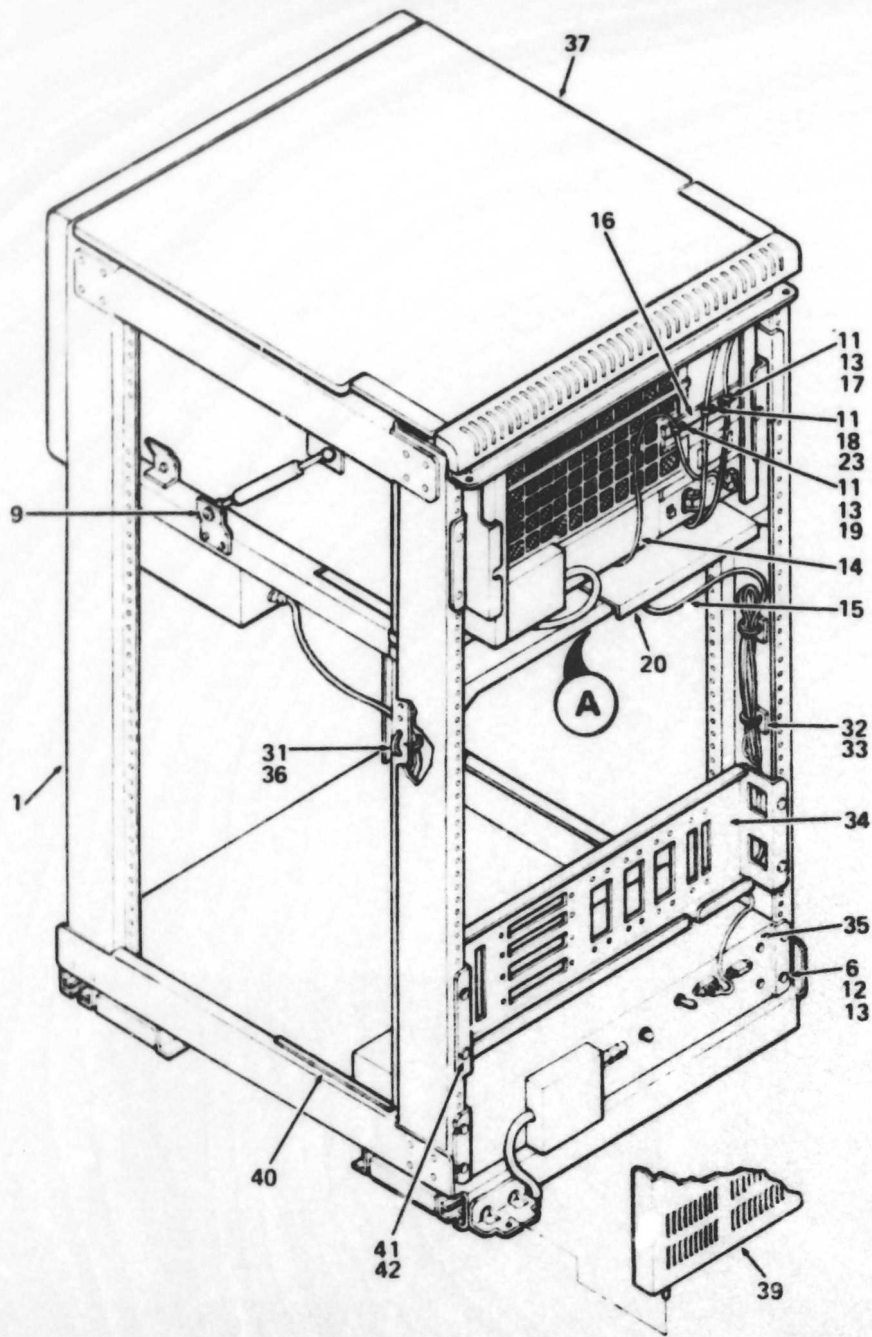
PDP-11X44-2

FIG. & ITEM NO.	DESCRIPTION	DEC PART NO.	ECO CUT-IN 11X44 00000	USED ON CODE	REF FIG NO.
1-	11X44 KERNEL Code A - Used on Model 11X44-CA 120 V Code B - Used on Model 11X44-CB 240 V	11X44-CA 11X44-CB		A B	
1	*CPU KERNEL 11/44 120 V	70-16719-00		A	2
2	*CPU KERNEL 11/44 240 V	70-16719-01		B	2
2	*Panel, End (40") (Brown)	H9544-AA			
3	*STABILIZER KIT ASSEMBLY	H9544-MJ			6
4	*Cable, Null Modem (25 feet)	BC22A-25			
5	*ECC MOS Memory	MS11-MB			



11X44-02

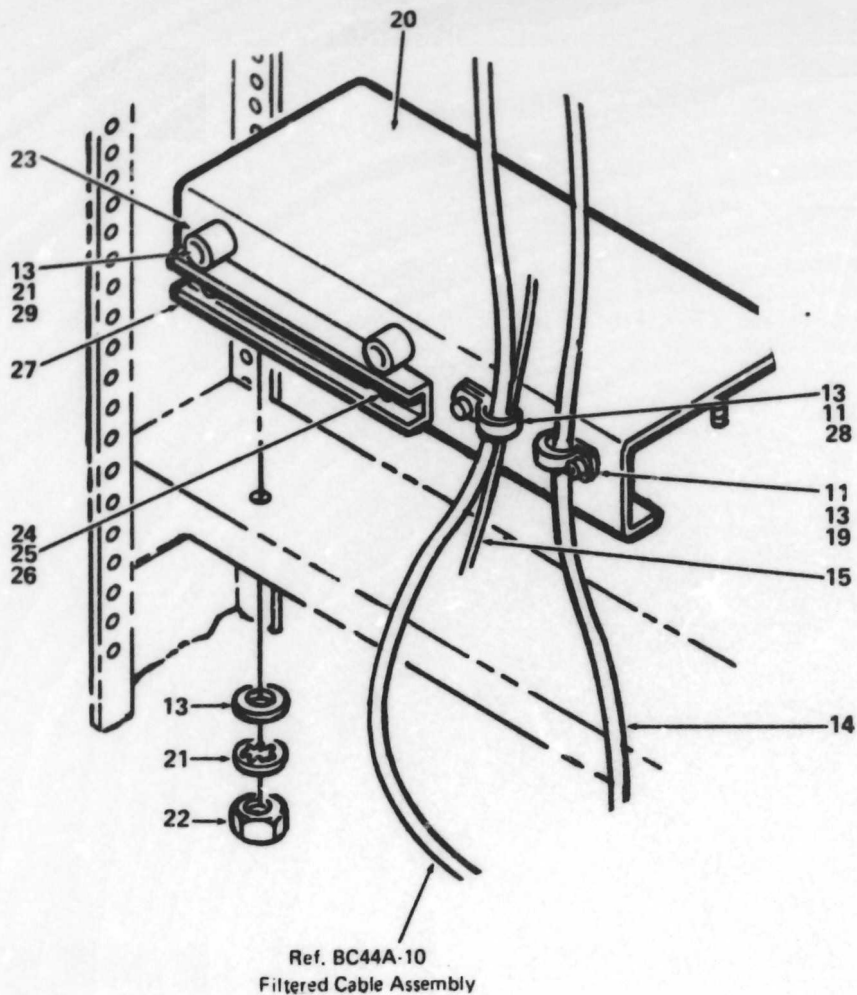
Figure 2. CPU Kernel 11/44 (Sheet 1 of 3)



11X44-02A

Figure 2. CPU Kernel 11/44 (Sheet 2 of 3)

PDP-11X44-5



A

11X44-02B

Figure 2. CPU Kernel 11/44 (Sheet 3 of 3)

1

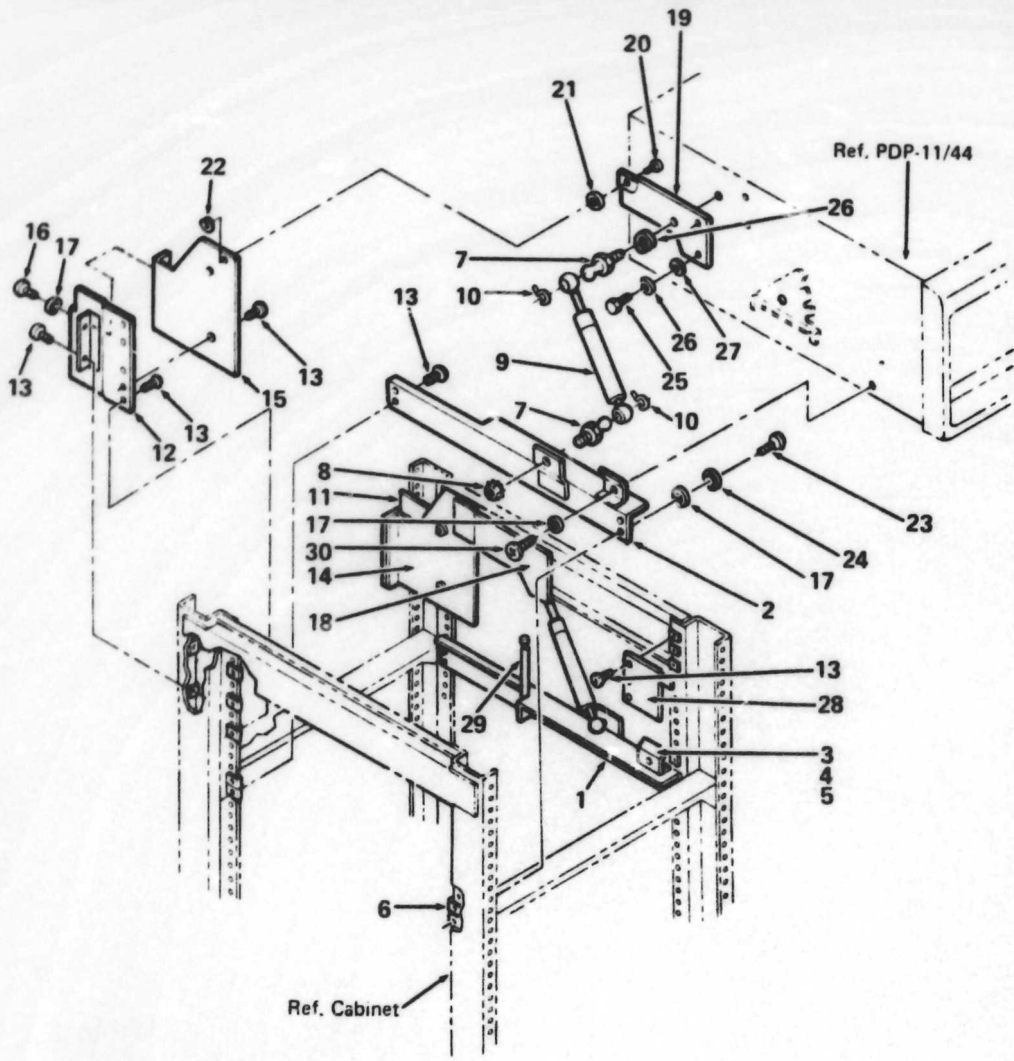
5

IPB-11X44



PDP-11X44-6

FIG. & ITEM NO.	DESCRIPTION	DEC PART NO.	ECO CUT-IN 70-16719 00000	USED ON CODE	REF FIG NO.
2-	CPU KERNEL 11/44 120 V	70-16719-00		AC	1
	CPU KERNEL 11/44 240 V	70-16719-01		BD	1
1	*Frame Assembly (40")	H9542-FE			
2	*LEVELER KIT	H9544-HB			
3	**Nut, Weld No. 1/2-13	90-08878-00			
4	**Washer, Flat	90-09026-00			
5	**Washer, Lock Split	90-09895-00			
6	**Nut, Hex	90-06596-00			
7	**Foot, Leveler Cushion	90-07601-01			
8	*PDP. 11/44 Unit Assembly	11/44-XX		AC	
	See PDP-11/44 IPB Manual				
	*PDP-11/44 Unit Assembly	11/44-XY		BD	
9	*GAS SPRING INTERFACE KIT	70-17024-00			3
10	*TU58 CARTRIDGE TAPE DRIVE (Rack Mount without Data Cables)	TU58-CX		See TJ58 IPB Manual	
11	*Screw, Sems, Phi Truss Hd No. 10-32 x 1/2	90-09700-00			
12	*U-Nut, Retainer No. 10-32	90-07786-00			
13	*Washer, Flat	90-06664-00			
14	*CABLE ASSEMBLY (PDP-11)	70-08288-8F			7
15	*CABLE ASSEMBLY (TU58)	BC44D-09			
16	*Bracket, Strain Relief	74-22995-00			
17	*Clamp, Cable Screw Mount (3/16")	90-07080-00			
18	*Clamp, Cable Screw Mount (5/16")	90-07082-00			
19	*Clamp, Cable Screw Mount (1/8")	90-07079-00			
20	*Plate, Cable Tie	74-22997-00			
21	*Washer, Lock, Int. Tooth No. 10	90-09896-00			
22	*Nut, Hex No. 10-32 x 3/8 AF x 1/8	90-06564-00			
23	*Spacer, Fiber	90-07660-00			
24	*Screw, Pan, Phi. Hd. No. 4-40 x 3/8	90-06011-01			
25	*Washer, Lock	90-06688-00			
26	*Washer, Flat	90-06655-00			
27	*Bracket, Cable Tie	74-22996-00			
28	*Clamp, Cable Screw Mount (3/8")	90-07083-00			
29	*Screw, Pan, Phi Hd No. 10-32 x 1	90-06077-01			
30	*Mount, Cable Tie, Adhesive Backed	90-08264-00			
31	*Tie, Cable	90-07032-00			
32	*Clip, Flat Cable with Adhesive Back	12-15843-01			
33	*Spacer, Foam for Flat Wire Clip	12-13716-01			
34	*I/O Panel Kit Assembly	70-17048-00			
35	*POWER CONTROLLER 120 V/24 A	00872-D		AC	
	See 872 IPB Manual				
	*POWER CONTROLLER 240 V/12 A	00872-B		BD	
36	*Mount, Push Cable Tie	90-07867-00			
37	*COVER KIT, (ROTATING BOX)	70-17025-00			4
38	*FRONT DOOR KIT	70-17023-00			5
39	*Door, Rear (40")	H9544-BA			
40	*Grommet, Strip (14")	90-09718-00			
41	*Washer, Lock	90-07801-00			
42	*Screw, Phi Pan Hd No. 6-32 x 5/16	90-09708-00			



11X44-03

Figure 3. Gas Spring Interface Kit

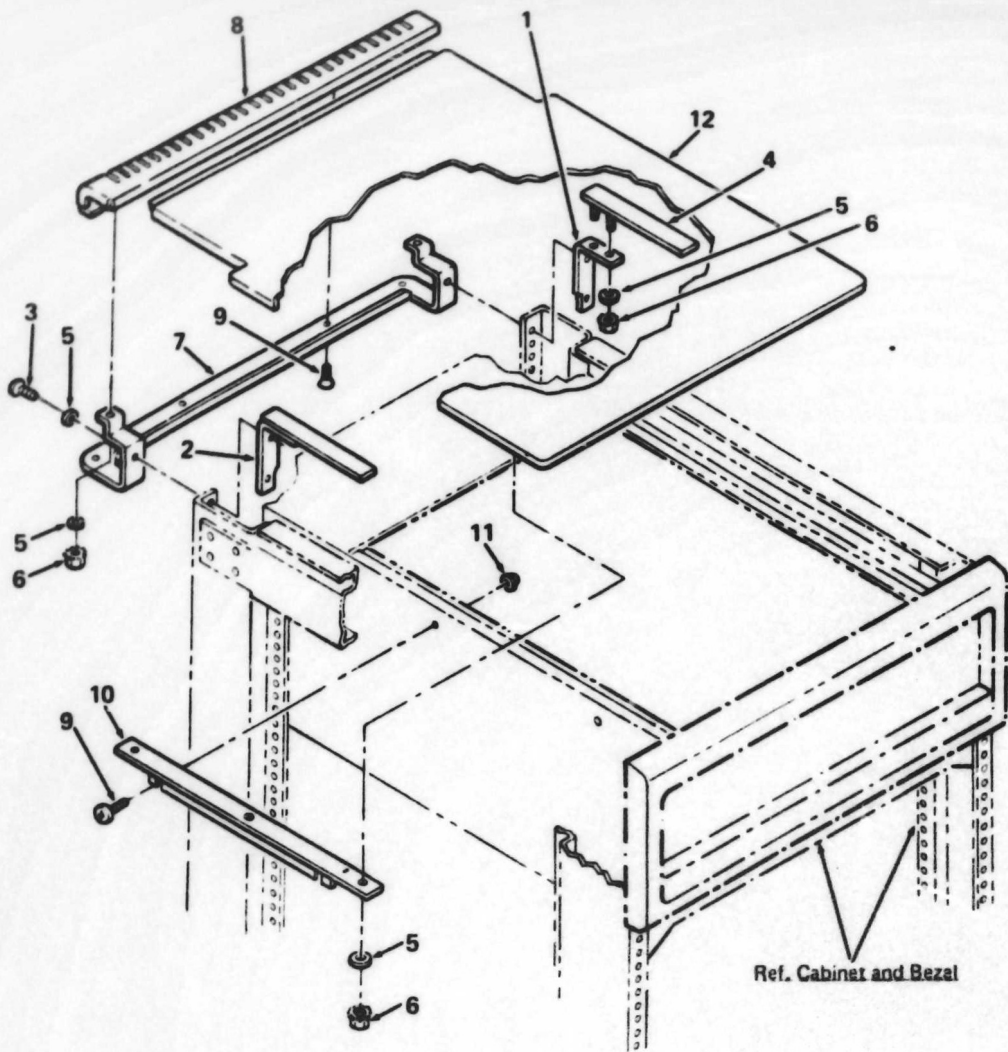
7

IPB-11X44



PDP-11X44-8

FIG. & ITEM NO.	DESCRIPTION	DEC PART NO.	ECO CUT-IN 70-16719 00002	USED ON CODE	REF FIG NO.
3-	GAS SPRING INTERFACE KIT	70-17024-00			2
1	*CABINET SIDE INTERFACE ASSEMBLY, Right Hand	70-16718-00			
2	*CABINET SIDE INTERFACE ASSEMBLY, Left Hand	70-16999-00			
3	*Bracket, Centering and Tie Down	74-22639-00			
4	*Screw, Sems Phi Pan Hd No. 8-32 x 1/2	90-09545-01			
5	*Washer, Flat	90-06660-00			
6	*Retainer, U-Nut No. 10-32	90-07786-00			
7	*Stud, Ball (10 mm 1.038)	12-16627-00			
8	*Nut, Kep No. 5/16-24 x 1/2 AF	90-07893-00			
9	*Spring, Gas, Double Damped	12-16166-00			
10	*Clip, Safety	12-15806-00			
11	*Bracket, Cabinet Rear, Interface, Right Hand	74-22642-00			
12	*Bracket, Cabinet Rear, Interface, Left Hand	74-22642-01			
13	*Screw, Sems, Phi Truss Hd No. 10-32 x 1/2	90-09700-00			
14	*Bracket, Pivot, Right Hand	74-22644-00			
15	*Bracket Pivot, Left Hand	74-22644-01			
16	*Screw, Sems, Phi Pan Hd No. 10-32 x 3/8	90-09228-10			
17	*Washer, Flat	90-06664-00			
18	*Bracket, Box Interface, Right Hand	74-22641-00			
19	*Bracket, Box Interface, Left Hand	74-22641-01			
20	*Pin, Pivot	74-22640-00			
21	*Washer, Flat Nylon	90-00003-02			
22	*Retaining Ring, External	90-10219-00			
23	*Screw, Phi Pan Hd No. 10-32 x 5/8	90-06074-01			
24	*Washer, Lock Int. Tooth No. 10	90-09896-00			
25	*Screw, Hex No. 5/16-24 x 1/2	12-16633-00			
26	*Washer, Lock	90-06638-00			
27	*Washer, Flat	90-06679-00			
28	*Stop, Tie Down	74-22638-00			
29	*Foot, Leveling, Ohio Nut and Bolt	90-07872-00			
30	*Screw, Sems, Phi Truss Hd No. 10-32 x 1/2	12-17330-00			



11X44-04

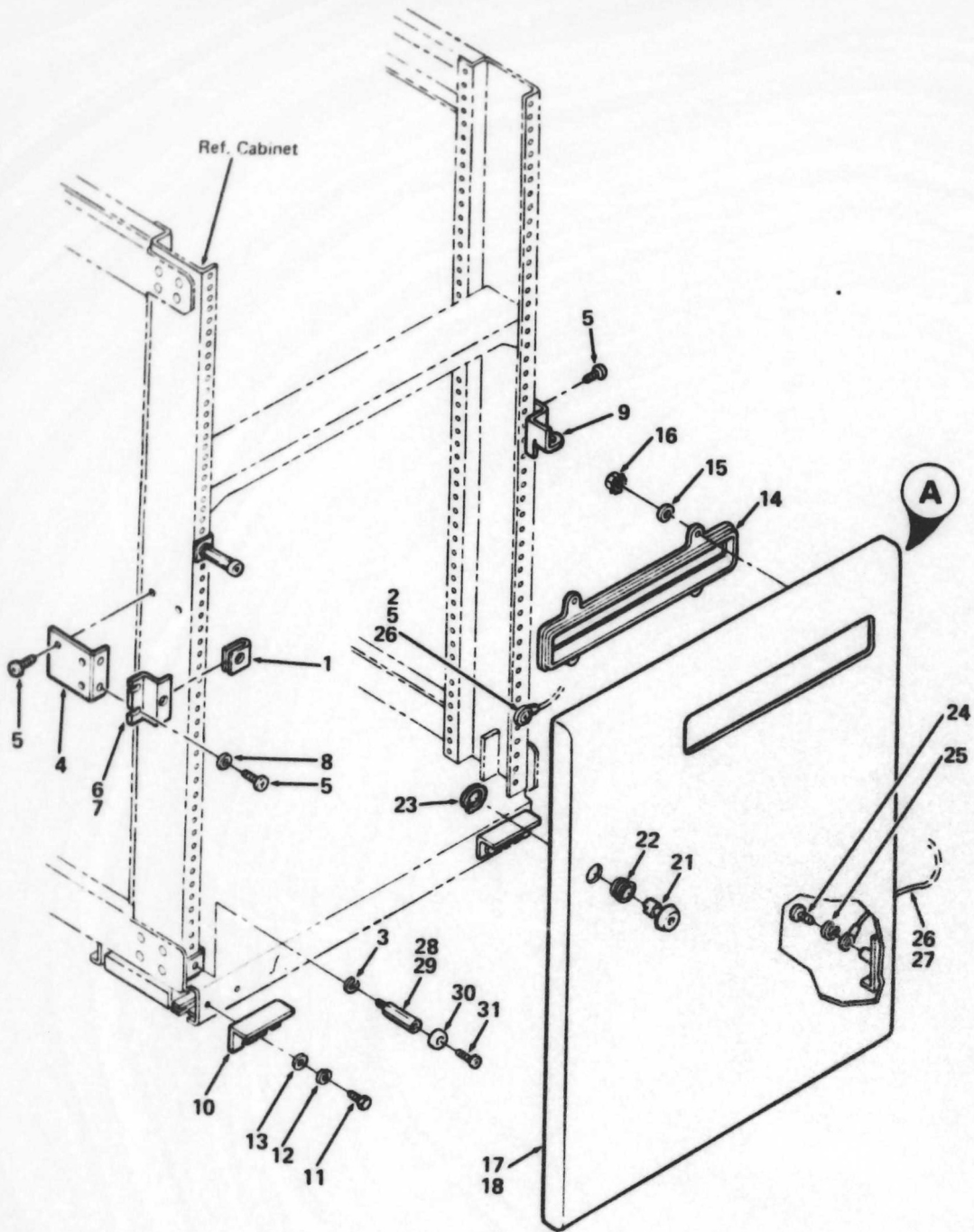
Figure 4. Cover Kit, (Rotating Box)

IPB-11X44



PDP-11X44-14

FIG. & ITEM NO.	DESCRIPTION	DEC PART NO.	ECO CUT-IN 70-17025 00000	USED ON CODE	REF FIG NO.
4-	COVER KIT, (ROTATING BOX)	70-17025-00			2
1	*Bracket, Trim Strip Support, Right Hand	74-22653-00			
2	*Bracket, Trim Strip Support, Left Hand	74-22653-01			
3	*Screw, Sems, Phi Truss Hd No. 10-32 x 1/2	90-09700-00			
4	*Strip, Trim	74-22654-00			
5	*Washer, Flat	90-06664-00			
6	*Nut, Kep No. 10-32 x 3/8	90-06565-00			
7	*Bracket, Rear Vent	74-22646-00			
8	*Vent, Rear	74-22661-00			
9	*Screw, Flat Phi Hd No. 10-32 x 5/16	90-06070-02			
10	*Bracket, Top Cover	74-22645-00			
11	*Nut, Cap No. 10-32 x 7/16	90-06610-00			
12	*Cover, Removable Top	74-22666-00			



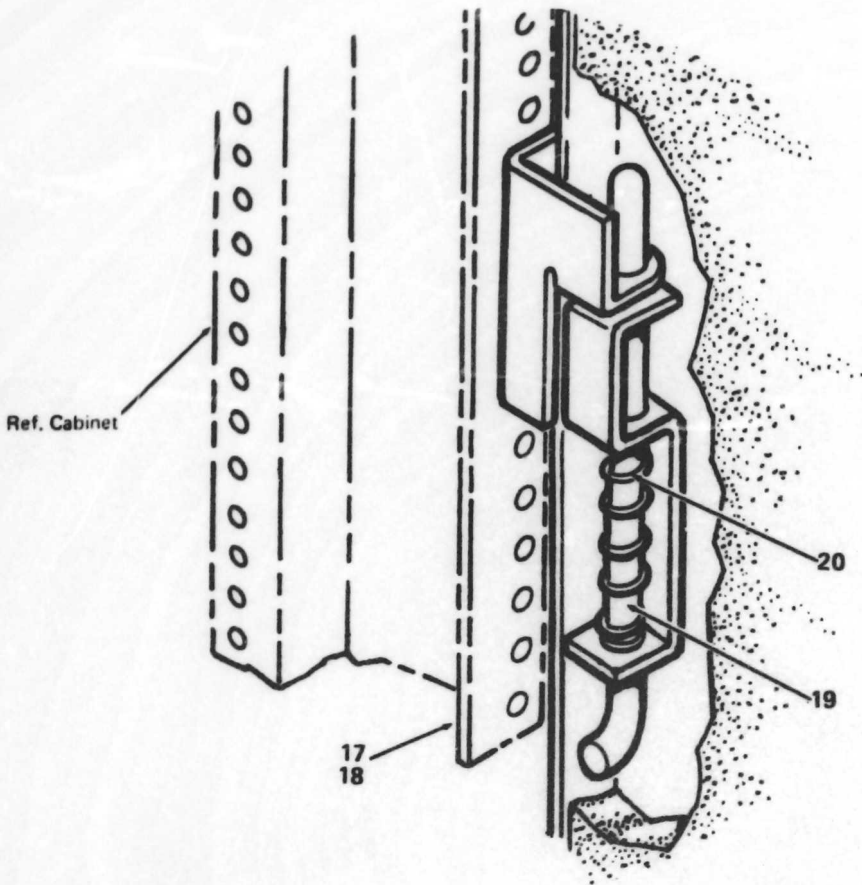
11X44-05

Figure 5. Front Door Kit (Sheet 1 of 2)

IPB-11X44

IPB-11X44

PDP-11X44-12



(A)

11X44-05A

Figure 5. Front Door Kit (Sheet 2 of 2)

digital
PARTS LIST

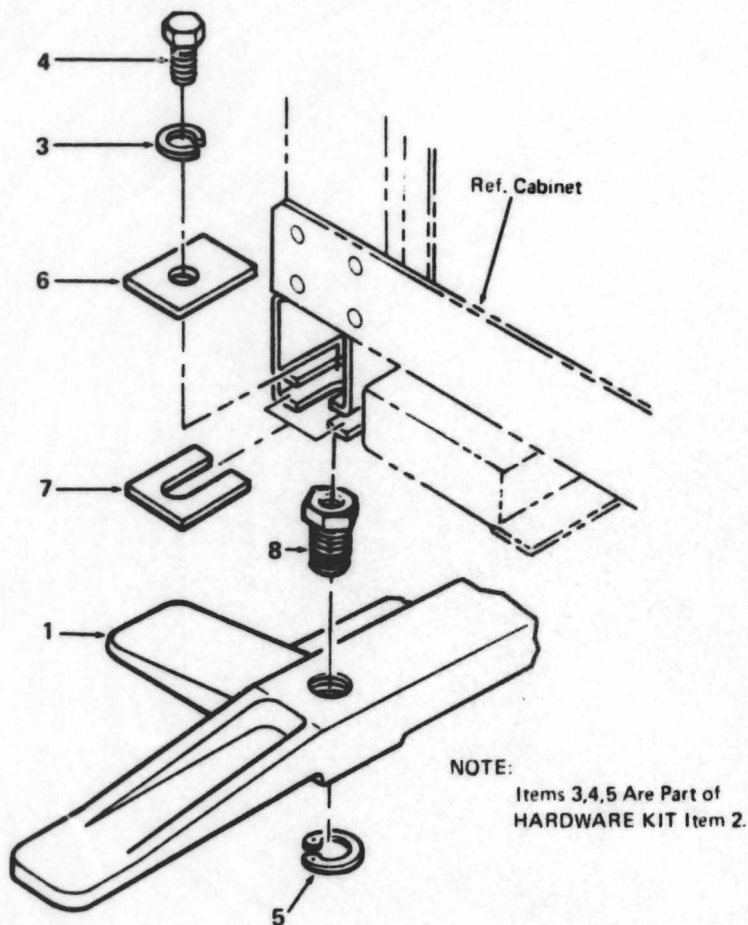
12

1

PDP-11X44-13

FIG. & ITEM NO.	DESCRIPTION	DEC PART NO.	ECO CUT-IN 70-17023 00000	USED ON CODE	REF FIG NO.
5-	FRONT DOOR KIT	70-17023-00			2
1	*Retainer, U-Nut No. 10-32	90-07786-00			
2	*Nut, Kep No. 10-32 x 3/8	90-06565-00			
3	*Washer, Lock No. 10	90-07906-00			
4	*Bracket, Door Lock Mounting	74-22267-00			
5	*Screw, Sems Phi Truss Hd No. 10-32 x 1/2	90-09700-00			
6	*Bracket, Door Lock	74-22222-00			
7	*Spring, Receptacle Fastener	12-12972-02			
8	*Washer, Flat	90-06664-00			
9	*Bracket, Top Pivot	74-22264-00			
10	*Bracket, Front Door Pivot	74-22262-00			
11	*Screw, Hex No. 1/4-20 x 3/4	90-06243-09			
12	*Washer, Lock	90-07797-00			
13	*Washer, Flat	90-06676-00			
14	*Bezel, Door Mounted	74-22951-00			
15	*Washer, Flat	90-09949-00			
16	*Nut, Kep No. 6-32 x 1/4	90-08185-00			
17	*FRONT DOOR ASSEMBLY	70-17022-00			
18	**Front Door Assembly (Weldment)	70-17021-00			
19	**Pin, Door Hinge	12-16223-00			
20	**Spring, Hinge	12-16225-00			
21	**Fastener, Quarter Turn with Recessed Hex Socket	12-12972-06			
22	**Grommet, Half for 1/4 Turn Fastener	12-12972-03			
23	**Ring, Retaining	90-08500-00			
24	**Screw, Pan Phi Hd No. 10-32 x 1/4	90-08007-01			
25	**Washer, Lock	90-06635-00			
26	**Ground Strap	12-13756-12			
27	**Label, "Chassis Ground"	36-13272-00			
28	*DOOR STOP	70-16703-00			
29	**Standoff, Hex M/F No. 10-32	90-00001-13			
30	**Bumper, Rubber	90-09168-00			
31	**Screw, Phi Pan Hd No. 6-32 x 3/8	90-09022-01			

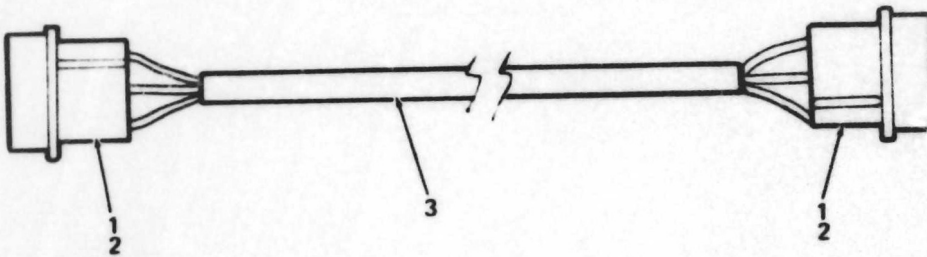
FIG. & ITEM NO.	DESCRIPTION	DEC PART NO.	ECO CUT-IN H9544 00002	USED ON CODE	REF FIG NO.
6-	STABILIZER KIT ASSEMBLY	H9544-MJ		AB	1
1	*Casting, Stabilizer	74-24063-00			
2	*Hardware Kit	22-00032-00			
3	**Washer, Lock, Split .518 ID x .873 OD	90-09895-00			
4	**Screw, Hex No. 1/2-13 x 3/4	90-00043-02			
5	**Ring, Retaining	90-09703-00			
6	*Washer, Rectangular	74-23349-00			
7	*Shim	74-23352-00			
8	*Coupler	74-24074-00			



11X44-06

Figure 6. Stabilizer Kit Assembly

FIG. & ITEM NO.	DESCRIPTION	DEC PART NO.	ECO CUT-IN 70-08288 00007	USED ON CODE	REF FIG NO.
7-	CABLE ASSEMBLY (8 ft., 6 in)	70-08288-8F			2
1	*Connector, (P1, P2) Pin Housing, 3 Pin Mate-N-Lok	12-09351-03			DEC
2	*Terminal, Pin Contact	12-09378-03			
3	*Wire, 3 Cond. No. 22 AWG	91-07756-00			



11X44-07

Figure 7. Cable Assembly (PDP-11)