



Montres Journe SA  
Genève

F.P. JOURNE  
Invenit et Fecit

---

TOURBILLON SOUVERAIN

# USER MANUAL

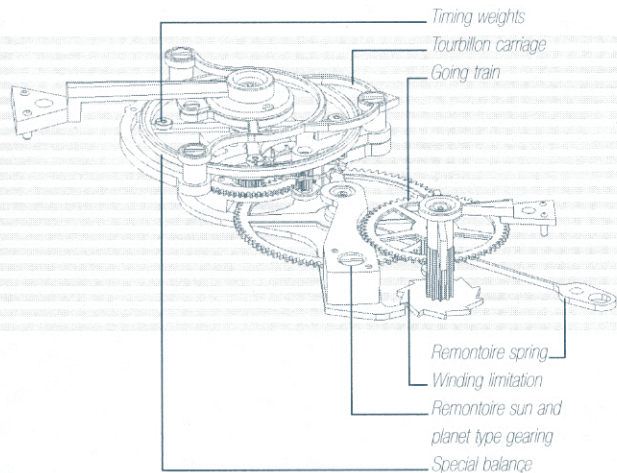
*The only wristwatch  
in the world with remontoire*



A unique design based  
on an exclusive mechanism

**F.P. JOURNE**  
Invenit et Fecit

*A unique design based on  
an exclusive mechanism  
F.P.JOURNE "Invenit et Fecit"*



*Tourbillon with remontoire  
(Patented system)*

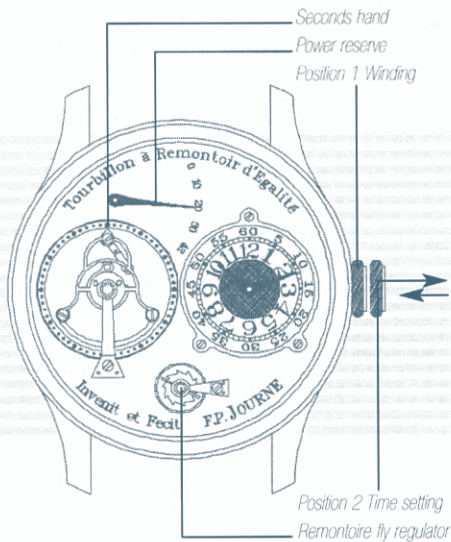
## Characteristics:

The **Tourbillon Souverain** has a special four-arm balance fitted with timing weights for fast/slow adjustment. It has been carefully timed in our workshops to beat with a frequency of 21 600 alt./hour. The concentric development of the spiral is given by a "Philips" type terminal curve.

*This careful adjustment is done exclusively in our workshops and should never be done by anyone else!*

## Remontoire mechanism:

The coaxially pivoted remontoire sun and planet gearing is controlled by the remontoire spring, itself rewound once every second by the main spring. The remontoire ensures the isochronism of the Tourbillon escapement for 42 hours.



The eccentric engine-turned silver dial within a polished steel frame, is screwed\* on the solid 18k gold dial plate.  
Patented system

## 1. Winding

Turn the crown until it can turn no further.

The **Tourbillon Souverain** has a power reserve of 42 hours. During this time, the remontoire mechanism supplies constant force to the Tourbillon escapement. The **Tourbillon Souverain** may nevertheless continue working longer than 42 hours.

As in antique marine chronometers, the power reserve indicator shows the number of hours elapsed since the watch was last wound.

## 2. Time setting

- Pull the crown out one notch and turn it to move the hands forwards.
- It is strongly recommended not to turn the hands backwards.

## Maintenance:

Your wristwatch should be thoroughly cleaned once every three years!

### Important:

Keep carefully the original warranty card supplied with the wristwatch. Your retailers will need this identity card for any after sales servicing.

For all maintenance or repair, your wristwatch must be entrusted to an appointed **F.P.JOURNE "Invenit et Fecit"** agent.

## Guarantee:

Your **F.P.JOURNE "Invenit et Fecit"** wristwatch is guaranteed against any manufacturing defects for a period of 12 months from the date of purchase written on the back of the warranty card.

This guarantee is only valid on presentation of the original warranty card, duly completed by the retailer (serial number, purchase date, retailer's stamp).

The guarantee does not include defects or wear resulting from abnormal use of the product or bad treatment (accidents, shocks, modifications...).