

Intellec[®]

PROMPT

48[™]

Reference
Schematic
Drawings

© Intel Corporation, 1977

intel[®]

Printed in U.S.A. S-162/0577/2K

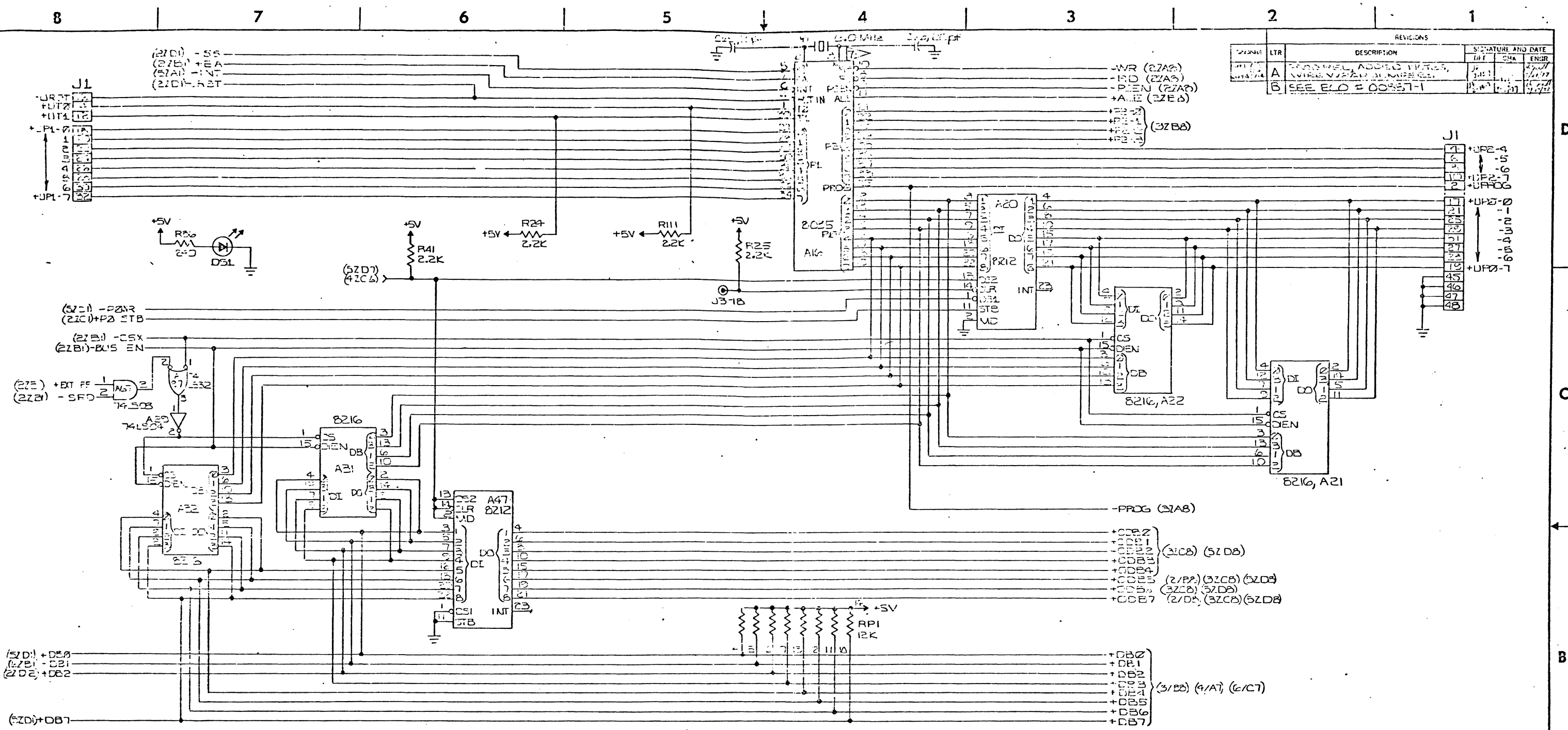
98-296A

INTELLEC PROMPT™ 48 REFERENCE SCHEMATIC DRAWINGS

TABLE OF CONTENTS

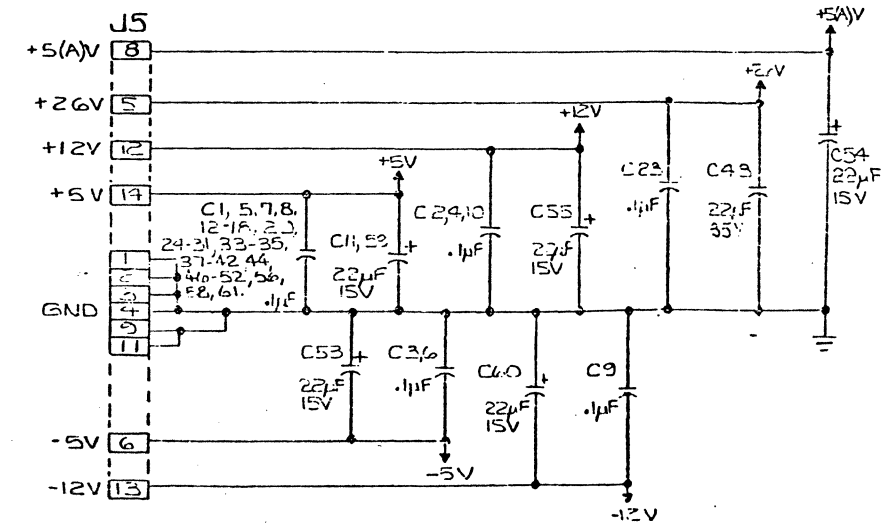
2001013	SCHEMATIC KEYBOARD DISPLAY
1001011	PWA KEYBOARD DISPLAY
2001210	PIGGYBACK SCHEMATIC
1001208	PIGGYBACK PRINTED WIRING ASSEMBLY
4000728	HARNESS ASSY A.C. POWER
4500725	POWER SUPPLY
2000960	POWER ONE POWER SUPPLY SCHEMATIC
2001041	XENITEK POWER SUPPLY SCHEMATIC
4001009	FRONT PANEL ASSEMBLY
4001016	HARNESS, D.C. POWER
2001102	WIRING DIAGRAM, AC/DC POWER
4001008	ASSEMBLY MAIN FRAME
4001124	CABLE ASSY USER INTERFACE

*Prompt 48 Engr
Paul Rosenfeld
987-7248*



REVISIONS			
NO.	DATE	DESCRIPTION	SIGNATURE AND DATE
A		REWORKED, ADDED VPP2, VPP3, VPP4, VPP5, VPP6, VPP7	J. J. J. 1/1/77
B		SEE ELO # 009571	J. J. J. 1/1/77

- NOTES: UNLESS OTHERWISE SPECIFIED,
1. ALL RESISTANCE VALUES ARE IN OHMS, ±5%, 1/4W.
 2. ALL CAPACITANCE VALUES ARE IN UF, UFF, PF.
 3. ALL TRANSISTORS ARE 2N3644.
 4. ALL DIODES ARE IN4148.
 5. THIS DOCUMENT REFLECTS ARTWORK NO. 1001012, REV A.
- SEE PWA. NO. 1001011 FOR REFERENCE.
- PWA 1001011-01 AND -02 USE 6.0 MHZ CRYSTAL. PWA 1001011-03 AND -04 USE 3.0 MHZ CRYSTAL.



REF DESIGNATIONS	PART USED	NOT USED	SOURCE				GATES				VOLTAGE & GND SUPPLY			
			TYPE	REF DESIG	QTY	ANGLE	TYPE	REF DESIG	QTY	TYPE	-5V	15V	+12V	GND
A22	8216		8216	A22	1			15V	15V	24	12			
C14	8212		8212	A21	1			15V	15V	24	12			
C27	8210		8210	A20	1			15V	15V	24	12			
C28	8210		8210	A20	4			15V	15V	24	12			
C34	8210		8210	A20	4			15V	15V	24	12			
R12	8210		8210	A20	4			15V	15V	24	12			
Y2	8210		8210	A20	1			15V	15V	24	12			
J5	8210		8210	A20	4			15V	15V	24	12			
R14	8210		8210	A20	4			15V	15V	24	12			
VR2	8210		8210	A20	2			15V	15V	24	12			
DES	8210		8210	A20	2			15V	15V	24	12			

SCALE: NONE	SIGNATURE	DATE	intel	3065 BOWERS AVE. SANTA CLARA CALIF. 95051
TOL: 2 PLG 3 PLG ANGLE	CHK BY	DATE	TITLE: SCHEMATIC	
MATERIAL:	APP'D	DATE	KEYBOARD DISPLAY	
FINISH:	AUTH BY	DATE	SIZE: D	DEPT: MCD
NEXT ASSY	USED ON	CODE: SHEET 1 OF 5	DRAWING NO.: 2001012	REV: B

8

7

6

5

4

3

2

1

(22D) - CTL RD
(17B) +3DB7
(32D) - DIS EN WR

(37C2) +246 MHz

(37C1) - CTR CY

(52D) +WR MEM

(17D3) +ALE

(37D1) -P0 RD

(52D1) +XTNL

(17C2) +17.66 MHz

(37C1) -XT WR

(17B3) +ODBS

(37C1) -CTL WR

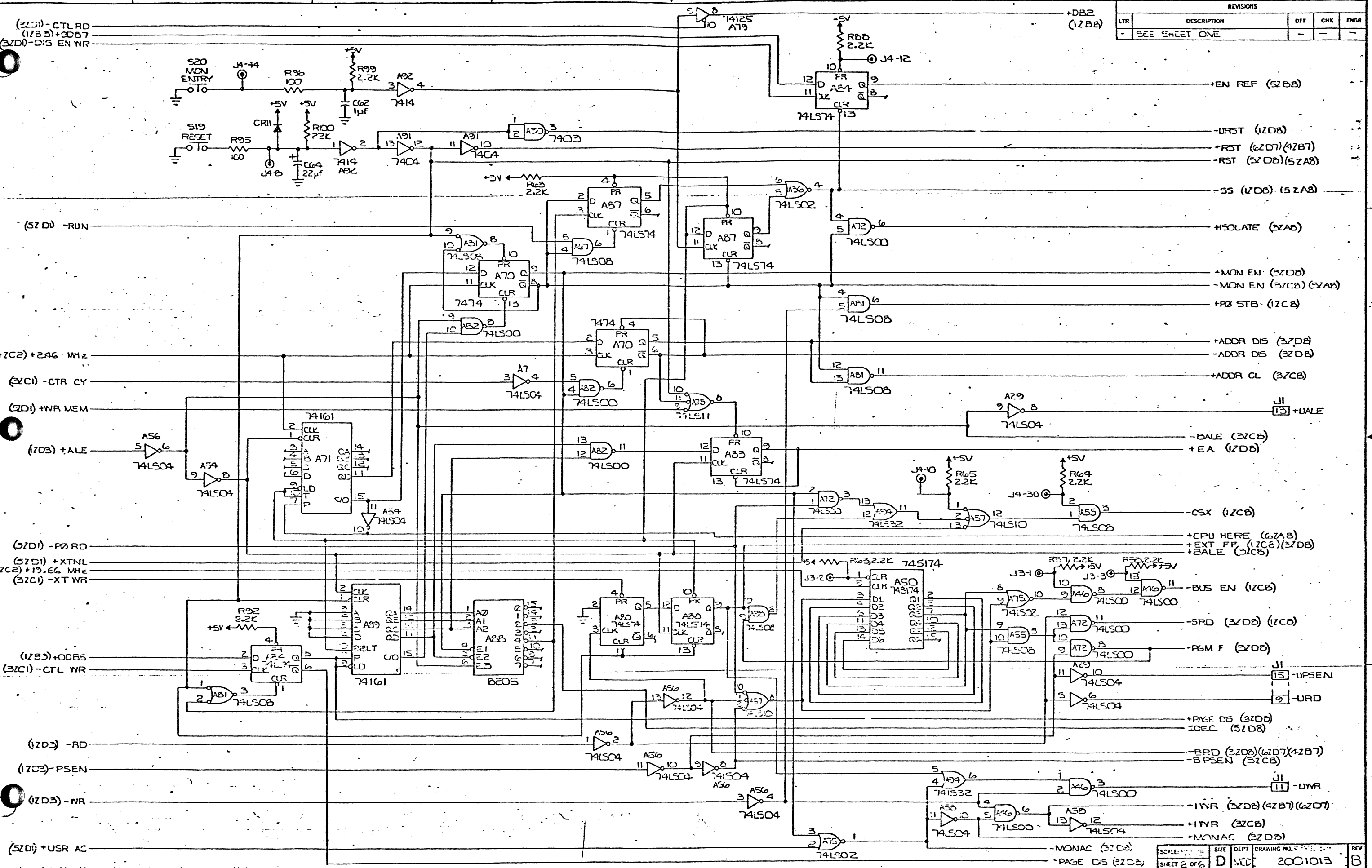
(17D3) -RD

(17C2) -PSEN

(17D3) -NR

(52D) +USR AC

REVISIONS				
LTR	DESCRIPTION	DFT	CHK	ENGR
-	SEE SHEET ONE	-	-	-



SCALE: 1:1	SIZE: D	DEPT: M/C	DRAWING NO.: 2001013	REV: B
SHEET 2 OF 6				

8

7

6

5

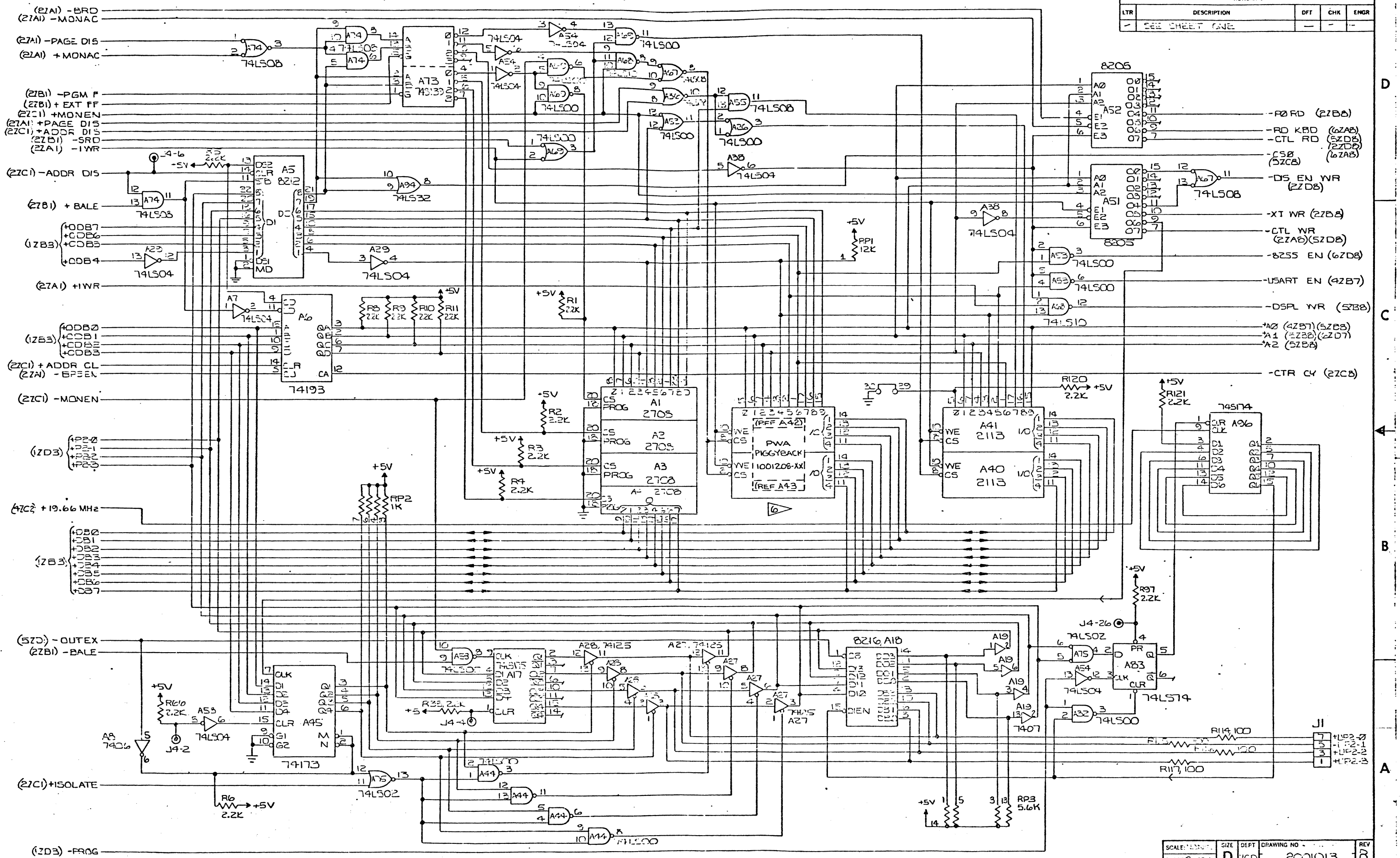
4

3

2

1

REVISIONS				
LTR	DESCRIPTION	DFT	CHK	ENGR
-	SEE SHEET PAGE	-	-	-



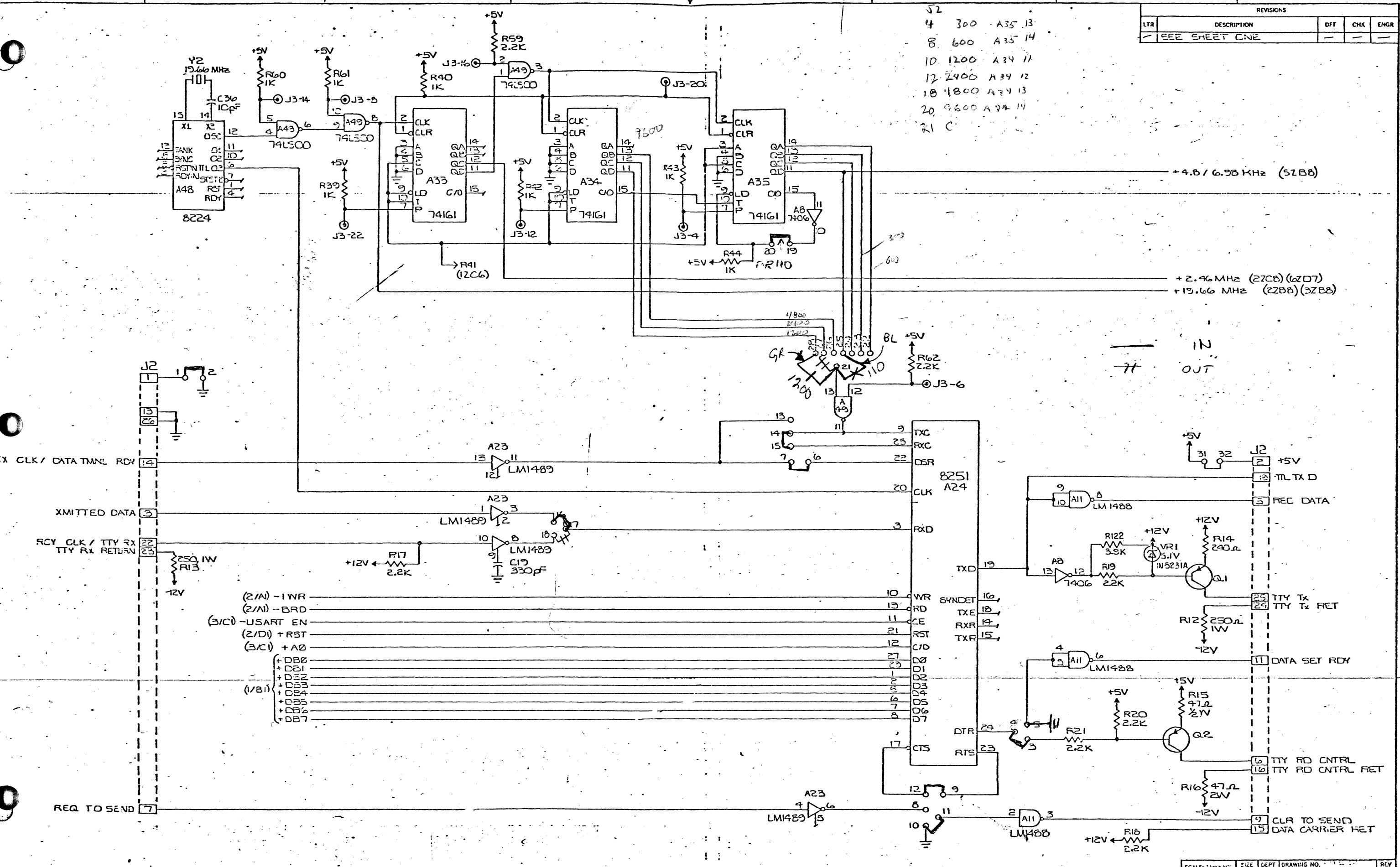
- (27A1) - BRD
- (27A1) - MONAC
- (27A1) - PAGE DIS
- (27A1) + MONAC
- (27B1) - PGM F
- (27B1) + EXT FF
- (27C1) + MONEN
- (27A1) + PAGE DIS
- (27C1) + ADDR DIS
- (27B1) - SRO
- (27A1) - IWR
- (27C1) - ADDR DIS
- (27B1) + BALE
- (17B3) +CDB7
- (17B3) +CDB6
- (17B3) +CDB5
- (17B3) +CDB4
- (27A1) + IWR
- (17B3) +CDB2
- (17B3) +CDB1
- (17B3) +CDB2
- (17B3) +CDB3
- (27C1) + ADDR CL
- (27A1) - BPS EN
- (27C1) - MONEN
- (17D3) +P2-0
- (17D3) +P2-1
- (17D3) +P2-2
- (17D3) +P2-3
- (17D3) +P2-4
- (17D3) +P2-5
- (17D3) +P2-6
- (17D3) +P2-7
- (77C2) + 19.66 MHz
- (57D) - OUTEX
- (27B1) - BALE
- (27C1) + ISOLATE
- (17D3) - PROG

- P0 RD (27B8)
- RD KBD (6ZAB)
- CTL RD (5ZDB)
- CSB (5ZCB)
- DS EN WR (2ZDB)
- XT WR (27B8)
- CTL WR (27AB)(5ZDB)
- 8255 EN (6ZDB)
- USART EN (4ZB7)
- DSPL WR (5ZBB)
- A0 (4ZB7)(5ZBB)
- A1 (2ZBB)(2ZD7)
- A2 (5ZBB)
- CTR CY (2ZCB)

1 GRD
2 +5V
3 RX DATA (IN)
4 300 BAUD
5 TX DATA (OUT)
6 TTY RDR CTRL LOOP
7 REQ TO SEND (NC)
8 600 BAUD
9 CLEAR TO SEND
10 1200 BAUD
11 DATA SET RDY
12 2400 BAUD
13 GRD
14 DATA SET RDY
15 DATA CHR DLT (+12)
16 TTY RDR CTRL LOOP
17 NC
18 4800 BAUD
19 TTL TX DATA
20 9600 BAUD
21 BAUD RATE COM
22 TTY RX LOOP
23 TTY RX LOOP
24 TTY TX LOOP
25 TTY TX LOOP
GRD

REVISIONS				
LTR	DESCRIPTION	DFT	CHK	ENGR
4	300 A35 13			
8	600 A35 14			
10	1200 A34 11			
12	2400 A34 12			
18	4800 A34 13			
20	9600 A34 14			
21	C			

52		
4	300	A35 13
8	600	A35 14
10	1200	A34 11
12	2400	A34 12
18	4800	A34 13
20	9600	A34 14
21	C	



TX CLK / DATA TMNL RCV 14

XMITTED DATA 3

RCV CLK / TTY RX
TTY RX RETURN 22

REQ TO SEND 7

(2/A) - IWR

(2/A) - BRD

(3/C) - USART EN

(2/D) +RST

(3/C) +A0

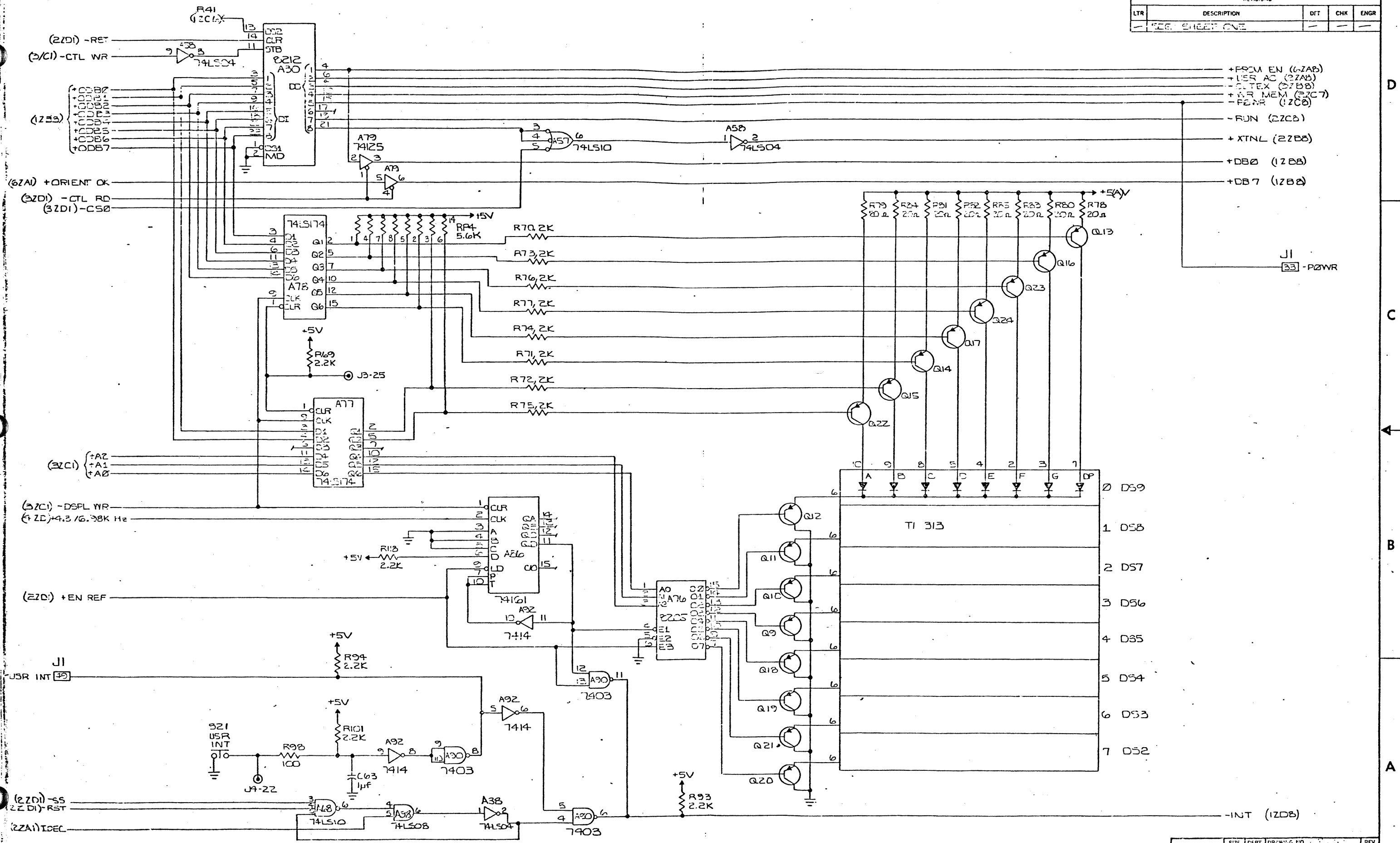
(V/B) {

- +DB0
- +DB1
- +DB2
- +DB3
- +DB4
- +DB5
- +DB6
- +DB7

IN

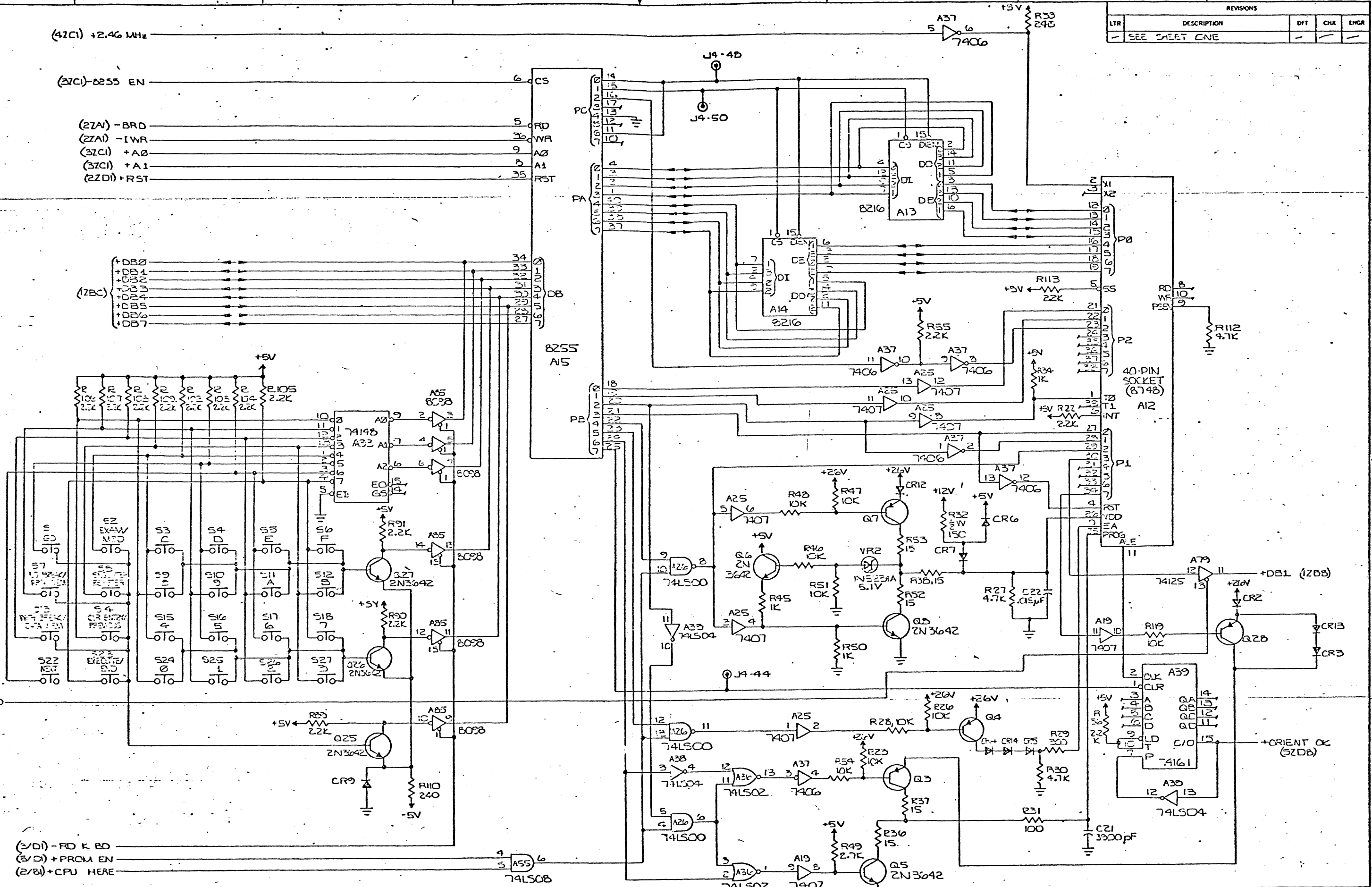
OUT

REVISIONS				
LTR	DESCRIPTION	DFT	CHK	ENGR
1	REV. SHEET ONE			



SCALE: 1/8"	SIZE: D	DEPT: WCC	DRAWING NO.: 3001013	REV: B
SHEET 5 OF 6				

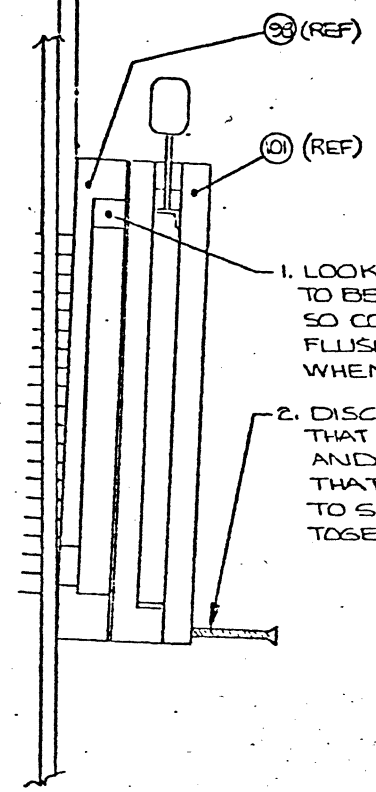
REVISIONS			
LTR	DESCRIPTION	DFT	CHK
-	SEE SHEET ONE	-	-



SCALE: 100%	SIZE: D	DEFT: N.C.	DRAWING NO.: 2001013	REV: B
SHEET: 6 OF 6				

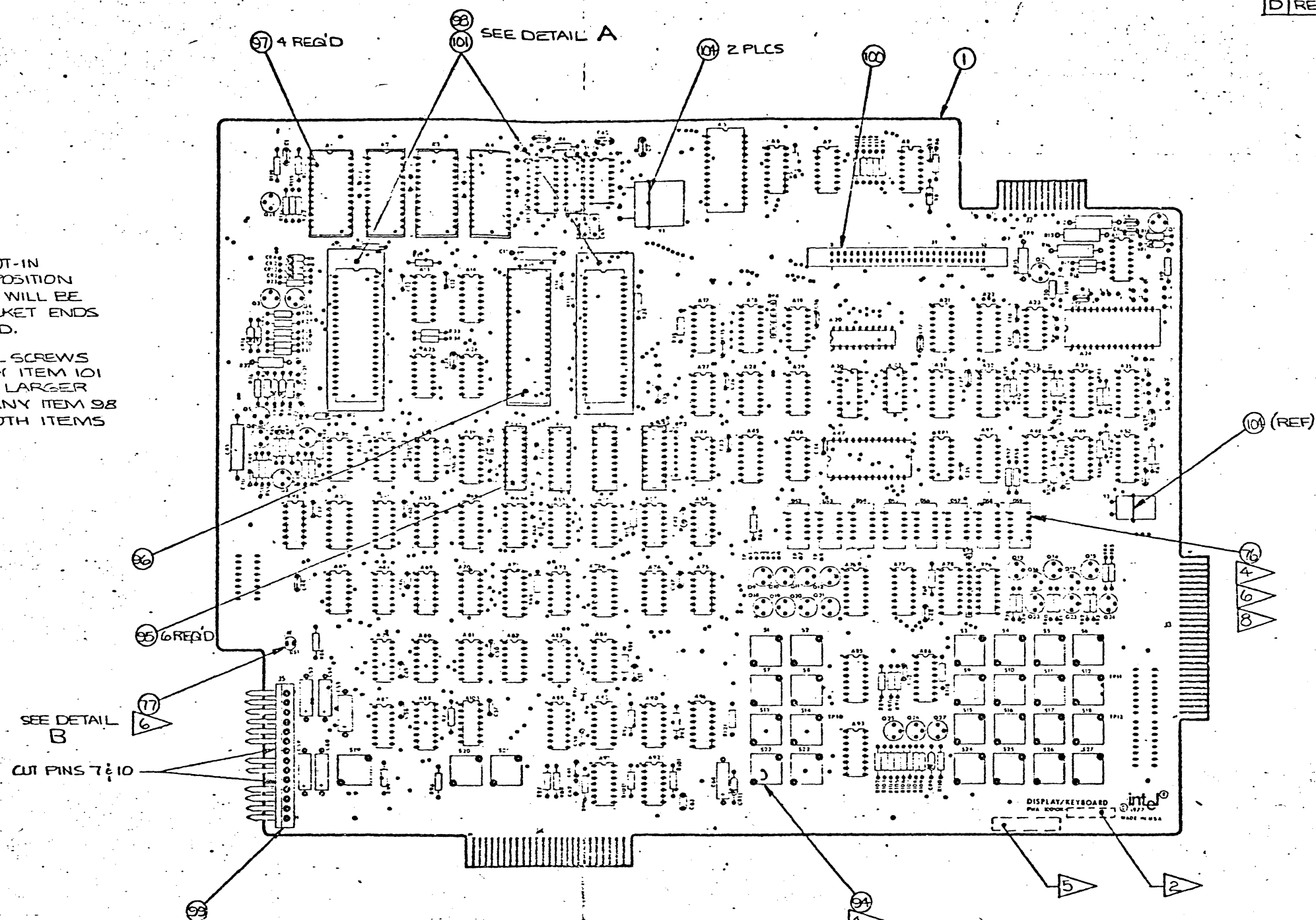
REVISIONS		SIGNATURE AND DATE
LTR	DESCRIPTION	BY
	FOR PREVIOUS REVS SEE HISTORY	
D	REDRAWN SEE ECC 0036-3	5/7/77

.100 SPACE



1. LOOK FOR THIS CUT-IN TO BE IN PIN 1 POSITION SO CONN. ENDS WILL BE FLUSH WITH SOCKET ENDS WHEN INSTALLED.
2. DISCARD SMALL SCREWS THAT ACCOMPANY ITEM 101 AND USE THE LARGER THAT ACCOMPANY ITEM 98 TO SECURE BOTH ITEMS TOGETHER.

DETAIL A (SCALE: 2/1)

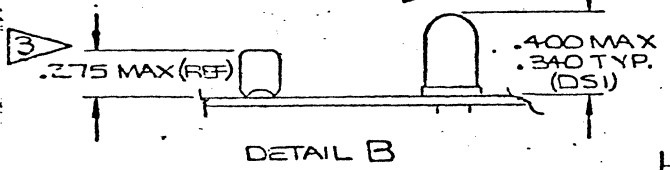


SEE DETAIL B
CUT PINS 7 & 10

NOTES: UNLESS OTHERWISE SPECIFIED,

1. ASSY NO IS 1001011-XX.
2. MARK DASH NO & REV LEVEL APPROXIMATELY IN POSITION SHOWN.
3. MAX HEIGHT FOR COMPONENTS (OTHER THAN CONNECTORS, LED'S, SOCKETS, SWITCHES, C65, C66, C43 AND Y1) TO BE .275.
4. THIS ASSY TO BE A 3-STAGE OPERATION
 - 1) WAVE SOLDER OTHER THAN ITEM 76 (7-SEG, L.E.D.), ITEM 94 (SWITCH SET) AND THEN CLEAN.
 - 2) HAND SOLDER ITEMS 76 & 94 IN PLACE AND CLEAN WITH ALCOHOL. DO NOT IMMERSE EITHER OF THESE ITEMS INTO A FLUID.
5. INK STAMP VENDOR CODE APPROXIMATELY WHERE SHOWN.

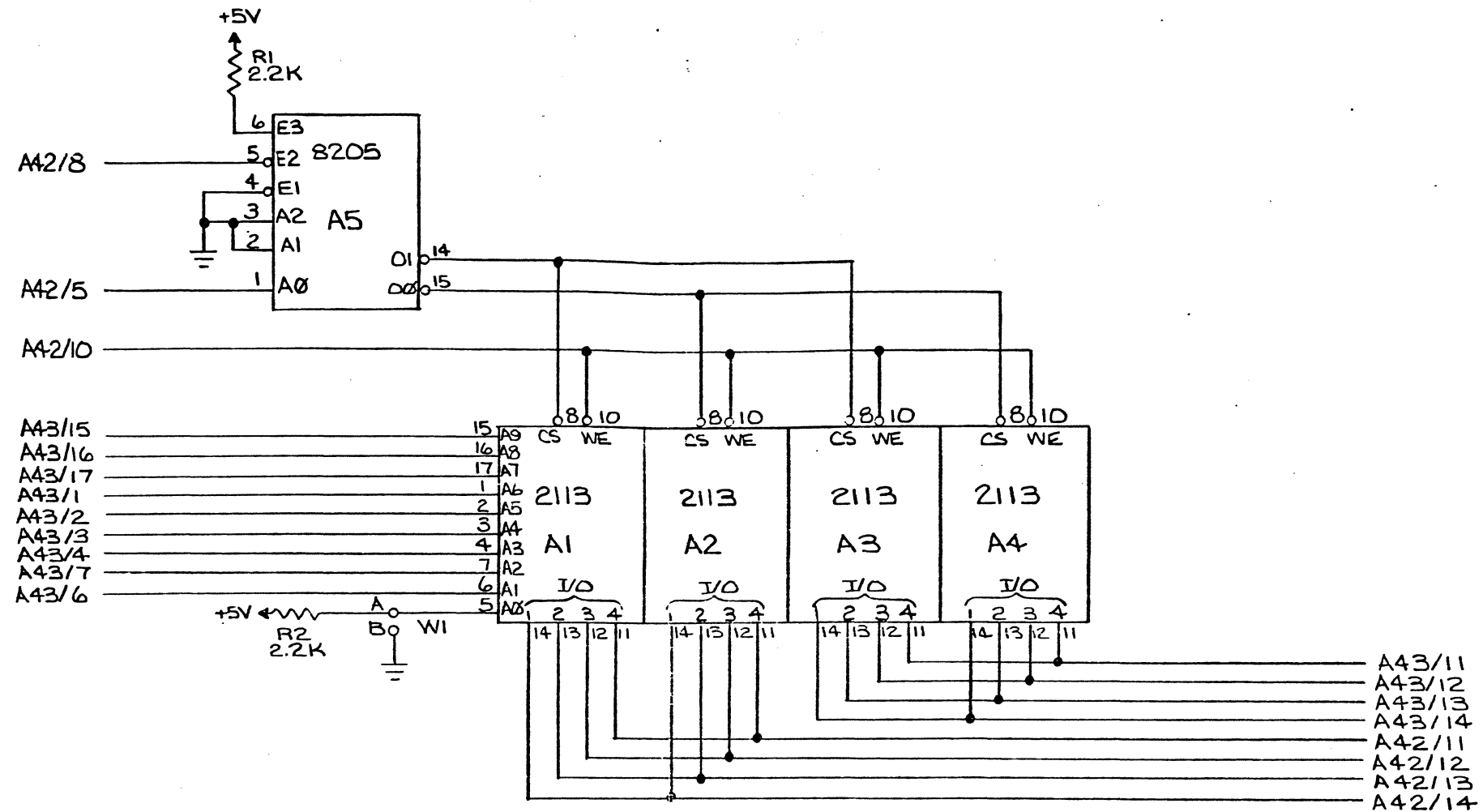
6. SWITCHES (ITEM 94), L.E.D. LAMP (ITEM 77), AND 7-SEG (ITEM 76) TO BE INSTALLED ALIGNED AND FLUSH ON THE BOARD.
7. ASSEMBLY MUST CONFORM TO MCD STD Q.A. WS 007.
8. CAUTION: BEFORE ASSY CHECK INDICATOR ITEM 76 FOR SAME BRIGHTNESS INTENSITY GRADE VALUE WHICH APPEARS ON PART.



DETAIL B

QUANTITY PER DASH NO.		ITEM NO.	PART NUMBER	DESCRIPTION
SCALE: 1:1	SIGNATURE		DATE	intel 3065 BOWERS AVE. SANTA CLARA CALIF. 95051
TOL. 2 PLC 3 PLC ANGLE	DRN BY	4/7/77		
MATERIAL: SEE PARTS LIST	CHK BY	L. FRESE 7/6/76		TITLE P.W.A. KEYBOARD DISPLAY
FINISH	DEF APPR	T. TOOKEY 11/16/76		SIZE DEPT DRAWING NO. REV
4001002 PROMPT 48	ENGR	R. ALLEN 11/16/76		D MCD 1001011 1 D
NEXT ASSY USED ON	AUTH BY	D. KUKUKLA 3/24/77		
	CODE:	SHEET 1 OF 1		

REVISIONS			SIGNATURE AND DATE		
CHG ZONE	LTR	DESCRIPTION	DFT	CHK	ENGR
/	A	PRODUCTION REL			

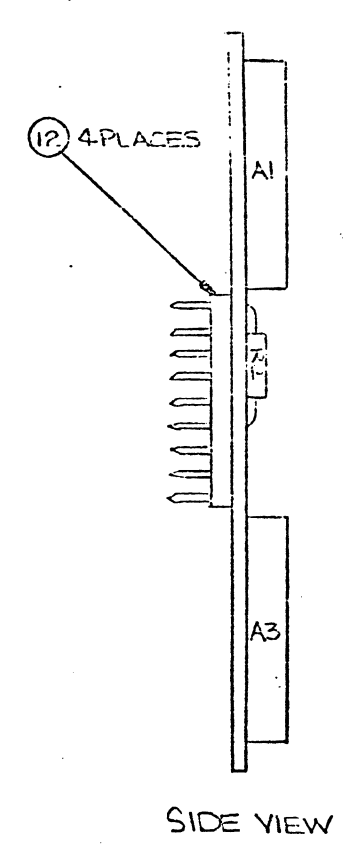
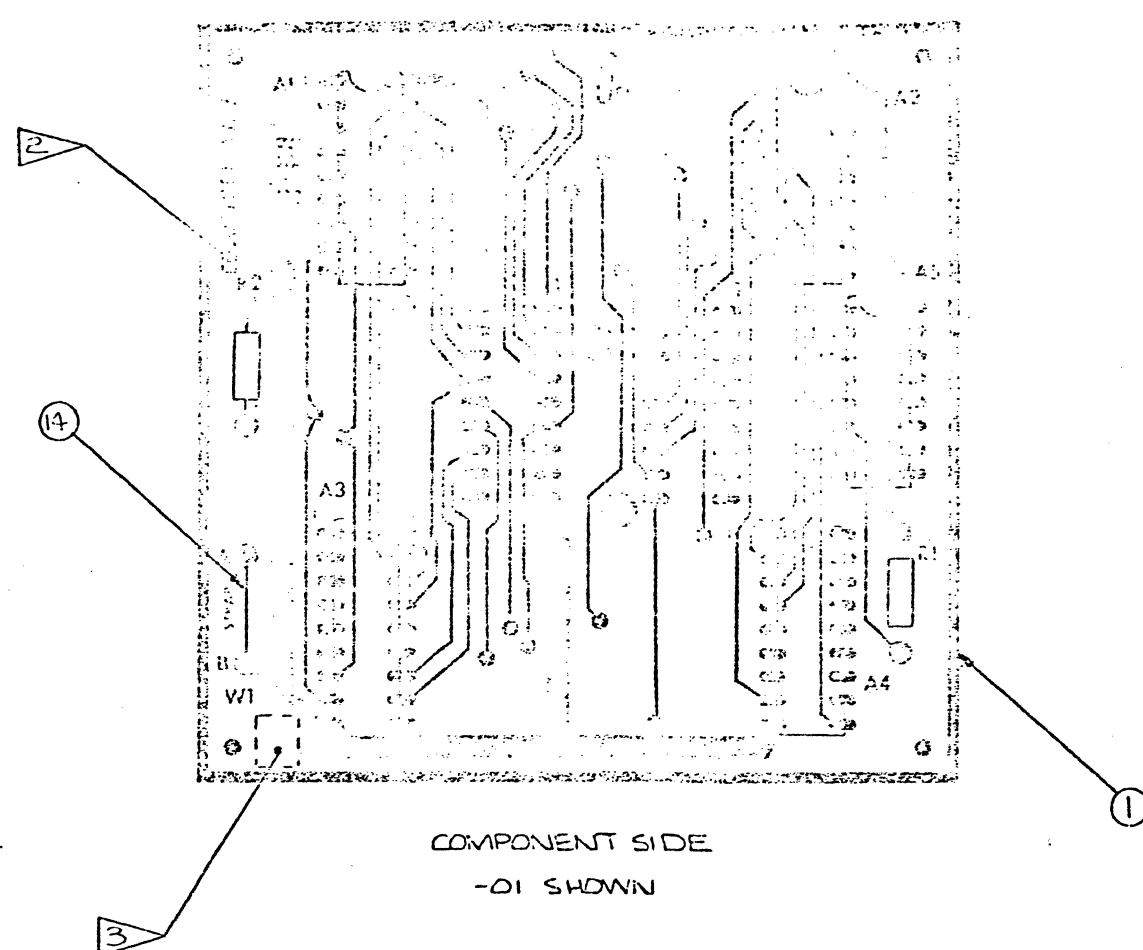


NOTES: UNLESS OTHERWISE SPECIFIED

1. THIS DOCUMENT REFLECTS ARTWORK 1001209, REV. A.

2. RESISTOR VALUES ARE IN OHMS, 1/4W, ±5%.

ITEM NO.	PART NUMBER	DESCRIPTION
QUANTITY PER DASH NO.		
SCALE: NONE		
TOL ±	2 PLC	3 PLC ANGLE
SIGNATURE		
DRN BY: <i>[Signature]</i>		DATE: 2/27/77
CHK BY: <i>[Signature]</i>		DATE: 3/1/77
MATERIAL:		DFT APPD: <i>[Signature]</i> 3/2/77
		ENGR APPD: <i>[Signature]</i> 2/27/77
FINISH:		AUTH BY: <i>[Signature]</i> 2/27/77
CODE:		SHEET 1 OF 1
PARTS LIST		
intel 3065 BOWERS AVE. SANTA CLARA CALIF. 95051		
TITLE: SCHEMATIC, PIGGYBACK		
SIZE	DEPT	DRAWING NO.
C	MCD	2001210
REV		A



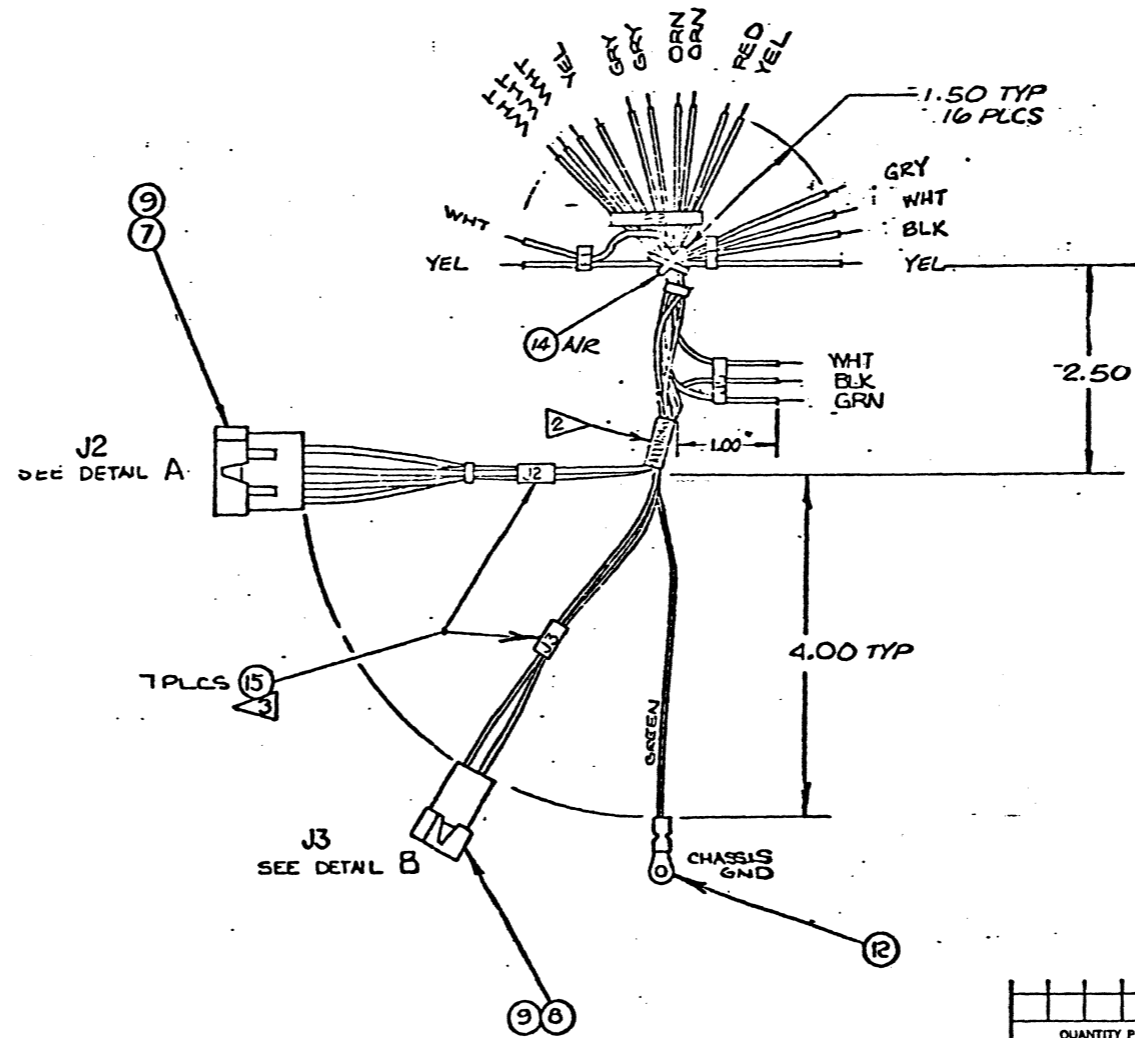
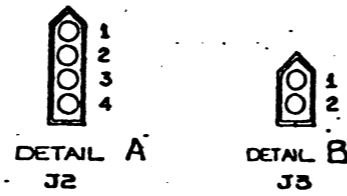
- NOTES: UNLESS OTHERWISE SPECIFIED,
 1. ASSY PART NO IS 1001208-XX.
 2 INK STAMP DASH NO APPROXIMATELY WHERE SHOWN.
 3 MARK VENDOR CODE APPROX. WHERE SHOWN.

QTY	REP	DATE	ITEM NO	PART NUMBER	DESCRIPTION
SCALE	2:1				3065 BOWERS AVE. SANTA CLARA CALIF. 95051
TOP	REF. 3-D ANGLE				PRINTED WIRING ASSY, PIGGYBACK
MATERIAL	SEE FL				LEFT: DRAWING NO. REV
FINISH					MSD 1001208 A

D
C
A
B
A

4 3 2 1

REVISIONS			
LTR	DESCRIPTION	SIGNATURE AND DATE	
		DFT	ENGR
A	PRODUCTION RELEASE		
B	SEE ECD 00713-1		
C	SEE ECD 00315-6		



NOTES:
UNLESS OTHERWISE SPECIFIED,
1. ASSY NO IS 4000728-01.
2. INK STAMP ASSY NO AND REV LEVEL ONTO (ITEM 15) LABEL TIE WRAP.
3. IDENTIFY TERMINATION GROUPS BY INK STAMPING ONTO LABEL TIE WRAPS AS SHOWN.
4. DIMENSIONS ARE IN INCHES.

QUANTITY PER DASH NO.		ITEM NO.	PART NUMBER	DESCRIPTION
SCALE:	1/1	SIGNATURE		DATE
TOL:	2 PLC .25	3 PLC	ANGLE	CRN BY E. W. [Signature]
MATERIAL:	SEE PARTS LIST	CHK BY [Signature]		DATE 6/4/66
4000317	FRONT 80	DFT APPD [Signature]		DATE 6/4/66
NEXT ASSY	USED ON	AUTH BY [Signature]		DATE 6/4/66
FINISH:		CODE:	SHEET 1 OF 1	SIZE DEPT DRAWING NO. REV
		D	410	9000728 C

Intel
3055 BOWERS AVE.
SANTA CLARA
CALIF. 95058

TITLE
HARNASS ASSY
A.C. POWER

REVISIONS				
LTR	DESCRIPTION	SIGNATURE AND DATE		
		DES	CHK	ENGR
A	PRODUCTION REL			
E	SEE ECO#00700-1			
C	SEE ECO#00815-2			

ELECTRICAL SPECS:

INPUT: 115 OR 230 VAC, ±10%, 47-63 Hz.
 PRIMARY WINDINGS OF THE TRANSFORMER MUST BE ABLE TO ACCOMMODATE A 115V 20 WATT FAN WHEN THE WINDINGS ARE CONNECTED IN SERIES AND THE FAN IS CONNECTED IN PARALLEL WITH ONLY ONE OF THE WINDINGS. I_{AC} ≤ 1.0 AMP @ 125V.

- OUTPUT:
- 1) +5V 6A WITH FIXED OVP AT 6.4V ± 5%
 - 2) +12V, 1.2A
 - 3) -12V, 300 mA
 - 4) -5V, 300 mA
 - 5) +26.5V 100 mA

LINE AND LOAD REGULATION: 0.1% ON OUTPUT 1, AND 2; 1% ON OUTPUTS 3, 4, AND 5

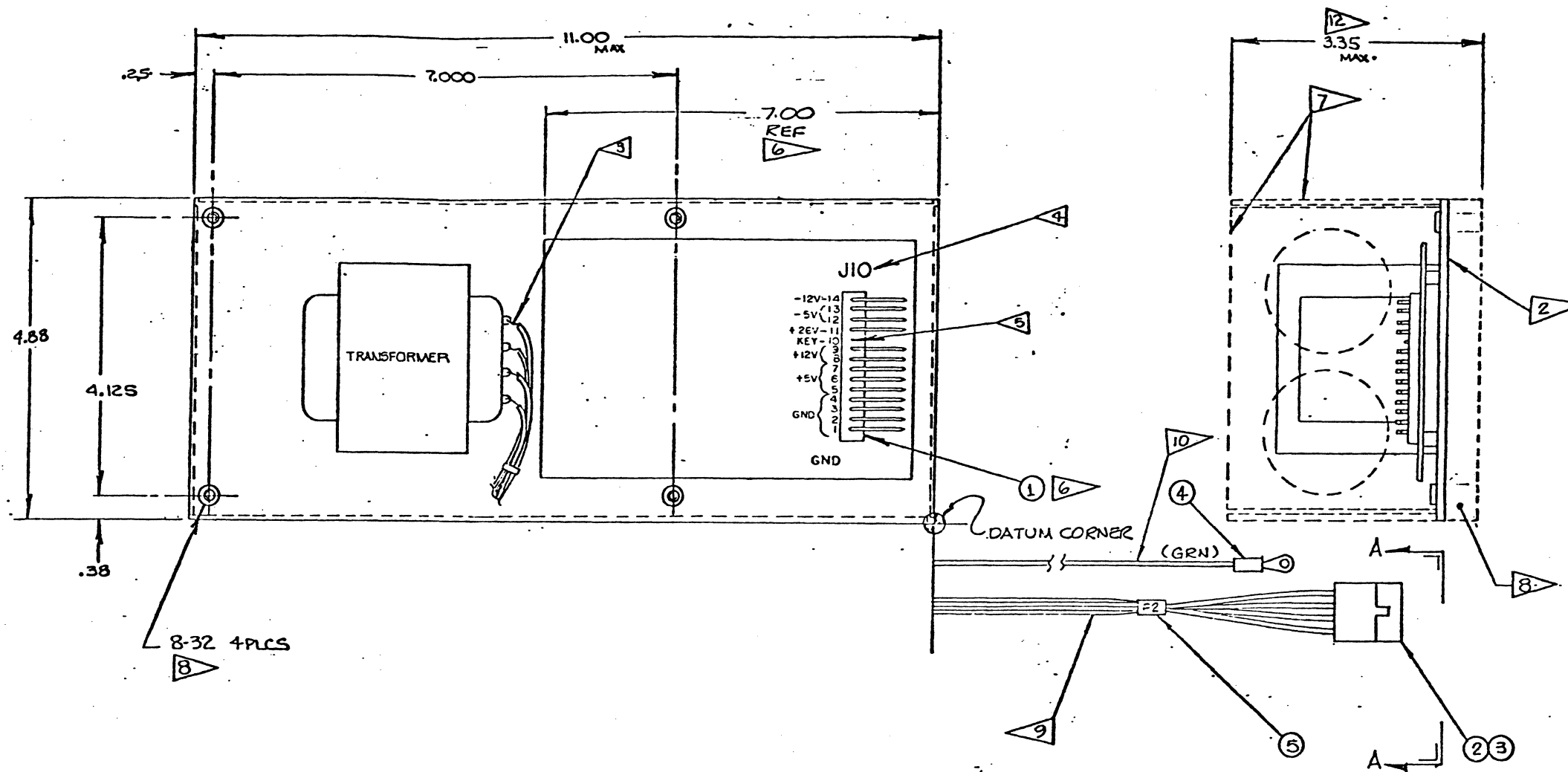
RIPPLE: 50 MV PEAK TO PEAK ON ALL OUTPUTS

CURRENT LIMIT: 110% TO 125% OF RATED CURRENT ON OUTPUT 1 AND 2.

ADJUSTMENT RANGE: ±5% OF NOMINAL VOLTAGE ON OUTPUT 1 AND 2.

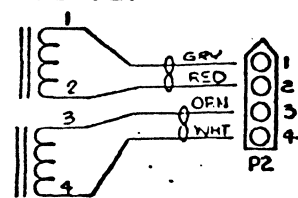
VOLTAGE VARIATION RANGE:
 ±5% ON OUTPUTS 3 AND 4.
 ±0.5 VOLT ON OUTPUT 5, IF ADJUSTABLE SET, TO 26.5 VOLT, THEN SEAL ADJUSTMENT.

OPERATING TEMP: 0° TO 55° AMBIENT



- NOTES:
 UNLESS OTHERWISE SPECIFIED,
 LASSY NO IS 4500725-01
1. INK STAMP ASSY NO, REV LEVEL AND VENDOR CODE APPROX W-ERE SHOWN. ALL VENDOR LABELS/LOGOS MUST BE PLACED ON THIS SURFACE (BOTTOM)
 2. INSULATE EXPOSED TERMINALS
 3. INDICATE REF DESIG 'J10' NEAR CONNECTOR (ITEM 1) APPROX. AS SHOWN.
 4. REMOVE PIN # 10.
 5. LOCAT ON OF CONNECTOR (ITEM 1) OPTIONAL TO VENDOR WITHIN AREA INDICATED (7.00 x 4.88 x 3.25).
 6. VENTED SIDES ARE OPTIONAL.
 7. STANDOFFS ARE REQ'D IN LIEU OF PEM NUTS WHEN ANY COMPONENTS PROTRUDE BELOW THE POWER SUPPLY CHASSIS.
 8. AC INPUT HARNESS TO BE 6.00" LONG FROM THE DATUM CORNER AS INDICATED.
 9. 18 AWG CHASSIS GND WIRE TO BE 8.00" LONG FROM THE DATUM CORNER AS INDICATED.
- II. FOR REQUIREMENT SEE LV 4500725.
10. THIS DIMENSION WILL INCLUDE SPACER HEIGHT.

TRANSFORMER



VIEW A-A

QTY	ITEM NO.	PART NUMBER	DESCRIPTION
1	5		CABLE TIE MARKER
1	4		TCM LUG #6-32
1	3		CONN, MOLEX 03-09-2042
4	2		PRJ, MOLEX 03-09-2118
1	1		CONN, MOLEX 03-75-1141

QUANTITY PER DASH NO.		PARTS LIST	
SCALE: NONE	SIGNATURE	DATE	TITLE
TOL: 2 PLC 3 PLC ANGLE	DRN BY		POWER SUPPLY
MATERIAL: 1/8THK ALUM	CHK BY		
FINISH: CLEAR ALODINE	AUTH BY		
CODE: NEXT ASSY USED ON	SHEET 1 OF 2	SIZE D 410	DRAWING NO. 4500725

D
C
B
A

KENTEK - SAN MATEO

PCB: B2779-POIB

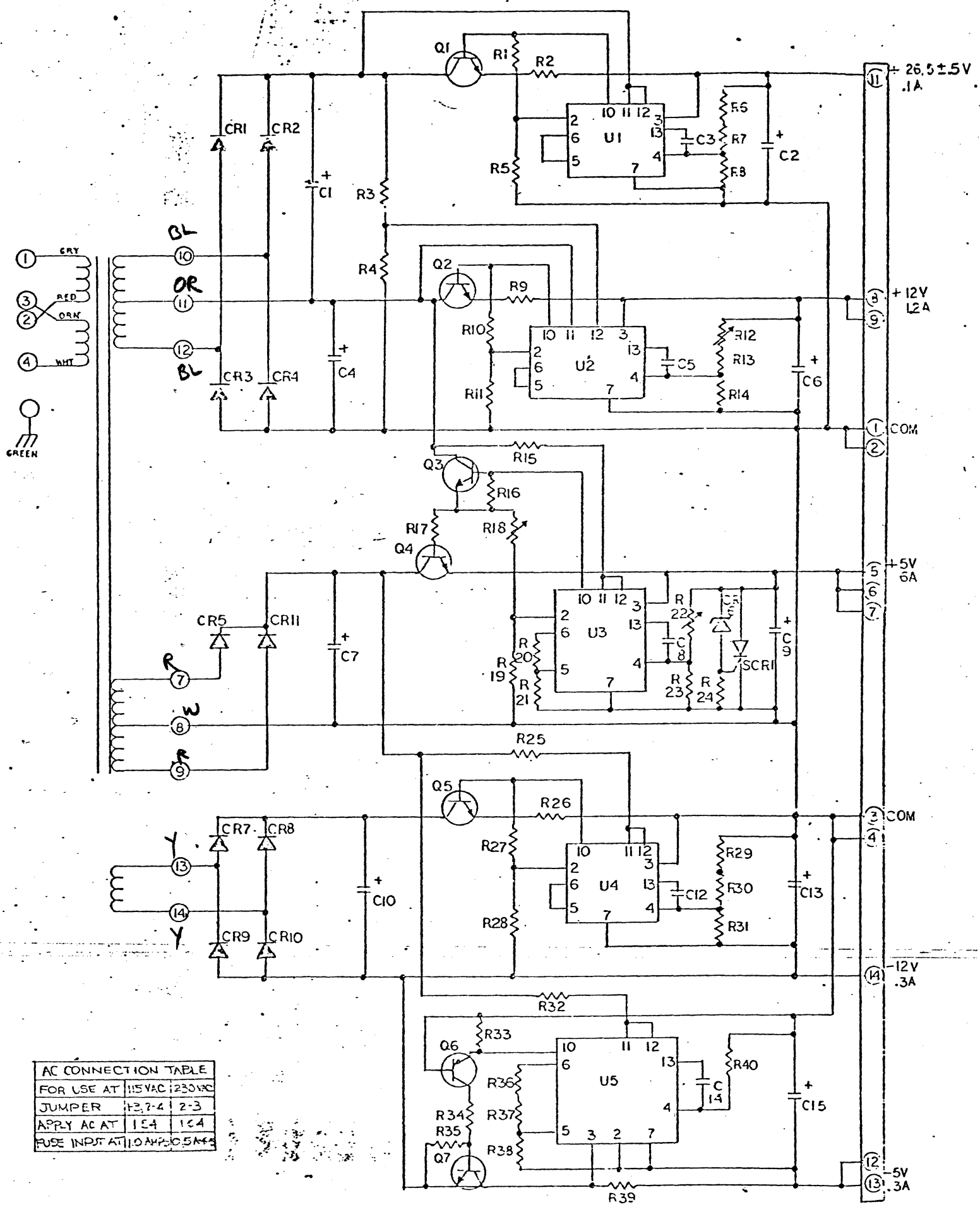
MODEL 2779A

DATE CODE 13-77

REVISIONS		SIGNATURE AND DATE	
LTR	DESCRIPTION	BY	CHK
A	PRODUCTION RELEASE		

RES DES	CP18!	DESCRIPTION
C1	330/55 or 470/25	CAPACITOR, ELECT
C2,6,13	100/35	
C4,10	2400/35	
C7	16000/15	
C9,15	220/16	ELECT
C3,5,12	.001/100	MYLAR
C8	.0033/100	
C14	.01/100	CAPACITOR, MYLAR
CR1,2,7,8,9,10	AE1C	DIODE, 1A, 200V
CR3,4	AE3F	3A, 100V
CR5,11	MR750	6A, 50V
CR6	1N752A	DIODE ZENER
SCR1	50503LS3	SCR, 2A
Q1,3	2N6551	TRANSISTOR, POWER NPN
Q2,7,5	12500-4	NPN
Q6	2N2907	TRANSISTOR, SIGNAL NPN
Q4	12505-2	TRANSFORMER
R1,3,16,25,37,39,33,37	270- Ω	RESISTOR, 1/2W, 5%, CF
R2,17	39- Ω	
R4,5,11,28	10K	
R6	510- Ω S.I.T.	
R7,14,23,19	2.2K	
R8,13,21,33,40	1K	
R10	750- Ω	
R15,32,34	47- Ω	
R20,31	750- Ω	
R24	47- Ω	
R29,35	270- Ω S.I.T.	
R39	15- Ω	1/2W, 5%, CF
R9,25	39- Ω	RESISTOR, 2% V.W. EWM
R12,18,22	1.5K	PC1. CTS 42-4
R27	330- Ω	RESISTOR, 1/2W, 5%, CF
U1,2,3,4,5	UA 723	IC VOLTAGE REGULATOR
P.C.B.	13287	PRINTED CIRCUIT BOARD
TI	13253	TRANSFORMER
CHASSIS	12439	CHASSIS
J1	# 09 65 1141	P.C.B. CONNECTOR MOLEX

THE INFORMATION AND DESIGN CONTAINED HEREIN ARE LICENSED TO INTEL FOR THE PURPOSE OF REPAIR AND MAINTENANCE ONLY. USERS OF THIS DOCUMENTATION MAY REPRODUCE IT AS REQUIRED ONLY FOR REPAIR AND MAINTENANCE. NO OTHER RIGHTS ARE GRANTED AND THE DESIGNS, CIRCUITS, AND TECHNIQUES AND ALL OTHER RIGHTS ARE RESERVED.



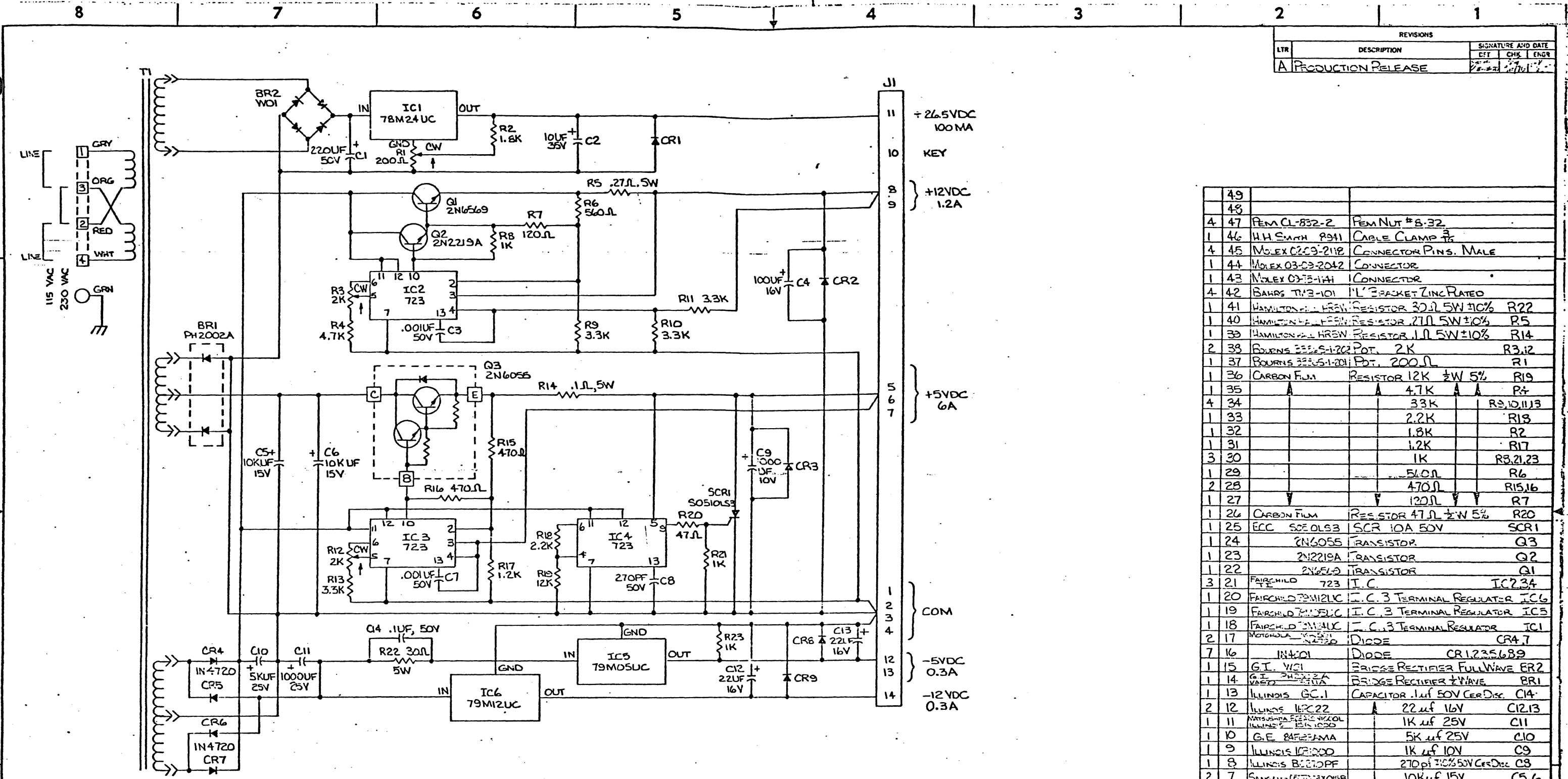
FOR USE AT	115VAC	230VAC
JUMPER	1-3, 7-4	2-3
APPLY AC AT	1-4	1-4
FUSE INPUT AT	10 AMP	0.5 AMP

QUANTITY PER DASH NO.	ITEM NO.	PART NUMBER	DESCRIPTION
SCALE: 1:1	SIGNATURE		DATE
TOL: 2 PLC 3 PLC ANGLE	DHN BY		
MATERIAL:	CHK BY		TITLE
FINISH:	DFT APPD		
	ENGR APPD		
	AUTH BY		SIZE DEPT. DRAWING NO.
	CODE: 1		SHEET 1 OF 1

3065 BOWERS AVE
SANTA CLARA
CALIF. 95051

SCHEMATIC
POWER SUPPLY VCAA

2000360



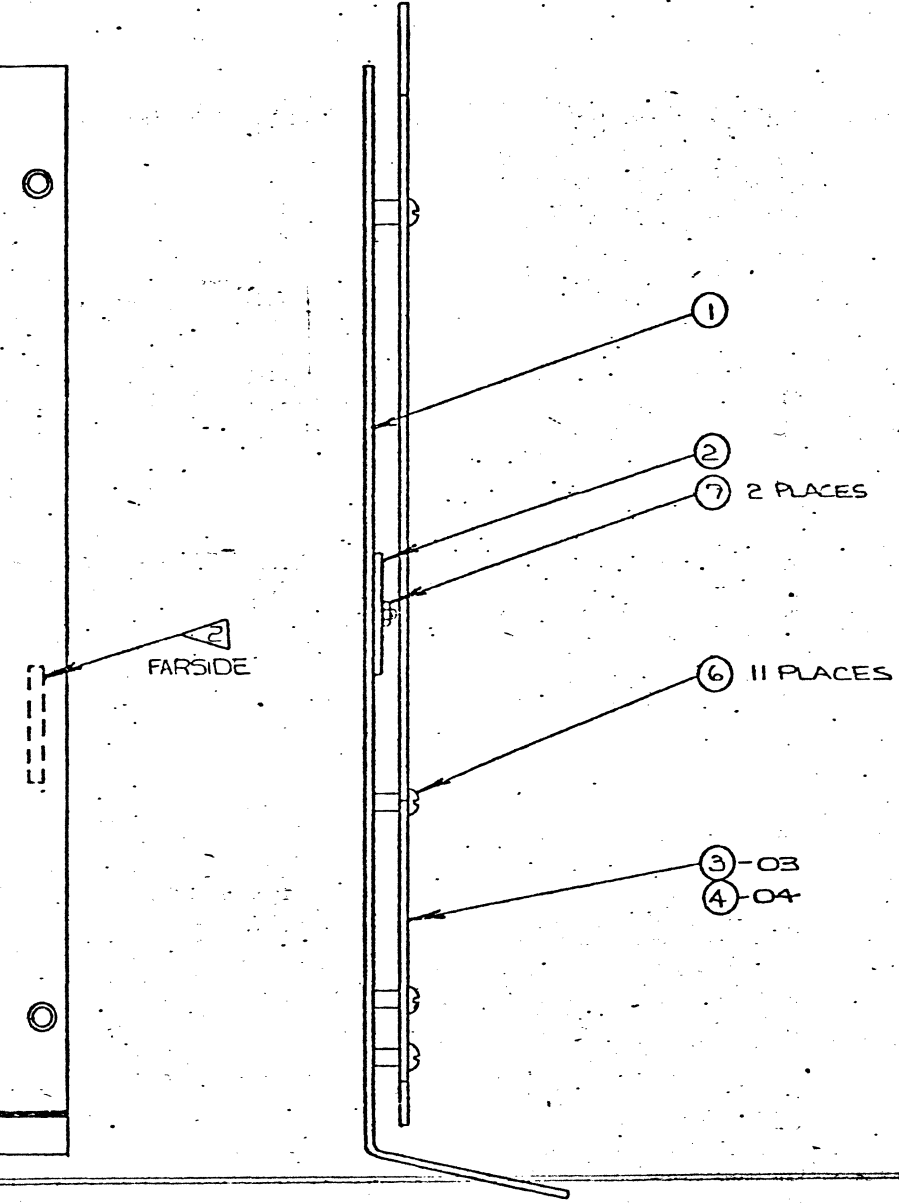
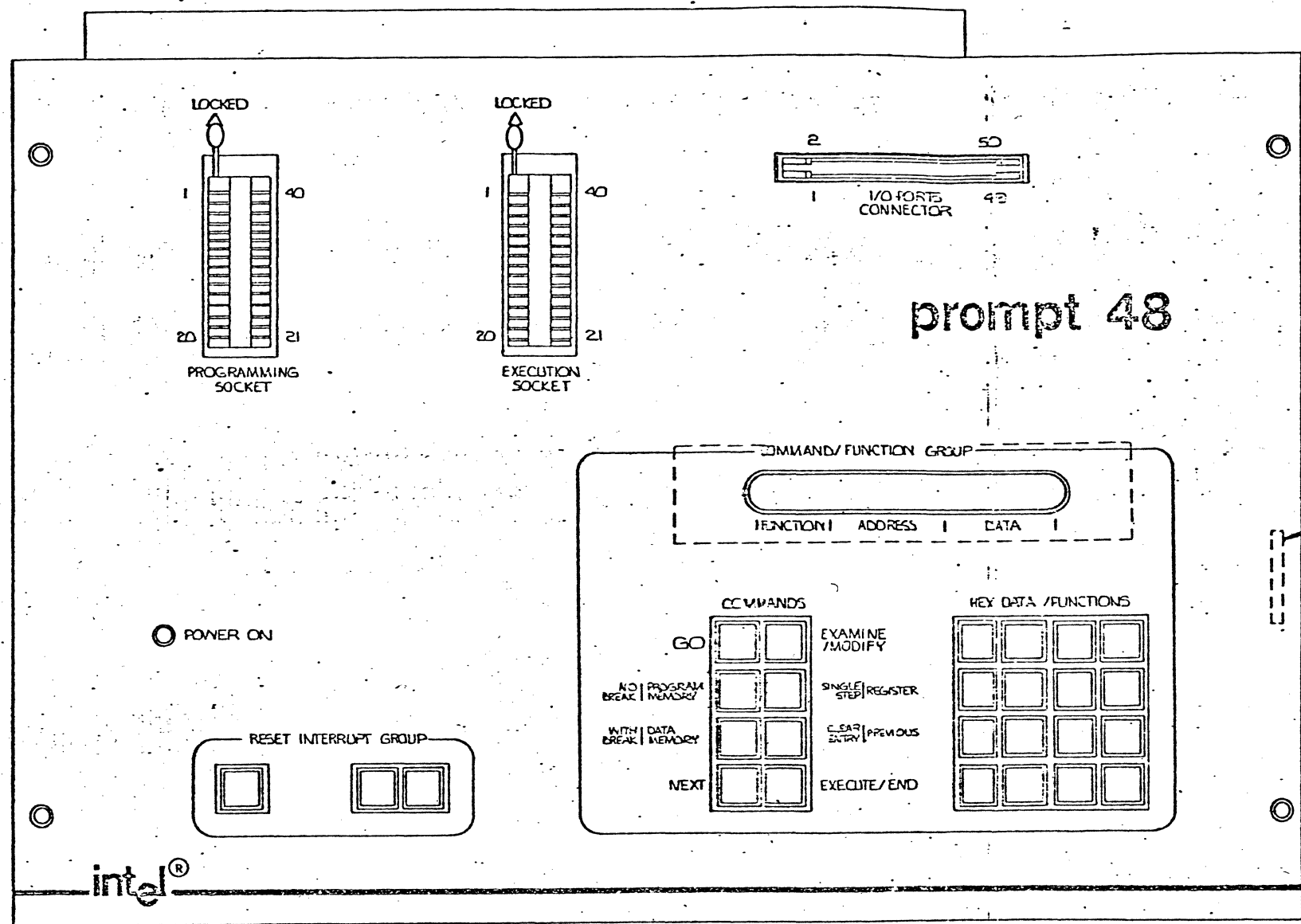
REVISIONS		
LTR	DESCRIPTION	SIGNATURE AND DATE
A	PRODUCTION RELEASE	

49		
48		
47	PEM CL-832-2	PEM NUT #8-32
46	H.H. SMITH 8941	CABLE CLAMP $\frac{3}{16}$
45	MOLEX 02-09-2112	CONNECTOR PINS, MALE
44	MOLEX 03-03-2042	CONNECTOR
43	MOLEX 03-13-1141	CONNECTOR
42	BAHRIS TH3-101	1/4 BRACKET ZINC RATED
41	HAMILTON HRSW RESISTOR	330 Ω 5W \pm 10% R22
40	HAMILTON HRSW RESISTOR	270 Ω 5W \pm 10% R5
39	HAMILTON HRSW RESISTOR	10 Ω 5W \pm 10% R14
38	BOURNS 2525-1-202	POT. 2K R3, R2
37	BOURNS 2525-1-201	POT. 200 Ω R1
36	CARBON FILM RESISTOR	12K $\frac{1}{2}$ W 5% R19
35		4.7K R4
34		33K R3, R10, R13
33		2.2K R18
32		1.8K R2
31		1.2K R17
30		1K R3, R1, R23
29		560 Ω R6
28		470 Ω R15, R16
27		120 Ω R7
26	CARBON FILM RESISTOR	47 Ω $\frac{1}{2}$ W 5% R20
25	ECC S050LS3	SCR 10A 50V SCR1
24	2N6055	TRANSISTOR Q3
23	2N2219A	TRANSISTOR Q2
22	2N6569	TRANSISTOR Q1
21	FAIRCHILD 723	I.C. IC2, IC3, IC4
20	FAIRCHILD 78M12UC	I.C. 3 TERMINAL REGULATOR IC6
19	FAIRCHILD 78M24UC	I.C. 3 TERMINAL REGULATOR IC1
18	FAIRCHILD 78M05UC	I.C. 3 TERMINAL REGULATOR IC5
17	MOTOROLA CR4.7	DIODE CR4, 7
16	IN4720	DIODE CR1, 2, 3, 5, 6, 8, 9
15	G.I. V81	BRIDGE RECTIFIER FULL WAVE ER2
14	G.I. PH2002A	BRIDGE RECTIFIER $\frac{1}{2}$ WAVE BR1
13	ILLINOIS GC-1	CAPACITOR .1 μ F 50V CER DISC C14
12	ILLINOIS 16FC22	22 μ F 16V C12, 13
11	MITSUBISHI 15B1000	1K μ F 25V C11
10	G.E. 84F22MA	5K μ F 25V C10
9	ILLINOIS 16FC100	1K μ F 10V C9
8	ILLINOIS B270PF	270 pF \pm 10% 50V CER DISC C8
7	SANGAMON 10K15B	10K μ F 15V C5, 6
6	ILLINOIS 16FC100	100 μ F 16V C4
5	SOLAR	.001 μ F 50V CER DISC C3, 7
4	ILLINOIS 10FC35	10 μ F 35V C2
3	ILLINOIS 50F20	CAPACITOR 220 μ F 50V C1
2	XENTEK AP25-101	TRANSFORMER T1
1	XENTEK C20-101	HEATSINK

NOTES: UNLESS OTHERWISE SPECIFIED:
 1. ALL RESISTORS ARE $\frac{1}{2}$ W, 5% CARBON FILM
 2. ALL DIODES ARE IN 4001.

QUANTITY PER DASH NO.		SIGNATURE		DATE		PARTS LIST	
TOL	SCALE: NONE	DRN BY				intel 3065 BOWERS AVE. SANTA CLARA CALIF. 95051	
PLC		CHK BY				TITLE: SCHEMATIC POWER SUPPLY (LOW END) V1C AB	
ANGLE		APP'D				SIZE DEPT DRAWING NO. 1/8 D 410 2001041	
MATERIAL:		AUTH BY				SHEET 1 OF 1	
FINISH:		CODE:				NEXT ASSY USED ON	

REVISIONS		
LTR	DESCRIPTION	SIGNATURE AND DATE
A	PROD REL ADDED -02	[Signature] 10/70
B	SEE ECD #00808-3	[Signature] 7/70
C	SEE ECD #00926-9	[Signature] 7/70



NOTES:
UNLESS OTHERWISE SPECIFIED

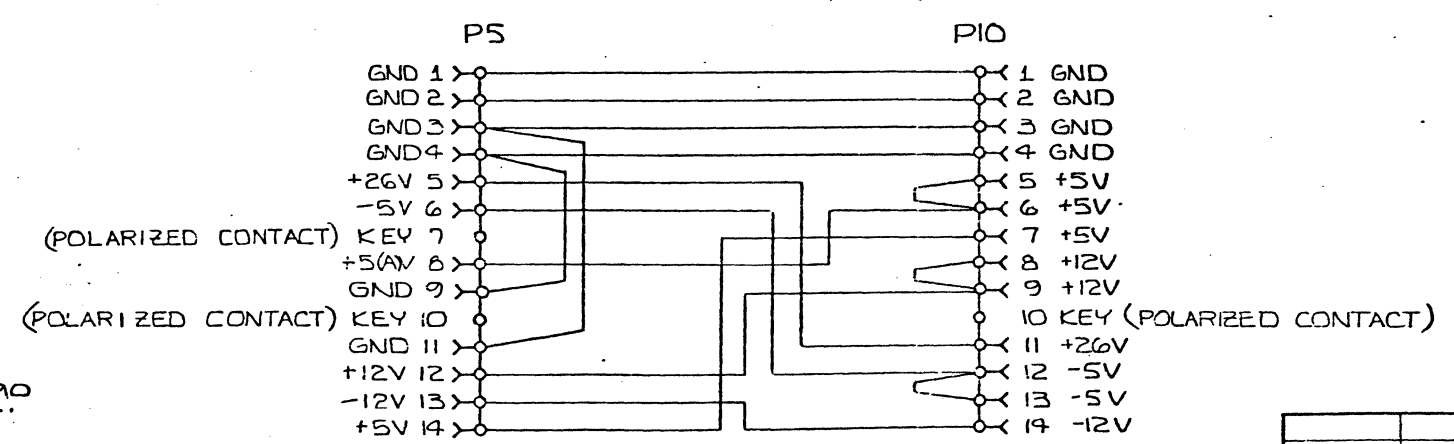
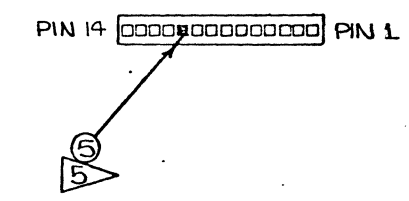
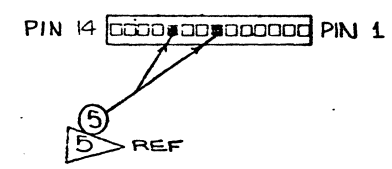
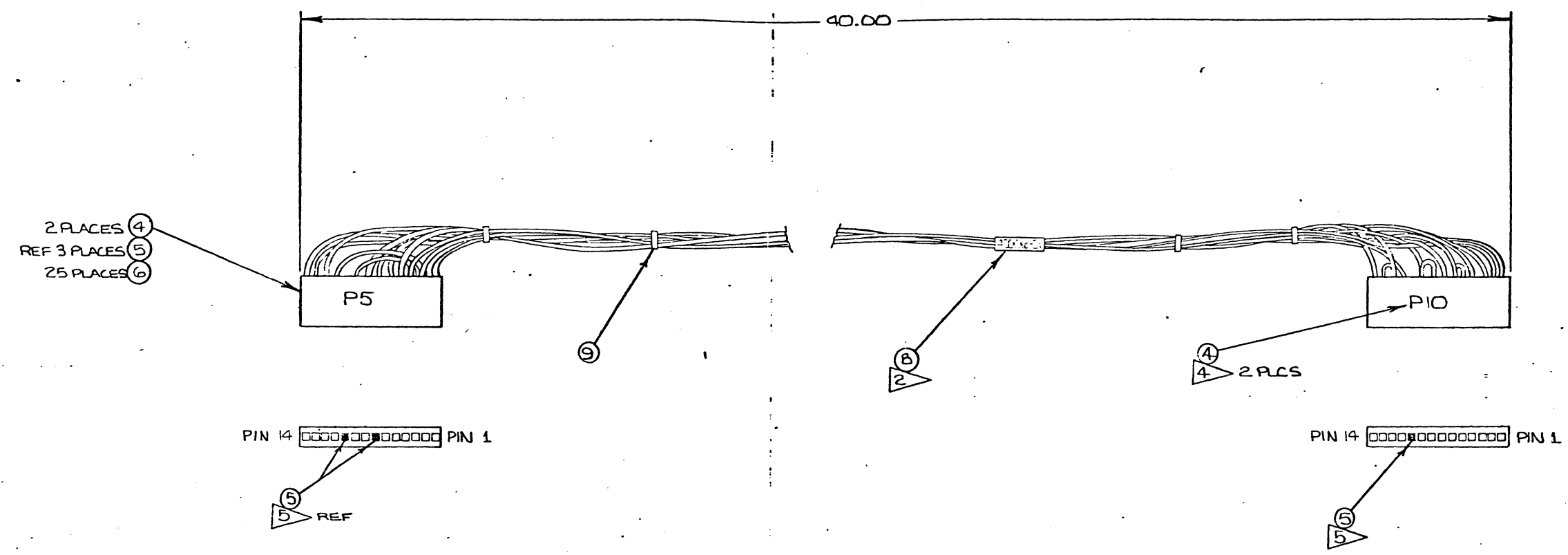
1. ASSY NO IS 4001009-XX.

2. INK STAMP ASSY NO AND REV LEVEL APPROX. WHERE SHOWN.

QUANTITY PER DASH NO.				ITEM NO.	PART NUMBER	DESCRIPTION
SCALE: 1:1				SIGNATURE		DATE
TOL. =				DRN BY	[Signature]	10/70
MATERIAL:				CHK BY	[Signature]	7/70
SEE PARTS LIST				DFT APPD	[Signature]	7/70
FINISH:				ENGR APPD	[Signature]	7/70
4001009 PROMPT 48				AUTH BY	[Signature]	7/70
NEXT ASSY USED ON				CODE:	SHEET 1 OF 1	

3065 BOWERS AVE.
 & INTEL 1870 SANTA CLARA CALIF. 95051
 TITLE: FRONT PANEL ASSY
 SIZE: D DEPT: MCD DRAWING NO: 4001009
 REV: C

REVISIONS				
LTR	DESCRIPTION	SIGNATURE AND DATE		
		DFT	CHK	ENGR
A	PRODUCTION RELEASE	J. 12-77		

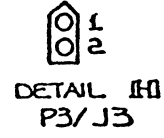
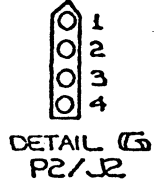
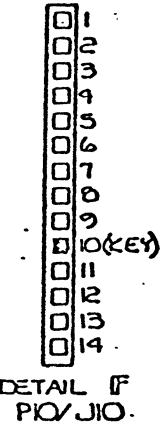
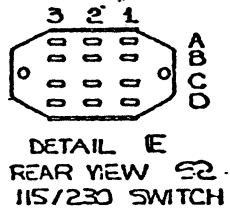
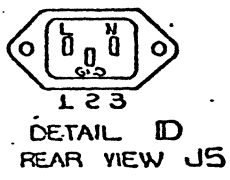
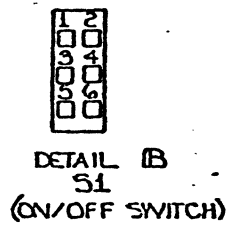
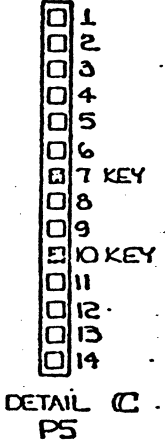
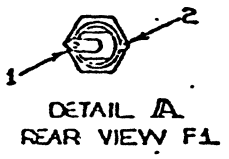
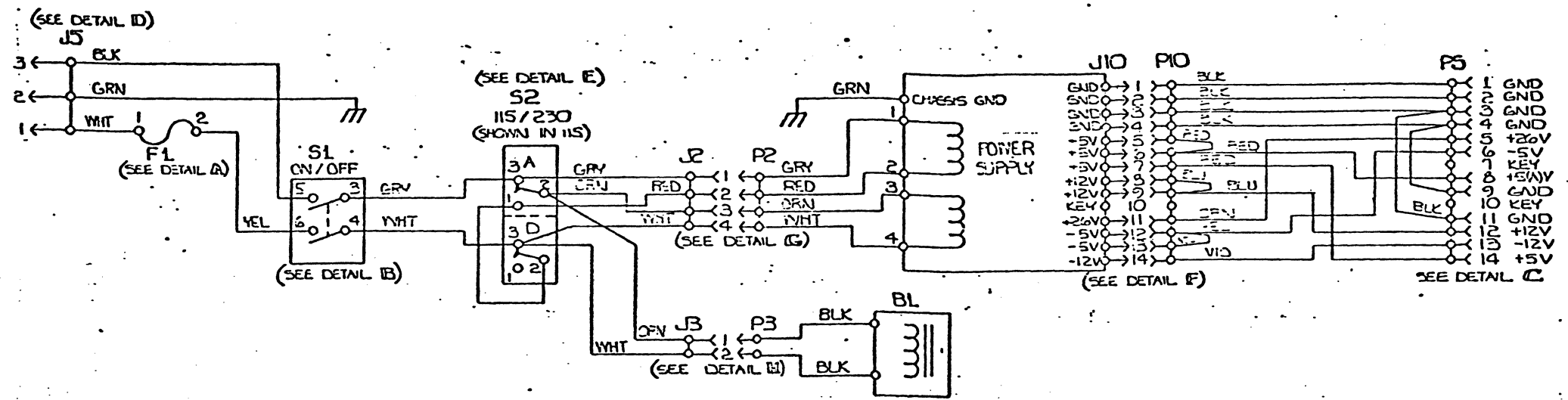


NOTES:
UNLESS OTHERWISE SPECIFIED,
1. ASSY PART NO IS 4001016-01
2. MARK ASSY PART NO AND REV. LEVEL ON THIS ITEM 8.
3. DIMENSION IS IN INCHES.
4. IDENTIFY CONNECTOR P5 AND P10 AS SHOWN USING CONTRASTING INK.
5. INDICATES POLARIZED CONTACTS, P5-PIN 7, 10 AND P10-P10.

QUANTITY PER DASH NO.		ITEM NO.	PART NUMBER	DESCRIPTION
SCALE: NONE		SIGNATURE		DATE
TOL	2 PLC	3 PLC	ANGLE	DRN BY
MATERIAL: SEE PARTS LIST		DFT APPD		ENGR APPD
FINISH:		AUTH BY		DATE
NEXT ASSY	USED ON	CODE:	SHEET 1 OF 1	REV

SIZE	DEPT	DRAWING NO.	REV
D	MCD	4001016	A

REVISIONS		
LTR	DESCRIPTION	DATE AND TIME
1	ENGR REL	5/22/52



- NOTES: UNLESS OTHERWISE SPECIFIED
1. "P" DESIGNATION INDICATES A MORE MOVABLE CONNECTOR.
 2. "J" DESIGNATION INDICATES A MORE FIXED CONNECTOR.

QUANTITY PER DASH NO.		ITEM NO.	PART NUMBER	DESCRIPTION
SCALE:		SIGNATURE		DATE
TOL #	2 P.C.	3 P.C.	ANGLE	DRN BY
MATERIAL:		LET APD		DATE
FINISH:		AUTH BY		DATE
NEXT ASSY	PK MPT 43	USED ON	CODE:	SHEET 1 OF 1
PARTS LIST			3025 BOWERS AVE. SANTA CLARA CALIF. 95051	
TITLE			WIRING DIAGRAM	
DESCRIPTION			A.C. / D.C. POWER	
SIZE	DEPT	DRAWING NO.		REV
D 410	E	2001102		1

REVISIONS			
REV	LTR	DESCRIPTION	SIGNATURE AND DATE
AS	AS		DET
AS	AS		ENGR
1	A	PROOFEEL ADDED, N/A ('03 + '04-	[Signature] [Date]

INSTALL GND WIRES AT BOTTOM SPACER ONLY

(15)
(19)

2 PLCS (12)

(4)

(A)

GND

J10

(7)

(17) 4 PLCS

(18) 4 PLCS

(6)

(B)

NOTES:
UNLESS OTHERWISE SPECIFIED,
1. ASSY PART NO. IS 4001008-XX.

(B) INK STAMP PART NO. AND REV LEVEL APPROX WHERE SHOWN.

(A) REMOVE ADHESIVE-BACK STICKERS FROM CHASSIS PRIOR TO ASSEMBLY OF BUMPER FEET.

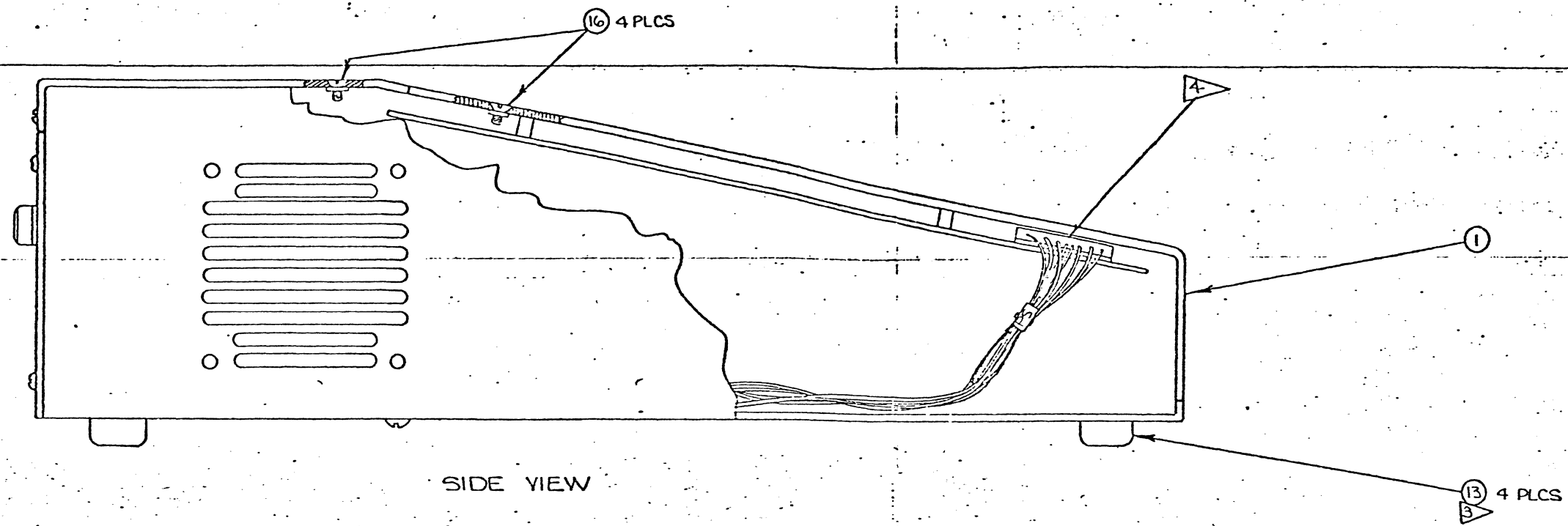
(A) PLUG CONNECTOR P5 INTO DISPLAY BOARD ON FRONT PANEL.

TOP VIEW
(TOP COVER & FRONT PANEL ASSY NOT SHOWN FOR CLARITY)

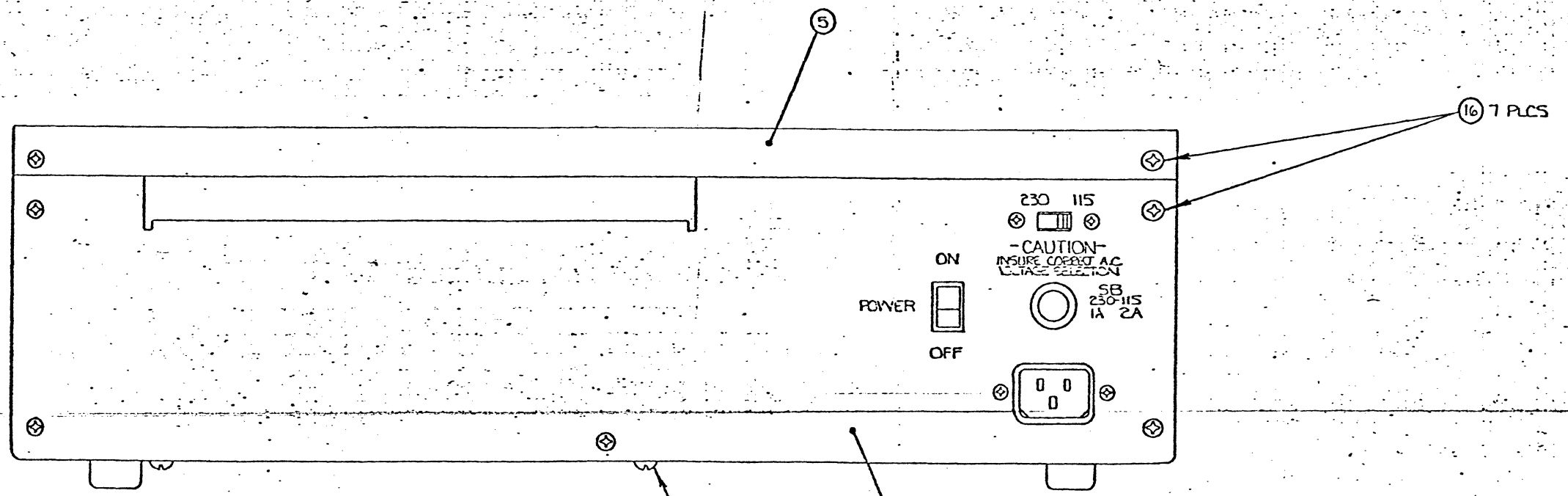
QUANTITY PER CASH NO.		ITEM NO.	PART NUMBER	DESCRIPTION
SCALE: 1:1	SIGNATURE		DATE	3555 BORDERS AVE. SANTA CLARA CALIF. 95051
TOL. 2 PLC 3 PLC ANGLE	CHK BY		DATE	
MATERIAL: SEE PARTS LIST		DFT APPD		TITLE ASSEMBLY MAIN FRAME
FINISH:		ENGR APPD		
NEXT ASSY USED ON		AUTH BY		SIZE DEPT DRAWING NO
		CCODE		D WCD 4001008
		SHEET 1 OF 2		REV

8 7 6 5 4 3 2 1

REVISIONS			
LTR	DESCRIPTION	DFT	CHK
✓	SEE SHEET ONE	✓	✓



SIDE VIEW



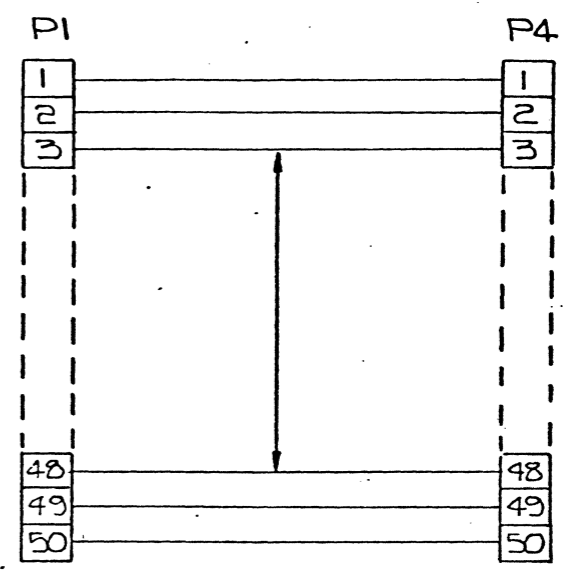
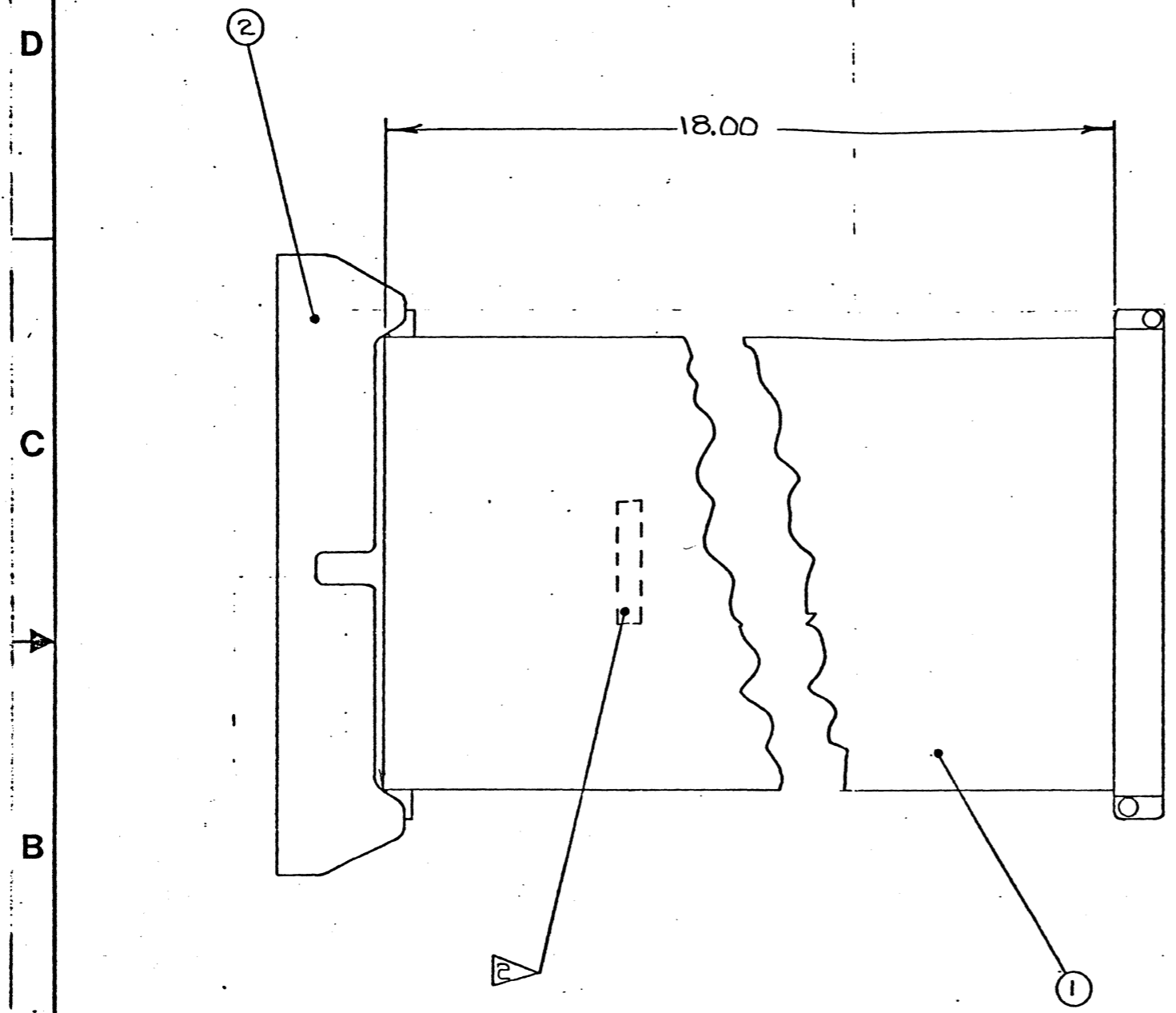
REAR VIEW

- 17 4 PLCS (REF)
- 16
- 2 -01 ONLY
- 3 -02 ONLY

8 7 6 5 4 3 2 1

SCALE: 1:1	SIZE: D	DEPT: MOD	DRAWING NO.: 400100B	REV: A
SHEET 2 OF 2				

REVISIONS			SIGNATURE AND DATE		
ZONE	LTR	DESCRIPTION	EST	CHK	ENGR
A1,2	A	PROD REL P/L REVISED			
D4		BALLOON RENUMBERED, N/A			



NOTES:
 UNLESS OTHERWISE SPECIFIED,
 1. ASSY PART NO IS 4001124-01
 2. INK STAMP ASSY PART NO AND REV LEVEL APPROX WHERE SHOWN.
 3. DIMENSIONS ARE IN INCHES.

QUANTITY PER DASH NO.	ITEM NO.	PART NUMBER	DESCRIPTION
1	2	68-217	CONN, 50 PIN HEADER
1	1	80-049	FLAT CABLE ASSY 18.5" COND 28AWG

SCALE: 2/1	SIGNATURE	DATE	3065 BOWERS AVE. SANTA CLARA CALIF. 95051
TOL. ± 1/4"	DRN BY: <i>[Signature]</i>	12/76	
MATERIAL: SEE ABOVE	CHK BY: <i>[Signature]</i>	1/77	TITLE: CABLE ASSY USER INTERFACE
FINISH:	DFT APPD: <i>[Signature]</i>	2/77	SIZE: C
NEXT ASSY USED ON:	ENGR APPD: <i>[Signature]</i>		DEPT: MKD
	AUTH BY: <i>[Signature]</i>	4/77	DRAWING NO. 4001124
	CODE:	SHEET 1 OF 1	REV A