

PARTS LIST

[KD-SX980]

* All printed circuit boards and its assemblies are not available as service parts.

Area suffix

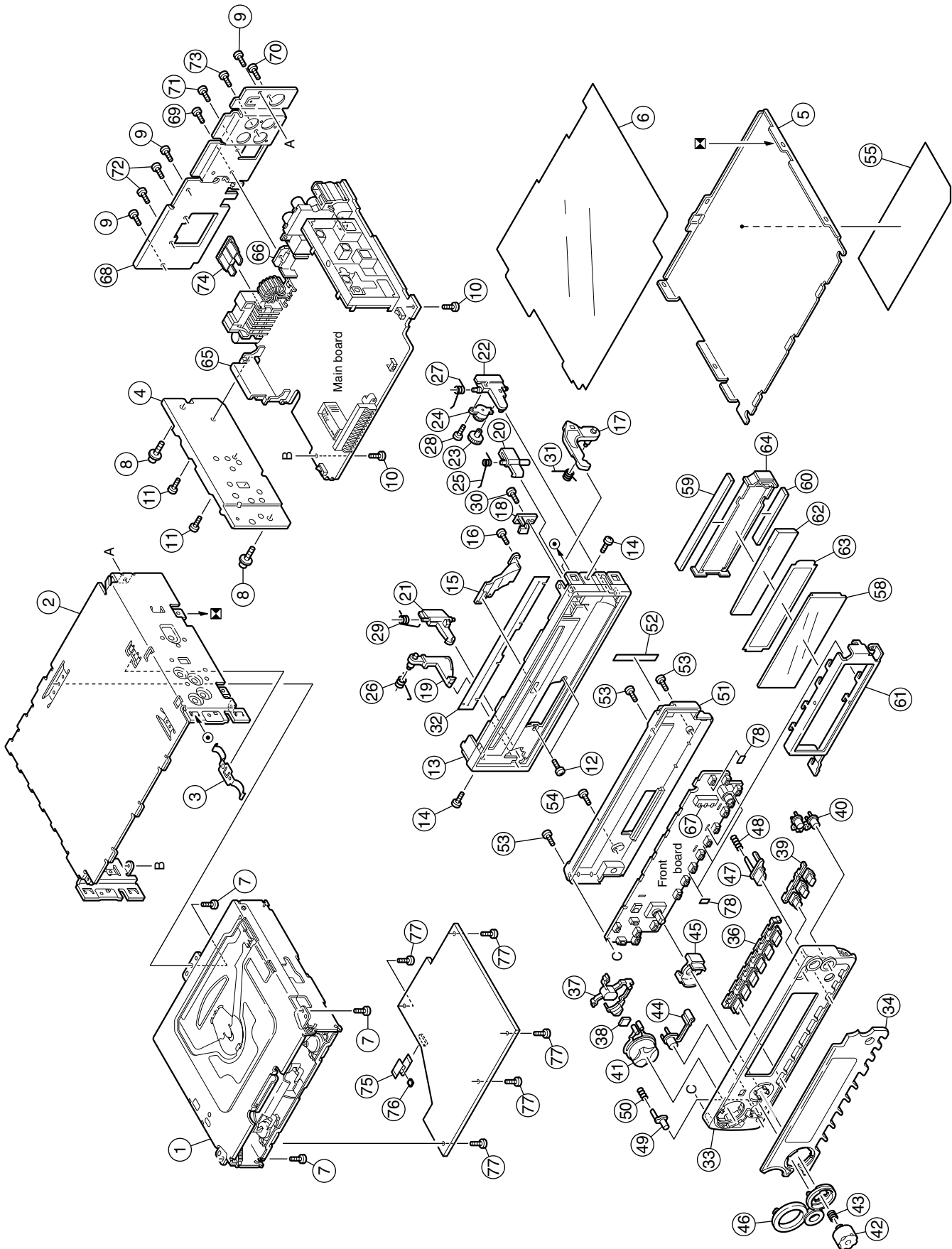
J ----- Northern America

- Contents -

Exploded view of general assembly and parts list (Block No.M1)	3- 2
CD mechanism assembly and parts list (Block No.MB)	3- 5
Electrical parts list (Block No.01~03)	3- 8
Packing materials and accessories parts list (Block No.M3,M5)	3-16

Exploded view of general assembly and parts list

Block No. M 1 M M



Parts list (General assembly)

Block No. M1MM

△	Item	Parts number	Parts name	Q'ty	Description	Area
	1	-----	CD MECHA	1		
	2	GE10043-001A	TOP CHASSIS	1		
	3	GE40135-001A	EARTH PLATE	1		
	4	GE30568-003A	HEAT SINK	1		
	5	GE30393-001A	BOTTOM COVER	1		
	6	FSMA3005-001	INSULATOR	1		
	7	QYSDST2604Z	SCREW	3	CHASSIS+CD MECH	
	8	FSKZ4005-001	SCREW	2	CHASSIS+SIDE PANEL	
	9	QYSDST2604Z	SCREW	3	CHASSIS+REAR BKT	
	10	QYSDST2606Z	SCREW	2	CHASSIS+MAIN PWB	
	11	QYSDST2612Z	SCREW	2	SIDE PANEL+IC BKT	
	12	QYSDSF2006M	SCREW	2	F.CHASSIS+CONECT	
	13	GE10049-003A	FRONT CHASSIS	1		
	14	QYSPSPT2020Z	MINI SCREW	2		
	15	GE30381-001A	LIGHT LENS	1		
	16	VKZ4777-001	MINI SCREW	1	L.LENS+F.CHASSIS	
	17	GE30378-001A	OPEN LEVER	1		
	18	FSKS3015-001	LOCK LEVER(O.L)	1		
	19	VKS3798-002	RELEASE LEVER	1		
	20	GE30379-001A	LOCK LEVER(TOP)	1		
	21	VKS3794-003	LOCK LEVER(L)	1		
	22	VKS3795-002	LOCK LEVER(R)	1		
	23	VKS5563-001	GEAR	1		
	24	VKZ4786-002	OIL DAMPER	1		
	25	FSKW4012-001	T.SPRING	1	FOR L.LEVER(TOP)	
	26	GE40144-001A	T.SPRING	1	FOR RELEASE LEVER)	
	27	VKW5262-001	T.SPRING	1	FOR L.LEVER(R)	
	28	QYSDSF2006M	SCREW	1	DAMPER+L.LEVER(R)	
	29	VKW5263-002	T.SPRING	1	FOR L.LEVER(L)	
	30	VKZ4777-001	MINI SCREW	1	LOCK LEVER(O.L.)	
	31	FSKW4013-002	T.SPRING	1	FOR OPEN LEVER	
	32	GE40140-001A	BLIND	1		
	33	GE10041-001A	FRONT PANEL	1		
	34	GE30369-001A	FINDER ASSY	1		
	36	GE20104-002A	PRESET BUTTON	1	1-6 (2 COLOUR)	
	37	GE30535-001A	POWER BUTTON	1		
	38	FSYH4036-074	SHEET	1	FOR NAV BUTTON	
	39	GE30374-001A	SND FUNC BUTTON	1		
	40	GE30370-001A	D.FUNC BUTTON	1	F/A,CD-CH	
	41	GE30371-001A	NAVIGATION BUTTON	1		
	42	GE30372-001A	VOL KNOB	1		
	43	GE40127-001A	KNOB SPRING	1		
	44	GE40129-001A	SEL BUTTON	1		
	45	GE30373-001A	RIM LENS	1		
	46	GE20123-001A	RIM COVER	1		
	47	GE40128-001A	EJECT BUTTON	1		
	48	VKW3001-330	COMP.SPRING	1	FOR EJECT BUTTON	
	49	GE30116-001A	DETACH BUTTON	1		

■ Parts list (General assembly)

Block No. M1MM

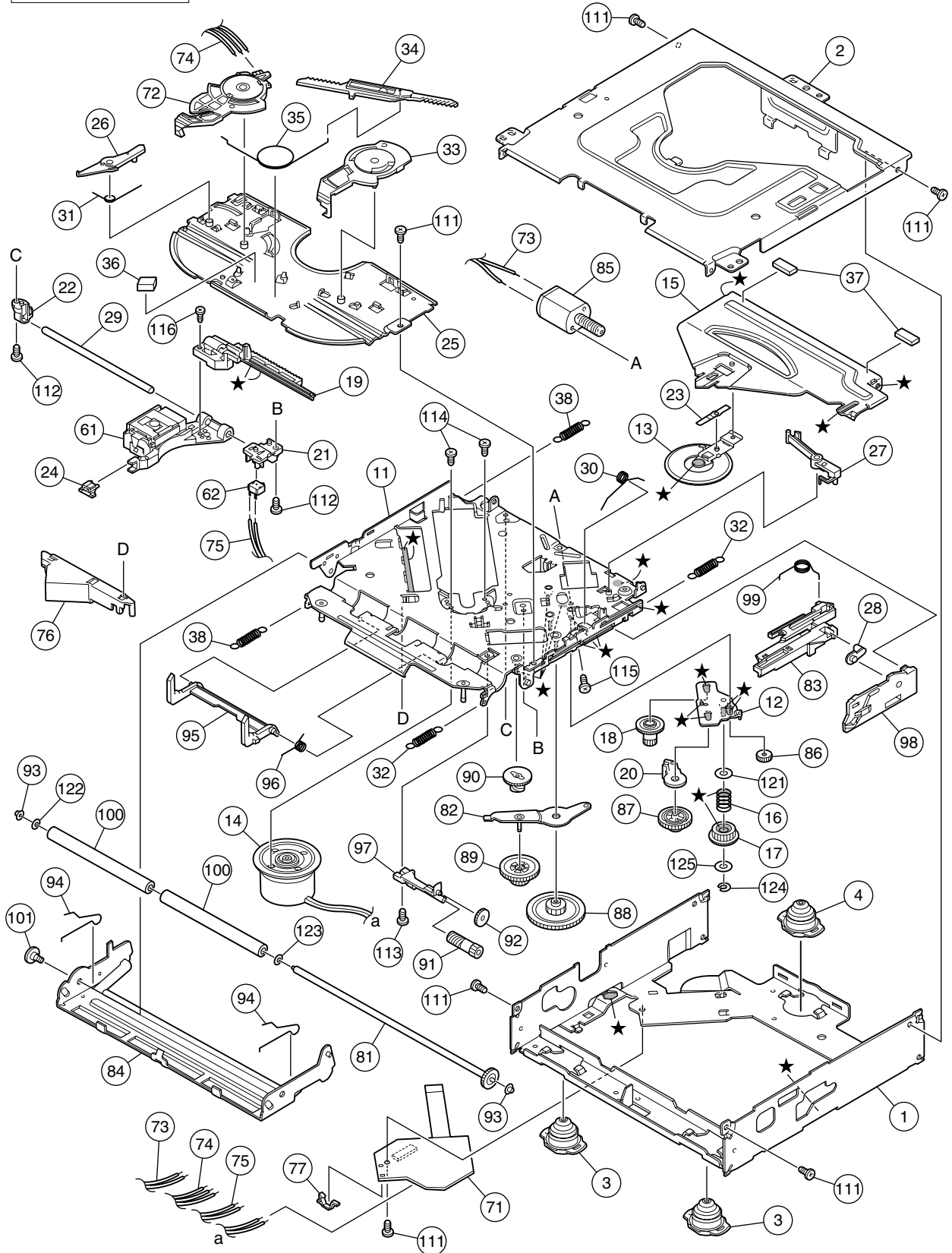
△	Item	Parts number	Parts name	Q'ty	Description	Area
	50	VKW3001-330	COMP.SPRING	1	FOR DETACH BUTTON	
	51	GE10042-001A	REAR COVER	1		
	52	FSYH4036-078	SHEET	1	REAR COVER	
	53	VKZ4777-001	MINI SCREW	3	FRONT+REAR	
	54	VKZ4777-001	MINI SCREW	1	RIM COVER	
	55	GE30356-002A	NAME PLATE	1		
	58	QLD0217-001	LCD MODULE	1	LCD1	
	59	QNZ0449-001	RUBBER CONNE	1		
	60	QNZ0450-001	RUBBER CONNE	1		
	61	GE30375-001A	LCD CASE	1		
	62	FSJK3028-001	LCD LENS	1		
	63	FSYH4061-001	LIGHTNG SHEET	1		
	64	FSKS3013-001	LENS CASE	1		
	65	GE40136-001A	IC BRACKET	1		
	66	GE40124-001A	REG BRACKET	1		
	67	FSKS3017-002	LED HOLDER	1		
	68	GE30382-003A	REAR BRACKET	1		
	69	QYSDST2606Z	SCREW	1	REAR BKT+REG BKT	
	70	QYSDST2606Z	SCREW	1	REAR BKT+ANT JACK	
	71	QYSDST2606Z	SCREW	1	REAR BKT+CD IN JACK	
	72	QYSDST2606Z	SCREW	2	REAR BKT+16P CONNECT	
	73	QYSDSF3006Z	SCREW	1	REAR BKT+PIN JACK	
△	74	QMFZ047-150-T	FUSE	1		
	75	QUQ105-2207AE	FFC WIRE	1		
	76	VYSH101-009	SPACER	1		
	77	QYSDST2004Z	SCREW	5		
	78	FSYH4036-069	SHEET	4		

CD mechanism assembly and parts list

Block No. **M** **B** **M** **M**

Grease
★ TNG-87

TN-2001-1003



■ Parts list (CD mechanism)

Block No. MBMM

△	Item	Parts number	Parts name	Q'ty	Description	Area
	1	30320101T	FRAME	1		
	2	30320102T	TOP COVER	1		
	3	30320109T	DAMPER F	2		
	4	30320110T	DAMPER R	1		
	11	303205501T	CHASSIS RIVET A	1		
	12	303205503T	CHANGE P.RVT A	1		
	13	303205301T	CLAMPER ASS'Y	1		
	14	303205304T	SPINDLE MOTOR A	1	MDN1AL3RHCS	
	15	30320502T	CLAMPER ARM	1		
	16	30320503T	CHANGE GEAR SPG	1		
	17	30320505T	CHANGE GEAR 2	1		
	18	30320506T	FEED GEAR	1		
	19	30320507T	FEED RACK	1		
	20	30320509T	CHANGE LOCK RAR	1		
	21	30320510T	FEED SW HOLDER	1		
	22	30320511T	PU SHAFT HOLDER	1		
	23	30320513T	CLAMPER SUB SPG	1		
	24	30320514T	FD SUB HOLDER	1		
	25	30320518T	TOP PLATE	1		
	26	30320519T	SELECT LOCK ARM	1		
	27	30320520T	TRIGGER ARM	1		
	28	30320521T	SLIDE HOOK	1		
	29	30320522T	PU SHAFT	1		
	30	30320525T	CLAMPER ARM SPG	1		
	31	30320526T	SELECT L ARM SP	1		
	32	30320527T	SUSPENSION SPG	2		
	33	30320529T	SELECT ARM R	1		
	34	30320530T	LINK PLATE	1		
	35	30320531T	LINK PLATE SPG	1		
	36	30320523T	CUSHION F	1		
	37	30320524T	CUSHION R	2		
	38	30320528T	SUSPENSION SPGL	2		
	61	69011614T	PICKUP OPT-725	1		
	62	64180406T	DET SW ESE22	1	ESE22MH56	
	71	303210302T	CONN PWB ASS'Y	1	MP3 CONN	
	72	30321002T	MODE SW	1	MMS000690ZMB0	
	73	30321003T	LOAD MOTOR WIRE	1		
	74	30321005T	MODE SW WIRE	1		
	75	30321009T	SL WIRE	1		
	76	30321011T	WIRE HOLDER	1		
	77	19501403T	WIRE CLAMPER	1		
	81	303211301T	ROLLER SHAFT AS	1		
	82	303211501T	L GEAR PLATE RV	1		
	83	303211302T	LOADING PLATE A	1		
	84	303211502T	LOCK ARM RV ASS	1		
	85	303211303T	L/F MOTOR ASS'Y	1	FF030PK-10180	
	86	30321101T	LOADING GEAR 1	1		
	87	30321102T	LOADING GEAR 2	1		

■ Parts list (CD mechanism)

Block No. MBMM

△	Item	Parts number	Parts name	Q'ty	Description	Area
	88	30321103T	LOADING GEAR 3	1		
	89	30321104T	LOADING GEAR 4	1		
	90	30321105T	LOADING GEAR 5	1		
	91	30321106T	LOADING GEAR 6	1		
	92	30321107T	LOADING GEAR 7	1		
	93	30321111T	ROLLER GUIDE	2		
	94	30321114T	ROLLER GUIDE SP	2		
	95	30321116T	DISC STOPPER AR	1		
	96	30321117T	DISC ST ARM SPG	1		
	97	30321118T	LD GEAR BRACKET	1		
	98	30321125T	L SIDE PLATE	1		
	99	30321131T	LOAD PLATE SPG	1		
	100	30321133T	LDG ROLLER	2		
	101	18211223T	COLLAR SCREW	1		
	111	9P0420031T	SCREW M2X3	6	TAP 2X3	
	112	9P0420041T	SCREW(M2 X 4)	2	TAP 2X4	
	113	9B0320041T	SCREW(M2 X 4)	1	BIND 2X4	
	114	9C0117183T	SCREW	2	SCR M1.7X1.8	
	115	9C0120203T	SCREW	1	SCR M2X2	
	116	9C0317503T	SCREW	1	T SCR M1.5X5	
	121	9W0130170T	PW 3.5X8X0.3	1		
	122	9W0513060T	HL WASHER	1	HLW1.85X5X0.13	
	123	9W0710070T	L WASHER	1	LW3.1X6X0.1	
	124	9E0100152T	E RING	1	S 1.5	
	125	9W0113020T	PW 2.1X4X0.13	1		

■ Electrical parts list (Main board)

Block No. 01

△	Item	Parts number	Parts name	Remarks	Area
	BZ841	QAN0009-001Z	BUZZER		
	C 1	QERF1CM-226Z	E CAPACITOR	22MF 20% 16V	
	C 2	NCB31EK-473X	C CAPACITOR		
	C 3	NCB31EK-103X	C CAPACITOR		
	C 4	QERF1AM-227Z	E CAPACITOR	220MF 20% 10V	
	C 5	QERF1HM-105Z	E CAPACITOR	1.0MF 20% 50V	
	C 6	NCB31HK-103X	C CAPACITOR		
	C 9	QERF1CM-106Z	E CAPACITOR	10MF 20% 16V	
	C 31	QERF1AM-107Z	E CAPACITOR	100MF 20% 10V	
	C 32	NDC31HJ-470X	C CAPACITOR		
	C 33	QERF0JM-476Z	E CAPACITOR	47MF 20% 6.3V	
	C 34	NCB31EK-473X	C CAPACITOR		
	C 35	NDC31HJ-100X	C CAPACITOR		
	C 36	NDC31HJ-7R0X	C CAPACITOR		
	C 37	NDC31HJ-100X	C CAPACITOR		
	C 38	NCB31HK-102X	C CAPACITOR		
	C 39	NCB31HK-102X	C CAPACITOR		
	C 40	QERF1CM-106Z	E CAPACITOR	10MF 20% 16V	
	C 41	NCB31EK-473X	C CAPACITOR		
	C 42	NCB31HK-103X	C CAPACITOR		
	C 43	QFV61HJ-473Z	MF CAPACITOR	.047MF 5% 50V	
	C 44	NCB31HK-103X	C CAPACITOR		
	C 45	NCB31HK-272X	C CAPACITOR		
	C 46	NCB31HK-103X	C CAPACITOR		
	C 47	NCB31HK-103X	C CAPACITOR		
	C 48	NCB31EK-473X	C CAPACITOR		
	C 49	NCB31HK-102X	C CAPACITOR		
	C 50	NCS31HJ-101X	C CAPACITOR		
	C 51	NCS31HJ-331X	C CAPACITOR		
	C 81	QERF1HM-105Z	E CAPACITOR	1.0MF 20% 50V	
	C 84	NCB31EK-153X	C CAPACITOR		
	C 85	NCB31EK-153X	C CAPACITOR		
	C 91	QERF1HM-105Z	E CAPACITOR	1.0MF 20% 50V	
	C 94	NCB31EK-153X	C CAPACITOR		
	C 95	NCB31EK-153X	C CAPACITOR		
	C 161	QERF1HM-105Z	E CAPACITOR	1.0MF 20% 50V	
	C 162	QERF1HM-105Z	E CAPACITOR	1.0MF 20% 50V	
	C 163	QERF1HM-105Z	E CAPACITOR	1.0MF 20% 50V	
	C 164	QERF1HM-105Z	E CAPACITOR	1.0MF 20% 50V	
	C 171	QERF1HM-105Z	E CAPACITOR	1.0MF 20% 50V	
	C 172	QERF1HM-105Z	E CAPACITOR	1.0MF 20% 50V	
	C 173	QERF1HM-105Z	E CAPACITOR	1.0MF 20% 50V	
	C 174	QERF1HM-105Z	E CAPACITOR	1.0MF 20% 50V	
	C 175	QERF1HM-105Z	E CAPACITOR	1.0MF 20% 50V	
	C 176	NCB31HK-332X	C CAPACITOR		
	C 177	NCB31HK-332X	C CAPACITOR		
	C 179	QERF1CM-106Z	E CAPACITOR	10MF 20% 16V	
	C 181	QERF1CM-107Z	E CAPACITOR	100MF 20% 16V	
	C 182	NCB31HK-103X	C CAPACITOR		
	C 241	QERF1HM-105Z	E CAPACITOR	1.0MF 20% 50V	
	C 242	QERF1CM-226Z	E CAPACITOR	22MF 20% 16V	
	C 243	NCB31EK-473X	C CAPACITOR		
	C 245	QERF1HM-224Z	E CAPACITOR	.22MF 20% 50V	
	C 301	QERF1HM-225Z	E CAPACITOR	2.2MF 20% 50V	
	C 302	QERF1HM-225Z	E CAPACITOR	2.2MF 20% 50V	
	C 303	NCS31HJ-391X	C CAPACITOR		
	C 304	NCS31HJ-391X	C CAPACITOR		
	C 305	QERF1EM-475Z	E CAPACITOR	4.7MF 20% 25V	
	C 306	QERF1EM-475Z	E CAPACITOR	4.7MF 20% 25V	
	C 311	QERF1HM-225Z	E CAPACITOR	2.2MF 20% 50V	
	C 312	QERF1HM-225Z	E CAPACITOR	2.2MF 20% 50V	
	C 313	NCS31HJ-391X	C CAPACITOR		
	C 314	NCS31HJ-391X	C CAPACITOR		

△	Item	Parts number	Parts name	Remarks	Area
	C 315	QERF1EM-475Z	E CAPACITOR	4.7MF 20% 25V	
	C 316	QERF1EM-475Z	E CAPACITOR	4.7MF 20% 25V	
	C 317	QERF1CM-476Z	E CAPACITOR	47MF 20% 16V	
	C 318	QERF1CM-226Z	E CAPACITOR	22MF 20% 16V	
	C 319	NCB31EK-223X	C CAPACITOR		
	C 320	NCB31EK-223X	C CAPACITOR		
	C 321	NCS31HJ-151X	C CAPACITOR		
	C 322	NCB21CK-104X	C CAPACITOR		
	C 323	NCB21CK-104X	C CAPACITOR		
	C 324	NCB21CK-104X	C CAPACITOR		
	C 325	NCB21CK-104X	C CAPACITOR		
	C 341	NCB31EK-473X	C CAPACITOR		
	C 367	QERF1EM-475Z	E CAPACITOR	4.7MF 20% 25V	
	C 368	QERF1EM-475Z	E CAPACITOR	4.7MF 20% 25V	
	C 387	QERF1EM-475Z	E CAPACITOR	4.7MF 20% 25V	
	C 388	QERF1EM-475Z	E CAPACITOR	4.7MF 20% 25V	
	C 701	NDC31HJ-220X	C CAPACITOR		
	C 702	NDC31HJ-270X	C-CAPACITOR		
	C 703	NDC31HJ-270X	C-CAPACITOR		
	C 704	NDC31HJ-8R0X	C CAPACITOR		
	C 705	NCB31EK-473X	C CAPACITOR		
	C 706	NCB31EK-104X	C CAPACITOR		
	C 707	NCB31EK-473X	C CAPACITOR		
	C 708	NCB31EK-473X	C CAPACITOR		
	C 709	NCB31HK-103X	C CAPACITOR		
	C 710	QEKJ0JM-476Z	E CAPACITOR	47MF 20% 6.3V	
	C 711	QERF1AM-227Z	E CAPACITOR	220MF 20% 10V	
	C 715	NCB31EK-104X	C CAPACITOR		
	C 716	NCB31EK-104X	C CAPACITOR		
	C 717	NCB31EK-104X	C CAPACITOR		
	C 720	NCB31HK-103X	C CAPACITOR		
	C 721	NCB31HK-103X	C CAPACITOR		
	C 722	NCB31HK-103X	C CAPACITOR		
	C 724	NCB31EK-104X	C CAPACITOR		
	C 771	NCB31EK-473X	C CAPACITOR		
	C 781	QERF0JM-476Z	E CAPACITOR	47MF 20% 6.3V	
	C 782	NCB31EK-823X	C CAPACITOR		
	C 784	QERF1CM-107Z	E CAPACITOR	100MF 20% 16V	
	C 801	NCB31EK-473X	C CAPACITOR		
	C 802	NCB31HK-103X	C CAPACITOR		
	C 803	NDC31HJ-220X	C CAPACITOR		
	C 804	NDC31HJ-220X	C CAPACITOR		
	C 841	QERF1HM-104Z	E CAPACITOR	.10MF 20% 50V	
	C 881	QERF1CM-226Z	E CAPACITOR	22MF 20% 16V	
	C 901	QEZ0338-228	E CAPACITOR	2200MF	
	C 902	QERF1HM-225Z	E CAPACITOR	2.2MF 20% 50V	
	C 903	QERF1CM-476Z	E CAPACITOR	47MF 20% 16V	
	C 904	QERF1CM-106Z	E CAPACITOR	10MF 20% 16V	
	C 905	QERF1CM-226Z	E CAPACITOR	22MF 20% 16V	
	C 906	NCB31HK-103X	C CAPACITOR		
	C 907	QERF1AM-227Z	E CAPACITOR	220MF 20% 10V	
	C 908	QERF1AM-227Z	E CAPACITOR	220MF 20% 10V	
	C 909	QERF1AM-227Z	E CAPACITOR	220MF 20% 10V	
	C 910	QERF1CM-476Z	E CAPACITOR	47MF 20% 16V	
	C 911	NCB31CK-104X	C CAPACITOR		
	C 912	NCB31HK-103X	C CAPACITOR		
	C 914	QERF1CM-107Z	E CAPACITOR	100MF 20% 16V	
	C 915	NCB31CK-104X	C CAPACITOR		
	C 961	NCS31HJ-101X	C CAPACITOR		
	C 962	NCS31HJ-101X	C CAPACITOR		
	C 963	NCS31HJ-101X	C CAPACITOR		
	C 964	NCS31HJ-101X	C CAPACITOR		
	C 965	NCS31HJ-101X	C CAPACITOR		

■ Electrical parts list (Main board)

Block No. 01

Item	Parts number	Parts name	Remarks	Area
C 966	NCS31HJ-101X	C CAPACITOR		
C 967	NCS31HJ-101X	C CAPACITOR		
C 968	NCS31HJ-101X	C CAPACITOR		
C 971	NCB31EK-104X	C CAPACITOR		
CN101	QGB2027M4-22S	CONNECTOR		
CN701	QNZ0007-002	CAR CONNECTOR		
CN901	QNZ0002-001	JACK UNIT		
D 1	1SS133-T1	SI DIODE		
D 2	1SS133-T1	SI DIODE		
D 4	1SS355-X	DIODE		
D 5	1SS355-X	DIODE		
D 242	1SS133-T1	SI DIODE		
D 243	1SS133-T1	SI DIODE		
D 321	1SS355-X	DIODE		
D 331	1SS355-X	DIODE		
D 341	1SS355-X	DIODE		
D 351	1SS355-X	DIODE		
D 701	UDZS5.6B-X	Z DIODE		
D 702	UDZS5.6B-X	Z DIODE		
D 703	UDZS5.6B-X	Z DIODE		
D 704	UDZS5.6B-X	Z DIODE		
D 705	UDZS5.6B-X	Z DIODE		
D 706	UDZS5.6B-X	Z DIODE		
D 707	UDZS5.6B-X	Z DIODE		
D 708	UDZS5.6B-X	Z DIODE		
D 709	UDZS5.6B-X	Z DIODE		
D 710	1SS355-X	DIODE		
D 713	UDZS5.6B-X	Z DIODE		
D 714	SLR-56MC3F	LAMP		
D 717	UDZS5.6B-X	Z DIODE		
D 718	UDZS5.6B-X	Z DIODE		
D 719	UDZS5.6B-X	Z DIODE		
D 720	UDZS5.6B-X	Z DIODE		
D 721	UDZ11B-X	Z DIODE		
D 722	UDZ11B-X	Z DIODE		
D 781	1SS133-T1	SI DIODE		
D 782	1SS133-T1	SI DIODE		
D 784	UDZ11B-X	Z DIODE		
D 901	1N5401-F64	SI DIODE		
D 902	1SS355-X	DIODE		
D 971	CRS03-W	SB DIODE		
D 972	CRS03-W	SB DIODE		
IC 31	TB2118F-X	IC		
IC161	TDA7404D-X	IC		
IC301	LA47503	IC		
IC701	UPD784215AGC175	IC		
IC702	IC-PST600M/G/-W	IC		
IC771	BR24C16F-X	IC		
IC801	HD74HC126FP-X	IC		
IC901	HA13164A	IC		
J 1	QNB0100-002	ANT TERMINAL		
J 321	QNN0489-001	PIN JACK		
J 801	QNZ0095-001	CONNECTOR		
L 1	QQL244J-4R7Z	INDUCTOR		
L 701	QQL244K-4R7Z	INDUCTOR		
L 901	QQR0703-001	CHOKE COIL		
Q 1	2SD601A/R/-X	TRANSISTOR		
Q 2	2SD601A/R/-X	TRANSISTOR		
Q 3	UN2111-X	TRANSISTOR		
Q 5	2SB709A/R/-X	TRANSISTOR		
Q 6	2SB815/7/-X	TRANSISTOR		
Q 7	UN2211-X	TRANSISTOR		
Q 31	UN2211-X	TRANSISTOR		

Item	Parts number	Parts name	Remarks	Area
Q 241	2SD601A/R/-X	TRANSISTOR		
Q 321	2SD1781K/QR/-X	TRANSISTOR		
Q 331	2SD1781K/QR/-X	TRANSISTOR		
Q 341	2SD1781K/QR/-X	TRANSISTOR		
Q 351	2SD1781K/QR/-X	TRANSISTOR		
Q 701	UN2211-X	TRANSISTOR		
Q 702	UN2211-X	TRANSISTOR		
Q 703	UN2211-X	TRANSISTOR		
Q 704	UN2211-X	TRANSISTOR		
Q 705	UN2211-X	TRANSISTOR		
Q 781	UN2111-X	TRANSISTOR		
Q 782	UN2211-X	TRANSISTOR		
Q 784	UN2111-X	TRANSISTOR		
Q 841	UN2211-X	TRANSISTOR		
Q 881	UN2211-X	TRANSISTOR		
Q 976	UN2211-X	TRANSISTOR		
Q 977	2SA1037AK/RS/-X	TRANSISTOR		
R 1	NRS181J-120X	MG RESISTOR		
R 2	NRSA63J-473X	MG RESISTOR		
R 3	NRSA63J-472X	MG RESISTOR		
R 4	NRSA63J-332X	MG RESISTOR		
R 5	NRSA63J-473X	MG RESISTOR		
R 6	NRSA63J-473X	MG RESISTOR		
R 7	NRSA63J-472X	MG RESISTOR		
R 9	NRSA63J-0R0X	MG RESISTOR		
R 11	NRSA63J-103X	MG RESISTOR		
R 31	NRS181J-100X	MG RESISTOR		
R 32	NRSA63J-622X	MG RESISTOR		
R 33	NRSA63J-103X	MG RESISTOR		
R 34	NRSA63J-222X	MG RESISTOR		
R 35	NRSA63J-222X	MG RESISTOR		
R 36	NRSA63J-222X	MG RESISTOR		
R 37	NRSA63J-222X	MG RESISTOR		
R 38	NRSA63J-101X	MG RESISTOR		
R 39	NRSA63J-0R0X	MG RESISTOR		
R 40	NRSA63J-393X	MG RESISTOR		
R 41	NRSA63J-103X	MG RESISTOR		
R 42	NRS181J-100X	MG RESISTOR		
R 43	NRSA63J-471X	MG RESISTOR		
R 44	NRSA63J-221X	MG RESISTOR		
R 51	NRSA63J-223X	MG RESISTOR		
R 81	NRSA63J-222X	MG RESISTOR		
R 82	NRSA63J-392X	MG RESISTOR		
R 91	NRSA63J-222X	MG RESISTOR		
R 92	NRSA63J-392X	MG RESISTOR		
R 161	NRSA63J-222X	MG RESISTOR		
R 162	NRSA63J-222X	MG RESISTOR		
R 163	NRSA63J-274X	MG RESISTOR		
R 164	NRSA63J-0R0X	MG RESISTOR		
R 167	NRSA63J-0R0X	MG RESISTOR		
R 168	NRSA63J-0R0X	MG RESISTOR		
R 177	NRSA63J-0R0X	MG RESISTOR		
R 178	NRSA63J-0R0X	MG RESISTOR		
R 180	NRSA63J-0R0X	MG RESISTOR		
R 182	NRSA63J-0R0X	MG RESISTOR		
R 196	NRSA63J-104X	MG RESISTOR		
R 197	NRSA63J-104X	MG RESISTOR		
R 241	NRSA63J-473X	MG RESISTOR		
R 242	NRSA63J-223X	MG RESISTOR		
R 243	NRSA63J-184X	MG RESISTOR		
R 244	NRSA63J-123X	MG RESISTOR		
R 245	NRSA63J-101X	MG RESISTOR		
R 246	NRSA63J-102X	MG RESISTOR		

■ Electrical parts list (Main board)

Block No. 01

△	Item	Parts number	Parts name	Remarks	Area
	R 247	NRSA63J-184X	MG RESISTOR		
	R 301	NRSA63J-273X	MG RESISTOR		
	R 302	NRSA63J-273X	MG RESISTOR		
	R 311	NRSA63J-273X	MG RESISTOR		
	R 312	NRSA63J-273X	MG RESISTOR		
	R 316	NRSA63J-102X	MG RESISTOR		
	R 321	NRSA63J-222X	MG RESISTOR		
	R 322	NRSA63J-821X	MG RESISTOR		
	R 323	NRSA63J-101X	MG RESISTOR		
	R 331	NRSA63J-222X	MG RESISTOR		
	R 332	NRSA63J-821X	MG RESISTOR		
	R 333	NRSA63J-101X	MG RESISTOR		
	R 341	NRSA63J-222X	MG RESISTOR		
	R 342	NRSA63J-821X	MG RESISTOR		
	R 343	NRSA63J-101X	MG RESISTOR		
	R 351	NRSA63J-222X	MG RESISTOR		
	R 352	NRSA63J-821X	MG RESISTOR		
	R 353	NRSA63J-101X	MG RESISTOR		
	R 368	NRSA63J-473X	MG RESISTOR		
	R 369	NRSA63J-473X	MG RESISTOR		
	R 388	NRSA63J-473X	MG RESISTOR		
	R 389	NRSA63J-473X	MG RESISTOR		
	R 701	NRSA63J-473X	MG RESISTOR		
	R 714	NRSA63J-473X	MG RESISTOR		
	R 719	NRSA63J-0R0X	MG RESISTOR		
	R 720	NRSA63J-122X	MG RESISTOR		
	R 721	NRSA63J-102X	MG RESISTOR		
	R 722	NRSA63J-103X	MG RESISTOR		
	R 723	NRSA63J-103X	MG RESISTOR		
	R 725	NRSA63J-103X	MG RESISTOR		
	R 726	NRSA63J-103X	MG RESISTOR		
	R 728	NRSA63J-103X	MG RESISTOR		
	R 729	NRSA63J-473X	MG RESISTOR		
	R 730	NRSA63J-103X	MG RESISTOR		
	R 731	NRSA63J-473X	MG RESISTOR		
	R 732	NRSA63J-103X	MG RESISTOR		
	R 733	NRSA63J-103X	MG RESISTOR		
	R 734	NRSA63J-222X	MG RESISTOR		
	R 735	NRSA63J-222X	MG RESISTOR		
	R 736	NRSA63J-222X	MG RESISTOR		
	R 737	NRSA63J-0R0X	MG RESISTOR		
	R 738	NRSA63J-472X	MG RESISTOR		
	R 739	NRSA63J-472X	MG RESISTOR		
	R 740	NRSA63J-472X	MG RESISTOR		
	R 741	NRSA63J-103X	MG RESISTOR		
	R 743	NRSA63J-103X	MG RESISTOR		
	R 744	NRSA63J-103X	MG RESISTOR		
	R 745	NRSA63J-103X	MG RESISTOR		
	R 746	NRSA63J-103X	MG RESISTOR		
	R 747	NRSA63J-472X	MG RESISTOR		
	R 748	NRSA63J-472X	MG RESISTOR		
	R 749	NRSA63J-472X	MG RESISTOR		
	R 750	NRSA63J-103X	MG RESISTOR		
	R 751	NRSA63J-103X	MG RESISTOR		
	R 753	NRSA63J-473X	MG RESISTOR		
	R 754	NRSA63J-821X	MG RESISTOR		
	R 755	NRSA63J-106X	MG RESISTOR		
	R 756	NRSA63J-473X	MG RESISTOR		
	R 757	NRSA63J-222X	MG RESISTOR		
	R 758	NRSA63J-473X	MG RESISTOR		
	R 759	NRSA63J-473X	MG RESISTOR		
	R 764	NRSA63J-101X	MG RESISTOR		
	R 765	NRS181J-511X	MG RESISTOR		

△	Item	Parts number	Parts name	Remarks	Area
	R 766	NRSA63J-473X	MG RESISTOR		
	R 771	NRSA63J-271X	MG RESISTOR		
	R 772	NRSA63J-271X	MG RESISTOR		
	R 780	NRSA63J-473X	MG RESISTOR		
	R 781	NRSA63J-473X	MG RESISTOR		
	R 783	NRSA63J-102X	MG RESISTOR		
	R 784	NRSA63J-473X	MG RESISTOR		
	R 787	NRSA63J-103X	MG RESISTOR		
	R 801	NRSA63J-473X	MG RESISTOR		
	R 802	NRSA63J-473X	MG RESISTOR		
	R 803	NRSA63J-101X	MG RESISTOR		
	R 804	NRSA63J-223X	MG RESISTOR		
	R 805	NRSA63J-104X	MG RESISTOR		
	R 806	NRSA63J-103X	MG RESISTOR		
	R 807	NRSA63J-104X	MG RESISTOR		
	R 808	NRSA63J-331X	MG RESISTOR		
	R 809	NRSA63J-223X	MG RESISTOR		
	R 810	NRSA63J-101X	MG RESISTOR		
	R 841	NRSA63J-102X	MG RESISTOR		
	R 881	NRSA63J-473X	MG RESISTOR		
	R 882	NRSA63J-472X	MG RESISTOR		
	R 901	QRE142J-102X	C RESISTOR	1.0K 5% 1/4W	
	R 902	NRSA02J-912X	MG RESISTOR		
	R 903	NRSA02J-472X	MG RESISTOR		
	R 971	NRS181J-222X	MG RESISTOR		
	R 972	NRS181J-222X	MG RESISTOR		
	R 976	NRSA02J-203X	MG RESISTOR		
	R 977	NRSA02J-822X	MG RESISTOR		
	S 701	QSW0451-001	DETECT SWITCH	OPEN	
	S 702	QSW0451-001	DETECT SWITCH	DETACH	
	S 703	QSW0534-001	TACT SW	RESET	
	TU 1	QAU0258-001	TUNER		
	X 31	QAX0616-001Z	CRYSTAL		
	X 701	QAX0617-001Z	CRYSTAL		
	X 702	QAX0401-001	CRYSTAL		

■ Electrical parts list (Mecha control board) Block No. 02

▲	Item	Parts number	Parts name	Remarks	Area	▲	Item	Parts number	Parts name	Remarks	Area
	C 501	NCB31AK-474X	C CAPACITOR				C 627	NCB31HK-103X	C CAPACITOR		
	C 502	NCB31HK-103X	C CAPACITOR				C 628	NEAD0JM-476X	E CAPACITOR		
	C 503	NCB31HK-103X	C CAPACITOR				C 629	NCB31EK-333X	C CAPACITOR		
	C 504	NEAD0JM-107X	E CAPACITOR				C 630	NCB31EK-333X	C CAPACITOR		
	C 505	NDC31HJ-270X	C-CAPACITOR				C 631	NCS31HJ-471X	C CAPACITOR		
	C 506	NDC31HJ-220X	C CAPACITOR				C 632	NCS31HJ-471X	C CAPACITOR		
	C 507	NCB31AK-474X	C CAPACITOR				C 633	NCB31CK-473X	C CAPACITOR		
	C 508	NCB31HK-103X	C CAPACITOR				C 634	NCB31CK-473X	C CAPACITOR		
	C 509	NCB31HK-103X	C CAPACITOR				C 635	NCB31CK-473X	C CAPACITOR		
	C 510	NCS31HJ-102X	C CAPACITOR				C 636	NCB31CK-473X	C CAPACITOR		
	C 511	NCB31CK-104X	C CAPACITOR				C 637	NCB31CK-473X	C CAPACITOR		
	C 512	NEAD0JM-107X	E CAPACITOR				C 638	NCB31HK-103X	C CAPACITOR		
	C 513	NCB31HK-103X	C CAPACITOR				C 639	NEAD0JM-476X	E CAPACITOR		
	C 551	NCB31HK-103X	C CAPACITOR				C 640	NCB31HK-103X	C CAPACITOR		
	C 571	NDC31HJ-100X	C CAPACITOR				C 641	NEAD0JM-476X	E CAPACITOR		
	C 572	NDC31HJ-100X	C CAPACITOR				C 642	NCS31HJ-101X	C CAPACITOR		
	C 573	NCB31CK-104X	C CAPACITOR				C 643	NCB31HK-103X	C CAPACITOR		
	C 574	NEAD1CM-106X	E CAPACITOR				C 644	NCB31AK-334X	C CAPACITOR		
	C 575	NEAD0JM-476X	E CAPACITOR				C 645	NEAD0JM-476X	E CAPACITOR		
	C 576	NCB31CK-104X	C CAPACITOR				C 646	NCB31HK-103X	C CAPACITOR		
	C 577	NCB31CK-104X	C CAPACITOR				C 651	NEAD0JM-476X	E CAPACITOR		
	C 578	NEAD0JM-476X	E CAPACITOR				C 652	NCB31HK-103X	C CAPACITOR		
	C 579	NEAD1CM-106X	E CAPACITOR				C 653	NEAD0JM-476X	E CAPACITOR		
	C 580	NCB31CK-104X	C CAPACITOR				C 654	NCB31CK-104X	C CAPACITOR		
	C 581	NCS31HJ-101X	C CAPACITOR				C 655	NCB31HK-103X	C CAPACITOR		
	C 582	NCS31HJ-101X	C CAPACITOR				C 656	NCB31CK-104X	C CAPACITOR		
	C 583	NCS31HJ-821X	C CAPACITOR				C 657	NCB31CK-104X	C CAPACITOR		
	C 584	NCS31HJ-821X	C CAPACITOR				C 658	NCB31CK-104X	C CAPACITOR		
	C 585	NEAD1VM-475X	E CAPACITOR				C 659	NCB31CK-104X	C CAPACITOR		
	C 586	NEAD1VM-475X	E CAPACITOR				C 660	NCS31HJ-101X	C CAPACITOR		
	C 587	NCS31HJ-121X	C CAPACITOR				C 661	NCB31HK-103X	C CAPACITOR		
	C 588	NCS31HJ-121X	C CAPACITOR				C 662	NCS31HJ-101X	C CAPACITOR		
	C 589	NEAD1VM-475X	E CAPACITOR				C 663	NCB31CK-104X	C CAPACITOR		
	C 590	NEAD1VM-475X	E CAPACITOR				C 664	NCB31EK-273X	C CAPACITOR		
	C 591	NEAD0JM-476X	E CAPACITOR				C 665	NCB31AK-334X	C CAPACITOR		
	C 592	NEAD0JM-476X	E CAPACITOR				C 666	NCS31HJ-101X	C CAPACITOR		
	C 593	NEAD1CM-476X	E CAPACITOR				C 667	NCB31HK-103X	C CAPACITOR		
	C 594	NCS31HJ-102X	C CAPACITOR				C 668	NEAD0JM-476X	E CAPACITOR		
	C 595	NCB31CK-473X	C CAPACITOR				C 669	NCB31HK-103X	C CAPACITOR		
	C 596	NCS31HJ-101X	C CAPACITOR				C 671	NEAD0JM-476X	E CAPACITOR		
	C 597	NCS31HJ-102X	C CAPACITOR				C 672	NCB31CK-104X	C CAPACITOR		
	C 598	NCS31HJ-102X	C CAPACITOR				C 673	NCS31HJ-101X	C CAPACITOR		
	C 599	QERF1AM-336Z	E CAPACITOR	33MF 20% 10V			C 682	NEAD1CM-106X	E CAPACITOR		
	C 601	NEAD0JM-476X	E CAPACITOR				C 683	NCB31CK-104X	C CAPACITOR		
	C 602	NCB31HK-103X	C CAPACITOR				C 684	NEAD1CM-476X	E CAPACITOR		
	C 603	NEAD0JM-107X	E CAPACITOR				C 685	NCB31CK-473X	C CAPACITOR		
	C 604	NCB31HK-103X	C CAPACITOR				C 686	NCB31CK-473X	C CAPACITOR		
	C 605	NCB31HK-682X	C CAPACITOR				C 687	NCB31CK-473X	C CAPACITOR		
	C 606	NEAD0JM-476X	E CAPACITOR				C 688	NCB31CK-473X	C CAPACITOR		
	C 607	NCB31HK-103X	C CAPACITOR				C 689	NEAD1CM-476X	E CAPACITOR		
	C 608	NCB31CK-104X	C CAPACITOR				C 690	NBE20JM-106X	TS E CAP SVB20J		
	C 609	NCB31CK-104X	C CAPACITOR				CN501	QGB2027L1-22X	CONNECTOR		
	C 610	NDC31HJ-5R0X	C CAPACITOR				CN601	QGF0526F1-22X	FPC CONNE		
	C 611	NCS31HJ-680X	C CAPACITOR				D 501	1SS355-X	DIODE		
	C 612	NCB31HK-103X	C CAPACITOR				D 502	1SS355-X	DIODE		
	C 613	NCB31HK-103X	C CAPACITOR				D 503	1SS355-X	DIODE		
	C 614	NCB31HK-103X	C CAPACITOR				D 504	1SS355-X	DIODE		
	C 621	NCB31HK-103X	C CAPACITOR				D 505	1SS355-X	DIODE		
	C 622	NEAD0JM-476X	E CAPACITOR				D 506	CRS03-W	SB DIODE		
	C 623	NDC31HJ-470X	C CAPACITOR				D 682	1SR154-400-X	DIODE		
	C 624	NCB31HK-153X	C CAPACITOR				IC501	UPD784225GK-623	IC		
	C 625	NCB31HK-103X	C CAPACITOR				IC502	BR24C01AFV-W-X	IC		
	C 626	NCB31HK-272X	C CAPACITOR				IC503	HD74HCT126T-X	IC		

■ Electrical parts list (Mecha control board) Block No. 02

△	Item	Parts number	Parts name	Remarks	Area
	IC504	NJU7241F33-X	IC		
	IC571	PCM1716E-X	IC		
	IC572	NJM4565V-X	IC		
	IC601	TA2157FN-X	IC		
	IC621	TC94A14FA	IC		
	IC651	NJU7241F25-X	IC		
	IC652	TC94A02F-005	IC		
	IC653	W24L010AJ-12-X	IC		
	IC681	LA6579H-X	IC		
	L 501	NQL114K-470X	INDUCTOR		
	L 502	NQL114K-470X	INDUCTOR		
	L 571	NQL114K-470X	INDUCTOR		
	L 572	NQL114K-470X	INDUCTOR		
	L 621	NQL114K-470X	INDUCTOR		
	L 622	NQL114K-470X	INDUCTOR		
	L 623	NQL114K-470X	INDUCTOR		
	L 651	NQL114K-470X	INDUCTOR		
	L 652	NQL114K-470X	INDUCTOR		
	L 653	NQL114K-470X	INDUCTOR		
	Q 501	UN2111-X	TRANSISTOR		
	Q 502	UN2211-X	TRANSISTOR		
	Q 571	UN2111-X	TRANSISTOR		
	Q 572	UN2211-X	TRANSISTOR		
	Q 601	2SB1132/QR/-X	TRANSISTOR		
	Q 681	2SB1184/QR/-X	TRANSISTOR		
	R 501	NRSA63J-822X	MG RESISTOR		
	R 502	NRSA63J-271X	MG RESISTOR		
	R 503	NRSA63J-103X	MG RESISTOR		
	R 504	NRSA63J-271X	MG RESISTOR		
	R 505	NRSA63J-102X	MG RESISTOR		
	R 506	NRSA63J-102X	MG RESISTOR		
	R 507	NRSA63J-101X	MG RESISTOR		
	R 508	NRSA63J-101X	MG RESISTOR		
	R 509	NRSA63J-101X	MG RESISTOR		
	R 510	NRSA63J-101X	MG RESISTOR		
	R 511	NRSA63J-101X	MG RESISTOR		
	R 512	NRSA63J-101X	MG RESISTOR		
	R 513	NRSA63J-101X	MG RESISTOR		
	R 514	NRSA63J-102X	MG RESISTOR		
	R 515	NRSA63J-101X	MG RESISTOR		
	R 516	NRSA63J-101X	MG RESISTOR		
	R 517	NRSA63J-101X	MG RESISTOR		
	R 518	NRSA63J-472X	MG RESISTOR		
	R 519	NRSA63J-101X	MG RESISTOR		
	R 520	NRSA63J-101X	MG RESISTOR		
	R 521	NRSA63J-101X	MG RESISTOR		
	R 522	NRSA63J-101X	MG RESISTOR		
	R 523	NRSA63J-101X	MG RESISTOR		
	R 524	NRSA63J-101X	MG RESISTOR		
	R 525	NRSA63J-101X	MG RESISTOR		
	R 527	NRSA63J-104X	MG RESISTOR		
	R 528	NRSA63J-473X	MG RESISTOR		
	R 530	NRSA63J-473X	MG RESISTOR		
	R 531	NRSA63J-473X	MG RESISTOR		
	R 533	NRSA63J-473X	MG RESISTOR		
	R 534	NRSA63J-473X	MG RESISTOR		
	R 535	NRSA63J-473X	MG RESISTOR		
	R 536	NRSA63J-102X	MG RESISTOR		
	R 537	NRSA63J-473X	MG RESISTOR		
	R 538	NRSA63J-473X	MG RESISTOR		
	R 539	NRSA63J-102X	MG RESISTOR		
	R 540	NRSA63J-473X	MG RESISTOR		
	R 541	NRSA63J-102X	MG RESISTOR		

△	Item	Parts number	Parts name	Remarks	Area
	R 542	NRSA63J-101X	MG RESISTOR		
	R 543	NRSA63J-0R0X	MG RESISTOR		
	R 544	NRSA63J-102X	MG RESISTOR		
	R 545	NRSA63J-103X	MG RESISTOR		
	R 546	NRSA63J-104X	MG RESISTOR		
	R 547	NRSA63J-472X	MG RESISTOR		
	R 548	NRSA63J-472X	MG RESISTOR		
	R 549	NRSA63J-472X	MG RESISTOR		
	R 550	NRSA63J-472X	MG RESISTOR		
	R 551	NRSA63J-104X	MG RESISTOR		
	R 552	NRSA63J-104X	MG RESISTOR		
	R 553	NRSA63J-183X	MG RESISTOR		
	R 554	NRSA63J-333X	MG RESISTOR		
	R 555	NRSA63J-101X	MG RESISTOR		
	R 556	NRSA63J-0R0X	MG RESISTOR		
	R 557	NRSA63J-104X	MG RESISTOR		
	R 558	NRSA63J-104X	MG RESISTOR		
	R 559	NRSA63J-0R0X	MG RESISTOR		
	R 560	NRSA63J-101X	MG RESISTOR		
	R 561	NRSA63J-104X	MG RESISTOR		
	R 562	NRSA63J-392X	MG RESISTOR		
	R 563	NRSA63J-682X	MG RESISTOR		
	R 567	NRSA63J-101X	MG RESISTOR		
	R 568	NRSA63J-102X	MG RESISTOR		
	R 569	NRSA63J-102X	MG RESISTOR		
	R 570	NRSA63J-102X	MG RESISTOR		
	R 572	NRSA63J-473X	MG RESISTOR		
	R 573	NRSA63J-473X	MG RESISTOR		
	R 574	NRSA63J-470X	MG RESISTOR		
	R 581	NRSA63J-203X	MG RESISTOR		
	R 582	NRSA63J-203X	MG RESISTOR		
	R 583	NRSA63J-123X	MG RESISTOR		
	R 584	NRSA63J-123X	MG RESISTOR		
	R 585	NRSA63J-303X	MG RESISTOR		
	R 586	NRSA63J-303X	MG RESISTOR		
	R 587	NRSA63J-473X	MG RESISTOR		
	R 588	NRSA63J-473X	MG RESISTOR		
	R 589	NRSA63J-103X	MG RESISTOR		
	R 590	NRSA63J-103X	MG RESISTOR		
	R 591	NRSA63J-103X	MG RESISTOR		
	R 592	NRSA63J-103X	MG RESISTOR		
	R 593	NRSA63J-4R7X	MG RESISTOR		
	R 601	NRSA63J-823X	MG RESISTOR		
	R 602	NRSA63J-823X	MG RESISTOR		
	R 603	NRSA63J-334X	MG RESISTOR		
	R 604	NRSA63J-334X	MG RESISTOR		
	R 605	NRSA63J-220X	MG RESISTOR		
	R 606	NRSA63J-220X	MG RESISTOR		
	R 607	NRSA63J-823X	MG RESISTOR		
	R 608	NRSA63J-821X	MG RESISTOR		
	R 609	NRSA63J-563X	MG RESISTOR		
	R 610	NRSA63J-101X	MG RESISTOR		
	R 611	NRSA63J-103X	MG RESISTOR		
	R 612	NRSA63J-202X	MG RESISTOR		
	R 613	NRSA63J-102X	MG RESISTOR		
	R 614	NRSA63J-153X	MG RESISTOR		
	R 615	NRSA63J-151X	MG RESISTOR		
	R 616	NRSA63J-103X	MG RESISTOR		
	R 621	NRSA63J-470X	MG RESISTOR		
	R 622	NRSA63J-470X	MG RESISTOR		
	R 623	NRSA63J-470X	MG RESISTOR		
	R 624	NRSA63J-562X	MG RESISTOR		
	R 625	NRSA63J-473X	MG RESISTOR		

■ Electrical parts list (Mecha control board) Block No. 02

△	Item	Parts number	Parts name	Remarks	Area
	R 626	NRSA63J-474X	MG RESISTOR		
	R 627	NRSA63J-103X	MG RESISTOR		
	R 628	NRSA63J-225X	MG RESISTOR		
	R 629	NRSA63J-103X	MG RESISTOR		
	R 630	NRSA63J-101X	MG RESISTOR		
	R 631	NRSA63J-101X	MG RESISTOR		
	R 632	NRSA63J-0R0X	MG RESISTOR		
	R 633	NRSA63J-0R0X	MG RESISTOR		
	R 634	NRSA63J-0R0X	MG RESISTOR		
	R 635	NRSA63J-101X	MG RESISTOR		
	R 636	NRSA63J-101X	MG RESISTOR		
	R 637	NRSA63J-105X	MG RESISTOR		
	R 638	NRSA63J-472X	MG RESISTOR		
	R 639	NRSA63J-472X	MG RESISTOR		
	R 640	NRSA63J-472X	MG RESISTOR		
	R 641	NRSA63J-472X	MG RESISTOR		
	R 642	NRSA63J-103X	MG RESISTOR		
	R 651	NRSA63J-104X	MG RESISTOR		
	R 652	NRSA63J-474X	MG RESISTOR		
	R 653	NRSA63J-474X	MG RESISTOR		
	R 654	NRSA63J-470X	MG RESISTOR		
	R 655	NRSA63J-0R0X	MG RESISTOR		
	R 656	NRSA63J-0R0X	MG RESISTOR		
	R 657	NRSA63J-0R0X	MG RESISTOR		
	R 658	NRSA63J-474X	MG RESISTOR		
	R 659	NRSA63J-474X	MG RESISTOR		
	R 660	NRSA63J-474X	MG RESISTOR		
	R 661	NRSA63J-474X	MG RESISTOR		
	R 662	NRSA63J-474X	MG RESISTOR		
	R 663	NRSA63J-474X	MG RESISTOR		
	R 664	NRSA63J-474X	MG RESISTOR		
	R 665	NRSA63J-474X	MG RESISTOR		
	R 666	NRSA63J-474X	MG RESISTOR		
	R 667	NRSA63J-474X	MG RESISTOR		
	R 668	NRSA63J-0R0X	MG RESISTOR		
	R 669	NRSA63J-474X	MG RESISTOR		
	R 670	NRSA63J-474X	MG RESISTOR		
	R 671	NRSA63J-474X	MG RESISTOR		
	R 672	NRSA63J-474X	MG RESISTOR		
	R 673	NRSA63J-474X	MG RESISTOR		
	R 674	NRSA63J-331X	MG RESISTOR		
	R 675	NRSA63J-331X	MG RESISTOR		
	R 677	NRSA63J-105X	MG RESISTOR		
	R 681	NRSA63J-682X	MG RESISTOR		
	R 682	NRSA63J-682X	MG RESISTOR		
	R 683	NRSA63J-472X	MG RESISTOR		
	R 684	NRSA63J-153X	MG RESISTOR		
	R 685	NRSA63J-333X	MG RESISTOR		
	R 686	NRSA63J-822X	MG RESISTOR		
	R 687	NRSA63J-0R0X	MG RESISTOR		
	R 688	NRSA63J-303X	MG RESISTOR		
	R 689	NRSA63J-223X	MG RESISTOR		
	TH501	NAD0022-103X	N THERMISTOR		
	X 501	NAX0430-001X	CRYSTAL		
	X 571	NAX0375-001X	CRYSTAL		

■ Electrical parts list (Front board)

Block No. 03

△	Item	Parts number	Parts name	Remarks	Area
	C 601	NBE20JM-475X	TS E CAPACITOR		
	C 602	NCB31HK-103X	C CAPACITOR		
	C 603	NCS31HJ-221X	C CAPACITOR		
	C 604	NCB31AK-224X	C CAPACITOR		
	C 605	NCB31AK-224X	C CAPACITOR		
	C 606	NBE20JM-475X	TS E CAPACITOR		
	C 607	NCB31EK-473X	C CAPACITOR		
	C 608	NCB31HK-103X	C CAPACITOR		
	C 609	NCB31HK-103X	C CAPACITOR		
	CN601	QNZ0006-001	CAR CONNECTOR		
	D 601	SML-310LT/MN/-X	LED		
	D 602	SML-310VT/JK/-X	LED		
	D 603	SML-310VT/JK/-X	LED		
	D 604	SML-310VT/JK/-X	LED		
	D 605	SML-310VT/JK/-X	LED		
	D 606	SML-310VT/JK/-X	LED		
	D 607	CL-190UB-X-X	LED		
	D 608	CL-190UB-X-X	LED		
	D 609	SML-310VT/JK/-X	LED		
	D 610	SML-310VT/JK/-X	LED		
	D 611	SML-310VT/JK/-X	LED		
	D 612	SML-310VT/JK/-X	LED		
	D 613	SML-310VT/JK/-X	LED		
	D 614	SML-310VT/JK/-X	LED		
	D 615	SML-310VT/JK/-X	LED		
	D 616	SML-310VT/JK/-X	LED		
	D 617	LNJ308G81/1-3/X	LED		
	D 618	SML-310VT/JK/-X	LED		
	D 619	SML-310VT/JK/-X	LED		
	D 620	SML-310VT/JK/-X	LED		
	D 641	NSPW310BS/BRS/	LED		
	D 642	NSPW310BS/BRS/	LED		
	D 643	NSPW310BS/BRS/	LED		
	D 651	UDZS5.1B-X	Z DIODE		
	D 652	1SS355-X	DIODE		
	D 653	1SS355-X	DIODE		
	D 654	1SS355-X	DIODE		
	D 655	1SS355-X	DIODE		
	D 656	1SS355-X	DIODE		
	D 657	1SS355-X	DIODE		
	D 658	1SS355-X	DIODE		
	D 659	UDZS5.6B-X	Z DIODE		
	EN601	QSW0976-001	ROTARY ENCODER		
	IC601	LC75873NW	IC		
	IC602	RPM6938-SV4	IC		
	J 601	QNS0201-001	3.5 JACK		
	Q 641	2SB815/7/-X	TRANSISTOR		
	Q 642	UN2211-X	TRANSISTOR		
	R 601	NRSA63J-821X	MG RESISTOR		
	R 602	NRSA63J-821X	MG RESISTOR		
	R 603	NRSA63J-122X	MG RESISTOR		
	R 604	NRSA63J-182X	MG RESISTOR		
	R 605	NRSA63J-821X	MG RESISTOR		
	R 606	NRSA63J-821X	MG RESISTOR		
	R 607	NRSA63J-122X	MG RESISTOR		
	R 608	NRSA63J-182X	MG RESISTOR		
	R 609	NRSA63J-272X	MG RESISTOR		
	R 610	NRSA63J-392X	MG RESISTOR		
	R 611	NRSA63J-821X	MG RESISTOR		
	R 612	NRSA63J-821X	MG RESISTOR		
	R 613	NRSA63J-122X	MG RESISTOR		
	R 614	NRSA63J-182X	MG RESISTOR		
	R 620	NRS181J-821X	MG RESISTOR		

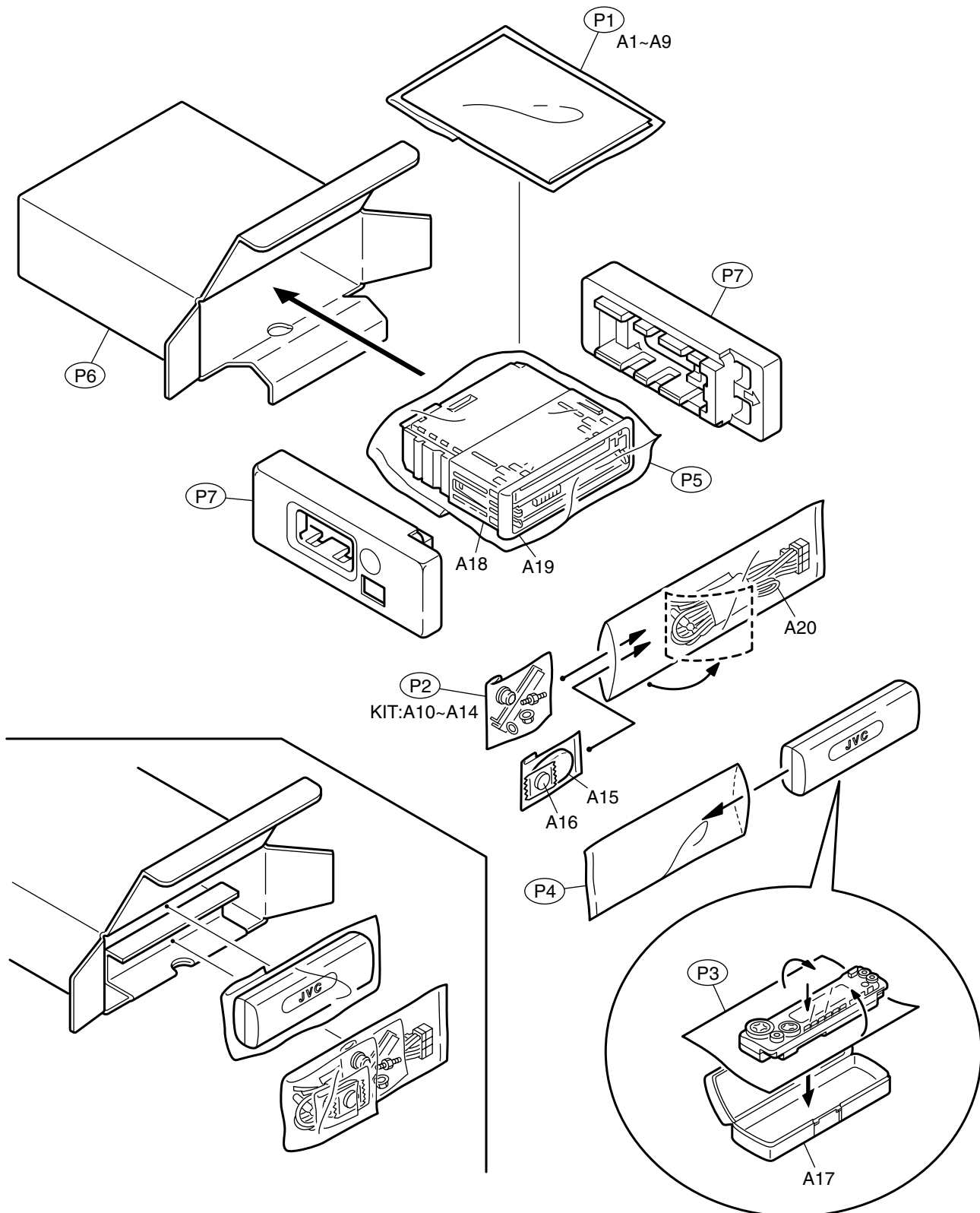
△	Item	Parts number	Parts name	Remarks	Area
	R 621	NRSA02J-122X	MG RESISTOR		
	R 622	NRSA02J-122X	MG RESISTOR		
	R 623	NRSA02J-182X	MG RESISTOR		
	R 624	NRSA02J-182X	MG RESISTOR		
	R 625	NRSA02J-122X	MG RESISTOR		
	R 626	NRSA02J-122X	MG RESISTOR		
	R 627	NRSA02J-561X	MG RESISTOR		
	R 628	NRSA02J-561X	MG RESISTOR		
	R 629	NRSA02J-561X	MG RESISTOR		
	R 630	NRSA02J-561X	MG RESISTOR		
	R 631	NRSA02J-122X	MG RESISTOR		
	R 632	NRSA02J-122X	MG RESISTOR		
	R 633	NRSA02J-911X	MG RESISTOR		
	R 634	NRSA02J-911X	MG RESISTOR		
	R 635	NRSA02J-182X	MG RESISTOR		
	R 636	NRSA02J-182X	MG RESISTOR		
	R 637	NRSA02J-122X	MG RESISTOR		
	R 638	NRSA02J-122X	MG RESISTOR		
	R 639	NRSA02J-122X	MG RESISTOR		
	R 640	NRSA02J-122X	MG RESISTOR		
	R 641	NRS181J-431X	MG RESISTOR		
	R 642	NRS181J-431X	MG RESISTOR		
	R 643	NRS181J-431X	MG RESISTOR		
	R 644	NRS181J-471X	MG RESISTOR		
	R 645	NRSA63J-473X	MG RESISTOR		
	R 646	NRS181J-102X	MG RESISTOR		
	R 650	NRSA63J-0R0X	MG RESISTOR		
	R 651	NRSA63J-473X	MG RESISTOR		
	R 652	NRSA63J-473X	MG RESISTOR		
	R 653	NRS181J-102X	MG RESISTOR		
	R 654	NRSA63J-221X	MG RESISTOR		
	R 655	NRSA63J-394X	MG RESISTOR		
	R 656	NRSA63J-334X	MG RESISTOR		
	R 657	NRSA63J-103X	MG RESISTOR		
	R 658	NRSA63J-103X	MG RESISTOR		
	R 659	NRSA63J-103X	MG RESISTOR		
	R 660	NRSA63J-103X	MG RESISTOR		
	R 661	NRSA63J-470X	MG RESISTOR		
	R 662	NRSA63J-332X	MG RESISTOR		
	R 663	NRSA63J-332X	MG RESISTOR		
	R 664	NRSA63J-332X	MG RESISTOR		
	R 666	NRSA63J-0R0X	MG RESISTOR		
	R 667	NRSA63J-0R0X	MG RESISTOR		
	R 670	NRSA63J-471X	MG RESISTOR		
	S 601	NSW0124-001X	TACT SWITCH		
	S 602	NSW0124-001X	TACT SWITCH		
	S 603	NSW0124-001X	TACT SWITCH		
	S 604	NSW0124-001X	TACT SWITCH		
	S 605	NSW0124-001X	TACT SWITCH		
	S 606	NSW0124-001X	TACT SWITCH		
	S 607	NSW0124-001X	TACT SWITCH		
	S 608	NSW0124-001X	TACT SWITCH		
	S 609	NSW0124-001X	TACT SWITCH		
	S 610	NSW0124-001X	TACT SWITCH		
	S 611	NSW0124-001X	TACT SWITCH		
	S 612	NSW0124-001X	TACT SWITCH		
	S 613	NSW0124-001X	TACT SWITCH		
	S 614	NSW0124-001X	TACT SWITCH		
	S 615	NSW0124-001X	TACT SWITCH		
	S 616	NSW0124-001X	TACT SWITCH		
	S 617	NSW0124-001X	TACT SWITCH		

< MEMO >

Packing materials and accessories parts list

Block No. M 3 M M

Block No. M 5 M M



Parts list (Packing)

Block No. M3MM

△	Item	Parts number	Parts name	Q'ty	Description	Area
	P 1	FSPG4002-001	POLY BAG	1	FOR INST BOOK	
	P 2	QPA00801205	POLY BAG	1	FOR SCREW KIT	
	P 3	FSYH4036-068	SHEET	1	MIRAMA SHEET	
	P 4	QPA01003003	POLY BAG	1	FOR HARD CASE	
	P 5	QPC03004315P	POLY BAG	1	FOR SET	
	P 6	GE30407-025A	PACKING CASE	1		
	P 7	GE10047-001A	EPS CUSHION	2		

Parts list (Accessories)

Block No. M5MM

△	Item	Parts number	Parts name	Q'ty	Description	Area
	A 1	GET0091-001A	INST BOOK	1	ENG, SPA, FRE	
	A 2	GET0071-002A	INSTALL MANUAL	1	ENG, SPA, FRE	
	A 3	GET0094-001A	CAUTION SHEET	1	RESET CAUTION	
	A 4	BT-51018-3	WARRANTY CARD	1	FOR J	
	A 5	LVT0717-001B	TROUBLE SHEET(C	1		
	A 6	LVT0770-003B	MP3 MANUAL	1		
	A 7	BT-52004-2	WARRANTY CARD	1	FOR C	
	A 8	BT-51028-1	J=REGIST CAR	1	FOR J	
	A 9	BT-20071B-S	JVC CENTER LIST	1	FOR C	
	A 10	VKZ4027-202	PLUG NUT	1		
	A 11	VKH4871-001SS	MOUNT BOLT	1		
	A 12	VKZ4328-001	LOCK NUT	1		
	A 13	WNS5000Z	WASHER	1		
	A 14	GE40130-001A	HOOK	2		
	A 15	RM-RK50	REMOCON	1		
	A 16	-----	LI BATTERY	1		
	A 17	FSJB3002-00C	HARD CASE	1		
	A 18	GE20126-001A	MOUNTING SLEEVE	1		
	A 19	GE20127-005A	TRIM PLATE	1		
	A 20	QAM0306-001	16P CORD ASS'Y	1		
	KIT	KSFX480K-SCREW1	SCREW PARTS KIT	1	A10~A14	