

2 Wiring connections

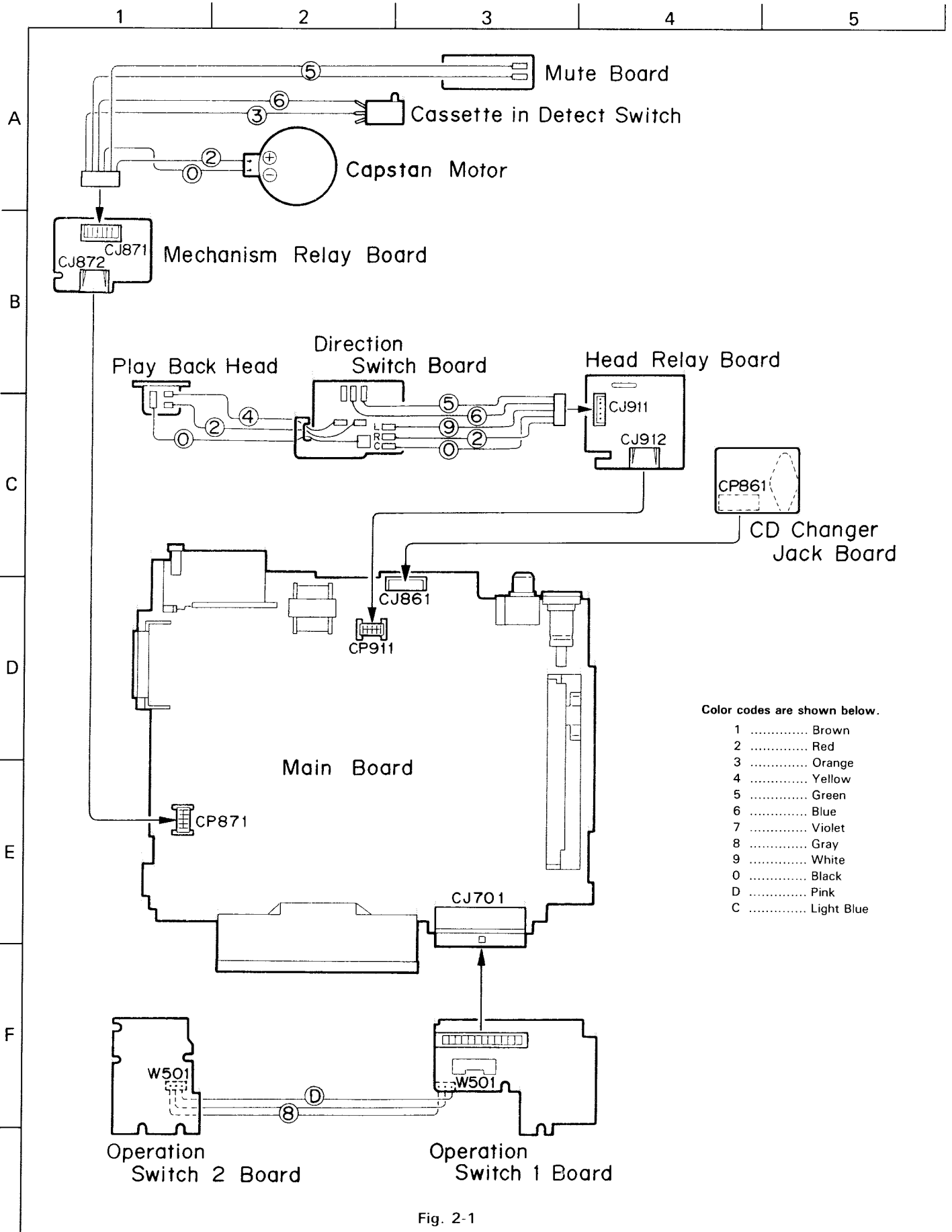


Fig. 2-1

3 Block diagram

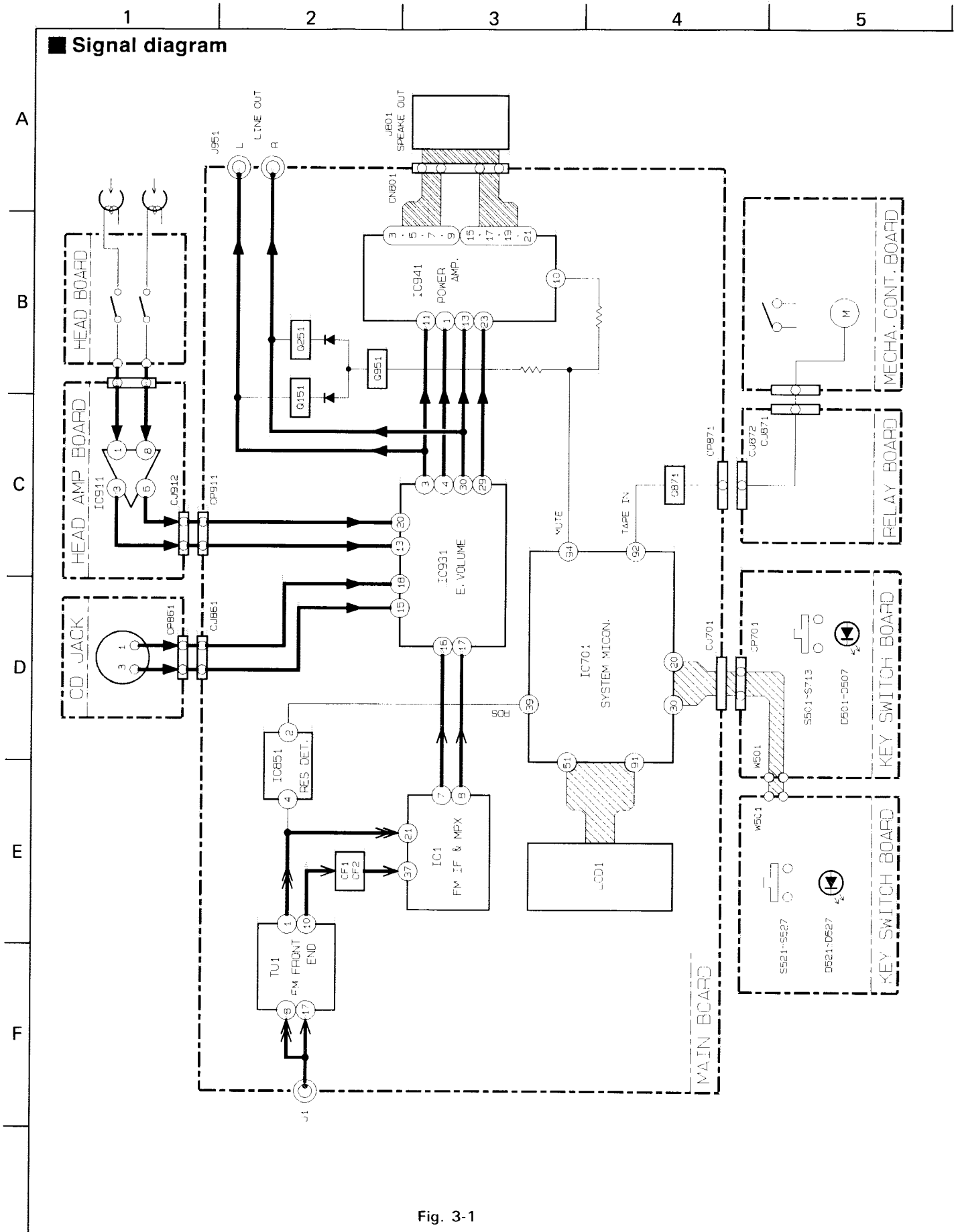
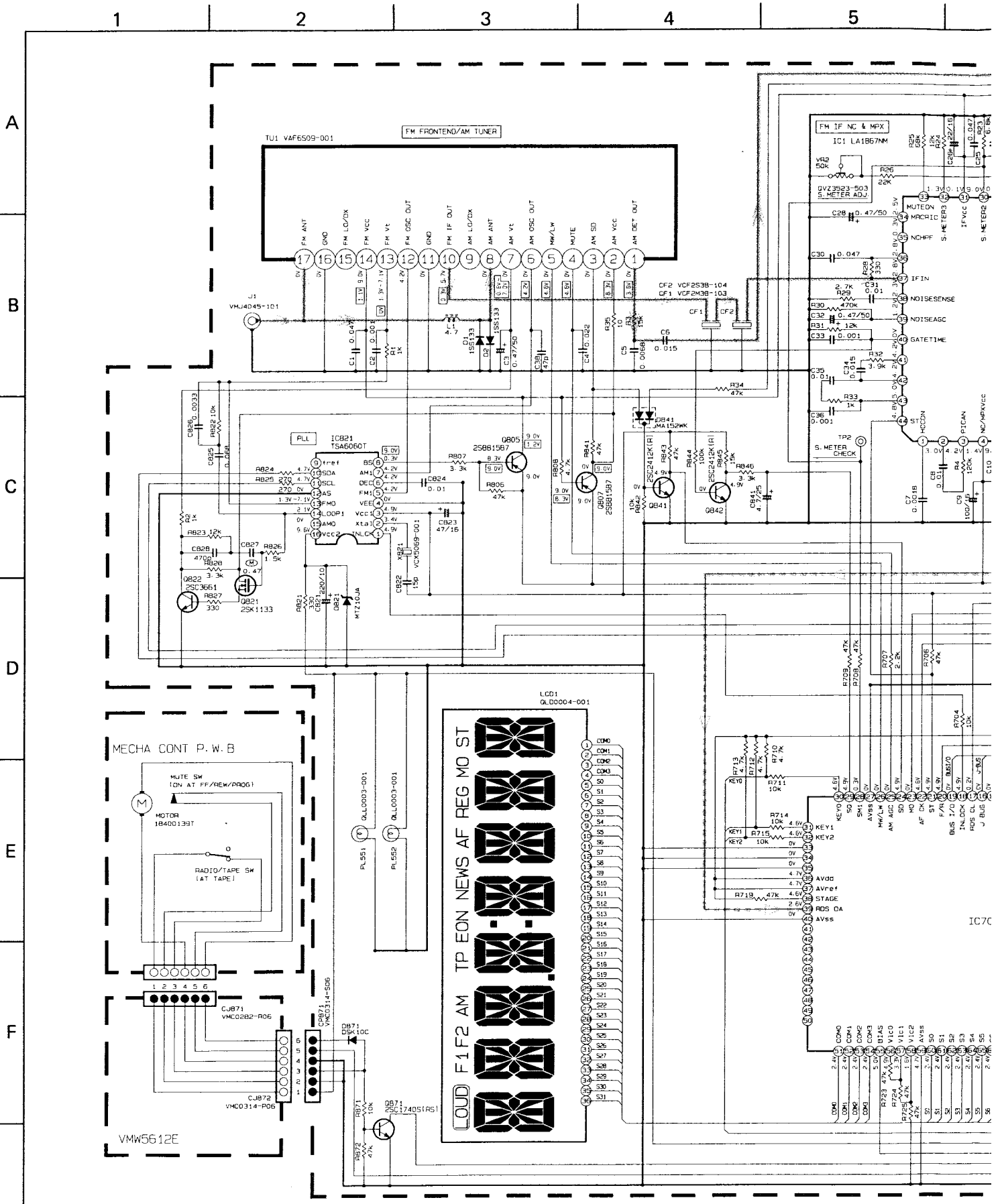


Fig. 3-1

Tuner/system control circuit



Note : VDH3785002CV

Fig. 4-2

6

7

8

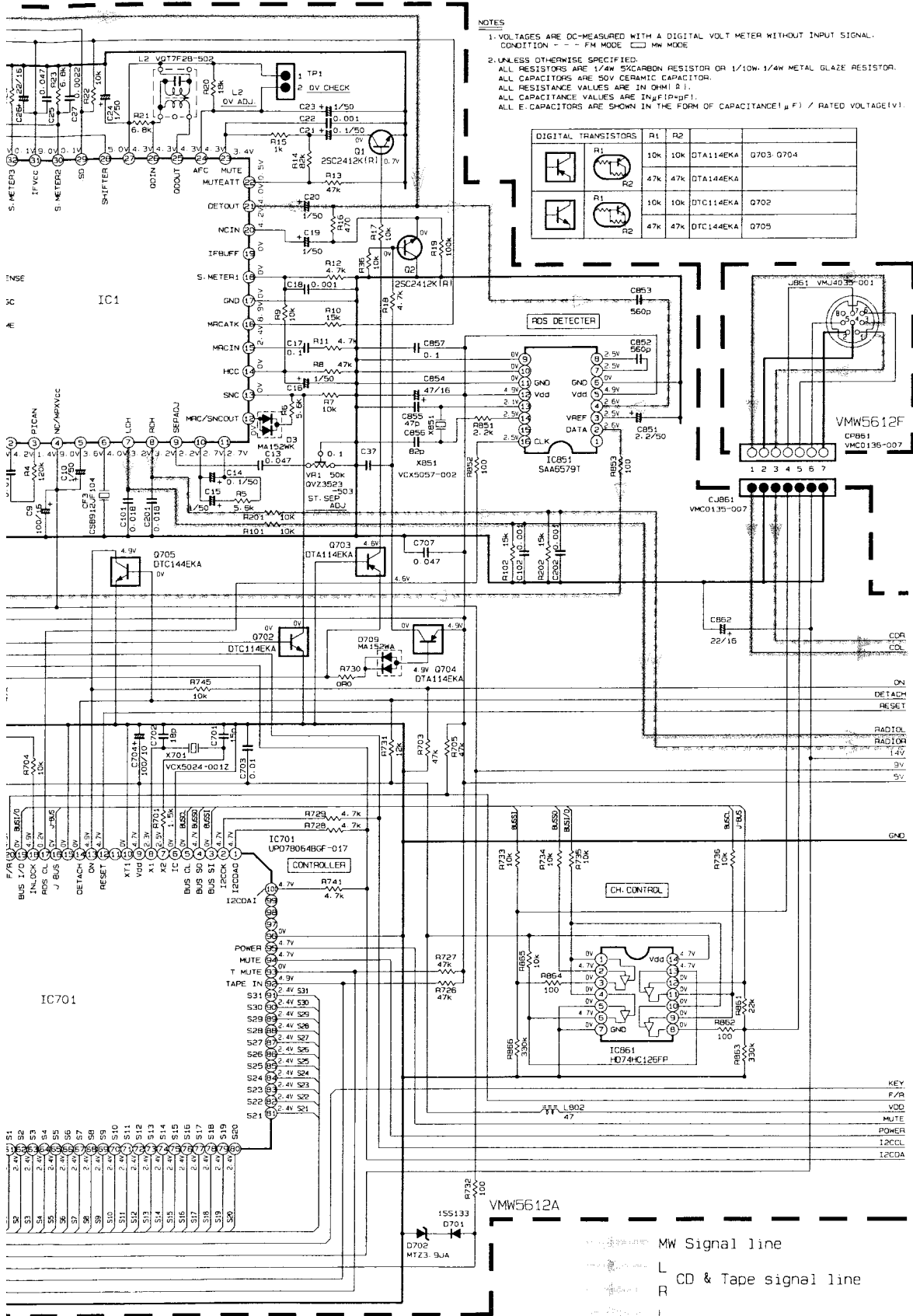
9

10

NOTES

1. VOLTAGES ARE DC-MEASURED WITH A DIGITAL VOLT METER WITHOUT INPUT SIGNAL.
CONDITION - - - FM MODE □ MW MODE
2. UNLESS OTHERWISE SPECIFIED:
ALL RESISTORS ARE 1/4W 5% CARBON RESISTOR OR 1/10W 1/4W METAL GLAZE RESISTOR.
ALL CAPACITORS ARE 50V CERAMIC CAPACITOR.
ALL RESISTANCE VALUES ARE IN OHMS (Ω).
ALL CAPACITANCE VALUES ARE IN μF (μF) / RATED VOLTAGE (V).
ALL E-CAPACITORS ARE SHOWN IN THE FORM OF CAPACITANCE (μF) / RATED VOLTAGE (V).

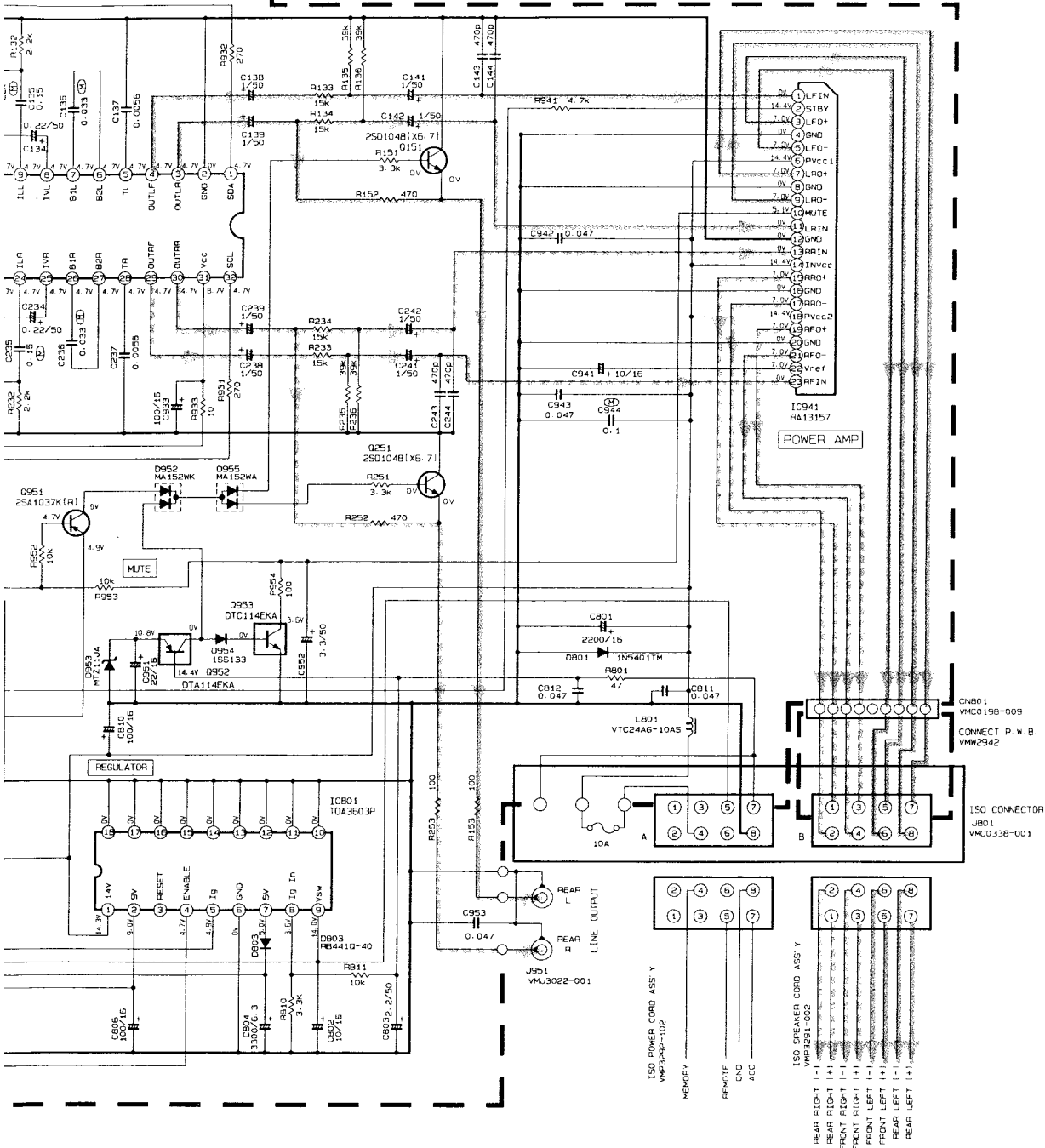
DIGITAL TRANSISTORS		R1	R2		
		10k	10k	DTA114EKA	Q703-Q704
		47k	47k	DTA144EKA	Q702
		10k	10k	DTC114EKA	Q705
		47k	47k	DTC144EKA	Q705



To E-1 on page 8

NOTES

1. VOLTAGES ARE DC-MEASURED WITH A DIGITAL VOLT METER WITHOUT INPUT SIGNAL CONDITION - FM MODE
2. UNLESS OTHERWISE SPECIFIED:
 ALL RESISTORS ARE 1/4W 5% CARBON RESISTOR OR 1/4W 1/10W 5% METAL GLAZE RESISTOR.
 ALL CAPACITORS ARE 50V CERAMIC CAPACITOR.
 ALL RESISTANCE VALUES ARE IN OHMS (Ω).
 ALL CAPACITANCE VALUES ARE IN μF (μF).
 ALL E-CAPACITORS ARE SHOWN IN THE FORM OF CAPACITANCE (μF) / RATED VOLTAGE (V).
 (M) MYLAR CAPACITOR



DIGITAL TRANSISTORS		R1	R2		
	R1	10k	10k	DTA114EKA	Q952
	R2	47k	47k	DTA114EKA	
	R1	10k	10k	OTC114EKA	Q803, Q953
	R2	47k	47k	DTC114EKA	

- 150 POWER CORD ASS'Y
VMF352-102
- MEMORY
- REMOTE
- GROUND
- ACC
- 150 SPEAKER CORD ASS'Y
VMP324-002
- REAR RIGHT (-)
- FRONT RIGHT (-)
- FRONT RIGHT (+)
- FRONT LEFT (-)
- FRONT LEFT (+)
- REAR LEFT (-)
- REAR LEFT (+)
- L CD & Tape signal line
- R
- L FM Radio signal line
- R

6 Exploded view of enclosure assembly parts and parts list

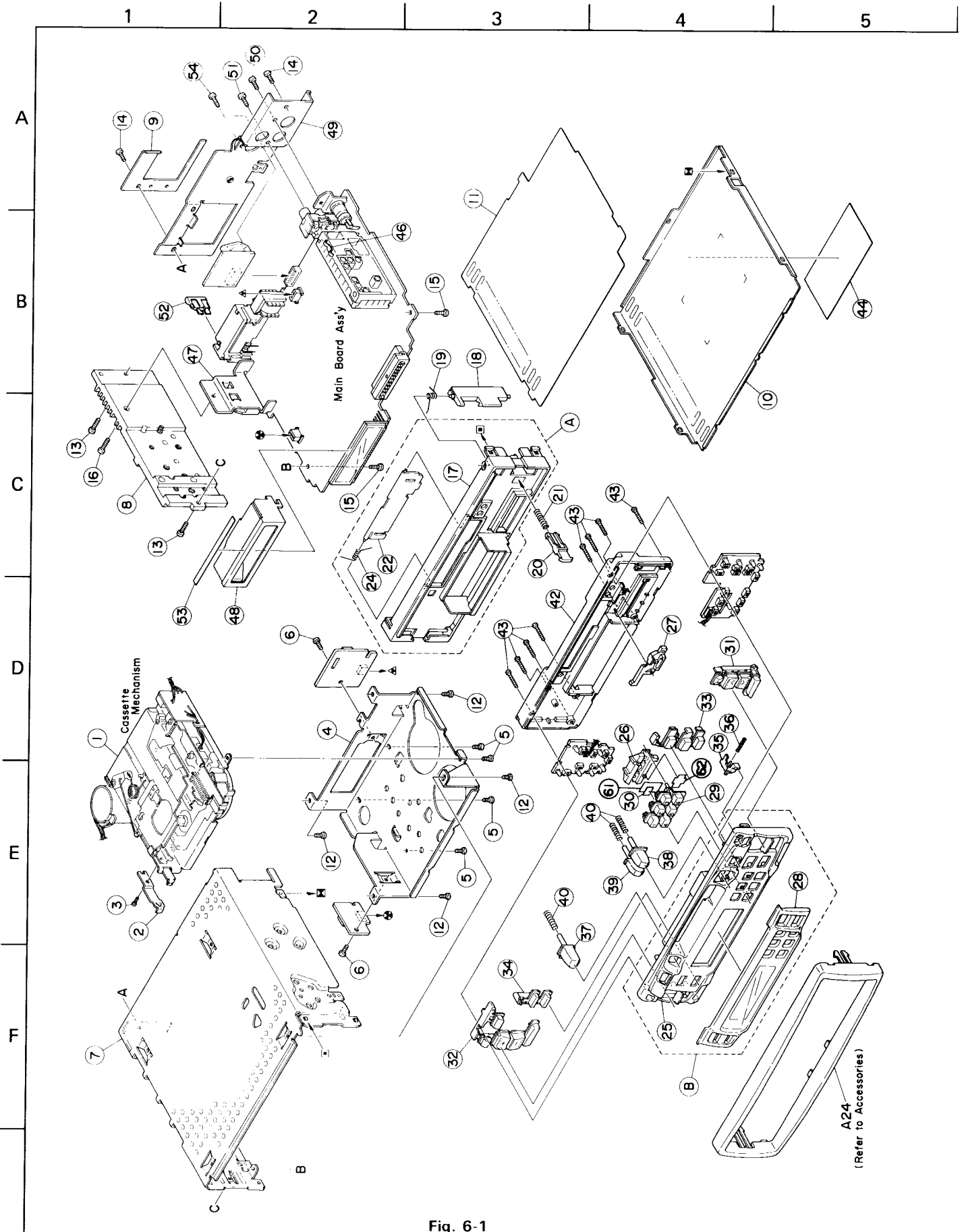


Fig. 6-1

7 Paking of illustration and parts list

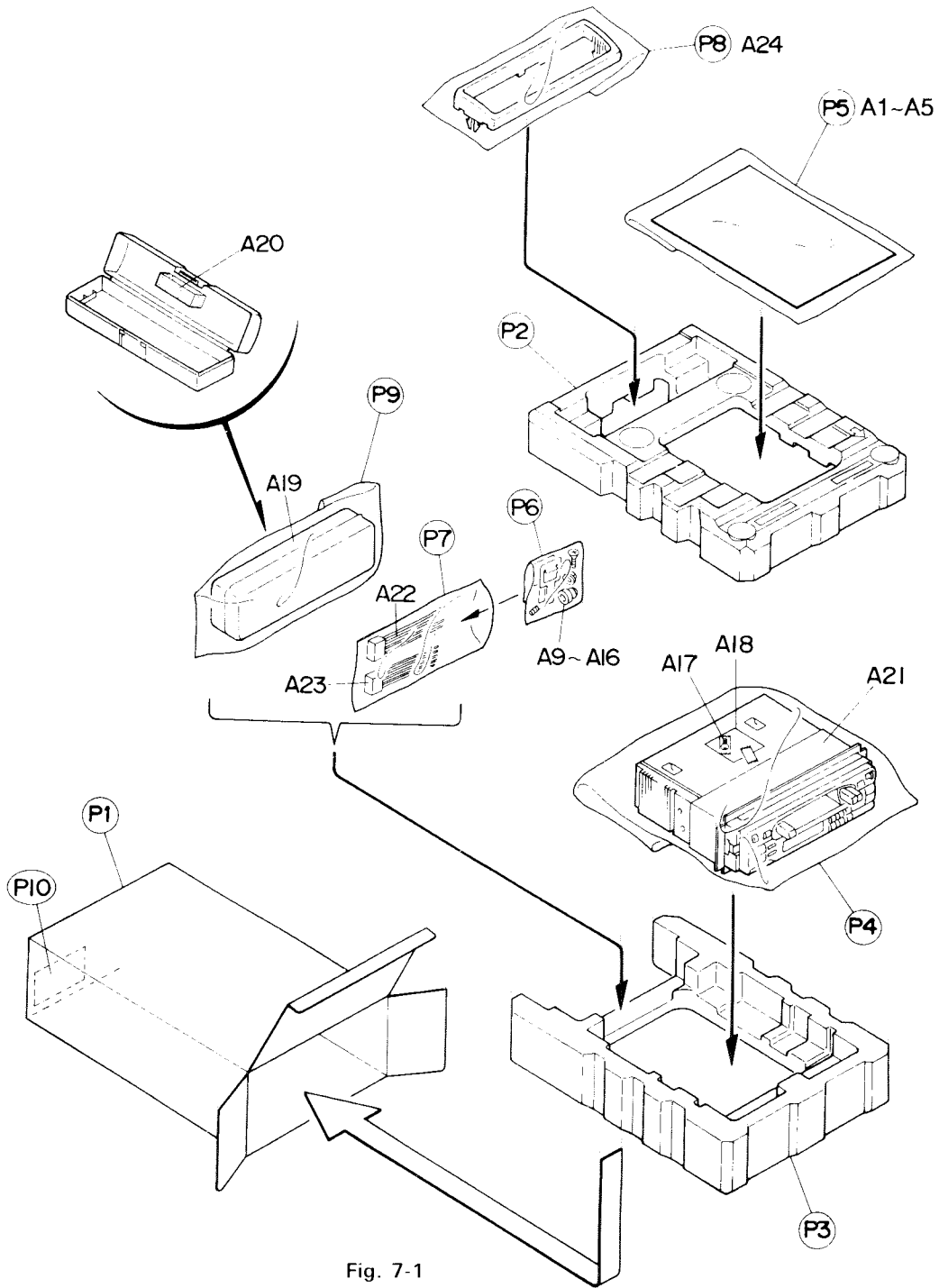


Fig. 7-1

● Packing parts list

BLOCK NO.

△	REF.	PARTS NO.	PARTS NAME	REMARKS	QTY	SUFFIX	CLR
P	1	VPC3785-S001	CARTON		1		
P	2	FSPH1003-002	CUSHION(TOP)	TOP SIDE	1		
P	3	FSPH1004-001	CUSHION(BOTTOM)	BOTTOM SIDE	1		
P	4	VPE3005-066	POLY BAG	SET	1		
P	5	QPGB017-02404	POLY BAG	INSTRUCTIONS	1		
P	6	QPGA008-01205	POLY BAG	SCREW KJT 1	1		
P	7	QPGA010-03003	POLY BAG	FOR ISO CORD	1		
P	8	QPGA010-03003	POLY BAG	FOR TRIM PLATE	1		
P	9	QPGA010-03003	POLY BAG	FOR HARD CASE	1		
P	10	-----	CARTON LABEL	CARTON(CODE39)	1		