

# PARTS LIST

[ KS-FX480 ]

\* All printed circuit boards and its assemblies are not available as service parts.

Area suffix

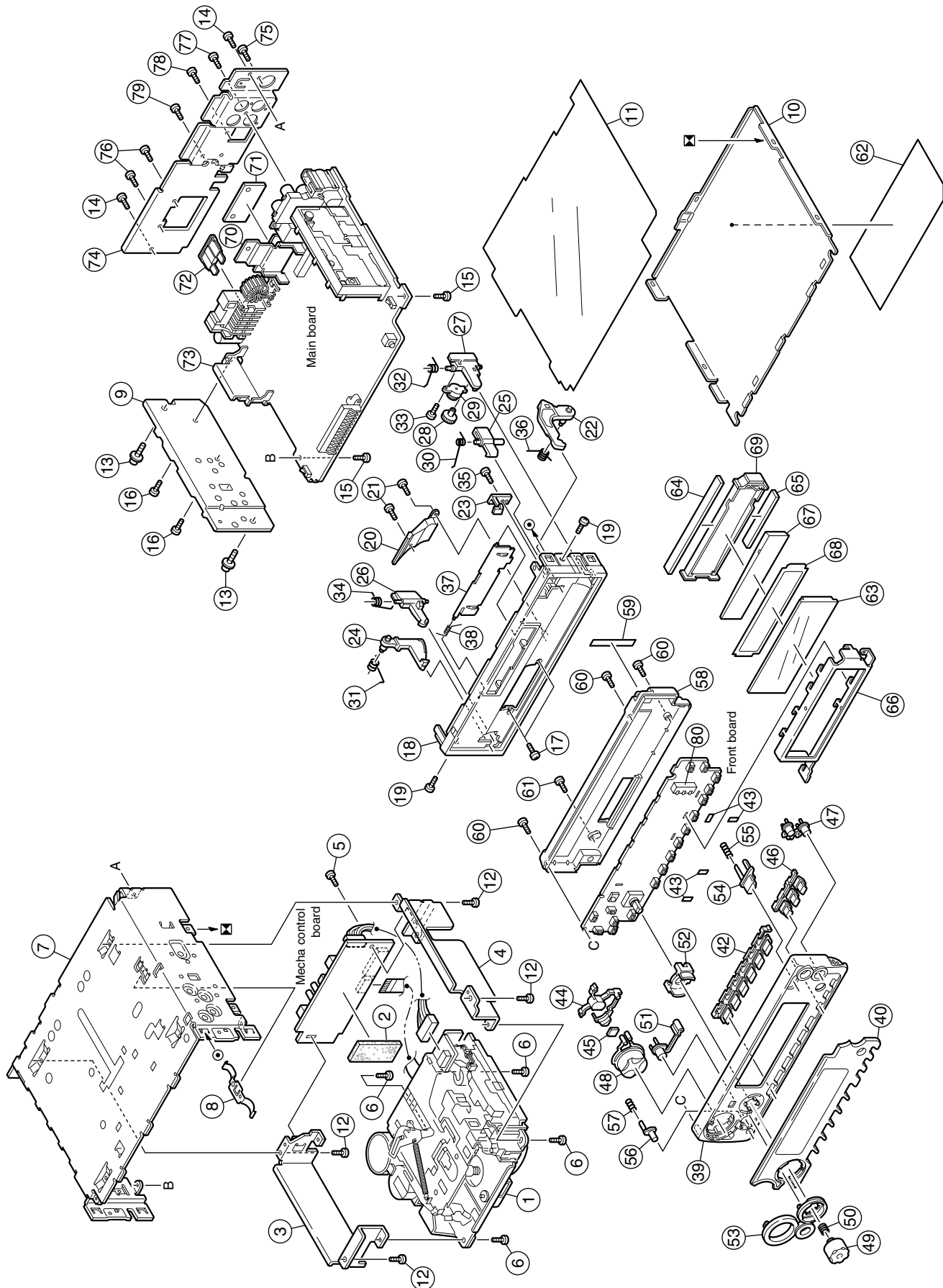
J ----- Northern America

## - Contents -

Exploded view of general assembly and parts list (Block No.M1) .....	3- 2
Cassette mechanism assembly and parts list (Block No.MP) .....	3- 5
Electrical parts list (Block No.01~03) .....	3-10
Packing materials and accessories parts list (Block No.M3,M5) .....	3-15

# Exploded view of general assembly and parts list

Block No. M 1 M M



**Parts list (General assembly)**
**Block No. M1MM**

△	Item	Parts number	Parts name	Q'ty	Description	Area
	1	-----	CASSETTE MECHA	1		
	2	FSYH4036-050	SHEET	1		
	3	FSKL2001-004	MECHA BKT(L)	1		
	4	FSKL2002-002	MECHA BKT(R)	1		
	5	QYSDST2606Z	SCREW	1		
	6	QYSDST2606Z	SCREW	4		
	7	GE10043-002A	TOP CHASSIS	1		
	8	GE40135-001A	EARTH PLATE	1		
	9	GE30568-003A	HEAT SINK	1		
	10	GE30393-001A	BOTTOM COVER	1		
	11	FSMA3005-001	INSULATOR	1		
	12	QYSDST2604Z	SCREW	4	CHASSIS+MECHA BKT	
	13	FSKZ4005-001	SCREW	2	CHASSIS+SIDE PANEL	
	14	QYSDST2604Z	SCREW	2	CHASSIS+REAR BKT	
	15	QYSDST2606Z	SCREW	2	CHASSIS+MAIN PWB	
	16	QYSDST2612Z	SCREW	2	SIDE PANEL+IC BKT	
	17	QYSDSF2006M	SCREW	2	F.CHASSIS+CONECT	
	18	GE10048-003A	FRONT CHASSIS	1		
	19	QYSPSPT2020Z	MINI SCREW	2		
	20	VJK3707-001	LIGHT LENS	1		
	21	QYSPSGU1745N	MINI SCREW	2	L.LENS+F.CHASSIS	
	22	GE30378-001A	OPEN LEVER	1		
	23	FSKS3015-001	LOCK LEVER(O.L)	1		
	24	VKS3798-002	RELEASE LEVER	1		
	25	GE30379-001A	LOCK LEVER(TOP)	1		
	26	VKS3794-003	LOCK LEVER(L)	1		
	27	VKS3795-002	LOCK LEVER(R)	1		
	28	VKS5563-001	GEAR	1		
	29	VKZ4786-002	OIL DAMPER	1		
	30	FSKW4012-001	T.SPRING	1	FOR L.LEVER(TOP)	
	31	GE40144-001A	T.SPRING	1	FOR RELEASE LEVER	
	32	VKW5262-001	T.SPRING	1	FOR L.LEVER(R)	
	33	QYSDSF2006M	SCREW	1	DAMPER+L.LEVER(R)	
	34	VKW5263-002	T.SPRING	1	FOR L.LEVER(L)	
	35	VKZ4777-001	MINI SCREW	1	LOCK LEVER(O.L.)	
	36	FSKW4013-002	T.SPRING	1	FOR OPEN LEVER	
	37	FSJC3014-001	CASSETTE LID	1		
	38	VKW4947-002	DOOR SPRING	1		
	39	GE10041-001A	FRONT PANEL	1		
	40	GE30369-009A	FINDER ASSY	1		
	42	GE20104-002A	PRESET BUTTON	1	1-6 (2 COLOUR)	
	43	FSYH4036-069	SHEET	4		
	44	GE30535-001A	POWER BUTTON	1		
	45	FSYH4036-074	SHEET	1	FOR NAV BUTTON	
	46	GE30374-001A	SND FUNC BUTTON	1		
	47	GE30370-002A	D.FUNC BUTTON	1	F/A,CD-CH	
	48	GE30371-002A	NAVIGATION BUTTON	1		
	49	GE30372-001A	VOL KNOB	1		

## ■ Parts list (General assembly)

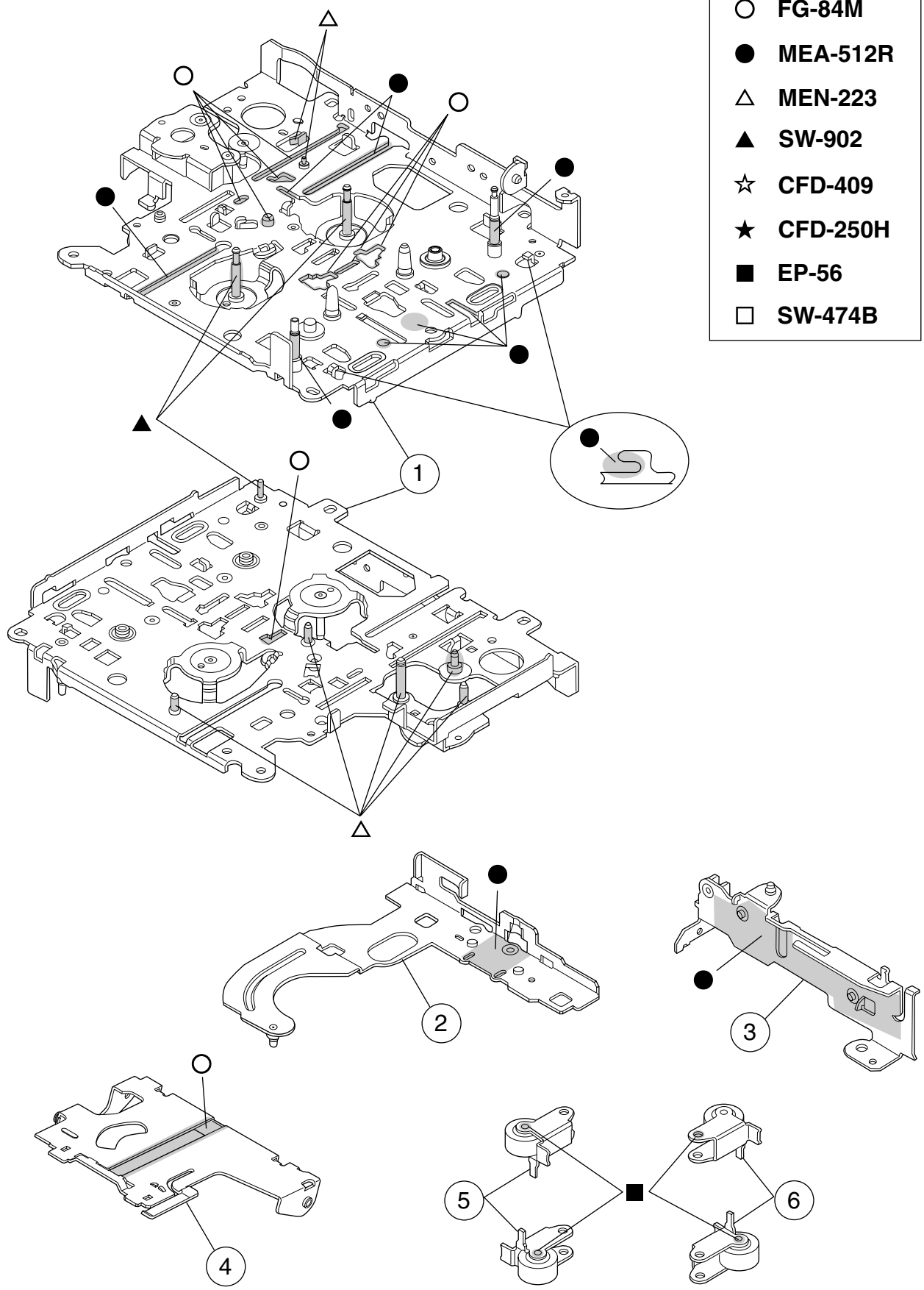
Block No. M1MM

△	Item	Parts number	Parts name	Q'ty	Description	Area
	50	GE40127-001A	KNOB SPRING	1		
	51	GE40129-001A	SEL BUTTON	1		
	52	GE30373-001A	RIM LENS	1		
	53	GE20123-001A	RIM COVER	1		
	54	GE40128-001A	EJECT BUTTON	1		
	55	VKW3001-330	COMP.SPRING	1	FOR EJECT BUTTON	
	56	GE30116-001A	DETACH BUTTON	1		
	57	VKW3001-330	COMP.SPRING	1	FOR DETACH BUTTON	
	58	GE10042-001A	REAR COVER	1		
	59	FSYH4036-078	SHEET	1	REAR COVER	
	60	VKZ4777-001	MINI SCREW	3	FRONT+REAR	
	61	VKZ4777-001	MINI SCREW	1	RIM COVER	
	62	GE30351-002A	NAME PLATE	1		
	63	QLD0217-001	LCD MODULE	1	LCD1	
	64	QNZ0449-001	RUBBER CONNE	1		
	65	QNZ0450-001	RUBBER CONNE	1		
	66	GE30375-001A	LCD CASE	1		
	67	FSJK3028-001	LCD LENS	1		
	68	FSYH4061-001	LIGHTNG SHEET	1		
	69	FSKS3013-001	LENS CASE	1		
	70	GE40103-001A	REG BRACKET	1		
	71	GE40107-001A	HEAT SINK	1		
△	72	QMFZ047-150-T	FUSE	1		
	73	GE40136-001A	IC BRACKET	1		
	74	GE30382-003A	REAR BRACKET	1		
	75	QYSDST2606Z	SCREW	1	REAR BKT+ANT JACK	
	76	QYSDST2606Z	SCREW	2	REAR BKT+16P CONECT	
	77	QYSDSF3006Z	SCREW	1	REAR BKT+PIN JACK	
	78	QYSDST2606Z	SCREW	1	REAR BKT+CD IN JACK	
	79	QYSDST2606Z	SCREW	1	REAR BKT+REG BKT	
	80	FSKS3017-002	LED HOLDER	1		

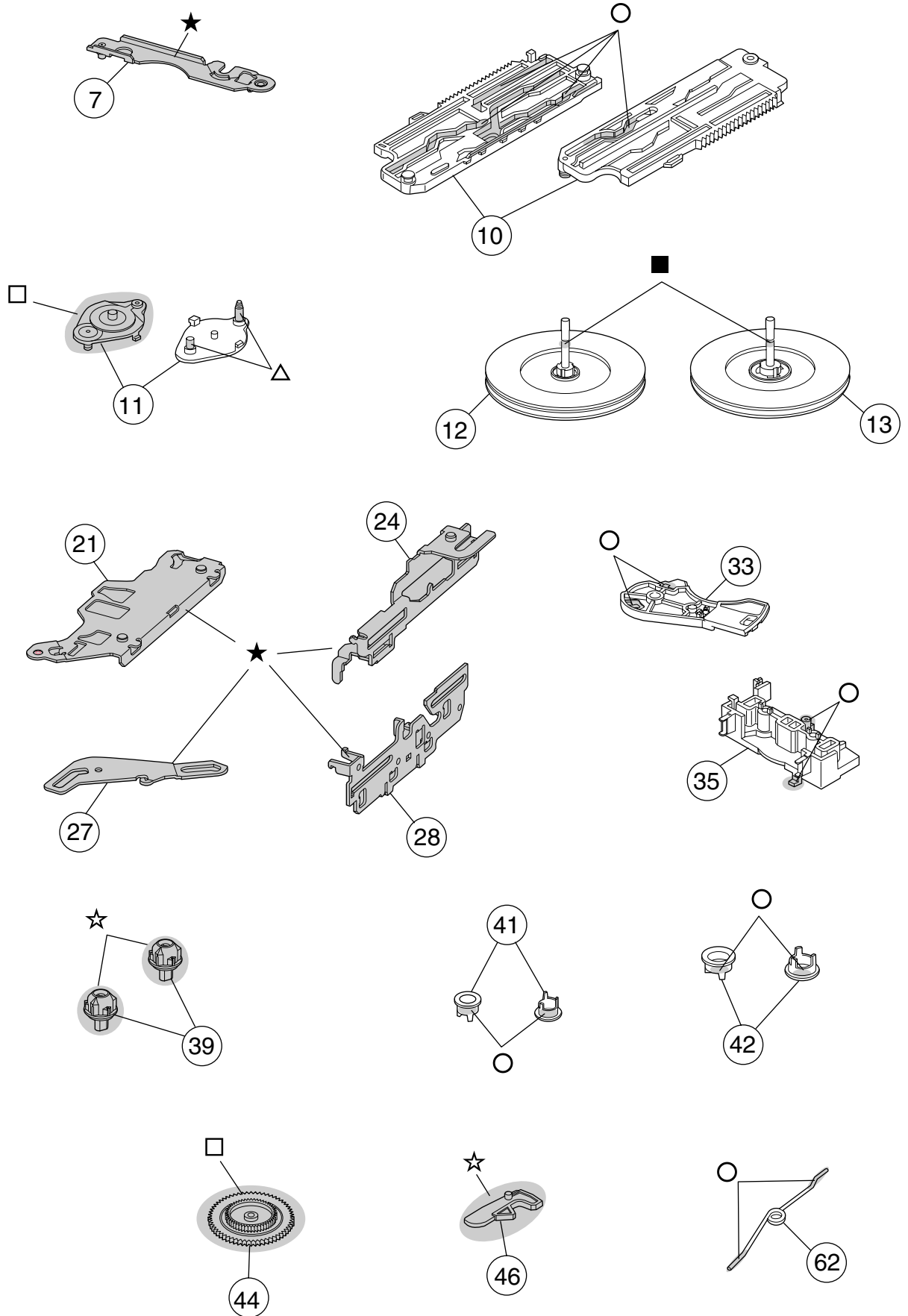


# Grease point 1/2

- FG-84M
- MEA-512R
- △ MEN-223
- ▲ SW-902
- ☆ CFD-409
- ★ CFD-250H
- EP-56
- SW-474B



# Grease point 2/2



## ■ Parts list (Cassette mechanism)

Block No. MPMM

△	Item	Parts number	Parts name	Q'ty	Description	Area
	1	X-0802-1009S	MAIN CHASSIS AS	1		
	2	X-0802-1002S	SLIDE CHASSIS A	1		
	3	X-0802-1003S	SIDE BKT ASSY	1		
	4	X-0802-1004S	CASSETTE HANGER	1		
	5	X-0802-1005S	PINCH ARM F ASS	1		
	6	X-0802-1006S	PINCH ARM R ASS	1		
	7	X-0802-1007S	GEARBASE LINK A	1		
	10	X-0802-2001S	MODE RACK ASSY	1		
	11	X-0802-2002S	GEAR BASE ASSY	1		
	12	1-0802-6001S	FLYWHEEL ASSY F	1		
	13	1-0802-6002S	FLYWHEEL ASSY R	1		
	16	X-0802-7002S	SUB MOTOR ASSY	1		
	17	X-0802-7004S	MAIN MOTOR ASSY	1		
	21	1-0802-1002S	DIRECTION PLATE	1		
	22	1-0802-1005S	DIRECTION LINK	1		
	23	1-0802-1006S	CASSETTE HOLDER	1		
	24	1-0802-1011S	EJECT CAM LIMIT	1		
	25	1-0802-1012S	HEAD SUPPORT SP	1		
	26	1-0802-1013S	PINCH SPG ARM	1		
	27	1-0802-1014S	LOAD ARM	1		
	28	1-0802-1015S	EJECT CAM PLATE	1		
	30	1-0801-1020S	REINFORCE BKT	1		
	31	1-0101-2056S	IDLE PULLEY(A1)	1		
	32	1-0802-2001S	CASSETTE GUIDE	1		
	33	1-0802-2004S	GEAR BASE ARM	1		
	34	1-0802-2006S	LOAD RACK	1		
	35	1-0802-2007S	TAPE GUIDE	1		
	37	1-0802-2009S	REDUCTION GEAR	1	A	
	38	1-0802-2010S	REEL SPINDLE	2		
	39	1-0802-2011S	REEL DRIVER	2		
	40	1-0802-2012S	REDUCTION GEAR	1	B	
	41	1-0802-2013S	SPG HOLDER F	1		
	42	1-0802-2014S	SPG HOLDER R	1		
	43	1-0802-2015S	MODE GEAR	1		
	44	1-0802-2016S	TAKE UP GEAR	1		
	45	1-0802-2017S	REFLECTOR GEAR	1		
	46	1-0802-2018S	RACK LINK	1		
	47	1-0802-2019S	MODE SW ACTUATR	1		
	48	1-0802-2020S	FRICTION GEAR	1	PLAY	
	49	1-0802-2021S	FRICTION GEAR	1	FF	
	50	1-0802-2022S	CASSETTE CATCH	1		
	51	1-0802-2026S	FFC PAD	1		
	59	1-0802-4001S	EJECT CAM PL SP	1		
	60	1-0802-4002S	TU SPG	1		
	61	1-0802-4003S	FF SPG	1		
	62	1-0802-4004S	PINCH ARM SPG	1		
	63	1-0802-4005S	HOLDER STAB SPG	1		
	64	1-0802-4006S	HOLDER CUSH SPG	1		



**Parts list (Cassette mechanism)**

Block No. MPMM

△	Item	Parts number	Parts name	Q'ty	Description	Area
	65	1-0802-4007S	GEAR BASE SPG	1		
	66	1-0802-4008S	REEL DRIVER SPG	2		
	67	1-0802-4013S	COMPULSION SPG	1		
	71	1-0802-5001S	BELT	1		
	72	1-0802-5002S	FELT	1	7.5*18.5*1.0	
	73	1-0802-5003S	AZIMUTH SCREW	2		
	74	1-0802-5004S	FELT	1	11*18.5*1.0	
	75	1-0050-5023S	WIRE CLAMPER	1		
	82	1-0802-7001S	REEL PCB DL	1		
	83	1-0802-7010S	SWITCH(MATSUSIT	1	ESE22MH32	
	84	1-0802-7003S	SWITCH(MIC)	1	MPU11750MLB0	
	85	1-0802-7016S	FLAT CABLE 10P	1	10P-JVC	
	86	1-0801-7024S	PHOTO SENSOR(MA	1	ON2170-QR FS	
	87	1-0802-7009S	SWITCH(MIC)	1	MPU12370MLB0	
	91	1-0802-7007S	HEAD(MITSUMI)	1	P-5344-CB-4152	
	93	1-0801-7009-0S	M.MOTOR WIRE	1	BLACK	
	94	1-0801-7009-1S	M.MOTOR WIRE	1	RED	
	97	1-0802-7012-0S	HEAD WIRE	1	BLACK	
	98	1-0802-7012-1S	HEAD WIRE	1	BROWN	
	99	1-0802-7012-2S	HEAD WIRE	1	RED	
	100	1-0802-7012-3S	HEAD WIRE	1	ORANGE	
	101	1-0802-7012-4S	HEAD WIRE	1	YELLOW	
	102	1-0802-7012-5S	HEAD WIRE	1	WHITE	
	103	1-0802-7008S	HEAD PCB	1		
	104	1-0801-7025S	CONNECTOR	1	S6B-PH-K-S(JST)	
	106	2-1032-0025-C2S	SCREW	2	M2*2.5 #3	
	107	2-13S2-0025-P2S	+PLAIN SCREW	2	M2*2.5 #2S	
	108	2-1112-6035-C2S	+PLAIN SCREW	1	M2.6*3.5 #3	
	109	2-1816-0032-E8S	LMW-S	2	1.6*3.2*0.35	
	110	2-1812-0032-D2S	PSW-S	1	1.2*3.2*0.25	
	111	1-0036-5024S	PSW-S(REEL B)	3	1.5*3.2*0.25	
	113	2-1821-0040-D1S	PSW	2	2.1*4.0*0.25	
	114	2-1821-0040-D2S	PSW-S	3	2.1*4.0*0.25	
	116	2-1711-5040-16S	E RING	1		
	117	2-1031-7030-C2S	SCREW	2	M1.7*3.0 #3	
	118	2-1332-0035-P1S	SCREW	1	M2*3.5	

## ■ Electrical parts list (Main board)

Block No. 01

△	Item	Parts number	Parts name	Remarks	Area	△	Item	Parts number	Parts name	Remarks	Area
C	1	QERF1CM-106Z	E CAPACITOR	10MF 20% 16V		C	341	QCBB1HK-471Y	C CAPACITOR	470PF 10% 50V	
C	2	QERF1CM-106Z	E CAPACITOR	10MF 20% 16V		C	342	QERF1HM-225Z	E CAPACITOR	2.2MF 20% 50V	
C	4	QDVB1EZ-223Y	C CAPACITOR			C	351	QCBB1HK-471Y	C CAPACITOR	470PF 10% 50V	
C	6	QDYB1CM-103Y	C CAPACITOR			C	352	QERF1HM-225Z	E CAPACITOR	2.2MF 20% 50V	
C	8	QCBB1HK-121Y	C CAPACITOR	120PF 10% 50V		C	361	QCBB1HK-223Y	C CAPACITOR	.022MF 10% 50V	
C	9	QEKJ1HM-104Z	E CAPACITOR	.10MF 20% 50V		C	362	QCBB1HK-223Y	C CAPACITOR	.022MF 10% 50V	
C	10	QDGB1HK-102Y	C CAPACITOR			C	701	QDUB1HJ-270Y	C CAPACITOR		
C	12	QDYB1CM-103Y	C CAPACITOR			C	702	QDCB1HJ-220Y	C CAPACITOR		
C	13	QERF1AM-227Z	E CAPACITOR	220MF 20% 10V		C	703	QERF1CM-106Z	E CAPACITOR	10MF 20% 16V	
C	14	QCSB1HJ-560Y	C CAPACITOR	56PF 5% 50V		C	704	QERF0JM-107Z	E CAPACITOR	100MF 20% 6.3V	
C	15	QDXB1CM-122Y	C CAPACITOR			C	705	QFV61HJ-224Z	MF CAPACITOR	.22MF 5% 50V	
C	17	QDXB1CM-472Y	C CAPACITOR			C	706	QCFB1HZ-104Y	C CAPACITOR	.10MF +80:-20%	
C	31	QEKJ1HM-104Z	E CAPACITOR	.10MF 20% 50V		C	707	QCFB1HZ-104Y	C CAPACITOR	.10MF +80:-20%	
C	32	QEKJ1HM-104Z	E CAPACITOR	.10MF 20% 50V		C	708	QDYB1CM-103Y	C CAPACITOR		
C	33	QEQF1HM-225Z	NP E CAPACITOR	2.2MF 20% 50V		C	709	QCFB1HZ-104Y	C CAPACITOR	.10MF +80:-20%	
C	34	QDGB1HK-102Y	C CAPACITOR			C	781	QERF1AM-227Z	E CAPACITOR	220MF 20% 10V	
C	35	QERF1AM-227Z	E CAPACITOR	220MF 20% 10V		C	782	QERF1CM-476Z	E CAPACITOR	47MF 20% 16V	
C	81	QDX11EK-273Z	C CAPACITOR			C	801	QCFB1HZ-473Y	C CAPACITOR	.047MF +80:-20%	
C	82	QERF1HM-105Z	E CAPACITOR	1.0MF 20% 50V		C	881	QERF1CM-226Z	E CAPACITOR	22MF 20% 16V	
C	91	QDX11EK-273Z	C CAPACITOR			C	882	QCBB1HK-471Y	C CAPACITOR	470PF 10% 50V	
C	92	QERF1HM-105Z	E CAPACITOR	1.0MF 20% 50V		C	901	QEZ0518-228	E CAPACITOR	2200MF	
C	162	QERF1HM-105Z	E CAPACITOR	1.0MF 20% 50V		C	902	QERF1CM-106Z	E CAPACITOR	10MF 20% 16V	
C	163	QERF1HM-105Z	E CAPACITOR	1.0MF 20% 50V		C	903	QERF1AM-227Z	E CAPACITOR	220MF 20% 10V	
C	164	QFLA1HJ-822Z	M CAPACITOR	8200PF 5% 50V		C	904	QERF1AM-227Z	E CAPACITOR	220MF 20% 10V	
C	165	QFV61HJ-154Z	MF CAPACITOR	.15MF 5% 50V		C	905	QERF1CM-106Z	E CAPACITOR	10MF 20% 16V	
C	166	QFV61HJ-224Z	MF CAPACITOR	.22MF 5% 50V		C	906	QERF1CM-106Z	E CAPACITOR	10MF 20% 16V	
C	167	QFV61HJ-333Z	MF CAPACITOR	.033MF 5% 50V		C	907	QERF1CM-106Z	E CAPACITOR	10MF 20% 16V	
C	168	QFLK1HJ-562Z	M CAPACITOR	5600PF 5% 50V		C	909	QFV61HJ-224Z	MF CAPACITOR	.22MF 5% 50V	
C	172	QERF1HM-105Z	E CAPACITOR	1.0MF 20% 50V		C	910	QFV11HJ-334AZ	MF CAPACITOR	.33MF 5% 50V	
C	173	QERF1HM-105Z	E CAPACITOR	1.0MF 20% 50V		C	911	QFV61HJ-104Z	MF CAPACITOR	.10MF 5% 50V	
C	174	QFLA1HJ-822Z	M CAPACITOR	8200PF 5% 50V		C	912	QEZ0423-228	E CAPACITOR	2200MF	
C	175	QFV61HJ-154Z	MF CAPACITOR	.15MF 5% 50V		C	J321	QNN0489-001	PIN JACK		
C	176	QFV61HJ-224Z	MF CAPACITOR	.22MF 5% 50V		C	J701	QNZ0007-002	CAR CONNECTOR		
C	177	QFV61HJ-333Z	MF CAPACITOR	.033MF 5% 50V		C	CP701	QGB1214J1-18S	CONNECTOR		
C	178	QFLK1HJ-562Z	M CAPACITOR	5600PF 5% 50V		C	CP801	QNZ0095-001	CONNECTOR		
C	181	QERF1HM-105Z	E CAPACITOR	1.0MF 20% 50V		C	CP981	QNZ0002-001	JACK UNIT		
C	182	QERF1HM-105Z	E CAPACITOR	1.0MF 20% 50V		D	1	1SS133-T2	SI DIODE		
C	191	QERF1HM-105Z	E CAPACITOR	1.0MF 20% 50V		D	2	1SS133-T2	SI DIODE		
C	192	QERF1HM-105Z	E CAPACITOR	1.0MF 20% 50V		D	3	1SS254-T2	SI DIODE		
C	195	QERF1CM-476Z	E CAPACITOR	47MF 20% 16V		D	4	1SS254-T2	SI DIODE		
C	196	QERF1AM-107Z	E CAPACITOR	100MF 20% 10V		D	31	MTZJ9.1C-T2	Z DIODE		
C	197	QERF1AM-107Z	E CAPACITOR	100MF 20% 10V		D	32	1SS133-T2	SI DIODE		
C	198	QDYB1CM-103Y	C CAPACITOR			D	241	RB721Q-T2	SB DIODE		
C	199	QCBB1HK-471Y	C CAPACITOR	470PF 10% 50V		D	242	RB721Q-T2	SB DIODE		
C	241	QEKJ1HM-105Z	E CAPACITOR	1.0MF 20% 50V		D	310	1SS133-T2	SI DIODE		
C	242	QEKJ1CM-226Z	E CAPACITOR	22MF 20% 16V		D	321	1SS254-T2	SI DIODE		
C	243	QCFB1HZ-473Y	C CAPACITOR	.047MF +80:-20%		D	341	1SS254-T2	SI DIODE		
C	244	QERF1HM-474Z	E CAPACITOR	.47MF 20% 50V		D	704	1SS133-T2	SI DIODE		
C	301	QERF1CM-106Z	E CAPACITOR	10MF 20% 16V		D	705	MTZJ5.6B-T2	Z DIODE	REMOCON	
C	302	QERF1HM-225Z	E CAPACITOR	2.2MF 20% 50V		D	706	MTZJ5.6B-T2	Z DIODE	ENC1	
C	303	QERF1EM-475Z	E CAPACITOR	4.7MF 20% 25V		D	707	MTZJ5.6B-T2	Z DIODE	ENC2	
C	304	QCBB1HK-223Y	C CAPACITOR	.022MF 10% 50V		D	708	MTZJ5.6B-T2	Z DIODE	LCDCE	
C	313	QERF1EM-475Z	E CAPACITOR	4.7MF 20% 25V		D	709	MTZJ5.6B-T2	Z DIODE	LCD50	
C	314	QERF1EM-475Z	E CAPACITOR	4.7MF 20% 25V		D	710	MTZJ5.6B-T2	Z DIODE	LCD5CK	
C	315	QERF1CM-226Z	E CAPACITOR	22MF 20% 16V		D	711	MTZJ5.6B-T2	Z DIODE	KEY2	
C	316	QCFB1HZ-104Y	C CAPACITOR	.10MF +80:-20%		D	712	MTZJ5.6B-T2	Z DIODE	KEY1	
C	317	QCFB1HZ-104Y	C CAPACITOR	.10MF +80:-20%		D	713	MTZJ5.6B-T2	Z DIODE	KEY0	
C	318	QCFB1HZ-104Y	C CAPACITOR	.10MF +80:-20%		D	715	MTZJ5.6B-T2	Z DIODE	ACC5V	
C	319	QCFB1HZ-104Y	C CAPACITOR	.10MF +80:-20%		D	753	SLR-56MC3F	PIROT LAMP		
C	321	QCBB1HK-471Y	C CAPACITOR	470PF 10% 50V		D	781	1SS254-T2	SI DIODE		
C	322	QERF1HM-225Z	E CAPACITOR	2.2MF 20% 50V		D	782	MTZJ11B-T2	Z DIODE		
C	331	QCBB1HK-471Y	C CAPACITOR	470PF 10% 50V		D	901	1N5401-F64	SI DIODE		
C	332	QERF1HM-225Z	E CAPACITOR	2.2MF 20% 50V		D	903	1A3G-T1	SI DIODE		

■ Electrical parts list (Main board)

Block No. 01

Item	Parts number	Parts name	Remarks	Area
D 904	1A3G-T1	SI DIODE		
D 908	1SS254-T2	SI DIODE		
D 909	1SS254-T2	SI DIODE		
IC161	TEA6320T-X	IC		
IC301	LA47503	IC		
IC701	LC72366-9A81	IC		
IC801	HD74HC126P	IC		
IC901	AN80T05	IC		
IC902	KIA7810PI	10V REGULATOR		
J 1	QNB0100-002	ANT TERMINAL		
L 1	QQL231K-4R7Y	INDUCTOR		
L 901	QQR0703-001	CHOKE COIL		
L 902	QQL231K-470Y	INDUCTOR		
Q 1	KTA1267/YG/-T	TRANSISTOR		
Q 2	2SA1706/ST/-T	TRANSISTOR		
Q 3	KRC102M-T	D TRANSISTOR		
Q 4	KRC102M-T	D TRANSISTOR		
Q 31	KTC3199/GL/-T	TRANSISTOR		
Q 32	KTC3199/GL/-T	TRANSISTOR		
Q 241	KTC3199/GL/-T	TRANSISTOR		
Q 301	KRC102M-T	D TRANSISTOR		
Q 321	2SD2144S/VW/-T	TRANSISTOR	REAR	
Q 331	2SD2144S/VW/-T	TRANSISTOR	FRONT	
Q 341	2SD2144S/VW/-T	TRANSISTOR	FRONT	
Q 351	2SD2144S/VW/-T	TRANSISTOR	REAR	
Q 701	KTC3199/GL/-T	TRANSISTOR		
Q 781	KRA102M-T	D TRANSISTOR		
Q 782	KRA102M-T	D TRANSISTOR		
Q 881	KRC102M-T	D TRANSISTOR		
Q 901	KTA1267/YG/-T	TRANSISTOR		
Q 902	KRC102M-T	D TRANSISTOR		
Q 903	KRA102M-T	D TRANSISTOR		
Q 904	KRC102M-T	D TRANSISTOR		
Q 905	2SA1855/RST	TRANSISTOR		
Q 906	KRC102M-T	D TRANSISTOR		
Q 907	KTA1267/YG/-T	TRANSISTOR		
Q 930	KTA1267/YG/-T	TRANSISTOR		
Q 976	KTA1267/YG/-T	TRANSISTOR		
Q 977	KTC3199/GL/-T	TRANSISTOR		
R 1	QRE141J-100Y	C RESISTOR	10 5% 1/4W	
R 2	QRE141J-103Y	C RESISTOR	10K 5% 1/4W	
R 3	QRE141J-103Y	C RESISTOR	10K 5% 1/4W	
R 4	QRE141J-222Y	C RESISTOR	2.2K 5% 1/4W	
R 5	QRE141J-102Y	C RESISTOR	1.0K 5% 1/4W	
R 6	QRE141J-820Y	C RESISTOR	82 5% 1/4W	
R 7	QRE141J-103Y	C RESISTOR	10K 5% 1/4W	
R 8	QRE141J-822Y	C RESISTOR	8.2K 5% 1/4W	
R 9	QRE141J-223Y	C RESISTOR	22K 5% 1/4W	
R 10	QRE141J-6R8Y	C RESISTOR	6.8 5% 1/4W	
R 31	QRE141J-102Y	C RESISTOR	1.0K 5% 1/4W	
R 32	QRE141J-102Y	C RESISTOR	1.0K 5% 1/4W	
R 33	QRE141J-102Y	C RESISTOR	1.0K 5% 1/4W	
R 34	QRE141J-103Y	C RESISTOR	10K 5% 1/4W	
R 35	QRE141J-152Y	C RESISTOR	1.5K 5% 1/4W	
R 36	QRE141J-471Y	C RESISTOR	470 5% 1/4W	
R 81	QRE141J-472Y	C RESISTOR	4.7K 5% 1/4W	
R 82	QRE141J-392Y	C RESISTOR	3.9K 5% 1/4W	
R 91	QRE141J-472Y	C RESISTOR	4.7K 5% 1/4W	
R 92	QRE141J-392Y	C RESISTOR	3.9K 5% 1/4W	
R 161	QRE141J-223Y	C RESISTOR	22K 5% 1/4W	
R 162	QRE141J-222Y	C RESISTOR	2.2K 5% 1/4W	
R 163	QRE141J-392Y	C RESISTOR	3.9K 5% 1/4W	
R 164	QRE141J-122Y	C RESISTOR	1.2K 5% 1/4W	

Item	Parts number	Parts name	Remarks	Area
R 165	QRE141J-473Y	C RESISTOR	47K 5% 1/4W	
R 166	QRE141J-473Y	C RESISTOR	47K 5% 1/4W	
R 171	QRE141J-223Y	C RESISTOR	22K 5% 1/4W	
R 172	QRE141J-222Y	C RESISTOR	2.2K 5% 1/4W	
R 173	QRE141J-392Y	C RESISTOR	3.9K 5% 1/4W	
R 174	QRE141J-122Y	C RESISTOR	1.2K 5% 1/4W	
R 175	QRE141J-473Y	C RESISTOR	47K 5% 1/4W	
R 176	QRE141J-473Y	C RESISTOR	47K 5% 1/4W	
R 195	QRE141J-100Y	C RESISTOR	10 5% 1/4W	
R 241	QRE141J-154Y	C RESISTOR	150K 5% 1/4W	
R 242	QRE141J-154Y	C RESISTOR	150K 5% 1/4W	
R 243	QRE141J-184Y	C RESISTOR	180K 5% 1/4W	
R 244	QRE141J-183Y	C RESISTOR	18K 5% 1/4W	
R 245	QRE141J-123Y	C RESISTOR	12K 5% 1/4W	
R 246	QRE141J-470Y	C RESISTOR	47 5% 1/4W	
R 247	QRE141J-102Y	C RESISTOR	1.0K 5% 1/4W	
R 248	QRE141J-563Y	C RESISTOR	56K 5% 1/4W	
R 302	QRE141J-103Y	C RESISTOR	10K 5% 1/4W	
R 303	QRE141J-102Y	C RESISTOR	1.0K 5% 1/4W	
R 305	QRE141J-472Y	C RESISTOR	4.7K 5% 1/4W	
R 321	QRE141J-273Y	C RESISTOR	27K 5% 1/4W	
R 323	QRE141J-102Y	C RESISTOR	1.0K 5% 1/4W	
R 324	QRE141J-101Y	C RESISTOR	100 5% 1/4W	
R 325	QRE141J-222Y	C RESISTOR	2.2K 5% 1/4W	
R 331	QRE141J-273Y	C RESISTOR	27K 5% 1/4W	
R 333	QRE141J-102Y	C RESISTOR	1.0K 5% 1/4W	
R 334	QRE141J-101Y	C RESISTOR	100 5% 1/4W	
R 335	QRE141J-222Y	C RESISTOR	2.2K 5% 1/4W	
R 341	QRE141J-273Y	C RESISTOR	27K 5% 1/4W	
R 343	QRE141J-102Y	C RESISTOR	1.0K 5% 1/4W	
R 344	QRE141J-101Y	C RESISTOR	100 5% 1/4W	
R 345	QRE141J-222Y	C RESISTOR	2.2K 5% 1/4W	
R 351	QRE141J-273Y	C RESISTOR	27K 5% 1/4W	
R 353	QRE141J-102Y	C RESISTOR	1.0K 5% 1/4W	
R 354	QRE141J-101Y	C RESISTOR	100 5% 1/4W	
R 355	QRE141J-222Y	C RESISTOR	2.2K 5% 1/4W	
R 701	QRE141J-473Y	C RESISTOR	47K 5% 1/4W	
R 702	QRE141J-473Y	C RESISTOR	47K 5% 1/4W	
R 703	QRE141J-472Y	C RESISTOR	4.7K 5% 1/4W	
R 704	QRE141J-472Y	C RESISTOR	4.7K 5% 1/4W	
R 705	QRE141J-472Y	C RESISTOR	4.7K 5% 1/4W	
R 706	QRE141J-472Y	C RESISTOR	4.7K 5% 1/4W	
R 707	QRE141J-473Y	C RESISTOR	47K 5% 1/4W	
R 708	QRE141J-472Y	C RESISTOR	4.7K 5% 1/4W	
R 709	QRE141J-473Y	C RESISTOR	47K 5% 1/4W	
R 710	QRE141J-473Y	C RESISTOR	47K 5% 1/4W	
R 711	QRE141J-473Y	C RESISTOR	47K 5% 1/4W	
R 712	QRE141J-473Y	C RESISTOR	47K 5% 1/4W	
R 713	QRE141J-563Y	C RESISTOR	56K 5% 1/4W	
R 714	QRE141J-473Y	C RESISTOR	47K 5% 1/4W	
R 716	QRE141J-473Y	C RESISTOR	47K 5% 1/4W	
R 717	QRE141J-472Y	C RESISTOR	4.7K 5% 1/4W	
R 718	QRE141J-472Y	C RESISTOR	4.7K 5% 1/4W	
R 719	QRE141J-472Y	C RESISTOR	4.7K 5% 1/4W	
R 720	QRE141J-472Y	C RESISTOR	4.7K 5% 1/4W	
R 721	QRE141J-222Y	C RESISTOR	2.2K 5% 1/4W	
R 722	QRE141J-222Y	C RESISTOR	2.2K 5% 1/4W	
R 723	QRE141J-222Y	C RESISTOR	2.2K 5% 1/4W	
R 724	QRE141J-332Y	C RESISTOR	3.3K 5% 1/4W	
R 725	QRE141J-332Y	C RESISTOR	3.3K 5% 1/4W	
R 727	QRE141J-473Y	C RESISTOR	47K 5% 1/4W	
R 728	QRE141J-222Y	C RESISTOR	2.2K 5% 1/4W	
R 729	QRE141J-222Y	C RESISTOR	2.2K 5% 1/4W	

## ■ Electrical parts list (Main board)

Block No. 01

△	Item	Parts number	Parts name	Remarks	Area
	R 730	QRE141J-222Y	C RESISTOR	2.2K 5% 1/4W	
	R 731	QRE141J-472Y	C RESISTOR	4.7K 5% 1/4W	
	R 732	QRE141J-472Y	C RESISTOR	4.7K 5% 1/4W	
	R 733	QRE141J-103Y	C RESISTOR	10K 5% 1/4W	
	R 734	QRE141J-103Y	C RESISTOR	10K 5% 1/4W	
	R 735	QRE141J-103Y	C RESISTOR	10K 5% 1/4W	
	R 736	QRE141J-103Y	C RESISTOR	10K 5% 1/4W	
	R 737	QRE141J-103Y	C RESISTOR	10K 5% 1/4W	
	R 738	QRE141J-222Y	C RESISTOR	2.2K 5% 1/4W	
	R 739	QRE141J-222Y	C RESISTOR	2.2K 5% 1/4W	
	R 741	QRE141J-103Y	C RESISTOR	10K 5% 1/4W	
	R 742	QRE141J-103Y	C RESISTOR	10K 5% 1/4W	
	R 743	QRE141J-222Y	C RESISTOR	2.2K 5% 1/4W	
	R 748	QRE141J-332Y	C RESISTOR	3.3K 5% 1/4W	
	R 749	QRE141J-473Y	C RESISTOR	47K 5% 1/4W	
	R 750	QRE141J-243Y	C RESISTOR	24K 5% 1/4W	
	R 753	QRE141J-751Y	C RESISTOR	750 5% 1/4W	
	R 801	QRE141J-104Y	C RESISTOR	100K 5% 1/4W	
	R 802	QRE141J-104Y	C RESISTOR	100K 5% 1/4W	
	R 803	QRE141J-101Y	C RESISTOR	100 5% 1/4W	
	R 804	QRE141J-334Y	C RESISTOR	330K 5% 1/4W	
	R 805	QRE141J-334Y	C RESISTOR	330K 5% 1/4W	
	R 806	QRE141J-104Y	C RESISTOR	100K 5% 1/4W	
	R 807	QRE141J-101Y	C RESISTOR	100 5% 1/4W	
	R 808	QRE141J-223Y	C RESISTOR	22K 5% 1/4W	
	R 809	QRE141J-103Y	C RESISTOR	10K 5% 1/4W	
	R 810	QRE141J-104Y	C RESISTOR	100K 5% 1/4W	
	R 811	QRE141J-682Y	C RESISTOR	6.8K 5% 1/4W	
	R 812	QRE141J-242Y	C RESISTOR	2.4K 5% 1/4W	
	R 813	QRE141J-242Y	C RESISTOR	2.4K 5% 1/4W	
	R 814	QRE141J-682Y	C RESISTOR	6.8K 5% 1/4W	
	R 881	QRE141J-472Y	C RESISTOR	4.7K 5% 1/4W	
	R 882	QRE141J-473Y	C RESISTOR	47K 5% 1/4W	
	R 901	QRE141J-101Y	C RESISTOR	100 5% 1/4W	
	R 902	QRE141J-682Y	C RESISTOR	6.8K 5% 1/4W	
	R 903	QRE141J-113Y	C RESISTOR	11K 5% 1/4W	
	R 904	QRE141J-473Y	C RESISTOR	47K 5% 1/4W	
	R 905	QRE141J-102Y	C RESISTOR	1.0K 5% 1/4W	
	R 906	QRE141J-473Y	C RESISTOR	47K 5% 1/4W	
	R 907	QRE141J-102Y	C RESISTOR	1.0K 5% 1/4W	
	R 908	QRE141J-473Y	C RESISTOR	47K 5% 1/4W	
	R 909	QRE141J-102Y	C RESISTOR	1.0K 5% 1/4W	
	R 911	QRE141J-101Y	C RESISTOR	100 5% 1/4W	
	R 930	QRE141J-473Y	C RESISTOR	47K 5% 1/4W	
	R 931	QRE141J-223Y	C RESISTOR	22K 5% 1/4W	
	R 976	QRE141J-433Y	C RESISTOR	43K 5% 1/4W	
	R 977	QRE141J-683Y	C RESISTOR	68K 5% 1/4W	
	R 978	QRE141J-273Y	C RESISTOR	27K 5% 1/4W	
	R 979	QRE141J-473Y	C RESISTOR	47K 5% 1/4W	
	S 701	QSW0451-001	DETECT SWITCH	DETACH/OPEN	
	S 702	QSW0451-001	DETECT SWITCH	DETACH/OPEN	
	S 930	QSQ1A11-V06Z	TACT SWITCH		
	TU 1	QAU0257-001	TUNER		
	X 701	QAX0406-001Z	CRYSTAL		

## ■ Electrical parts list (Mecha control board)

Block No. 02

△	Item	Parts number	Parts name	Remarks	Area
	C 401	NDC31HJ-101X	C CAPACITOR		
	C 402	NDC31HJ-101X	C CAPACITOR		
	C 403	NDC31HJ-101X	C CAPACITOR		
	C 404	NDC31HJ-101X	C CAPACITOR		
	C 405	NDC31HJ-101X	C CAPACITOR		
	C 406	NDC31HJ-101X	C CAPACITOR		
	C 407	NDC31HJ-101X	C CAPACITOR		
	C 408	NDC31HJ-101X	C CAPACITOR		
	C 409	QEKJ1CM-226Z	E CAPACITOR	22MF 20% 16V	
	C 410	QFV61HJ-153Z	MF CAPACITOR	.015MF 5% 50V	
	C 411	QFV61HJ-153Z	MF CAPACITOR	.015MF 5% 50V	
	C 412	NCB31EK-104X	C CAPACITOR		
	C 413	NCB31EK-104X	C CAPACITOR		
	C 414	QEKJ1CM-226Z	E CAPACITOR	22MF 20% 16V	
	C 415	NCB31EK-103X	C CAPACITOR		
	C 416	QFV61HJ-104Z	MF CAPACITOR	.10MF 5% 50V	
	C 417	QFV61HJ-104Z	MF CAPACITOR	.10MF 5% 50V	
	C 418	NDC31HJ-221X	C CAPACITOR		
	C 419	QEKJ1HM-474Z	E CAPACITOR	.47MF 20% 50V	
	C 421	NCB31HK-103X	C CAPACITOR		
	C 422	NCB31EK-104X	C CAPACITOR		
	C 423	QERF1CM-106Z	E CAPACITOR	10MF 20% 16V	
	C 424	NCB31EK-104X	C CAPACITOR		
	C 425	NCB31HK-103X	C CAPACITOR		
	CN401	QGB1214K1-18S	CONNECTOR		
	CN402	VMP3501-001	WIRE		
	CN403	QGF1219F1-10S	CONNECTOR		
	D 401	MA3047/H-X	Z DIODE		
	D 402	1A3G-T1	SI DIODE		
	IC401	CXA2560Q	IC		
	IC402	LB1641	IC		
	Q 402	DTC114EKA-X	TRANSISTOR		
	Q 403	2SB1322/RS/-T	TRANSISTOR		
	R 401	NRSA181J-391X	MG RESISTOR		
	R 402	NRSA63J-104X	MG RESISTOR		
	R 403	NRSA63J-104X	MG RESISTOR		
	R 404	NRSA63J-104X	MG RESISTOR		
	R 405	NRSA63J-104X	MG RESISTOR		
	R 406	NRSA63J-181X	MG RESISTOR		
	R 407	NRSA63J-181X	MG RESISTOR		
	R 412	NRSA02J-101X	MG RESISTOR		
	R 413	NRSA63J-183X	MG RESISTOR		
	R 414	NRSA63J-392X	MG RESISTOR		
	R 415	NRSA63J-223X	MG RESISTOR		
	R 416	NRSA63J-155X	MG RESISTOR		
	R 417	NRSA63J-103X	MG RESISTOR		
	R 418	NRSA63J-153X	MG RESISTOR		
	R 422	NRSA02J-332X	MG RESISTOR		
	R 423	NRSA181J-473X	MG RESISTOR		
	R 424	NRSA02J-332X	MG RESISTOR		
	R 425	NRSA181J-330X	MG RESISTOR		
	R 426	QUY150-050Y	BUS WIRE		
	VR401	QVP0009-333Z	SEMI V RESISTOR	DOLBY	
	VR402	QVP0009-333Z	SEMI V RESISTOR	DOLBY	

■ Electrical parts list (Front board)

Block No. 03

△	Item	Parts number	Parts name	Remarks	Area
	C 601	NBE20JM-475X	TS E CAPACITOR		
	C 602	NCB31HK-103X	C CAPACITOR		
	C 603	NCS31HJ-221X	C CAPACIOTR		
	C 604	NCB31AK-224X	C CAPACITOR		
	C 605	NCB31AK-224X	C CAPACITOR		
	C 606	NBE20JM-475X	TS E CAPACITOR		
	C 608	NCB31HK-103X	C CAPACITOR		
	C 609	NCB31HK-103X	C CAPACITOR		
	CN601	QNZ0006-001	CAR CONNECTOR		
	D 601	SML-310LT/MN/-X	LED		
	D 602	SML-310VT/JK/-X	LED		
	D 603	SML-310VT/JK/-X	LED		
	D 604	SML-310VT/JK/-X	LED		
	D 605	SML-310VT/JK/-X	LED		
	D 606	SML-310VT/JK/-X	LED		
	D 607	SML-310VT/JK/-X	LED		
	D 608	SML-310VT/JK/-X	LED		
	D 609	SML-310VT/JK/-X	LED		
	D 610	SML-310VT/JK/-X	LED		
	D 611	SML-310VT/JK/-X	LED		
	D 612	SML-310VT/JK/-X	LED		
	D 613	SML-310VT/JK/-X	LED		
	D 614	SML-310VT/JK/-X	LED		
	D 615	SML-310VT/JK/-X	LED		
	D 616	SML-310VT/JK/-X	LED		
	D 617	LNJ308G81/1-3/X	LED		
	D 618	SML-310VT/JK/-X	LED		
	D 619	SML-310VT/JK/-X	LED		
	D 620	SML-310VT/JK/-X	LED		
	D 641	NSPW310BS/B/	LED		
	D 642	NSPW310BS/B/	LED		
	D 643	NSPW310BS/B/	LED		
	D 651	UDZS5.1B-X	Z DIODE		
	D 652	1SS355-X	DIODE		
	D 653	1SS355-X	DIODE		
	D 654	1SS355-X	DIODE		
	D 655	1SS355-X	DIODE		
	D 656	1SS355-X	DIODE		
	D 657	1SS355-X	DIODE		
	D 658	1SS355-X	DIODE		
	D 659	UDZS5.6B-X	Z DIODE		
	EN601	QSW0976-001	ROTARY ENCODER		
	IC601	LC75873NW	IC		
	IC602	RPM6938-SV4	IC		
	Q 641	2SB8157/-X	TRANSISTOR		
	Q 642	UN2211-X	TRANSISTOR		
	R 601	NRSA63J-681X	MG RESISTOR		
	R 602	NRSA63J-561X	MG RESISTOR		
	R 603	NRSA63J-681X	MG RESISTOR		
	R 604	NRSA63J-911X	MG RESISTOR		
	R 605	NRSA63J-681X	MG RESISTOR		
	R 606	NRSA63J-561X	MG RESISTOR		
	R 607	NRSA63J-681X	MG RESISTOR		
	R 608	NRSA63J-911X	MG RESISTOR		
	R 609	NRSA63J-122X	MG RESISTOR		
	R 610	NRSA63J-152X	MG RESISTOR		
	R 611	NRSA63J-681X	MG RESISTOR		
	R 612	NRSA63J-561X	MG RESISTOR		
	R 613	NRSA63J-681X	MG RESISTOR		
	R 614	NRSA63J-911X	MG RESISTOR		
	R 620	NRS181J-821X	MG RESISTOR		
	R 621	NRSA02J-821X	MG RESISTOR		
	R 622	NRSA02J-821X	MG RESISTOR		

△	Item	Parts number	Parts name	Remarks	Area
	R 623	NRSA02J-911X	MG RESISTOR		
	R 624	NRSA02J-911X	MG RESISTOR		
	R 625	NRSA02J-821X	MG RESISTOR		
	R 626	NRSA02J-821X	MG RESISTOR		
	R 627	NRSA02J-511X	MG RESISTOR		
	R 628	NRSA02J-511X	MG RESISTOR		
	R 629	NRSA02J-511X	MG RESISTOR		
	R 630	NRSA02J-511X	MG RESISTOR		
	R 631	NRSA02J-821X	MG RESISTOR		
	R 632	NRSA02J-821X	MG RESISTOR		
	R 633	NRSA02J-911X	MG RESISTOR		
	R 634	NRSA02J-911X	MG RESISTOR		
	R 635	NRSA02J-911X	MG RESISTOR		
	R 636	NRSA02J-911X	MG RESISTOR		
	R 637	NRSA02J-821X	MG RESISTOR		
	R 638	NRSA02J-821X	MG RESISTOR		
	R 639	NRSA02J-821X	MG RESISTOR		
	R 640	NRSA02J-821X	MG RESISTOR		
	R 641	NRS181J-431X	MG RESISTOR		
	R 642	NRS181J-431X	MG RESISTOR		
	R 643	NRS181J-431X	MG RESISTOR		
	R 644	NRS181J-471X	MG RESISTOR		
	R 645	NRSA63J-473X	MG RESISTOR		
	R 646	NRS181J-102X	MG RESISTOR		
	R 650	NRSA63J-0R0X	MG RESISTOR		
	R 651	NRSA63J-473X	MG RESISTOR		
	R 652	NRSA63J-473X	MG RESISTOR		
	R 653	NRS181J-102X	MG RESISTOR		
	R 654	NRSA63J-221X	MG RESISTOR		
	R 655	NRSA63J-394X	MG RESISTOR		
	R 656	NRSA63J-334X	MG RESISTOR		
	R 657	NRSA63J-103X	MG RESISTOR		
	R 658	NRSA63J-103X	MG RESISTOR		
	R 659	NRSA63J-103X	MG RESISTOR		
	R 660	NRSA63J-103X	MG RESISTOR		
	R 661	NRSA63J-470X	MG RESISTOR		
	R 662	NRSA63J-332X	MG RESISTOR		
	R 663	NRSA63J-332X	MG RESISTOR		
	R 664	NRSA63J-332X	MG RESISTOR		
	S 601	NSW0124-001X	TACT SW		
	S 602	NSW0124-001X	TACT SW		
	S 603	NSW0124-001X	TACT SW		
	S 604	NSW0124-001X	TACT SW		
	S 605	NSW0124-001X	TACT SW		
	S 606	NSW0124-001X	TACT SW		
	S 607	NSW0124-001X	TACT SW		
	S 608	NSW0124-001X	TACT SW		
	S 609	NSW0124-001X	TACT SW		
	S 610	NSW0124-001X	TACT SW		
	S 611	NSW0124-001X	TACT SW		
	S 612	NSW0124-001X	TACT SW		
	S 613	NSW0124-001X	TACT SW		
	S 614	NSW0124-001X	TACT SW		
	S 615	NSW0124-001X	TACT SW		
	S 616	NSW0124-001X	TACT SW		
	S 617	NSW0124-001X	TACT SW		

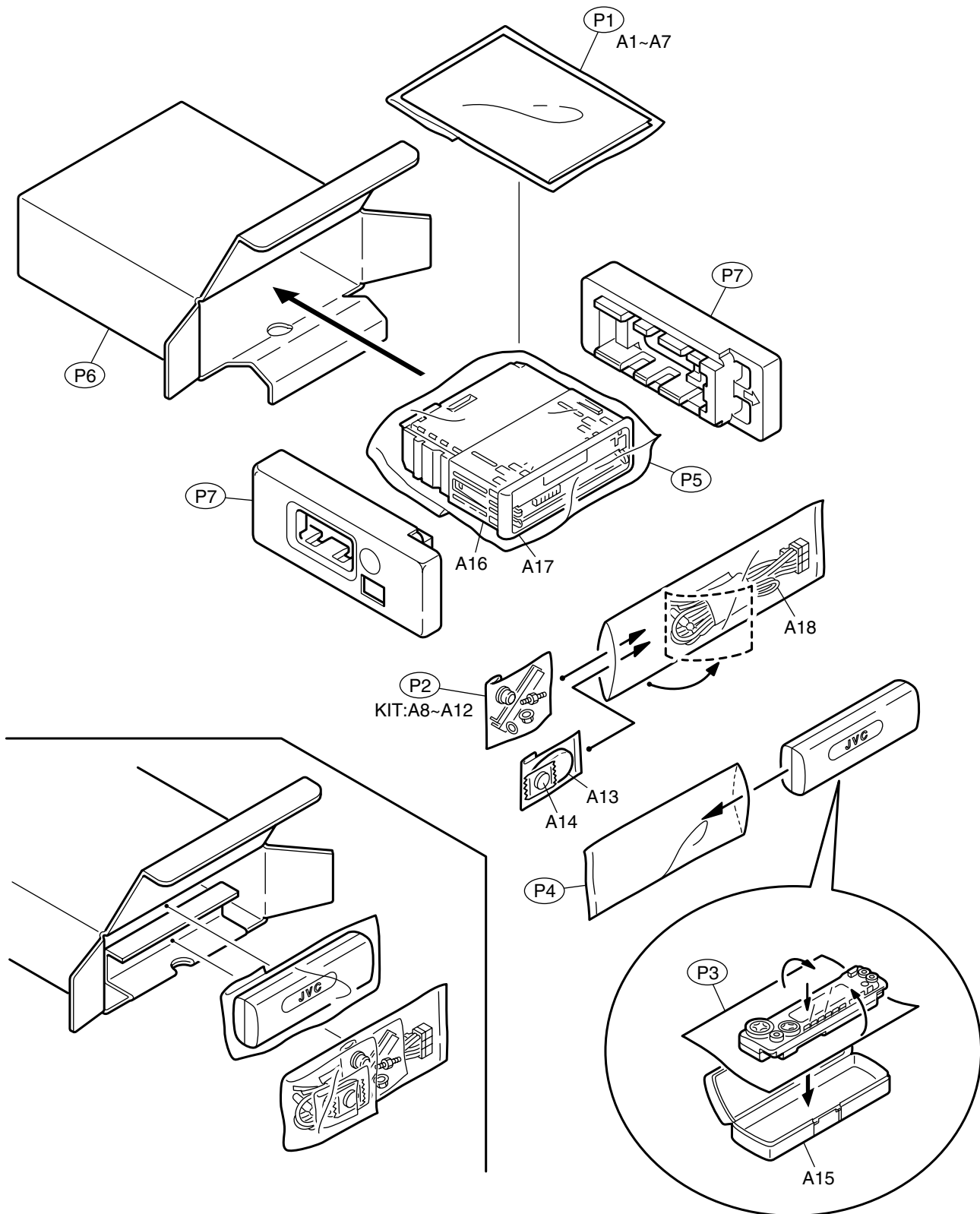
# Packing materials and accessories parts list

Block No. 

M	3	M	M
---	---	---	---

Block No. 

M	5	M	M
---	---	---	---



**Parts list (Packing)**

Block No. M3MM

△	Item	Parts number	Parts name	Q'ty	Description	Area
	P 1	FSPG4002-001	POLY BAG	1	FOR INST BOOK	
	P 2	QPA00801205	POLY BAG	1	FOR SCREW KIT	
	P 3	FSYH4036-068	SHEET	1	MIRAMA SHEET	
	P 4	QPA01003003	POLY BAG	1	FOR HARD CASE	
	P 5	QPC03004315P	POLY BAG	1	FOR SET	
	P 6	GE30407-020A	PACKING CASE	1		
	P 7	GE10047-001A	EPS CUSHION	2		

**Parts list (Accessories)**

Block No. M5MM

△	Item	Parts number	Parts name	Q'ty	Description	Area
	A 1	GET0068-001A	INST BOOK	1	ENG, SPA, FRE	
	A 2	GET0068-002A	INSTALL MANUAL	1	ENG, SPA, FRE	
	A 3	BT-51018-3	WARRANTY CARD	1	FOR USA	
	A 4	LVT0717-002B	TROUBLE SHEET(C	1		
	A 5	BT-52004-2	WARRANTY CARD	1	FOR CANADA	
	A 6	BT-51028-1	J=REGIST CAR	1	FOR USA	
	A 7	BT-20071B	JVC CENTER LIST	1	FOR CANADA	
	A 8	VKZ4027-202	PLUG NUT	1		
	A 9	VKH4871-001SS	MOUNT BOLT	1		
	A 10	VKZ4328-001	LOCK NUT	1		
	A 11	WNS5000Z	WASHER	1		
	A 12	GE40130-001A	HOOK	2		
	A 13	RM-RK50	REMOCON	1		
	A 14	-----	LI BATTERY	1		
	A 15	FSJB3002-00C	HARD CASE	1		
	A 16	GE20126-001A	MOUNTING SLEEVE	1		
	A 17	GE20127-005A	TRIM PLATE	1		
	A 18	QAM0306-001	16P CORD ASS'Y	1		
	KIT	KSFX480K-SCREW1	SCREW PARTS KIT	1	A8~A12	