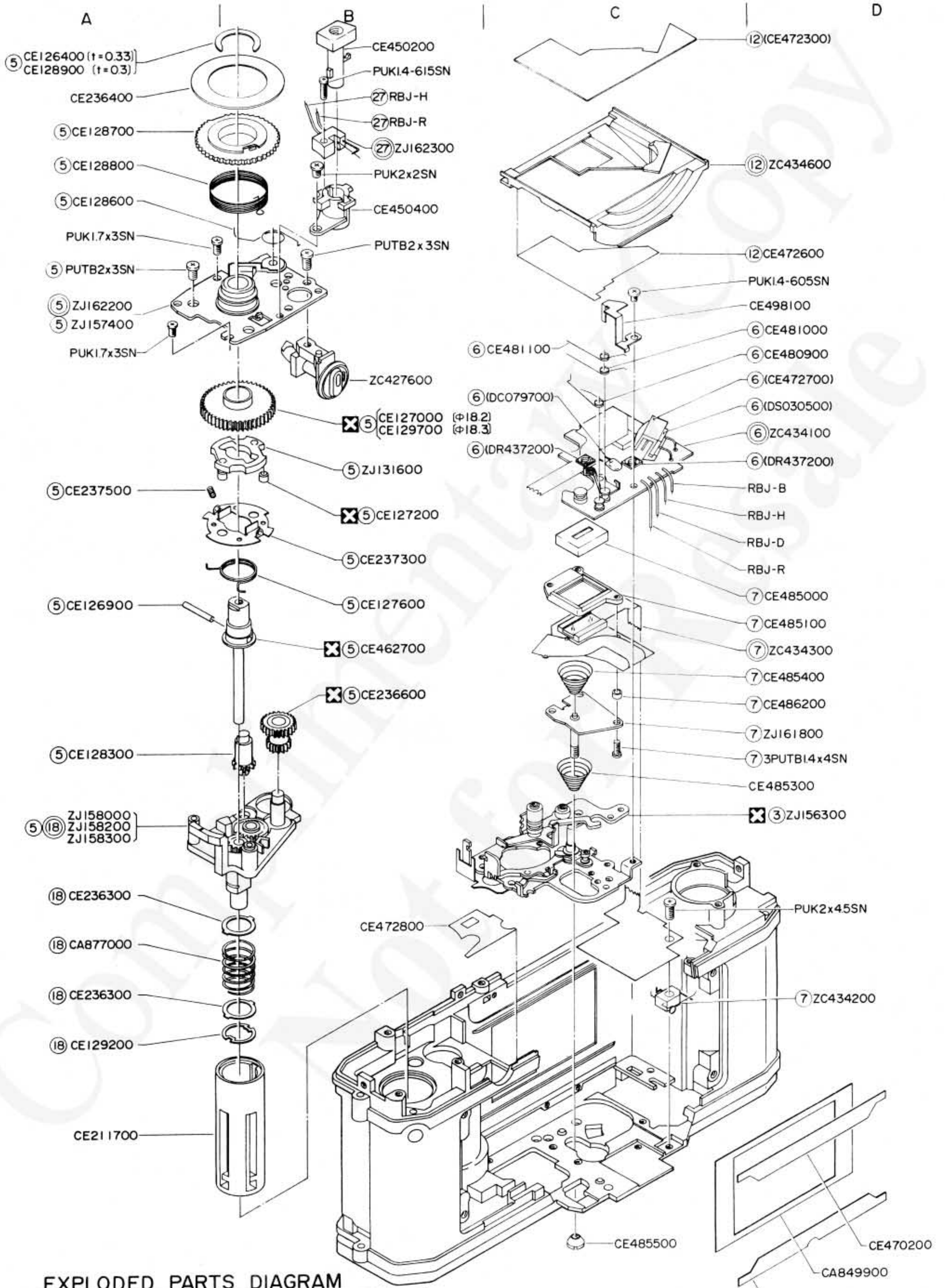


**EXPLODED PARTS DIAGRAM**

MODEL	HOUSE CODE or UNIT	FIG.
OM 30 OM F	MDH	1/8
<b>OLYMPUS OPTICAL CO., LTD. TOKYO, JAPAN</b>		

NOTE : WHEN ORDERING FOR SPARE PARTS, PLEASE CLARIFY A MODEL or HOUSE CODE, PARTS NUMBER AND QUANTITY.





4 EXPLODED PARTS DIAGRAM

MODEL	HOUSE CODE or UNIT	FIG.
OM 30 OM F	MDH	2/8

**OLYMPUS OPTICAL CO., LTD. TOKYO, JAPAN**

1182

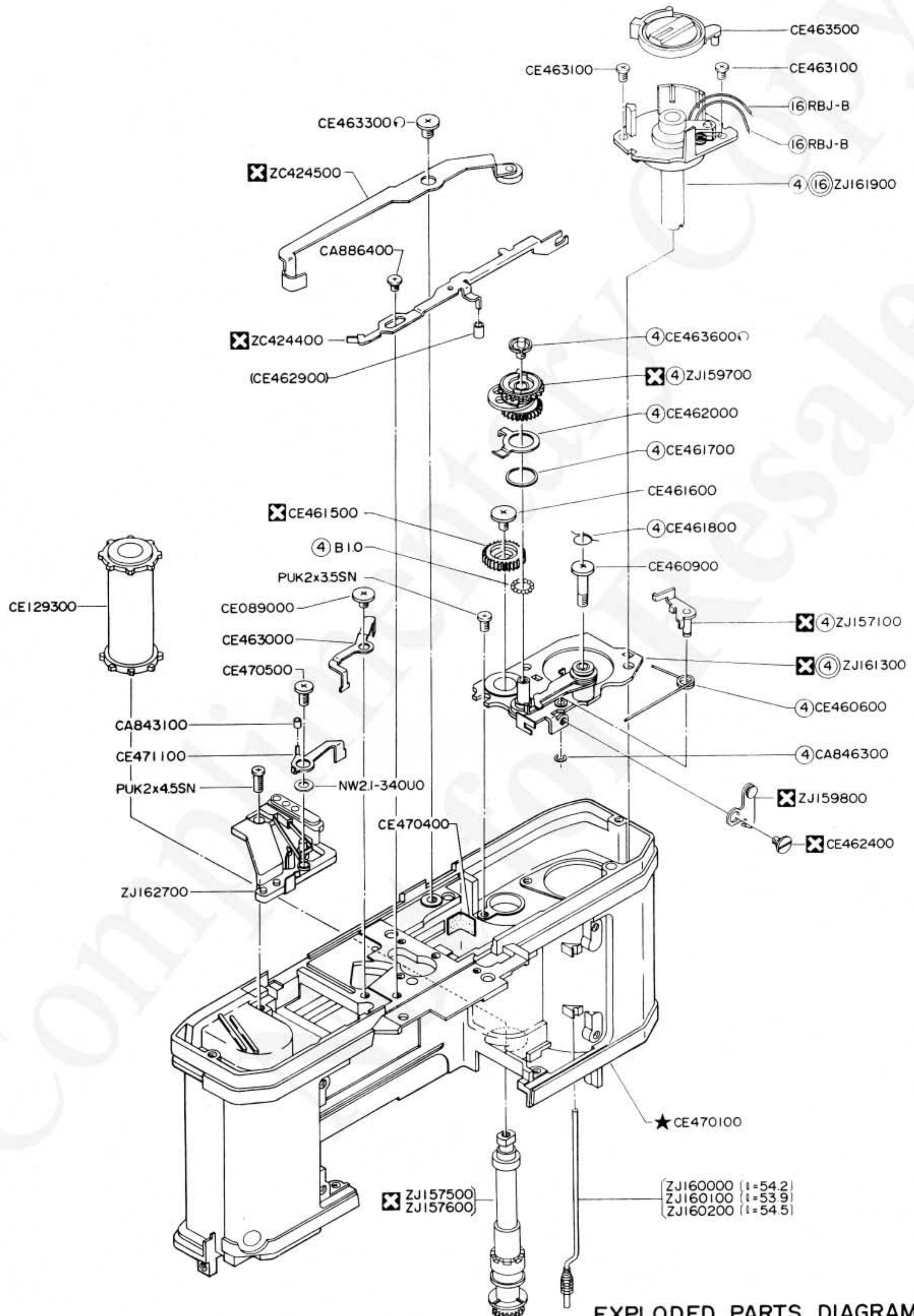
NOTE: WHEN ORDERING FOR SPARE PARTS, PLEASE CLARIFY A MODEL or HOUSE CODE, PARTS NUMBER AND QUANTITY.

A

B

C

D



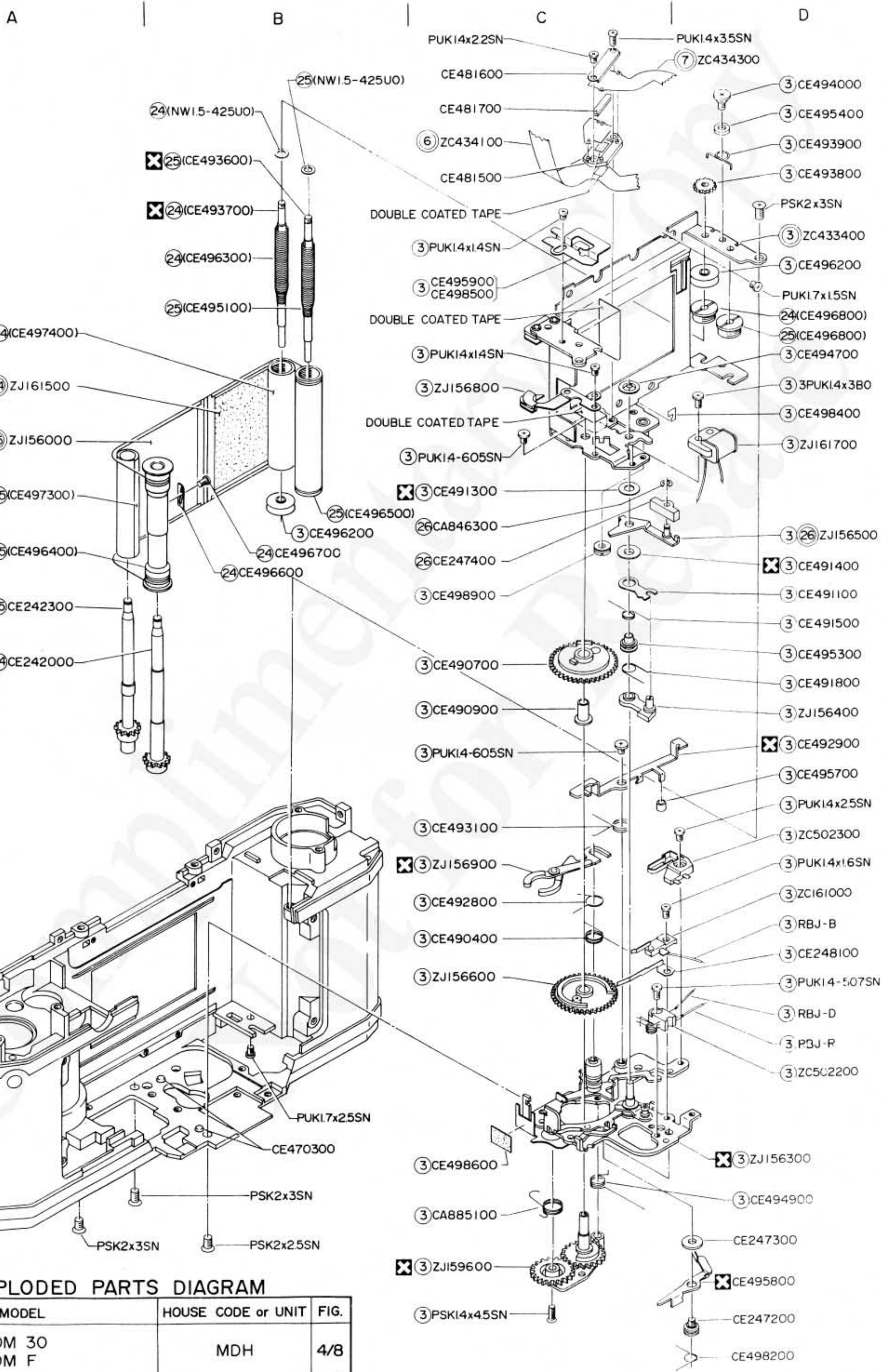
## EXPLODED PARTS DIAGRAM

MODEL	HOUSE CODE or UNIT	FIG.
OM 30 OM F	MDH	3/8
<b>OLYMPUS OPTICAL CO., LTD. TOKYO, JAPAN</b>		

1182

NOTE: WHEN ORDERING FOR SPARE PARTS, PLEASE CLARIFY A MODEL or HOUSE CODE, PARTS NUMBER AND QUANTITY.





**EXPLODED PARTS DIAGRAM**

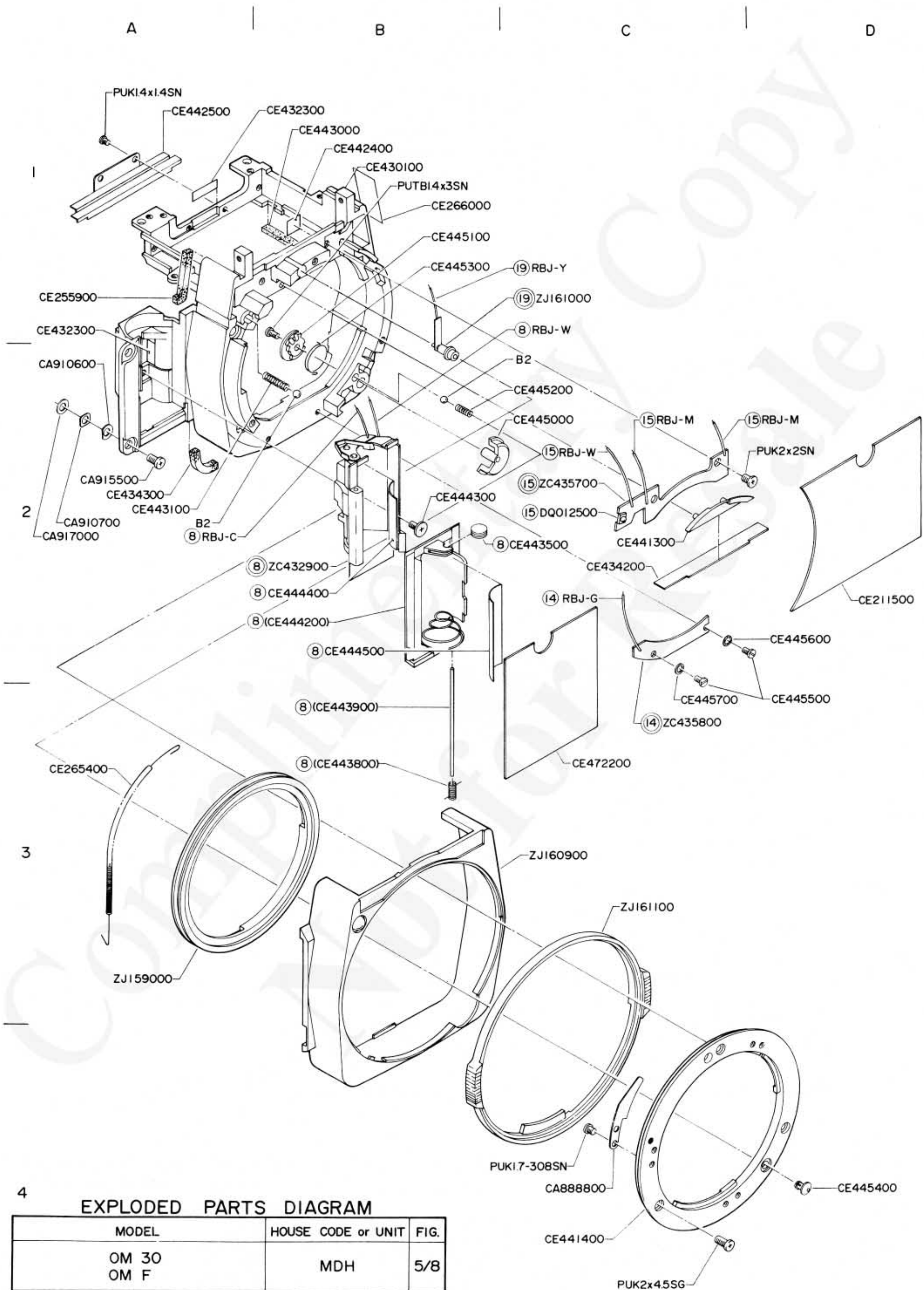
MODEL	HOUSE CODE or UNIT	FIG.
OM 30 OM F	MDH	4/8

**OLYMPUS OPTICAL CO., LTD. TOKYO, JAPAN**

1182

NOTE: WHEN ORDERING FOR SPARE PARTS, PLEASE CLARIFY A MODEL or HOUSE CODE, PARTS NUMBER AND QUANTITY.









A

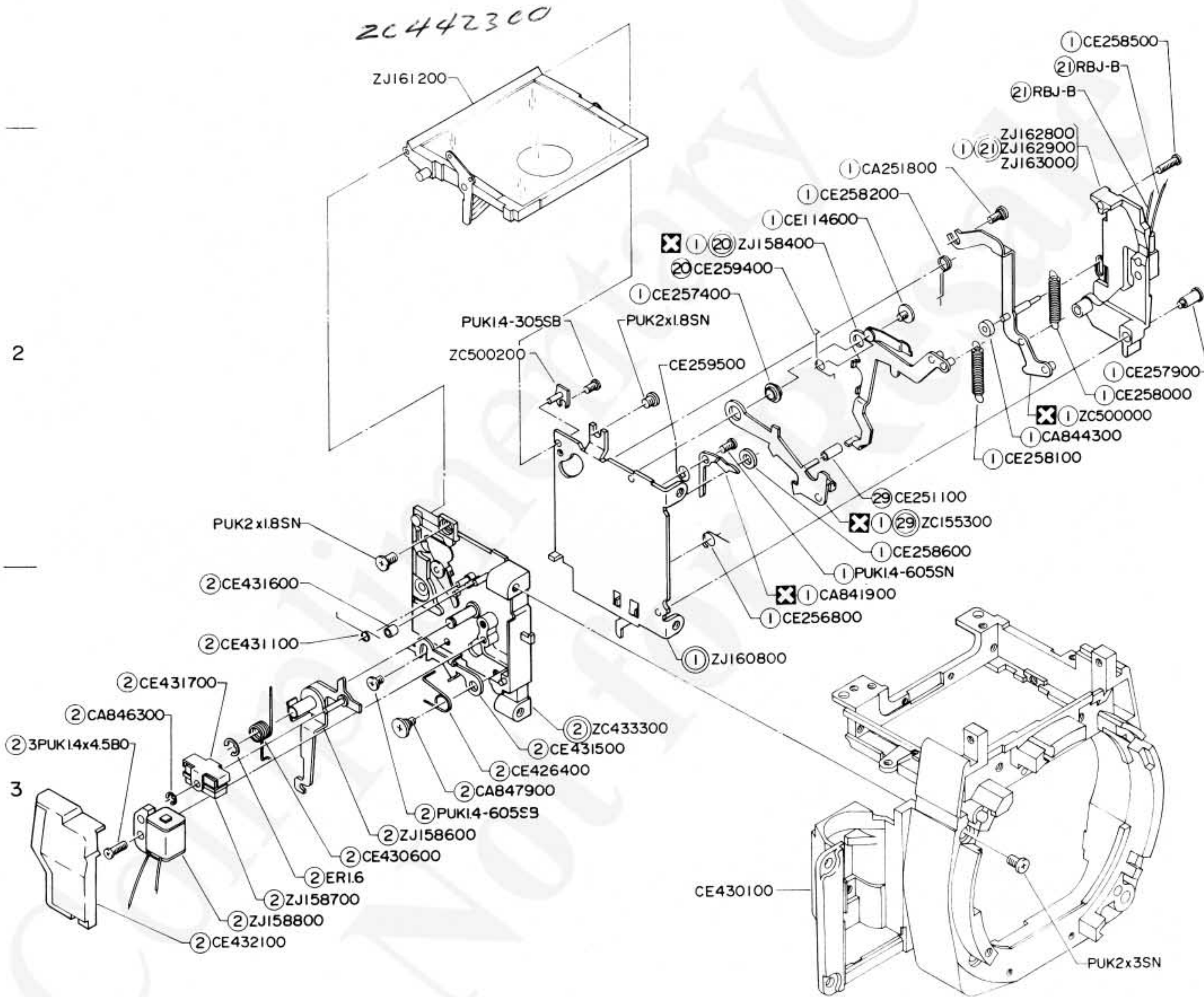
B

C

D

1

2C442300



2

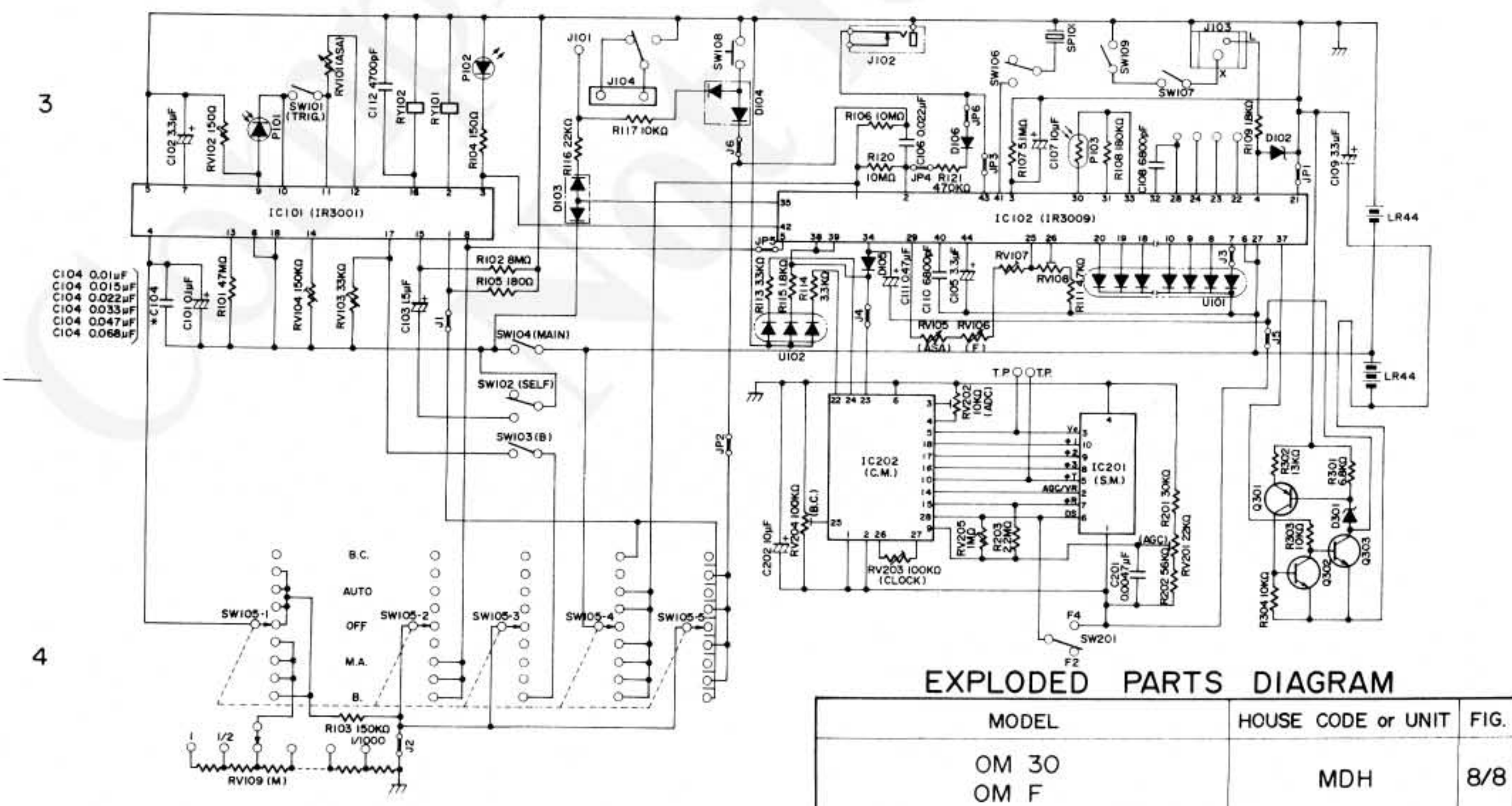
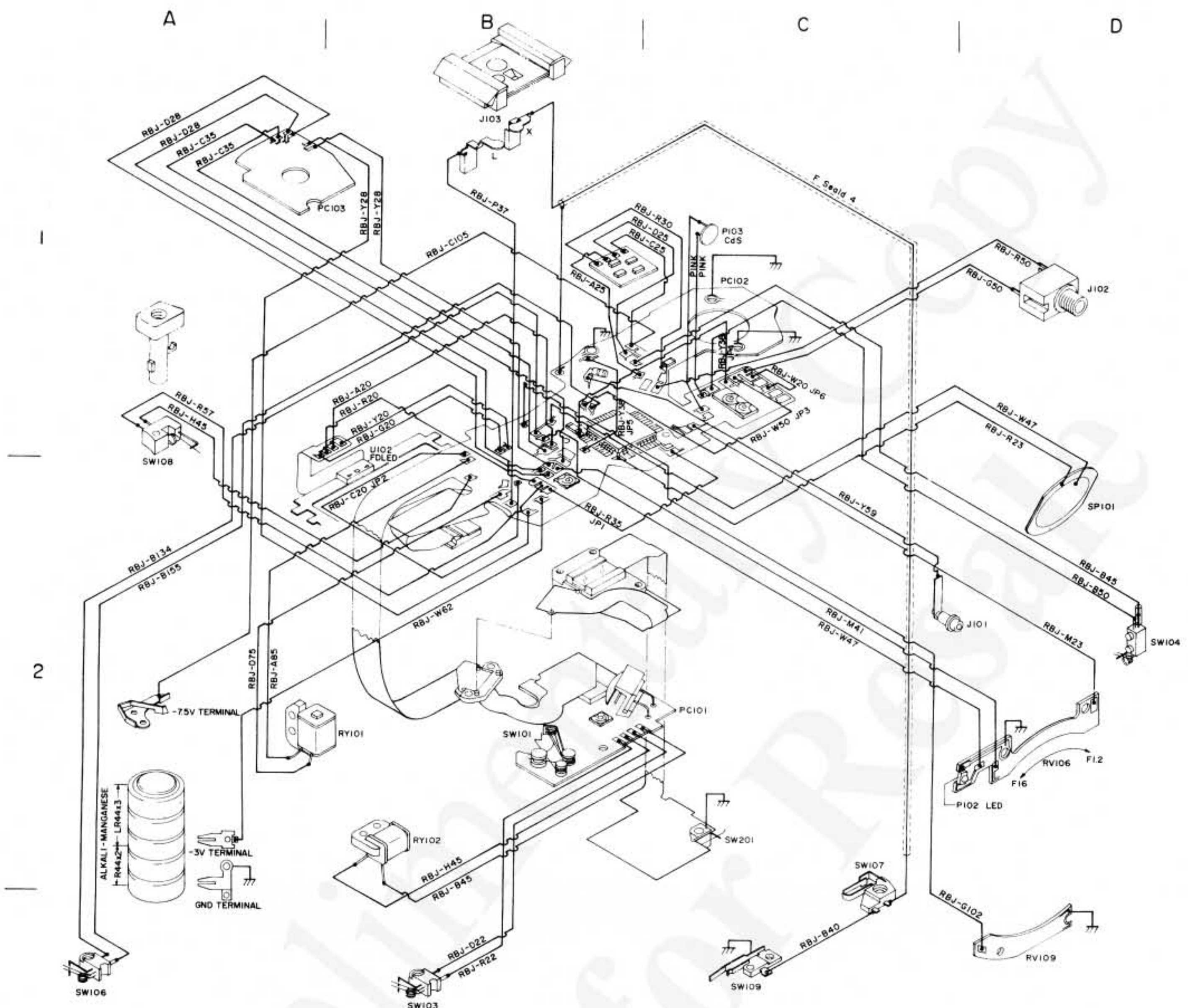
3

4

### EXPLODED PARTS DIAGRAM

MODEL	HOUSE CODE or UNIT	FIG.
OM 30 OM F	MDH	7/8
OLYMPUS OPTICAL CO., LTD. TOKYO, JAPAN		

NOTE: WHEN ORDERING FOR SPARE PARTS, PLEASE CLARIFY A MODEL or HOUSE CODE, PARTS NUMBER AND QUANTITY.



**EXPLODED PARTS DIAGRAM**

MODEL	HOUSE CODE or UNIT	FIG.
OM 30 OM F	MDH	8/8

**OLYMPUS OPTICAL CO., LTD. TOKYO, JAPAN**

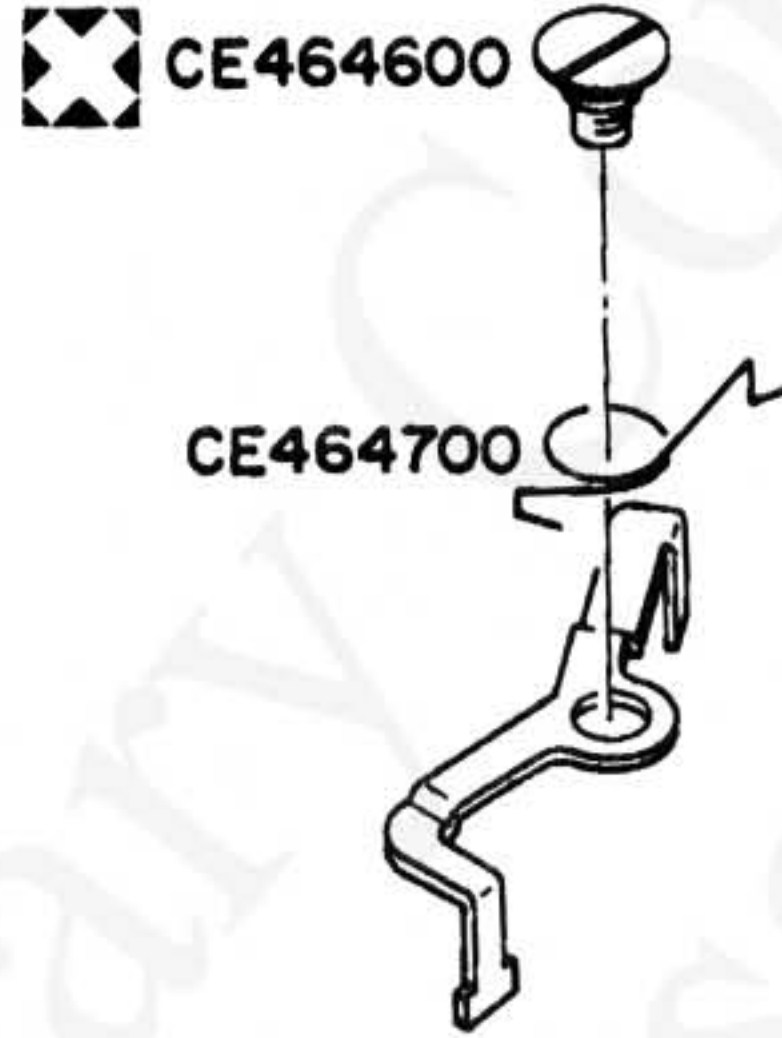
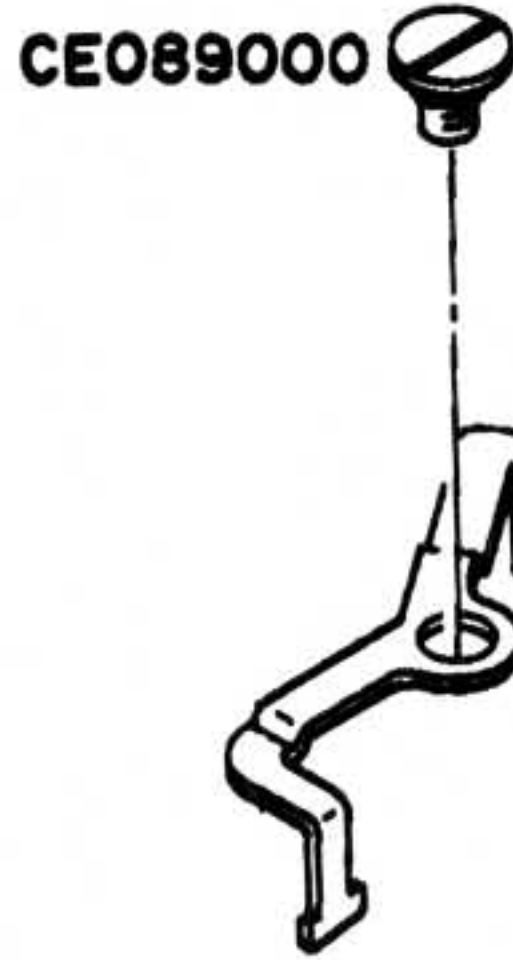
NOTE : WHEN ORDERING FOR SPARE PARTS, PLEASE CLARIFY A MODEL or HOUSE CODE, PARTS NUMBER AND QUANTITY.



OLD

(1)

NEW



OLD

(2)

NEW

