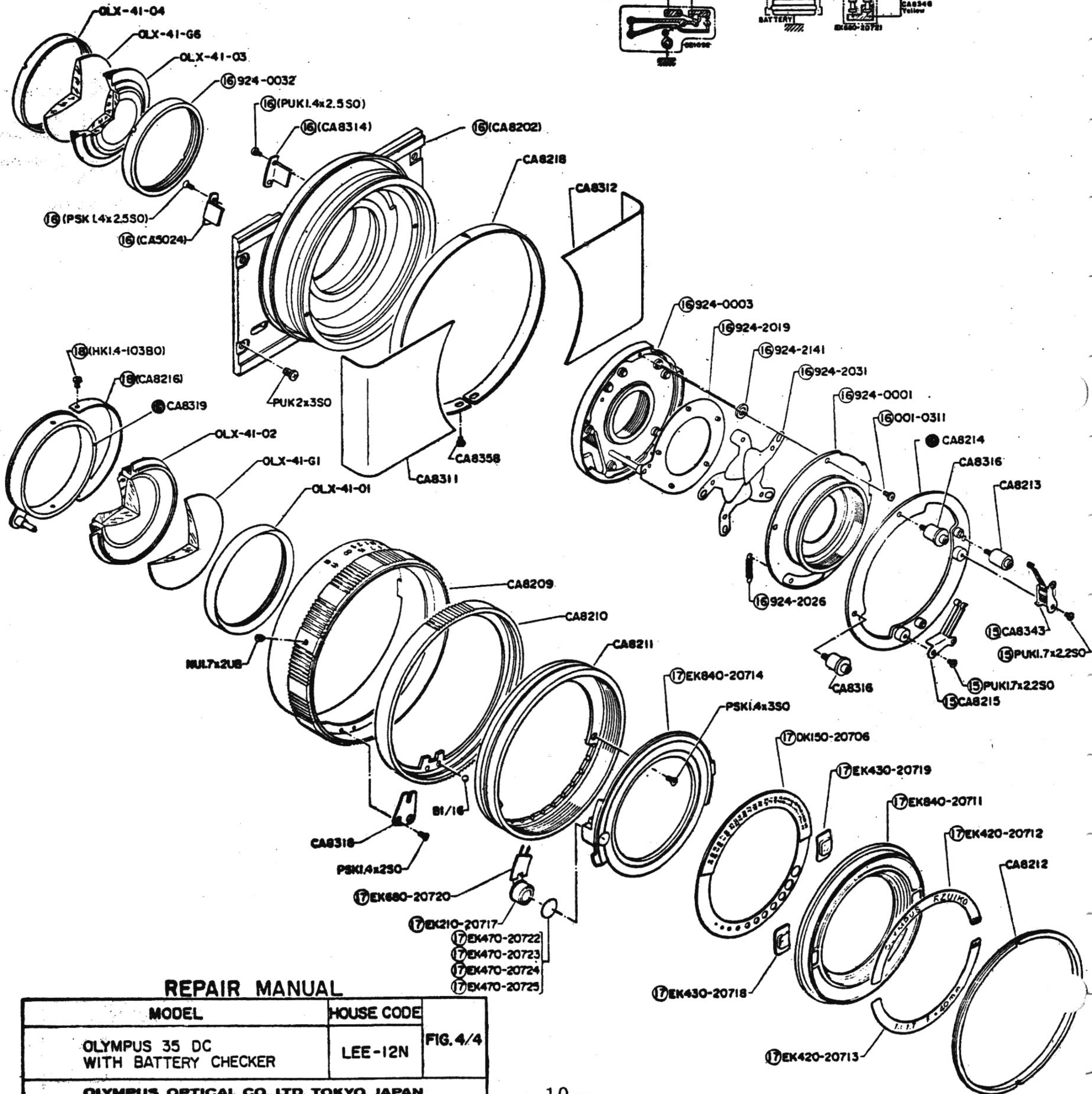
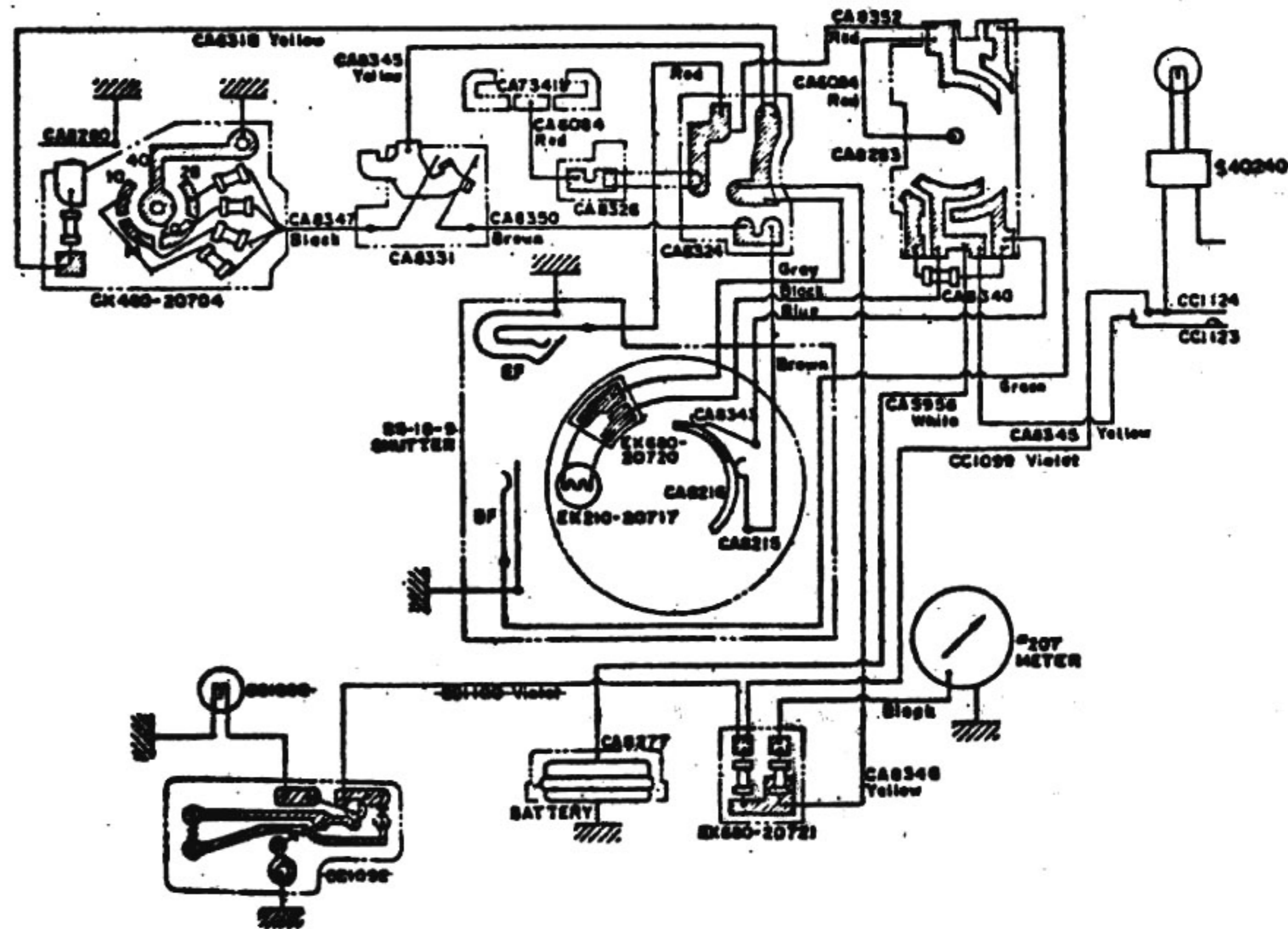
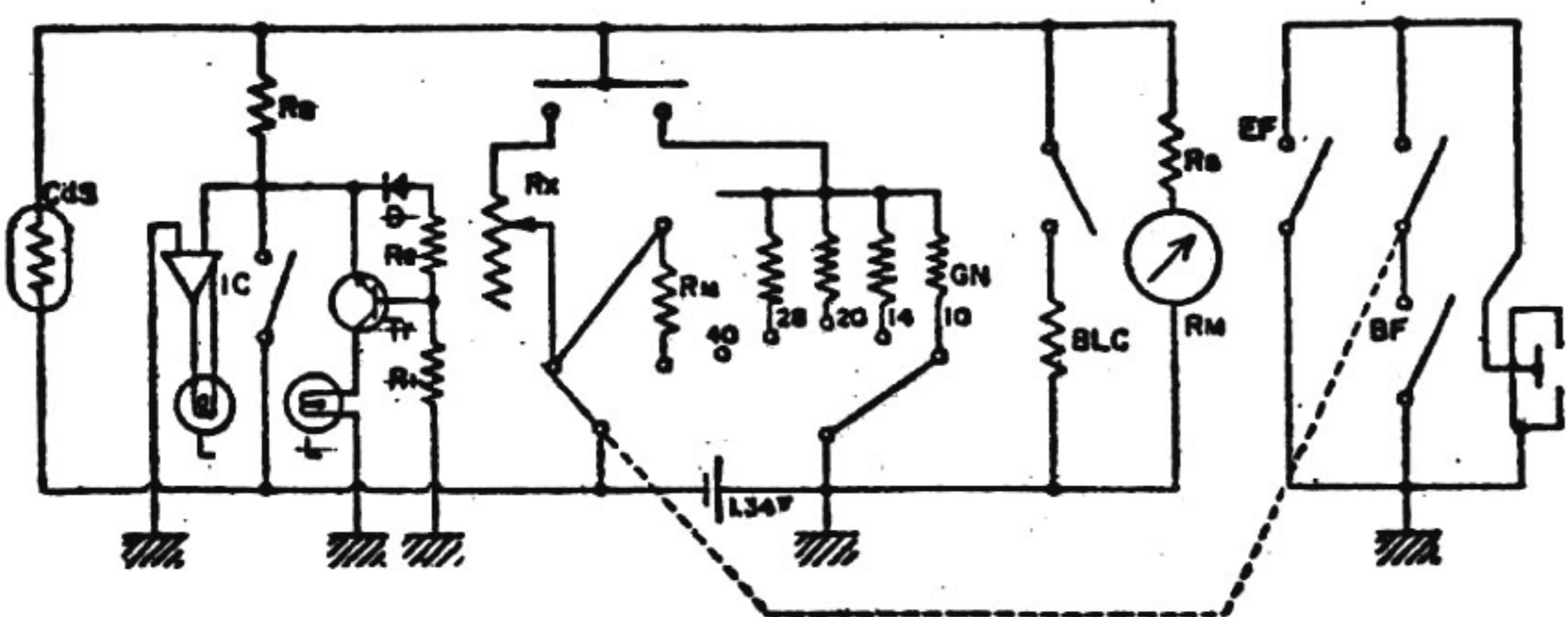


REPAIR MANUAL

| MODEL                                  | HOUSE CODE |          |
|----------------------------------------|------------|----------|
| OLYMPUS 35 DC<br>WITH BATTERY CHECKER  | LEE-12N    | FIG. 3/4 |
| OLYMPUS OPTICAL CO., LTD. TOKYO, JAPAN |            |          |



**REPAIR MANUAL**

| MODEL                                  | HOUSE CODE | FIG. |
|----------------------------------------|------------|------|
| OLYMPUS 35 DC<br>WITH BATTERY CHECKER  | LEE-12N    | 4/4  |
| OLYMPUS OPTICAL CO., LTD. TOKYO, JAPAN |            |      |

NOTE: WHEN ORDERING FOR SPARE PARTS, PLEASE CLARIFY A MODEL, PARTS NUMBER AND QUANTITY

## PARTS LIST

35DC

| PARTS NO. | NAME OF PARTS           | NOTE              |
|-----------|-------------------------|-------------------|
| CA 5509   | CLUTCH SPRING           |                   |
| 5526      | SPOOL HOLDER            |                   |
| 5527      | C WASHER                |                   |
| 5709      | E RING 3                |                   |
| 5767      | COVERING PLATE          |                   |
| 5949      | S GEAR SCREW            |                   |
| 5956      | LEAD COIL               |                   |
| 6008      | HINGE PIN               |                   |
| 6084      | LEAD COIL C             |                   |
| 6344      | SPOOL SPRING            |                   |
| 6345      | BATTERY COMPARTMENT LID |                   |
| 6590      | KEY SPRING              |                   |
| 6970      | LIGHT PROOF PADDING     |                   |
| 6977      | KEY GUIDE               |                   |
| 7205      | COIL HOLDER             |                   |
| 7315      | LIGHT PROOF PADDING     |                   |
| 7329      | STOPPER SPRING          |                   |
| 7334      | R LEVER                 | 3 parts 3 kinds   |
| 7336      | R PINCH SHAFT           |                   |
| 7338      | FRICITION SPRING        |                   |
| 7341b     | SHOE CONTACT POINT      | 3 parts 3 kinds   |
| 7399      | W LEVER COVER           |                   |
| 7410      | RELEASE SCREW           |                   |
| 7469      | M BASE SPRING           |                   |
| 7486      | LIGHT PROOF PADDING     |                   |
| 7529      | SPOOL A                 |                   |
| 7559      | R NUT                   |                   |
| 7718      | HINGE                   |                   |
| 7721      | STOPPER SCREW           |                   |
| 7732      | FILM GUIDE PIN          |                   |
| 7921      | STOPPER SCREW           |                   |
| 8008      | P HOLDER                |                   |
| 8025      | R SHAFT                 |                   |
| 8038      | SCREW GEAR              |                   |
| 8063      | ST LEVER SCREW          |                   |
| 8072      | LIGHT PROOF PADDING     |                   |
| 8099      | LEVER NO.1              |                   |
| 8100      | LEVER NO.1 SHAFT        |                   |
| 8102      | M SPRING                |                   |
| 8103      | AD SCREW                |                   |
| 8104      | CONNECTING PIN          |                   |
| 8106      | LIGHT PROOF SCREW       |                   |
| 8107      | OB FRAME                |                   |
| 8109      | VIEW FIELD STOPPER      |                   |
| 8110      | MIRROR HOLDER           |                   |
| 8120      | R SCREW                 |                   |
| 8141      | VIEW FINDER HOUSING     | 27 parts 26 kinds |
| 8173      | SET LEVER               |                   |
| 8203      | LIGHT PROOF FRAME       | 2 parts 1 kind    |
| 8209      | FOCUS RING              |                   |
| 8210      | ASA RING                | 3 parts 3 kinds   |
| 8211      | MOUNT RING              |                   |
| 8212      | RING HOLDER             |                   |
| 8213      | INSULATION RING SHAFT   |                   |

| PARTS NO. | NAME OF PARTS         | NOTE             |                   |
|-----------|-----------------------|------------------|-------------------|
| CA 8214   | INSULATION RING       | 10 parts 9 kinds |                   |
| 8215      | R CONTACT POINT       |                  |                   |
| 8218      | FOCUS INDICATION RING |                  |                   |
| 8219      | KEY PLATE A           |                  |                   |
| 8222      | PRESSURE PLATE        |                  | 3 parts 3 kinds   |
| 8224      | FILM ROLLER           |                  | 2 parts 2 kinds   |
| 8225      | FILM WINDING LEVER    |                  |                   |
| 8227      | FW SHAFT              |                  | 3 parts 3 kinds   |
| 8228      | FW LEVER COVER        |                  |                   |
| 8230      | FW PLATE              |                  |                   |
| 8231      | FW LEVER WASHER       |                  |                   |
| 8232      | FW SPRING             |                  |                   |
| 8233      | GEAR NO.1 WASHER      |                  |                   |
| 8236      | FW PLATE SPRING       |                  |                   |
| 8237      | GEAR NO.1             |                  |                   |
| 8240      | S GEAR                | 2 parts 2 kinds  |                   |
| 8242      | GEAR NO.1 SHAFT       |                  |                   |
| 8243      | S GEAR SHAFT          |                  |                   |
| 8244      | SPROCKET              |                  |                   |
| 8245      | S GEAR                |                  |                   |
| 8246      | SP SHAFT              |                  |                   |
| 8249      | FC BASE PLATE         |                  | 18 parts 17 kinds |
| 8251      | FC SPRING             |                  |                   |
| 8252      | FC GEAR               |                  |                   |
| 8254      | FC PLATE              |                  |                   |
| 8255      | FRICTION RING         |                  |                   |
| 8257      | K IDLE 1              |                  |                   |
| 8258      | K IDLE 2              |                  |                   |
| 8262      | RETURNING SPRING 1    |                  |                   |
| 8265      | CLUTCH                |                  |                   |
| 8266      | S STOPPER SCREW       | 5 parts 5 kinds  |                   |
| 8268      | FC WINDOW             |                  |                   |
| 8269      | S LOWER HOLDER        |                  |                   |
| 8270      | SP UPPER HOLDER       |                  |                   |
| 8271      | SP LOWER HOLDER       |                  |                   |
| 8272      | R BUTTON              |                  |                   |
| 8273      | R SHAFT HOLDER        |                  |                   |
| 8274      | GN WINDOW             |                  |                   |
| 8276      | SHOE SPRING           |                  |                   |
| 8277      | BATTERY CASE          |                  | 25 parts 21 kinds |
| 8278      | BUTTON FRAME          |                  |                   |
| 8280      | S CONTACT 2           |                  |                   |
| 8283      | MX BASE PLATE         |                  |                   |
| 8290      | MX CLICK              |                  |                   |
| 8293      | MX PLATE              |                  |                   |
| 8304      | STOPPER LEVER         |                  |                   |
| 8306      | BUTTON WASHER         |                  |                   |
| 8308      | GN PLATE              |                  |                   |
| 8309      | FOCUS PIN             |                  |                   |
| 8310      | FINDER NEEDLE         |                  |                   |
| 8311      | RIGHT SIDE LEATHER    |                  |                   |
| 8312      | LEFT SIDE LEATHER     |                  |                   |
| 8313      | REAR COVER LEATHER    |                  |                   |
| 8316      | INSURATION RING SHAFT |                  |                   |

| PARTS NO. | NAME OF PARTS           | NOTE               |
|-----------|-------------------------|--------------------|
| CA 8318   | FOCUS PLATE             |                    |
| 8319      | R RING                  | 5 parts 4 kinds    |
| 8322      | LIGHT PROOF PADDING     |                    |
| 8323      | M LEVER                 |                    |
| 8324      | F BASE PLATE            | 4 parts 3 kinds    |
| 8325      | F COVER                 |                    |
| 8326      | SHOE BASE PLATE         |                    |
| 8327      | S CONTACT POINT         |                    |
| 8329      | FRAME STOPPER           |                    |
| 8331      | FM BASE PLATE           | 18 parts 16 kinds  |
| 8338      | LEVER SPRING            |                    |
| 8340      | M RESISTOR              |                    |
| 8341      | BUTTON SPRING           |                    |
| 8343      | R SLIDER                | 2 parts 2 kinds    |
| 8345      | LEAD COIL               | 45mm long, Yellow  |
| 8346      | LEAD COIL               | 165mm long, Yellow |
| 8347      | LEAD COIL               | 25mm long, Black   |
| 8350      | LEAD COIL               | 55mm long, Brown   |
| 8352      | LEAD COIL               | 45mm long, Red     |
| 8355      | SPRING NO. 1            |                    |
| 8356      | HOOK                    |                    |
| 8358      | STOPPER SCREW           |                    |
| 8359      | TAPE                    |                    |
| 8360      | F TAPE                  |                    |
| 8363      | MIRROR SCREW            |                    |
| 8364      | SET WASHER              |                    |
| 8366      | GEAR NO.2               | 3 parts 3 kinds    |
| 8368      | FM SWITCH               | 4 parts 4 kinds    |
| CB 1299   | STRAP RING              |                    |
| CC 1037   | SHOE                    |                    |
| 1051      | OBJECTIVE FRAME         | 8 parts 8 kinds    |
| 1058      | BOTTOM PLATE            |                    |
| 1086      | EYE PIECE FRAME         | 3 parts 3 kinds    |
| 1089      | INSULATION PLATE 1      |                    |
| 1090      | INSULATION PLATE 2      |                    |
| 1091      | BC BUTTON               |                    |
| 1092      | BASE PLATE              | 5 parts 5 kinds    |
| 1093      | L HOLDER                |                    |
| 1094      | TRANSISTOR              |                    |
| 1095      | VARISTOR                |                    |
| 1096      | RESISTOR 1              |                    |
| 1098      | LAMP                    |                    |
| 1099      | LEAD COIL               | 165mm long, Violet |
| 1100      | LEAD COIL               | 40mm long, Violet  |
| 1101      | LEAD COIL               | 185mm long, Green  |
| 1102      | TUBE                    |                    |
| 1104      | (CAMERA BODY)           | Not available      |
| 1111      | MARK                    |                    |
| 1113      | REAR COVER              | 12 parts 11 kinds  |
| 1115      | C RING                  |                    |
| 1117      | FILM WINDING BASE PLATE |                    |
| 1120      | R KNOB                  |                    |
| 1084      | Top cover               | 8 parts 8 kinds    |

| PARTS NO. | NAME OF PARTS           | NOTE            |
|-----------|-------------------------|-----------------|
| CC 1121   | BUTTON                  |                 |
| 1122      | S BUTTON                |                 |
| 1123      | CONTACT POINT A         |                 |
| 1124      | CONTACT POINT B         | 2 parts 2 kinds |
| 1126      | KEY COVER               |                 |
| 1127      | R PINCH                 |                 |
| LC 4051   | OBJECTIVE NO.1          |                 |
| 4052      | HALF MIRROR             |                 |
| 4053      | EYE PIECE LENS          |                 |
| 4056      | MIRROR NO.1             |                 |
| 4057      | COVERING GLASS          |                 |
| 4068      | VIEW FIELD MASK         |                 |
| 4075      | MIRROR NO.2             |                 |
| 4076      | MAGNIFIER               | 3 parts 3 kinds |
| OLX 41-01 | FRONT LENS HOLDER       |                 |
| 41-02     | INNER LENS BARREL       | 3 parts 3 kinds |
| 41-03     | REAR LENS BARREL        | 3 parts 3 kinds |
| 41-04     | REAR LENS HOLDER        |                 |
| 41-G1     | FRONT LENS              |                 |
| BS-18-19  | SHUTTER ASS'Y           |                 |
| NO.953    | SELF TIMER ASS'Y        |                 |
| NO.207    | EXPOSURE METER ASS'Y    |                 |
|           | SET SCREW, WASHER, BAIL |                 |
|           | PUK 1.4 x 2 SO          |                 |
|           | 1.4 x 2.5 SO            |                 |
|           | 1.4 - 333 SO            |                 |
|           | 1.4 - 404 SO            |                 |
|           | 1.7 x 1.8 SO            |                 |
|           | 1.7 x 2 SO              |                 |
|           | 1.7 x 2.2 SO            |                 |
|           | 1.7 x 2.5 SO            |                 |
|           | 1.7 x 3 BA              |                 |
|           | 1.7 - 308 SO            |                 |
|           | 1.7 - 615 SO            |                 |
|           | 2 x 2.5 SO              |                 |
|           | 2 x 3 SO                |                 |
|           | 2 x 3.5 SO              |                 |
|           | 2 - 211 SO              |                 |
|           | PSK 1.4 x 2 SO          |                 |
|           | 1.4 x 2.5 SO            |                 |
|           | 1.4 x 3 SO              |                 |
|           | 1.7 x 2.2 SO            |                 |
|           | 2 x 2.5 SA              |                 |
|           | 2 x 3 SO                |                 |
|           | 2 x 4 SO                |                 |



| PARTS NO. | NAME OF PARTS   | NOTE |
|-----------|-----------------|------|
|           | 3PUK 2 x 3 SO   |      |
|           | 2 x 4 SO        |      |
|           | HK 2 - 338 .BB  |      |
|           | NW 6.1 - 392 BO |      |
|           | NU 1.7 - 2 UB   |      |
|           | B 1/16          |      |