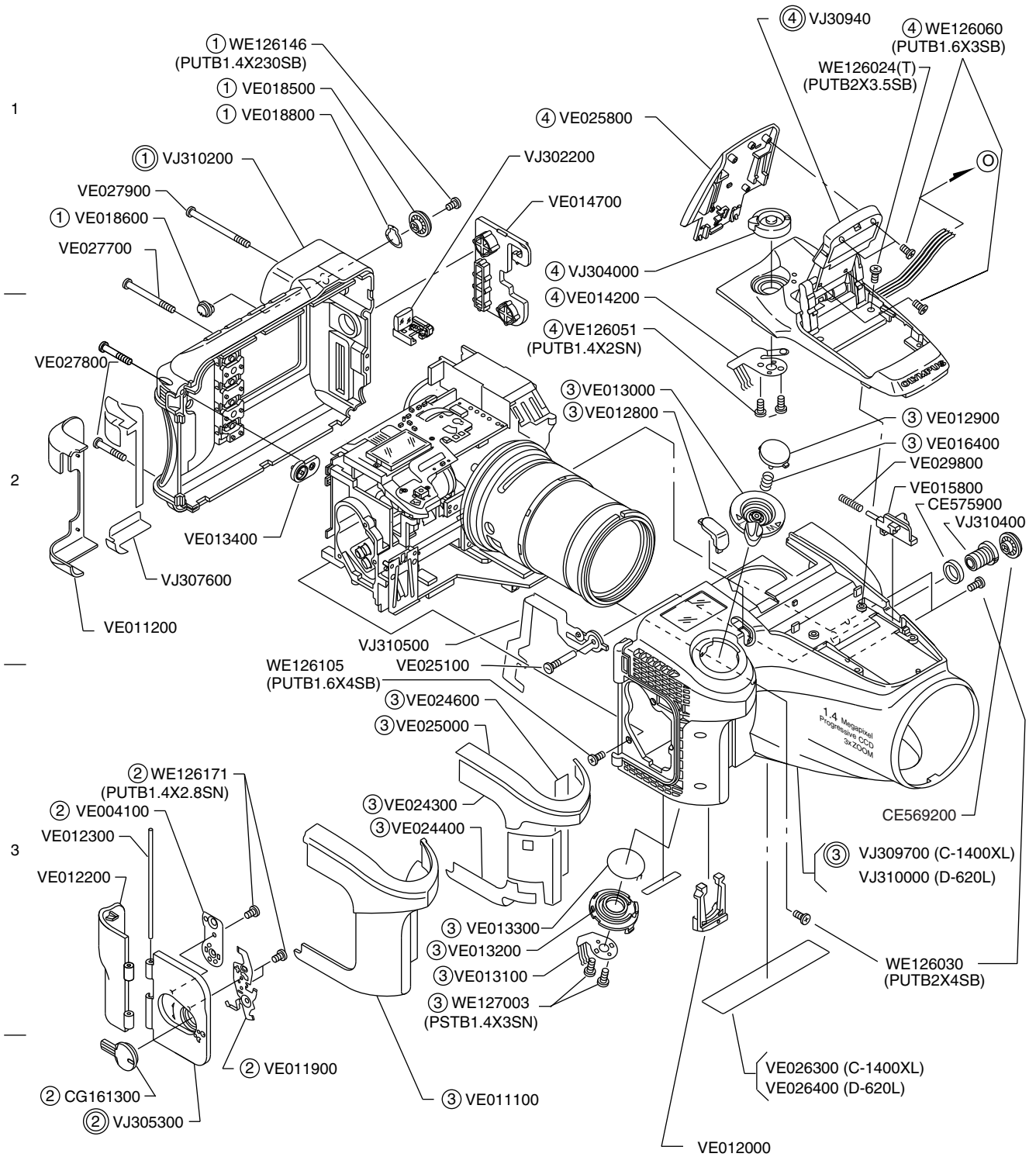


A

B

C

D



EXPLODED PARTS DIAGRAM

MODEL	HOUSE CODE or UNIT	FIG.
C-1400XL / D-620L	DCP	1/4
OLYMPUS OPTICAL CO.,LTD.TOKYO,JAPAN		

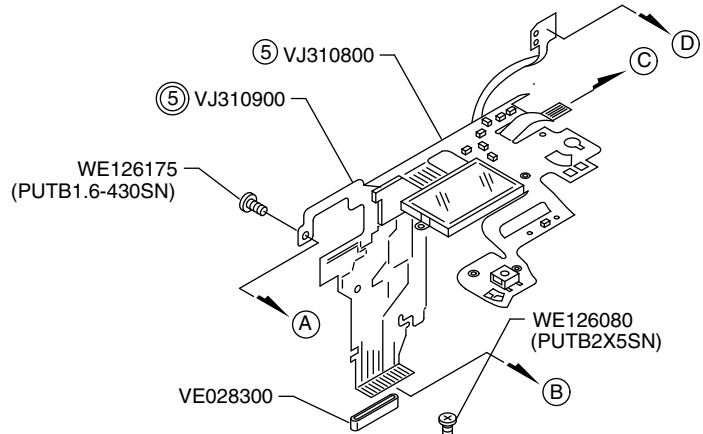
A

B

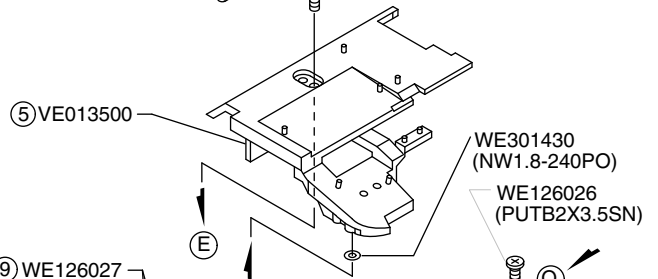
C

D

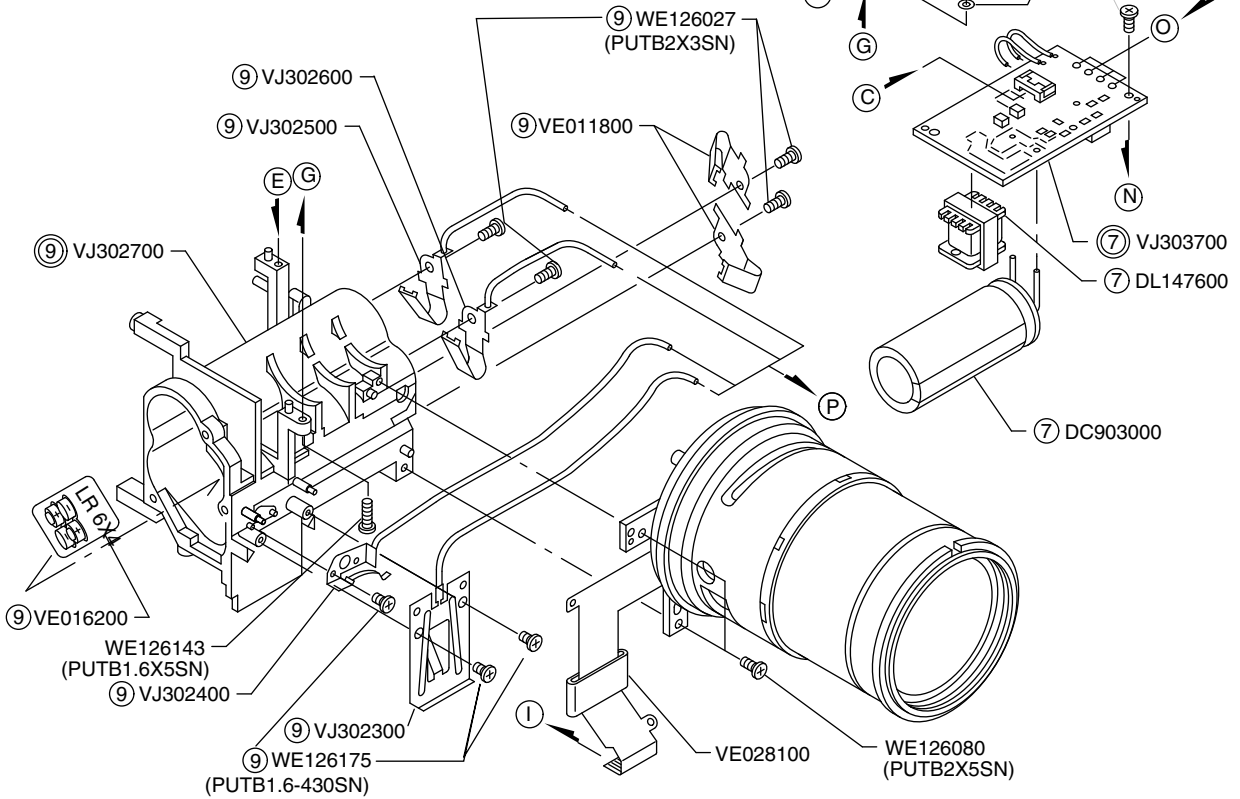
1



2



3

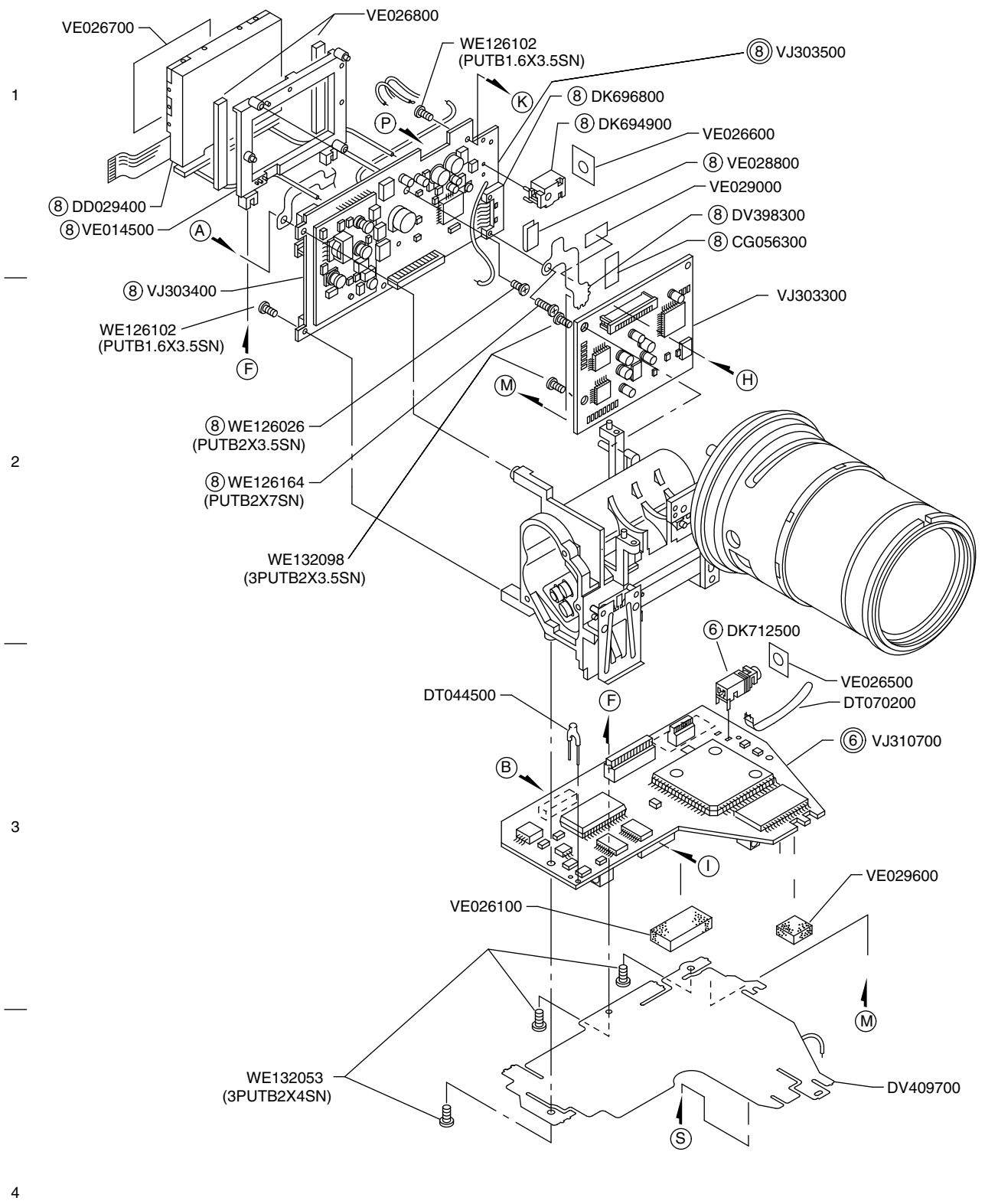


4

EXPLODED PARTS DIAGRAM

MODEL	HOUSE CODE or UNIT	FIG.
C-1400XL / D-620L	DCP	2/4
OLYMPUS OPTICAL CO.,LTD.TOKYO,JAPAN		

A | B | C | D



EXPLODED PARTS DIAGRAM

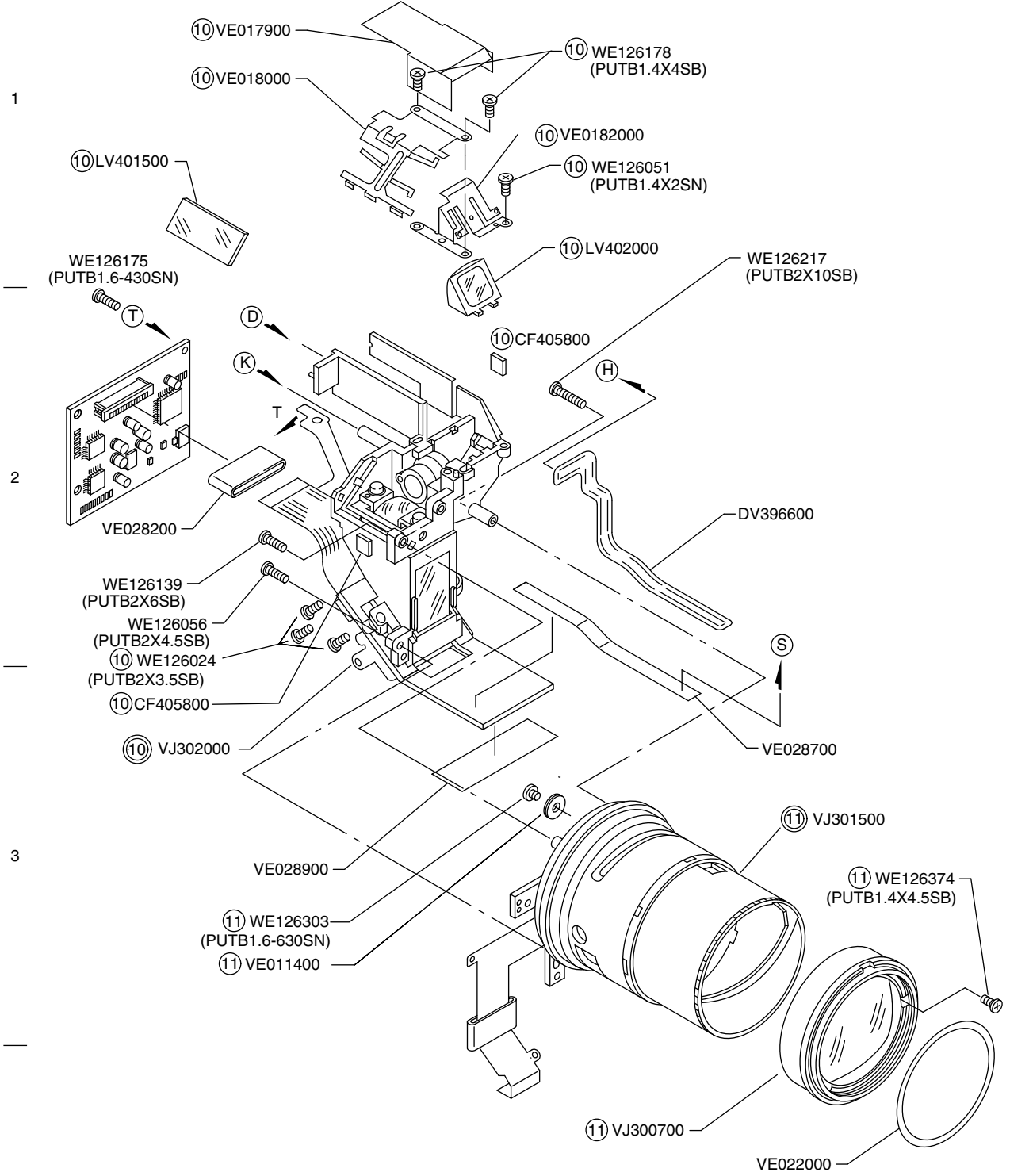
MODEL	HOUSE CODE or UNIT	FIG.
C-1400XL / D-620L	DCP	3/4
OLYMPUS OPTICAL CO.,LTD.TOKYO,JAPAN		

A

B

C

D



EXPLODED PARTS DIAGRAM

MODEL	HOUSE CODE or UNIT	FIG.
C-1400XL / D-620L	DCP	4/4
OLYMPUS OPTICAL CO.,LTD.TOKYO,JAPAN		

OLYMPUS
C-1400XL/ D-620L

PARTS LIST

1/2

PARTS NO.	NAME OF PARTS	NOTE	PARTS NO.	NAME OF PARTS	NOTE
CE569200	CP Cover	1-D2	VE013300	Z Lever Spring A	1-C3
CE575900	Socket Base	1-D2	+ VE013400	Reset Rubber	1-B2
CF405800	Light Shield Tape	4-B2	VE013500	SW Base	2-C2
			VE014200	RP Terminal	1-D2
CG056300	DX Tape		VE014500	TFT Base	3-B1
CG161300	Battery Cover Knob	1-A4	VE014700	Connector Cover T	1-B1
			VE015800	ST Lock Lever	1-D2
DC903000	M Capacitor	2-D3	VE016200	Battery Seal	2-A3
			VE016400	R Spring	1-D2
DD029400	TFT LCD	3-A1	VE017900	F Cap 1	4-B1
			VE018000	F Cap 2	4-B1
DK712500	232C Jack	3-C3	VE018200	F Cap 3	4-B1
DK694900	DC Jack	3-C1	VE018500	Diopter lever	1-B1
DK696800	Centronics Connentct	3-C1	VE018600	Diopter Gear	1-A2
			VE018800	Diopter Click	1-B1
DL147600	M Transformer	2-D3	VE022000	1G Seal	4-D4
			VE024300	Front Grip Tape 1	1-B3
DT044500	Battery Thermistor	3-C3	VE024400	Front Grip Tape 2	1-B3
DT070200	CCD Thermistor	3-D3	VE024600	Front Grip Tape 4	1-C3
			VE025000	Front Grip Tape 5	1-B3
DV396600	FCC3 F.P.C.	4-C2	+ VE025100	Socket	1-C2
DV398300	FCC4 F.P.C.	3-C1	+ VE025800	ST Cover P	1-C2
+ DV409700	G Plane F.P.C.	3-D4	+ VE026100	Bottom Sponge	3-C3
			+ VE026300	Model Seal PJE	1-C3
LV401500	2-Mirror	4-A1	+ VE026400	Model Seal PA	1-C3
LV402000	3-Prism	4-B1	VE026500	RS Sheet	3-D3
			VE026600	DC Sheet	3-C1
RGJ0-20		3-B1	VE026700	TFT Seal	3-A1
RGJ4-20		3-B1	VE026800	TFT Sponge	3-A1,B1
RIJ1-99		3-B1	VE027700	DCH Cover Screw 1	1-A2
RIJ5-95		3-B1	VE027800	DCH Cover Screw 2	1-A2
RIJ6-105		3-B1	VE027900	DCH Cover Screw 3	1-A1
			VE028100	Core L	2-B4
VE004100	Battery Contact-D1	1-A3	VE028200	Core M	4-A2
VE011100	Front Grip T	1-B3	VE028300	Core S	2-C2
VE011200	Rear Grip T	1-A2	VE028700	Capper Tape 1	4-C2
+ VE011400	DC CONNECT NW	4-C3	VE028800	Capper Tape 2	3-C1
VE011800	Battery Contact T2	2-C3	VE028900	Capper Tape 3	4-B3
VE011900	Battery Contact T3-D2	1-A3	VE029000	Capper Tape 4	3-C1
VE012000	Battery Case L	1-C3	VE029600	M Sponge	3-D3
VE012200	Card Cover	1-A3	VE029800	DCH ST Spring	1-D2
VE012300	B Cover Shaft	1-A3			
VE012800	Self LED Cover	1-C2	VJ300700	1G Frame #	4-D3
VE012900	Release Button	1-D2	VJ301500	Lens Frame #2	4-C3
VE013000	Z Lever	1-D2	VJ302000	CCD-Finder T #1	4-B2
VE013100	Z Contact	1-C3	VJ302200	Finder Lens #	1-B2
VE013200	RZ Base	1-C3	VJ302300	BU Battery Contact L1	2-B4

- : PARTS STILL AVAILABLE, = : PARTS NO LONGER AVAILABLE,
* : COCOM PARTS, + : NEW PARTS

Ver.1

PARTS LIST

OLYMPUS
C-1400XL/ D-620L

2/2

PARTS NO.	NAME OF PARTS	NOTE	PARTS NO.	NAME OF PARTS	NOTE
VJ302400	BU Battery Contact 2#	2-B3	KR046900	100KR 1/16W +-5%	R325,326(Main)
VJ302500	Battery Contact T1# 1	2-B3		CRG16GT104J	
VJ302600	Battery Contact T1# 1	2-B3			
VJ302700	Battery Case #	2-A3			
VJ303300	CCD C.B.A. T#2	3-B2			
VJ303400	PW C.B.A. #1	3-B1			
VJ303500	PW C.B.A. T #2	3-B1			
VJ303700	ST C.B.A. #2	2-D2			
VJ304000	PR Lever #	1-D1			
VJ305300	Battery Cover #	1-A3			
VJ307600	Rear Grip Tape	1-A2			
+ VJ309400	ST Case P #2	1-D1			
+ VJ309700	Front Cover PJE #2	1-D3			
+ VJ310000	Front Cover PA #2	1-D3			
+ VJ310200	Rear Cover P #2	1-A2			
+ VJ310400	Socket Base #	1-D2			
+ VJ310500	Sync FPC #	1-C2			
+ VJ310700	Main C.B.A. #2	3-C2			
+ VJ310800	SW FPC P #2	2-C1			
+ VJ310900	SW Base P #	2-C1			
WE126024	PUTB2x3.5SB				
WE126027	PUTB2x3SN				
WE126030	PUTB2x4SB				
WE126051	PUTB1.4x2SN				
WE126056	PUTB2x4.5SB				
WE126060	PUTB1.6x3SB				
WE126080	PUTB2x5SN				
WE126102	PUTB1.6x3.5SN				
WE126105	PUTB1.6x4SB				
WE126139	PUTB2x6SB				
WE126143	PUTB1.6x5SN				
WE126146	PUTB1.4-230SB				
WE126164	PUTB2x7SN				
WE126171	PUTB1.4x2.8SN				
WE126175	PUTB1.6-430SN				
WE126178	PUTB1.4x4SB				
WE126217	PUTB2x10SB				
WE126303	PUTB1.6-630SN				
WE126374	PUTB1.4x4.5SB				
WE127003	PUTB1.4x3SN				
WE132053	3PUTB2x4SN				
WE132098	3PUTB2x3.5SN				
WE301430	NW1.8-240PO				
DB102900	FUSE 2.5A 63V F0805B2R50FWTRM	F501(PW-CBA)			

- : PARTS STILL AVAILABLE, = : PARTS NO LONGER AVAILABLE,
* : COCOM PARTS, + : NEW PARTS

Ver.1