

A

B

C

D

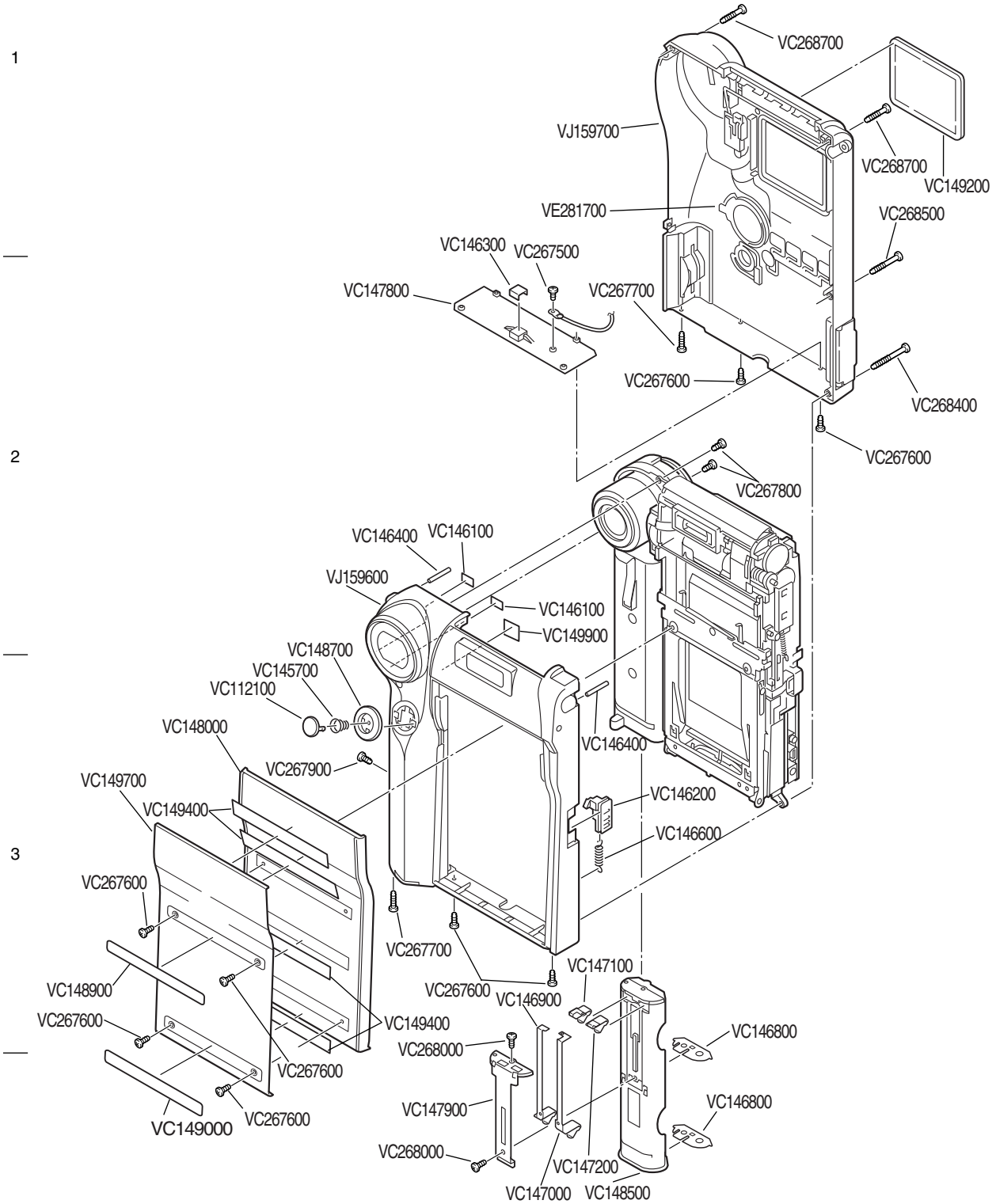
Cabinet 1

1

2

3

4



EXPLODED PARTS DIAGRAM

MODEL	FIG.
C-211 ZOOM	1/2
OLYMPUS OPTICAL CO.,LTD.TOKYO,JAPAN	

A

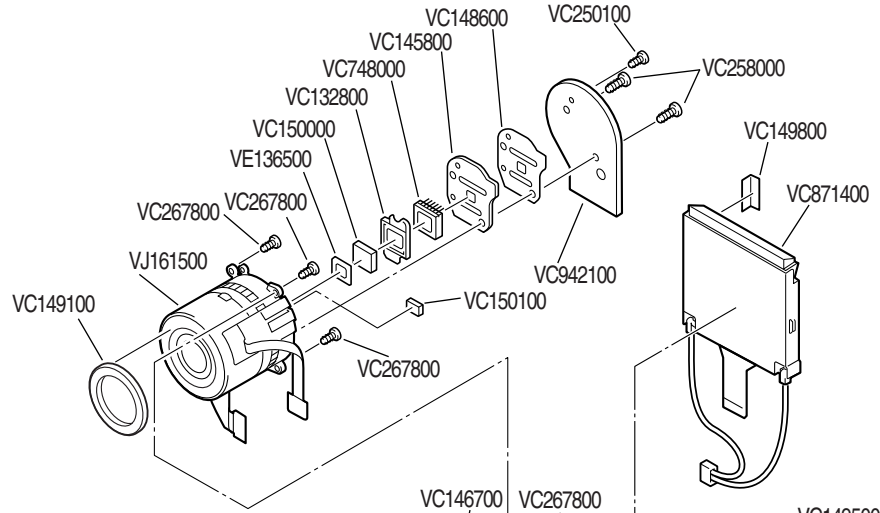
B

C

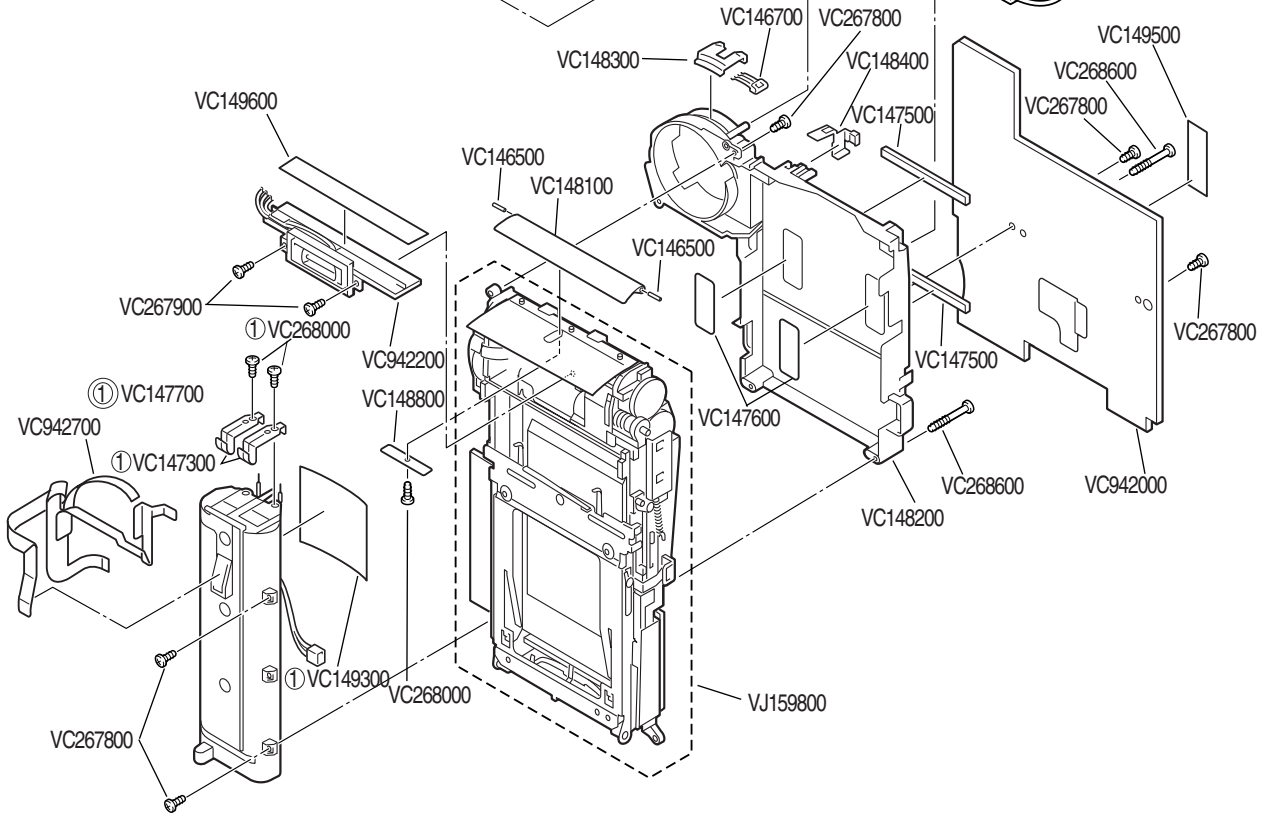
D

Cabinet 2

1



2



3

4

EXPLODED PARTS DIAGRAM

MODEL	FIG.
C-211 ZOOM	2/2
OLYMPUS OPTICAL CO.,LTD.TOKYO,JAPAN	

PARTS LIST

C-211 ZOOM

REF NO	PARTS NO	DESCRIPTION	REMARKS	NOTE
	VC112100	ASSY,BUTTON SHUTTER	1-A3	
	VC132800	SPACER	2-C1	
	VC133600	OPTICAL FILTER	2-C1	NEW
	VC145700	SPRING COMP RELEASE	1-A3	NEW
	VC145800	MOUNTING,LENS	2-C1	NEW
	VC146100	SPACER HOLDER F2	1-B2	NEW
	VC146200	KNOB OPEN	1-C3	NEW
	VC146300	SPACER STAND	1-B1	NEW
	VC146400	SHAFT STRAP,L	1-B2	NEW
	VC146500	SHAFT EXIT	2-B2	NEW
	VC146600	SPRING OPEN	1-C3	NEW
	VC146700	TERMINAL MD	2-C2	NEW
	VC146800	TERMINAL PLATE,1	1-C3	NEW
	VC146900	TERMINAL BATT,1	1-B3	NEW
	VC147000	TERMINAL BATT,2	1-B4	NEW
	VC147100	TERMINAL BATT,3	1-C3	NEW
	VC147200	TERMINAL BATT,4	1-C4	NEW
	VC147300	TERMINAL BATT,5	2-A3	NEW
	VC147500	SPACER C	2-C2	NEW
	VC147600	SPACER LCD	2-C3	NEW
	VC147700	COMPL,HOLDER BATT BOX	2-A3	NEW
	VC147800	COVER BOTTOM	1-B2	NEW
	VC147900	COVER BATTERY	1-B4	NEW
	VC148000	COVER PRINTER	1-A3	NEW
	VC148100	COVER EXIT	2-B2	NEW
	VC148200	HOLDER CHASSIS	2-C3	NEW
	VC148300	HOLDER MD	2-C2	NEW
	VC148400	HOLDER LED	2-C2	NEW
	VC148500	HOLDER BATT CASE	1-C4	NEW
	VC148600	SPACER INSULATOR	2-C1	NEW
	VC148700	HOLDER RELEASE	1-B2	NEW
	VC148800	HOLDER EXIT	2-B3	NEW
	VC148900	DEC PRINTER A	1-A3	NEW
	VC149000	DEC PRINTER B	1-A4	NEW
	VC149100	SPACER LENS	2-B2	NEW
	VC149200	DEC MONITOR	1-D1	NEW
	VC149300	SPACER FUSE	2-B3	NEW
	VC149400	ADHESIVE TAPE,PRINTER	1-A3	NEW
	VC149500	SHIELD TAPE	2-D2	NEW
	VC149600	SPACER FLASH	2-A2	NEW
	VC149700	DEC COVER PRINT	1-A3	NEW
	VC149800	SPACER L SHIELD	2-D1	NEW
	VC149900	SPACER	1-B2	NEW
	VC150100	PAD(L=5)	2-C2	NEW
	VC250100	SCR PAN 2X4	2-C1	
	VC258000	SCR S-TPG PAN 2X6	2-D1	

PARTS LIST

C-211 ZOOM

REF NO	PARTS NO	DESCRIPTION	REMARKS	NOTE
	VC267500	SCR PAN PCS 1.6X2.5	1-B1	NEW
	VC267600	SCR PAN PCS 1.6X3.5	1-C2	NEW
	VC267700	SCR S-TPG PAN PCS 1.6X7	1-C2	NEW
	VC267800	SCR S-TPG PAN PCS 1.6X5	1-C2	NEW
	VC267800	SCR S-TPG PAN PCS 1.6X5	2-B1	NEW
	VC267900	SCR S-TPG PAN PCS 1.6X4	1-B3	NEW
	VC267900	SCR S-TPG PAN PCS 1.6X4	2-A3	NEW
	VC268000	SCR S-TPG PAN PCS 1.6X3	1-B4	NEW
	VC268000	SCR S-TPG PAN PCS 1.6X3	2-B3	NEW
	VC268400	SPECIAL SCREW-1.6X25	1-D2	NEW
	VC268500	SPECIAL SCREW-1.6X20	1-D1	NEW
	VC268600	SPECIAL SCREW-1.6X17	2-D2	NEW
	VC268700	SPECIAL SCREW-1.6X15	1-C1	NEW
	VC748000	IC ICX284AK-B	2-C1	
	VC871400	LCD	2-D1	NEW
	VC942000	COMPL PWB,CP-1	2-D3	NEW
	VC942100	COMPL PWB,CA-1	2-C2	NEW
	VC942200	COMPL,REFLECTOR	2-B3	NEW
	VC942700	UNIT,FLEXIBLE-PWB	2-A3	NEW
	VE136500	SPACER VE1365	2-B1	
	VE281700	PRINT BUTTON	1-C1	NEW
	VJ159600	ASSY,CABINET FRONT	1-B2	NEW
	VJ159700	ASSY,CABINET BACK	1-C1	NEW
	VJ159800	UNIT,PRINTER	2-C3	NEW
	VJ161500	LENS	2-B2	
BZ301	VC856900	PZ BZR PKM13EPY-4002	CP-1	
CN101	VC871000	PLUG,PWB-PWB 50P TO CA1	CP-1	NEW
CN110	VC871200	PLUG,4P	CP-1	
CN141	VC869600	SOCKET,CARD 22PTO SMART MEDIA	CP-1	
CN171	VC871100	SOCKET,FPC 28P TO LCD	CP-1	NEW
CN181	VC870900	SOCKET,PWB-PWB 40P TO PRINTER	CP-1	NEW
CN320	VC869200	SOCKET,FPC 16P	CP-1	NEW
CN503	VC870600	PLUG,SIDE-ZR-SM3 2P TO LCD	CP-1	NEW
CN504	VC871500	PLUG,2P	CP-1	NEW
CN901	VC871300	SOCKET,PWB-PWB 50P	CA-1	NEW
CN951	VC869800	SOCKET,FFC 10PTO LENS	CP-1	NEW
CN952	VC869900	SOCKET,FFC 12P TO LENS	CP-1	NEW
F5001	VC865800	FUSE 32V 2A	CP-1	
F5002	VC865800	FUSE 32V 2A	CP-1	
IC101	VC742400	IC MB86836PMT2-G-BND	CP-1	
IC102	VC742800	IC MB87J1471PBT-G	CP-1	
IC103	VC742000	IC UPD4564163G5-A10B-9JF	CP-1	
IC106	VC746800	IC SN74LV273ADB	CP-1	
IC107	VC746800	IC SN74LV273ADB	CP-1	
IC111	VC742300	IC IMISG589BTB	CP-1	
IC112	VC748100	IC IMISG587ETB FSC CONVERTER	CP-1	

PARTS LIST

C-211 ZOOM

REF NO	PARTS NO	DESCRIPTION	REMARKS	NOTE
IC121	VC770600	IC 26800956B	CP-1	NEW
IC141	VC747800	IC SN74LV245ADB	CP-1	
IC142	VC770000	IC TC7SH32FU	CP-1	NEW
IC144	VC733000	IC PST9128NR	CP-1	
IC145	VC732900	IC TK11331BM	CP-1	
IC152	VC736900	IC TK15405M VIDEO-AMP	CP-1	
IC161	VC770200	IC TC7WHFU(BRA)	CP-1	NEW
IC162	VC770200	IC TC7WHFU(BRA)	CP-1	NEW
IC163	VC770200	IC TC7WHFU(BRA)	CP-1	NEW
IC164	VC770000	IC TC7SH32FU	CP-1	NEW
IC165	VC770100	IC TC7SH08FU	CP-1	NEW
IC171	VC744900	IC LV4127W LCD DRIVER	CP-1	
IC172	VC732300	IC LC4105V LEVEL SHIFTER	CP-1	
IC174	VC738400	IC TK11245BM REGULATOR	CP-1	
IC175	VC738900	IC TC7SET08FU	CP-1	
IC301	VC770800	IC UPD78062GC-A34-8EU	CP-1	NEW
IC302	VC727100	S-8423NFS BACKUP	CP-1	
IC501	VC735300	IC BA9737KV	CP-1	
IC502	VC727900	IC MB3800PNF--G	CP-1	
IC901	VC709200	IC TC7S08F	CA-1	
IC902	VC747900	IC 74AC04MTC H.DRIVER	CA-1	
IC904	VC740100	IC CXD3400N (V.DRIVER)	CA-1	
IC905	VC739100	IC AD9803JST	CA-1	
IC906	VC709200	IC TC7S08F	CA-1	
IC909	VC740300	IC TK11330BM	CA-1	
IC952	VC742100	IC LA6358NT	CP-1	
IC953	VC738100	IC LB1836M	CP-1	
IC954	VC738100	IC LB1836M	CP-1	
IC955	VC742200	IC TC7W66FK	CP-1	
IC956	VC742200	IC TC7W66FK	CP-1	
IC957	VC738100	IC LB1836M	CP-1	
JK102	VC859800	JACK,PHONE D3.6VIDEO JACK	CP-1	
JK501	VC857100	SOCKET,DCDC JACK	CP-1	
Q1303	VC614300	TR DTC115EU	CP-1	
Q1303	VC623300	TR DTC115EUA	CP-1	
Q1304	VC618200	TR DTC144EUA	CP-1	
Q1304	VC609300	TR UN5213	CP-1	
Q1305	VC620000	TR UMD3N	CP-1	
Q1501	VC619000	TR UMT1N	CP-1	
Q1502	VC619000	TR UMT1N	CP-1	
Q1503	VC619000	TR UMT1N	CP-1	
Q1504	VC615800	TR UMZ1N	CP-1	
Q1504	VC609800	TR XP4601	CP-1	
Q1505	VC609400	TR 2SA1745-7	CP-1	
Q1505	VC609500	TR 2SA1745-6	CP-1	
Q1506	VC618200	TR DTC144EUA	CP-1	

PARTS LIST

C-211 ZOOM

REF NO	PARTS NO	DESCRIPTION	REMARKS	NOTE
Q1506	VC609300	TR UN5213	CP-1	
Q1507	VC623200	TR DTC144EUA	CP-1	
Q1507	VC609300	TR UN5213	CP-1	
Q1601	VC617500	TR DTC114EUA	CP-1	
Q1602	VC609400	TR 2SA1745-7	CP-1	
Q1602	VC609500	TR 2SA1745-6	CP-1	
Q1701	VC607900	TR 2SD1819A-R	CP-1	
Q1701	VC603200	TR 2SC4081-R	CP-1	
Q1702	VC617500	TR DTC114EUA	CP-1	
Q1707	VC607800	TR 2SB1218A-R	CP-1	
Q1707	VC603300	TR 2SA1576-R	CP-1	
Q1707	VC618400	TR 2SA1576A-R	CP-1	
Q1901	VC607900	TR 2SD1819A-R	CP-1	
Q1901	VC603200	TR 2SC4081-R	CP-1	
Q3001	VC607900	TR 2SD1819A-R	CP-1	
Q3001	VC603200	TR 2SC4081-R	CP-1	
Q3003	VC618200	TR DTC144EUA	CP-1	
Q3003	VC609300	TR UN5213	CP-1	
Q3004	VC603600	TR 2SA1677	CP-1	
Q3004	VC614800	TR DTA124EU	CP-1	
Q3004	VC615300	TR UN5112	CP-1	
Q3004	VC622300	TR DTA124EUA	CP-1	
Q3005	VC617500	TR DTC114EUA	CP-1	
Q3006	VC617300	TR 2SA1577-Q	CP-1	
Q3006	VC614700	TR 2SA1577-R	CP-1	
Q3007	VC617300	TR 2SA1577-Q	CP-1	
Q3007	VC617400	TR 2SA1577-R	CP-1	
Q5001	VC619300	TR CPH3109	CP-1	
Q5002	VC623500	TR 2SA1576A-Q	CP-1	NEW
Q5002	VC618400	TR 2SA1576A-R	CP-1	
Q5002	VC623400	TR 2SA1576A-S	CP-1	NEW
Q5003	VC618600	TR 2SC4617 R	CP-1	
Q5004	VC616900	TR UMC2N	CP-1	
Q5005	VC617300	TR 2SA1577-Q	CP-1	
Q5005	VC617400	TR 2SA1577-R	CP-1	
Q5006	VC616700	TR UMH11N	CP-1	
Q5007	VC619700	TR CPH5701-TL	CP-1	
Q5008	VC619300	TR CPH3109	CP-1	
Q5009	VC616800	TR UMD2N	CP-1	
Q5011	VC619200	TR CPH3205	CP-1	
Q5012	VC604000	TR 2SB815-B7	CP-1	
Q5012	VC600700	TR 2SB815-B6	CP-1	
Q5012	VC618100	TR 2SB1197K-R	CP-1	
Q5013	VC618700	TR DTC114EE	CP-1	
Q5014	VC618000	TR 2SC3647-S	CP-1	
Q5014	VC621100	TR 2SC3647-T	CP-1	

PARTS LIST

C-211 ZOOM

REF NO	PARTS NO	DESCRIPTION	REMARKS	NOTE
Q5015	VC618000	TR 2SC3647-S	CP-1	
Q5015	VC621100	TR 2SC3647-T	CP-1	
Q5017	VC618600	TR 2SC4617 R	CP-1	
Q5022	VC618900	TR DTA114YE	CP-1	
Q5023	VC619700	TR CPH5701-TL SW	CP-1	
Q5024	VC616900	TR UMC2N	CP-1	
Q5025	VC618700	TR DTC114EE	CP-1	
Q5026	VC618700	TR DTC114EE	CP-1	
Q5401	VC618800	TR DTC123JE	CP-1	
Q5402	VC618700	TR DTC114EE	CP-1	
Q5405	VC619200	TR CPH3205	CP-1	
Q5406	VC619300	TR CPH3109	CP-1	
Q5407	VC618600	TR 2SC4617 R	CP-1	
Q5409	VC622100	TR CY25AAJ-8	CP-1	
Q9001	VC607900	TR 2SD1819A-R	CA-1	
Q9001	VC603200	TR 2SC4081-R	CA-1	
Q9002	VC620700	TR 2SC3931-D	CA-1	
Q9003	VC607900	TR 2SD1819A-R	CA-1	
Q9003	VC603200	TR 2SC4081-R	CA-1	
Q9004	VC617500	TR DTC114EUA	CA-1	
Q9005	VC607900	TR 2SD1819A-R	CA-1	
Q9005	VC603200	TR 2SC4081-R	CA-1	
Q9501	VC617800	TR 2SB1124-S	CP-1	
Q9502	VC607900	TR 2SD1819A-R	CP-1	
Q9502	VC603200	TR 2SC4081-R	CP-1	
Q9503	VC603800	TR 2SB1202-S	CP-1	
Q9503	VC620800	TR 2SB1202-T	CP-1	
Q9504	VC607900	TR 2SD1819A-R	CP-1	
Q9504	VC603200	TR 2SC4081-R	CP-1	
Q9507	VC618500	TR DTC123EU	CP-1	
Q9508	VC616400	TR 2SB1302-S	CP-1	
Q9509	VC617600	TR DTC123JUA	CP-1	
Q9510	VC621000	TR UMH10N	CP-1	
Q9512	VC618200	TR DTC144EUA	CP-1	
Q9512	VC609300	TR UN5213	CP-1	
Q9513	VC614700	TR 2SC4399-4	CP-1	
Q9513	VC602900	TR 2SC4399-5	CP-1	
Q9514	VC614300	TR DTC115EU	CP-1	
Q9514	VC622200	TR DTC115EUA	CP-1	
Q9546	VC618300	TR DTA144EUA	CP-1	
Q9546	VC609200	TR UN5113	CP-1	
S3001	VC869300	SWITCH,PUSH 1P-1T	CP-1	NEW
S3002	VC869300	SWITCH,PUSH 1P-1T	CP-1	NEW
S3003	VC869300	SWITCH,PUSH 1P-1T	CP-1	NEW
S3004	VC869300	SWITCH,PUSH 1P-1T	CP-1	NEW
S3005	VC869300	SWITCH,PUSH 1P-1T	CP-1	NEW

PARTS LIST

C-211 ZOOM

REF NO	PARTS NO	DESCRIPTION	REMARKS	NOTE
S3006	VC869300	SWITCH,PUSH 1P-1T	CP-1	NEW
S3007	VC869300	SWITCH,PUSH 1P-1T	CP-1	NEW
S3008	VC869300	SWITCH,PUSH 1P-1T	CP-1	NEW
S3010	VC869300	SWITCH,PUSH 1P-1T	CP-1	NEW
S3011	VC869300	SWITCH,PUSH 1P-1T	CP-1	NEW
S3012	VC863300	SWITCH,PUSH 1P-1TX1	CP-1	
S3013	VC863300	SWITCH,PUSH 1P-1TX1	CP-1	
S3016	VC863300	SWITCH,PUSH 1P-1TX1	CP-1	
T5001	VC870700	TRANS,POWER,PULSE1AV4L51B3040G	CP-1	NEW
T5002	VC870800	TRANS,POWER,PULSE1AV4L51B3050G	CP-1	NEW
T5003	VC864700	TRANS,POWER,PULSE1AV4L51B2740G	CP-1	
T5401	VC861800	TRANS,STEP UP	CP-1	
T5402	VC861700	TRANS,STEP UP	CP-1	
X1101	VC857600	OSC,CRYSTAL 14.31818MHZRIVER	CP-1	
X1701	VC861600	OSC,CRYSTAL 3.579545MHZRIVER	CP-1	
X3001	VC862100	OSC,CERAMIC 4.00MHZ	CP-1	
X3002	VC862000	OSC,CRYSTAL 32.768KHZ	CP-1	
Y1001	VC268300	SPECIAL SCREW-1.7X3.5ESMART MEDIA CN	CP-1	NEW
Y1002	VC126400	SHIELD TAPESHIELD TAPE	CP-1	
Y1102	VC942300	SPACER CP1 SIDE-A SR956	CP-1	NEW
Y5002	VC942400	SPACER CP1 SIDE-B-A SR956	CP-1	NEW
Y5003	VC942500	SPACER CP1 SIDE-B-B SR956	CP-1	NEW
	VC942600	SHILED TAPE	CA-1	NEW