

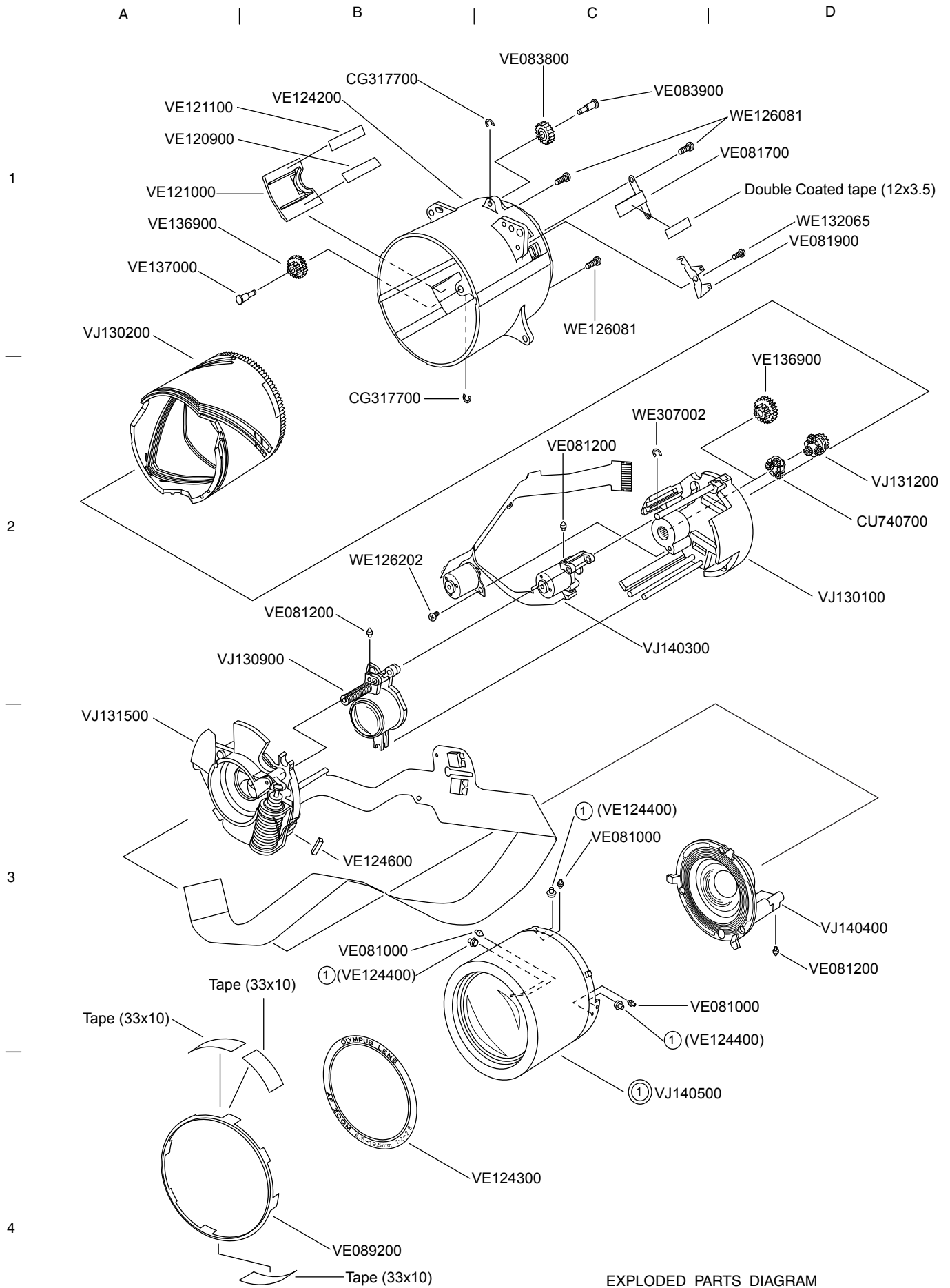
# EXPLODED PARTS DIAGRAM PARTS LIST

C-3030ZOOM/C-3000ZOOM

EXPLODED PARTS DIAGRAM.PARTS LIST







EXPLODED PARTS DIAGRAM

MODEL	FIG.
C-3030ZOOM/C-3000ZOOM	3/3
OLYMPUS OPTICAL CO.,LTD.TOKYO,JAPAN	

Ver.3/Rev.8  
2003.06

## PARTS LIST

C-3030ZOOM/C-3000ZOOM

REF NO	PARTS NO	DESCRIPTION	REMARKS	NOTE
	CG317700	3G STOPPER	3-B1,B2	
	CU740700	CARRIER A#	3-D2	
	VC113700	MOUNTING,LENS	2-C3	
	VC114000	HOLDER BRKT SY	2-D1	
	VC114100	ASSY,BUTTON RELEASE	2-A1	
	VC114600	ADHESIVE TAPE FRONT	1-A3	
	VC114700	ADHESIVE TAPE,D	1-D1	
	VC114800	ADHESIVE TAPE F	1-B2,2-A2,B2,C1	
	VC114900	ADHESIVE TAPE G	1-B2	
	VC115300	SHIELD TAPE	1-B4	
	VC115400	SHIELD TAPE	1-C3	
	VC115500	SPACER MONITOR LIGHT	1-B2	
	VC115700	SPACER MON LIGHT,B	1-B2	
	VC115800	SPACER MON LIGHT,C	1-B2	
	VC116400	PAD(L=15)	1-C3	
	VC126600	ADHESIVE TAPE H,B	2-B2	
	VC126700	SPACER SHIELD M,B	1-B2	
	VC126800	SPACER	2-B3	
	VC129800	DENCHIBAN FLEX	2-B1	NEW
	VC129900	ASSY,CABNET TOP	1-A1	NEW
	VC130000	COMPL,COVER BATTERY	1-D4	NEW
	VC130100	ASSY,WIRE BATTERY&ST1	2-B1	NEW
	VC130200	SPACER INSULATOR	2-C3	NEW
	VC130300	FLEXIBLE PWB2,JOINT	1-B2	NEW
	VC130400	SHIELD TAPE	1-C3	NEW
	VC130600	COVER BUTTON J	1-C1	NEW
	VC130700	SHIELD TAPE	2-B4	NEW
	VC130800	FLEXIBLE PWB, CA1-CA2	2-C3	NEW
	VC130900	SPACER CHASSIS	2-B3	NEW
	VC131000	SHAFT JACK	1-D2	NEW
	VC131100	SPACER SHEET	2-B3	NEW
	VC131200	MICROPHONE	2-C3	NEW
	VC131300	ADHESIVE TAPE [C-3000ZOOM]	1-B2	NEW
	VC136600	SHIELD TAPE	1-C3	NEW
	VC258000	SCR S-TPG PAN 2X6	2-D3	
	VC260300	SCR S-TPG PAN PCS 1.4X2	1-D4	
	VC264100	SCR S-TPG PAN PCS 1.7X6	2-B4	
	VC264500	SCR S-TPG PAN PCS 1.7X4.0	1-A1	
	VC264600	SCR PAN 2X2.5	2-C3	
	VC264900	SCR S-TPG PAN PCS 1.4X2.5	2-A2	
	VC265300	SCR S-TPG PAN PCS 1.7X4	2-A3,2-C2	
	VC265500	SPECIAL SCREW 1.4X2	1-B2	
	VC265900	SPECIAL SCREW1.6X3.5	1-B2	
	VC266200	SCR S-TPG PAN PCS 1.4X3.5	1-A1,2-C2	NEW
	VC266300	SPECIAL SCREW 1.4X5	1-C3,1-B1	NEW
	VC746600	IC ICX252AK-B	2-B3	NEW
	VC861400	COMPL,REFLECTOR	2-A2	
	VC864400	LCD	1-C2	
	VC866500	OPTICAL FILTER	2-B4	NEW
	VC936600	COMPL PWB CA-2 [C-3030 ZOOM(J)NTSC]	2-D2	NEW
	VC936700	COMPL PWB,CA-1	2-C3	NEW
	VC936800	COMPL PWB,CA-2 [C-3030 ZOOM(E),(G)PAL]	2-D2	NEW
	VC936900	COMPL PWB,SY-1	2-D1	NEW
	VC937000	COMPL PWB,ST-1	2-C2	NEW

## PARTS LIST

C-3030ZOOM/C-3000ZOOM

REF NO	PARTS NO	DESCRIPTION	REMARKS	NOTE
	VC937100	ASSY,UNIT,FLEXIBLE PWB	2-B1	NEW
	VC937200	COMPL PWB,CA-2 [C-3030 ZOOM(U),(G)NTSC]	2-D2	NEW
	VC937300	COMPL PWB,CA-2 [C-3000ZOOM(U)]	2-D2	NEW
	VC937400	COMPL PWB,CA-2 [C-3000ZOOM(E)]	2-D2	NEW
	VC940300	COMPL PWB,CA-2 [C-3000ZOOM(J)]	2-D2	NEW
	VE081000	CAM PIN A	3-B3,C3	
	VE081200	CAM PIN C	3-B2.C2	
	VE081700	FPC PLATE	3-D1	
	VE081900	PR PLATE	3-D1	
	VE083800	CAM GEAR	3-C1	
	VE083900	CAM GEAR SHAFT	3-C1	
	VE083901	GEAR SR951/JO	2-B3	
	VE084000	SHAFT GEAR SR951/JO	2-B3	
	VE084700	HOLDER MODE	2-A1	
	VE085400	TERMINAL MD	2-A2	
	VE085500	BALL CLICK	2-A2	
	VE085600	SPRING M	2-A1	
	VE085900	SPRING Z	2-A2	
	VE086200	SPRING R	2-A1	
	VE087400	DEC MONITOR	1-D1	
	VE087600	HOLDER MONITOR	1-B2	
	VE087800	SHAFT CARD	1-B1	
	VE088500	BUTTON LM	1-C2	
	VE089200	L FRAME	3-B4	
	VE089300	BALL CLICK VF	1-C3,1-B1	NEW
	VE089900	STAND	1-B3	
	VE120900	G COVER TAPE L	3-A1	
	VE121000	G COVER	3-A1	
	VE121100	G COVER TAPE R	3-A1	
	VE121500	HOLDER LED	2-B3	
	VE124200	C HOLDER	3-B1	NEW
	VE124300	DEC LENS	3-C4	NEW
	VE124600	SG SPONGE	3-B3	NEW
	VE136900	Z GEAR	3-A1,D2	
	VE137000	Z GEAR SHAFT	3-A1	
	VE202200	BUTTON J	1-C1	
	VE202400	BUTTON OK	1-B2	
	VE202500	HOLDER BRKT JSW	1-B2	
	VE203100	SPACER BUTTON OK	1-B2	
	VE203300	GUIDE LEVER Z	2-A2	
	VE203400	GUIDE DIAL M	2-A2	
	VE208300	TERMINAL BATTERY	2-B3	OLD
	VE208500	KNOB DIAL	2-A1	NEW
	VE208600	COVER MD	1-A1	NEW
	VE208700	TERMINAL Z	2-A2	NEW
	VE208800	COVER BATTERY	1-D4	NEW
	VE208900	TERMINAL CB,A	1-D4	NEW
	VE209000	TERMINAL CB,B	1-D4	NEW
	VE209100	SLIDE LOCK	1-D4	NEW
	VE209200	COVER CARD	1-B1	NEW
	VE209300	CABINET FRONT	1-B3	NEW
	VE209400	HOLDER BATTERY	1-B3	NEW
	VE209500	HOLDER BATTERY A	2-B2	NEW
	VE209600	HOLDER BATTERY B	2-A3	NEW

## PARTS LIST

C-3030ZOOM/C-3000ZOOM

REF NO	PARTS NO	DESCRIPTION	REMARKS	NOTE
	VE209700	COVER FRONT	1-A4	NEW
	VE209800	MOUNTING STRAP,L	1-B1	NEW
	VE209900	MOUNTING STRAP,R	1-C3	NEW
	VE210000	MOUNTING STRAP	1-C3,1-B1	NEW
	VE210200	SPRING CLICK	1-C3,1-B1	NEW
	VE210300	HOLDER BTKT STCN	1-C4	NEW
	VE210400	CAP STROBO	1-C4	NEW
	VE210600	COVER JACK	1-D2	NEW
	VE210900	LEVER Z	2-A1	NEW
	VE288600	ASSY,CABINET TOP [C-3000ZOOM]	1-A1	NEW
	VE288700	COVER FRONT [C-3000ZOOM]	1-A4	NEW
	VE288800	COVER JACK [C-3000ZOOM]	1-D2	NEW
	VE297300	TERMINAL BATTERY	2-B3	NEW
	VE311700	HOLDER CHASSIS	2-B2	
	VJ130100	LENS BARREL#	3-D2	
	VJ130200	CAM FRAME#	3-A1	
	VJ130900	4G FRAME#-2	3-B2	
	VJ131200	CARRIER B#	3-D2	
	VJ131500	S FRAME#	3-A3	
	VJ140200	LENS(ASSY)	2-B4	NEW
	VJ140300	4Z FRAME#	3-C2	NEW
	VJ140400	2Z FRAME#	3-D3	NEW
	VJ140500	1Z FRAME#	3-C4	NEW
	VJ140600	LENS,VF	2-C2	NEW
	VJ143000	SOCKET,SYNCHRO	1-C4	NEW
	VJ214700	ASSY,CABINET BACK	1-C1	
	WE126081	PUTB1.6X4SN	3-C1,D1	
	WE126202	PUTB1.4X3SB	3-B2	
	WE132065	3PUTB1.6X3SB	3-D1	
	WE307002	ER1.2UO	3-C2	
A3101	VC866600	LCD(LM-7086C)	PWB	NEW
A3102	VC866200	UNIT,IR RECEIVER PACK REMOCON	PWB	NEW
BZ311	VC856900	PZ BZR PKM13EPY-4002	PWB	
CN110	VC866800	USB JACK	CA-2	NEW
CN141	VC864300	SOCKET,CARD 24P TO SMARTMEDIA	CA-2	
F5001	VC865800	FUSE 32V 2A	ST-1	NEW
F5002	VC865800	FUSE 32V 2A	ST-1	NEW
F5003	VC865900	FUSE 32V 1A	ST-1	NEW
IC101	VC742400	IC MB86836PMT2-G-BND CPU	CA-2	
IC102	VC747100	IC KS5M9U1262CBP	CA-2	NEW
IC103	VC746900	IC HM5225325FBP-B60	CA-2	NEW
IC103	VC747500	IC HM5212325FBP-B60 [C-3000ZOOM]	CA-2	NEW
IC106	VC746800	IC SN74LV273ADB	CA-2	NEW
IC107	VC746800	IC SN74LV273ADB	CA-2	NEW
IC111	VC742300	IC IMISG589BTB CLOCK-GENERATOR	CA-2	
IC121	VC747300	IC 26302351D [C-3030ZOOM(E),(G)PAL]	CA-2	NEW
IC121	VC747400	IC 26301351F [C-3030ZOOM(U),(G)NTSC]	CA-2	NEW
IC121	VC747600	IC 27300353DN [C-3000ZOOM(U)]	CA-2	NEW
IC121	VC747700	IC 27302353D [C-3000ZOOM(E)]	CA-2	NEW
IC121	VC748600	IC 27301353E [C-3000ZOOM(J)]	CA-2	NEW
IC131	VC735100	IC ADM3202ARU	CA-2	
IC145	VC735000	IC TK11348BM	CA-2	
IC146	VC741900	IC TC7S32FU	CA-2	
IC152	VC736900	IC TK15405M VIDEO AMP	CA-2	

## PARTS LIST

C-3030ZOOM/C-3000ZOOM

REF NO	PARTS NO	DESCRIPTION	REMARKS	NOTE
IC153	VC735000	IC TK11348BM	CA-2	
IC171	VC740000	IC LV4131W	CA-2	
IC174	VC740300	IC TK11330BM	CA-2	
IC175	VC738900	IC TC7SET08FU	CA-2	
IC183	VC746200	IC LMV321M7X	CA-2	NEW
IC184	VC732900	IC TK11331BM	CA-2	
IC185	VC746200	IC LMV321M7X	CA-2	NEW
IC186	VC746300	IC ADG701BRT	CA-2	NEW
IC301	VC747200	IC UPD78063GC-A33-8EU	SY-1	NEW
IC302	VC727100	S-8423NFS	BACKUP	SY-1
IC501	VC735300	IC BA9737KV	ST-1	
IC502	VC734800	IC TC7S08FU	ST-1	
IC503	VC727900	IC MB3800PNF--G	ST-1	
IC902	VC739200	IC 74ACT04MTC	(H.DRIVER)	CA-1
IC904	VC740100	IC CXD3400N	(H.DRIVER)	CA-1
IC905	VC746700	IC AD9842JST	CA-1	NEW
IC909	VC746400	IC TK11333BM	CA-1	NEW
IC951	VC746500	IC S-8520B33MC	CA-2	NEW
IC952	VC743500	IC NJM2125F	CA-2	
IC953	VC746100	IC LB1846M	ZOOM DRIVER	CA-2
IC954	VC746100	IC LB1846M	FOCUS DRIVER	CA-2
IC955	VC742200	IC TC7W66FK	ANALOG SW	CA-2
IC956	VC742200	IC TC7W66FK	ANALOG SW	CA-2
IC957	VC746100	IC LB1846M	IRIS DRIVER	CA-2
JK112	VC866000	JACK,PHONE D3.6	CA-2	NEW
JK131	VC859500	JACK,PHONE D2.6	PC JACK	CA-2
JK501	VC857100	SOCKET,DC	DC JACK	ST-1
Q1111	VC609300	TR UN5213	CA-2	
Q1111	VC618200	TR DTC144EUA	CA-2	
Q1301	VC609300	TR UN5213	CA-2	
Q1301	VC618200	TR DTC144EUA	CA-2	
Q1303	VC609200	TR UN5113	CA-2	
Q1303	VC618300	TR DTA144EUA	CA-2	
Q1304	VC609300	TR UN5213	CA-2	
Q1304	VC618200	TR DTC144EUA	CA-2	
Q1305	VC620000	TR UMD3N	CA-2	
Q1501	VC619000	TR UMT1N	CA-2	
Q1502	VC609800	TR XP4601	CA-2	
Q1502	VC615800	TR UMZ1N	CA-2	
Q1503	VC609800	TR XP4601	CA-2	
Q1503	VC615800	TR UMZ1N	CA-2	
Q1509	VC609300	TR UN5213	CA-2	
Q1509	VC618200	TR DTC144EUA	CA-2	
Q1601	VC617500	TR DTC114EUA	CA-2	NEW
Q1601	VC621700	TR UN5211	CA-2	NEW
Q1602	VC609400	TR 2SA1745-7	CA-2	
Q1602	VC609500	TR 2SA1745-6	CA-2	
Q1701	VC609800	TR XP4601	CA-2	
Q1701	VC615800	TR UMZ1N	CA-2	
Q1702	VC609800	TR XP4601	CA-2	
Q1702	VC615800	TR UMZ1N	CA-2	
Q1803	VC621800	TR UMX1N	CA-2	NEW
Q1806	VC621800	TR UMX1N	CA-2	NEW
Q1807	VC620000	TR UMD3N	CA-2	



## PARTS LIST

C-3030ZOOM/C-3000ZOOM

REF NO	PARTS NO	DESCRIPTION	REMARKS	NOTE
Q3001	VC603600	TR 2SA1677	SY-1	
Q3001	VC614800	TR DTA124EU	SY-1	
Q3001	VC615300	TR UN5112	SY-1	
Q3002	VC602600	TR 2SA1676	SY-1	
Q3002	VC609200	TR UN5113	SY-1	
Q3002	VC611800	TR DTA144EU	SY-1	
Q3003	VC604100	TR 2SC4396	SY-1	
Q3003	VC604700	TR DTC144EU	SY-1	
Q3003	VC609300	TR UN5213	SY-1	
Q3004	VC619500	TR DTC144EE	SY-1	
Q3005	VC620900	TR DTA114EE	SY-1	
Q3006	VC620900	TR DTA114EE	SY-1	
Q3008	VC619500	TR DTC144EE	SY-1	
Q3031	VC603200	TR 2SC4081-R	SW	
Q3031	VC607900	TR 2SD1819A-R	SW	
Q5001	VC619300	TR CPH3109	ST-1	
Q5002	VC621400	TR 2SA1774 R	ST-1	NEW
Q5003	VC618600	TR 2SC4617 R	ST-1	
Q5004	VC616900	TR UMC2N	ST-1	
Q5005	VC622000	TR 2SA2018	ST-1	NEW
Q5006	VC616700	TR UMH11N	ST-1	
Q5007	VC619700	TR CPH5701	SW	
Q5008	VC619300	TR CPH3109	ST-1	
Q5009	VC622000	TR 2SA2018	ST-1	NEW
Q5010	VC618900	TR DTA114YE	ST-1	
Q5011	VC618600	TR 2SC4617 R	ST-1	
Q5012	VC618700	TR DTC114EE	ST-1	
Q5013	VC619200	TR CPH3205	ST-1	
Q5014	VC622000	TR 2SA2018	ST-1	NEW
Q5015	VC618700	TR DTC114EE	ST-1	
Q5016	VC615900	TR UMY1N	ST-1	
Q5017	VC619800	TR FTS2005	ST-1	
Q5018	VC619700	TR CPH5701	SW	
Q5019	VC618700	TR DTC114EE	ST-1	
Q5401	VC618800	TR DTC123JE	ST-1	
Q5402	VC618700	TR DTC114EE	ST-1	
Q5405	VC619200	TR CPH3205	ST-1	
Q5406	VC619300	TR CPH3109	ST-1	
Q5407	VC618600	TR 2SC4617 R	ST-1	
Q5409	VC622100	TR CY25AAJ-8	ST-1	NEW
Q5450	VC621500	TR DTA143ZE	ST-1	NEW
Q5451	VC621600	TR DTC143ZE	ST-1	NEW
Q5452	VC618600	TR 2SC4617 R	ST-1	
Q5453	VC619100	TR UMC5N	ST-1	
Q5454	VC621600	TR DTC143ZE	ST-1	NEW
Q9001	VC603200	TR 2SC4081-R	CA-1	
Q9001	VC607900	TR 2SD1819A-R	CA-1	
Q9002	VC620700	TR 2SC3931-D	CA-1	
Q9003	VC603200	TR 2SC4081-R	CA-1	
Q9003	VC607900	TR 2SD1819A-R	CA-1	
Q9005	VC607800	TR 2SB1218A-R	CA-1	
Q9503	VC603200	TR 2SC4081-R	CA-2	
Q9503	VC607900	TR 2SD1819A-R	CA-2	
Q9504	VC621900	TR CPH3105	CA-2	NEW

## PARTS LIST

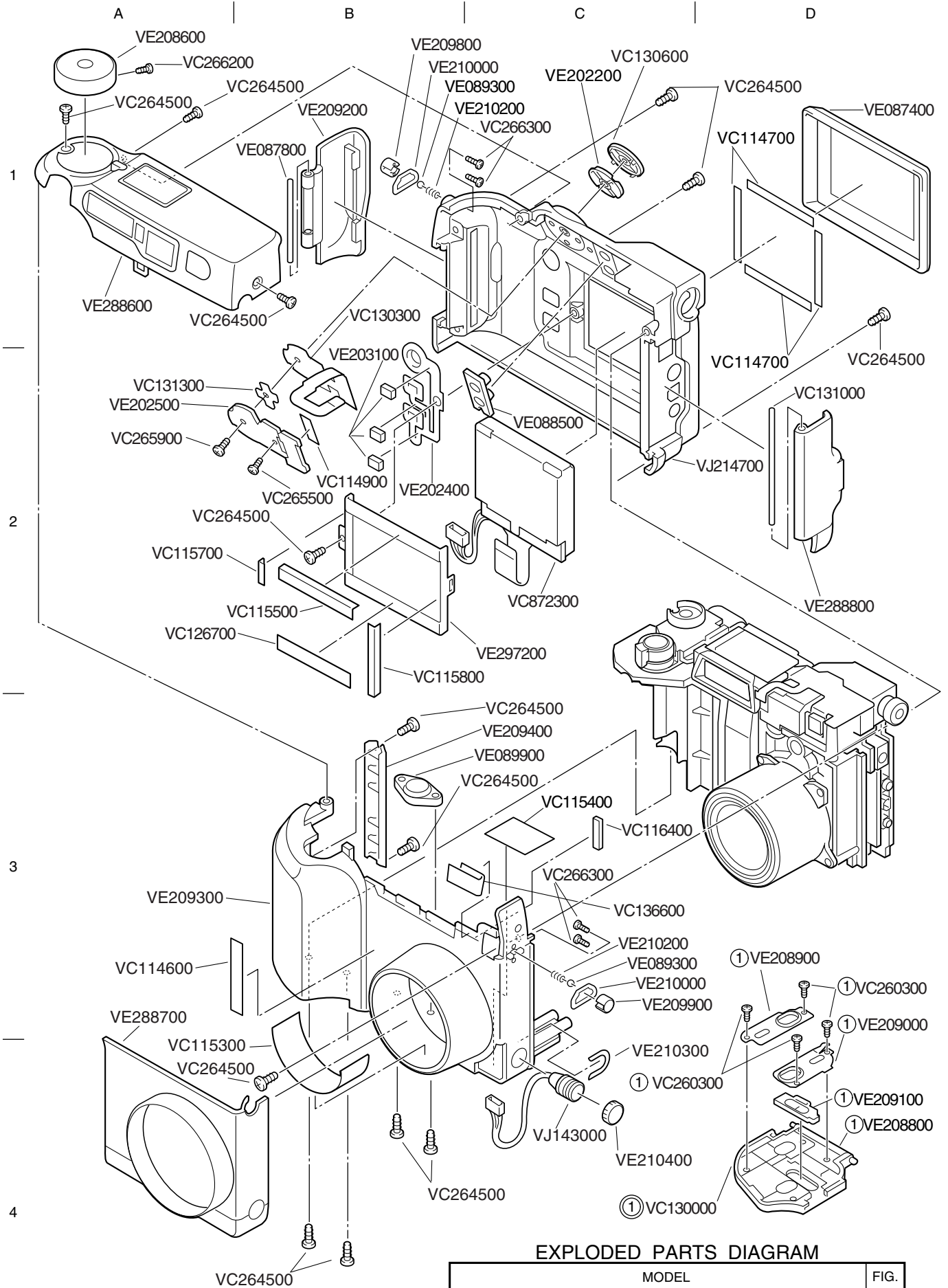
C-3030ZOOM/C-3000ZOOM

REF NO	PARTS NO	DESCRIPTION	REMARKS	NOTE
Q9505	VC619300	TR CPH3109	CA-2	
Q9506	VC614300	TR DTC115EU	CA-2	
Q9509	VC621000	TR UMH10N	CA-2	
Q9510	VC621000	TR UMH10N	CA-2	
Q9512	VC609300	TR UN5213	CA-2	
Q9512	VC618200	TR DTC144EUA	CA-2	
Q9513	VC614700	TR 2SC4399-4	CA-2	
Q9514	VC602900	TR 2SC4399-5	CA-2	
Q9514	VC614300	TR DTC115EU	CA-2	
S3001	VC861500	SWITCH,PUSH	SY-1	
S3002	VC861500	SWITCH,PUSH	SY-1	
S3003	VC861500	SWITCH,PUSH	SY-1	
S3004	VC863300	SWITCH,PUSH 1P-1TX1	SY-1	
S3011	VC866100	SWITCH,PUSH 1P-2TX1	PWB	NEW
T5001	VC866300	TRANS,POWER,PULSE	ST-1	NEW
T5002	VC866400	TRANS,POWER,PULSE	ST-1	NEW
T5003	VC862400	TRANS,POWER,PULSE	ST-1	
T5401	VC861800	TRANS,STEP UP	ST-1	
T5402	VC861700	TRANS,STEP UP	ST-1	
X1101	VC857600	OSC,CRYSTAL 14.31818MHZ [(U),(G)NTSC] RIVER	CA-2	
X1101	VC858200	OSC,CRYSTAL 17.734476MHZ [(E),(G)PAL] RIVER	CA-2	
X1101	VC864500	OSC,CRYSTAL 14.31818MHZ [(U),(G)NTSC] RIVER	CA-2	
X1701	VC861600	OSC,CRYSTAL 3.579545MHZ [(U),(G)NTSC] RIVER	CA-2	
X1701	VC862500	OSC,CRYSTAL 4.433619MHZ [(E),(G)PAL] RIVER	CA-2	
X3001	VC864200	OSC,CERAMIC 4.00MHZ	SY-1	
X3002	VC862000	OSC,CRYSTAL 32.768KHZ	SY-1	
Y1001	VC126400	SHIELD TAPE	CA-2	
Y1103	VC126500	SPACER CA2-B,SIDE-B	CA-2	
	VC126200	SPACER SHEET ST-1	ST-1	
	VC130500	SHIELD TAPE	CA-1	NEW
	VE2890	SERIAL NUMBER SEAL FOR OE (Made in Japan) (C-3000ZOOM)		
	VE3051	SERIAL NUMBER SEAL FOR OE (Made in Korea) (C-3000ZOOM)		
	VE2889	SERIAL NUMBER SEAL FOR OAI (Made in Japan) (C-3000ZOOM)		
	VE3050	SERIAL NUMBER SEAL FOR OAI (Made in Korea) (C-3000ZOOM)		

# EXPLODED PARTS DIAGRAM PARTS LIST

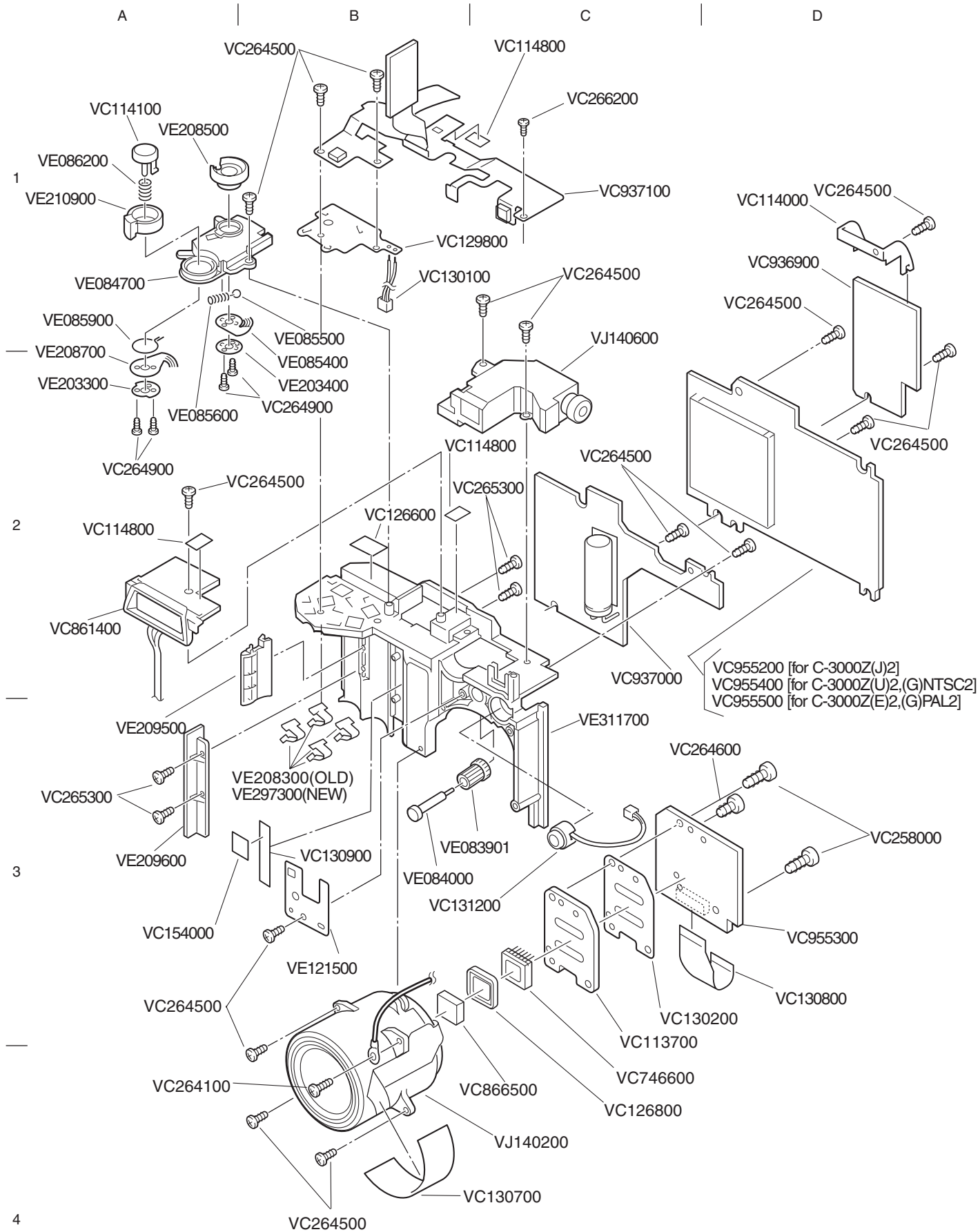
C-3000ZOOM2

EXPLODED PARTS DIAGRAM.PARTS LIST



EXPLODED PARTS DIAGRAM

MODEL	FIG.
C-3000ZOOM2	1/3
OLYMPUS OPTICAL CO.,LTD.TOKYO,JAPAN	



EXPLODED PARTS DIAGRAM

MODEL	FIG.
C-3000ZOOM2	2/3
OLYMPUS OPTICAL CO.,LTD.TOKYO,JAPAN	



## PARTS LIST

C-3000ZOOM2

REF NO	PARTS NO	DESCRIPTION	REMARKS	NOTE
	CG317700	3G STOPPER	3-B1.B2	
	CU740700	CARRIER A#	3-D2	
	VC113700	MOUNTING,LENS	2-C3	
	VC114000	HOLDER BRKT SY	2-D1	
	VC114100	ASSY,BUTTON RELEASE	2-A1	
	VC114600	ADHESIVE TAPE FRONT	1-A3	
	VC114700	ADHESIVE TAPE,D	1-D2	
	VC114800	ADHESIVE TAPE F	2-A2	
	VC114900	ADHESIVE TAPE G	1-B2	
	VC115300	SHIELD TAPE	1-A4	
	VC115400	SHIELD TAPE	1-C3	
	VC115500	SPACER MONITOR LIGHT	1-B2	
	VC115700	SPACER MON LIGHT,B	1-A2	
	VC115800	SPACER MON LIGHT,C	1-B2	
	VC116400	PAD(L=15)	1-C3	
	VC126600	ADHESIVE TAPE H,B	2-B2	
	VC126700	SPACER SHIELD M,B	1-A2	
	VC126800	SPACER	2-C4	
	VC129800	DENCHIBAN FLEX	2-B1	
	VC130000	COMPL,COVER BATTERY	1-D4	
	VC130100	ASSY,WIRE BATTERY&ST1	2-B1	
	VC130200	SPACER INSULATOR	2-C3	
	VC130300	FLEXIBLE PWB2,JOINT	1-B1	
	VC130600	COVER BUTTON J	1-C1	
	VC130700	SHIELD TAPE	2-C4	
	VC130800	FLEXIBLE PWB,SX351CA1-CA2	2-D3	
	VC130900	SPACER CHASSIS	2-B3	
	VC131000	SHAFT JACK	1-D2	
	VC131200	MICROPHONE	2-C3	
	VC131300	ADHESIVE TAPE ZYUZI	1-A2	
	VC136600	SHILED TAPE	1-C3	
	VC154000	SPACER SHEET	2-A3	
	VC258000	SCR S-TPG PAN 2X6	2-D3	
	VC260300	SCR S-TPG PAN PCS 1.4X2	1-D3	
	VC264100	SCR S-TPG PAN PCS 1.7X6	2-A4	
	VC264500	SCR S-TPG PAN PCS 1.7X4.0	1-B4	
	VC264500	SCR S-TPG PAN PCS 1.7X4.0	2-B4	
	VC264600	SCR PAN 2X2.5	2-D3	
	VC264900	SCR S-TPG PAN PCS 1.4X2.5	2-B2	
	VC265300	SCR S-TPG PAN PCS 1.7X4	2-A3	
	VC265500	SPECIAL SCREW-1.4X2	1-B2	
	VC265900	SPECIAL SCREW-1.6X3.5	1-A2	
	VC266200	SCR S-TPG PAN PCS 1.4X3.5	1-A1	
	VC266200	SCR S-TPG PAN PCS 1.4X3.5	2-C1	
	VC266300	SPECIAL SCREW-1.4X5	1-C3	
	VC746600	IC ICX252AK-B	2-C4	
	VC861400	COMPL,REFLECTOR	2-A2	
	VC866500	OPTICAL FILTER	2-C4	
	VC872300	LCD	1-C2	
	VC936900	COMPL PWB,SY-1	2-D1	
	VC937000	COMPL PWB,ST-1	2-C2	
	VC937100	ASSY,UNIT,FLEXIBLE PWB	2-C1	

## PARTS LIST

C-3000ZOOM2

REF NO	PARTS NO	DESCRIPTION	REMARKS	NOTE
	VC955200	COMPL PWB,CA-2 [C-3000ZOOM(J)2]	2-D2	NEW
	VC955300	COMPL PWB,CA-1	2-D3	NEW
	VC955400	COMPL PWB,CA-2 [C-3000ZOOM(U)2,(G)NTSC2]	2-D2	NEW
	VC955500	COMPL PWB,CA-2 [C-3000ZOOM(E)2,(G)PAL2]	2-D2	NEW
	VE081000	CAM PIN A	3-B3,C3	
	VE081200	CAM PIN C	3-B2,C2	
	VE081700	FPC PLATE	3-D1	
	VE081900	PR PLATE	3-D1	
	VE083800	CAM GEAR	3-C1	
	VE083900	CAM GEAR SHAFT	3-C1	
	VE083901	GEAR	2-C3	
	VE084000	SHAFT GEAR	2-B3	
	VE084700	HOLDER MODE	2-A1	
	VE085400	TERMINAL MD	2-B2	
	VE085500	BALL CLICK	2-B2	
	VE085600	SPRING M	2-B1	
	VE085900	SPRING Z	2-A1	
	VE086200	SPRING R	2-A1	
	VE087400	DEC MONITOR	1-D1	
	VE087800	SHAFT CARD	1-B1	
	VE088500	BUTTON LM	1-C2	
	VE089200	L FRAME	3-B4	
	VE089300	BALL CLICK VF	1-C3	
	VE089900	STAND	1-C3	
	VE120900	G COVER TAPE L	3-A1	
	VE121000	G COVER	3-A1	
	VE121100	G COVER TAPE R	3-A1	
	VE121500	HOLDER LED	2-B3	
	VE124200	C HOLDER	3-B1	NEW
	VE124300	DEC LENS	3-C4	NEW
	VE124600	SG SPONGE	3-B3	NEW
	VE136900	Z GEAR	3-A1,D2	
	VE137000	Z GEAR SHAFT	3-A1	
	VE202200	BUTTON J	1-C1	
	VE202400	BUTTON OK	1-B2	
	VE202500	HOLDER BRKT JSW	1-A2	
	VE203100	SPACER BUTTON OK	1-B2	
	VE203300	GUIDE LEVER Z	2-A2	
	VE203400	GUIDE DIAL M	2-B2	
	VE208300	TERMINAL BATTERY	2-B3	OLD
	VE208500	KNOB DIAL	2-A1	
	VE208600	COVER MD	1-A1	
	VE208700	TERMINAL Z	2-A2	
	VE208800	COVER BATTERY	1-D4	
	VE208900	TERMINAL CB,A	1-D3	
	VE209000	TERMINAL CB,B	1-D3	
	VE209100	SLIDE LOCK	1-D4	
	VE209200	COVER CARD	1-B1	
	VE209300	CABINET FRONT	1-A3	
	VE209400	HOLDER BATTERY	1-C3	
	VE209500	HOLDER BATTERY A	2-A3	
	VE209600	HOLDER BATTERY B	2-A3	



## PARTS LIST

C-3000ZOOM2

REF NO	PARTS NO	DESCRIPTION	REMARKS	NOTE
	VE209800	MOUNTING STRAP,L	1-B1	
	VE209900	MOUNTING STRAP,R	1-C3	
	VE210000	MOUNTING STRAP	1-C3	
	VE210200	SPRING CLICK	1-C3	
	VE210300	HOLDER BTKT STCN	1-C4	
	VE210400	CAP STROBO	1-C4	
	VE210900	LEVER Z	2-A1	
	VE288600	ASSY,CABINET TOP	1-A1	
	VE288700	COVER FRONT	1-A3	
	VE288800	COVER JACK	1-D2	
	VE297200	HOLDER MONITOR	1-C2	
	VE297300	TERMINAL BATTERY	2-B3	NEW
	VE311700	HOLDER CHASSIS	2-C3	
	VJ130100	LENS BARREL#	3-D2	
	VJ130200	CAM FRAME#	3-A1	
	VJ130900	4G FRAME#-2	3-B2	
	VJ131200	CARRIER B#	3-D2	
	VJ131500	S FRAME#	3-A3	
	VJ140200	LENS(ASSY)	2-C4	
	VJ140300	4Z FRAME#	3-C2	NEW
	VJ140400	2Z FRAME#	3-D3	NEW
	VJ140500	1Z FRAME#	3-C4	NEW
	VJ140600	LENS,VF(ASSY)	2-C1	
	VJ143000	SOCKET,SYNCHRO	1-C4	
	VJ214700	ASSY,CABINET BACK	1-D2	NEW
	WE126081	PUTB1.6X4SN	3-C1,D1	
	WE126202	PUTB1.4X3SB	3-B2	
	WE132065	3PUTB1.6X3SB	3-D1	
	WE307002	ER1.2UO	3-C2	
A3101	VC866600	LCD(LM-7086C)	PWB	
A3102	VC866200	UNIT,IR RECEIVER PACK	REMOCON	PWB
BZ311	VC856900	PZ BZR PKM13EPY-4002	PWB	
CN110	VC866800	PLUG,4P	TO USB	CA-2
CN141	VC864300	SOCKET,CARD 24P	TO SMARTMEDIA	CA-2
F5001	VC865800	FUSE 32V 2A	ST-1	
F5002	VC865800	FUSE 32V 2A	ST-1	
F5003	VC865900	FUSE 32V 1A	ST-1	
IC101	VC742400	IC MB86836PMT2-G-BND	CPU	CA-2
IC102	VC772600	IC KS5M0U1338CBP		CA-2
IC103	VC747500	IC HM5212325FBP-B60		CA-2
IC106	VC746800	IC SN74LV273ADB		CA-2
IC107	VC746800	IC SN74LV273ADB		CA-2
IC111	VC742300	IC IMISG589BTB	CLOCK-GENERATOR	CA-2
IC121	VC774700	IC 27307353A	[C-3000ZOOM(J)2] PROGRAM FLASH	CA-2
IC121	VC774900	IC 27306353A	[C-3000ZOOM(U)2,(G)NTSC2] PROGRAM FLASH	CA-2
IC121	VC774800	IC 27308353A	[C-3000ZOOM(E)2,(G)PAL2] PROGRAM FLASH	CA-2
IC131	VC735100	IC ADM3202ARU		CA-2
IC131	VC774200	IC SP3232ECY		CA-2
IC145	VC735000	IC TK11348BM		CA-2
IC146	VC741900	IC TC7S32FU		CA-2
IC152	VC736900	IC TK15405M	VIDEO AMP	CA-2
IC153	VC735000	IC TK11348BM		CA-2

## PARTS LIST

C-3000ZOOM2

REF NO	PARTS NO	DESCRIPTION	REMARKS	NOTE
IC171	VC740000	IC LV4131W	LCD DRIVER	CA-2
IC174	VC740300	IC TK11330BM	REGULATOR	CA-2
IC175	VC738900	IC TC7SET08FU		CA-2
IC182	VC746200	IC LMV321M7X		CA-2
IC183	VC746200	IC LMV321M7X		CA-2
IC184	VC732900	IC TK11331BM		CA-2
IC185	VC746200	IC LMV321M7X		CA-2
IC186	VC746300	IC ADG701BRT		CA-2
IC301	VC747200	IC UPD78063GC-A33-8EU		SY-1
IC302	VC727100	S-8423NFS	BACKUP	SY-1
IC501	VC735300	IC BA9737KV		ST-1
IC502	VC734800	IC TC7S08FU		ST-1
IC503	VC727900	IC MB3800PNF--G		ST-1
IC901	VC745100	IC TC7W14FK	SCHMITT INVERTER	CA-1
IC902	VC739200	IC 74ACT04MTC		CA-1
IC904	VC740100	IC CXD3400N		CA-1
IC905	VC746700	IC AD9842JST		CA-1
IC909	VC746400	IC TK11333BM		CA-1
IC951	VC746500	IC S-8520B33MC		CA-2
IC952	VC743500	IC NJM2125F		CA-2
IC953	VC746100	IC LB1846M	ZOOM DRIVER	CA-2
IC954	VC746100	IC LB1846M	FOCUS DRIVER	CA-2
IC955	VC742200	IC TC7W66FK	ANALOG SW	CA-2
IC956	VC742200	IC TC7W66FK	ANALOG SW	CA-2
IC957	VC746100	IC LB1846M	IRIS DRIVER	CA-2
JK112	VC866000	JACK,PHONE D3.6		CA-2
JK131	VC859500	JACK,PHONE D2.6	PC JACK	CA-2
JK501	VC857100	SOCKET,DC	DC JACK	ST-1
Q1111	VC622200	TR DTC115EUA		CA-2
Q1111	VC614300	TR DTC115EU		CA-2
Q1301	VC618200	TR DTC144EUA		CA-2
Q1301	VC609300	TR UN5213		CA-2
Q1303	VC618300	TR DTA144EUA		CA-2
Q1303	VC609200	TR UN5113		CA-2
Q1304	VC618200	TR DTC144EUA		CA-2
Q1304	VC609300	TR UN5213		CA-2
Q1305	VC620000	TR UMD3N		CA-2
Q1501	VC619000	TR UMT1N		CA-2
Q1502	VC615800	TR UMZ1N		CA-2
Q1502	VC609800	TR XP4601		CA-2
Q1503	VC615800	TR UMZ1N		CA-2
Q1503	VC609800	TR XP4601		CA-2
Q1509	VC618200	TR DTC144EUA		CA-2
Q1509	VC609300	TR UN5213		CA-2
Q1601	VC617500	TR DTC114EUA		CA-2
Q1601	VC621700	TR UN5211		CA-2
Q1602	VC609400	TR 2SA1745-7		CA-2
Q1602	VC609500	TR 2SA1745-6		CA-2
Q1701	VC615800	TR UMZ1N		CA-2
Q1701	VC609800	TR XP4601		CA-2
Q1702	VC615800	TR UMZ1N		CA-2
Q1702	VC609800	TR XP4601		CA-2

## PARTS LIST

C-3000ZOOM2

REF NO	PARTS NO	DESCRIPTION	REMARKS	NOTE
Q1803	VC621800	TR UMX1N	CA-2	
Q1806	VC621800	TR UMX1N	CA-2	
Q1807	VC620000	TR UMD3N	CA-2	
Q3001	VC603600	TR 2SA1677	SY-1	
Q3001	VC614800	TR DTA124EU	SY-1	
Q3001	VC615300	TR UN5112	SY-1	
Q3002	VC602600	TR 2SA1676	SY-1	
Q3002	VC611800	TR DTA144EU	SY-1	
Q3002	VC609200	TR UN5113	SY-1	
Q3003	VC604100	TR 2SC4396	SY-1	
Q3003	VC604700	TR DTC144EU	SY-1	
Q3003	VC609300	TR UN5213	SY-1	
Q3004	VC619500	TR DTC144EE	SY-1	
Q3005	VC620900	TR DTA114EE	SY-1	
Q3006	VC620900	TR DTA114EE	SY-1	
Q3008	VC619500	TR DTC144EE	SY-1	
Q3031	VC607900	TR 2SD1819A-R	SW	
Q3031	VC603200	TR 2SC4081-R	SW	
Q5001	VC619300	TR CPH3109	ST-1	
Q5002	VC621400	TR 2SA1774 R	ST-1	
Q5003	VC618600	TR 2SC4617 R	ST-1	
Q5004	VC616900	TR UMC2N	ST-1	
Q5005	VC622000	TR 2SA2018	ST-1	
Q5006	VC616700	TR UMH11N	ST-1	
Q5007	VC619700	TR CPH5701	SW	
Q5008	VC619300	TR CPH3109	ST-1	
Q5009	VC622000	TR 2SA2018	ST-1	
Q5010	VC618900	TR DTA114YE	ST-1	
Q5011	VC618600	TR 2SC4617 R	ST-1	
Q5012	VC618700	TR DTC114EE	ST-1	
Q5013	VC619200	TR CPH3205	ST-1	
Q5014	VC622000	TR 2SA2018	ST-1	
Q5015	VC618700	TR DTC114EE	ST-1	
Q5016	VC615900	TR UMY1N	ST-1	
Q5017	VC619800	TR FTS2005	ST-1	
Q5018	VC619700	TR CPH5701	SW	
Q5019	VC618700	TR DTC114EE	ST-1	
Q5401	VC618800	TR DTC123JE	ST-1	
Q5402	VC618700	TR DTC114EE	ST-1	
Q5405	VC619200	TR CPH3205	ST-1	
Q5406	VC619300	TR CPH3109	ST-1	
Q5407	VC618600	TR 2SC4617 R	ST-1	
Q5409	VC622100	TR CY25AAJ-8	ST-1	
Q5450	VC621500	TR DTA143ZE	ST-1	
Q5451	VC621600	TR DTC143ZE	ST-1	
Q5452	VC618600	TR 2SC4617 R	ST-1	
Q5453	VC619100	TR UMC5N	ST-1	
Q5454	VC621600	TR DTC143ZE	ST-1	
Q9001	VC607900	TR 2SD1819A-R	CA-1	
Q9001	VC603200	TR 2SC4081-R	CA-1	
Q9002	VC620700	TR 2SC3931-D	CA-1	
Q9003	VC607900	TR 2SD1819A-R	CA-1	

## PARTS LIST

C-3000ZOOM2

REF NO	PARTS NO	DESCRIPTION	REMARKS	NOTE
Q9003	VC603200	TR 2SC4081-R	CA-1	
Q9005	VC607800	TR 2SB1218A-R	CA-1	
Q9503	VC607900	TR 2SD1819A-R	CA-2	
Q9503	VC603200	TR 2SC4081-R	CA-2	
Q9504	VC621900	TR CPH3105	CA-2	
Q9505	VC619300	TR CPH3109	CA-2	
Q9506	VC614300	TR DTC115EU	CA-2	
Q9509	VC621000	TR UMH10N	CA-2	
Q9510	VC621000	TR UMH10N	CA-2	
Q9512	VC618200	TR DTC144EUA	CA-2	
Q9512	VC609300	TR UN5213	CA-2	
Q9513	VC614700	TR 2SC4399-4	CA-2	
Q9513	VC602900	TR 2SC4399-5	CA-2	
Q9514	VC614300	TR DTC115EU	CA-2	
S3001	VC861500	SWITCH,PUSH	SY-1	
S3002	VC861500	SWITCH,PUSH	SY-1	
S3003	VC861500	SWITCH,PUSH	SY-1	
S3004	VC863300	SWITCH,PUSH 1P-1TX1	SY-1	
S3011	VC866100	SWITCH,PUSH 1P-2TX1	PWB	
T5001	VC866300	TRANS,POWER,PULSE	ST-1	
T5002	VC866400	TRANS,POWER,PULSE	ST-1	
T5003	VC862400	TRANS,POWER,PULSE	ST-1	
T5401	VC861800	TRANS,STEP UP	ST-1	
T5402	VC861700	TRANS,STEP UP	ST-1	
X1101	VC857600	OSC,CRYSTAL 14.31818MHZ [C-3000ZOOM(U),(G)NTSC]	CA-2	
X1101	VC864500	OSC,CRYSTAL 14.31818MHZ [C-3000ZOOM(U),(G)NTSC]	CA-2	
X1101	VC858200	OSC,CRYSTAL 17.734476MHZ [C-3000ZOOM(E),(G)PAL]	CA-2	
X1701	VC861600	OSC,CRYSTAL 3.579545MHZ [C-3000ZOOM(U),(G)NTSC]	CA-2	
X1701	VC862500	OSC,CRYSTAL 4.433619MHZ [C-3000ZOOM(E),(G)PAL]	CA-2	
X3001	VC864200	OSC,CERAMIC 4.00MHZ	SY-1	
X3002	VC862000	OSC,CRYSTAL 32.768KHZ	SY-1	
Y1001	VC126400	SHIELD TAPE SHIELDTAPE	CA-2	
Y1103	VC126500	SPACER CA2-B,SIDE-B SPACER SHILD CA2-SIDE-B	CA-2	
	VC130500	SHIELD TAPE	CA-1	
	VC126200	SPACER SHEET ST-1 C5412	ST-1	
	VE2890	SERIAL NUMBER SEAL FOR OE (Made in Japan)		
	VE3051	SERIAL NUMBER SEAL FOR OE (Made in Korea)		
	VE2889	SERIAL NUMBER SEAL FOR OAI (Made in Japan)		
	VE3050	SERIAL NUMBER SEAL FOR OAI (Made in Korea)		