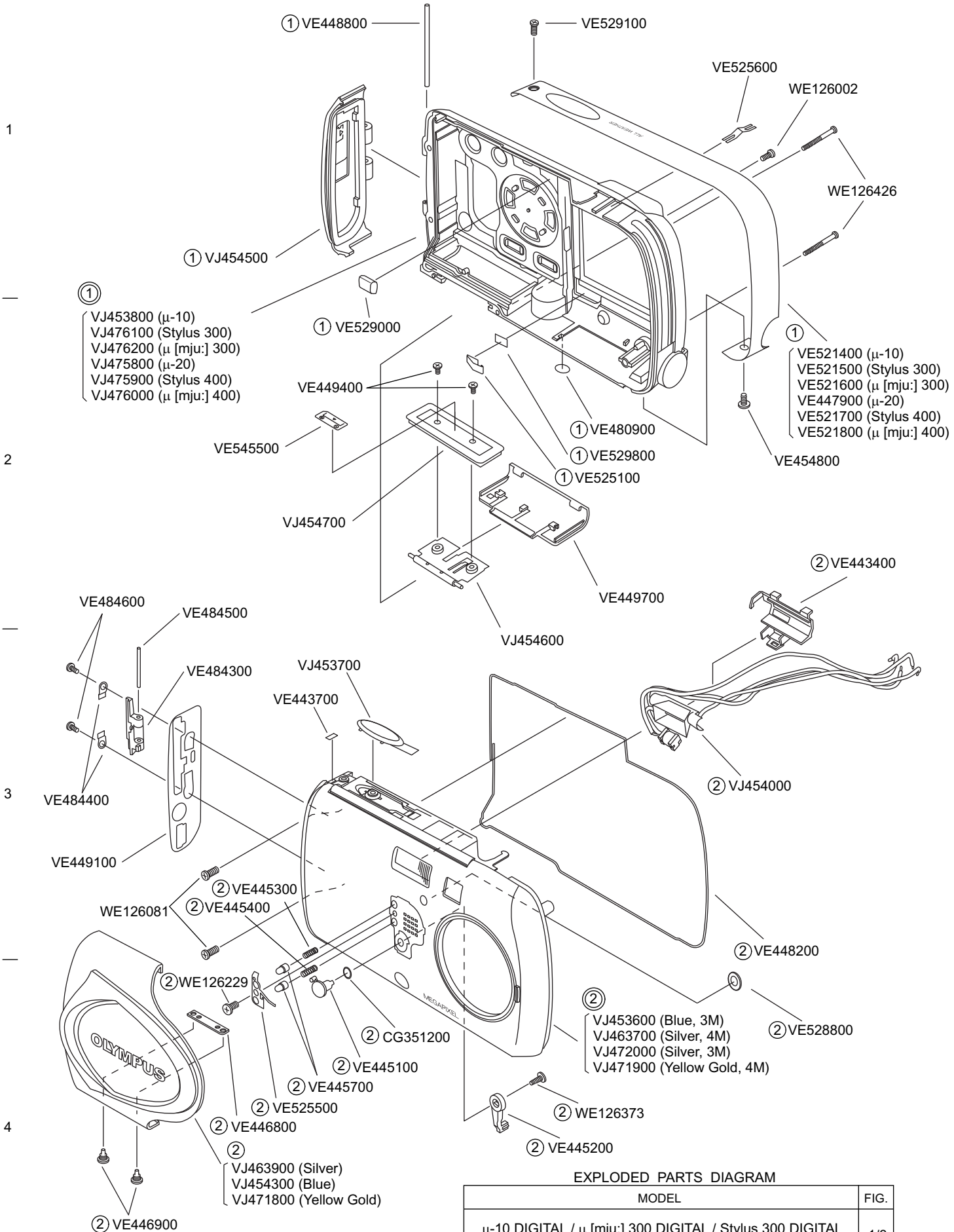


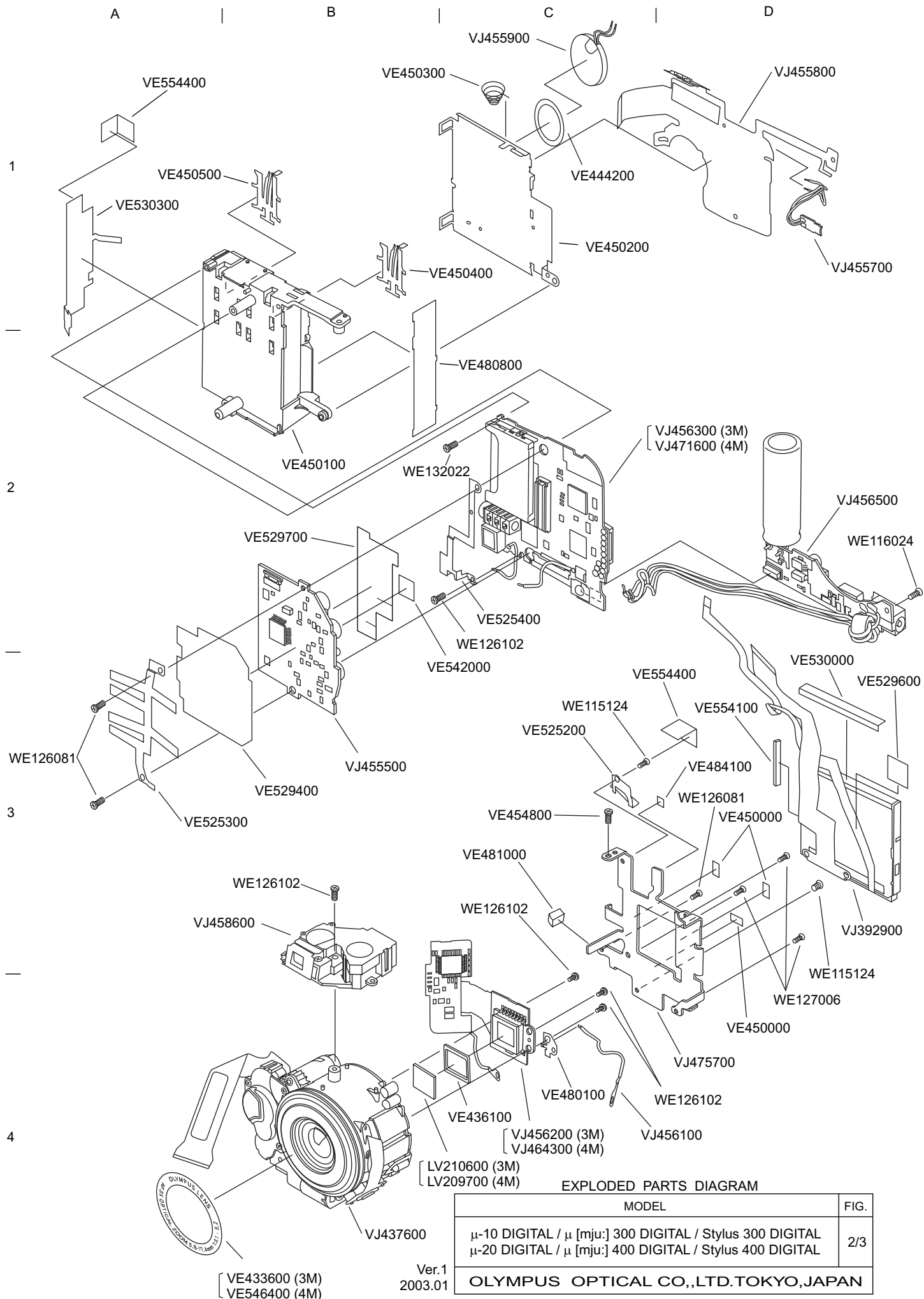
A | B | C | D



EXPLODED PARTS DIAGRAM

MODEL	FIG.
μ-10 DIGITAL / μ [mju:] 300 DIGITAL / Stylus 300 DIGITAL μ-20 DIGITAL / μ [mju:] 400 DIGITAL / Stylus 400 DIGITAL	1/3
OLYMPUS OPTICAL CO.,LTD.TOKYO,JAPAN	

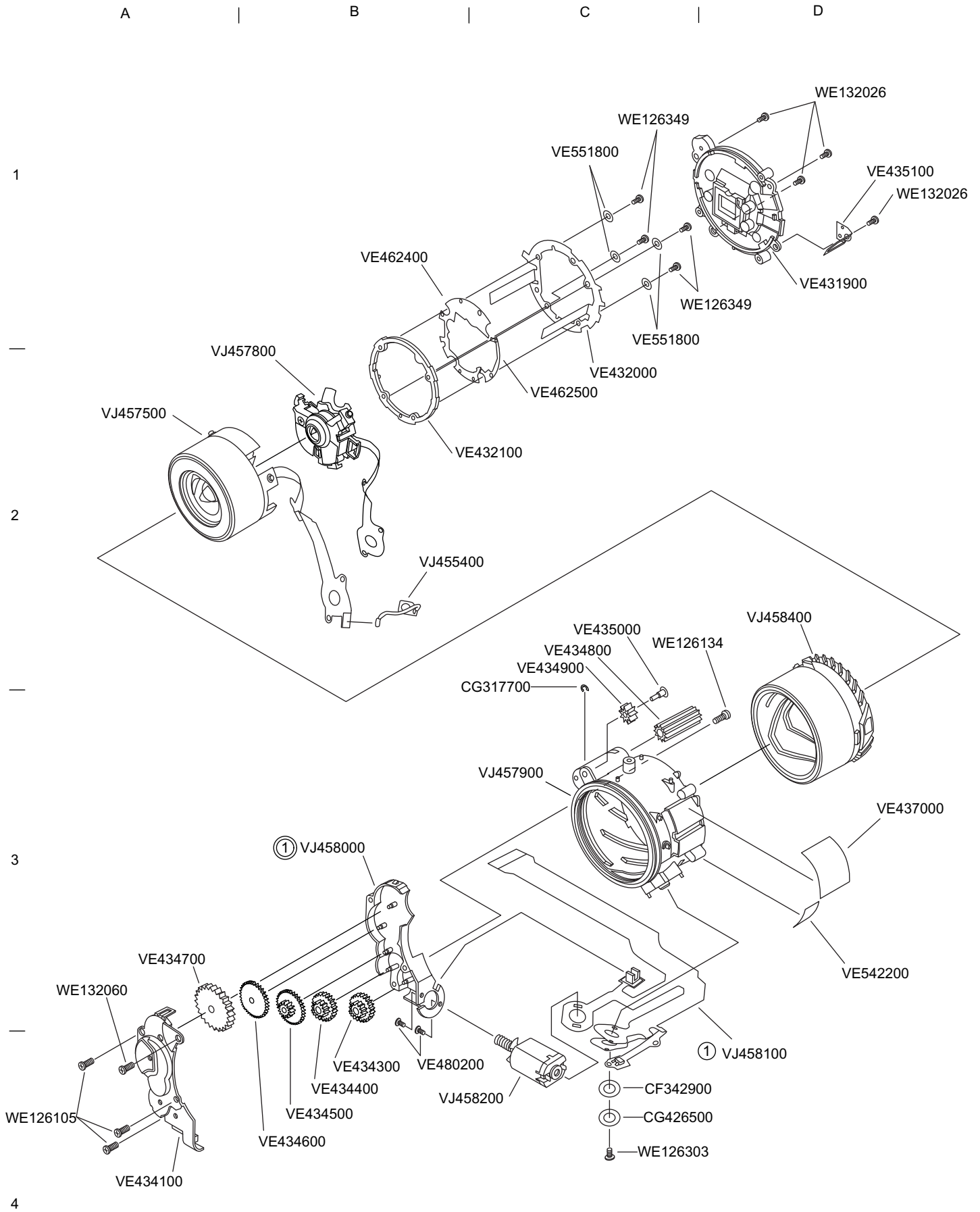
Ver.1/Rev.3
2003.05



EXPLODED PARTS DIAGRAM

MODEL	FIG.
μ-10 DIGITAL / μ [mju:] 300 DIGITAL / Stylus 300 DIGITAL μ-20 DIGITAL / μ [mju:] 400 DIGITAL / Stylus 400 DIGITAL	2/3
OLYMPUS OPTICAL CO.,LTD.TOKYO,JAPAN	

Ver.1
2003.01



EXPLODED PARTS DIAGRAM

MODEL	FIG.
μ-10 DIGITAL / μ [mju:] 300 DIGITAL / Stylus 300 DIGITAL μ-20 DIGITAL / μ [mju:] 400 DIGITAL / Stylus 400 DIGITAL	3/3
OLYMPUS OPTICAL CO., LTD. TOKYO, JAPAN	

Ver.1
2003.01

PARTS LIST

 μ -10/ μ [mju:] 300/Stylus 300 DIGITAL μ -20/ μ [mju:] 400/Stylus 400 DIGITAL

REF NO	PARTS NO	DESCRIPTION	REMARKS	NOTE
	CF342900	ConnectRubber	3-C4	NEW
	CG317700	3GStoper	3-C2	NEW
	CG351200	BK RING	1-B4	NEW
	CG426500	ConnectPlate	3-C4	NEW
F200	DB157800	FUSE 2A	PW-PCA	
F201	DB157800	FUSE 2A	PW-PCA	
F202	DB157800	FUSE 2A	PW-PCA	
F203	DB157800	FUSE 2A	PW-PCA	
F204	DB157800	FUSE 2A	PW-PCA	
F205	DB157800	FUSE 2A	PW-PCA	
F206	DB157600	FUSE 1.25A	PW-PCA	
S1200	DY298800	BarrierSW	MC-PCA	NEW
S1201	DY300100	CardCoverSW	MC-PCA	NEW
	LV209700	106LPF (4M)	2-C4	NEW
	LV210600	122LPF (3M)	2-C4	NEW
	VE431900	Cholder	3-D1	NEW
	VE432000	FloatKey	3-C2	NEW
	VE432100	FloatKeyGuide	3-C2	NEW
	VE433600	1ZCoverRing	2-B4	NEW
	VE434100	GearCover	3-A4	NEW
	VE434300	106ZWheel	3-B4	NEW
	VE434400	106ZGear1	3-B4	NEW
	VE434500	106ZGear2	3-B4	NEW
	VE434600	106ZGear3	3-B4	NEW
	VE434700	106ZIdle	3-A3	NEW
	VE434800	106LongGear	3-C2	NEW
	VE434900	106FIdle	3-C2	NEW
	VE435000	FIdleShaft	3-C2	NEW
	VE435100	PRHolder	3-D1	NEW
	VE436100	CCDRubber	2-C4	NEW
	VE436700	LD-FPCTape1	LENS#	NEW
	VE437000	FPCTape	3-D3	NEW
	VE443400	FlashReflectorBase	1-D2	NEW
	VE443700	MDL-Tape	1-B3	NEW
	VE444200	BuzzerTape	2-C1	NEW
	VE445100	BarrierKnob	1-B4	NEW
	VE445200	Barrier-SW-Arm	1-C4	NEW
	VE445300	BarrierClickSpring-A	1-B3	NEW
	VE445400	BarrierClickSpring-B	1-B3	NEW
	VE445700	BarrierClickBall	1-B4	NEW
	VE446800	BarrierNut	1-B4	NEW
	VE446900	BarrierPin	1-A4	NEW
	VE447900	MDL-Metal (μ -20)	1-D2	NEW
	VE448200	StringRubber	1-D3	NEW
	VE448800	CardCoverShaft	1-B1	NEW
	VE449100	JackCoverSheet	1-A3	NEW
	VE449400	BatteryCoverScrew	1-B2	NEW
	VE449700	BatteryOuterCover	1-C2	NEW
	VE450000	MonitorTape-A	2-D3,2-D4	NEW
	VE450100	BatteryCase	2-B2	NEW
	VE450200	BatteryCasePlate	2-C1	NEW
	VE450300	BatterySpring	2-B1	NEW
	VE450400	BatteryContact-A	2-C1	NEW

Rev.3
Ver.1

PARTS LIST

 μ -10/ μ [mju:] 300/Stylus 300 DIGITAL μ -20/ μ [mju:] 400/Stylus 400 DIGITAL

REF NO	PARTS NO	DESCRIPTION	REMARKS	NOTE
	VE450500	BatteryContact-B	2-A1	NEW
	VE454800	MDL-MetalScrew	1-D2,2-C3	NEW
	VE462400	FloatAperture1	3-B1	NEW
	VE462500	FloatAperture2	3-C2	NEW
	VE480100	CContact	2-C4	NEW
	VE480200	U1.4X1.6NR	3-B4	NEW
	VE480800	BatCaseCover	2-C2	NEW
	VE480900	BackCabiCover	1-C2	NEW
	VE481000	CAMPCA-Cushion	2-C3	NEW
	VE484100	F-LED Tape	2-D3	NEW
	VE484300	CardInnerCover	1-A3	NEW
	VE484400	ShaftPlate	1-A3	NEW
	VE484500	InnerCoverShaft	1-A2	NEW
	VE484600	ShaftScrew	1-A2	NEW
	VE521400	122MDL-Metal (μ -10)	1-D2	NEW
	VE521500	122MDL-MetalU (Stylus 300)	1-D2	NEW
	VE521600	122MDL-MetalE (μ [mju:] 300)	1-D2	NEW
	VE521700	MDL-MetalU (Stylus 400)	1-D2	NEW
	VE521800	MDL-MetalE (μ [mju:] 400)	1-D2	NEW
	VE525100	BackContact	1-C2	NEW
	VE525200	TFTContact	2-C3	NEW
	VE525300	PWContact	2-A3	NEW
	VE525400	MCContact	2-C2	NEW
	VE525500	BRContact	1-B4	NEW
	VE525600	F-Bcontact	1-D1	NEW
	VE528800	Self-Cushion	1-D4	NEW
	VE529000	BackContact2	1-B2	NEW
	VE529100	MDL-MetalScrew2	1-C1	NEW
	VE529400	PWContactTape	2-B3	NEW
	VE529600	TFT-FPCTape	2-D3	NEW
	VE529700	MCContactTape	2-B2	NEW
	VE529800	BackContactTape	1-C2	NEW
	VE530000	TFT-TOP-Tape	2-D3	NEW
	VE530300	USBContact	2-A1	NEW
	VE542000	PW-TapeSeal	2-C3	NEW
	VE542200	PR-Tape	3-D3	NEW
	VE545500	Battery Label	1-B2	NEW
	VE546400	1061ZCoverRing	2-B4	NEW
	VE551800	FloatAperture3	3-C1	NEW
	VE554100	TFTSponge	2-D3	NEW
	VE554400	TFT-ProtectTape	2-A1,2-D3	NEW
	VJ392900	106TFT-UT	2-D3	NEW
	VJ437600	Lens-ASSY	2-B4	NEW
	VJ453600	122FrontCover-ASSY (Blue, 3M)	1-C4	NEW
	VJ453700	R-Button-ASSY	1-B3	NEW
	VJ453800	BackCover-ASSY-2 (μ -10)	1-A2	NEW
	VJ454000	FlashReflector-ASSY	1-D3	NEW
	VJ454300	122Barrier-ASSY (Blue)	1-B4	NEW
	VJ454500	CardCover-ASSY-2	1-B1	NEW
	VJ454600	BattCoverBase-ASSY-2	1-C3	NEW
	VJ454700	BattInnerCover-ASSY	1-B2	NEW
	VJ455400	KFC-Contact-ASSY	3-B2	NEW
	VJ455501	122PW-PCA	2-B3	NEW

Rev.3
Ver.1

PARTS LIST

 μ -10/ μ [mju:] 300/Stylus 300 DIGITAL μ -20/ μ [mju:] 400/Stylus 400 DIGITAL

REF NO	PARTS NO	DESCRIPTION	REMARKS	NOTE
	VJ455700	Self-PCA-2	2-D1	NEW
	VJ455800	SW-FPCA	2-D1	NEW
	VJ455900	Buzzer-ASSY	2-C1	NEW
	VJ456100	K-Contact-ASSY	2-D4	NEW
	VJ456200	122CCD-ASSY (3M)	2-C4	NEW
	VJ456300	122MCPCA-2 (3M)	2-D2	NEW
	VJ456500	FL-PCA-2	2-D2	NEW
	VJ457500	1ZFrame-ASSY	3-A2	NEW
	VJ457800	2ZFrame-ASSY	3-B2	NEW
	VJ457900	BaseFrame-ASSY	3-C3	NEW
	VJ458000	GearCase-ASSY	3-B3	NEW
	VJ458100	106Z-FPCA	3-D4	NEW
	VJ458200	Zmotor-ASSY	3-C4	NEW
	VJ458400	CamBarrel-ASSY	3-D2	NEW
	VJ458600	106Finder-ASSY	2-B3	NEW
	VJ463700	106FrontCover-ASSY (Silver, 4M)	1-C4	NEW
	VJ463900	106Barrier-ASSY (Silver)	1-B4	NEW
	VJ464300	106CCD-ASSY (4M)	2-C4	NEW
	VJ471600	106MC-PCA (4M)	2-D2	NEW
	VJ471800	106Barrier2-ASSY (Yellow Gold)	1-B4	NEW
	VJ471900	106FrontCoverUE-ASSY (Yellow Gold, 4M)	1-C4	NEW
	VJ472000	122FrontCoverUE-ASSY (Silver, 3M)	1-C4	NEW
	VJ475700	BodyFrame-ASSY	2-D4	NEW
	VJ475800	106BackCover-ASSY (μ -20)	1-A2	NEW
	VJ475900	106BackCover-ASSY-U (Stylus 400)	1-A2	NEW
	VJ476000	106BackCover-ASSY-E (μ [mju:] 400)	1-A2	NEW
	VJ476100	BackCover-ASSY-U (Stylus 300)	1-A2	NEW
	VJ476200	BackCover-ASSY-E (μ [mju:] 300)	1-A2	NEW
	VT4173	Rated Label J (For JAPAN, 4M)		NEW
	VT4175	Rated Label E (For EUROPE, 4M)		NEW
	VT4176	Rated Label K (For KOREA, 4M)		NEW
	VT4216	CHINA Label ("MADE IN CHINA")		NEW
	VT4305	Rated Label G (For GENERAL, 4M)		NEW
	VT4306	Rated Label C (For CHINA, 4M)		NEW
	VT4307	Rated Label A (For OCEANIA, 4M)		NEW
	VT4308	Rated Label T (For TAIWAN, 4M)		NEW
	VT4309	Rated Label H (For HONGKONG, 4M)		NEW
	VT4392	Rated Label J (For JAPAN, 3M)		NEW
	VT4394	Rated Label E (For EUROPE, 3M)		NEW
	VT4395	Rated Label G (For GENERAL, 3M)		NEW
	VT4396	Rated Label C (For CHINA, 3M)		NEW
	VT4397	Rated Label A (For OCEANIA, 3M)		NEW
	VT4398	Rated Label T (For TAIWAN, 3M)		NEW
	VT4399	Rated Label H (For HONGKONG, 3M)		NEW
	VT4401	Rated Label K (For KOREA, 3M)		NEW
	WE115124	PUK1.6x1.6SN	2-C3,2-D4	NEW
	WE116024	3PUK1.4x3SN	2-D2	NEW
	WE126002	PUTB1.4x3.5SN	1-D1	
	WE126081	PUTB1.6x4SN	1-A3, etc.	
	WE126102	PUTB1.6x3.5SN	2-B3, etc.	
	WE126105	PUTB1.6x4SB	3-A4	NEW
	WE126134	PUTB1.6x4.5SB	3-C2	NEW
	WE126229	PUTB1.6x235SN	1-A4	

Rev.3
Ver.1

PARTS LIST

 μ -10/ μ [mju:] 300/Stylus 300 DIGITAL μ -20/ μ [mju:] 400/Stylus 400 DIGITAL

REF NO	PARTS NO	DESCRIPTION	REMARKS	NOTE
	WE126303	PUTB1.6x630SN	3-C4	NEW
	WE126349	PUTB1.4x2.2SB	3-C1	NEW
	WE126373	PUTB1.4x235SB	1-C4	NEW
	WE126426	PUTB1.6x12.5SN	1-D1	NEW
	WE127006	PSTB1.6x3SN	2-D4	NEW
	WE132022	3PUTB1.6x3.5SN	2-C2	
	WE132026	3PUTB1.6x4SN	3-D1	
	WE132060	3PUTB1.4x4SN	3-A3	NEW