

Remote Keypad Option

Requires Quantum Data 800 Series video generator with firmware 2.998 or later.

Installation and Basic Operation Guide

How to install keypad

1. Shut off generator.
2. Connect keypad to serial port on generator.
3. Hold down the Red video gate button while powering up the generator until "keypad" is displayed to configure generator for keypad operation mode.

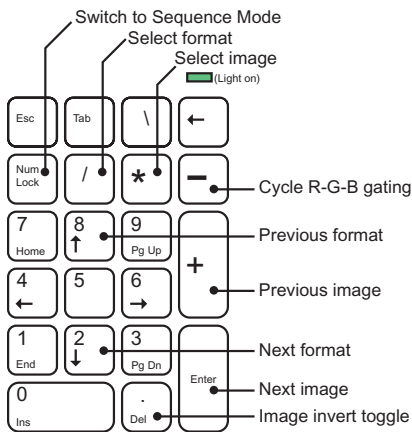
Keypad mode reduces the baud rate to 1200 and disables the normal command parser. Front panel controls and indicators work as normal. The generator remains in keypad mode until you switch it to normal mode.

How to uninstall keypad

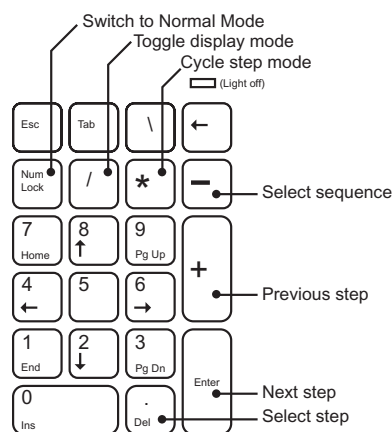
1. Shut off generator.
2. Disconnect keypad from serial port on generator.
3. Hold down the Sync Gate buttons (ACS, DCS, and DSS) while powering up the generator until "no special modes" is displayed to configure the generator for normal operation mode.

Normal mode increases the baud rate to 2400 and enables the normal command parser, which enables the front panel programming mode.

Normal mode key functions



Sequence mode key functions



Task	Procedure
Select image from current list	Press * key, use numeric keys to specify the image number, and then press Enter.
Select next image	Press Enter.
Select previous image	Press + key.
Select alternate version of image (if available)	Press Del key.
Change R-B-G video gating	Press – key to cycle through gating combinations.
Select any format from current list	Press / key, use numeric keys to specify format number, and then press Enter.
Select next format	Press 2.
Select previous format	Press 8.
Switch to Sequence Mode	Press Num Loc key.

Task	Procedure
Select sequence from current list	Press – key, use numeric keys to specify sequence number, and then press Enter.
Select any step in sequence	Press Del key, use numeric keys to specify step number, and then press Enter.
Select next step	Press Enter.
Select previous step	Press + key.
Change sequence step method (step, wrap, auto, and so on)	Press * key to cycle through options.
Change DNUM settings	Press / key to cycle through options.
Switch to Normal Mode	Press Num Loc key.