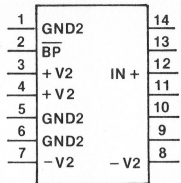
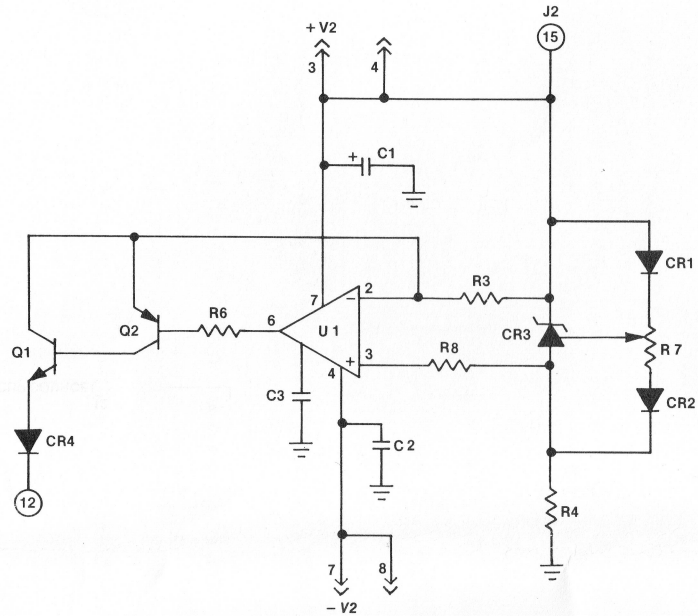
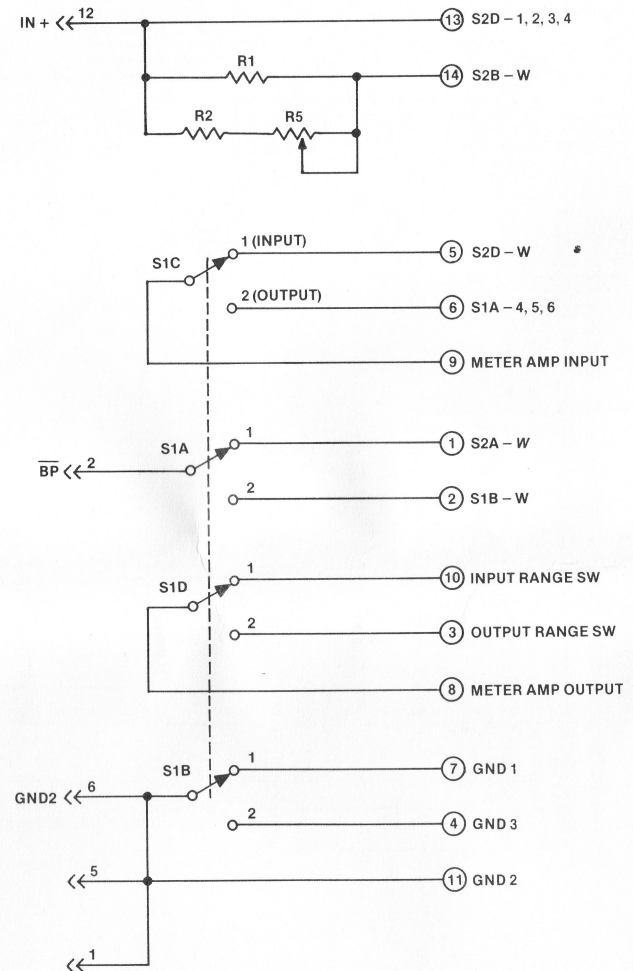


THE INFORMATION DISCLOSED HEREIN WAS ORIGINATED BY AND IS THE PROPERTY OF RONAN AND EXCEPT FOR RIGHTS EXPRESSLY GRANTED TO THE UNITED STATES GOVERNMENT, RONAN RESERVES ALL PATENT PROPRIETARY, DESIGN, USE, SALE, MANUFACTURING AND REPRODUCTIONS RIGHT THERETO.

REV. NO.	DESCRIPTION	DATE	BY



NOTE:  
 ○ = FLEX STRIP TO RANGE SW BD  
 → = DIP CONN TO P.S. BD

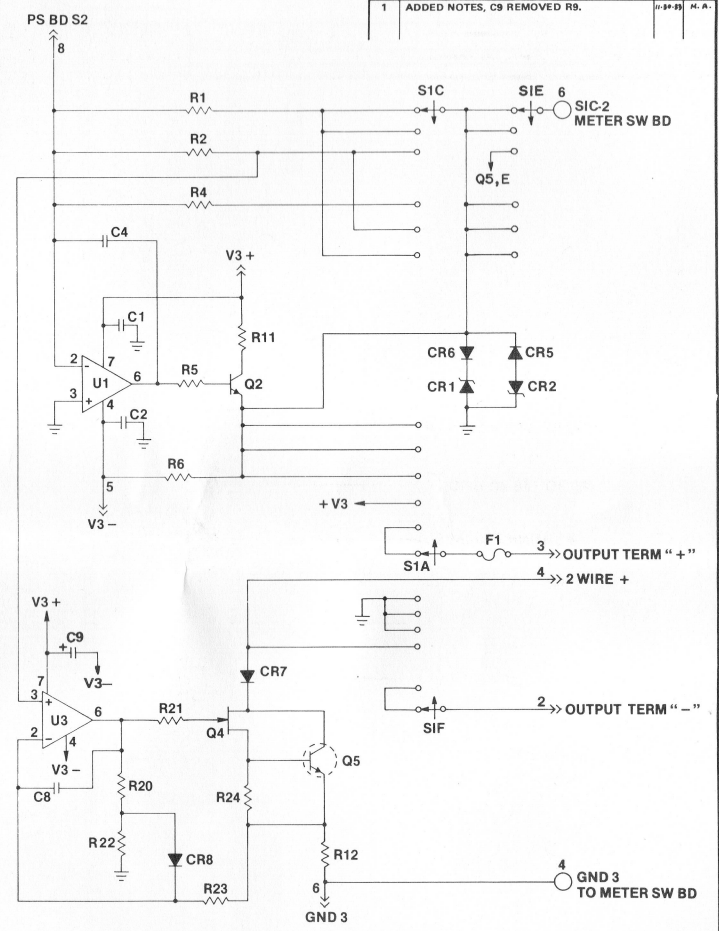
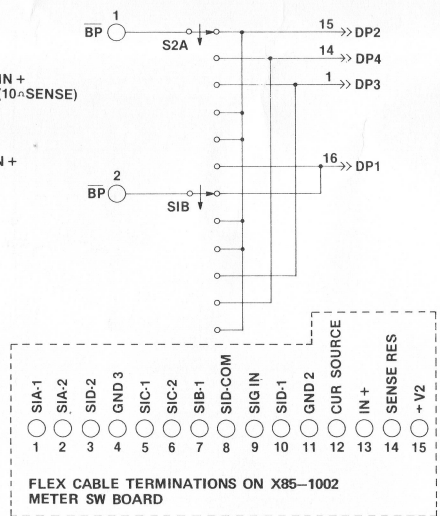
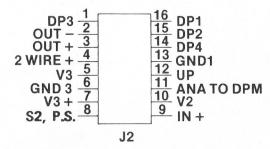
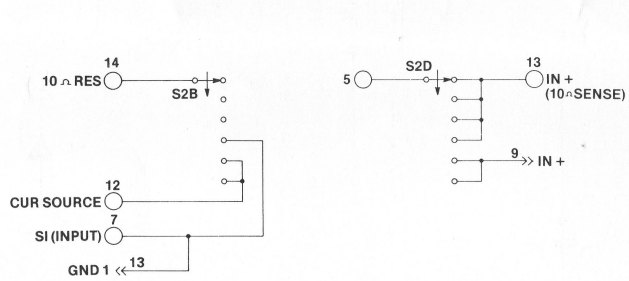
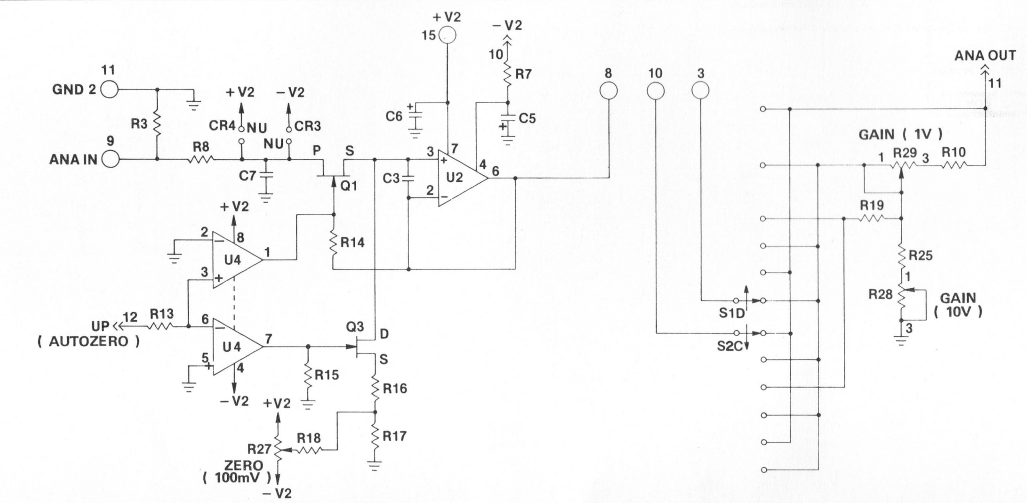


ITEM NO.	QTY	CODE / PART NUMBER	DESCRIPTION	SPEC
LIST OF MATERIALS				
TOLERANCE: UNLESS OTHERWISE SPECIFIED		CUSTOMER		
DECIMALS: XX ± .03		ANGLES: ± 1/2°		
XXX ± .010		± 1/8°		
MATERIAL:	TITLE		DRAWN	DATE
FINISH:	METER SWITCH BOARD		CHECKED	12/80
NEXT ASSY	USED ON	P.O. NUMBER	MANUFACTURING	1-15-81
APPLICATION	DO NOT SCALE DRAWING	SCALE	QUALITY ASSURANCE	1-15-81
DRAWING NUMBER			REV	
X85-1002			0	



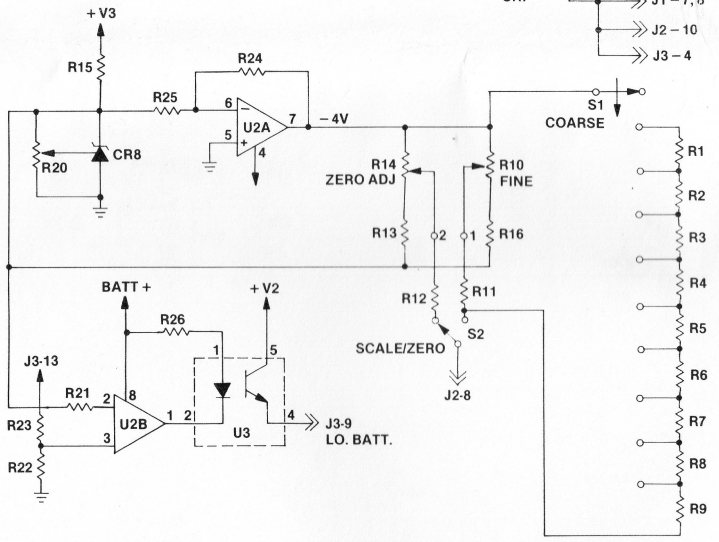
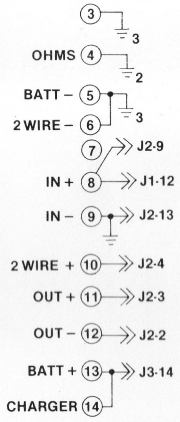
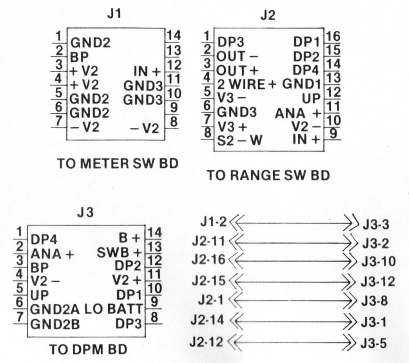
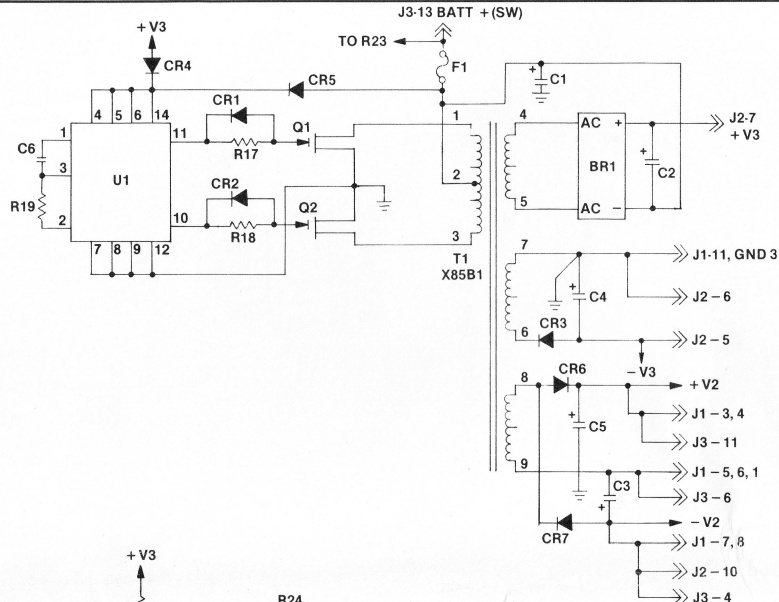
THE INFORMATION DISCLOSED HEREIN WAS ORIGINATED BY AND IS THE PROPERTY OF ROMAN AND EXCEPT FOR RIGHTS EXPRESSLY GRANTED TO THE UNITED STATES GOVERNMENT, ROMAN RESERVES ALL PATENT, PROPRIETARY, DESIGN, USE, SALE, MANUFACTURING AND REPRODUCTION RIGHTS THEREIN.

REV. NO.	DESCRIPTION	DATE	BY
1	ADDED NOTES, C9 REMOVED R9.		M. A.



→ = DIP CONNECTOR, J2, TO P.S. BOARD  
 ○ = FLEX STRIP CABLE TO METER SWITCH BD, X85-1002

ITEM NO.	QTY.	CODE	PART NUMBER	DESCRIPTION	SPEC.
LIST OF MATERIALS					
TOLERANCE UNLESS OTHERWISE SPECIFIED: CUSTOMER					
RESISTORS: 1% 1/4W 2000					
CAPACITORS: 5% 1/4W 2000					
MATERIAL					
FINISH					
NEXT ASSY. USED ON					
APPLICATION					
RANGE SW BD				DATE FORMED: 01/18/68 CHECKED: [Signature] DESIGNED: 12/10/67	 WOODLAND HILLS, CALIFORNIA
DO NOT SCALE DRAWING				P.O. NUMBER	SCALE
				CERTIFIED: [Signature]	DRAWING NUMBER: X85-1003 REV: 1



QTY	CODE	PART NUMBER	DESCRIPTION	SPEC
LIST OF MATERIALS				
TOLERANCE UNLESS OTHERWISE SPECIFIED: CUSTOMER				
DECIMALS XX-03 ANGLES 2-N°				
MATERIAL				
FINISH				
NEXT ASSY USED ON				
APPLICATION DO NOT SCALE DRAWING				
TITLE <b>POWER SUPPLY &amp; INTERCONNECT BD</b>			DATE 11/10/60	REV 0
DRAWN J. J. J.			CHECKED J. J. J.	ENGINEER J. J. J.
MANUFACTURED BY ROMAN			MANUFACTURING DATE 11-10-60	DRAWING NUMBER X85-1004
SCALE			DO NOT SCALE DRAWING	REV 0



