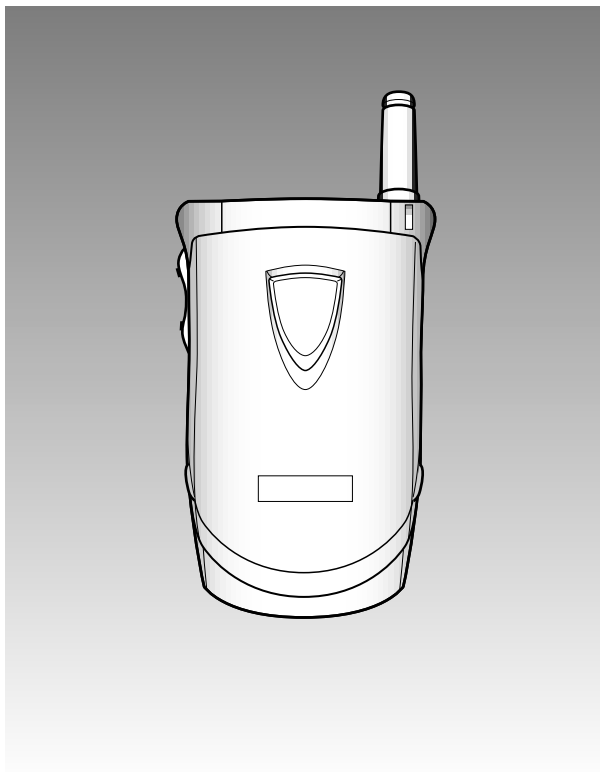




# GSM Mobile Cellular Phone SGH-800C

# **SERVICE** *Manual*

## GSM Mobile Cellular Phone



## CONTENTS

1. Exploded Views and it's Part list
2. Electrical Part list
3. Block Diagram
4. PCB Diagram
5. Schematic Diagram



# 1. Exploded View and its Parts List

---

## **1-1 Main Exploded View**

## **1-2 Main Parts List**

## **1-3 Charger Exploded View**

## **1-4 DTC Parts List**

## **1-5 Travel Adaptor**

## **1-6 Travel Adaptor Parts List**

## **1-7 Ciger Light Adaptor**

## **1-8 Ciger Light Adaptor Part List**

## **1-9 Hands Free Kit Diagram**

## **1-10 Boost Kit**

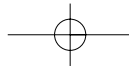
## **1-11 Hands Free Car Kit Option**

### **1-11-1 Hands Free Car Kit Ass'y**

### **1-11-2 Hands Free Cradle Exploded View**

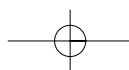
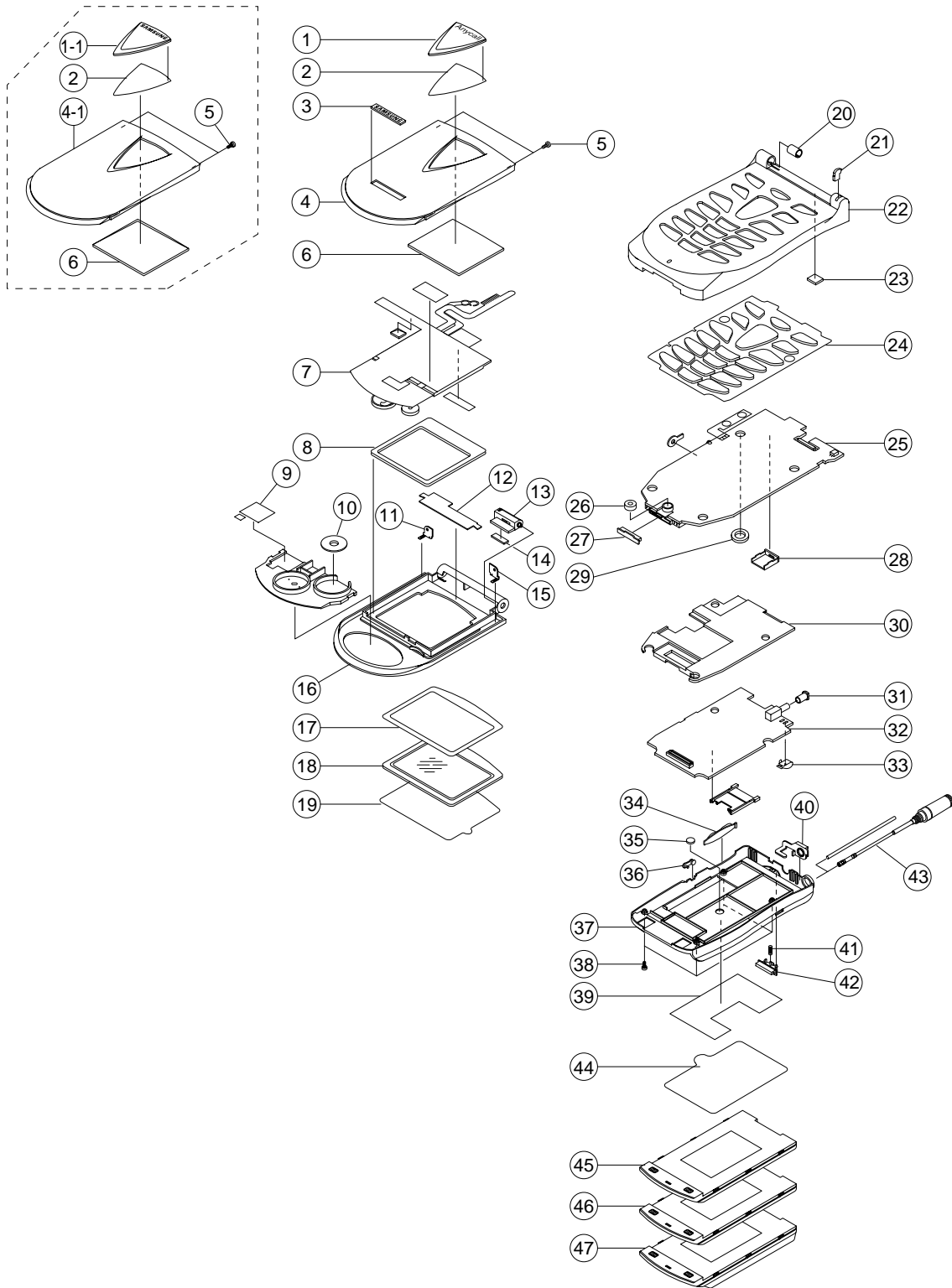
### **1-11-3 Cradle Mechanism Part List**

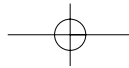




Exploded View and its Parts List

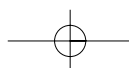
### 1-1 Main Exploded View

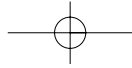




## 1-2 Main Parts List

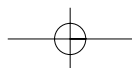
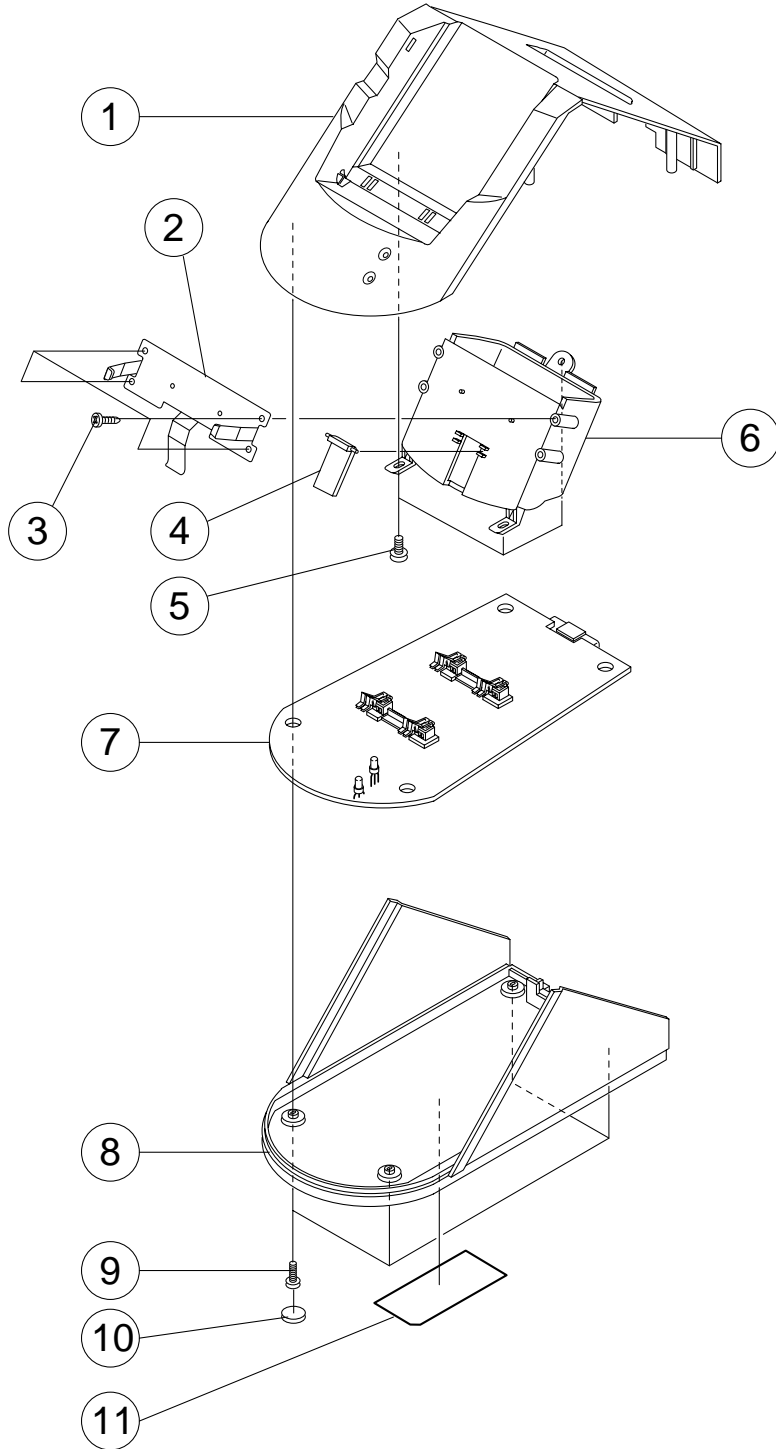
NO	DESCRIPTION	SEC. CODE	Q'TY	REMARK
1	PMO-DECORATION(ANYCALL)	CH72-00264A	1	
1-1	PMO-DECORATION(SAMSUNG)	GH-00263A	1	
2	MPR-TAPE DOCORATION	GH-74-10772A	1	
3	LABEL(M)-BADGE	GH-68-20008E	1	
4	PMO-FOLDER UPPER(C)	GH-72-00126A	1	
4-1	PMO-FOLDER UPPER(EU)		1	
5	SCREW-MACHINE	6001-000876	2	
6	MCT-SHIELD GASKET	GH74-00011A	1	
7	LCD A'SSY		1	
8	MPR-SPONGE-LCD	GH74-10774A	1	
9	MPR-TAPE EARPIECE	CH74-00005A	1	
10	MPR-TAPE VIBRATOR	CH74-10776A	1	
11	NPR-BRACKET FOLDER R	GH71-10726A	1	
12	MEX-LCD SHEET	GH74-00124A	1	
13	MEC-HINGE	CH75-11337A	1	
14	ICT-MAGNET	GH70-40005A	1	
15	NPR-BRACKET FOLDER	GH71-10722A	1	
16	PMO-FOLDER LOWER	GH72-00125A	1	
17	MEX-WINDOW TAPE	GH74-00127A	1	
18	PCT-WINDOW LCD	GH72-00265A	1	
19	PPR-TAPE WINDOW BOHO	GH72-00498A	1	
20	PMO-HINGE DUMMY	GH72-00067A	1	
21	PMO-REFLECTOR LED	GH72-41801A	1	
22	PMO-FRONT COVER	GH72-00123A	1	
23	MPR-DUPLEXER	GH74-00106A	1	
24	RMO-KEY PAD	GH73-00074A	1	
25	LOGIC BOARD		1	
26	RMO-HOLDER MIC	GH73-00121A	1	
27	RMO-CONNECTOR COVER	GH73-40704A	1	
28	RMO HOLDER BUZZER	GH73-00075A	1	
29	RPR GROUND GASKET	GH73-00005A	1	
30	PMO-SHIELD COVER	GH72-00262A	1	
31	RMO-MOBILE CAP	GH73-00079A	1	
32	RF GOARD		1	
33	NPR CONTACT PLATE-ANT	GH71-00047A	1	
34	PMO-KEY VOLULME	GH72-41787A	1	
35	MCT-SPONG BATT	GH74-00159A	1	
36	RMO-COVER EAR/J	GH73-00087A	1	
37	PMO-REAR COVER	GH72-00124A	4	
38	SCREW-MACHINE	6001-001140	1	
39	LABEL(R)-MAIN	GH68-00339A	1	
40	NPR-BRACKET ANT	GH71-10720A	1	
41	IPR-SPRING LOCKER MA	GH70-10516A	1	
42	PMO-BATT LOCKER	GH72-00127A	1	
43	ANTENNA		1	
44	PPR-SIM BOHO	GH72-00449A	1	
45	BATTERY SLIM		1	
46	BATTERY STD		1	
47	BATTERY LONG		1	

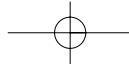




Exploded View and its Parts List

### 1-3 Charger Exploded View

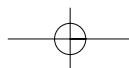


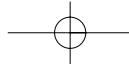


Exploded View and its Parts List

**1-4 DTC Parts List**

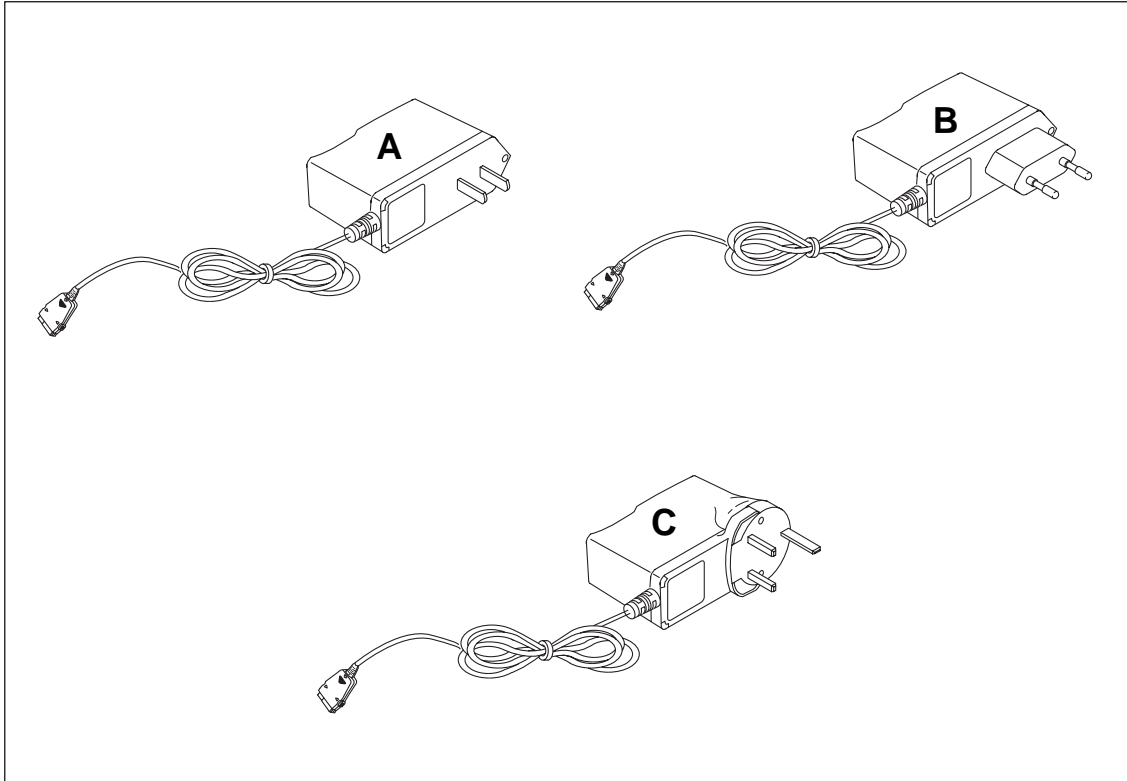
NO	DESCRIPTION	SEC. CODE	Q'TY	REMARK
1	DTC UPPER		1	
2	HANDY LOCKER		1	
3	SCREW		4	
4	SUPPORT		1	
5	SCREW		3	
6	BATTERY HOUSING		1	
7	PCB		1	
8	DTC LOWER		1	
9	SCREW		4	
10	BUMPON		4	
11	LABEL		1	





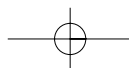
Exploded View and its Parts List

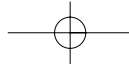
### 1-5 Travel Adaptor



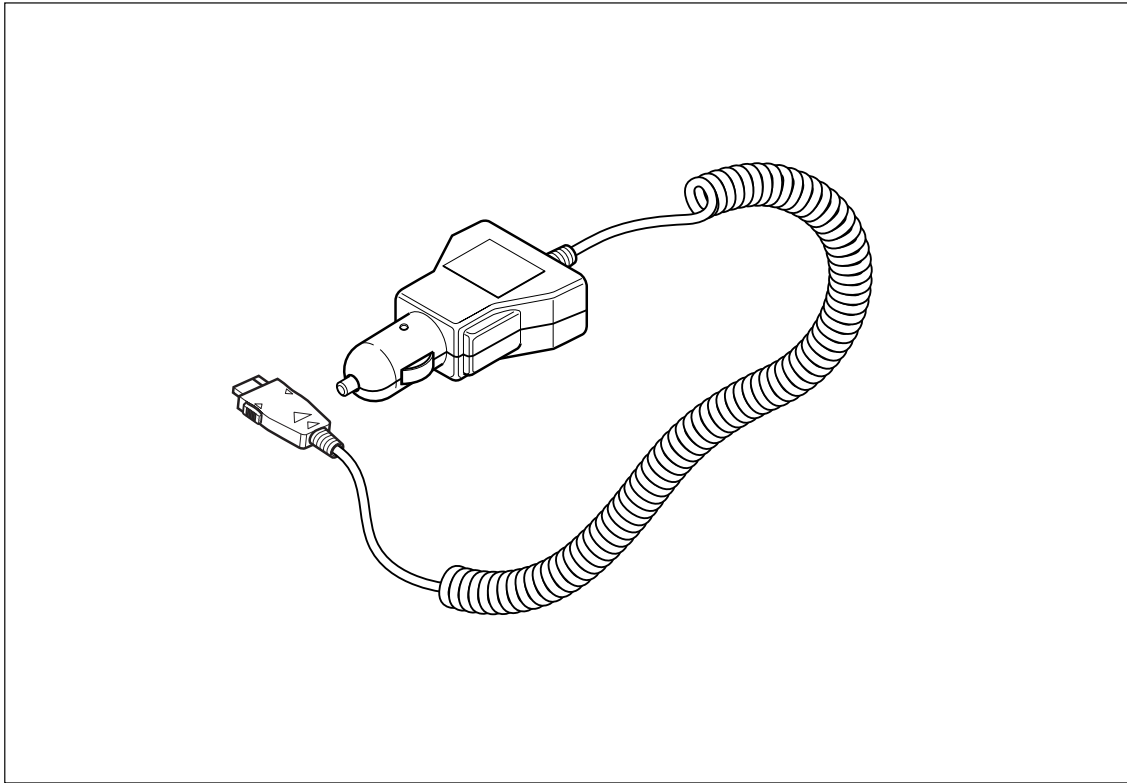
### 1-6 Travel Adaptor Parts List

Type	SEC Code	Remark
A	GH44-30548A	CHINA
B	GH44-30549A	EUROPE
C	GH44-30547A	UNITED KINGDOM



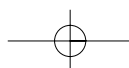


## 1-7 Ciger Light Adaptor

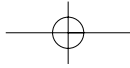


## 1-8 Ciger Light Adaptor Part List

Description	SEC Code	Remark
Ciger Light Adaptor Code	GH44-30546A	BLACK

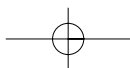
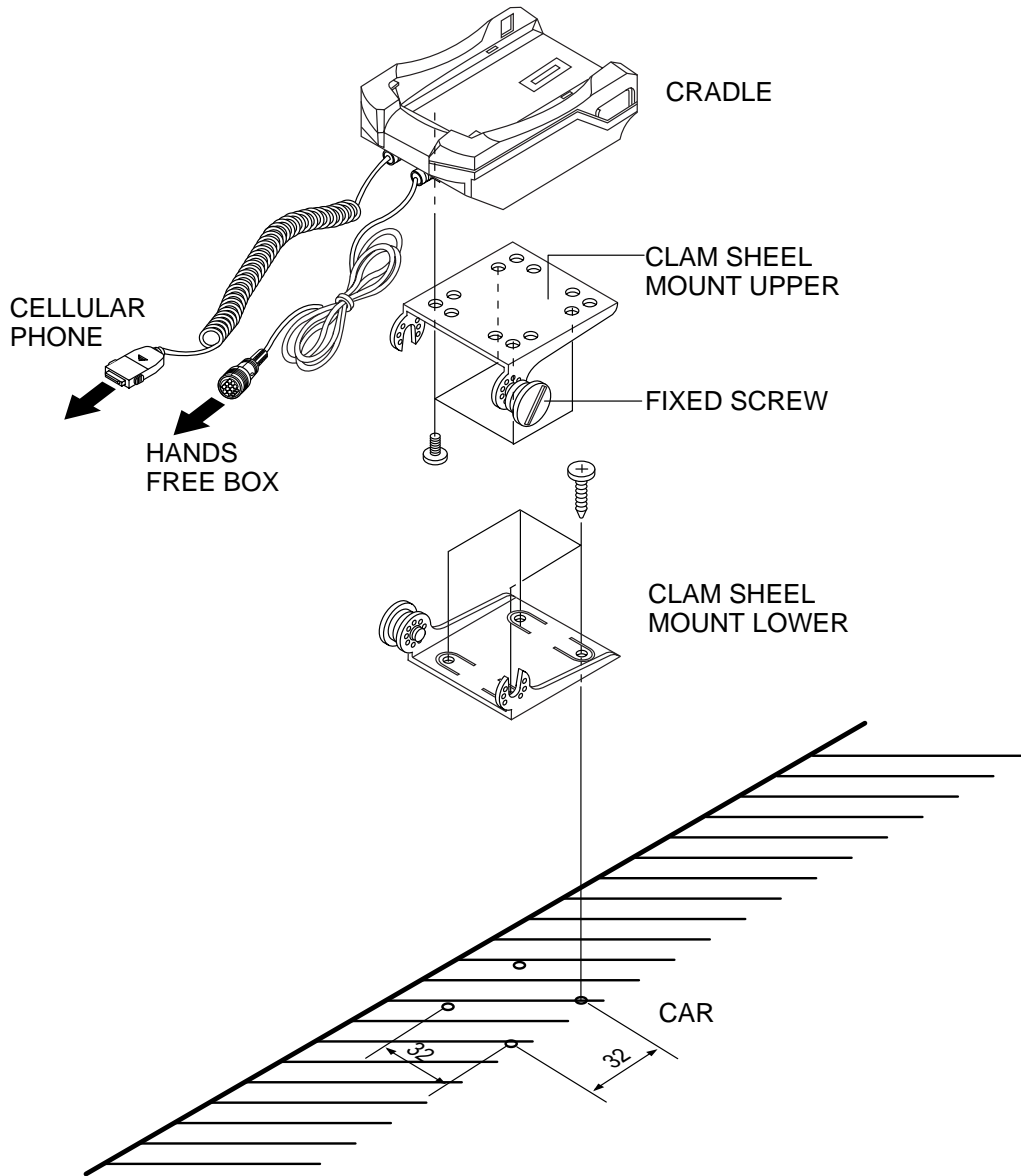


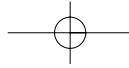




Exploded View and its Parts List

### 1-9 Hands Free Kit Diagram

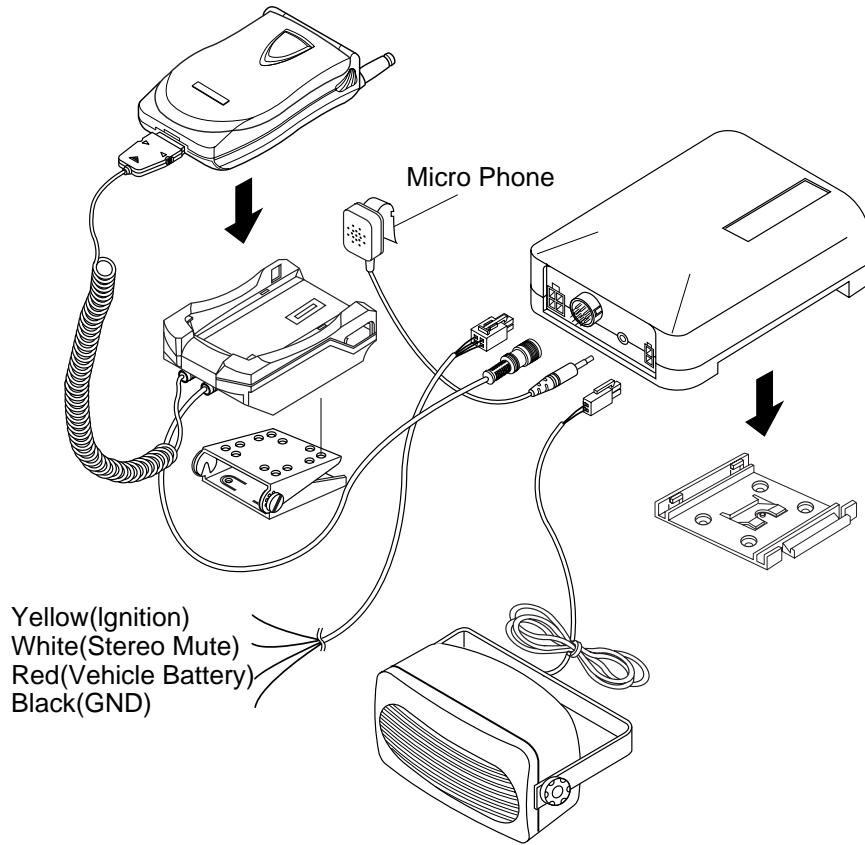




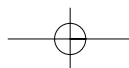
Exploded View and its Parts List

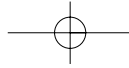
## 1-11 Hands Free Car Kit Option

### 1-11-1 Hands Free Car Kit Ass'y

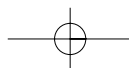
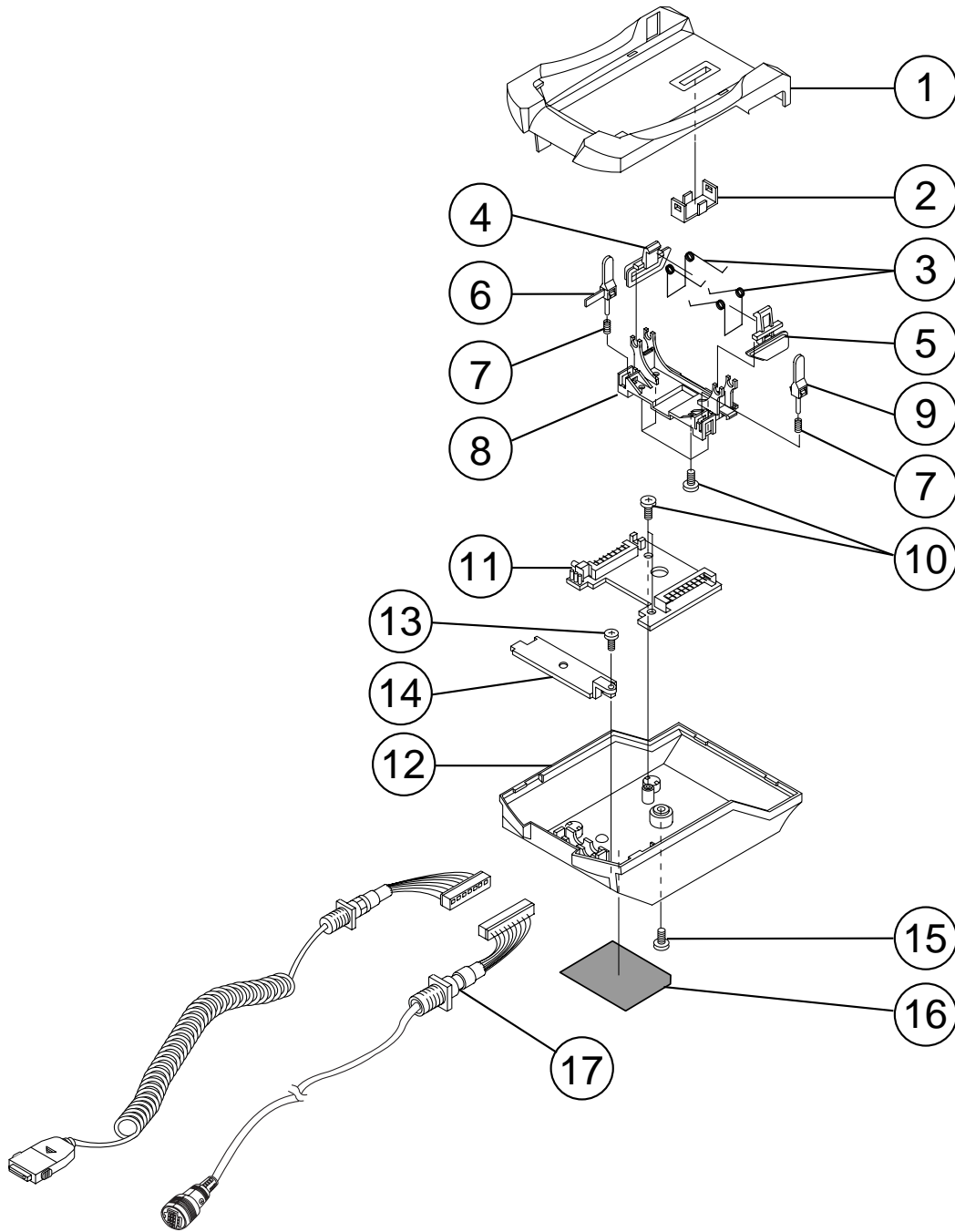


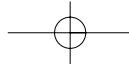
Option Code: GH96-01150A





### 1-11-2 Hands Free Cradle Exploded View

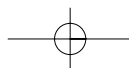




Exploded View and its Parts List

**1-11-3 HFK PART LIST**

NO	DESCRIPTION	SEC. CODE	Q'TY	REMARK
1	CRADLE UPPER		1	
2	SOCKET PLATE		1	
3	TORSION SPRING		2	
4	LOCKER(R)		1	
5	LOCKER(L)		1	
6	EJECTOR PIN(R)		2	
7	EJECTOR SPRING		1	
8	CLAMP		1	
9	EJECTOR PIN(L)		1	
10	SCREW M2 x 6, +, BH		6	
11	PCB		1	
12	CRADLE LOWER		1	
13	SCREW M2 x 6, +, BH		1	
14	CABLE CAP		1	
15	SCREW M3 x 8, +, BH		1	
16	CRADLE LABEL		1	
17	CRADLE DATA CABLE		1	



## 2. Electrical Parts List

### Main B'd (COMP)

NO	SEC CODE	Location No	Description	Etc
1	0404-001005	D400	DIODE-SCHOTTY, 40V, 1A, SOD-87	
2	0407-001007	D401	DIODE-ARRAY, 80V, 25mA, CA4-2, UM5	
3	0501-002096	Q200	TR-SMALL SIGNAL, NPN, 160mW, SOT343	
4	0504-000167	U106, U874	TR-DIGITAL, NPN, 100mW, 10K-10Kohm, SSM	
5	0504-000168	U401, U407	TR-DIGITAL, NPN, 100mW, 47K-47Kohm, SSM	
6	1205-001643	U861	IC-KERNEL-5, BGA, 144P, 472MIL, 3V, TR	
7	0504-001021	U105, U848	TR-DIGITAL, 3P, SC-59, TP	
8	0506-001004	U309	TR-ARRAY, NPN/PNP, 2.50V, 300mW, UM5	
9	1103-001090	U412	IC-EEPROM, 24C128, 16Kx8BIT, SOP, 8P, 150MIL	
10	1107-001164	U870	IC-FLASH MEMORY, 512Kx16BIT, BGA, 48P,	
11	1109-001129	U867	IC-MEMORY, 1048KX16+524KX8BIT, CSP, 72P, 2.7V	
12	1201-001326	U839	IC-BUFFER AMP, SOP, 6P, SINGLE	
13	1203-001285	U103	IC-SWITCH VOL. REG. SOT-23, 5P, 150MIL	
14	1203-001402	U402	IC-DC/DC CONVERTER, SO8, 8P, 150MIL	
15	1203-001548	U846	IC-RESET, SOT-23, 5P, 150mW	
16	1203-001717	U868	IC-SWITCH VOLT. REG. 3.0V, DUAL	
17	1204-001405	U102	IC-BRIGHT, QFP, 48P, 4.0V, 400mW	
18	1206-001009	U312	IC-RTC, SOP, 8P, 173MIL	
19	1209-001161	U101	IC-Synthesizer, MTC20, 20P	
20	1404-001005	TH400	THERMISTOR, 47Kohm, 5%, 4050K, 2.0mW/C, TP	
21	1405-001019	VA1	VARISTOR, 5.6V,-,1.6x0.8mm,TP	
22	2007-000138	R134, R135	R-CHIP, 100ohm, 5%, 1/16W, DA, TP, 1005	
23	2007-000140	R112, R522	R-CHIP, 1Kohm, 5%, 1/16W, DA, TP, 1005	
24	2007-000141	R124, R125, R127, R130, R137, R438, R439,	R-CHIP, 2.2Kohm, 5%, 1/16W, DA, TP, 1005	
25	2007-000142	R102	R-CHIP, 2.7Kohm, 5%, 1/16W, DA, TP, 1005	
26	2007-000143	R500	R-CHIP, 4.7Kohm, 5%, 1/16W, DA, TP, 1005	
27	2007-000147	R128, R114	R-CHIP, 8.2Kohm, 5%, 1/16W, DA, TP, 1005	
28	2007-000148	R101, R219, R422, R423, R427, R433, R970, R972, R988	R-CHIP, 10Kohm, 5%, 1/16W, DA, TP, 1005	
29	2007-000149	R113	R-CHIP, 12Kohm, 5%, 1/16W, DA, TP, 1005	
30	2007-000157	R440, R442, R474	R-CHIP, 47Kohm, 5%, 1/16W, DA, TP, 1005	
31	2007-000159	R424	R-CHIP, 56Kohm, 5%, 1/16W, DA, TP, 1005	
32	2007-000161	R123, R126	R-CHIP, 82Kohm, 5%, 1/16W, DA, TP, 1005	
33	2007-000162	R402, R421, R428, R434, R436, R441, R964, R965, R976, R979, R987, R993	R-CHIP, 100Kohm, 5%, 1/16W, DA, TP, 1005	
34	2007-000171	R136	R-CHIP, 0 ohm, 5%, 1/16W, DA, TP, 1005	
35	2007-000172	R100, R103, R105, R116, R206, R503, R129	R-CHIP, 10ohm, 5%, 1/16W, DA, TP, 1005	
36	2007-000932	R220	R-CHIP, 470ohm, 5%, 1/16W, DA, TP, 1005	
37	2007-001288	R107, R108, R109, R117, R120, R121	R-CHIP, 18ohm, 5%, 1/16W, DA, TP, 1005	
38	2007-001292	R221, R222	R-CHIP, 33ohm, 5%, 1/16W, DA, TP, 1005	
39	2007-001298	R504	R-CHIP, 51ohm, 5%, 1/16W, DA, TP, 1005	
40	2007-001301	R131, R132, R133	R-CHIP, 68ohm, 5%, 1/16W, DA, TP, 1005	
41	2007-001307	R209	R-CHIP, 180 ohm, 5%, 1/16W, DA, TP, 1005	
42	2007-000242	R992	R-CHIP, 1.5Kohm, 5%, 1/16W, DA, TP, 1005	

43	2007-001319	R467	R-CHIP, 1.2Kohm, 5%, 1/16W, DA, TP, 1005	
44	2007-001320	R464	R-CHIP, 1.8Kohm, 5%, 1/16W, DA, TP, 1005	
45	2007-007137	R469, R470, R471	R-CHIP, 1.2Kohm, 1%, 1/16W, DA, TP, 1005	
46	2007-007142	R435	R-CHIP, 10Kohm, 1%, 1/16W, DA, TP, 1005	
47	2007-007517	R473	R-CHIP, 240Kohm, 1%, 1/16W, DA, TP, 1005	
48	2007-007528	R472	R-CHIP, 1.5Kohm, 1%, 1/16W, DA, TP, 1005	
49	2203-000233	C103, C105, C110, C112, C113, C116, C130, C139, C165, C468, C469, C470, C471, C123	C-CHIP, 100pF, 5%, 50V, TP, 1005	
50	2203-000254	C107, C143, C144, C148, C149, C153, C155, C206, C207, C422, C440, C441, C442, C462, C966, C968, C969, C971, C982, C125	C-CHIP, 10nF, 10%, 16V, TP, 1005	
51	2203-000311	C104	C-CHIP, 120pF, 5%, 50V, TP, 1005	
52	2203-000359	C124	C-CHIP, 150pF, 5%, 50V, TP, 1005	
53	2203-000438	C119, C122, C135, C163, C203, C220, C924, C169	C-CHIP, 1nF, 10%, 50V, TP, 1005	
54	2203-000466	C146, C101	C-CHIP, 1pF, 0.25pF, 50V, TP, 1005	
55	2203-000489	C109	C-CHIP, 2.2nF, 10%, 50V, TP, 1005	
56	2203-000628	C114, C118, C926	C-CHIP, 22pF, 5%, 50V, TP, 1005	
57	2203-000679	C216, C221	C-CHIP, 27pF, 5%, 50V, TP, 1005	
58	2203-000812	C136, C140, C141, C147, C159, C161, C167, C168, C170, C219, C152	C-CHIP, 33pF, 5%, 50V, TP, 1005	
59	2203-000870	C171, C101	C-CHIP, 3pF, 0.25pF, 50V, TP, 1005	
60	2203-001017	C172	C-CHIP, 4pF, 0.25pF, 50V, TP, 1005	
61	2203-000888	C120	C-CHIP, 4.7nF, 10%, 50V, TP, 1608	
62	2203-000940	C138, C931	C-CHIP, 47pF, 10%, 50V, TP, 1005	
63	2203-000995	C131, C134	C-CHIP, 47pF, 5%, 50V, TP, 1005	
64	2203-001103	C142	C-CHIP, 6.8nF, 10%, 50V, TP, 1608	
65	2203-001221	C453	C-CHIP, 820pF, 10%, 50V, TP, 1005	
66	2203-001259	C205	C-CHIP, 8pF, 5%, 50V, TP, 1005	
67	2203-001385	C162, C160	C-CHIP, 1.5pF, 0.25pF, 50V,NPO, TP, 1005	
68	2203-001389	C108	C-CHIP, 12nF, 10%, 50V, TP, 1608	
69	2203-001441	C204	C-CHIP, 75pF, 5%, 50V, TP, 1005	
70	2203-001598	C145, C150, C157	C-CHIP, 2.2uF, +80-20%, 16V, TP, 2012	
71	2203-002443	C117	C-CHIP, 330pF, 10%, 50V, TP, 1005	
72	2203-002525	C460	C-CHIP, 560pF, 10%, 50V, TP, 1005	
73	2203-005052	C218	C-CHIP, 3.3pF, 0.25pF, 50V, TP, 1005	
74	2203-005061	C102, C106, C111, C115, C402, C435, C439, C461, C465, C466, C467, C919	C-CHIP, 100nF, +80-20%, 16V, TP, 1005	
75	2203-005065	C436	C-CHIP, 1uF, +80-20%, 10V, TP, 1608	
76	2203-005234	C164	C-CHIP, 1.2pF, 0.25pF, 50V, TP, 1005	
77	2203-005496	C941	C-CHIP, 220nF, +80-20%, 16V, TP, 1005	
78	2404-001083	C400, C404	CAP-TANTAL, 220uF, 20%, 6.3V, 7125	
79	2404-001105	C151, C970	CAP-TANTAL, 10uF, 20%, 6.3V	
80	2404-001113	C154	C-TA, CHIP, 22uF, 20%, 6.3V,-,TP, 3528	
81	2703-001040	L206, L104, L205	Inductor, 10nH, 5%, 1608	
82	2703-001513	L204	Inductor, 100nH, 5%, 1.8x1.12x1.02mm	
83	2703-001189	L200, L203	Inductor, 18nH, 5%, 1608	
84	2703-001748	L100	Inductor, 6.8nH, 5%, 1005	
85	2703-001293	L101, L201, L202	Inductor, 82nH, 5%, 1608	
86	2703-001165	L207	Inductor, 4.7nH, 5%, 1608	

87	2703-001259	L106, L108	Inductor, 47nH, 5%, 1608	
88	2703-001514	L105	Inductor, 68nH, 5%, 1608	
89	2703-001784	L400	INDUCTOR-SMD, 22UH, 20%, 6.6X7.5X2.5MM	
90	2801-003747	X300	Crystal, 32.768KHz, 30ppm, 9pF	
91	2806-001161	U104	VCO, 880-915MHz, TP, 5V, 50mA	
92	2806-001162	U100	VCO, 1150-1185MHz, TP, 5V	
93	2806-001210	U849	Oscillator-VCO, 545MHZ, TP, 2.85V, 5MA	
94	2904-001092	F100	FILTER-SAW, 225.01MHz	
95	2904-001094	F200	FILTER-SAW, 947.5MHz, 12.5MHz, +-12.5MHz/1dB	
96	2904-001124	F101	FILTER-SAW, 947.5MHz, 25MHz, TP	
97	3705-001163	J1004	CONNECTOR-COAXIAL, SMC, JACK, 100mohm	
98	3710-001277	J1003	B'd Connector, 60P, 2R, 0.5mm, SOCKET	

## 2. Electrical Parts List

### Main B'd (SOLD)

NO	SEC CODE	Location No.	Description	Etc
1	0401-001033	D304	DIODE-SWITCHING, MCL4154,25V,200mA,M-MELF,TP	
2	0404-001044	D302,D303	DIODE-SCHOTTY, 20V, 1A, SMD	
3	0404-001054	U206	DIODE-SCHOTTY, 70V, 15mA. SOT-143	
4	0407-001002	D301	DIODE-ARRAY, 80V, 300mA, CA2-3, EM3	
5	0501-000162	Q401	TR-SMALL SIGNAL, PNP, 200mW, SC-70	
6	0506-000107	Q402	TR-ARRAY, NPN, 50V, 40V, 30mA, 300mW	
7	0506-001004	U109, U410	TR-ARRAY, NPN/PNP, 2.50V, 300mW, UM5	
8	0506-001024	U200	TR-ARRAY, PNP/NPN, 200mW, UM6	
9	0506-001030	Q403	TR-ARRAY, NPN, 150MW, SC-88A, TP	
10	0801-000796	U842	IC-CMOS LOGIC, GATE, SOP, 5P, 64MIL	
11	0801-0002345	U852	IC-CMOS LOGIC, INVERTER, 200mW, SOP, 5P	
12	1201-001456	U203	IC-OP AMP, SOT-23, 5P, SINGLE, 70dB	
13	1201-001007	U411	IC-OP AMP, SOP, 14P, DUAL	
14	1201-001299	U202	IC-POWER AMP, RF-K, 8P, SINGLE, 8V	
15	1203-001256	U311	IC-VOLTAGE REGULATOR, SOT-23, 5P, 59MIL	
16	1203-001454	U307, U406	IC-VOLTAGE REGULATOR, SOT-23, 5P, 59MIL	
17	1203-001515	U304	IC-CHARGE, SSOP, 16P, 150MIL	
18	1203-001740	U400	IC-voltage translator, SOP, 16P, 150MIL	
19	1205-001697	U405	IC-CODE, TQFP, 80P, 472MIL, 3V, T R, VLSI	
20	2007-000070	R201	R-CHIP, 0ohm, 5%, 1/16W, DA, TP, 1005	
21	2007-000137	R205	R-CHIP, 2Kohm, 5%, 1/16W, DA, TP, 1005	
22	2007-000138	R204	R-CHIP, 100ohm, 5%, 1/16W, DA, TP, 1005	
23	2007-000139	R413, R417	R-CHIP, 220ohm, 5%, 1/16W, DA, TP, 1005	
24	2007-000140	R218, R223, R305, R419, R420, R991	R-CHIP, 1Kohm, 5%, 1/16W, DA, TP, 1005	
25	2007-000142	R200,	R-CHIP, 2.7Kohm, 5%, 1/16W, DA, TP, 1005	
26	2007-000143	R139, R213	R-CHIP, 4.7Kohm, 5%, 1/16W, DA, TP, 1005	
27	2007-000147	R224	R-CHIP, 8.2Kohm, 5%, 1/16W, DA, TP, 1005	
28	2007-000148	R403, R410, R411, R418, R429, R526, R527, R982, R983, R971, R989	R-CHIP, 10Kohm, 5%, 1/16W, DA, TP, 1005	
29	2007-000149	R214	R-CHIP, 12Kohm, 5%, 1/16W, DA, TP, 1005	
30	2007-000151	R216	R-CHIP, 15Kohm, 5%, 1/16W, DA, TP, 1005	
31	2007-000153	R215	R-CHIP, 22Kohm, 5%, 1/16W, DA, TP, 1005	
32	2007-000157	R217	R-CHIP, 47Kohm, 5%, 1/16W, DA, TP, 1005	
33	2007-000162	R400, R401, R430, R437, R966, R990, R993, R989	R-CHIP, 100Kohm, 5%, 1/16W, DA, TP, 1005	
34	2007-000758	R455, R457	R-CHIP, 330Kohm, 5%, 1/16W, DA, TP, 1005	
35	2007-000831	R203	R-CHIP, 39Kohm, 5%, 1/16W, DA, TP, 1005	
36	2007-001119	R211	R-CHIP, 680ohm, 5%, 1/16W, DA, TP, 1005	
37	2007-001306	R210	R-CHIP, 150ohm, 5%, 1/16W, DA, TP, 1005	
38	2007-001307	R208	R-CHIP, 180ohm, 5%, 1/16W, DA, TP, 1005	
39	2007-001325	R212	R-CHIP, 3.3Kohm, 5%, 1/16W, DA, TP, 1005	
40	2007-002797	R225, R521	R-CHIP, 560ohm, 5%, 1/16W, DA, TP, 1005	
41	2007-007008	R306	R-CHIP, 300ohm, 5%, 1/16W, DA, TP, 1005	
42	2007-007107	R311	R-CHIP, 100Kohm, 1%, 1/16W, DA, TP, 1005	



43	2007-007137	R302	R-CHIP, 18Kohm, 1%, 1/16W, DA, TP, 1005	
44	2007-007136	R446, R463	R-CHIP, 4.7Kohm, 1%, 1/16W, DA, TP, 1005	
45	2007-007142	R445, R448, R461, R451, R453, R456, R458, R462	R-CHIP, 10Kohm, 1%, 1/16W, DA, TP, 1005	
46	2007-007309	R304, R307	R-CHIP, 12Kohm, 1%, 1/16W, DA, TP, 1005	
47	2007-007311	R449, R450, R454, R460,	R-CHIP, 22Kohm, 1%, 1/16W, DA, TP, 1005	
48	2007-007312	R502	R-CHIP, 20Kohm, 1%, 1/16W, DA, TP, 1005	
49	2007-007318	R443, R452, R459, R468	R-CHIP, 1Kohm, 1%, 1/16W, DA, TP, 1005	
50	2007-007586	R444, R447, R465, R466	R-CHIP, 470ohm, 1%, 1/16W, DA, TP, 1005	
51	2007-007586	R310	R-CHIP, 82Kohm, 1%, 1/16W, DA, TP, 1005	
52	2007-007592	R303	R-CHIP, 270Kohm, 1%, 1/16W, DA, TP, 1005	
53	2203-000233	C209, C214, C223, C226, C227, C229, C233, C208	C-CHIP, 100pF, 5%, 50V, TP, 1005	
54	2203-000254	C200, C201, C315, C317, C405, C419, C421, C423, C427, C428, C438, C458, C967	C-CHIP, 10nF, 10%, 16V, TP, 1005	
55	2203-000438	C407, C451, C455, C935, C936	C-CHIP, 1nF, 10%, 50V, TP, 1005	
56	2203-000489	C446, C459	C-CHIP, 2.2nF, 10%, 50V, TP, 1005	
57	2203-000585	C210	C-CHIP, 220pF, 10%, 50V, TP, 1005	
58	2203-000628	C213	C-CHIP, 22pF, 5%, 50V, TP, 1005	
59	2203-000714	C445, C464	C-CHIP, 3.3nF, 10%, 50V, TP, 1005	
60	2203-000725	C447, C457	C-CHIP, 3.9nF, 10%, 50V, TP, 1005	
61	2203-000812	C224	C-CHIP, 33pF, 5%, 50V, TP, 1005	
62	2203-000854	C920	C-CHIP, 39pF, 5%, 50V, NPO,TP, 1005	
63	2203-000940	C963, C972	C-CHIP, 470pF, 10%, 50V, TP, 1005	
64	2203-001033	C444, C463	C-CHIP, 5.6nF, 10%, 25V, TP, 1005	
65	2203-001153	C983	C-CHIP, 68nF, 5%, 50V, TP, 1005	
66	2203-001221	C212	C-CHIP, 820pF, 10%, 50V, TP, 1005	
67	2203-001239	C922, C979, C980, C981, C974, C975	C-CHIP, 82pF, 5%, 50V, TP, 1005	
68	2203-001259	C174	C-CHIP, 8pF, 5%, 50V, TP, 1005	
69	2203-001405	C406, C429	C-CHIP, 22nF, 10%, 50V, X7R, TP, 1005	
70	2203-001432	C424, C450, C452	C-CHIP, 47nF, 10%, 16V, TP, 1005	
71	2203-002443	C448, C449, C454, C456	C-CHIP, 330pF, 10%, 50V, TP, 1005	
72	2203-005061	C302, C304, C408, C985	C-CHIP, 100nF, +80-20%, 16V, TP, 1005	
73	2203-005065	C230, C303, C311	C-CHIP, 1uF, +80-20, 10V, TP, 1608	
74	2203-005367	C305	C-CHIP, 6.8uF, 20%, 25V, 3225	
75	2404-001039	C430	CAP-TANTAL, 47uF, 20%, 6.3V, 3528	
76	2404-001083	C228,	CAP-TANTAL, 220uF, 20%, 6.3V, 7125	
77	2404-001105	C202, C316, C409, C410, C437, C961	CAP-TANTAL, 10uF, 20%, 6.3V	
78	2404-001086	C942	Capacitor, 4.7uF, 20%, 6.3V, 2012	
79	2404-001113	C314	C-TA, CHIP , 22uF, 20%, 6.3V,-, 3528	
80	2703-000153	L402, L404	Inductor, 1000uH, 20%, 1210-ac13225	
81	2703-001174	L208	Inductor, 33nH, 5%, 1608	
82	2703-001417	L401, L403	Inductor, 680uH, 20%, 3225	
83	2703-001781	L300	INDUCTOR-SMD, 10UH, 20%, 4.45X6.6X2.5MM	
84	2809-001220	U201	VCTCXO, 13MHz, 2.5pm, TP, 3V	

Electrical Parts List

85	2909-001072	U204	IC-SWITCH, 942.5MHz, 897.5MHz, TP	
86	3301-001177	FB100	CORE-FERRITE BEAD, AB, 3.2x1.6x1.1mm	
87	3301-001208	B1, B2	CORE-FERRITE BEAD, AB, 1.6x0.8x0.8mm	
88	3709-001074	J400	SIM CONNECTOR, 6P, SMD-S	
89	4709-001124	U205	COUPLER, 800+-1000MHz, 14dB, 3.2x1.6x0.7mm	

## 2. Electrical Parts List

---

### Key B'd (COMP)

---

<i>NO</i>	<i>SEC CODE</i>	<i>Location No</i>	<i>Description</i>	<i>Etc</i>
1	0406-001005	D404, D415, D416, D417 D421, D422, D423, D424, D426, D427	ESD DIODE, 6V/1mA, SOT-23	
2	0601-000273	D405, D406, D407, D408 D409, D410, D411, D412	LED-CHIP, Y/GRN, 0.8X1.2mm, 570nm	
3	0601-000276	D428	LED-CHIP, Y/GRN, 1.6X2.0mm, 570nm	
4	1405-001019	VA1	VARISTOR, 5.6V, -, 1.6X0.8mm, TP	
5	2007-000138	R477	R-CHIP, 100ohm, 5%, 1/16W, DA, TP, 1005	
6	2203-000254	C1006, C1007	C-CHIP, 10nF, 10%, 16V, TP, 1005	
7	2203-001239	C923, C1028, C1029	C-CHIP, 82pF, 5%, 50V, TP, 1005	

## Key B'd (SOLD)

NO	SEC CODE	Location No	Description	Etc
1	0406-001005	D420, D429, D430	ESD DIODE, 6V/1mA, SOT-23	
2	0406-001012	D402, D414	ESD DIODE, 13.3V/1mA, 300W, SOT-23	
3	0407-001002	D431	DIODE-ARRAY, 80V, 300mA, CA2-3, EM3	
4	0407-001030	D305, D306, D403, D418 D419	DIODE-ARRAY, 5V, CK5-2, SOT-23	
5	0501-000218	Q300	TR-SMALL SIGNAL, NPN, 200mW, UMT	
6	0501-002011	Q500, Q502	TR-SMALL SIGNAL, NPN, 200mW, SOT-23	
7	0504-001012	U878	TR-DIGITAL, NPN, 150mW, 10K-47Kohm, EMT	
8	0505-001332	Q501	FET-SILICON, N, 25V, 0.22A, 4OHM, 3W, SC70-6	
9	1001-001088	U887, U888	IC-ANALOG SWITCH, SOT-23, 6P, 13V, 571MW	
10	1202-001022	U886	IC-VOLFAGECOMP, 8P, DUAL, 36V, CMOS	
11	0504-001012	U861	TR-DIGITAL, NPN, 150mW, 10K-47Kohm, EMT	
12	2007-000138	R478, R479, R482, R483 R484, R485, R1002, R1003	R-CHIP, 100ohm, 5%, 1/16W, DA, TP, 1005	
13	2007-000139	R967, R969, R970, R988, R1027	R-CHIP, 220ohm, 5%, 1/16W, DA, TP, 1005	
14	2007-000143	R301, R502	R-CHIP, 4.7Kohm, 5%, 1/16W, DA, TP, 1005	
15	2007-000148	R971, R980	R-CHIP, 10Kohm, 5%, 1/16W, DA, TP, 1005	
16	2007-000162	R300, R975, R1032, R1036, R1037, R1038, R1039	R-CHIP, 100Kohm, 5%, 1/16W, DA, TP, 1005	
17	2007-000171	R498, R1033	R-CHIP, 0ohm, 5%, 1/16W, DA, TP, 1005	
18	2007-000172	R480, R481	R-CHIP, 10ohm, 5%, 1/16W, DA, TP, 1005	
19	2007-000242	R501	R-CHIP, 1.5Kohm, 5%, 1/16W, DA, TP, 1005	
20	2007-001308	R524	R-CHIP, 200ohm, 5%, 1/16W, DA, TP, 1005	
21	2007-007142	R1035	R-CHIP, 10Kohm, 1%, 1/16W, DA, TP, 1005	
22	2007-007138	R1034	R-CHIP, 27Kohm, 1%, 1/16W, DA, TP, 1005	
23	2203-000254	C950	C-CHIP, 10nF, 10%, 16V, TP, 1005	
24	2203-001239	C1021, C1022, C1030 C1031	C-CHIP, 82pF, 5%, 50V, TP, 1005	
25	2203-005061	C300	C-CHIP, 100nF, +8-20%, 16V, TP, 1005	
26	2203-005065	C940	C-CHIP, 1μF, +80-20%, 10V, Y5V, TP, 1608	
27	3002-001078	J1005	BUZZER-MAGNETIC, 88DB, 3.6V, 120MA, 2300-2600HZ	
28	3402-001039	SW22	SWITCH-REED, 100VDC, 9.5A, 1000US	
29	3710-001429	J401	CONNECTOR-SOCKET 18P	
30	3711-003780	J1002	B'd Connector, 60P, 2R, 0.5mm, HEADER	
31	3708-001295	J1003(Keypad B'd)	LCE_FPC connector, 22pins	
32	3722-001380	J1008	JACK-PHONE, 6P, 2.6PI, AG, BLK	

## Else parts

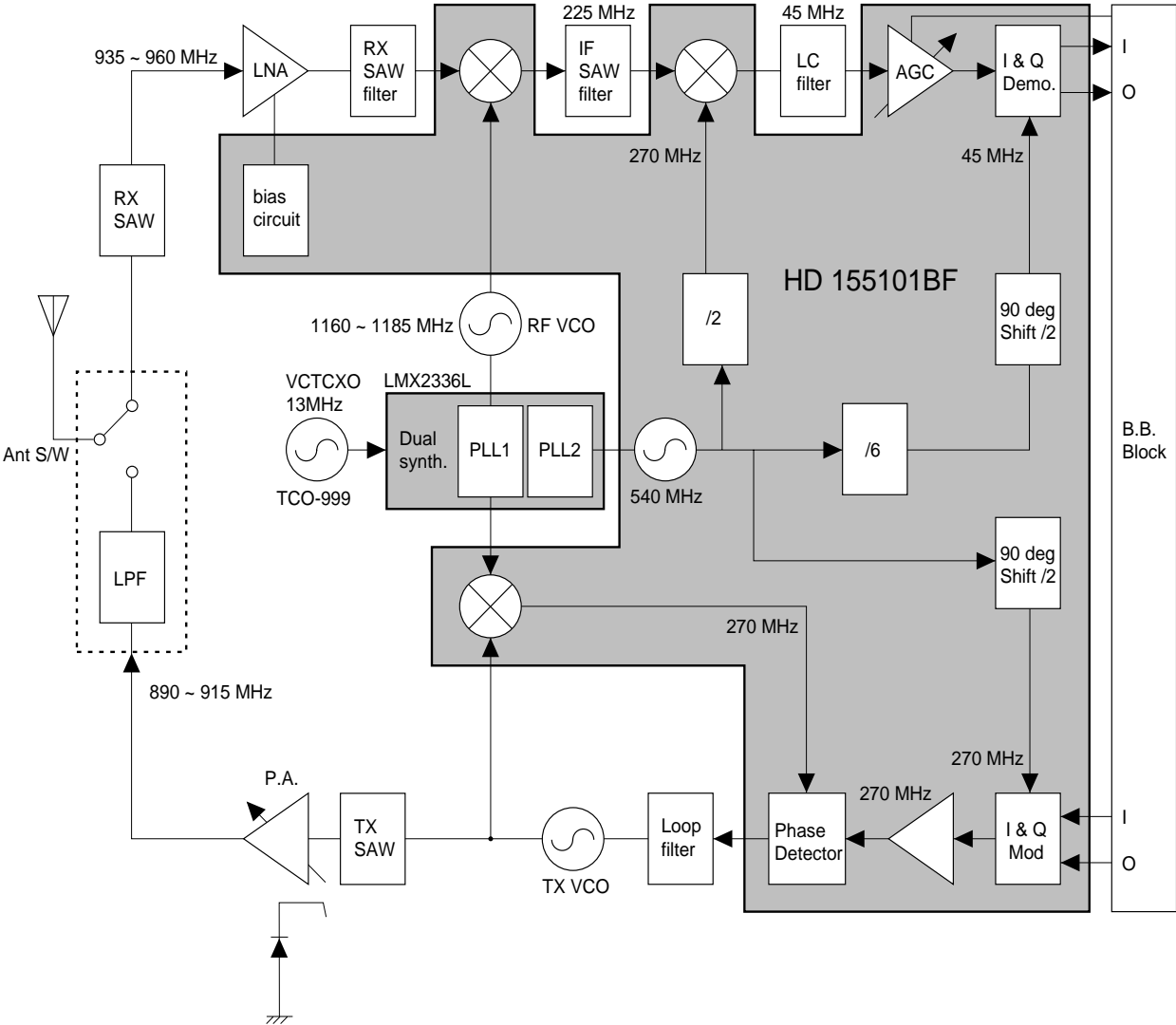
NO	SEC CODE	Location No	Description	Etc
1	GH96-00839A	J1004 (Keypad B'd)	MIC Ass'y	
2	GH59-00004A	SW23	Side Key Ass'y (CDMA-800)	
3	GH96-00805A		LCD MODULE	
4	GH42-00009A	A1	ANTENNA-BLACK	
5	GH42-00017A		ANTENNA-GRAY	
6	GH42-00034A		MAIN PCB	
7	GH42-00035A		KEY PCB	
8	GH42-00018A		ANTENNA-CHAMPAGNE GOLD	
9	4302-001081	BAT300	250uAH, back-up battery	
10	GH39-00015A		ANTENNA WIRE	

## Options

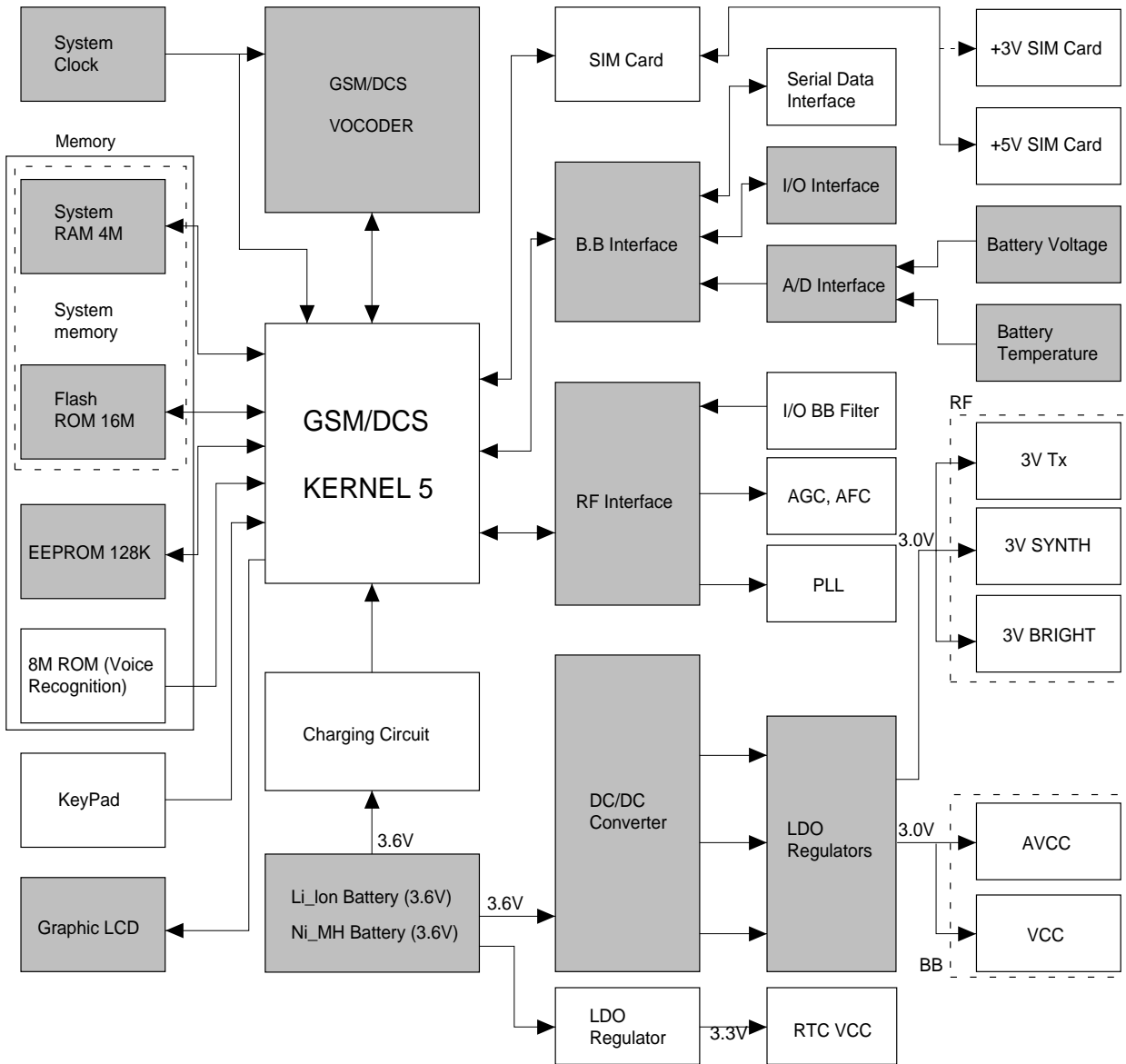
1	GH80-10508A	JIG	SGH-600 TEST JIG	
2	GH39-30532A	CABLE	SGH-600 TEST JIG CABLE	
3	GH44-30549A	TA	SGH-600 TRAVEL ADAPTOR (EUROPE)	
4	GH44-30547A	TA	SGH-600 TRAVEL ADAPTOR (U.K)	
5	GH44-30548A	TA	SGH-600 TRAVEL ADAPTOR (U. S. A)	
6	GH44-30550A	TA	SGH-600 TRAVEL ADAPTOR (AUSTRALIA)	
7	GH44-30553A	TA	SGH-600 TRAVEL ADAPTOR (CHINA)	
8	GH39-10504A	TA CABLE	SGH-600 TA CABLE (DC CODE)	
9		CLA	CLA (SGH-600)	
10	GH43-00034A	Battery	3.6V, 570mAh (Slim battery, NCB)	
11	GH43-00079A	Battery	3.6V, 1000mAh (Standard battery)	
12	GH43-00080A	Battery	3.6V, 1600mAh (Extended battery)	
13		Data Kit	Data Kit (SGH-600)	
14	GH69-00200A	Car Bolder	New Design	
15	GH44-00037A	Desk Top Charger	New Design	
16	GH44-00038A	Desk Top Charger (CHINA)	New Design	
17	GH96-00788A	Handsfree Kit	New Design, Circuit SGH-600	
18		Simple Handsfree Kit	CLA+Car holder+PHK	
20		Carry Case	New Design	
21	GH96-00830A	EARPHONE (BASIC)		
22	GH96-01121A	EARPHONE (option)	EAR PHONE	

### 3. Block Diagram

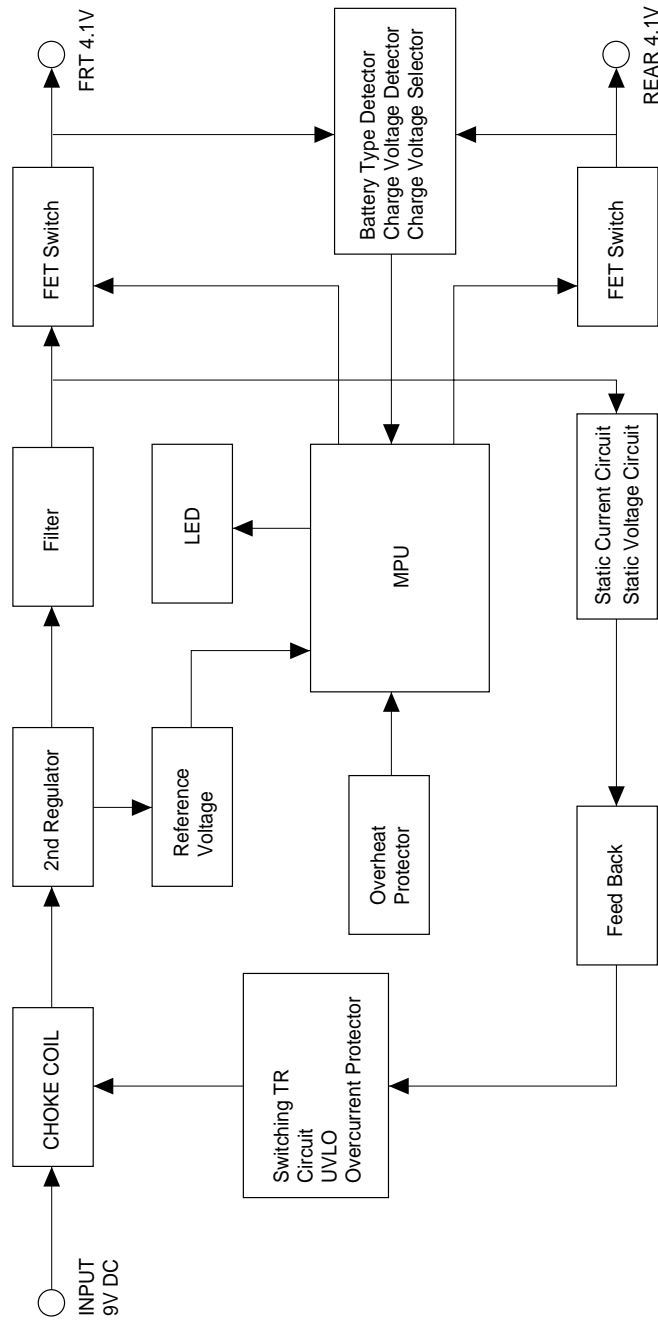
#### 3-1 RF Block Diagram



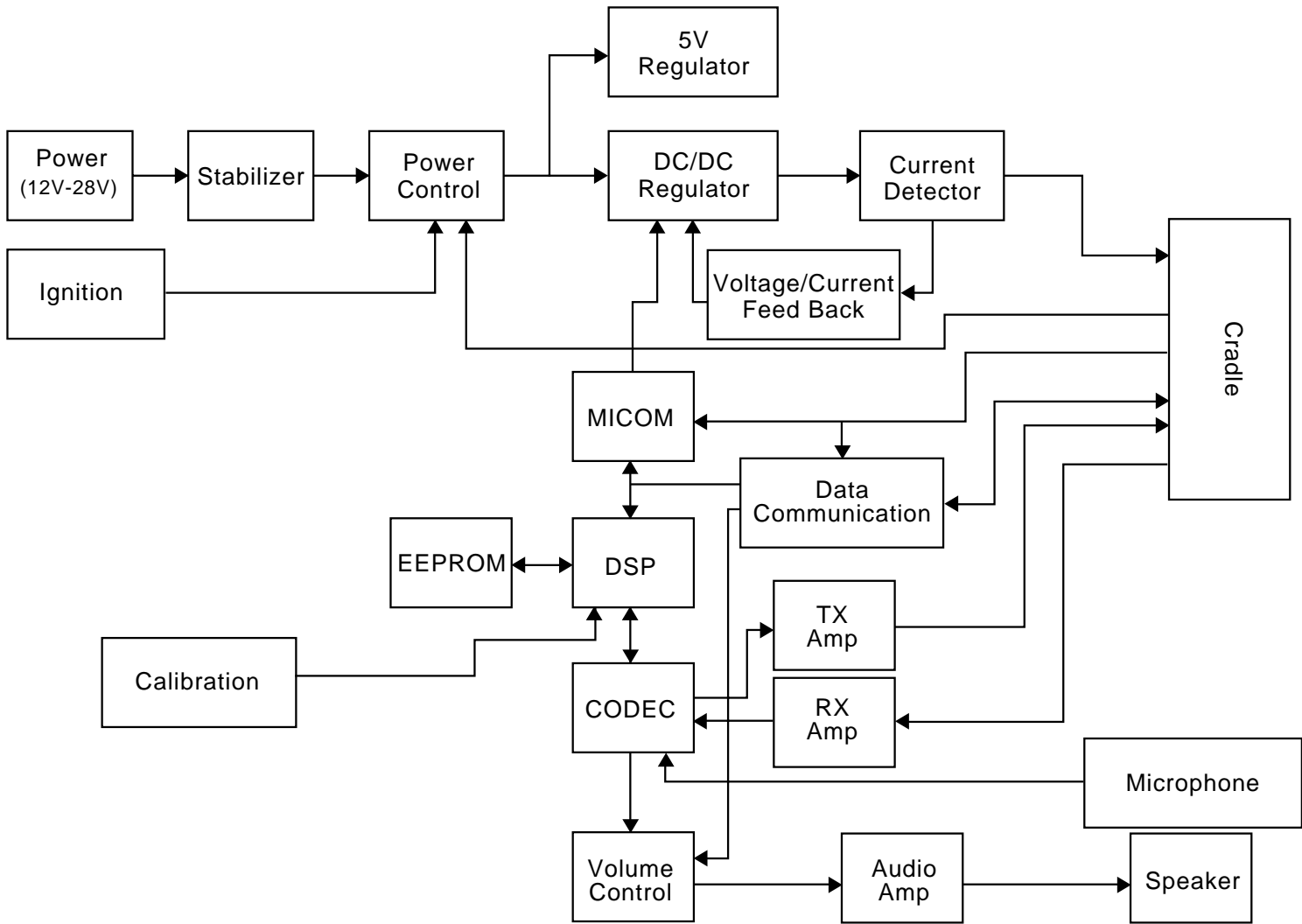
### 3-2 Baseband Block Diagram



### 3-3 DTC Block Diagram





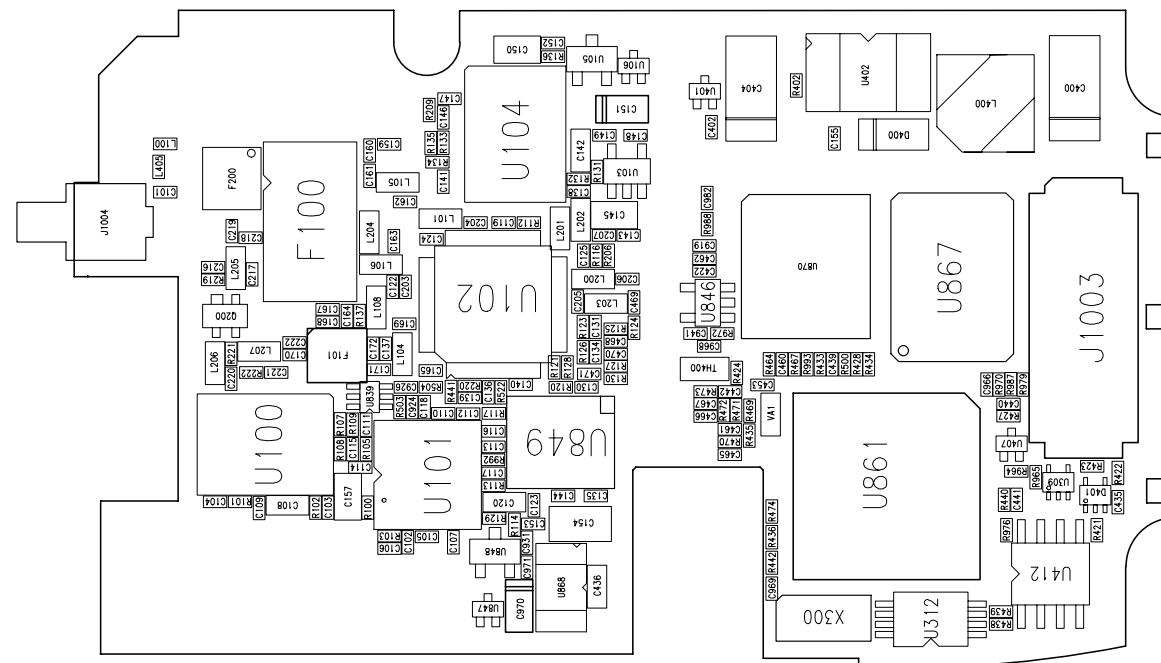


3-4 HFK Block Diagram

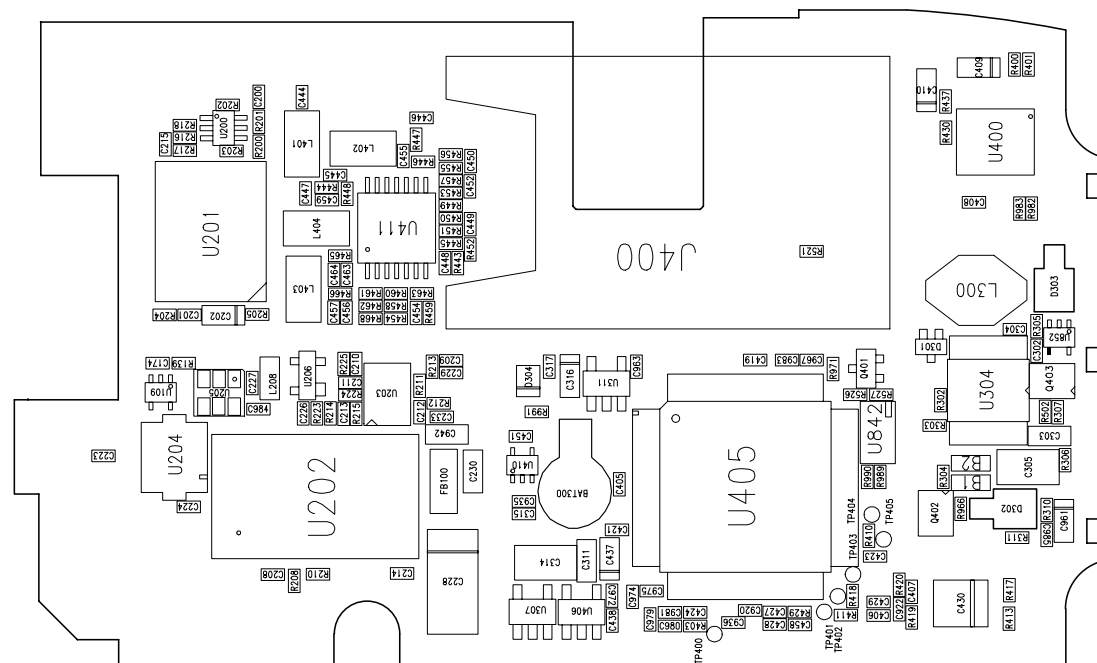
# 4. PCB Diagrams

## 4-1 Main PCB

Top View

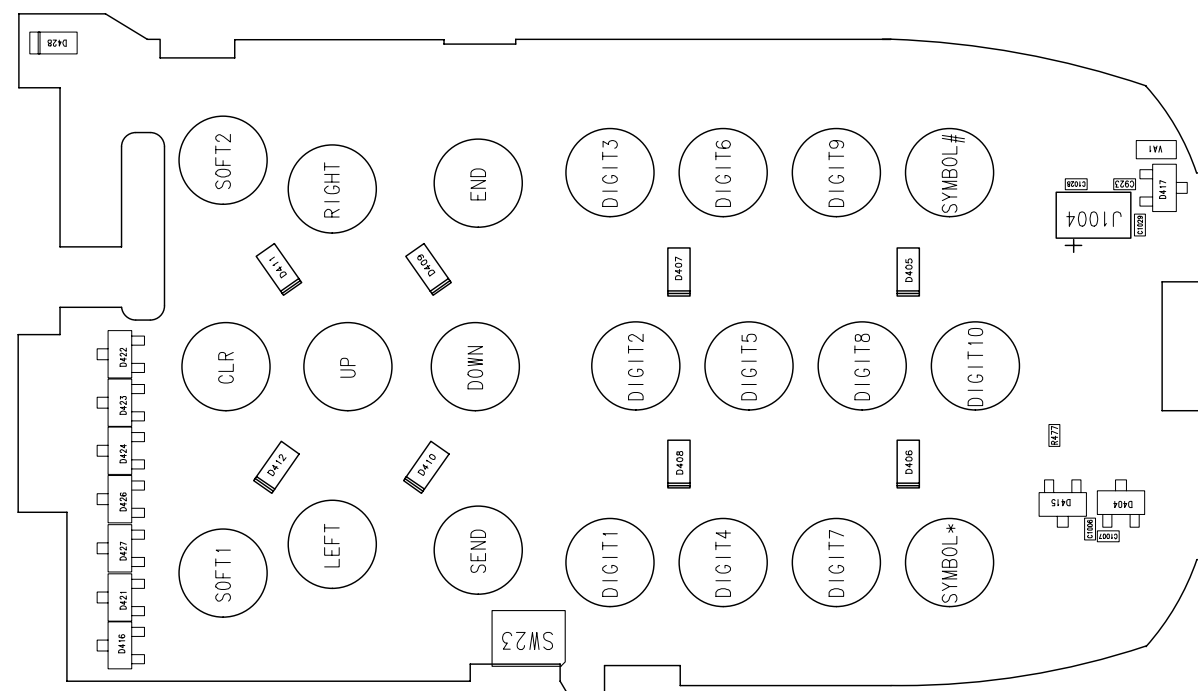


Bottom View

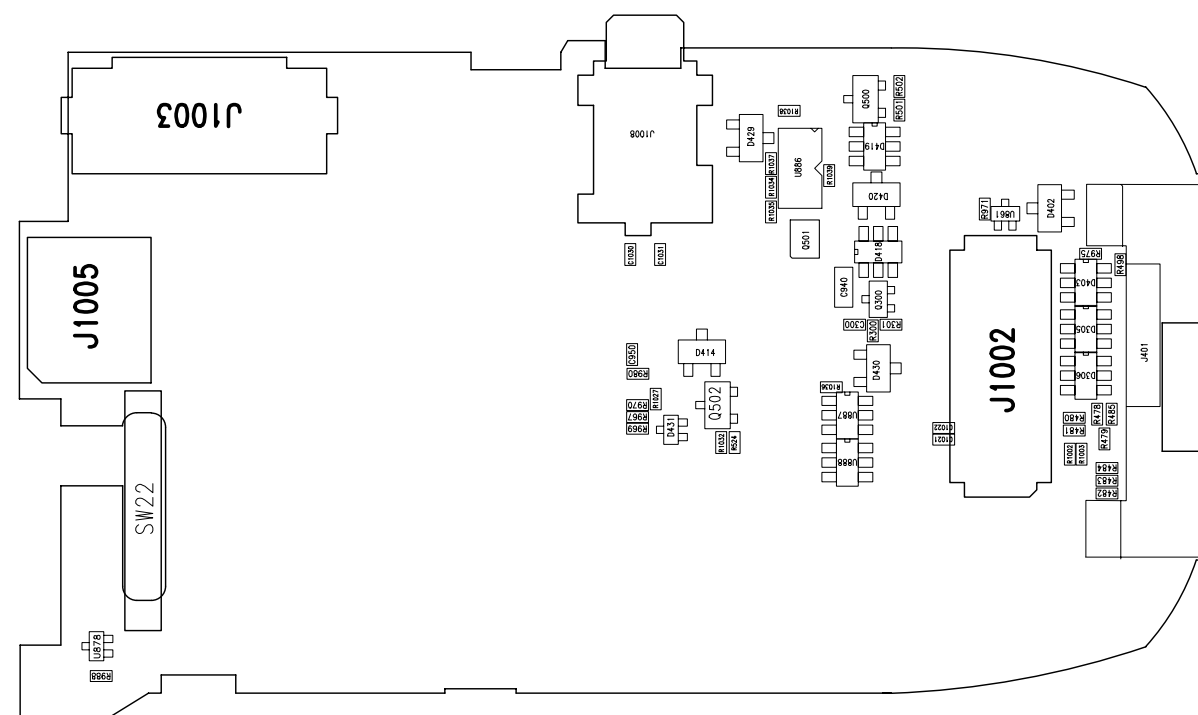


### 4-2 Key PCB

Top View



Bottom View

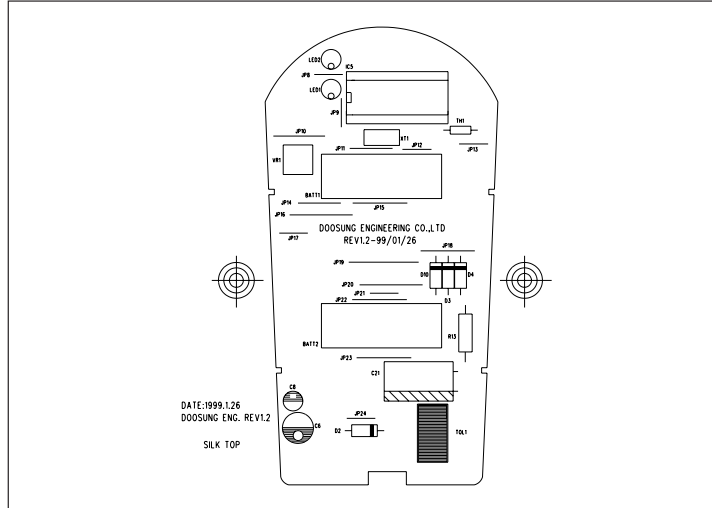




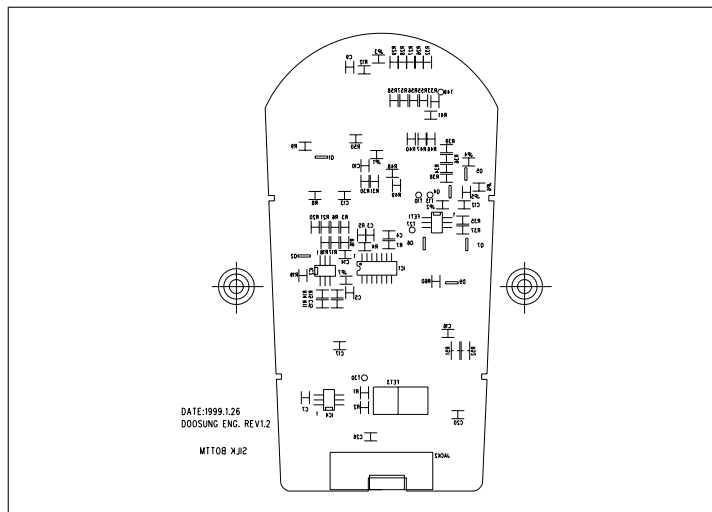
PCB Diagrams

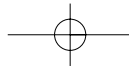
### 4-3 Desk top Charger PCB

Top View



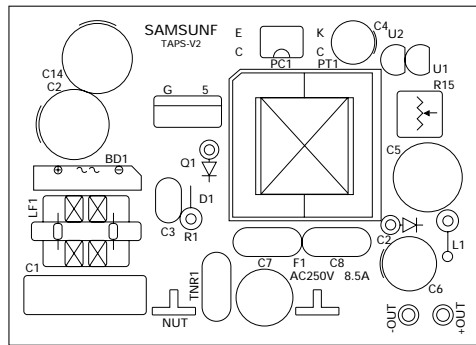
Bottom View



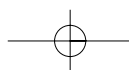
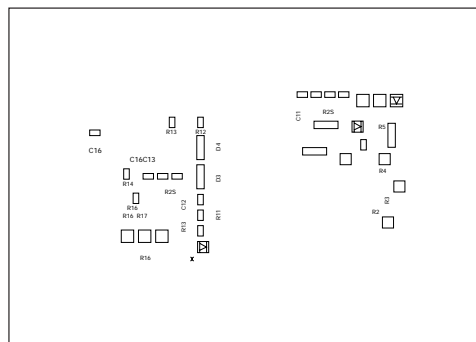


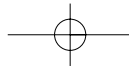
### 4-4 Travel Adaptor PCB

Top View



Bottom View

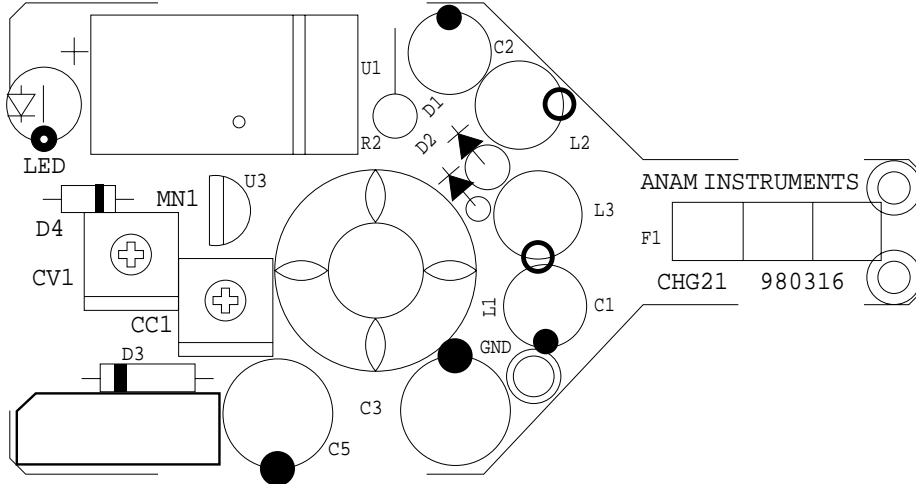




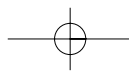
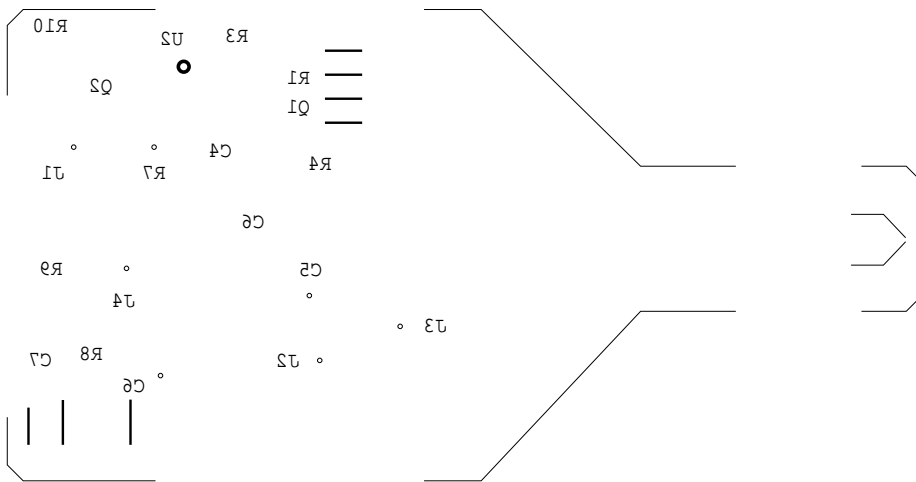
PCB Diagrams

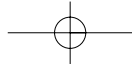
### 4-5 Cigar Light Adaptor PCB

Top View



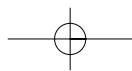
Bottom View





PCB Diagrams

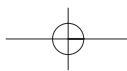
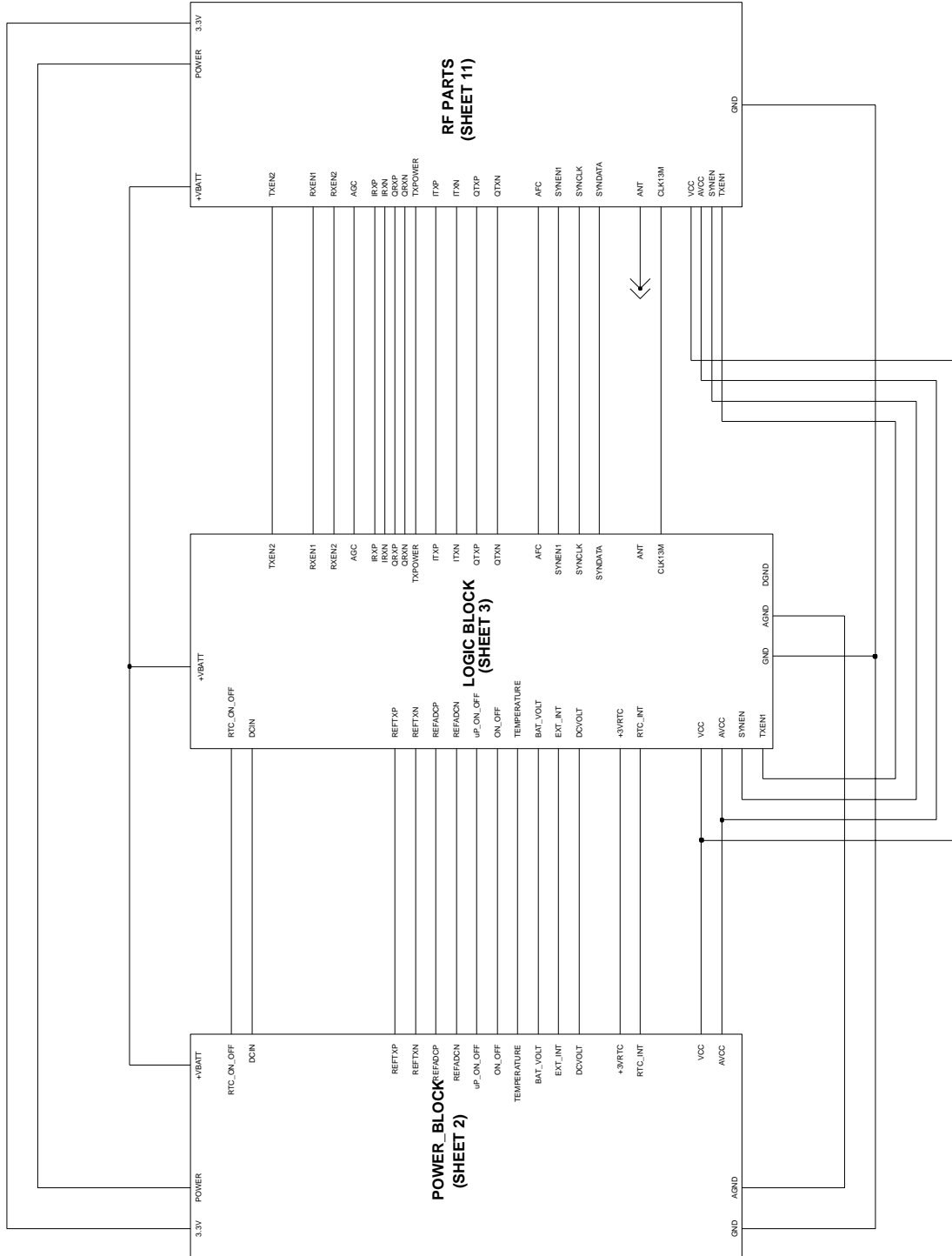
# MEMO



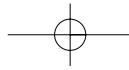


## 5. Schematic Diagrams

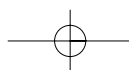
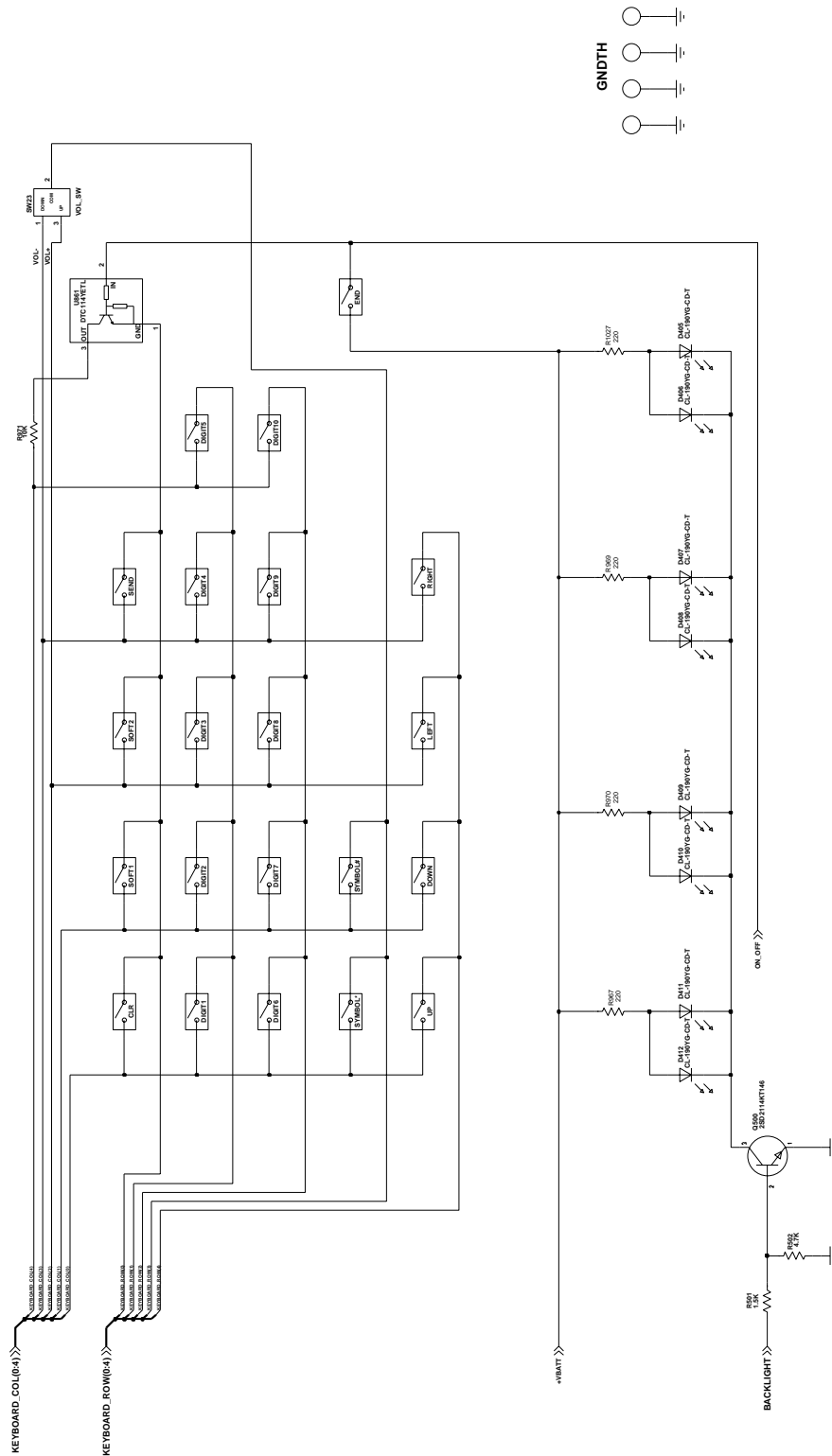
### 5-1 GSM Handset Schematic (Top Level) Circuit Diagram

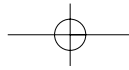




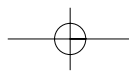
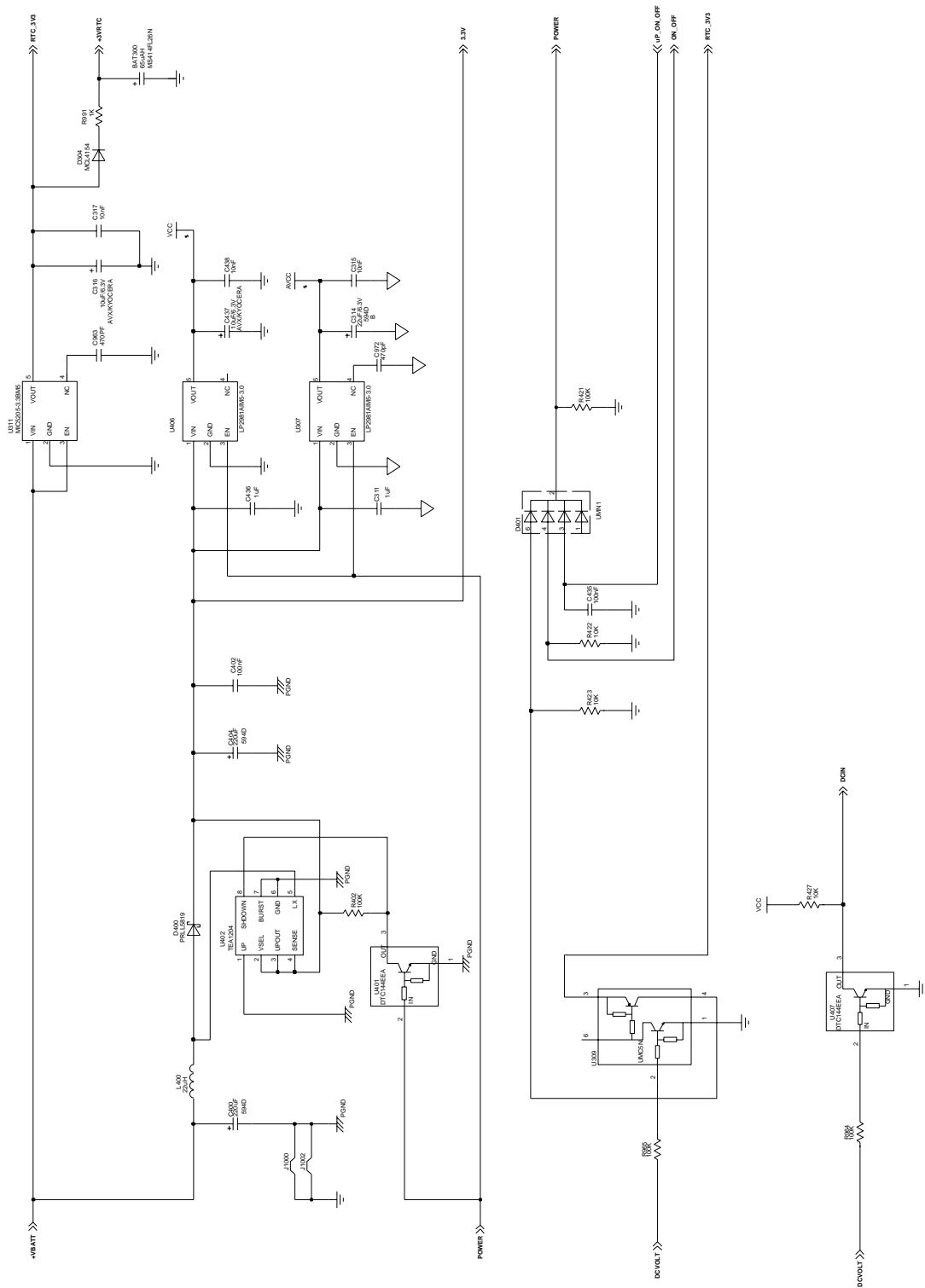


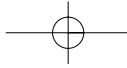
## 5-2 Power Management Schematic (Level 2) Circuit Diagram



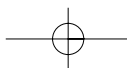
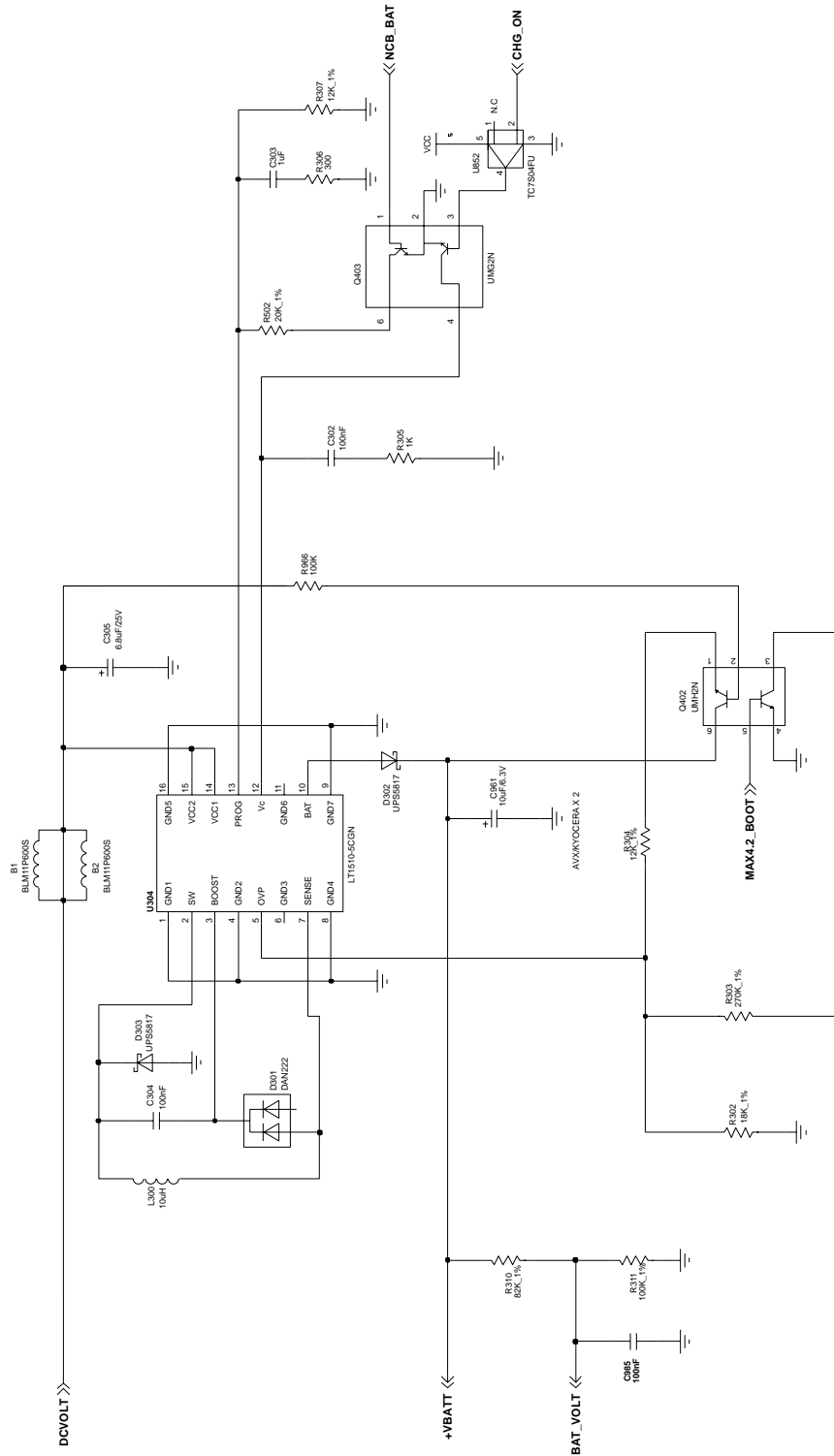


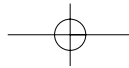
### 5-3 PSU Schematic Circuit Diagram



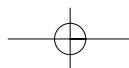
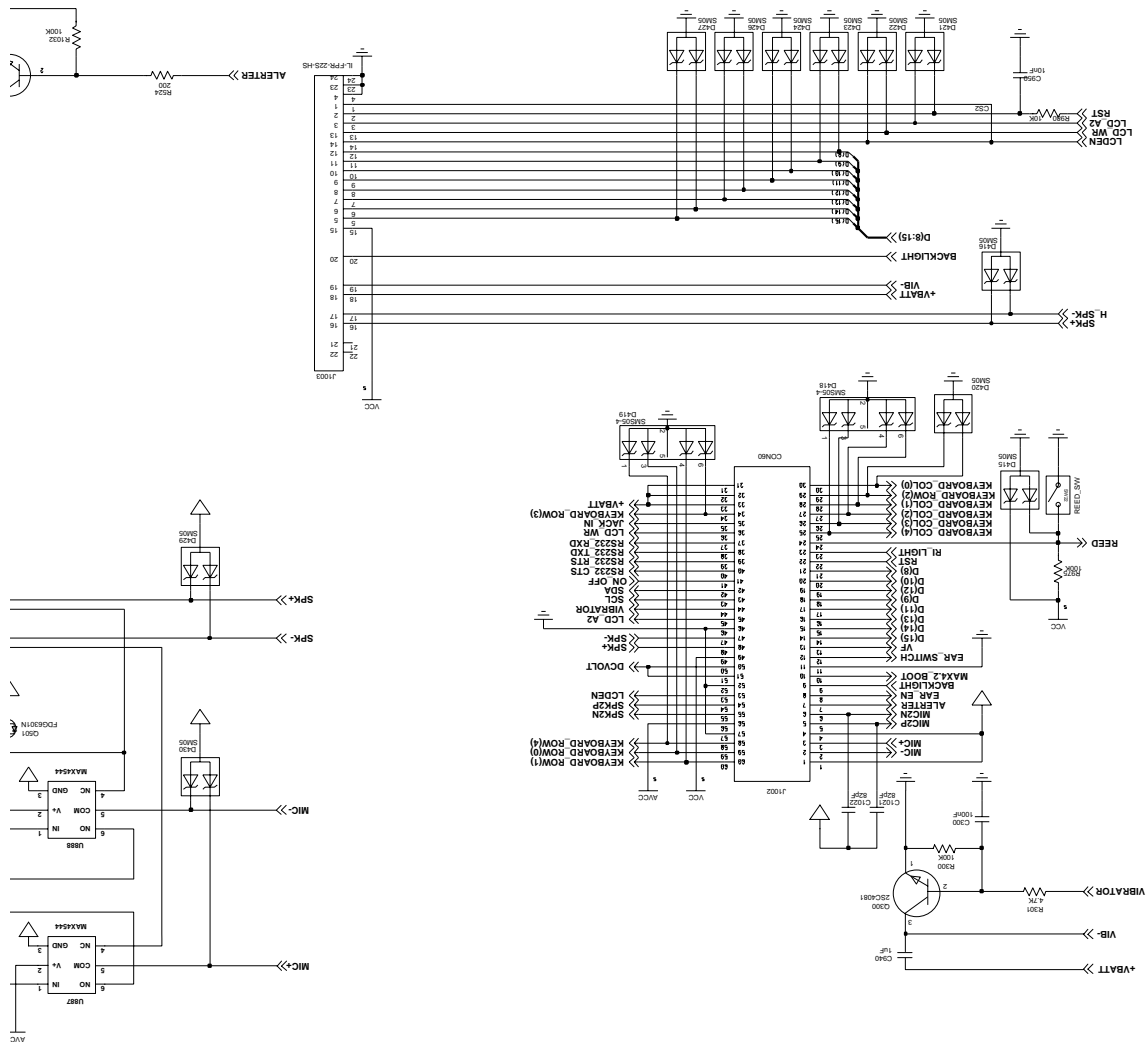


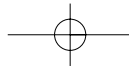
### 5-4 Charger Schematic Circuit Diagram



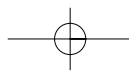
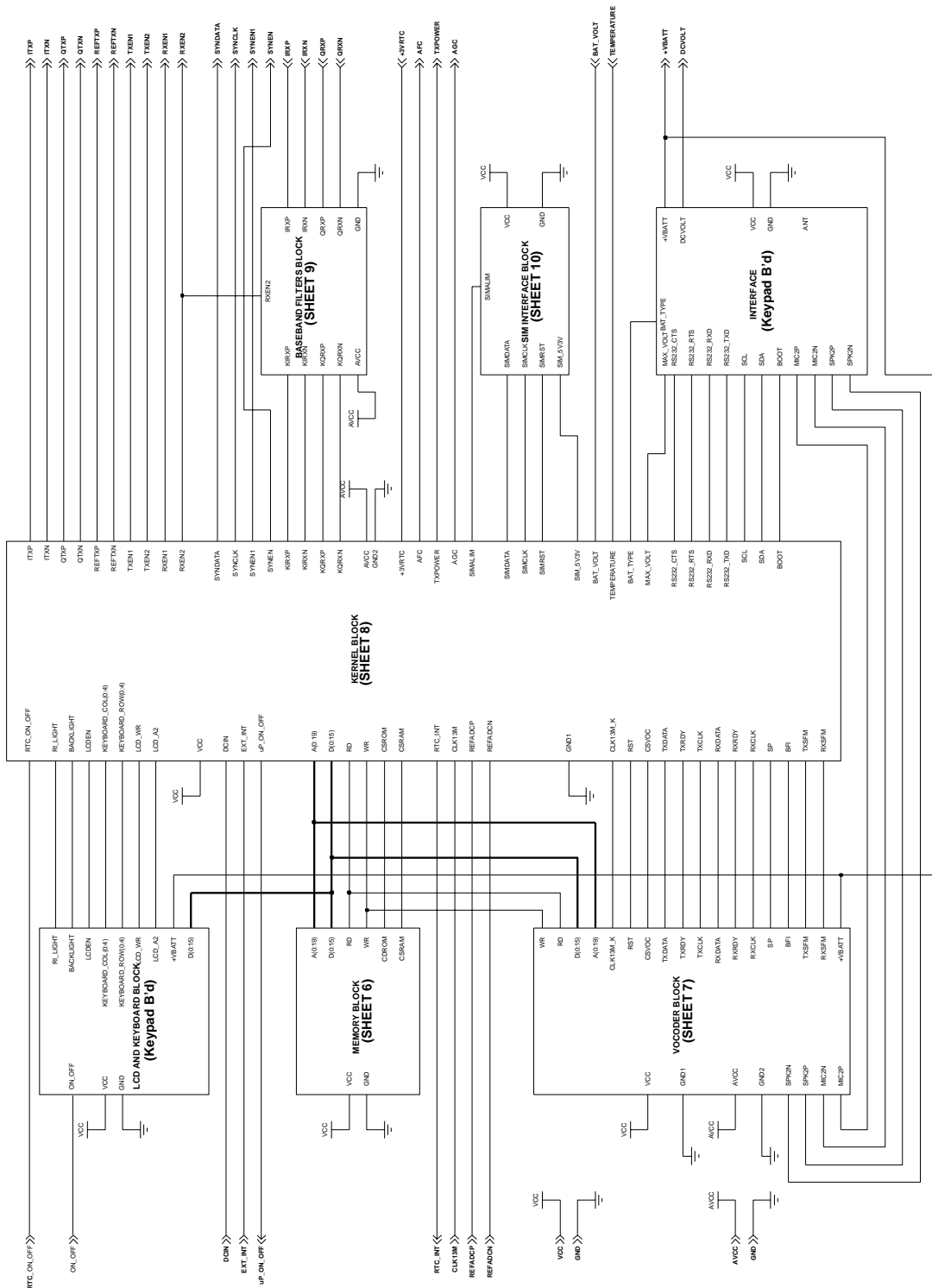


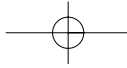
### 5-5 Logic Schematic Circuit Diagram



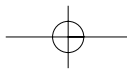
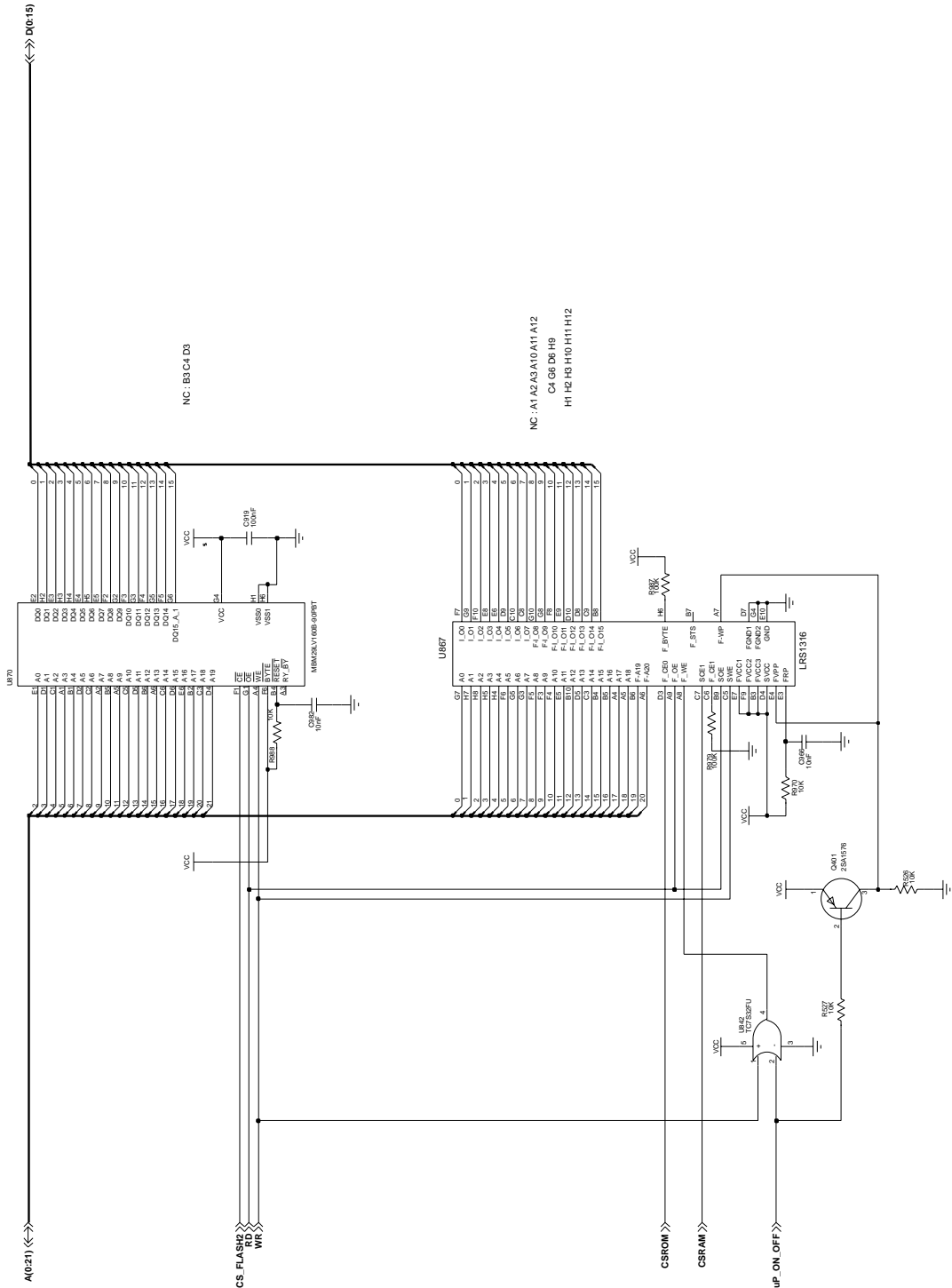


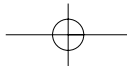
## 5-6 Logic Schematic (Level 2) Circuit Diagram



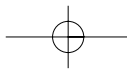
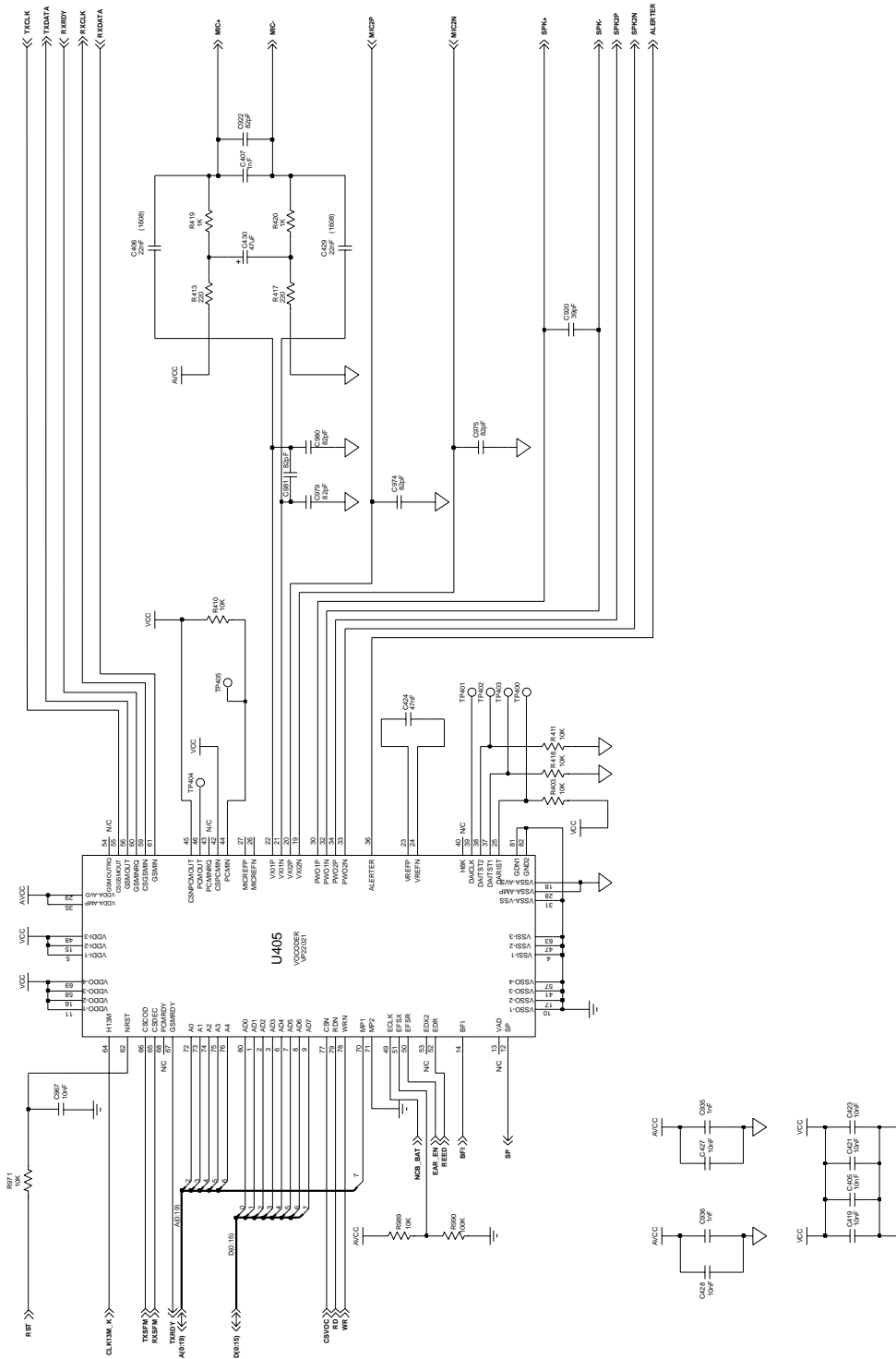


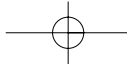
### 5-7 Memory Schematic Circuit Diagram



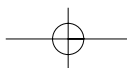
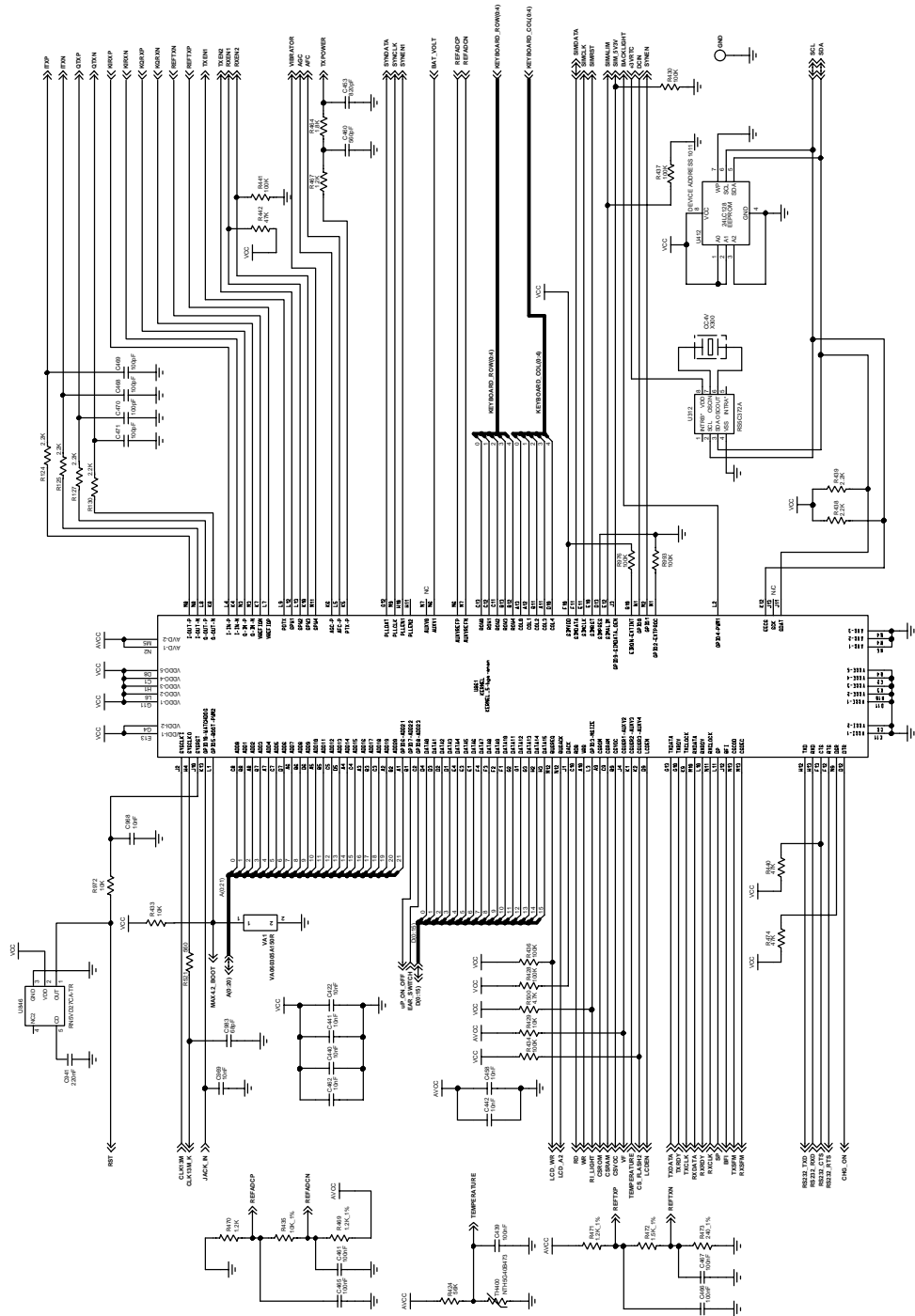


# 5-8 Vocoder Schematic Circuit Diagram

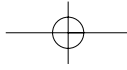




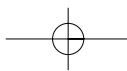
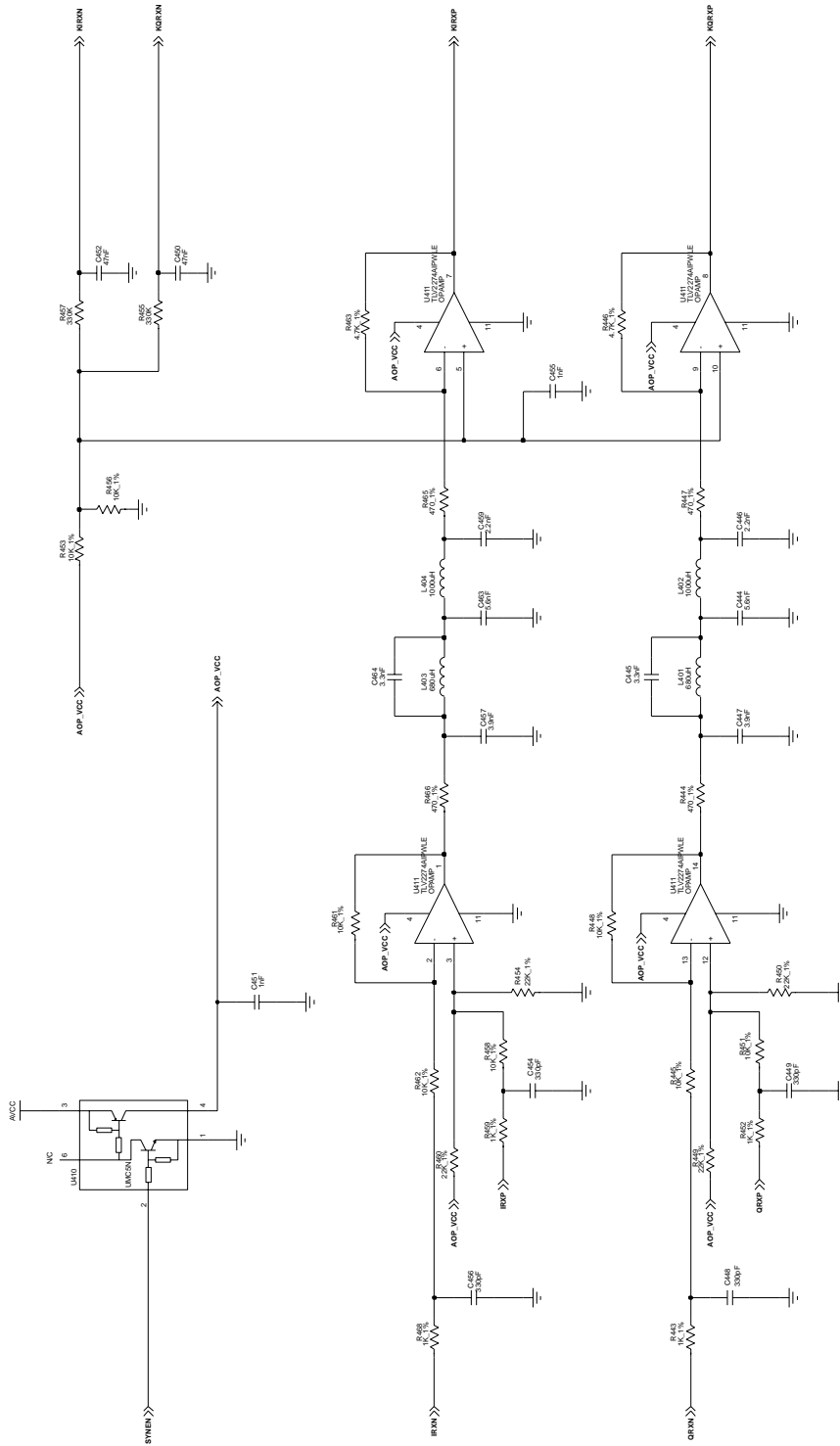
### 5-9 Kernel Schematic Circuit Diagram

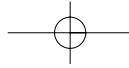




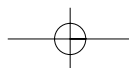
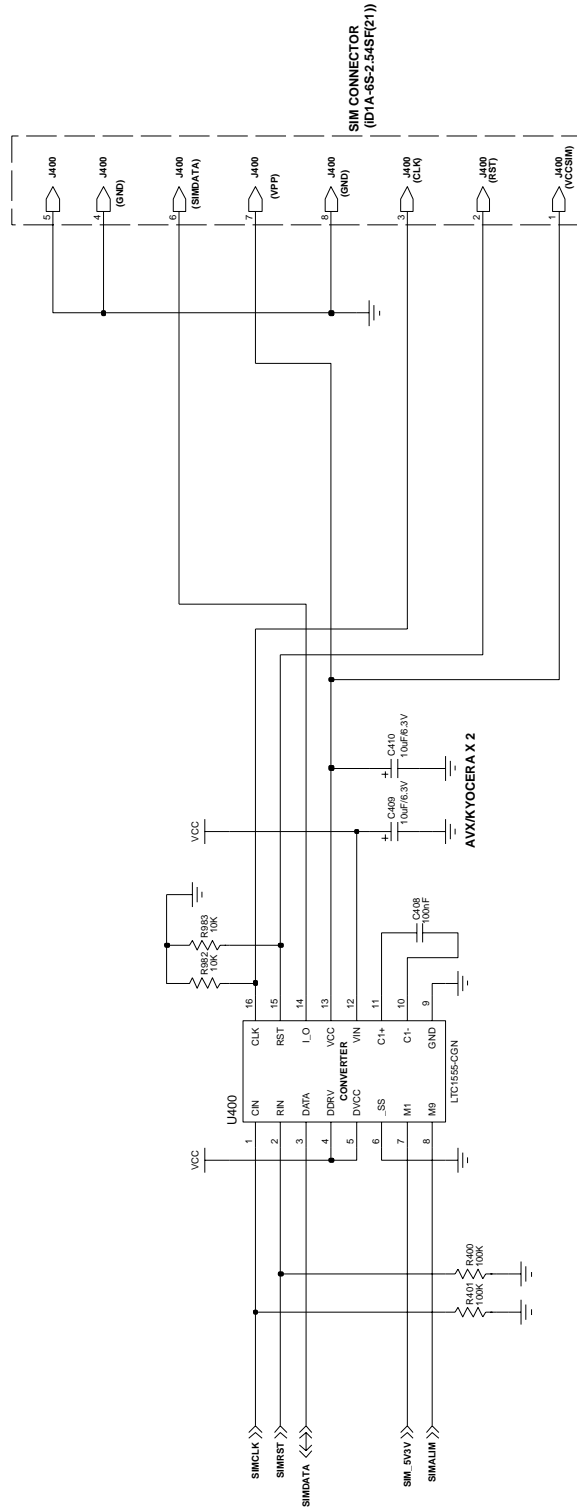


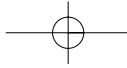
### 5-10 Baseband Filters Schematic Circuit Diagram



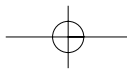
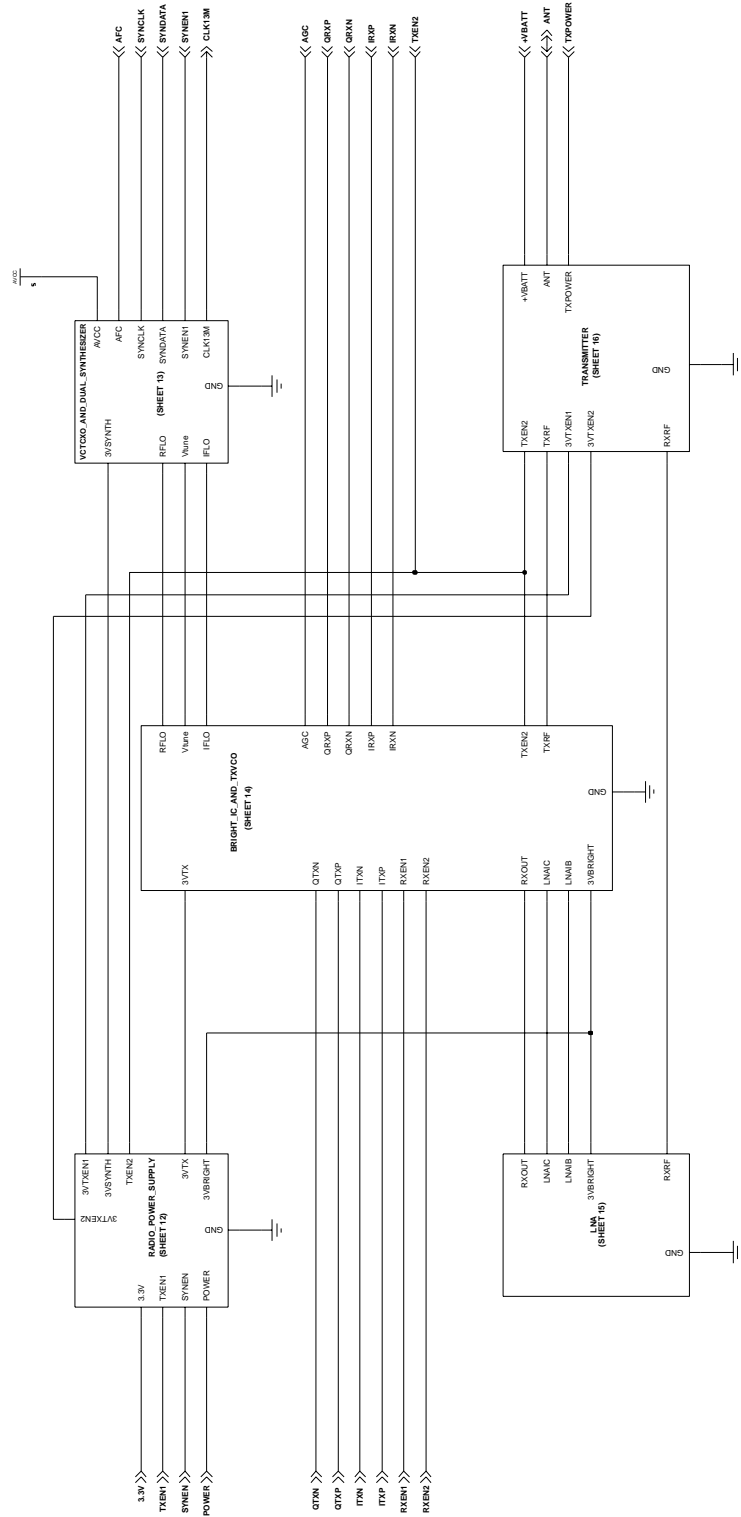


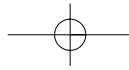
## 5-11 SIM Interface Schematic Circuit Diagram



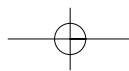
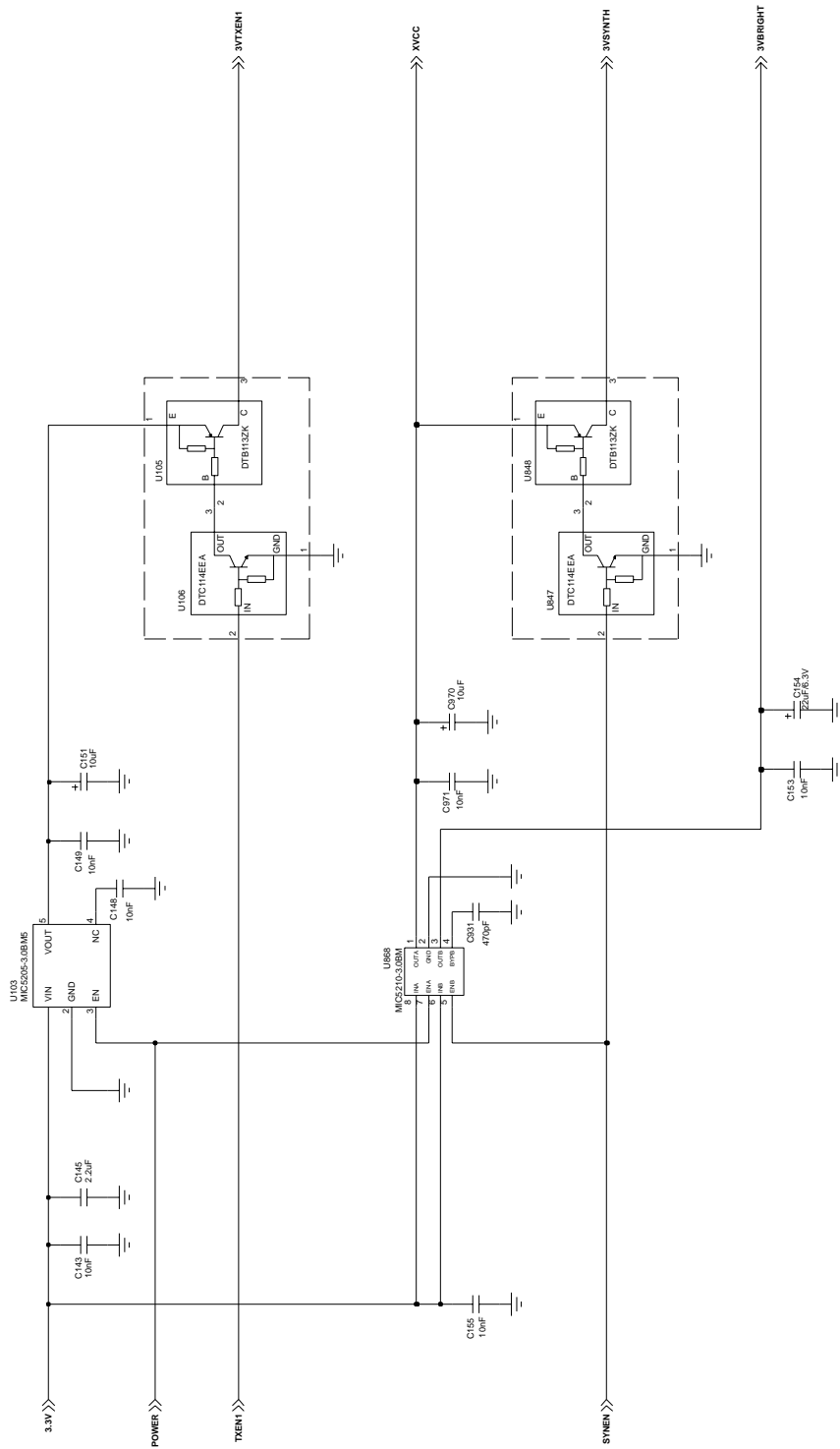


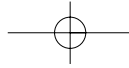
# 5-12 RF TOP Block Circuit Diagram



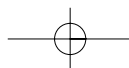
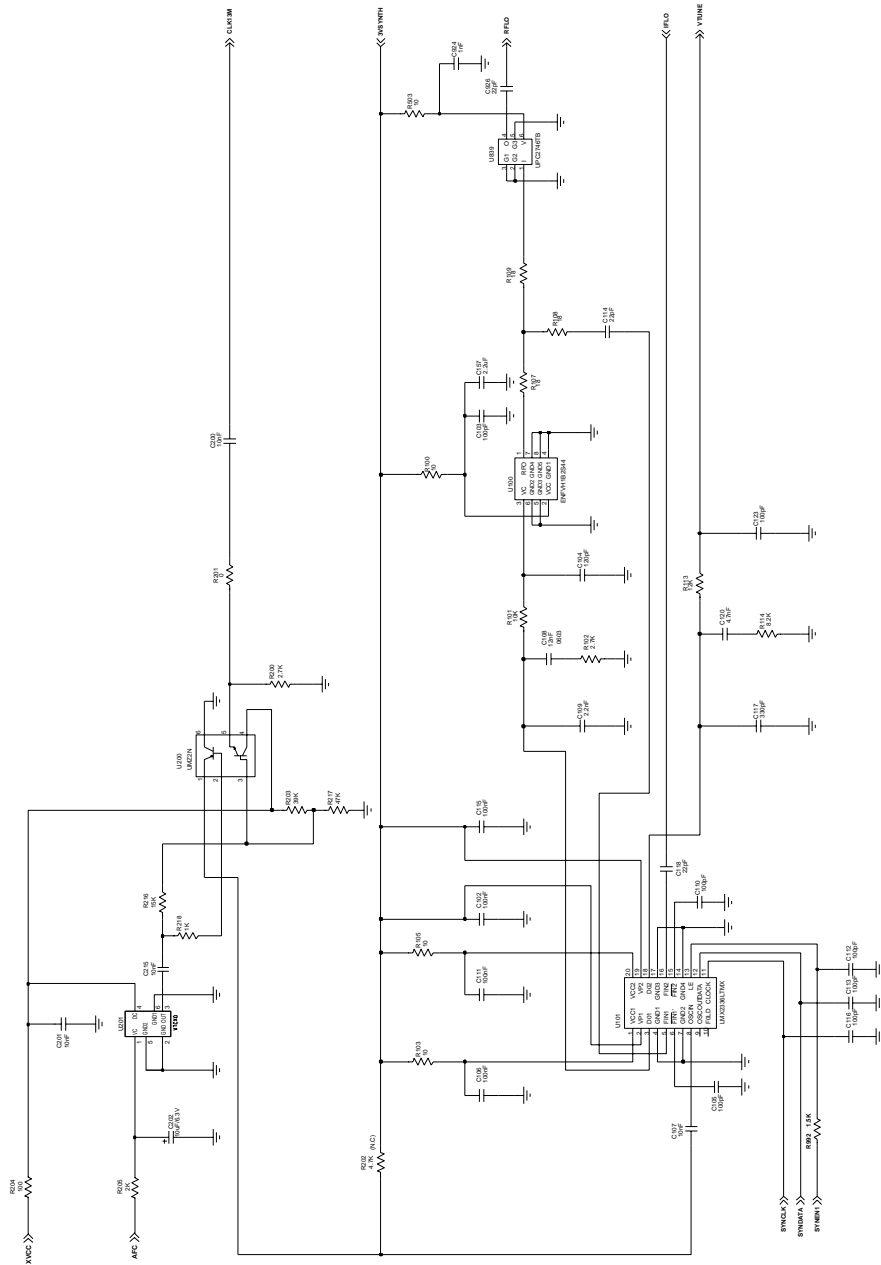


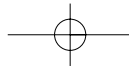
### 5-13 Radio Power Supply Circuit Diagram



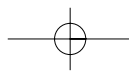
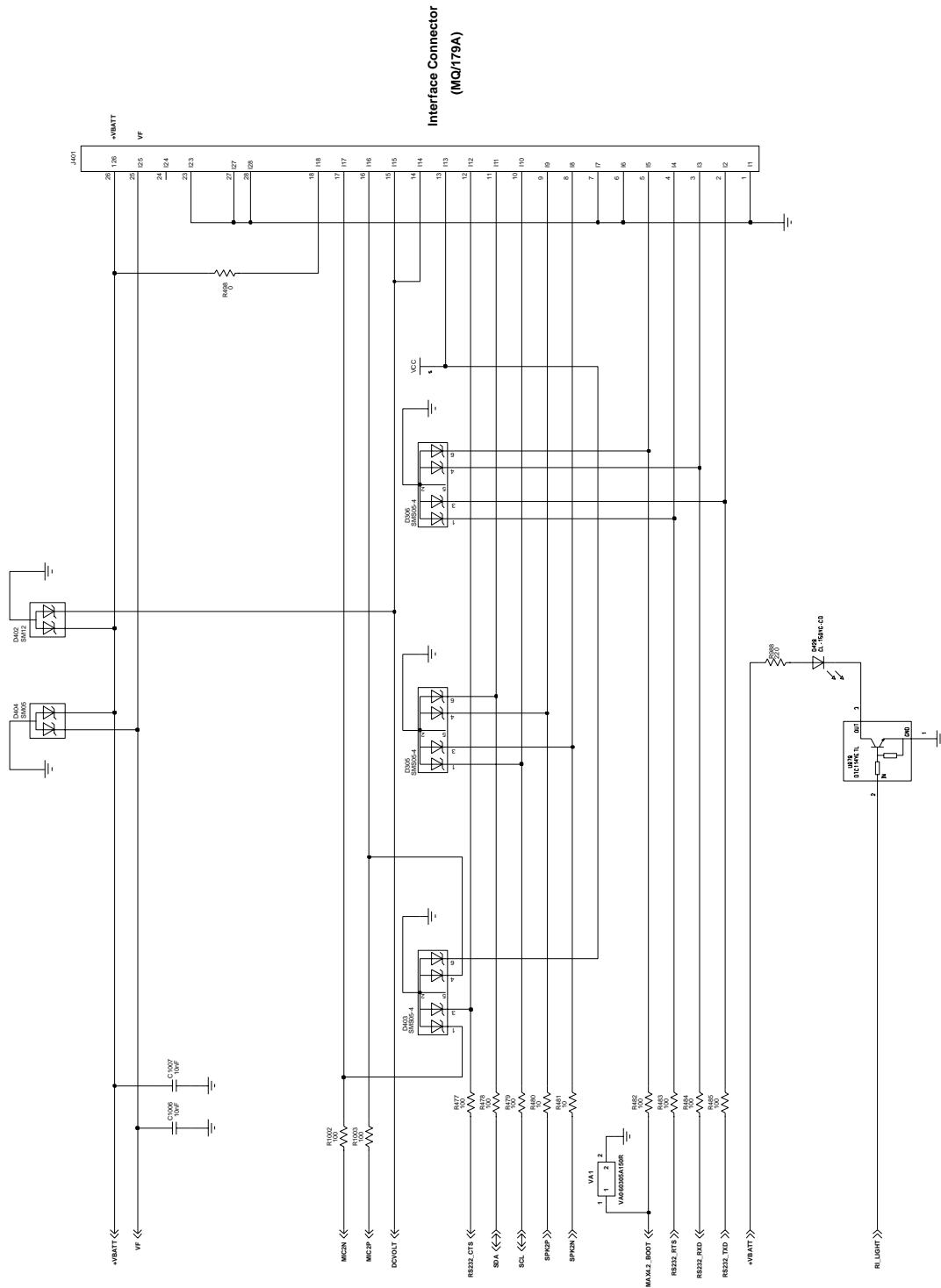


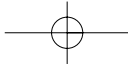
### 5-14 VCTCXO and Dual Synthesizers Circuit Diagram



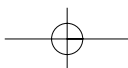
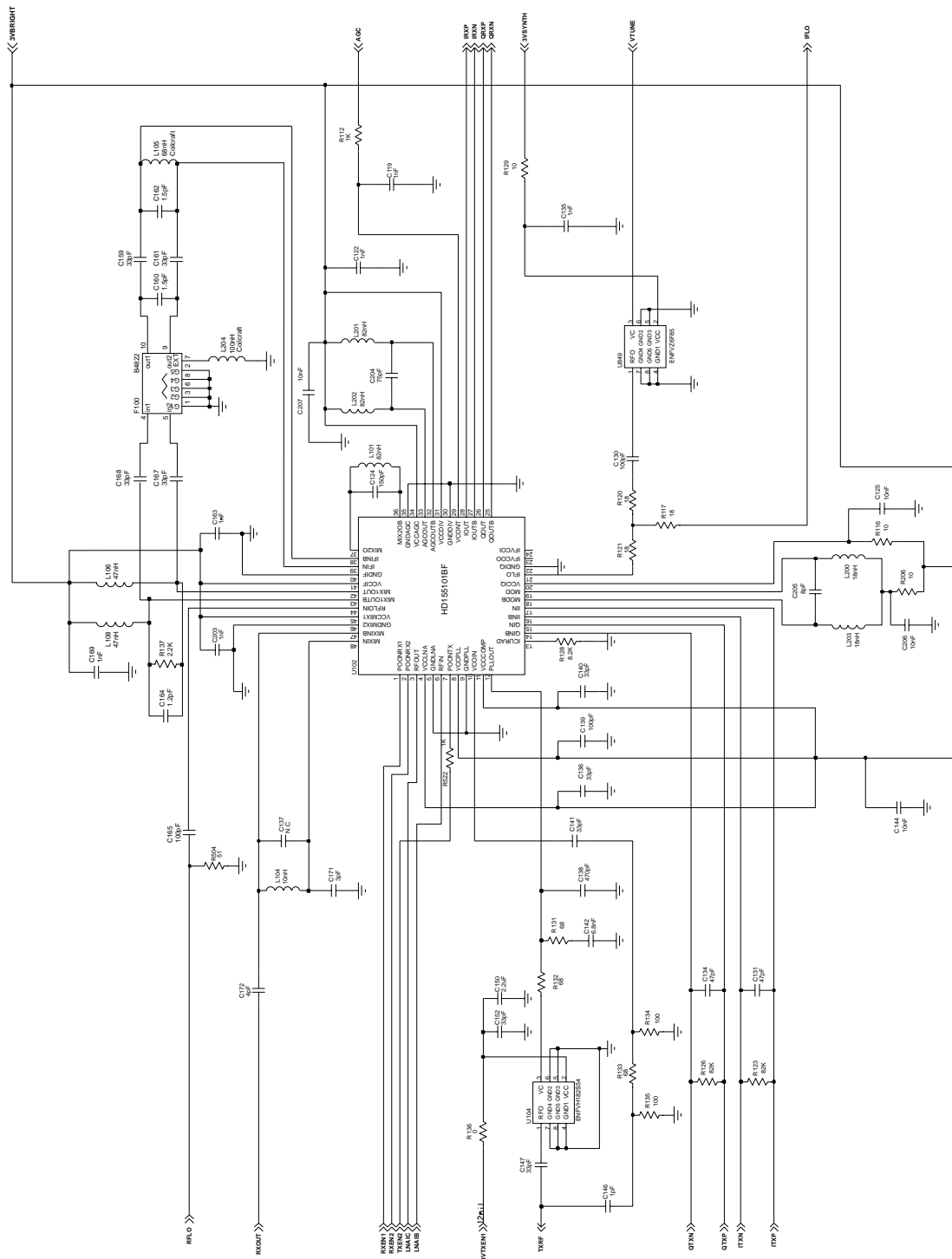


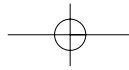
### 5-15 Interface Connector Schematic Circuit Diagram



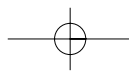
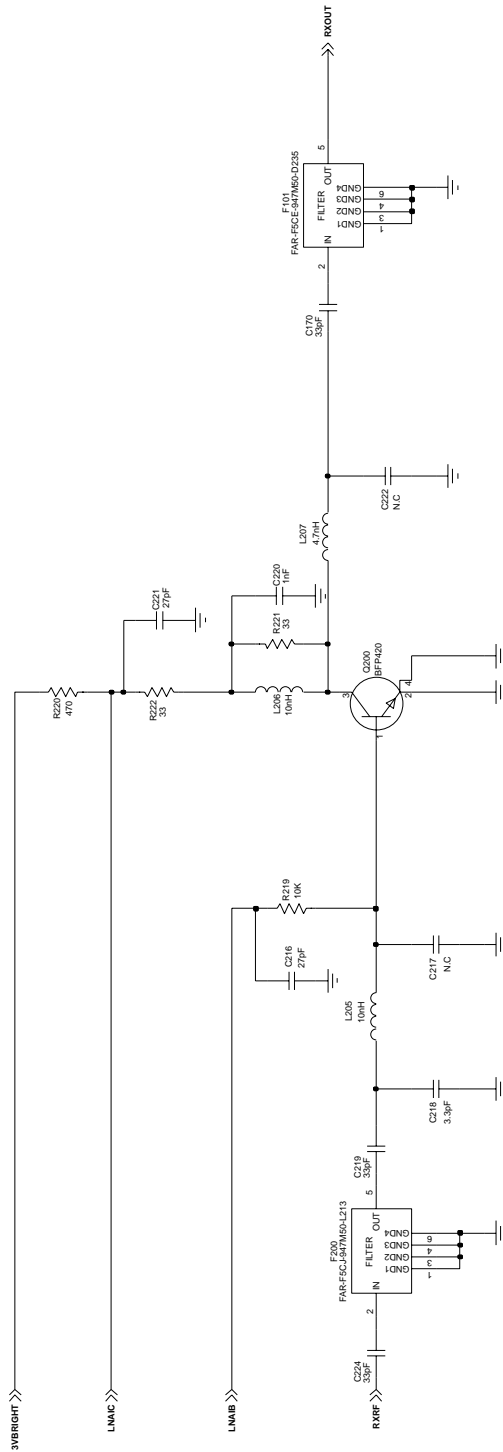


## 5-16 Bright IC and TXVCO Circuit Diagram

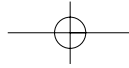




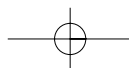
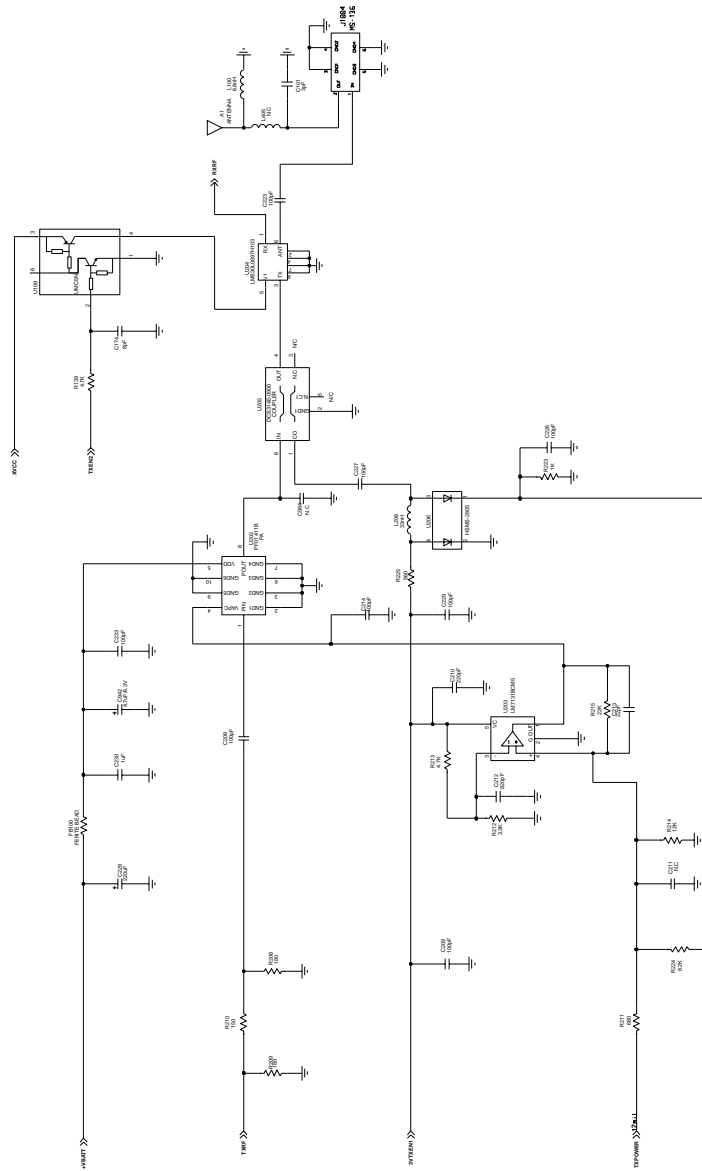
### 5-17 LNA Schematic Circuit Diagram



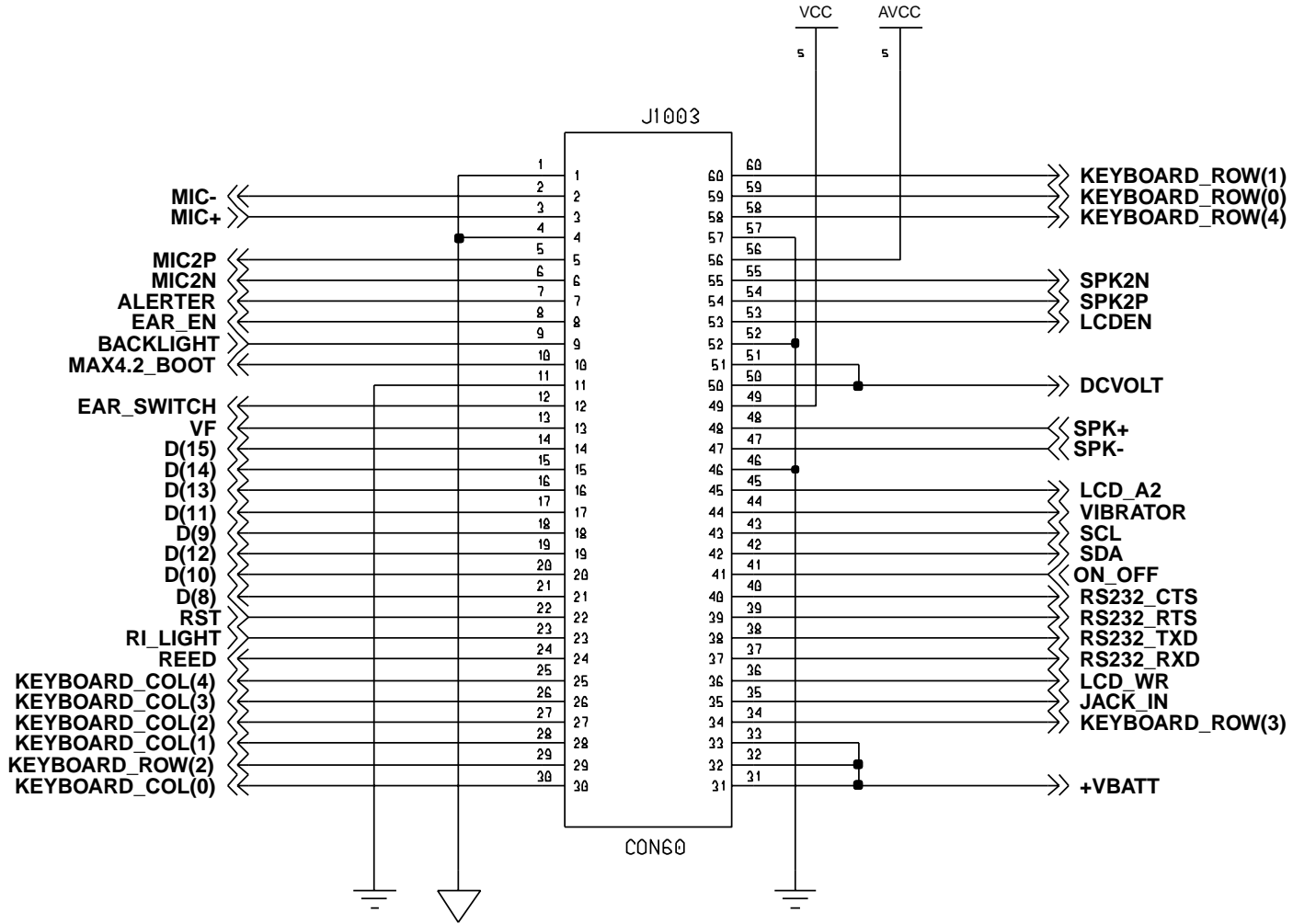


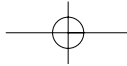


# 5-18 Transmitter Circuit Diagram



### 5-19 B'd to Connector Circuit Diagram



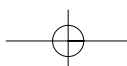


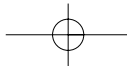
## RF Frequency Plan.

### TX Channel List

Channel NO.	Freq. Range(MHz)	Center Freq. (MHz)	VCO Freq. (MHz)	IF Freq. (MHz)	Channel NO.	Freq. Range(MHz)	Center Freq. (MHz)	VCO Freq. (MHz)	IF Freq. (MHz)
1	890.1~890.3	890.2	1160.2	270	32	896.3~896.5	896.4	1166.4	270
2	890.3~890.5	890.4	1160.4	270	33	896.5~896.7	896.6	1166.6	270
3	890.5~890.7	890.6	1160.6	270	34	896.7~896.9	896.8	1166.8	270
4	890.7~890.9	890.8	1160.8	270	35	896.9~897.1	897.0	1167.0	270
5	890.9~891.1	891.0	1161.0	270	36	897.1~897.3	897.2	1167.2	270
6	891.1~891.3	891.2	1161.2	270	37	897.3~897.5	897.4	1167.4	270
7	891.3~891.5	891.4	1161.4	270	38	897.5~897.7	897.6	1167.6	270
8	891.5~891.7	891.6	1161.6	270	39	897.7~897.9	897.8	1167.8	270
9	891.7~891.9	891.8	1161.8	270	40	897.9~898.1	898.0	1168.0	270
10	891.9~892.1	892.0	1162.0	270	41	898.1~898.3	898.2	1168.2	270
11	892.1~892.3	892.2	1162.2	270	42	898.3~898.5	898.4	1168.4	270
12	892.3~892.5	892.4	1162.4	270	43	898.5~898.7	898.6	1168.6	270
13	892.5~892.7	892.6	1162.6	270	44	898.7~898.9	898.8	1168.8	270
14	892.7~892.9	892.8	1162.8	270	45	898.9~899.1	899.0	1169.0	270
15	892.9~893.1	893.0	1163.0	270	46	899.1~899.3	899.2	1169.2	270
16	893.1~893.3	893.2	1163.2	270	47	899.3~899.5	899.4	1169.4	270
17	893.3~893.5	893.4	1163.4	270	48	899.5~899.7	899.6	1169.6	270
18	893.5~893.7	893.6	1163.6	270	49	899.7~899.9	899.8	1169.8	270
19	893.7~893.9	893.8	1163.8	270	50	899.9~900.1	900.0	1170.0	270
20	893.9~894.1	894.0	1164.0	270	51	900.1~900.3	900.2	1170.2	270
21	894.1~894.3	894.2	1164.2	270	52	900.3~900.5	900.4	1170.4	270
22	894.3~894.5	894.4	1164.4	270	53	900.5~900.7	900.6	1170.6	270
23	894.5~894.7	894.6	1164.6	270	54	900.7~900.9	900.8	1170.8	270
24	894.7~894.9	894.8	1164.8	270	55	900.9~901.1	901.0	1171.0	270
25	894.9~895.1	895.0	1165.0	270	56	901.1~901.3	901.2	1171.2	270
26	895.1~895.3	895.2	1165.2	270	57	901.3~901.5	901.4	1171.4	270
27	895.3~895.5	895.4	1165.4	270	58	901.5~901.7	901.6	1171.6	270
28	895.5~895.7	895.6	1165.6	270	59	901.7~901.9	901.8	1171.8	270
29	895.7~895.9	895.8	1165.8	270	60	901.9~902.1	902.0	1172.0	270
30	895.9~896.1	896.0	1166.0	270	61	902.1~902.3	902.2	1172.2	270
31	896.1~896.3	896.2	1166.2	270	62	902.3~902.5	902.4	1172.4	270

Channel NO.	Freq. Range(MHz)	Center Freq. (MHz)	VCO Freq. (MHz)	IF Freq. (MHz)	Channel NO.	Freq. Range(MHz)	Center Freq. (MHz)	VCO Freq. (MHz)	IF Freq. (MHz)
63	902.5~902.7	902.6	1172.6	270	94	908.7~908.9	941.4	1166.4	270
64	902.7~902.9	902.8	1172.8	270	95	908.9~909.1	909.0	1179.0	270
65	902.9~903.1	903.0	1173.0	270	96	909.1~909.3	909.2	1179.2	270
66	903.1~903.3	903.2	1173.2	270	97	909.3~909.5	909.4	1179.4	270
67	903.3~903.5	903.4	1173.4	270	98	909.5~909.7	909.6	1179.6	270
68	903.5~903.7	903.6	1173.6	270	99	909.7~909.9	909.8	1179.8	270
69	903.7~903.9	903.8	1173.8	270	100	909.9~910.1	910.0	1180.0	270
70	903.9~904.1	904.0	1174.0	270	101	910.1~910.3	910.2	1180.2	270
71	904.1~904.3	904.2	1174.2	270	102	910.3~910.5	910.4	1180.4	270
72	904.3~904.5	904.4	1174.4	270	103	910.5~910.7	910.6	1180.6	270
73	904.5~904.7	904.6	1174.6	270	104	910.7~910.9	910.8	1180.8	270
74	904.7~904.9	904.8	1174.8	270	105	910.9~911.1	911.0	1181.0	270
75	904.9~905.1	905.0	1175.0	270	106	911.1~911.3	911.2	1181.2	270
76	905.1~905.3	905.2	1175.2	270	107	911.3~911.5	911.4	1181.4	270
77	905.3~905.5	905.4	1175.4	270	108	911.5~911.7	911.6	1181.6	270
78	905.5~905.7	905.6	1175.6	270	109	911.7~911.9	911.8	1181.8	270
79	905.7~905.9	905.8	1175.8	270	110	911.9~912.1	912.0	1182.0	270
80	905.9~906.1	906.0	1176.0	270	111	912.1~912.3	912.2	1182.2	270
81	906.1~906.3	906.2	1176.2	270	112	912.3~912.5	912.4	1182.4	270
82	906.3~906.5	906.4	1176.4	270	113	912.5~912.7	912.6	1182.6	270
83	906.5~906.7	906.6	1176.6	270	114	912.7~912.9	912.8	1182.8	270
84	906.7~906.9	906.8	1176.8	270	115	912.9~913.1	913.0	1183.0	270
85	906.9~907.1	907.0	1177.0	270	116	913.1~913.3	913.2	1183.2	270
86	907.1~907.3	907.2	1177.2	270	117	913.3~913.5	913.4	1183.4	270
87	907.3~907.5	907.4	1177.4	270	118	913.5~913.7	913.6	1183.6	270
88	907.5~907.7	907.6	1177.6	270	119	913.7~913.9	913.8	1183.8	270
89	907.7~907.9	907.8	1177.8	270	120	913.9~914.1	914.0	1184.0	270
90	907.9~908.1	908.0	1178.0	270	121	914.1~914.3	914.2	1184.2	270
91	908.1~908.3	908.2	1178.2	270	122	914.3~914.5	914.4	1184.4	270
92	908.3~908.5	908.4	1178.4	270	123	914.5~914.7	914.6	1184.6	270
93	908.5~908.7	908.6	1178.6	270	124	914.7~914.9	914.8	1184.8	270

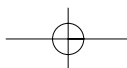


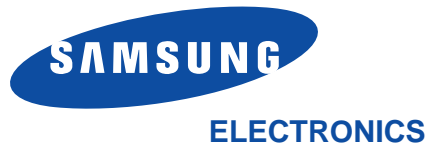
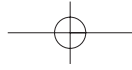


### RX Channel List

Channel NO.	Freq. Range(MHz)	Center Freq. (MHz)	VCO Freq. (MHz)	IF Freq. (MHz)	Channel NO.	Freq. Range(MHz)	Center Freq. (MHz)	VCO Freq. (MHz)	IF Freq. (MHz)
1	935.1~935.3	935.2	1160.2	225	32	941.3~941.5	941.4	1166.4	225
2	935.3~935.5	935.4	1160.4	225	33	941.5~941.7	941.6	1166.6	225
3	935.5~935.7	935.6	1160.6	225	34	941.7~941.9	941.8	1166.8	225
4	935.7~935.9	935.8	1160.8	225	35	941.9~942.1	942.0	1167.0	225
5	935.9~936.1	936.0	1161.0	225	36	942.1~942.3	942.2	1167.2	225
6	936.1~936.3	936.2	1161.2	225	37	942.3~942.5	942.4	1167.4	225
7	936.3~936.5	936.4	1161.4	225	38	942.5~942.7	942.6	1167.6	225
8	936.5~936.7	936.6	1161.6	225	39	942.7~942.9	942.8	1167.8	225
9	936.7~936.9	936.8	1161.8	225	40	942.9~943.1	943.0	1168.0	225
10	936.9~937.1	937.0	1162.0	225	41	943.1~943.3	943.2	1168.2	225
11	937.1~937.3	937.2	1162.2	225	42	943.3~943.5	943.4	1168.4	225
12	937.3~937.5	937.4	1162.4	225	43	943.5~943.7	943.6	1168.6	225
13	937.5~937.7	937.6	1162.6	225	44	943.7~943.9	943.8	1168.8	225
14	937.7~937.9	937.8	1162.8	225	45	943.9~944.1	944.0	1169.0	225
15	937.9~938.1	938.0	1163.0	225	46	944.1~944.3	944.2	1169.2	225
16	938.1~938.3	938.2	1163.2	225	47	944.3~944.5	944.4	1169.4	225
17	938.3~938.5	938.4	1163.4	225	48	944.5~944.7	944.6	1169.6	225
18	938.5~938.7	938.6	1163.6	225	49	944.7~944.9	944.8	1169.8	225
19	938.7~938.9	938.8	1163.8	225	50	944.9~945.1	945.0	1170.0	225
20	938.9~939.1	939.0	1164.0	225	51	945.1~945.3	945.2	1170.2	225
21	939.1~939.3	939.2	1164.2	225	52	945.3~945.5	945.4	1170.4	225
22	939.3~939.5	939.4	1164.4	225	53	945.5~945.7	945.6	1170.6	225
23	939.5~939.7	939.6	1164.6	225	54	945.7~945.9	945.8	1170.8	225
24	939.7~939.9	939.8	1164.8	225	55	945.9~946.1	946.0	1171.0	225
25	939.9~940.1	940.0	1165.0	225	56	946.1~946.3	946.2	1171.2	225
26	940.1~940.3	940.2	1165.2	225	57	946.3~946.5	946.4	1171.4	225
27	940.3~940.5	940.4	1165.4	225	58	946.5~946.7	946.6	1171.6	225
28	940.5~940.7	940.6	1165.6	225	59	946.7~946.9	946.8	1171.8	225
29	940.7~940.9	940.8	1165.8	225	60	946.9~947.1	947.0	1172.0	225
30	940.9~941.1	941.0	1166.0	225	61	947.1~947.3	947.2	1172.2	225
31	941.1~941.3	941.2	1166.2	225	62	947.3~947.5	947.4	1172.4	225

Channel NO.	Freq. Range(MHz)	Center Freq. (MHz)	VCO Freq. (MHz)	IF Freq. (MHz)	Channel NO.	Freq. Range(MHz)	Center Freq. (MHz)	VCO Freq. (MHz)	IF Freq. (MHz)
63	947.4~947.7	947.6	1172.6	225	94	953.7~953.9	941.4	1166.4	225
64	947.7~947.9	947.8	1172.8	225	95	953.9~954.1	954.0	1179.0	225
65	947.9~948.1	948.0	1173.0	225	96	954.1~954.3	954.2	1179.2	225
66	948.1~948.3	948.2	1173.2	225	97	954.3~954.5	954.4	1179.4	225
67	948.3~948.5	948.4	1173.4	225	98	954.5~954.7	954.6	1179.6	225
68	948.5~948.7	948.6	1173.6	225	99	954.7~954.9	954.8	1179.8	225
69	948.7~948.9	948.8	1173.8	225	100	954.9~955.1	955.0	1180.0	225
70	948.9~949.1	949.0	1174.0	225	101	955.1~955.3	955.2	1180.2	225
71	949.1~949.3	949.2	1174.2	225	102	955.3~955.5	955.4	1180.4	225
72	949.3~949.5	949.4	1174.4	225	103	955.5~955.7	955.6	1180.6	225
73	949.5~949.7	949.6	1174.6	225	104	955.7~955.9	955.8	1180.8	225
74	949.7~949.9	949.8	1174.8	225	105	955.9~956.1	956.0	1181.0	225
75	949.9~950.1	950.0	1175.0	225	106	956.1~956.3	956.2	1181.2	225
76	950.1~950.3	950.2	1175.2	225	107	956.3~956.5	956.4	1181.4	225
77	950.3~950.5	950.4	1175.4	225	108	956.5~956.7	956.6	1181.6	225
78	950.5~950.7	950.6	1175.6	225	109	956.7~956.9	956.8	1181.8	225
79	950.7~950.9	950.8	1175.8	225	110	956.9~957.1	957.0	1182.0	225
80	950.9~951.1	951.0	1176.0	225	111	957.1~957.3	957.2	1182.2	225
81	951.1~951.3	951.2	1176.2	225	112	957.3~957.5	957.4	1182.4	225
82	951.3~951.5	951.4	1176.4	225	113	957.5~957.7	957.6	1182.6	225
83	951.5~951.7	951.6	1176.6	225	114	957.7~957.9	957.8	1182.8	225
84	951.7~951.9	951.8	1176.8	225	115	957.9~958.1	958.0	1183.0	225
85	951.9~952.1	952.0	1177.0	225	116	958.1~958.3	958.2	1183.2	225
86	952.1~952.3	952.2	1177.2	225	117	958.3~958.5	958.4	1183.4	225
87	952.3~952.5	952.4	1177.4	225	118	958.5~958.7	958.6	1183.6	225
88	952.5~952.7	952.6	1177.6	225	119	958.7~958.9	958.8	1183.8	225
89	952.7~952.9	952.8	1177.8	225	120	958.9~959.1	959.0	1184.0	225
90	952.9~953.1	953.0	1178.0	225	121	959.1~959.3	959.2	1184.2	225
91	953.1~953.3	953.2	1178.2	225	122	959.3~959.5	959.4	1184.4	225
92	953.3~953.5	953.4	1178.4	225	123	959.5~959.7	959.6	1184.6	225
93	953.5~953.7	953.6	1178.6	225	124	959.7~959.9	959.8	1184.8	225





Samsung Electronics Co.,Ltd.  
Printed in Korea  
05/1999 Rev 1.0  
GH68-00684A

