

Sheet5D61D43A

file5D61D43A.sch

Sheet: /
File: 7075_PSU.sch

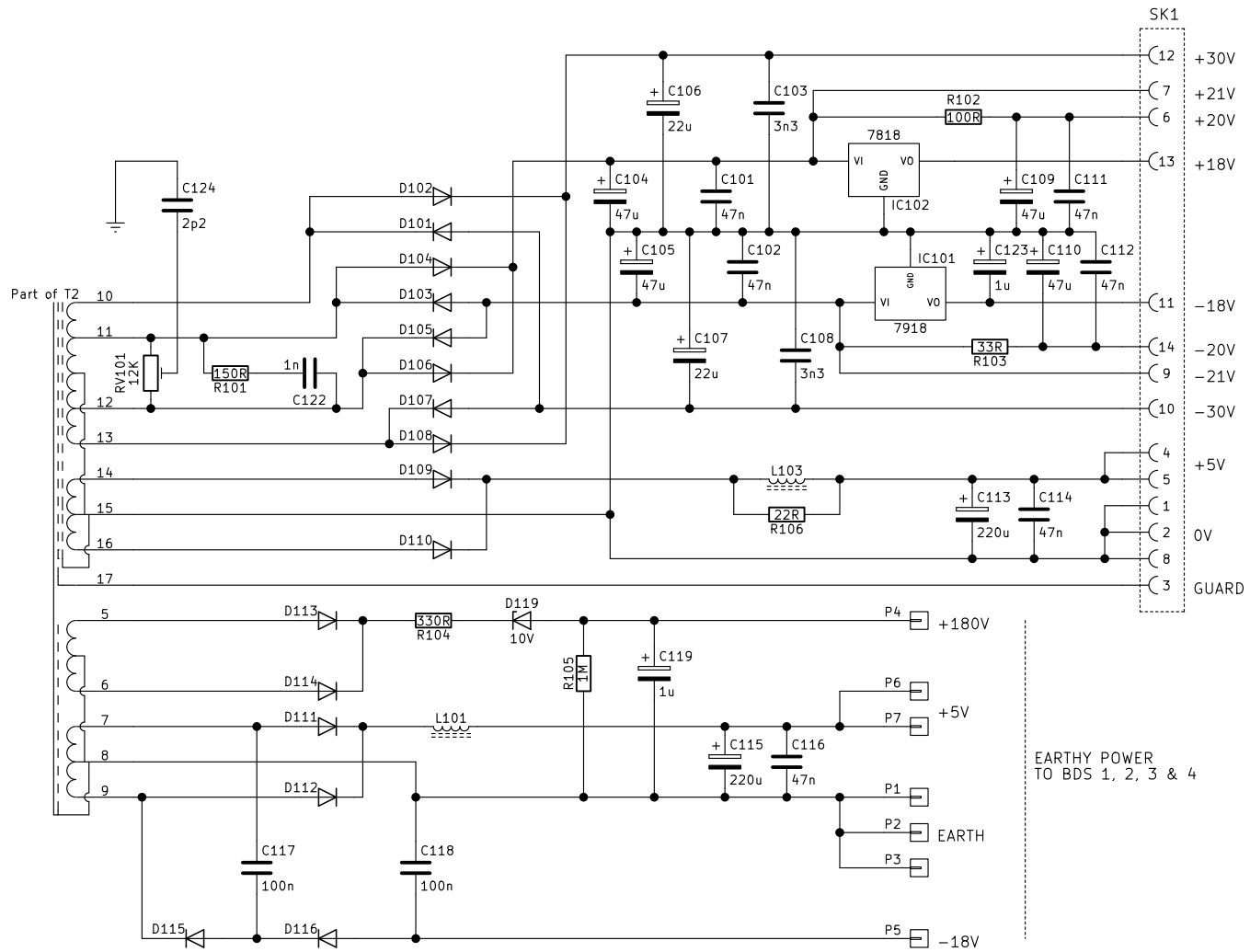
Title: Power Supply Diag. 6.12 pcb 7 (sheet 1)

Size: A4 Date: 2019-08-18

KiCad E.D.A. kicad 4.0.5+dfsg1-4

Rev: 1

Id: 1/2



FLOATING POWER
TO BDS 5 & 6

EARTHY POWER
TO BDS 1, 2, 3 & 4

Sheet: /Sheet5D61D43A/		
File: file5D61D43A.sch		
Title: Rectification Diag. 6.13 pcb 7 (Sheet 2)		
Size: A4	Date: 2019-08-19	Rev: 1
KiCad E.D.A. kicad 4.0.5+dfsg1-4		Id: 2/2