



# Instrument Panel Side Cover Adjustment

<b>Classification</b>	Repair Bulletin	<b>Section/Group</b>	14 - Instrument Panel & Pedals	<b>Country/Region</b>	North America
-----------------------	-----------------	----------------------	--------------------------------	-----------------------	---------------

<b>Year</b>	2012-2013	<b>Model</b>	Model S	<b>Version</b>	All
-------------	-----------	--------------	---------	----------------	-----

**Bulletin Classification:** *This repair bulletin provides instructions and guidelines for a noted condition or a customer concern. The information provided can address a broad range of known or perceived issues with the operation of Tesla vehicles. This bulletin might not be VIN-specific. These instructions assume knowledge of motor vehicle and high voltage electricity repairs, and should only be executed by trained professionals. Tesla Motors assumes no liability for injury or property damage due to a failure to properly follow these instructions or repairs attempted by unqualified individuals.*

*This Service Bulletin supersedes SB-12-14-002, dated 24-Oct-12. Each content change is marked by a vertical line in the left margin. Discard the previous version and replace it with this one.*

## Condition

Some vehicles could have an excessive gap between the instrument panel side covers and the adjacent finisher panels.

## Correction

Upon customer complaint, modify the clip towers to allow the instrument panel side covers to sit closer to the rest of the dash.

Correction Description	Correction	Time
Vehicle Inspection Only; Instrument Side Panel Adjustment Not Required	S011214002	0.1
Adjust 1 Instrument Side Panel	S021214002	0.3
Adjust 2 Instrument Side Panels	S031214002	0.5

## Procedure

1. Check the fit of the left instrument side panel (Figures 1 and 2). If the instrument panel fits properly, discontinue this procedure; no more work is required. If the instrument panel has an excessive gap, continue with this procedure.

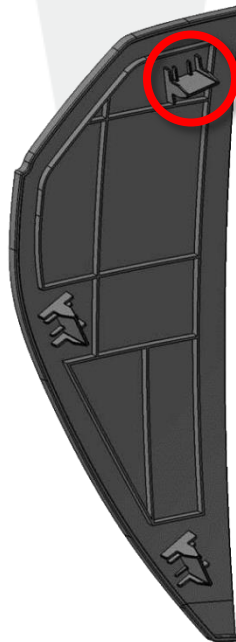


✓ **Figure 1 (Proper fit)**



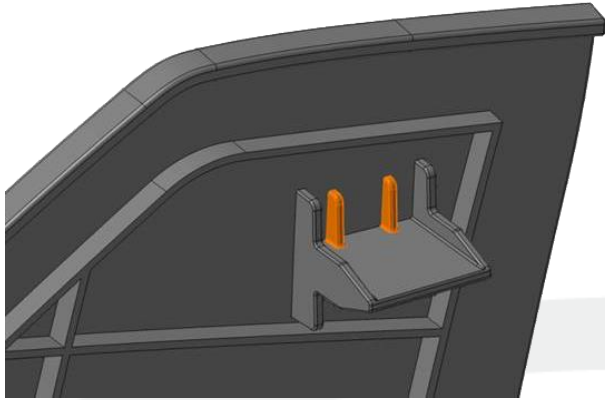
✗ **Figure 2 (Excessive gap)**

2. Place a clean fender cover, towel, or other soft material on a workbench to protect the outer surface of the instrument side panel while it is being repaired.
3. Remove the instrument side panel (refer to Service Manual procedure 14054102).
4. Place the instrument side panel on the protective surface so that the clips are facing up.
5. Remove the uppermost clip from the back of the panel (Figure 3).

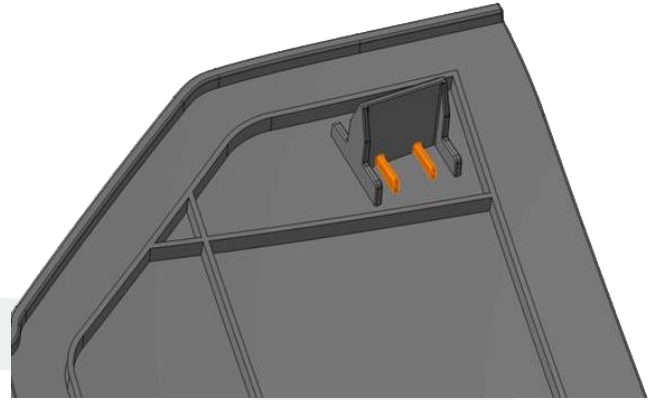


**Figure 3**

6. Grind down the positioning fingers on each side of the clip tower (Figures 4 and 5).



**Figure 4**

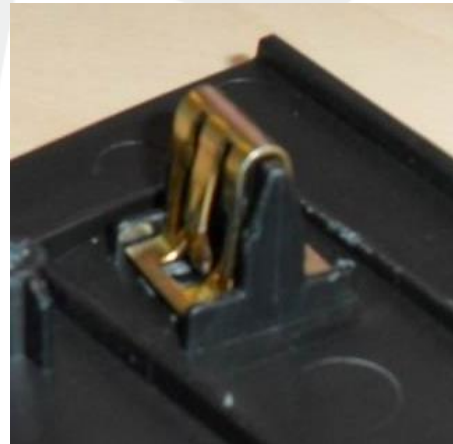


**Figure 5**

7. Reinstall the clip. The clip will now sit lower on the tower (Figures 6 and 7).



**Figure 6 (Before)**



**Figure 7 (After)**

8. Reinstall the instrument panel side cover and check its positioning.
9. Occasionally, the middle clip tower of the instrument panel side cover might need to be adjusted as well. If there is still a gap between the instrument panel side cover and the adjacent finisher panel, repeat the process on the middle clip tower.
10. Repeat the process on the right side instrument panel side cover, if necessary.

---

**Affected VIN(s)** Affected Model S vehicles built before approximately March 31, 2013.

**NOTE:** This is a simplified summary of the affected VIN list. Refer to the VIN/Bulletin Tracker or Customer/Vehicle profile to determine applicability of this bulletin for a particular vehicle.

For feedback on the accuracy of this document, email [ServiceBulletinFeedback@teslamotors.com](mailto:ServiceBulletinFeedback@teslamotors.com).