



Replace Steering Column Control Module Connector Retaining Clip

Classification	Campaign Bulletin	Section/Group	32 - Steering	Country/Region	United States, Canada
Year	2017 - 2018	Model	Model 3	Version	All

Bulletin Classification: *This campaign bulletin addresses a known non-safety-related condition and provides recommended technical diagnosis and repair procedures. Apply this procedure to all vehicles in the affected VIN range listed. These instructions assume knowledge of motor vehicle and high voltage electrical component repairs, and should only be executed by trained professionals. Tesla assumes no liability for injury or property damage due to a failure to properly follow these instructions or repairs attempted by unqualified individuals.*

Condition

On some Model 3 vehicles, the steering column control module connector retaining clip may have been reused following repairs. This clip is one-time-use.

Correction

Replace the steering column control module connector retaining clip with a new clip.

Correction Description	Correction	Time
SB-18-32-005 Not Applicable	S011832005	0.00
Replace Steering Column Control Module Connector Retaining Clip	S021832005	0.25

Required Part(s):	Part Number	Description	Quantity
	1028053-00-A	AIRBAG HARNESS RETAINING CLIP	1

These part numbers were current at the time of publication. Use the revisions listed or later, unless otherwise specified in the Parts Manual.

Procedure

1. Remove the 2nd row lower seat cushion (refer to Service Manual procedure 13051002).
2. Remove the rear underhood apron (refer to Service Manual procedure 12251102).
3. Disconnect 12V power (refer to Service Manual procedure 17010200).
4. Remove the driver airbag (refer to Service Manual procedure 20010102).
5. Remove the steering wheel (refer to Service Manual procedure 32051801).
6. Release the clips that attach the steering column upper shroud to the lower shroud, and then pull upward to remove the upper shroud (Figure 1).

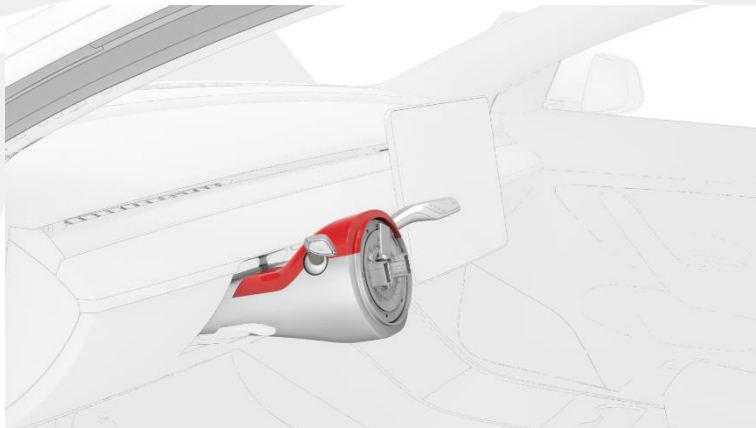


Figure 1

7. Remove the upper screws that attach the steering column lower shroud to the steering column (Figure 2).

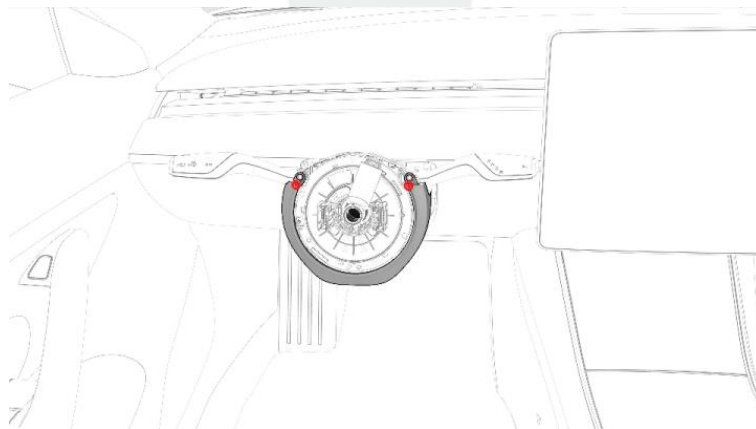


Figure 2

8. Remove the lower screw that attaches the steering column lower shroud to the steering column, and then remove the lower shroud from the vehicle (Figure 3).

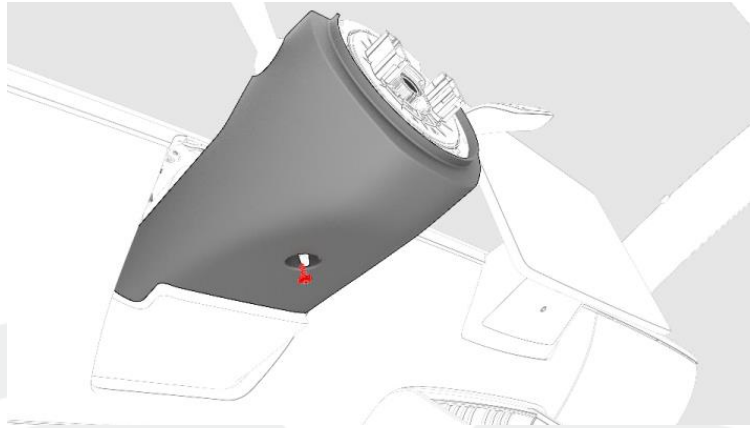


Figure 3

9. Remove and discard the retaining clip from the steering column control module electrical connector (Figure 4), and then disconnect the connector (Figure 5).

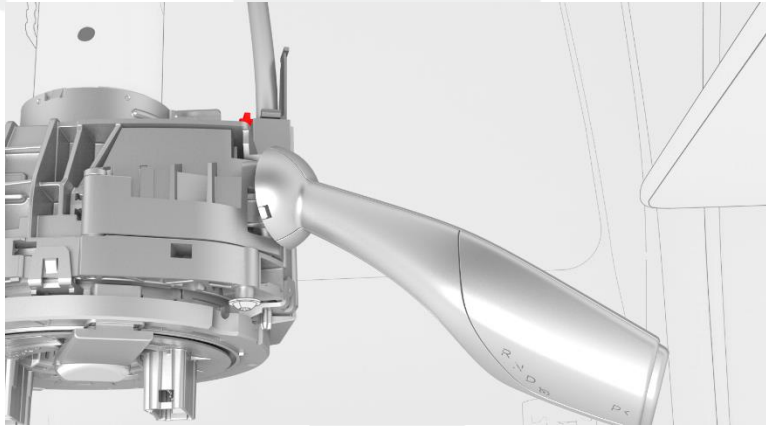


Figure 4

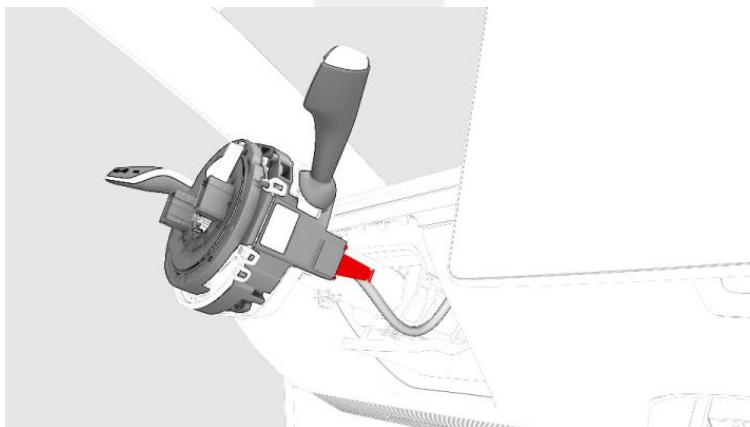


Figure 5

10. Remove any fragments of the steering column control module connector clip from the connector, and then install a new clip on the connector (Figure 6).

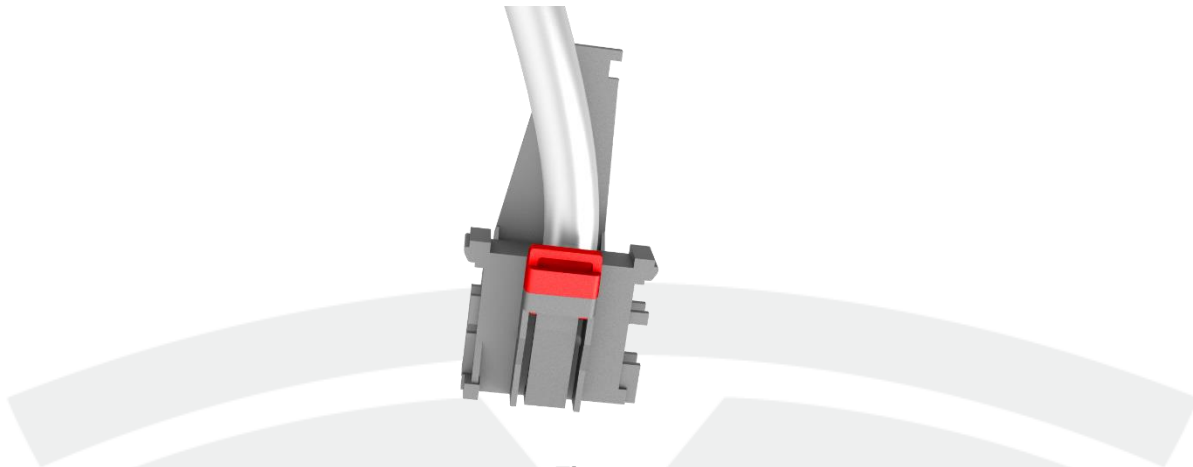


Figure 6

11. Connect the steering column control module connector to the steering column control module (Figure 7).

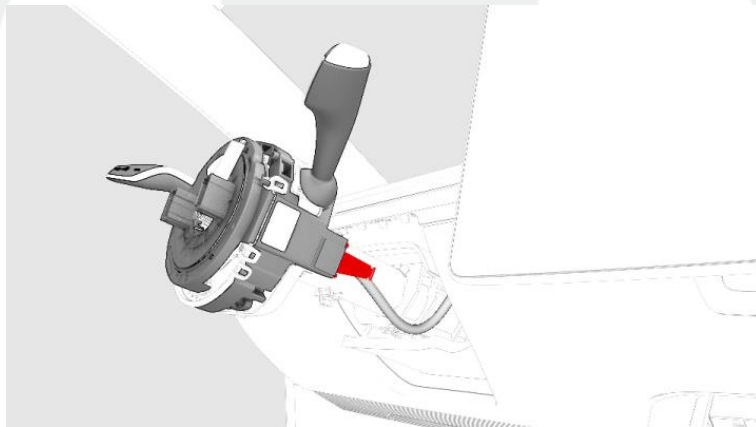


Figure 7

12. Position the steering column lower shroud on the steering column, and then install the lower screw that attaches the steering column lower shroud to the steering column (torque 1.5 Nm) (Figure 8).

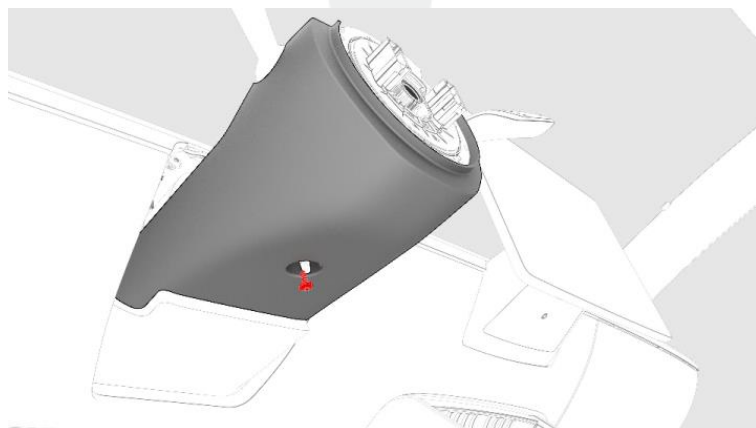


Figure 8

13. Install the upper screws that attach the steering column lower shroud to the steering column (torque 1.5 Nm) (Figure 9).

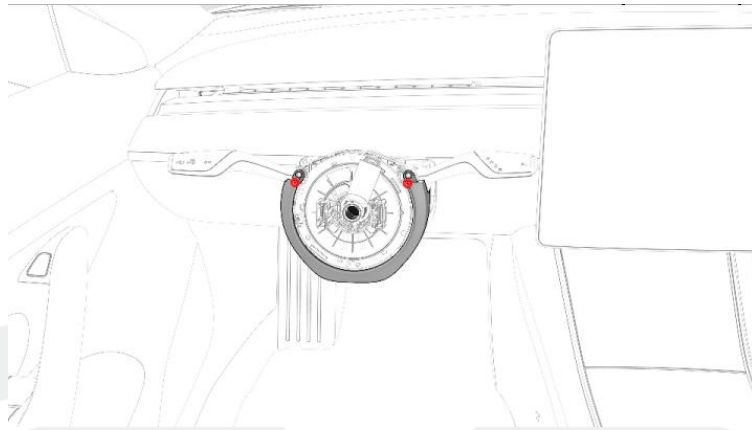


Figure 9

14. Install the clips that attach the steering column upper shroud to the lower shroud, and then press downward to install the upper shroud (Figure 10).

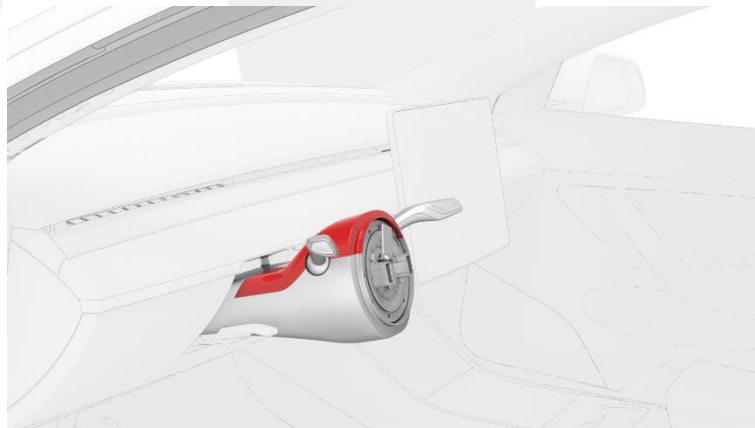


Figure 10

15. Install the steering wheel (refer to Service Manual procedure 32051801).
16. Install the driver airbag (refer to Service Manual procedure 20010102).
17. Connect 12V power (refer to Service Manual procedure 17010200).
18. Install the rear underhood apron (refer to Service Manual procedure 12251102).
19. Install the 2nd row lower seat cushion (refer to Service Manual procedure 13051002).

Affected VIN(s) Affected Model 3 vehicles built between approximately July 1, 2017 and July 1, 2018.

NOTE: This is a simplified summary of the affected VIN list. Refer to the VIN/Bulletin Tracker or Customer/Vehicle profile to determine applicability of this bulletin for a particular vehicle.

For feedback on the accuracy of this document, email ServiceBulletinFeedback@tesla.com.