

WHS302

Heatsink Accessory for the PDIP14 Package



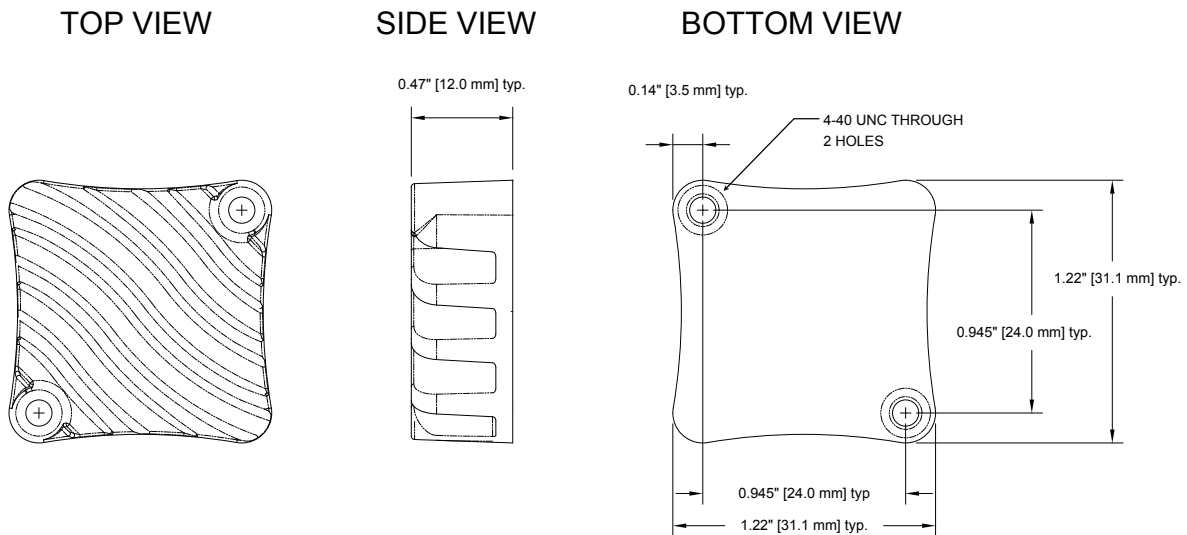
GENERAL DESCRIPTION:

The WHS302 is a high performance heatsink specifically designed to fit the PDIP14 style packages and is less than a half inch tall.

The heatsink will allow products enclosed in the PDIP14 package to operate at much higher power.

The fin configuration of the heatsink allows the unit to be mounted in almost any position without effecting heat dissipation. An optional fan (WXC303 or WXC304) may be installed on the heatsink for additional cooling.

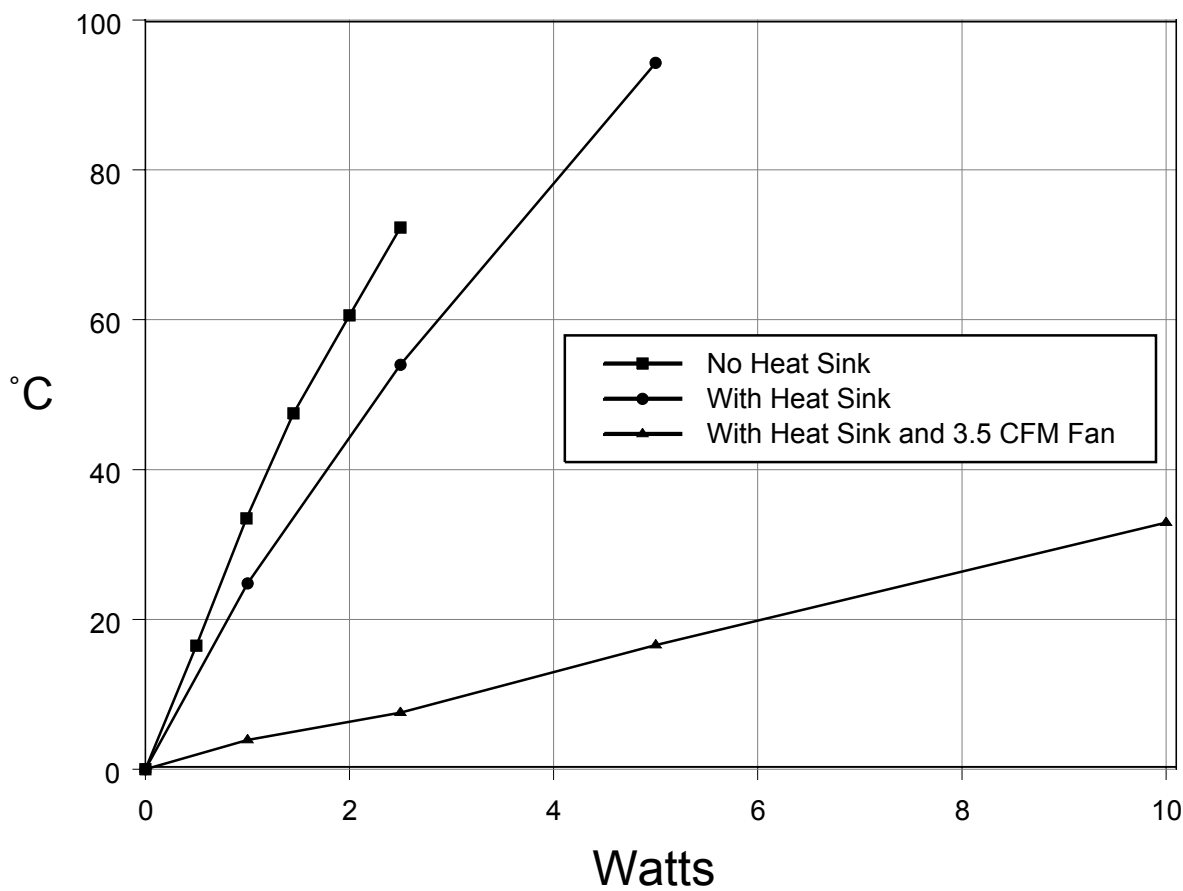
Figure 1
Package Details



THERMAL PERFORMANCE

PARAMETER	TEST CONDITIONS	MIN	TYP	MAX	UNITS
THERMAL					
Heatspreader Temperature Rise	T _{AMBIENT} =25°C	28	30	33	°C/W
Heatspreader Temperature Rise	With WHS302 Heatsink, WTW002 Thermal Washer	18	21.5	25	°C/W
Heatspreader Temperature Rise	With WHS302 Heatsink, WTW002 Thermal Washer, and 3.5 CFM Fan	3.1	3.4	3.9	°C/W

Case Temperature Increase

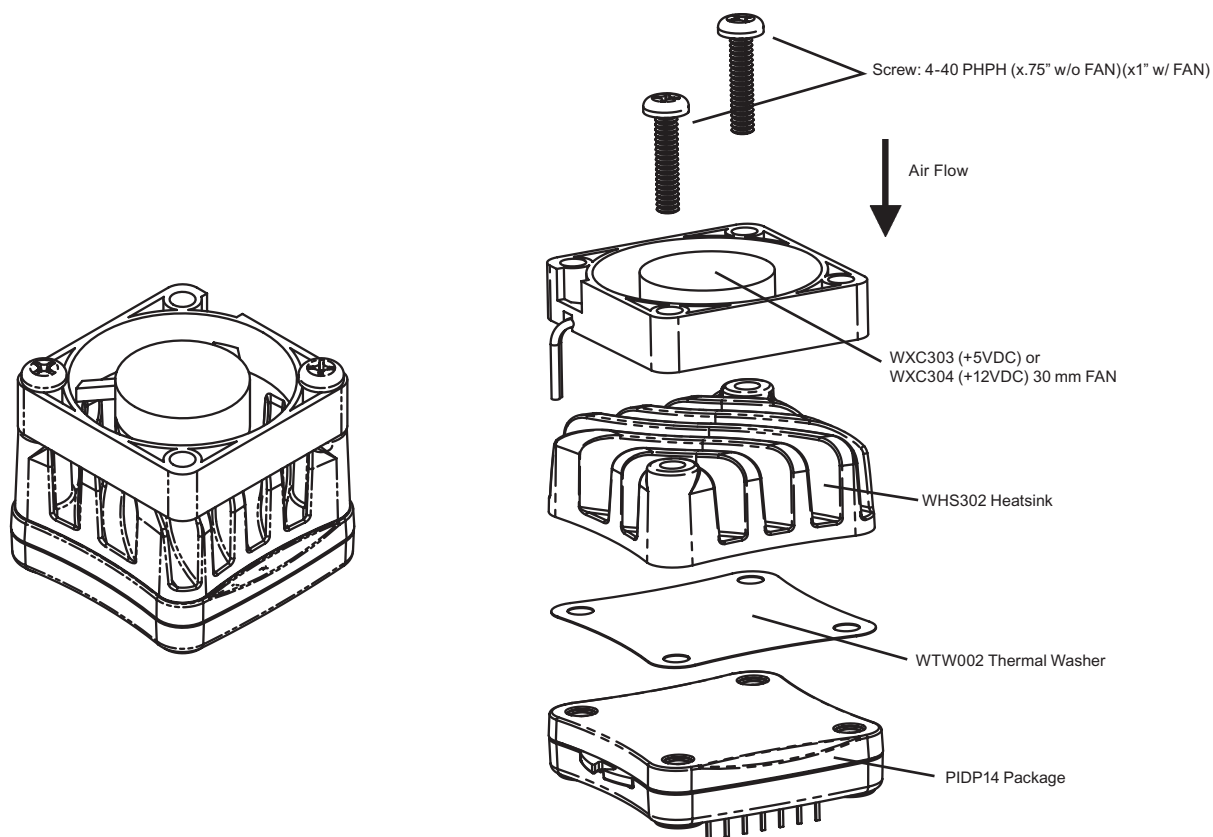


COMPOSITE ASSEMBLY

Instruction Steps

1. Clean All Surfaces where the WTW002 Thermal Washer will contact.
2. Apply the WTW002 Thermal Washer (adhesive side) to the WHS302 Heat sink surface, aligning the thermal washer holes with the heatsink holes.
3. Secure the WHS302 Heatsink and the WXC303 or the WXC304 Fan (if fan is used) to PDIP14 Package with two screws.

COMPOSITE ASSEMBLY



CERTIFICATION AND WARRANTY

CERTIFICATION:

Wavelength Electronics (WEI) certifies that this product met its published specifications at the time of shipment. Wavelength further certifies that its calibration measurements are traceable to the United States National Institute of Standard and Technology, to the extent allowed by that organization's calibration facilities, and to the calibration facilities of other International Standards Organization members.

WARRANTY:

This Wavelength product is warranted against defects in materials and workmanship for a period of one year from date of shipment. During the warranty period, Wavelength, will, at its option, either repair or replace products which prove to be defective.

WARRANTY SERVICE:

For warranty service or repair, this product must be returned to the factory. For products returned to Wavelength for warranty service, the Buyer shall prepay shipping charges to Wavelength and Wavelength shall pay shipping charges to return the product to the Buyer. However, the Buyer shall pay all shipping charges, duties, and taxes for products returned to Wavelength from another country.

LIMITATIONS OF WARRANTY:

The warranty shall not apply to defects resulting from improper use or misuse of the instrument outside published specifications.

No other warranty is expressed or implied. Wavelength specifically disclaims the implied warranties of merchantability and fitness for a particular purpose.

EXCLUSIVE REMEDIES:

The remedies provided herein are the Buyer's sole and exclusive remedies. Wavelength shall not be liable for any direct, indirect, special, incidental, or consequential damages, whether based on contract, tort, or any other legal theory.

NOTICE:

The information contained in this document is subject to change without notice. Wavelength will not be liable for errors contained herein or for incidental or consequential damages in connection with the furnishing, performance, or use of this material. No part of this document may be photocopied, reproduced, or translated to another language without the prior written consent of Wavelength.

SAFETY:

There are no user serviceability parts inside this product. Return the product to Wavelength Electronics for service and repair to assure that safety features are maintained.

LIFE SUPPORT POLICY:

As a general policy, Wavelength Electronics, Inc. does not recommend the use of any of its products in life support applications where the failure or malfunction of the Wavelength Electronics, Inc. product can be reasonably expected to cause failure of the life support device or to significantly affect its safety or effectiveness. Wavelength Electronics, Inc. will not knowingly sell its products for use in such applications unless it receives written assurances satisfactory to Wavelength Electronics, Inc. that the risks of injury or damage have been minimized, the customer assumes all such risks, and there is no product liability for Wavelength Electronics, Inc. Examples or devices considered to be life support devices are neonatal oxygen analyzers, nerve stimulators (for any use), auto transfusion devices, blood pumps, defibrillators, arrhythmia detectors and alarms, pacemakers, hemodialysis systems, peritoneal dialysis systems, ventilators of all types, and infusion pumps as well as other devices designated as "critical" by the FDA. The above are representative examples only and are not intended to be conclusive or exclusive of any other life support device.

WAVELENGTH ELECTRONICS

WAVELENGTH ELECTRONICS, INC.
51 Evergreen Drive
Bozeman, Montana, 59715

phone : (406) 587-4910 Sales and Technical Support
 : (406) 587-4183 Accounting
fax : (406) 587-4911
e-mail : sales@teamwavelength.com
web : www.wavelengthelectronics.com