



DX5401-B0/EX5401-B0 Series

Dual-Band Wireless AX6000 Gigabit VDSL2/Ethernet IAD

The Zyxel DX5401-B/EX5401-B0 Wireless AX6000 Gigabit VDSL2/Ethernet IAD Series supports the latest dual-band wireless WiFi 6 (11ax) technology and Zyxel MPro Mesh® Solutions. This Series can be deployed in the existing copper or fiber network to upgrade your customers with premium WiFi service on all their devices - anywhere in their home.

Benefits

WiFi 6 technology for superior lag-free performance

The Series offers speeds of up to 4804 Mbps* with 4x4 802.11ax and 1148 Mbps* with 4x4 802.11ac. The uplink MU-MIMO, Orthogonal Frequency Division Multiple Access (OFDMA) and beamforming technologies empower the Series to deliver premium speed for multi-streaming data access and optimal WiFi experience without dead zones.

SFP for multiple WAN options

With a built-in SFP cage module for GPON (P2M) or Gigabit active fiber (P2P), the Series can be deployed in the existing copper or fiber network infrastructure.



VDSL2 supports super vectoring up to profile 35b and LR-VDSL (DX5401-B0)



802.11ax (WiFi 6) 4x4+4x4 for superior performance and coverage



Zyxel MPro Mesh® Solutions (compliant with EasyMesh standards)



SFP cage enables Gigabit active fiber (P2P) and GPON (P2M) deployments



Remote management via TR-069 and TR-181 i2



Zyxel-developed OPAL for superior flexibility and faster time to market



VoIP SIP protocol with 3-way conference calls

Premium MPro Mesh® for whole-home coverage**

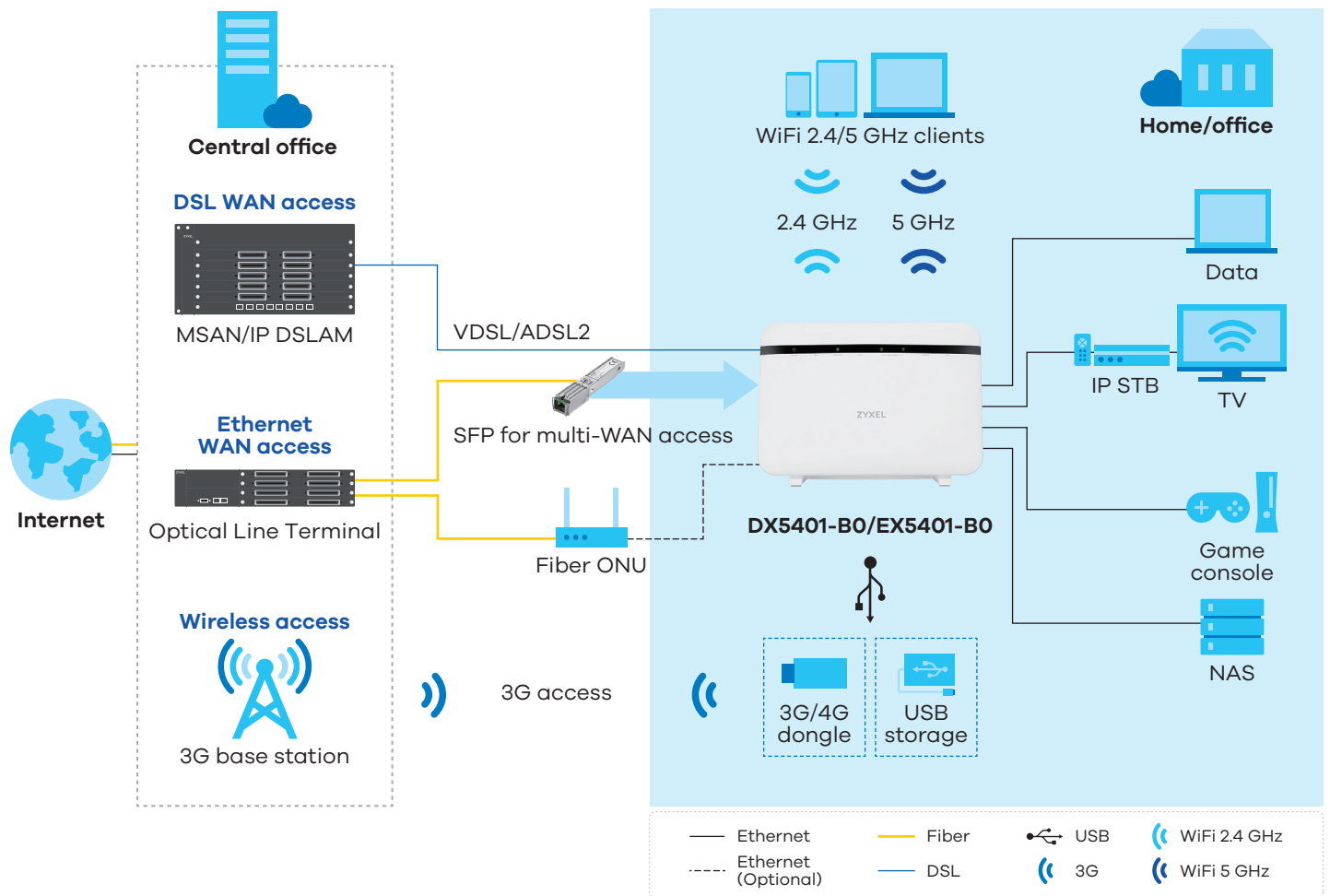
Featuring EasyMesh fully compliant Zyxel MPro Mesh® Solutions, the Series enhances your subscribers' experience by providing self-adapting, easy-to-manage whole-home WiFi coverage, while reducing your service OPEX.

** Combining DX5401-B0 and EX5401-B0 with the WX3401 Wireless Extender is advised for the ideal mesh network performance.

TR-069/TR-181 issue-2 remote management for lower OPEX

Compliant with TR-069, the Series significantly simplifies deployment complexity and lowers operating and maintenance costs. The additional support to the latest TR-181 issue-2 data model also enhances service providers' visibility on subscriber LAN networks to offer improved customer assistance.

Application diagram



DX5401-B0/EX5401-B0

Model	DX5401-B0	EX5401-B0
Product name	Dual-Band Wireless AX6000 VDSL2 Gigabit IAD	Dual-Band Wireless AX6000 Gigabit Ethernet IAD
Hardware		
WAN interface	DSL RJ-11/RJ45/GbE	RJ45/GbE
Ethernet port (10/100/1000)	5 (1 for Ethernet WAN)	5 (1 for Ethernet WAN)
POTS FXS port	2	2
USB port	1 (USB 3.0)	1 (USB 3.0)
VDSL	<ul style="list-style-type: none"> • G.993.1 VDSL • G.993.2 VDSL2 <ul style="list-style-type: none"> ▪ Band plan Annex A, over POTS ▪ Band plan Annex B, over ISDN • Support VDSL profiles: 8a/b/c/d, 12a/b, 17a, 30a and 35b • G.vector • Long reach-VDSL(LR-VDSL) 	-
ADSL	<ul style="list-style-type: none"> • G.992.1 (G.dmt) • G.992.2 (G.lite) • ANSI T1.413 compliant • G.992.3 (ADSL2) • G.992.5 (ADSL2+) • G.INP support 	-
Router/bridge features	<ul style="list-style-type: none"> • IEEE 802.1D transparent bridge & basic spanning tree • PPPoE (RFC 2516) • PPPoA (RFC 2364) • MAC encapsulation routing/IPoE • Network Address Translation (NAT) • NAT virtual server (port forwarding) • DHCP client/server/relay with DHCP option 43/60/61/125 • DNS proxy/dynamic DNS • Static/policy route • IGMP v1, v2, v3 • IPv4/IPv6 	
Wireless	<ul style="list-style-type: none"> • Auto channel selection • WiFi Multimedia (WMM) • Wireless scheduling • Wireless output power management • Multiple SSID up to 4 • WiFi Protected Setup (WPS) • Intra-BSS traffic block • MAC address filtering • WPS 2.0 	
VLAN	<ul style="list-style-type: none"> • 802.1Q VLAN tagging/un-tagging • Support flexible traffic classification 	

Voice		
SIP v2 (RFC 3261)	Yes	Yes
SIP account (URL type included)	Yes	Yes
G.168 echo cancellation	Yes	Yes
VAD/CNG	Yes	Yes
CODEC	G.711 a/μ (64K), G.726 (24/32K), G.722	G.711 a/μ (64K), G.726 (24/32K), G.722
DTMF detection and generation	Yes	Yes
DTMF: In-band and out-of-band	Yes	Yes
FAX, modem detection and pass-through	Yes	Yes
Call waiting	Yes	Yes
Call hold/call retrieve	Yes	Yes
Call transferring	Yes	Yes
Call forwarding	Yes	Yes
Caller ID	Yes	Yes
Three way conference	Yes	Yes
Dynamic jitter buffer	Yes	Yes
On hook, off hook and flash detection	Yes	Yes
DNS SRV	Yes	Yes
DSL compliance		
Standards/profile	VDSL2 Vectoring (up to 35b)/ADSL2+	-
Wireless		
WLAN	2.4 GHz 4x4 ax + 5 GHz 4x4 ax	2.4 GHz 4x4 ax + 5 GHz 4x4 ax
Firewall		
Stateful packet inspection	Yes	Yes
Denial of service	Yes	Yes
ICMP blocking	Yes	Yes
VPN		
PPTP	Yes	Yes
L2TP	Yes	Yes
IPSec (Pass thru)	Yes	Yes
Management	<ul style="list-style-type: none"> • Web/HTTP: 3 level log-in via SSH or Telnet • Firmware upgrade via web/TFTP/FTP/TR-069 RPC method • Text based configuration • Configuration backup/update/restore default via Web • Configurable access control for remote management (interface and/port number) • DSL forum TR-069, TR-098 • TR-111 and TR-181 i2 • SNMP v1, v2 • Rom-D support • UPnP port forwarding rules on page 	
Button	<ul style="list-style-type: none"> • Wireless On/Off • WPS • Reset 	

Status LEDs indicators	<ul style="list-style-type: none"> • Power/System • WAN • Internet • LAN • WLAN-2.4G/WPS • WLAN-5G/WPS • VoIP • Fiber
Power consumption	12 V DC, 3A
Package contents	<ul style="list-style-type: none"> • Device • Power adapter • Ethernet cable • Phone cable • Quick start guide
Environmental specifications	
Operating environment	<ul style="list-style-type: none"> • Temperature: 0°C to 40°C (32°F to 104°F) • Humidity: 10% to 90% (Non-condensing)
Storage environment	<ul style="list-style-type: none"> • Temperature: -30°C to 70°C (-22°F to 158°F) • Humidity: 10% to 95% (Non-condensing)
Physical specifications	
Dimension (WxDxH)(mm/in.)	258 x 32 x 180/10.15 x 1.25 x 7.08
Weight (g/lb.)	521.8/1.15

Hardware interface

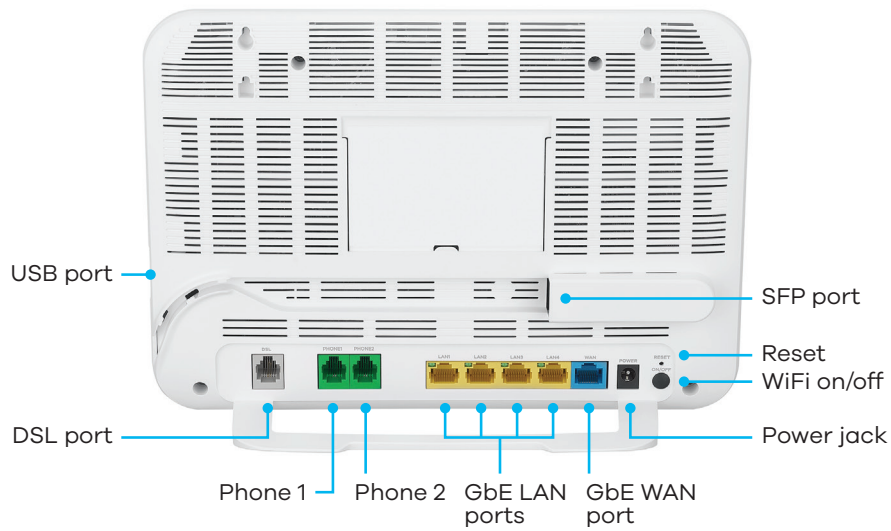
Front panel

DX5401-B0/EX5401-B0

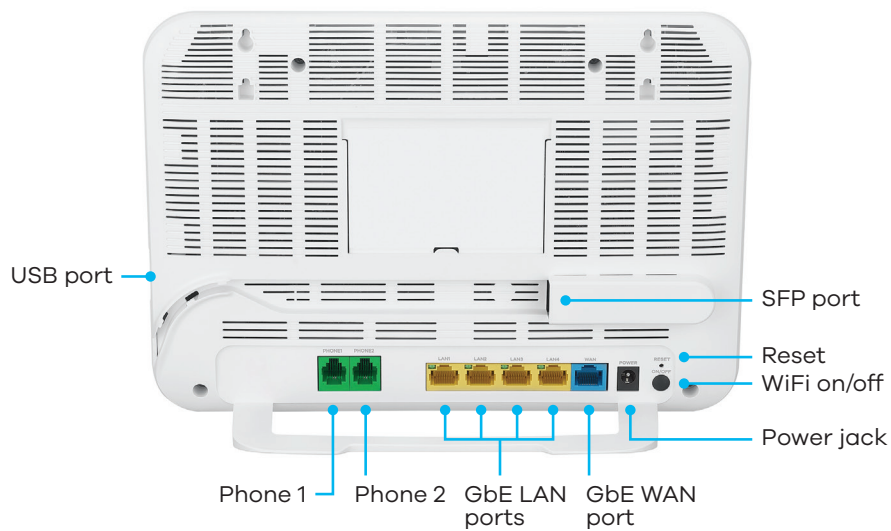


Rear panel

DX5401-B0



EX5401-B0







For more product information, visit us on the web at <https://service-provider.zyxel.com>

Copyright © 2021 Zyxel and/or its affiliates. All rights reserved.
All specifications are subject to change without notice.

