

2009, Volume 113A

Nathan A. Mathew, Mark A. Rickard, Kathryn M. Kornau, Andrei V. Pakoulev, Stephen B. Block, Lena A. Yurs, and John C. Wright*: Coherent Multidimensional Vibrational Spectroscopy of Representative N-Alkanes

Page 9792. Figure 2 in this paper is incorrect. The correct figure appears below.

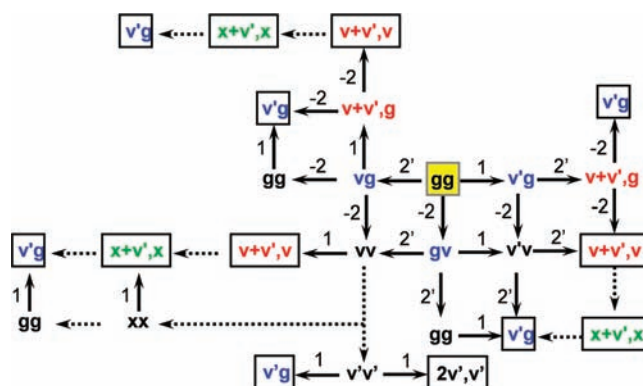


Figure 2. Liouville diagram similar to Figure 1 but showing the evolution of the coherences and populations when ω_1 is different from ω_2 , ω_2' .

10.1021/jp909831d

Published on Web 10/26/2009