



**NONRESIDENT  
TRAINING  
COURSE**



July 2001

---

# **Aviation Ordnanceman**

**NAVEDTRA 14313**

**DISTRIBUTION STATEMENT A: Approved for public release; distribution is unlimited.**

Although the words “he,” “him,” and “his” are used sparingly in this course to enhance communication, they are not intended to be gender driven or to affront or discriminate against anyone.

**DISTRIBUTION STATEMENT A: Approved for public release; distribution is unlimited.**

# PREFACE

By enrolling in this self-study course, you have demonstrated a desire to improve yourself and the Navy. Remember, however, this self-study course is only one part of the total Navy training program. Practical experience, schools, selected reading, and your desire to succeed are also necessary to successfully round out a fully meaningful training program.

**COURSE OVERVIEW:** When you complete this course you will be familiar with bombs, fuzes, aircraft rockets and rocket launchers, air-launched guided missiles and guided missile launchers, pyrotechnics, air-laid mines and torpedoes, M61A1 gun installations, ammunition loading, and targets and associated equipment. You will also become familiar with ammunition handling equipment, suspension, arming, and releasing equipment, and ammunition handling and storage ashore and afloat.

Additionally, you will learn about aircraft weapons systems, weapons assembly, and aircraft loading and unloading procedures. You will also learn about aircraft weapons testing equipment and ammunition administration ashore and afloat.

**THE COURSE:** This self-study course is organized into subject matter areas, each containing learning objectives to help you determine what you should learn along with text and illustrations to help you understand the information. The subject matter reflects day-to-day requirements and experiences of personnel in the rating or skill area. It also reflects guidance provided by Enlisted Community Managers (ECMs) and other senior personnel, technical references, instructions, etc., and either the occupational or naval standards, which are listed in the *Manual of Navy Enlisted Manpower Personnel Classifications and Occupational Standards*, NAVPERS 18068.

**THE QUESTIONS:** The questions that appear in this course are designed to help you understand the material in the text.

**VALUE:** In completing this course, you will improve your military and professional knowledge. Importantly, it can also help you study for the Navy-wide advancement in rate examination. If you are studying and discover a reference in the text to another publication for further information, look it up.

*2001 Edition Prepared by  
AOC(AW) Brian Glowacki*

Published by  
NAVAL EDUCATION AND TRAINING  
PROFESSIONAL DEVELOPMENT  
AND TECHNOLOGY CENTER

**NAVSUP Logistics Tracking Number  
0504-LP-026-4060**

## **Sailor's Creed**

“I am a United States Sailor.

I will support and defend the Constitution of the United States of America and I will obey the orders of those appointed over me.

I represent the fighting spirit of the Navy and those who have gone before me to defend freedom and democracy around the world.

I proudly serve my country's Navy combat team with honor, courage and commitment.

I am committed to excellence and the fair treatment of all.”

# TABLE OF CONTENTS

<b>CHAPTER</b>	<b>PAGE</b>
1. Bombs, Fuzes, and Associated Components.....	1-1
2. Aircraft Rockets and Rocket Launchers .....	2-1
3. Air-Launched Guided Missiles and Guided Missile Launchers.....	3-1
4. Pyrotechnics .....	4-1
5. Air-Laid Mines and Torpedoes .....	5-1
6. M61A1 Gun Installation .....	6-1
7. Ammunition Loading.....	7-1
8. Targets and Associated Equipment.....	8-1
9. Ammunition Handling Equipment .....	9-1
10. Suspension, Arming, and Releasing Equipment.....	10-1
11. Ammunition Storage and Handling Afloat .....	11-1
12. Ammunition Storage and Handling Ashore .....	12-1
13. Weapons Assembly .....	13-1
14. Aircraft Loading and Unloading Procedures.....	14-1
15. Aircraft Weapons Systems .....	15-1
16. Aircraft Weapons Systems Test Equipment.....	16-1
17. Ammunition Administration Ashore and Afloat .....	17-1
 <b>APPENDIX</b>	
I. Glossary and Acronyms .....	AI-1
II. References Used to Develop this TRAMAN.....	AII-1
 <b>INDEX</b> .....	<b>INDEX-1</b>

# INSTRUCTIONS FOR TAKING THE COURSE

## ASSIGNMENTS

The text pages that you are to study are listed at the beginning of each assignment. Study these pages carefully before attempting to answer the questions. Pay close attention to tables and illustrations and read the learning objectives. The learning objectives state what you should be able to do after studying the material. Answering the questions correctly helps you accomplish the objectives.

## SELECTING YOUR ANSWERS

Read each question carefully, then select the BEST answer. You may refer freely to the text. The answers must be the result of your own work and decisions. You are prohibited from referring to or copying the answers of others and from giving answers to anyone else taking the course.

## SUBMITTING YOUR ASSIGNMENTS

To have your assignments graded, you must be enrolled in the course with the Nonresident Training Course Administration Branch at the Naval Education and Training Professional Development and Technology Center (NETPDTC). Following enrollment, there are two ways of having your assignments graded: (1) use the Internet to submit your assignments as you complete them, or (2) send all the assignments at one time by mail to NETPDTC.

**Grading on the Internet:** Advantages to Internet grading are:

- you may submit your answers as soon as you complete an assignment, and
- you get your results faster; usually by the next working day (approximately 24 hours).

In addition to receiving grade results for each assignment, you will receive course completion confirmation once you have completed all the

assignments. To submit your assignment answers via the Internet, go to:

**<http://courses.cnet.navy.mil>**

**Grading by Mail:** When you submit answer sheets by mail, send all of your assignments at one time. Do NOT submit individual answer sheets for grading. Mail all of your assignments in an envelope, which you either provide yourself or obtain from your nearest Educational Services Officer (ESO). Submit answer sheets to:

COMMANDING OFFICER  
NETPDTC N331  
6490 SAUFLEY FIELD ROAD  
PENSACOLA FL 32559-5000

**Answer Sheets:** All courses include one "scannable" answer sheet for each assignment. These answer sheets are preprinted with your SSN, name, assignment number, and course number. Explanations for completing the answer sheets are on the answer sheet.

**Do not use answer sheet reproductions:** Use only the original answer sheets that we provide—reproductions will not work with our scanning equipment and cannot be processed.

Follow the instructions for marking your answers on the answer sheet. Be sure that blocks 1, 2, and 3 are filled in correctly. This information is necessary for your course to be properly processed and for you to receive credit for your work.

## COMPLETION TIME

Courses must be completed within 12 months from the date of enrollment. This includes time required to resubmit failed assignments.

## **PASS/FAIL ASSIGNMENT PROCEDURES**

If your overall course score is 3.2 or higher, you will pass the course and will not be required to resubmit assignments. Once your assignments have been graded you will receive course completion confirmation.

If you receive less than a 3.2 on any assignment and your overall course score is below 3.2, you will be given the opportunity to resubmit failed assignments. **You may resubmit failed assignments only once.** Internet students will receive notification when they have failed an assignment—they may then resubmit failed assignments on the web site. Internet students may view and print results for failed assignments from the web site. Students who submit by mail will receive a failing result letter and a new answer sheet for resubmission of each failed assignment.

## **COMPLETION CONFIRMATION**

After successfully completing this course, you will receive a letter of completion.

## **ERRATA**

Errata are used to correct minor errors or delete obsolete information in a course. Errata may also be used to provide instructions to the student. If a course has an errata, it will be included as the first page(s) after the front cover. Errata for all courses can be accessed and viewed/downloaded at:

**<http://www.advancement.cnet.navy.mil>**

## **STUDENT FEEDBACK QUESTIONS**

We value your suggestions, questions, and criticisms on our courses. If you would like to communicate with us regarding this course, we encourage you, if possible, to use e-mail. If you write or fax, please use a copy of the Student Comment form that follows this page.

## **For subject matter questions:**

E-mail: n315.products@cnet.navy.mil  
Phone: Comm: (850) 452-1001, ext. 1717  
DSN: 922-1001, ext. 1717  
FAX: (850) 452-1370  
(Do not fax answer sheets.)  
Address: COMMANDING OFFICER  
NETPDTC N315  
6490 SAUFLEY FIELD ROAD  
PENSACOLA FL 32509-5237

## **For enrollment, shipping, grading, or completion letter questions**

E-mail: fleetservices@cnet.navy.mil  
Phone: Toll Free: 877-264-8583  
Comm: (850) 452-1511/1181/1859  
DSN: 922-1511/1181/1859  
FAX: (850) 452-1370  
(Do not fax answer sheets.)  
Address: COMMANDING OFFICER  
NETPDTC (CODE N331)  
6490 SAUFLEY FIELD ROAD  
PENSACOLA FL 32559-5000

## **NAVAL RESERVE RETIREMENT CREDIT**

If you are a member of the Naval Reserve, you will receive retirement points if you are authorized to receive them under current directives governing retirement of Naval Reserve personnel. For Naval Reserve retirement, this course is evaluated at 21 points which will be credited in units as follows: Unit 1: 12 points upon completion of assignments 1 through 8 and Unit 2: 9 points upon completion of assignments 9 through 14. (Refer to *Administrative Procedures for Naval Reservists on Inactive Duty*, BUPERSINST 1001.39, for more information about retirement points.)

(THIS PAGE IS INTENTIONALLY LEFT BLANK.)



# Student Comments

Course Title: Aviation Ordnanceman

NAVEDTRA: 14313 Date: \_\_\_\_\_

**We need some information about you:**

Rate/Rank and Name: \_\_\_\_\_ SSN: \_\_\_\_\_ Command/Unit \_\_\_\_\_

Street Address: \_\_\_\_\_ City: \_\_\_\_\_ State/FPO: \_\_\_\_\_ Zip \_\_\_\_\_

**Your comments, suggestions, etc.:**

**Privacy Act Statement:** Under authority of Title 5, USC 301, information regarding your military status is requested in processing your comments and in preparing a reply. This information will not be divulged without written authorization to anyone other than those within DOD for official use in determining performance.

NETPDTC 1550/41 (Rev 4-00)



## CHAPTER 1

# BOMBS, FUZES, AND ASSOCIATED COMPONENTS

Bombs must be manufactured to withstand reasonable heat and be insensitive to the shock of ordinary handling. They must also be capable of being dropped from an aircraft in a safe condition when in-flight emergencies occur.

Bomb detonation is controlled by the action of a fuze. A fuze is a device that causes the detonation of an explosive charge at the proper time after certain conditions are met. A bomb fuze is a mechanical or an electrical device. It has the sensitive explosive elements (the primer and detonator) and the necessary mechanical/electrical action to detonate the main burster charge. A mechanical action or an electrical impulse, which causes the detonator to explode, fires the primer. The primer-detonator explosion is relayed to the main charge by a booster charge. This completes the explosive train.

### FUZE TERMINOLOGY AND BASIC FUZE THEORY

**LEARNING OBJECTIVE:** *Describe the operation of mechanical and electrical fuzes. Identify special safety features that are inherent in bomb fuzes.*

This chapter will introduce you to some of the common terms and acronyms associated with fuzes used in the Navy. Basic fuze theory, general classes of fuzes, and the various types of fuzes are also discussed in this chapter.

### FUZE TERMINOLOGY

Some of the most common fuze terms that you should know are defined as follows:

*Arming time.* The amount of time or vane revolutions needed for the firing train to be aligned after the bomb is released or from time of release until the bomb is fully armed. It is also known as *safe separation time (SST)*.

*Delay.* When the functioning time of a fuze is longer than 0.0005 second.

*External evidence of arming (EEA).* A means by which a fuze is physically determined to be in a safe or armed condition.

*Functioning time.* The time required for a fuze to detonate after impact or a preset time.

*Instantaneous.* When the functioning time of a fuze is 0.0003 second or less.

*Nondelay.* When the functioning time of a fuze is 0.0003 to 0.0005 second.

*Proximity (VT).* The action that causes a fuze to detonate before impact when any substantial object is detected at a predetermined distance from the fuze.

*Safe air travel (SAT).* The distance along the trajectory that a bomb travels from the releasing aircraft in an unarmed condition.

### BASIC FUZE THEORY

Fuzes are normally divided into two general classes—mechanical and electrical. These classes only refer to the primary operating principles. They may be subdivided by their method of functioning or by the action that initiates the explosive train—impact, mechanical time, proximity, hydrostatic, or long delay. Another classification is their position in the bomb—nose, tail, side, or multi-positioned.

### Mechanical Fuzes

In its simplest form, a mechanical fuze is like the hammer and primer used to fire a rifle or pistol. A mechanical force (in this case, the bomb impacting the target) drives a striker into a sensitive detonator. The detonator ignites a train of explosives, eventually firing the main or filler charge. A mechanical bomb fuze is more complicated than the simple hammer and primer. For safe, effective operation, any fuze (mechanical or electrical) must have the following design features:

- It must remain safe in stowage, while it is handled in normal movement, and during loading and downloading evolutions.
- It must remain safe while being carried aboard the aircraft.
- It must remain safe until the bomb is released and is well clear of the delivery aircraft (arming delay or safe separation period).

- Depending upon the type of target, the fuze may be required to delay the detonation of the bomb after impact for a preset time (functioning delay). Functioning delay may vary from a few milliseconds to many hours.
- It should not detonate the bomb if the bomb is accidentally released or if the bomb is jettisoned in a safe condition from the aircraft.

To provide these qualities, a number of design features are used. Most features are common to all types of fuzes.

### **Electrical Fuzes**

Electrical fuzes have many characteristics of mechanical fuzes. They differ in fuze initiation. An electrical impulse is used to initiate the electrical fuze rather than the mechanical action of arming vane rotation.

An electrical pulse from the delivery aircraft charges capacitors in the fuze as the bomb is released from the aircraft. Arming and functioning delays are produced by a series of resistor/capacitor networks in the fuze. The functioning delay is electromechanically initiated, with the necessary circuits closed by means of shock-sensitive switches.

The electric bomb fuze remains safe until it is energized by the electrical charging system carried in the aircraft. Because of the interlocks provided in the release equipment, electrical charging can occur only after the bomb is released from the rack or shackle and has begun its separation from the aircraft; however, it is still connected electrically to the aircraft's bomb arming unit. At this time, the fuze receives an energizing charge required for selection of the desired arming and impact times.

### **SPECIAL SAFETY FEATURES**

Some fuzes incorporate special safety features. The most important safety features are detonator safe, shear safe, and delay arming.

Detonator safe fuzes do not have the elements of their firing train in the proper position for firing until the fuze is fully armed. The elements remain firmly fixed and out of alignment in the fuze body while the fuze is unarmed. This increases safety during shipping, stowing, and handling of the fuze. The arming action of the fuze aligns the firing train.

A shear-safe fuze does not become armed if its arming mechanism is damaged or completely severed from the fuze body. The arming mechanism of the fuze protrudes from the bomb, and it might be severed from the fuze body if the bomb is accidentally dropped. Shear-safe fuzes give additional security for carrier operations and for externally mounted bombs.

Delay arming mechanically or electrically slows the arming of the fuze. It keeps a fuze in the safe condition until the bomb falls far enough away from or long enough from the aircraft to minimize the effects of a premature explosion. Delay arming helps to make carrier operations safe because a bomb accidentally released during landing or takeoff ordinarily will not have sufficient air travel, velocity, or time to fully arm the fuze.

### **REVIEW NUMBER 1**

- Q1. Name the device that controls bomb detonation.*
- Q2. The time or number of vane revolutions needed for the firing train to align after a bomb is released is the \_\_\_\_\_.*
- Q3. Describe the functioning time of a fuze.*
- Q4. The distance along the trajectory that a bomb travels from the releasing aircraft in an unarmed condition is the \_\_\_\_\_.*
- Q5. List the two basic classes of fuzes.*
- Q6. Describe the basic principle of the mechanical fuze.*
- Q7. What means is used to initiate an electrical fuze?*
- Q8. List the three special safety features incorporated into fuzes.*

### **MECHANICAL FUZES**

**LEARNING OBJECTIVE:** *Identify the various types of mechanical fuzes to include their physical description and functional operation.*

There are many fuzes in use by the Navy today. Some of the commonly used fuzes are discussed in this TRAMAN. To keep up with current fuzes, you should refer to *Aircraft Bombs, Fuzes, and Associated Components*, NAVAIR 11-5A-17, and *Airborne Bomb and Rocket Fuze Manual*, NAVAIR 11-1F-2.

## M904E2/E3/E4 MECHANICAL IMPACT NOSE FUZE

The M904 (series) fuze (fig. 1-1) is a mechanical impact nose fuze used in the Mk 80 (series) low-drag general-purpose (LDGP) bombs. The M904 (series) fuze is installed in the nose fuze well of the bomb and requires the use of an adapter booster. The fuze is detonator-safe, and it contains two observation windows through which you can determine the safe/arm condition of the fuze. There is no special locking feature designed into the fuze for shear safety if the bomb is accidentally dropped. However, detonation is unlikely if the collar (forward end of the fuze) is sheared off by the accidental drop before arming is complete.

The fuze may be configured for a number of preselected arming and functioning delays needed by a mission. There are nine arming delays from 2 to 18 seconds in 2-second increments, and any combination of six functioning delays from instantaneous to 250 milliseconds (0.250 seconds) may be selected. An internal governor, driven by the permanently mounted arming vane, allows relatively constant arming times at release speeds ranging from 170 to over 525 knots.

Functioning times are determined by the installation of an M9 delay element. Any one of six delay elements may be installed. Each delay element is identified by the functioning delay time stamped on the element body—NONDELAY (instantaneous), 0.01, 0.025, 0.05, 0.1, or 0.25 second.

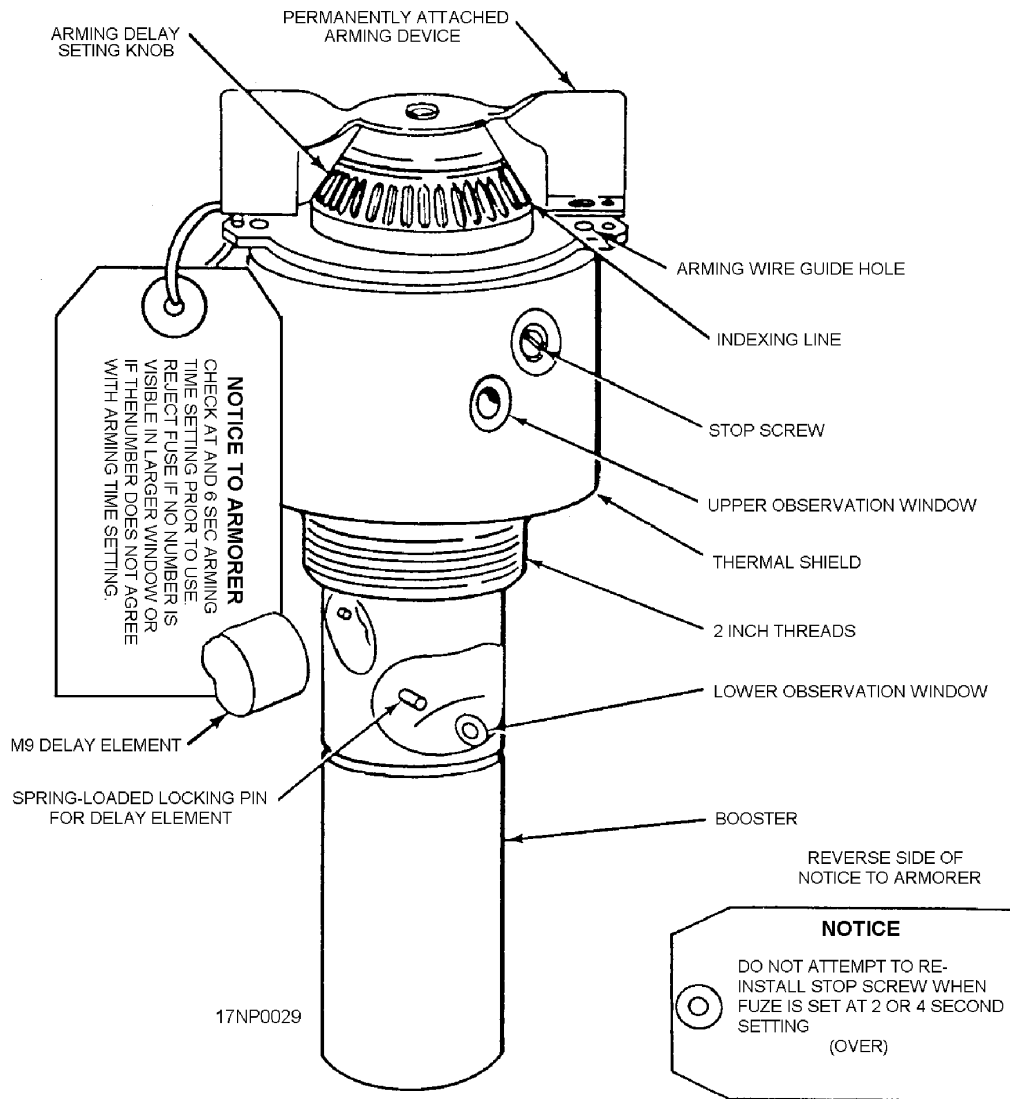


Figure 1-1.—Mechanical impact nose fuze M904 (series).

## Physical Description

The M904 (series) fuze contains approximately 1 1/2 ounces of tetryl in the booster, which is located at the base of the fuze body. The entire fuze weighs about 2 1/3 pounds and is 9 1/4 inches long.

The M904E4 is a thermally protected fuze. It is especially designed for use with the thermally protected Mk 80 (series) general-purpose bombs and the thermally protected M148E1 adapter booster. This

significantly increases the cook-off time (table 1-1) of the bombs subjected to intense heat or flame.

## REVIEW NUMBER 1 ANSWERS

- A1. *A fuze controls bomb detonation.*
- A2. *The time or number of vane revolutions needed for the firing train to align after a bomb is released is the arming time.*

Table 1-1.—MK 80/BLU Series Cook-Off Times

Item	Ordnance	Fuze/Adapter Booster	Average Reaction Time (Min & Sec)	Shortest Reaction Time	Bomb Initiated Reaction	Fuze Booster Initiated Reaction*
Bomb H6 and PBXN 109 filled	Mk 82, 83, 84 unprotected	All	3 + 30	2 + 30	Deflagration to explosion	Deflagration to detonation (after 5 minutes)
	Mk 82 Mods/ BLU-111	M904E4 with M148E1 Adapter, FMU-152, FMU-139	10 + 00	8 + 00	Deflagration	Deflagration to detonation (after 12 minutes)
		M904E2/E3 with M148/T45	6 + 00	5 + 00		Deflagration to detonation
		M148T45 (no fuze)	3 + 04			Deflagration to detonation (denotation may occur after 5 minutes)
	Mk 83 Mods/ BLU-110 thermally protected	M904E4 with M148E1 Adapter, FMU-139/B, FMU-152	10 + 00	8 + 49	Deflagration	Deflagration to detonation (after 12 minutes)
Mk 84 Mods/ BLU-117 thermally protected	M904E4 with M148E1 Adapter, FMU-139/B, FMU-152	10 + 00	8 + 45	Deflagration to detonation (after 12 minutes)		
* Fuze or booster initiated reaction. Frequency of detonation reaction is small.						
** Chips in exterior coating and/or groove for retarding fin cut to bare steel do not change cook-off time.						

- A3. *The time required for a fuze to detonate after impact or a preset time is known as the functioning time.*
- A4. *The distance along the trajectory that a bomb travels from the releasing aircraft in an unarmed condition is known as the safe air travel (SAF).*
- A5. *The two basic classes of fuzes are electrical and mechanical.*
- A6. *The force used to initiate the mechanical fuze is like the hammer and primer used to fire a rifle. A mechanical force drives a striker into a sensitive detonator.*
- A7. *An electrical impulse initiates an electrical fuze.*
- A8. *The three special safety features incorporated into fuzes are detonator safe, shear safe, and delay arming features.*

**ARMING DELAY TIMES.**—Arming delay times are inscribed into the face of the forward nose retaining ring. A white indexing line is scribed on the knurled delay setting knob below the arming vane. The white indexing line must be matched to one of the indicated arming times to select the desired arming delay. To select the required arming delay time, depress

the setting index locking pin and rotate the knurled arming delay setting knob until the white indexing line is aligned with the desired arming delay time stamped on the nose retaining ring. The 2- and 4-second arming times are for use with retarded weapons, and are only set by removing the stop screw located next to the setting index locking pin. **Never try to reinstall the stop screw when either of these two settings are used.** The stop screw may be reinstalled at any delay setting of 6 seconds or more.

**IDENTIFICATION OF ARMED FUZES.**—There are three conditions of the M904 fuze—safe, partially armed, and fully armed. You can verify the fuze conditions by looking through the two observation windows in the fuze body (fig. 1-1). To check the fuze condition, hold the fuze vertically and look through the windows perpendicular to the fuze body. Look at table 1-2. It shows you what you would see through the observation windows of the M904E3/4 fuze at various time settings and fuze conditions.

Also, check the M904E4 to make sure the thermal sleeve is firmly bonded to the fuze collar and is not cracked.

**NOTE:** If the safe condition of any fuze is in doubt, explosive ordnance disposal (EOD) personnel should be notified immediately.

**Table 1-2.—Indications for Determining Conditions of M904E3/4 Nose Fuzes**

<b>Condition</b>	<b>Time Setting</b>	<b>Upper Window</b>	<b>Lower Window</b>
Safe	18 Seconds	White number "18" on green background.	Vacant or dark in color.
	6 Seconds	White number "6" on green background.	
Partially Armed	18 and 6 Seconds	Green background with no numbers visible. (If numbers appear at other than "18" or "6" second setting or if numbers do not match settings, fuze is partially armed.)	Vacant or dark in color.
Armed	Any setting. (Time setting cannot be changed.)	*Red with black letter "A." (Some green may show at top of window.)	*Red with black Letter "A."

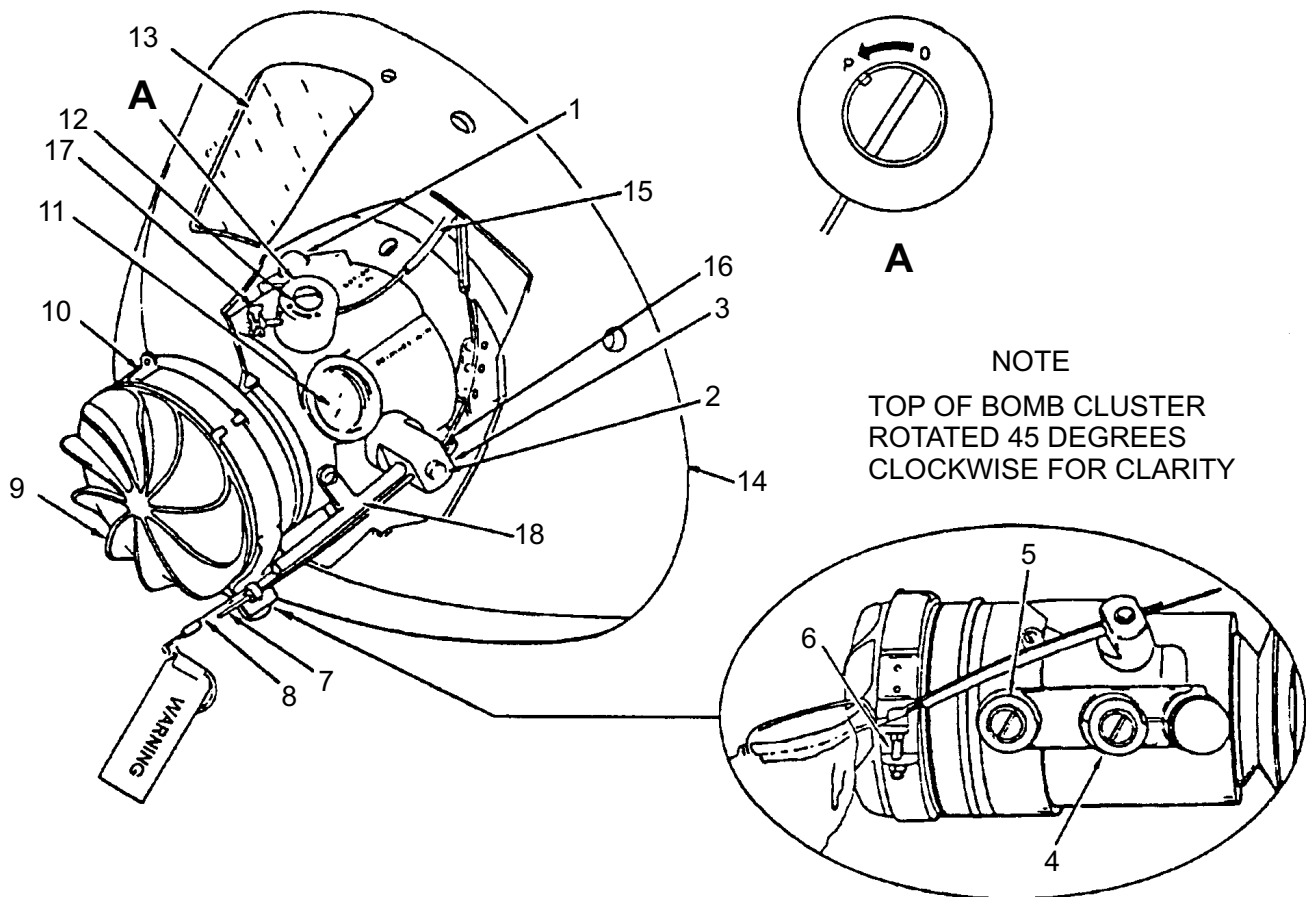
## Functional Description

The M904 fuze arms and functions by the rotation of the arming vane and alignment of its internal components. When the fuze is released from the aircraft, the fuze arming wire is withdrawn from the fuze arming vane, and the arming vane is rotated by the airstream. Arming vane rotation is controlled by the constant arming action of the governor in the fuze. The arming vane continues to rotate until the preselected arming delay period (2 to 18 seconds) elapses (ends). Once the arming delay period elapses, the firing train is in full alignment and ready to function.

At impact, the forward part of the fuze body drives the striker body and firing pin down into the M9 delay element. After the proper delay, the M9 delay ignites the relay, detonator, lead, and booster, which sets off the main charge.

## REVIEW NUMBER 2

- Q1. What kind of fuze is the M904?
- Q2. What bomb series is the M904 fuze used with?
- Q3. The M904 fuze has \_\_\_\_\_ arming delays, which you can set for 2 to 18 seconds in \_\_\_\_\_ increments; there are any combination of \_\_\_\_\_ functioning delays from instantaneous to 250 milliseconds.
- Q4. The M904 is thermally protected. Why is this important?
- Q5. Describe the means you use to check the condition of the M904 fuze.
- Q6. If you can't tell if a fuze is "safe," you should notify \_\_\_\_\_.
- Q7. The M904 arms and functions by \_\_\_\_\_.



- |                                    |                                     |                                    |
|------------------------------------|-------------------------------------|------------------------------------|
| 1. Fuze safe/arm indicator         | 7. Fuze arming wire                 | 13. Indicator observation window   |
| 2. Timer starting pin              | 8. Safety pin assembly              | 14. Nose fairing (reference)       |
| 3. Timer starting pin bracket      | 9. Impeller                         | 15. Option time wire               |
| 4. Option time setting adjustment  | 10. Impeller band assembly          | 16. Retainer slide                 |
| 5. Primary time setting adjustment | 11. Time setting observation window | 17. Clip                           |
| 6. Band release stud and nut       | 12. Option time pin                 | 18. Safety pin assembly guide tube |

Figure 1-2.—Installed mechanical time fuze Mk 339 Mod 1 (with option time wire bomb clusters Mk 20 Mods 3, 4, and 6.



## MK 339 MOD 1 MECHANICAL TIME FUZE

The Mk 339 Mod 1 mechanical time fuzes (fig. 1-2) are used with dispenser weapons and have the following characteristics:

- Nose-mounted
- Air-enabling
- Detonator-safe

The Mod 1 fuze is installed in the Mk 20 Mods 3, 4, and 6 bomb clusters. The Mk 339 Mod 1 fuze is installed in the bomb clusters during assembly by the manufacturer; therefore, the following information on this fuze is limited.

### REVIEW NUMBER 2 ANSWERS

- A1. *The M904 is a detonator-safe, mechanical impact nose fuze.*
- A2. *The M904 series fuze is used with Mk 80 (series) bombs.*
- A3. *The M904 fuze has nine arming delays, which you can set for 2 to 18 seconds in 2-second increments; there are any combination of six functioning delays from instantaneous to 250 milliseconds.*
- A4. *It is important for the M904 to be thermally protected because it increases the "cook-off" time of bombs subjected to intense heat or flame.*
- A5. *There are three conditions of the M904 fuze—safe, partially armed, and fully armed. You can check for these conditions by looking in the two observation windows in the fuze body.*
- A6. *If you can't tell if a fuze is "safe," you should notify explosive ordnance disposal (EOD) personnel.*

- A7. *The M904 arms and functions by rotation of arming vanes and alignment of internal components.*

### Physical Description

The primary and option functioning delays are preset during assembly at the factory. The fuze is preset at 1.2 seconds for primary delay, and the option delay is preset at 4.0 seconds.

You already know the primary and option delays for the fuze is preset at the factory. These time delays can be reset during weapon preparation to meet various tactical requirements. The functional delays for both the primary and option modes of the Mod 1 fuze can be adjusted from 1.2 to 100 seconds.

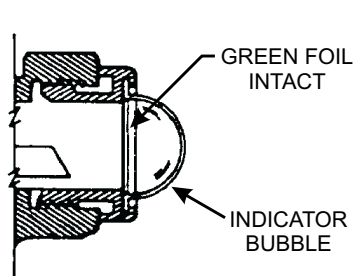
You can tell if the fuze has shifted from the primary to the option mode by the functional mode indicator. You do this by checking the time setting observation window. If the arming wire has been accidentally pulled during handling, the fuzes shift to the option mode. Once the option wire is pulled, the fuze can be reset to the primary mode by reinstalling the option time wire.

The fuze safe/arm indicator (callout 1 of figs. 1-2) provides external evidence of arming (EEA) for the Mk 339 Mod 1 fuze. The fuze safe/arm indicator is viewed through the indicator observation window in the upper nose fairing. There is a layer of green foil at the base of the indicator bubble. The fuze is in a safe condition when the green foil is intact (fig. 1-3, view A), and it is armed when the green foil is pierced by the indicator pin (fig. 1-3, view B).

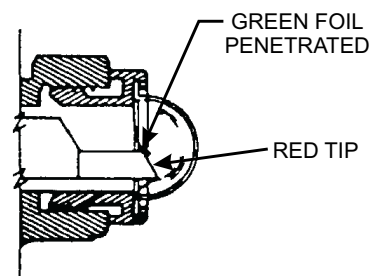
### Functional Description

The following paragraph describes the sequence of events that must occur for Mk 339 fuze to function.

**MOD 1 (WITH OPTION TIME WIRE).**—This fuze is physically and functionally the same as the fuze



A. MK 339 MOD 1 FUZE SAFE/ARM INDICATOR PIN IN SAFE POSITION



B. MK 339 MOD 1 FUZE SAFE/ARM INDICATOR PIN IN ARMED POSITION

AOf0103

Figure 1-3.—Mechanical time fuze Mk 339 safe/arm indicator pin in safe and armed positions.

described in the preceding paragraph except that an option wire is installed. If the pilot selects the primary mode of delivery when the weapon is released from the aircraft, only the arming wire is pulled out and the primary mode of the fuze is initiated. If the pilot selects the option mode of delivery, both the arming wire and the option wire are pulled out, initiating the option time mode of the fuze. If only the option time wire is pulled out on airborne release, the fuze will dud. Both the fuze arming wire and option wire must be pulled out for the fuze to function in the option mode.

**REVIEW NUMBER 3**

- Q1. What bomb is used with the Mk 339 mechanical time fuze?
- Q2. The primary and option delay of the Mk 339 fuze is set at the factory. What means can be used to change the settings for tactical requirements?

- Q3. How can you tell if the Mk 339 fuze has shifted from the primary to the option delay?
- Q4. Describe what you will see in the observation window of a Mk 339 fuze for the conditions listed below:

Safe  
Armed

**ADAPTER BOOSTERS**

An adapter booster is needed to install mechanical fuzes in the Mk 80 (series) general-purpose bombs. The adapter boosters currently in use are the M148/T45E, M148E1 (nose), and the M150/T46 (tail).

**M148/M148E1/T45 (Series) Adapter Booster**

The M148/M148E1/T45 (series) adapter booster (fig. 1-4) permits the use of mechanical nose fuzes in

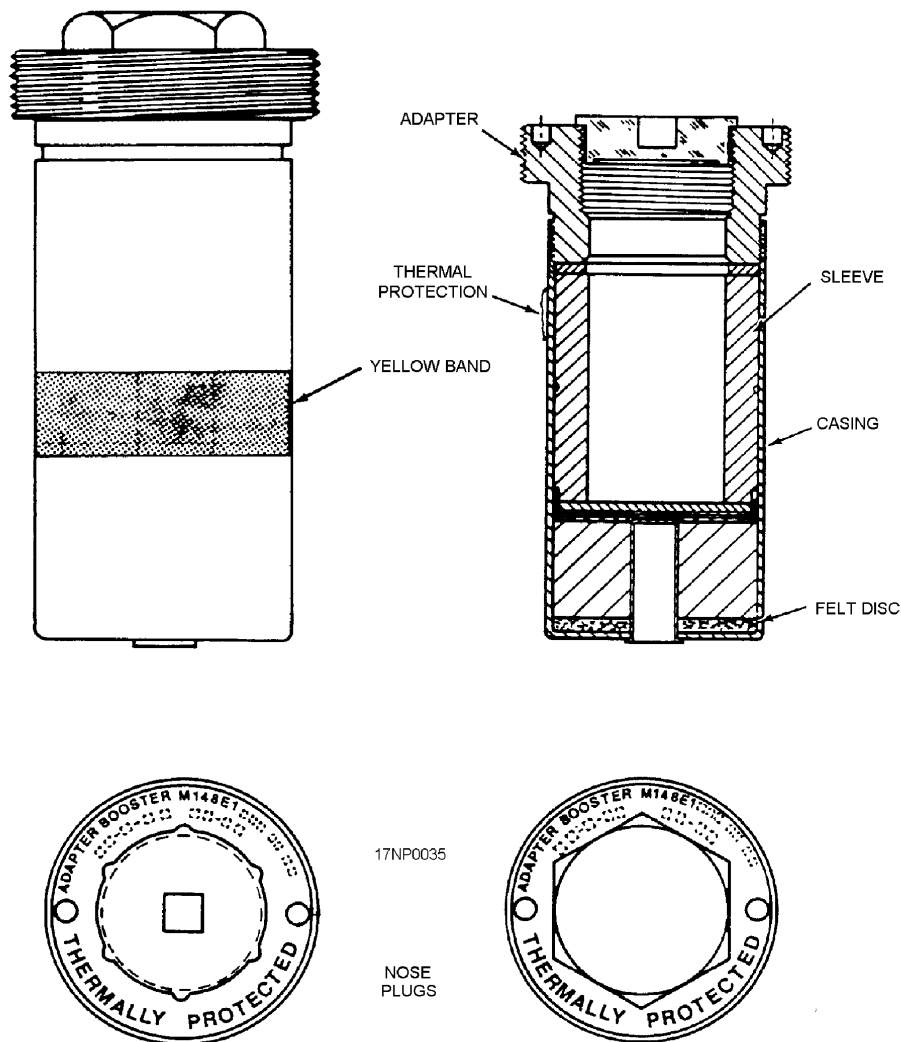


Figure 1-4.—Adapter-booster M148/E1 (series).

the Mk 80 (series) bombs. The adapter booster is externally threaded for installation in the bomb fuze well and internally threaded for installation of the fuze. The casing contains the booster charge that is threaded onto the base of the adapter.

The M148E1 adapter booster is similar in external appearance to the earlier M148/T45 (series). The differences are the nomenclature marking on the face of the adapter booster collar, the words **THERMALLY PROTECTED** in bold black letters, and a yellow band around the adapter booster casing, which indicates that it is loaded with explosives. The M148E1 was developed for use with thermally protected bombs.

**Adapter booster M150/T46 (Series)**

The adapter booster M150/T46 (series) (fig. 1-5) permits the use of mechanical tail fuzes with Mk 80 (series) bombs. The M150/T46 adapter boosters differ only in internal construction, and they may be used interchangeably.

**REVIEW NUMBER 3 ANSWERS**

- A1. *The Mk 20 is used with the Mk 339 mechanical time fuze.*
- A2. *The primary and option delays can be changed by adjusting the primary and option time-setting dials.*
- A3. *You can tell if the fuze has shifted from the primary to the option delay by checking the time setting observation window of the fuze.*
- A4. *Safe—Green foil is intact.*  
*Armed—Green foil is pierced by the indicator pin.*

The M150/T46 (series) adapter boosters consist of two separate explosive components. The primary adapter booster receives a 2.0-inch diameter fuze. The T46 (series) contains a fuze adapter sleeve for use with the 1.5-inch diameter fuze. A hole is drilled through the threads of the primary adapter booster for insertion of a

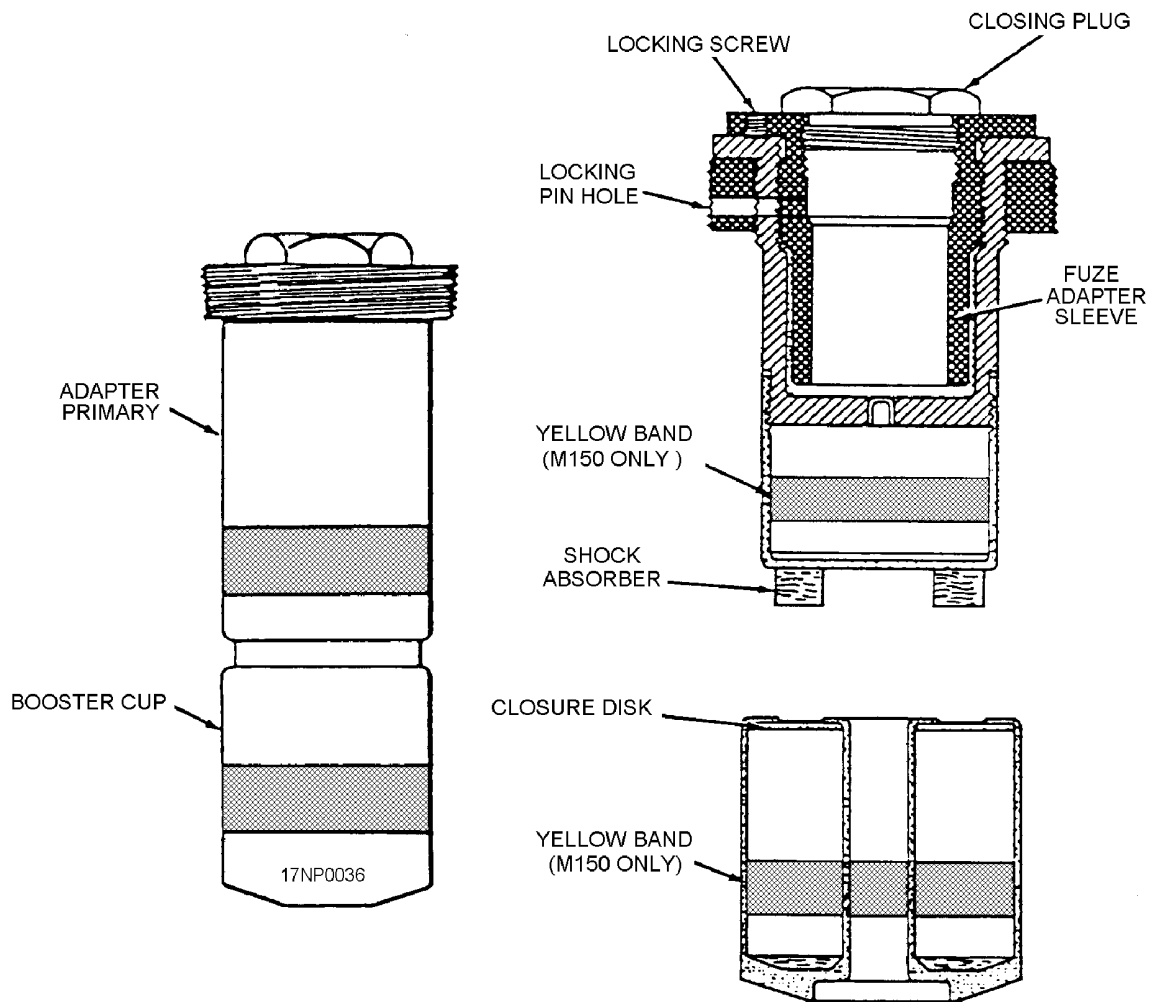


Figure 1-5.—Adapter-booster M150/T46 (series).

locking pin for use with the long-delay fuze. This pin locks the adapter booster to the base plug of the bomb and prevents removal of the adapter booster while the fuze is installed. The M150 has a yellow band around the adapter booster casing, which indicates that it is loaded with explosives.

## ELECTRICAL FUZES

**LEARNING OBJECTIVE:** *Identify the various types of electrical fuzes to include their physical description and functional operation.*

The Mk 376 (fig. 1-6) electric bomb fuze provides an all-electric capability for the Mk 80 (series) bombs with either conical or retarding fins, thermally protected bombs, and laser-guided bombs (LGB). Electric fuzes require an electric pulse from the aircraft fuze function control (FFC) system. The FFC gives in-flight selection of function delay and arming delay times. The 376 fuze is used with the Mk 43 target-detecting device for airburst capability.

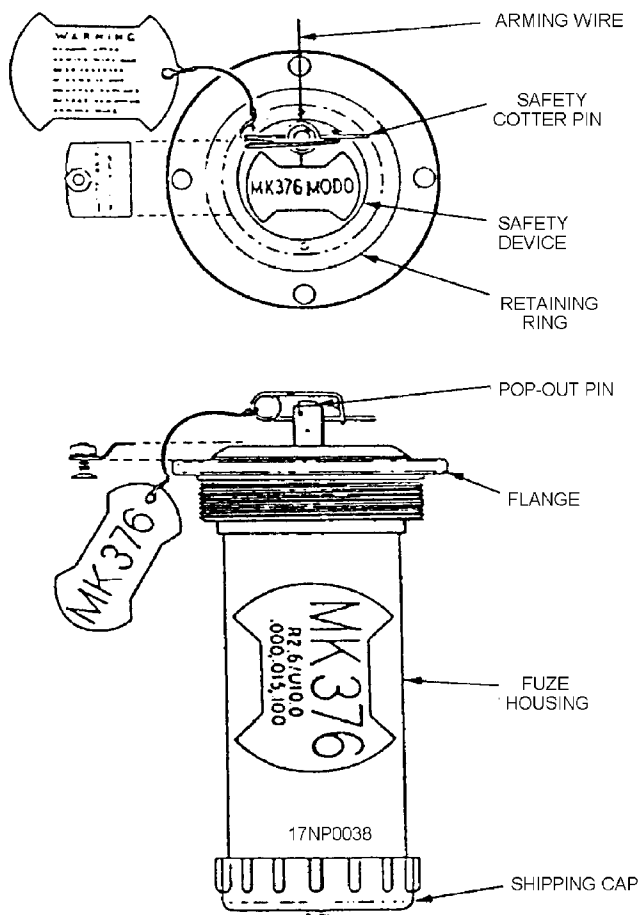


Figure 1-6.—Mk 376 Mod 0 electric fuze.

## DESCRIPTION

The Mk 376 Mod 0 electric tail fuze is detonator safe. The booster contain 4.3 ounces of tetryl explosive. This fuze is classified HERO SAFE, and no unusual RADHAZ precautions are required under normal operating conditions.

Four discreet dc voltages for in-flight selection of functioning delay times are used in the Mk 376 fuze. The Mk 31 safety device automatically selects arming delay times.

## MK 31 SAFETY DEVICE

The Mk 31 safety device is used to adapt the fuze to the fuze well of the bomb, provide mechanical safing of the fuze, and unlock the timer-decelerometer. The safety device contains a pop-out pin that locks the fuze in an unarmed condition. The spring-loaded pin is held in the safe position by either a safety cotter pin or an arming wire. When the weapon is released from the aircraft, the arming wire is pulled from the pop-out pin, allowing the pin to pop out, unlock the decelerometer, thus initiating the arming time. When the free-fall mode of delivery is used the Mk 376 fuze, arming is completed 10.0 seconds after release from the aircraft. If the Mk 31 safety device senses weapon deceleration (Snakeye fins open), the internal circuits of the fuze are switched, and the fuze becomes armed in 2.6 seconds. The quicker arming time is required to ensure the fuze is fully armed for low-altitude delivery. If deceleration is not sensed by 2.6 seconds, the fuze arming delay continues to the 10.0-second arming time.

## FUNCTIONAL OPERATION

The following description applies specifically to the Mk 376 fuze.

Two arming delays are used in the Mk 376 fuze—2.6 seconds for retarded delivery and 10.0 seconds for unretarded delivery. The appropriate arming delay is automatically selected by the fuze according to the actual delivery mode of the weapon. That is, if the weapon does not retard, whether intentionally or unintentionally, the fuze automatically provides a 10.0-second arming delay.

At release, the arming wire is withdrawn and a charging voltage (+300, +195, -195, or -300 Vdc) is applied to the fuze. The pilot selects the voltage in flight by the fuze function control set located in the cockpit. The fuze polarity and level of the fuze charging voltage is important only with respect to functioning delay.

Arming is the same in any case. A regulator in the fuze converts the applied voltage to the required level and polarity. It is then applied to the energy storage unit and the 2.6-second timer. If the weapon decelerates, the Mk 31 safety device senses the deceleration and causes the retard switch to close. At 2.6 seconds, the timer completes its cycle and transfers the voltage to the rotor-actuating bellows. The bellows operate and turn the rotor to the armed position.

If the weapon does not decelerate, the retard switch does not close. The 2.6-second timer continues to run. At 3.8 seconds, the Mk 31 safety device causes the voltage to transfer to the input of the rotor-actuating bellows. At 10.0 seconds, the bellows operates and turns the rotor to the armed position.

### **FMU-152/B ELECTRONIC BOMB FUZE**

The FMU-152/B is an advanced fuze system for use in general purpose and penetrating unitary warheads. The FMU-152/B provides safing, in-flight cockpit selection, and multifunction and multiple delay arming and fuzing functions. The FMU-152/B is a multifunction; multiple delay fuze system with hardened target capabilities that provide arming and fuzing functions for general purpose and penetrating, unitary warheads. The FMU-152/B system operates in three fuze mission phases: the “pre-release,” “pre-arm,” and “post-arm” phases. The “pre-release” phase includes all fuze functions performed prior to the point at which the weapon is released from the delivery aircraft. The “pre-arm” phase includes all fuze functions occurring between weapon release and weapon arming. The “post-arm” phase includes all fuze functions after the weapon is armed.

### **FMU-143E/B ELECTRIC TAIL FUZE**

The FMU-143E/B fuze (fig. 1-7) is used with the GBU-24B/B. It is initiated by the FZU-32B/B initiator, which is used to generate and supply power to arm the fuze. The safe condition is verified by the presence of a safety pin or arming wire through the pop-out pin (gag rod).

### **FMU-139 (SERIES) ELECTRONIC BOMB FUZE**

The FMU-139 (series) electronic bomb fuze (fig. 1-8) is an electronic impact or impact-delay fuze. It is used in Mk 80 series general-purpose bombs, including laser-guided bombs. The arming times are in-flight selectable, and the functioning delay must be set during weapon assembly. There are three arming times (2.6,

5.5, and 10.0 seconds) and four functioning delay settings (10, 25, and 60 milliseconds, and instantaneous). Only 2.6/60, 2.6/25, 2.6/10, and 2.6/inst high drag arm/delay switch positions are authorized for Navy/Marine Corps use. The low drag arm time switch should always be in the X position. The low drag arm time rotary switch is positioned at X for shipping, storage, and all FFCS (fuze function control set) use. The FMU-139 fuze differs from the Mk 376 fuze in that the gag rod and arming wire housing are located in the center of the faceplate (fig. 1-9).

### **ARMING SAFETY SWITCH MK 122 MOD 0**

The Mk 122 Mod 0 arming safety switch (fig. 1-10) connects the fuze control circuits of the bomb in the aircraft to the electric fuze circuits in the bomb. This switch provides an open circuit and a RADHAZ shield to prevent electromagnetic radiation from entering the fuze circuits.

While the weapon is loaded, the coaxial cable of the switch is plugged into the receptacle of the aircraft's electrical arming unit. When the bomb is suspended from the rack, the lanyard is attached to a fixture on the rack or pylon. Upon bomb release, the lanyard pulls the lanyard pin and closes the fuze circuit. The lanyard is long enough so the weapon separates from the bomb rack suspension hooks before the lanyard pin is pulled from the switch. This ensures that the fuze does not receive charging voltages in case of weapon release failure. The coaxial cable is longer than the lanyard, which permits sufficient time for the charging voltage to pass from the electrical arming unit on the aircraft to the fuze electric circuits on the bomb before the cable is pulled free or breaks from the arming unit receptacle.

**NOTE:** The Mk 122 Mod 0 switch must be installed and removed in a RADHAZ-free environment.

### **MK 43 MOD 0 TARGET DETECTING DEVICE**

The Mk 43 Mod 0 target-detecting device (fig. 1-11) is a proximity nose element that gives airburst capability for electric-fuzed Mk 80 (series) bombs.

The Mk 43 Mod 0 element is compatible with all electric tail fuzes and is identified by the dark green color of the nose cone. A thermal battery powers its internal circuitry. The thermal battery is initiated by +300 volts dc or by the striker rod.

The Mk 43 is initiated mechanically (striker rod) only when a delay airburst is desired. This is the

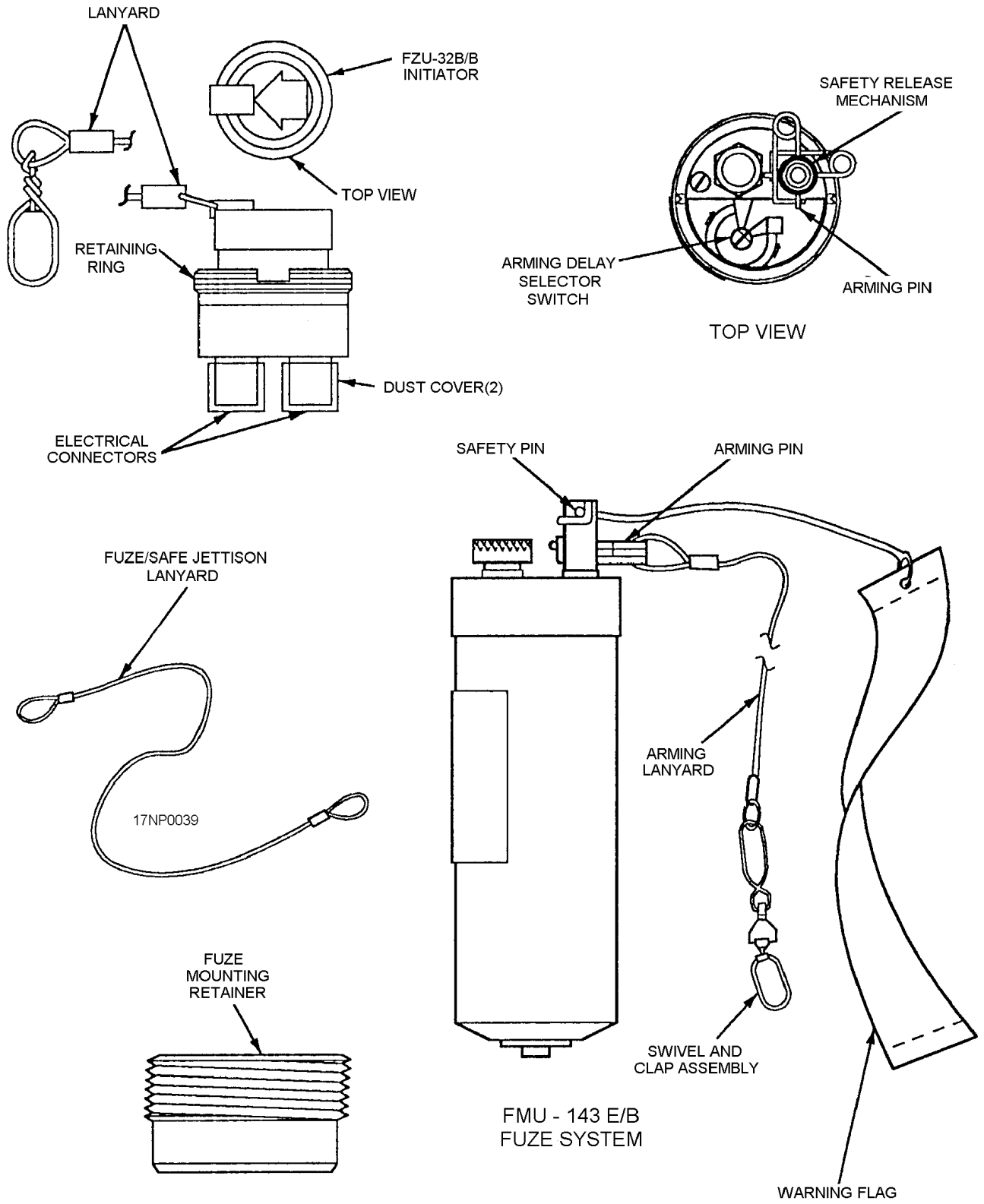


Figure 1-7.—FMU-143E/B electric tail fuze.

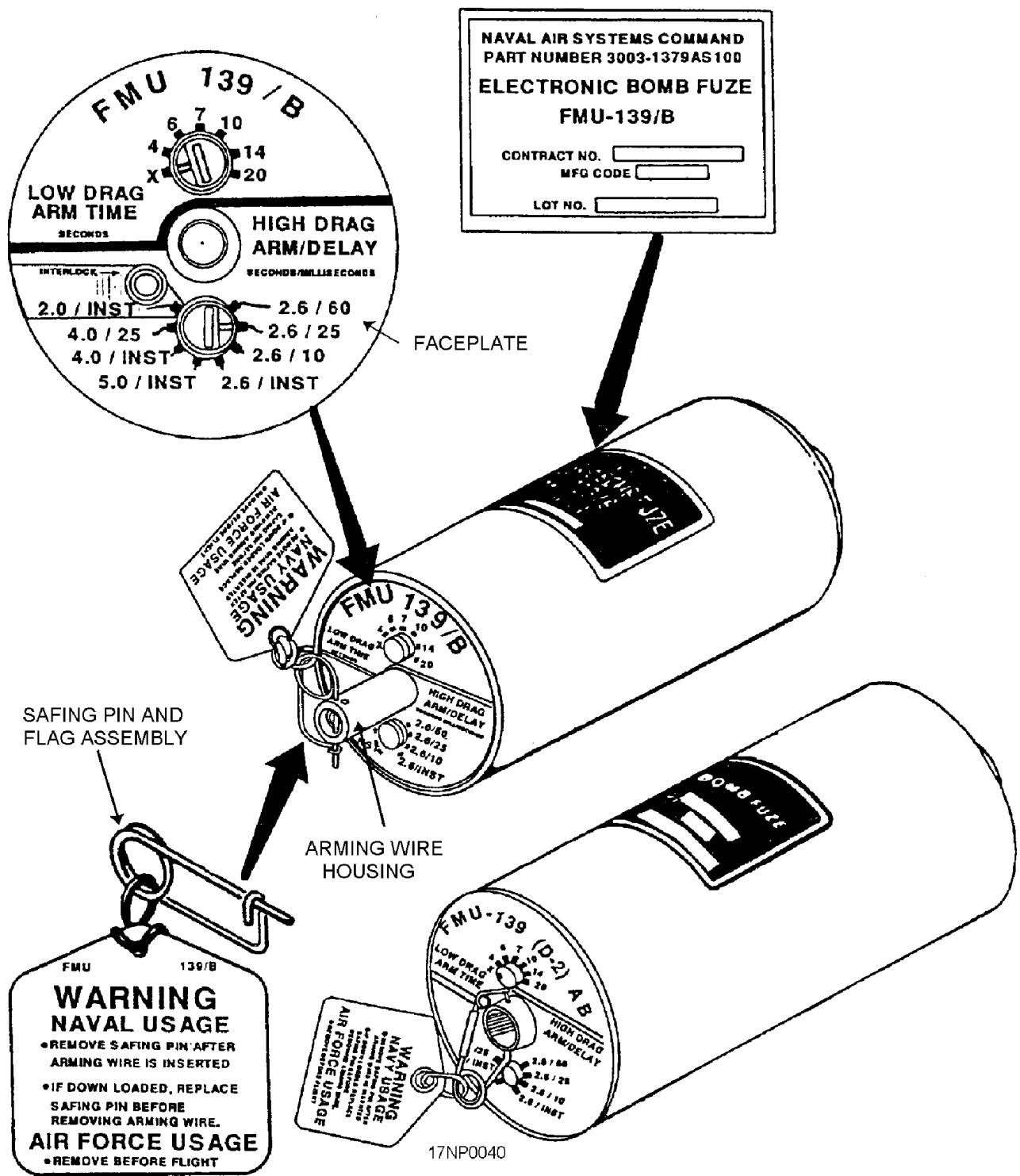
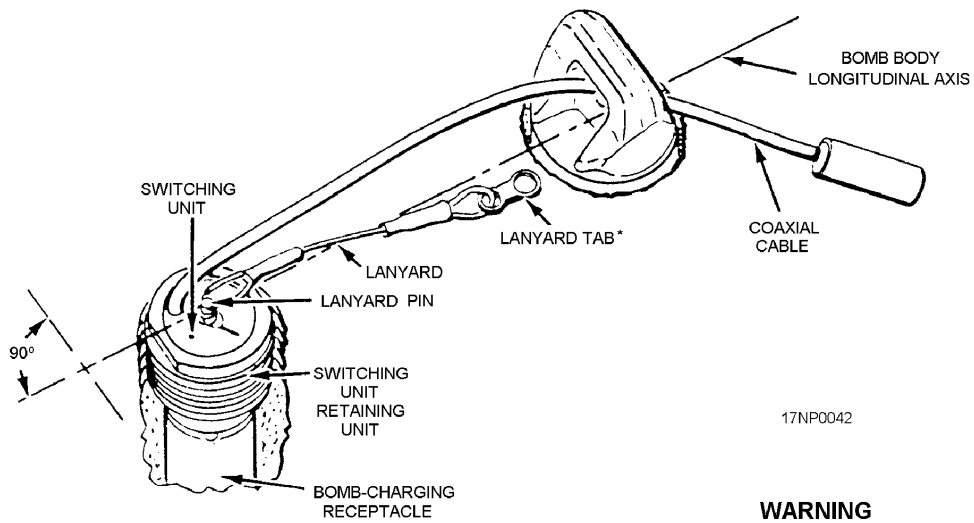


Figure 1-8.—FMU-139 (series) electronic bomb fuze.





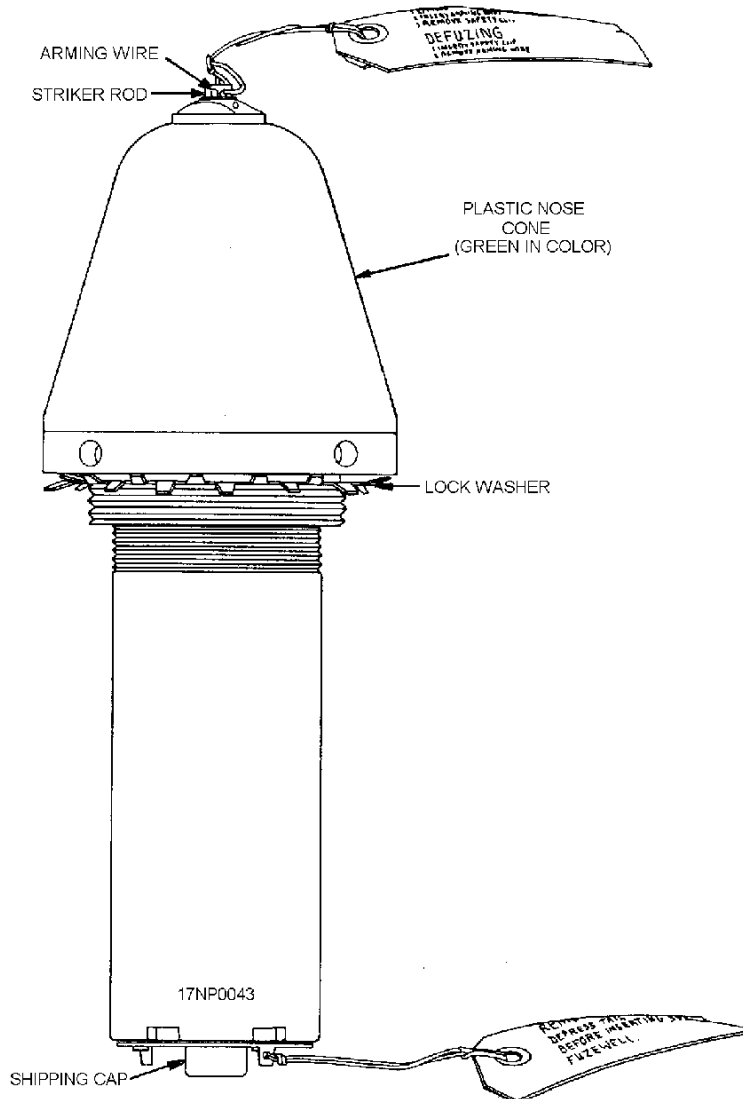


\*NOT PRESENT ON LATER PRODUCTION SWITCHES

**WARNING**

DISCARD ENTIRE MK 122 ARMING SAFETY SWITCH IF LANYARD BREAKS AWAY. DO NOT ATTEMPT TO REPLACE THE LANYARD PIN. DO NOT USE SEPARATED SWITCHES ON A BOMB.

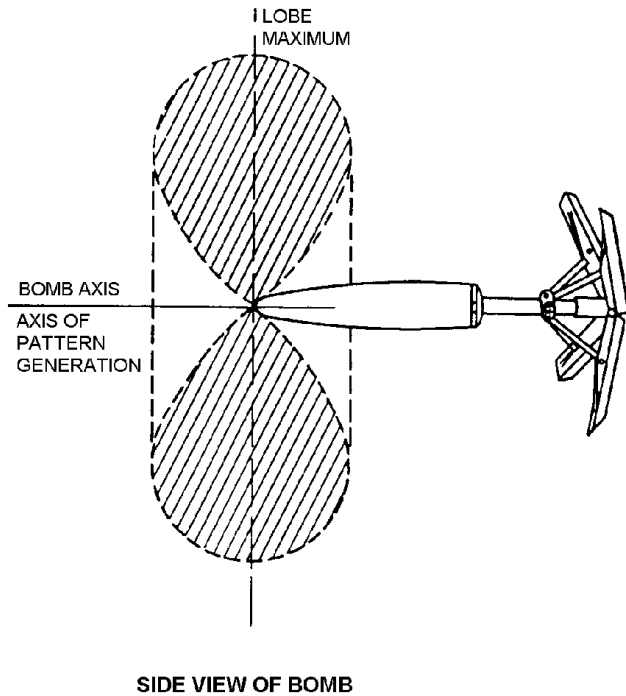
**Figure 1-10.—Mk 122 Mod 0 arming safety switch.**



**Figure 1-11.—Mk 43 Mod 0 target detecting device.**

alternate method used to provide operation when the fuze is not initiated with the +300 volts dc. The conventional mode is selected by initiating the fuze with +300 volts dc. When the fuze is initiated with +300 volts dc, the Mk 43 operates automatically.

The fuze circuitry produces a lobe pattern. It radiates a pattern at right angles (fig. 1-12) to the longitudinal axis of the weapon.



17NP0044

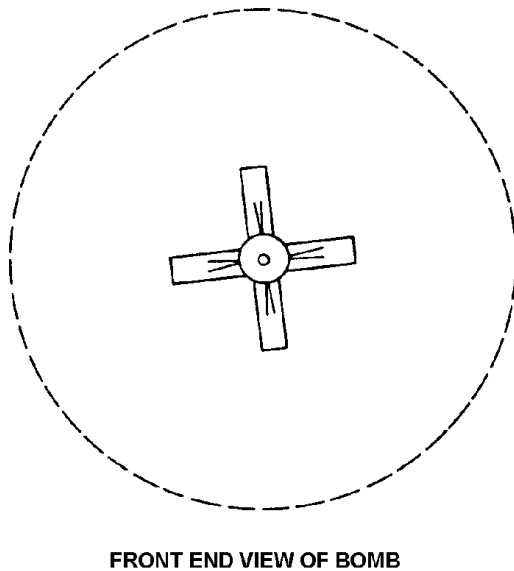


Figure 1-12.—Mk 43 Mod 0 target detecting device antenna pattern.

When the Mk 43 is initiated by the conventional method, fuze functioning occurs instantaneously when a firing pulse is received from the thermal battery. If the alternate method is used (striker rod), the fuze is set for either of the two functioning delays. Detonation of the bomb is delayed by either 0.015 second or 0.100 second, depending on the delay that is selected.

### FMU-140/B DISPENSER PROXIMITY FUZE

The FMU-140/B (fig. 1-13) has an optional arm and fire (timer) mode. It is used with the Rockeye II and Gator weapons. The FMU-140/B is a self-powered doppler radar device acting as a radar altimeter. Arming times and functioning altitudes are variable and are preflight selectable on the fuze faceplate, located on the side of the fuze. In the proximity mode, if the preselected altitude is reached before the fuze has had time to arm, or the dispenser is released below the pre-selected altitude, the fuze will have the potential to function anytime after arming. If the fuze has not functioned by the time it reaches an altitude of  $300 \pm 25$  feet, it will function at that time.

### REVIEW NUMBER 4

- Q1. All electric capability for Mk 80 with either conical or retarding fins, thermally protected bombs, and laser-guided bombs is provided by \_\_\_\_\_.*
- Q2. No unusual RADHAZ precautions are taken when using the Mk 376 fuze because it is classified as \_\_\_\_\_.*

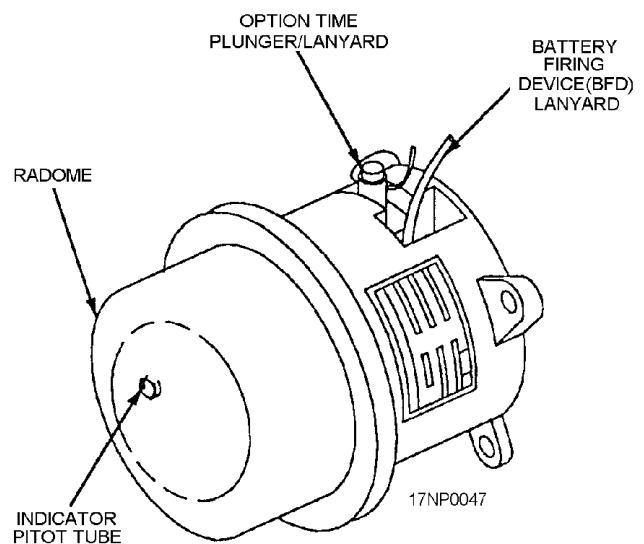


Figure 1-13.—FMU-140/B dispenser proximity fuze.

- Q3. *Name the electric fuzes that are used for retarded delivery of the Mk 80 (series) bomb.*
- Q4. *List the functions of the Mk 31 safety device.*
- Q5. *What is the purpose of the Mk 122 Mod 0 arming safety switch?*
- Q6. *What is the purpose of the Mk 43 Mod 0 target-detecting device?*
- Q7. *What is used to power the internal circuitry of the TDD?*

## **AIRCRAFT BOMB AMMUNITION AND ASSOCIATED COMPONENTS**

**LEARNING OBJECTIVE:** *Identify the purpose and types of aircraft bombs, the safety procedures to be followed during bomb shipment, and the methods used to carry bombs.*

Aircraft bombs are released over enemy targets to reduce and neutralize the enemy's war potential. This is done by destructive explosion, fire, nuclear reaction, and war gases. Aircraft bomb ammunition is used strategically to destroy installations, armament, and personnel; and tactically in direct support of our land, sea, and air forces engaged in offensive or defensive operations.

For safety reasons, some bomb ammunition is shipped and stowed without the fuzes or arming assemblies and associated components installed. This ammunition must be assembled before use. Other types, such as cluster bomb units (CBUs), are shipped and stowed as complete assemblies, with fuzes or arming assemblies and associated components installed.

Bombs are designed to be carried either in the bomb bay of aircraft or externally under the wings or fuselage. The general characteristics and basic principles of operation of bomb ammunition and its associated components are described in this chapter. Bomb assembly procedures are discussed in chapter 13 of this manual.

### **GENERAL-PURPOSE BOMBS AND FIN ASSEMBLIES**

**LEARNING OBJECTIVE:** *Identify the purpose and use of general-purpose bombs to include shipping configuration, fuze wells and charging circuits, suspension lugs, arming wire assemblies, and fin assemblies.*

Low-drag, general-purpose (LDGP) bombs are used in most bombing operations. Their cases (bomb body) are aerodynamically designed, relatively light, and approximately 45 percent of their weight are made of explosives. General-purpose bombs may use both nose and tail mechanical or electric fuzes and conical or Snakeye fins.

The general-purpose bombs currently in use are the LDGP Mk 80 (series). The specifications for the individual bombs are listed in fig 1-14. The basic difference between the bombs listed in fig 1-14 is their size and weight. The following description of the Mk 80 (series) bomb is applicable to all bombs within the Mk 80 (series) unless otherwise noted.

### **SHIPPING CONFIGURATION**

The bomb body (fig. 1-15) is shipped with a plastic plug installed in the nose and tail fuze well to prevent damage to the internal threads and to keep out moisture. The aft end of the bomb body has a metal shipping cap installed. Plastic lug caps are installed in the suspension lug wells, and a plastic plug is installed in the fuze-charging receptacle well. Some bombs contain a hoisting lug packaged in the tail fuze well.

Bombs are shipped on metal pallets. The number of bombs loaded on each pallet depends on the bomb size. For example, six Mk 82 bombs can be shipped on a pallet, three Mk 83 bombs can be shipped on a pallet, and two Mk 84 bombs can be shipped on a pallet. Refer to *Airborne Weapons Packaging/Handling/Stowage*, NAVAIR 11-120A-1.1 or appropriate MIL-STD for more information on shipping configurations.

### **FUZE WELLS**

The bomb body is designed with a nose and tail fuze well. These wells are internally threaded to receive either mechanical or electric fuzes.

### **FUZE CHARGING CIRCUIT**

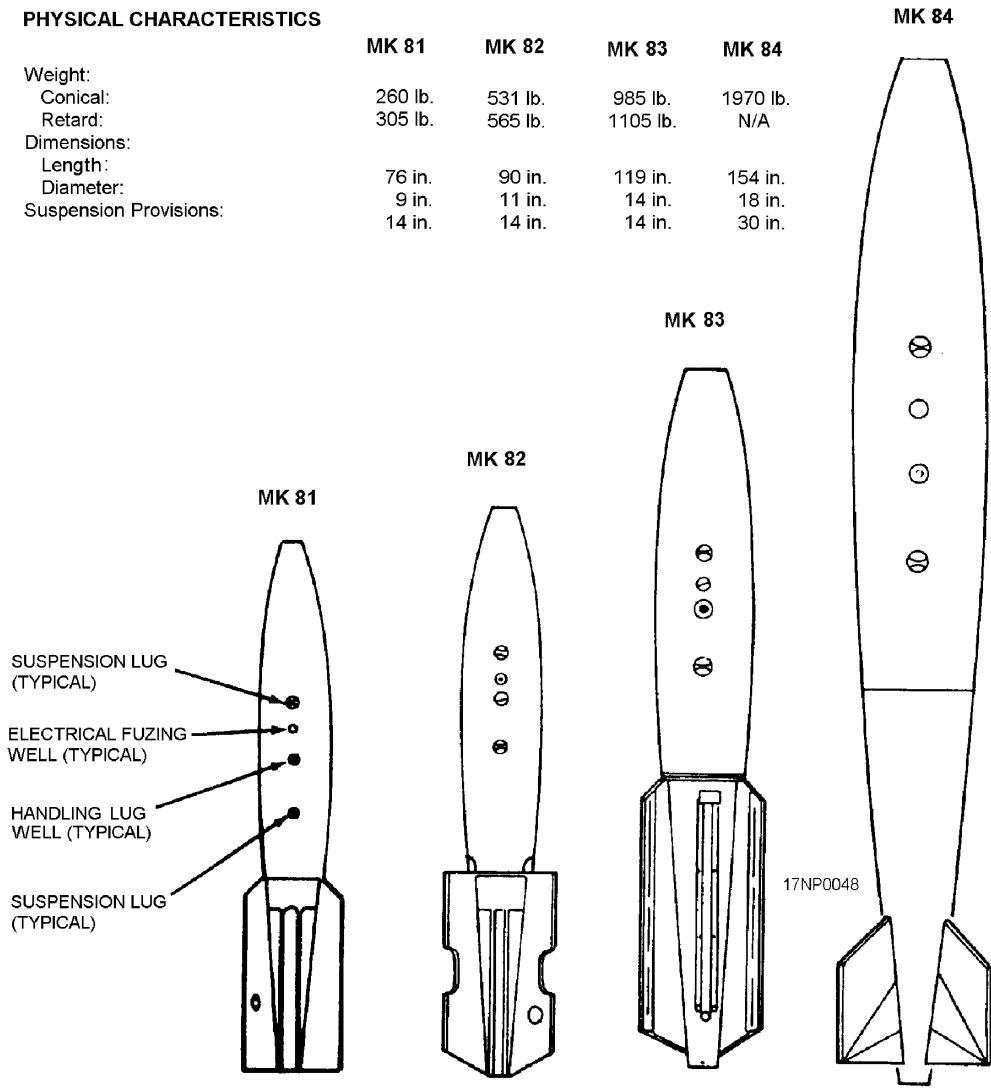
The forward and aft charging tubes are installed at the factory and contain the electric fuze wire harness. When electric fuzing is used, the wire harness provides a path for the charging current from the fuze-charging receptacle to the forward and aft fuze wells.

### **SUSPENSION LUGS**

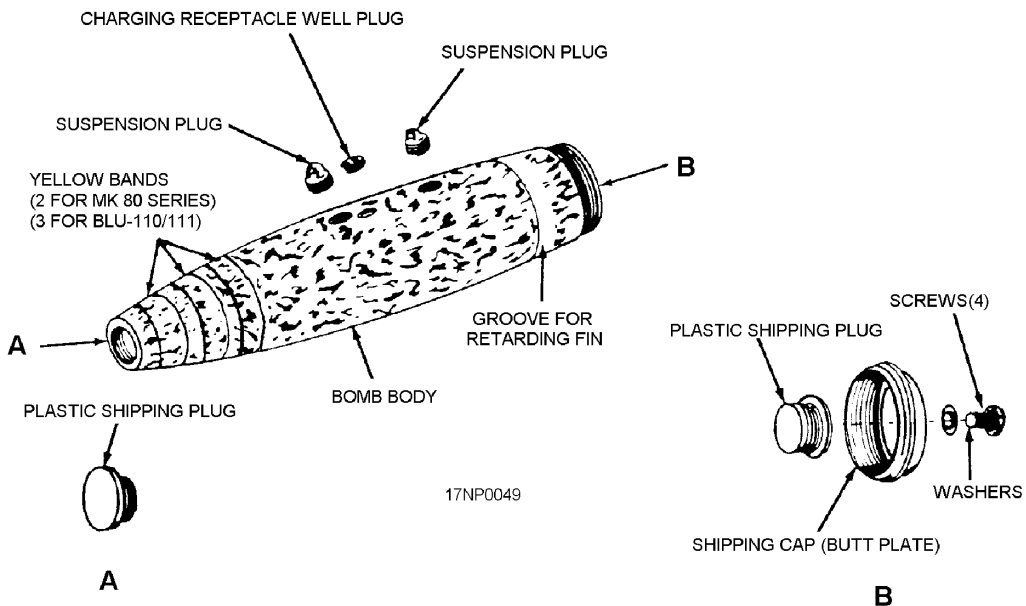
There are two suspension lug wells for the installation of suspension lugs. The suspension lugs are

**PHYSICAL CHARACTERISTICS**

	MK 81	MK 82	MK 83	MK 84
Weight:				
Conical:	260 lb.	531 lb.	985 lb.	1970 lb.
Retard:	305 lb.	565 lb.	1105 lb.	N/A
Dimensions:				
Length:	76 in.	90 in.	119 in.	154 in.
Diameter:	9 in.	11 in.	14 in.	18 in.
Suspension Provisions:	14 in.	14 in.	14 in.	30 in.



**Figure 1-14.—Specifications for general-purpose bombs.**



**Figure 1-15.—LDGP bomb Mk 80 (series)—exploded view (shipping configuration).**

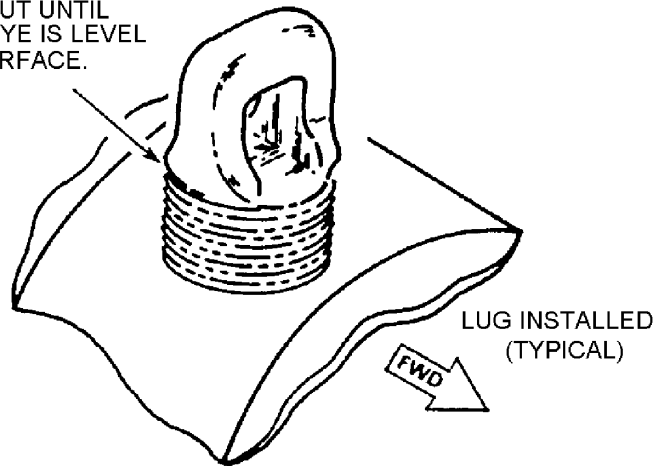
spaced 14 or 30 inches apart, depending upon the size of the bomb. Suspension lugs (fig. 1-16) are used to attach the weapon to the aircraft bomb racks. An internally threaded well for the installation of a hoisting lug is located between the suspension lugs, at the center-of-gravity (CG) position on the bomb. The hoisting lug is used for handling purposes only.

**REVIEW NUMBER 4 ANSWERS**

- A1. All electric capability for Mk 80 with either conical or retarding fins, thermally protected bombs, and laser-guided bombs is provided by the Mk 376 electric bomb fuzes.
- A2. No unusual RADHAZ precautions are taken when using the Mk 376 fuze because it is classified as HERO SAFE.

- A3. The Mk 376 electric fuze and FMU 139 are used for retarded delivery of the Mk 80 (series) bomb.
- A4. The functions of the Mk 31 safety device are to adapt the fuze to the fuze well of the bomb, mechanically safe the fuze, and to unlock the timer-decelerometer.
- A5. The Mk 122 Mod 0 arming safety switch is used to open a circuit and provide a RADHAZ shield to prevent electromagnetic radiation from entering the fuze circuits.
- A6. The Mk 43 Mod 0 target-detecting device is used to provide airburst capability for electrically fuzed Mk 80 bombs.
- A7. A thermal battery, initiated by a +300 volts dc or striker rod, is used to power the internal circuitry of the TDD.

BACK EACH LUG OUT UNTIL BOTTOM OF LUG EYE IS LEVEL WITH WEAPON SURFACE.



17NP0050

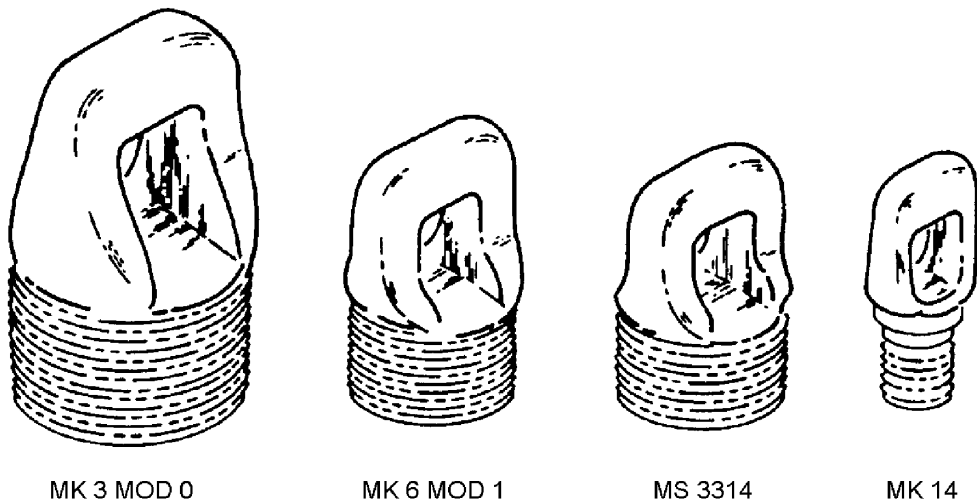


Figure 1-16.—Suspension lug installation.

## NOSE PLUGS

There are two basic nose plugs (fig. 1-17) used in general purpose bombs, the solid nose plug (MXU-735/B and MXU-735A/B) and the ogive nose plug. The ogive nose plug provides a pointed arch. A support cup is used in the nose well with the ogive nose plug to provide a solid structure to the bomb. The MXU-735 solid nose plug is designed to provide better penetration of hard targets, without the likelihood of nose plug shearing during oblique impact. The MXU-735 replaces the ogive nose plug and support cup.

## IDENTIFICATION

The high-explosive filler of the bomb (H-6) is identified by the yellow stenciled nomenclature on the bomb body and yellow band(s) around the nose. The lot number is stenciled in white ink on the forward end of the bomb. All Mk 80 (series) general-purpose bombs currently being used aboard ships are required to be thermally protected. Thermally protected Mk 80 series bombs can be identified by the words THERMALLY PROTECTED in the identification legend, a bumpy exterior surface, and two yellow bands around the nose.

## ARMING WIRE ASSEMBLIES

Arming wire assemblies (fig. 1-18) are used for arming procedures during ordnance evolutions. The primary function of arming wire assemblies is to maintain ordnance components in a safe condition until actual release of the bomb from the aircraft.

Normally, the wires consist of one or two brass or steel metal strands attached to a swivel loop. Safety Fahnstock clips (fig. 1-18) or safety clips, MAU 166, are attached to the ends of the arming wires after installation. They prevent premature or accidental withdrawal of the arming wires from the component.

**NOTE:** Safety clips are used vice Fahnstock clips unless otherwise specified.

Normally, arming wire assemblies are shipped in spiral-wound fiber tubes, over packed in a wooden box. Generally, the safety Fahnstock clips are packed in the tubes with the arming wires. The most commonly used arming wire assemblies are listed in table 1-3.

Arming wire installation procedures are discussed in the TRAMAN where the use of arming wire assemblies is required.

## FIN ASSEMBLIES

Fin assemblies, used with the Mk 80 (series) LDGP bombs, provide stability to the bomb. They cause the bomb to fall in a smooth, definite curve to the target, instead of tumbling through the air.

The fin assemblies, except the MAU-91A/B, are shipped on metal pallets. Each individual fin is crated in a lightweight, disposable metal crate (fig. 1-19). Some fin assemblies are shipped with bomb lugs attached to the shipping crate, depending upon the particular Navy Ammunition Logistics Code (NALC).

Two types of fins are described in this part of the TRAMAN—conical and Snakeye. The conical fin is

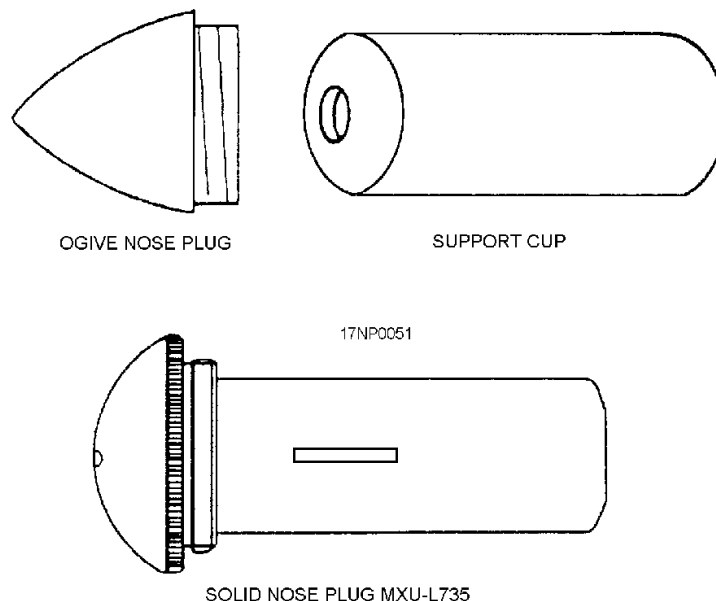


Figure 1-17.—Nose plugs.

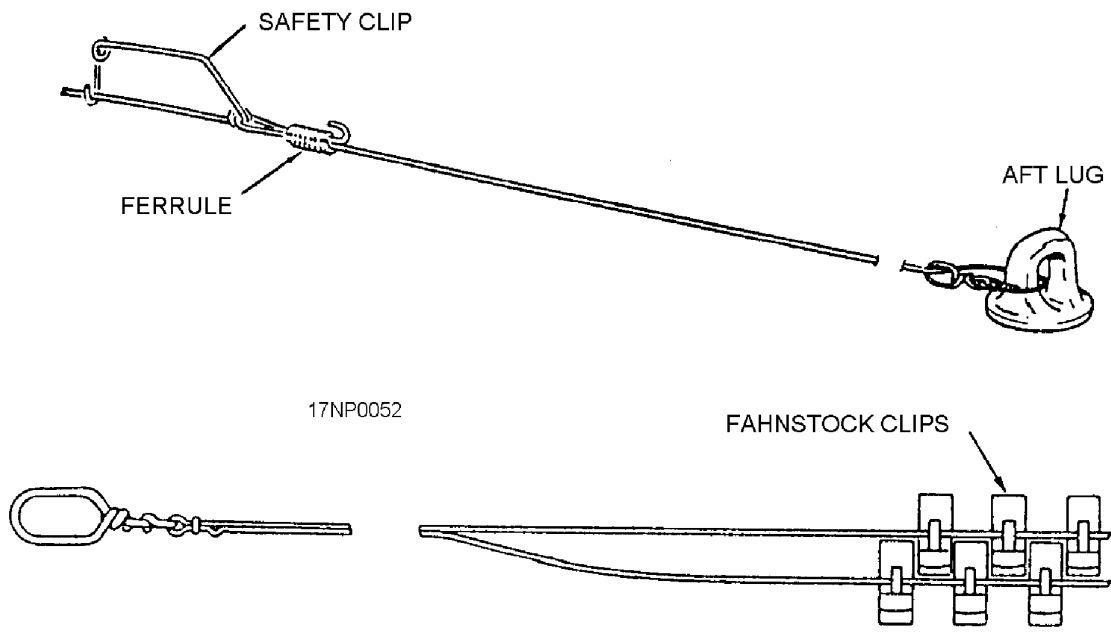
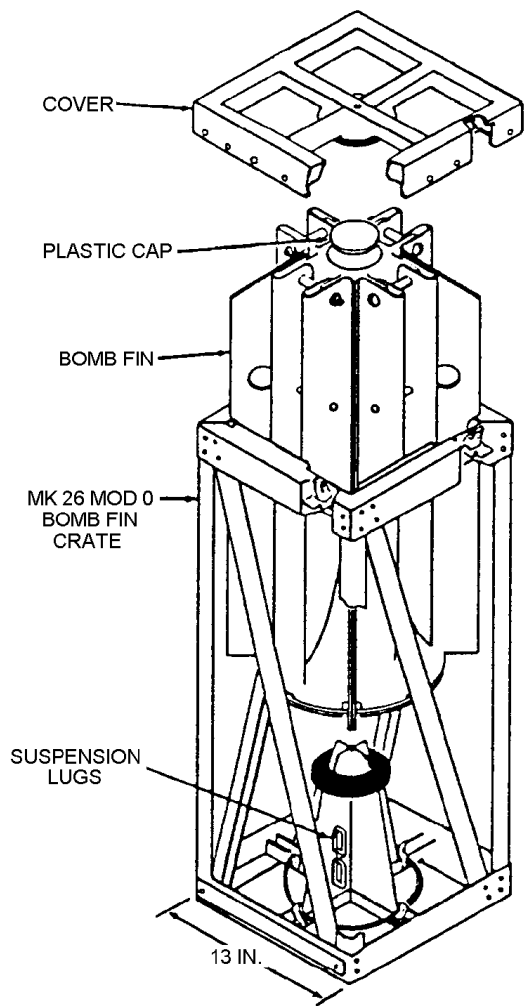


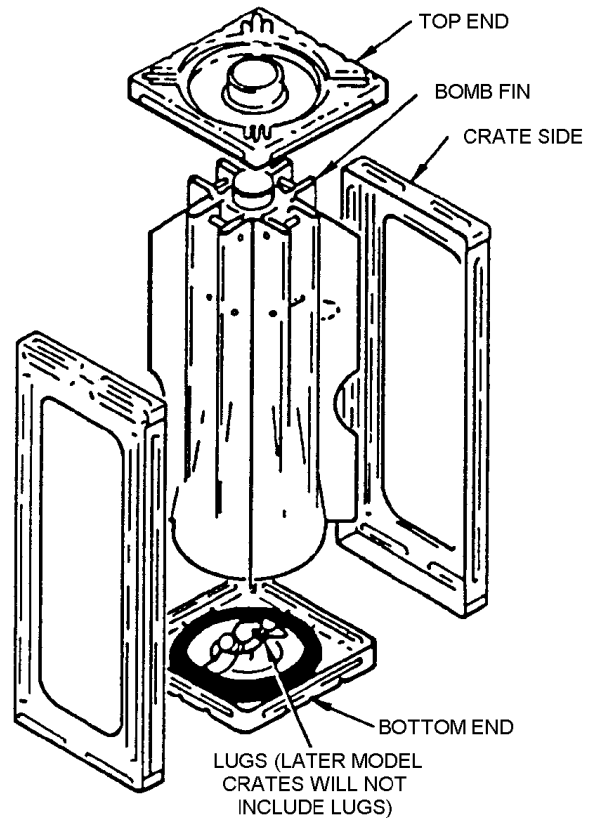
Figure 1-18.—Arming wire assemblies.

Table 1-3.—Arming Wire Data

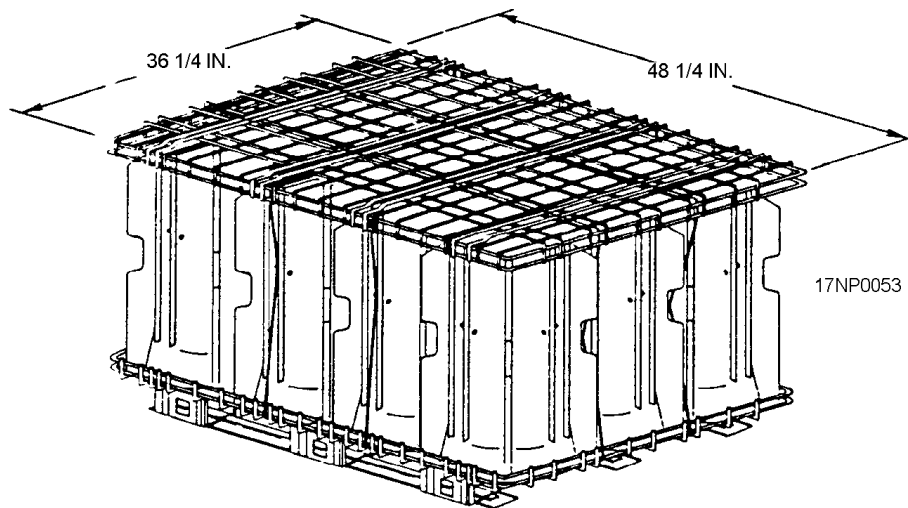
Arming Wires/Hardware	Type	Material	Dia. (in.)	Leg Lengths (in.)
Mk 1 Mod 0	Single	Brass	0.064	57.0
Mk 2 Mod 0	Double	Brass	0.064	57.0
Mk 3 Mod 0	Single	Steel	0.032	57.0
Mk 4 Mod 0	Double	Brass	0.064	96.0
Mk 9 Mod 0	Single	Brass	0.064	90.0
MAU-166 Swivel & Loop Assy only	Arming Wire Accessory Kit			
Arming Adapter Self Adjusting				



**FIN CRATE MK 26 MOD 0**



**FIN CRATE MK 28 MOD 0**



**ADAPTER PALLET, ADU-383/E**

**Figure 1-19.—Fin shipping configurations.**



used for the unretarded mode of delivery, and the Snakeye fin assembly can be used for either the unretarded or retarded mode of delivery.

### Conical Fin

The typical BSU-33 conical fin assembly (fig. 1-20) is steel, conical in shape, and has four fins to provide stability. Access covers, attached by quick-release screws, are located on the sides of the fin body, providing access for dearming and inspections. There is a drilled or punched hole at the top and bottom of the forward end of the fin body. This hole is used to install an arming wire when the bomb is being configured for electric tail fuzing. The fin is attached to the aft end of the bomb, and is secured in place by

tightening the fin setscrews into the V-groove of the bomb.

The conical fin may be used with all Mk 80 (series) bombs. The basic difference between the types of conical fins is their physical size, the larger the bomb, and the larger the fin.

### Snakeye Fin Assemblies

Snakeye fin assemblies are used with the Mk 82 LDGP bombs. They are capable of delivering bombs at high speed and low altitude without the danger of damaging the aircraft from ricocheting bombs or fragments. A physical description of both fin assemblies and the principles of operation are discussed in the following paragraphs.

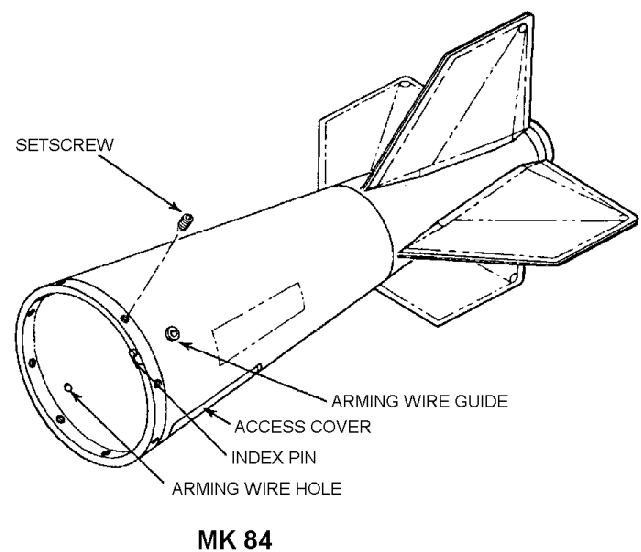
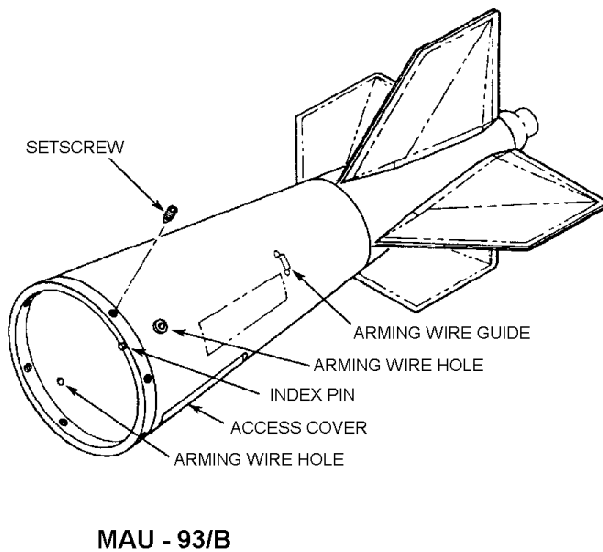
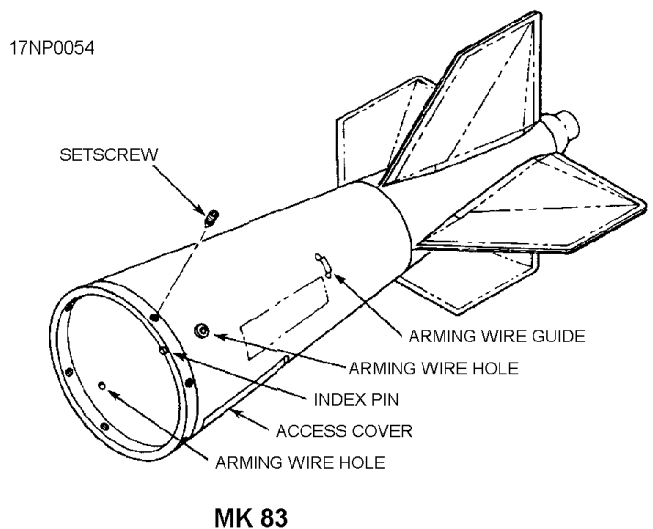
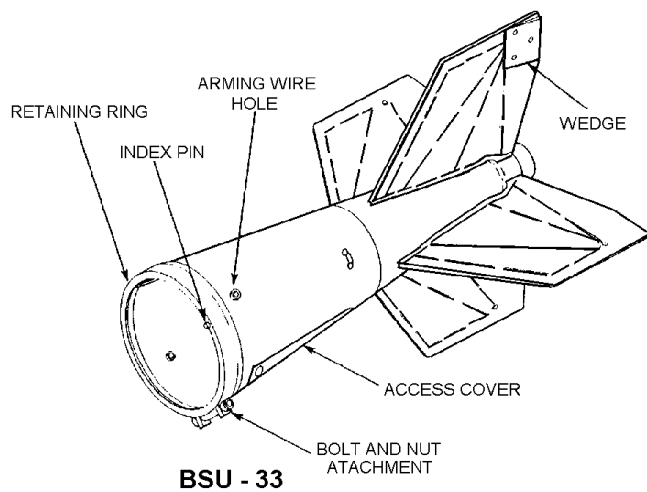


Figure 1-20.—Typical fin assemblies.

**MK 15 AND MODS SNAKEYE FIN ASSEMBLY.**—The Mk 15 bomb fin assembly (fig. 1-21) is a retarding fin. It is used with the 500-pound LDGP, Mk 82 bombs. The fin assembly presents a low-drag configuration when dropped in the unretarded position and a high-drag configuration when in the retarded position.

The fin support tube is the main structure of the fin. It provides a means of attaching the fin assembly to the bomb. Eight setscrews (fig. 1-22) attach the fin.

The crushing of a convoluted steel tube absorbs the shock. The fin support tube has a fuze-mounting ring for attaching the tail drive of a mechanical tail fuze.

The fins are spring-loaded and secured in the closed position by a spring-loaded release band. The release band lever (fig. 1-22) is prevented from opening by a cotter pin, which stays installed until an arming wire is installed. The fin assemblies have drilled holes at the top and bottom of the forward end for installation of arming wires when the weapon is being configured for electric tail fuzeing.

**MAU-91A/B FIN ASSEMBLY.**—The MAU-91A/B fin assembly (fig. 1-23) is a retarded tail fin used with the 1,000-pound LDGP bomb Mk 83 and Mods. This fin assembly can be dropped in either the retarded or unretarded position.

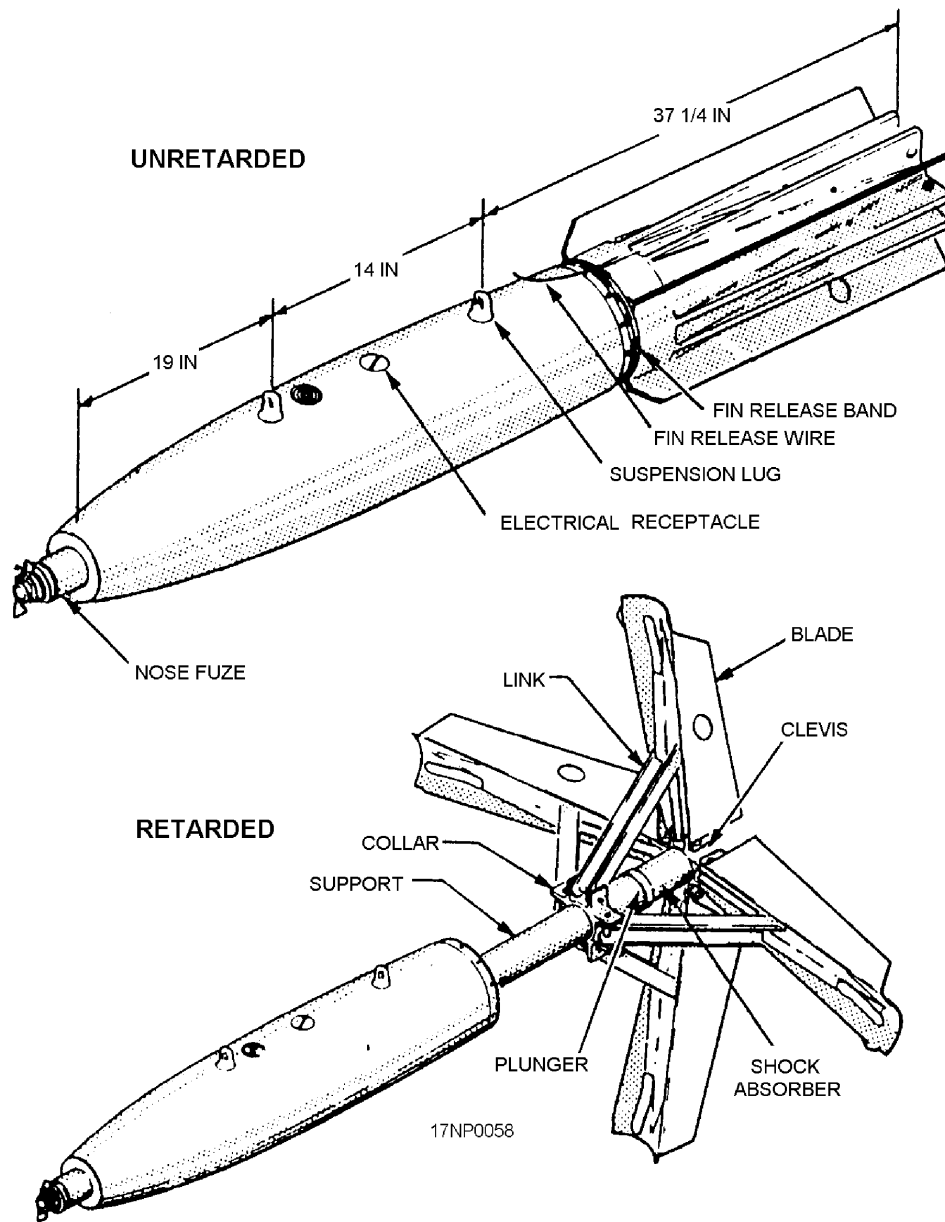


Figure 1-21.—Mk 15 fin with Mk 82 bomb body.

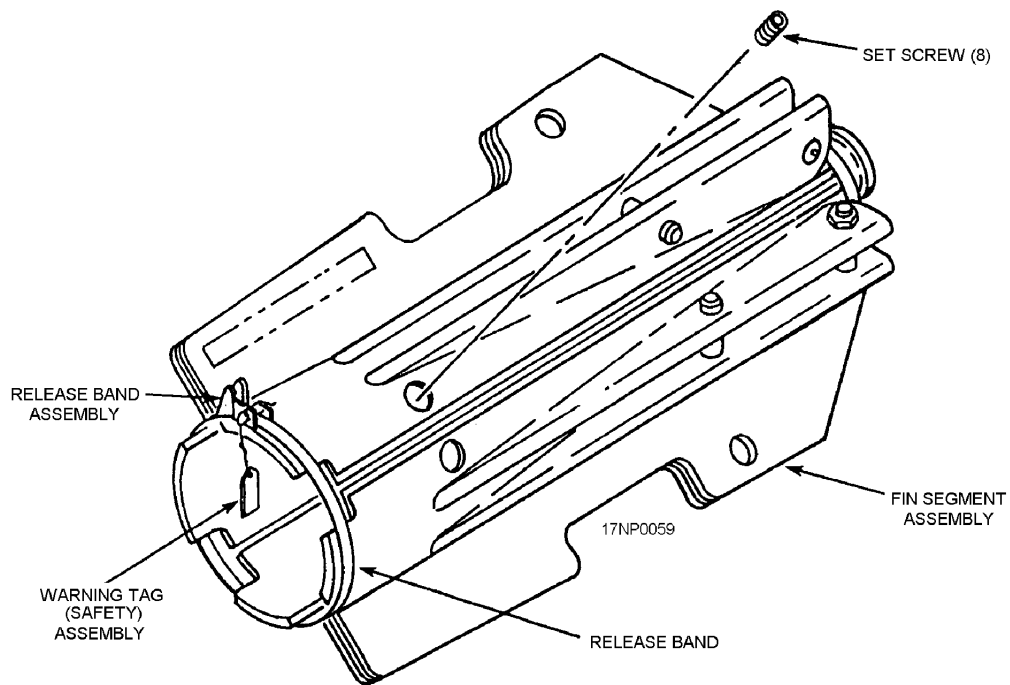


Figure 1-22.—Fin release band for Mk 15 fin.

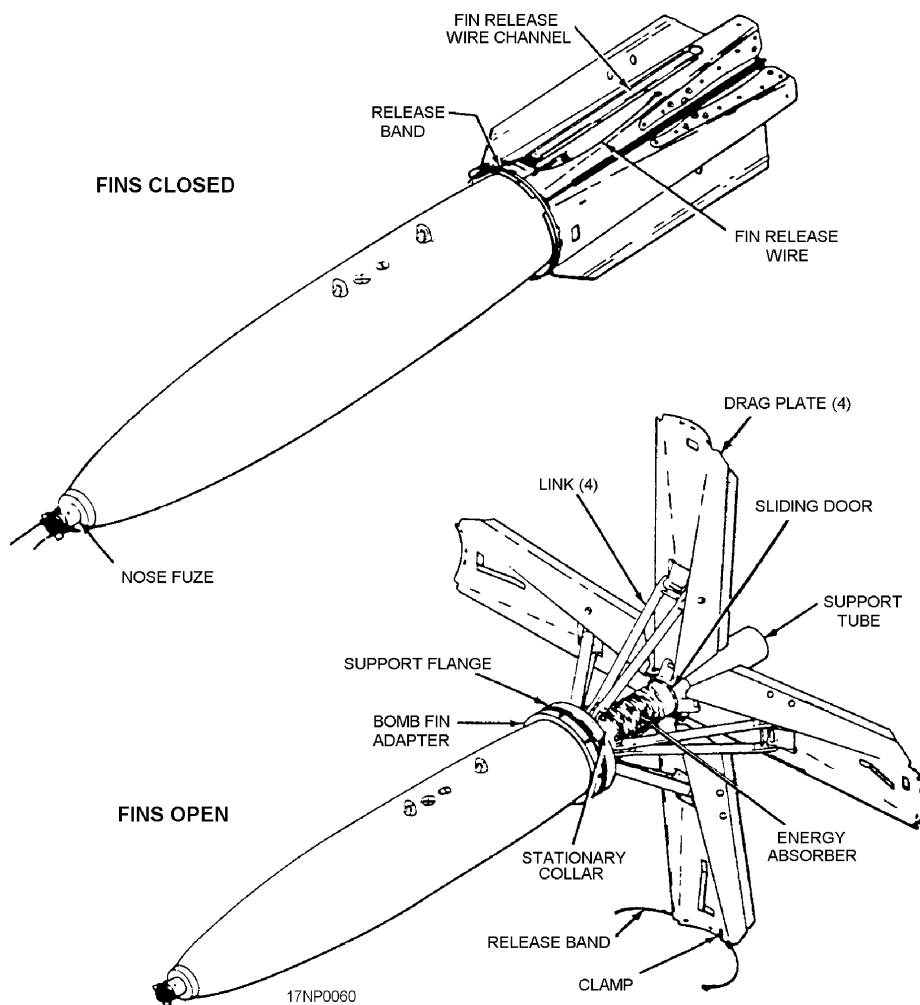


Figure 1-23.—Typical MAU-91A/B fin with ADU-320/B adapter on Mk 83 bomb body.

The MAU-91 fin consists of four folding drag plates with links, a support flange, and a support tube. An energy absorber, made of aluminum honeycomb tubing, is located on the support tube between the stationary collar and the sliding collar. The sliding collar is driven against the energy absorber, causing it to compress and deform. A channel located on the top drag plate holds the fin release wire until it is pulled out at bomb release. The drag plates are held in the closed position by a release band that is secured by a fin release wire pin located in the latch of the release band. The band tabs fit into slots located near the end of each drag plate. The band is securely attached to the bottom drag plate by a stainless steel clamp, which prevents damage from the band striking the aircraft after release.

Fin adapter ADU-320/B attaches the MAU-91 fins to the Mk 83 bomb. The adapter is secured to the aft end of the bomb by eight setscrews. The fin support flange has eight teeth that mate to ears on the fin adapter. A garter spring is forced into the gap between the flange teeth and the adapter, making sure that the teeth fit tightly against the ears. Two locking pins, which fit through matching holes in the flange and adapter, prevent rotation of the fin.

The MAU-91 fin assembly is shipped in a wooden shipping and storage container. Included in the container are eight suspension lugs, one spare garter spring, and a spare locking pin.

### **Principles of Operation**

There are three modes of delivery available for the Snakeye fin assembly. They are retarded, unretarded, and in-flight selection (pilot option) of either mode.

**RETARDED MODE.**—In the retarded mode of delivery, the fins open to retard or slowdown the weapon. Since the aircraft and the weapon are traveling at the same speed when the weapon is released, the weapon and the aircraft arrive at the target at the same time. During low-level bombing, the aircraft could be damaged; therefore, the retarded mode of delivery is used during low-level bombing.

The fin assembly is positively armed in the retarded configuration. In this configuration, the fin release arming wire is looped over a permanent structure on the bomb rack. As the weapon is released from the aircraft, the arming wire is pulled from the fin release band, and the spring-loaded fins pop open. The fins are forced to the full-open position by the air stream, which causes the weapon to rapidly decelerate and allows the releasing aircraft sufficient time to safely clear the target area.

**UNRETARDED MODE.**—In the unretarded mode of delivery, the weapon is released from the aircraft, and the fins remain in the closed position. The weapon free falls to the target. In the unretarded mode of delivery (without pilot option), the cotter/safety pin installed in the fin release band is not removed or replaced with an arming wire. However, the safety tag that reads REMOVE BEFORE FLIGHT is removed.

**IN-FLIGHT SELECTION.**—The most frequently used mode for delivery is the in-flight selection (pilot option) mode. The pilot can drop the weapon in the retarded or unretarded mode. This is possible by connecting the swivel loop of the fin release arming wire to the tail arming solenoid of the bomb rack. If the pilot energizes the arming solenoid upon weapon release, the arming wire remains connected to the arming solenoid and is pulled from the fin release band at weapon release, which allows the fins to pop open and results in a retarded delivery. If the pilot does not energize the arming solenoid upon weapon release, the arming wire is pulled free of the arming solenoid. This allows it to remain in the fin release band, preventing the fins from opening, which results in an unretarded delivery.

### **BSU-85/B Air Inflatable Retarder**

The BSU-85/B bomb fin attaches to the Mk 83 general-purpose bomb. It is an air-inflatable retarder designed for very low altitudes. It can be dropped in either high-drag (retarded) or low-drag (unretarded) mode (fig. 1-24). The BSU-85/B fin

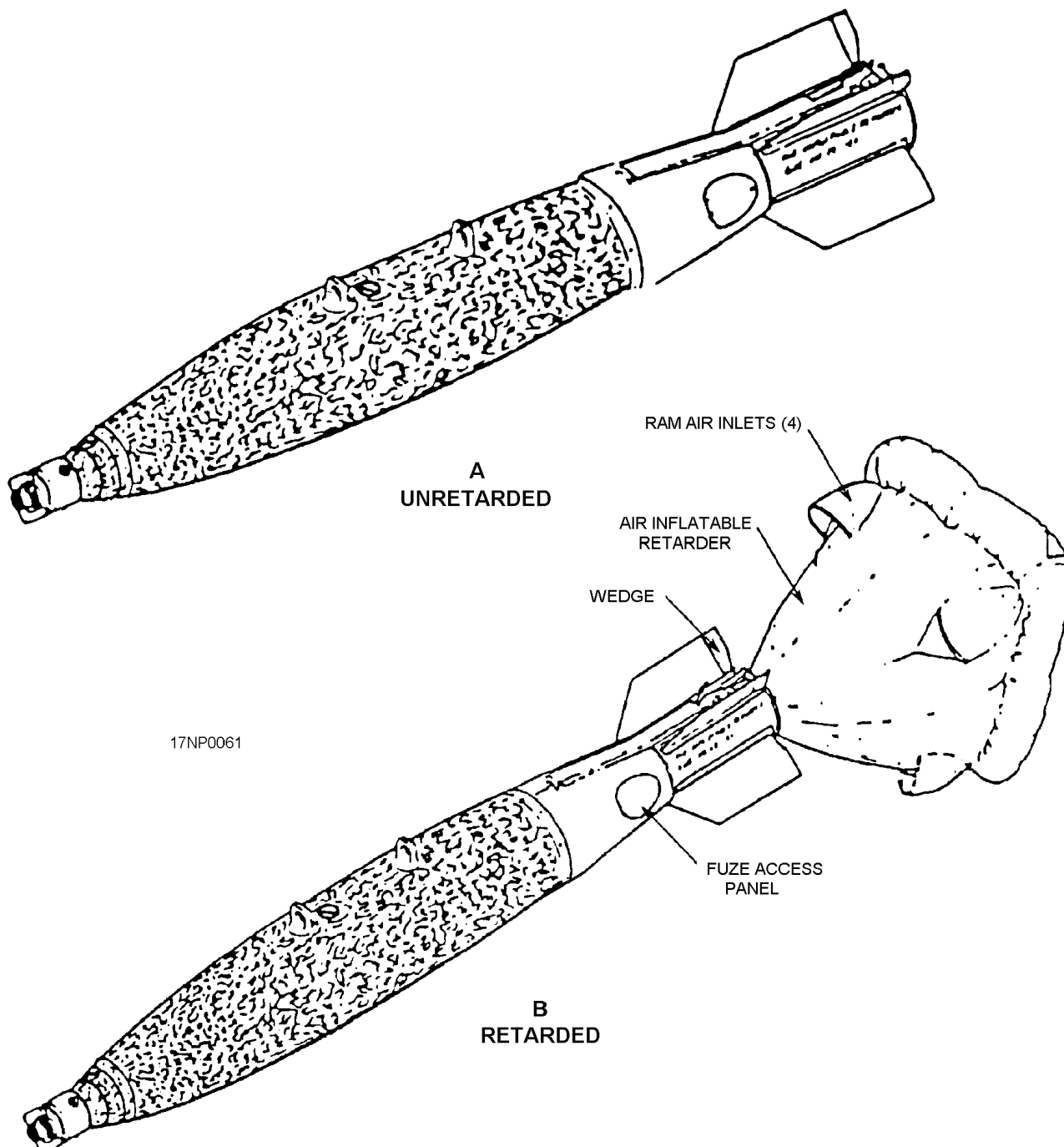


Figure 1-24.—Typical BSU-85/B air-inflatable retardable fin with high and low drag configurations.

(fig. 1-25) attaches to the bomb body by eight setscrews. It is a self-contained unit that consists of a stabilizer assembly (canister housing) with four fixed fins (X-shaped) and a lanyard assembly (fig. 1-25, views A and B). The four fixed fins provide low-drag

aerodynamic stability. The wedges installed on the trailing edges provide stabilizing spin during a low-drag and high-drag release. When stored in its original shipping/storage container, its shelf life is 10 years.

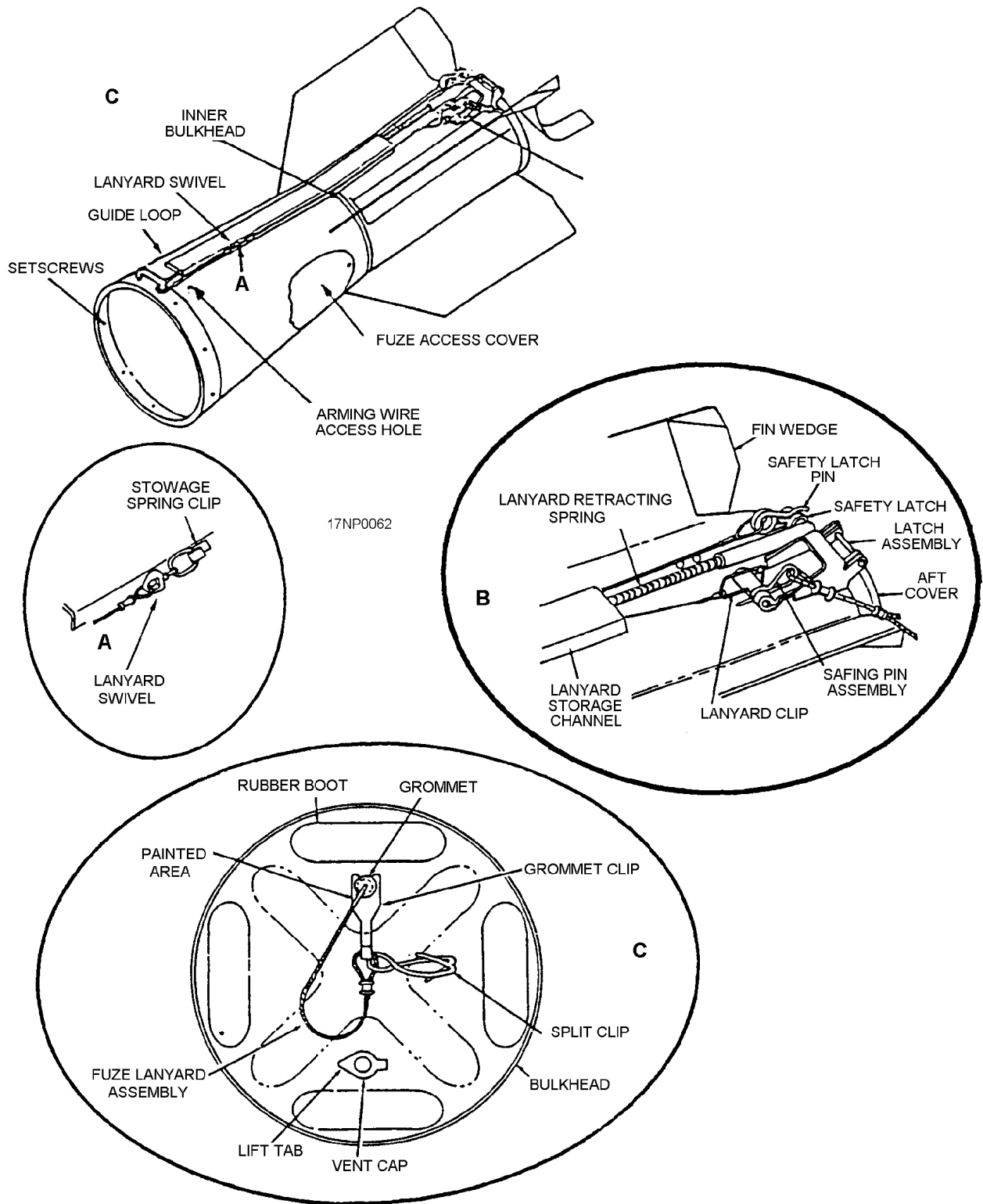


Figure 1-25.—BSU-85/B air-inflatable retarded fin (top and rear view).

## BSU-86/B Bomb Fin

The BSU-86/B bomb fin is used with general-purpose bombs, Mk 82 Mods, or the practice bomb BDU-45/B (fig. 1-26). The fin provides a retarded (high-drag) or unretarded (low-drag) bomb delivery capability for the aircraft. The BSU-86/B fin is

attached to the Mk 82 or BDU-45/B bomb by eight setscrews. A 25-degree wedge is located at the tips of each fin to impart spin. The air stream drives the fin open rapidly, when the MAU-199/B spring arming wire (SAW) is activated. The spring load under each fin blade initiates fin opening.

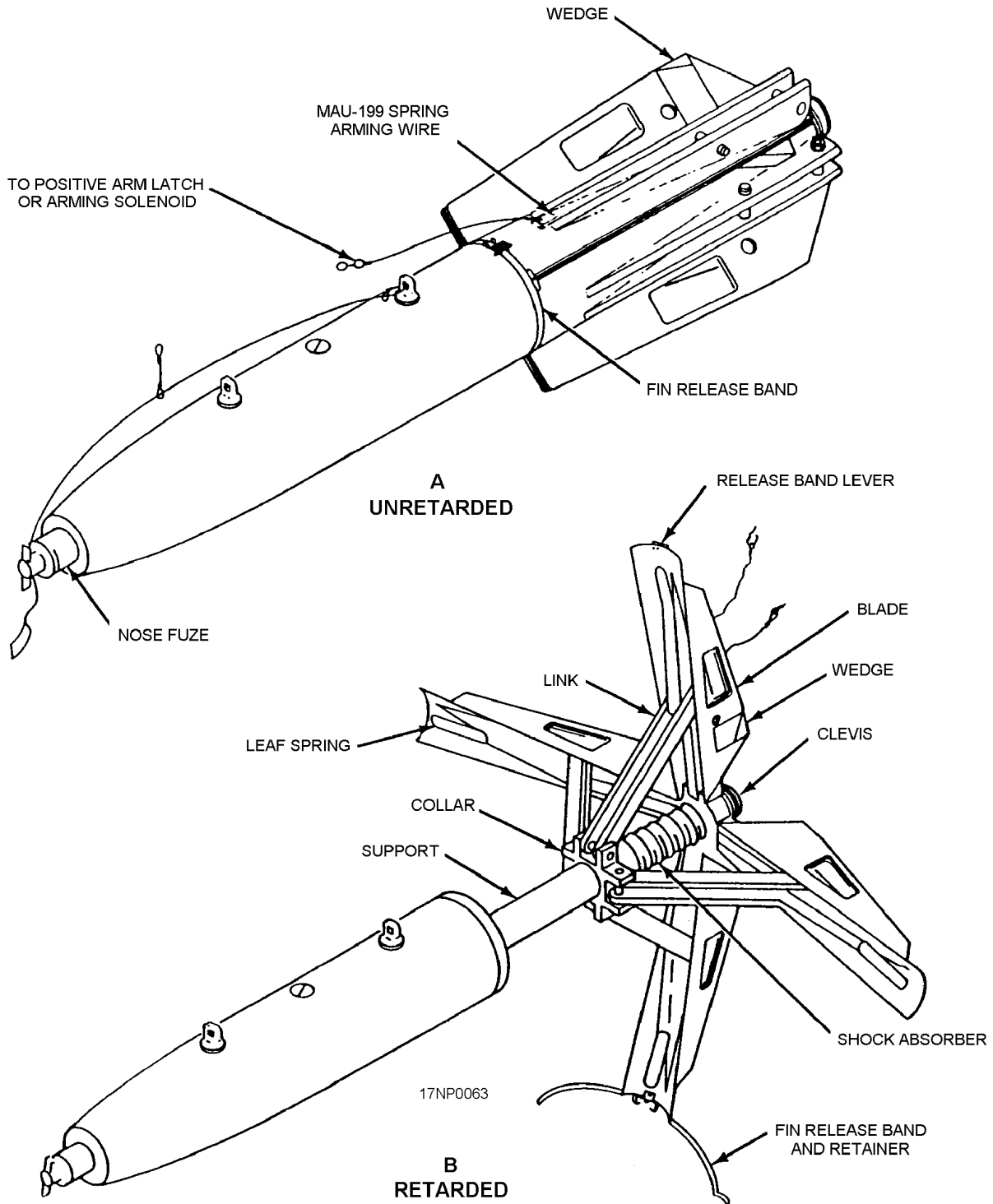


Figure 1-26.—BSU-86/B fin with Mk 82 bomb.

## REVIEW NUMBER 5

- Q1. What type of bomb is used in most bombing operations?
- Q2. Name the type of pallets on which bombs are shipped.
- Q3. The Mk 15 fin is used with the \_\_\_\_\_ LDGP bomb.
- Q4. What adapter is used to mate the MAU-91A/B fin to the Mk 83 bomb?
- Q5. List the three modes of delivery used with Snakeye fins.

## GUIDED BOMB UNITS

LEARNING OBJECTIVE: *Identify the different types, purpose, use, and operation of guided bomb units.*

### GBU-12, GBU-16, AND GBU-10 (PAVEWAY II)

The GBU-12, GBU-16, and GBU-10 (PAVEWAY II) guided bomb units (GBUs) (fig. 1-27) are

Mk 82/BLU-111, Mk 83/BLU-110, and Mk 84/BLU-117 LDGP bombs configured to detect a target illuminated by a laser beam. The modification consists of MAU-169 series computer control group (CCG) and MXU-650, 651, or 667 series airfoil group (AFG). Each AFG contains identical items; although they are different in physical size, they perform identical functions. A typical AFG is composed of a folding wing assembly, forward adapter assembly, guidance fins, and hardware required for assembly of laser-guided weapons.

The CCG mounts on the nose of the bomb body (this precludes the use of nose fuzing). The CCG detects a laser-illuminated target and provides weapon guidance signals to the moveable guidance fins.

The guidance fins (canards) attach to the CCG and the forward adapter assembly. The canards react to the signals received from the CCG to direct the weapon to the target.

The wing assembly is mounted on the aft end of the bomb body. It adds necessary aerodynamic stability and lift for in-flight maneuvering. An electric tail fuze is installed in the tail of the bomb.

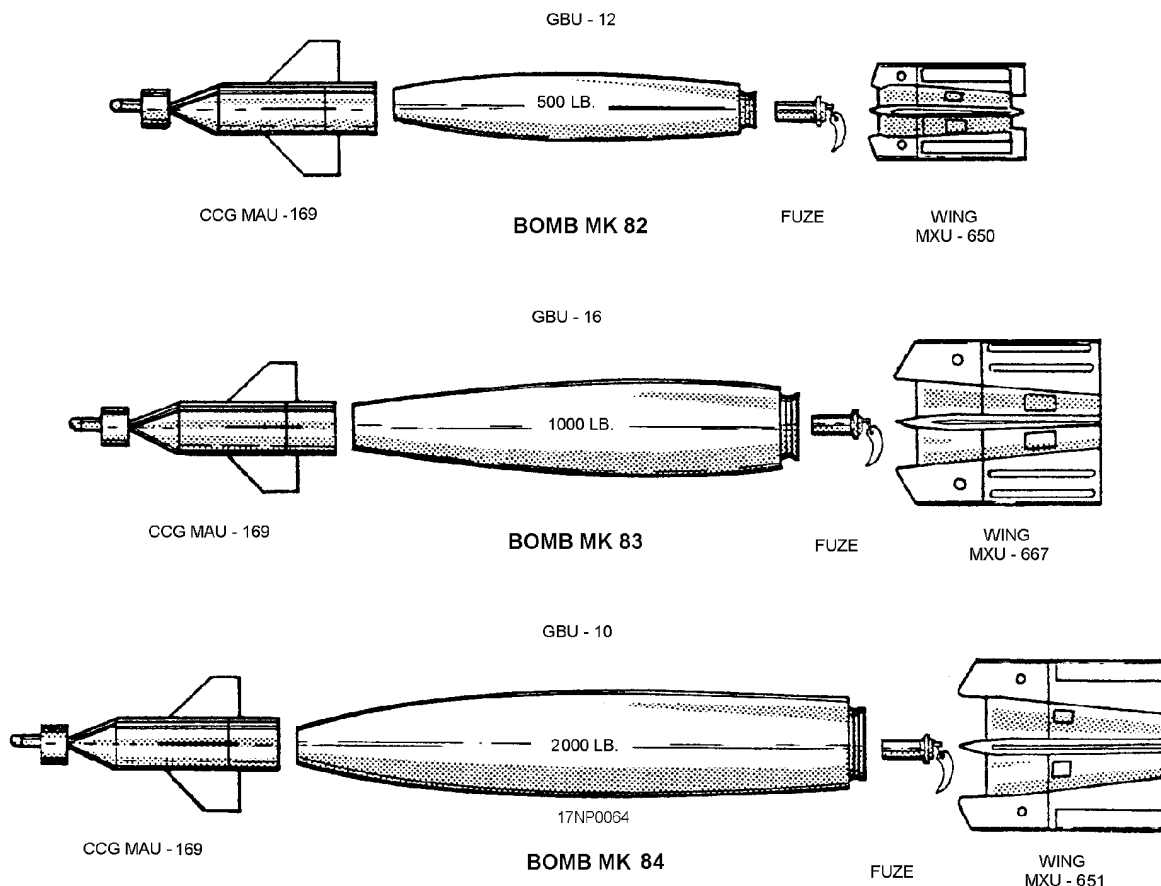


Figure 1-27.—Typical guided bomb unit configurations.



Except for the glass nose of the CCG, all components are painted olive drab, and the bomb body has standard LDGP markings.

**GBU-24B/B (PAVEWAY III)**

The GBU-24B/B (PAVEWAY III) (fig. 1-28) is a converted BLU-109A/B 2000 pound class bomb designated as a hard target penetrator (HTP). The associated components required for conversion are fuze, airfoil group, FZU generator, adapter group, and guidance control unit. The heavy walled case of the bomb provides the penetration capability of 4 to 6 feet of reinforced concrete. The GBU-24B/B has a thermal protective coating applied to the surface to extend the cook-off time. The GBU-24B/B must not be missing more than 20 square inches of thermal coating in a single area or more than 40 square inches total.

**JOINT DIRECT ATTACK MUNITION (JADM)  
(GBU-31 SERIES)**

The Joint Direct Attack Munition (JADM) series are Mk80/BLU series bombs with a JDAM kit installed. The kit consists of strakes which increase the release envelope, a tail section that houses a Global Positioning System, Inertial Measurement Unit, flight controls and a aircraft interface.

**REVIEW NUMBER 6**

- Q1. *How do laser-guided bombs detect a target?*
- Q2. *What type of tail fuze is used with laser-guided bombs?*
- Q3. *Describe the location of the wing assembly used with laser-guided bombs.*

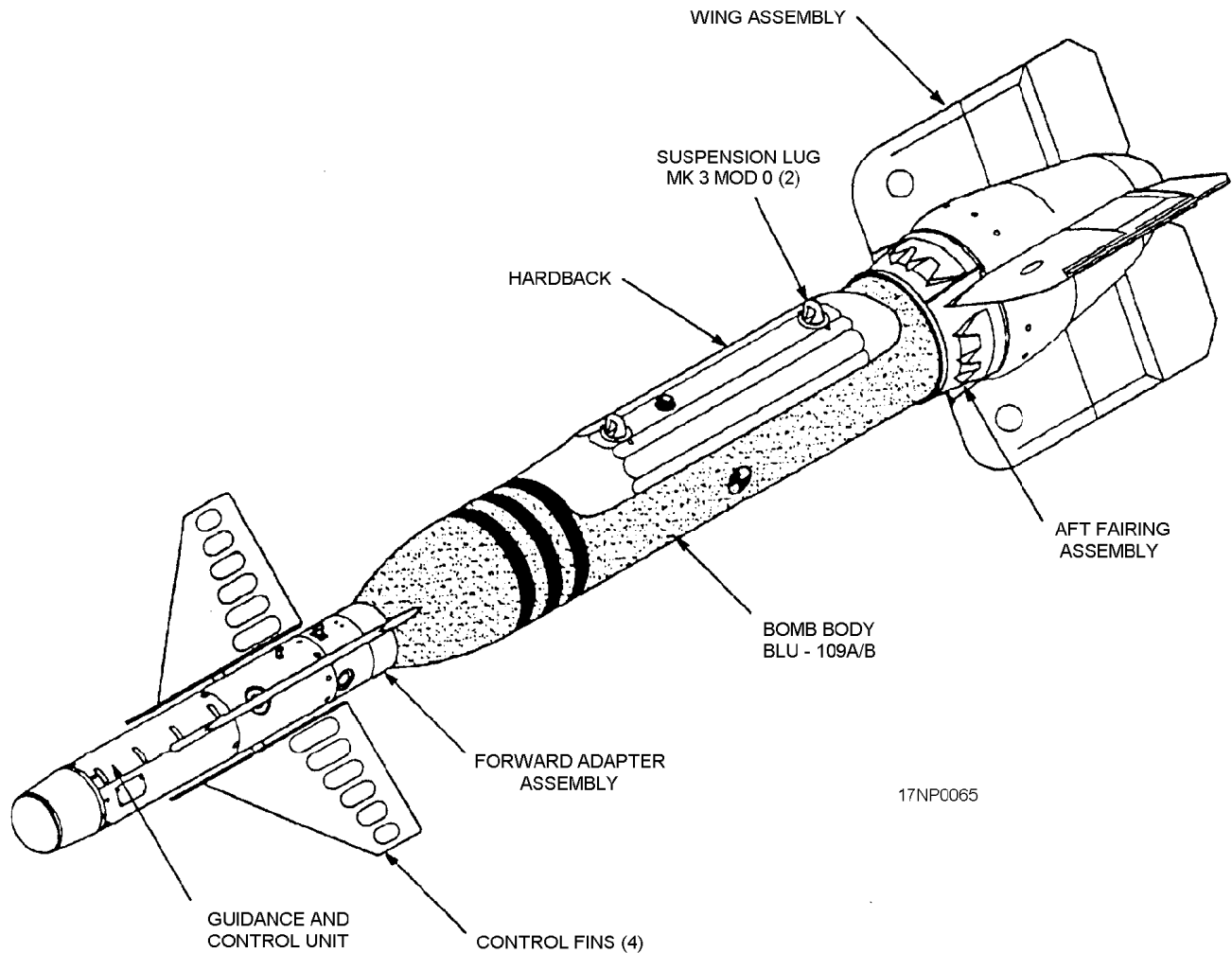
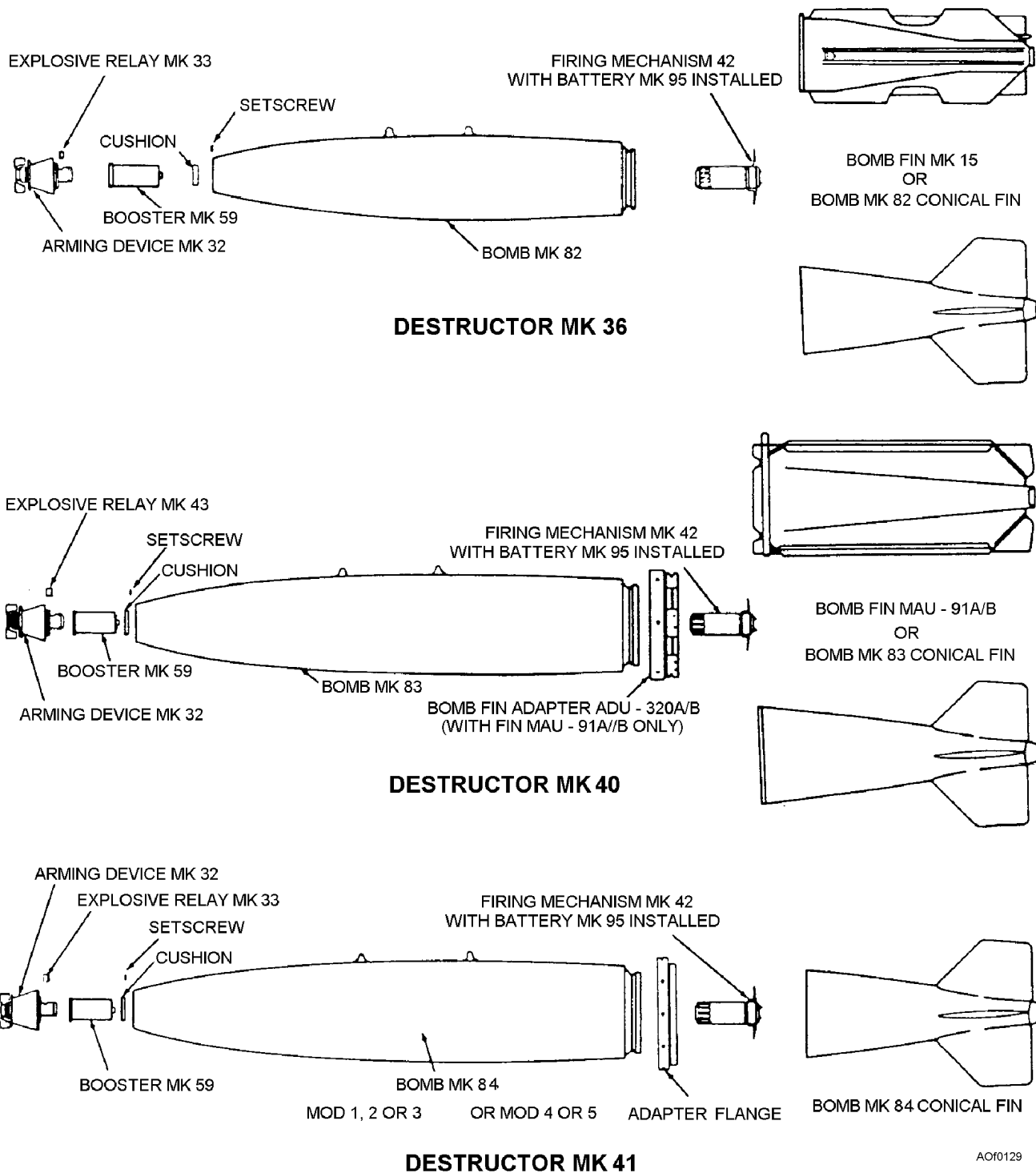


Figure 1-28.—GBU-24B/B.

## DESTRUCTORS

LEARNING OBJECTIVE: *Identify the types, purpose, and use of destructors (DSTs).*

The destructor mine consists of an LDGP aircraft bomb and a Mk 75 modification kit. The Mk 75 modification kit (fig. 1-29) contains the Mk 32 arming



AO10129

Figure 1-29.—Typical destructor configurations.

device, Mk 59 booster, Mk 42 firing mechanism, and all necessary hardware (less battery and fin assembly) to convert an LDGP bomb to an air-laid mine. The firing mechanism of the Mk 42 arming device requires the use of a Mk 95 battery, which must be installed during assembly procedures.

### REVIEW NUMBER 5 ANSWERS

- A1. *Normally, low-drag general-purpose (LDGP) bombs are used in bombing operations. Currently, Mk 80 (series) LDGP bombs are used.*
- A2. *Bombs are shipped on metal pallets because of their increased capacity and for grounding purposes over wooden pallets.*
- A3. *The Mk 15 fin is used with the Mk 82 bomb in either a low-drag or high-drag configuration.*
- A4. *The ADU-320/B adapter is used to mate the MAU-91A/B fin to the Mk 83 bomb.*
- A5. *The three modes of delivery used with Snakeye fins are the retarded mode, used during low-level bombing; nonretarded mode, in which the weapon free falls to the target; and the in-flight selected mode (pilot option), where the pilot selects either the retarded or nonretarded mode of delivery.*

### REVIEW NUMBER 6 ANSWERS

- A1. *Laser-guided bombs detect a target illuminated by a laser beam.*
- A2. *Electrical tail fuzes are used in laser-guided bombs.*
- A3. *The wing assembly is mounted on the aft end of the bomb body to add aerodynamic stability and lift for in-flight maneuvering.*

With the Mk 75 kit installed, a Mk 82 LDGP bomb (500 pounds) becomes a Mk 36 DST, a Mk 83 LDGP bomb (1,000 pounds) becomes a Mk 40 DST, and a Mk 84 LDGP bomb (2,000 pounds) becomes a Mk 41 DST. The Mk 36 and Mk 40 DSTs can be dropped in the

retarded or nonretarded mode of delivery. The installation of a conical fin provides nonretarded (free-fall) delivery only. The installation of a Snakeye fin assembly provides the pilot with the in-flight option of releasing the DST in the retarded or nonretarded mode. The Mk 41 DST is configured with a conical fin for nonretarded delivery only. The standard LDGP bomb markings plus white stripes (fig. 1-30) identify DSTs.

Additional information on DSTs may be found in *Destructor Mk 36, 40, and 41, all Mods, NAVSEA OP 3529.*

### REVIEW NUMBER 7

- Q1. *What modification kit is used to make LDGP bombs into destructor (DST) mines?*
- Q2. *Name the bomb used to make the Mk 40 destructor.*
- Q3. *Name the DST that can only be dropped in the nonretarded mode.*

### ANTITANK BOMB CLUSTER MK 20, CBU-99, AND CBU-100

LEARNING OBJECTIVE: *Identify the purpose and use of the various configurations of the Mk 20, CBU-99, and CBU-100 antitank bomb clusters. Describe the function of the Mk 118 Mods 0 and 1 antitank bomb.*

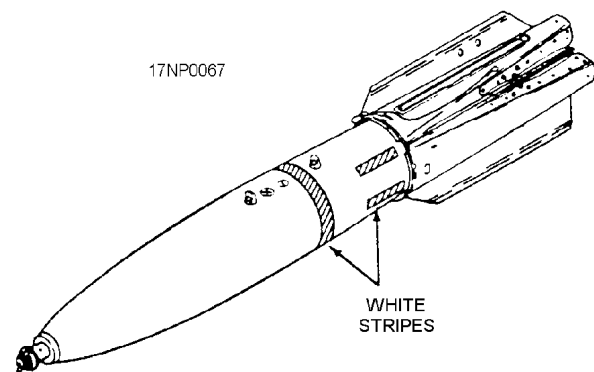


Figure 1-30.—DST identification markings.

The antitank bomb cluster (fig. 1-31) is an air-launched, conventional free-fall weapon. The Mk 20, CBU-99, and CBU-100 are used against armored vehicles.

The CBUs are delivered to the fleet as completely assembled all-up-rounds (AURs). Fuzes, suspension lugs, arming wires, wire extractors, and all other necessary components are installed.

The Mk 20 bomb cluster weighs 490 pounds and contains 247 Mk 118 antitank bombs. The information on configuration, functional description, and shipping and storage containers of the Mk 7 bomb dispenser and its associated components can be found in NAVAIR 11-5A-3, also information on decanning, preparation for use, and recanning procedures are found in NAVAIR 11-140-9.

### MK 20 MODS/CBU-99/CBU-100, BOMB CLUSTER CONFIGURATIONS

The configurations of the Mk 20 Mods/CBU-99/CBU-100 are listed in (table 1-4).

### Mk 7 and Mods Bomb Dispenser

The cargo section of the Mk 7 bomb dispenser is the main structure of the weapon and contains the bombs/bomblets. A nose fairing is attached to the forward end of the cargo section for aerodynamics and fuze installation. It has an observation window for viewing the safe/arm indicator on the installed fuze. The dispenser has two linear-shaped charges secured longitudinally inside the walls. When initiated, these shaped charges cut the dispenser in half, from front to rear, and the bombs/bomblets spread in free-fall trajectories.

### REVIEW NUMBER 7 ANSWERS

- A1. *The Mk 75 modification kit is used to make destructor mines.*
- A2. *When the Mk 75 modification kit is installed, the Mk 83 LDGP bomb becomes the Mk 40 DST.*
- A3. *The Mk 41 DST can only be delivered in the nonretarded mode.*

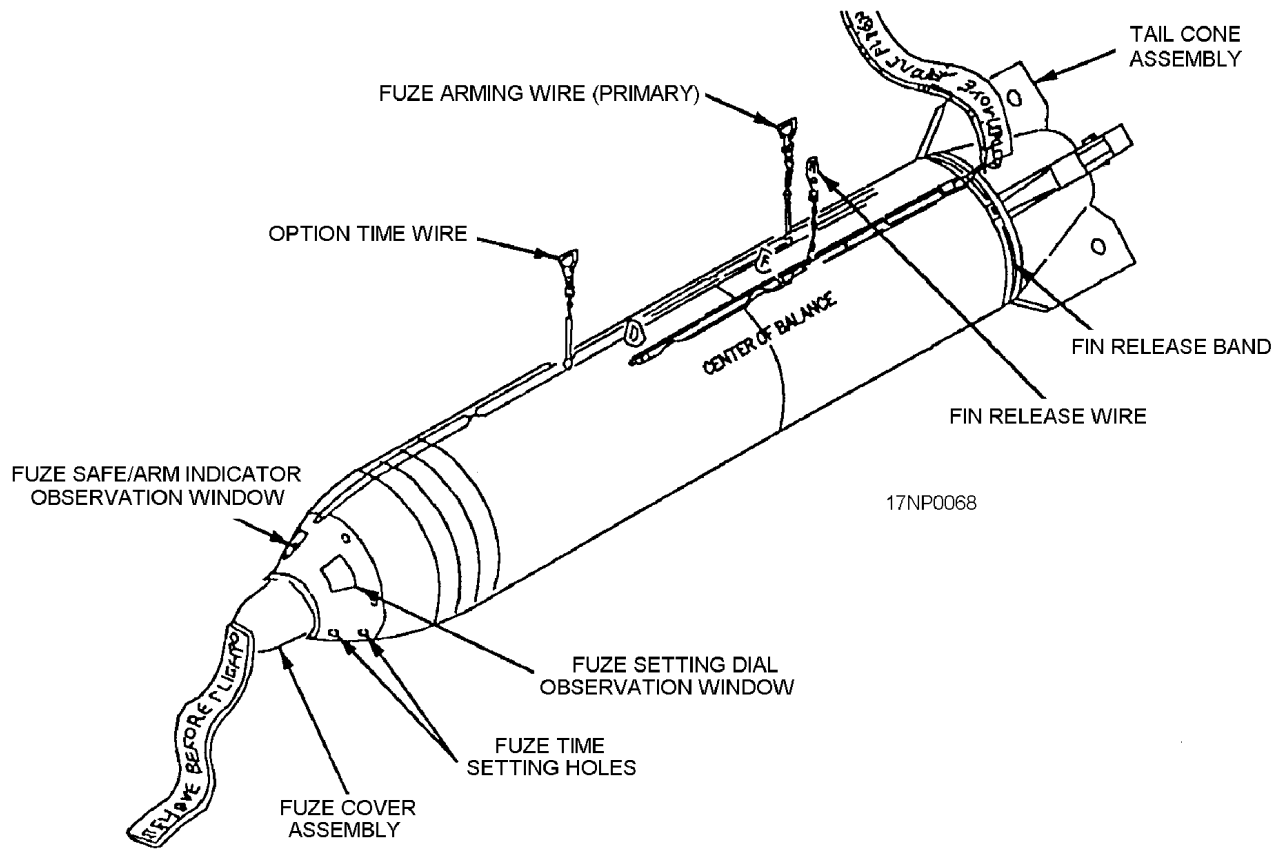


Figure 1-31.—Antitank bomb cluster Mk 20 Mods and CBU-99 and CBU-100.

**Table 1-4.—Bomb Cluster Mk 20 Mods and CBU-99 and CBU-100 Configurations**

BOMB CLUSTER	BOMB DISPENSER	FUZE	EXPLOSIVE PAYLOAD
Mk 20 Mod 3	Mk 7 Mod 3	Mk 339 Mod 1 Mechanical Time Fuze	247 Mk 118 Mod 0 antitank bombs with Mk 1 Mod 0 fuzing system
Mk 20 Mod 4	Mk 7 Mod 4	Mk 339 Mod 1 Mechanical Time Fuze	247 Mk 118 Mod 0 antitank bombs with Mk 1 Mod 0 fuzing system
Mk 20 Mod 6	Mk 7 Mod 6 Thermally protected	Mk 339 Mod 1 Mechanical Time Fuze	247 Mk 118 Mod 1 antitank bombs with Mk 1 Mod 1 fuzing system
MJU-5/B	Mk 7 Mod 3	Mk 339 Mod 1 Mechanical Time Fuze	Chaff
CBU-78/B & B/B	SUU-58/B	Mk 339 Mod 1 Mechanical Time Fuze	45 BLU-91B AT/AV and 15 BLU-92/B AP
CBU-78 B/B	SUU-58/B	FMU-140/B	45 BLU-91B AT/AV and 15 BLU-92/B AP
CBU-99/B	SUU-75/B Thermally protected	Mk 339 Mod 1	247 Mk 118 Mod 0 bombs
CBU-99A/B	SUU-75A/B Thermally protected	FMU-140/B	247 Mk 118 Mod 0 bombs
CBU-100/B	SUU-76/B Thermally protected	Mk 339 Mod 1	247 Mk 118 Mod 0 bombs
CBU-100A/B	SUU-76A/B Thermally protected	FMU-140/B	247 Mk 118 Mod 0 bombs

To stabilize the weapon after release from the aircraft, a tail cone assembly is attached to the aft end of the cargo section. The tail cone assembly houses four, spring-actuated folding fins. The fins are spring-loaded to the open position and secured in the closed position during ground handling by a fin release-band assembly. The fin release band is secured in the closed position by a safety cotter pin and by the fin release wire.

A yellow band around the forward end of the cargo section indicates the explosive content of the weapon.

The Mk 7 Mods 3, 4, and 6 bomb dispensers have the Mk 339 Mod 1 fuze, which provides the pilot with in-flight selection of the fuze function time.

The Mk 7 Mod 4 bomb dispenser differs from the Mk 7 Mod 3 by modifying the dispenser and giving interface capabilities with a wider range of military aircraft. The Mk 7 Mod 6 bomb dispenser is the same as the Mk 7 Mod 3 except that the outside of the Mod 6 cargo section is coated with a thermal protective coating and has an additional yellow band around the forward end of the cargo section. The addition of the thermal coating increases the overall weight of the Mod 6 to 505 pounds.

#### **Mk 339 Mod 1 Mechanical Time Fuze**

The purpose of the Mk 339 Mod 1 mechanical time fuze is to initiate the linear-shaped charges located in the cargo section walls.

## Mk 118 Mod 0 and Mod 1 Antitank Bomblets

The antitank bomblets Mk 118 Mod 0 (fig. 1-32) consists of a Mk 1 Mod 0 fuzing system, a shaped-charge warhead, and fixed stabilizing fins. It is loaded in the Mk 20 Mod 3 bomb clusters only. In the antitank bomb Mk 118 Mod 1, the fuzing system is a Mk 1 Mod 1, and the bombs are loaded in the Mk 20 Mod 6 bomb clusters only.

### FUNCTIONAL DESCRIPTION

When the Mk 20 bomb cluster is released from the aircraft, the arming wires (primary and/or optional arming) are pulled sufficiently to arm the Mk 339 fuze and release the fins. The positive armed fin release arming wire frees the fin release band, and the movable fins snap open by spring-force.

Functioning of the fuze initiates the linear-shaped charges in the dispenser; that cut the dispenser case in half, and disperses the bombs/bomblets. When the Mk 339 Mod 1 primary fuze arming wire is pulled, the fuze will function 1.2 seconds after the arming wire has been extracted. If the pilot selects the option time (4.0 seconds), both the primary and option arming wires must be pulled. If the pilot selects the option time and the primary arming wire is **not** pulled, the fuze will be a dud.

### Mk 118 Mods 0 and 1 Antitank Bomb

When the Mk 118 bomb separates from the dispenser case, the base fuze-arming vane rotates and the fuze is armed. If the bomb strikes a hard target, such

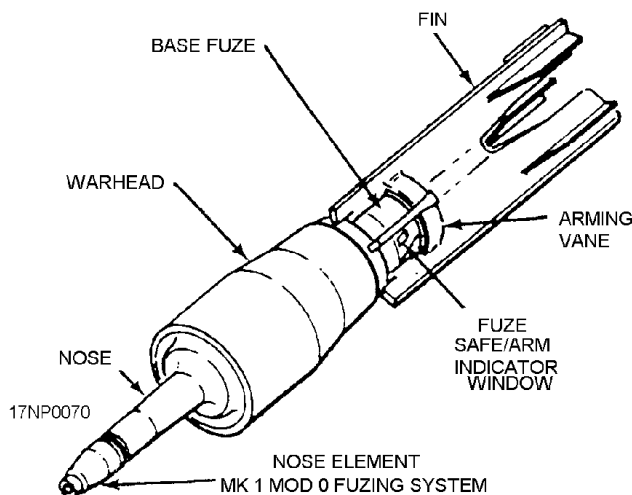


Figure 1-32.—Antitank bomblets Mk 118 Mod 0 and Mod 1.

as concrete or armor, the electric detonator ignites the shaped-charge warhead immediately. If the bomb strikes a soft target, such as earth or sandbag, the bomb penetrates the targets until deceleration lets the inertia firing pin strike and initiate the stab detonator, causing warhead denotation.

### SHIPPING AND STORAGE CONTAINERS

The Mk 427 Mod 0 and Mod 1 shipping and storage containers encase one fully assembled Mk 20 bomb cluster. The reusable containers consist of metal upper and lower shell assemblies that are secured with either 16 quick-release latches (Mod 0) or 18 "T" latches (Mod 1). A rubber gasket provides an environmental seal when the upper and lower shells are mated. External frame members are welded to each half of the container so the containers can be stacked six high and provide the necessary fittings for ground-handling equipment.

The reusable weapon cradle Mk 18 Mod 0 is used to ship and store two fully assembled Mk 20 bomb clusters. The cradle consists of plastic upper and lower shell assemblies, which are shock-mounted on a metal cradle assembly. The weapon cradle has forklift guides, lifting eyes; hand truck brackets, and lifts devices to permit the use of handling equipment. Four supports are provided on each cradle to aid in stacking the cradle assemblies.

### REVIEW NUMBER 8

- Q1. Name the main structure of the Mk 7 bomb dispenser.
- Q2. The Mk 20 bomb cluster weighs \_\_\_\_\_ and contains \_\_\_\_ bomblets.
- Q3. Name the component used to stabilize the bomb after release from the aircraft.
- Q4. Describe the purpose of the Mk 339 Mod 1 mechanical time fuze.
- Q5. List the components of the Mk 118 Mod 0 and Mod 1 antitank bomblets.
- Q6. What shipping container is used to ship and store the Mk 20 bomb cluster?

### CBU-78/B and B/B GATOR

The CBU-78/B and B/B GATOR weapon is delivered as an all-up-round (AUR) (fig. 1-33). The weapon consists of the SUU-58/B dispenser, Mk 339

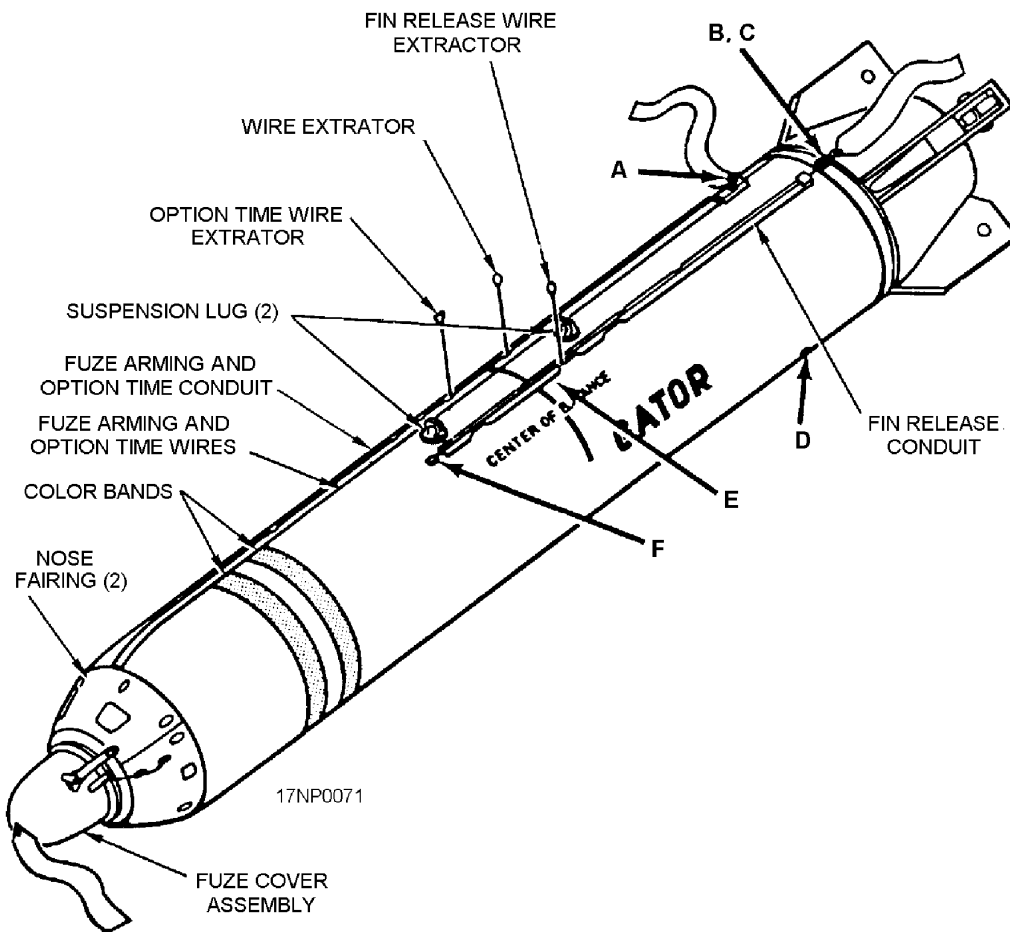


Figure 1-33.—CBU-78/B and B/B GATOR weapon.

Mod 1 fuze, Kit Modification Unit KMU-428/B, and 60 mines (45 BLU-91/B and 15 BLU-92/B). The fuze initiation time is preset and is activated upon weapon release from the aircraft. Fuze time settings are primary mode (1.2 seconds) and option mode (4.0 seconds). The KMU-428/B adapts the mines to the dispenser; it also provides mine activation/self-destruct time selection.

#### SUU-58/B Subsonic Free-Fall Dispenser

The SUU-58/B consists of a cargo section with a nose fairing assembly attached, a tail cone assembly, and fuze arming wires with extractors. There are two observation windows—one for viewing the safe/arm indicator and the other to observe the fuze time-setting dials. The cargo section houses the BLU-91/B and BLU-92/B mines. The tactical weapons have two yellow bands around the nose cone fairing.

#### BLU-91/B and BLU-92/B Mines

The target sensors are the primary difference between the two mines. The BLU-91/B uses an

armor-piercing warhead and a magnetometer type of sensor; the BLU-92/B has a fragment type of warhead with trip wires as the primary target sensor.

### PRACTICE BOMBS

**LEARNING OBJECTIVE:** *Identify the different types, purpose, and use of practice bombs to include subcaliber and full-scale practice bombs.*

Practice bombs are used to simulate the same ballistic properties of service bombs. Practice bombs are manufactured as either solid or cast-metal bodies. Since practice bombs contain no explosive filler, a practice bomb signal cartridge (smoke) can be used for visual observation of weapon-target impact.

The primary purpose of practice bombs is **safety** when training new or inexperienced pilots and ground-handling crews. Other advantages of practice bombs include their low cost and an increase in available target locations.

Although not classified as practice bombs, the Mk 80 (series), inert filled, LDGP bombs are used for full-scale practice bombing. These bombs are physically the same as the Mk 80 (series) LDGP service bombs, but they do not contain explosive filler and are painted blue. These bombs provide full-scale training for assembly and loading crews and pilots.

The general types of practice bombs are subcaliber or full-scale practice bombs. Subcaliber means that the practice bomb is much smaller in size and weight than the service bomb it simulates. Full-scale practice bombs are representative of service bombs in their size and weight.

### SUBCALIBER PRACTICE BOMBS

There are two types of subcaliber practice bombs—the Mk 76 Mod 5 and BDU-48/B. The two types are used for practice and are quite different in design and appearance from each other.

#### Mk 76 Mod 5

The Mk 76 Mod 5 is a 25-pound, solid, metal-cast, practice bomb (fig. 1-34). Its body is teardrop shaped and centrally bored to permit the insertion of a practice bomb signal cartridge. The after body, which covers the tail tube, is crimped to the bomb body and has welded-on tail fins. The bomb is designed with single lug suspension, using the Mk 14 suspension lug.

The Mk 76 Mod 5 practice bomb is designed for impact firing only. It uses the Mk 1 firing pin assembly to initiate the practice bomb signal cartridge. The bomb signal and the firing pin assembly are held in the bomb by means of a cotter pin.

The bomb is painted blue. The identification nomenclature is stenciled in white letters on the bomb body.

#### BDU-48/B

The BDU-48/B is a 10-pound practice bomb (fig. 1-35). It is a thin-cased cylindrical bomb used to

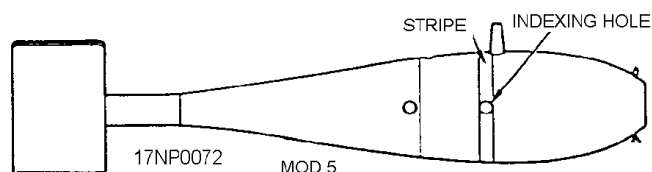


Figure 1-34.—Mk 76 Mod 5 practice bomb.

simulate retarded weapon delivery. The bomb is composed of the bomb body, a retractable suspension lug, a firing assembly, and box-type conical fins.

The firing device (fig. 1-35) consists of a firing pin assembly and a cotter pin. The BDU-48/B is painted blue. Identification nomenclature is stenciled in white letters on the bomb body.

The bomb can use signal cartridge Mk 4 Mod 3, or CXU-3A/B. While handling or transporting bombs, loaders should avoid placing their bodies in line with either end of the bomb.

### REVIEW NUMBER 8 ANSWERS

- A1. *The cargo section is the main structure of the Mk 7 bomb dispenser.*
- A2. *The Mk 20 bomb cluster weighs 490 pounds and holds 247 Mk 118 antitank bomblets.*
- A3. *The tail cone assembly, attached to the aft end of the cargo section, stabilizes the bomb after it is released from the aircraft.*
- A4. *The Mk 339 Mod 1 mechanical time fuze is used to initiate the linear-shaped charges in the cargo section wall.*
- A5. *The Mk 118 Mod 0 and Mod 1 antitank bombs contain the following:*
  - *Mk 1 Mod 0 fuzing system*
  - *Shaped-charge warhead*
  - *Fixed stabilizing fins*
- A6. *The Mk 427 Mod 0 and Mod 1 shipping containers are used to ship and store Mk 20 bomb clusters.*

### FULL-SCALE PRACTICE BOMBS

Full-scale practice bombs have the same dimensions, weight factor, and configuration abilities as the service bombs they simulate. The bombs are filled with inert material to obtain the proper weight.

The full-scale practice bombs (fig. 1-36) currently in use are in the Mk 80 (series). They include the Mk 82, Mk 83, and Mk 84 LDGP bombs. These bombs are assigned a different NALC than their service counterpart to differentiate between inert and service bombs when requisitioning them through the supply system. They can be configured with the same bomb components (fuzes, fins, lugs, and so forth) that are used to configure service bombs. However, if the use of



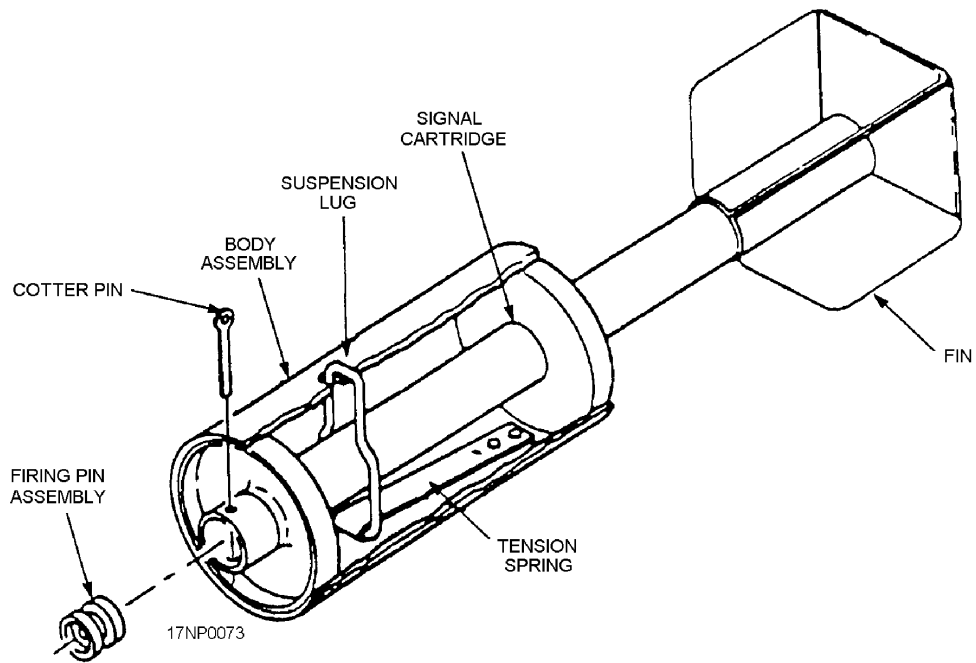


Figure 1-35.—BDU-48/B practice bomb.

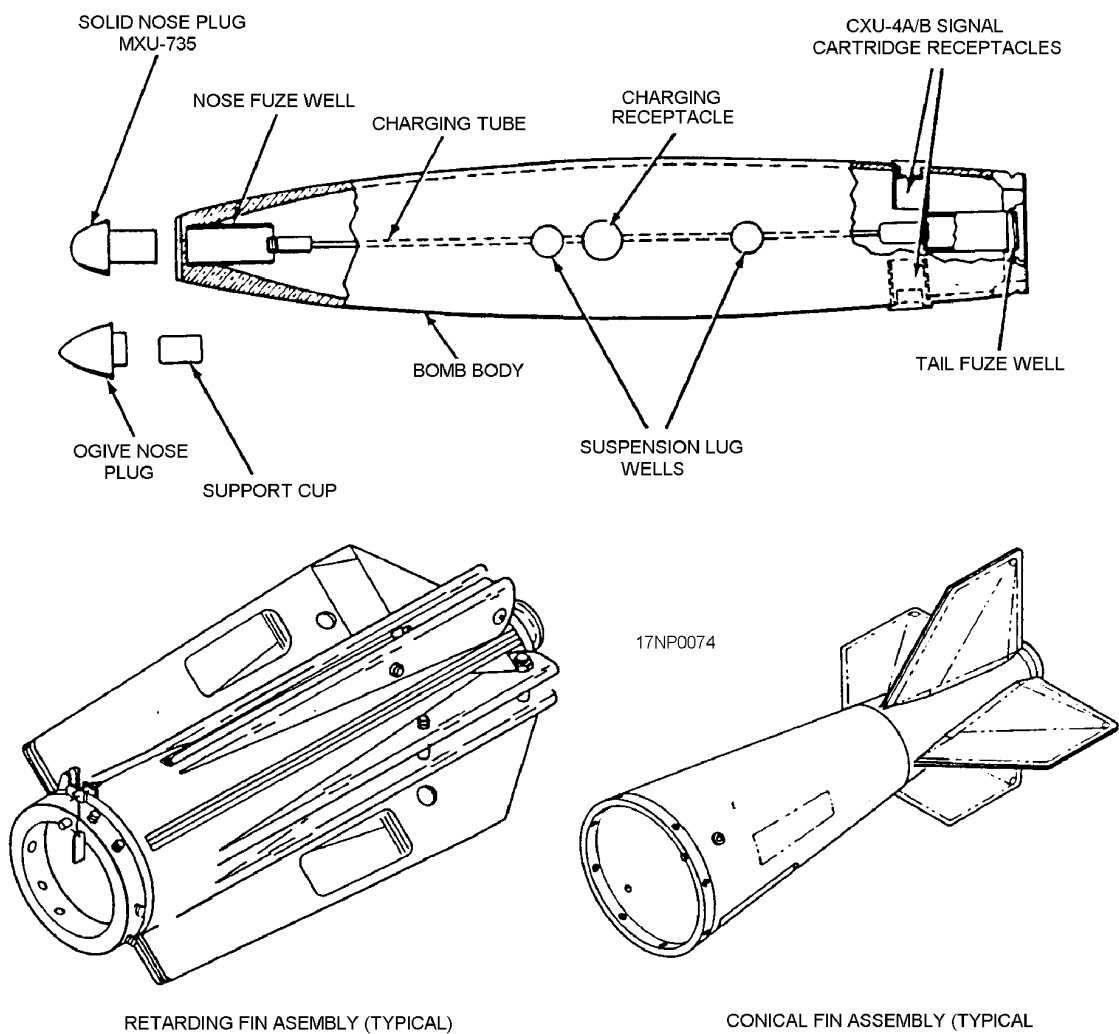


Figure 1-36.—BDU-45/B practice bomb.

fuzes is not desired, a Mk 89 Mod 0 bomb spotting charge adapter can be installed in the tail fuze well of the practice bomb to provide visual observation of weapon/target impact.

The Mk 80 (series) inert LDGP bombs are painted blue. The new Mk 80 (series) inert LDGP bombs have an olive-drab colored exterior and are thermally protected, but they can be distinguished from service bombs by a blue band around the nose and by the 1-inch letters INERT stenciled on the outside of the bomb body.

The Mk 89 Mod 0 bomb spotting charge adapter (fig. 1-37) is designed for use in the tail fuze well of the Mk 80 (series) LDGP inert bombs. A practice bomb signal cartridge is installed in the Mk 89 Mod 0, which provides visual observation (smoke) of weapon-target impact.

The bomb spotting charge adapter is kept in a safe condition during ground handling by the installation of a safety cotter pin in the safety pin sleeve. Once the arming wire has been installed through the arming wire hole in the safety pin sleeve, the safety cotter pin must be removed.

### LASER GUIDED TRAINING ROUND (LGTR)

The LGTR (fig. 1-38) is designed to provide realistic laser guided bomb (LGB) tactical training. The training round consists of a guidance and control section, pneumatic controls for moveable control surfaces, power supply, and a standard practice bomb signal cartridge. Once initiated, the system cannot be reset. The signal cartridge (spotting charge) is impact initiated and does not require safety or cotter pins.

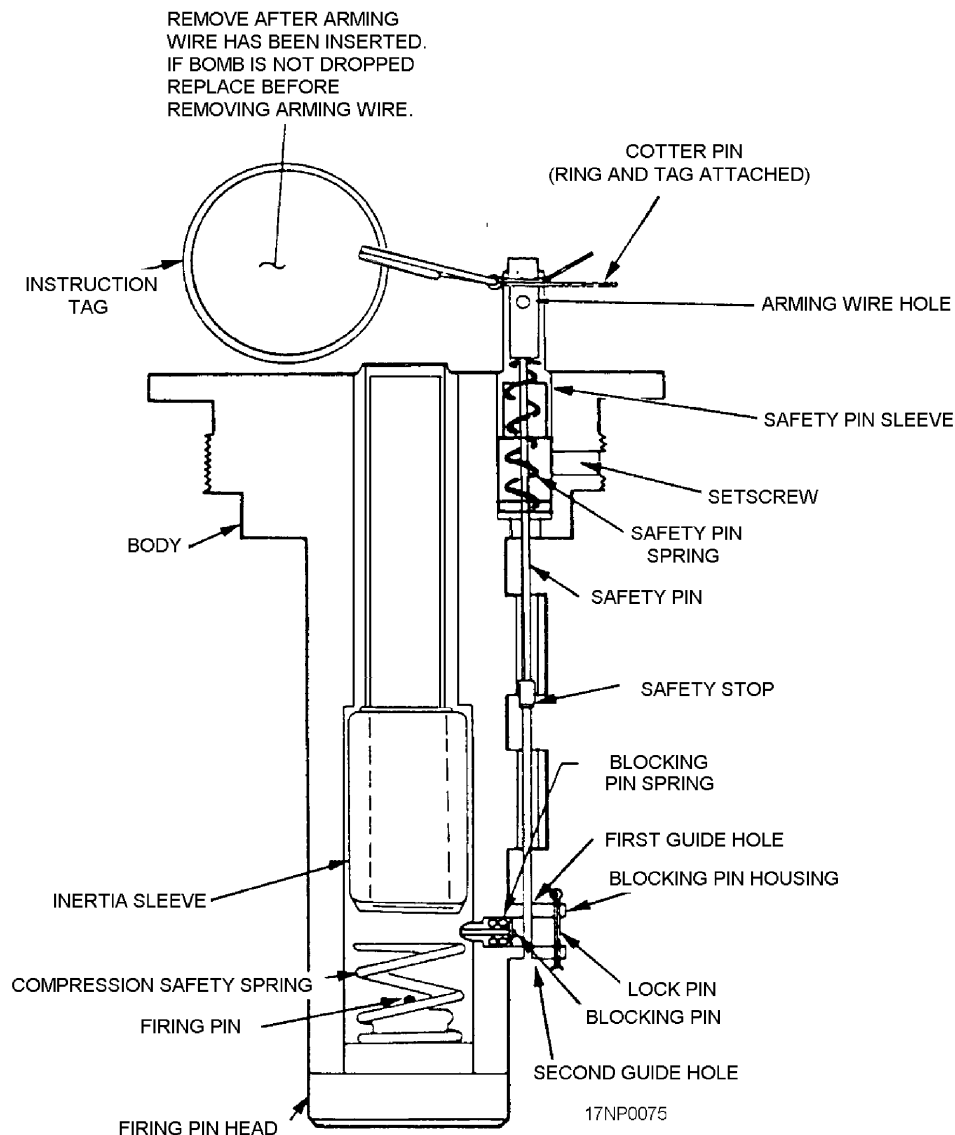


Figure 1-37.—Mk 89 Mod 0 bomb spotting charge adapter.

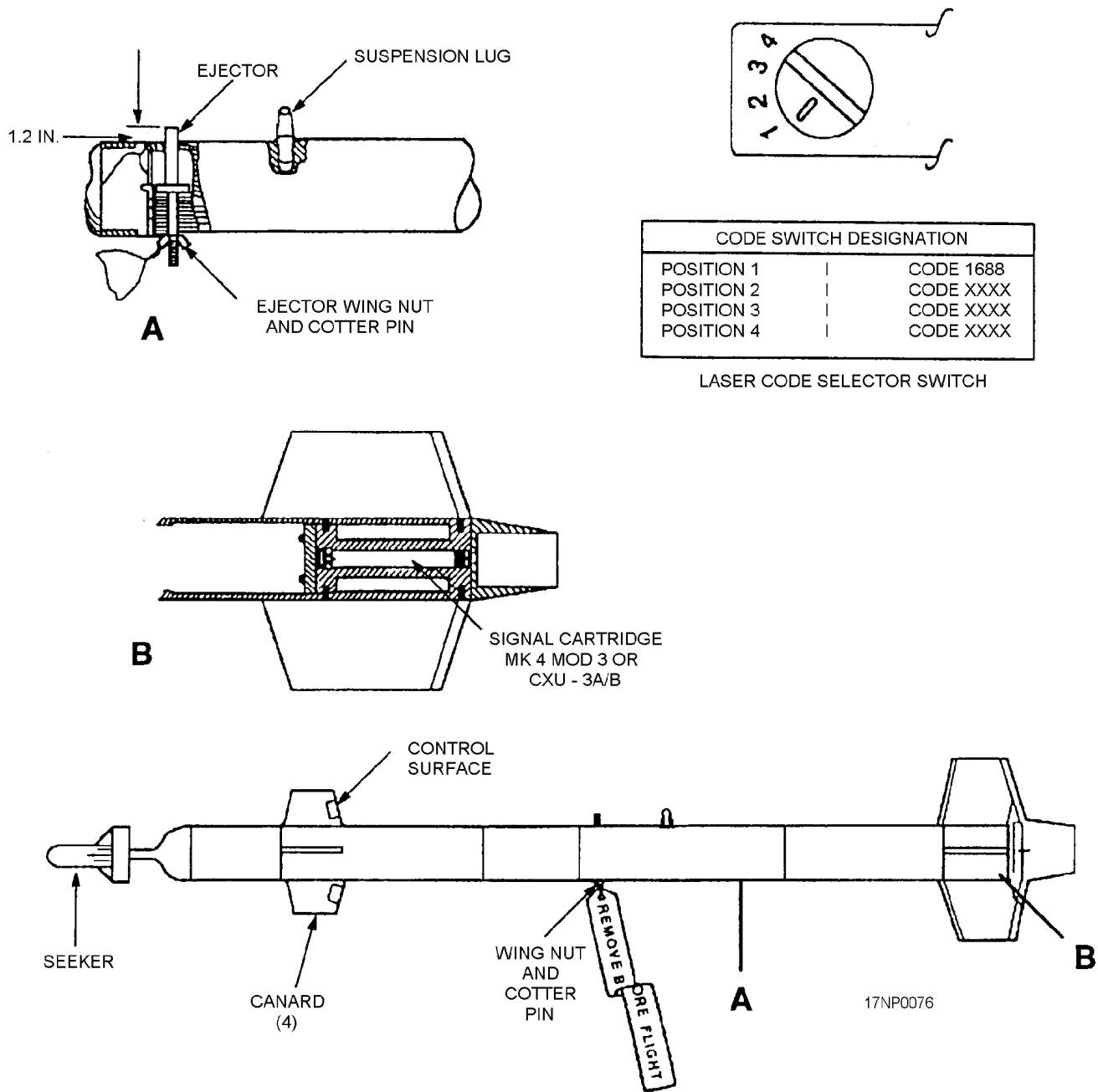


Figure 1-38.—Laser guided training round (LGTR).

### REVIEW NUMBER 9

- Q1. Describe the primary purpose of practice bombs.
- Q2. List the two general types of practice bombs.
- Q3. List the types of subcaliber practice bombs.
- Q4. What color are Mk 80 (series) inert LDGP bombs painted?

### SAFETY PRECAUTIONS

LEARNING OBJECTIVE: Recognize the safety precautions to follow when working with bombs, fuzes, and associated components.

Most fuzes contain a charge of high explosives and must be handled carefully. When compared to the burster charge, the amount of explosives is small; however, the explosives in fuzes are much more

sensitive. Fuzes are manufactured to meet all safety requirements when used properly. However, the safety features designed in any weapon or explosive component are only as reliable as the person using them.

Fuzes are packed in sealed, moisture proof containers, and should not be unsealed until they are required for use. Fuzes unpacked and not used should be returned to their original condition, repacked, and dated. Once the hermetic seal is broken, these fuzes should be used before those that are still hermetically sealed. Mk 376 electric fuzes that have been removed from their sealed containers and whose shipping caps have been removed and repacked for more than 30 days must be disposed of according to current directives. Additionally, dispose of electric fuzes exposed to excessive moisture, regardless of length of time.

Fuzes must be handled carefully at all times and should never be dropped, tumbled, dragged, or thrown. They should not be struck with a hammer or any tool, either to open the container or to align them in a stowage rack.

**Fuzes should not be packed or unpacked in the magazine.** When a fuze is unpacked, it should be examined to ensure that the shipping seals are intact and that the arming stem is not unscrewed. Safety cotter pins, shipping wires and seals should be left in place until the arming wire is assembled into the fuze. Arming vane assemblies must not be bent or distorted.

The hazards of bomb ammunition will vary, depending on the types and quantities of explosives involved. Regardless of the particular weapons being handled, potential hazards are always present. Explosive bomb ammunition is hazardous because of its tendency, when detonated, to set off all explosive material that is near it.

Although bomb ammunition containing high explosives causes greater injury to personnel and loss of equipment, the improper handling of practice bombs causes more frequent injury to personnel. When handling practice bombs, the weight factor alone can cause severe injury or even loss of limb. Dropping a practice bomb, even a short distance, with a practice bomb signal cartridge installed can cause the cartridge to detonate, resulting in severe and permanent injury to personnel.

Accidents are prevented through good design, testing, and careful handling of ordnance. Safety precautions must be followed. All personnel involved in weapons handling must be briefed on particular

safety precautions before actually handling weapons. All personnel who handle ordnance must be qualified and certified. Newly assigned personnel, still under training, are assigned as crewmembers and **never** permitted to work alone until they are fully qualified and certified.

Specific safety precautions for bomb ammunition are outlined in the publications for the specific ammunition and the aircraft loading manuals.

#### REVIEW NUMBER 10

- Q1. *What is the maximum length of time that the Mk 376 electrical tail fuzes can be used after they are removed from their container?*
- Q2. *In what location should you **never** pack or unpack fuzes?*
- Q3. *Why is explosive bomb ammunition hazardous?*
- Q4. *Handling \_\_\_\_\_ causes more injuries than handling \_\_\_\_\_.*

#### REVIEW NUMBER 9 ANSWERS

- A1. *Practice bombs are primarily used for safety when training new or inexperienced pilots and ground-handling crews.*
- A2. *The two general types of practice bombs are the subcaliber and the full-scale bombs.*
- A3. *The Mk 76 Mod 5 subcaliber practice bomb is used for impact firing only.*  
*The BDU-48/B subcaliber practice bomb is used to simulate retarded weapons delivery.*
- A4. *Mk 80 (series) inert LDGP bombs are painted blue.*

#### REVIEW NUMBER 10 ANSWERS

- A1. *Don't use a fuze that has been removed from its hermetically sealed container for over 30 days.*
- A2. *Never unpack fuzes from their containers in the magazine.*
- A3. *Explosive bomb ammunition is hazardous because of its tendency to set off all explosive material near it if it is detonated.*
- A4. *Handling practice bombs causes more injuries than handling bomb ammunition containing high explosives.*

## CHAPTER 2

# AIRCRAFT ROCKETS AND ROCKET LAUNCHERS

The history of rockets covers a span of eight centuries, but their use in aircraft armament began during World War II. Rockets answered the need for a large weapon that could be fired without recoil from an aircraft.

Since the airborne rocket is usually launched at close range and measured in yards or meters, its accuracy as a propelled projectile is higher than a free-falling bomb dropped from high altitude.

### AIRCRAFT ROCKETS

**LEARNING OBJECTIVE:** *State the principles of rocket propulsion. Identify rocket components to include motors, warheads, and fuzes. Identify the purpose and use of service rocket assemblies to include the 2.75-inch folding-fin aircraft rocket (FFAR), the low-spin folding-fin aircraft rocket (LSFFAR), and the 5.00-inch FFAR.*

There are two rockets currently used by the Navy. The first is the 2.75-inch, folding-fin aircraft rocket (FFAR) known as the Mighty Mouse. The second, a 5.0-inch, folding-fin rocket known as the Zuni. The Mighty Mouse and the Zuni are discussed in detail later in this chapter.

### ROCKET AND ROCKET FUZE TERMINOLOGY

Some of the more common terms peculiar to rockets and rocket components used in this chapter are defined as follows:

*Acceleration/deceleration.* These terms apply to fuzes that use a gear-timing device in conjunction with the setback principle. Prolonged acceleration completes arming the fuze, and deceleration or proximity initiates detonation.

*Igniter.* The initiating device that ignites the propellant grain. It is usually an assembly consisting of an electric squib, match composition, black powder, and magnesium powder.

*Hangfire.* A misfire that later fires from delayed ignition.

*Misfire.* A rocket does not fire when the firing circuit is energized.

*Motor.* The propulsive component of a rocket. It consists of the propellant, the igniter, and the nozzle(s).

*Propellant grain.* The solid fuel used in a rocket motor, which, upon burning, generates a volume of hot gases that stream from the nozzle and propel the rocket (also known as the propellant or propellant powder grain).

*Rocket.* A weapon propelled by the sustained reaction of a discharging jet of gas against the container of gas.

*Setback.* This term is applied when internal parts react to the acceleration of the rocket. Setback is a safety feature designed into those fuzes that use a gear-timing device.

*Thrust.* The force exerted by the gases produced by the burning of the rocket motor propellant.

### PRINCIPLES OF ROCKET PROPULSION

Rockets are propelled by the rearward expulsion of expanding gases from the nozzle of the motor. Burning a mass of propellant at high pressure inside the motor tube produces the necessary gas forces. Rockets function in an even vacuum. The propellant contains its own oxidizers to provide the necessary oxygen during burning.

As you read this section, refer to figure 2-1. To understand how a rocket operates, visualize a closed container that contains a gas under pressure. The pressure of the gas against all the interior surfaces is equal (view A). If the right end of the container is removed (view B), the pressure against the left end will cause the container to move to the left.

In the rocket motor, gases produced by the burning propellant are confined to permit a buildup of pressure to sustain a driving force. A Venturi-type nozzle (view C) restricts the size of the opening. The Venturi-type nozzle decreases the turbulence of escaping gases and increases the thrust. In this design, gas pressure inside the container provides about 70 percent of the force, and the escaping gases provide about 30 percent of the force necessary to move the container forward.

## ROCKET COMPONENTS

A complete round of service rocket ammunition consists of three major components—the motor, the warhead, and a fuze. A general description of these components is given in the following paragraphs.

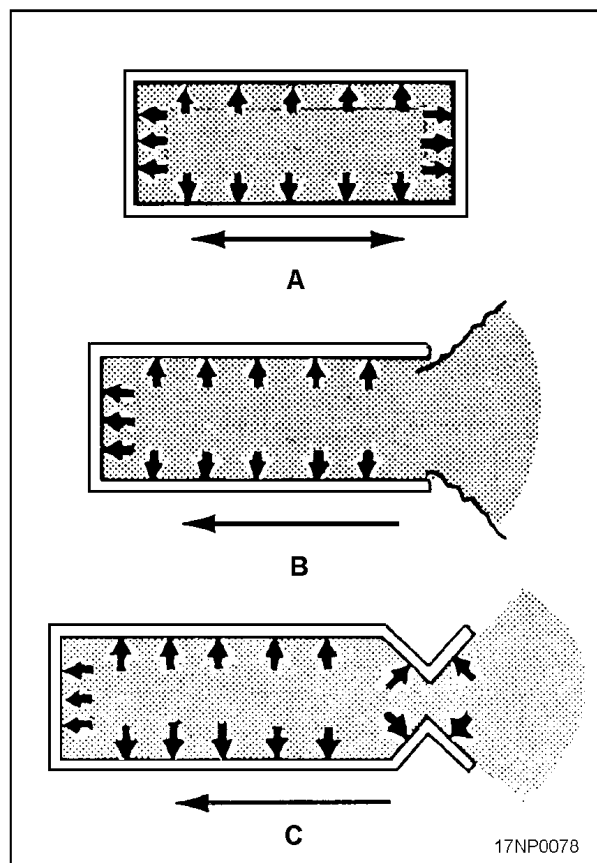


Figure 2-1.—Principles of rocket propulsion.

## Motors

The rocket motor consists of components that propel and stabilize the rocket in flight. Not all rocket motors are identical, but they do have certain common components. These components are the motor tube, propellant, inhibitors, stabilizing rod, igniter, and nozzle and fin assembly. The rocket motors discussed in the following paragraphs are for the 2.75-inch Mk 66 Mods 2 and 4, and 5.0-inch Mk 71 Mod 0 and 1.

**MOTOR TUBE.**—The motor tube supports the other components of the rocket. Presently, all motor tubes are aluminum, threaded internally at the front end for warhead installation, and grooved or threaded internally at the aft end for nozzle and fin assembly installation.

The Mk 66 Mods rocket motor tube is an integral bulkhead type of motor tube and is impact-extruded from aluminum stock. The forward end contains the head closure and threaded portion for attachment of the warhead. The integral bulkhead closure does not rupture when accidentally fired without a warhead and becomes propulsive when ignited. The center portion of the motor tube contains the propellant. The nozzle and fin assembly attaches to the aft end by a lock wire in a groove inside the tube.

The Mk 71 Mods rocket motor tube is basically an aluminum tube with an integral bulkhead closure. The forward end contains the head closure, igniter contact band, igniter lead, RAD HAZ barrier, and a threaded portion for attachment of the warhead. The center section is the combustion chamber and contains the igniter, propellant grain, stabilizing rod, and associated hardware. The aft end of the motor tube is threaded internally to accept the nozzle and fin assembly.

**PROPELLANTS.**—The propellant grain contained in the Navy's 2.75-inch and the 5.0-inch rocket motors is an internal burning, star perforation, double-base solid propellant. The star perforation is designed to produce a nearly constant thrust level.

The Mk 66 rocket motor has the star points machined off (conned) to reduce erosive burning.

**INHIBITORS.**—Inhibitors restrict or control burning on the propellant surface. In the 2.75-inch and the 5.0-inch motors, the propellant grains are inhibited at the forward and aft ends, as well as the entire outer surface. The forward and aft end inhibitors are molded plastic (ethyl cellulose) components bonded to the propellant ends. The outer surface inhibitor is spirally

wrapped ethyl cellulose tape bonded to the propellant surface.

Inhibitors cause the propellant grain to burn from the center outward and from forward to aft uniformly. If inhibitors weren't used, the burning surface of the propellant grain would increase, and result in an increased burning rate. This could cause the motor tube to explode from excessive pressure. If a motor is accidentally dropped and the propellant grain is cracked, the crack in the grain increases the burning surface and an identical hazard exists.

**STABILIZING ROD.**—The stabilizing rod, located in the perforation of the motor propellant grain, is salt coated to prevent unstable burning of the propellant. It also reduces flash and after burning in the rocket motor, which could contribute to compressor stall and flameout of the aircraft jet engines. When the propellant ignites, the stabilizing rod ensures that the grain ignites simultaneously forward and aft.

**IGNITER.**—The igniter heats the propellant grain to ignition temperature. The igniter used in the 2.75-inch motor is a disc-shaped metal container that contains a black powder and magnesium charge, a squib, and electrical lead wires. It is located at the forward end of the motor. The igniter used in the

5.0-inch motor is a disc-shaped metal container that contains a powder or pellets charge, two squibs, and electrical lead wires. It is located at the forward end of the motor. A contact disc or a contact band transmits the firing impulses to the motor igniter.

The 2.75-inch motor has electrical leads that extend from the squib through the wall of the igniter. They are routed through the propellant perforation to the nozzle fin assembly. One of the wires is connected to the nozzle plate (ground), and the other passes through either one of the nozzles or the fin-actuating piston to the contact disc on the fin retainer. In the Mk 66 Mod 2, both lead wires are connected directly to the HERO filter wires, which extend out of the forward end of the stabilizing rod. When the rocket is placed in the launcher, the contact disc is automatically in contact with an electrical terminal that transmits the firing impulse to the rocket.

The igniter in the 5.0-inch motor (fig. 2-2) has an electrical lead wire post that protrudes through the forward bulkhead closure. The electrical lead connects the igniter to the contact band. When the rocket is placed in the launcher, the contact band is automatically in contact with an electrical terminal, which transmits the firing impulse to the rocket. Until actually loaded into a launcher, a metal shielding band

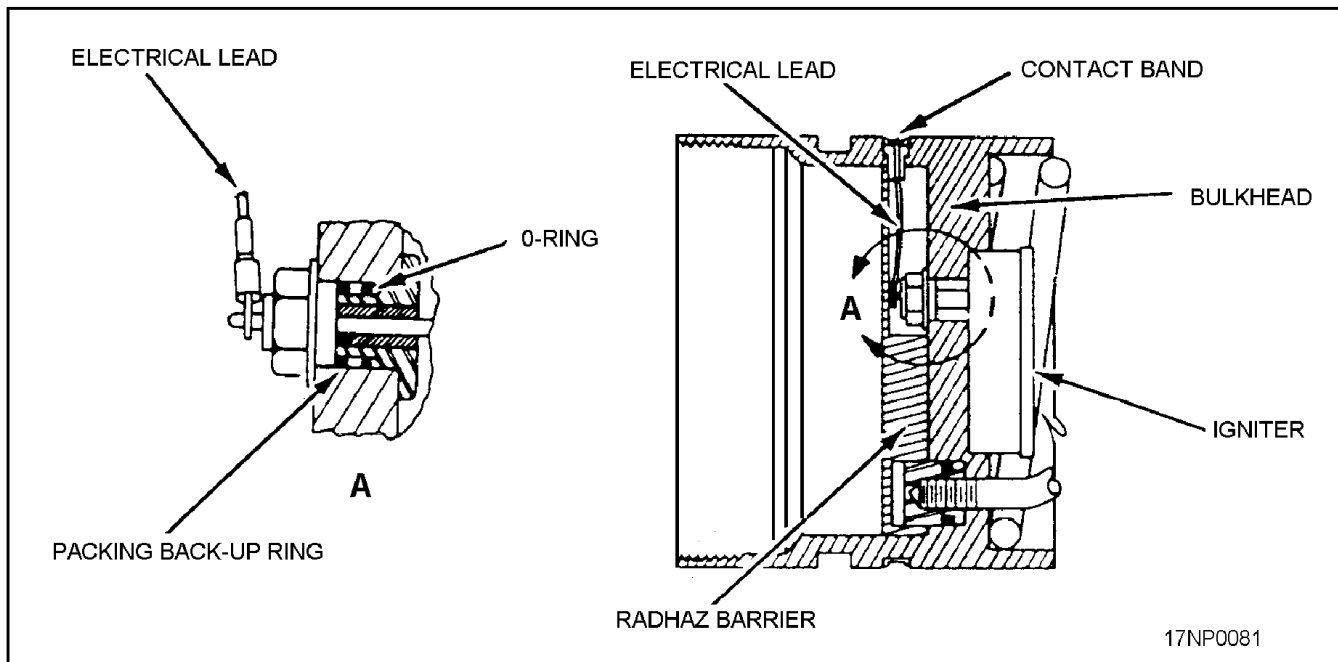


Figure 2-2.—Typical center electrical lead wire connection (5.0-inch motor).

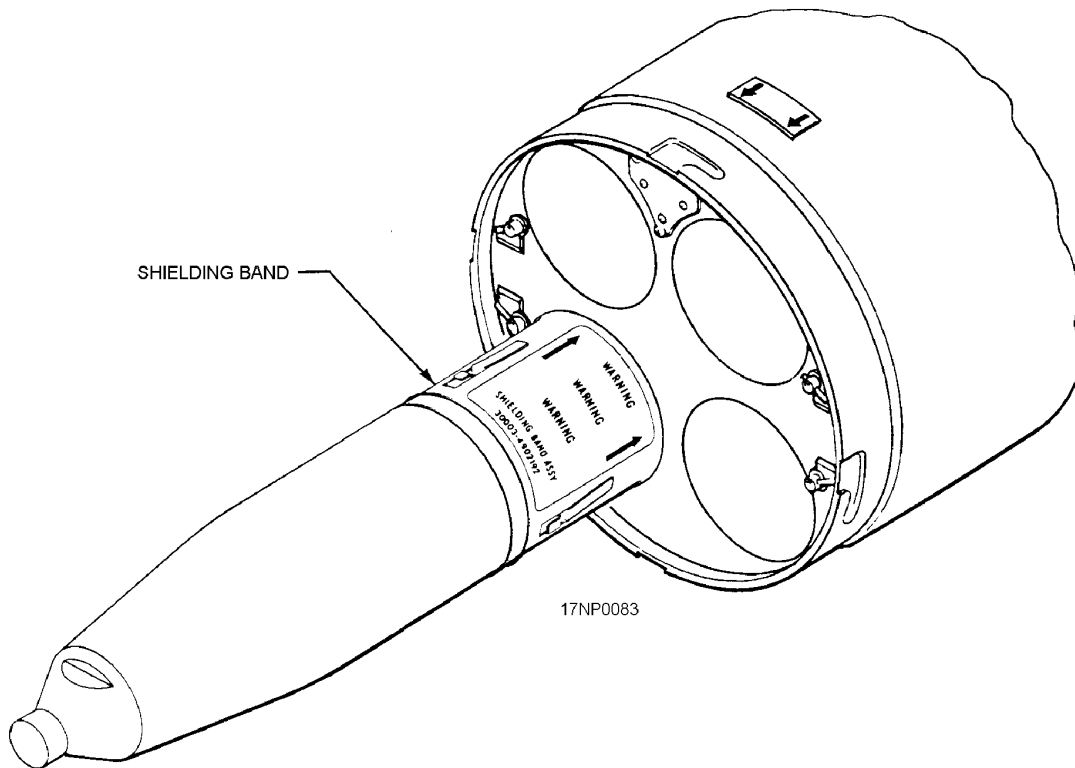


Figure 2-3.—Shielding band for 5.0-inch FFAR.

(fig. 2-3) is always in place over the ignition contact band.

**NOZZLE AND FIN ASSEMBLIES.**—The nozzle assembly for the Mk 66 consists of the nozzle

body, carbon insert, fins, contact band assembly, and weather seal.

Pivot pins attach the fins to lugs machined on the aft part of the nozzle plate. When folded, the fins lie within

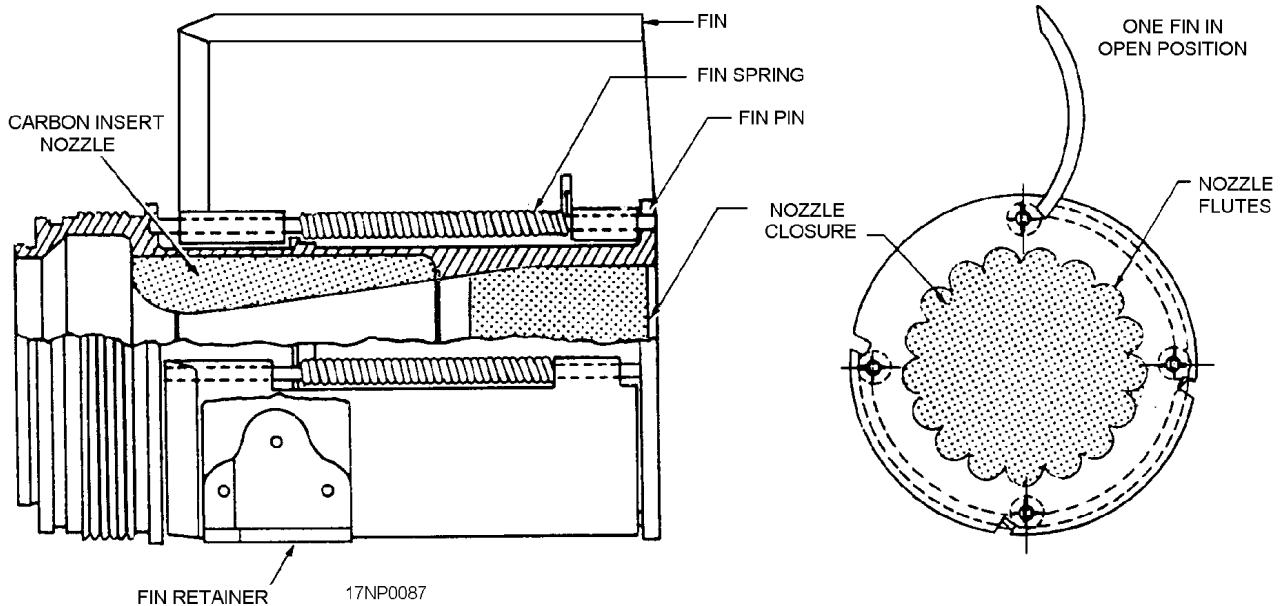


Figure 2-4.—Mk 71 Mods motor, nozzle, and fin assembly.



the 2.75-inch diameter of the rocket. The fins are notched at the tips to allow attachment of a fin retainer.

The fin-actuating mechanism is a steel cylinder and a piston with a crosshead attached to its aft end. When the rocket is fired, gas pressure from the motor operates the piston, cylinder, and crosshead. The crosshead is pushed against the heels of the fins, causing the fins to rotate on the fin pivot pins to the open position after the rocket leaves the launcher. After the fins have opened to the final flight position, the crosshead prevents the fins from closing.

There are four nozzle inserts and the detent groove in the aft end of the nozzle plate. They hold the rocket in position after it is loaded in the launcher.

The Mk 71 Mods motor has a modified igniter and a modified nozzle and fin assembly. The nozzle and fin assembly (fig. 2-4) contains four, spring-loaded, wraparound fins inside the motor diameter. The steel nozzle expansion cone has flutes that cause the rocket to spin during free flight. This permits the rocket to be launched from high-speed aircraft, helicopters, and low-speed aircraft.

The Mk 71 Mods spring-loaded fins (fig. 2-5) deploy after emerging from the rocket launcher tube. They lock in place (open) by sliding into a locking slot in the flange at the aft end of the fin nozzle assembly. When not actually installed in the launcher, the fins are held in the closed position by a fin retainer band, which must be removed when the rocket is installed into the launcher tube. The fin retainer band is not interchangeable with the shielding band.

### REVIEW NUMBER 1

- Q1. List the two rockets currently used by the Navy.
- Q2. If a rocket does not fire when the firing circuit is energized, it is known as a \_\_\_\_\_.
- Q3. What is meant by the rockets thrust?
- Q4. In rocket propulsion, the Venturi nozzle decreases turbulence of escaping gases and increases thrust. Gas pressure inside the container provides about \_\_\_\_\_, and the escaping gases provide about \_\_\_\_\_ to move the container forward.
- Q5. List the three components of a rocket.
- Q6. List the components of rocket motors.
- Q7. What is the purpose of the inhibitor?

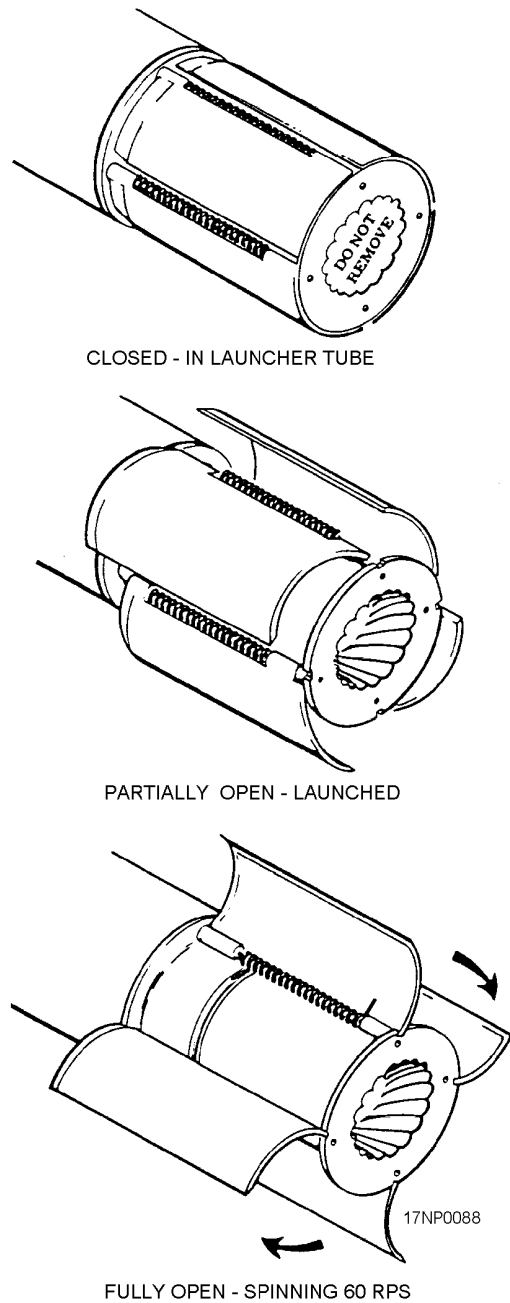


Figure 2-5.—Mk 71 Mods motor, nozzle, and fin assembly.

- Q8. What rocket component is salt coated to prevent unstable burning of the rocket propellant?
- Q9. When should you remove the fin retainer band on a Mk 71 rocket motor?

### Warheads

Different tactical requirements demand different types of rocket warheads be used with airborne rockets.

Warheads are classified as either 2.75 inch or 5.0 inch warheads. They may be further classified as high explosive, flechette, smoke, flare, or practice. Warheads for 2.75-inch rockets are normally received with the fuzes installed.

There are many different warheads, fuzes, and motor combinations available. Therefore, the following discussion is general. For specific component information, you should refer to *Aircraft Rocket Systems 2.75-inch and 5.0-inch NAVAIR 11-75A-92*.

High-explosive warheads contain high-explosive material (generally comp-B) surrounded by a metal case. An internally threaded nose fuze cavity permits the installation of a nose fuze or an inert nose plug, depending on tactical requirements. Some warhead configurations require the use of a base fuze. Base fuzes are installed at the factory and should never be removed. High-explosive warheads are painted olive drab and may have a narrow yellow band around the nose.

There are several types of high-explosive warheads, and each is designed for a specific type of target.

**HE-FRAG WARHEADS.**—High-explosive fragmentation (HE-FRAG) warheads (fig. 2-6) are used against personnel and light material targets, such as trucks and parked aircraft. Upon detonation, a large quantity of metal fragments accelerates to a high

velocity. This action damages the target. The types of HE-FRAG warheads currently in use are listed in table 2-1.

**REVIEW NUMBER 1 ANSWERS**

- A1. *The two rockets currently used by the Navy are the 2.75-inch Mighty Mouse and the 5.0-inch Zuni.*
- A2. *If a rocket does not fire when the firing circuit is energized, it is known as a misfire.*
- A3. *Thrust is the force exerted by the gases produced by the burning of the rocket motor propellant.*
- A4. *In rocket propulsion, the Venturi nozzle decreases turbulence of escaping gases and increases thrust. Gas pressure inside the container provides about 70% of the force, and the escaping gases provide about 30% of the force to move the container forward.*
- A5. *The three components of a rocket are the motor, warhead, and fuze.*
- A6. *The components of rocket motors include the motor tube, propellant, inhibitors, stabilizing rod, igniter, and nozzle and fin assembly.*
- A7. *The inhibitor restricts or controls burning on the propellant.*

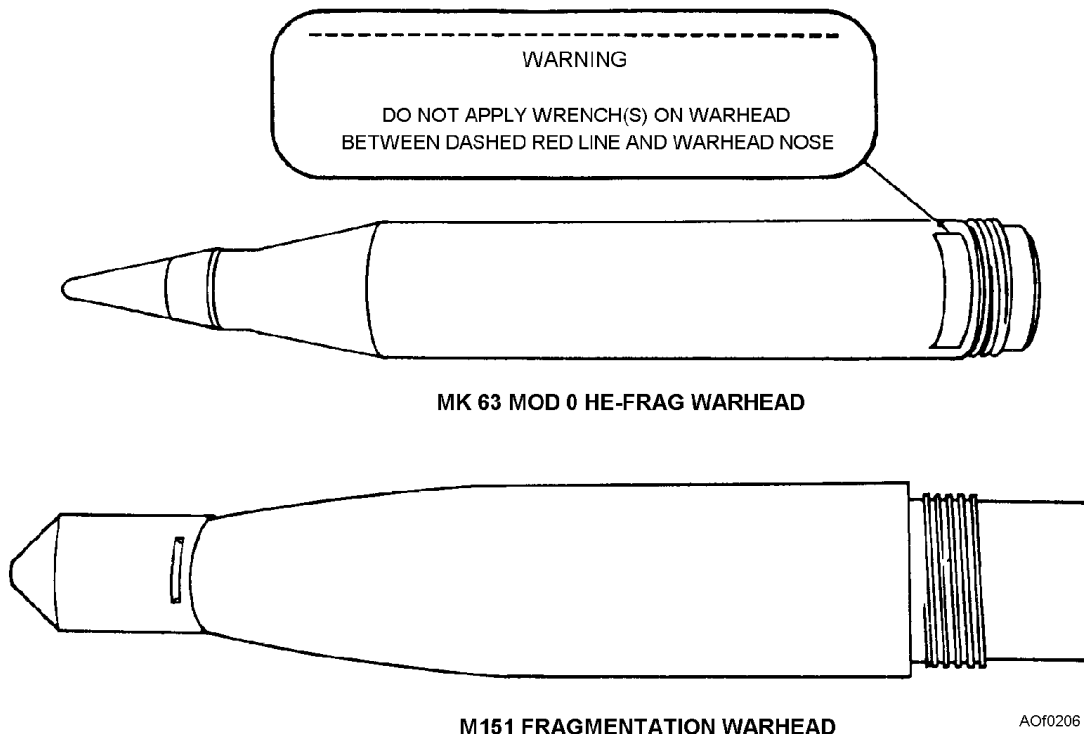


Figure 2-6.—High-explosive fragmentation (HE-FRAG) warheads.

Table 2-1.—Service Warheads

TYPE	2.75-INCH	5.0-INCH
HE-FRAG	M151	Mk 63 Mod 0
AT/APERS	-----	Mk 32 Mod 0
GP	-----	Mk 24 Mod 0
FLECHETTE	WDU-4A/A	-----
SMOKE	M156	Mk 34 Mods 0 and 1
	Mk 67 Mod 0	
FLARE	M257	Mk 33 Mod 1
	M278 IR	

- A8. *The stabilizing rod is salt coated to prevent unstable burning of the rocket propellant.*
- A9. *You should remove the fin retainer band on the Mk 71 rocket motor when the rocket is installed into the launcher tube.*

**AT/APERS WARHEAD.**—The high-explosive antitank/antipersonnel (AT/APERS) warhead (fig. 2-7) combines the effectiveness of the HE-FRAG and HEAT warheads. The explosive shaped-charge in the AT/APERS warhead detonates at the aft end, producing the jet from the cone at the forward end. The booster in the aft end detonates the warhead by transmitting an explosive impulse along a length of detonating cord. It connects the booster charge to the initiating charge, which is next to the nose fuze. The combination of an

instantaneous-acting nose fuze and rapid-burning detonating cord permits detonation of the explosive load in time for the shaped-charge to produce its explosive jet before being disintegrated upon target impact. The only AT/APERS warhead currently in use is the Mk 32 Mod 0.

**GP WARHEAD.**—The high-explosive, general-purpose (GP) warhead (fig. 2-8) is a compromise between the armor-piercing and the fragmentation designs. The walls and nose section are not as strong as those of an armor-piercing warhead, yet they are stronger than those of a fragmentation warhead. The explosive charge is greater than that in the armor-piercing warhead, but less than that in the fragmentation warhead.

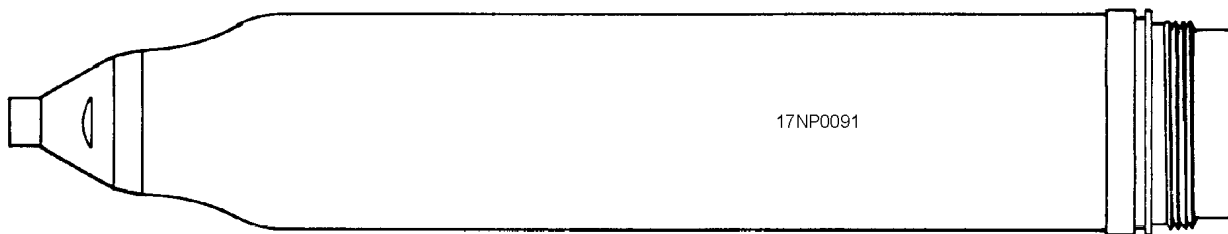


Figure 2-7.—Mk 32 Mod 0 AT/APERS warhead.

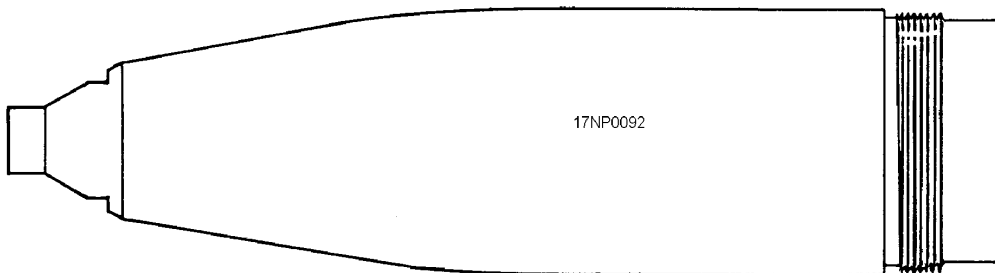


Figure 2-8.—Mk 24 Mod 0 high-explosive, general-purpose (GP) warhead.

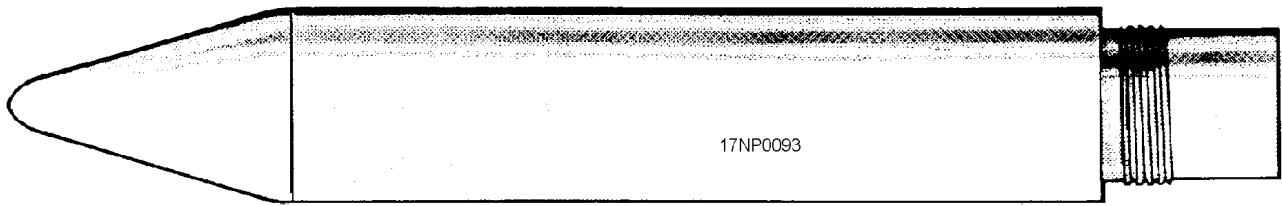
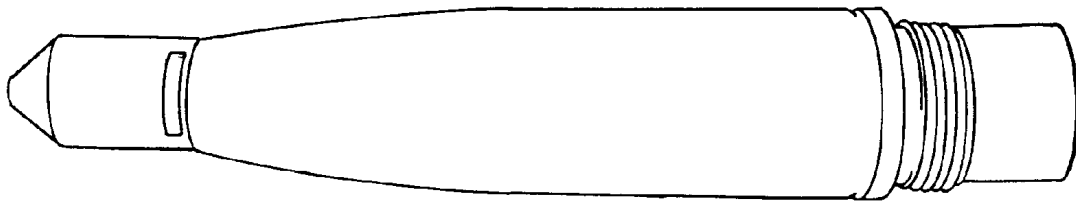


Figure 2-9.—WDU-4A/A flechette warhead.

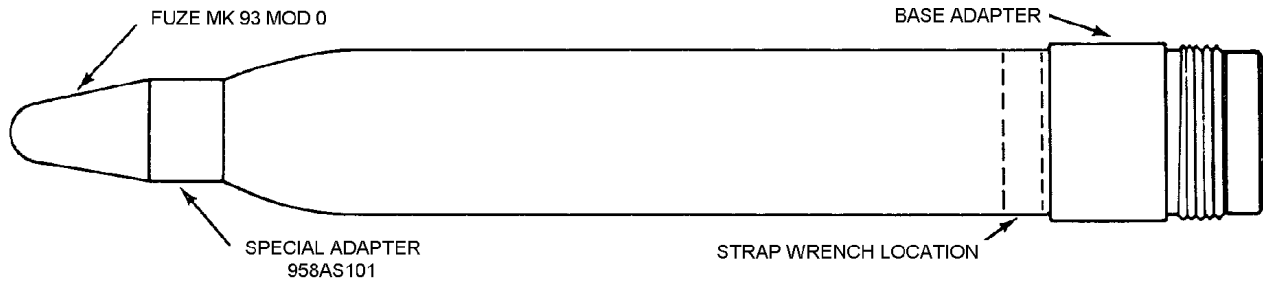
The GP warhead is used against a variety of targets. Maximum penetration is obtained by using a solid nose plug and the delayed-action base fuze. Its maximum blast effect is obtained by using an instantaneous-acting

nose fuze. The only GP warhead currently in use is the Mk 24 Mod 0.

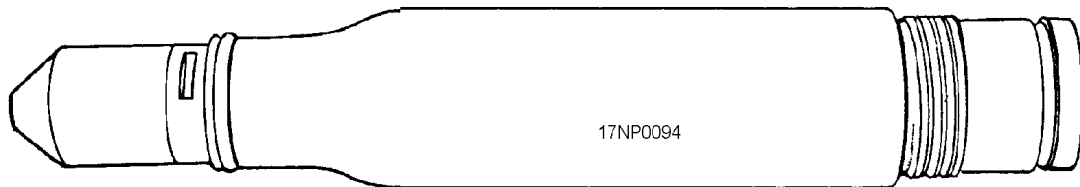
**FLECHETTE WARHEADS.**—Flechette warheads (fig. 2-9) are used against personnel and light



M156 SMOKE WARHEAD



MK 34 MOD 0 WARHEAD



MK 67 MOD 0 SMOKE WARHEAD

Figure 2-10.—Smoke warheads.

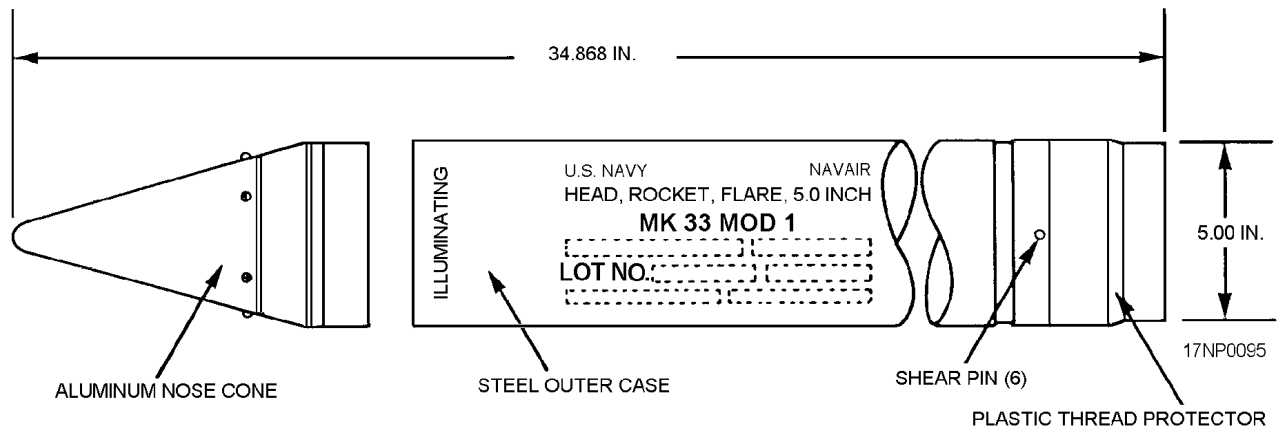


Figure 2-11.—Mk 33 Mod 1 flare warhead.

armored targets. These warheads contain a large number of small arrow-shaped projectiles. A small explosive charge in the base fuze of the warhead dispenses the flechettes through the nose of the warhead after rocket motor burnout. Target damage is caused by impact of the high-velocity flechettes.

**SMOKE WARHEADS.**—Smoke warheads (fig. 2-10) are used to produce a volume of heavy smoke for target marking. The warhead contains a burster tube of explosives, usually comp-B, which bursts the walls of the warhead, dispersing the smoke. These warheads are designated SMOKE, followed by the abbreviation for the smoke producing agent it contains. For example, WP for white phosphorus, or PWP for plasticized white phosphorus. The types of smoke warheads currently in use are listed in table 2-1.

**FLARE WARHEADS.**—Flare warheads (fig. 2-11) are used to illuminate tactical operations. They consist of a delay-action fuze, an illuminating candle, and a parachute assembly. The fuze ignites the expelling charge, which separates the case from the candle and parachute assembly. The wind stream forces the parachute open, suspending the burning candle. The only flare warhead currently in use is the Mk 33 Mod 1.

**PRACTICE WARHEADS.**—Practice warheads are either dummy configurations or inert-loaded service warheads. In the inert-loaded service warheads, the weight and placement of the filler gives the practice warhead the same ballistic characteristics as the explosive-loaded service warhead. A steel nose plug is assembled in the practice heads in place of the nose fuze. The entire surface, except for the stenciled marking, is painted blue. The practice warheads currently in use are listed in table 2-2.

Table 2-2.—Practice Warheads

2.75-INCH	5.0-INCH
WTU1/B	Mk 6 Mod 7
M230	Mk 32 Mod 1
	Mk 24 Mod 0
	WTU-11/B

### REVIEW NUMBER 2

- Q1. What color are high-explosive rocket warheads?
- Q2. What type of targets are HE-FRAG warheads used against?
- Q3. The AT/APERS warhead is an effective combination of what other warheads?
- Q4. What warhead contains a large number of small, arrow-shaped projectiles?
- Q5. Smoke warheads produce a volume of heavy smoke for \_\_\_\_\_.
- Q6. What warhead is used to illuminate tactical operations?

### Fuzes

Rocket fuzes are primarily classified by their location in the warhead; for example, nose fuze or base fuze. They are further classified by mode of operation, such as impact-firing, mechanical-time, acceleration and deceleration, or proximity. All fuzes contain safety/arming devices to prevent detonation during normal transporting, handling, and launching of the complete rocket.

A representative fuze from each class is discussed in the following paragraphs. The fuzes currently in use and their primary application are listed in table 2-3. For more detailed information on fuzes, refer to *Aircraft Rocket Systems 2.75-inch and 5.0-inch NAV-AIR 11-75A-92*.

### REVIEW NUMBER 2 ANSWERS

- A1. *High-explosive rocket warheads are painted olive drab and may have a narrow yellow band around the nose.*
- A2. *HE-FRAG warheads are used against personnel and light material targets, such as trucks and parked aircraft.*
- A3. *The AT/APERS warhead is an effective combination of the HE-FRAG and HEAT warheads.*
- A4. *The flechette warhead contains a large number of small, arrow-shaped projectiles.*
- A5. *Smoke warheads produce a volume of heavy smoke for target marking.*
- A6. *The flare warhead is used to illuminate tactical operations.*

**IMPACT FIRING FUZES.**—Impact firing fuzes (fig. 2-12) function when the rocket strikes a target that offers sufficient resistance to cause crushing or other disarrangement of actuating parts.

All current impact firing rocket fuzes have the same type of safety/arming mechanism. This mechanism consists of an unbalanced rotor, which, under setback forces, drives a gear-train timing system. A given minimum acceleration over a given length of time is required to complete the arming cycle. If rocket acceleration is too low or extends over too short a period of time, the arming mechanism returns to the unarmed condition. The timing mechanism provides a safe separation distance from the launcher before arming.

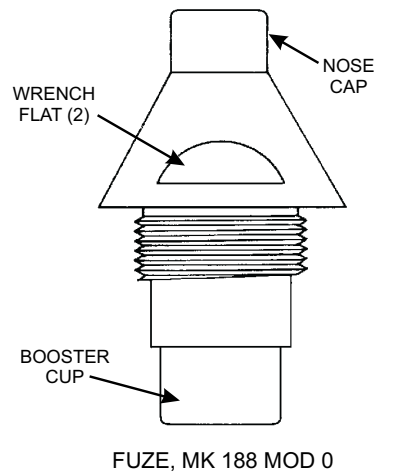
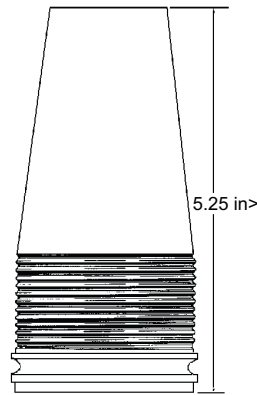
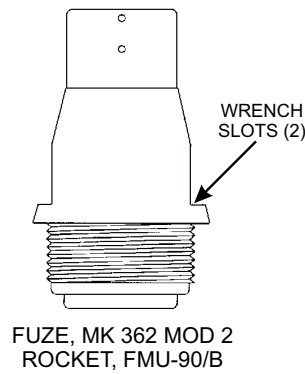
When located in the nose of the warhead, impact firing fuzes are known as point-detonating (PD) fuzes. If they are located in the base of the warhead, they are known as base-detonating (BD) fuzes. Nose and base fuzes function either instantaneously or after a short delay that gives the warhead time to penetrate the target before functioning.

**MECHANICAL TIME FUZES.**—Mechanical time fuzes (fig. 2-13) function by the action of a mechanical timer. These fuzes contain a safety/arming device and a clock mechanism. The arming mechanism is similar to those in impact detonating fuzes and requires a minimum acceleration over a given time to complete the arming cycle. Upon arming, the mechanical timer is started, and after a set elapsed time, the fuze initiates the firing train.

The Mk 193 Mod 0 is the only mechanical time rocket fuze currently in use. It is permanently installed in the nose of the Mk 33 Mod 1 flare warhead.

**Table 2-3.—Rocket Fuzes**

FUZE	CLASSIFICATION	APPLICATION
Mk 188 Mod 0	Nose impact (PD)	5.0-inch
Mk 352 Mod 2	Nose impact (PD)	2.75-inch and 5.0-inch (Note 1)
FMU-90/B	Nose impact (PD)	5.0-inch (Note 1)
M423	Nose impact (PD)	2.75-inch (Note 2)
M427	Nose impact (PD)	2.75-inch
Mk 191	Base detonating impact (BD)	5.0-inch
Mk 193 Mod 0	Mechanical time	5.0-inch
Model 113A	Acceleration-deceleration	2.75-inch
Mk 93 Mod 0/M414A1	Proximity	5.0-inch
Note 1: Requires use of BBU-15/B adapter booster for 5.0-inch configurations.		
Note 2: Designed for use with 2.75-inch LSFFARs only.		



AO10212

Figure 2-12.—Impact firing fuzes.

**ACCELERATION-DECELERATION FUZES.—**

Acceleration-deceleration fuzes are similar to impact and time fuzes because they require acceleration for a given time to complete the arming cycle. After the arming cycle is completed and the rocket velocity begins to drop, deceleration causes the fuze to function.

The Model 113A is the only acceleration-deceleration fuze in use by the Navy at this time. It is a base-mounted fuze that is permanently installed in the WDU-4A/A flechette warhead.

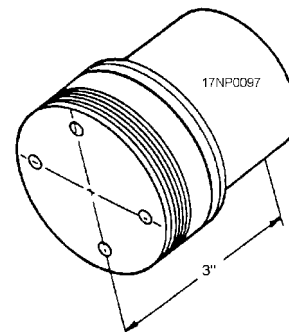


Figure 2-13.—Mk 193 Mod 0 mechanical time fuze.

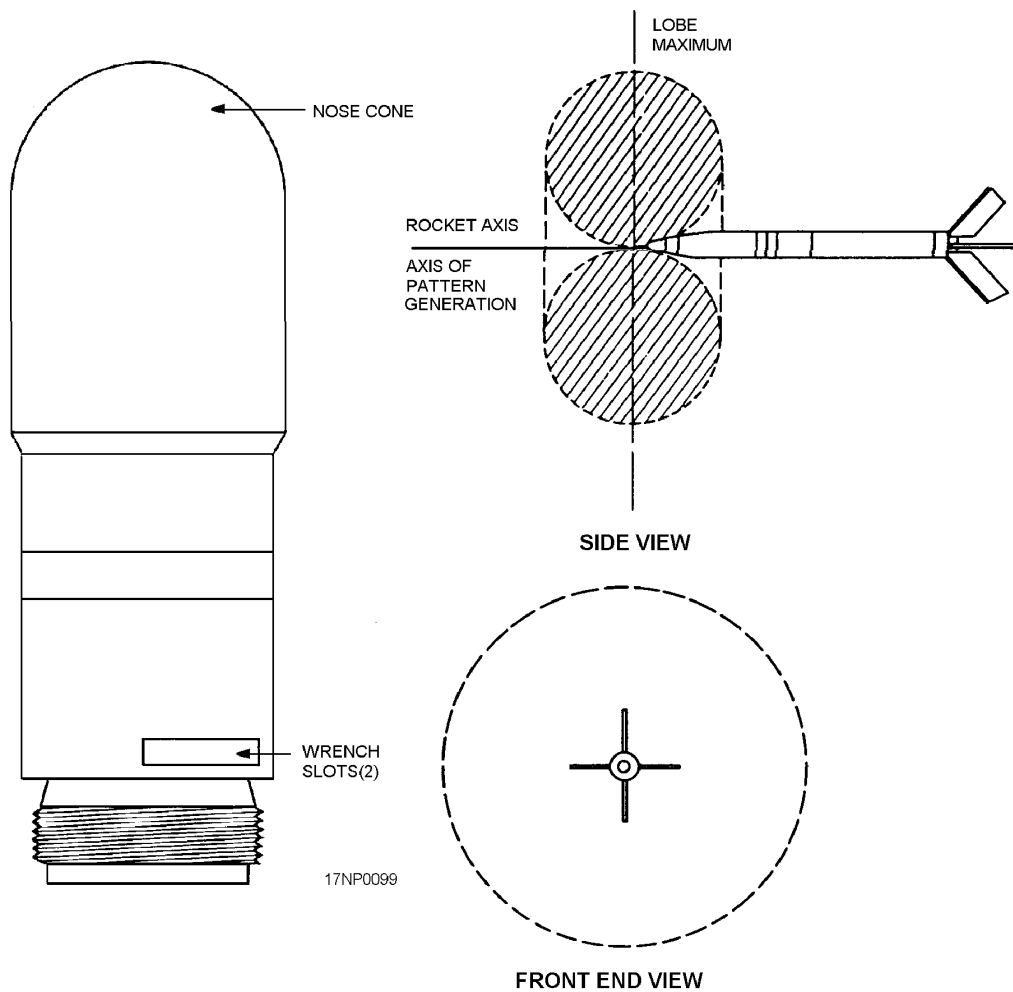


Figure 2-14.—Proximity fuze.

**PROXIMITY FUZES.**—Proximity fuzes, sometimes referred to as VT fuzes (fig. 2-14), initiate by "sensing," usually by electronic means, the presence and distance of a target. Proximity fuzes are primarily used in air-to-ground operations where air bursts above the target are desired. They are not suitable for use against targets that require penetration and detonation within the target for effective destruction.

In general, proximity fuzes consist of an electronics package in the forward end, a thermal battery, a safety/arming device, and an explosive booster in the base. The arming mechanism is similar to those in impact detonating fuzes, and it requires a minimum acceleration over a given time to complete the arming cycle.

**NOTE:** Some rocket fuzes designed for use with 2.75-inch warheads can be used with the 5.0-inch warhead by using the BBU-15/B adapter booster (fig. 2-15).

### REVIEW NUMBER 3

Q1. When classified by their mode of operation, fuzes are classified as \_\_\_\_\_.

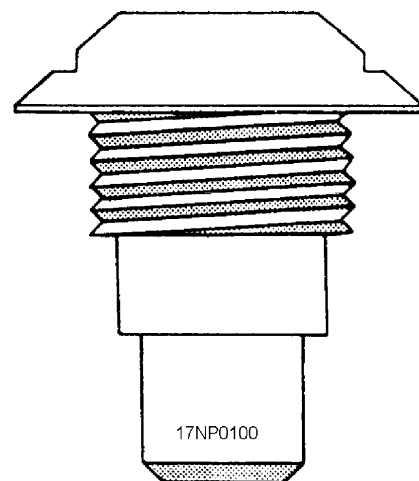


Figure 2-15.—Adapter booster BBU-15/B.



- Q2. *At what point does the impact-firing fuze function?*
- Q3. *List the two types of impact firing fuzes.*
- Q4. *At what point does the mechanical time fuze initiate the firing train?*
- Q5. *In acceleration-deceleration fuzes, what force causes the fuze to function?*
- Q6. *Name the fuze that senses, usually by electronic means, the presence and distance of a target.*

## **SERVICE ROCKET ASSEMBLIES**

Airborne rockets, consisting of fuzes, warheads, and motors, are combined and assembled in various configurations to meet specific tactical requirements. For example, a rocket assembly that consists of a fragmentation warhead armed with a proximity fuze is entirely unsuitable for use against an armored tank or bunker. Likewise, the GP warhead fuzed only with the Mk 191 base fuze is relatively ineffective against personnel or unarmored targets. With each specific type of target, the right combination of warhead, fuze, and motor is assembled from the wide variety of components available.

### **2.75-Inch FFAR and LSFFAR**

The 2.75-inch airborne rocket is an effective air-to-ground weapon against most targets. The FFAR is an air-to-air weapon. Fired in large numbers to produce a shotgun pattern, FFARs are carried and launched from 7- or 19-round launcher packages. These packages are described later in this chapter.

The LSFFAR is accurately and safely launched from low-speed aircraft and helicopters. Because of their spin feature, they cannot be ripple fired. LSFFARs are fired singly from 7- or 19-round launchers that have single-fire capability.

The 2.75-inch rockets are received through the supply system in three configurations as follows:

1. Complete rounds in 7- or 19-tube launchers, or in wooden boxes
2. Rocket motors in 7-tube launchers, and the fuze-warhead combination in separate shipping containers
3. Separate components in authorized shipping containers

Squadron ordnancemen based ashore order and may assemble components for current operations. Aboard ship, weapons department ordnancemen assemble the components according to the ship's air and load plan. They deliver these assemblies to squadron ordnancemen for loading onto aircraft.

For detailed information, such as authorized assemblies, safety precautions, and restrictions, you should refer to *Aircraft Rocket Systems 2.75-inch and 5.0-inch NAVAIR 11-75A-92*. You can find additional information in specific aircraft loading and tactical manuals.

### **5.0-Inch FFAR**

Like the 2.75-inch rocket, the 5.0-inch FFAR can be assembled in various warhead and fuze combinations. The Mk 71 motor gives the additional advantage of one motor for all launch-speed applications.

The 5.0-inch rocket is carried and launched from multiple-round launchers. Because of their large size and weight, the number of rounds per launcher is reduced to four. The 5.0-inch rockets are received through the supply system in the following two configurations:

1. Rocket motors in a 4-round launcher and fuzes and warheads in separate shipping containers

**NOTE:** The Mk 191, Mk 193, and Model 113A fuzes are permanently installed in the warheads.

2. Separate components in separate shipping containers

## **REVIEW NUMBER 4**

- Q1. *What is the usual configuration of the 2.75-inch airborne rocket?*
- Q2. *Aboard ship, who assembles rocket components for current operations?*

## **REVIEW NUMBER 3 ANSWERS**

- A1. *When classified by their mode of operation, fuzes are classified as impact firing, mechanical time, acceleration-deceleration, or proximity.*
- A2. *Impact-firing fuzes function when the rocket strikes the target that offers enough resistance to cause actuation of the parts.*

**Table 2-4.—2.75-Inch Rocket Launchers**

LAUNCHER TYPE	NO. OF TUBES	TUBE MATERIAL	REUSABLE	METHOD OF FIRING
LAU-61C/A	19	Alum.	Yes	Ripple or Single
LAU-68D/A	7	Alum.	Yes	Ripple or Single

- A3. *The two types of impact firing fuzes are the point detonating and base detonating types.*
- A4. *Upon arming, the mechanical timer starts, and after a set time, the mechanical time fuze initiates the firing train.*
- A5. *In acceleration-deceleration fuzes, deceleration causes the fuze to function.*
- A6. *Proximity fuzes sense, usually by electronic means, the presence and distance of a target.*

**AIRCRAFT ROCKET LAUNCHERS**

**LEARNING OBJECTIVE:** *Recognize the shipping configuration for aircraft rocket launchers and identify common aircraft rocket launcher components.*

Aircraft rocket launchers (pods) carry and provide a platform to fire rockets. Launcher design permits multiple loading and launching of 2.75-inch and 5.0-inch rockets. Rocket pods let rocket motors (and, in some cases, completely assembled rounds) stay in the same container from their manufacture, through stowage, to their final firing.

Aircraft rocket launchers are classified as either 2.75-inch or 5.0-inch. They may be further classified as either reusable or nonreusable. Launcher tubes that are constructed of metal are considered reusable and are

usually returned for reloading. Under certain conditions, they may be jettisoned at the pilot's discretion.

The 2.75-inch rocket launchers currently in use are the LAU-61C/A and LAU-68D/A. Characteristics and specifications for these launchers are listed in table 2-4. For detailed information about the LAU-61 and LAU-68 series launchers, refer to *Aircraft Rocket Systems 2.75-inch and 5.0-inch NAVAIR 11-75A-92*.

The 5.0-inch rocket launchers are the LAU-10B/A, LAU-10C/A, and the LAU-10D/A. Characteristics and specifications for these launchers are listed in table 2-5. For detailed information on the LAU-10 series launchers, you should refer to *Aircraft Rocket Systems 2.75-inch and 5.0-inch NAVAIR 11-75A-92*.

**SHIPPING CONFIGURATION**

The rocket launcher-shipping configuration shown in figure 2-16 is typical of all launcher-shipping configurations, except for the RF barriers.

**Center Section**

The launcher center section is a cylindrical construction of 4, 7, or 19 tubes held together by a supporting framework, and it is covered with an aluminum skin. The center section houses or supports all other components of the launcher.

**Table 2-5.—5.0-Inch Rocket Launchers**

LAUNCHER TYPE	NO. OF TUBES	TUBE MATERIAL	REUSABLE	METHOD OF FIRING
LAU-10B/A	4	Alum.	Yes	Ripple or Single
LAU-10C/A	4	Alum.	Yes	Ripple or Single
LAU-10D/A	4	Alum.	Yes	Ripple or Single

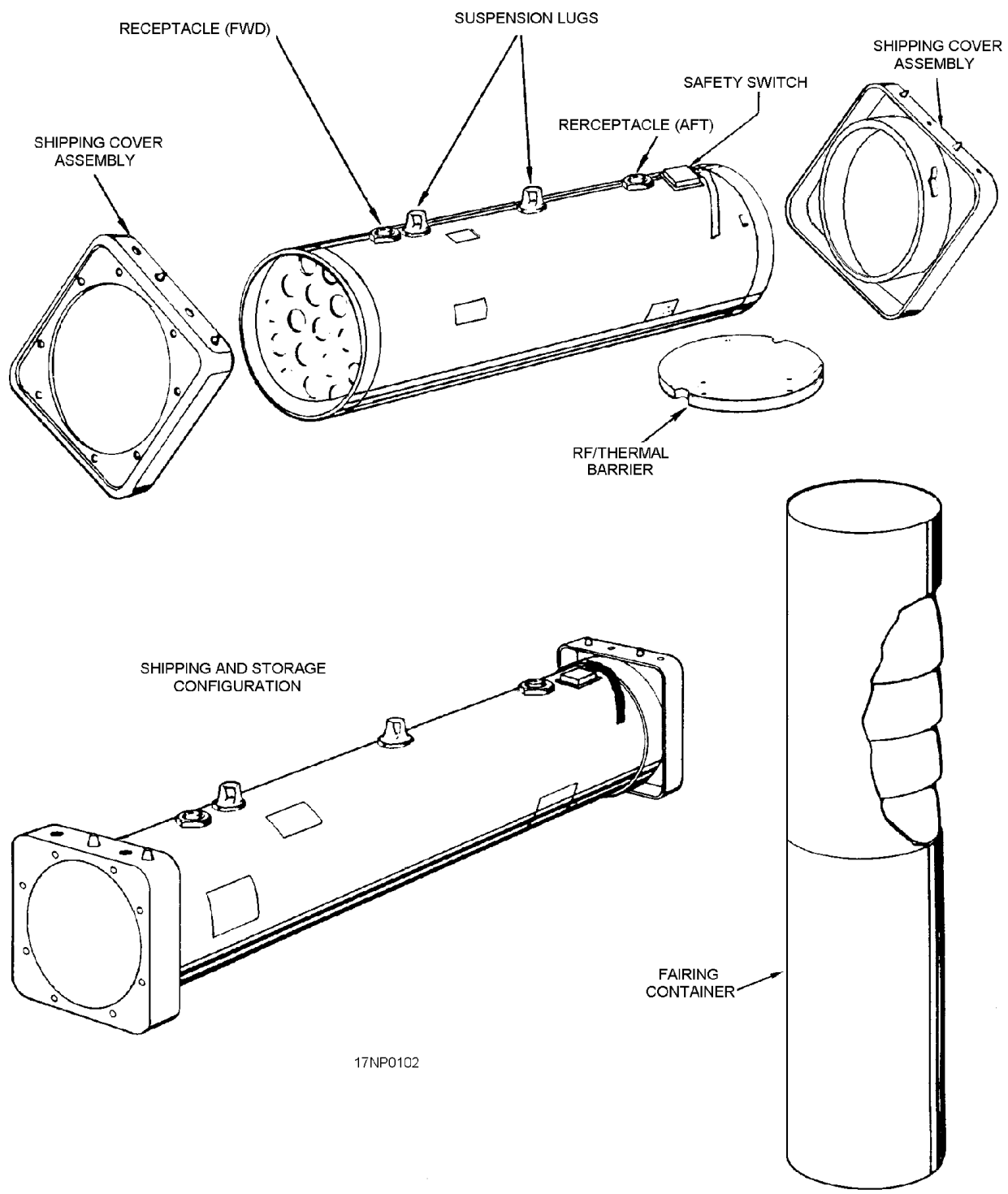


Figure 2-16.—Typical launcher shipping and storage configuration.

The center section for the LAU-10 (series) allows either 14-inch or 30-inch suspension. The center section for the LAU-61 and LAU-68 (series) provides for 14-inch suspension only.

### Shipping Ends

The shipping ends are a multipurpose arrangement that consists of a shockpan assembly, a shockpan cover

assembly, and/or locking ring assembly. An alternate hole and pin arrangement on the top and bottom is arranged so that the shockpans interlock when the launchers are stacked. The cover is equipped with a rubber seal ring that, when compressed by the locking ring assembly, forms a watertight closure over the end of the launcher.

### **RF/Thermal Barriers**

RF/Thermal barriers consist of a molded, expanded, polystyrene bead base with an aluminum foil coating cemented to the outer surface. RF/Thermal barriers are used on 2.75-inch pods to prevent the entry of electromagnetic radiation into the rocket igniter circuit. Equally important is the barrier on the aft end of the pod. It prevents exposure of the igniter lead contact. The LAU-61 and LAU-68 use the aft barrier only. The barriers remain installed for flight and are removed by impact or blast when the rocket is fired.

### **COMMON COMPONENTS**

Rocket launcher packages have several components that are common to all or most launcher packages. Any notable differences are pointed out in the following discussion.

#### **REVIEW NUMBER 4 ANSWERS**

- A1. *The 2.75-inch airborne rocket is used as an air-to-ground weapon against most targets.*
- A2. *Aboard ship, weapons department ordnancemen assemble rocket components according to ships and load plans, and deliver them to the squadron ordnancemen who load them onto the aircraft.*

### **Fairings**

Frangible fairings (fig. 2-17) are made of an impregnated molded fiber designed with a waffle- or grenade-type structure that shatters readily upon rocket impact or from a blast. The fairings fit flush with the outside surface of the center section and form an aerodynamically smooth joint. The forward fairing consists of a one-piece molded section that disintegrates on rocket impact. The tail fairing for the LAU-10 (series) (fig. 2-17, view A) is molded in two sections (nose and base). The rocket blast shatters the nose portion. The base section remains on the launcher and acts as a choke or funnel to direct debris away from the aircraft. The tail fairings for the LAU-61 and

LAU-68 (series) are distinctively different in appearance (fig. 2-17, view B). They are made of aluminum and are open on both ends. They function in the same manner as the base section of the tail fairing for the LAU-10 (series).

Fairings are not shipped with the rocket launcher packages. They must be ordered separately and are received in sets packaged in cylindrical-shaped cardboard fairing containers (fig. 2-16).

Fairings are not used in all applications. You should review the specific aircraft tactical manual for any restrictions in their use.

### **Breaker Switch**

A breaker switch is used on all rocket launchers. The breaker switch is a safe-arm device that prevents loaded rockets from firing. It is usually located on the top of the center section of the launcher between the aft end and the aft electrical receptacle.

With the detent pin installed in the breaker switch, the electrical system is grounded in the safe position and the rockets won't fire. The detent pin has a REMOVE BEFORE FLIGHT red streamer attached. Pull the pin immediately before the aircraft takes off and install it immediately after the aircraft lands.

Install the detent pin in the breaker switch before loading the launcher with rocket motors. Keep detent pin installed, except during actual flight, until the launcher is downloaded and/or verified as being empty.

### **Mode Selector Switch**

The mode selector switch is used on all launchers. The switch is located in the aft bulkhead of the launcher. The switch permits preflight selection of either ripple or single firing of the rockets by controlling the functioning of the pod intervalometer.

### **Intervalometer**

The intervalometer for the LAU-10 (series) pods is located in the forward bulkhead of the center section and in the aft bulkhead for the LAU-61 and LAU-68 (series). Intervalometers, whether installed in 5.0-inch or 2.75-inch launchers, perform the same function.

If the mode selector switch is in the SINGLE fire position, the intervalometer fires one rocket on each firing pulse. If the mode selector switch in the 19-shot pod is in the SINGLE fire position, the intervalometer fires the rockets in pairs. If the mode selector switch is

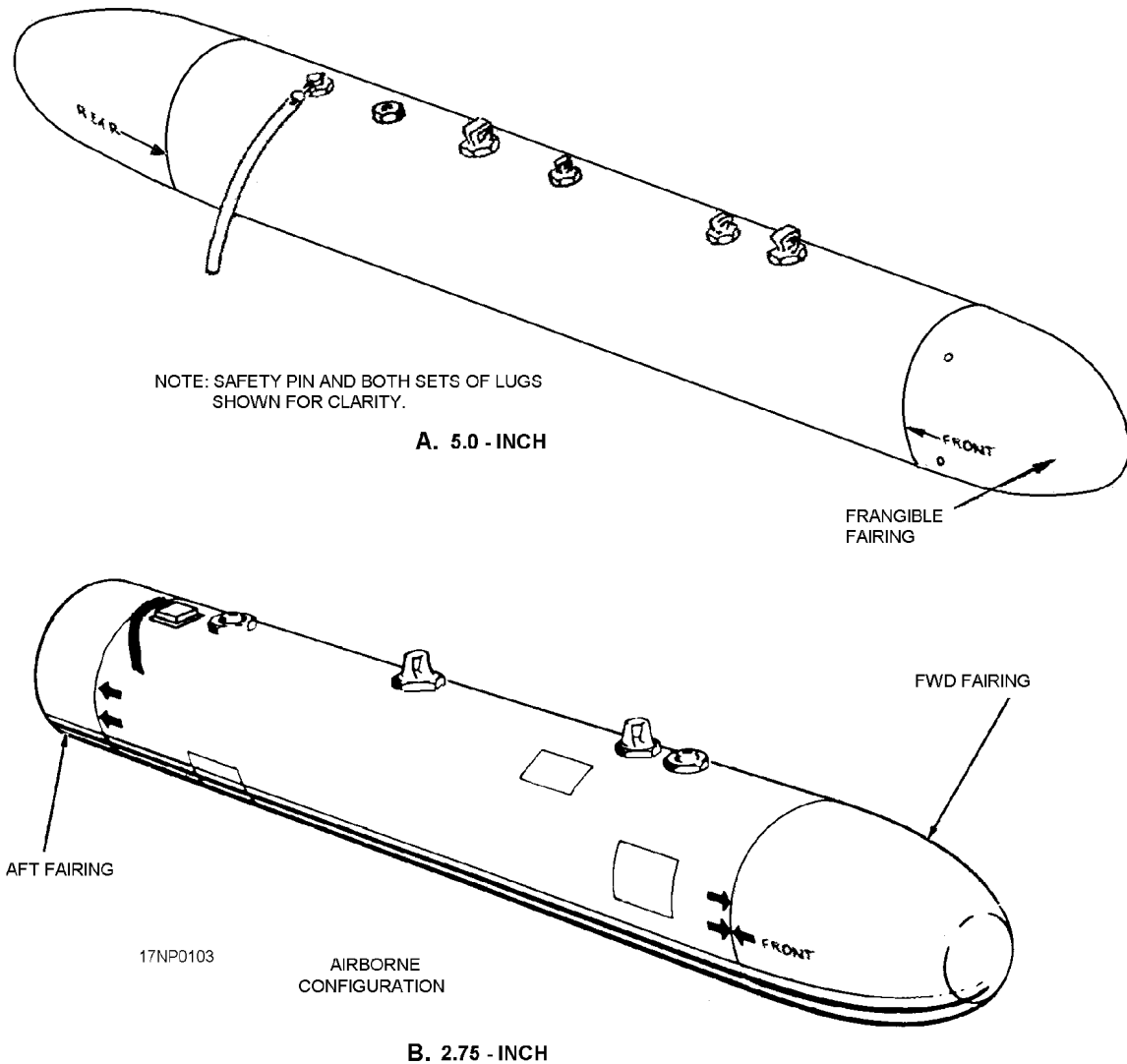


Figure 2-17.—Rocket launcher airborne configurations.

in the RIPPLE fire position, the intervalometer converts the firing pulse into a ripple pulse and successively fires all rockets at 95-millisecond intervals. Ripple firing operates the same on all pods.

The intervalometer used with the 2.75-inch pod has a shaft that extends through the aft bulkhead of the launcher and a knurled knob with a reference (index) mark mounted on the shaft. Intervalometer switch positions are marked on the aft bulkhead of the center section. **The intervalometer should NOT be manually rotated through the numbered positions except when checking an empty pod.**

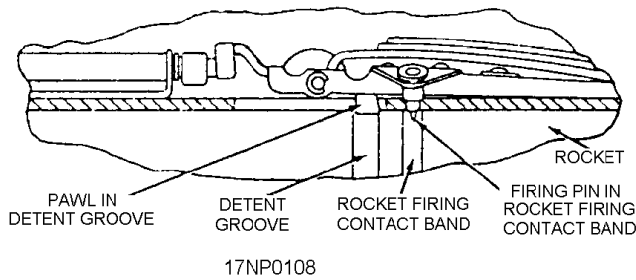
Intervalometers used in the LAU-10 (series) pods cannot be manually rotated. When the intervalometer has made a complete four-round firing cycle, it

automatically homes in on the original starting point (zero) and does not recycle without first de-energizing the circuit, and then re-energizing it.

### 5.0-INCH (SERIES) LAUNCHERS

The LAU-10 (series) launchers are reusable launchers intended for shipping (without warheads), stowing, and firing four 5.0-inch rockets. When loaded with four completely assembled rounds, the total weight varies with rocket configuration from 500 to 550 pounds.

The rockets are retained in the launcher tubes during shipping, handling, and flight by engagement of a spring-loaded detent pawl in the rocket detent groove



**Figure 2-18.—LAU-10 (series) detent pin and firing pin assembly.**

(fig. 2-18). When the rocket is loaded and unloaded, a detent lift tool is used to raise and lower the detent pawl by rotating the detent lift handle, which is located at the forward end of the launcher. The detent also supports the firing pin. Each firing pin (fig. 2-18) is part of the detent assembly and is raised and lowered concurrent with the pawl. The firing pin extends into the tube and contacts the rocket firing contact band, which is located aft of the rocket detent groove.

When the switch in the aircraft firing circuit is closed, electrical current flows from the aircraft firing circuit through the electrical receptacle, safety switch, mode selector switch, intervalometer, and the firing pin in the launcher to the contact band in the forward end of the motor, and through the lead wire to the squib in the igniter. The current entering the rocket squib heats the

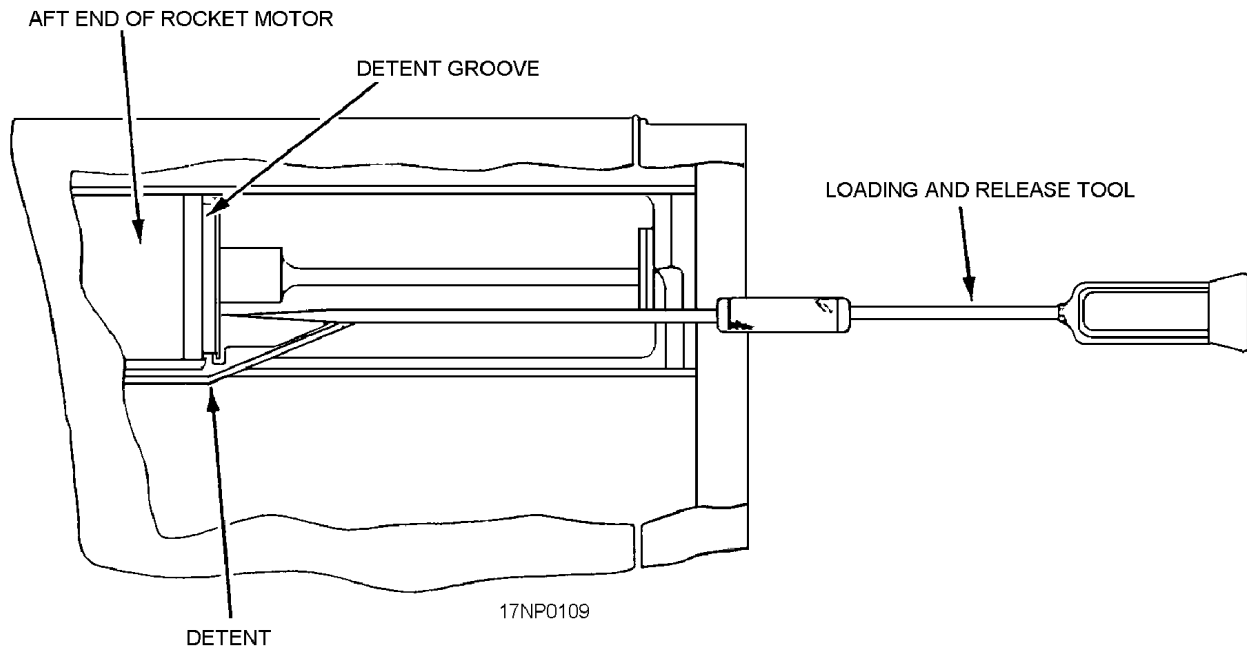
squib primer mixture, which, in turn, ignites the igniter charge.

Pressure within the igniter unseats a blowout plug, permitting the burning charge to ignite the propellant grain. The whole process of ignition requires about 0.005 second. Pressure of the hot propellant gases from the burning grain bursts the nozzle seal and provides the thrust to propel the rocket. Thrust overrides the detent spring, releasing the pawl from the rocket detent groove. The thrust then pushes the rocket out the forward end of the tube. The impact from the first rocket out shatters the forward fairing and the blast removes the tail fairing.

### 2.75-INCH (SERIES) LAUNCHERS

The 2.75-inch (series) launchers are intended for shipping (in some cases, with warheads installed) stowing, and firing the 2.75-inch rockets. The weight of loaded launchers varies, depending upon the number of rockets installed and rocket configuration.

The rockets are retained in the launcher tubes during shipping, handling, and flight by engagement of a leaf-spring type of detent with integral blast paddles (fig. 2-19). During loading, the rocket motor depresses the detent until the detent snaps into the detent grooves located on the aft end of the motor. To remove rocket motors, use a rocket loading and release tool to depress



**Figure 2-19.—Rocket launcher detent (2.75-inch).**

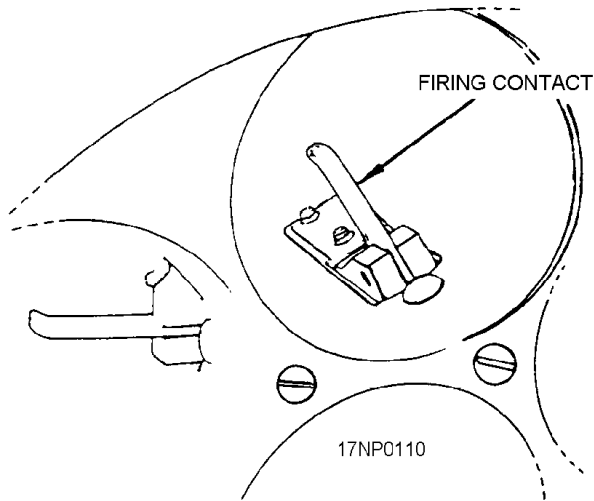


Figure 2-20.—Launcher firing contact assembly (2.75-inch launcher).

the detent. A spring-loaded firing contact (fig. 2-20) is located in the end of each tube.

The principles of operation for the 2.75-inch launcher are basically the same as the 5.0-inch launcher. The 2.75-inch launcher can be loaded with less than 7 or 19 rockets when tactical requirements exist. However, you should refer to the specific tactical manual and aircraft-loading manual. Also, since the rockets are fired in a definite sequence, the rockets must be loaded into the launcher tubes in the proper sequence. Airborne rocket loading procedures, including electrical test procedures, are covered later in this manual.

### MK III ROCKET LAUNCHER TESTER

Perform the self-test of the Mk III Rocket Launcher Tester (fig. 2-21) prior to loading launchers in accordance with NAVAIR 17-15MDA-40.

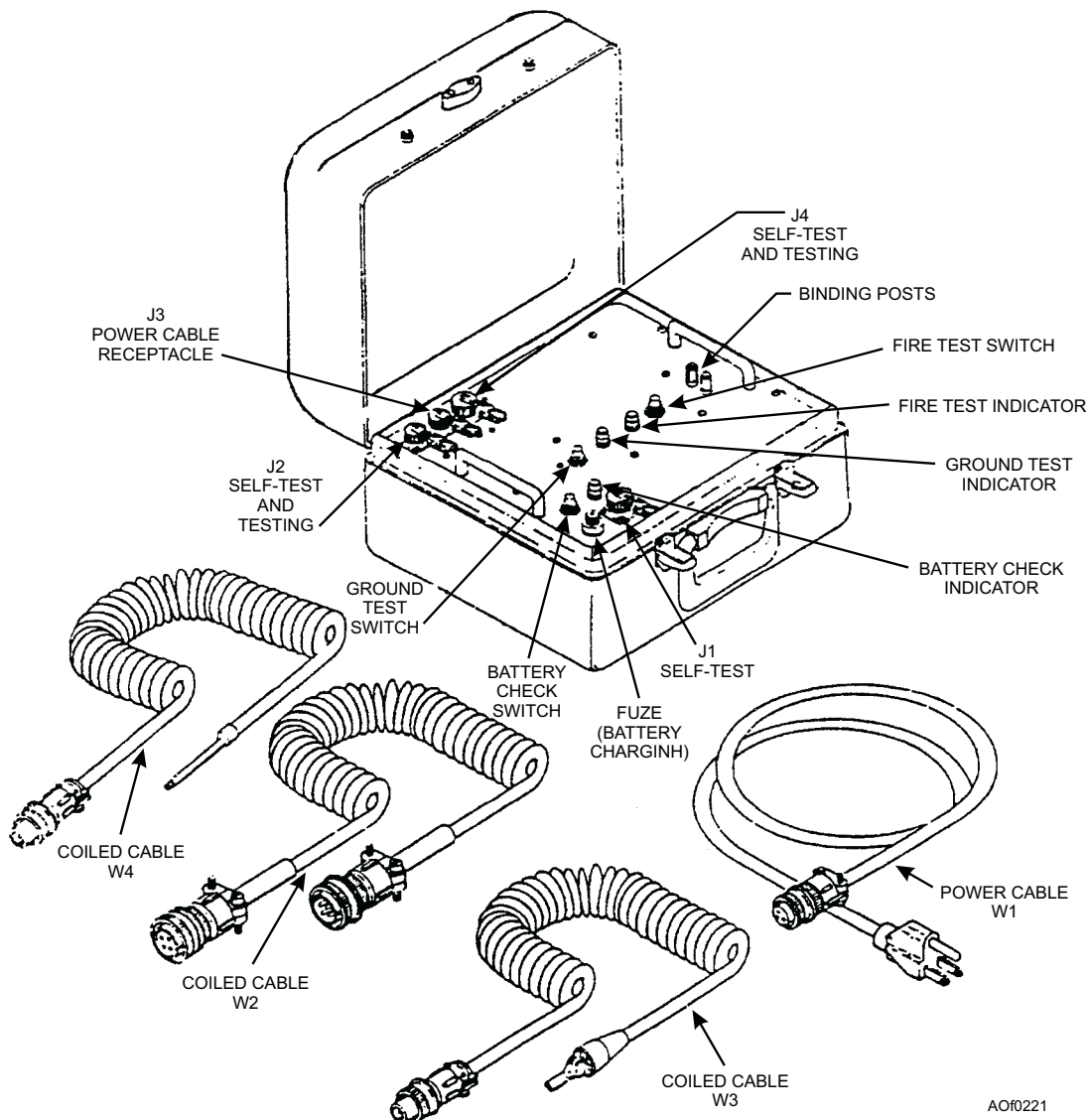


Figure 2-21.—Mk III Rocket Launcher Tester with cables.

## REVIEW NUMBER 5

- Q1. Name the section of the launcher that houses or supports all other components of the launcher.
- Q2. RF barriers are used on 2.75-inch rocket pods to \_\_\_\_\_.
- Q3. List the components that are common to rocket launcher packages.
- Q4. What device, found on all rocket launchers, prevents loaded rockets from firing?
- Q5. When is the detent pin in the rocket launcher safe/arm device removed?
- Q6. What is the weight, depending on configuration, of a fully loaded LAU-10 rocket launcher?

## ROCKET SAFETY PRECAUTIONS

**LEARNING OBJECTIVE:** *Recognize the safety precautions to follow when working with aircraft rockets and rocket launchers.*

The aircraft rocket is no more dangerous than any other explosive weapon. It does have certain peculiar hazards. A completely assembled rocket, if accidentally fired, takes off under its own power in the direction it is pointed, and threatens everything in its path. When fired, an assembled rocket expels a blast of burning gas capable of injuring or killing anyone it strikes. Generally, rocket motors without a head attached won't explode. It is a fire hazard since ballistite or cordite N (SPCG) ignites easily and burns readily. High-explosive heads, either fuzed or unfuzed, present the same risk as gun projectiles under the same conditions. Handle rockets, whether completely assembled or disassembled, with extreme care to avoid damage to parts.

Only personnel who are certified to handle rockets should be in the vicinity of assembly operations. When handling airborne rockets, rocket components, and launchers, follow all safety practices that apply to airborne armament and weapons. If practicable, all work should be performed from the side of the rocket launcher.

Rocket motors should be stowed in the same manner as smokeless powder. **Never allow matches and open flames in the stowage area. Smoking is NOT permitted in the loading area within 200 feet of ammunition.** Do not stow rocket motors in the same

compartments with or near radio apparatus or antenna leads. Induced currents might ignite the motor. Do NOT fire rocket motors when the propellant temperature is outside the safe-firing temperature limits specified on the motor tube.

If a rocket motor is dropped and any portion impacts on a hard surface after falling 2 feet or more, do NOT use it. Cracks or breaks in the grain increase the carefully calculated burning area and cause excessive internal pressure buildup, which can cause the motor to blow up after ignition.

Stow high explosive heads and fuzes (except fuzes that are permanently installed in the head) separately in the same manner as high-explosive projectiles. Ready-service stowage of assembled rockets is authorized for the 2.75-inch and 5.0-inch aircraft rockets according to NAVSEA OP 4 and NAVSEA OP 5.

A fuze is relatively sensitive and must be handled with care to avoid extreme shock that might cause damage. Conduct fuzing, unfuzing, assembly, or disassembly operations of all types of ammunition away from other explosives and vital installations. Only the minimum number of persons and rounds required should be in the vicinity. The ideal situation is to permit work on only one round at a time. This work should be done on a deck or at some other location remote from all magazines, ready stowage, explosive supplies, or vital installations.

Examination of the exterior of some fuzes will not show if they are armed. If, for any reason, you think a fuze might be armed, the fuze should be treated as an armed and sensitive fuze. You must NOT attempt to remove it from the rocket head. The complete fuzed round should be disposed of according to current directives. When available, explosive-ordnance-disposal (EOD) personnel should dispose of such rounds.

## CAUTION

**NEVER attempt to remove a base fuze from a rocket head.**

You should NOT tamper with (or attempt to repair) any parts of the round. If the round is damaged or defective, remove the head from the motor and mark the defective part for return to the issuing agency. Disassembly or alteration of rocket components is NOT authorized except under specific instructions from Naval Air Systems Command.



Fuzes and/or warheads dropped 5 feet or more onto a hard surface and rockets that have been accidentally released from aircraft launchers upon aircraft landing must be disposed of according to current directives. If a loaded launcher is dropped, you should NOT use it until the launcher tubes, latching mechanisms, and rockets are inspected for damage.

Rocket launchers should NOT be suspended from a bomb rack that does not have independent ignition and jettisoning circuits. To prevent possible explosion, do NOT expose airborne rockets or loaded launchers to the exhaust from jet engine starter pods or gas turbine compressors. A minimum distance, as indicated on the unit, must be maintained between the gas turbine exhaust path and rocket assemblies upon which the exhaust impinges. In the absence of specific information on the unit, a minimum distance of 10 feet must be maintained.

Rockets should NOT be loaded or unloaded from launchers while on the flight deck. RF barriers should remain in place on the launcher while on the flight deck.

The detent pin must be in the breaker switch at all times. The only exceptions are when you are making certain electrical checks, or when the aircraft is ready for flight. Do NOT, under any circumstances, perform an electrical test with rockets in the launcher.

#### REVIEW NUMBER 6

- Q1. *If you are working around rockets or loaded pods, the preferred position is \_\_\_\_\_.*
- Q2. *Smoking is not permitted within what minimum range of rocket ammunition?*
- Q3. *What is the maximum distance that a rocket motor can be dropped and still be used as a serviceable motor?*

- Q4. *What minimum distance must be maintained between gas turbine exhaust paths and rockets?*

#### REVIEW NUMBER 5 ANSWERS

- A1. *The center section of the launcher that houses or supports all other components of the launcher.*
- A2. *RF barriers are used on 2.75-inch rocket pods to prevent entry of electromagnetic radiation into the igniter circuit.*
- A3. *The components that are common to rocket launcher packages are as follows: fairings, breaker switch, mode selector switch, and intervalometer.*
- A4. *The breaker switch, found on all rocket launchers, prevents loaded rockets from firing.*
- A5. *The detent pin in the rocket launcher safe/arm device is removed immediately before takeoff.*
- A6. *The weight, depending on configuration, of a fully loaded LAU-10 rocket launcher is approximately 500 to 550 pounds.*

#### REVIEW NUMBER 6 ANSWERS

- A1. *If you are working around rockets or loaded pods, the preferred position is at the sides of the rocket or pod. Never work in front or behind them.*
- A2. *Smoking is not permitted within 200 feet of rocket ammunition.*
- A3. *A rocket motor can be dropped 2 feet and still be used as a serviceable motor.*
- A4. *A minimum of 10 feet must be maintained between gas turbine exhaust paths and rockets.*



## CHAPTER 3

# AIR-LAUNCHED GUIDED MISSILES AND GUIDED MISSILE LAUNCHERS

Guided missiles are self-propelled objects. After launching, they automatically alter their direction of flight in response to signals received from outside sources. They usually carry high-explosive charges and are equipped with a means to explode them at or near a target. The majority of guided missiles used in the Navy are essentially rockets that are maneuvered while in flight.

### AIR-LAUNCHED GUIDED MISSILES

**LEARNING OBJECTIVE:** *Recognize air-launched guided missile classifications. Match missiles with their range and speed. Identify air-launched guided missiles and recognize the methods used to designate them. Identify missile components to include guidance and control, armament, and propulsion systems. Identify the guided missiles used in the Navy today.*

The purpose of a guided missile is to reach and destroy or damage its target. The type of target involved influences the characteristics of the missile; however, each missile meets the following basic requirements:

- It must have sufficient speed to intercept or catch its target.
- It must be maneuverable in flight to correct its flight path as required to intercept the target.
- It must be capable of inflicting a satisfactory degree of damage to the target on intercept.
- It must have an acceptable operating envelope (range/altitude) within which it is effective.
- It must be capable of launching when required and at a satisfactory rate.
- The missile and its components must be safe to handle, store, and use.

In general, a typical guided missile has a long, cylindrical shape, with an oval or a hemispherical shaped nose. It is fitted with a series of stabilizing or maneuvering fins, wings, or canards around its outer surface.

### MISSILE CLASSIFICATION

Guided missiles are classified according to their range, speed, and launch environment, mission, and vehicle type.

#### Range

Long-range guided missiles are usually capable of traveling a distance of at least 100 miles. Short-range guided missiles often do not exceed the range capabilities of long-range guns. The Navy has air-launched guided missiles that function within these ranges; they are medium-range or extended-range missiles.

#### Speed

The speed capability of guided missiles is expressed in Mach numbers. A Mach number is the ratio of the speed of an object to the speed of sound in the medium through which the object is moving. Under standard atmospheric conditions, sonic speed is about 766 miles per hour (Mach 1.0). Guided missiles are classified according to their speed as shown below:

- Subsonic—Up to Mach 0.8
- Transonic—Mach 0.8 to Mach 1.2
- Supersonic—Mach 1.2 to Mach 5.0
- Hypersonic—Above Mach 5.0

When considering the speed of an air-launched guided missile, the speed of the launching aircraft is added to the speed of the missile. For example, if a missile's speed is Mach 2.5 and the aircraft's speed, at the time of missile launch, is Mach 2.0, the missile's speed is Mach 4.5.

#### Types of Guided Missiles

Guided missiles are divided into two types—service missiles and nonservice missiles.

**SERVICE MISSILES.**—These missiles are generally referred to as tactical missiles. Service

missiles are fully operational and fully explosive loaded rounds, designed for service use in combat.

**NONSERVICE MISSILES.**—These include all types of missiles other than service or tactical. They are subdivided as captive air training missiles (CATMs), dummy air training missiles (DATMs), special air training missiles (NATMs), and practice guided weapons (PGWs).

Some practice and training missiles are used for actual launching. They contain live propulsion and guidance systems with inert loaded warheads. They are fitted with pyrotechnic fuze indicator signals and/or tracking flares that give a visual indication of missile/target impact. These missiles can also be fitted with a telemetry-type warhead, which transmits electronic signals to a monitoring station. The monitoring station displays the missile's in-flight performance and missile/target hit. Some types of exercise missiles contain explosive-destruct charges so the missiles destroy themselves in flight. These explosive-destruct charges, when installed, are used as a safety measure so the missile does not travel beyond the established target range.

The CATMs are used for pilot training in aerial target acquisition and aircraft controls/displays. They have both tactical and training components.

The DATMs are ground training missiles used to train ground personnel in missile assembly/disassembly, uploading/downloading, and handling procedures.

The NATMs are used for pilot training during fleet weapon training exercises.

The PGWs are used for stowage procedures and techniques. All components are completely inert.

Service missiles are fired as practice or training missiles when approved by proper authority. Normally, approval is restricted to missiles that are obsolete or to missiles that have exceeded their normal service life.

Guided missiles used in naval aviation include air-to-air and air-to-surface missiles. Air-to-air guided missiles are fired by one aircraft against another aircraft. Air-to-surface guided missiles are fired from an aircraft against a target on the land or water surface.

For further information on the classification of guided missiles, you should refer to *United States Navy Ammunition Historical and Functional Data*, NAVSEA SW010-AB-GTP-010, and *Identification of Ammunition*, NAVSEA SW010-AF-ORD-010.

## MISSILE DESIGNATION

The Department of Defense established a missile and rocket designation sequence. The basic designation (table 3-1) of every guided missile are letters, which are in sequence. The sequence indicates the following:

1. The environment from which the vehicle is launched
2. The primary mission of the missile
3. The type of vehicle

Examples of guided missile designators common to the Aviation Ordnanceman are as follows:

<u>Designator</u>	<u>Meaning</u>
AGM	Air-launched, surface-attack, guided missile
AIM	Air-launched, intercept-aerial, guided missile
ATM	Air-launched, training guided missile
RIM	Ship-launched, intercept-aerial, guided missile

A design number follows the basic designator. In turn, the number may be followed by consecutive letters, which show a modification. For example, the designation of AGM-88C means the missile is an air-launched (A), surface-attack (G), missile (M), eighty-eighty missile design (88), third modification (C).

In addition, most guided missiles are given popular names, such as Sparrow, Sidewinder, and Harpoon. These names are retained regardless of subsequent modifications to the original missile.

## MISSILE IDENTIFICATION

The external surfaces of all Navy guided missiles, except radome and antenna surfaces, are painted white. The color white has no identification color-coding significance when used on guided missiles.

There are three significant color codes used on guided missiles and their components—yellow, brown, and blue. These color codes indicate the explosive hazard in the missile component. If components are painted blue on a practice missile and have a yellow or brown band painted on them, the component has an explosive component that doesn't have a comparable part in a service missile.

**Table 3-1.—Guided Missile and Rocket Designations**

FIRST LETTER DESIGNATING LAUNCH ENVIRONMENT	DESCRIPTION
A Air B Multiple C Coffin  F Individual M Mobile P Soft Pad U Underwater R Ship	Air launched. Capable of being launched from more than one environment. Stored horizontally or at less than a 45-degree angle in a protective enclosure and launched from the ground. Carried and launched by one man. Launched from a ground vehicle or movable platform. Partially or non-protected in storage and launched from the ground. Launched from a submarine or other underwater device. Launched from a surface vessel, such as a ship or barge.
SECOND LETTER DESIGNATING MISSION SYMBOL	DESCRIPTION
D Decoy  E Special Electronic  G Surface Attack I Intercept-Aerial Q Drone T Training U Underwater Attack  W Weather	Vehicles designed or modified to confuse, deceive, or divert enemy defenses by simulating an attack vehicle. Vehicles designed or modified with electronics equipment or communications, countermeasures, and electronic relay missions. Vehicles designed to destroy enemy land or sea targets. Vehicles designed to intercept aerial targets in defensive roles. Vehicles designed for target reconnaissance or surveillance. Vehicles designed to be modified for training purposes. Vehicles designed to destroy enemy submarines or other underwater targets or to detonate underwater. Vehicles designed to observe, record, or relay data pertaining to meteorological phenomena.
THIRD LETTER DESIGNATING VEHICLE TYPE SYMBOL	DESCRIPTION
M Guided Missile  R Rocket N Probe	An unmanned, self-propelled vehicle with remote or internal trajectory guidance. A self-propelled vehicle whose flight trajectory cannot be altered after launch. A non-orbital instrumented vehicle to monitor and transmit environmental information.
NOTE: The designations listed in the above table cover all the guided missiles and rockets used within the Department of Defense. Therefore, the Navy may not use all designations listed.	

Each component of the missile, besides being color coded, is identifiable by lettering stenciled on the exterior surface of the component. The lettering on a component gives information such as the Mark and Mod, type and weight of explosive filler, loading activity symbol and date of loading, temperature range restrictions, and unit serial number.

All missiles used in naval aviation are assigned missile serial numbers. These numbers are shipped with the missile's logbook. The missile serial number is normally the serial number of the leading component of the missile, such as the guidance and/or control components. The serial number is important because it is the number used to track the missile from assembly at a weapons station until it is fired or discontinued from service.

For further information concerning identification of guided missiles, refer to NAVSEA SW010-AF-ORD-010/NAVAIR 11-1-117, *Identification of Ammunition* (latest revision).

### REVIEW NUMBER 1

- Q1. *The speed of a guided missile is given in terms of Mach numbers. If a guided missile is traveling at Mach 1, how fast is it going?*
- Q2. *A missile traveling at Mach 3 is traveling at \_\_\_\_\_ speeds.*
- Q3. *List the two types of guided missiles.*
- Q4. *What two types of guided missiles are used in naval aviation?*
- Q5. *The first letter of a missile designation describes the missile's \_\_\_\_\_.*

- Q6. *Define the missile designation ATM.*
- Q7. *Where would you find the serial number in an assembled missile?*
- Q8. *What do the color codes identify on guided missiles?*

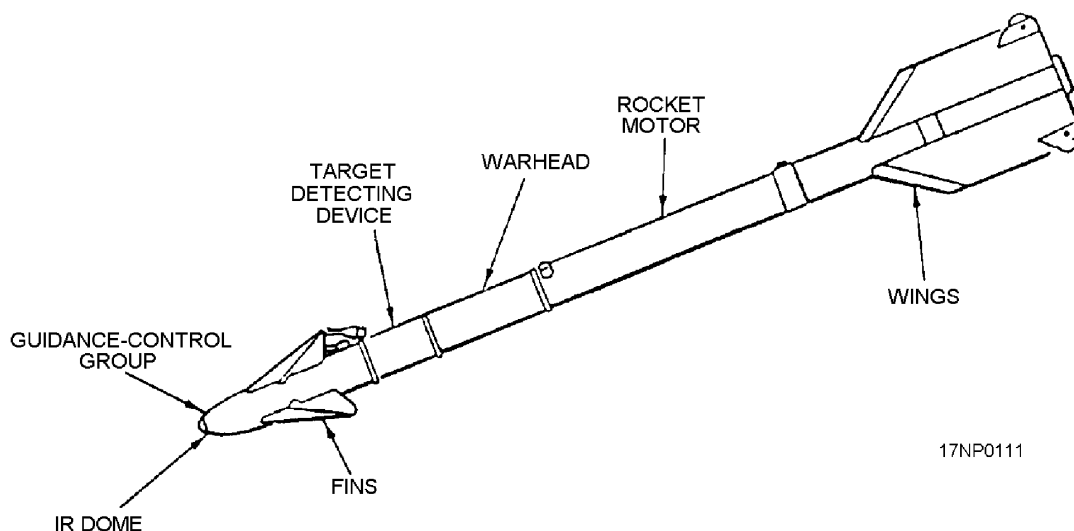
### MISSILE COMPONENTS

Guided missiles are made up of a series of subassemblies (figs. 3-1 and 3-2). The various subassemblies form a major section of the overall missile to operate a missile system, such as guidance, control, armament (warhead and fuzing), and propulsion. The major sections are carefully joined and connected to each other. They form the complete missile assembly. The arrangement of major sections in the missile assembly varies, depending on the missile type.

The guidance section is the brain of the missile. It directs its maneuvers and causes the maneuvers to be executed by the control section. The armament section carries the explosive charge of the missile, and the fuzing and firing system by which the charge is exploded. The propulsion section provides the force that propels the missile.

### Guidance and Control Section

The complete missile guidance system includes the electronic sensing systems that initiate the guidance orders and the control system that carries them out. The elements for missile guidance and missile control can be housed in the same section of the missile, or they can be in separate sections.



17NP0111

Figure 3-1.—Typical air-to-air guided missile.

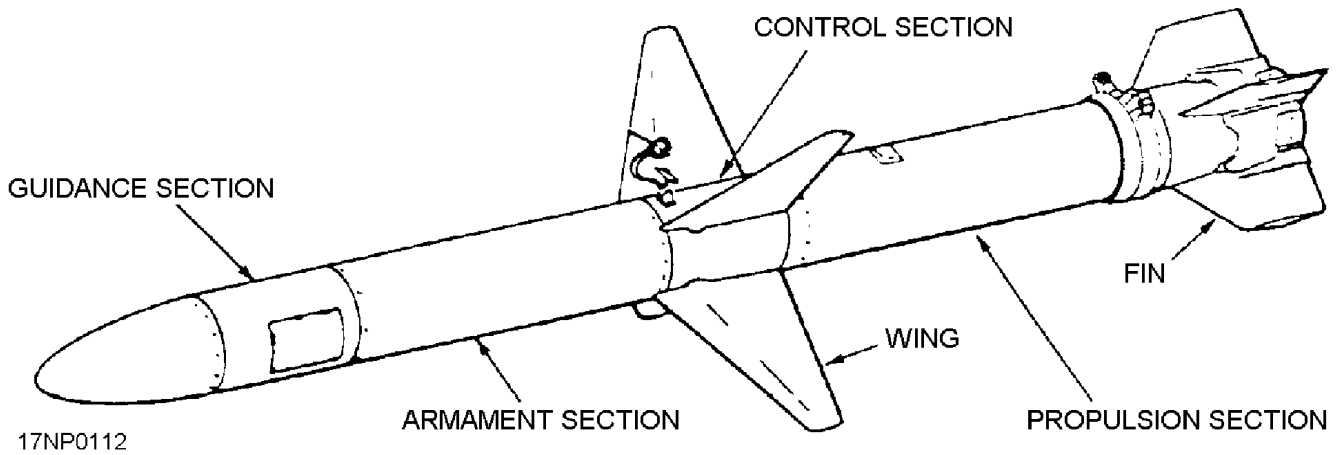


Figure 3-2.—Typical air-to-surface guided missile.

There are a number of basic guidance systems used in guided missiles. Homing-type, air-launched, guided missiles are currently used. They use radar or infrared homing systems.

A homing guidance system is one in which the missile seeks out the target, guided by some physical indication from the target itself. Radar reflections or thermal characteristics of targets are possible physical influences on which homing systems are based. Homing systems are classified as active, semiactive, and passive.

**ACTIVE.**—In the active homing system, target illumination is supplied by a component carried in the missile, such as a radar transmitter. The radar signals (fig. 3-3) transmitted from the missile are reflected off the target back to the receiver in the missile. These reflected signals give the missile information such as

the target's distance and speed. This information lets the guidance section compute the correct angle of attack to intercept the target. The control section that receives electronic commands from the guidance section controls the missile's angle of attack. Mechanically manipulated wings, fins, or canard control surfaces are mounted externally on the body of the weapon. They are actuated by hydraulic, electric, or gas generator power, or combinations of these to alter the missile's course.

**SEMIACTIVE.**—In the semiactive homing system (fig. 3-4), the missile gets its target illumination from an external source, such as a transmitter carried in the launching aircraft. The receiver in the missile receives the signals reflected off the target, computes the information, and sends electronic commands to the control section. The control section functions in the same manner as previously discussed.

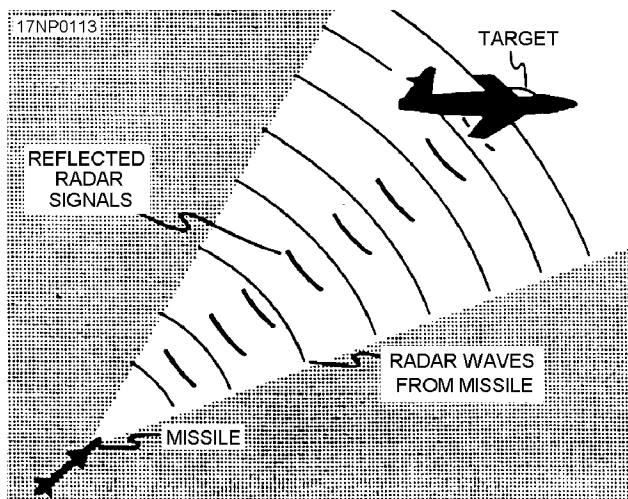


Figure 3-3.—Active homing system.

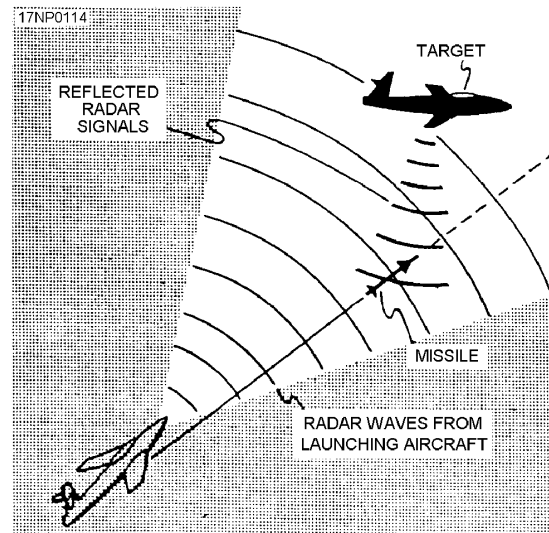


Figure 3-4.—Semiactive homing system.

**PASSIVE.**—In the passive homing system (fig. 3-5), the directing intelligence is received from the target. Examples of passive homing include homing on a source of infrared rays (such as the hot exhaust of jet aircraft) or radar signals (such as those transmitted by ground radar installations). Like active homing, passive homing is completely independent of the launching aircraft. The missile receiver receives signals generated by the target and then the missile control section functions in the same manner as previously discussed.

### REVIEW NUMBER 1 ANSWERS

- A1. *If a guided missile is traveling at Mach 1, it is traveling at approximately 766 miles per hour.*
- A2. *A missile traveling at Mach 3 is traveling at supersonic speeds.*
- A3. *The two types of guided missiles are service and nonservice guided missiles.*
- A4. *The two types of guided missiles used in naval aviation are air-to-air and air-to-surface guided missiles.*
- A5. *The first letter of a missile designation describes the missile's launch environment.*
- A6. *The missile designation ATM stands for an air-launched training guided missile.*
- A7. *The serial number in an assembled missile is usually found on the leading component.*
- A8. *The color codes on guided missiles identify the explosive hazard in the missile component.*

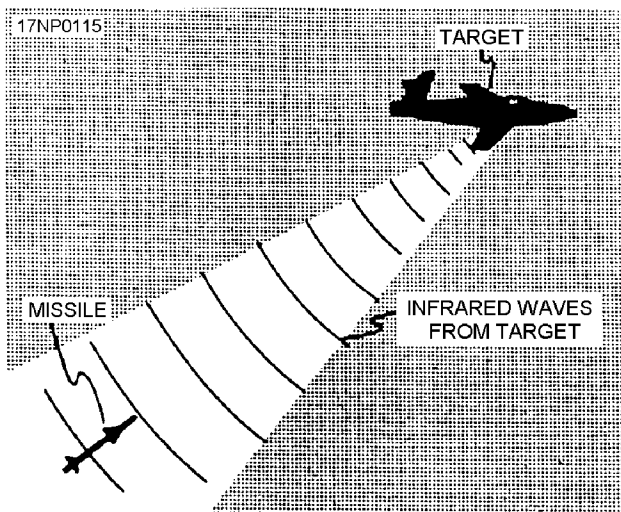


Figure 3-5.—Passive homing system.

### Armament Section

The armament system contains the payload (explosives), fuzing, safety and arming (S&A) devices, and target-detecting devices (TDDs).

**PAYLOAD.**—The payload is the element or part of the missile that does what a particular missile is launched to do. The payload is usually considered the explosive charge, and is carried in the warhead of the missile. High-explosive warheads used in air-to-air guided missiles contain a rather small explosive charge, generally 10 to 18 pounds of H-6, HBX, or PBX high explosives. The payload contained in high-explosive warheads used in air-to-surface guided missiles varies widely, even within specific missile types, depending on the specific mission. Large payloads, ranging up to 450 pounds, are common. Comp B and H-6 are typical explosives used in a payload.

Most exercise warheads used with guided missiles are pyrotechnic signaling devices. They signal fuze functioning by a brilliant flash, by smoke, or both. Exercise warheads frequently contain high explosives, which vary from live fuzes and boosters to self-destruct charges that can contain as much as 5 pounds of high explosive.

**FUZING.**—The fuzing and firing system is normally located in or next to the missile's warhead section. It includes those devices and arrangements that cause the missile's payload to function in proper relation to the target. The system consists of a fuze, a safety and arming (S&A) device, a target-detecting device (TDD), or a combination of these devices.

There are two general types of fuzes used in guided missiles—proximity fuzes and contact fuzes. Acceleration forces upon missile launching arm both fuzes. Arming is usually delayed until the fuze is subjected to a given level of accelerating force for a specified amount of time. In the contact fuze, the force of impact closes a firing switch within the fuze to complete the firing circuit, detonating the warhead. Where proximity fuzing is used, the firing action is very similar to the action of proximity fuzes used with bombs and rockets.

**SAFETY AND ARMING (S&A) DEVICES.**—S&A devices are electromechanical, explosive control devices. They maintain the explosive train of a fuzing system in a safe (unaligned) condition until certain requirements of acceleration are met after the missile is fired.



### **TARGET-DETECTING DEVICES (TDD).—**

TDDs are electronic detecting devices similar to the detecting systems in VT fuzes. They detect the presence of a target and determine the moment of firing. When subjected to the proper target influence, both as to magnitude and change rate, the device sends an electrical impulse to trigger the firing systems. The firing systems then act to fire an associated S&A device to initiate detonation of the warhead.

Air-to-air guided missiles are normally fuzed for a proximity burst by using a TDD with an S&A device. In some cases, a contact fuze may be used as a backup. Air-to-surface guided missile fuzing consists of influence (proximity) and/or contact fuzes. Multifuzing is common in these missiles.

### **Propulsion Section**

Guided missiles use some form of jet power for propulsion. There are two basic types of jet propulsion power plants used in missile propulsion systems—the atmospheric (air-breathing) jet and the thermal jet propulsion systems. The basic difference between the two systems is that the atmospheric jet engine depends on the atmosphere to supply the oxygen necessary to start and sustain burning of the fuel. The thermal jet engine operates independently of the atmosphere by starting and sustaining combustion with its own supply of oxygen contained within the missile.

**ATMOSPHERIC JET PROPULSION SYSTEM.—**There are three types of atmospheric jet propulsion systems—the turbojet, pulsejet, and ramjet engines. Of these three systems, only the turbojet engine is currently being used in Navy air-launched missiles. A typical turbojet engine includes an air intake, a mechanical compressor driven by a turbine, a combustion chamber, and an exhaust nozzle. The engine does not require boosting and can begin operation at zero acceleration.

### **THERMAL JET PROPULSION SYSTEM.—**

Thermal jets include solid propellant, liquid propellant, and combined propellant systems. As an AO, you come in contact with all three systems. The solid propellant and combined propellant systems are currently being used in some air-launched guided missiles.

The majority of air-launched guided missiles used by the Navy use the solid propellant rocket motor. They include the double base and multibase smokeless powder propellants as well as the composite mixtures. Grain configurations vary with the different missiles. Power characteristics and temperature limitations of the individual rocket motors also vary.

In some guided missiles, different thrust requirements exist during the boost phase as compared to those of the sustaining phase. The dual thrust rocket motor (DTRM) is a combined system that contains both of these elements in one motor. The DTRM contains a single propellant grain made of two types of solid propellant—boost and sustaining. The grain is configured so the propellant meeting the requirements for the boost phase burns at a faster rate than the propellant for the sustaining phase. After the boost phase propellant burns itself out, the sustaining propellant sustains the motor in flight over the designed burning time (range of the missile).

### **REVIEW NUMBER 2**

- Q1. List the major sections of guided missiles.*
- Q2. What section is considered the brains of the missile?*
- Q3. List the three types of homing systems.*
- Q4. If a missile gets its target illumination from the launching aircraft, what type of homing system does it have?*
- Q5. List the components of the armament section.*
- Q6. Describe the function of safety and arming (S&A) devices.*
- Q7. What are the two types of propulsion used with guided missiles?*
- Q8. Describe the basic difference between the two types of propulsion.*

### **SERVICE GUIDED MISSILES**

Missiles have been operational for several years. Still, research on missiles continuously produces changes in the missile field. The missiles discussed in this manual are presently operational.

## Sparrow III Guided Missile

The AIM-7F/M missile (fig. 3-6) is a supersonic, air-to-air DTRM, guided missile. It is designed to be rail or ejection launched from an interceptor aircraft. The missile's tactical mission is to intercept and destroy enemy aircraft in all-weather environments. It is designed to be launched from the F-14 and F/A-18 aircraft.

### REVIEW NUMBER 2 ANSWERS

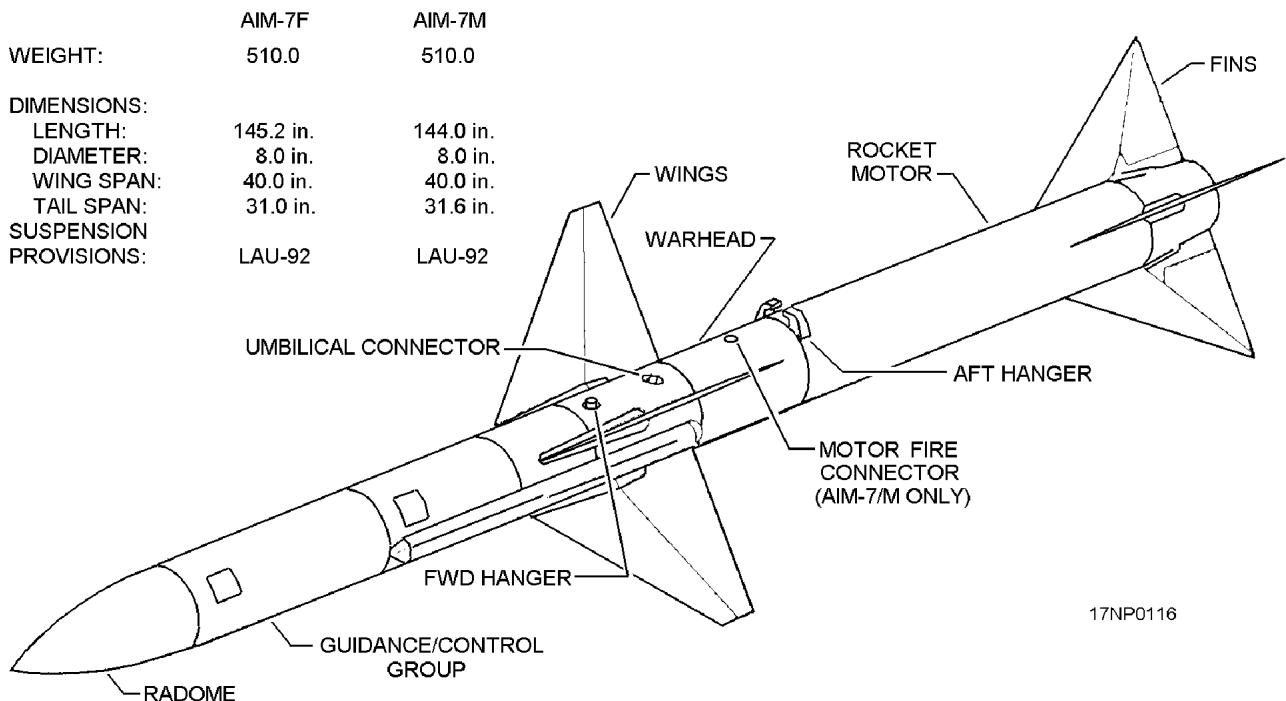
- A1. *Guidance, control, armament, and propulsion are the major sections of guided missiles.*
- A2. *The guidance section is considered the brains of the missile.*
- A3. *The three types of homing systems are active, semiactive, and passive homing.*
- A4. *If a missile gets its target illumination from the launching aircraft, it is semiactive homing.*
- A5. *The armament section consists of the payload, fuzing, safety and arming (S&A) devices, and target-detecting devices (TDDs).*
- A6. *Safety and arming devices maintain the explosive train of a fuzing system in a safe condition until the acceleration requirement is met after launch.*

- A7. *The two types of propulsion used with guided missiles are atmospheric (air breathing) jet and thermal jet.*
- A8. *The atmosphere jet depends on the atmosphere to supply the oxygen for proper fuel burning, and the thermal jet contains its own supply of oxygen and is independent from the atmosphere.*

The AIM-7F/M missile is a semiactive missile. Missile guidance depends on RF energy radiated by the launching aircraft and reflected by the target. Excluding the radome, the missile body has four sectional tubular shells that house the major functional components. The four major functional components are the target seeker, flight control, warhead, and rocket motor. The overall length of the missile is approximately 142 inches with a diameter of 8 inches. It weighs approximately 510 pounds. The missile is issued to the fleet as an all-up-round (AUR). The only assembly required at fleet level is the installation of the wing and fin assemblies, which are shipped in separate shipping containers.

The radome is ceramic and forms the nosepiece of the missile. It does not obstruct RF energy. It covers the RF head assembly of the target seeker and provides protection against environmental damage.

The target seeker receives and interprets the radar energy reflected from the target. Then it produces signals that are sent to the flight control section to direct



17NP0116

Figure 3-6.—AIM-7F/M Sparrow missile.

the missile to intercept the target or come within lethal range of it.

The flight control consists of the autopilot and the hydraulic group. These function to provide control signals and mechanical energy to move the external control surfaces that guide the missile toward the point of intercept, and to stabilize the missile in pitch, yaw, and roll.

The warhead is located between the target seeker and flight control section. The warhead is explosive-loaded, and it contains the fuze, fuze booster charge, and the safety and arming (S&A) device. It is a continuous-rod type of warhead. At detonation, the rod sections expand into a continuous ring. Target kill is accomplished by collision of the continuous ring with the target. Detonation is triggered either by a fuze pulse from the target seeker at the nearest point of intercept or a fuze pulse from the flight control upon impact with the target.

The DTRM attaches to the aft end of the missile flight control section. It is equipped with a SAFE/ARM igniter assembly that is manually locked in either the SAFE or ARMED position. This switch can only be repositioned with an arming key. When in the SAFE position, the arming key cannot be removed. This switch prevents accidental firing of the motor. It should not be moved to the ARMED position until immediately before aircraft launch.

The control surfaces consist of four delta-shaped wing and fin assemblies. The wings and fins are designed for quick attachment and release without the use of tools. The wing assemblies attach to the flight control section, which controls their rotary motion to produce the desired pitch, yaw, and roll. The tail fin assemblies attach to fittings on the rear of the rocket motor and provide stability to the missile.

Another series of the Sparrow III guided missile is the RIM-7E and RIM-7H. These missiles are surface-to-air guided missiles. They are used in some ships in the ship's Basic Point Defense Surface Missile System (BPDSMS) and Improved Point Defense Surface Missile System (IPDSMS), respectively. As an Aviation Ordnanceman, your responsibility for these missiles is in the area of handling and stowage only.

For further information concerning the Sparrow III (series) missiles, refer to publication *Organizational, Intermediate, and Depot Maintenance Instruction Manual with Illustrated Parts Breakdown*, NAVAIR 01-265GMAD-9-3 (series) and NAVAIR 11-140-6 Airborne Weapons Assembly Manual.

## Harpoon Guided Missile

The Harpoon surface attack guided missile, AGM-84 series (AGM-84/C/D Tactical) air-launched missile (fig. 3-7), is an all-weather antiship attack weapon. The SLAM tactical missile (fig. 3-7), AGM-84E, is a standoff land attack missile. The Harpoon can be delivered from the F/A-18, P-3, and S-3 aircraft. Both missiles are AURs and require no assembly other than installation of the wing and control fin assemblies. The missile consists of the guidance section, warhead section, sustainer section, boattail section, wings, and control fins. The missile is approximately 151 inches in length and weighs approximately 1,144 pounds.

The Harpoon missile has a low-level cruise trajectory with over-the-horizon range that makes it less susceptible to radar detection. It uses active guidance and has counter-countermeasure capability.

The guidance section contains the seeker, radar altimeter, midcourse guidance unit, and power supply. A radome on the front of the guidance section provides the required aerodynamic shield to protect the internal components of the seeker. During ground handling, a radome protector cap protects the radome.

The warhead section contains a penetration blast type of explosive, the guided missile fuze, fuze booster, and the pressure probe assembly. It also provides internal routing of the interconnecting cable from the guidance section to other parts of the missile.

The sustainer section contains the fuel tank and fuel supply system, missile battery, pyrotechnic relay panel, and the turbojet engine. Three BSU-4/B missile wings and one BSU-43/B missile wing are attached to the sustainer section by quick-attach, clevis-type fittings. These wings are attached to the missile at the organizational level. They provide the aerodynamic lift required sustaining missile flight. They are made of a framed aluminum honeycomb construction and are nonfolding.

The boattail section contains four control actuators, which control the control fins. Four identical nonfolding missile control fins (BSU-44/B) provide directional control of the missile's airframe proportional to the input signal received from the guidance section. The control fins are one-piece aluminum castings, and are attached to the control fin actuators by means of an integral torque-limiting, screw-type device.

PHYSICAL CHARACTERISTICS			
	AGM-84A HARPOON	AGM-84E SLAM	AGM-84F HARPOON-1D
WEIGHT:	1160 lb.	1250 lb.	1400 lb.
LENGTH:	151 in.	178 in.	175 in.
DIAMETER:	13.5 in.	13.5 in.	13.5 in.
SUSPENSIONS PROVISIONS:	30 in.	30 in.	30 in.

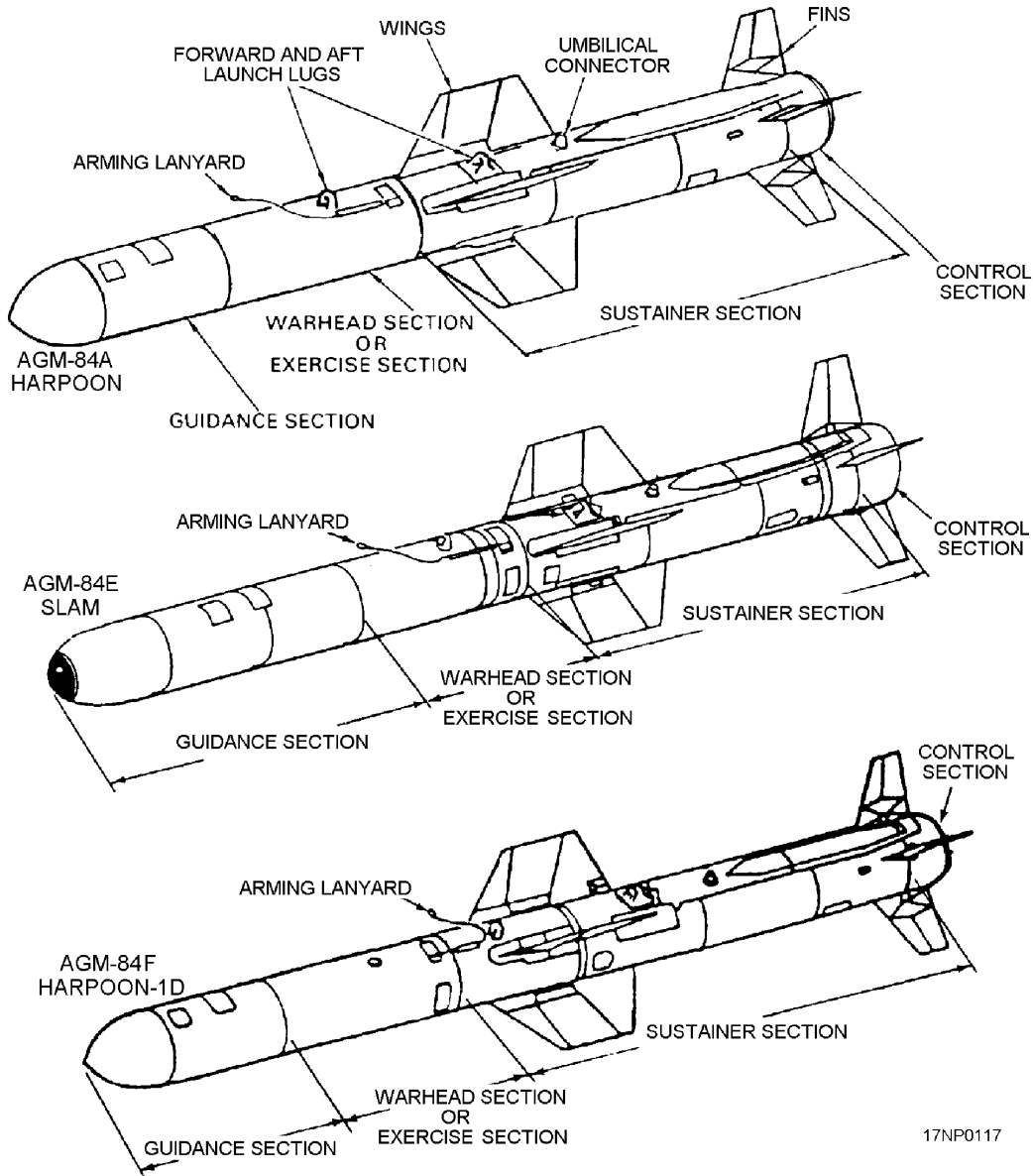


Figure 3-7.—AGM-84 series Harpoon/SLAM guided missile.

For further information concerning the air-launched AGM-84 (series) Harpoon guided missiles, refer to the publications *Airborne Weapons Assembly*, NAVAIR 11-140-6.2-4, and *Airborne Weapons Assembly*, AGM-84/E, NAVAIR 11-140-6.2-5.

### Sidewinder Guided Missile

The Sidewinder guided missiles, AIM-9 series (fig. 3-8), are supersonic, air-to-air weapons with passive

infrared target detection, proportional navigation guidance, and torque-balance control systems. They are capable of being launched from the F-14 and F/A-18 aircraft. The AIM-9 series missiles are issued to the fleet as AURs. The components of the ATM-9L-1 are identical to the AIM-9L/M except that a training warhead is substituted for the tactical warhead in the ATM-9L-1. The AIM-9L/M missile is used strictly for tactical purposes. The ATM-9L-1 missile is used for pilot training in target acquisition and missile firing.

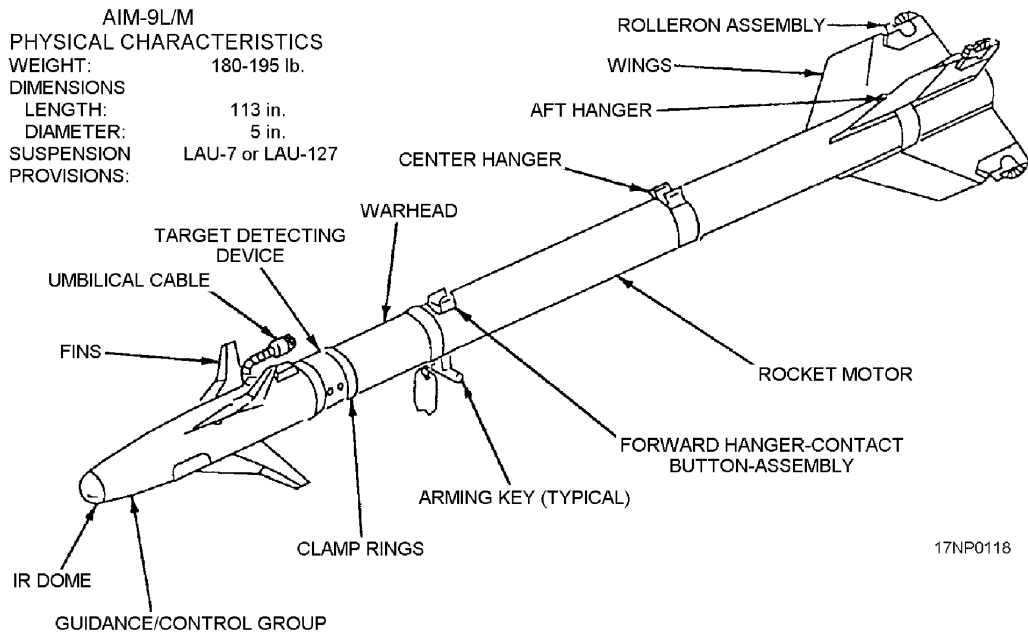


Figure 3-8.—AIM-9 series Sidewinder guided missile.

The Sidewinder guided missile is approximately 113 inches in length, 5 inches in diameter, weighs approximately 190 pounds, and consists of five major components. These components are the guidance and

control section, the target detector section, the S&A device, the warhead section, and the rocket motor section (fig. 3-9).

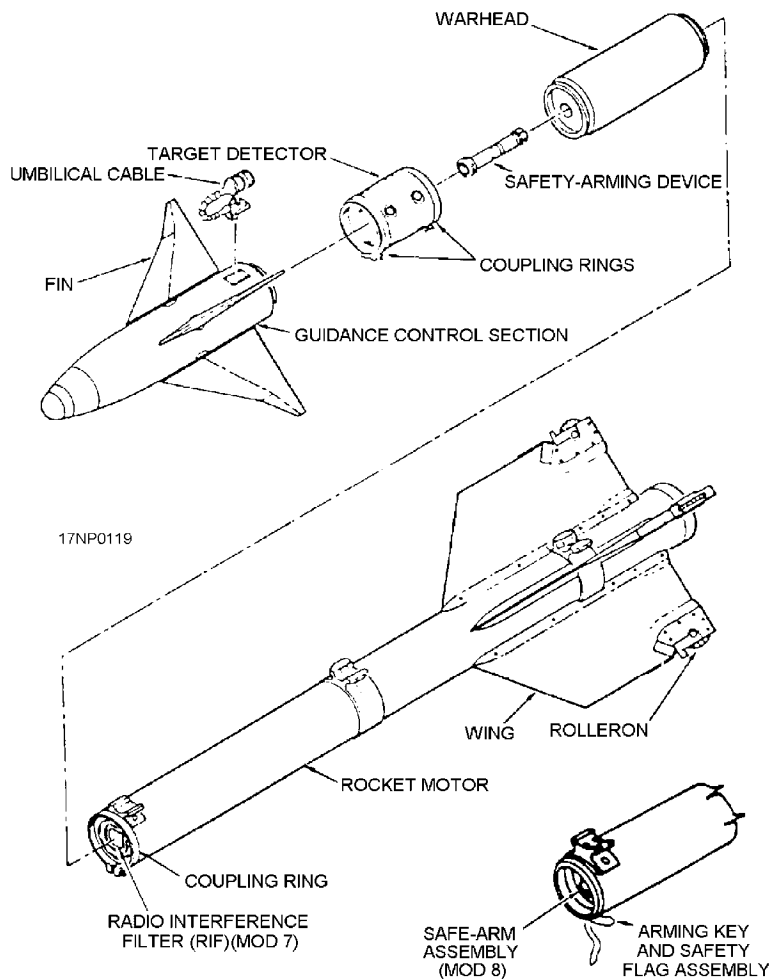


Figure 3-9.—AIM-9 series Sidewinder guided missile (exploded view).

The guidance and control section consists of the following three major assemblies:

1. An infrared seeker assembly, which is used for detecting the target.
2. An electronic assembly, which is used for converting detected target information to tracking and guidance command signals.
3. A gas servo assembly (which consists of a gas generator, manifold, pistons, rocker arms, electrical solenoids, and thermal battery), where the electrical guidance commands are converted to mechanical movement of the control fins.

Four BSU-32/B control fins are mounted on the guidance and control section to provide aerodynamic lift and course alterations to the missile during free flight. They are movable surfaces that are electrically controlled and pneumatically operated by the gas servo assembly. The missile's umbilical cable is also attached to the guidance and control section. A shorting cap/dust cover must be installed on the umbilical connector at all times when the missile is not electrically connected to the LAU-7 launcher. The umbilical cable provides the necessary path for the exchange of electronic signals between the missile and aircraft before missile launch. It also provides a connection to the launcher-mounted cooling gas supply, which prevents the electronic components of the guidance and control section from becoming overheated during operation before missile launch. The umbilical cable is sheared off at missile launch.

The target detector (TD) is a narrow-beam, active-optical, proximity fuze system. The purpose of the TD is to detect the presence of an air target within the burst range of the missile warhead and generate an electrical firing signal to the S&A device.

The S&A device attaches to the target detector and is located between the TD section and the warhead section. The S&A device contains an interrupted firing train that is aligned by an acceleration-arming device. It contains the necessary high explosives, switches, and circuits to initiate detonation of the warhead.

The WDU-17/B warhead (used in the AIM-9L configuration) is an annular blast fragmentation warhead that consists of a case assembly, two booster plates, an initiator, high explosive, and fragmentation rods. The explosive output from the S&A device is transferred through the initiator to the booster plates. The initiation is then transferred through the explosive-loaded channels of the booster plates to the booster pellets at each end of the warhead. Detonation of the booster pellets sets off the high explosive, causing warhead detonation.

The WDU-9A/B warhead (used in the ATM-9L-1 configuration) is mechanically interchangeable with the WDU-17/B tactical warhead. The WDU-9A/B contains a smoke-flash mix with CH-6 booster to provide visual observation of the missile/target hit.

The Mk 36 Mod 7 rocket motor uses a single-grain propellant. A nonpropulsive head closure located on the forward end of the motor tube, blows out if the motor is accidentally ignited without the warhead installed, making the motor nonpropulsive (a fire hazard vice a missile hazard). The Mk 36 Mod 8 rocket motor is basically identical to the Mod 7 motor except that the Mod 8 motor is equipped with a safe-arm ignition assembly. The purpose of this assembly is to prevent accidental or inadvertent rocket motor ignition. The safe-arm ignition assembly must be manually rotated to the armed position before flight. This is accomplished by the use of a hex-head T-handle.

Four Mk 1 Mod 0 or Mod 1 wings are attached to the aft end of the motor tube. They provide aerodynamic lift and stability during flight. Each wing has a rolleron assembly that provides pitch, yaw, and roll stabilization during free flight. When the missile is fired, the rolleron is uncaged by acceleration and is free to move through its longitudinal axis during flight. The rolleron wheel is designed so that the passing airstream causes it to spin at a very high speed, thus acting as a gyroscope, which helps to stabilize the missile and reduce roll during flight.

For further information about the AIM-9L/M and ATM-9L-1 Sidewinder guided missile, you should refer to the *Sidewinder Guided Missile AIM-9L and Training Missile*, NAVAIR 01-AIM9-2 and Airborne Weapons Assembly Manual NAVAIR 11-140-6.

## Advanced Medium Range Air-to-Air Missile (AMRAAM)

The AMRAAM is an all-weather missile (fig. 3-10). Aircraft currently scheduled to carry the missile are the F-14 and F/A-18 aircraft. The AIM-120 is an AUR that consists of a guidance section, armament section, propulsion section, and control section.

The guidance section consist of a radome, seeker components, electronics unit, inertial reference unit, target detection device, batteries, power converter, and related harnesses and hardware.

The armament section includes a WDU-33/B fragmenting warhead, Mk-44 booster, and a FZU-49/B safe and arm fuze (SAF).

The propulsion section consists of a dual-thrust, solid propellant, low-smoke, rocket motor, a blast tube and exit cone, and an arm/fire device (AFD).

The control section includes four independently controlled electromechanical actuators, four thermal batteries, a data link assembly, and associated hardware. Gas pressure-operated mechanical locks during ground handling and captive carry lock the control surfaces in position. During launch, a pyrotechnic gas generator creates enough gas pressure to unlock the control surfaces.

### PHYSICAL CHARACTERISTICS:

WEIGHT:	327 lb.
DIMENSIONS	144 in.
LENGTH:	144 in.
DIAMETER:	7 in.
WING SPAN:	21 in.
FIN SPAN:	25 in.
SUSPENSION	LAU-127A/A or
PROVISIONS:	LAU-116A/A

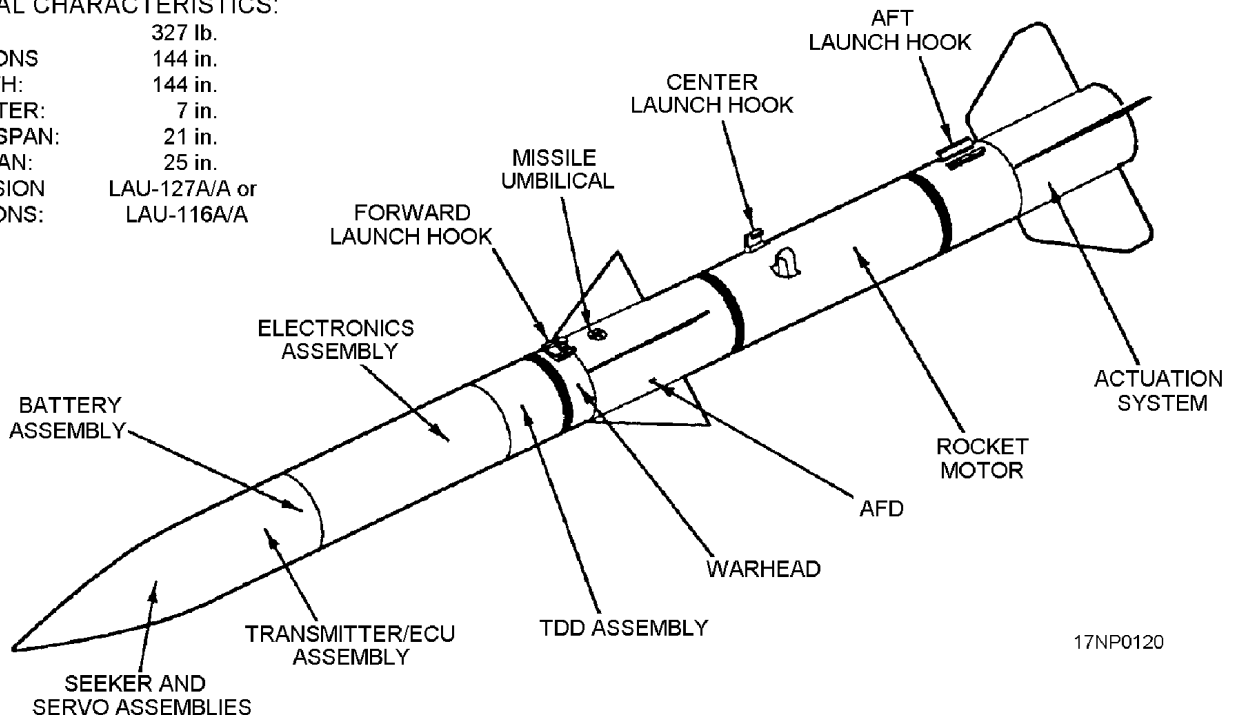


Figure 3-10.—AIM-120 AMRAAM guided missile.

## REVIEW NUMBER 3

- Q1. Within the radome of the Sparrow III missile, what feature receives and interprets the radar energy reflected from the target?
- Q2. What part of the Sparrow III missile provides control signals and mechanical energy to move external control surfaces that guide the missile?
- Q3. To what part of the Sparrow missile is the DRTM attached?
- Q4. Name the aircraft from which the Harpoon guided missile is launched.
- Q5. The Harpoon missile is less susceptible to radar detection because
- Q6. List the sections of the Harpoon missile.
- Q7. Sidewinder missiles are equipped with \_\_\_\_\_ target detection.
- Q8. List the five major components of the Sidewinder missile.
- Q9. By what means is the S&A device aligned?
- Q10. What feature of the Sidewinder missile provides aerodynamic lift and stability during flight?

## Phoenix Missile

The tactical AIM-54C Phoenix (fig. 3-11) is an air-launched, air-to-air guided missile that employs active, semiactive, and passive homing capabilities. The AIM-54C is used as a long-range, air-intercept missile launched from the F-14 aircraft. It is equipped with the AWG-9 Airborne Missile Control System (AMCS). The missile can be launched in multiple missile attacks, as required, against hostile forces. A maximum of six AIM-54C Phoenix missiles can be launched from a single aircraft, with simultaneous guidance against widely separated targets. In addition, the missile has dogfight, electronic counter-countermeasures (ECCM), and anticruise missile capabilities.

The physical description of the Phoenix missile is extremely brief because it is classified as Secret. The overall length of the missile is 13 feet with a diameter of 15 inches. It weighs approximately 1,020 pounds. The missile consists of the guidance section, the armament section, the propulsion section, and the control section. The missile is an AUR. The wings and fins can be mounted or removed to facilitate handling.

## Maverick Missile

The tactical AGM-65E Maverick (fig. 3-12) is a laser-guided, rocket-propelled, air-to-ground missile. It

is used against fortified ground installations, armored vehicles, and surface combatants. Launch aircraft for the Maverick is the F/A-18

The AGM-65E missile has two major sections—the guidance and control section and the center/aft section. Four fixed wings are an integral part of the center/aft section, and four movable control surfaces (fins) are located at the aft section. These fins are installed or removed to aid in handling. The missile is issued to the fleet as an AUR. Installation of the fins is the only assembly required at the organizational maintenance level.

The AGM-65E missile system has all the laser missile features, including automatic terminal homing on laser energy reflected from the target, which is illuminated by a laser designator. The laser designator can be a ground device, either hand-held or tripod mounted. It can also be a stabilized airborne device, mounted either on a separate aircraft or on the launching aircraft. Additionally, the warhead provides kinetic penetration into earth-barricaded or concrete fortifications and ships. The fuzing system allows a selectable detonation delay to optimize kill capability.

For further information on the AGM-65E Maverick, you should refer to *Laser-Guided Missile AGM-65E (Maverick)*, NAVAIR 11-120-58.

WEIGHT: 1000 lb.  
DIMENSIONS:  
LENGTH: 156 in.  
DIAMETER: 15 in.  
FIN SPAN: 36 in.  
SUSPENSION: LAU-93

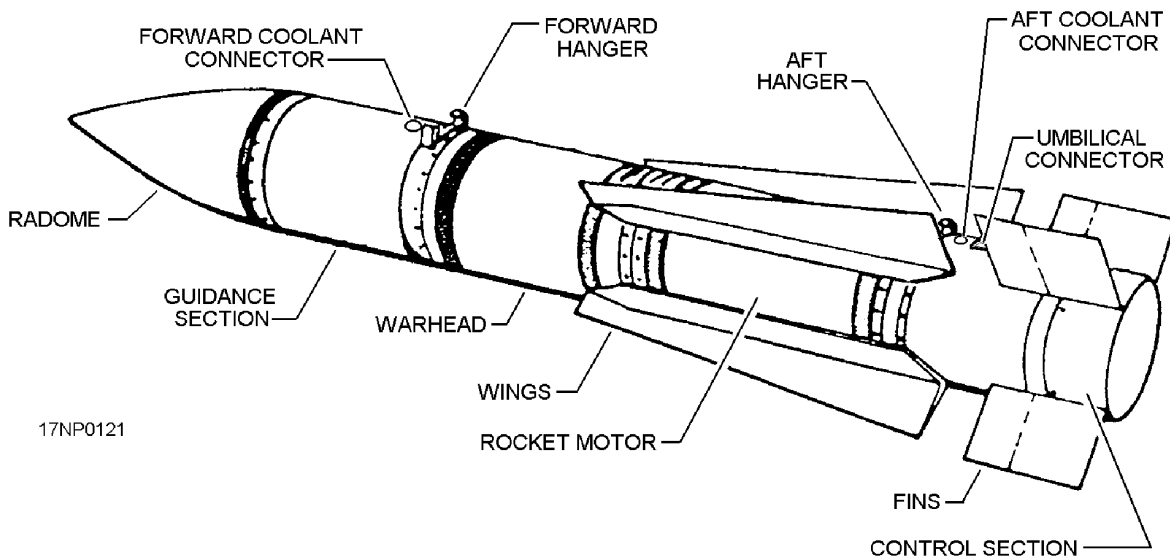
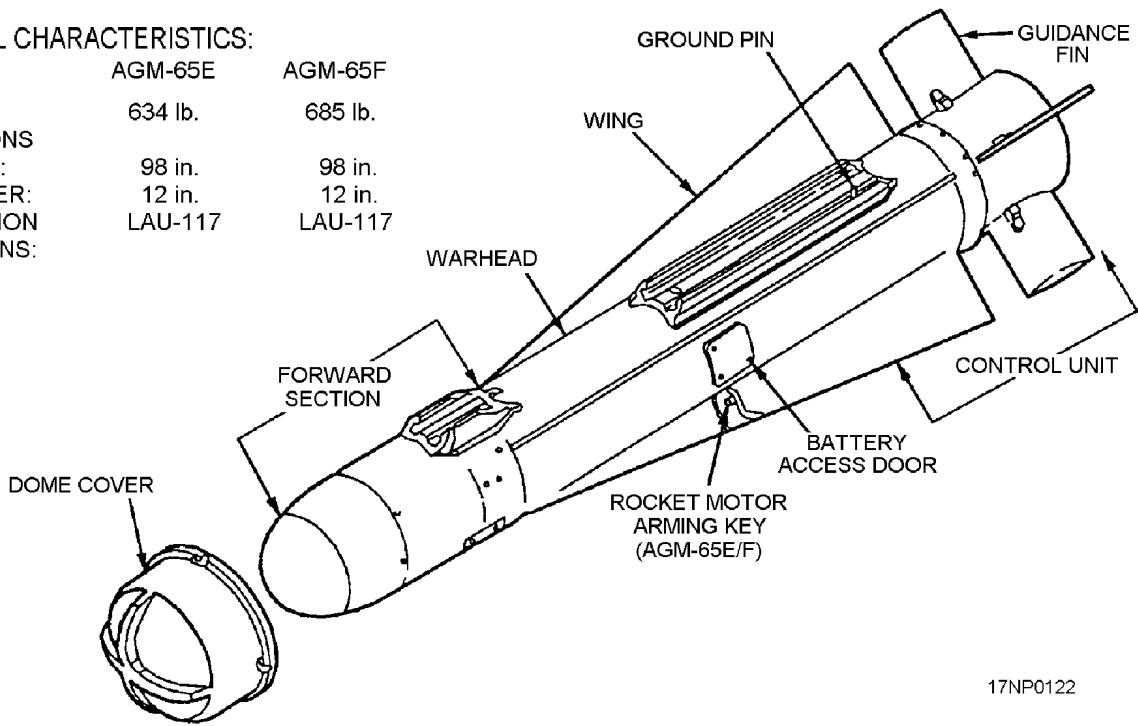


Figure 3-11.—AIM-54 Phoenix guided missile (typical).



**PHYSICAL CHARACTERISTICS:**

	AGM-65E	AGM-65F
WEIGHT:	634 lb.	685 lb.
DIMENSIONS		
LENGTH:	98 in.	98 in.
DIAMETER:	12 in.	12 in.
SUSPENSION	LAU-117	LAU-117
PROVISIONS:		



17NP0122

**Figure 3-12.—AGM-65E Maverick missile.**

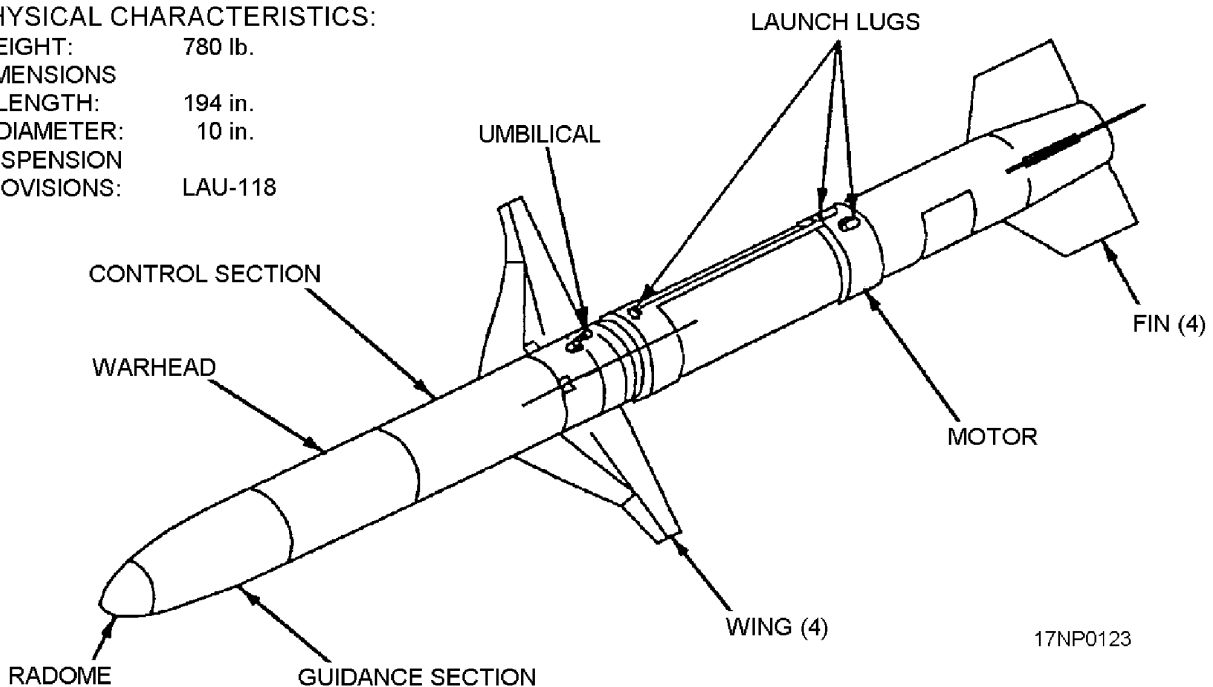
**HARM Missile**

The AGM-88A high-speed antiradiation missile (HARM) (fig. 3-13) offers performance improvements over the existing Standard ARM missile when used for defense suppression and similar operations.

The HARM missile, in conjunction with the launching aircraft's avionics, detects, identifies, and locates enemy radar, displays threat information, and computes target parameters. The HARM missile is 10 inches in diameter, 194 inches long, and weighs 780 pounds. The missile operates in three basic modes:

**PHYSICAL CHARACTERISTICS:**

WEIGHT:	780 lb.
DIMENSIONS	
LENGTH:	194 in.
DIAMETER:	10 in.
SUSPENSION	
PROVISIONS:	LAU-118



17NP0123

**Figure 3-13.—AGM-88 HARM missile.**

(1) self-protect (which attacks targets that pose immediate threat to the aircraft), (2) target of opportunity (which attacks discrete targets important to the tactical situation), and (3) prebrief (missile programmed to the vicinity of known or expected targets, and to attack when lock-on is achieved). Launch aircraft for the HARM are the EA-6B and F/A-18.

### Penguin Missile

The AGM-119B (fig. 3-14) is a fire and forget, antisurface ship, all-up-round (AUR) missile. The missile uses inertial guidance and infrared (IR) homing. The AGM-119B is intended to be launched from the SH-60B LAMPS helicopter. It is the first helicopter-launched, air-surface, antiship missile system in the U.S. Navy inventory.

The missile launch assembly (MLA) contains the missile control system (MCS) and attaches to the wing pylon of the SH-60B LAMPS Mk III helicopter. It provides mechanical attachment points for the missile launch/release system (BRU-14 rack with two AERO-1A adapters, which provide a 30-inch suspension capability). The MLA, with BRU-14 attached, carries and launches the Penguin missile on command.

### REVIEW NUMBER 3 ANSWERS

- A1. *Within the radome of the Sparrow III missile, the target seeker receives and interprets the radar energy reflected from the target.*
- A2. *The flight control section, which consists of the autopilot and hydraulic group, provides the Sparrow III missile with control signals and mechanical energy to move external control surfaces to guide the missile.*
- A3. *The DRTM is attached to the aft end of the missile flight control section of the Sparrow missile.*
- A4. *The Harpoon guided missile is launched from F/A-18, S3, and P-3 aircraft.*
- A5. *The Harpoon missile is less susceptible to radar detection because of its low-level cruise trajectory with over-the-horizon range.*
- A6. *The sections of the Harpoon missile include the guidance, warhead, sustainer, and boat-tail sections.*
- A7. *Sidewinder missiles are equipped with passive infrared target detection.*
- A8. *The five major components of the Sidewinder missile include the guidance and control*

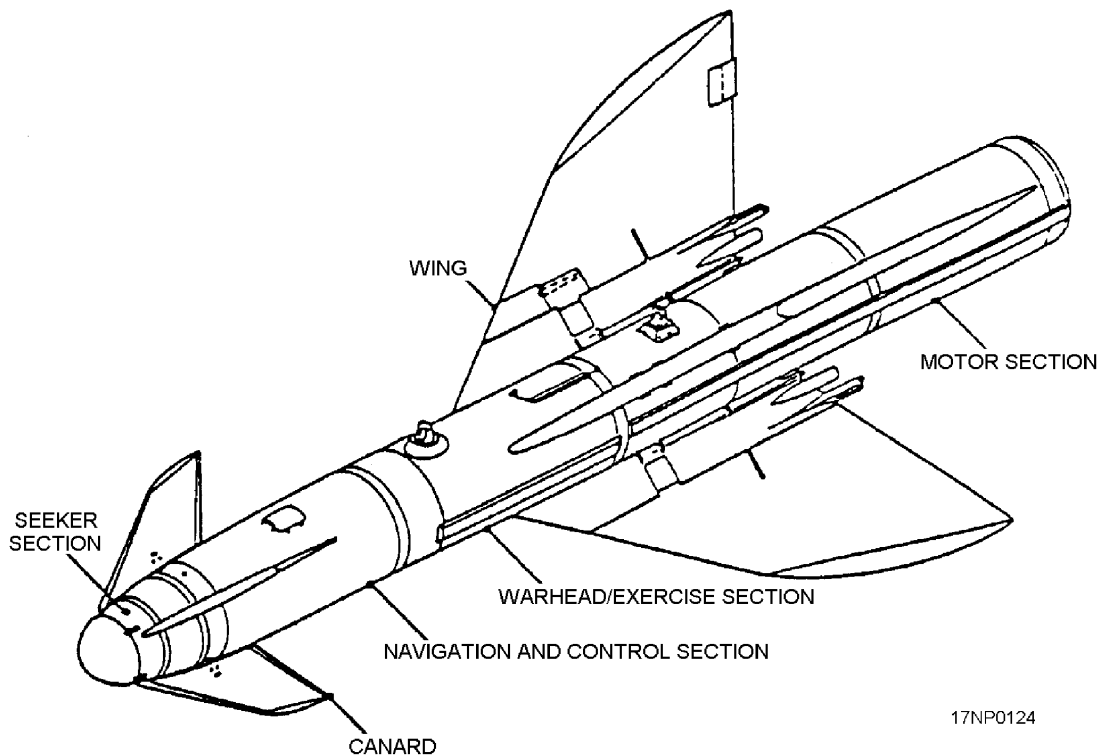


Figure 3-14.—AGM-119B Penguin missile.

section, target detector section, S&A device, warhead section, and rocket motor section.

- A9. An interrupted firing train that is aligned by an acceleration-arming device aligns the S&A device.
- A10. Four Mk 1 Mod 0 or Mod 1 wings attached to the aft end of the motor tube provide aerodynamic lift and stability to the Sidewinder missile during flight.

#### REVIEW NUMBER 4

- Q1. List the homing capabilities incorporated into the Phoenix missile.
- Q2. How many Phoenix missiles can be launched from a single aircraft?
- Q3. List the sections of the Phoenix missile.
- Q4. List the types of targets the Maverick missile is used against.
- Q5. How does the laser guidance system work in the Maverick missile?
- Q6. Name the three basic modes of HARM missile operation.

#### Walleye Guided Weapon

The Walleye guided weapon does not contain a propulsion system, as do guided missiles. It is included

in this chapter because it contains a guidance system, a control system, externally mounted control surfaces, and is listed in the Air Launched Guided Missiles and Components section of *Navy Ammunition Logistic Code TW010-AA-ORD-010*, NAVAIR 11-1-116A.

The Walleye guided weapon system (fig. 3-15) is designed to deliver a self-guided, high explosive weapon from an attack aircraft to a surface target. The Walleye weapon is issued to the fleet as an AUR. The only assembly required at the organizational maintenance level is the installation of the wings and fins.

The weapons are grouped into four basic series—Walleye I (small scale), Walleye I extended range data link (ERDL), Walleye II (large scale), and Walleye II ERDL. Note that the Walleye II and Walleye II ERDL weapons are larger in diameter and length and weigh more than the Walleye I weapon. The Walleye II ERDL weapon also has larger wings. A Walleye weapon representative of each basic series is discussed in this chapter.

**WALLEYE I.**—The Mk 21 Walleye I tactical weapon consists of a guidance section, a warhead section (including the fuze and fuze booster), a control section, four wings, and four fins. The weapon has provisions for 14- and 30-inch suspensions, and an ejector foot pad that is used to adapt the weapons to various types of aircraft bomb racks. The Walleye I (series) weapons are in the 1,000-pound class weapon category.

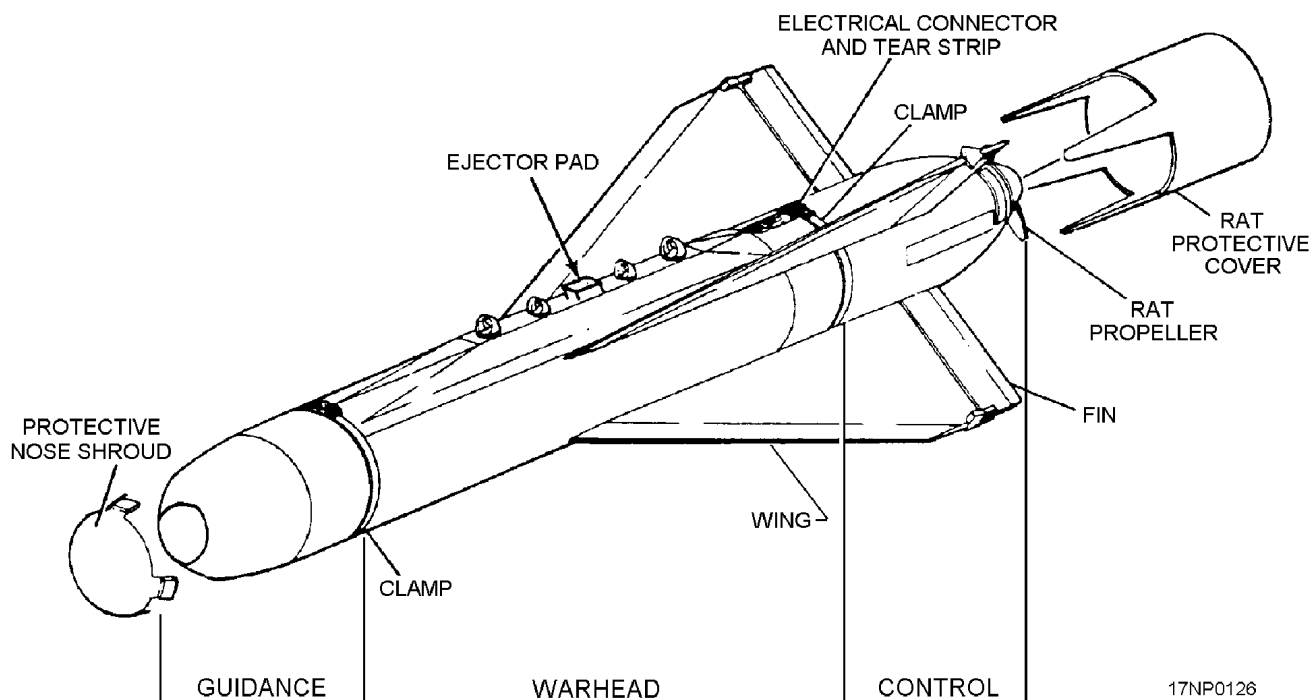


Figure 3-15.—Walleye guided weapon (typical).

To form a typical attack situation, the weapon, pilot, and aircraft must perform as a complete weapons system. The weapon uses aircraft electrical power (via an umbilical cable that connects the weapon to the aircraft) from the time electrical power is applied to the aircraft until the aircraft reaches a speed of approximately 180 knots. The automatic power changeover circuit in the weapon then switches the weapon to ram air turbine (RAT) generator power.

Basically, the guidance section of the weapon and the aircraft system form a closed-circuit television system. A television camera mounted in the nose of the guidance section provides a picture of the area forward of the aircraft and displays this information on a television monitor located in the cockpit of the aircraft. Additional circuits provide a cross-hair grid on the pilot's television monitor, which is a pair of vertical and a pair of horizontal lines. This intersection of horizontal and vertical cross hairs (the square in the middle) defines the tracking area. By looking at the video scene displayed on the television, the pilot is able to boresight the weapon and aircraft to acquire the target, initiate lock-on, and confirm weapon tracking.

After boresighting the weapon, selecting the proper fuze option, and achieving satisfactory lock-on, the pilot initiates release and escapes the target area. The weapon continues to track the target until it reaches the point of impact.

The Walleye I Mk 27 practice weapon is identical to the Mk 21 weapon except for the warhead and control sections. The warhead is entirely inert, does not contain a fuze or fuze booster, and has ballast to maintain weapon CG (center of gravity) compatibility with the Mk 21 weapon. This weapon is used for captive-flight pilot training and for aircraft loading and ground handling training purposes.

For further information concerning the Walleye I guided weapon, you should refer to the *Walleye I Guided Weapon*, NAVAIR 01-15MGA-1.

**WALLEYE I ERDL.**—The Walleye I extended range data link (ERDL) guided weapon consists of the same basic items as the Walleye I. These weapons are designed to be used in conjunction with the AN/AWW-13 data pod. They permit target information to be transmitted between the weapon and data pod before and after release of the weapon.

**WALLEYE II.**—The Mk 5 tactical Walleye II guided weapon consists of a guidance section, a fairing assembly, a warhead section (including the fuze and fuze booster), a control section, four wings, four fin

adapters, and four fins. The weapon has provisions for 30-inch suspension only, and is in the 2,000-pound class weapon category. The Walleye II (series) weapons are essentially the same as the Walleye I weapons except they are physically larger in size and have improved electronics. Functional operations of the weapon and delivery tactics are basically the same as Walleye I.

For further information concerning the Walleye II (series) weapons, you should refer to the *Guided Weapon (Walleye II)*, NAVAIR 01-15MGB-2.2.

**WALLEYE II ERDL.**—The Walleye II extended range data link (ERDL) guided weapon Mk 23 Mods 0, 1, and 2 (frequency channels A, C, and E) consists of the same basic items as the Walleye II Mk 5 weapons. However, these assemblies include added data link functions and extended range capability. The addition of the larger wings enables the weapon to be launched with longer slant ranges to a target complex. The addition of the data-link pod (Guided Weapon Control-Monitor Set AN/AWW-9/13) and a joystick controller (guided weapon control group OK-293/AWW) on the aircraft allow the pilot to remotely steer the weapon to a specific target within the complex with pinpoint accuracy.

The Guided Weapon Control-Monitor Set AN/AWW-9/13, data-link pod (fig. 3-16) is the communications link between the pilot and the weapon. The pod is suspended from a standard Walleye-configured bomb rack. It can be jettisoned in an emergency. The pod contains the necessary electronics to allow the pilot to receive the transmitted video from the weapon and to transmit the command signals to the weapon. In addition, the pod contains a video tape recorder (VTR) that record the video transmitted by the weapon all the way to impact on the target. This allows low-cost weapon performance monitoring, which can be played back for mission evaluation or for training purposes.

#### REVIEW NUMBER 4 ANSWERS

- A1. *The Phoenix missile use active, semiactive, and passive homing.*
- A2. *Six Phoenix missiles can be launched from a single aircraft.*
- A3. *The Phoenix missile consists of the guidance, armament, propulsion, and control sections.*

PHYSICAL CHARACTERISTICS:

WEIGHT: 595 lb.  
DIMENSIONS  
LENGTH: 124 in.  
DIAMETER: 15 in.  
SUSPENSION PROVISIONS: 14 or 30 in.

17NP0127

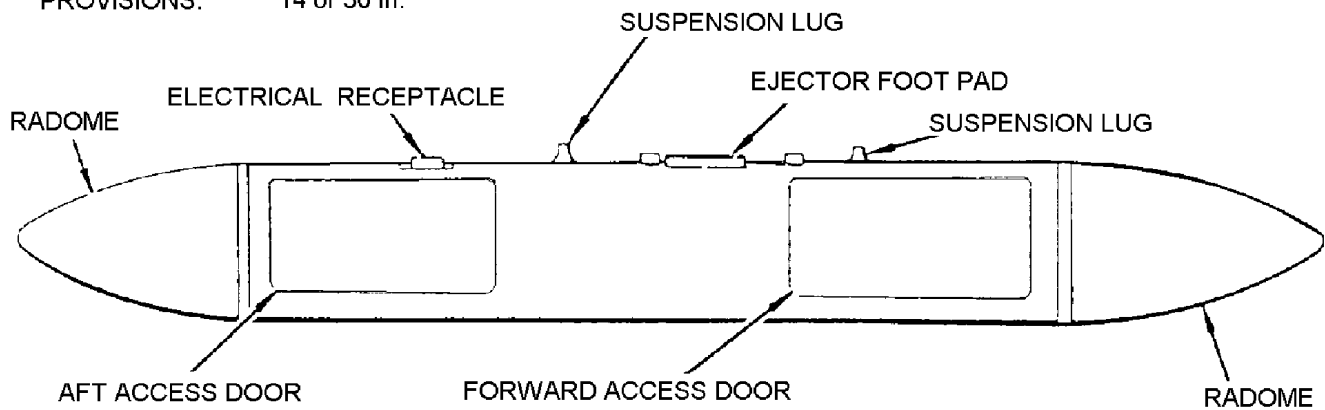


Figure 3-16.—AN/AWW-9/13 advanced data-link pod.

- A4. *The Maverick missile is used against fortified ground installations, armored vehicles, and surface combatants.*
- A5. *The Maverick missile has automatic terminal homing on laser energy reflected from the target, which has been illuminated by a laser designator.*
- A6. *The three basic modes of HARM missile operation are self-protect, target of opportunity, and prebrief.*

The weapon system may be used in one- or two-aircraft operations. In a single aircraft operation, the aircraft carries both the weapon and the pod, and the aircraft perform both launch and control functions. In the two-aircraft operation, one aircraft carries the weapon and a second aircraft carries the pod. In this operation, both the launch aircraft and the pod aircraft receive a video picture of the target area from the weapon. After weapon launch, the pod aircraft monitors the flight of the weapon and can update the weapon aim point all the way to impact.

Tactically, the two-aircraft operation dominates because of the limited number of available pods. For example, a one-pod configured aircraft monitors the weapon control functions for several individual weapon launchings during one mission (not simultaneously). The three frequency channels (A, C, and E) are used to control the individual weapons launchings. The three channels prevent the control section of the weapon from responding to override (steering) commands from a pod that is not set to that weapon's specific frequency

channel. Therefore, more than one weapon/pod operation can be conducted in the same area.

The Walleye II ERDL Mk 38 series (frequency channels A, C, and E) practice guided weapon is used for captive flight and data-link training for pilots of data link configured F/A-18 aircraft. The practice-guided weapon contains the same data link components as the tactical Walleye II ERDL Mk 23 weapon except that the warhead in the Mk 38 is filled with inert material.

**REVIEW NUMBER 5**

- Q1. *Name the four basic series of Walleye guided weapon systems.*
- Q2. *List the sections of the Walleye I tactical weapon.*
- Q3. *When the Walleye I is used, how is a typical attack situation formed?*
- Q4. *What type of suspension does the Walleye II have?*
- Q5. *What is the difference between the Walleye I and Walleye II weapons?*
- Q6. *Name the functions the Walleye II ERDL have that the Walleye I and Walleye II don't have.*
- Q7. *The data-link pod provides the \_\_\_\_\_.*
- Q8. *What prevents the control section of one weapon from responding to commands not set to its channel?*

## GUIDED MISSILE LAUNCHERS

**LEARNING OBJECTIVE:** *Describe the purpose and use of guided missile launchers. Identify the components of the LAU-7/A (series) guided missile launcher.*

Guided missile launchers provide the mechanical and electrical means of suspending and air-launching a guided missile from an aircraft. Because the physical, mechanical, and functional requirements vary for each particular missile-to-aircraft configuration (table 3-2), a brief description of each type of missile launcher is discussed in the following paragraphs.

### LAU-7/A (SERIES) GUIDED MISSILE LAUNCHER

The LAU-7/A (series) guided missile launcher (fig. 3-17) is a reusable launcher that provides a complete launching system for use with the AIM-9 Sidewinder (series) missiles. The launcher (fig. 3-17) has four major assemblies—the housing assembly, nitrogen receiver assembly, mechanism assembly, and power supply.

#### Housing Assembly

The housing assembly is the main structural member of the launcher. It is an extruded, machined

aluminum member that provides structural rigidity to the launcher and includes provisions for mounting all other assemblies. It also includes provisions for mounting the launcher to the aircraft.

#### Nitrogen Receiver Assembly

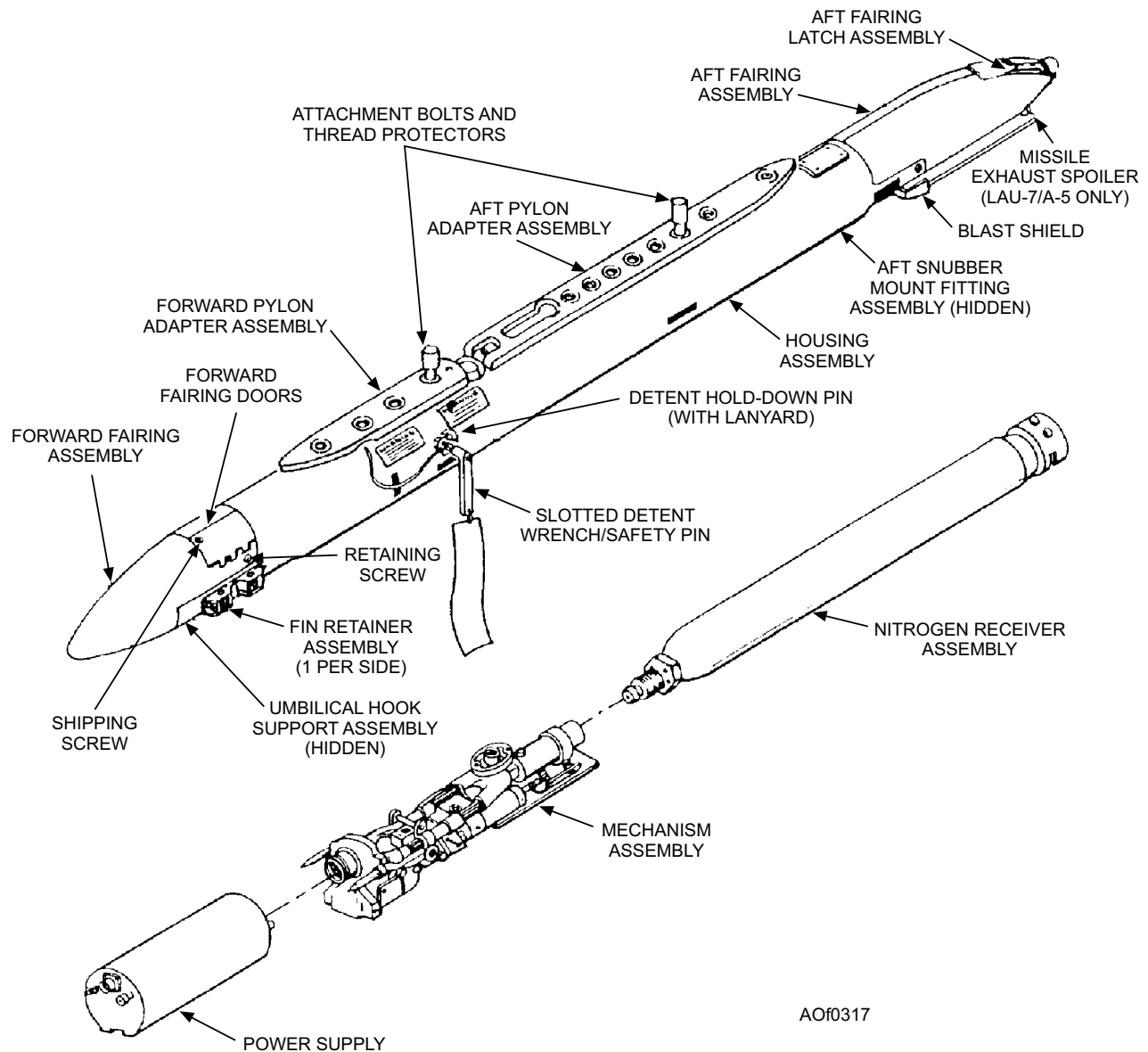
The nitrogen receiver assembly stores the high-pressure nitrogen (3,200 psig) used to cool the missile's IR detector in the guidance system. Two nitrogen receiver assemblies are available for use with the launcher. One is a cylindrical fiber glass container with a corrosion-resistant metal liner, and the other is a plain cylindrical steel container. The receiver mounts in the aft section of the housing assembly and screws into the aft end of the mechanism assembly. All receivers contain a charging valve (for refilling), relief valve, and a pressure indicator mounted in the aft end of the cylinder. The pressure indicator is color coded to ensure correct readings as follows:

- Red                    0 to 2.2 psi
- Yellow                2.2 to 2.8 psi
- Green                 2.8 to 3.5 psi
- White                 3.5 to 5 psi

All readings listed must be multiplied by 1,000 psi.

**Table 3-2.—Missile Launcher Application**

LAU-7/A	AIM-9 SIDEWINDER	RAIL	F-14, F/A-18
LAU-92	AIM-7 SPARROW	EJECTOR	F-14
LAU-93	AIM-54A/C PHOENIX	EJECTOR	F-14
LAU-132	AIM-54C PHOENIX	EJECTOR	F-14D
LAU-115/A	AIM-7 SPARROW	RAIL	F/A-18
LAU-115A/A	AIM-120 AMRAAM	RAIL	F/A-18
LAU-116/A	AIM-7 SPARROW	EJECTOR	F/A-18
LAU-116A/A	AIM-120 AMRAAM	EJECTOR	F/A-18
LAU-117/A(V)2/A	AGM-65 MAVERICK	RAIL	F/A-18
LAU-118/A	AGM-88 HARM	RAIL	EA-6B, F/A-18
LAU-127	AIM-120 AMRAAM AIM-9 SIDEWINDER	RAIL	F/A-18
LAU-138	AIM-9 BOL CHAFF	RAIL	F-14D



AOf0317

Figure 3-17.—LAU-7/A (series) guided missile launcher.

#### REVIEW NUMBER 5 ANSWERS

- A1. The four basic series of Walleye guided weapon systems are the Walleye I, Walleye I EDRL, Walleye II, and Walleye II ERDL.
- A2. The sections of the Walleye I tactical weapon include the guidance section, warhead section, control section, four wings, and four fins.
- A3. When the Walleye I is used, a typical attack situation is formed by the weapon, pilot, and aircraft performing as a complete weapons system.
- A4. The Walleye II has a 30-inch suspension.
- A5. The Walleye I and Walleye II weapons are basically the same; however, the Walleye II is physically larger and has improved electronics.
- A6. The Walleye II ERDL has added data link functions and extended range capability.
- A7. The data-link pod provides the communications link between the pilot and weapon.
- A8. Three frequency channels (A, C, and E) prevent the control section of one weapon from responding to commands not set to its channel.

## Mechanism Assembly

The mechanism assembly is an electromechanical device that holds the missile for takeoffs and landings and releases the missile for launching. It mounts in the center of the housing assembly forward of the receiver assembly. The subassemblies of the mechanism assembly are discussed in the following paragraphs.

**ELECTRICAL HARNESS ASSEMBLY.**—The electrical harness assembly consists of the appropriate connectors and wiring to interconnect between the aircraft power and firing circuits and the launcher. Also, the nitrogen system supply tube is routed through the electrical wiring harness to the power supply.

**DETENT, DETENT LOCK, DETENT-LOCK SOLENOID, AND SNUBBERS.**—The detent, detent lock, detent-lock solenoid, and forward snubbers (fig. 3-18) make up an electromechanical system that restricts longitudinal and lateral motion of the mounted missile. This system prevents accidental launch or release during catapult takeoff or arrested landings. A slotted detent wrench/safety pin is installed through the mechanism assembly to prevent movement of the aft detent and to safe the launcher firing circuits. It is also used to raise the aft detent lug sufficiently to clear the missile hanger during loading. The slotted detent

wrench/safety pin is removed before flight. When the detent is down (normal), the striker points make contact with the buttons (contacts) on the forward hanger of the missile. The forward striker point does not have a function for the missile; the aft striker point makes contact between the missile and the firing safety switch.

**NITROGEN CONTROL VALVE.**—The nitrogen control valve is a solenoid-operated shutoff valve that controls the flow of nitrogen from the receiver assembly to the missile. The pilot controls operation of the control valve from the cockpit.

## Power Supply

One power supply is available for use in the launcher. Power supply PP-2581/A is a single-phase power supply. It is a self-contained unit with connectors on each end. The aft connector links the power supply and the mechanism assembly. The forward connector provides the connection to the missile's umbilical cable.

## Forward Fairing Assembly

The forward fairing assembly is an aluminum casting that mounts to the forward end of the outer housing to provide an aerodynamic nose to the front of

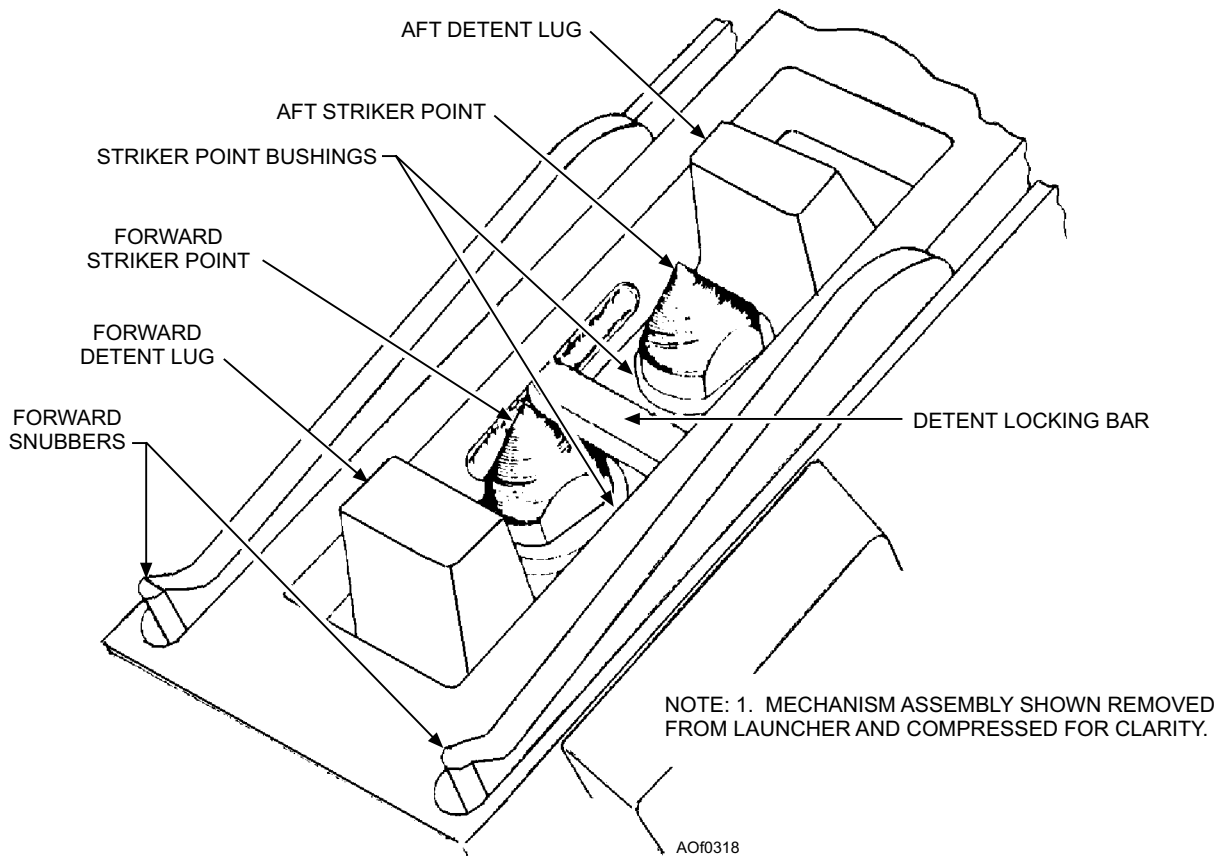


Figure 3-18.—Mechanism assembly detent and snubbers.



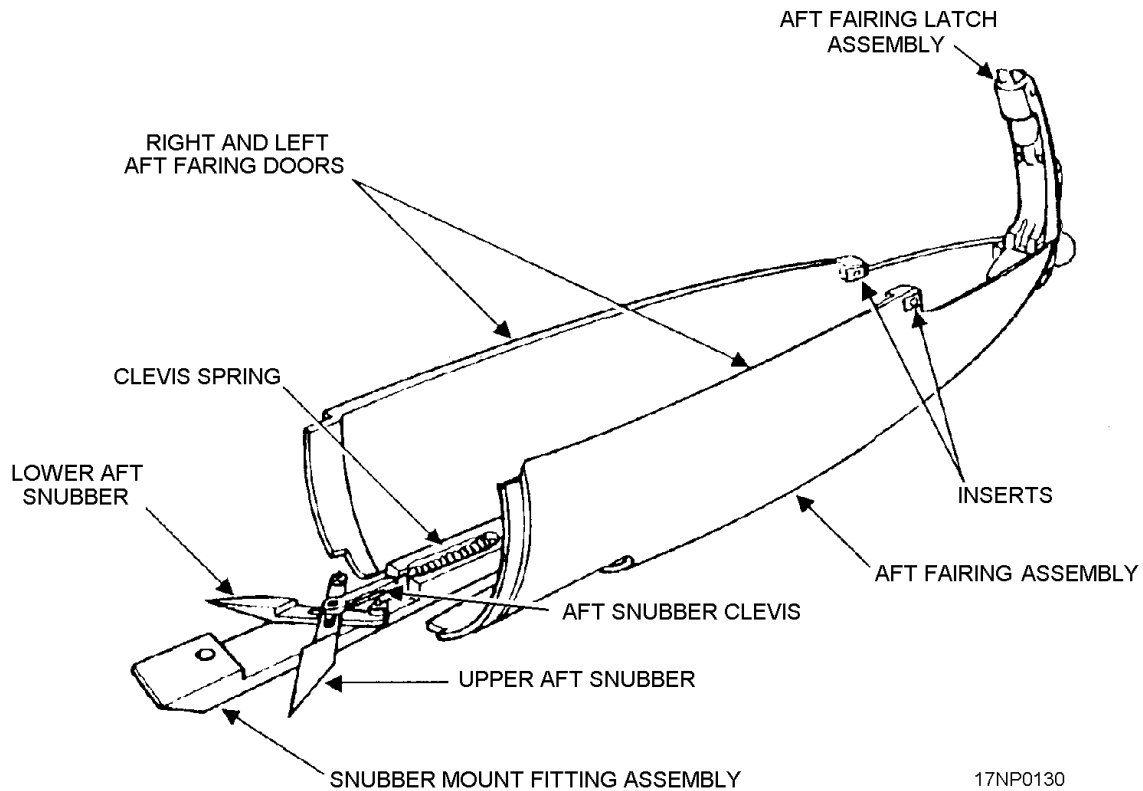


Figure 3-19.—Aft snubber mount fitting assembly, aft fairing assembly, and aft fairing latch assembly.

the launcher. It has two doors that are spring-loaded to open. These doors provide access to the umbilical hook support assembly.

### Umbilical Hook Support Assembly

The umbilical hook support assembly mounts to the forward housing rails and, during missile loading, is connected to the missile umbilical shear block. At missile launch, the mechanism snaps up, retracting the sheared end of the umbilical cable into the launcher to prevent interference with the missile hangers.

### Fin Retainer Assemblies

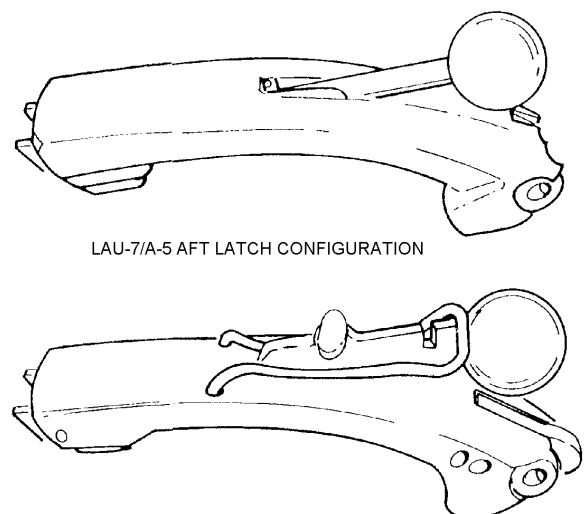
Two fin retainer assemblies are mounted to the forward end of the housing assembly beneath the forward fairing assembly. The fin retainer is a small, U-shaped bracket that contains two spring retainers that snap over the missile fins to prevent movement during captive flight.

### Snubber Mount Fitting Assembly, Aft Fairing Latch Assembly, and Aft Fairing Assembly

The aft snubber mount fitting assembly, aft snubber assembly, and aft fairing latch (fig. 3-19) are assembled together as a group and mounted to the aft end of the

housing assembly. When the aft fairing latch assembly (fig. 3-20) is in the open position, you can access the nitrogen receiver. It also releases the aft snubbers to allow missile loading. When in the closed position, it allows the snubbers to spring over the aft missile hanger, locking it in place.

For further information on the LAU-7/A (series) guided missile launcher, refer to *Guided Missile Launcher LAU-7/A*, NAVAIR 11-75A-54.



LAU-7/A-5 AFT AND LAU-7B/A LATCH CONFIGURATIONS

NOTE: AFT LATCH ASSEMBLIES SHOWN REMOVED FROM LAUNCHER FOR CLARITY.

17NP0131

Figure 3-20.—Aft fairing latch assembly.

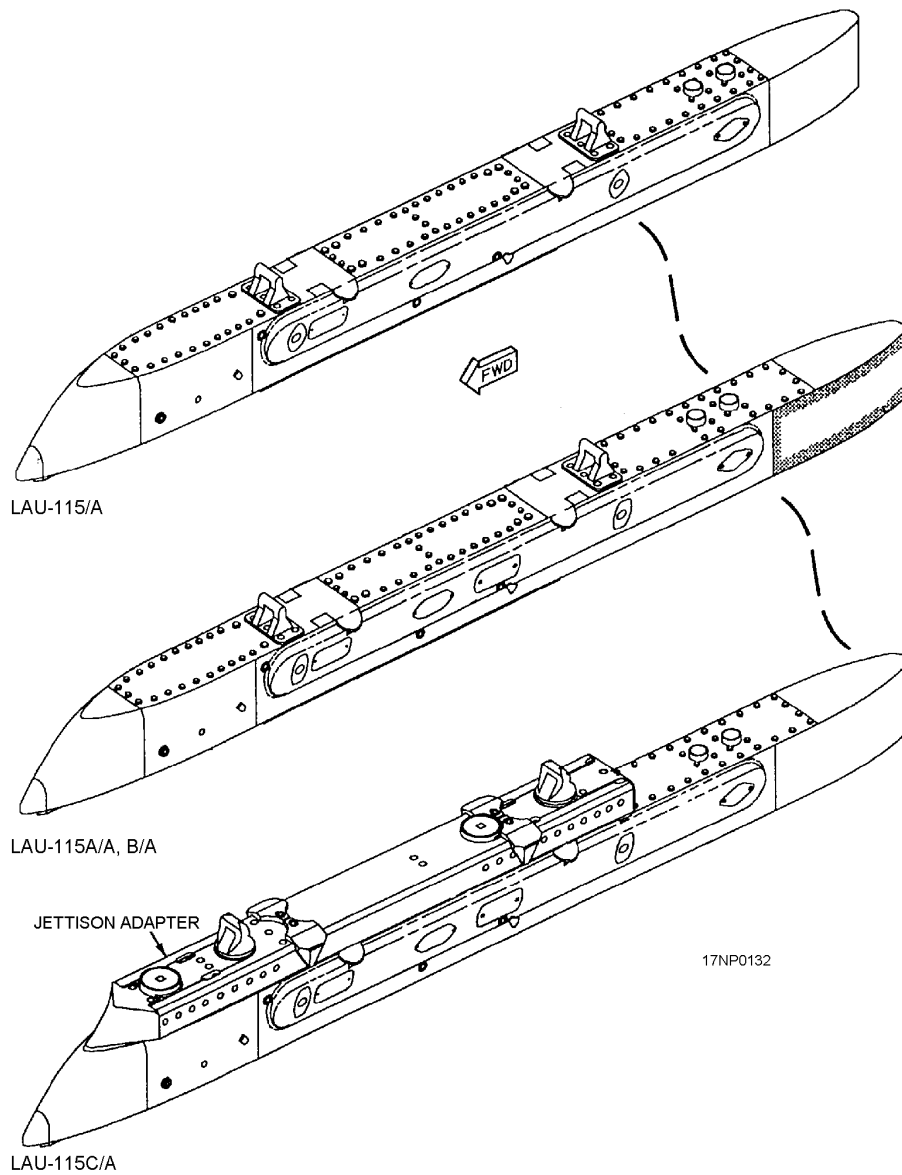


Figure 3-21.—LAU-115A/A, LAU-115B/A, and LAU-115C/A guided missile launchers.

**REVIEW NUMBER 6**

- Q1. What missile launcher is used to carry and launch the Sidewinder missile?
- Q2. List the four major assemblies of the LAU-7/A launcher.
- Q3. What is the purpose of the nitrogen receiver assembly?
- Q4. What is the purpose of the detent, detent lock, detent-lock solenoid, and snubber subassemblies of the mechanism assembly?

Q5. What does the LAU-7/A guided missile launcher provide?

**LAU-115 SERIES GUIDED MISSILE LAUNCHER**

The LAU-115 series guided missile launcher (fig. 3-21) is a reusable launcher. It completes the F/A-18 aircraft suspension and launching system for the AIM-7 Sparrow missile. The technical characteristics can be found in (table 3-3). The forward internal grooves of the rail provide a guide and support for the

Table 3-3.—LAU-115 Technical Characteristics

LAU-115/A	LAU-115A/A	LAU-115B/A	LAU-115C/A
Weight: 52 pounds	Weight: 59 pounds	Weight: 59 pounds	Weight: 120 pounds
Height: 7 inches	Height: 7 inches	Height: 7 inches	Height: 10 inches
Width: 7 inches	Width: 7 inches	Width: 7 inches	Width: 7 inches
Length: 78 inches	Length: 82 inches	Length: 82 inches	Length: 82 inches

forward missile-mounting button. The external rail flanges are a guide for the aft missile suspension lugs during firing. The aft section of the rail consists of a removable fitting that provides mounting for the aft missile suspension lugs.

### REVIEW NUMBER 6 ANSWERS

- A1. *The LAU-7/A missile launcher is used to carry and launch the Sidewinder missile.*
- A2. *The four major assemblies of the LAU-7/A launcher include the housing, nitrogen receiver, mechanism, and power supply assemblies.*
- A3. *The nitrogen receiver assembly is used to store high-pressure nitrogen (3,200 psig) that is used to cool missile IR detector guidance systems.*
- A4. *The detent, detent lock, detent-lock solenoid, and snubber subassemblies of the mechanism assembly are an electromechanical system that restricts longitudinal and lateral movement of mounted missiles. This prevents accidental launch or release during catapult takeoffs or arrested landings.*
- A5. *The LAU-7/A guided missile launcher provides a complete system that lets the pilot monitor the condition of the missile during flight, control mode of operation of the missile guidance system, and initiate arming and launch sequence.*

The latch mechanism is composed of a detent cam and keeper. The detent cam is spring-loaded down and

acts as a stop during missile loading. The cam mechanism is constructed so the force created by the missile motor during normal missile firing overcomes the detent cam spring tension. This action lets the missile button push the detent cam up, actuating the missile-gone switch.

An electrically operated solenoid is used to assure that the missile is retained during sudden deceleration, such as an arrested landing. The keeper portion of the latch mechanism is spring-loaded to the down position and retains the missile during all periods of aircraft acceleration. The keeper mechanism has an indicator. When the keeper is in the down or latched position, the indicator is flush with the launcher skin. If, during missile loading, the missile button is not in its maximum forward position, the indicator extends beyond the upper launcher mold line. This indicates that the missile is not properly latched in place. During loading, the missile button can slide past the keeper, stopping when contact is made with the detent cam.

During the unloading of a missile, the indicator bell crank is supported in the launcher structure. Using a 3/8-inch square drive tool manually operates it. The square drive end of the bell crank is accessible from the side of the launcher. The launchers are suspended from BRU-32 bomb racks in the outboard pylons. Two LAU-7/A launchers can be attached for suspension of the AIM-9 missiles. For ground safety, an actuator-operated safety device prevents inadvertent loss of the AIM-7 missile.

### LAU-116/A GUIDED MISSILE LAUNCHER

The LAU-116/A guided missile launcher (fig. 3-22) is a reusable launcher of the F/A-18 aircraft

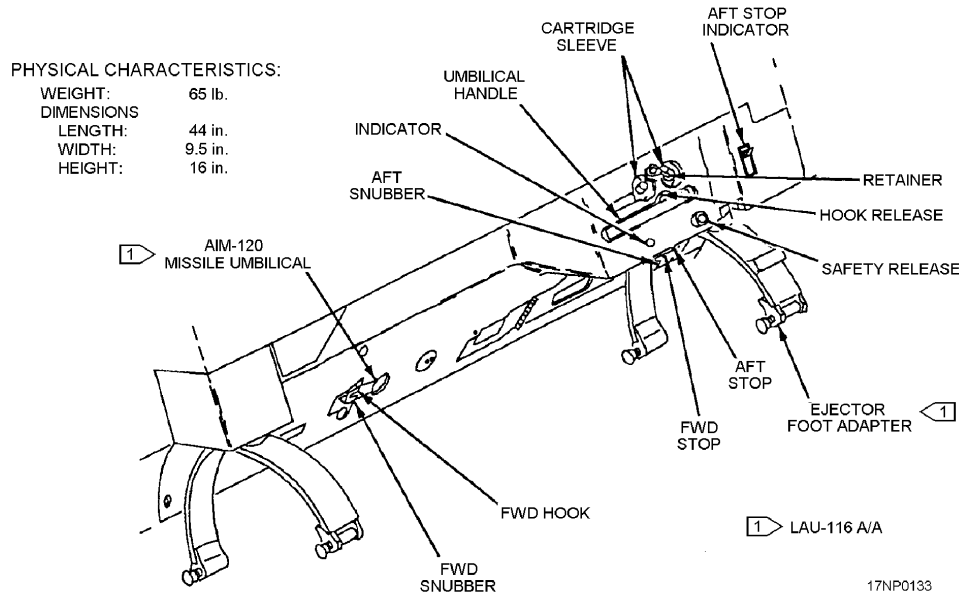


Figure 3-22.—LAU-116/A guided missile launcher.

suspension and launching system for the AIM-7 Sparrow missile. The launchers are mounted internally in the fuselage structure. They are self-contained, gas-operated mechanisms, capable of suspending and ejecting the AIM-7 Sparrow missile. Two CCU-45 impulse cartridges ignited by an electrical impulse applied by the missile-firing switch, supply ejection force. The rapidly expanding gases actuate the ejector pistons and release the missile from the launcher. Power is applied to the missile guidance control system through the umbilical plug. An actuator-operated safety device prevents inadvertent firing of launcher cartridges.

### LAU-117/A GUIDED MISSILE LAUNCHER

The LAU-117/A guided missile launcher (fig. 3-23) is a reusable launcher that completes the F/A-18 aircraft suspension and launching system for the Maverick, AGM-65, air-to-ground missile. The mechanical structure of the launcher is built around a box-section channel or rail, which supports the missile. The missile hooks contact the rail surfaces or tracks, which are hard, anodized metal treated with a dry lubricant. Two lug fittings and lugs provide mechanical interface with the bomb rack. The two lug fittings provide smooth surfaces for the bomb rack sway braces. The missile restraint device is recessed into the rail channel between the lug fittings. A stop on one side of the rail track engages the missile aft hook to prevent damage to the umbilical connector during loading. The rear of the rail channel provides mounting for the

launcher electronic assembly and the umbilical engaging assembly. The launcher electronic assembly houses all electronic circuitry. Fairings at the front of the rail and the rear of the launcher electronic assembly provide aerodynamic surfaces. Special brackets and bushings are provided for the Navy's single hoist ordnance loading system. The launcher can be suspended from the BRU-32 bomb rack on the inboard and outboard pylons. An electrically operated safety device prevents inadvertent loss of the missile.

### LAU-118/A GUIDED MISSILE LAUNCHER

The LAU-118/A guided missile launcher (fig. 3-24) is a reusable launcher that completes the F/A-18 and EA6B aircraft suspension and launching system for the HARM, AGM-88, air-to-ground guided missile. The launcher consists of the launcher housing, forward and aft fairing assemblies, forward and aft launcher tracks, suspension lugs, insert plugs, and internal electrical components. The launcher is a structurally modified Aero 5B-1. The LAU-118/A is suspended from the BRU-32 bomb rack on the inboard and outboard pylons. An electrically operated retention mechanism prevents inadvertent loss of the missile.

### LAU-92/A GUIDED MISSILE LAUNCHER

The LAU-92/A guided missile launcher (fig. 3-25) carries and launches the AIM-7 (series) Sparrow guided missile on the F-14 aircraft. The launcher is installed in semisubmerged fuselage stations 3, 4, 5,

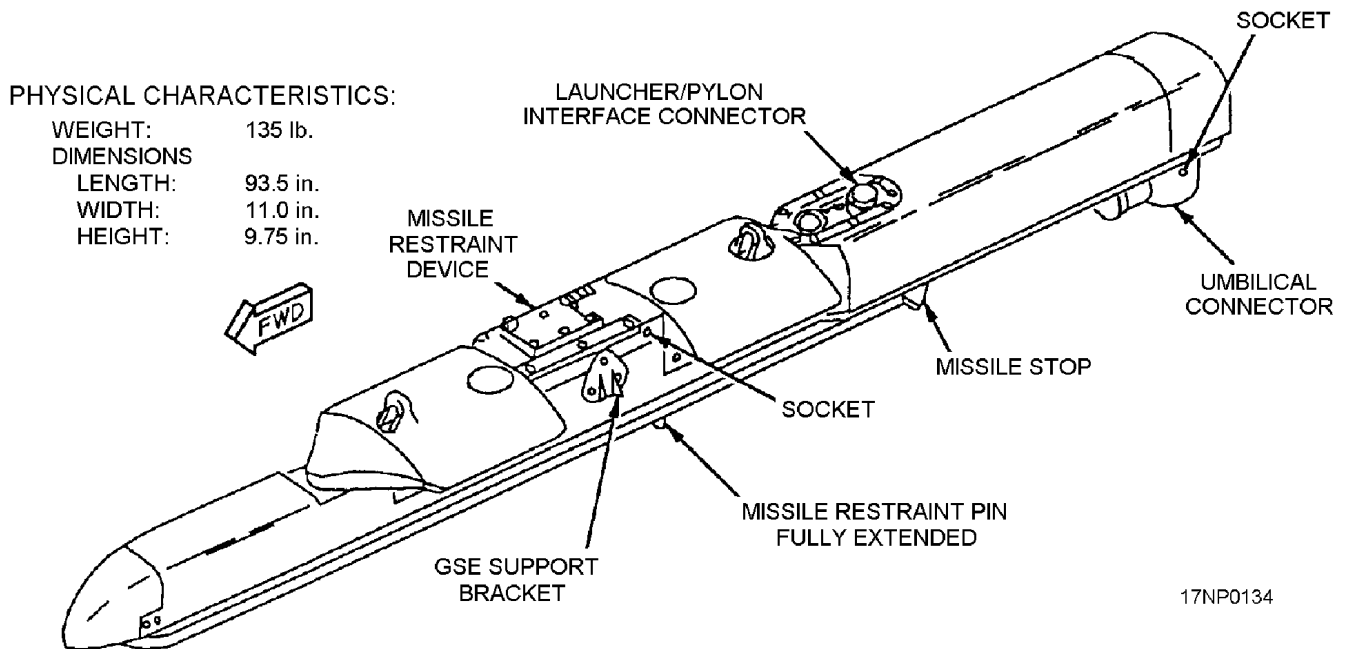


Figure 3-23.—LAU-117/A guided missile launcher.

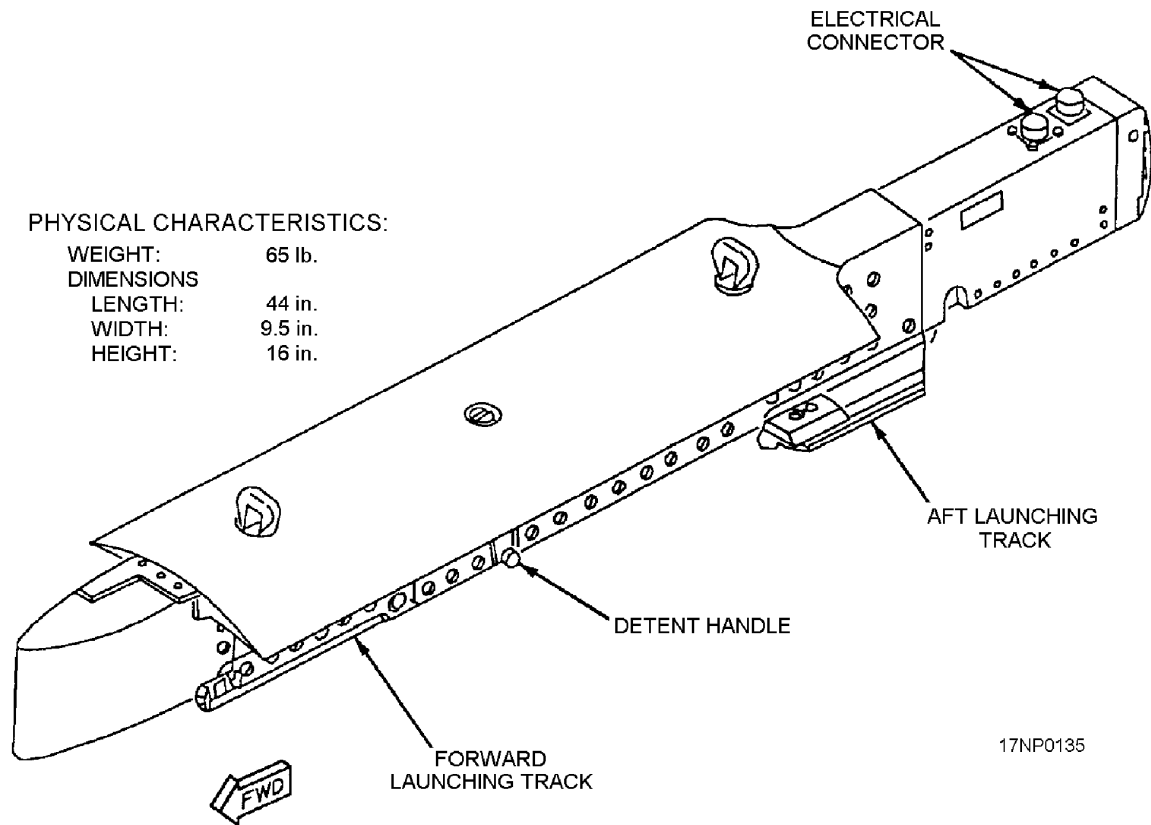


Figure 3-24.—LAU-118 guided missile launcher.

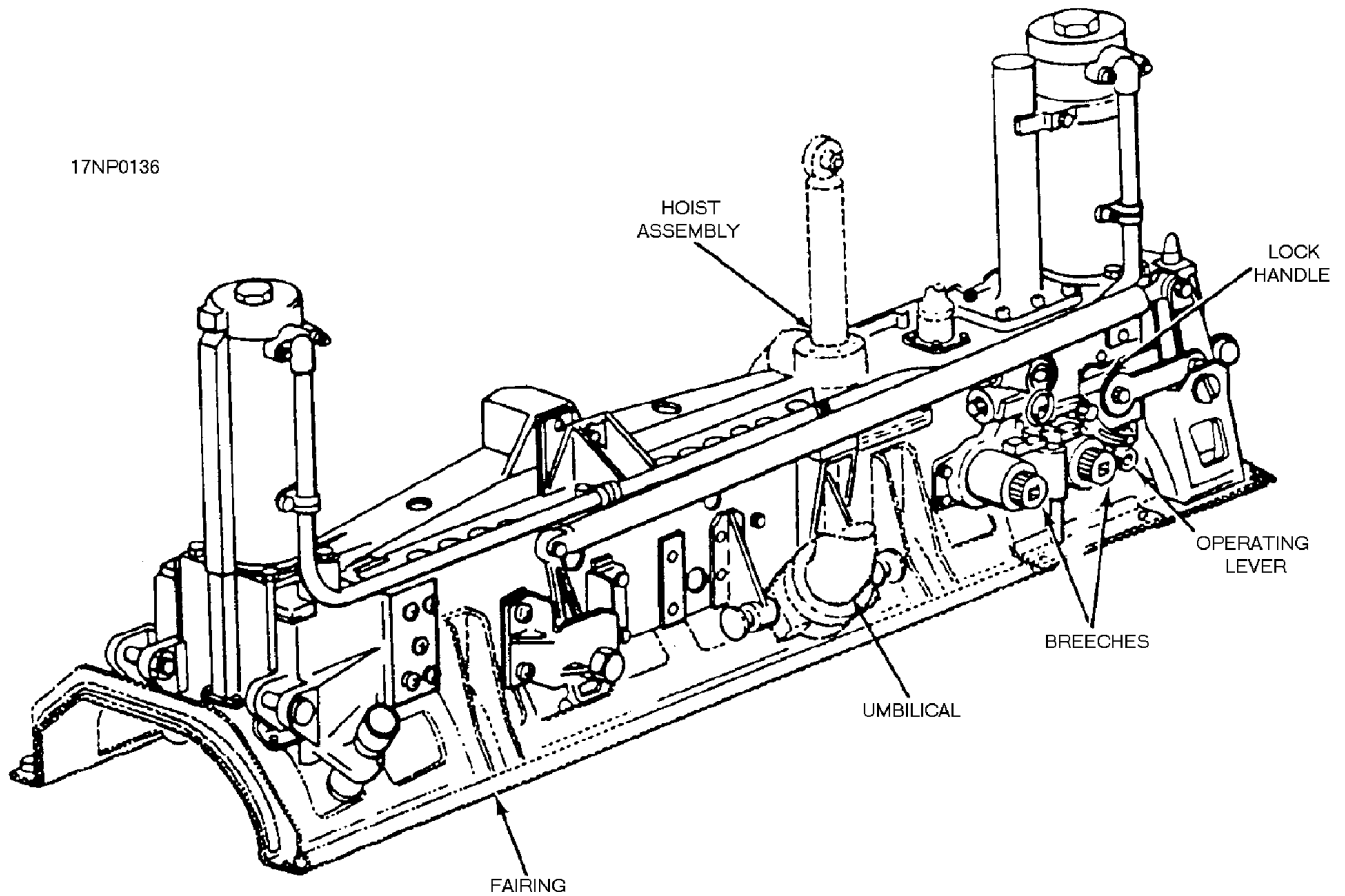


Figure 3-25.—LAU-92/A guided missile launcher.

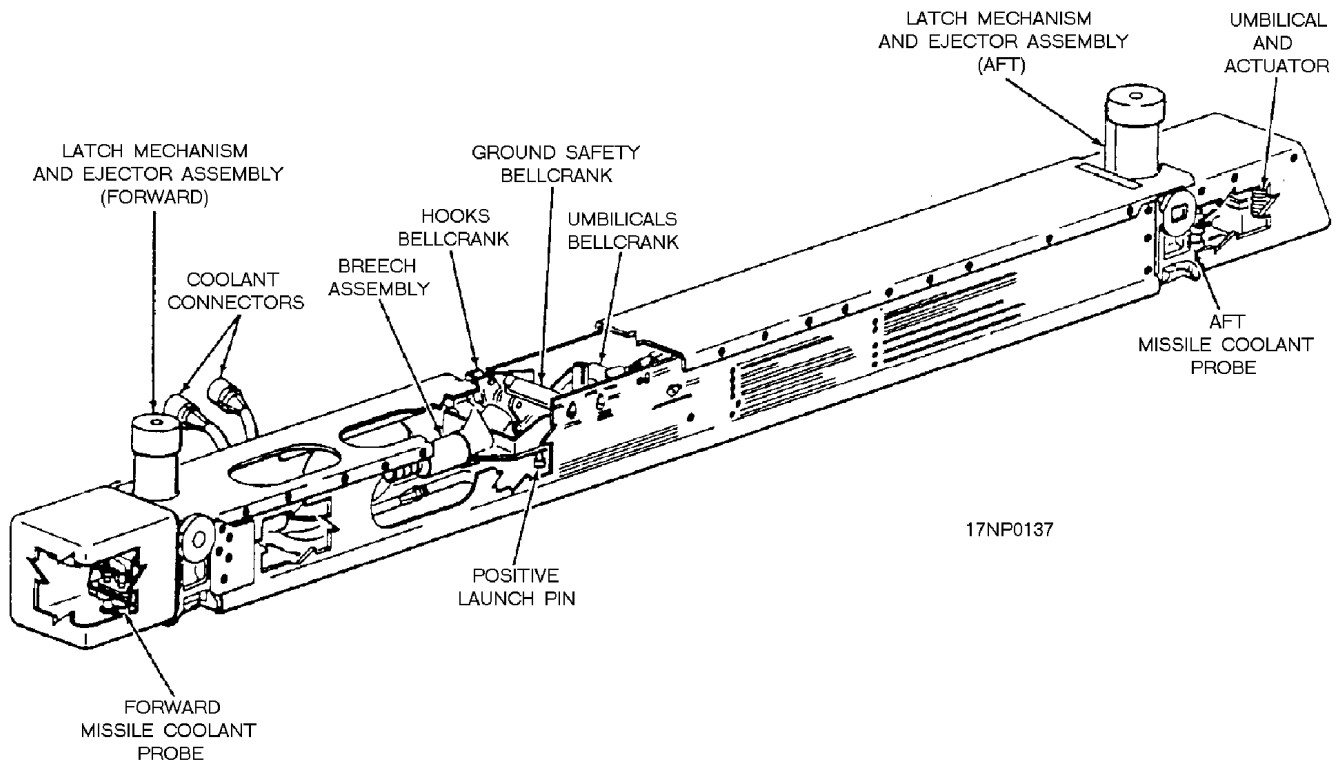


Figure 3-26.—LAU-93/A guided missile launcher.

and 6. It is retained on the weapons rail by means of four hooks, which are operated by a latch mechanism. The launcher can also be installed on the wing-mounted, multipurpose pylon by using an LAU-92/A adapter. The launcher components are accessible by means of a door in the adapter.

### LAU-93/A GUIDED MISSILE LAUNCHER

The LAU-93/A guided missile launcher (fig. 3-26) carries and launches the AIM-54 Phoenix missile, and is installed on the weapons rail of the F-14 aircraft. The launcher provides electrical and coolant connections

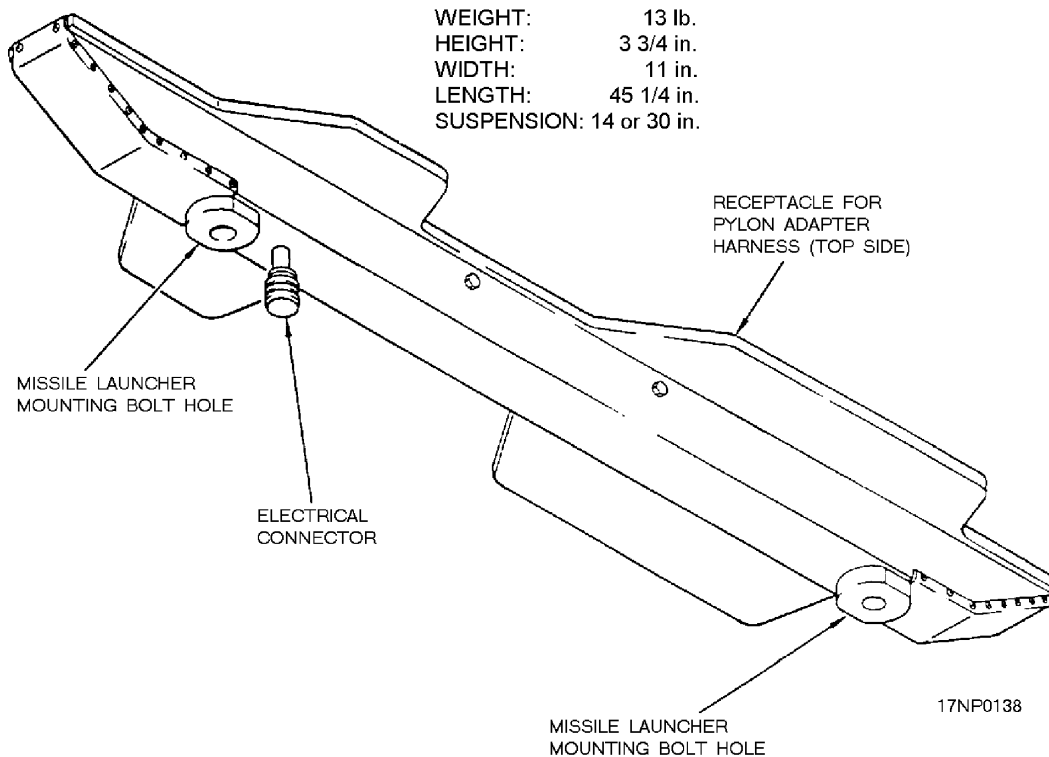


Figure 3-27.—ADU-299/E missile launcher adapter.

between the weapons rail and the missile. The mechanical components of the launcher consist of a gas-operated, hook-opening linkage and two ejectors, a ground safety lock and positive launch pin, coolant, and electrical umbilical. The launcher can also be installed on the wing-mounted, multipurpose pylon by using an LAU-93/A adapter.

### ADU-299/E MISSILE LAUNCHER ADAPTER

The ADU-299/E missile launcher adapter (fig. 3-27) is used to adapt the LAU-7 missile launcher, providing Sidewinder missile capabilities. Mechanical attachment of the adapter to the ejector rack is provided

by two suspension lugs on 30-inch centers. Mechanical attachment of the adapter to the LAU-7 launcher is provided by two swivel nuts positioned on 30-inch centers to mate with the launcher bolts. When the launcher and adapters are electrically connected and mechanically mated, an adapter harness from the wing pylon to the aft end of the adapter supplies electrical power.

### LAU-127 GUIDED MISSILE LAUNCHER

The LAU-127 guided missile launcher (fig. 3-28) is designed to carry and launch the AIM-120 series

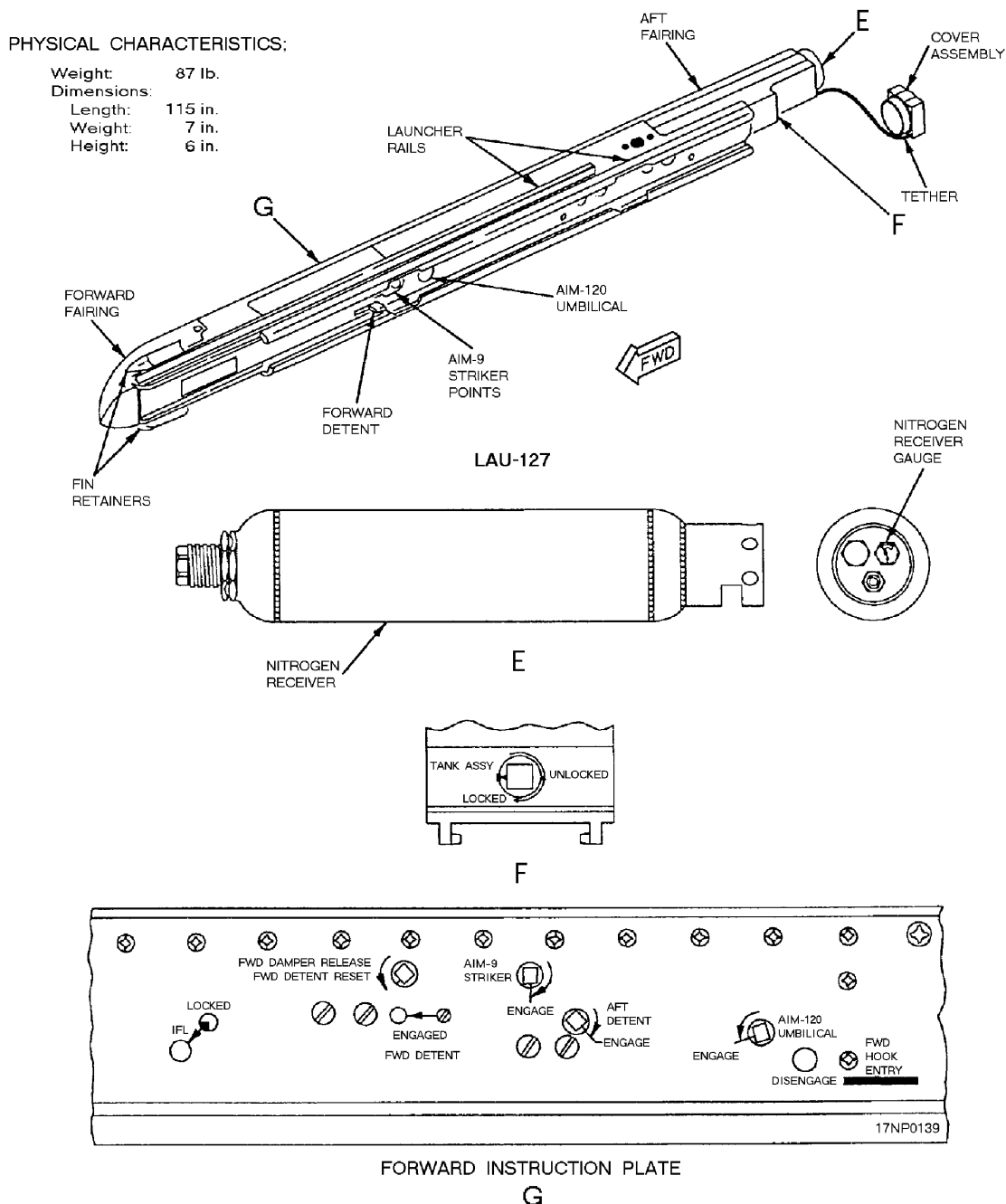


Figure 3-28.—LAU-127 guided missile launcher.

AMRAAM missile. The LAU-127 will also be capable of launching the AIM-9 series sidewinder missile.

## **LAU-132 GUIDED MISSILE LAUNCHER**

The LAU-132 guided missile launcher is similar in appearance and operation to the LAU-93 launcher. The LAU-132 was developed for carriage and launch of the AIM-54C Phoenix missile on the F-14D aircraft.

### **REVIEW NUMBER 7**

- Q1. What missile launcher is used to carry an AIM-7 Sparrow missile on the outboard pylon of an F/A-18 aircraft?*
- Q2. What guided missile launcher completes the F/A-18 aircraft suspension and launching system for the Maverick missile?*
- Q3. What missile is compatible with the LAU-118/A guided missile launcher?*
- Q4. What missile launcher is used to carry and launch the AIM-54 Phoenix missile on the F-14 aircraft?*

### **GUIDED MISSILE HANDLING**

**LEARNING OBJECTIVE:** *Identify the methods used in guided missile handling afloat and ashore.*

The establishment of the all-up-round (AUR) concept simplified the handling of guided missiles at the user level. The AUR concept has improved the reliability, availability, and logistics support of current guided missiles used by fleet activities.

### **NAD/NWS/NAWMUs**

The service life of an AUR missile begins at a naval ammunition depot (NAD) or a naval weapons station (NWS). The NAD or NWS receives the individual components of a missile from the manufacturer. The NAD or NWS assembles the components to make up a complete round, performing the required operational checks and tests. The AUR is then packed into a missile container and is stored as RFI (ready for issue). The missile logbook is also packed inside the missile container. The missile logbook is compiled from the operational records that are received with each component. This logbook remains with the missile until the missile is either expended (fired) or disassembled.

Naval Air Weapons Maintenance Unit (NAWMUs) is assigned to areas close to overseas operating forces. Generally, they are located at a naval air station (NAS) or a naval magazine station (NAVMAGSTA). The purpose of NAWMUs is to upgrade missiles from a non-RFI (not ready for issue) status to an RFI status. This prevents the time-consuming and costly procedure of shipping non-RFI missiles from overseas operating areas back to the United States for component replacement or scheduled checks and tests. This quick turnaround time increases missile availability to deployed operating units in the fleet.

### **AFLOAT**

Under the AUR concept, missiles are received aboard ship in containers completely assembled except for the wings and fins. Depending upon the particular missile and the type of container involved the wings and fins may or may not be shipped in the same container as the missile. In most cases, the wings and fins are shipped in separate containers that contain either one complete set of wings and fins (4 wings and 4 fins) or two sets of wings and fins (8 wings and 8 fins).

When containerized missiles, wings, and fins are received aboard ship, the containers are inspected for any obvious damage. When the inspection reveals a damaged container, it must be sent to the decanning area to be opened for inspection of the missile or wings and fins. When a container, missile, or wings and fins do not meet the inspection criteria listed in the appropriate technical manual, they must be tagged non-RFI and kept separate from RFI material for later turn-in. Missiles, wings, and fins can be either deep stowed in magazines still in their sealed containers, or they can be decanned, inspected, and stowed in stanchions located in ready-service magazines or missile magazines. Missiles that are deep stowed in their sealed containers can be off-loaded as RFI. However, when the seal has been broken and/or the missiles, wings, or fins removed from the container, the missiles, wings, and fins must be tagged non-RFI and off-loaded to the appropriate NAD, NWS, or NAWMU.

When missiles are decanned for ready service, the missile logbooks are removed from the empty containers and turned in to the aviation ordnance control station (AOCS), where they are kept on file until the missile is fired (expended) or off-loaded. When the missile is fired, the missile logbook is mailed to the appropriate NAD or NWS. When the missile is to be off-loaded, the logbook must be placed in the missile container.



## ASHORE

Guided missile handling functions for naval air stations or shore-based squadrons are the same as shipboard functions except for the obvious difference in working environments. Space limitations are not as critical ashore and allow for an increase in handling capability.

Other details of missile handling, such as MOAT (missile on aircraft test), supply procedures, missiles firing reports, quality deficiency reports, and loading procedures, are discussed in the appropriate chapters throughout this manual.

### REVIEW NUMBER 8

- Q1. *What concept simplified the handling of guided missiles at the user level/*
- Q2. *The responsibility for assembling individual missile components into complete RFI missiles rests with \_\_\_\_\_.*
- Q3. *What is the purpose of a Naval Air Weapons Maintenance Unit (NAWMU)?*

### SAFETY PRECAUTIONS

**LEARNING OBJECTIVE:** *Recognize the safety precautions to follow when working with guided missiles.*

Safety precautions have been established for each particular type of missile. All missile handling must be carried out according to the approved local safety regulations of the ship, depot, or wherever the work is being done. All of the safety precautions cannot be discussed in this chapter. However, some of the general safety precautions are as follows:

- Observe detailed precautions. Follow specific instructions for each type of guided missile. You will find the specific instructions in the manual issued for each particular type of aircraft.
- Keep work areas clear of obstructions, loose cables, hoses, and any unneeded equipment during missile assembly and testing. Permit only assigned personnel engaged in the work in the area or vicinity of the missile.
- Use only the authorized handling equipment with any missile, or any missile section, component, or related parts, including shipping crates and containers.

- Make sure that all electrical equipment used in missile handling operations is adequately shielded and grounded. Also, avoid injury from sharp edges often present on nose assemblies, wings, and fins. After assembly, cover all sharp edges with protective covers.
- Use tools specified in the missile manual when uncrating missile components and for assembling missiles. Do not force any unit. If it does not fit or function properly, determine the cause and correct it before proceeding.
- Before connecting igniters in missile motors, check the firing leads for stray or induced voltages and for static charges.
- Before handling any piece of ordnance material, inspect the safety device to be sure that it is in a SAFE position. If not, the unit must be made safe by experienced personnel before further work is performed.
- The wing servo units in many missiles are supplied with primary power by means of an accumulator charged from gas bottles (or cylinders) containing compressed air or nitrogen; both of which contain pressure. Use extreme caution when charging accumulators and when handling the gas bottles or containers in which the gases are stowed.
- When testing for leaks in a gas container, use soapy water.
- When cleaning hydraulic units, use only the cleaning solvents or other materials specified in the particular missile publication.
- Keep your hands and other parts of your body clear of exhaust vents when working with test equipment that uses high pneumatic pressure.
- When any hydraulic unit is disassembled for inspection or repair, make sure that the workbench is thoroughly cleaned of dirt and metal filings.
- Missile ordnance materials, including rocket motors, igniters, fuzes, warheads, and in some cases boosters or auxiliary rockets, are potentially dangerous. Handle each unit according to the specific procedures authorized in the appropriate publication.

- Load forward-firing ordnance in authorized loading areas only, with aircraft facing uninhabited areas.
- When leading/handling forward-firing ordnance, you should avoid working in front or behind the ordnance.

#### **REVIEW NUMBER 9**

- Q1. *What solution is used to leak test gas containers/*
- Q2. *When handling forward-firing ordnance, what is the desired place you should work/*

#### **REVIEW NUMBER 7 ANSWERS**

- A1. *The LAU-115/A series guided missile launcher is used to carry an AIM-7 Sparrow missile on the outboard pylon of an F/A-18 aircraft.*
- A2. *The LAU-117/A guided missile launcher completes the F/A-18 aircraft suspension and launching system for the Maverick missile.*
- A3. *The AGM-88 HARM missile is compatible with the LAU-118/A guided missile launcher.*

- A4. *The LAU-93/A missile launcher is used to carry and launch the AIM-54 Phoenix missile on the F-14 aircraft.*

#### **REVIEW NUMBER 8 ANSWERS**

- A1. *The handling of guided missiles at the user level was simplified by the introduction of the all-up-round (AUR) concept.*
- A2. *The responsibility for assembling individual missile components into complete RFI missiles rests with naval ammunition depot (NAD) or naval weapons station (NWS).*
- A3. *The purpose of a Naval Air Weapons Maintenance Unit (NAWMU) is to upgrade missiles from a non-RFI to an RFI status.*

#### **REVIEW NUMBER 9 ANSWERS**

- A1. *A soapy water solution is used to leak test gas containers.*
- A2. *When handling forward-firing ordnance, you should work on the sides. Work in the front or rear of the ordnance should be kept to a minimum.*

## CHAPTER 4

# PYROTECHNICS

Pyrotechnics are items that produce their effect by burning, and are consumed in the process. Pyrotechnics, as used in the military, are items that produce a bright light for illumination or colored lights or smoke for signaling.

All Navy pyrotechnic devices contain combustible chemicals. When ignited, these chemicals generate a flame, flash, infrared radiation, smoke, sound display, or combinations of these effects for many purposes. Some of these effects are visual and audible signaling, area and target illumination, reference point marking, indication of practice weapon impact or fuze action, tracking, decoying, simulating, and smoke-screen generation.

Dye-marking devices are pyrotechnics and screening devices, even though their display is not the product of combustion. They are classed as pyrotechnic or screening devices because their end purposes are quite similar to those of the true pyrotechnic. Dye-marking devices are used to establish reference points on the surface of the water. In some cases, the dye is spread on the surface by explosive means.

Pyrotechnics generally function by means of an ignition train, similar to the explosive train of high-explosive ammunition.

For further information on pyrotechnics, you should refer to *Pyrotechnic, Screening, Marking, and Countermeasure Devices*, NAVSEA SW050-AB-MMA-010/NAVAIR 11-15-7.

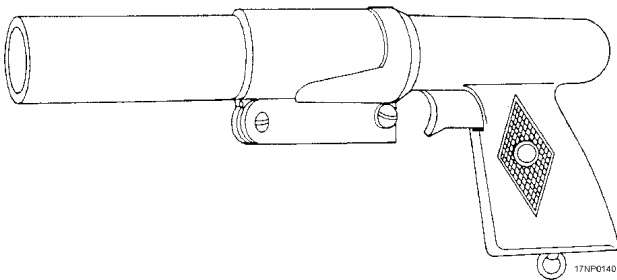


Figure 4-1.—Pyrotechnic pistol, Mk 1 Mod 0.

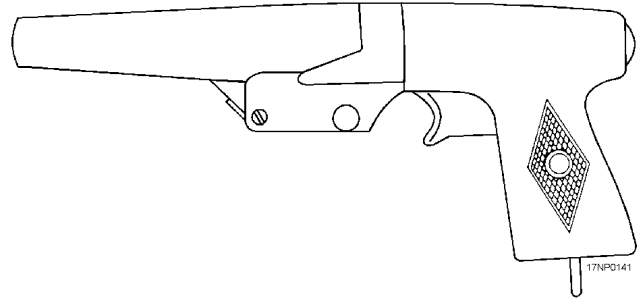


Figure 4-2.—Pyrotechnic pistol, Mk 5.

### HAND-MANIPULATED SIGNALING DEVICES

**LEARNING OBJECTIVE:** *Identify the purpose and use of hand-manipulated signaling devices.*

Hand-manipulated devices are used for various signaling purposes, such as identification, recognition, warning, and distress.

### PYROTECHNIC PISTOLS

Pyrotechnic pistols, Mk 1 Mod 0 (fig. 4-1), Mk 5 (fig. 4-2), and AN-M8 (fig. 4-3) are breech loaded, double-action, single-shot devices. The barrel is hinged to the frame and held in position by a breech block or latch pin. Pulling a pistol type trigger fires all. These

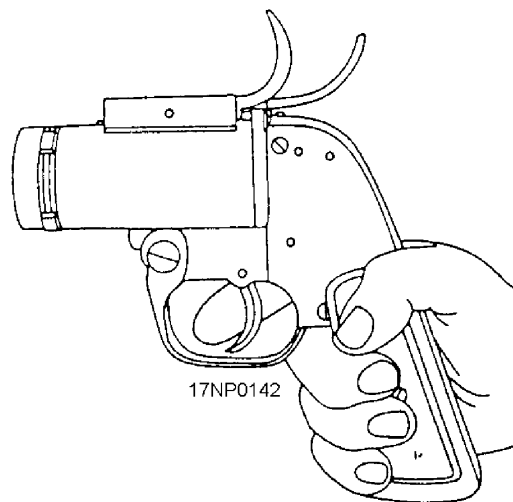


Figure 4-3.—Pyrotechnic pistol, AN-M8.

devices are capable of firing various types of marine signaling devices. Refer to table 4-1.

**MK 13 MOD 0 MARINE SMOKE AND ILLUMINATION SIGNAL**

The Mk 13 Mod 0 (fig. 4-4) is used as a day or night signal by personnel on land or sea. Because of its small size and weight (6.4 ounces), it can be carried in life vests or flight suit pockets and on life rafts. This signal is especially adapted for use by aircrew personnel downed at sea.

The Mk 13 Mod 0 signal is a metal cylinder approximately 5 inches long and slightly more than 1.5 inches in diameter. It emits orange smoke for day use and red flame for night use. Burning time for each end is about 20 seconds. The protective plastic cap on the flame (night) end is molded so there are three prominent protrusions or beads across the face. You can identify this end by the sense of touch. The face of the cap at the smoke (day) end is smooth. A label on the outer surface around the whole body of the signal further identifies the smoke (day) and flame (night) ends. This label has instructions for its use.

To use the signal, remove the plastic cap from the end of the signal. Flip the pull ring over the signal rim and push downward to break the seal. After the seal is broken, NEVER point the signal toward your face or body. Then, ignite the signal with a quick pull on the

ring. Hold the signal firmly at arm's length and at a 45-degree angle to prevent burns from hot drippings. If you only use one end, douse the signal in water to cool it. Save the other end for later use.

**MK 79 MOD 0 ILLUMINATION SIGNAL KIT**

The Mk 79 Mod 0 signal kit (fig. 4-5) consists of a Mk 31 Mod 0 signal projector, a plastic bandoleer that holds seven Mk 80 Mod 0 signals, and an instruction sheet.

Downed aircrew personnel use the distress-signaling device kits. Because it is small and lightweight, personnel can carry it in pockets of flight suits or in life rafts. The projector aims and fires the signals. Each signal contains a single red star. On activation, this star is propelled upward to a height of between 250 and 650 feet. The star burns for a minimum of 4 1/2 seconds.

To operate the device, you cock the projector firing pin by moving the trigger screw to the bottom of the vertical slot, and slip it to the right so that it catches at the top of the angular slot. After cocking the firing pin, remove a signal from the bandoleer and mate the projector with the signal. Now, rotate the projector clockwise until the signal is seated. Hold the projector overhead, pointed at a slight angle away from your body. While firmly gripping the projector, fire the

**Table 4-1.—Pyrotechnic Pistols and Devices Launched**

ITEM	DEVICES LAUNCHED
Mk 1 Mod 0 Pyrotechnic Pistol	Mk 2 Marine Smoke Signal Mk 1 Marine Illumination Signal
Mk 5 Pyrotechnic Pistol	Mk 2 Marine Illumination Signal
AN-M8 Pyrotechnic Pistol	Mk 1 Marine Illumination Signal Mk 2 Marine Smoke Signal Mk 50 Decoy Flare M11 Aircraft Signal

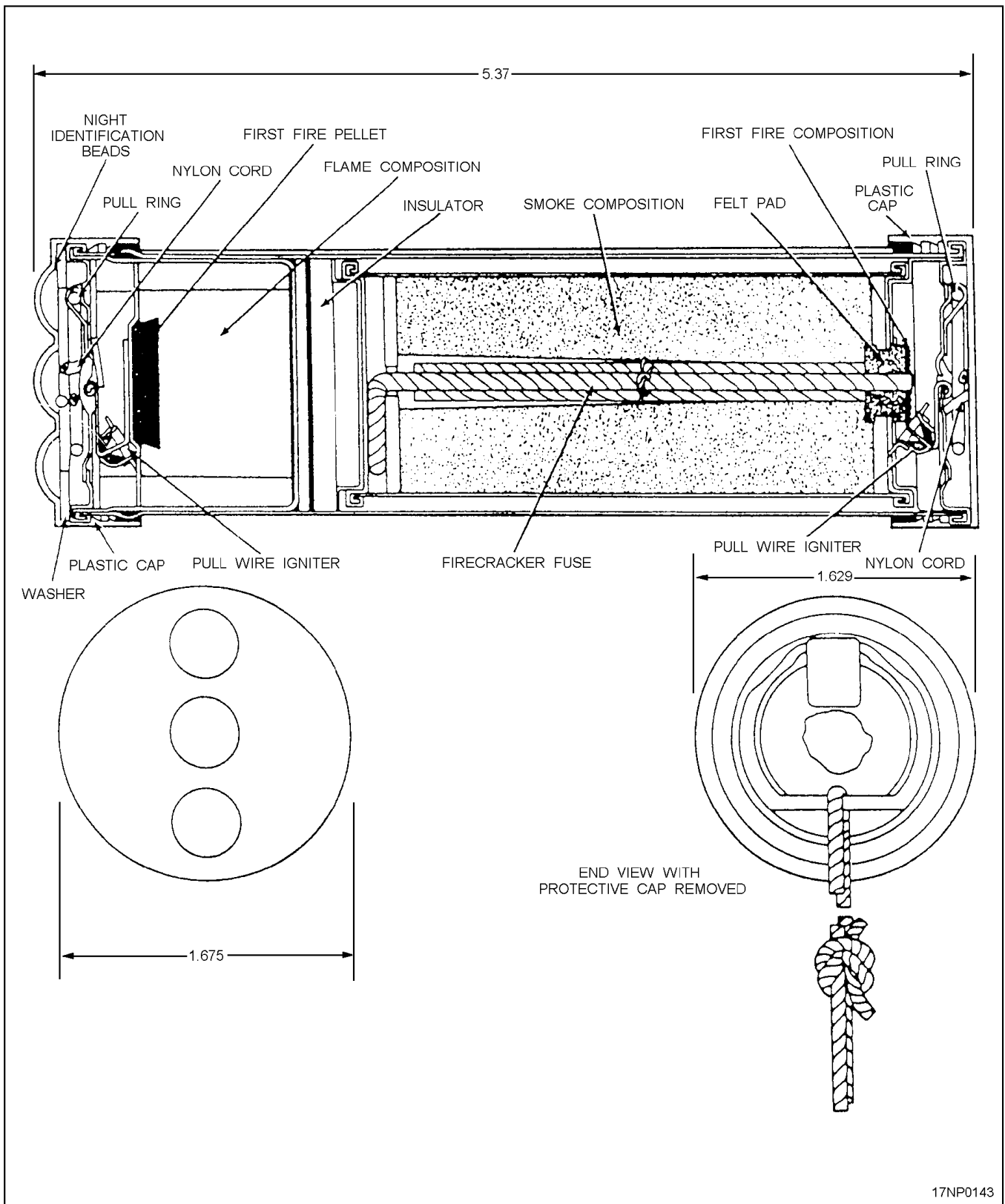


Figure 4-4.—Mk 13 Mod 0 marine smoke and illumination signal.

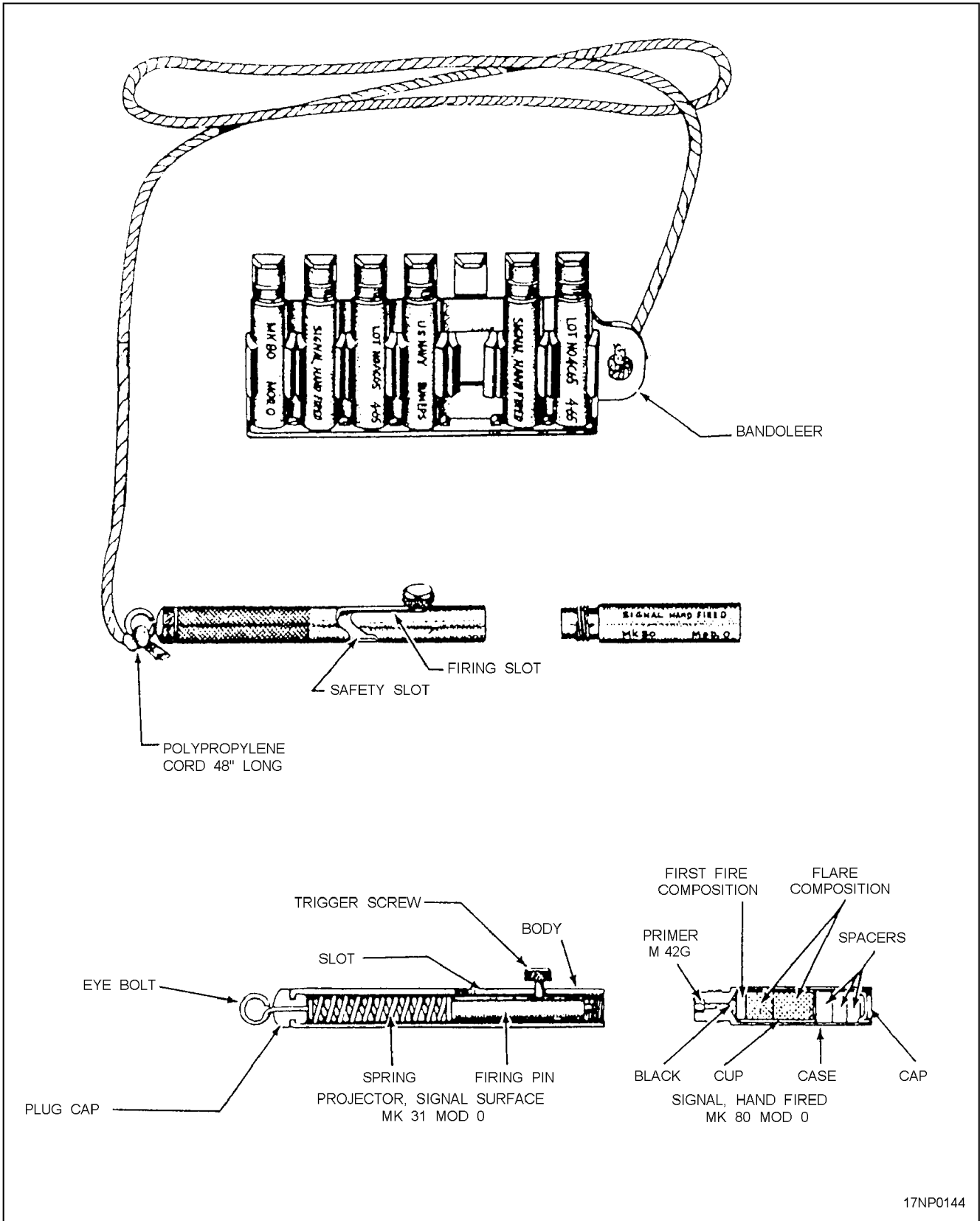


Figure 4-5.—Mk 79 Mod 0 illumination signal kit.

signal by slipping the trigger screw to the left, out of the safety slot and into the firing slot.

**NOTE:** This first step is very important because the signal is threaded and screwed into the end of the projector. If you don't cock the projector before screwing in the signal, the firing pin could be forced into the primer of the signal, possibly firing the signal prematurely.

### REVIEW NUMBER 1

- Q1. Navy pyrotechnic devices contain what type of material?
- Q2. Why are dye-marking devices classified as pyrotechnic devices?
- Q3. When used during the day, what color smoke is emitted from the Mk 13 Mod 0 marine smoke and illumination signal?
- Q4. What is the burning time for each end of the Mk 13 Mod 0 signal?
- Q5. You can identify the night end of the Mk 13 Mod 0 signal by the \_\_\_\_\_.
- Q6. List the components of the Mk 79 Mod 0 illumination signal kit.
- Q7. When you activate the Mk 79 Mod 0 signal kit, the star is propelled upward to a height of \_\_\_\_\_.
- Q8. What is the burn time of the Mk 79 Mod 0 star?

### AREA AND TARGET ILLUMINATING DEVICES

**LEARNING OBJECTIVE:** Describe the purpose and use of area and target illuminating devices to include components and operation.

The illuminating devices discussed in this chapter are designed to be launched or dropped from aircraft.

Aircraft flares are used to illuminate large areas for bombardment, reconnaissance, emergency aircraft landing, or any other purpose where a high-intensity light is required.

### REVIEW NUMBER 1 ANSWERS

- A1. Navy pyrotechnic devices contain combustible chemicals.
- A2. Dye-marking devices are classified as pyrotechnic devices because they are used for about the same purpose as the true pyrotechnic.
- A3. Orange smoke is emitted from the Mk 13 Mod 0 marine smoke and illumination marker when it is used during the day.
- A4. The burning time for each end of the Mk 13 Mod 0 signal is 20 seconds.
- A5. You can identify the night end of the Mk 13 Mod 0 signal by the three prominent beads across its face.
- A6. The components of the Mk 79 Mod 0 illumination signal kit includes the Mk 31 Mod 0 signal projector, a plastic bandoleer, and an instruction sheet.
- A7. When you activate the Mk 79 Mod 0 signal kit, the star is propelled upward to a height of 250 to 650 feet.
- A8. The burn time of the Mk 79 Mod 0 star is a minimum of 4 1/2 seconds.

### LUU-2B/B AIRCRAFT PARACHUTE FLARE

The LUU-2B/B flare is 36 inches long, 4.9 inches in diameter, and weighs about 30 pounds. The flare is supplied only as an AUR, and it is shipped assembled with drogue trays for dispenser launch. The flare is hand launched, or configured for launching from IMER or ITER aircraft bomb racks.

## Components

The LUU-2B/B flare (fig. 4-6) has four major components:

1. The mechanical timer assembly
2. The parachute suspension system
3. The out-of-line igniter
4. The case assembly with the tamped candle

WEIGHT:	30 LB. CANDLEPOWER	2,000,000 LUU-2B/B
LENGTH:	36 IN.	1,600,000 LUU-2A/B
DIAMETER:	4.9 IN.	
SUSPENSION PROVISIONS:	14 IN.	

The mechanical timer assembly consists of a mechanical timer and related hardware in a Lexan plastic housing. The mechanical timer is a three-gear timer, powered by a torsional mainspring. A phosphorescent plastic decal with calibrated markings from 250 to 11,000 feet of fall is located on the face of the timer cover. A white, plastic, dial timer knob is used to set the desired drop distance. Settings of 250, 500, and 1,000 to 11,000 feet can be selected. A safe setting is also provided.

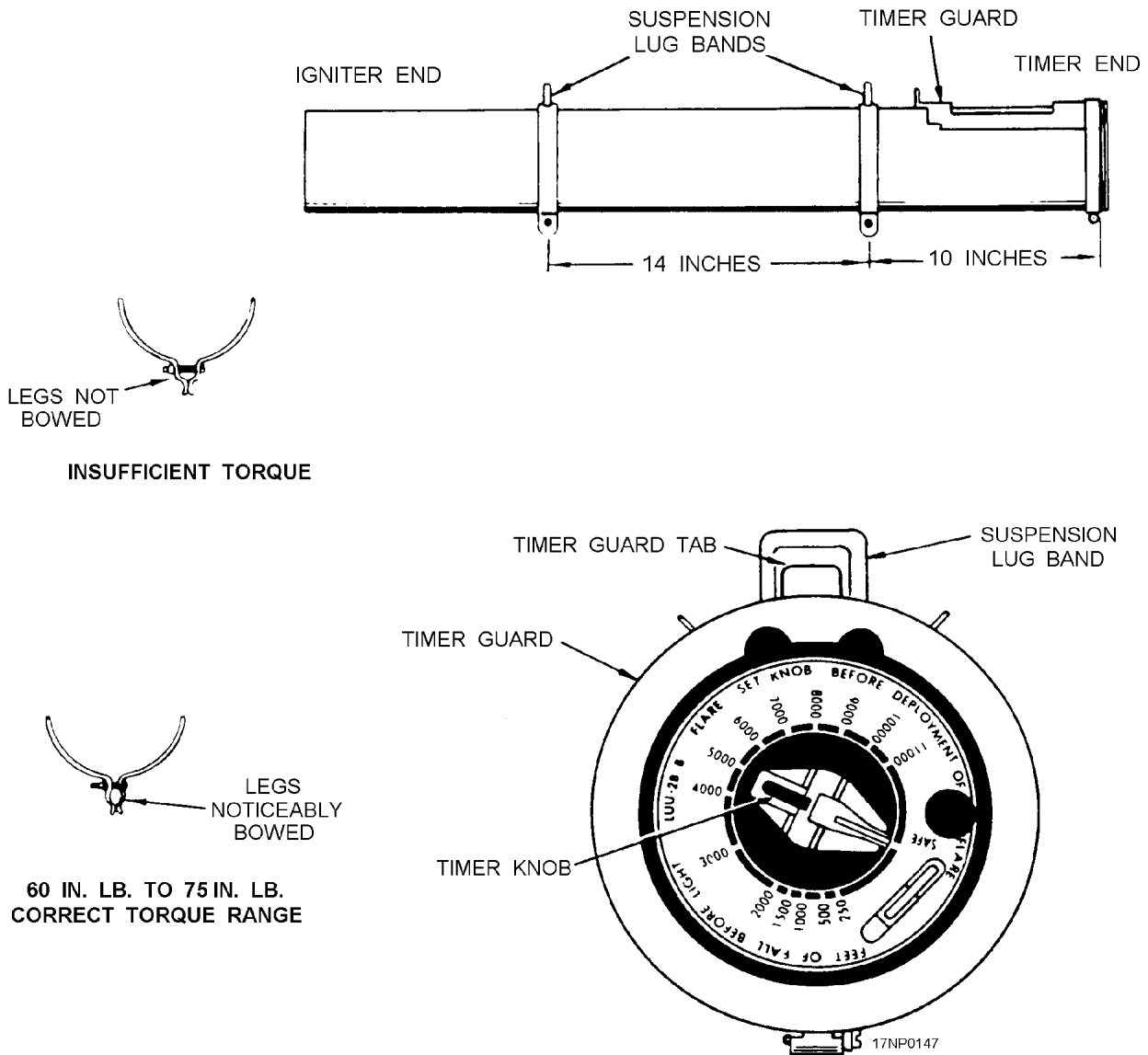


Figure 4-6.—LUU-2B/B aircraft parachute flare.



An 18-foot diameter cruciform-shaped canopy parachute suspension system is used for good stability. The riser cables connect the parachute to a bulkhead. The bulkhead separates the parachute compartment from the remainder of the flare assembly. One cable is attached to an explosive bolt for parachute dump at candle burnout.

In the ignition system, a lanyard is attached to one of the parachute riser cables. This lanyard is threaded through the bulkhead and past the candle in an internal raceway along the side of the aluminum case. This leads to the ignition assembly in the ignition housing near the candle's face. The lanyard is attached to a triggering mechanism, which consists of the out-of-line igniter (OLI-2/A). Upon ignition, the firing pin initiates the pyrotechnic firing train.

The aluminum case assembly contains a tamp-cast illuminating candle that consists of a composition of magnesium, sodium nitrate, and a polymer binder. The flare is designed so the outer aluminum case is partially consumed during candle burning.

## Operation

A lanyard is attached to the timer knob on the flare timer during flare uploading procedures. The lanyard is also connected to the flare drogue tray or bomb rack, depending on the launch configuration. At launch, the timer knob is pulled out of the timer (requires approximately 30 pounds of force) by the lanyard, starting the clock mechanism. After the preset time (drop distance) ends, the three locking pawls in the timer assembly release, retracting and releasing the timer assembly. A spring, located between the timer assembly and the packaged parachute, expels the timer assembly, which, in turn, initiates removal of the parachute from the flare case. When the cord breaks, it separates the timer assembly from the parachute. As the parachute system deploys and its main cables are pulled taut, the ignition lanyard is pulled to activate the ignition system. The ignition lanyard must exert a pull force in excess of 90 pounds to pull the slider assembly in line. This, in turn, releases the firing pin against the primer. The primer ignites a propellant wafer that produces sufficient heat for candle ignition. Pressure buildup during candle ignition blows off the igniter housing, and the candlepower reaches a nominal value. Just before candle burnout, the explosive bolt functions to release one of the suspension cables, causing the parachute to dump.

The LUU-2B/B candle is not ejected from the case on the LUU-2B/B. Only the parachute is removed from the case. A mechanical timer and spring accomplish this. Therefore, if the timer knob should be accidentally pulled during handling when the timer is not on the SAFE setting, the timer and release mechanisms can be forcibly hand-held onto the flare housing to prevent ejection of the timer and release mechanisms. When the timer completes its cycle, the timer mechanism can be taped on the flare housing and marked for disposal. If the timer is ejected from the flare and a portion of the parachute comes out of the housing, the parachute can be stuffed back into the housing, taped, and marked for disposal.

The LUU-2 B/B flare has increased pull force on the parachute lanyard to initiate the ignition sequence. If the parachute should accidentally deploy on the flight deck/line, the opening shock from deck winds or jet blast is not sufficient to ignite the candle.

## REVIEW NUMBER 2

- Q1. What is the approximate weight of the LUU-2B/B aircraft parachute flare?*
- Q2. The components of the LUU-2B/B flare are \_\_\_\_\_.*
- Q3. What is the minimum drop distance setting of the LUU-2B/B flare?*
- Q4. What is the diameter of the parachute suspension system?*
- Q5. At launch, the timer knob is pulled off of the timer by what amount of force on the lanyard?*

## AIRCRAFT-LAUNCHED SMOKE AND FLAME MARKING DEVICES

**LEARNING OBJECTIVE:** *Describe the physical and functional aircraft-launched smoke and flame marking devices. Recognize the methods used to launch them.*

Smoke and flame marking devices are pyrotechnic devices dropped on the ground or on the water's surface to emit smoke and/or flame. Reference points established by these devices serve a variety of purposes. They can be used to determine wind direction and approximate velocity, mark the location on the surface for emergency night landings, establish an initial contact point for continued search for a submarine, or locate target areas in antisubmarine warfare.

## MK 25 MODS 2 AND 3 MARINE LOCATION MARKER

The Mk 25 Mods 2 and 3 (fig. 4-7) marine location markers are launched from aircraft or surface craft. They are launched from aircraft to provide day or night reference points for marking the course of enemy submarines in antisubmarine warfare operations. They are suitable for any type of sea-surface reference-point marking that calls for both smoke and flame for a period of 10 to 20 minutes. Mods 2 and 3 function identically. The only significant difference is that Mod 2 contains two seawater-activated batteries and two related squibs while Mod 3 contains a single battery and squib.

### Physical Description

The Mk 25 marker consists of a cylindrical outer tube about 18.5 inches long and 2.9 inches in diameter. A valve assembly is fitted into the projecting chimney at the marker's nose end. The smoke and flame are emitted from this opening. At the opposite end is a heavier aluminum base assembly to which the outer tube is crimped. The heavy base end causes the marker to float in the water with the chimney out of the water and the base in the water.

Within the base assembly is a Mk 72 Mod 0 seawater-activated battery (two batteries in the Mod 2). The battery is shielded from water contact by two plugs fitted into 1/2-inch holes on two opposite sides of the base assembly. A rigid cover (arming plate), held in place by a retainer ring, is recessed into the base end.

An arrow in the center of the arming plate indicates its safe or armed position. The words SAFE and ARMED are stamped into the base rim. Also, a machined notch in the rim at the armed position helps during night use. When the arming plate is in the safe position, it physically blocks the base plugs internally to prevent them from being accidentally pushed in. When in the armed position, the arming plate no longer blocks the base plugs, allowing them to be pushed in at the appropriate time. A black rubber G-ring circles the base assembly approximately 1/4 inch from the crimp, which holds the outer case.

### Functional Description

To activate the seawater battery, the base plugs are pushed in before the marker is actually launched. An electric squib ignites the marker, and the seawater-activated battery (two batteries and two squibs in Mod 2) supplies power. When the marker enters the water, seawater enters the battery cavity and serves as an electrolyte, causing the battery to produce a current that activates the squib. The squib ignites the starter mix, which, in turn, ignites the red phosphorous pyrotechnic composition. Gas buildup forces the valve assembly from the chimney in the nose, and yellow flame and white smoke are emitted. Burning time averages 13.5 to 18.5 minutes. Although this marker is normally used in seawater, it can be used in inland bodies of fresh water by using table salt and following the procedures outlined in *Pyrotechnic, Screening, Marking, and Countermeasure Devices*, NAVSEA SW050-AB-MMA-010/NAVAIR 11-15-7.

#### PHYSICAL CHARACTERISTICS:

WEIGHT:	3.7 LB.
LENGTH:	18.5 IN.
DIAMETER:	3 IN.

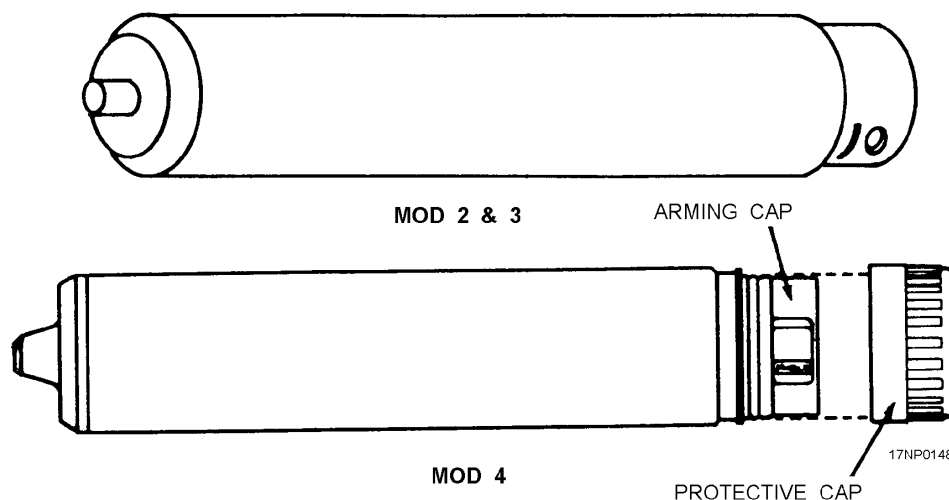


Figure 4-7.—Mk 25 marine location marker.

## REVIEW NUMBER 2 ANSWERS

- A1. *The LUU-2B/B aircraft parachute flare weighs about 30 pounds.*
- A2. *The components of the LUU-2B/B flare are the mechanical timer assembly, the out-of-line igniter, the parachute suspension system, and the case assembly with tamped candle.*
- A3. *The minimum drop distance setting of the LUU-2B/B flare is 250 feet.*
- A4. *The diameter of the parachute suspension system is 18 feet.*
- A5. *At launch, the timer knob is pulled off of the timer by approximately 30 pounds of force on the lanyard.*

### Launching Methods

Currently, there are two methods of launching the Mk 25 marker—by hand or by sonobuoy launcher. To launch by hand, rotate the base arming plate clockwise to the armed position. Push the base plugs into the

battery cavity, located in the marker base, and throw the marker into the water. It functions as previously discussed.

If the base plugs (one or both) of a marker are disturbed so the watertight integrity of the battery cavity is compromised and the marker is not launched immediately, a marine marker adapter kit (Mk 34 Mod 0) must be installed. The Mk 34 Mod 0 adapter kit is also used when the marker is launched from sonobuoy launchers. The adapter kit fits over the base end of the marker, and, when properly installed, seals the battery cavity. The adapter kit is installed by rotating the marker base arming plate to the armed position and pushing the base plugs into the battery cavity. Remove the black G-ring and install the adapter kit around the marker base so the seal plugs on the leaf-spring ends cover the holes into the battery cavity. Insert the U-pin to hold the adapter in place. To hand-launch a marker with a Mk 34 adapter kit installed, remove the U-pin and the adapter and throw the marker into the water.

Before launching the Mk 25 marker from sonobuoy launchers, you should install a Mk 34 adapter kit (fig. 4-8) on the marker. The adapter kit provides a safe

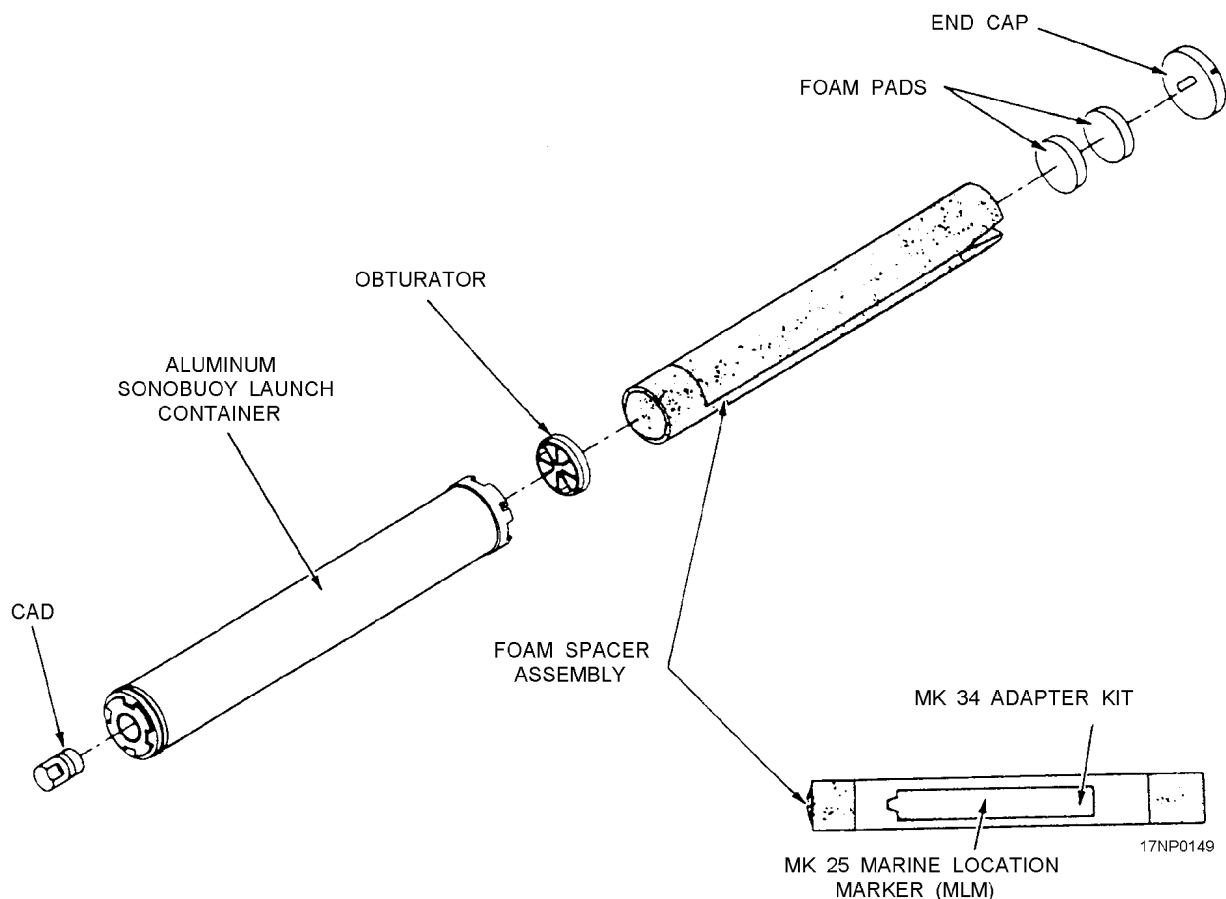


Figure 4-8.—Spacer assembly and sonobuoy launch container.

environment for the marker until the last possible moment before launch. Because of the physical difference in size between the Mk 25 marker and the sonobuoy launch tubes, a sonobuoy launch container (SLC) and spacer assembly (fig. 4-8) is used to launch the Mk 25 marker from a sonobuoy launcher.

The Mk 25 marker, with the Mk 34 adapter kit installed, is installed into the cavity half of the split foam spacer assembly section with the U-pin of the Mk 34 adapter in the UP position. Then, remove the U-pin and place the other half of the split foam spacer assembly section over the marker, which completely encloses the marker. The foam spacer assembly containing the marker is then installed into the SLC against the obturator. Foam pads are installed, and the end cap is locked into slots in the SLC, retaining the assembly inside the SLC. A JAU-1/B cartridge is installed in the SLC, and the loaded SLC is installed in the sonobuoy launcher aboard the aircraft.

To launch the Mk 25 marker, the JAU-1/B cartridge is initiated through the aircraft circuitry. It develops sufficient gas pressure inside the SLC to force off the

SLC end cap and expel the foam spacer assembly containing the Mk 25 marker. Once out of the SLC, the split foam spacer assembly is separated by the airstream, freeing the marker. The airstream then separates the Mk 34 adapter kit from the marker, allowing them to fall to the water as separate units. Upon entry into the water, the marker functions as previously discussed.

### MK 58 MOD 1 MARINE LOCATION MARKER

The Mk 58 Mod 1 marine location marker (fig. 4-9) is designed for day or night use in any condition calling for long-burning, smoke and flame reference-point marking on the ocean's surface. In addition to being used for antisubmarine warfare, it is used for search-and-rescue operations, man-overboard markings, and as a target for practice bombing at sea. The marker produces a yellow flame and white smoke for a minimum of 40 minutes and a maximum of 60 minutes. It is visible for at least 3 miles under normal operating conditions.

WEIGHT: 12.8 LB.  
 LENGTH: 21.5 IN.  
 DIAMETER: 4.9 IN.  
 SUSPENSION PROVISIONS: BANDS (BASB)

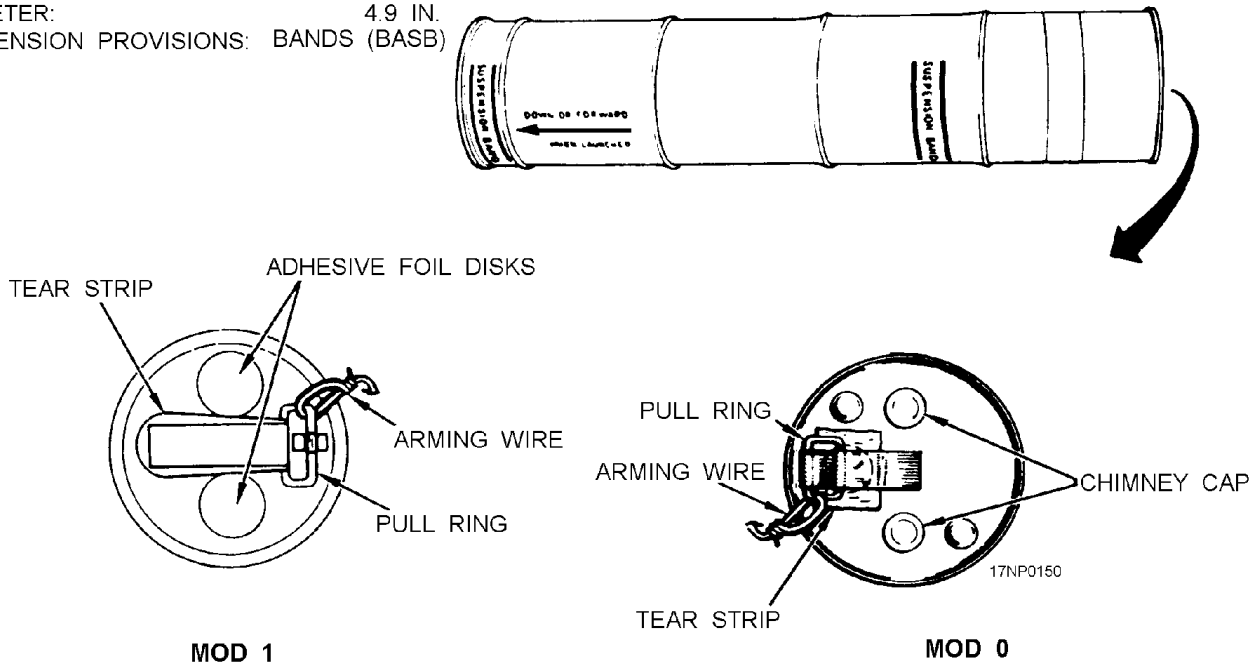


Figure 4-9.—Mk 58 Mod 0/1 marine location marker.

## Physical Description

The Mk 58 Mod 1 marine location marker consists of a cylindrical tin can approximately 21.78 inches long and 5.03 inches in diameter. The can contains two pyrotechnic candles of a red phosphorus composition. The ignition end of the marker has three holes—two for smoke and flame emission and one for water to enter the Mk 72 Mod 1 seawater-activated battery. Adhesive foil disks hermetically seal the two emission holes. A reinforced adhesive foil strip with a rectangular pull ring hermetically seals the battery cavity hole. The adhesive foil seals are protected during handling and shipping by a replaceable polyethylene protective cover.

## Launching Methods

The Mk 58 Mod 1 marker may be hand launched, externally launched from suitable aircraft bomb racks by using breakaway suspension bands, or launched from sonobuoy launchers by using a sonobuoy launcher container (SLC) and the appropriate foam spacer. No matter how the marker is launched, the protective cover, the pull ring, and reinforced adhesive foil strip over the battery's cavity is removed.

When launching the marker from a sonobuoy launcher, you remove the protective cover and pull ring and reinforced adhesive foil strip. Then, load the marker onto the bomb rack. After securing the marker to the bomb rack, attach the pull ring to an arming wire, which is attached to the bomb rack. When the marker is released from the bomb rack, the arming wire retains the pull ring and removes the foil strip covering the battery's cavity. When submerged, the Mk 72 Mod 1 battery is activated by seawater. Current from the battery initiates a Mk 13 electric squib, which ignites the starter composition of the first pyrotechnic candle. The composition ignites the starter pellet, which, in turn, ignites the first candle. When the first candle is nearly burned out, its heat ignites the transfer time fuze, which carries ignition to the second candle starter composition. This starter composition initiates the second pyrotechnic candle.

## REVIEW NUMBER 3

- Q1. What is the burn time of the Mk 25 Mods 2 and 3 marine location markers?*
- Q2. The Mk 25 Mods 2 and 3 marine location markers function in the same way. Describe the difference between them.*
- Q3. What is the purpose of the heavy aluminum base assembly crimped to the outer tube?*
- Q4. List the methods used to launch the Mk 25 and Mods marine location markers.*
- Q5. What adapter kit is used when the Mk 25 and Mods marine location markers are launched from sonobuoy launchers?*
- Q6. List the uses of the Mk 58 Mod 1 marine location marker.*
- Q7. The Mk 58 Mod 1 marker produces a yellow flame and white smoke for what length of time?*
- Q8. Under normal conditions, the flame and/or smoke of the Mk 58 Mod 1 marker is visible for \_\_\_\_\_.*
- Q9. List the methods used to launch the Mk 58 Mod 1 marine marker.*
- Q10. What seawater-activated battery is used with the Mk 58 Mod 1 marker?*

## DECOYING DEVICES

**LEARNING OBJECTIVE:** *Identify the purpose and use of decoy devices.*

Decoy flares are dispensed from launching mechanisms on aircraft. They are fired during evasion tactics when threatened by enemy heat-seeking missiles.

The Mk 46 Mod 1C decoy flare is loaded into and launched from the AN/ALE-29A, AN/ALE-37A, or AN/ALE-39 Dispensing Set for purposes as set forth in

Confidential NAVAIR 11-15-4. The decoy flare (fig. 4-10) consists of a cylindrical aluminum case about 5.8 inches long and 1.42 inches in diameter. The base end of the flare is flanged to a maximum diameter of 1.495 inches to fit the counterbore in the chamber of the dispenser. There are 30 such chambers in each AN/ALE-29A, 60 in each AN/ALE-39, and 240 in each AN/ALE-37A Dispenser. The end of the flare case opposite the flanged base is closed with an aluminum closure disk.

When properly installed in the chamber of a dispenser, the cartridge retainer fits snugly over and around the firing end of a corresponding Mk 131 or CCU-63/B impulse cartridge. When the cartridge is fired, gas pressure causes the hammer to move into the adapter, locking the adapter and the piston together. Gases from the fired cartridge expand to exert a pushing force against the piston. This removes the closure disk and ejects the flare grain. As the piston strikes the piston stop, the adapter to which the pull wire is firmly attached separates from the igniter cup. Then, the adapter travels with the flare grain. This action causes the igniter to move over the friction material on the crinkled end of the pull wire, igniting the ignition composition. Flame flashes through the longitudinal hole in the flare grain and ignites the first-fire composition in both the longitudinal hole and the

cross-hole. The first-fire composition ignites the flare grain on all surfaces.

The segmented adapter renders the flare safe during normal handling operations. If the closure disk is accidentally displaced the entire grain and the igniter assembly slips out of the flare case without igniting. The device arms only after an impulse cartridge is fired and bends the sharpened edges of the adapter so it is locked to the piston.

**REVIEW NUMBER 3 ANSWERS**

- A1. *The burn time of the Mk 25 Mods 2 and 3 marine location markers is between 10 and 20 minutes.*
- A2. *The Mk 25 Mods 2 and 3 marine location markers function in the same way. Mod 2 contains two saltwater-activated batteries and two related squibs. Mod 3 contains one battery and one squib.*
- A3. *The heavy aluminum base assembly crimped to the outer tube sits in the water and causes the candle to sit out of the water.*
- A4. *The Mk 25 and Mods marine location marker is launched by hand or by sonobuoy launcher.*

	CHAFF PACKAGE	MJU-8/B MJU-8A/B	MJU-22/B	SM-875/ALE
LENGTH:	5.8 IN.	5.8 IN.	10.55 IN.	3.828 IN.
DIAMETER:	1.4 IN.	1.4 IN.	1.4 IN.	1.4 IN.

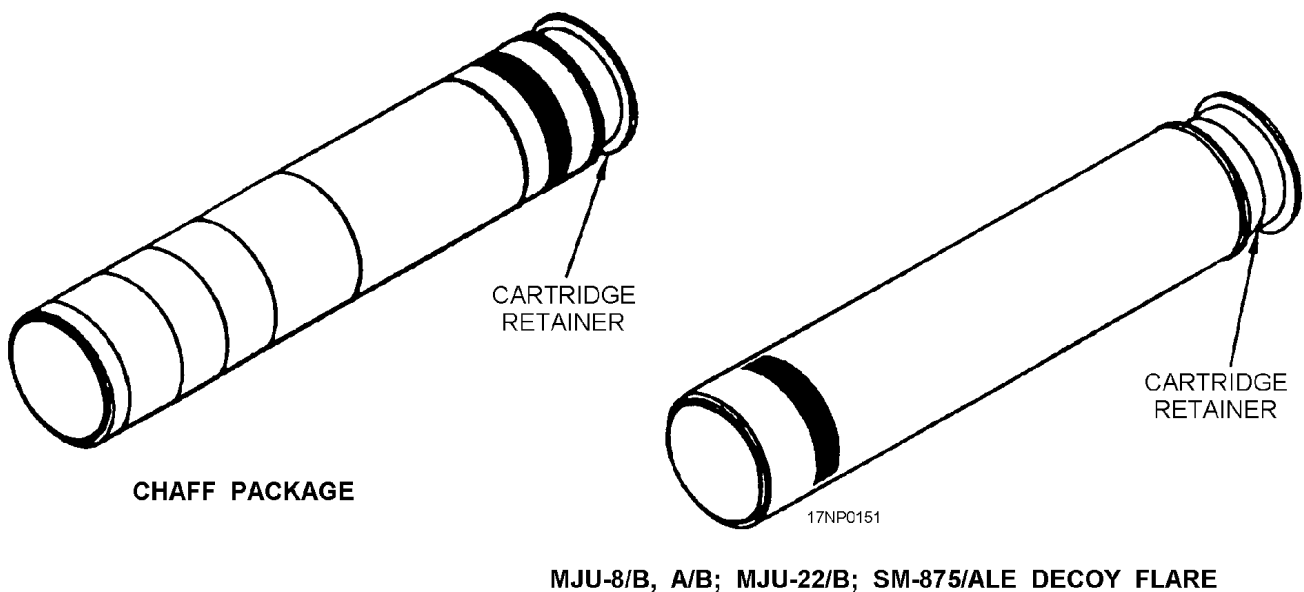


Figure 4-10.—Mk 46 Mod 1C, MJU-8/B, A/B, MJU-22/B, SM 875/ALE and chaff package.

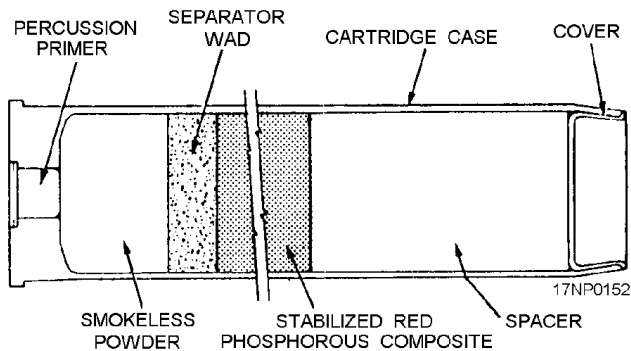
- A5. The Mk 34 adapter kit is used when the Mk 25 and Mods marine location marker is launched from sonobuoy launchers.
- A6. The Mk 58 Mod 1 marine location marker is used for antisubmarine warfare, search-and-rescue operations, man-overboard markings, and as a target for practice bombing at sea.
- A7. The Mk 58 Mod 1 marker produces a yellow flame and white smoke for 40 to 60 minutes.
- A8. Under normal conditions, the flame and/or smoke of the Mk 58 Mod 1 marker is visible for 3 miles.
- A9. The Mk 58 Mod 1 marine marker is hand launched, externally launched from aircraft bomb racks, or launched from sonobuoy launchers.
- A10. The Mk 72 Mod 1 seawater-activated battery is used with the Mk 58 Mod 1 marker.

**PRACTICE BOMB SIGNAL CARTRIDGES**

**LEARNING OBJECTIVE:** *Identify the purpose and use of practice bomb signal cartridges.*

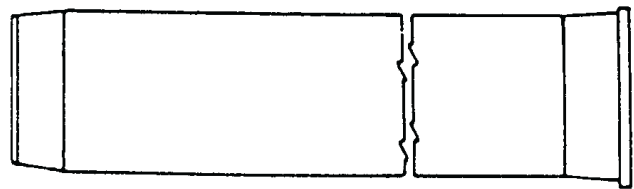
Practice bomb signal cartridges are used for day and night operations and as a visual indication of bomb impact and fuze function. Three types of signal cartridges are discussed in this section.

**Mk 4 Mod 3 signal cartridge.** The Mk 4 Mod 3 practice bomb signal cartridge (fig. 4-11) consists of an aluminum case. The rim end has a percussion primer, and the opposite end is sealed with an aluminum disk. The cartridge produces a flash of light and a white



**Figure 4-11.—Practice bomb signal cartridge.**

LENGTH:  
 MK 4 MOD 3: 5.00 In.  
 CXU-3A/B 6.00 In.  
 DIAMETER: 0.85 In.



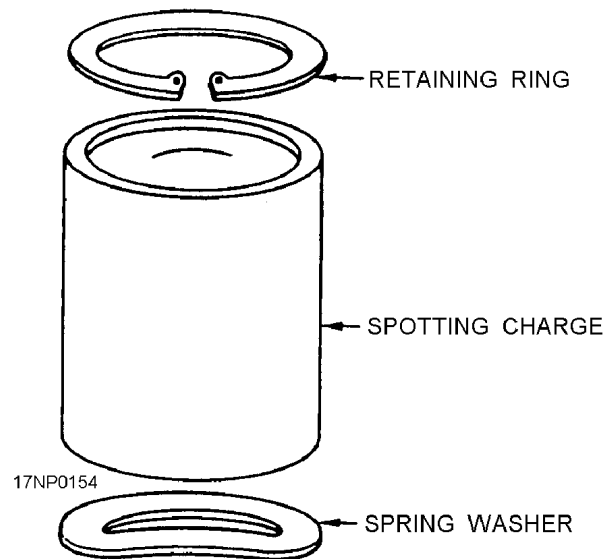
**Figure 4-12.—Mk 4 Mod 3, CXU-3A/B practice bomb signal cartridge.**

smoke puff. The Mk 4 Mod 3 is primarily used for night operations.

**CXU-3A/B signal cartridge.** The CXU-3A/B practice bomb signal cartridge (fig. 4-12) consists of a cylindrical aluminum case. The case is closed on one end with a percussion primer, and the opposite end is closed with a crimped-in-place aluminum cover (cap). The cartridge produces a dense, white smoke display for day missions.

**CXU-4/B spotting charge.** The CXU-4/B spotting charge (fig. 4-13) is a fire-free signal used with practice bomb BDU 45/B to provide a daytime visual indication of bomb impact point and fuze function.

LENGTH: 2.85 IN.  
 DIAMETER: 2 IN.



**Figure 4-13.—CXU-4/B spotting charge.**

## REVIEW NUMBER 4

- Q1. Describe the primary purpose of decoy flares.
- Q2. What means are used to launch the Mk 46 Mod 1C decoy flare?
- Q3. What cartridges are used to fire the decoy flares from chaff dispensers?
- Q4. What practice bomb signal cartridge is used primarily for night operations?
- Q5. What practice bomb signal produces white smoke for day missions?

## HANDLING AND SAFETY PRECAUTIONS

**LEARNING OBJECTIVE:** *Recognize the safety precautions to follow when working with pyrotechnics.*

Pyrotechnic ammunition is one of the most widely used types of ammunition in naval aviation. Pyrotechnics of one type or another are carried in almost every Navy aircraft, including unarmed transport and training aircraft.

All pyrotechnic and screening devices, while designed and tested to be safe under normal conditions, are subject to accidental ignition. A general rule for the handling of pyrotechnic devices is as follows:

### NOTE

**You should be constantly aware that pyrotechnics contain chemical components that are intended to burn with intense heat, and you should act accordingly.**

Pyrotechnic and screening devices are normally equipped with some type of safety pin, lock, or tape that is designed to prevent accidental activation of the initiation mechanism. Do **NOT** tamper with such equipment. Do **NOT** strike, bend, or otherwise remove the safety equipment until just before the device is launched. Any devices that show signs of damage to the safety features are considered unserviceable; carefully put them to one side and promptly dispose of them according to current directives.

If a pyrotechnic device should accidentally ignite, it will result in a fire hazard. In a confined area, the gases generated by this combustion could present a serious toxic hazard. Signaling charges that contain propellant charges, designed to propel the pyrotechnic

candle into the air, create an extremely dangerous missile hazard.

Pyrotechnic compositions characteristically contain their own oxidants; therefore, they do not depend on atmospheric oxygen for combustion. For this reason, exclusion of air, by whatever means, from a pyrotechnic fire is usually ineffective. Many pyrotechnic mixtures, particularly illuminating flare compositions, burn with intense heat (up to 4,500°F). Normally, extinguishers are not useful in this kind of fire. Carbon dioxide extinguishers, in addition to being ineffective, are potential sources of danger because they tend to produce oxygen, which supports the combustion. Foam-type extinguishers are equally ineffective because they work on the exclusion-of-air principle.

### NOTE

**Water, in flooding quantities and at low pressure, should be used to cool the surrounding area and to prevent the spread of the fire. Properly controlled and directed, water is the best fire-extinguishing agent for aircraft parachute flares burning in the open.**

Pyrotechnic hazards are frequently increased by such factors as age, improper storage conditions, rough handling, moisture penetration, excessive temperatures, damage to shipping containers, and other mishaps that causes the devices to become unserviceable. In most cases, immediate danger does not exist. Unserviceable pyrotechnic and screening devices on ships at sea are put to one side for normal return to an appropriate shore station for disposition according to the instructions and regulations contained in NAVSEA OP 5, volume 1.

Conditions may develop that demand emergency disposal of potentially hazardous devices. In such cases, disposition is the responsibility of the commanding officer. Under **NO** circumstances, other than an extreme emergency, should ammunition, explosives, or other related hazardous materials be dumped at sea by a Navy vessel, aircraft, or activity without prior approval of the CNO. If, in the commanding officer's best judgement, immediate disposition is necessary to protect lives and property, the commanding officer should order such disposition by the most appropriate means available. In all cases, the commanding officer must notify Naval Sea Systems



Command, at the earliest practical time, of the facts and circumstances.

#### **REVIEW NUMBER 5**

- Q1. *Pyrotechnics are dangerous to handle because they are composed of \_\_\_\_\_.*
- Q2. *Combustion requires oxygen. By what method is oxygen supplied to pyrotechnic devices?*
- Q3. *What means should you use if there is a fire involving parachute flares?*

#### **REVIEW NUMBER 4 ANSWERS**

- A1. *The purpose of decoy flares is to provide evasion tactics for naval aircraft when enemy heat-seeking missiles threaten them.*
- A2. *The Mk 46 decoy flare is launched from the AN/ALE-29A, AN/ALE-37A or AN/ALE-39 Dispensing Set.*

- A3. *The Mk 131 or CCU-63/B impulse cartridges are used to fire decoy flares from chaff dispensers.*
- A4. *The Mk 4 Mod 3 signal cartridge is used primarily for practice bomb night operations.*
- A5. *The CXU-3A/B signal cartridge is used for practice bomb day missions.*

#### **REVIEW NUMBER 5 ANSWERS**

- A1. *Pyrotechnics are dangerous to handle because they are composed of chemicals that are intended to burn with intense heat.*
- A2. *Combustion requires oxygen. Generally, pyrotechnic devices contain their own oxygen supply; they don't depend on the atmosphere for it.*
- A3. *If there is a fire involving parachute flares, water, in flooding quantities and at low pressure should be used.*



## CHAPTER 5

# AIR-LAID MINES AND TORPEDOES

Since World War II, the U.S. Navy has developed sophisticated air-launched torpedoes and air-laid mines. These weapons incorporate components so sensitive that their operation is classified information. Therefore, the information in this TRAMAN on air-launched torpedoes and air-laid mines is limited. You will be referred to publications containing detailed information for the weapons discussed throughout the chapter.

### MK 46 AND MK 50 TORPEDOES

**LEARNING OBJECTIVE:** *Identify the purpose and use of the Mk 46 and Mk 50*

*torpedoes. Recognize the torpedo configurations to include warshot and exercise and aircraft-launched torpedoes. Identify Otto Fuel II.*

The Mk 46 and Mods torpedo (fig. 5-1) is the primary weapon used in antisubmarine warfare (ASW).

### MK 46 TORPEDO CONFIGURATIONS

The Mk 46 Mods torpedo can be assembled into one warshot (tactical) and three REXTORP

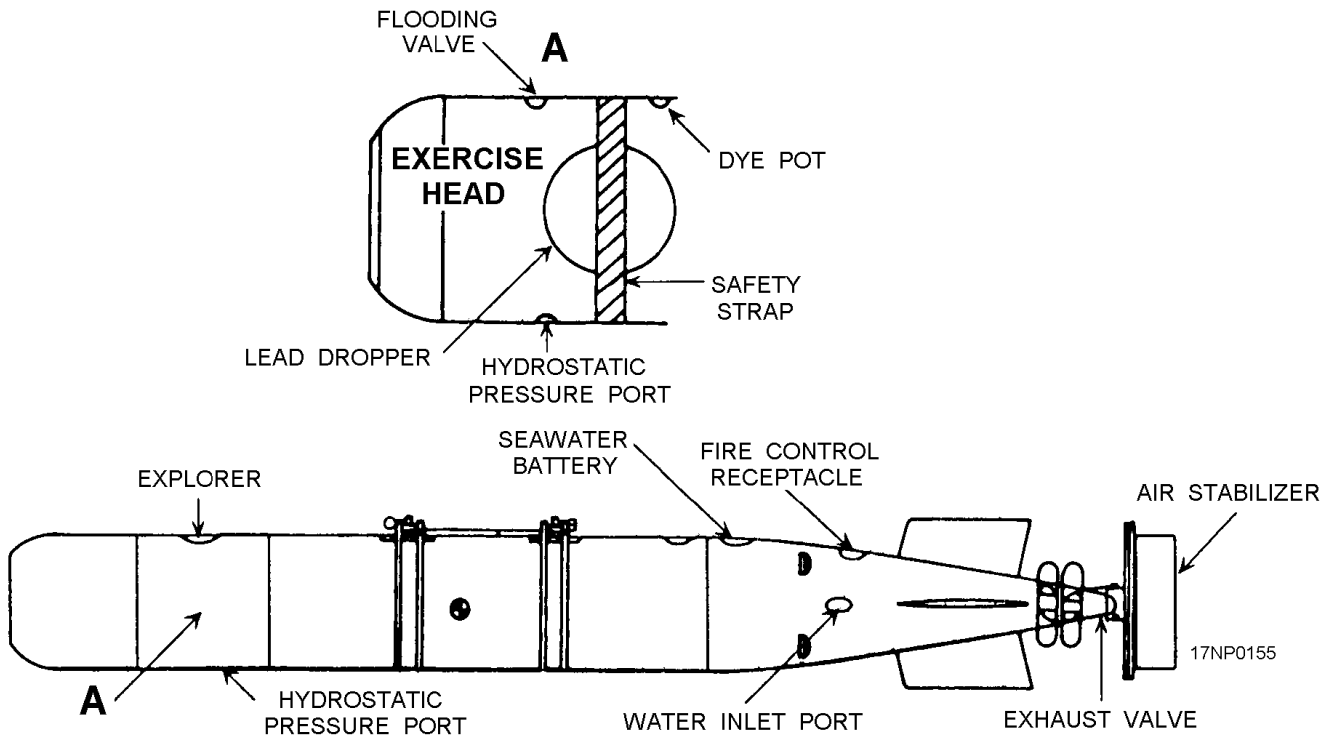


Figure 5-1.—Mk 46 torpedo.

(recoverable exercise torpedo) configurations (fig. 5-2).

### Mk 46 Warshot Configuration

The warshot configuration of the Mk 46 and Mods torpedo consists of a nose section, warhead, control group, long fuel tank, and after body. A tactical warhead (contains explosives) is used in the warshot configuration.

### Mk 46 Exercise Configuration

There are three versions of exercise torpedoes available for aircraft launching: (1) a torpedo with a short exercise head, extender section, and a short fuel tank; (2) a torpedo with a long exercise head and a short fuel tank; or (3) a torpedo with a long exercise head, instrumentation for tracking on 3D ranges, and a short fuel tank. All three configurations use Mk 85 and Mods exercise heads.

For detailed information concerning the component configuration of the Mk 46 and Mods torpedo, you should refer to *Mk 46 Torpedo/Mk 46 REXTORP Flight Accessories (Description, Operation, Installation, Removal, and Trajectory Data)*, NAVSEA SW512-AO-ASY-010.

### Mk 50 Torpedo

The Mk 50 (fig. 5-3) is a lightweight, high-speed, antisubmarine torpedo that is compatible with all

airborne ASW platforms. It has improved design features to ensure greater reliability and increased capabilities over previous torpedoes. The three major sections of the torpedo are nose, head, and after body. The nose contains the transmitter and receiver. The after body provides propulsion and control. The exercise head provides buoyancy for the torpedo. The warshot head contains an explosive charge. An orange nose and after body identify the exercise torpedo with a 6-inch blue strip around the circumference of the ballast assembly. For further information on the torpedoes, you should refer to *United States Ammunition Historical and Functional Data*, NAVSEA SW010-AB-GTP-010.

### AIRCRAFT-LAUNCHED TORPEDO CONFIGURATIONS

To air-launch torpedoes, you will use launch accessory equipment. This equipment includes suspension bands to attach the torpedo to the aircraft and torpedo air stabilizers to ensure a predictable air trajectory and water entry. Torpedoes are configured and issued to the fleet depending on tactical or training requirements. As an Aviation Ordnanceman (AO), you are **not** responsible for the assembly of the torpedo at the organizational level. However, you **are** responsible for the installation of launch accessory equipment.

The physical characteristics, such as weight, length, etc., of the Mk 46 torpedo vary. These characteristics depend on the configuration of the

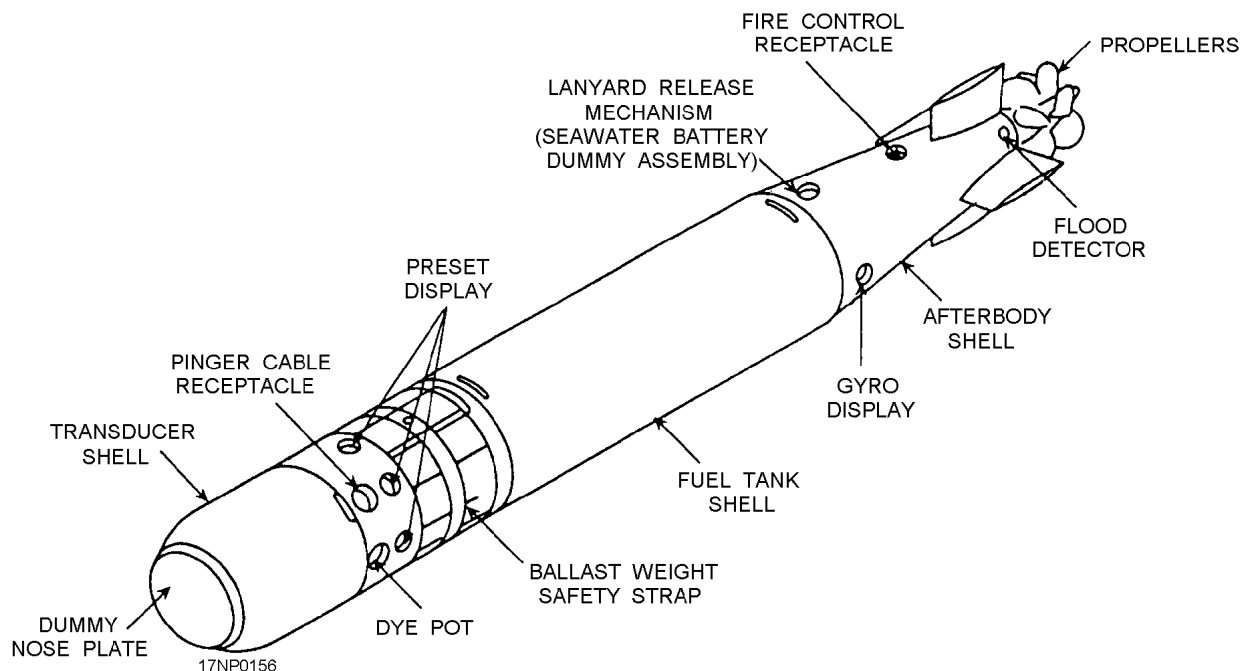


Figure 5-2.—Mk 46 recoverable exercise torpedo (REXTORP).

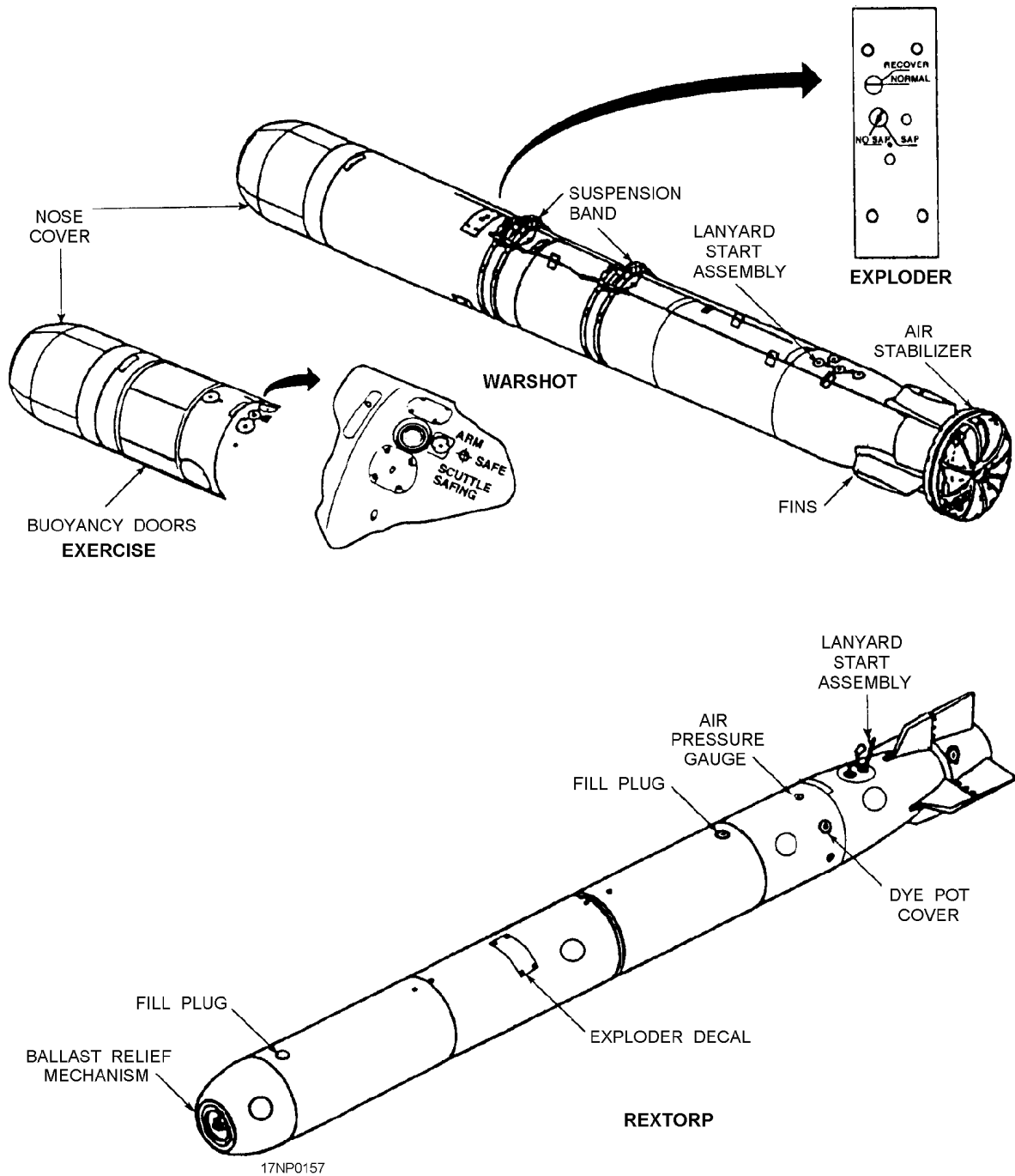


Figure 5-3.—Mk 50 torpedo configurations.

torpedo itself (warshot or exercise) and the configuration of the attached launch accessories. The Mk 46 torpedo is configured with aircraft-launch accessories for either helicopter or fixed-wing aircraft launching.

The basic items of accessory equipment used in launching torpedoes from fixed-wing aircraft and helicopters are the torpedo air stabilizer and suspension band assembly. The torpedo air stabilizer ensures a

predictable air trajectory and water entry without torpedo structural damage. The air stabilizer reduces the descent speed of the torpedo relative to the speed of the launching aircraft. A static line or release lanyard deploys the parachute when the torpedo is dropped from the aircraft. The deployed parachute stabilizes the torpedo during descent to the water, slows the descent speed to an acceptable velocity for water entry, and assures the proper water entry angle. The Mk 28 Mod 2

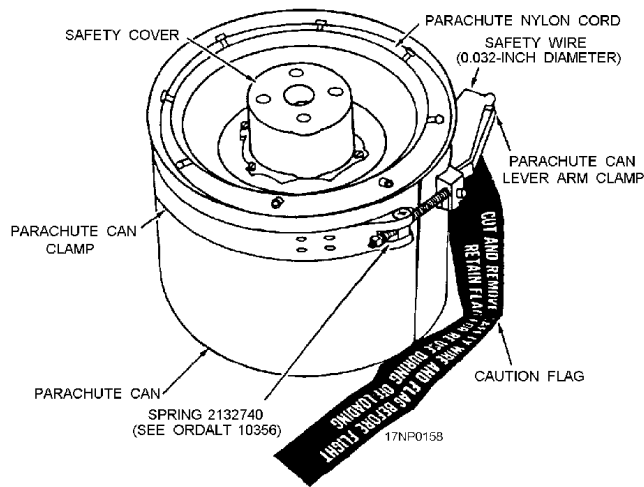


Figure 5-4.—Mk 28 Mod 2 torpedo air stabilizer.

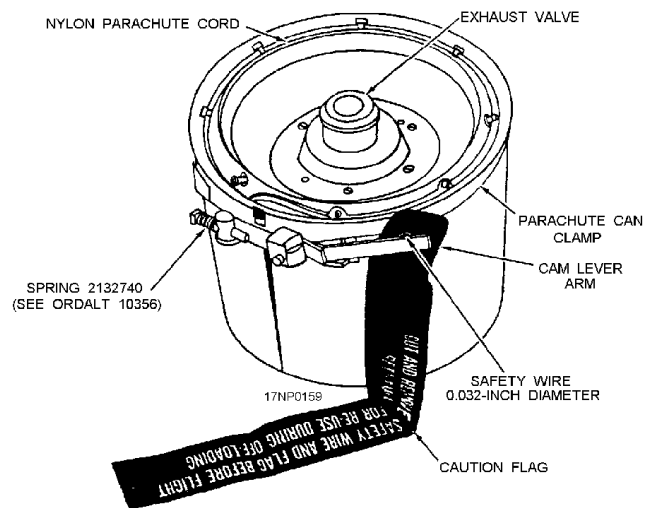


Figure 5-5.—Mk 28 Mod 3 torpedo air stabilizer.

(fig. 5-4) or the Mk 28 Mod 3 (fig. 5-5) air stabilizers are used on torpedoes configured for fixed-wing aircraft. The Mk 31 Mod 0 (fig. 5-6) or the Mk 31 Mod 1 (fig. 5-7) air stabilizers are used on torpedoes configured for helicopters.

Mk 78 Mod 0 or Mod 1 suspension bands (fig. 5-8) are used in pairs to suspend the torpedo from the bomb racks or shackles of the launching aircraft. The bands wrap around the torpedo and are secured by tension

bolts. After the bands are installed, the torpedo is loaded aboard by engaging the suspension band lugs in the bomb racks or on the bomb shackles of the aircraft. The torpedo is loaded internally for fixed-wing aircraft launch and externally for helicopter launch. When the bomb rack/shackle hooks are released, the torpedo drops. Release wires unlatch the suspension bands, allowing them to break away from the torpedo as it is launched from the aircraft.

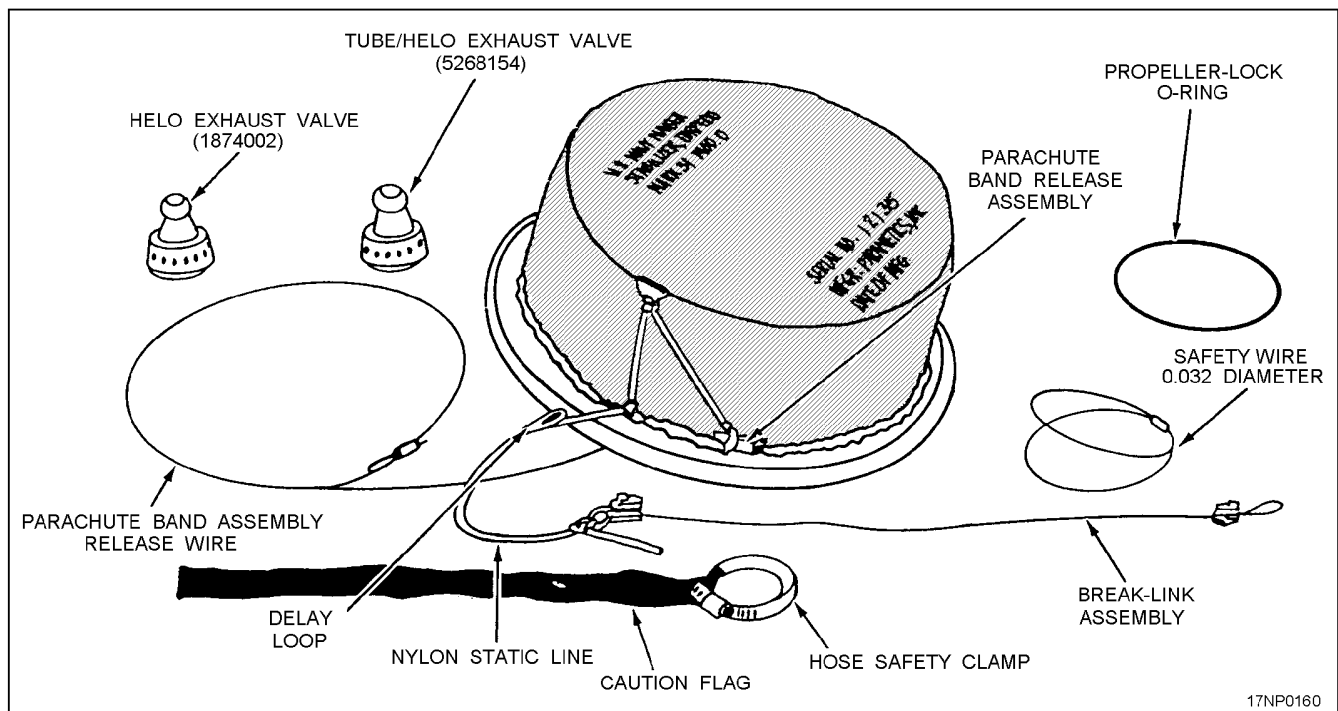


Figure 5-6.—Mk 31 Mod 0 torpedo air stabilizer.

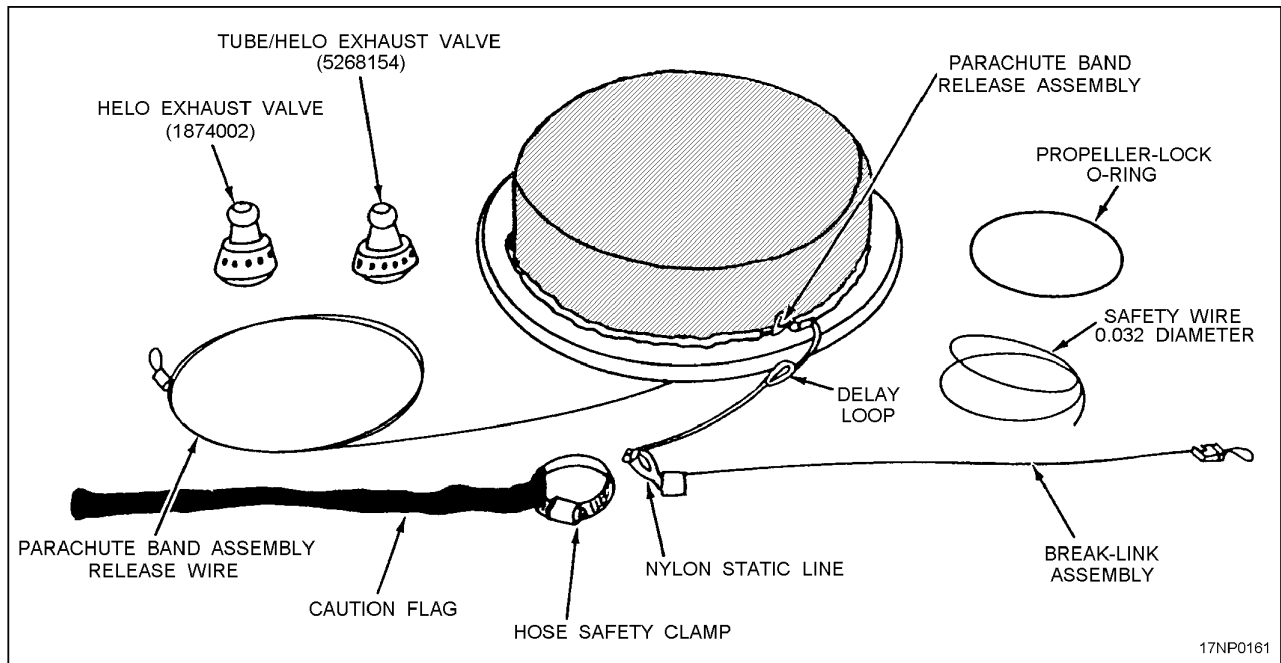


Figure 5-7.—Mk 31 Mod 1 torpedo air stabilizer.

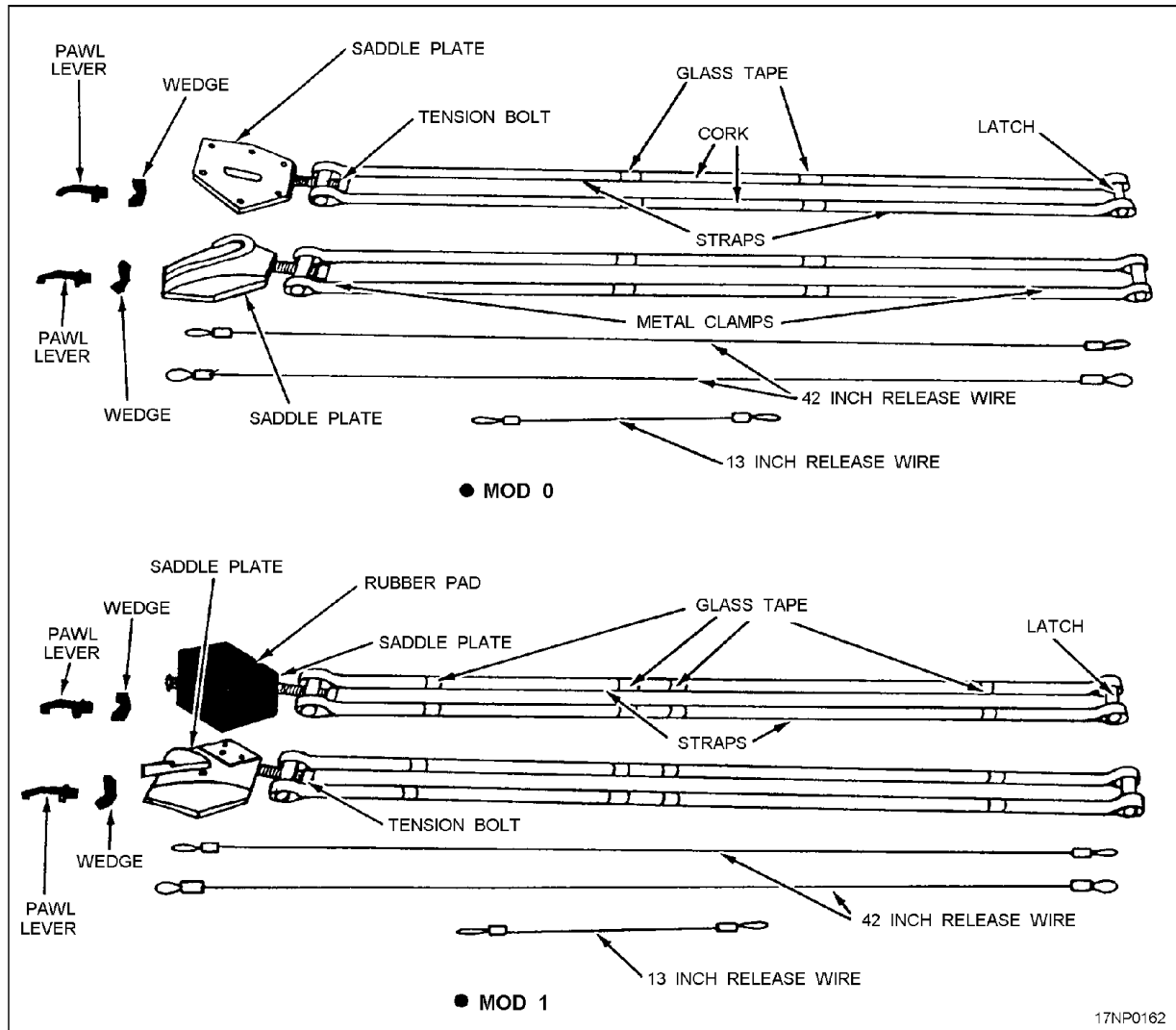


Figure 5-8.—Mk 78 Mod 0 and Mod 1 suspension band assemblies.

For detailed information concerning aircraft launch accessories, you should refer to the *U.S. Navy Aircraft Torpedoes Accessories and Trajectory Data and Quality Assurance Test and Inspection Plan for Installation of Torpedo Mk 46 Launch Accessories*, NAVSEA SW512-AO-ASY-010.

## OTTO FUEL II

Otto Fuel II is the propellant for the propulsion system of the Mk 46 (all Mods) torpedo. Otto Fuel II is first sprayed under pressure into a combustion chamber where it is ignited. The exhaust gases from the burning fuel are used to drive the torpedo engine. The major advantage of this system is the short turnaround time required for exercise weapons.

Otto Fuel II is a stable, liquid monopropellant composed of a nitrate ester in solution with a desensitizing agent and a stabilizer. It is a bright red, free-flowing, oily liquid that is heavier than water. (**NOTE:** When in a thin layer, such as a spill, stain, or leak, Otto Fuel II is a yellow-orange color.) Otto Fuel II is noncorrosive. It has an extremely low vapor pressure, minimizing explosive and toxic hazards. Otto Fuel II can detonate, but the conditions and stimulus required are so extreme that it is considered a nonexplosive. The propellant has a high flash point and other safety characteristics. It is classified as a low fire hazard material.

The ingredient of medical concern in Otto Fuel II is the nitrated ester. Nitrated esters are known for their acute effects on the human body. Symptoms of exposure to Otto Fuel II include the following:

- Headache
- Dizziness
- Drop in blood pressure
- Nasal congestion

**NOTE:** Depending upon the sensitivity of the individual, a temporary symptom-free tolerance may develop during the remainder of the working period. After exposure to a vapor-free environment, the first contact with Otto Fuel II vapors often causes these symptoms to recur.

A stowage space is specifically designated for each type of torpedo stowed aboard a combat ship. When handling Otto Fuel II, at least two crewmembers should handle the fuel. All personnel must know the general characteristics of Otto Fuel II, the safety precautions for

handling the fuel, and protective equipment required. To avoid hazardous situations when handling Otto Fuel II, personnel should be well trained and supervised. For further information concerning Otto Fuel II, you should refer to *Otto Fuel II Safety, Storage, and Handling Instructions*, NAVSEA S6340-AA-MMA-010.

## REVIEW NUMBER 1

- Q1. *What is the primary weapon used for antisubmarine warfare?*
- Q2. *List the Mk 46 configurations.*
- Q3. *When the Mk 46 is used in the exercise configuration, what exercise head is used?*
- Q4. *After launch, what equipment stabilizes the torpedo during its descent into the water?*
- Q5. *List the air stabilizers used for (a) fixed-wing and (b) rotary-wing aircraft.*
- Q6. *Torpedoes are suspended from bomb racks or shackles by Mk 78 Mod 0 or Mod 1 suspension bands. How do the suspension bands release when the torpedo is launched?*
- Q7. *What propellant is used in the propulsion system of the Mk 46 torpedo?*
- Q8. *Because Otto Fuel II has a high flash point, low vapor pressure, and is noncorrosive, it is classified as \_\_\_\_\_.*
- Q9. *List the symptoms you might exhibit if you were exposed to Otto Fuel II.*
- Q10. *For safety reasons, how many crewmembers should be present when handling Otto Fuel II?*

## AIRCRAFT-LAID MINES

**LEARNING OBJECTIVE:** *Identify aircraft-laid mines and recognize their classifications. Describe aircraft-laid mine components and identify operational aircraft mines.*

Naval mines are used in offensive or defensive mining operations. The primary objective is to effectively defend or control vital straits, port approaches, convoy anchorage's, and seaward coastal barriers.

Aircraft mine delivery is the principal method of making large-scale mining attacks on enemy coastal and port areas. Aircraft-laid mines are usually carried and dropped in the same way as bombs, but they have



different ballistic flight paths. Air-laid mines usually require parachutes that are released from the mine on water entry.

## CLASSIFICATIONS

Mines are classified by intended use, method of delivery, position assumed when laid method of actuation, or weight. Mines classified by their intended use are further classified as service, exercise (recoverable), and training mines. Service mines are fully explosive-loaded mines assembled with service components for use in wartime. Exercise (recoverable) and training mines are inert loaded to service weight. They have many uses, such as assembly and laying in fleet exercises. After exercise completion, they are recovered, analyzed, and overhauled for reuse. When assembled, exercise and/or training mines may contain minor explosive components.

Mines classified by method of delivery are submarine-laid, surface-laid, or air-laid. The classification depends on the laying vehicle.

Mines classified by the position they take in the water after being laid are moored or bottom mines. Bottom mines rest on the bottom of the sea. Their effective depth is controlled by the amount of charge they contain relative to the depth of the area in which they are planted. Their design includes sufficient negative buoyancy to provide good stability on the bottom of the sea.

Moored mines are buoyant mines. They are connected by cable to an anchor resting on the bottom (fig. 5-9). There are two important considerations in laying moored mines—stability and moored depth. An anchor achieves mine stability with sufficient negative buoyancy to retain the mine in its position (without moving) on the bottom of the sea.

Mines are classified by the methods used to activate them. Methods of activation are contact and influence, or a combination of both methods. Influence-actuated mines are the only mines used tactically in an air-laid operation. Influence-actuated mines are further classified as magnetic, acoustic, or pressure mines. These classifications are generally combined to

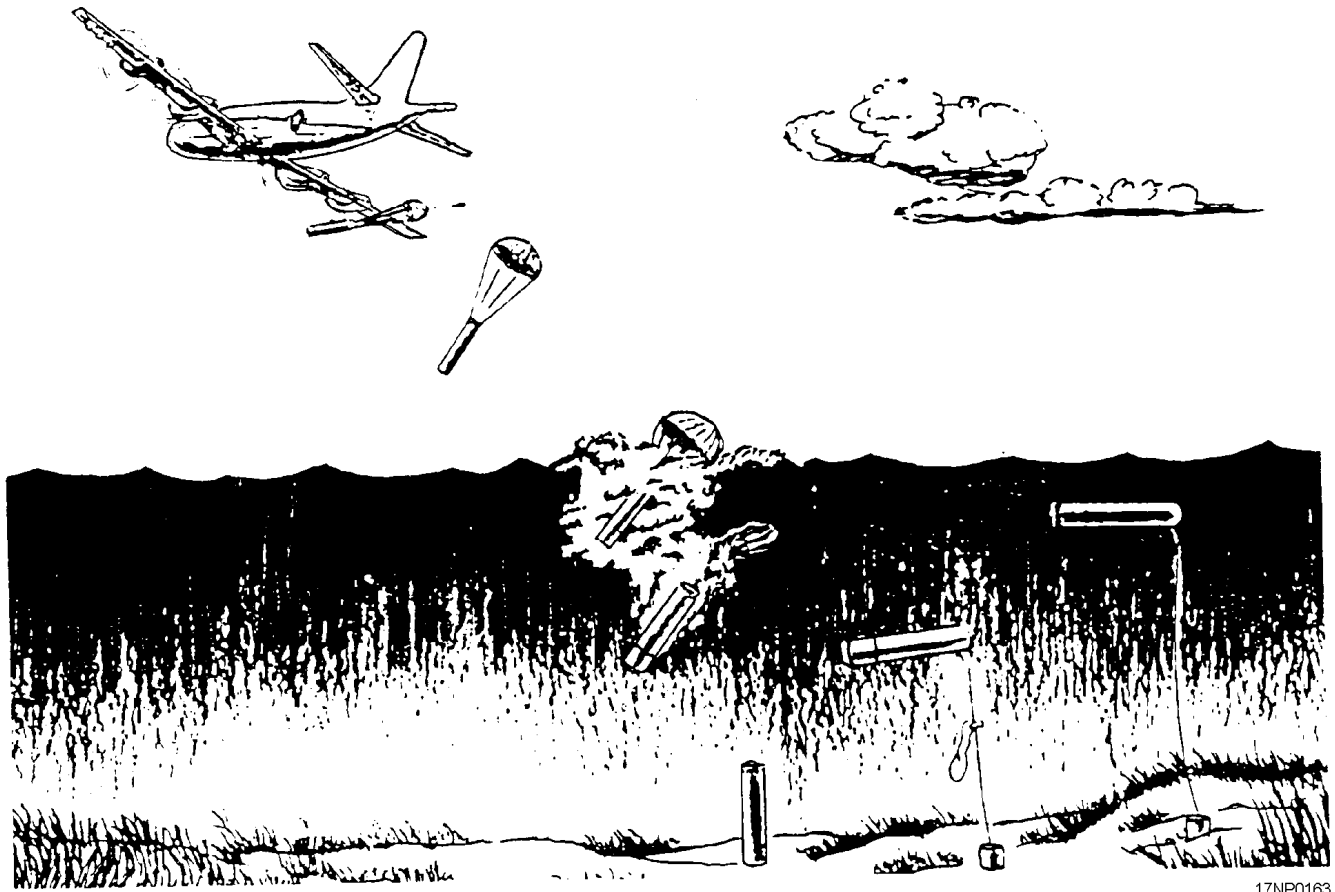


Figure 5-9.—Aerial mine delivery sequence of moored mines.

describe a given mine; for example, an air-laid, pressure-fired, bottom mine or an air-laid, magnetic-fired, moored mine. Table 5-1 provides a list of the air-laid mines currently in use.

**REVIEW NUMBER 2**

- Q1. Mines classified by their intended use are classified as \_\_\_\_\_.
- Q2. What mines are fully loaded with explosives and designated for use in wartime?
- Q3. What mines is classified by the position they take in the water after being laid?
- Q4. The effective depth of a bottom mine is controlled by \_\_\_\_\_.
- Q5. Moored mines are stabilized by what means?
- Q6. List the classifications of influence-actuated mines.

**MINE COMPONENTS**

The components used in a mine vary, depending on the type of mine and its specific use. In addition to the mine case and explosive system, mine components provide mine arming, target sensing, actuation, laying control, countermeasure resistance, firing power, and sterilization. Exercise components are used in exercise (recoverable) mines.

**REVIEW NUMBER 1 ANSWERS**

- A1. *The Mk 46 torpedo is the primary weapon used for antisubmarine warfare.*
- A2. *The Mk 46 configurations include warshot and exercise.*
- A3. *When the Mk 46 is used in the exercise configuration, the Mk 85 and Mods exercise head is used.*
- A4. *After launch, the air stabilizer stabilizes the torpedo during its descent into the water.*
- A5. *Fixed-wing aircraft use Mk 28 Mod 2 or Mod 3 air stabilizers, and rotary-wing aircraft use Mk 31 Mod 1 air stabilizers.*
- A6. *Torpedoes are suspended from bomb racks or shackles by Mk 78 Mod 0 or Mod 1 suspension bands. As torpedoes are launched from the aircraft, release wires unlatch the suspension bands, letting them break away from the aircraft.*
- A7. *Otto Fuel II is the propellant used in the propulsion system of the Mk 46 torpedo.*
- A8. *Because Otto Fuel II has a high flash point, low vapor pressure, and is noncorrosive, it is classified as a low fire hazard material.*
- A9. *If you were exposed to Otto Fuel II, you might exhibit the following symptoms: headache, dizziness, blood pressure drop, and/or nasal congestion.*

**Table 5-1.—Air-laid Mines Currently in Use**

MINE DESIGNATION	WEIGHT CLASS	TYPES OF ACTUATION	POSITION IN WATER	RETARDED
Mk 55	1000 lb	Influence	Bottom	Parachute
Mk 62	500 lb	Influence	Bottom	Fin
Mk 63	1000 lb	Influence	Bottom	Parachute
Mk 64	2000 lb	Influence	Bottom	Parachute
Mk 65	2000 lb	Influence	Bottom	Parachute

A10. For safety reasons, at least two crewmembers should be present when handling Otto Fuel II.

## Mine Case

The mine case is the main element of the mine. It contains or carries all other components. The mine case is normally made of sheet steel, but aluminum, spun glass, or various plastics are used in some types of mine cases. The case is watertight and strong to resist water pressure. Mine case openings are carefully sealed with suitable gaskets.

## Explosive Components

The explosive system of a mine includes the main charge, the booster, the initiating system, and auxiliary explosive devices.

**MAIN CHARGE.**—The main charge is the mine's payload. It is a high explosive cast directly into the mine case, or into an explosive section attached to the mine case when the mine is assembled. The amount of explosives used in air-laid mines ranges from 160 pounds to 1,300 pounds. Types of explosives used include Comp B, TNT, H6, or HBX mixtures. The HBX mixtures are commonly used explosives.

**BOOSTER.**—The booster varies from a few ounces to several pounds of explosive. Generally, the

smaller boosters contain tetryl, and the larger boosters contain granular grade A TNT. The intermediate size booster contains Comp B. In some cases, the booster consists of a subbooster. The booster is housed in a brass, terneplate, plastic, or fiber container. When assembled in the mine case, the booster is in intimate contact with the main charge explosive.

**INITIATING SYSTEM.**—An electric primer in an explosive fitting is used to set off a flash detonator. This initiates the leads to the booster or subbooster, causing the mine to detonate. Explosive fittings may contain a primer or a detonator, depending on their design function.

**AUXILIARY EXPLOSIVE DEVICES.**—Auxiliary devices are usually small explosives that blow or open a hole in the mine case to sink it. A small explosive device, such as the explosive driver, is used during the mine planting or operating sequence. For example, it is used to close or open electrical switches, unlock mechanical linkages, open gas bottles, and jam cables from further pay out. Other types of auxiliary explosive devices are used to cut cables and to release pyrotechnic signals from exercise and training mines.

## Arming Components

An arming device (fig. 5-10) is a combination of a hydrostatic switch piston and an explosive aligning

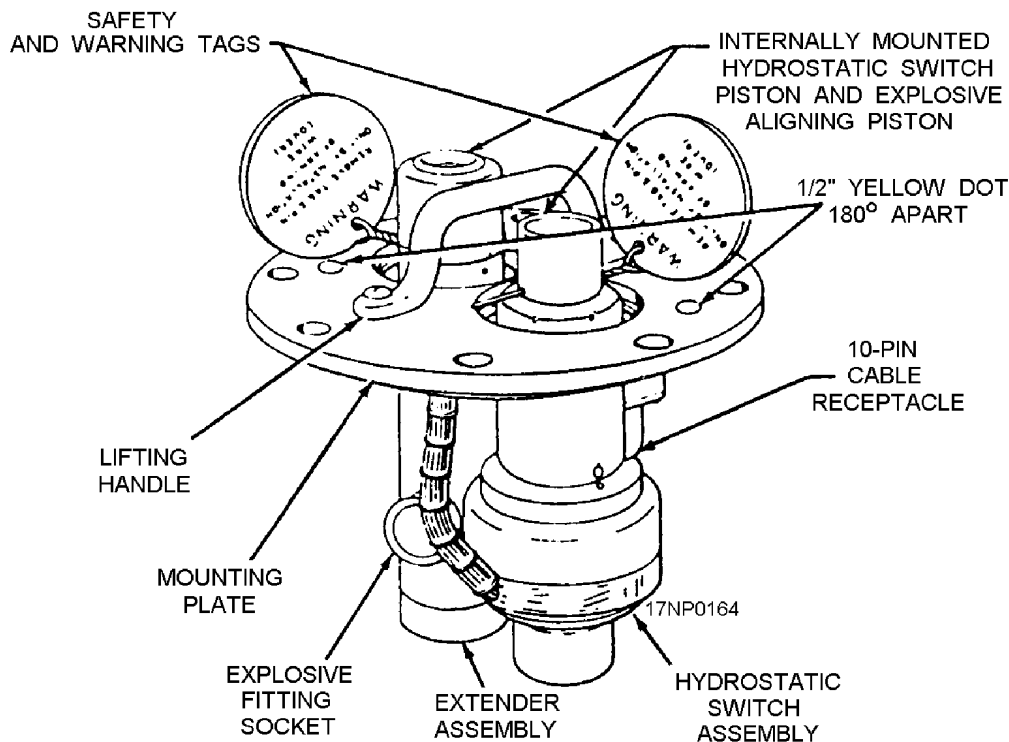


Figure 5-10.—Arming device.

piston. They are internally mounted in a single assembly. The hydrostatic piston acts to open and close electrical switches. The explosive piston aligns the explosive train when the hydrostatic piston and the explosive piston are forced in by water pressure after the mine is laid. These pistons are held in the retracted or safe position by safety pins during ground handling. The safety pins are replaced by arming wire assemblies after the mines are loaded aboard the aircraft.

After planting, a clock-delay mechanism prevents firing until the mine has been submerged for a predetermined period of time. A switch in the detonator circuit of the mine controls the firing mechanism. This switch remains open until the clock-delay device has run its predetermined time. This time could vary from 8 minutes to 10 days, depending upon the type of clock installed. Sometimes another clock is also used to sterilize the mine after a preselected period of armed life.

### Firing Components

Firing components include elements that detect the target, analyze target information, and act to fire the mine. In simple systems, a single device does these functions. However, in most systems, these functions are performed by two or more components.

The types of firing mechanisms used in mines vary widely in appearance and configuration. In older mines, the firing mechanism might be a circuit arrangement. In newer mines, the firing mechanism might be a color-coded rectangular box.

Since influence-actuated mechanisms are the only type of firing mechanisms currently used in aircraft mines, they are discussed in the following paragraphs. Influence-actuated firing mechanisms may be subdivided into three general categories—acoustic, pressure, and magnetic.

**ACOUSTIC.**—An acoustic mine is fired by the initiation of an enclosed microphone. The microphone picks up the sound waves generated by a nearby ship's rotating screws or other operating machinery. These mines are equipped with an anticountermining device that prevents detonation of the mine from explosions set off during minesweeping operations.

**PRESSURE.**—The pressure mine firing mechanism is actuated by a decrease in water pressure immediately surrounding the mine. Normally, this occurs only when a large ship passes over it. The pressure mine firing mechanism is used in conjunction

with a magnetic-influence mechanism. The combination of these two mechanisms makes effective minesweeping operations nearly impossible.

**MAGNETIC TYPE.**—Magnetic mines are induction mines actuated by changes in the earth's magnetic field. Their actuation depends primarily on the rate at which the field changes rather than the amount of change. A change in the magnetic field induces an electromagnetic field in the winding of a coil. This electromagnetic field and the resulting current are proportional to the rate of change of the magnetic field. When the magnetic field increases to a predetermined level, a relay actuates and closes the firing circuit.

### REVIEW NUMBER 2 ANSWERS

- A1. *Mines classified by their intended use are classified as service, exercise (recoverable), and training mines.*
- A2. *Service mines are fully loaded with explosives and designated for use in wartime.*
- A3. *Moored or bottom mines are classified by the position they take in the water after being laid.*
- A4. *The effective depth of a bottom mine is controlled by the amount of charge contained in the mine relative to the depth to which the mine is planted.*
- A5. *A cable connected to an anchor resting on the ocean floor stabilizes moored mines.*
- A6. *Influence-actuated mines are classified as magnetic, acoustic, and pressure.*

### Parachute Packs

Some mines laid from aircraft use parachutes to prevent them from building up too much speed before entering the water. The parachute reduces the impact velocity and protects the mine components from damage. The use of parachute packs permits the mines to be released from an aircraft at high altitudes, which may be required when ports or sea passages are heavily armed.

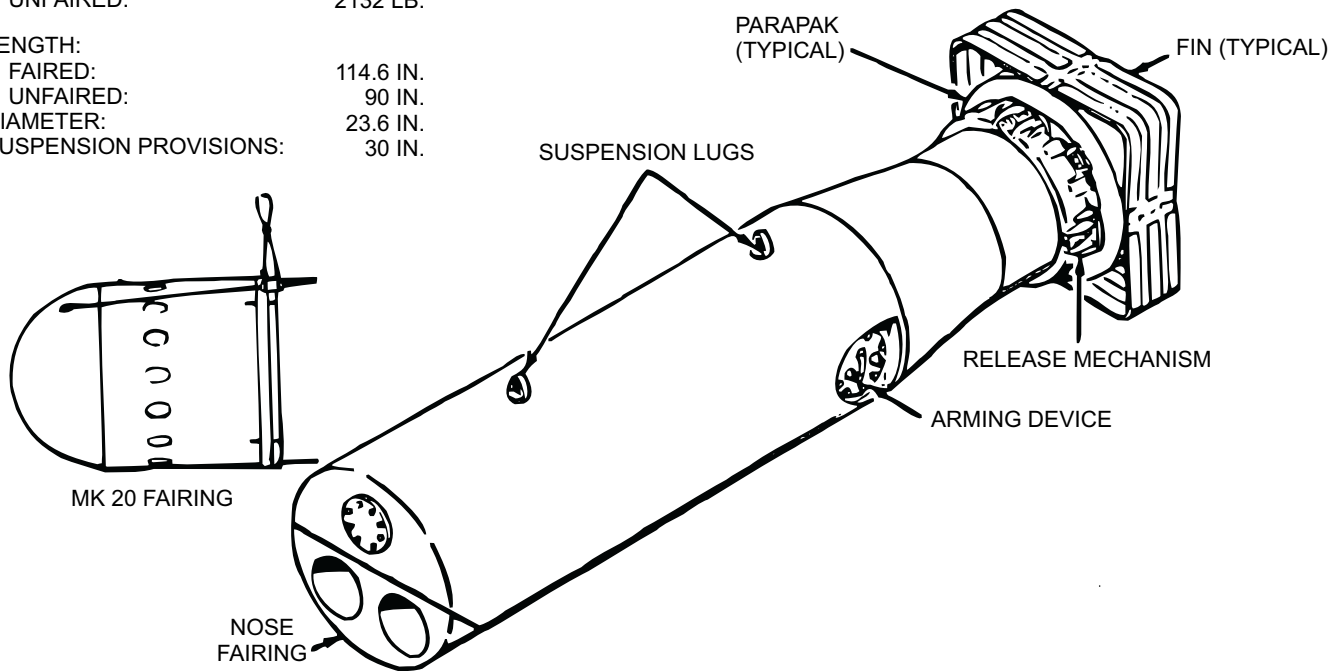
The parachute pack currently used is the delayed-opening type. In this type of parachute pack, a control mechanism is used to open the parachute at some point in the air trajectory of the mine. A typical delayed-opening parachute pack contains a drogue-type parachute, release gear, and a control device. The

parachute release gear consists of a metal ring that attaches the parachute to the mine during air travel. It is released from the mine upon water impact by inertia weights, wipe-off plates, or hydrostatic mechanisms. The control device opens the parachute during the mine's descent. An adjustable fixed-delay device usually controls it. Since firing an explosive fitting deploys the parachute, parachute pack control devices contain explosive components.

### REVIEW NUMBER 3

- Q1. *What element of a mine carries all other components?*
- Q2. *List the explosive components of a mine.*
- Q3. *What amount of explosives is used in air-laid mines?*
- Q4. *After a mine is planted, what device prevents the mine from firing until it has been submerged for a predetermined time?*
- Q5. *What is the range of the delay time in planted air-laid mines?*
- Q6. *List the influence-actuated firing mechanisms.*

WEIGHT:	
FAIRED:	2273 LB.
UNFAIRED:	2132 LB.
LENGTH:	
FAIRED:	114.6 IN.
UNFAIRED:	90 IN.
DIAMETER:	23.6 IN.
SUSPENSION PROVISIONS:	30 IN.



A0f05011

Figure 5-11.—Mk 55 service and Mk 55 exercise mine.

- Q7. *What type of mine is detonated by the sound waves generated by nearby ships' rotating screws?*
- Q8. *What force actuates the pressure mine?*
- Q9. *What actuates the magnetic type of mine?*

### OPERATIONAL AIRCRAFT MINES

Air-laid mines currently in operational use are discussed briefly in the following paragraphs.

#### Mk 55 Mine

The Mk 55 service mine and the Mk 55 exercise mine (fig. 5-11) are air-laid bottom mines. Each mine is fitted with a nose fairing and box fins for drop stability. Each is suspended from the aircraft by two suspension lugs spaced 30 inches apart. Both mines use a parapak designed to slow descent and reduce impact when the mine enters the water. A control unit, activated by a single arming wire, opens the parapak. Each mine is equipped with an arming device and a double arming wire used on the extender and hydrostatic switch. The Mk 55 mine is equipped with a firing system that is responsive, either singly or in combination, to the acoustic, magnetic, and/or pressure influence of a

passing ship. The Mk 55 exercise mine is an inert service mine equipped with exercise components.

**REVIEW NUMBER 3 ANSWERS**

- A1. The mine case contains or carries all other components.
- A2. The explosive components of a mine include the main charge, booster, initiating system, and auxiliary explosive devices.
- A3. Between 160 and 1,300 pounds of explosives are used in air-laid mines.
- A4. After a mine is planted, a clock-delay mechanism prevents the mine from firing until it has been submerged for a predetermined time.

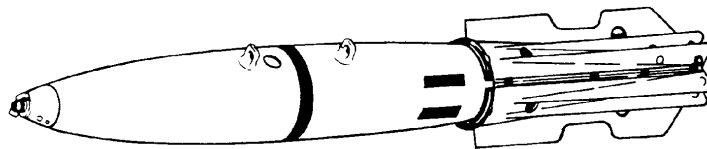
- A5. The range of the delay time in planted air-laid mines is from 8 minutes to 10 days.
- A6. Influence-actuated firing mechanisms include acoustic, pressure, and magnetic.
- A7. Acoustic mines are detonated by the sound waves generated by nearby ships' rotating screws.
- A8. A decrease in the water pressure immediately surrounding the mine actuates the pressure mine.
- A9. A change in the earth's magnetic field actuates the magnetic type of mine.

**Mk 62, 63, and 64 Quickstrike Mines**

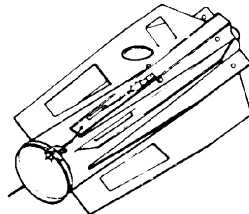
The Mk 62, 63, and 64 (fig. 5-12) mines are air-laid, all modular, influence-actuated bottom mines.

PHYSICAL CHARACTERISTICS:

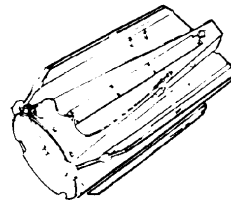
	MK 62 MINE	MK 63 MINE	MK 64 MINE
MK 15	565 LBS.	N/A	N/A
BSU-86	571 LBS.	N/A	N/A
MAU-91	N/A	1105 LBS.	N/A
MK 11	N/A	N/A	1990 LBS.
MK 12	N/A	1016 LBS.	N/A
DIMENSIONS:			
DIAMETER:	11 IN.	14 IN.	18 IN.
SUSPENSION PROVISIONS:			
	14 IN.	14 IN.	30 IN.



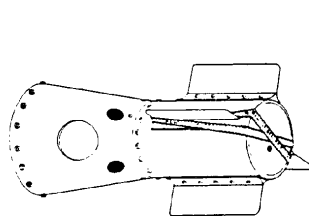
MK 62 MINE (TYPICAL) W/MK 15 FIN ASSEMBLY



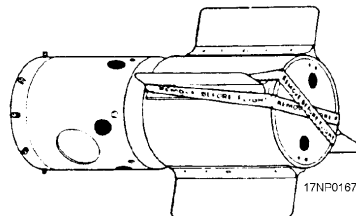
BSU-86 FIN ASSEMBLY  
MK 62 MINE



MAU-91 FIN ASSEMBLY  
MK 63 MINE



MK 11 TAIL SECTION  
MK 64 MINE



MK 12 TAIL SECTION  
MK 63 MINE

Figure 5-12.—Mk 62, 63, and 64 quickstrike mines.

They are used against submarines and surface targets. The mines are upgraded by installation of the Mk 130 conversion kit, Mk 130 battery, and flight gear.

### Mk 65 Quickstrike Mine

The Mk 65 quickstrike mine (fig. 5-13) is a 2,000 pound, air-laid, all modular, influence-actuated, bottom mine. The Mk 65 is used against submarines and surface targets. The Mk 65 consists of a Mk 65 mine case, a Mk 45 safety device arming group with a Mk 2 arming device, a Mk 57 target detecting device and a Mk 7 tail assembly.

#### REVIEW NUMBER 4

- Q1. What components are used on the Mk 55 mine for drop stability?
- Q2. What is the suspension of the Mk 55 mine?

#### SAFETY PRECAUTIONS

**LEARNING OBJECTIVE:** *Recognize the safety precautions for handling mines and torpedoes.*

Handling mines is a specialized job. If you aren't qualified, don't disassemble the mines or their components. You should follow the same safety precautions for mines as you follow when handling bombs.

To conform to safety and ammunition stowage requirements, mines are normally received aboard ship

in assembly configurations C or D. Aviation Ordnancemen are not required to assemble mines, but they are required to be qualified and certified in mine handling and aircraft loading procedures.

A Mobile Mine Assembly Group (MOMAG), composed of personnel from the Mineman rate, is responsible for the proper assembly of all mines. It is the responsibility of the mine planting activity to notify the MOMAGs of scheduled mine operations and the exact dates their assistance will be required.

When a mine is jettisoned safe, the wires remain in the clock starter and booster extender. This prevents them from operating after the mine submerges. However, when the mine strikes the water, the arming wires may pull free. Hydrostatic pressure or countermine shock can cause the wires to shear. Also, after a mine is submerged for a long period, the wires can corrode and break. No mine is jettisoned safe in water that is less than 800 feet (243.8 meters) deep with positive assurance that it isn't a hazard. Depths greater than 800 feet will crush or flood the mine case, making the mine inoperative.

When handling mines during preflight operations, follow the same general handling techniques you use for bombs or torpedoes.

#### REVIEW NUMBER 5

- Q1. In what configuration are mines normally received aboard ship?
- Q2. The assembly of mines is the responsibility of \_\_\_\_\_.

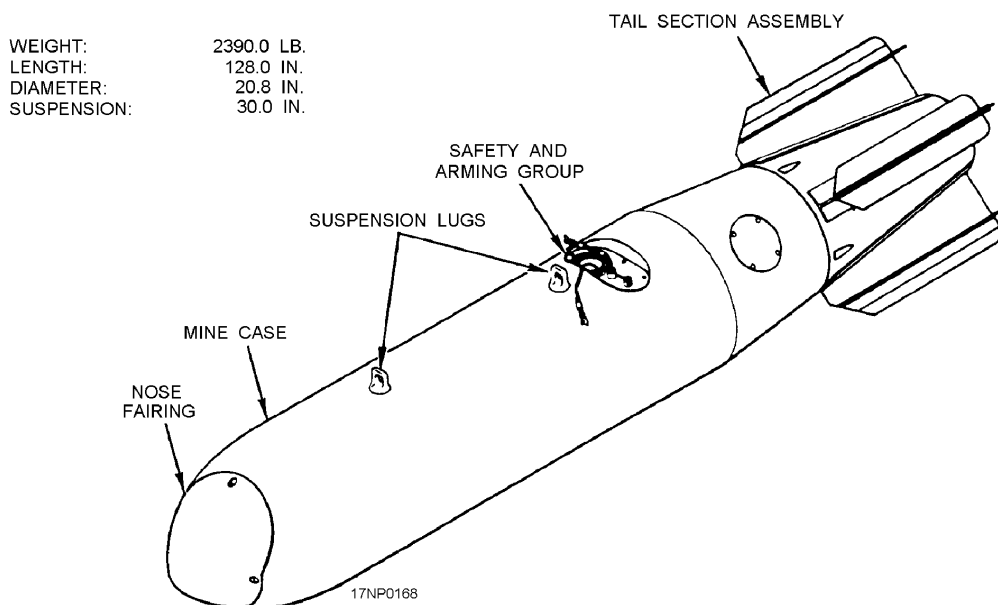


Figure 5-13.—Mk 65 quickstrike mine.

Q3. *To what minimum depth must a mine be jettisoned to be considered jettison safe and not constitute a hazard?*

**REVIEW NUMBER 4 ANSWERS**

- A1. *A nose fairing and box fins are used on the Mk 55 mine for drop stability.*
- A2. *The Mk 55 mine is equipped with suspension lugs 30 inches apart.*

**REVIEW NUMBER 5 ANSWERS**

- A1. *Normally, mines are received aboard ship in configurations C and D.*
- A2. *The assembly of mines is the responsibility of a mobile mine assembly group (MOMAG).*
- A3. *A mine must be jettisoned to a minimum depth of 800 feet (243.8 meters) to be considered jettison safe and not constitute a hazard.*



## CHAPTER 6

# M61A1 GUN INSTALLATION

Gun systems installed in high-speed aircraft must meet demanding performance requirements and provide firepower. The General Electric M61A1 20-mm automatic gun system, installed in the F-14 and F/A-18 aircraft, meets these requirements.

The M61A1 (fig. 6-1) is a six-barrel, rotary-action, automatic gun based on the machine-gun design of Richard J. Gatling. The gun consists of a revolving cluster of barrels. Each barrel is fired once per revolution. The M61A1 automatic gun is hydraulically driven, electrically controlled, and can fire M50 and PGU-series ammunition at 4,000 to 7,200 rounds per minute. As installed in Navy aircraft, the gun has a pilot selectable firing rate of either 4,000 (GUN LOW) or 6,000 (GUN HIGH) rounds per minute. It is designed for either air-to-ground or air-to-air gunnery missions.

Ammunition is supplied to the M61A1 gun by an ammunition handling and storage system that functions within a specific aircraft. The system uses an endless conveyor that transports 20-mm ammunition from the ammunition drum to the gun. The conveyor then returns the expended cases and unfired rounds to the ammunition drum.

Although the physical location of components varies between different aircraft gun installations, the function and description of the components are essentially the same.

### M61A1 AUTOMATIC GUN

**LEARNING OBJECTIVE:** *Identify the components of the M61A1 automatic gun and recognize the operating principles.*

The primary parts of the gun are the barrels, housing assembly, and rotor assembly. The following paragraphs contain a description of each gun component and an explanation of how each component works. Figure 6-2 shows an exploded view of the gun components, and figure 6-3 shows the gun component locations. As each component is discussed, you should look at these figures.

### GUN COMPONENTS

The primary parts of the gun are described in the following paragraphs.

**Muzzle clamp assembly.** The muzzle clamp assembly is positioned at the outer end of the barrels. It restrains individual barrel movement during firing. It is positioned against the flange on the barrels and secured by the pressure of the self-locking nut assembly against the opposite side of the shoulders.

**Mid-barrel clamp assembly.** The mid-barrel clamp assembly is positioned near the center of the barrels. The clamp tabs are engaged in the slots of the stop shoulders on the barrels. Secure the clamp in this position by rotating the locating disk to the locked position. The direction of rotation of the gun and barrel hue prevents the clamp from unlocking. Insert a cotter pin through the locking disk and clamp plate as an additional safety measure.

**Barrels.** The M61A1 automatic gun has six rifled barrels. The stub rotor attached to the rotor body supports them. The three rows of interrupted locking lugs on the barrel engage similar interrupted locking lugs in the rotor to secure the barrel. There are three

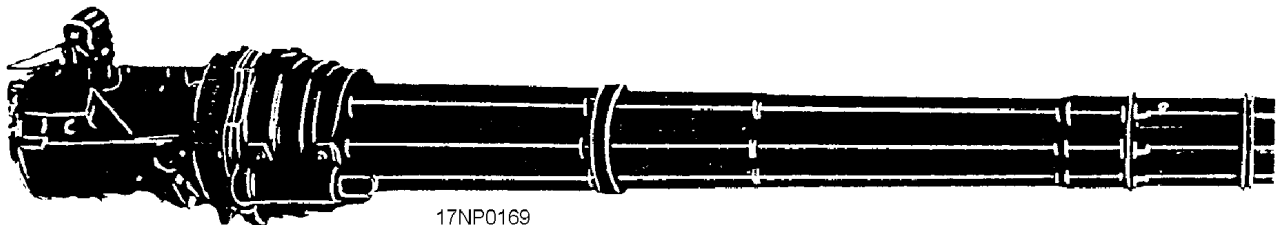
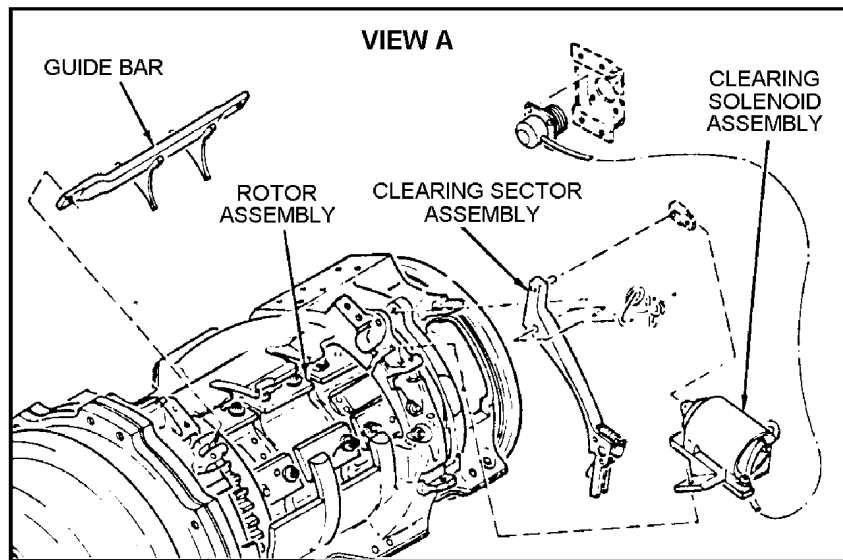
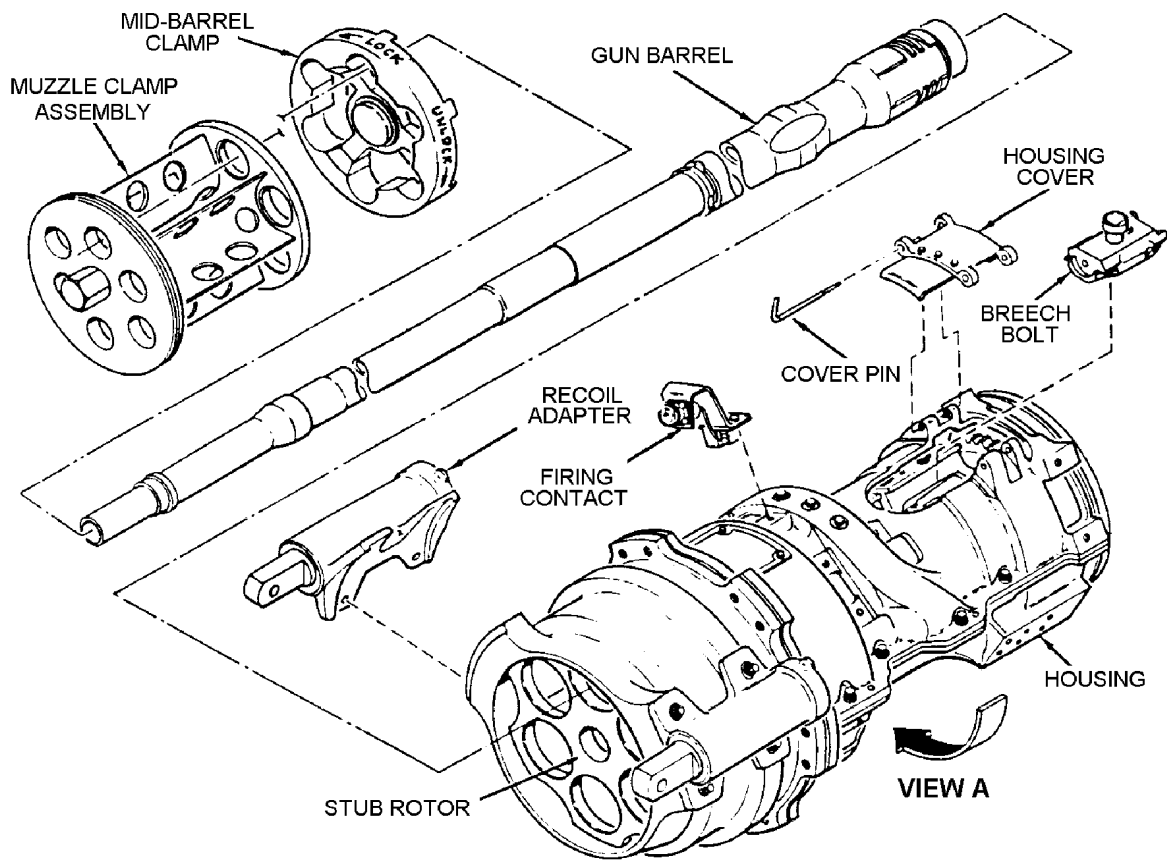


Figure 6-1.—M61A1 automatic gun.



17NP0170

Figure 6-2.—Gun components (exploded view).

knurled bands near the center of the barrels. These bands give you a gripping surface for easy installation and removal of the barrels from the rotor.

**Recoil adapters.** The recoil adapters are mounted on the bearing retainer and provide the front mounting for the gun. There are alternate locations for the recoil

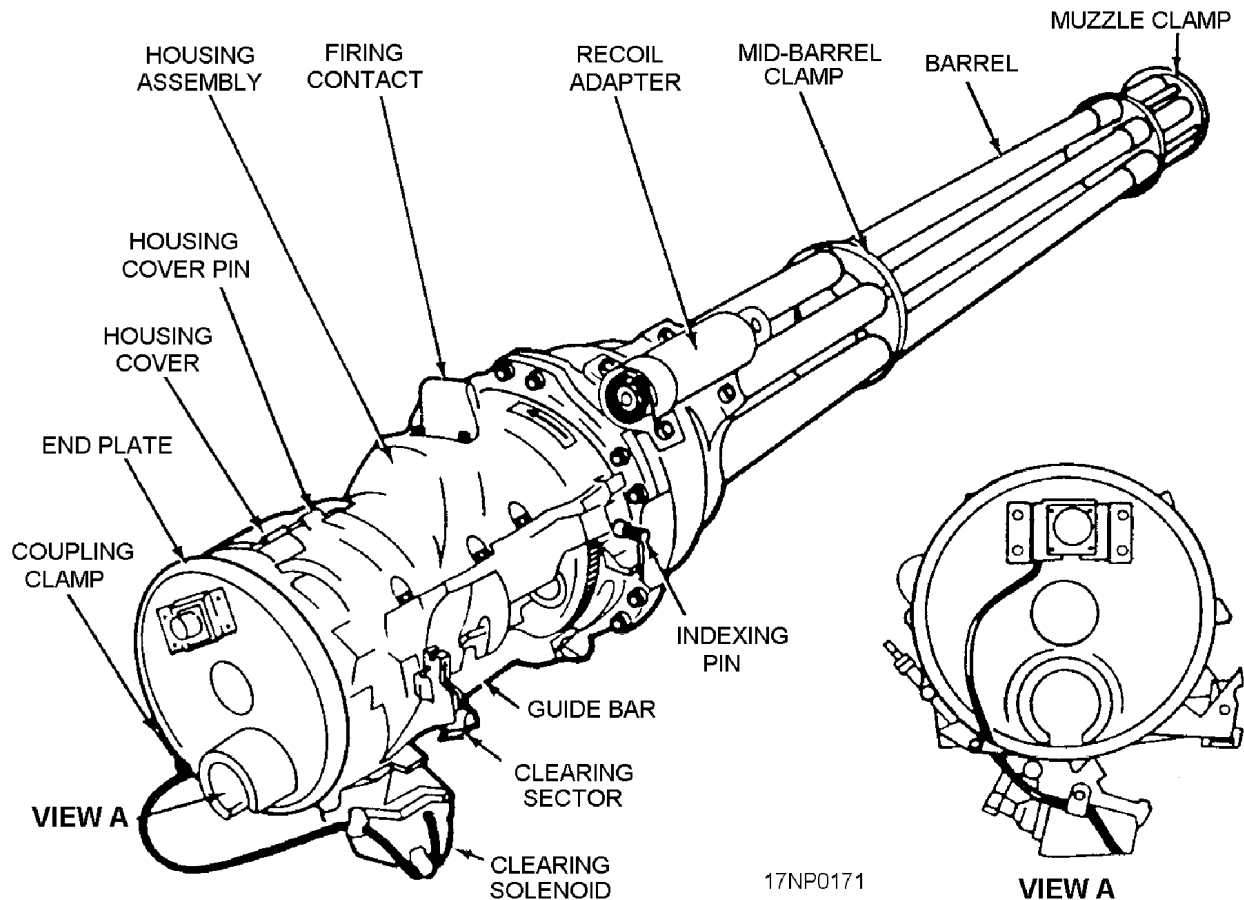


Figure 6-3.—Gun component locations.

adapters with respect to the gun's axis. These locations are possible because the bearing retainers can be mounted to the housing in increments of 60 degrees. The adapters reduce the amount of recoil and counter-recoil forces transmitted to the supporting structure when the weapon is fired.

**Firing contact assembly.** The firing contact assembly is mounted to the housing so that the connector is outside the housing, and the spring-loaded cam is inside the assembly. The contact assembly provides the necessary path for the current to enter the housing and reach the breech-bolt assembly. This path goes through the connector to the conductor, to the insulated insert in the contact cam assembly, and then to the breech-bolt assembly.

**Clearing solenoid assembly.** The clearing solenoid assembly is mounted near the back of the gun housing. It is linked to and controls the movement of the clearing sector assembly.

**Clearing sector assembly.** The clearing sector assembly is linked to and controlled by the clearing

solenoid assembly. When the solenoid is activated, the sector arm diverts the bolt assemblies into the clearing cam path.

**Guide bar.** The guide bar is located on the gun housing. It guides the rounds into and out of the extractor lip that is located on each of the six breech-bolt assemblies.

**Breech-bolt assembly.** The breech-bolt assembly picks up a round as it enters the gun, transports it to the firing chamber, locks it into the firing position, transmits the firing voltage to the primer of the round, and returns the empty case to the guide bar, where it is cammed out of the gun. An extractor lip on the front of each bolt assembly engages the rim of a round throughout these actions.

There are six breech-bolt assemblies in the gun. Guide slots or grooves on the side of the bolt body permit it to slide on the rotor tracks. The bolt roller shaft determines the position of the bolt as it follows the main cam path or the clearing cam path in the housing.

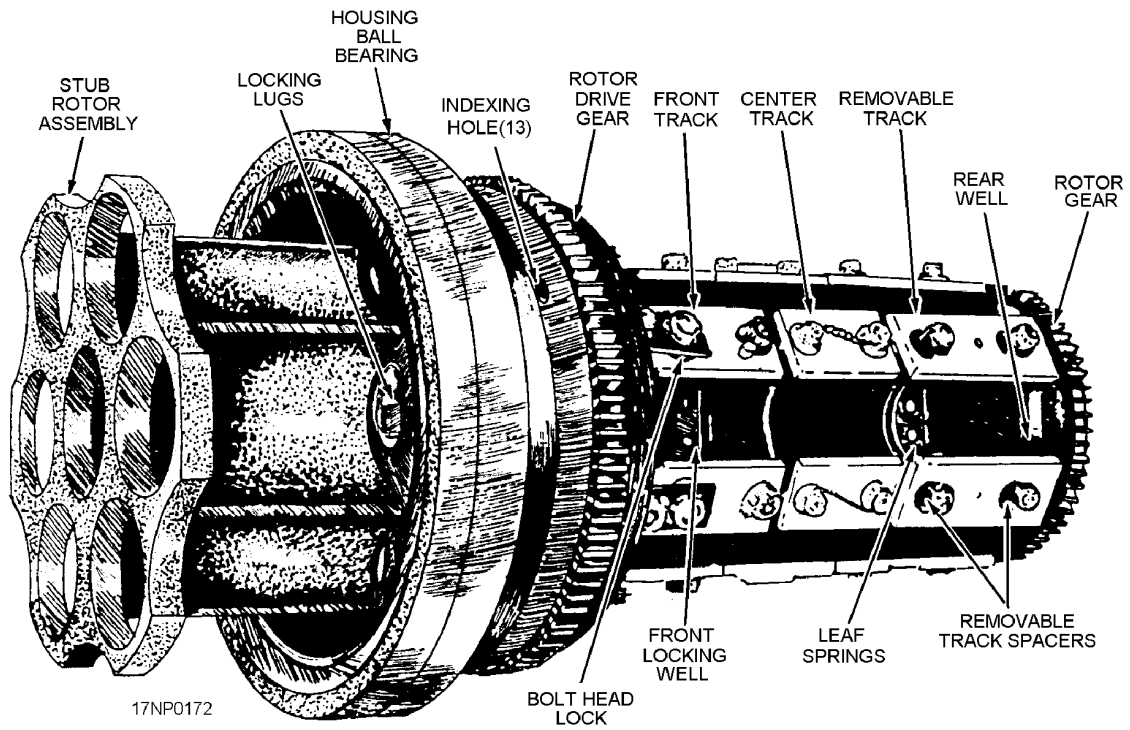


Figure 6-4.—Rotor assembly.

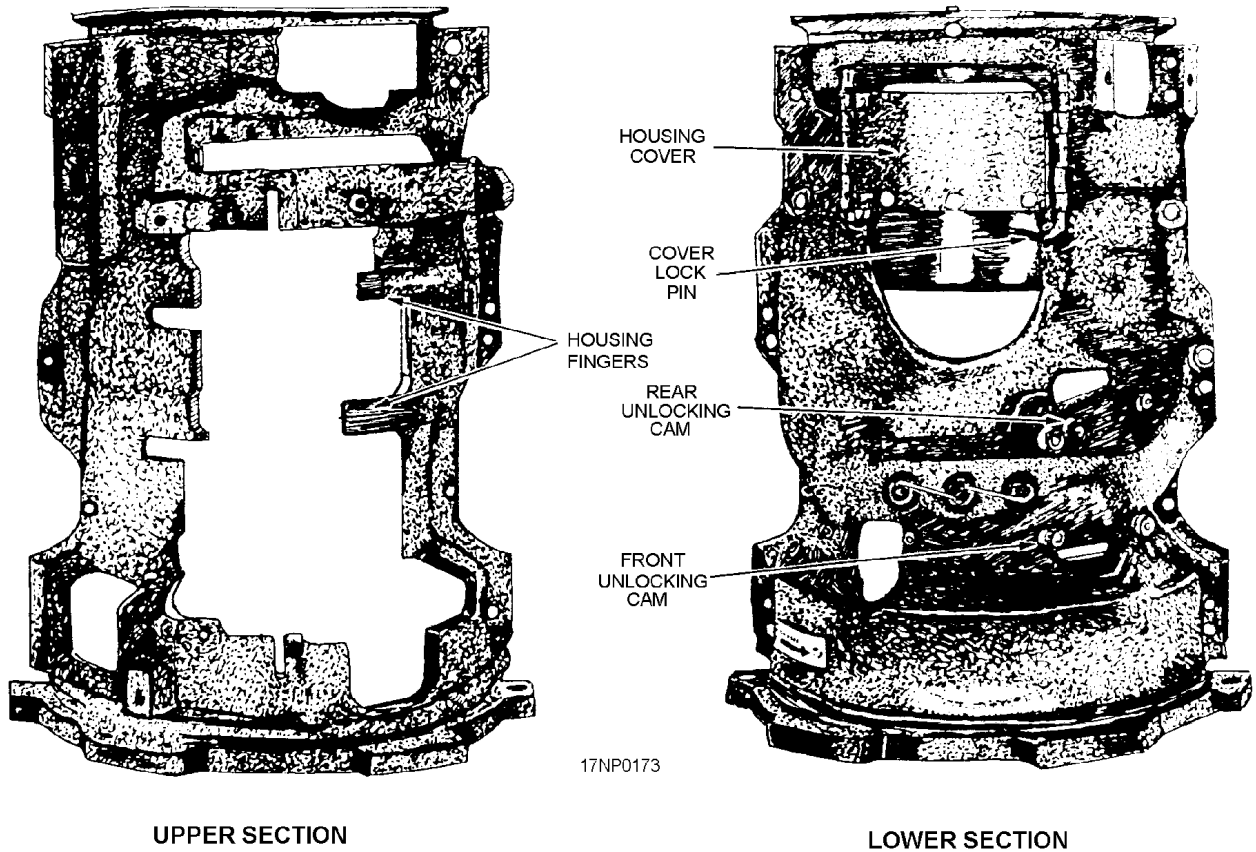


Figure 6-5.—Rear housing assembly and related parts (external view).

**Rotor assembly.** The rotor assembly (fig. 6-4) is a major unit of the M61A1 gun. The front section or stub rotor supports the six barrels. The main body of the rotor assembly contains the rotor tracks, rotor drive gear, and the locking lugs to lock the barrels in place.

The rotor tracks support the breech-bolt assemblies and provide a guide for the forward and backward movement of the bolt. There are six sets of rotor tracks attached to the ribs along the rotor body. Each set contains a front, center, and rear removable track. The removable track lets you install or remove a bolt assembly for servicing or replacement. The necessary front support for the rotor assembly consists of a double row of ball bearings. The rear is supported by needle

bearings located inside the rotor body. The end plate provides the inner race for the needle bearings, and it also provides for the gun's rear support.

**Rear housing assembly and associated parts.** The rear housing assembly (figs. 6-5 and 6-6) is a major unit of the gun. It consists of an upper section and a lower section assembled as one unit. The rear housing assembly provides the main cam path that controls the movement of the breech-bolt assemblies. The elliptical (oval) shape of the main cam path causes the forward and backward movement of the bolt assemblies. The clearing-cam path is circular and located at the rear of the housing. It provides a path for the bolt assemblies during the gun's clearing cycle. The housing cover,

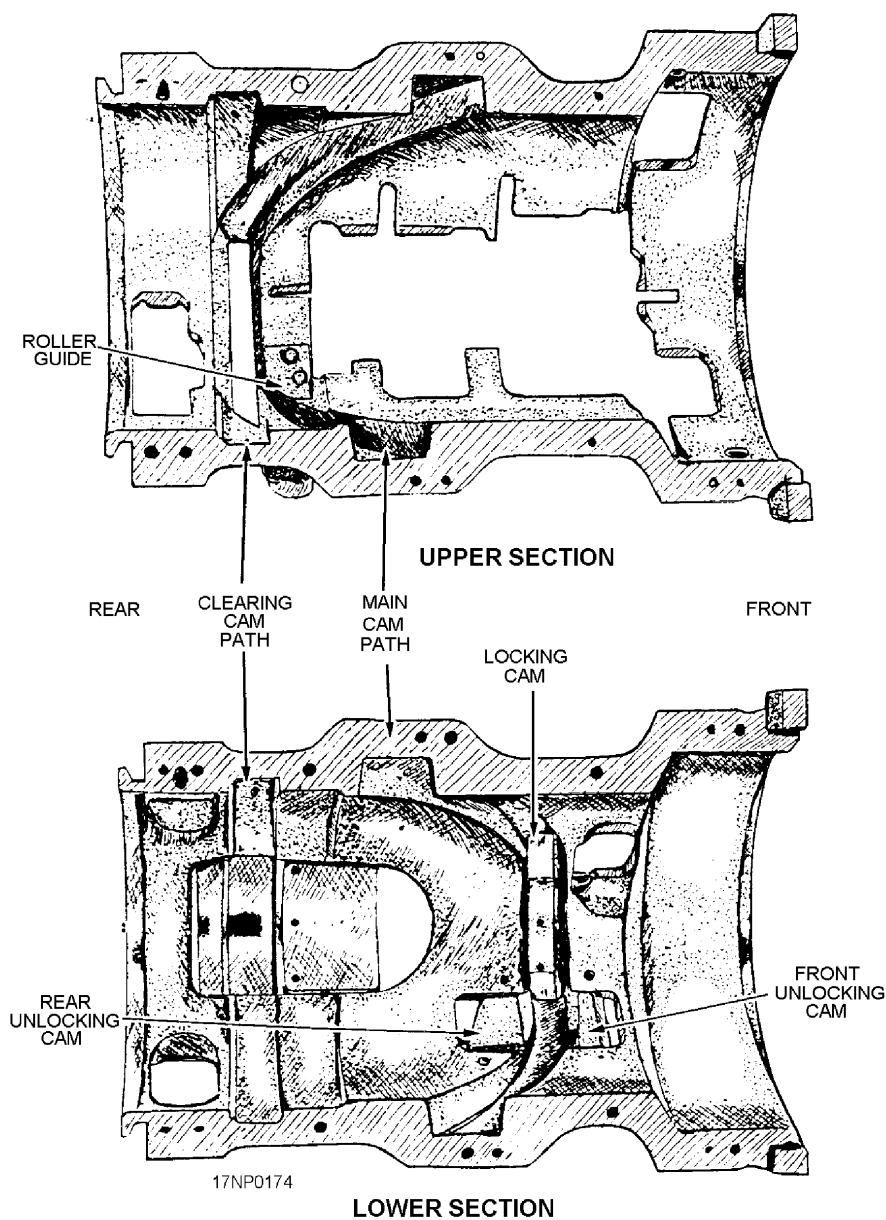


Figure 6-6.—Rear housing assembly and related parts (internal view).

when in the closed position, forms a part of the clearing cam path. You may remove the housing cover to install or remove the bolt assembly.

The locking and unlocking cams are part of the housing assembly. The gun-indexing pin (timing pin) is located on the housing (fig. 6-3). It is used to time the gun when it is mated with the ammunition handling system, or when you perform loading/unloading procedures.

Lubricator assembly. A lubricator assembly (fig. 6-7) is attached externally to the gun housing assembly. It is used to lubricate the bolt assemblies during gun operation. During gun acceleration/deceleration and when the gun is firing, an inertia-actuated pump located within the lubricator assembly pumps the lubricant (DOD-L-85336) through a metal tube to the gun housing assembly. You can refill the lubricator assembly when performing normal maintenance procedures.

## REVIEW NUMBER 1

- Q1. List the naval aircraft that carry the M61A1 20-mm automatic gun.
- Q2. When installed in naval aircraft, the M61A1 gun has a pilot selectable firing rate of \_\_\_\_\_.
- Q3. List the primary parts of the M61A1 gun.
- Q4. What is the purpose of the muzzle clamp assembly?
- Q5. The M61A1 gun has six rifled barrels that are secured to the rotor by \_\_\_\_\_.
- Q6. What component has front mounting points so the gun can be mounted in the aircraft?
- Q7. The rounds are guided into and out of the extractor lip of the breech-bolt assemblies by \_\_\_\_\_.

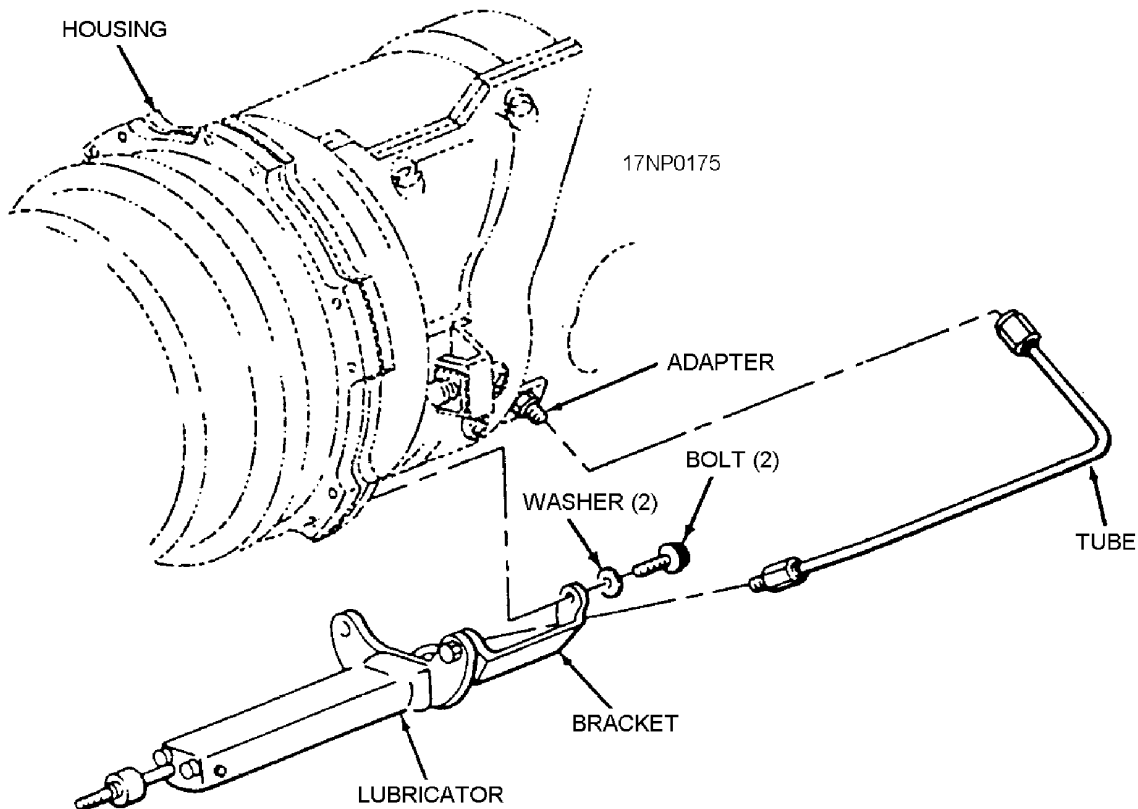


Figure 6-7.—Lubricator assembly installation (F-14).

- Q8. List the parts contained in the main body of the rotor assembly.
- Q9. What assembly provides the main cam path that controls the movement of the breech-bolt assemblies?
- Q10. What lubricant should you use for the M61A1 gun?

### M61A1 GUN PRINCIPLES OF OPERATION

The operation of the M61A1 gun is divided into two distinct cycles—the firing cycle and the clearing cycle.

### Firing Cycle

The firing cycle begins when power is applied to the firing contact assembly and the gun drive unit simultaneously.

If you look at the rotor from the rear, you see that it revolves in a counterclockwise direction. The ammunition is received from an external source. It is guided into the extractor lip on a breech-bolt assembly by the guide bar fingers (fig. 6-8). The bolt roller shaft follows the main cam path and moves the bolt assembly forward along the rotor tracks, chambering the round.

As the breech-bolt assembly enters the front dwell area of the main cam path, the locking cam forces the bolt shaft down, locking the bolt in the front locking

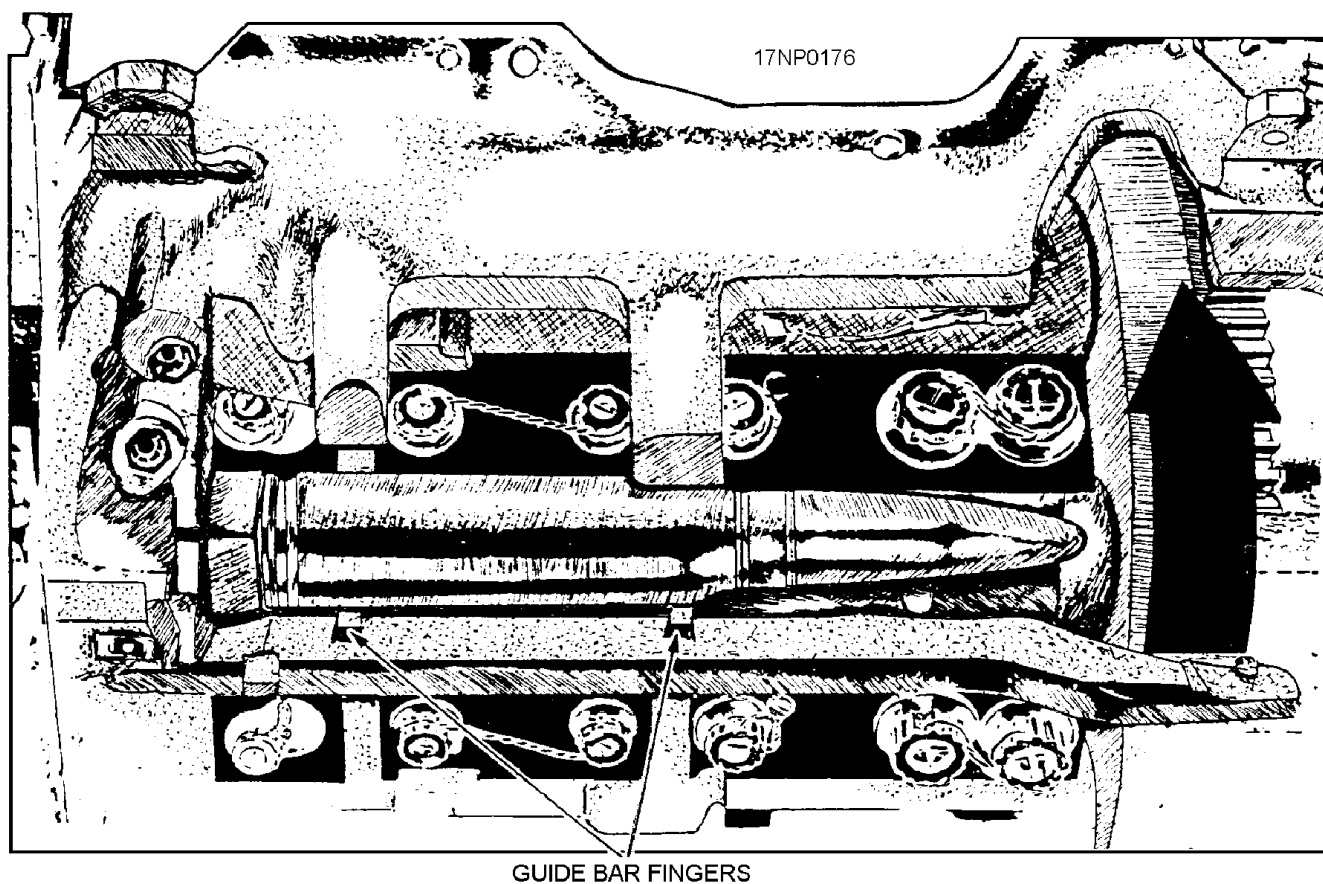


Figure 6-8.—Round guided into breech-bolt assembly.

well of the rotor (fig. 6-9). The insulated portion of the contact cam in the firing contact assembly depresses the firing pin cam in the breech-bolt assembly. This moves the firing pin forward against the primer of the round. The conductor portion of the contact cam makes contact with the firing pin cam, which allows a firing voltage to pass through the firing pin to fire the round.

The breech-bolt assembly remains locked throughout the locking cam period until the projectile leaves the barrel. After the projectile leaves the barrel, the barrel pressure is reduced. The unlocking cam lifts the bolt shaft, retracts the bolt-locking block, and unlocks the bolt.

The main cam path guides the breech-bolt assembly rearward. The empty case is removed from the chamber by the extractor lip of the bolt assembly. Then, the bolt assembly travels back along the rotor tracks until the guide bar removes the empty case from the bolt extractor lip and ejects it from the gun (fig. 6-10). To complete the cycle, the bolt assembly travels along the rear cam dwell area and into position to receive the next round.

#### REVIEW NUMBER 1 ANSWERS

A1. The naval aircraft that carry the M61A1 20-mm automatic gun are the F-14 and F/A-18.

- A2. When installed in naval aircraft, the M61A1 gun has a pilot selectable firing rate of 4,000 rounds per minute (GUN LOW) and 6,000 rounds per minute (GUN HIGH).
- A3. The primary parts of the M61A1 gun are the barrels, housing assembly, and rotor assembly.
- A4. The muzzle clamp assembly restrains individual barrel movement during firing.
- A5. The M61A1 gun has six rifled barrels that are secured to the rotor by three rows of interrupted locking lugs.
- A6. The recoil adapters have front mounting points so the gun can be mounted in the aircraft.
- A7. The rounds are guided into and out of the extractor lip of the breech-bolt assemblies by the guide bar.
- A8. The rotor tracks, rotor drive gear, and the locking lugs to lock the barrels in place are contained in the main body of the rotor assembly.
- A9. The rear housing assembly and associated parts provide the main cam path that controls the movement of the breech-bolt assemblies.

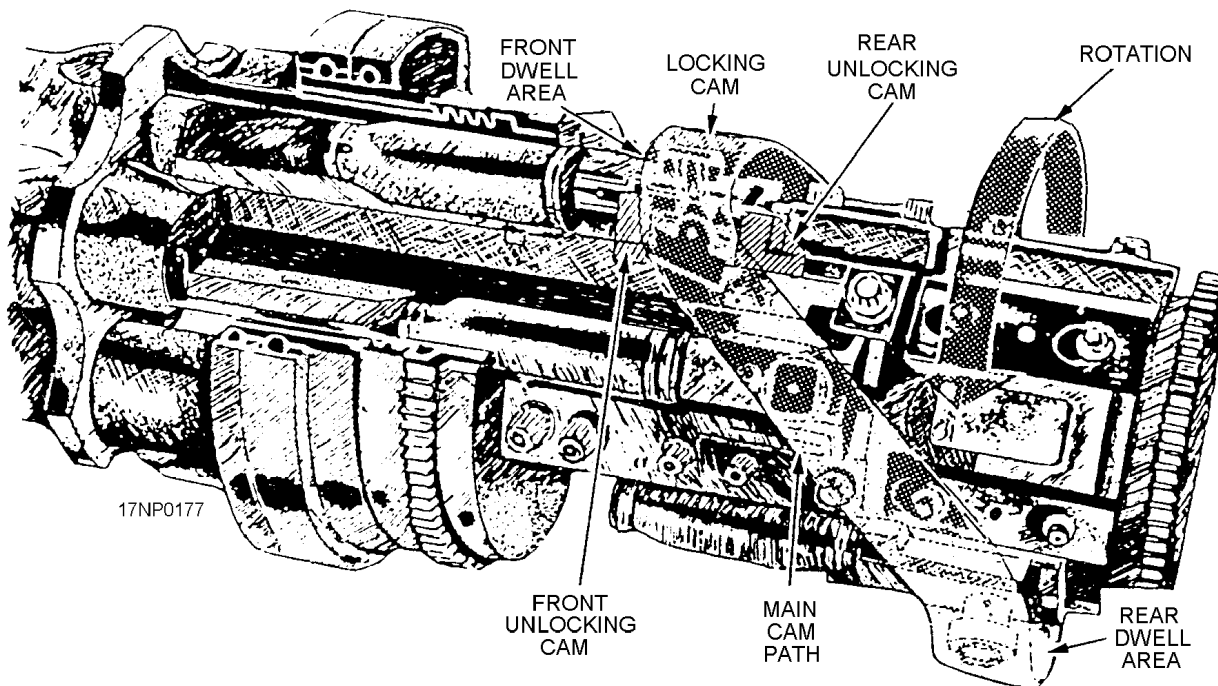


Figure 6-9.—Breech-bolt assembly in firing cycle.



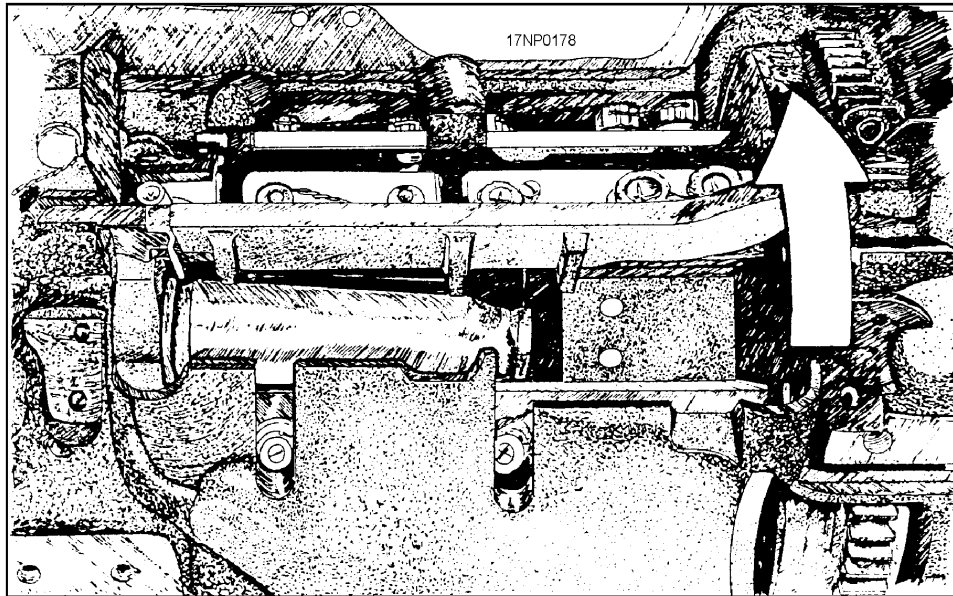


Figure 6-10.—Ejection of empty case.

A10. You should use DOD-L-85336 lubricant for the M61A1 gun.

The breech-bolt assembly has now completed a full firing cycle through the elliptical-shaped main cam path. It has performed seven actions or operations in the following sequence:

1. Feed
2. Chamber
3. Lock
4. Fire
5. Unlock
6. Extract

7. Eject

All six breech-bolt assemblies repeat this firing cycle until the clearing solenoid is actuated, and the gun starts the clearing cycle.

### Clearing Cycle

The clearing cycle starts when the clearing solenoid is energized. The clearing solenoid depresses the clearing sector arm to the gun housing. This places the clearing sector arm in a ready position. The first bolt assembly that passes the sector arm triggers the actuating pin that lets the sector arm continue to the clearing mode position. This diverts the succeeding bolt assemblies into the clearing cam path (fig. 6-11).

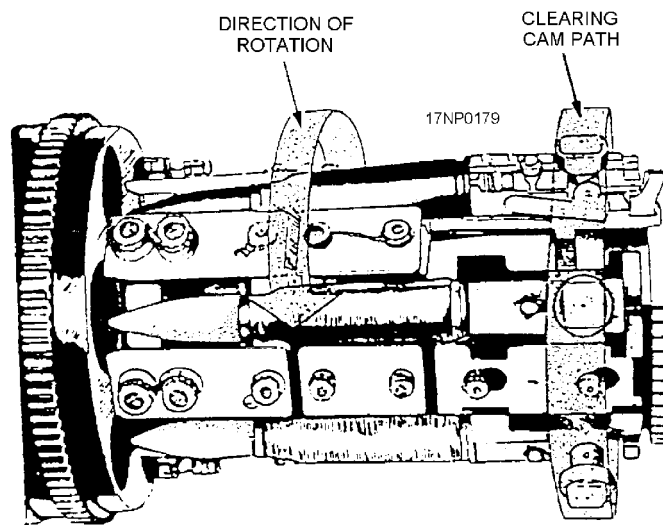


Figure 6-11.—Breech-bolt assembly in clearing cycle.

As the breech-bolt assembly picks up a round at the guide bar, the clearing sector arm depresses the bolt roller shaft. This locks the bolt assembly in the rear locking well of the rotor. While locked in this position, the bolt assembly cannot follow the main cam path, so it follows the clearing cam path. The clearing cam path isn't as deep as the main cam path, and it keeps the bolt roller shaft depressed. This firmly locks the bolt assembly in the rear of the rotor body.

The M61A1 gun continues to receive rounds during the clearing cycle. However, because each bolt assembly remains positioned at the back of the rotor during rotation, the guide bar cam fingers eject all unfired rounds. When the clearing solenoid is deactivated, the clearing sector arm pivots out of the main cam path. This allows the leaf springs in the rear locking well to force the bolt-locking block upward. The bolt roller shaft follows the main cam path that permits the gun to be fired.

If necessary, you may clear the gun manually. To do this, manually pivot the clearing sector cam into the main cam path while turning the rotor by hand.

For further information on the M61A1 automatic gun, you should refer to the *M61A1 Automatic Gun*, NAVAIR 11-95M61A1-1. NAVAIR 11-95M61A1-1 provides intermediate-level maintenance procedures and includes associated special support equipment.

## REVIEW NUMBER 2

- Q1. *Name the two cycles of the M61A1 gun.*
- Q2. *When does the firing cycle begin in the M61A1 gun?*
- Q3. *After the projectile leaves the barrel, what component removes the empty case from the chamber?*
- Q4. *The main cam path is \_\_\_\_\_ shaped.*
- Q5. *List, in sequence, the six operations the breech-bolt assembly performs during a full firing cycle.*
- Q6. *At what point does the clearing cycle start?*
- Q7. *The M61A1 gun continues to receive rounds during the clearing cycle. What component ejects all unfired rounds?*

## AMMUNITION HANDLING AND GUN DRIVE SYSTEMS

**LEARNING OBJECTIVE:** *Identify the ammunition handling and gun drive systems of the M61A1 automatic gun. Describe the principles of operation of each system and identify the interrelationship of the various systems.*

The ammunition and gun drive subsystems are discussed in the following paragraphs.

### DRUM UNIT ASSEMBLY

Live ammunition and expended cases are stowed in the drum unit assembly. This assembly has four major parts—drum unit, entrance cover, exit cover, and scoop disk. Refer to figure 6-12 as you read about these parts.

**Drum Unit.** The drum unit is a cylindrical structure that consists of an outer drum and an inner drum helix. The live ammunition rounds and expended cases are stored radially around the longitudinal axis of the outer drum with their bases in an outward direction. Their bases in partitions suspend the rounds. These partitions are mounted lengthwise with respect to the inner surface of the outer drum. With the outer drum mounted stationary to the aircraft's structure, the rounds are moved along the length of the partitions by the rotation of the double-lead helix (inner drum). It's easy to understand this movement if you think of the inner drum helix as the threads on a screw. The projectile end of the casing protrudes into the threads. As the inner drum helix is rotated, it produces a screwing-type motion, causing the rounds to slide along the partitions from one end to the other end of the outer drum.

**Entrance Cover.** The entrance cover is stationary mounted to the entrance end of the outer drum. The entrance cover contains a retainer gear and 252 steel ball bearings that support the scoop disks and the inner drum helix. The retainer partitions are mounted to the retainer gear that controls the position of the rounds as they are passed from the entrance cover to the scoop disk. A spring-loaded timing pin on the entrance cover is used to index the drum for installation of the entrance unit.

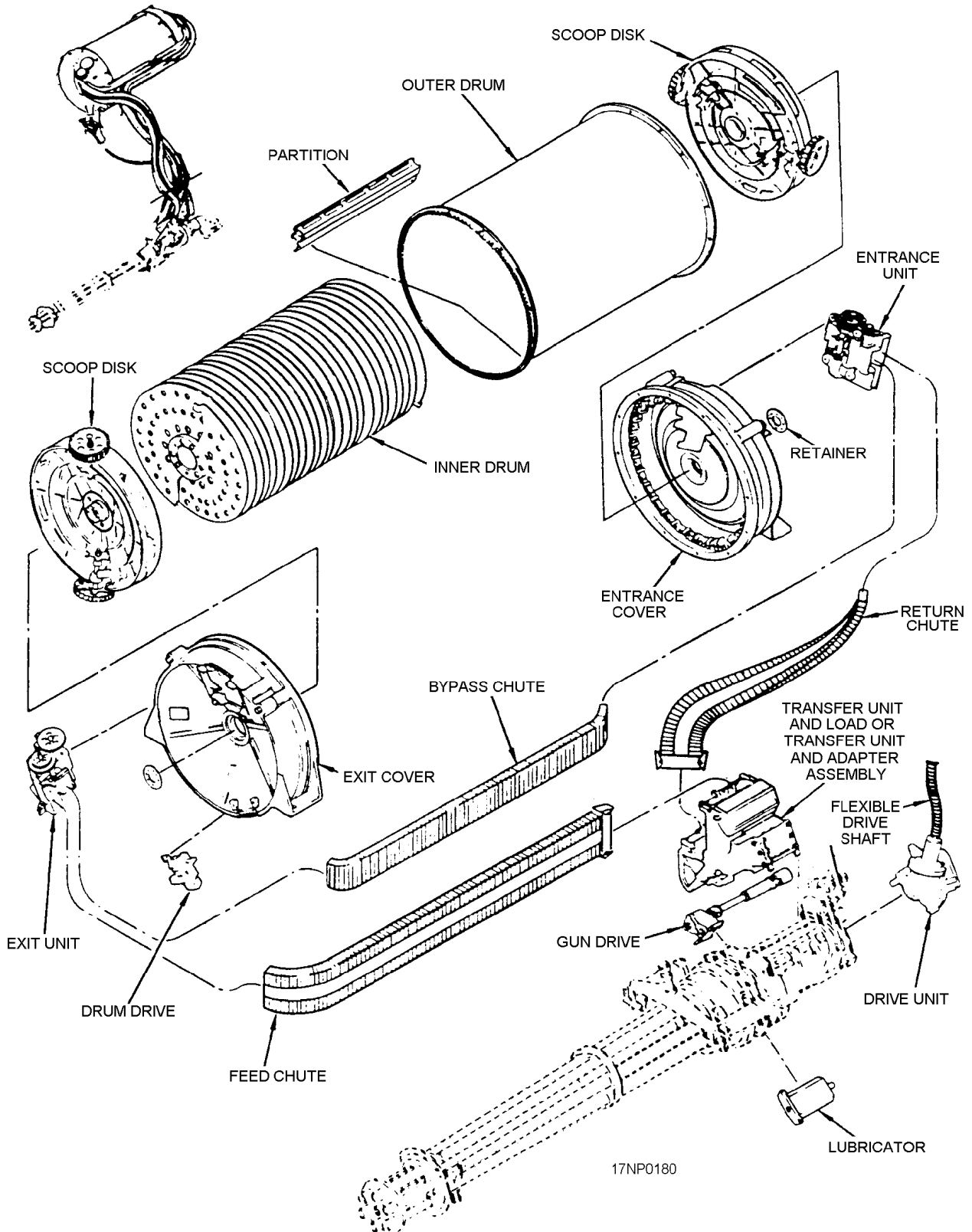


Figure 6-12.—Ammunition handling components (exploded view).

**Exit Cover.** The exit cover is stationary mounted to the exit end of the outer drum. The exit cover is constructed like the entrance cover. It controls the position of the rounds as they pass from the scoop disk to the exit cover. A spring-loaded timing pin on the exit cover is used to index the drum for installation of the exit unit.

**Scoop Disk.** A scoop disk is mounted on each end of the inner drum helix. Each scoop disk has two sets of sprocket spur gears located 180 degrees apart. These spur gears mesh with the retainer gear in the entrance/exit covers that provide rotating support for the inner drum helix. The sprockets attached to the spur gear transfer rounds from the entrance cover retainer partitions to the drum partitions, and from the drum partitions to the retainer partitions in the exit cover.

## EXIT UNIT

The exit unit is attached over an opening in the exit cover and geared to the exit cover retainer gear. The exit unit contains two gear-driven sprocket assemblies. The sprocket assemblies remove live rounds or expended cases from the retainer partitions in the exit cover and place them in the conveyor elements. Before you install the exit unit to the exit cover, press and hold the exit unit timing pin and the exit cover timing pin to make sure there is proper gear alignment between the two components. Once the exit unit is properly attached to the exit cover, make sure that the spring-loaded timing pins release.

The exit unit also contains a last-round switch that is electrically connected to the gun control firing circuits. The projectiles of the 20-mm rounds actuate the switch. The switch prevents expended rounds (empty cases) from being fed into the gun and jamming it. Before the gun will fire, the ammunition must be cycled through the ammunition drum until the first round actuates the last-round switch. When there is no more ammunition present or when expended rounds are present, the last-round switch is released. This automatically initiates the gun clearing cycle and terminates gun firing. Before the gun can be fired again, the ground loading crew to actuate the last-round switch must manually position live ammunition.

## ENTRANCE UNIT

The entrance unit is attached over the opening in the entrance cover and geared to the entrance cover retainer gear. The entrance unit contains three gear-driven sprocket assemblies. The sprocket

assemblies remove live rounds or expended cases from the conveyor elements and place them in the entrance cover retainer partitions. Before installation, press the spring-loaded timing pin and align the scoop sprocket stud pin with the entrance unit timing mark. With the entrance unit properly timed and aligned, you must press the entrance cover-timing pin and align the timing mark on the scoop disk with the timing mark on the entrance cover. You need to properly time and align both the entrance unit and the entrance cover to ensure proper gear alignment between the two components. Once the entrance unit is attached to the entrance cover, you should make sure that the spring-loaded timing pins release.

## REVIEW NUMBER 2 ANSWERS

- A1. *The two cycles of the M61A1 gun are the firing cycle and the clearing cycle.*
- A2. *The firing cycle begins in the M61A1 gun when power is applied to the firing contact assembly.*
- A3. *After the projectile leaves the barrel, the extractor lip of the breech-bolt assembly removes the empty case from the chamber.*
- A4. *The main cam path is elliptical shaped.*
- A5. *The six operations the breech-bolt assembly performs during a full firing cycle are feed, chamber, lock and fire, unlock, extract, and eject.*
- A6. *The clearing cycle starts when the clearing solenoid is energized.*
- A7. *The M61A1 gun continues to receive rounds during the clearing cycle. The guide bar cam fingers eject all unfired rounds.*

## TRANSFER UNIT AND ADAPTER ASSEMBLY

The transfer unit and adapter assembly are actually two separate components bolted together to form one unit. They are **never** separated at the organizational maintenance level. The function of each component is discussed in the following paragraphs.

### Transfer Unit

The transfer unit is gear-driven by the gun and attached to the M61A1 gun housing by quick-release pins to make maintenance easier. The gear-driven sprocket assemblies and guides maintain positive

control of the rounds and conveyor elements passing through the transfer unit. The transfer unit removes the rounds from the conveyor and places them into the extractor lip of the gun breech bolts. The transfer unit also receives expended cases and unfired rounds from the gun breech bolts and places them in the conveyor elements. When you install the transfer unit and the adapter assembly as a single unit, press and hold the timing pin on the transfer unit and the gun housing. Once the transfer unit/adapter assembly is properly attached, you must make sure that the spring-loaded timing pins release.

### Adapter Assembly

The adapter assembly bolts directly to the transfer unit. During downloading and loading operations, the adapter assembly interfaces with the linkless ammunition loading system (LALS).

### REVIEW NUMBER 3

- Q1. List the major parts of the drum unit assembly.
- Q2. What component of the drum assembly looks like the threads of a screw?
- Q3. What is the purpose of the retainer gear and steel ball bearings contained in the entrance cover?
- Q4. What component should you use to index the drum for installation of the exit unit?
- Q5. What is the purpose of the two sets of sprocket spur gears located on the scoop disk?
- Q6. What switch in the exit unit prevents expended rounds from being fed into the gun and jamming it?
- Q7. What is the purpose of the sprocket assemblies in the entrance unit?
- Q8. What part of the transfer unit and adapter assembly interfaces with the linkless ammunition loading system (LALS)?

### CHUTE ASSEMBLIES

The chute assemblies are interlocking segments. They provide a flexible path through which the conveyor elements transport live rounds and expended cases around an aircraft structure. The bypass chute provides a path from the entrance unit to the exit unit, through which the conveyor elements pass. The feed

chute provides a path from the exit unit to the adapter assembly, through which the conveyor transports live rounds or unexpended cases. The return chute provides a path from the transfer unit to the entrance unit, through which the conveyor transports expended cases or unfired rounds.

The construction of the chute assemblies lets the conveyor elements pass through in only one direction. If the system is rotated in the wrong direction, the element tabs will jam in the chute segments and damage the system. The chute ends are color-coded red and green to key the right connection to other components. Additionally, each end is clearly marked with a metal labeling plate. This identifies the component to which a particular chute end **must** be connected. The ends of the chutes are equipped with quick-release latches for ease of removal and installation.

### CONVEYOR ASSEMBLY

The conveyor assembly consists of individual conveyor elements shaped to cradle a 20-mm case. The elements are joined together by removable hinge pins to form an endless conveyor assembly. (See figure 6-13.)

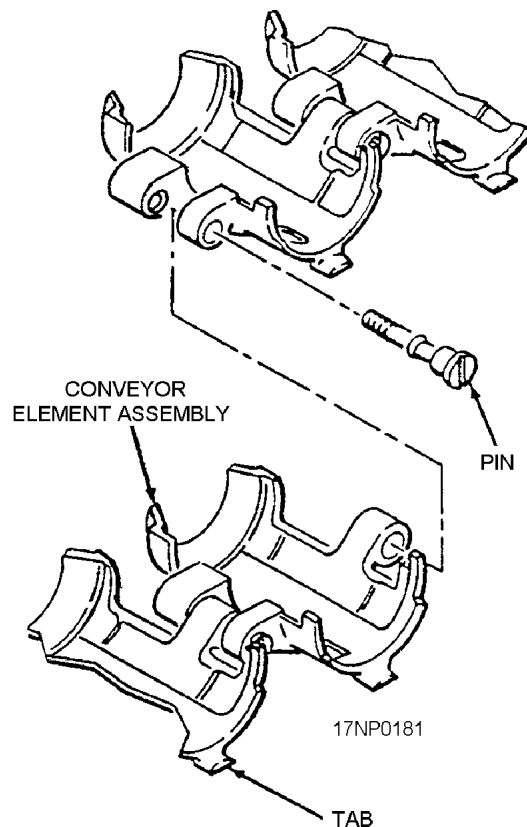


Figure 6-13.—Typical conveyor element assembly.

During system operation, the conveyor receives rounds of ammunition from the exit unit and delivers them through the feed chute to the transfer unit. The conveyor also receives expended cases and unfired rounds from the transfer unit and transports them through the return chute to the entrance unit. After receipt by the entrance unit, the expended cases and unfired rounds are removed from the conveyor elements and stored in the ammunition drum. The empty conveyor passes from the entrance unit to the exit unit through the bypass chute. Tabs on the conveyor elements, which engage guides in the chutes, exit unit, entrance unit, adapter assembly, and transfer unit, maintain positive control of the conveyor elements. The total number of elements required for a system varies according to aircraft application.

### **GUN DRIVE AND DRUM DRIVE SYSTEMS**

A hydraulic drive unit run by the aircraft's hydraulic system simultaneously drives the M61A1 gun and the ammunition handling system. The hydraulic pressure is supplied through a hydraulic fluid manifold electrically controlled by a dual-rate solenoid valve. This solenoid valve is controlled from the cockpit through the gun control unit (GCU), which results in the gun firing at 6,000 (GUN HIGH) or 4,000 (GUN LOW) rounds per minute. Attached to the hydraulic drive unit is a mechanical drive unit that consists of a gear train with one input shaft (from the hydraulic drive unit) and, depending upon the type of aircraft, one or two output shafts.

F-14 aircraft. The F-14 aircraft uses a mechanical drive unit with two output shafts. The mechanical drive unit causes a telescoping shaft to drive the gun and the drum unit assembly.

F/A-18 aircraft. The F/A-18 aircraft uses a mechanical drive unit with one output shaft. Because the ammunition drum is near the mechanical drive unit, a gear on the output shaft of the mechanical drive unit meshes directly with the drum drive. A two-piece telescoping shaft transmits power from the same output shaft of the mechanical drive unit to the gun drive. This, in turn, drives the gun rotor.

Both aircraft have provisions to manually rotate the gun system by using a manual hand crank. During ground maintenance, the gun system may be rotated hydraulically. Actuating a manual control on the hydraulic drive unit when the aircraft's hydraulic system is operating does this.

### **REVIEW NUMBER 3 ANSWERS**

- A1. *The major parts of the drum unit assembly are the drum unit, entrance cover, exit cover, and scoop disk.*
- A2. *The inner drum helix of the drum assembly looks like the threads of a screw and produces a screwing-type motion, causing rounds to slide along partitions from one end to the other end of the outer drum.*
- A3. *The purpose of the retainer gear and steel ball bearings contained in the entrance cover is to support the scoop disks and the inner drum helix.*
- A4. *A spring-loaded timing pin on the entrance cover is used to index the drum for installation of the exit unit.*
- A5. *The two sets of sprocket spur gears located on the scoop disk mesh with the retainer gear in the entrance and exit covers that provide rotating support for the inner drum helix.*
- A6. *The last round switch in the exit unit prevents expended rounds from being fed into the gun and jamming it.*
- A7. *The sprocket assemblies in the entrance unit remove live rounds or expended cases from the conveyor elements and place them in the entrance cover retainer partitions.*
- A8. *The adapter assembly of the transfer unit and adapter assembly interfaces with the linkless ammunition loading system (LALS).*

### **GUN GAS PURGE SYSTEM**

The M61A1 gun is internally mounted in the aircraft's fuselage. When the gun is fired, the temperature of the gun barrels increases rapidly, and the gun compartment is filled with gun gas from the fired rounds. If the barrels are not properly cooled, the rounds may *cook-off* due to excessive barrel temperatures. Gun gas, when confined to an enclosed area such as a gun compartment, is highly explosive. The gun gas purge system cools the barrels and purges gas from the compartment during gun firing operations.

The gun gas purge system in the F-14 aircraft uses cold air from the refrigeration system to cool and purge residual gun gases from the ammunition drum and gun compartment. The subsystem, activated when gun firing is initiated, remains active for a 30-second period

after gun firing to ensure that all gases are cooled and purged.

The F/A-18 gun gas purge system uses engine bleed air and has an additional gas control provided by a hydraulically actuated ram-air scavenge door that opens automatically during gun-firing operations. The gun gasses are vented through louvers in the lower mold line of the aircraft fuselage.

#### REVIEW NUMBER 4

- Q1. What chute provides a path from the exit unit to the adapter assembly?
- Q2. What chute provides a path from the transfer unit to the entrance unit of the drum?
- Q3. What is the purpose of the gun gas purge system?
- Q4. Describe the difference between the gun gas purge systems of the F-14 aircraft and the F/A-18 aircraft.

#### M61A1 GUN SYSTEM INSTALLATIONS

**LEARNING OBJECTIVE:** *Identify M61A1 gun system installations to include those used on the F/A-18 and F-14 aircraft.*

M61A1 gun and ammunition handling system installations have the same basic components. However, some components are peculiar to specific aircraft. These differences are discussed in the following paragraphs.

#### F/A-18 GUN SYSTEM INSTALLATION

The F/A-18 M61A1 gun system (fig. 6-14) is internally mounted in the nose of the aircraft on the centerline. The fired projectiles exit the aircraft through the gun blast diffuser assembly, located just forward of the cockpit windscreen. Depending upon the mission objective, the gun can be operated in the air-to-ground (A/G) or air-to-air (A/A) computer mode. There are two A/G modes—continuously computed impact point (CCIP) and manual (MAN). There are three A/A

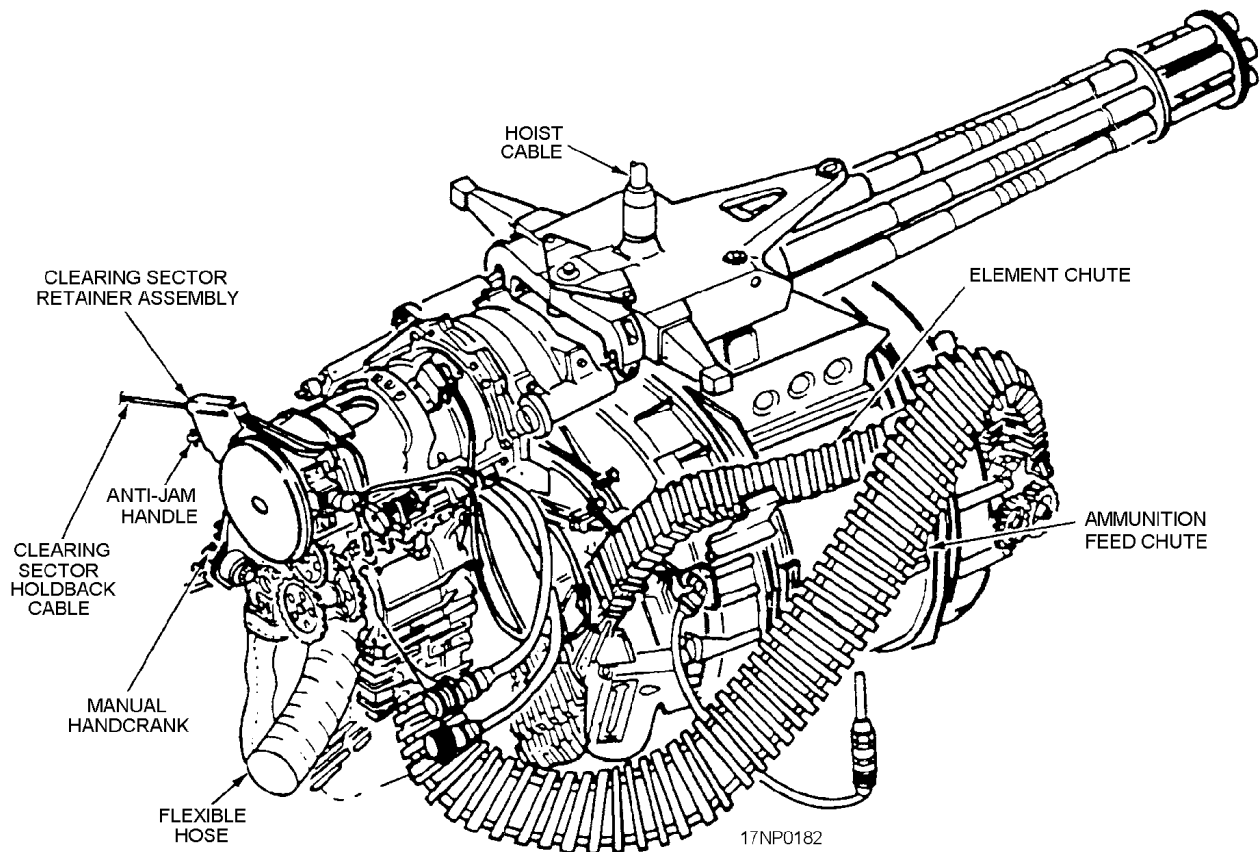


Figure 6-14.—F/A-18 M61A1 gun installation.

modes—director, disturbed, and cage. The pilot can select any one of the A/G or A/A modes while in flight.

The ammunition handling system holds a maximum of 578 rounds of ammunition. A round limiter, located in the gun compartment, can be preset to limit the total number of rounds the pilot can fire. The round limiter is used during training missions, and permits two or three gunnery missions from one gun load-out.

For example, ground maintenance personnel set the round limiter at 200 rounds. When the pilot has fired 200 rounds, the gun's electrical system automatically initiates the gun clearing cycle. This prevents further firing until ground maintenance personnel manually reset the round limiter.

While in flight, the pilot has the option of selecting unrestricted firing or presetting the number of rounds per burst. If the pilot selects unrestricted firing, the gunfire's continuously as long as the trigger is depressed and ammunition is available.

For example, if the pilot presets 50 rounds, the gunfire's bursts of 50 rounds each time the trigger is pulled and released. A display panel in the cockpit continuously indicates the number of rounds remaining.

The clearing sector retainer assembly (fig. 6-14) is used to manually clear the gun. When the manual clearing handle is in the cleared position, a wire rope assembly depresses the gun clearing sector assembly against the gun housing. This directs the breech-bolt assemblies into the clearing cam path when the gun is manually rotated. The manual clearing handle is held in the clearing position by a locking tab. **For safety reasons, the manual clearing handle should remain in the cleared position until you are actually performing gun-arming procedures.** When the gun access door is closed, you can determine the position of the manual clearing handle by the position of the indicator located on the door. If the indicator is flush with the door surface, the manual clearing handle is in the firing position. If the indicator protrudes from the door surface, the manual clearing handle is in the cleared position.

The entire gun system is handled as a single palletized unit. This includes the M61A1 gun, drum unit assembly, ammunition chutes, element chutes, and hydraulic motor. The system bolts directly to the aircraft structure with four bolts, and does not require any other boresighting or alignment. Other than minor

adjustments in the aircraft, all maintenance is performed at the intermediate-maintenance level. The system is removed from the aircraft as a unit by using gun-handling adapters, a weapon skid or trailer, and an Aero 14C bomb-hoisting unit. The bomb-hoisting unit is used to raise or lower the gun system as it is being removed or installed. A gun system hoist adapter, designed to support the hoist boom, is attached to the aircraft during the raising or lowering operation. A gun-handling adapter attached to a weapons skid or trailer, supports the gun system after it is removed from the aircraft.

For further information concerning the F/A-18 M61A1 gun installation, you should refer to *Description and Principles of Operation*, A1-F18AA-750-100; *Testing and Troubleshooting*, A1-F18AA-750-200; *Maintenance*, A1-F18AA-750-300; and *System Schematics*, A1-F18AA-750-500.

#### REVIEW NUMBER 4 ANSWERS

- A1. *The feed chute provides a path from the exit unit to the adapter assembly.*
- A2. *The return chute provides a path from the transfer unit to the entrance unit of the drum.*
- A3. *The gun gas purge system cools the barrels and purges gas from the gun compartment during gun-firing operations.*
- A4. *The gun gas purge systems of F/A-18 aircraft use engine bleed air and have additional gas control provided by a hydraulically actuated, ram-air scavenge door that opens automatically during gun-firing operation.*

#### F-14 GUN SYSTEM INSTALLATION

The F-14 M61A1 gun system (fig. 6-15) is mounted in the forward fuselage on the left side of the aircraft. Depending upon the mission objective, this gun system can be operated in an A/G mode, A/A mode, or an air combat maneuver (ACM) encounter mode. The computer pilot attack mode (ACM encounter mode) operates in conjunction with the weapon control system, computer signal data converter (CSDC), and the vertical display indicator system to display target data. The manual attack mode is normally used in the A/G mode. It is also used as the primary backup for the ACM encounter mode in case of system malfunction.

The M61A1 gun system accommodates a maximum of 676 rounds of 20-mm ammunition. There



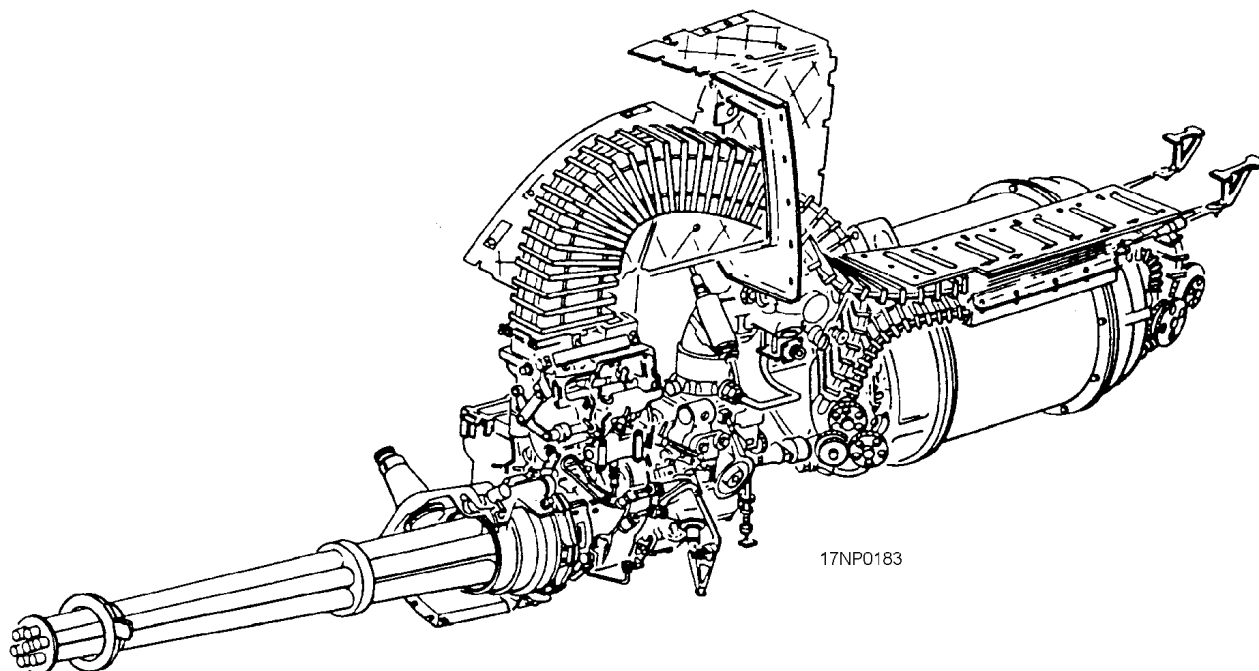


Figure 6-15.—F-14 M61A1 gun installation.

are 576 rounds in the drum and a total of 100 rounds in the chutes, transfer adapter assembly, and gun. The system can be set by ground maintenance personnel for unrestricted firing, or for rounds limit of 50, 100, or 200 rounds per burst. The HOOK/GUN panel contains a gun-rounds counter that gives a digital readout countdown of the rounds remaining in the gun system.

The clearing sector holdback assembly and safety pin (fig. 6-16) is used to clear the gun manually. With the clearing sector holdback assembly installed, the breech-bolt assemblies are diverted to the clearing cam path. Keep the clearing sector holdback assembly and safety pin installed until just before aircraft flight.

**REVIEW NUMBER 5**

- Q1. In F/A-18 aircraft, fired projectiles exit the aircraft through the gun blast diffuser assembly that is located \_\_\_\_\_.
- Q2. What maximum number of rounds does the M61A1 gun system hold when used on the F/A-18 aircraft?
- Q3. What component, located in the gun compartment, can be preset to limit the total number of rounds the pilot can fire?

- Q4. When used on F-14 aircraft, where is the M61A1 gun system mounted?
- Q5. What is the maximum capacity of the gun system when used on the F-14 aircraft?

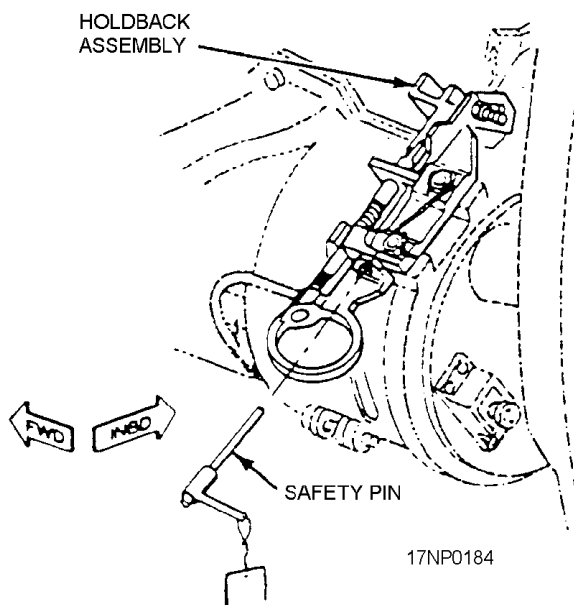


Figure 6-16.—F-14 clearing sector holdback assembly and safety pin.

## MAINTENANCE AND TESTING

**LEARNING OBJECTIVE:** *Identify maintenance and testing procedures at the organizational and intermediate levels.*

The maintenance and testing responsibilities of an M61A1 gun installation are distributed evenly between the organizational and intermediate levels of maintenance. The basic responsibilities of these two levels of maintenance are discussed in the following paragraphs.

### ORGANIZATIONAL MAINTENANCE

Organizational maintenance includes servicing (loading and unloading), preflight, postflight, minor periodic maintenance, malfunction troubleshooting, and removal and installation of components on the aircraft. Also, maintenance of the aircraft system and controls must be included in the AO's organizational responsibilities.

The gun firing record or log is kept at this level. The cumulative total of rounds fired is the basis for most of the maintenance. The number of rounds fired per firing flight is obtained from a counter located within the aircraft. For record accuracy, each time the gun installation is loaded, the counter must be reset (usually to zero) according to the instructions applicable to the aircraft. The two primary tasks that depend upon the round interval (rounds fired) are (1) torquing the two forward front track bolts (30,000 rounds), and (2) changing the breech-bolt assemblies (15,000 rounds).

Organizational responsibilities are **not** included in NAVAIR 11-95M61A1-1 or the NAVAIR 11-95M61A1-2. Organizational responsibilities are outlined in MRCs, aircraft MIMs, and aircraft loading manuals.

If a component is being removed for sudden stoppage (jam) maintenance, be careful and take extra precautions. Loose propellant powder from ruptured cartridge cases may be scattered about the gun compartment. This creates an extremely hazardous situation. The loose powder must be removed in a RADHAZ-free environment before you begin to remove a component.

### INTERMEDIATE MAINTENANCE

Intermediate maintenance responsibilities are tasks associated with repair or replacement of unserviceable or damaged assemblies, components, or parts of the gun installation that do not require the special

maintenance facilities of an overhaul depot. When a gun reaches a round interval of 120,000 rounds fired or require major repair or alteration, it is sent to a depot-level maintenance activity. The ammunition handling and gun drive system maintenance procedures are identical at both the intermediate- and depot-maintenance levels (with one exception, the depot level removes bearings); therefore, such maintenance is generally performed at the intermediate level. Intermediate maintenance may be divided into two categories—scheduled and unscheduled.

Scheduled maintenance includes inspecting, disassembling, replacing parts, lubricating, assembling, and functionally checking components based on the round interval specified in technical manuals. Scheduled gun maintenance begins at 15,000 rounds and proceeds through various interval states for different parts replacement up to the 120,000-round overhaul interval. Scheduled maintenance for the handling and drive system is set at an interval of 30,000 rounds.

### REVIEW NUMBER 6

- Q1. *The breech bolts are changed out when what number of rounds have been fired from the M61A1 gun system?*
- Q2. *What is the overhaul interval for the M61A1 gun?*
- Q3. *At what interval should scheduled maintenance for the handling and drive system be done?*

### SAFETY PRECAUTIONS

**LEARNING OBJECTIVE:** *Identify safety precautions to follow when working with the M61A1 gun.*

The weapons systems described in this chapter are safe systems. Live rounds are isolated from the firing circuits except when the gun system is deliberately being fired. The gun system is RADHAZ safe and completely shielded from radiation fields. The gun is charged and cleared in flight, so the aircraft can take off and land without live rounds in the firing position. Although the sole purpose of all ordnance is to destroy an enemy, the equipment cannot identify friend from foe. Therefore, all safety precautions must be followed at all times.

The following general safety precautions are not related to any specific equipment or procedure. These

precautions are recommended safety precautions that all personnel should follow when operating and maintaining equipment.

- All persons who supervise or perform work in connection with ammunition handling should be familiar with the *United States Ordnance Safety Precautions*, NAVSEA OP 3347.
- When test firing is conducted using live ammunition, observe all existing range regulations.
- Before undertaking any operation for which a check off list exists, the check off list is read so all personnel know what to do.
- When provided, always use safety devices to prevent accidents. Keep safety devices in good operating order at all times.
- Do not make changes, modifications, or additions to a weapons system without prior approval and authorization from the appropriate authority.
- A hazardous condition exists if a gun malfunction occurs and there is anything in line with the gun muzzle. Observe area clearance requirements during maintenance periods.
- Percussion can fire electrically primed ammunition. NEVER cycle live ammunition through a gun for testing purposes.
- The explosive elements in electric primers are highly sensitive to static electricity. Make sure the primer button does not come into contact with the human body.
- Observe fire regulations and maintain good ventilation when using cleaning solvents and other volatile maintenance materials.
- Before performing maintenance actions involving pneumatic or hydraulic pressurized components, ensure that all pressure is removed and the component is in the safest possible condition.

#### **REVIEW NUMBER 7**

*Q1. If a check off list is to be used during an operation, what action must take place first?*

*Q2. To prevent explosive primers on gun ammunition from being exposed to static electricity, what action should be taken?*

*Q3. When does a hazardous condition exist?*

#### **REVIEW NUMBER 5 ANSWERS**

*A1. In F/A-18 aircraft, fired projectiles exit the aircraft through the gun blast diffuser assembly that is located just forward of the cockpit windscreen.*

*A2. When used on the F/A-18 aircraft, the gun system holds a maximum of 578 rounds.*

*A3. A round limiter, located in the gun compartment, can be preset to limit the total number of rounds the pilot can fire.*

*A4. When used on F-14 aircraft, the M61A1 gun system is mounted in the forward fuselage on the left side of the aircraft.*

*A5. The maximum capacity of the gun system used on the F-14 aircraft is 676 rounds; 576 rounds in the drum and 100 rounds in the chute.*

#### **REVIEW NUMBER 6 ANSWERS**

*A1. The breech bolts are changed out when 15,000 rounds have been fired from the M61A1 gun system.*

*A2. The overhaul interval for the M61A1 gun is 120,000 rounds.*

*A3. Scheduled maintenance for the handling and drive system of the LALS should be done when the gun has fired 30,000 rounds.*

#### **REVIEW NUMBER 7 ANSWERS**

*A1. If a check off list is to be used during an operation, it must be read to all personnel who will take part in the operation.*

*A2. To prevent explosive primers on gun ammunition from being exposed to static electricity, make sure that the primer button of the ammunition doesn't come into contact with the human body.*

*A3. A hazardous condition exists if a gun malfunctions and there is anything in line with the gun muzzle.*



## CHAPTER 7

# AMMUNITION LOADING

Aircraft gun ammunition is developed for specific types of aircraft-mounted guns. The M61A1/A2 uses M50/PGU series 20-mm ammunition. The M50/PGU series consists of various types of cartridges developed for specific applications, including test cartridges, dummy cartridges, target practice, target practice tracer, armor piercing incendiary, high-explosive incendiary, and semi-armor piercing, high-explosive incendiary. Blank and dummy rounds are also used for practice and maintenance.

The M50/PGU series 20-mm ammunition is loaded into the M61A1/A2 gun through the linkless ammunition loading system (LALS) series. The LALS transports rounds from the transporter to the aircraft system, and simultaneously transports spent cases and cleared rounds from the aircraft system to the transporter.

### AIRCRAFT GUN AMMUNITION

**LEARNING OBJECTIVE:** *Describe the 20-mm M50/PGU aircraft gun ammunition configuration. Identify M50/PGU 20-mm gun cartridges and describe their uses.*

### M50 CONFIGURATION AMMUNITION

M50 configuration ammunition (fig. 7-1) for the M61A1/A2 Navy aircraft gun is issued in the form of cartridges (rounds). A complete service cartridge assembly consists of a cartridge case, electric primer, propellant, projectile, and fuze. All service cartridges have matched ballistics and are electrically primed.

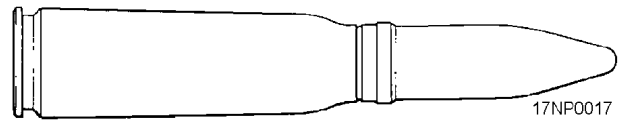


Figure 7-1.—M50 configuration cartridge.

### CLASSIFICATION

The M50 configuration ammunition currently issued is classified as follows:

1. Dummy Cartridge M51A1B1, M51A2 (steel), or M254 (plastic)
2. High-Pressure Test Cartridge, M54A1 (HPT)
3. Target Practice Cartridge, M55A2 (TP)
4. High-Explosive Incendiary Cartridge, M56A3 (HEI)
5. Target Practice-Tracer Cartridge, M220 (TP-T)
6. High-Explosive Incendiary-Tracer Cartridge, M242 (HEI-T)

### CARTRIDGE COMPONENTS, GENERAL DESCRIPTION

The cartridge components for M50-configured ammunition as used in a complete round are discussed in the following paragraphs.

#### Cartridge Case

The M103 (brass) and the M103B1 (steel) cartridge cases (fig. 7-2) are marked longitudinally. The

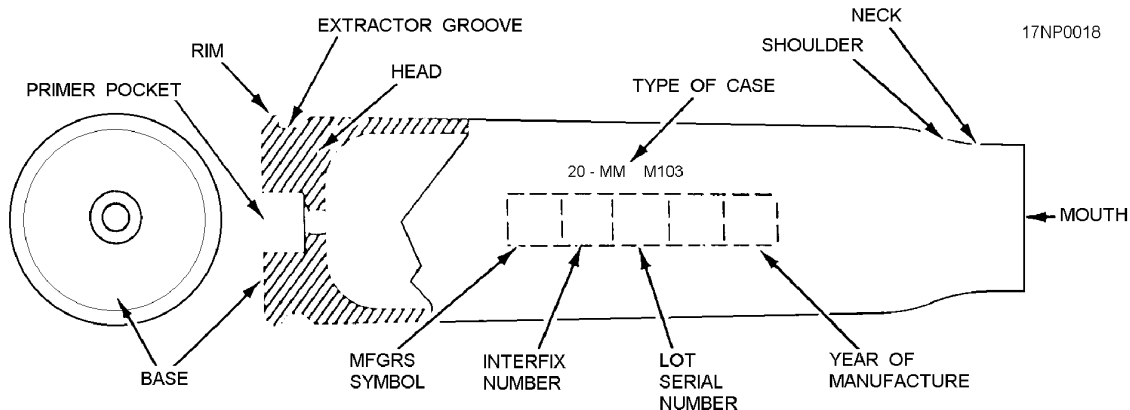


Figure 7-2.—M103 (brass) and M103B1 (steel) cartridge cases.

caliber/case designation is on the first line. The manufacturer symbol, interfix number, lot serial number, and year of manufacture are on the second line. The M103 case is loaded for use with all service ammunition, and the M103B1 is used with the M51A1B1/M51A2 dummy cartridges.

### Propellant

All M50-configured cartridges are loaded with (double-base) ball spherical propellant WC 870 or 872.

### M52A3B1 Electric Primer

The electric primer is used in all current M50 configurations. It consists of an open-ended brass cup that contains a brass button insulated from the cup by a plastic liner. The firing pin of the gun contacts this button. The ignition charge (a conductive explosive mixture) is in contact with the other side of the button, and is retained by a paper disk and a metal support cup. The electrically initiated primer ignites the propellant charge.

**NOTE:** The primer explosive element is sensitive to electromagnetic and electrostatic energy.

### Projectiles

All projectiles, except the HPT, have essentially the same external configuration. The rotating band is a copper alloy swaged into a circumferential groove near the aft end of the steel body.

### Fuze M505A3 Point-Detonating (PD)

The PD fuze (fig. 7-3) consists of a body assembly, a rotor assembly, and a booster assembly. The fuze has a delayed arming distance of 20 to 35 feet after it leaves the muzzle of the gun. Before firing the HEI projectile, the rotor and the firing pin are locked in position by the rotor safety spring. (The rotor contains the detonator, which is out of line with the firing pin.) Centrifugal force causes the spring to open, allowing the rotor to move in-line with the firing pin. The fuze functions when the nose of the fuze is crushed against the target, forcing the firing pin against the detonator. The detonator, in turn, initiates the booster. The booster detonates and initiates the projectile's explosive charge.

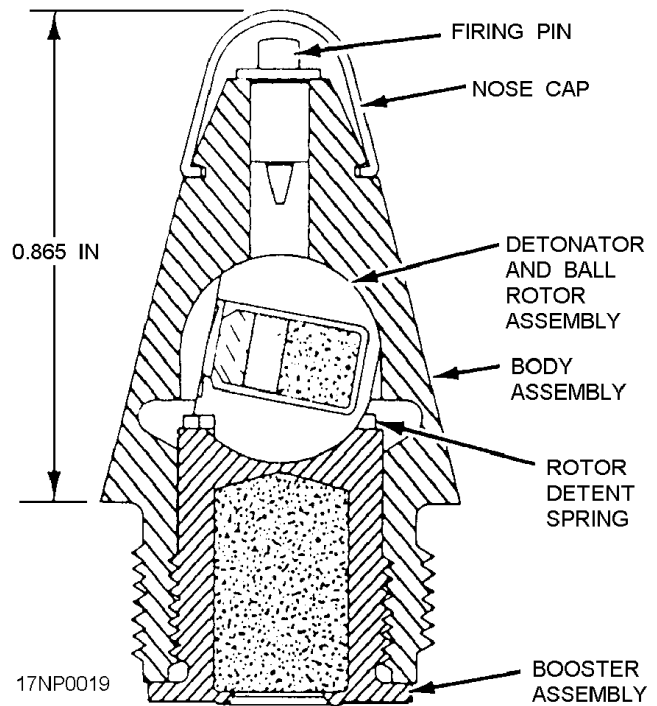


Figure 7-3.—M505A3 point-detonating fuze (unarmed).

### Tracer

A tracer mix is direct-loaded into a cavity machined in the base of the TP-T and HEI-T projectiles. It is used in assembling the M220 and M242 cartridges, respectively. The heat and pressure of the propelling charge ignite the tracer. The tracer is visible for about 1,280 yards of projectile flight.

### M51A1B1/M51A2 DUMMY CARTRIDGES

Dummy cartridges are completely inert assemblies. They are used for drill and testing the feeder assembly of a weapon. The dummy cartridge is assembled with the M51A1B1/M51A2 projectile and M103B1 cartridge case to simulate the service cartridge. The two cartridges are the same **except** for a change to the annulus/primer pocket. The cartridge contains approximately 635 grains of inert material. This material produces an average overall weight equal to that of the other M50-configured ammunition.

### M254 DUMMY CARTRIDGE

The M254 cartridge is made of plastic. It is an alternate to the M51A1B1/M51A2 steel dummy

cartridge. You can tell the difference between the M254 and live ammunition by its appearance and by the feel of its nylon composition. M50 configuration characteristics are shown in table 7-1.

**M54A1 HIGH-PRESSURE TEST CARTRIDGE**

The M54A1 cartridge is used only for proof firing of the gun at the place of manufacture. The projectile is made from a solid steel bar. It has a standard rotating band. The M103 or M103B1 cartridge case is used with the M52A3B1 electric primer.

**M55A2 TARGET PRACTICE CARTRIDGE**

The M55A2 cartridge has no explosive filler in the projectile. The solid nose is made of aluminum alloy. The projectile shape and ballistic properties are similar to those of the other M50-configured ammunition. The cartridge is used for practice firing, boresighting weapons, and testing new guns. The M103 cartridge case and M52A3B1 electric primer make up this cartridge.

**M56A3 HIGH-EXPLOSIVE INCENDIARY CARTRIDGE**

The M56A3 or M56A4 projectile is used in the M56A3 cartridge. The projectile is loaded with an incendiary and explosive composition, giving the combined effect of the blast of a high-explosive charge plus a fire-starting ability.

Both the M56A3 and M56A4 are loaded with aluminized composition A-4. The major difference between the projectiles is their construction. The M56A3 has a baseplate to prevent ignition of the HEI charge by the propellant. The M56A4 does not have the baseplate, and it has approximately 10 more grains of A-4. Both cartridges use the M103 case, M52A3B1 electric primer, and the M505A3 PD fuze.

**M220 TARGET PRACTICE-TRACER CARTRIDGE**

The M221 projectile is used with the M220 cartridge. The M221 projectile is similar to the M55A2

**Table 7-1.—M50 Configuration Ammunition Characteristics**

Cartridge		Approximate Unit Weight (grains)				Total wt. (grains) (approx.)	Remarks
Designation	Type	M103 case	M52A3B1 Electric primer	Propellant	Projectile		
M51A1B1/ M51A2	Dummy	1,775	None	635 (inert)	1,520	3,850 (min)	M103A1 Steel case
M54A1	HPT	1,855	22	590	1,965	4,392	
M55A2	TP	1,855	22	590	1,521	3,935	
M56A3	HEI	1,855	22	590	1,565	3,965	M505A3 fuze required
M220	TP-T	1,855	22	590	1,470	3,935	
M242	HEI-T	1,855	22	590	1,535	3,865	M505A3 fuze required
M254	Dummy	n/a	None	None	n/a	4,005	Plastic

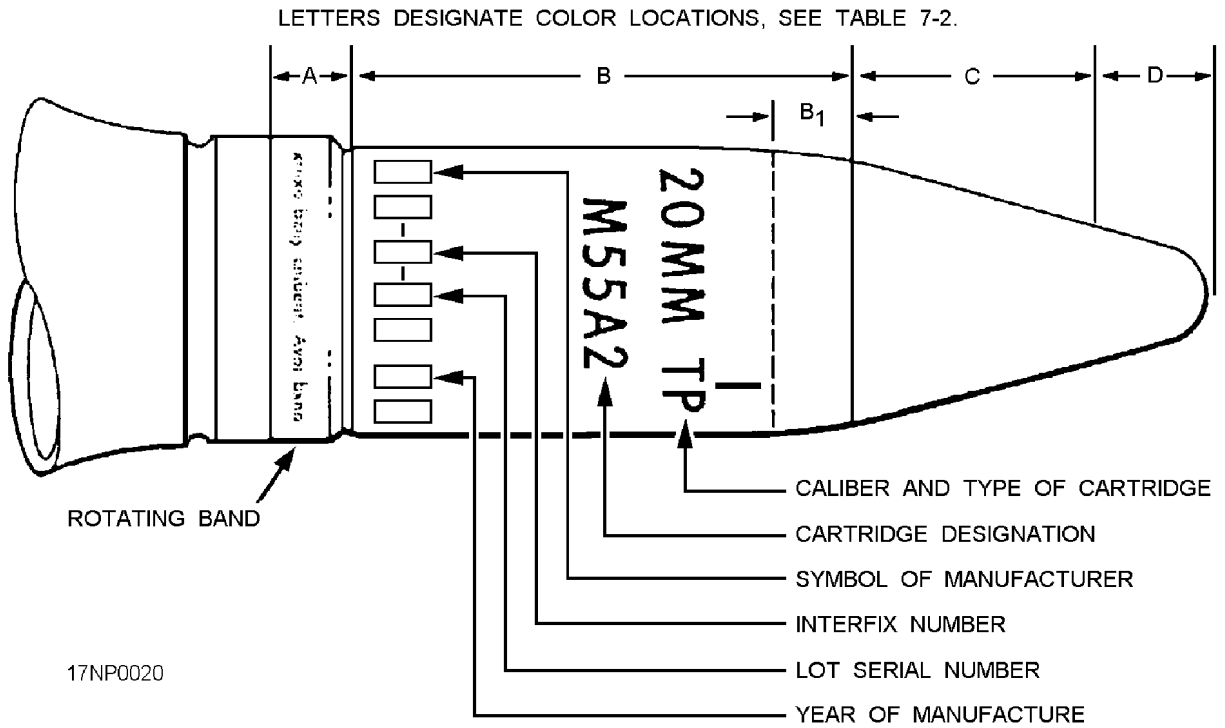


Figure 7-4.—Example of color coding and marking for M50 configuration ammunition.

Table 7-2.—Color Coding and Marking for M50 Configuration Ammunition

Projectile Type (Expect as noted)	Color of Painting				Color of Marking
	Locations (See Figure 7-4)				
	A	B	C	D	
Dummy M51A1B1/M51A2	Chromate finish	Chromate finish	Chromate finish	Chromate finish	Black
High Pressure Test M54A1 (HPT)	No paint (copper)	Purple	Purple	Purple	Black
Target Practice (TP) M55A2/M55A2B1 M55A3/M55A3B1	No paint (copper)	Blue	Blue	Blue	White
High Explosive Incendiary (HEI) M56A3/M56A4	No paint (copper)	Yellow Red band in B <sub>1</sub> area	No paint (chromate)	No paint (chromate)	Black
Target Practice Tracer (TP-T) M221 (M220 cartridge)	No paint (copper)	Blue	Blue	Blue	White with Orange T's (at location B <sub>1</sub> )
High Explosive Incendiary-Tracer (HEI-T) M242	No paint (copper)	Yellow Red band in B <sub>1</sub> area	No paint (chromate)	No paint (chromate)	Black with Red T's (below B <sub>1</sub> )
Plastic Dummy Cartridge M254	No paint (white plastic)	No paint (white plastic)	No paint (white plastic)	No paint (white plastic)	Black



projectile, except it incorporates a tracer in the base of the projectile.

## **M242 HIGH-EXPLOSIVE INCENDIARY-TRACER CARTRIDGE**

The M242 projectile is used with the M242 cartridge. The projectile has a tracer in the base and aluminized composition A-4 in the forward section. It has a combined effect of a high-explosive charge plus a fire-starting ability. The projectile is assembled with the M505A3 PD fuze, the M103 case, and the M52A3B1 electric primer.

### **IDENTIFICATION**

Ammunition is identified by the color the projectile is painted and by the lettering on the body of the projectile.

#### **Lettering**

The lettering (fig. 7-4) is stenciled in waterproof marking ink around the body of the projectile. The first line of lettering identifies the caliber and type of cartridge; for example, 20MM HEI, 20MM TP, or 20MM HEI-T. The second line gives the cartridge designation; for example, M254, M55A2, or M220. The last line consists of a code number that identifies the manufacturer, interfix number, lot serial number, and year of manufacture. The color of the letters has no meaning.

#### **Color Coding**

The color codes for the M50-configured 20-mm ammunition are listed in table 7-2. You can see exactly where colors are located on the projectile. The projectile (fig. 7-4) is divided into sections marked A, B, C, and D. The sections on the projectile match the color code to columns in the figure.

By looking at table 7-2, you can identify high-explosive incendiary-tracer round M242. First, find the projectile and its color code in column A. Then, look at section A of the projectile. This section of the projectile isn't painted; therefore, section A of the projectile remains the natural color of the metal (copper). Look at column B and find the color for section B. Refer to section B of the projectile. This area is painted yellow (high explosives), and section B1 is painted red (incendiary). Use the same procedures for sections C and D. Also note the red T markings in the section B area just outside of the B1 section. The red T, and in some cases orange T, shows the presence of an incendiary explosive (tracer).

### **PGU CONFIGURATION AMMUNITION**

The improved 20-mm (PGU) configuration ammunition for the M61A1/A2 aircraft guns is issued in the form of cartridges (fig 7-5). All service cartridges have matched ballistics and are electrically primed. Initially procured ammunition is not graded, and all accepted lots are serviceable for issue and use in applicable weapons.

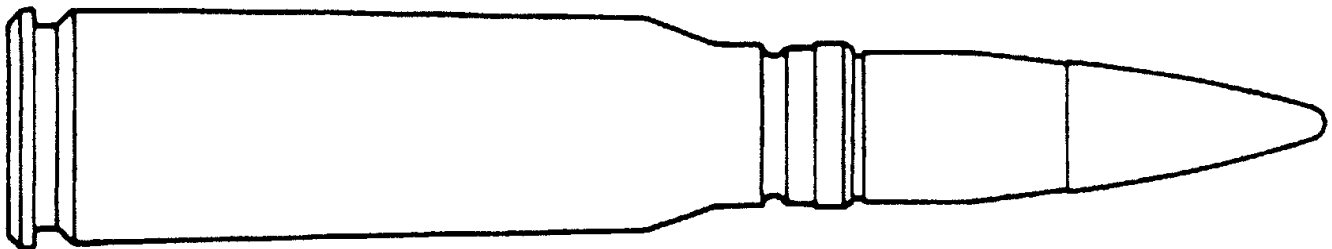
### **CLASSIFICATION**

The PGU configuration ammunition currently issued is classified as follows:

1. Target Practice Cartridge PGU-27/B
2. Semi-armor Piercing High Explosive Incendiary Cartridge PGU-28/B (SAPHEI)
3. Target Practice-Tracer Cartridge PGU-30/B (TP-T)

### **CARTRIDGE COMPONENTS, GENERAL DESCRIPTION**

The cartridge components for PGU-configured ammunition as used in a complete round are discussed in the following paragraphs.



AO10705

**Figure 7-5.—PGU configuration cartridge.**



## Cartridge Case

The M103 brass cartridge cases (fig. 7-6) are marked longitudinally or circumferentially with the caliber/case designation on the first line. The manufacturer symbol is on the second line. The interfix number, lot serial number, and year of manufacture are on the third line.

## Propellant

All PGU-configured cartridges are loaded with ball spherical propellant WC 867.

## M52A3B1 Electric Primer

The electric primer is used in all current PGU configurations. It consists of an open-ended brass cup that contains a brass button insulated from the cup by a plastic liner. The firing pin of the gun contacts this button. The ignition charge (a conductive explosive mixture) is in contact with the other side of the button, and is retained by a paper disk and a metal support cup. The electrically initiated primer ignites the propellant charge.

**NOTE:** The primer explosive element is sensitive to electromagnetic and electrostatic energy.

## Projectiles

All projectiles have essentially the same external configuration. The rotating band is copper alloy swaged into a circumferential groove near the aft end of the steel body.

## PGU-27/B Target Practice (TP)

The PGU-27/B projectile consists of a steel body with a solid aluminum nosepiece swaged or crimped to the steel body.

## PGU-28/B Semi-Armor Piercing High Explosive Incendiary (SAPHEI)

The PGU-28/B projectile consists of a steel body with an internal cavity filled with a sponge Zirconium pallet, composition A-4 and RS 40 incendiary mix. The aluminum nose contains RS 41 incendiary mix and is swaged to the steel body.

## PGU-30/B Target Practice-Tracer (TP-T)

The PGU-30/B consists of a steel body with an aft cavity containing the tracer pellet. The aluminum nose is swaged or crimped to the steel body.

## Tracer

A tracer pellet is loaded into a cavity machined in the base of the TP-T projectile used in the assembling of the PGU-30/B cartridge. The heat and pressure of the propelling charge ignite the tracer pellet. The tracer is visible for approximately 3.2 seconds during projectile flight.

## PGU-27/B TARGET PRACTICE CARTRIDGE

This cartridge (fig. 7-7) has no explosive filler in the projectile. The cartridge is used in practice firing, for boresighting of weapons, and testing of new guns. The projectile shape and ballistic properties are similar to those of other PGU configuration ammunition. PGU configuration ammunition characteristics are shown in table 7-3.

Table 7-3.—PGU Configuration Ammunition Characteristics

Cartridge		Approximate Unit Weight (grains)				Total wt. (grains) (approx.)
Designation	Type	M103 case	M52A3B1 Electric primer	Propellant	Projectile	
PGU-27/B	TP	1,855	22	585	1,550	3,900
PGU-28/B	SAPHEI	1,855	22	585	1,580	3,900
PGU-30/B	TP-T	1,855	22	585	1,554	3,900

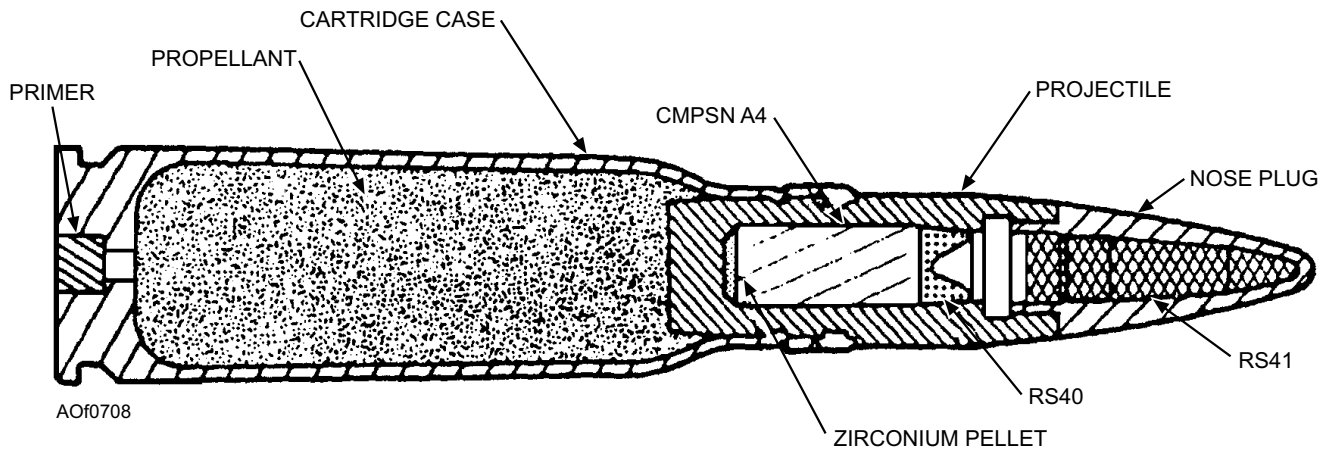


Figure 7-8.—PGU-28/B Semi-Armor Piercing High Explosive Incendiary.

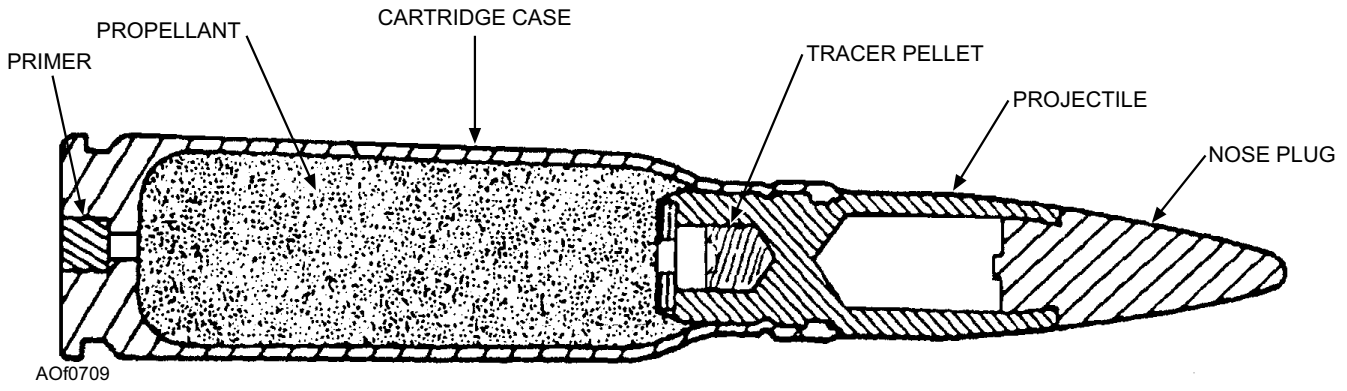


Figure 7-9.—PGU-30/B Target Practice-Tracer.

**PGU-28/B SEMI-ARMOR PIERCING HIGH EXPLOSIVE INCENDIARY CARTRIDGE**

This cartridge (fig. 7-8) is for use against aircraft and light material targets, and functions with semi-armor piercing, high explosive, and incendiary effect.

**PGU-30/B TARGET PRACTICE-TRACER CARTRIDGE**

This cartridge (fig. 7-9) is virtually the same as the PGU-27/B projectile, except it incorporates a tracer in the base of the projectile.

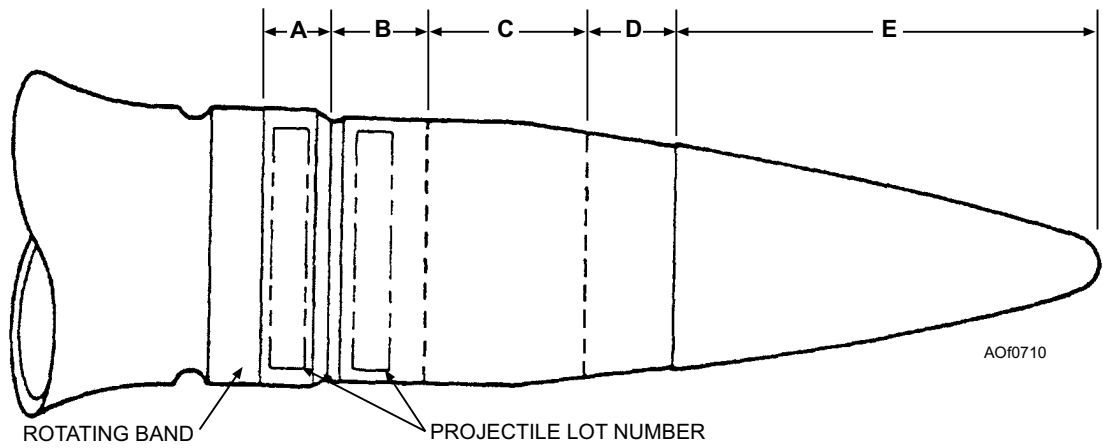


Figure 7-10.—Color Coding and Marking for PGU Configuration Ammunition.

Table 7-4.—Color Coding and Marking for PGU Configuration Ammunition.

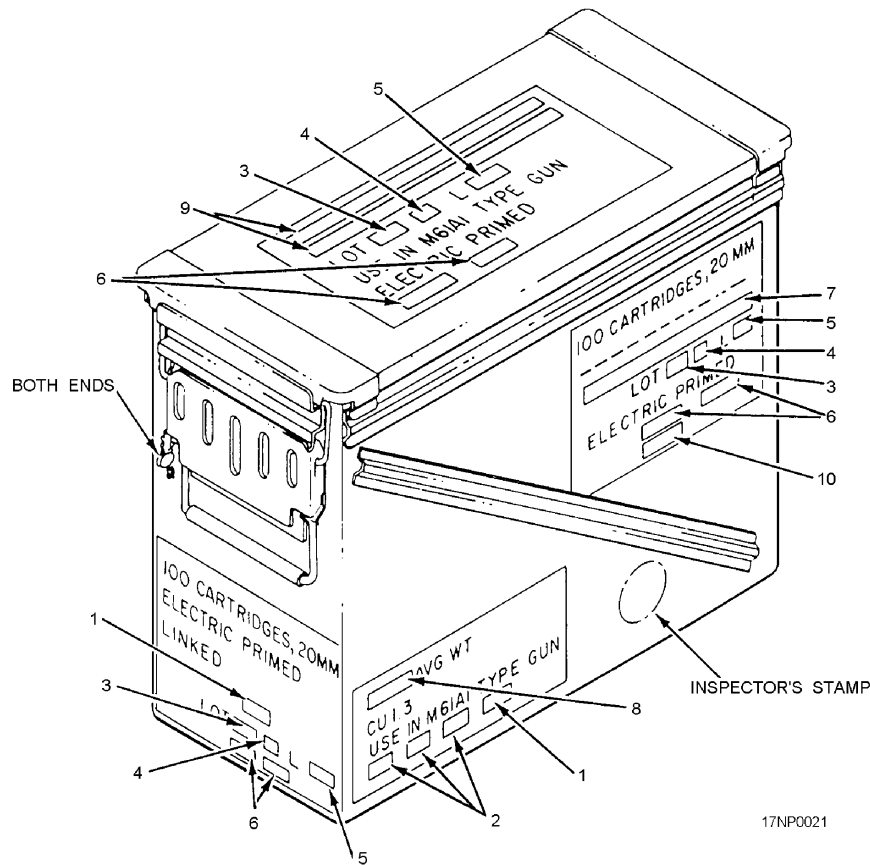
Projectile Type	Color of Painting					Color of Marking
	Locations (See Figure 7-10)					
	A	B	C	D	E	
Target Practice (TP) PGU-27/B	No paint (copper)	Blue	Blue	Blue	Blue	White
Semi-Armor Piercing High Explosive Incendiary (SAPHEI) PGU-28/B	No paint (copper)	Black	Yellow	Red	No paint (chromate)	White
Target Practice Tracer (TP-T) PGU-30/B	No paint (copper)	Blue	Blue	Blue	Blue	White with Orange T's (location D)

### PGU IDENTIFICATION

Ammunition type is identified by the color the projectile is painted and by the lettering on the body of the projectile. Refer to (fig. 7-10 and table 7-4) for PGU ammunition identification.

### AMMUNITION CONTAINER M548

The M548 container (fig. 7-11) is made of metal. Quick-release latches at both ends attach the lid. Required information about the ammunition contained inside is listed on the outside of the container. Do not break the moisture-resistant seal between the lid and the container until the ammunition is to be used.



- 1. DOD cartridge identification code
- 2. Federal stock number of cartridge
- 3. Symbol of cartridge manufacturer
- 4. "S" if steel cartridge case
- 5. Lot number of cartridge
- 6. Month and year of cartridge manufacture
- 7. Type and model of cartridge
- 8. Average weight of packed container
- 9. Type of projectile
- 10. Coast Guard classification

Figure 7-11.—Ammunition container M548 (typical).

**NOTE:** M50/PGU series ammunition is normally packed in the M548 container, as loose rounds (not prebelted). The Linkless Ammunition Loading System (LALS) eliminated the requirement for prebelted ammunition.

The rounds are packed in the container in layers. There are cardboard partitions between each layer and between the rounds on all sides of the container. Each round has a tubular-shaped cardboard protector around the projectile. Use these cardboard partitions and tubular protectors when repackaging the ammunition in the containers.

### **LINKLESS AMMUNITION LOADING SYSTEM (MHU SERIES)**

**LEARNING OBJECTIVE:** *Identify the components of the linkless ammunition loading system to include loader ammunition transporter, drum loader and drum unload assemblies, and the conveyor system. Identify the operating procedures to follow when loading/downloading the transporter and aircraft gun system.*

The Linkless Ammunition Loading System (LALS) (fig. 7-12) consists of a loader ammunition

transporter MHU-131/E32K, a drum loader assembly MHU-133/E32K, a conveyor system MHU-130/E32K, and a drum unload assembly MHU-132/E32K. The components of the LALS allow 1,400 rounds of electrically primed, M50/PGU-series ammunition to be handled without the use of links while the ammunition is still RADHAZ safe. The system is used to transport ammunition, load and download aircraft, and load and download the loader ammunition transporter.

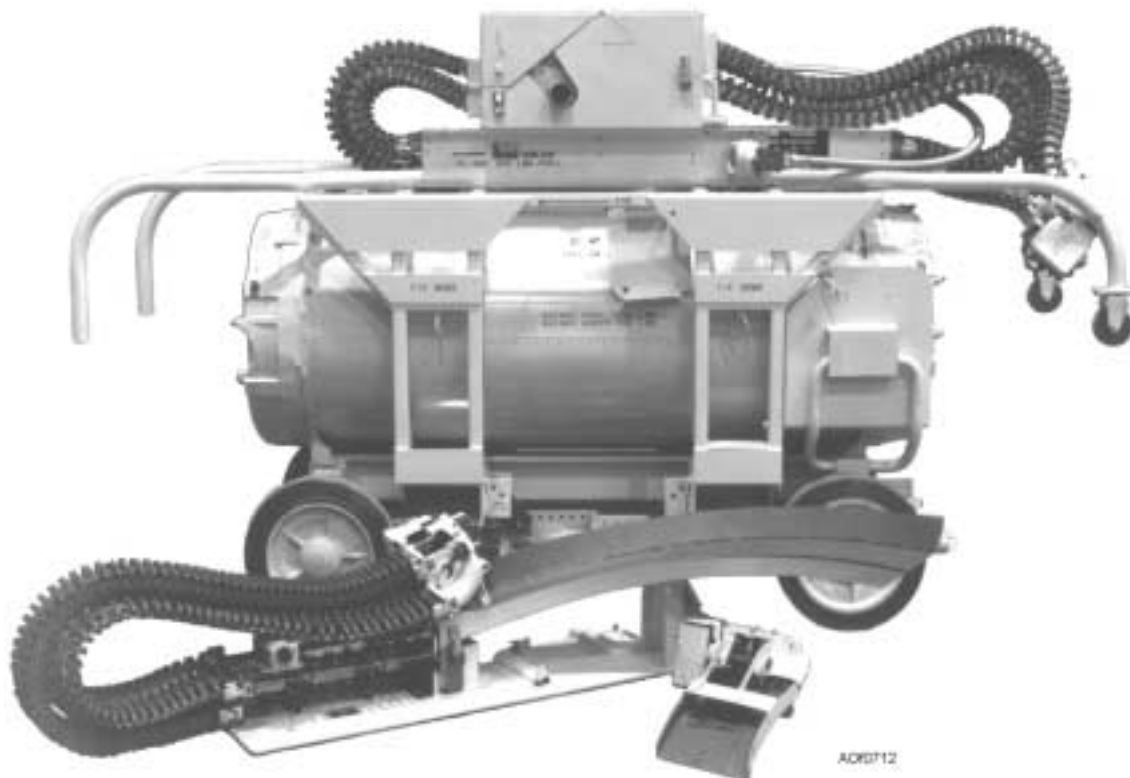
### **COMPONENTS**

A brief description of the components in the Linkless Ammunition Loading System (LALS) is contained in the following paragraphs.

#### **Loader Ammunition Transporter MHU-131/E32K**

Unfired rounds and/or empty cases are stored in the loader ammunition transporter, also known as the *transporter* (fig. 7-13). The transporter is primarily intended to move rounds/cases through the exit and entrance ends during operation. Except for size, the transporter is similar to the aircraft drum assembly.

The transporter can be locked onto the MHU-191/M transporter or stacked three high for storage purposes. The transporter has an ammunition drum mounted in a rigid-frame drum adapter assembly.



**Figure 7-12.—Linkless ammunition loading system (LALS).**

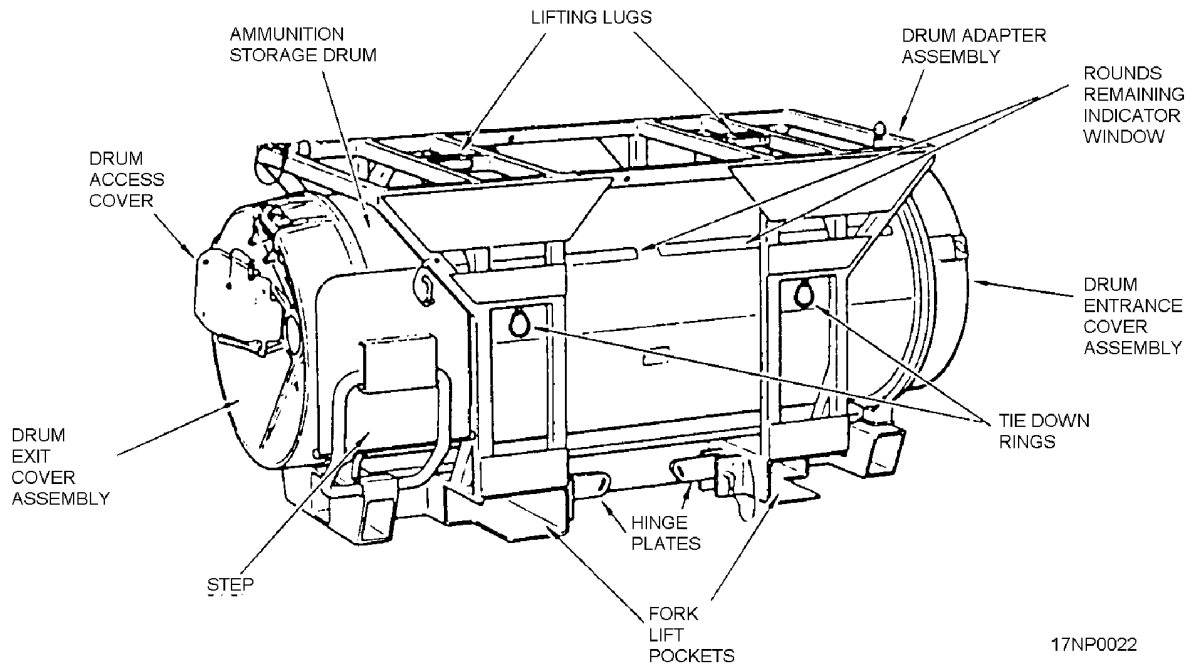


Figure 7-13.—Transporter.

The drum adapter assembly is a box-type structure that allows the transporters to be stacked. Four hinge plates and four quick-release pins are used to lock the transporter onto the MHU-191/M transporter. Two lifting lugs (on 30-inch centers) mate with a weapons carrier so that an overhead crane can be used to lift the transporter. Additionally, there are two forklift pockets that allow the forklift truck to move the transporter. There are four tie-down rings to secure the transporter to the deck. Foldout steps, if needed, are located at the exit end of the transporter to provide personnel with the additional height to operate the LALS.

The ammunition drum is a cylindrical structure that consists of an outer drum structure, an inner drum, two scoop disk assemblies, and two cover assemblies.

**OUTER DRUM.**—The outer drum is a storage container for ammunition, and it provides a housing for the inner drum. There is a rounds-remaining indicator window so you can determine the number of rounds remaining in the drum. The drum partitions, mounted longitudinally within the outer drum to hold the rounds in place, hold the rounds radially around the outer drum with their bases in an outward direction.

**INNER DRUM.**—The inner drum is a welded assembly with a mounting ring at each end. There are sheet metal leaves welded to the outer surface of the core that form a double-lead helix. When the inner drum is rotated, it moves the rounds along the drum

partitions from the entrance end to the exit end of the drum.

**SCOOP DISK ASSEMBLIES.**—A scoop disk assembly is mounted on each end of the inner drum. There are three rails on the scoop disk assemblies, forming a continuation of the inner drum helix. Also, two sets of gear-driven sprockets and scoop extensions are located on the scoop disks 180 degrees apart. These sprockets and scoop extensions transfer the rounds from the entrance cover to the outer drum partitions and from the outer drum partitions to the exit cover. The entrance scoop disk has two pins that hold the scoop extensions closed when they are activated by a cam in the outer drum. This prevents feeding rounds into the empty space where the drum partitions cannot control the rounds.

**DRUM COVER ASSEMBLIES.**—A drum cover assembly is mounted on each end of the outer drum. The drum cover assemblies accept rounds from the entrance unit, load units, or from the scoop disk assembly. It then places the rounds into the scoop disk assembly (entrance end) or exit unit, respectively. The retainer partitions on the retainer gear maintain control of the rounds between the scoop disk assemblies and the entrance or exit units. A spring-loaded timing pin on each drum cover is used to index the drum during installation of the entrance and exit units. The exit drum cover assembly also contains brackets for mounting a drive assembly.

## Drum Loader Assembly MHU-133/E32K

The drum loader assembly (fig. 7-14) is used to load the transporter with unlinked ammunition. The drum loader assembly places the unlinked rounds into the conveyor elements, which carry the rounds to the load unit assembly. The load unit assembly removes the rounds from the elements and places them into the retainer partitions in the entrance drum cover. You can time the load unit assembly by inserting a pin through the cover, through a hole in one of the gears, and into a hole in the housing. The drum loader consists of a load tray (onto which the rounds are placed), a belt of elements, two chutes (which control the rounds and elements when they are between the tray and the load unit), and a load unit assembly. The load unit assembly contains two gear-driven sprocket assemblies that transfer the rounds from the belt of elements to the drum cover partitions and a gearbox that drives the drum loader assembly. The gearbox can be driven by a 1/2-inch drive hand crank, making it easier to transport the rounds. A resettable counter indicates the number of rounds that have been loaded into the transporter.

## Drum Unload Assembly MHU-132/E32K

The drum unload assembly (fig. 7-15) removes rounds and/or spent cases from the transporter and separates them from each other. The drum unload assembly contains a gear-driven sprocket that removes the rounds/spent cases from the drum exit cover and places them on a tray. The tray has a hole that lets spent

cases drop through while the rounds must travel the length of the tray. You can time the drum unload assembly by inserting a pin through the cover, through a hole in one of the gears, and into a hole in the housing.

## Conveyor System MHU-130/E32K

The conveyor system (fig. 7-16) transports rounds from the transporter to the aircraft system. It simultaneously transports spent cases and cleared rounds from the aircraft system to the transporter. The conveyor system is mounted on the top of the transporter. It consists of a chute support assembly, three ammunition chutes, two element chutes, an exit unit assembly, an interface unit assembly, an entrance unit assembly, and a drum drive assembly that is driven by a flexible drive shaft.

**CHUTE SUPPORT ASSEMBLY.**—The chute support assembly is a rigid structure that supports other units. It also provides stowage for other units when they aren't in use. A portion of the chute that is required for the control of spent cases and elements is a rigid wire-form chute. This chute is part of the chute support assembly. Casters are provided on one end of the chute support assembly to aid in moving the assembly when it is not mounted on a transporter.

**CHUTES.**—The ammunition and element chutes control the elements and rounds or spent cases when the system is operating. The chutes are flexible enough to permit interconnection of the various units.

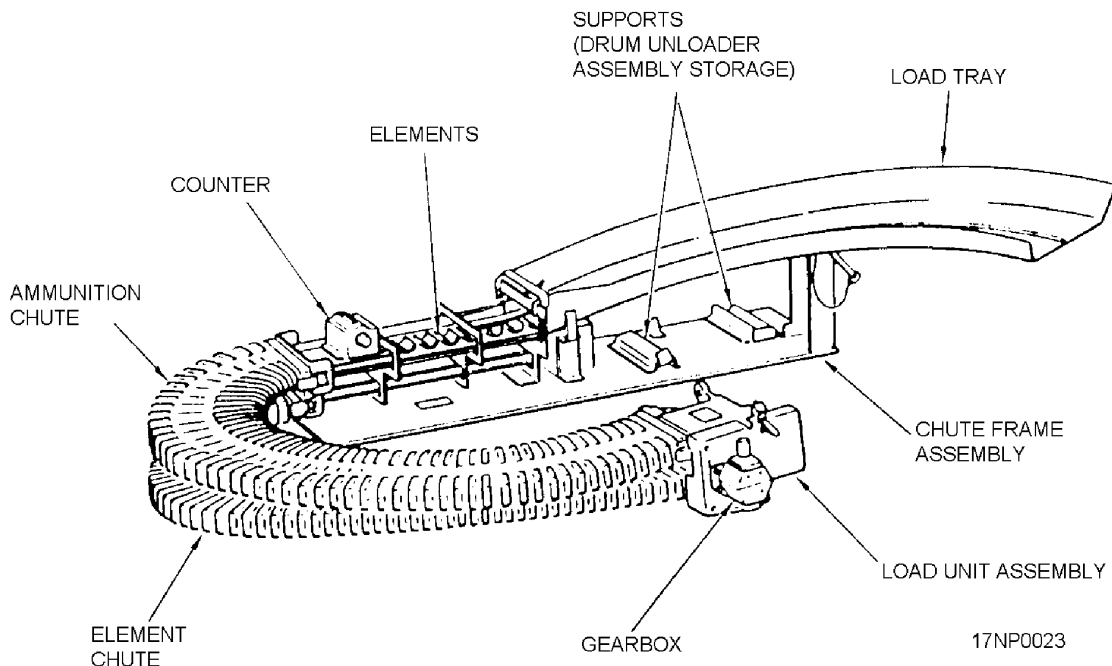


Figure 7-14.—Drum loader.



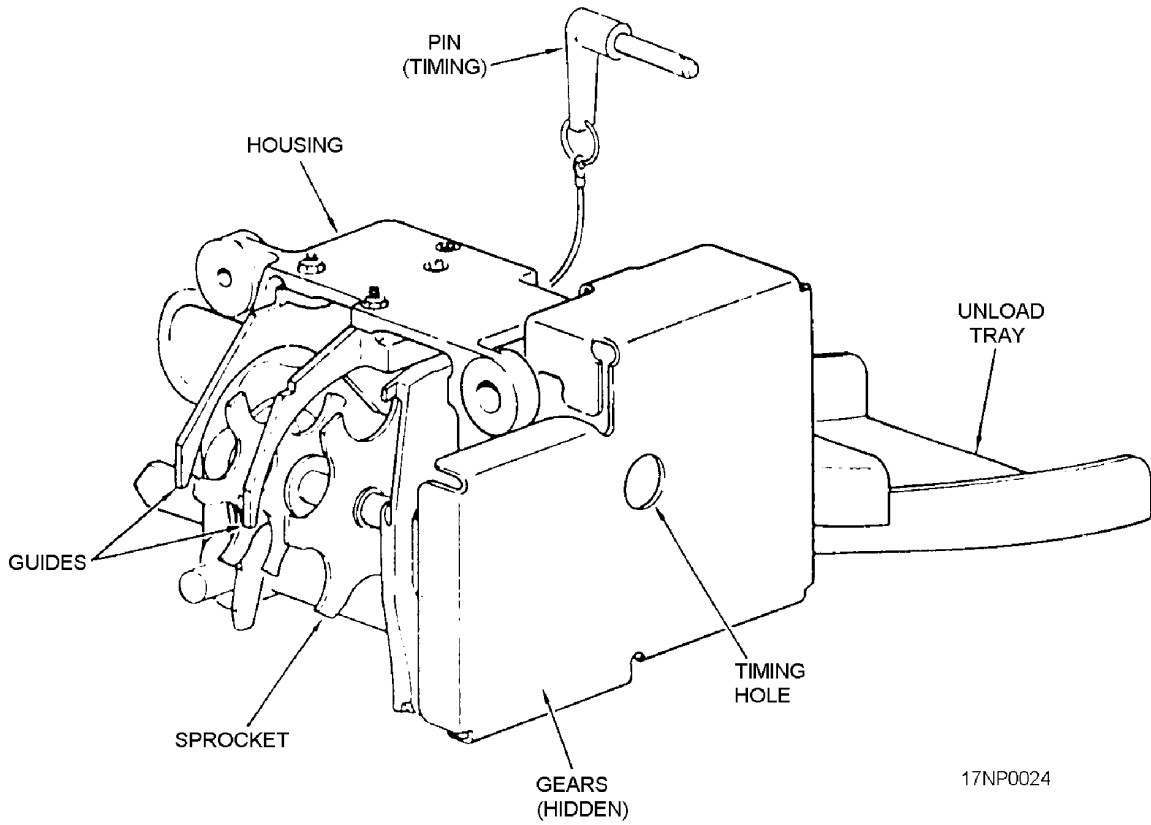


Figure 7-15.—Drum unloader.

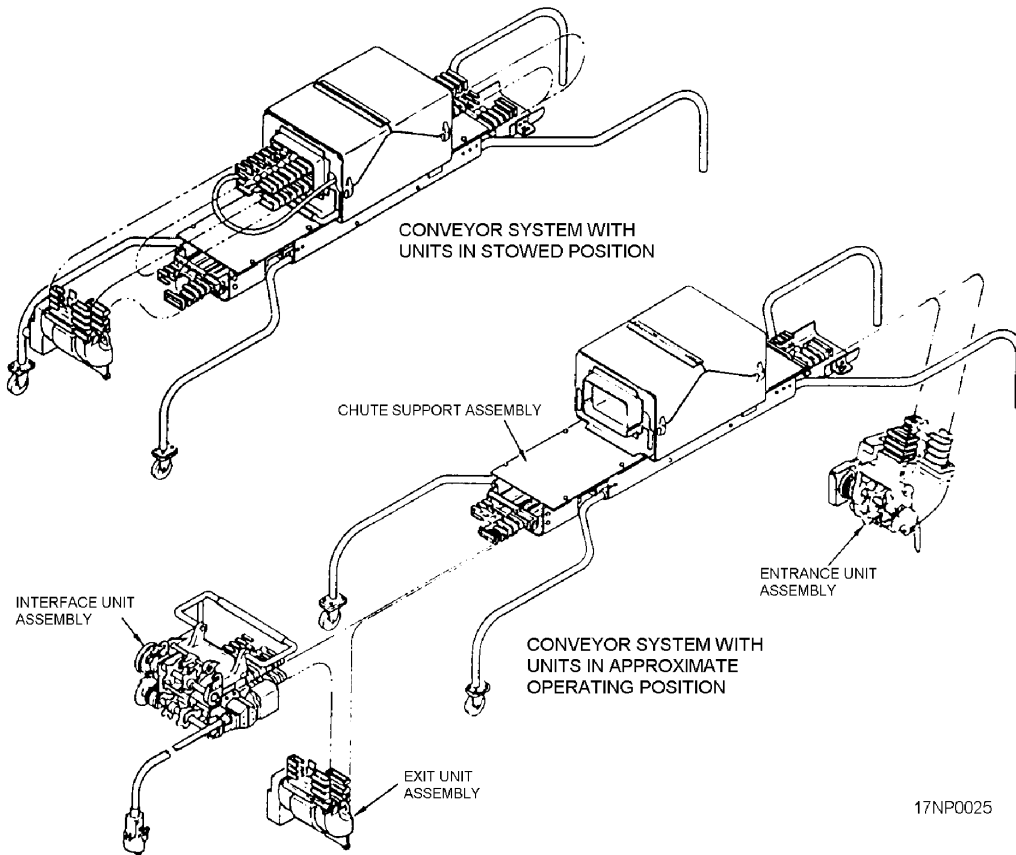


Figure 7-16.—Conveyor system.

**EXIT UNIT ASSEMBLY.**—The exit unit assembly removes rounds from the transporter and places them into the elements. Two gear-driven sprocket assemblies are used to transfer the rounds from the transporter to the elements. You can time the exit unit assembly by inserting a pin through the cover, through a hole in one of the gears, and into a hole in the housing.

**INTERFACE UNIT ASSEMBLY.**—The interface unit assembly transfers the rounds coming from the exit unit assembly to the aircraft system and the spent cases coming from the aircraft system to the elements going to the entrance unit. A bypass mode of operation permits the rounds to be cycled through the transporter/conveyor system without an interchange of rounds at the interface unit. The interface unit assembly has a gearbox drive that drives the transporter/conveyor system at the speed required for correct hand-off between the interface unit and the aircraft system. The three gear-driven sprockets control the elements and rounds as they pass through the interface unit assembly. A resettable counter indicates the number of rounds that have been loaded into the aircraft system.

**ENTRANCE UNIT ASSEMBLY.**—The entrance unit assembly removes spent cases/cleared rounds from the elements and places them into the transporter. There are three gear-driven sprockets that control the elements and spent cases as they pass through the entrance unit assembly. A counter indicates the total number of elements that have been cycled.

**DRUM DRIVE ASSEMBLY AND FLEXIBLE DRIVE SHAFT.**—The drum drive assembly is mounted on the exit end of the transporter and drives the transporter drum. The drive power is transmitted from the interface unit to the drum drive assembly by the flexible drive shaft.

### REVIEW NUMBER 1

- Q1. *List the components of the Linkless Ammunition Loading System (LALS).*
- Q2. *How many rounds of electrically primed M50/PGU ammunition can be loaded on the components of the LALS?*
- Q3. *What weapons skid is used with the LALS?*
- Q4. *What is the purpose of the loader ammunition transporter?*
- Q5. *What is the purpose of the drum loader assembly?*

- Q6. *What is the purpose of the conveyor system?*
- Q7. *What components transfer rounds from the transporter to the elements in the exit unit assembly?*
- Q8. *The drive power is transmitted from the interface unit to the drum drive assembly by the \_\_\_\_\_.*

### OPERATION

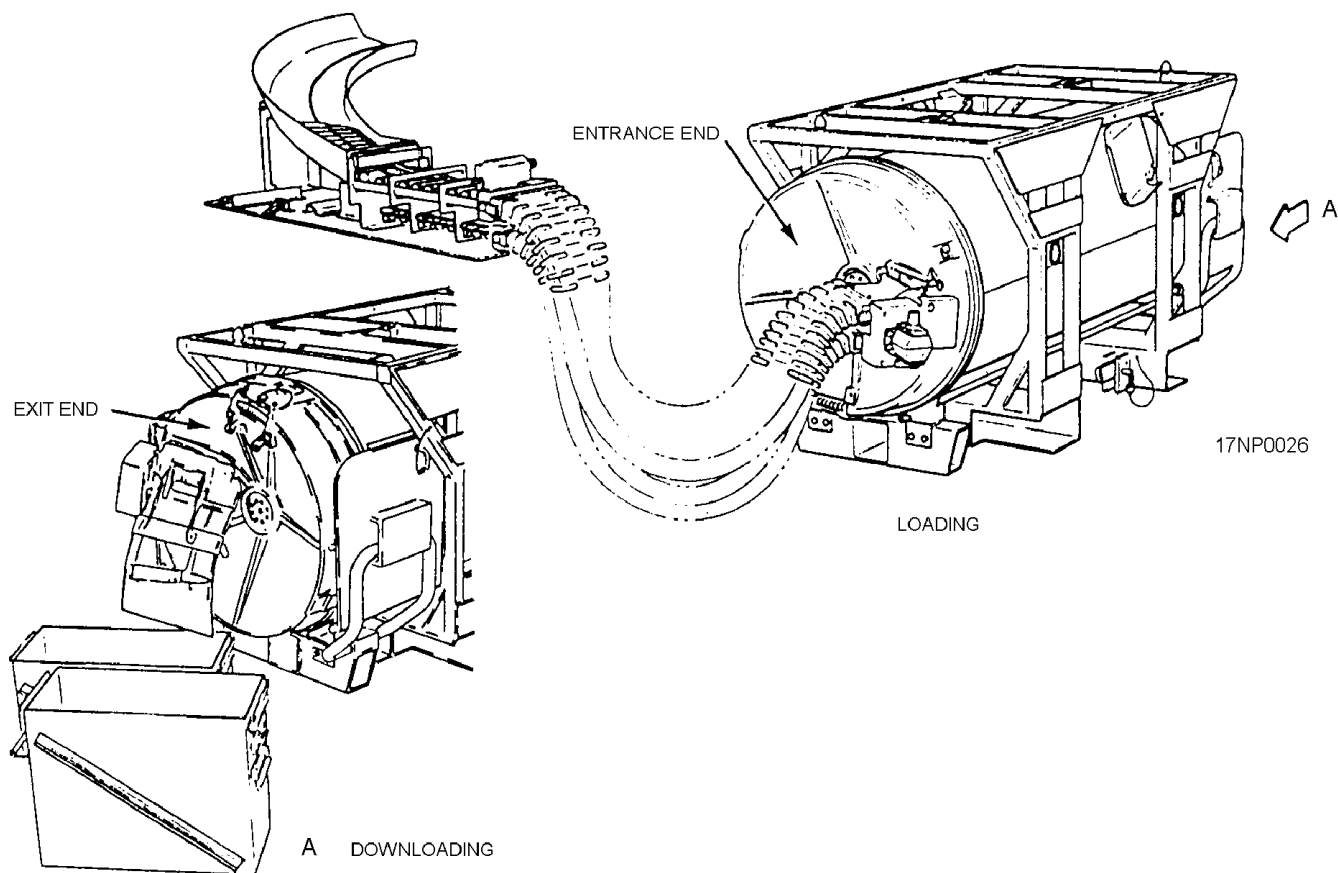
Operation of the LALS is divided into three modes: loading/downloading the transporter, loading/ downloading aircraft gun systems and bypass.

#### Loading/Downloading Transporter

Ammunition primers are exposed when you conduct transporter loading/downloading operations. Therefore, loading/downloading must be done in a RADHAZ safe area.

As you read this section, refer to figure 7-17. When you are loading the transporter, attach the timed drum loader assembly to the timed drum entrance cover of the transporter, and attach the timed drum unload assembly to the timed drum exit cover. If you are simultaneously loading/downloading, attach both the timed drum loader assembly and drum unload assembly to the timed drum entrance cover and to the timed drum exit cover. When downloading only, the transporter is driven by a hand crank in the retainer at the center of the entrance end of the transporter. When loading or simultaneously loading/downloading, the transporter is driven by the load unit assembly.

Ammunition is placed in the load tray of the drum loader at the specified ratio. The curve and tilt of the tray lets the rounds roll freely toward the elements. As the hand crank drives the load unit assembly, each element picks up one round and carries it through the ammunition chute to the load unit assembly. As the rounds enter the ammunition chute, the rounds counter is actuated. The load unit assembly removes the rounds from the elements and places them in the retainer partitions of the drum entrance cover. The scoop disk assembly removes the rounds from the retainer partitions and places them into the drum partitions, where the inner drum (helix) moves them from the entrance cover toward the exit cover. Since there is a space in the outer drum where no controlling partitions exist, a cam on the outer drum engages a pin on the scoop disk assembly that closes the scoop extension. With the scoop extension closed, no rounds can be



**Figure 7-17.—Loading and downloading transporter.**

placed in the empty space. As the inner drum moves the rounds or spent cases toward the drum unload assembly, the scoop disk assembly removes the rounds from the drum partitions and places them into the retainer partitions of the drum exit cover.

The drum unload assembly removes the rounds from the retainer partitions and places them on the unload tray. A hole in the unload tray lets spent cases drop into a spent case container. Rounds are moved across the hole in the tray to a live-rounds container. These rounds must be restrained to prevent impact with the container or other rounds.

### **Loading/Downloading Aircraft Gun Systems**

In a load and/or download operation, any combination of the following conditions may exist: A

fully loaded, partially loaded, or empty transporter may be mated to a fully loaded, partially loaded, or empty gun system. Each set of possible combination dictates a unique load and/or downloads operational sequence. The load or download operational sequence explained in the following paragraph refers to a fully loaded transporter mated to a fully loaded gun system.

For you to load or download an aircraft gun system, the conveyor system must be mounted on the transporter with the timed entrance and exit unit assemblies mounted to a timed drum. The timed interface unit assembly must be mated to the timed aircraft gun system by the aircraft adapter assembly. The rounds pass from the transporter, through the exit unit assembly, through an ammunition chute, to the interface unit assembly. When the interface unit

assembly mode selector is in the bypass position (fig. 7-18) and the system is cycled, the rounds are guided around the element sprocket and into an ammunition chute, which returns them to the entrance end of the transporter.

When you first connect or remove the interface unit to or from the aircraft adapter, the interface unit assembly must be in the bypass position. When the interface unit assembly mode selector is in the load position (fig. 7-19) and the system is cycled, the rounds are removed from the elements by a sprocket and guided into the elements in the aircraft adapter.

The rounds are carried from the aircraft adapter to the aircraft drum. The elements entering the aircraft adapter from the aircraft system contain spent cases or cleared rounds. These rounds are removed from the aircraft elements and are guided by a sprocket into the elements of the conveyor system for transfer to the transporter.

For further information concerning the LALS MHU series refer to NAVAIR 19-1-125.

### REVIEW NUMBER 1 ANSWERS

A1. *The Linkless Ammunition Loading System (LALS) consists of a loader ammunition*

*transporter, a drum loader assembly, a conveyor system, and a drum unload assembly.*

A2. *The LALS can hold 1,400 rounds of electrically primed, M50/PGU ammunition.*

A3. *The MHU-191/M transporter is used with the LALS.*

A4. *The loader ammunition transporter is used to move rounds/cases through the exit and entrance ends during operation.*

A5. *The purpose of the drum loader assembly is to load the transporter with unlinked ammunition.*

A6. *The conveyor system is used to transport rounds from the transporter to the aircraft system. It simultaneously transports spent cases and cleared rounds from the aircraft system to the transporter.*

A7. *Two gear-driven sprocket assemblies in the exit unit assembly transfer rounds from the transporter to the elements.*

A8. *The drive power is transmitted from the interface unit to the drum drive assembly by the flexible drive shaft.*

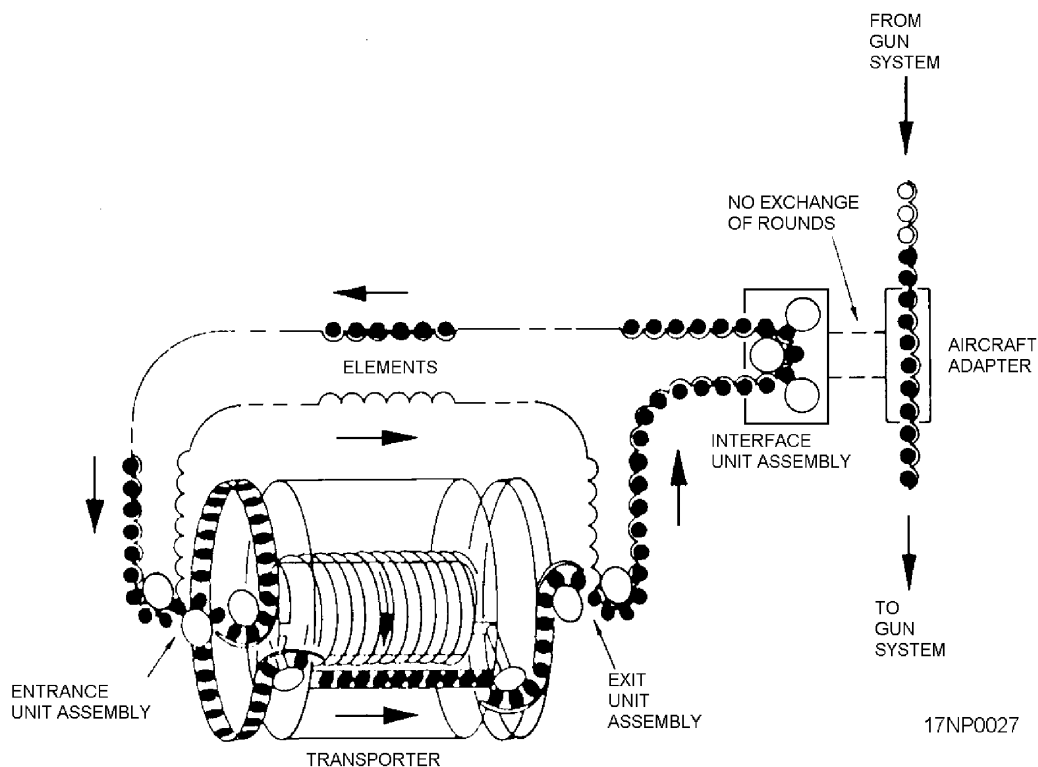


Figure 7-18.—Ammunition flow in bypass mode.

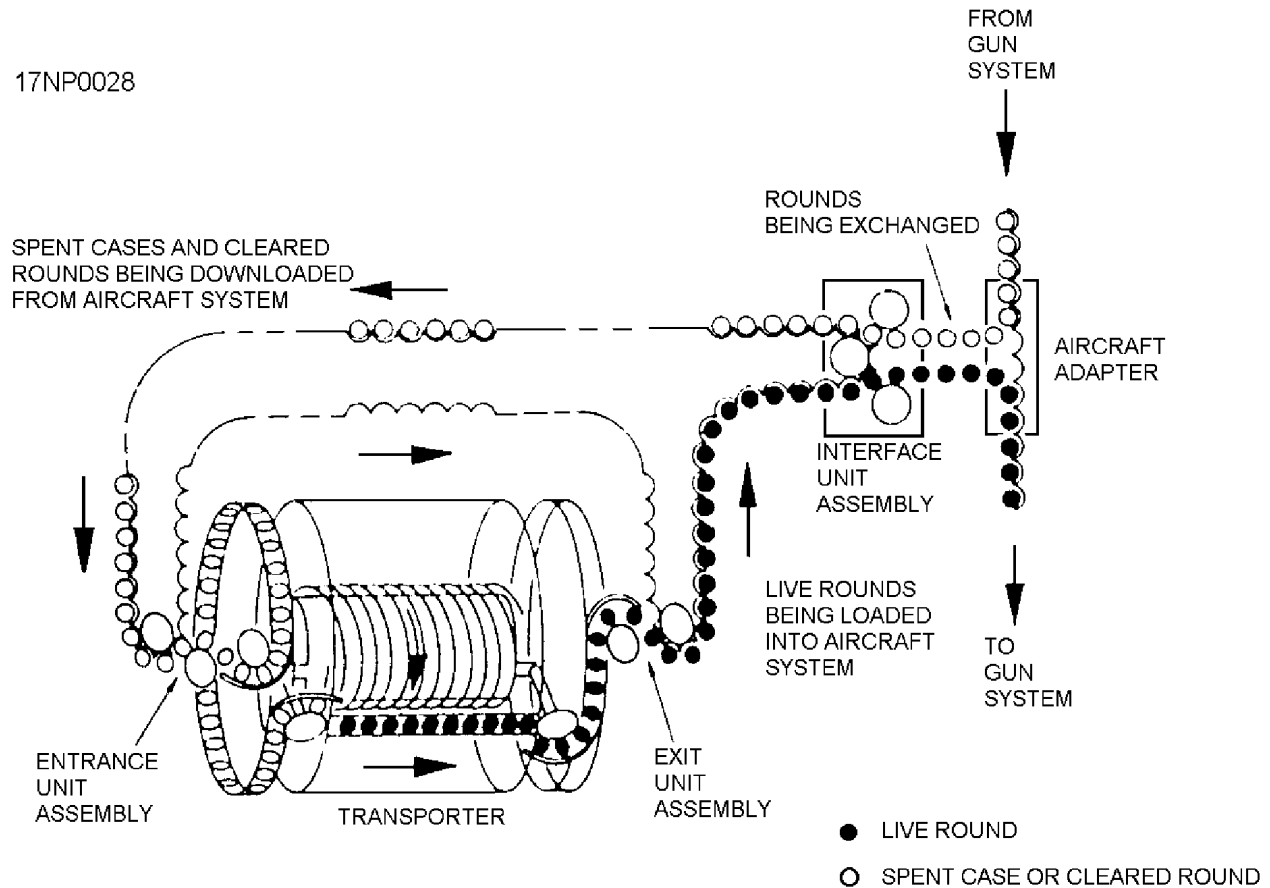


Figure 7-19.—Ammunition flow in load/download mode.

## REVIEW NUMBER 2

- Q1. In what type of environment must transporter loading or downloading operations be conducted?
- Q2. List the conditions that might exist in a given load or download operation.
- Q3. When you connect or remove the interface unit to or from the aircraft adapter, it must be in what position?

## LINKLESS AMMUNITION LOADING SYSTEM A/E32K-7

**LEARNING OBJECTIVE:** *Identify the components of the linkless ammunition loading system to include the ammunition loader and ammunition replenisher.*

The Linkless Ammunition Loading System (LALS) (fig. 7-20) consists of an ammunition loader

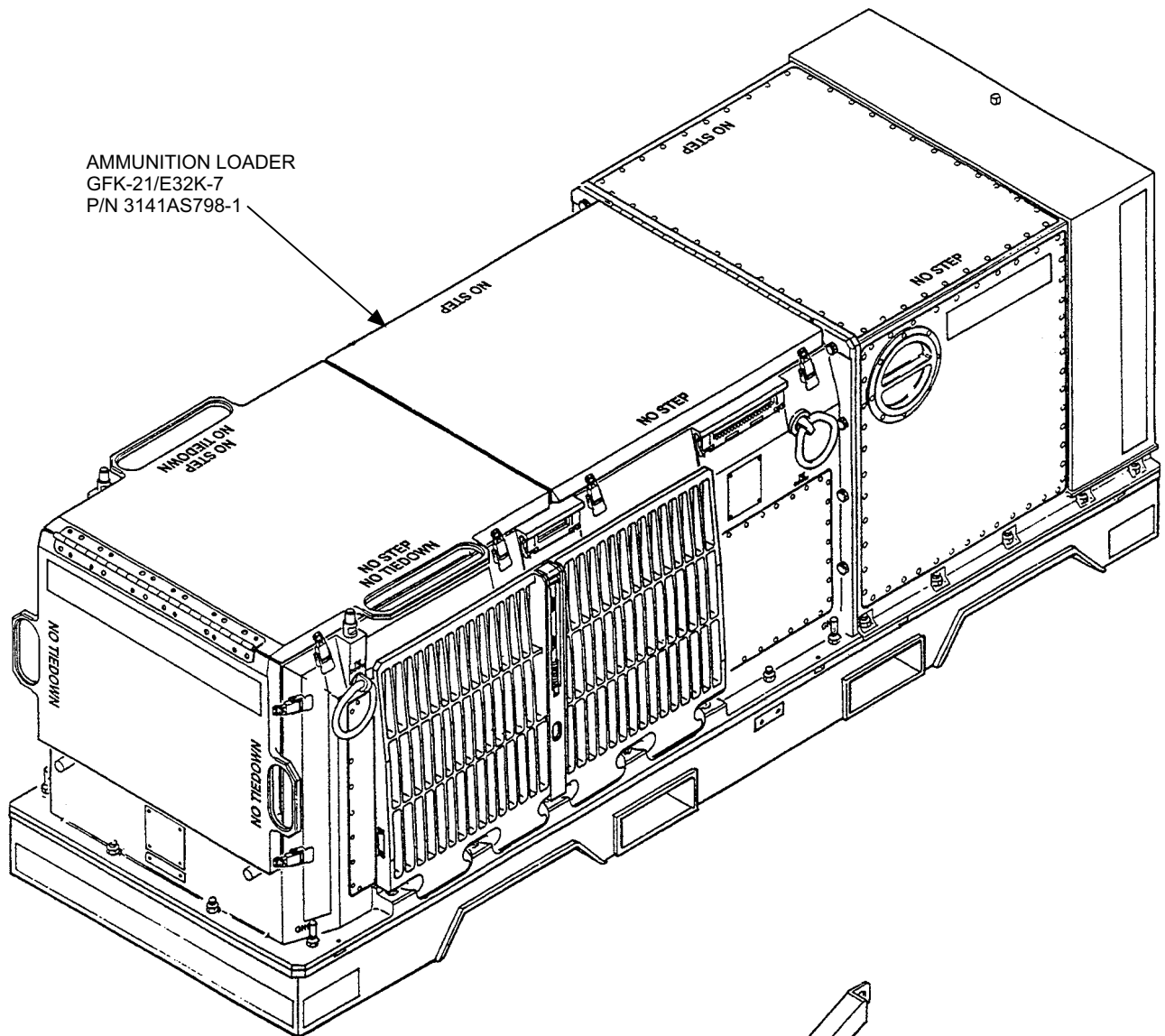
and an ammunition replenisher. The components of the LALS allows a load of 1,800 rounds of 20mm ammunition to be simultaneously loaded and downloads the spent cases and unfired rounds.

## COMPONENTS

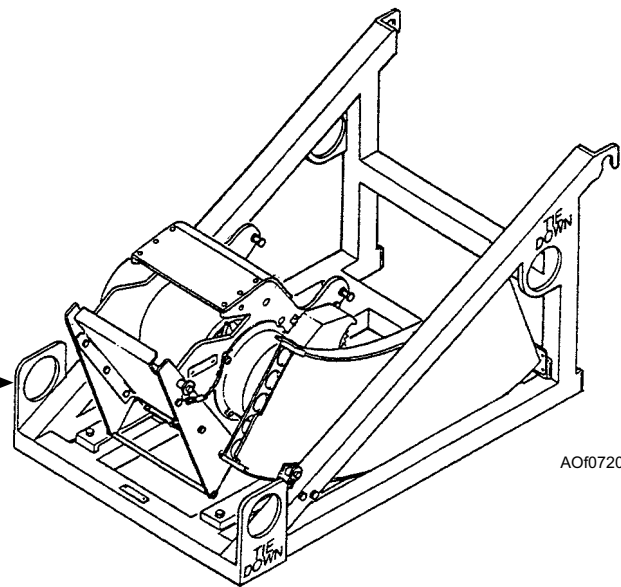
A brief description of the components in the Linkless Ammunition Loading System (LALS) is contained in the following paragraphs.

### Ammunition Loader

The ammunition loader (fig. 7-21) is a mechanical, ammunition storage and loading device driven by a hand crank, or a pneumatic drive tool. It consists of four Weapons Replaceable Assemblies (WRSs): a storage container, conveyor assembly, transfer unit assembly, and support frame assembly. The support frame assembly consist of three Shop Replaceable Assemblies (SRA's): a forward housing assembly, aft housing assembly, and base frame assembly.



AMMUNITION LOADER  
GFK-21/E32K-7  
P/N 3141AS798-1



AMMUNITION REPLENISHER  
GFK-20/E32K-7  
P/N 3141AS500-1

AO10720

Figure 7-20.—Linkless Ammunition Loading System (A/E32K-7).

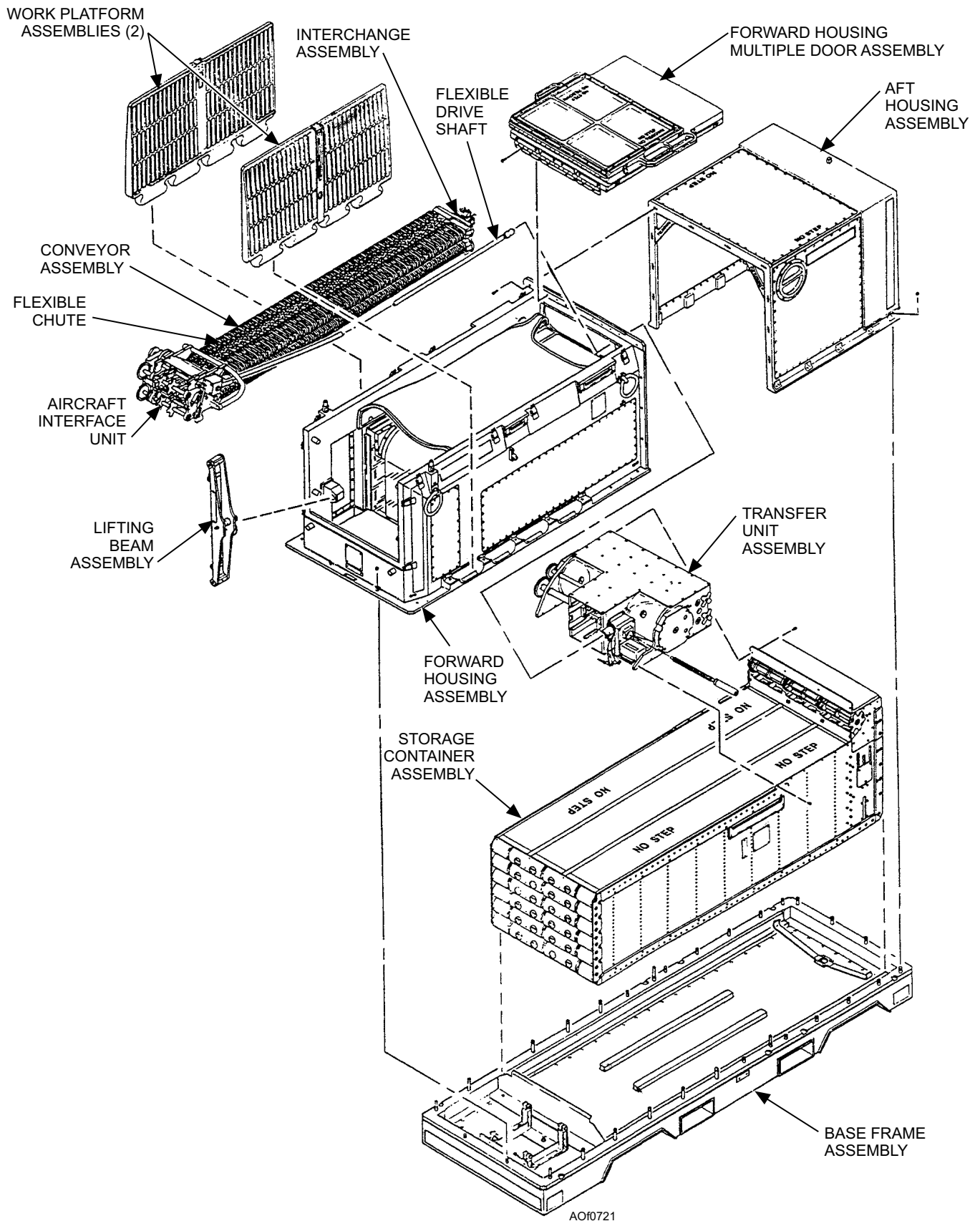


Figure 7-21.—Ammunition Loader.

## Ammunition Replenisher

The ammunition replenisher (fig. 7-22) is a mechanical ammunition feed device, which interfaces with the ammunition loader during replenishment. It consists of a load tray assembly, dump tub chute assembly, replenisher interchange assembly, and replenisher mounting base assembly.

### OPERATION

Operation of the LALS is divided into four modes: replenishment mode, aircraft servicing mode, transport mode and storage mode. Replenishment mode is an intermediate level function and aircraft-servicing mode is an organizational level function.

#### Replenishment mode

To load the ammunition loader, the access door is unlatched, folded up and back to the open position and secured. The ammunition replenisher is mounted on the ammunition loader (fig. 7-23). The aircraft, Aircraft Interface Unit (AIU) is then unlatched (fig. 7-23) and removed from its stowed position. The conveyor chute is rotated 180 degrees in either direction and the AIU is attached to the ammunition replenisher. Attach load tray assembly to replenisher interchange assembly. Three empty ammunition containers are placed beneath the ammunition replenisher. One container collects the

spent cases downloaded from the ammunition loader; the second container stores the unfired rounds; and the third container, if required, catches the cardboard tubes which are stripped off the tube-packed ammunition. Ammunition is hand-fed into the load tray assembly with the rounds pointing as pictured on load tray.

During replenishment, the ammunition loader is driven in the reverse direction. As the hand crank drives the ammunition replenisher, the ammunition is transferred out of the load tray assembly by the detuber rotor. If ammunition is tubed, the cardboard tubes are stripped off the rounds as they travel around the detuber rotor. The cardboard tubes are diverted into the tube dump chute and the rounds are transferred to the replenisher conveyor belt elements. The ammunition rounds are then handed off from the conveyor belt elements to the ammunition loader conveyor assembly and into the ammunition loader transfer unit. In the ammunition loader transfer unit the single stream of ammunition is divided into three streams decelerated and transferred into the three bays in the storage container assembly. At the same time, the spent cases and unfired rounds are downloaded from the ammunition loader through the lower half of the replenisher interchange assembly. The ammunition is transferred from the "download rotor" on the aircraft interface unit into the conveyor belt assembly. As the ammunition moves along the bottom of the conveyor belt assembly, the spent cases fall into a spent case

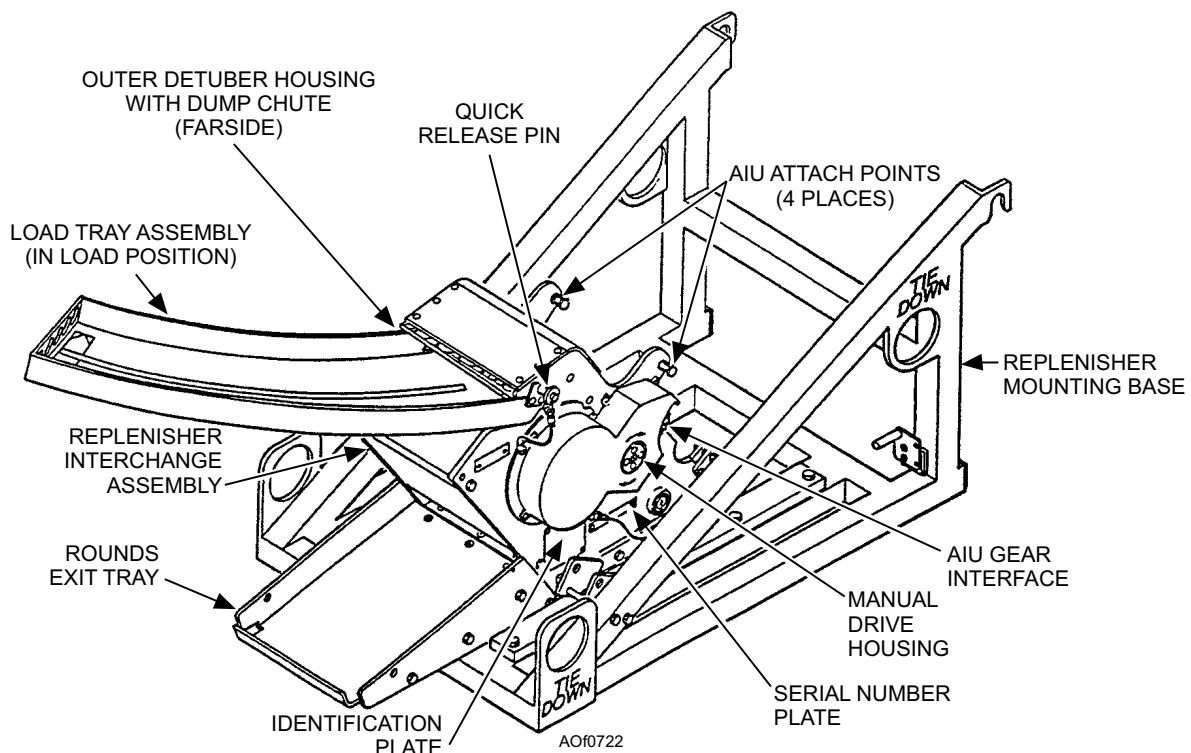


Figure 7-22.—Ammunition Replenisher.



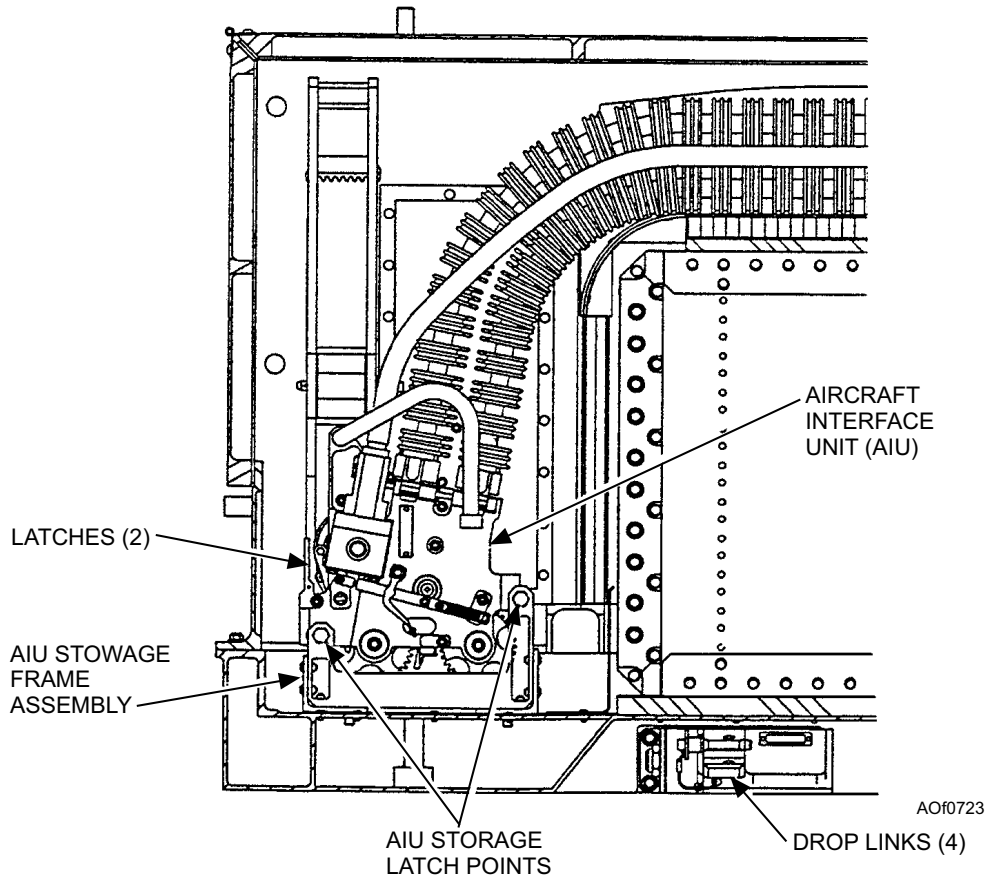
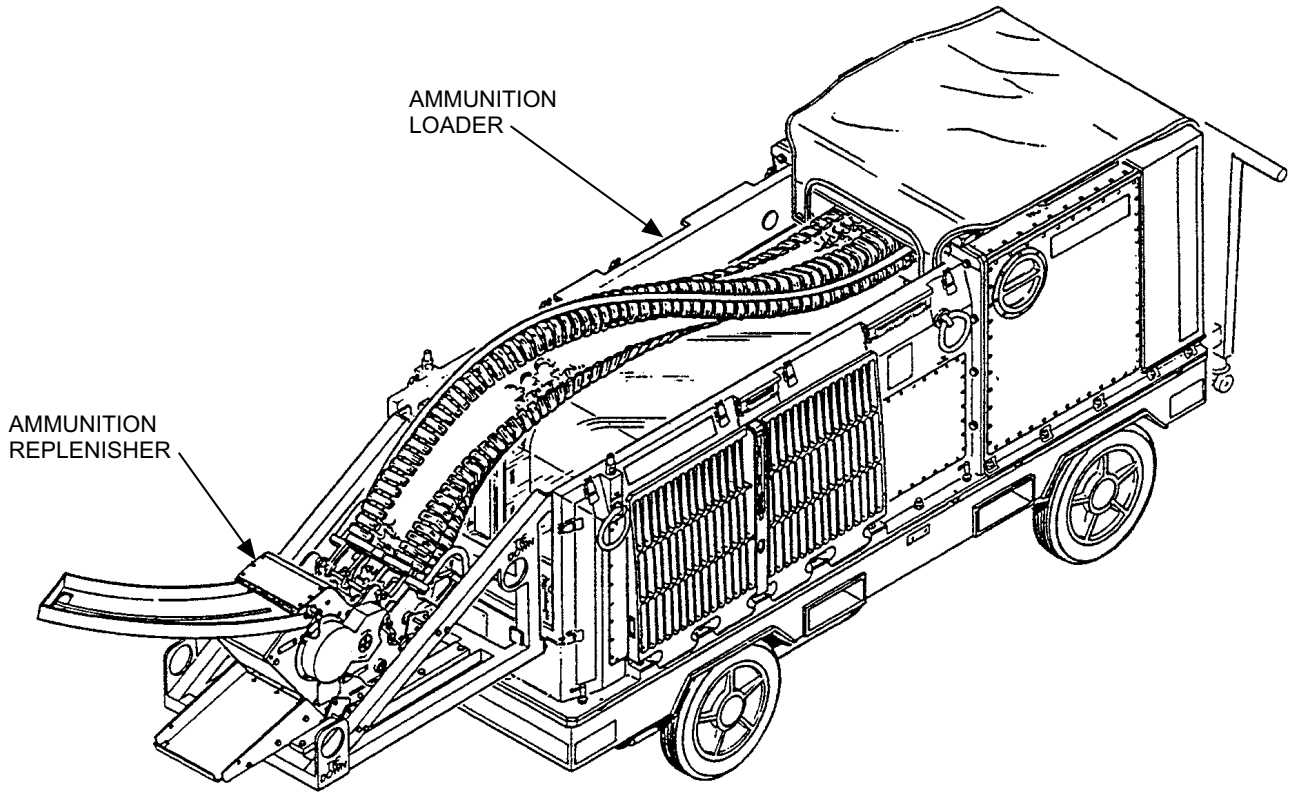


Figure 7-23.—AIU Stowage Frame Assembly Position.

container. Unfired rounds continue further upstream into the unfired round tray where they are manually placed into an ammunition container

### **Aircraft Servicing Mode**

The M61A1/A2 aircraft gun system can be serviced while simultaneously removing expended casings and unfired rounds. To service the aircraft gun system, the Aircraft Gun Feed System (AGFS) must be timed. The AIU is positioned to provide operator crew access. The AIU shift lever handle is placed in the down (BYPASS) position, the manual drive knob is rotated to align the AIU to the timed position and the timing pin is engaged. The AIU is then attached to the AGFS and the timing pin is disengaged. The AIU shift lever handle is then placed in the up (LOAD) position. A hand crank or pneumatic drive tool is attached to the AGFS gun drive socket and is used to cycle the ammunition through the storage container assembly into the aircraft gun systems. As the rounds from the three bays in the loader travel through the terminal drive sprockets, they are fed into the lower half of the transfer unit. All three streams of ammunition are merged and accelerated into a single stream of ammunition.

From the transfer unit assembly, the ammunition is driven through the lower half of the conveyor chute assembly into the aircraft interface unit and is passed into the aircraft gun system. At the same time, unfired rounds and spent cases are downloaded through the upper rotor of the aircraft interface unit into the upper half of the conveyor chute assembly. At the transfer unit assembly, the single stream is decelerated, divided into three streams and transferred into the three bays of the storage container assembly.

### **REVIEW NUMBER 2 ANSWERS**

- A1. *When transporter loading/downloading operations are conducted, they must be done in an RADHAZ-free environment.*
- A2. *In a given load/download operation, any of the following conditions may exist: A fully loaded, partially loaded, or empty transporter may be mated to a fully loaded, partially loaded, or empty gun system.*
- A3. *When you connect or remove the interface unit to or from the aircraft adapter, it must be in the bypass position.*

### **Transport Mode**

In the transport mode, the ammunition loader is used to transport ammunition from the magazine to the aircraft. It can be mounted on a variety of transporter and trailers. A forklift truck can be utilized to move the ammunition loader short distances. Forklift guides are an integral part of the mounting base assembly. When ashore, the ammunition loader will be transported on A/M32K-4A, MHU-126/M, MHU-126A/M, MHU-151/M or MHU-202/M trailers. Afloat, the ammunition loader will be mounted on an MHU-191/M.

### **Stowage Mode**

The ammunition loader and ammunition replenisher (fig. 7-24) will be stored in a designated storage area. The ammunition loader and ammunition replenisher must be empty of all ammunition and spent cases. To ensure the ammunition loader is empty, one marked dummy round is cycled completely through the storage container assembly, transfer unit assembly and conveyor assembly. A dummy round will also be cycled through the ammunition replenisher prior to storing it. The ammunition loader can be moved to the designated storage area with a forklift or a chain hoist and rail system. A lifting beam mounted in the ammunition loader is used to attach the ammunition loader to the chain hoist. The lifting of the ammunition loader should be accomplished by at least two personnel to ensure the ammunition loader is under control at all times. Both the ammunition loader and the ammunition replenisher are secured to the deck using tie-downs.

For further information on the LALS A/E32K-7 refer to Organizational Operation Instructions NAVAIR 19-1-267 or Intermediate Operation and Maintenance Instructions NAVAIR 19-1-269.

### **REVIEW NUMBER 3**

- Q1. *The Linkless Ammunition Loading System (LALS) A/E32K-7 consists of what two components?*
- Q2. *What modes of operation does the LALS A/E32K-7 have?*
- Q3. *What equipment must be timed to service the aircraft gun system?*
- Q4. *What must be done to the ammunition replenisher prior to storing it?*

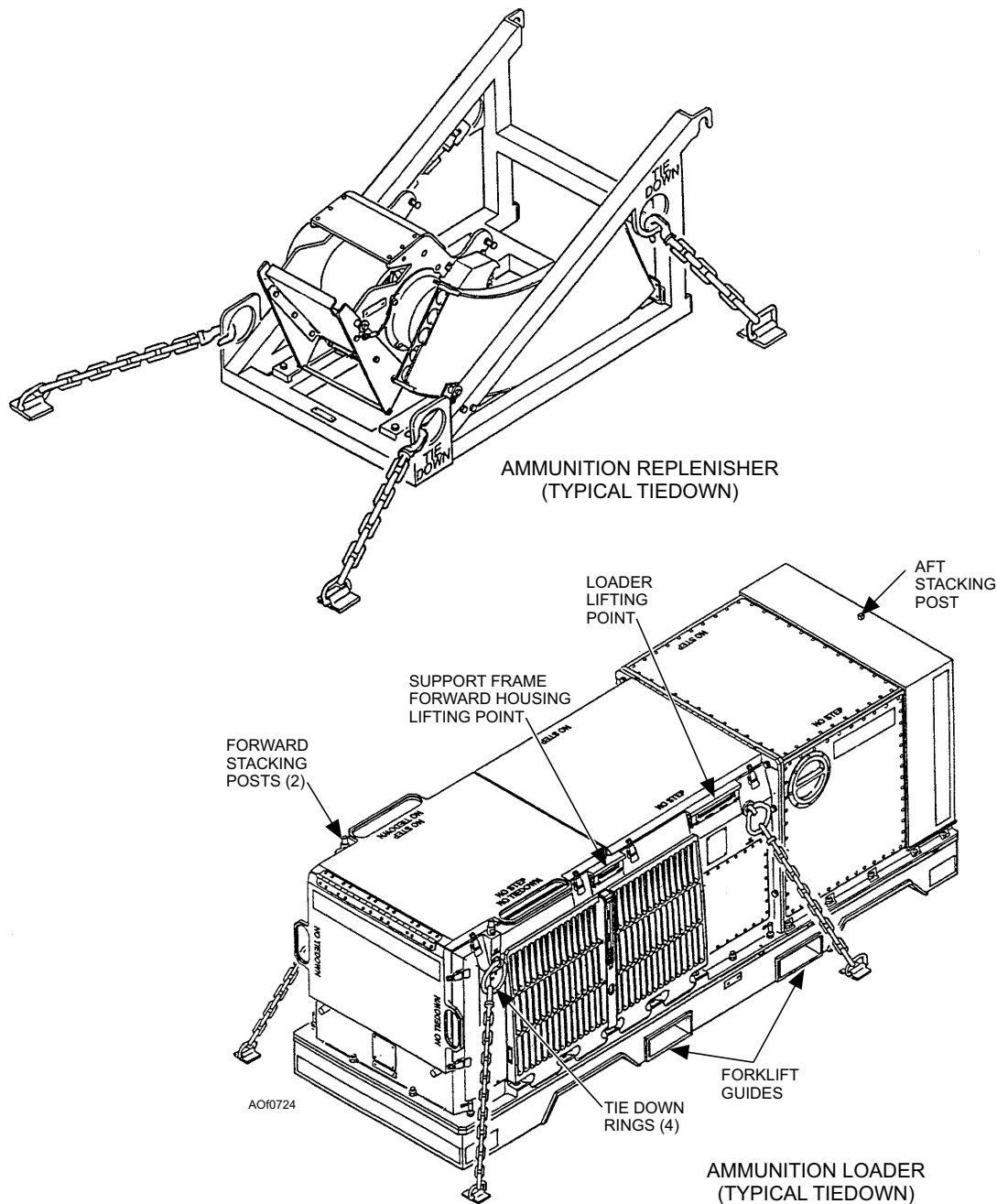


Figure 7-24.—Stowage Mode.

### SAFETY PRECAUTIONS

**LEARNING OBJECTIVE:** *Identify safety precautions to follow when working with the LALS.*

The following general safety precautions are not related to any specific equipment or procedure. These precautions are recommended safety precautions that all personnel should follow when operating and maintaining equipment.

- All persons who supervise or perform work in connection with the ammunition handling should be familiar with the *United States Ordnance Safety Precautions*, NAVSEA OP 3347.
- When test firing is conducted using live ammunition, observe all existing range regulations.
- Before undertaking any operation for which a check off list exists, you must read the check off

list to all personnel who will take part in the operation.

- When provided, always use safety devices to prevent accidents. Keep safety devices in good operating order at all times.
- Electrically primed ammunition can be fired by percussion. NEVER cycle live ammunition through a gun for testing purposes.
- The explosive elements in electric primers are highly sensitive to static electricity. Make sure the primer button does not come into contact with the human body.
- Observe fire regulations and maintain good ventilation when using cleaning solvents and other volatile maintenance materials.
- Before performing maintenance actions involving pneumatic or hydraulic pressurized components, ensure that all pressure is removed and the component is in the safest possible condition.

#### **REVIEW NUMBER 4**

*Q1. If a check off list is to be used during an operation, what action must take place first?*

*Q2. To prevent explosive primers on gun ammunition from being exposed to static electricity, what action should be taken?*

#### **REVIEW NUMBER 3 ANSWERS**

- A1. The Linkless Ammunition Loading System (LALS) A/E32K-7 consists of an ammunition loader and an ammunition replenisher.*
- A2. The LALS A/E32K-7 has four modes: replenishment mode, aircraft servicing mode, transport mode and storage mode.*
- A3. To service the aircraft gun system, the Aircraft Gun Feed System (AGFS) must be timed.*
- A4. A dummy round will be cycled through the ammunition replenisher prior to storing it.*

#### **REVIEW NUMBER 4 ANSWERS**

- A1. If a check off list is to be used during an operation, it must be read to all personnel who will take part in the operation.*
- A2. To prevent explosive primers on gun ammunition from being exposed to static electricity, make sure that the primer button of the ammunition doesn't come into contact with the human body.*

## CHAPTER 8

# TARGETS AND ASSOCIATED EQUIPMENT

Aerial targets and associated equipment are used in gunnery, rocketry and for missile practice by ships and shore installations. They are also used in air-to-air firing exercises. Firing at targets that simulate moving aircraft improves the battle efficiency of the Navy and provides useful information for evaluating armament control/weapons systems under development for operational use by the fleet.

Target systems are divided into three categories: aerial targets, land targets, and tow target systems. Table 8-1 depicts a matrix of targets by category and type. In the following paragraphs we will discuss aerial targets and tow target systems.

Tow target systems are divided into two subsystems: aerial tow reeling machine and launchers and aerial tow. Both systems are discussed in the following text.

### TOWED TARGETS, SYSTEMS, AND EQUIPMENT

**LEARNING OBJECTIVE:** *Identify towing systems and associated equipment to include external gunnery tow systems, tow target reeling machine-launcher systems, and tow cables and associated equipment. Describe the operating theory of the external gunnery tow system.*

There are two basic classes of tow targets—textile and rigid tow targets. Textile tow targets are flexible targets woven from a synthetic fiber, such as nylon.

Rigid tow targets are made of a rigid material, such as fiberglass. They are shaped and constructed to prevent drag and withstand severe air loads when towed at high speeds. This type of target is normally finned stabilized. All rigid targets provide an auxiliary aid for the radar fire control system in the attacking aircraft.

**Table 8-1.—Target Categories and Types**

Target	Aerial Target		Land Target	Tow Target Systems	
	Subscale	Full Scale		Aerial Tow Reeling Machine	Aerial Tow
BQM-34A/S	X				
BQM-34E/T	X				
BQM-74C/E	X				
AQM-37C	X				
RMK-19/A47U-3				X	
RMK-31/A47U-4				X	
RMK-34/A47U-4/A				X	
RM-1				X	
TDU-32A/B					X
TDU-34A/A					X

## TEXTILE TOW TARGETS

The TDU-32A/B and TDU-32B/B aerial banner tow targets (fig. 8-1) are effective low-cost devices for air-to-air and surface-to-air gunnery training. They are constructed of nylon fabric and are rectangular in shape. The TDU-32B/B is laser retroflective, while the TDU-32A/B is radar reflective.

The TDU-32A/B and TDU-32B/B banner tow targets have a weighted steel tow bar and bridle assembly attached to the rectangular fabric panel. There is 60-foot safety nylon webbing bridle attached between the tow bar and tow cable. Both nonradar- and radar-reflective panels are 7 1/2 feet by 40 feet. For visual tracking, the panels have a 12-inch orange border and a 48-inch orange bull's eye centered on the white portion.

The targets, attached approximately 1,800 feet behind the tow aircraft, are launched from the runway by standard drag takeoff procedures. Target recovery is accomplished by dropping the target in a recovery area following the mission.

## RIGID TOW TARGET

A rigid target is specially designed to simulate high-speed aircraft in speed and maneuverability. It can be towed by jet aircraft at speeds within the attacking range of jet fighters. The target is aerodynamically designed to reduce drag and limit the performance of

the tow plane as little as possible. A rigid target can be used for air-to-air and surface-to-air gunnery and guided missile training.

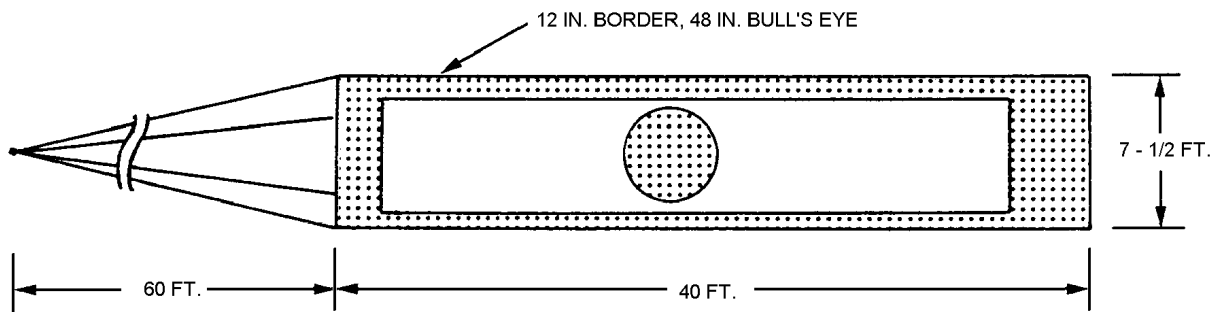
The TDU-34/A aerial tow target (fig. 8-2) is a training device that will replace other tow targets now in use, with the exception of the banner targets discussed in this chapter. Its primary purpose is for air-to-air and surface-to-air missile and gunnery training.

The TDU-34/A is a passive radar target. It can be adapted to carry other payloads internally. It consists of a reinforced aluminum tube body, four aluminum fins, a steel towline adapter, and radar-reflective nose and tail sections. The nose is a thin, fiberglass shell with four aluminum corner reflectors and a lead ballast weight bonded inside. The tail section is a short ABS plastic tube with a single aluminum corner reflector riveted inside. The dimensions and weight of the target are shown in figure 8-2.

The TDU-34/A can be towed by any aircraft capable of using the A/A47U-3 or A/A47U-4 reeling machine-launcher systems.

### REVIEW NUMBER 1

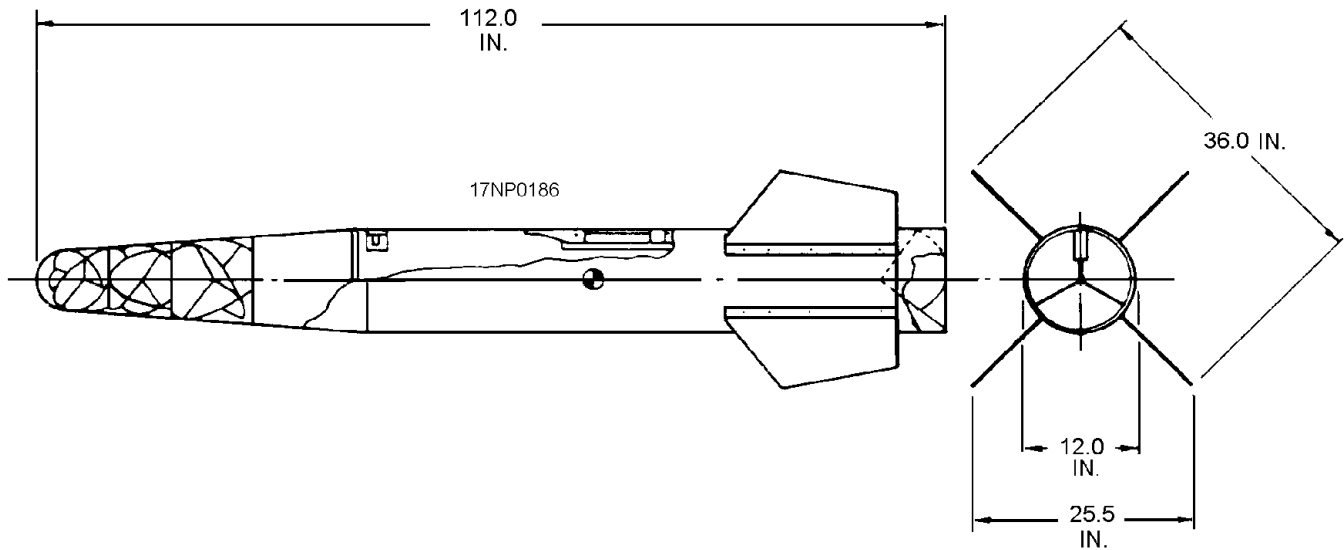
- Q1. What are the two basic classes of tow targets?
- Q2. Textile targets are made of \_\_\_\_\_.



17NP0185

RADAR REFLECTIVITY	90% (AB), 0% (B)
SCORING	VISUAL HOLE COUNT
COLOR	WHITE, ORANGE BORDER AND BULL'S EYE
WEIGHT	23 POUNDS
MAXIMUM TOWING VELOCITY	250 KNOTS
TOW AIRCRAFT	A-4, T-2, A-6, F-4, F-14, A-7, F/A-18
AUGMENTATION	NONE

Figure 8-1.—Characteristics of the TDU-32A/B and TDU-32B/B aerial banner tow target.



ALTITUDE	35,000 FEET
WEIGHT	75 POUNDS
MAXIMUM TOWING VELOCITY	0.9 MACH
TOW AIRCRAFT	A-4, 1-6, F-4
AUGMENTATION	RADAR REFLECTIONS

Figure 8-2.—Characteristics of the TDU-34/A aerial tow target.

- Q3. What type of target is an auxiliary aid for the radar fire control system in the attacking aircraft?
- Q4. List the textile targets that are effective low-cost devices for air-to-air and surface-to-air gunnery training.
- Q5. Describe the difference between the TDU-32A/B and TDU-32B/B targets.
- Q6. What is the size of the TDU-32A/B?

- Q7. Rigid tow targets are specifically designed to \_\_\_\_\_.
- Q8. What tow target is a passive radar target that can be adapted to internally carry other payloads?

#### A/A47U-3A AND A/A47U-4 TOW TARGET REELING MACHINE-LAUNCHER SYSTEMS

The A/A47U-3A tow target reeling machine-launcher system (fig. 8-3) is an airborne

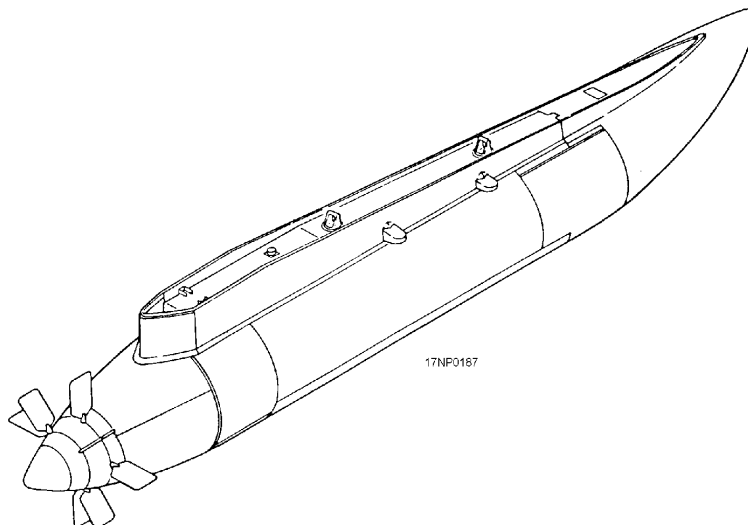


Figure 8-3.—A/A47U-3A tow target reeling machine-launcher system.

weapon training system. It is used to tow aerial targets for gunnery and aircraft missile firing exercises. The system is a semiautomatic tow-reel and target-launching mechanism externally mounted on the aircraft.

The A/A47U-3A system consists of an RMK-19A/A47U-3 reeling machine launcher, a PEK-84/A47U-3 reeling machine-launcher control, and the applicable interconnection cable assemblies. The system uses saddle-mounted aerial targets from 7 to 12.5 inches in diameter that weigh up to 225 pounds. Target toelines, which have constant diameters or stepped diameters with combinations of monofilament and/or stranded wire, are used. The system operates with various toeline splices, ranging in diameter up to 0.250 inch and with flexible lengths up to 106 inches. Typical toelines consist of 10,000 feet of 0.190-inch diameter 3 by 7 stranded steel cable (5,400-pound tensile strength) or 42,000 feet of 0.097-inch diameter 1 by 7 stranded steel cable (2,060-pound tensile strength). The reeling machine-launcher system has a nominal reeling speed capability of 3,500 feet of toeline per minute. Adjusting the power unit blade angle limitations increases the speed to a maximum of 5,000 feet per minute.

The operator manually controls the system, and it provides launcher up/down, brake on/off, and reel in/out functions. You can control target reeling and recovery speeds by manually adjusting the power unit blade angle. Operation of the system is controlled from the PEK, which is located in the cockpit of the launching aircraft.

The A/A47U-4 tow target reeling machine-launcher system is identical to the A/A74U-3A except for weight and size. The lighter weight and smaller size design of the A/A47U-4 was developed to adapt this towing system to a variety of aircraft.

If you want more information on the A/A47U-3A tow target reeling machine-launcher system, refer to *Tow Target Reeling Machine-launcher System A/A47U-3A*, NAVAIR 28-10A-16.

## TOW CABLES AND ASSOCIATED EQUIPMENT

Steel cables used in target towing are manufactured specifically for that purpose. Three of the several types of cables used are discussed here: the 3/32-inch, 7 by 7 cable; the 1/8-inch, 7 by 19 cable; and the 1/8-inch, 1 by 19 armored cable.

The 3/32-inch cable comes in 10,000-foot spools, has a minimum breaking strength of 920 pounds when new, and is 7 by 7 in construction. It consists of seven strands; each strand has seven wires, and is commonly referred to as 7 by 7. This cable weighs 1.5 pounds per 100 feet.

The 1/8-inch cable is shipped in either 11,500- to 12,500-foot spools or 7,000- to 7,500-foot spools. It has a minimum breaking strength of 2,000 pounds when new. It is 7 by 19 in construction (7 strands, 19 wires per strand) and weighs 2.9 pounds per 100 feet.

The 1/8-inch-armored cable is shipped in spools. It has a minimum breaking strength of 2,160 pounds. It is constructed of one strand of 19 wires, with a flat armoring wire swaged spirally around the strand with a minimum of 6 turns per inch. The armored cable weighs 4 pounds per 100 feet. Cross-sectional views of these three cables are shown in figure 8-4.

These cables are not lubricated. The use of grease, oil, paraffin, or other lubricants on the cable is a fire hazard. An explosive vapor is created in the towing aircraft as the cable is reeled out at high speeds. Since the cables are not lubricated, they must be stored in a dry place, or cleaned and coated with corrosion-preventive compound according to instructions.

Continual use of a cable reduces its strength. Target towing subjects the cable to severe stress in addition to the damage caused by gunfire. You need to inspect cables frequently. The cable should be repaired or replaced if there are indications of fraying (broken wires), birdcaging (partial unwinding of the strands along the cable), or snarling (unwinding of the strands

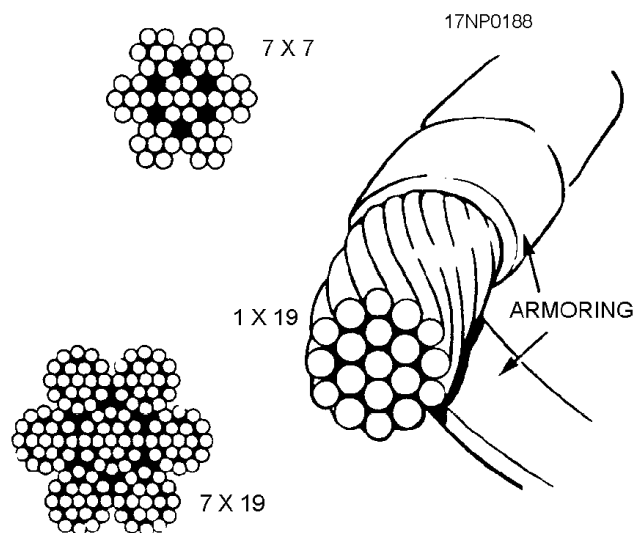


Figure 8-4.—Cross-sectional view of tow cables.



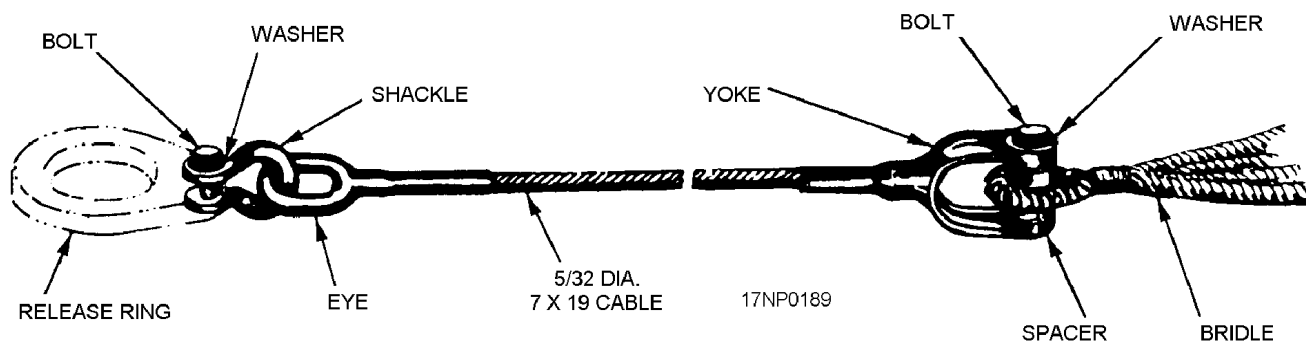


Figure 8-5.—Mk 1 target leader.

and wires at the end of the cable). Running a cloth along the cable will help you locate broken wires, as they will catch in the cloth. Never run your bare hand along the cable because the broken wires will catch in the flesh. Also, you should never use a knot to attach a target, since the knot weakens the cable by 50 percent or more. An eye splice is recommended for this purpose.

### Mk 1 Target Leader

The Mk 1 target leader (fig. 8-5) is used to attach targets and target-release messengers to the release ring. In turn, the target ring is held by the Mk 7 Mod 4 target release. When the target is dropped, the leader and ring drop with it.

### REVIEW NUMBER 1 ANSWERS

- A1. *The two basic classes of tow targets are the textile and rigid tow targets.*
- A2. *Textile targets are made of woven synthetic fiber, such as nylon.*
- A3. *The rigid tow target is an auxiliary aid for the radar fire-control system in the attacking aircraft.*
- A4. *The TDU-32A/B and TDU-32B/B textile targets are effective low-cost devices for air-to-air and surface-to-air gunnery training.*
- A5. *The TDU-32B/B target is 90-percent radar reflective.*
- A6. *The TDU-32A/B is 7 1/2 feet by 40 feet.*
- A7. *Rigid tow targets are specifically designed to simulate high-speed aircraft.*

- A8. *The TDU-34/A tow target is a passive radar target that can be adapted to internally carry other payloads.*

The leader is a 34-inch length of 5/32-inch diameter 7 by 19 steel cable swaged into a yoke at one end with an eye at the other end. To use the leader, you attach the bridle eye of the target to the yoke of the leader. Then, secure the eye end of the leader with a shackle to the release ring or snarl catcher that slides along the tow cable.

### Mk 8 Target Release Ring

The Mk 8 target release ring (fig. 8-6) is made of casehardened alloy steel and is about 3 inches long. The smaller eye is 1/2 inch in diameter, while the larger eye is 1 1/2 inches in diameter. You should attach the target leader to the smaller eye (securing eye). The larger loop (hole) slides along the cable, and is held by the target release when the target is towed with a reel.

Release rings are also used in drag takeoffs and container launchings. In container launchings, you

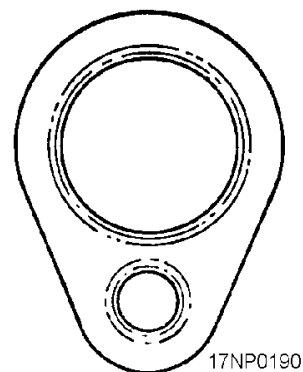


Figure 8-6.—Mk 8 target release ring.

should attach the ring directly to the towline, and then to the target-release device of the aircraft.

### Klein "Chicago" Grip

The Klein "Chicago" grip (fig. 8-7) provides a means of transferring the target drag load from the reel to a structural member of the towing aircraft. This procedure is used to take the strain off the reel while the target is streamed.

The grip is a standard commercial item. It is about 10 inches long and composed of a series of spring-loaded linkages and a shackle. Compressing the entire grip in line with the extended shackle opens the jaws. It will grip bare wires, solid or stranded, from 0.081 to 0.162 inch in diameter.

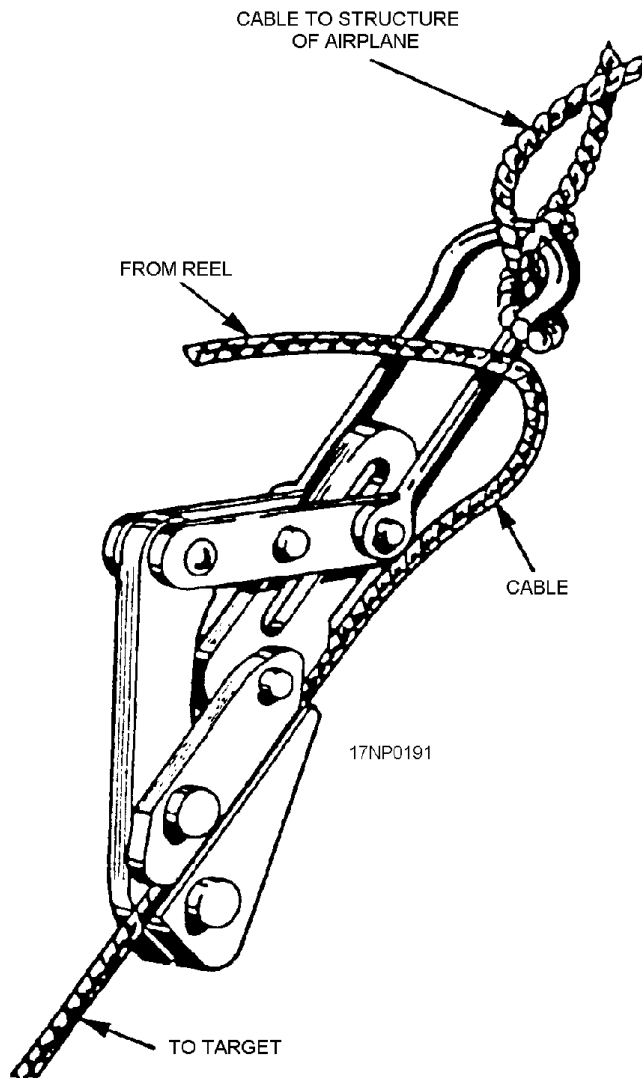


Figure 8-7.—Klein "Chicago" grip.

A cable to the aircraft's internal structure first secures the grip. Then, it is attached to the tow cable near the outrigger sheave. Slightly unwinding the reel transfers the load from the reel to the grip. The greater the drag load, the tighter the jaws grip the cable.

### CAUTION

**Do NOT apply loads greater than 1,500 pounds to the grip. It will accept cable with a much greater breaking strength than that of the grip itself. As a safety measure, set the reel brake while the grip is in use, keep the clutch in the IN position, and keep the slack in the tow cable between the grip and reel at a minimum.**

### REVIEW NUMBER 2

- Q1. The one-way reel mounted in the center section of the tow-reel pod carries \_\_\_\_\_ on its spool.
- Q2. List the components of the A/A47U-3A tow target launching system.
- Q3. What is the major difference between the A/A47U-3A and A/A47U-4 tow target reeling machine-launcher systems?
- Q4. List the types of steel cables used in target towing.
- Q5. Why are cables frequently inspected?
- Q6. The Mk 8 target release ring is made of \_\_\_\_\_.
- Q7. What component provides a means of transferring the target drag load from the reel to a structural member of the towing aircraft?
- Q8. What maximum load can be applied to the Klein "Chicago" grip?

### AERIAL TARGETS

**LEARNING OBJECTIVE:** Identify aerial targets to include the missile target, target drone, and target system.

The Navy uses three aerial targets—the AQM-37C missile target, BQM-74C/E target drone, and BQM-34A/S and BQM-34E/T target system. A simplified discussion of aerial targets is presented in this section of the NRTC.

## AQM-37C MISSILE TARGET

The AQM-37C missile target (fig. 8-8) is a realistic simulation of offensive missile and aircraft threats. It is used to conduct weapons systems evaluation, operationally train air-to-air missile crews, and exercise missile weapons systems. The AQM-37C missile target is an expendable, rocket-powered missile target capable of flying at various altitudes and cruise speeds. The target is designed for straight-and-level flight at selectable speeds from Mach 0.7 to Mach 4.0 at cruise altitudes of 1,000 to 100,000 feet, with a maximum range of approximately 155 nautical miles.

The AQM-37C is an air-launched target. It is launched from both carrier- and land-based aircraft. The launcher carries the target as an external store. The target's mission profile is determined by launch altitude, speed, and heading. This profile has controlled rocket engine thrust, cruise altitudes, and flight time parameters preset by ground crew personnel before flight.

The target is equipped with a gyro-referenced autopilot, radar augmentation, infrared augmentation,

antennas, and an aerodynamic destruct system for flight termination. It is powered by the LR-64 liquid propellant rocket engine, which is a self-contained propulsion system. The maximum weight of the target, including radar augmentation, IR flares, and scorer, is 559 pounds.

### Scoring System

The AQM-37C missile target contains the antennas and necessary interconnecting cables for the installation of the AN/DRQ-4 transponder. The primary purpose of the transponder is to receive a frequency-modulated signal from the missile, convert the signal to a new center frequency-modulated signal, and transmit the new signal to the miss-distance measuring system ground station.

The ground station receiver compares the shifted frequency of the target signal with the reference frequency of the strike missile signal. The outputs from the ground station accurately measure the miss distance between the target and the missile. The transponder is installed only in a target that is used for a surface-to-air missile with a telemetering head. The transponder is not

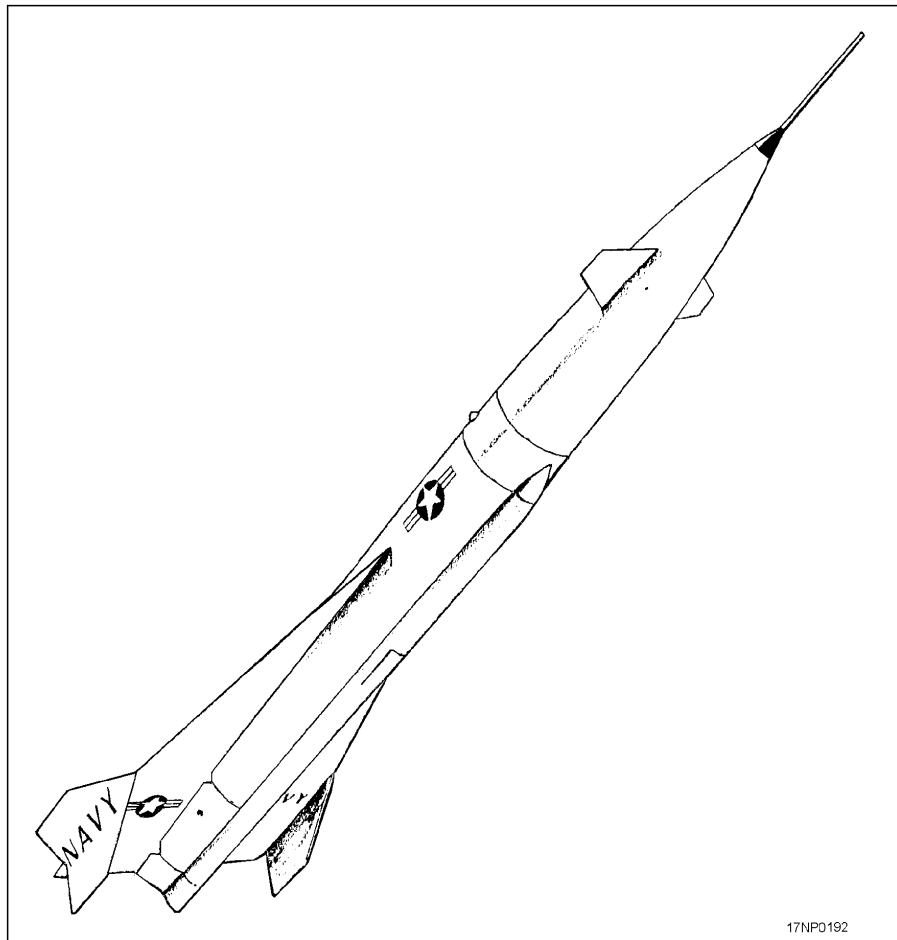


Figure 8-8.—AQM-37C missile target.

used in an air-to-air weapons system. Only one telemetering missile at a time should be shot at a target. After the first missile has destructed, a second shot may be attempted if the target was not destroyed.

### REVIEW NUMBER 2 ANSWERS

- A1. *The one-way reel mounted in the center section of the tow reel pod carries 2,000 feet of 3/16-inch cable or 5,000 feet of 1/8-inch cable on its spool.*
- A2. *The A/A47U-3A tow target launching system consists of an RMK-19A/A47U-3 reeling machine launcher, a PEK-84/A47U-3 reeling machine launcher control, and applicable interconnecting cable assemblies.*
- A3. *The major difference between the A/A47U-3A and A/A47U-4 tow target reeling machine-launcher systems is their weight and size.*
- A4. *The types of steel cables used in target towing are 3/32-inch, 7 by 7 cable; 1/8-inch, 7 by 19 cable; and 1/8-inch, 1 by 19 armored cable.*
- A5. *Cables are frequently inspected because continual use reduces its strength.*
- A6. *The Mk 8 target release ring is made of case-hardened steel alloy.*
- A7. *The Klein "Chicago" grip provides a means of transferring the target drag load from the reel to a structural member of the towing aircraft.*

- A8. *The maximum load that can be applied to the Klein "Chicago" grip is 15,000 pounds.*

### Aerodynamic Destruct System

The AQM-37C missile target's aerodynamic destruct system causes the target to enter a spiral dive to impact. This prevents the target from becoming a hazard to other aircraft or impacting the ground in undesired areas. Any one of four conditions activates the destruct system:

1. Flight timer setting (ground adjustable at 2-minute intervals after 4 minutes of flight time have elapsed)
2. Off-course flight (more than 10-degree heading deviation) for a period of 30 seconds or longer
3. Loss of electrical power or low-battery voltage
4. 12.5 seconds after jettison from the launching aircraft

For further details concerning the AQM-37C missile target, you should refer to *Manual Operational Mission Planning Guide for Navy Model AQM-37C Missile Target*, NAVAIR 01-90TBA-1T. Procedures for loading/unloading of the AQM-37C are contained in the appropriate aircraft airborne weapons/stores-loading manual.

### BQM-74C/E TARGET DRONE

The BQM-74C/E target drone (fig. 8-9) is a high midwing monoplane of conventional design with an

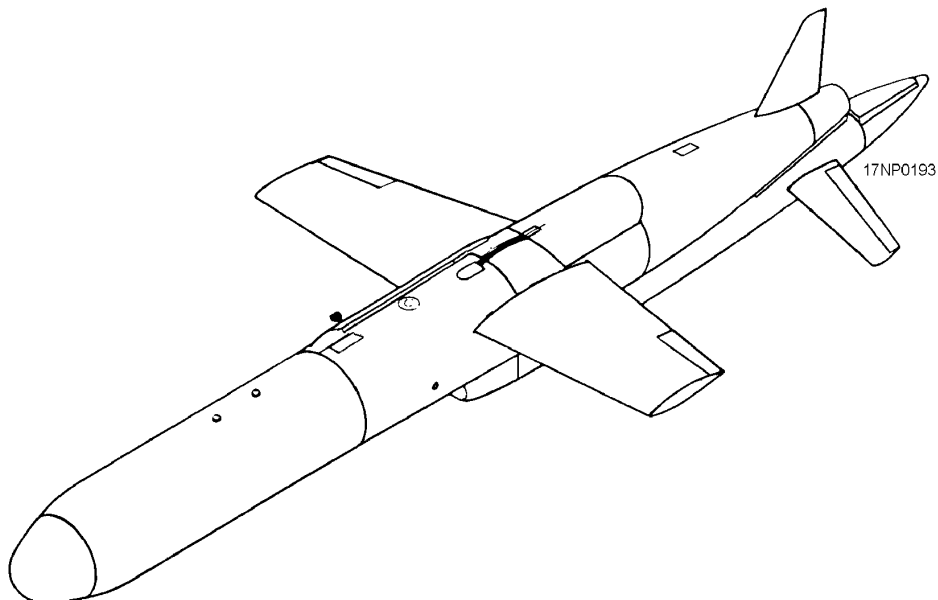


Figure 8-9.—BQM-74C/E target drone.

inverted-Y empennage. The airframe is a modified monocoque structure made of aluminum alloy and reinforced fiberglass construction. There is a vertical rack in the target nose section for mounting equipment. Equipment is mounted on both sides of the rack for convenient equipment removal, installation, and checkout. The target is powered by a YJ400-WR-403 variable speed, turbojet engine, which produces a minimum of 190 pounds (240 pounds of thrust E model) of static thrust at sea level. The 16.2-gallon fuel tank is mounted in the fuselage center section.

The BQM-74C/E target drone is air launched from either the A-6E or TA-4J aircraft. The target can be surface launched from the ground or a ship. The target flight path is remote controlled by radio commands. A gravity-erected, two-axis, vertical displacement gyroscope maintains target stabilization. The target is equipped with a parachute recovery subsystem and an active flotation subsystem. After water entry, these subsystems keep the target afloat for a minimum of 24 hours. The target has retrieval attachments that are compatible with shipboard or helicopter retrieval equipment.

When the basic BQM-74C/E target drone is configured for mobile sea range (MSR) and on-range target (ORT) operations, specific mission-peculiar equipment is added. The mission-peculiar equipment and installation and checkout procedures are listed in *Maintenance Manual Instructions, NAVAIR 01-BQM-74C-2-1*. For further information concerning the basic BQM-74C/E target drone, you should refer to *Maintenance Instructions Target Drone Navy Model BQM-74C/E, NAVAIR 01-BQM-74C-2-2*.

### **BQM-34A/S TARGET SYSTEM**

The BQM-34A/S target system (fig. 8-10) is a recoverable, jet-powered target with a service ceiling of

50,000 feet and a maximum speed of 600 knots. Unlike the AQM-37C, this target requires extensive support equipment and preparation before launching.

### **BQM-34E/T MISSILE TARGET**

The BQM-34E/T missile target is a remotely controlled, supersonic, recoverable target capable of speeds up to Mach 1.7 and altitudes of up to near 60,000 feet. It is propelled by a Y-69 turbojet engine and is capable of performing preset maneuvers up to 5 G.

### **Mk 28 Mod 3**

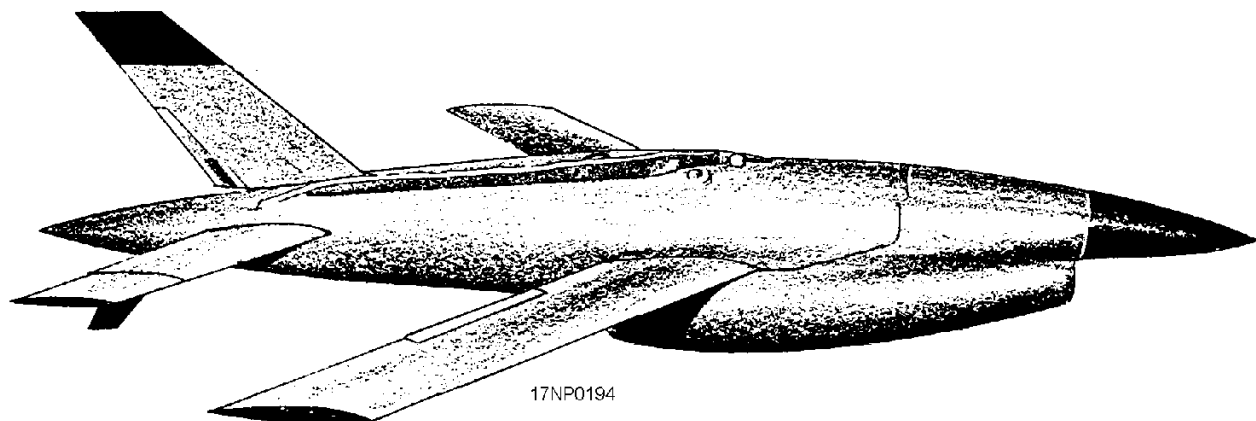
This target flare is used to provide an infrared source on the BQM-74C/E target during missile firings.

### **Mk 37 Mod 0**

This target flare is used to provide an infrared source on the missile target to enhance survivability of the target during missile firings.

### **REVIEW NUMBER 3**

- Q1. List the three aerial targets used by the Navy.*
- Q2. The AQM-37C has a speed range between \_\_\_\_\_.*
- Q3. What means is used to launch the AQM-37C?*
- Q4. What propellant is used in the self-contained propulsion system of the AQM-37C?*
- Q5. What is the purpose of the aerodynamic destruct system of the AQM-37C?*
- Q6. The BQM-74C/E is powered by a \_\_\_\_\_.*
- Q7. What aircraft are used to launch the BQM-74C/E target drone?*



**Figure 8-10.—BQM-34A/S target system.**

Q8. What is the maximum speed of the BQM-34A/S target system?

### AIR-LAUNCHED DECOY

LEARNING OBJECTIVE: *Identify the purpose and use of the air-launched decoy.*

Air-launched decoys are air-launched vehicles whose purpose is to minimize, nullify, or confuse enemy air defense systems.

The tactical air-launched decoy (TALD) (fig. 8-11) is a nonpowered, air-launched, aerodynamic vehicle. The TALD provides false imagery to defense acquisition systems by using chaff/electromagnetic and radar signature augmentation. There are three TALD vehicles: A/B37U-1(V)1, chaff vehicle; A/B37U-1(V)2, RF vehicle; and ADM-141 A, RF vehicle. TALD vehicles are loaded on multiple or triple ejector racks (IMER/ITER/BRU-41/BRU-42). The TALD (fig. 8-12) consists of a nose cone, left and right antenna/wing assembly, an empennage, a vertical stabilizer, left and right stabilizer, a vertical fin, a flight computer, a pilot battery, and a main battery.

### RECORD KEEPING AND REPORTING

LEARNING OBJECTIVE: *Identify the purpose and use of target logbooks, aerial target*

*expenditure reports, and target performance reports.*

Maintenance performed on targets is based on the concept that maintenance should be performed at the lowest maintenance level capable of performing the work. All maintenance is performed in accordance with approved NAVAIRSYSCOM maintenance plans, maintenance instruction manuals, and maintenance requirement cards.

Organizational maintenance activities are responsible for maintaining target logbooks, target discrepancy books, target performance reports, and the Visual Information Display System/Maintenance Action Forms (VIDS/MAFs).

### TARGET LOGBOOKS

Logbooks are maintained for each target, and are the administrative means of providing managers with target age, status, operational history, modification, configuration, and transfer and receiving data. This information is maintained throughout the target's life cycle. Refer to OPNAVINST 8000.16 for a list of all applicable publications for target systems.

### TARGET DISCREPANCY BOOK

The Target Discrepancy Book, maintained by maintenance control, for each target assigned is set up

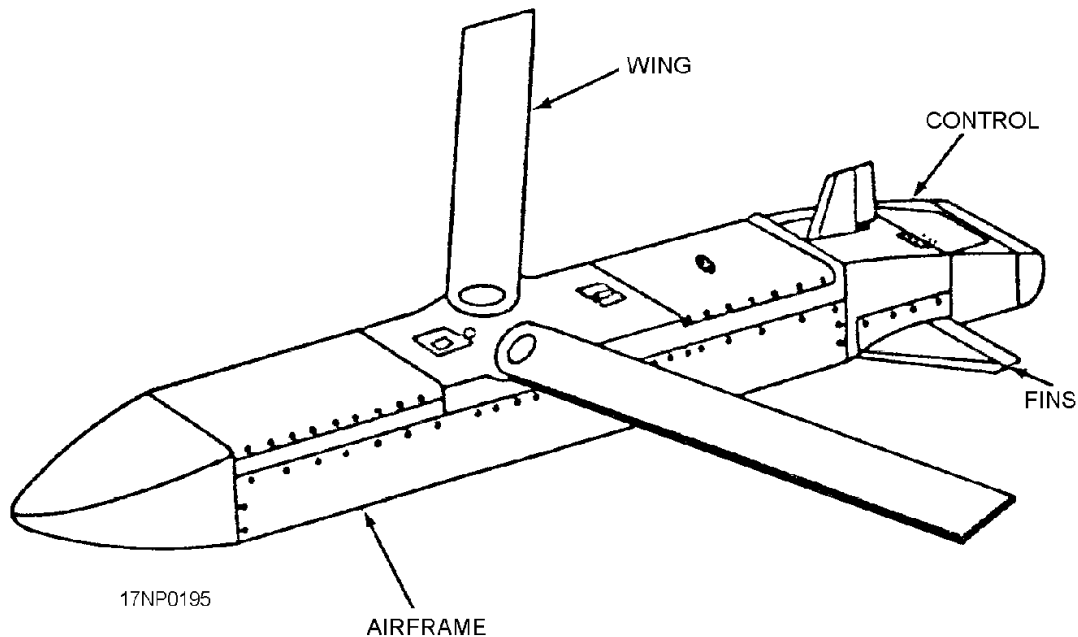


Figure 8-11.—Typical tactical air-launched decoy (TALD).

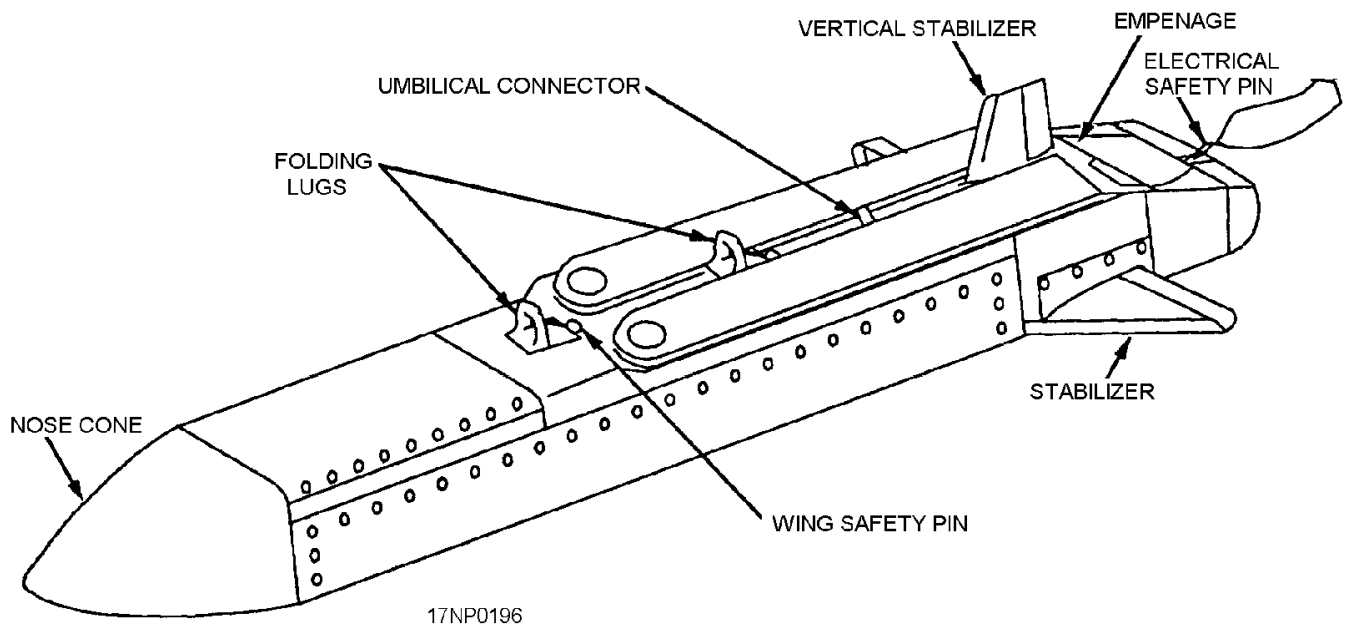


Figure 8-12.—Typical tactical air-launched decoy (TALD) component locations.

by target serial number, which must accurately reflect the status of all pending maintenance requirements as shown on the maintenance control and work center VIDS board. Discrepancy books are not maintained on

tow banners and tow lines. The Aircraft Inspection and Acceptance Record, OPNAV 4790/141 (fig. 8-13) separate flight records on target drones.

AIRCRAFT INSPECTION AND ACCEPTANCE RECORD

OPNAVINST 4790.2D

1. A/C BU/SER NO.	2. T/M/S	3. RPT. CUST.	4. OXY	5. FUEL		6. OIL				7. DATE
				GRADE	QTY	GRADE	1	2	3	
<b>SAMPLE</b>				9. I have personally inspected this aircraft IAW the applicable MRCs/checklists. Any discrepancies noted have been entered on OPNAV Form 4790/38.						
				SIGNATURE OF PLANE CAPTAIN				RANK/RATE		
				10. Certification of safe for flight condition by the MO, MMCO, or MCO. Other persons may sign this for if authorized.						
				SIGNATURE				RANK/RATE		
				11. I have inspected the last ___ discrepancy reports, insure proper filing of weight and balance data and accept this aircraft for flight.						
SIGNATURE OF PILOT IN COMMAND				RANK/RATE						

OPNAV 4790/141 (REV. 2-86) REPLACES OPNAV 3760/2D WHICH MAY BE USED UNTIL SUPPLIES ARE EXHAUSTED S/N 0107-LF-047-9706

17NP0197

Figure 8-13.—Aircraft Inspection and Acceptance Record.

### TARGET PERFORMANCE REPORT (TPR)

1. OPs Act 3M ORIG/UID	2. Act Report No.	2a Revised	3. Date From (YYDD)	4. TARGET TYPE	5. TARGET SERIAL NUMBER	10. TARGET AUGMENTATION/AUXILIARY SYSTEMS USED  (S=Satisfactory/U=Unsatisfactory):	
				AQM-37C    QF-4N BQM-34S    QF-86F BQM-74C    TDU-34A BQM-74E    TDU-34A/A MQM-8G    QLT-1C MQM-8GER			
6. TARGET DISPOSITION				7. POC:			8. USER
REUSABLE OPERATIONAL EXPEND HIT & KILLED ADMIN EXPEND				DSN & COMMERCIAL:			
9. Multiple Target Operation				11. TARGET LAUNCH PLATFORM			RADAR AUG: TWT SOLID STATE AMPLIFIER CORNER REFLECTOR LUNEBERG LENS
Target Type: Serial Number: Target Type: Serial Number:				TYPE    SPEED (KIAS/MACH)    ALTITUDE A/C    KIAS    ALTITUDE GROUND    MACH:    ● SHIP			
12. PRIMARY MISSION				13. TYPE PRESENTATION			ELECTRONIC/IR ALE-29 ALE-33 ALE-44 AN/ALQ-167 AN/DLQ-3 AN/JLQ-21
FLEET TRAINING MSR TARGET TEST T&E WEAPON FIRING OTHER:				FIRING TESTING TRACKING OTHER:			
16. TOTAL TARGET				14. TARGET OPERATIONAL INFORMATION			VISUAL AUG/CM EQUIP: BANNERS REFLECTORS SMOKE STROBE LIGHT EMIT/SEEK SIM: AN/AST-4 AN/DPT-1 AN/DPT-2 AN/DPT-2A ARME
FLIGHT TIME (MM:SS)				TARGET    KIAS    MACH    ALTITUDE MIN MAX AT FOX			
15. SHOOTER				18. AERIAL TARGET		SCORING: AN/DRQ-4A AN/DRQ-4B AN/DSQ-37 AN/DSQ-50 KS-161-A WISS	
TYPE SHIP AND/OR AIRCRAFT    QUANTITY: 1 2 3				OPERATIONAL SEQUENCES S=SAT/U=UNSAT/A=ABORT LAUNCH FLIGHT RECOVERY RETRIEVAL			
				19. TOW SYSTEMS DATA		LOC AT/TBK BEACON: AN/DPN-78 AN/DPN-68 DKT-59TM DPN-90(V1) DPN-90(V2) RT-1203/D T-1438/D	
				REEL TYPE    TOW TARGET RMK-19    OPERATIONAL SEQUENCES RMK-31    S=SAT/U=UNSAT/A=ABORT RMK-34    LAUNCH CABLE SIZE    REEL OUT CABLE LENGTH    OPERATION REEL IN RETRIEVAL			
				TYPE WEAPON(S) FIRED    QTY/RNDS    WARHEAD TYPE    EFFECT ON TARGET    TARGET MANEUVER AT FOX		MAIL COMPLETED TPR TO: COMMANDER CODE - P38522 NAVAIRWARCENWPNDIV 521 9TH STREET POINT MUGU CA 93042-5001	
1				INERT    TM    W/H    NOT HIT    HIT    H&K    CLIMB    DIVE    JINK    TURN    NONE			
2				INERT    TM    W/H    NOT HIT    HIT    H&K    CLIMB    DIVE    JINK    TURN    NONE			
3				INERT    TM    W/H    NOT HIT    HIT    H&K    CLIMB    DIVE    JINK    TURN    NONE			
20. REMARKS:							

OPNAVINST 8600/15 (REV 6-94)

Figure 8-14.—Target Performance Report.



## TARGET PERFORMANCE REPORTS

The information contained on a Target Performance Report targets performance, and is consolidated into an automated database for Navywide use. Target performance data is submitted on OPNAV 8600/15 (fig. 8-14).

## TARGET EXPENDITURE REPORTING

Target operating activities are required to transmit a message report (fig. 8-15) within 24 hours of target loss listing target, serial number, calendar date, activity charged, weapons system used. All aerial towed targets (TDU-32, TDU-34, etc.) may be transmitted weekly. Reports must be timely and accurate because they are used to determine allocations for the current fiscal year and out years.

### REVIEW NUMBER 3 ANSWERS

- A1. *The three aerial targets used by the Navy are the AQM-37C, BQM-74C, and BQM-34A/S.*
- A2. *The AQM-37C has a speed range between Mach 0.7 and Mach 4.0.*
- A3. *The AQM-37C is an air-launched target.*
- A4. *LR-64 liquid propellant is used in the self-contained propulsion system of the AQM-37C.*
- A5. *The aerodynamic destruct system of the AQM-37C is used to prevent the target from becoming a hazard to other aircraft and from impacting the ground in undesired areas.*
- A6. *The BQM-74C/E is powered by a YJ400-WR-402 variable speed, turbojet engine.*
- A7. *The A-6E and TA-4J aircraft are used to launch the BQM-74C/E target drone.*
- A8. *The maximum speed of the BQM-34A/S target system is 600 knots.*

### SAFETY PRECAUTIONS

**LEARNING OBJECTIVE:** *Identify safety precautions to follow when working with aerial targets and associated equipment.*

There are many safety precautions associated with the target towing service. Some of these safety precautions are:

- Preservatives and lubricants may NOT be used on tow cables. Friction caused by high-speed reeling-out generates heat. This heat can generate explosive vapors from the lubricants in the tow compartment.
- A cable should be uncoiled by standing the coil on its edge, holding the end, and unrolling the coil. Do NOT attempt to take cable from either a coil or roll by pulling the cable when the coil or roll is lying flat. The cable will snarl and kink.
- When you cut nylon towline, the ends have to be bound. Otherwise, apply enough heat to the cut ends to melt the nylon. This prevents raveling.
- Safety tow webbing must be used between the target and the end of the towline. When the pilot shoots off the towline, this webbing can prevent it from becoming tangled in the target. Multistrand safety webbing's (100 feet long) are used with banner targets.
- The snarl catcher must NOT be used during air-to-air gunnery exercises. It may clamp on the towline before it reaches the end of the cable. This means there will be a long, free section of the cable whipping about behind the target.
- All personnel involved in target towing operations must know the standard hand signals for controlling aircraft on the ground.
- Perform a preflight inspection of all tow equipment.
- Make sure you are clear of the cable when launching a target.
- Do NOT wear loose clothing when operating rewind equipment. Keep your hands clear of moving parts when the equipment is in operation.
- Observe RADHAZ precautions when working with cable cutting cartridges and tracking flares.
- Exercise caution when it is necessary to work in close proximity of pneumatic, hydraulic, spring, or cartridge-operated components.

FM ACTIVITY

TO COMNAVAIRWARCENWPNDIV POINT MUGU CA//P3855//

INFO TYCOM//AIRLANT//AIRPAC//  
PEOCMPANDUAV WASHINGTON DC//PMA-208//  
CDM CHARGED//

BT

UNCLAS //N08840//

SUBJ: AERIAL TARGET EXPENDITURE REPORT//

MSGID/GENADMIN/

REF/A/DOC/OPNAVINST 3110.18S

REF/B/DOC/OPNAVINST 8600.2B

NARR/REF A IS OPNAVINST 3110.18S. REF B IS OPNAVINST 8600.2B TARGET EXPENDITURE REPORTING REQUIREMENTS//

POC/ / /DSN /TEL: //

RMKS/1. FOL AERIAL TARGETS EXPENDED IS REPORTED IAW REFS A AND B

TGT TYPE	SER NBR	DATE	CMD CHARGED	WEAPONS SYS
BQM-74C	123456	10 FEB 93	CNAL	HIT & KILLED 76MM

BT

17NP0199

Figure 8-15.—Aerial Target Expenditure Report.

## CHAPTER 9

# AMMUNITION HANDLING EQUIPMENT

How you handle aviation ammunition depends on the time, place, and situation. The ammunition and explosives handling task is hazardous. Equipment is designed so you can safely handle ammunition in any given situation. This includes railroad, industrial, and automotive equipment used for transporting ammunition. It also includes equipment used to manually handle ammunition, such as skids, pallets, carriers, and aircraft loading equipment.

Often, the equipment you use to handle ammunition afloat and ashore are the same. However, differences in stowage accommodations, fixed installations, working areas, and space limitations require the use of equipment and techniques especially designed for the job. Regardless of the situation, only use the equipment designed for a particular task and approved by NAVSEASYSKOM or NAVAIRSYSKOM.

You can identify the command that has control over a particular item of ammunition handling equipment by the item designation. If Mark and Mod number designations identify the item, NAVSEASYSKOM controls it. If the item is identified by designations,

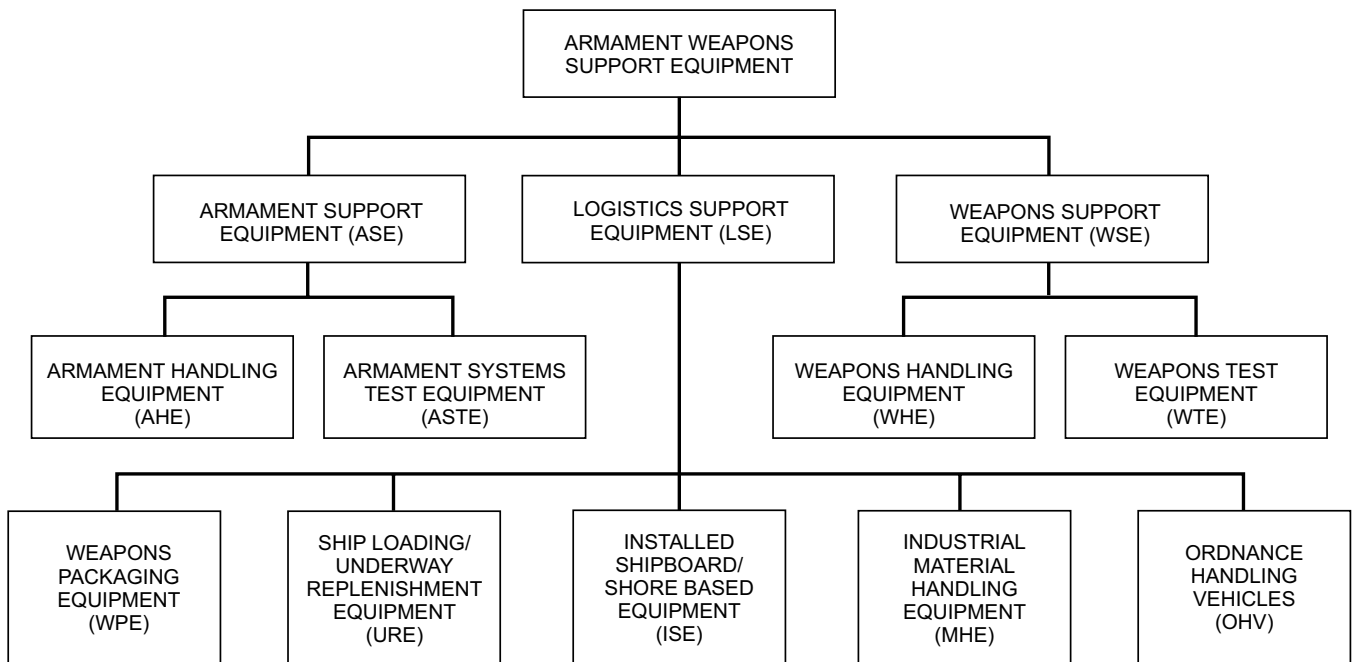
such as Aero, ADU, ADK, and HLK, NAV-AIRSYSKOM controls it.

The number and availability of different ammunition handling equipment configurations are extremely large. The equipment that is routinely used by most of the operating units (ashore and afloat) is discussed in the following paragraphs. You can find a complete listing and description of approved handling equipment in *Approved Handling Equipment for Weapons and Explosives*, NAVSEA OP 2173, Volume 1 (NAVAIR 19-100-1.1) and Volume 2 (NAVAIR 19-100-1.2).

### ARMAMENT WEAPONS SUPPORT EQUIPMENT

**LEARNING OBJECTIVE:** *Identify the categories and subcategories of armament weapons support equipment.*

Armament weapons support equipment (AWSE) is support equipment required on the ground. The AWSE is classified as either common or peculiar and may be avionics or nonavionics. There are three subcategories (fig. 9-1), armament support equipment (ASE),



AOfo901

Figure 9-1.—Armament weapons support equipment breakdown.

weapons support equipment (WSE), and logistics support equipment (LSE).

## ARMAMENT SUPPORT EQUIPMENT

The ASE includes all equipment whose primary function is to support the installed aircraft systems and is used primarily by an aircraft intermediate maintenance department or squadron.

**Armament Handling Equipment** includes special tools used to support the aircraft in providing handling, movement, installation, configuration, arming, loading and downloading of air-launched weapons, airborne armament systems, or weapon related components. Armament handling equipment includes bomb hoists, single hoist loading systems, weapon loaders, boresights, and special tools used to remove, replace, repair, test, assemble, or service aircraft bomb racks, missile launchers, installed machine guns, or gun pod units.

## WEAPONS SUPPORT EQUIPMENT

The WSE includes all equipment whose primary function is to support explosive ordnance components or weapons. The WSE is divided into two categories, weapons handling equipment and weapons test equipment.

**Weapons Handling Equipment** includes both peculiar and common ordnance handling and transportation equipment, as well as tools used for canning and decanning, magazine handling, and assembly of weapons or ordnance-related commodities. The WSE includes hoisting beams, weapons carriers, strongbacks, handlift trucks, weapon skids, trailers, bomb trucks (nonself-powered), and their associated weapons assembly tables, maintenance stands, and other weapon-related equipment. The WSE supports both air- and surface-launched weapons.

## LOGISTICS SUPPORT EQUIPMENT

The LSE consists of equipment used for packaging, bulk handling storage, or stowage and transportation of weapons and weapon components within the weapon logistics cycle. LSE includes weapons packaging equipment, ship loading or underway replenishment equipment, installed shipboard or shore-based equipment, and industrial materials handling equipment.

**Weapons Packaging Equipment** consists of missile containers, pallets, boxes, and fleet-issue unit loads that contain ordnance and ancillary equipment.

**Ship Loading and Underway Replenishment Equipment** consists of connected replenishment slings, vertical replenishment pole pendants, spreader bars, beams, missile transfer dollies, etc.

**Installed Shipboard or Shore-Based Equipment** includes dunnaging, C-grabs, birail or monorail hoist, tie-downs, davits, bomb elevators, conveyors, and other fixed or moveable handling equipment.

**Industrial Material Handling Equipment** includes forklifts, warehouse tractors, pallet trucks, platform trucks, etc.

## PALLETS

**LEARNING OBJECTIVE:** *Identify the purpose and use of pallets to include safe loads.*

A pallet is a wood or metal platform used to stack material for movement from one area to another. You use pallets to store and handle bombs, cartridge tanks, projectiles, rocket containers, rocket heads, rocket motors, and unit loads. When live ammunition and explosives are involved, use metal pallets. Metal pallets are more durable than wood pallets, are not subject to warping, and do not present a fire hazard.

## STANDARD FOUR-WAY WOOD PALLET

The standard four-way pallet (fig. 9-2) is a nine-post wood pallet that provides four-way entry for forklift and pallet trucks. The wings (overhang) at each end allow sling installations. The slots in the two top-deck members are used to install steel strapping, which provides load restraint. The pallet measures 48 inches in length and 40 inches in width. It has a safe working load (SWL) of 4,000 pounds. It is a general-purpose pallet used primarily for shipment of domestic unit loads of ordnance.

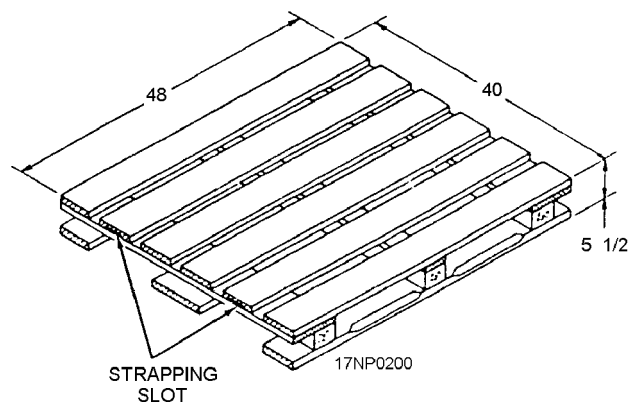


Figure 9-2.—Standard four-way pallet.

### MK 3 MOD 0 PALLET

The Mk 3 Mod 0 pallet (fig. 9-3) is a steel wire weldment. The deck is made of steel wire, formed into a grid pattern of 2-inch squares, and is welded to the deck supports. Nine steel deck supports are welded to the bearing plates and to the deck. The complete pallet is galvanized. The pallet measures 48 inches in length and 40 inches in width. It has an SWL of 4,000 pounds.

The Mk 3 Mod 0 pallet is a general-purpose, four-way pallet used to handle unit loads aboard ship and at shore stations. A forklift or pallet truck is used to transport and stack loads. It is also used to hoist loads, by using pallet slings. The Mk 3 Mod 0 pallet is used for fleet issue unit loads.

### MK 12 MOD 1 PALLET

The Mk 12 Mod 1 pallet (fig. 9-4) is a steel wire and formed sheet steel weldment. It consists of a deck, supports, and runners. The deck is made of steel wire bent and assembled into a grid pattern of 2.5-inch squares. The deck is welded to supports and runners. Steel edge strips protect the wire endings. The pallet measures 45.5 inches in length and 35 inches in width. It has an SWL of 4,000 pounds.

The Mk 12 Mod 1 pallet is a four-way pallet used to palletize weapon components and containers for storage, handling, and shipping. This pallet is used to transport and stack loads, by using a forklift or pallet truck and to hoist loads by using pallet slings. The Mk 12 Mod 1 pallet is used for fleet issue unit loads.

### AMMUNITION PALLET CRATE

The ammunition pallet crate (fig. 9-5) comes in four sizes with a capacity of 4000 pounds each. It consists of a steel four-way pallet on which steel wire sides and ends are attached to form an open-top container. One end of the pallet crate is removable. A hinge is located in the center so the top half folds down over the lower half for loading and unloading

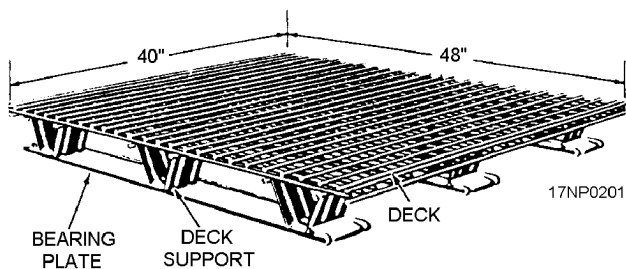


Figure 9-3.—Mk 3 Mod 0 pallet.

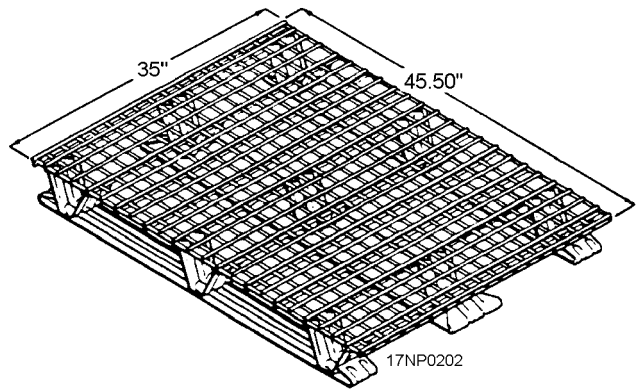


Figure 9-4.—Mk 12 Mod 1 material handling pallet.

operations. Twelve locks secure the sides and ends, and four lifting eyes allow it to be used with hooks on appropriate slings. The deck supports are designed for stacking.

The ammunition pallet crate is used at naval shore activities to handle loose ammunition and inert items during on-station handling and transportation. This pallet is particularly useful in combatant ship loadouts or offloads at dockside or anchorage where palletization is either impractical or inefficient. Projectiles, cartridges, and powder tanks up to 6 inches in diameter, boxed ammunition, and various inert loads are typical of the items handled with this pallet crate.

### REVIEW NUMBER 1

- Q1. For a complete listing and description of approved handling equipment, you should look in \_\_\_\_\_.

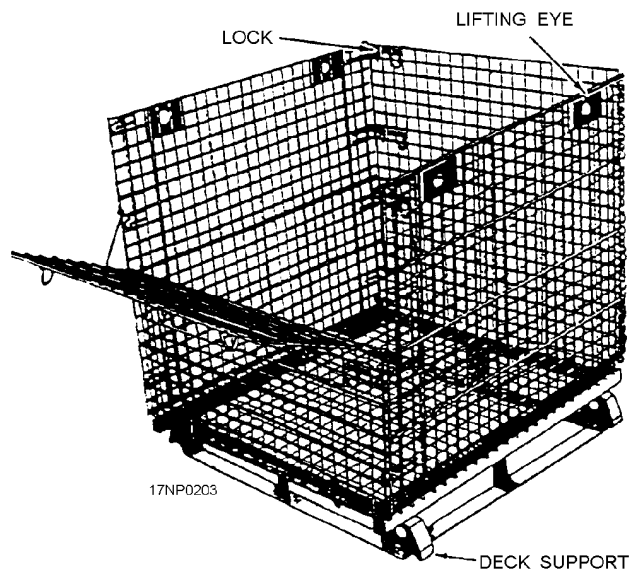


Figure 9-5.—Ammunition pallet crate.

- Q2. What is the general purpose of the standard, four-way, wood pallet?
- Q3. What is the safe working load (SWL) of the Mk 3 Mod 0 and Mk 12 Mod 2 pallets?
- Q4. What is the purpose of ammunition pallet crates?

## CARRIERS

**LEARNING OBJECTIVE:** *Identify weapons carriers and recognize their purpose and use.*

Carriers are a quick and safe means of attaching a crane cable or other hoisting device to ammunition for movement from one area to another. Some carriers are designed for horizontal lifting and some for vertical lifting. Others are used for both horizontal and vertical lifting. Vertical carriers are used for surface-employed ammunition; therefore, only horizontal carriers are discussed in the following paragraphs.

### MK 43 MOD 1 WEAPONS CARRIER

The Mk 43 Mod 1 weapons carrier (fig. 9-6) is made of a 5/8-inch steel plate with two safety hooks attached by shackles. The carrier has two sets of holes for attaching the safety hooks, one set spaced at 16 7/8 inches and the other at 14 inches. It is used in conjunction with two Mk 49 Mod 1 weapons carriers to lift Mk 82 bombs (500 pounds) in tandem off different skids and trailers.

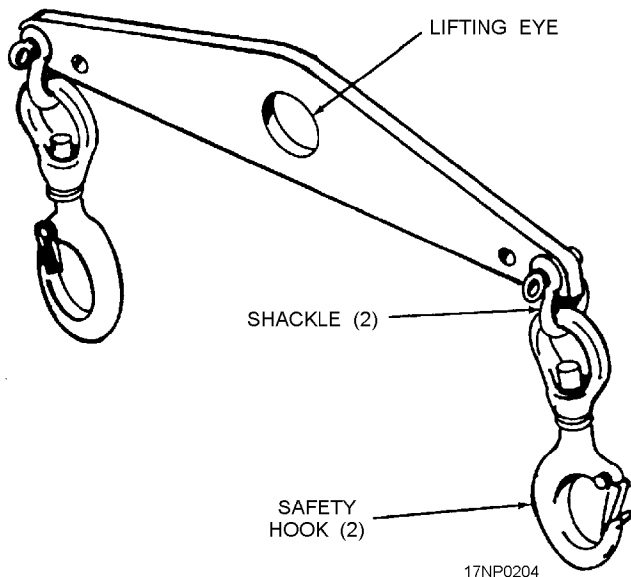


Figure 9-6.—Mk 43 Mod 1 weapons carrier.

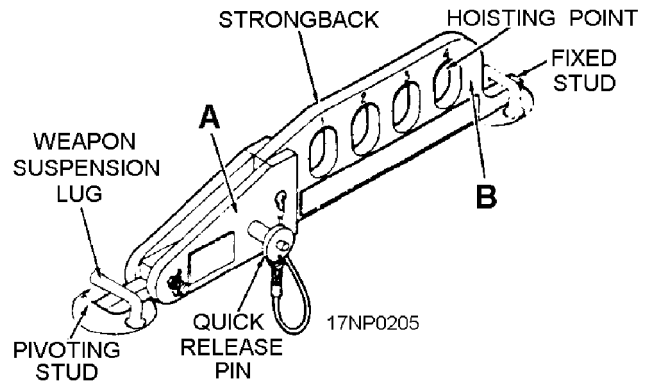


Figure 9-7.—Mk 49 Mod 1 weapons carrier.

### MK 49 MOD 1 WEAPONS CARRIER

The Mk 49 Mod 1 weapons carrier (fig. 9-7) is constructed of two steel plates welded together. It has four hoisting points and two attaching studs. A fixed stud at the B end of the strongback is engaged in one of the weapon suspension lugs. Then, the pivoting stud at the A end is engaged in the remaining lug and locked in place with a quick-release pin. The Mk 49 Mod 1 weapons carrier is used for horizontal lifting of weapons with 14-inch suspension lugs and it has an SWL of 2,500 pounds.

### MK 51 MOD 1 WEAPONS CARRIER

The Mk 51 Mod 1 weapons carrier (fig. 9-8) is an aluminum channel that is plate-carrier fitted with two steel hooks. A fixed position hook with a spring-loaded pinned latch is located at the aft end of the carrier. The forward hook is adjustable to let you attach the carrier

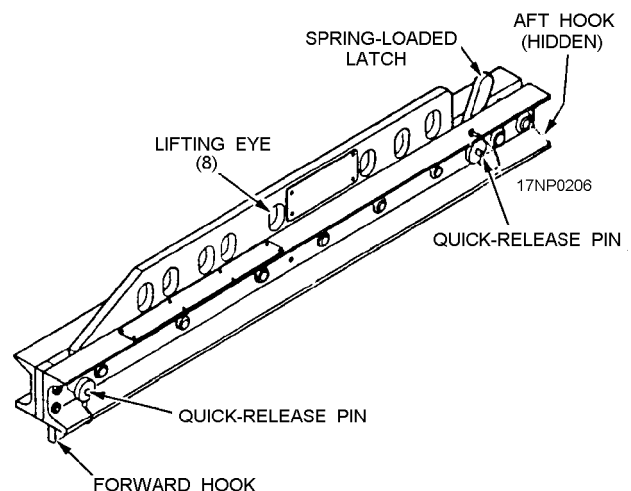


Figure 9-8.—Mk 51 Mod 1 weapons carrier.

to weapons or stores with 14- or 30-inch suspension lugs. The forward hook is held in place by a quick-release pin. Eight lifting eyes allow you to handle weapons with different centers of gravity.

Before you attach the carrier to the load, put the adjustable hook in the appropriate suspension placement hole, which is held in place by a quick-release pin. With the spring-loaded latch unpinned and depressed, the carrier hooks are engaged with the weapon lugs. Release the spring-loaded latch and pin the latch in place with a quick-release pin to secure the load. An instruction plate, mounted on the carrier, makes it easier for you to match the correct lifting eye to the load. The Mk 51 Mod 1 weapons carrier is used for horizontal lifting. It has an SWL of 4,000 pounds.

### REVIEW NUMBER 2

- Q1. What is the purpose of a carrier?
- Q2. The Mk 49 Mod 1 weapons carrier is constructed of \_\_\_\_\_.
- Q3. The Mk 49 Mod 1 and Mk 51 Mod 1 weapons carriers are used to \_\_\_\_\_.
- Q4. What is the SWL of the Mk 51 Mod 1 weapons carrier?

### STANDS

**LEARNING OBJECTIVE:** Recognize the purpose and use of stands to include the A/E32M-4 maintenance and reconfiguration stand, the A/F 32K-1/1A bomb assembly stand, and the A/F32K-10 small bomb assembly platform stand.

Stands are metal frameworks used to support a weapon that is being assembled or maintained. Stands may be immobile or equipped with pivoting casters. The stands discussed in the following paragraphs are of the immobile type.

### A/E32M-4 MAINTENANCE AND RECONFIGURATION STAND

The A/E32M-4 maintenance and reconfiguration stand (fig. 9-9) is made of steel and aluminum. The stand consists of maintenance ring assemblies MXK-663/E32M-4 (forward), MXK-664/E32M-4 (aft), and deck post assembly MXK-665/E32K-4 that supports each ring assembly. The ring assemblies can

be rotated 180 degrees for convenient load accessibility.

The A/E32M-4 maintenance and reconfiguration stand is used to hold the F-14 aircraft weapons rail during general maintenance. It is also used for configuring the F-14 weapons rail with associated bomb racks.

### REVIEW NUMBER 1 ANSWERS

- A1. For a complete listing and description of approved handling equipment, you should refer to NAVSEA OP 2173, Volume 1.
- A2. The general purpose of the standard four-way wood pallet is for use when shipping domestic unit loads of ordnance.
- A3. The safe working load (SWL) of the Mk 3 Mod 0 and Mk 12 Mod 2 pallets is 4,000 pounds.
- A4. Ammunition pallet crates are used at naval shore activities to handle loose ammunition and inert items during on-station handling and transportation.

### REVIEW NUMBER 2 ANSWERS

- A1. A carrier is used as a quick and safe way of attaching a crane cable or other hoisting device to ammunition for movement from one area to another.
- A2. The Mk 49 Mod 1 weapons carrier is constructed of two steel pallets welded together.
- A3. The Mk 49 Mod 1 and Mk 51 Mod 1 weapons carriers are used to lift weapons with 14-inch suspension lugs. The Mk 51 Mod 1 carrier can also lift weapons with 30-inch suspension lugs.

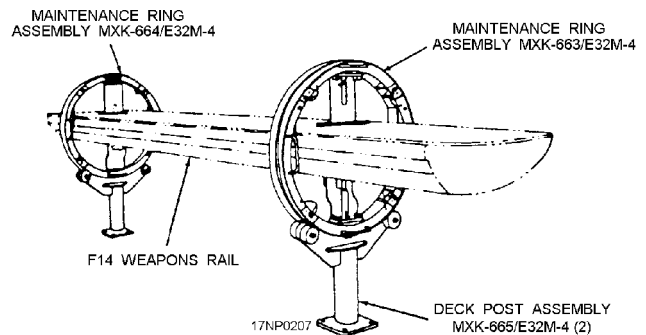


Figure 9-9.—A/E32M-4 maintenance and reconfiguration stand.

A4. The SWL of the Mk 51 Mod 1 weapons carrier is 4,000 pounds.

### A/F 32K-1/1A BOMB ASSEMBLY STAND

The A/F 32K-1/1A bomb assembly stand (fig. 9-10) consists of three interchangeable and interlocking 49-inch sections. The stand must be secured to the deck. It has four trays that are placed on top of conveyor rollers to permit a 360-degree rotation of the weapon. Stops are located at each end to prevent the trays from moving beyond the end of the conveyor. Each of the sections is collapsible for stowage purposes.

The stand is designed to support Mk 80 series general-purpose bombs during the assembly process. However, the stand may be used to support various other weapons during the assembly process.

### A/F32K-10 SMALL BOMB ASSEMBLY PLATFORM STAND

The A/F32K-10 small bomb assembly platform stand (fig. 9-11) consists of two table assemblies, a

center insert, and three tray assemblies. Rollers are permanently affixed to the tables. Folding legs located at both ends of each table assembly provides support, which are unfolded and pinned into position. An insert is placed in the gap between the tables and secured with four bolts. There are also three tray assemblies with rollers on top. When placed on the main stand assembly, the trays ride on the permanent rollers, allowing them to be pushed along the length of the stand. The top-mounted rollers actually contact the skin of the weapon and support its weight, permitting a 360-degree rotation of any weapon and allowing access to screws and other parts.

The A/F32K-10 is primarily designed for use on amphibious assault ships (LPH/LHA/LHD). It is used in a predesignated magazine or bomb assembly area in conjunction with an overhead rail and hoist system for assembling bombs of various weights and sizes.

### HOISTING BARS

LEARNING OBJECTIVE: *Recognize the purpose and use of hoisting bars.*

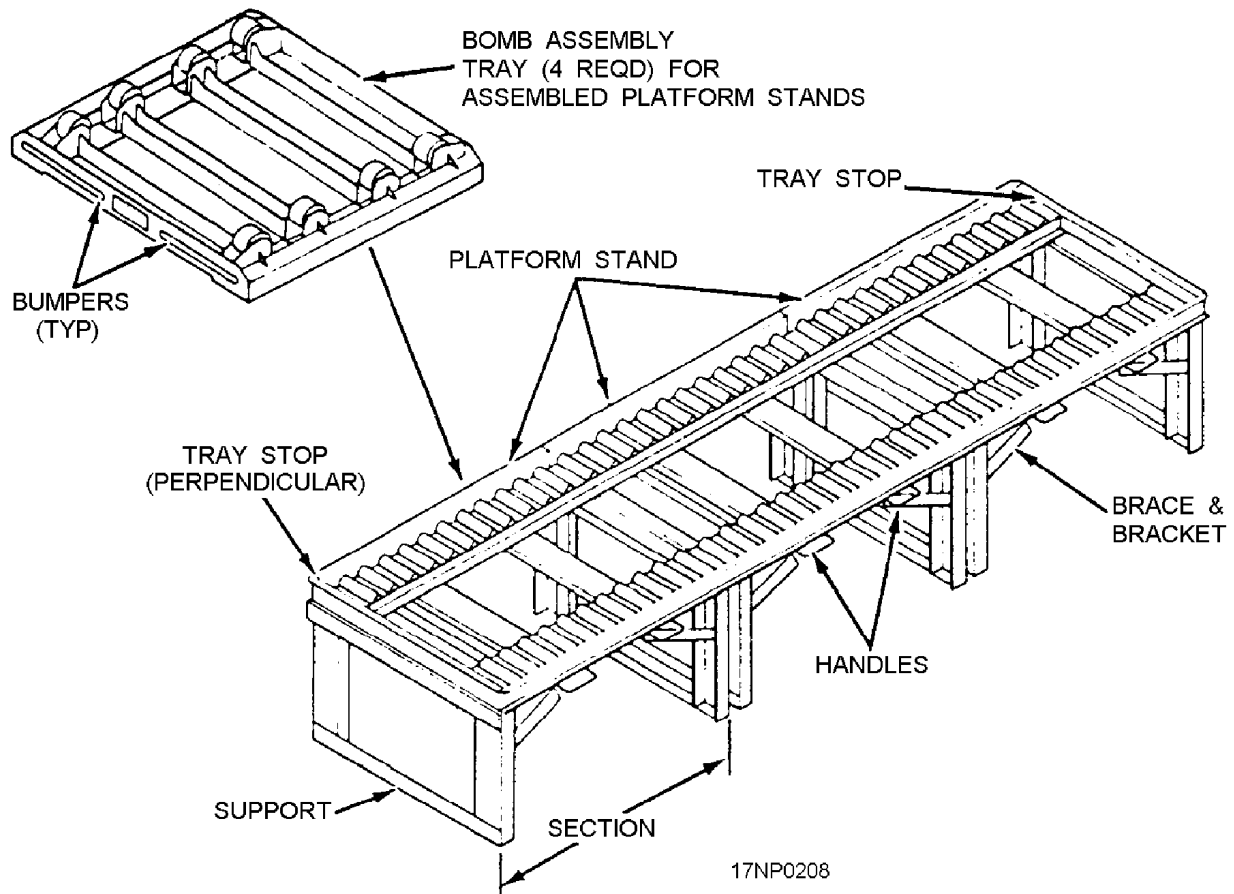


Figure 9-10.—A/F 32K-1/1A bomb assembly stand.



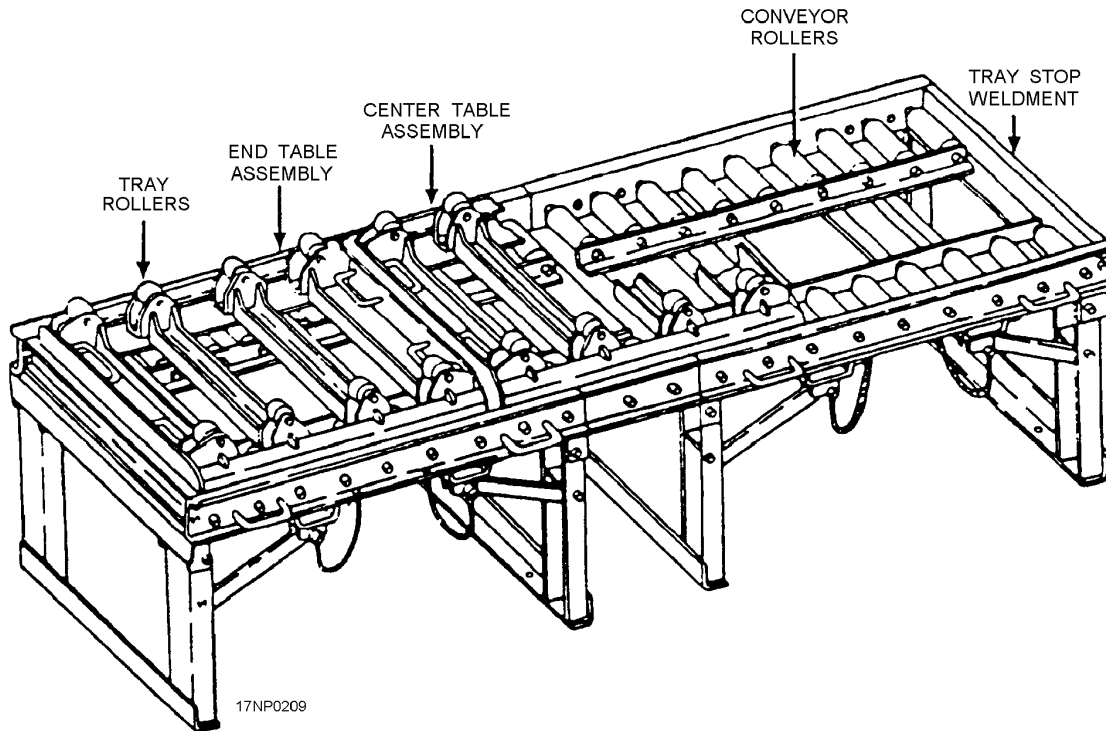


Figure 9-11.—A/F32K-10 small bomb assembly platform stand.

Hoisting bars are used for carrying, lifting, and handling weapons. They are normally used during weapons handling and loading evolutions.

#### AERO 64A1 HOISTING BAR

The Aero 64A1 hoisting bar (fig. 9-12) consists of a cradle, strap, and two carrying handles. The cradle is a

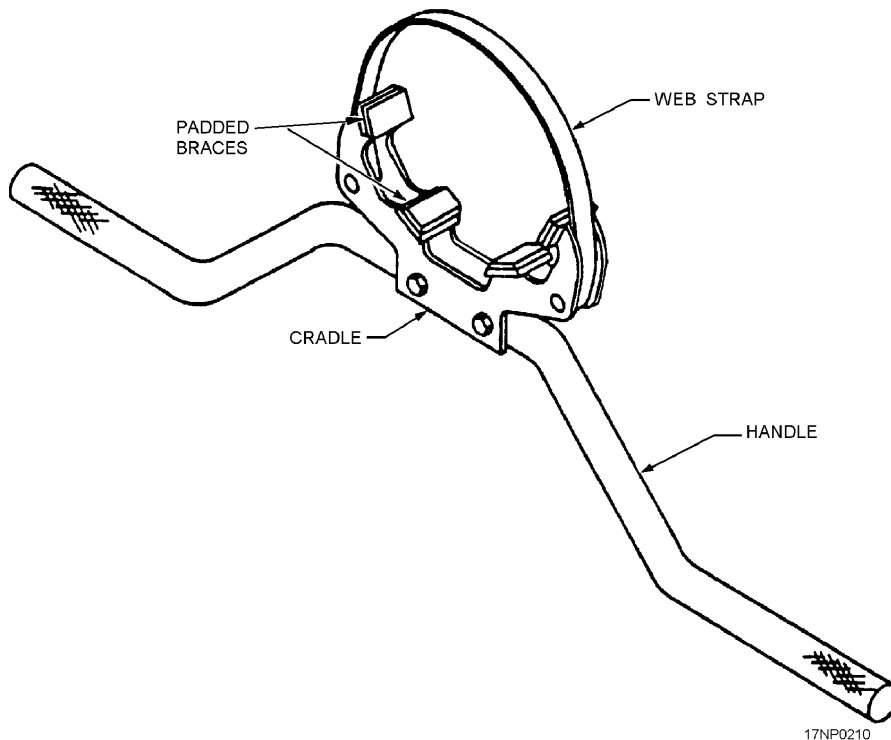


Figure 9-12.—Aero 64A1 hoisting bar.

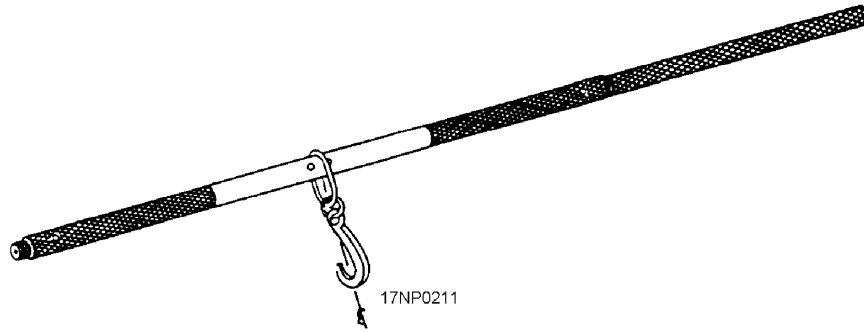


Figure 9-13.—Aero 68A hoisting bar.

weldment frame that has four padded braces. The handles have knurled gripping surfaces. A missile is secured in the cradle by a web strap attached to the tie-down assembly and the bar buckle.

Two Aero 64A1 hoisting bars must be used to manually lift a Sparrow missile from a missile skid to an aircraft wing or fuselage-mounted launcher.

### AERO 68A HOISTING BAR

The Aero 68A hoisting bar (fig. 9-13) is a bar within a bar that has a hook assembly attached. Extending the internal bars 15 7/8 inches each can increase the length of the bar.

To manually lift the weapon, you must hook the Aero 68A hoisting bar into the weapon lugs. This bar is used to handle or transport any weapon having standard lugs. Weapons weighing up to 1,000 pounds can be lifted if two bars are used.

### HLU-256/E MANUAL HOISTING BAR

The HLU-256/E manual hoisting bar (fig. 9-14) consists of a round steel bar with a removable bomb nose plug connector and tail stop plates on one end. A quick-release pin secures the nose plug connector to the bar. When a tee configuration is desired, the nose plug can be relocated to a position at the bar's midpoint. The opposite end of the bar can be used as a lift point in the bomb's tail end. A tail stop is situated 18 inches from this end of the bar.

The HLU-256/E manual hoisting bar is used to manually lift Mk 80 series general-purpose bombs that weigh up to 1,000 pounds during aircraft loading/unloading operations. It is also used for weapons assembly purposes.

### REVIEW NUMBER 3

Q1. What is the purpose of stands?

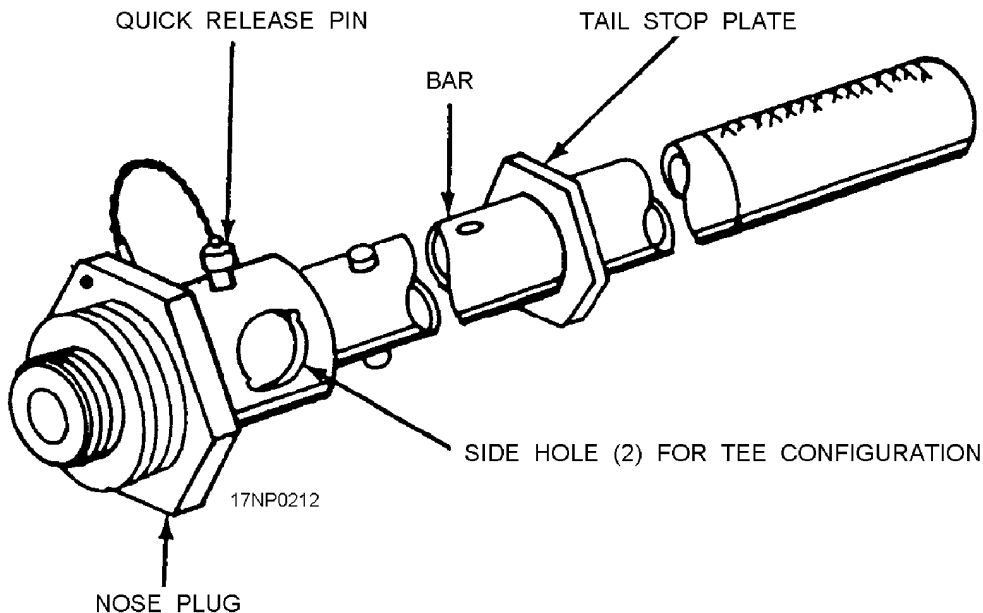


Figure 9-14.—HLU-256/E manual hoisting bar.

- Q2. What maintenance ring assembly is used with the A/E32M-4 maintenance and reconfiguration stand?
- Q3. What is the purpose of the A/E32M-4 maintenance and reconfiguration stand?
- Q4. What is the maximum rotation of the A/F 32K-1/1A bomb assembly stand?
- Q5. The Aero 64A1 hoisting bar is used to \_\_\_\_\_.
- Q6. When you use two Aero 68A hoisting bars, what is the maximum weight that can be lifted?
- Q7. What hoisting bar is used to manually lift Mk 82 bombs?

### BEAMS

**LEARNING OBJECTIVE:** Recognize the purpose and use of beams and identify the loads that each carries.

A beam is a rigid metal item that has an I, H, T, or circular cross section. The rigid portion is fitted with a lifting eye, a sling or sling attaching points, and devices for attaching a load.

### MK 18 MOD 1 HANDLING BEAM

The Mk 18 Mod 1 handling beam (fig. 9-15) is a structural steel weldment that consists of a cylindrical beam with a lifting eye at its center of gravity and hook-extender assemblies with safety hooks at each end. The Mk 18 Mod 1 is used during connected underway replenishment operations for transferring palletized unit loads. The beam is designed for coupling with cargo hoisting assembly Mk 20 Mod 0, and normally it is used with adjustable pallet slings for making the transfer.

### REVIEW NUMBER 3 ANSWERS

- A1. Stands are used to support a weapon being assembled or maintained.
- A2. The MXK-663/E32M-4 (forward) maintenance ring assembly is used with the A/E 32M-4 maintenance and reconfiguration stand.
- A3. The A/E 32M-4 maintenance and reconfiguration stand is used to hold the F-14 aircraft weapons rail during general maintenance.

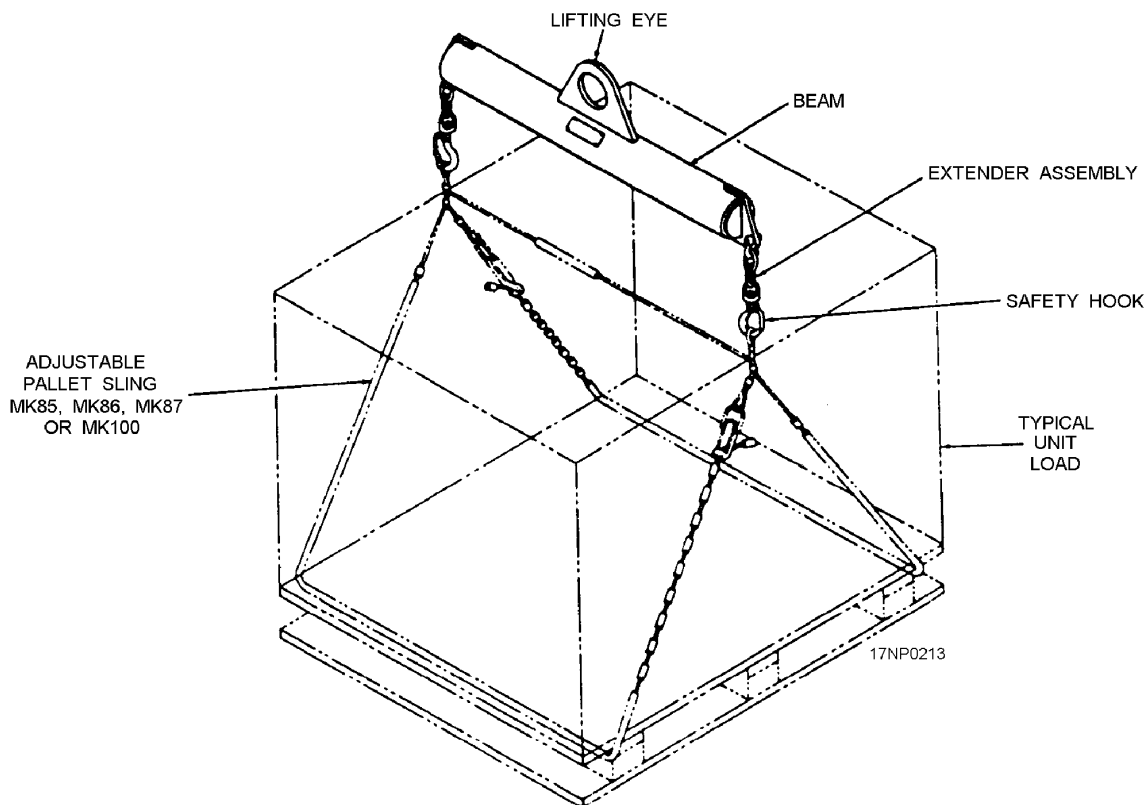


Figure 9-15.—Mk 18 Mod 1 handling beam.

- A4. *The maximum rotation of the A/F 32K-1/1A bomb assembly stand is 360 degrees.*
- A5. *The Aero 64A1 hoisting bar is used to manually lift Sparrow missiles.*
- A6. *When using two Aero 68A hoisting bars, 1,000 pounds is the maximum weight that can be lifted.*
- A7. *The HLU-256/E hoisting bar is used to manually lift Mk 82 bombs.*

**ADU-399/E GUIDED MISSILE HOISTING BEAM**

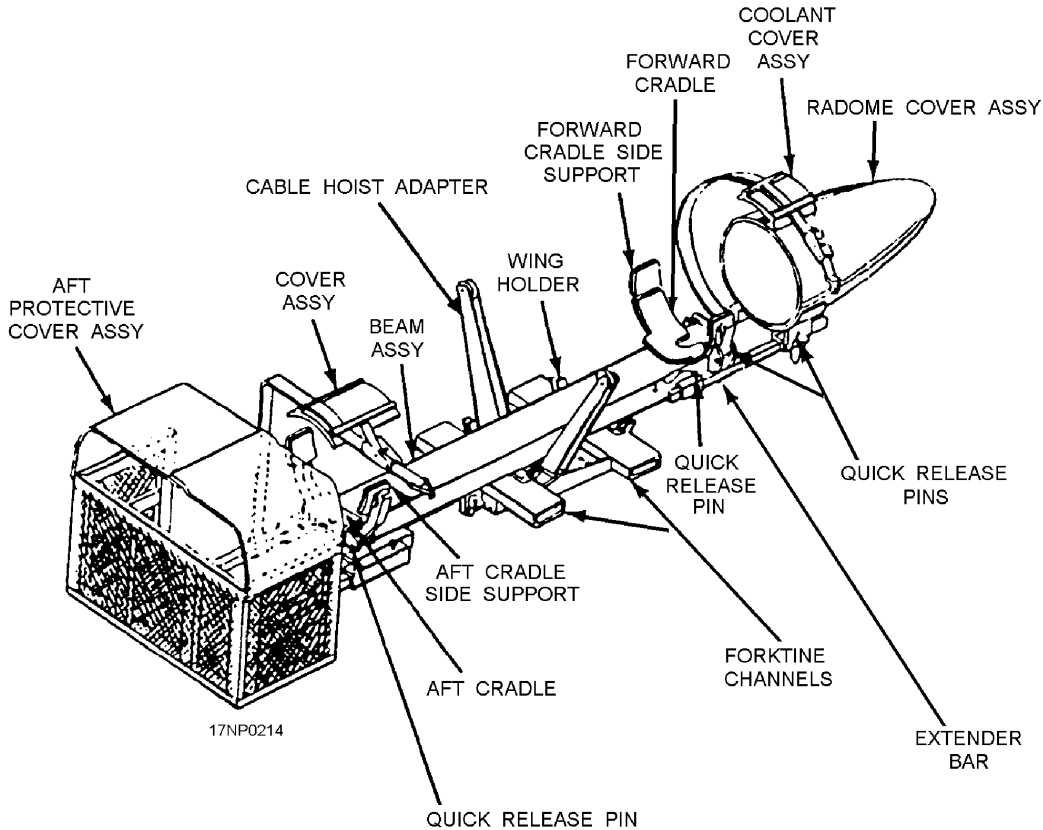
The ADU-399/E guided missile hoisting beam (fig. 9-16) is an aluminum weldment that consists of a beam supported on forklift channels and structural members. These components form the base assembly. Rubber-lined cradles mounted fore and aft on the beam prevent metal-to-metal contact. The cradles have side supports held in position by quick-release pins. When you are loading or unloading the beam, remove the quick-release pins to let the side supports swing down out of the way. There are two adjustable tubular extenders on the fore end of the beam that support a vinyl-covered housing. The housing protects the

weapon's radome. Quick-release pins secure the extenders to the beam and the radome protector to the extenders. There are cable hoists mounted on the base assembly and held in the hoisting position by quick-release pins. When the pins are removed, the hoists swing down and forward into the stowed position.

The ADU-399/E guided missile hoisting beam is used for ground support handling of the Phoenix missile during aircraft loading/unloading operations. This beam may be used in conjunction with the HLU-196B/E bomb hoist, the A/M32K-1A/1B/1C SATS loader, or the ADU-400/E weapon skid loading adapter.

**MHU-129/E GUIDED MISSILE HOISTING BEAM**

The MHU-129/E guided missile hoisting beam (fig. 9-17) is aluminum I-beam with a lifting eye mounted on the top of two removable lifting-shoe assemblies. The shoe assemblies are secured to the lower flange of the beam with quick-release pins designed to engage the forward and aft launch lugs of the Phoenix guided missile. The safety latches in the shoe assemblies secure the beam to the missile.



**Figure 9-16.—ADU-399/E guided missile hoisting beam.**

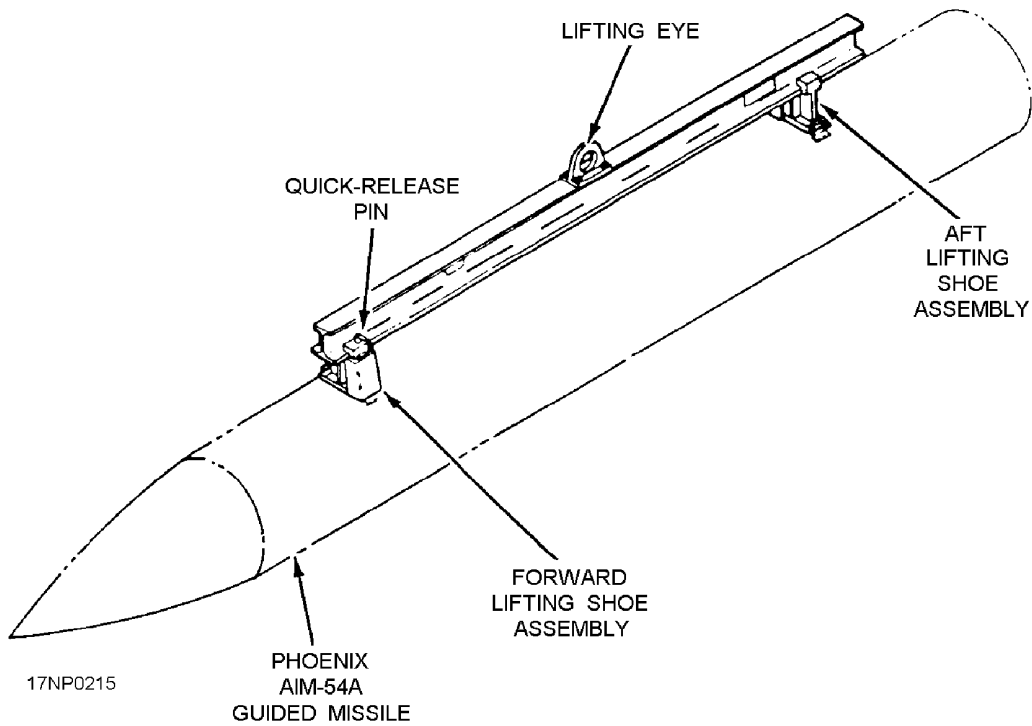


Figure 9-17.—MHU-129/E guided missile hoisting beam.

The MHU-129/E guided missile hoisting beam is used aboard ship (aircraft carriers) to handle a previously assembled Phoenix guided missile.

#### MK 37 MOD 0 LIFT BEAM

The Mk 37 Mod 0 lift beam (fig. 9-18) is an aluminum alloy beam with an adjustable lifting eye

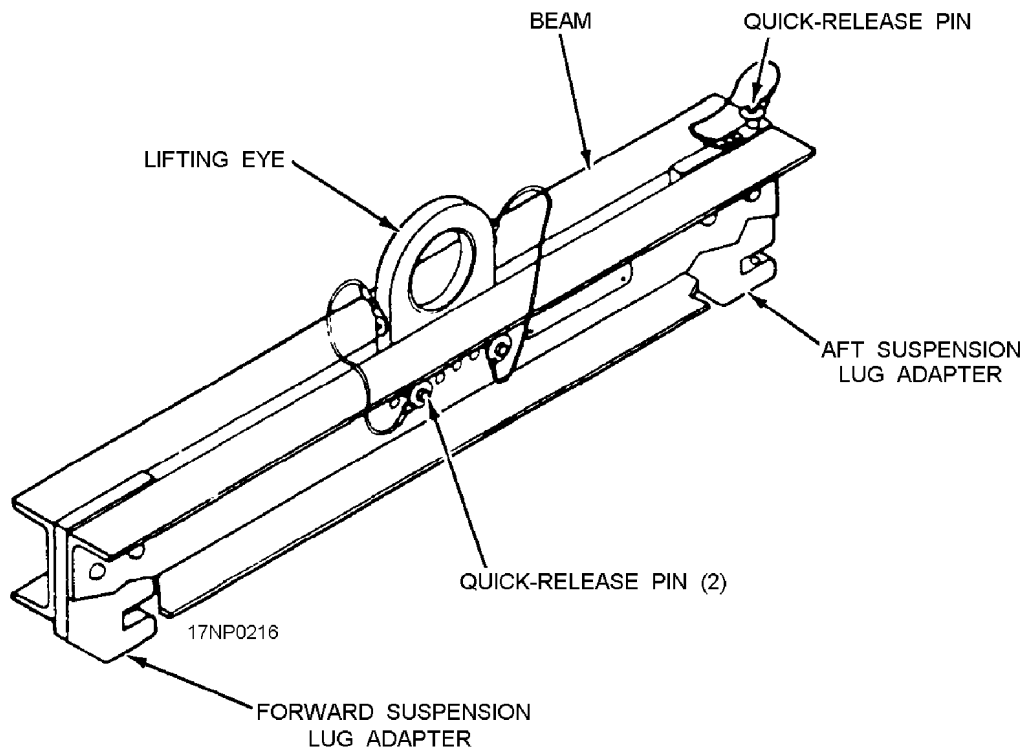


Figure 9-18.—Mk 37 Mod 0 lift beam.

secured to it by two quick-release pins. The suspension lug adapters at each end of the lift beam are used to engage the forward and aft suspension lugs on the Harpoon air-launched missile. A quick-release pin in the aft suspension lug adapter is used for securing the beam to the missile.

The Mk 37 Mod 0 lift beam is used with an overhead crane or hoist to lift the Harpoon air-launched missile from the container to the missile assembly stand, or from the missile assembly stand into the container.

**REVIEW NUMBER 4**

- Q1. *What is the shape of a beam?*
- Q2. *What beam is used during ground support handling of the Phoenix missile during aircraft loading/downloading operations?*
- Q3. *When you move a Harpoon missile from its container to the missile assembly stand, you would use \_\_\_\_\_.*

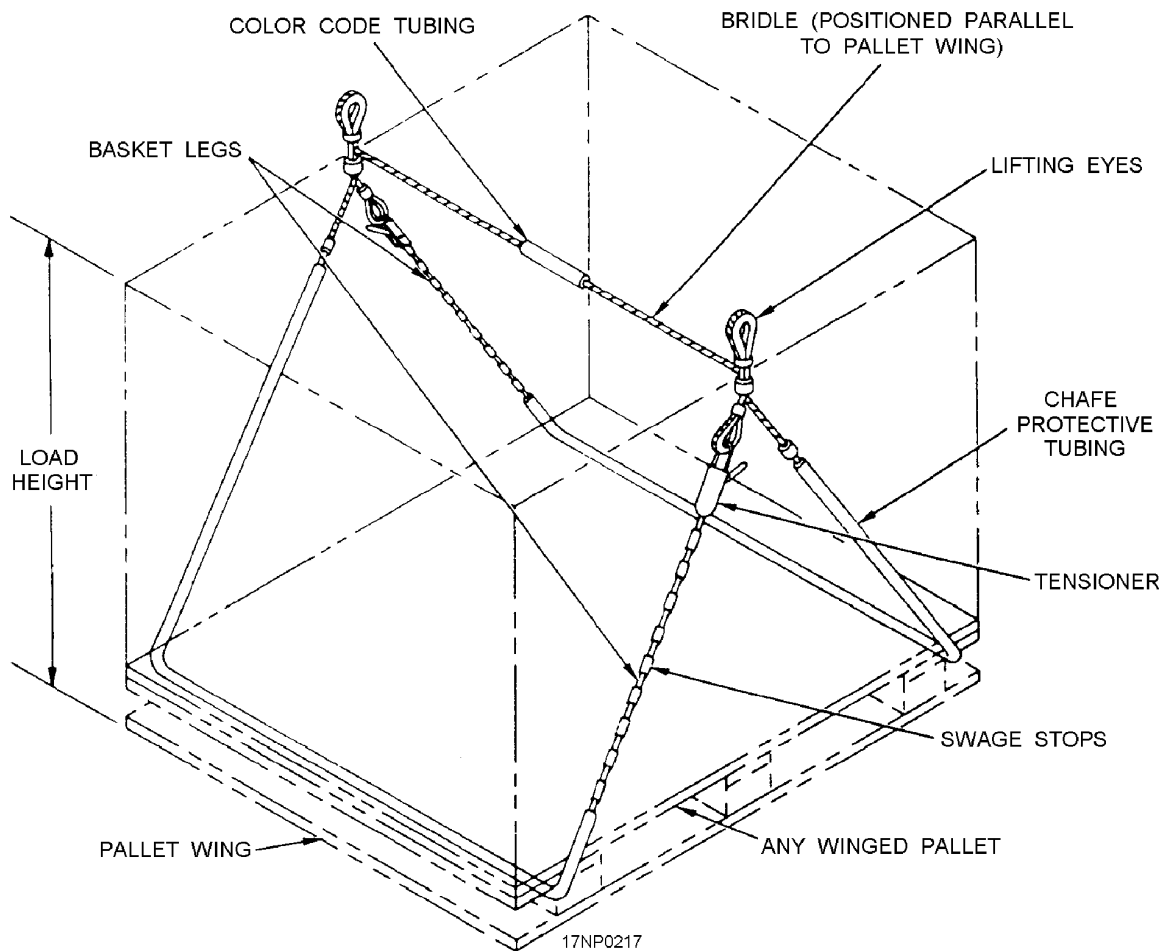
**SLINGS**

**LEARNING OBJECTIVE:** *Recognize the purpose and use of ammunition handling slings.*

Slings are lifting devices used to handle weapons. They are made up of various materials, reinforced nylon and heavy cotton mesh, steel cables, welded rings, and safety devices.

**MK 85 MOD 0, MK 86 MOD 0, MK 87 MOD 0, AND MK 100 MOD 1 PALLET SLINGS**

The Mk 85, Mk 86, Mk 87, and Mk 100 pallet slings (fig. 9-19) are wire rope basket slings that are adjustable for load height. These slings accommodate a full range of load heights (13 to 70 inches) on 40-inch by 48-inch pallets. A section of colored tubing on the cross bridle indicates the sling type. Table 9-1 lists physical data for the separate types of slings.



**Figure 9-19.—Mk 85, Mk 86, Mk 87, and Mk 100 pallet slings.**

Table 9-1.—Physical Data for Pallet Slings

Mk/Mod	Color of Coded Tubing	Load Height (in.)	Capacity (lb)	Weight (lb)
85/0	Red	13	2,200	13
		16	2,800	13
		20	3,400	13
		24	3,950	13
		26 to 31	4,000	13
86/0	Black	29 to 40	4,000	13
87/0	Green	36 to 50	4,000	14
100/1	Yellow	48 to 70	4,000	15

**MK 105 MOD 0 HOISTING SLING**

The Mk 105 Mod 0 hoisting sling (fig. 9-20) is a braided nylon rope that consists of a pendent and a leg assembly. Each end of the pendent has a spliced eye, one for the helicopter hook and one for the legs. Legs

are rated at 3,000 pounds; with two or more legs, the assembly is rated at 6,000-pound capacity. Longer legs (122 inches) also are available for long or stacked containers. The shorter legs are orange in color; the longer legs are green.

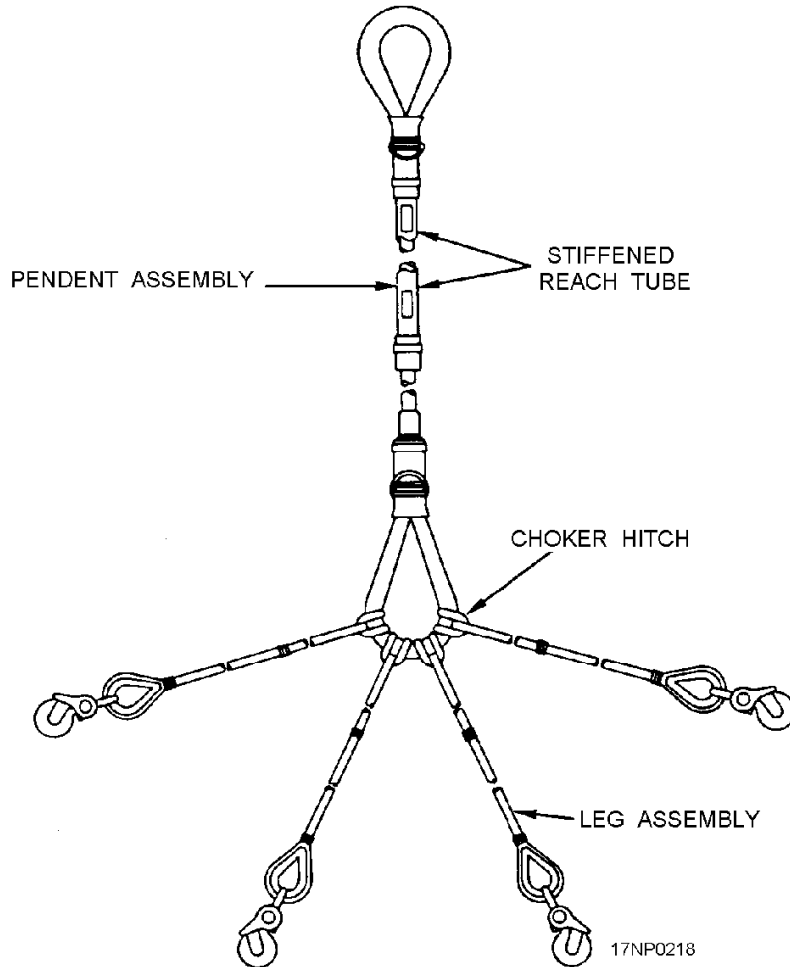


Figure 9-20.—Mk 105 Mod 0 hoisting sling.

## MK 109 MOD 1 CONTAINER LIFTING SLING

The Mk 109 Mod 1 container-lifting sling (fig. 9-21) consists of an adjustable wire rope and chain assembly fitted with a lifting eye and spreader bars. The spreader bars are modified turnbuckles that permit adjustment of sling-leg width within the range of 25 inches to 41 inches. Height adjustment of the bars is provided by the swage stops. The Mk 109 is designed to fit most of the containers and cradles currently in the system.

### REVIEW NUMBER 4 ANSWERS

- A1. *A beam is a rigid metal item that has an I, H, T, or circular cross section.*
- A2. *The ADU-399/E guided missile hoisting beam is used during ground support handling of the Phoenix missile.*
- A3. *When you move a Harpoon missile from its container to the missile assembly stand, you would use the Mk 37 Mod 0 lift beam.*

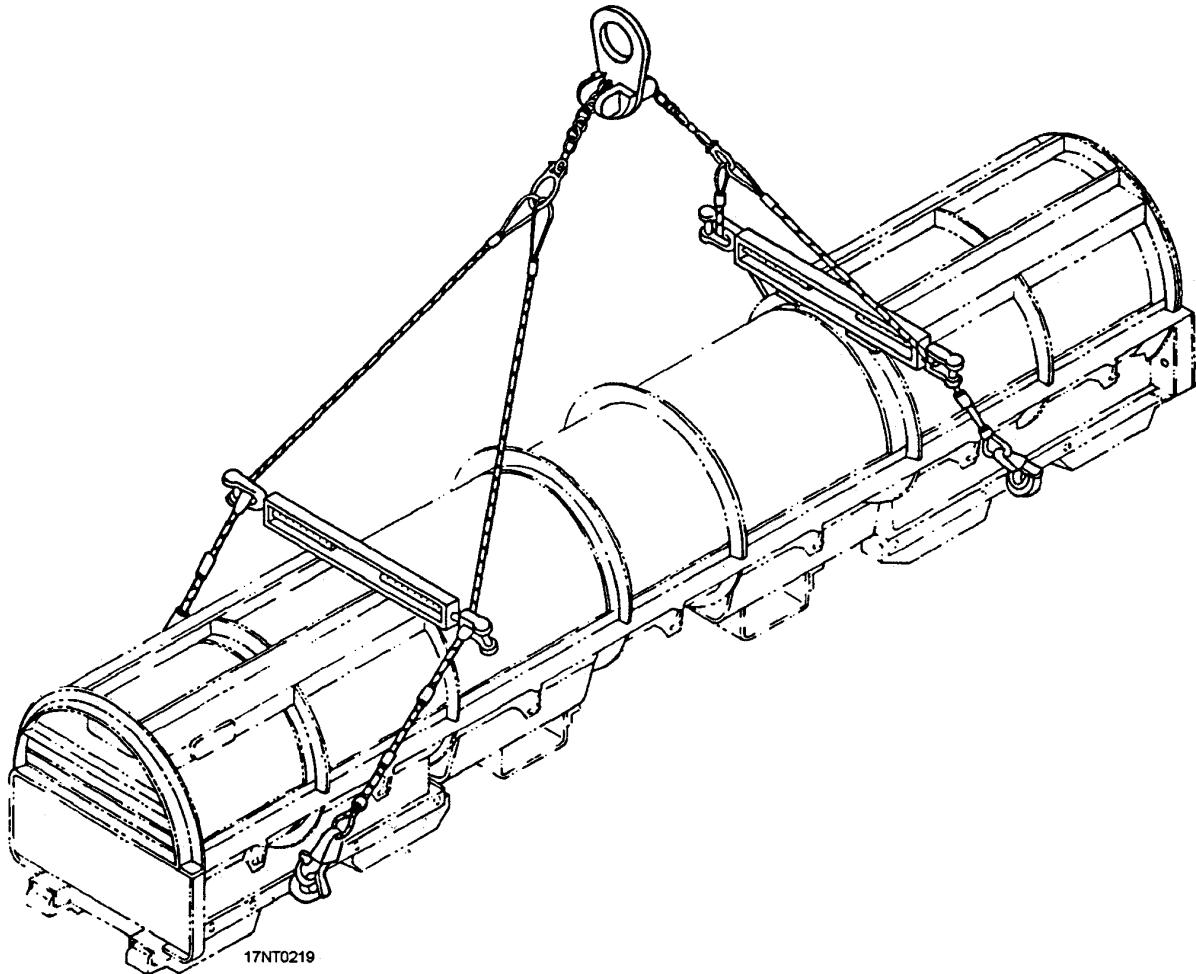


Figure 9-21.—Mk 109 Mod 1 container lifting sling.

## BOMB HOISTS

**LEARNING OBJECTIVE:** *Recognize the purpose and use of bomb hoist and identify the loads for each.*

A hoist is a mechanism that provides a mechanical advantage when raising or lowering heavy loads, such as bombs, mines, and torpedoes.

### HLU-288/E BOMB HOIST

The HLU-288/E bomb hoist (fig. 9-22) consists of a gear train, drum and cable, brake mechanism, fishing pole type of extension tube, a ratchet crank, and a brake crank. The cable drum rotates in the direction opposite to that of the cranks. The ratchet crank is used to help hoist the load, and it can be disengaged from the gear train by latching the ratchet pawl. The brake crank is used to hoist and lower the load. After a load is lifted, a clutch-type brake locks the gear train.

The HLU-288/E bomb hoist is used with single hoist ordnance loading system (SHOLS) adapters to



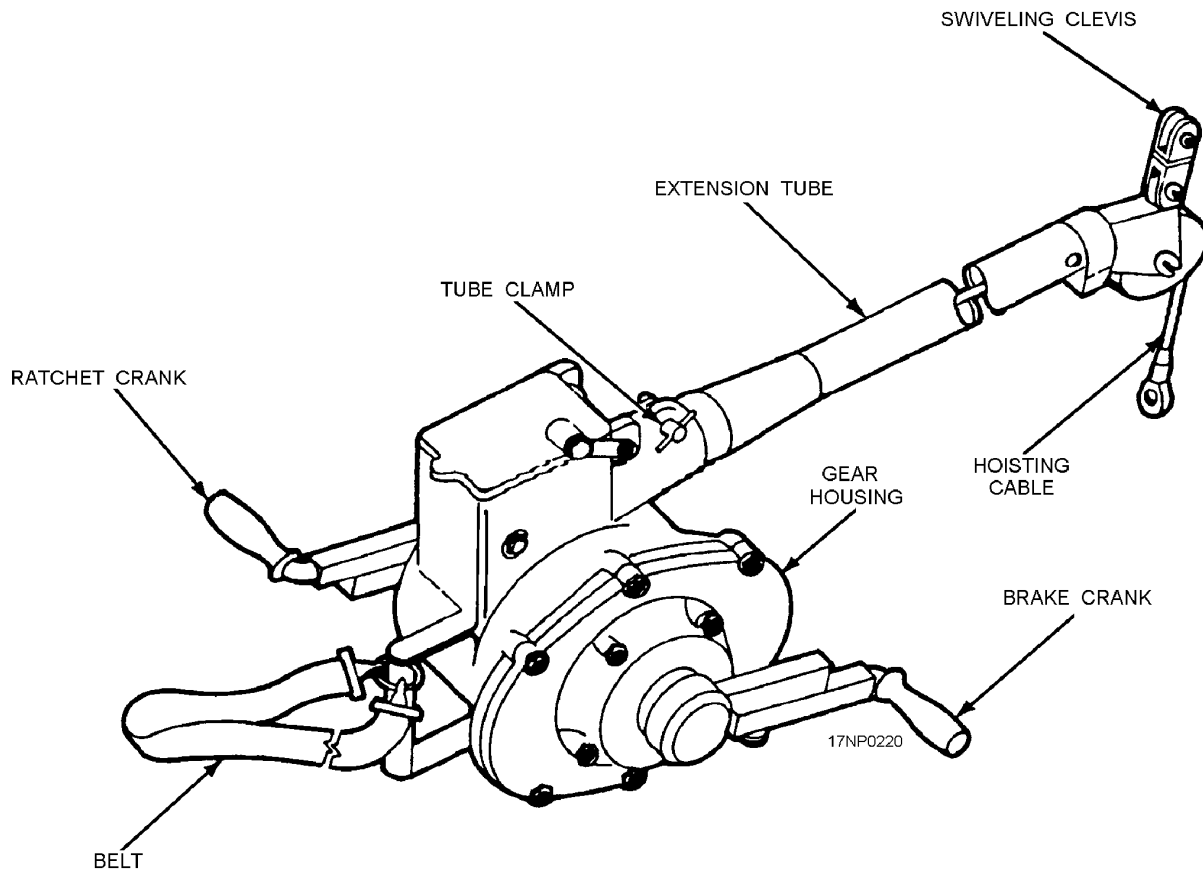


Figure 9-22.—HLU-288/E bomb hoist.

load various weapons onto a variety of aircraft. The hoist can use a short or long cable for loading onto wings, fuselage, and bomb bay stations. The HLU-288/E replaces the Aero 14C bomb hoist, which is obsolete.

### HLU-196B/E BOMB HOISTING UNIT

The HLU-196B/E bomb-hoisting unit (fig. 9-23) is a lightweight, portable, gasoline, engine-driven unit. It consists of a gasoline engine, speed-reducing gearbox and brake, and a cable assembly and storage drum that incorporates a clutch and a boom. All components and controls are mounted on a two-wheeled frame assembly. The entire unit weighs 75 pounds. It has a direct, single-cable lift capacity of 2,000 pounds. A double-cable lift capacity of 4,000 pounds is obtainable by using various trolleys and rack adapters that are available. You can extend the cable by disengaging the clutch and manually pulling it until the necessary length is withdrawn. To reel the cable in, you must start the engine, engage the clutch, and carefully throttle the engine to control the reel-in speed of the cable.

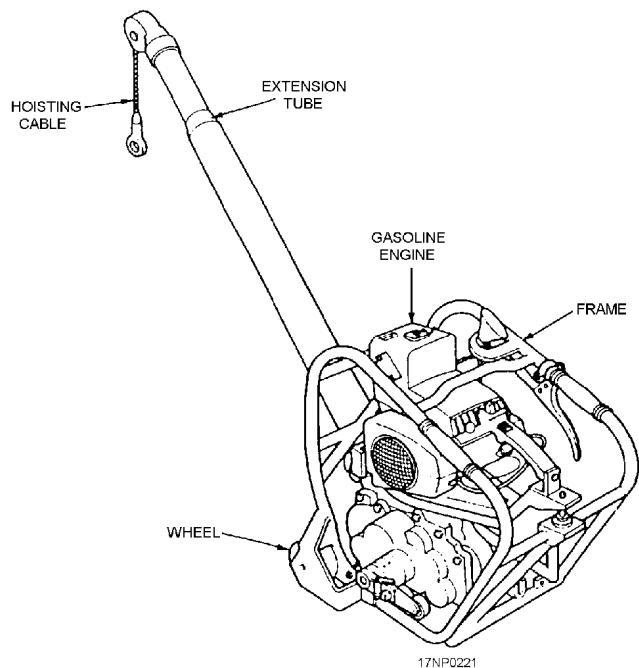


Figure 9-23.—HLU-196B/E bomb hoisting unit.

Maximum reel-in speed of the cable is 15 feet per minute.

The HLU-196B/E unit is used to single or, by the use of various trolleys and adapters, double hoist various weapons and stores.

### REVIEW NUMBER 5

- Q1. List the components of the HLU-288/E bomb hoist.
- Q2. What component of the HLU-288/E bomb hoist is used to hoist or lower the load?
- Q3. List the components of the HLU-196B/E bomb-hoisting unit.
- Q4. List the types of available hoisting bands.

### SKIDS, WEAPONS TRANSPORTERS, AND ASSOCIATED ADAPTERS

**LEARNING OBJECTIVE:** *Identify the purpose and use of skids, weapons transporters, and associated adapters. Recognize the safe loads for each.*

A skid or weapon transporter is a mobile piece of equipment with a welded frame-type construction mounted on two or four rubber-tired wheels. It is used with various adapters to support a load for movement from one area to another.

Wheeled skids or weapons transporters are generally equipped with a brake mechanism so the skid won't move when unattended. Handles are attached to all mobile skids and weapons transporters to provide a means of moving and controlling the units. The units are not self-propelled and require either manpower or power equipment to move them. They are used for handling various weapons and miscellaneous ammunition items during the aircraft rearming process aboard aircraft carriers and at shore stations.

You can't use skids and weapons transporters without adapters. Adapters are an interface between the skid or weapon transporter and the weapon or store to be supported. They provide a support surface and a means of securing the weapon or store to the skid or transporter. This prevents any inadvertent movement. There are many different types of adapters available for any one particular skid or weapon transporter, or an adapter may be compatible with several different skids or weapons transporters. Adapters are attached to the skids or weapons transporters by quick-release pins or other types of quick-change devices.

### AERO 12C BOMB SKID

The Aero 12C bomb skid (fig. 9-24) is a wheelbarrow skid. It consists of a cradle frame mounted on two rubber-tired wheels and equipped with two supporting legs. The skid has two tubular steel

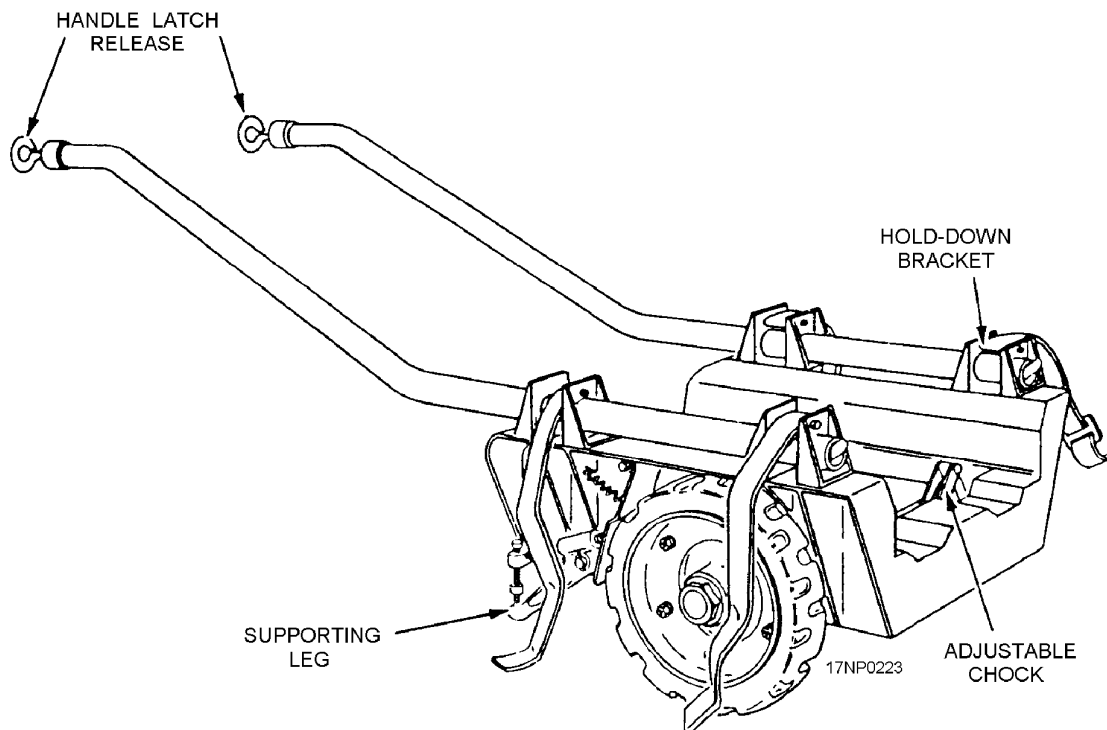


Figure 9-24.—Aero 12C bomb skid.

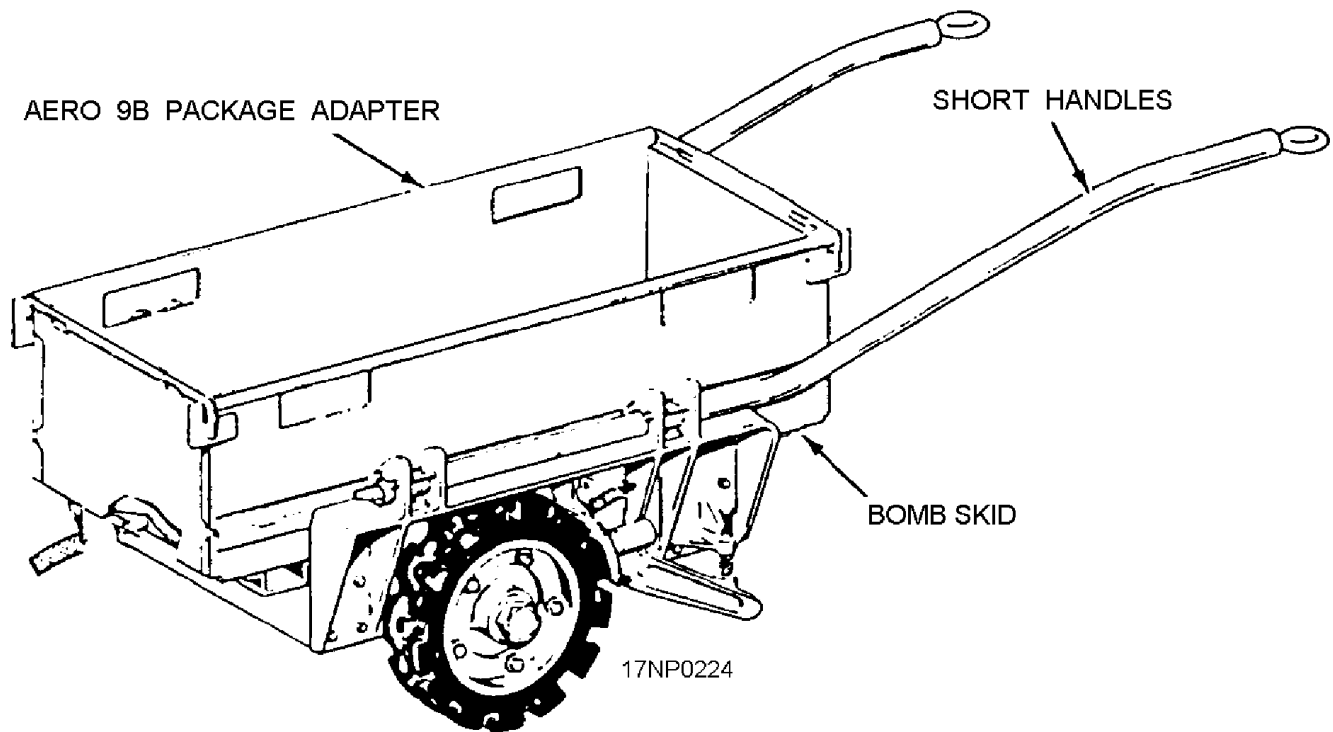


Figure 9-25.—Aero 9B/C bomb skid adapter mounted on an Aero 12C bomb skid.

handles that you can quickly latch or unlatch. You can reposition or remove the handle by using the handle release on the aft end of each handle.

The wheels are braked by two brake shoes applied to the wheels by the support legs. Apply the brakes by lowering the skid so the supporting legs come in contact with the deck or runway. The brakes are released when the skid is raised high enough for the supporting legs to clear the deck or runway.

The skid is equipped with adjustable chocks on the bed of the frame. These chocks let you properly position the load on the skid. Each side of the skid is equipped with two hold-down brackets. One set of brackets accommodates the long or short handles. The other set of brackets is used for attaching tie-down straps.

The Aero 12C bomb skid is used to transport weapons that have a diameter between 4 and 18 inches. With the exception of Mk 81 bombs, weapons are transported singly or in pairs. The skid has an SWL of 1,250 pounds.

### Aero 9B/C Bomb Skid Adapter

The Aero 9B/C bomb skid adapter (fig. 9-25) consists of an aluminum box like frame with

collapsible walls. It is constructed with stiffeners at the sides and bottom. The adapter is secured to the skid by two spring-loaded latches. Hand holes are provided in the sides of the adapter for manual handling.

The Aero 9B/C bomb skid adapter is used with the Aero 12C bomb skid to handle and transport miscellaneous ammunition items. The adapter has an SWL of 1,000 pounds.

### Aero 39B Bomb Skid Adapter

The Aero 39B bomb skid adapter (fig. 9-26) consists of seven hexagonal aluminum tubes welded

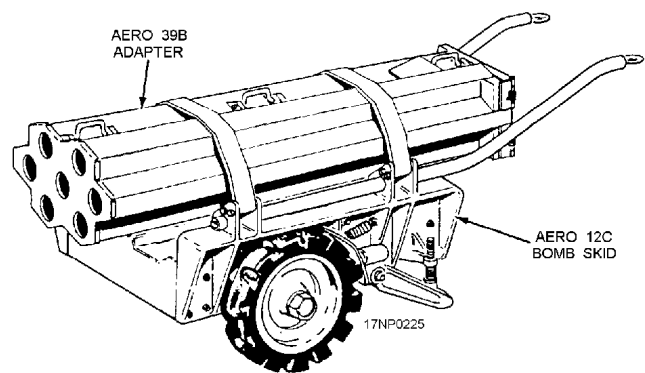


Figure 9-26.—Aero 39B bomb skid adapter mounted on an Aero 12C bomb skid.

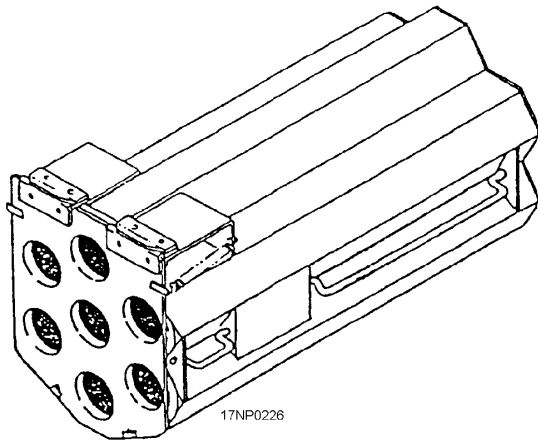


Figure 9-27.—ADU-729/E nitrogen receiver adapter.

together. It is flat on one side and contoured around the hexagonal tubes on the other three sides. The assembly has three handles mounted on it for lifting and a hinged door at one end for loading.

The Aero 39B bomb skid adapter is used with the Aero 12C bomb skid to transport and store nitrogen-filled bottles used as a coolant on the LAU-7A guided missile launcher. The adapter has an SWL of seven nitrogen bottles.

#### ADU-729/E Nitrogen Receiver Adapter

The ADU-729/E nitrogen receiver adapter (fig. 9-27) is an aluminum container with seven hexagonal tubes. A welded plate is fitted with contoured urethane pads to fit the nitrogen bottles of the LAU-127 launcher.

The hinged plate is spring loaded and dual clasped for security. Two handles located on the side aid in lifting and carrying.

#### Aero 64B Soft-Belt Adapter

The Aero 64B soft-belt adapter (fig. 9-28) consists of a flexible, neoprene-covered, woven-wire sling. The adapter has slots at the ends for attaching tie-down straps. The adapter is also equipped with brackets for attaching it to the skid.

Two Aero 64B soft-belt adapters support or store a soft-skin weapon up to 20 inches in diameter on the Aero 12C bomb skid. SWL not to exceed 1250 pounds. Each Aero 64B adapter has an SWL of 2,500 pounds.

#### REVIEW NUMBER 5 ANSWERS

- A1. *The components of the HLU-288/E bomb hoist include a gear train, drum and cable, brake mechanism, fish pole extension tube, and two cranks.*
- A2. *The break crank of the HLU-288/E bomb hoist is used to hoist or lower the load.*
- A3. *The components of the HLU-196/E bomb-hoisting unit include gasoline engine, speed-reducing gearbox and brake, a cable assembly, and storage drum.*
- A4. *The single cable-lift capacity of the HLU-196/E bomb hoist is 2,000 pounds.*

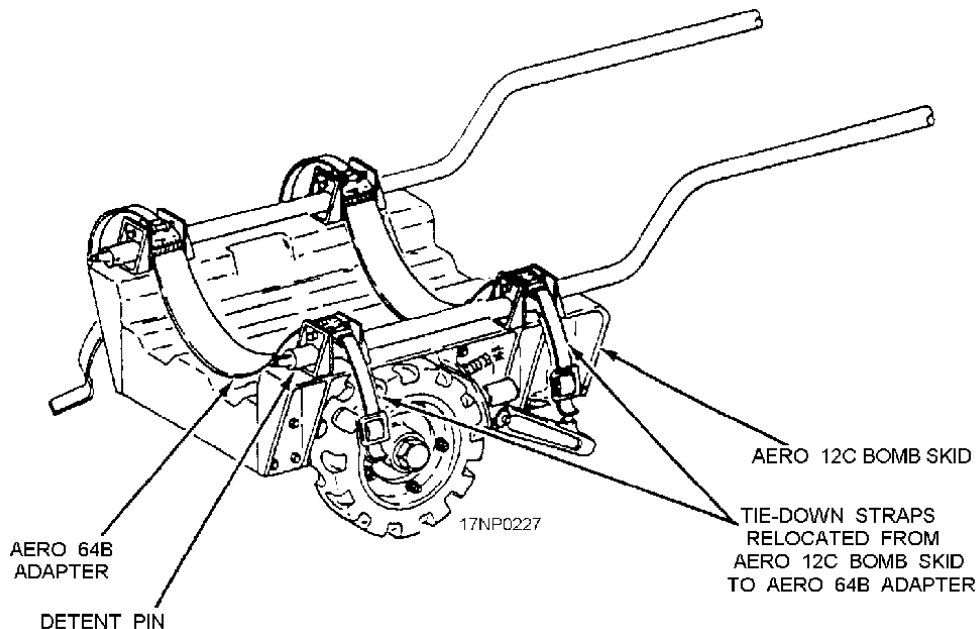


Figure 9-28.—Aero 64B soft-belt adapter mounted on an Aero 12C bomb skid.

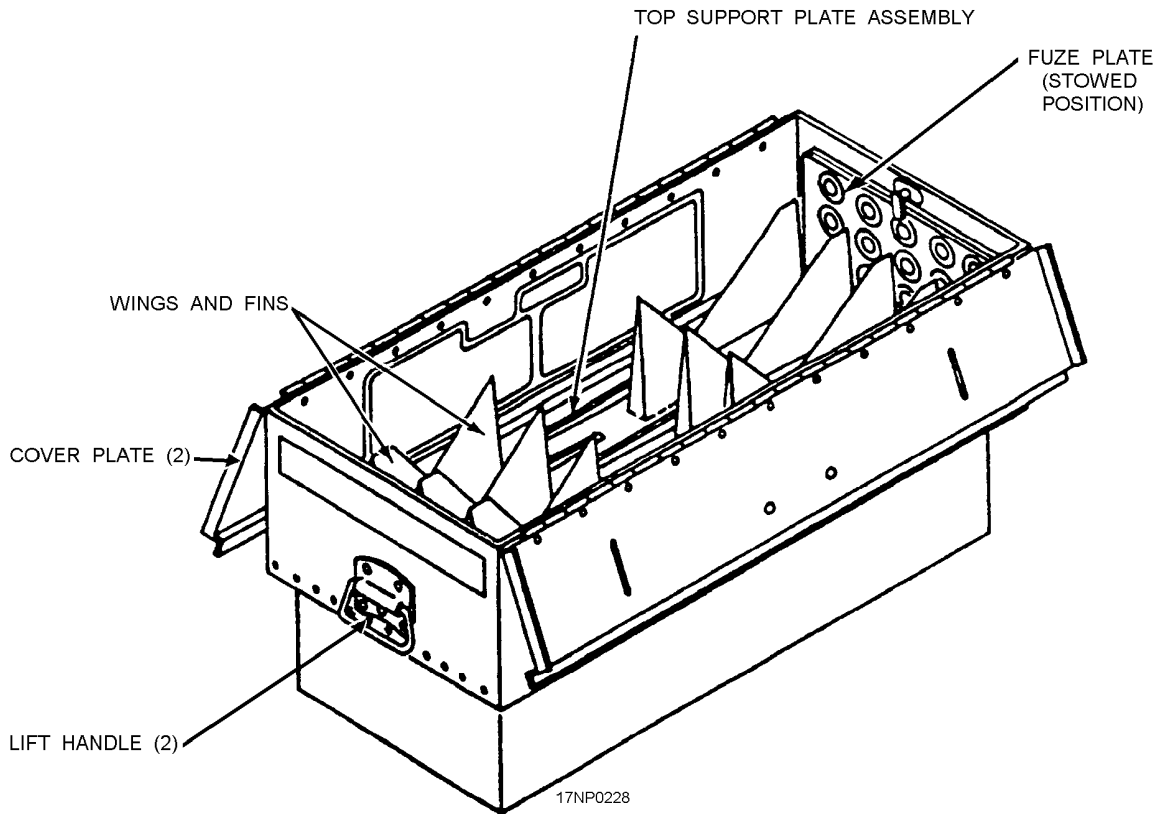


Figure 9-29.—ADU-488/E wing, fin, and fuze adapter.

#### ADU-488/E Wing, Fin, and Fuze Adapter

The ADU-488/E wing, fin, and fuze adapter (fig. 9-29) is an aluminum container that contains different features to transport a variety of ordnance components. Preformed urethane channels that provide protection for wings and fins are installed in the base. Above the base are two hinged plates, which are lowered onto the wings and fins to hold them in place. There are two cushioned plates that are lowered from their stowed position and that provide holes for fuzes.

The ADU-488/E wing, fin, and fuze adapter is used by ordnance personnel to transfer different ordnance and ordnance components from weapons breakout areas to the flight deck/flight line.

#### MHU-191/M MUNITIONS TRANSPORTER

The MHU-191/M munitions transporter (fig. 9-30) is a welded tubular frame equipped with a box section of drilled steel bars, which provide the mounting holes for attaching various adapters. It has two axles and four

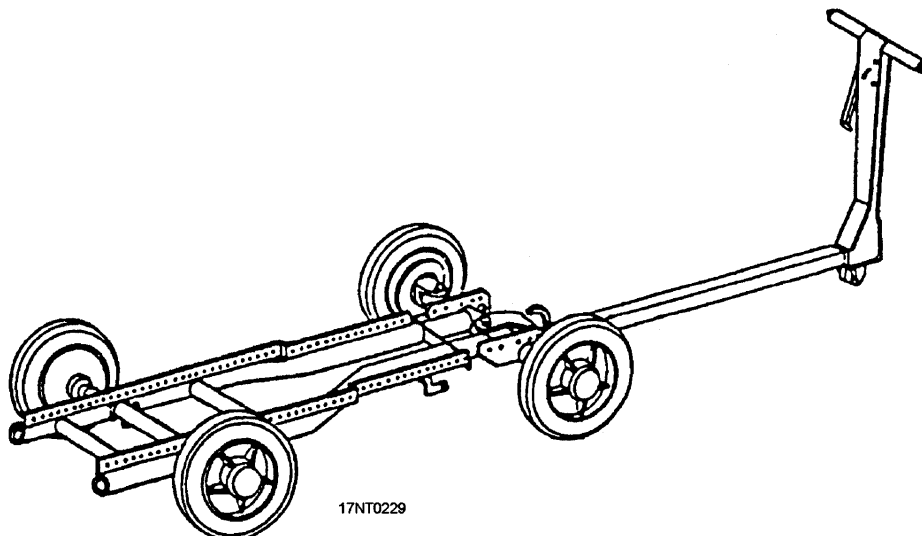


Figure 9-30.—MHU-191/M munitions transporter.

rubber wheels. The two front wheels are equipped with drum brakes. The brake lever located on the draw bar actuates the brakes. The brakes are applied automatically when the spring-loaded brake lever is in the down position. To release the brakes, pull the brake lever upward toward the T on the draw bar. The brakes shoes are actuated through the mechanical linkage located inside the draw bar. The brake lever is continually held in the upward position so the skid can move. Be careful when you release the brake lever; it is spring-loaded and can cause the lever to snap downward. This may result in damage to the mechanical linkage system. The draw bar is attached to the skid by a quick-release pin. This pin also connects the brake linkage between the skid and the brake lever on the draw bar.

Two drawbars are available for use with the MHU-191/M munitions transporter. Use the short draw bar to transport short weapons or when working in an area where long handle cannot be used. Use the long draw bar to transport long weapons, such as missiles, flare dispensers, or rocket launchers. The skid has an SWL of 5,000 pounds. It is used with various adapters to transport or load weapons, stores, and equipment.

### Aero 58A Skid Adapter

The Aero 58A skid adapter (fig. 9-31) has a front and rear section. These sections are similar in design. The primary difference is the base—the front section has a 10-inch base and the rear section has a 15-inch

base. These front and rear sections fit on the rails of the skid. Each adapter section has two removable rubber rollers supporting the weapon. These rollers are adjustable from one to six positions to accommodate weapons of different diameters. Nylon straps hold the weapon in place.

One set of Aero 58A skid adapters has an SWL of 5,000 pounds. It holds a single weapon up to 30.5 inches in diameter. This adapter can also be used with the MHU-125/E platform skid and MHU-126/M munitions trailer.

### ADU-483/E SKID ADAPTER ASSEMBLY.—

The ADU-483/E skid adapter assembly (fig. 9-32) consists of one steel upper-frame section with two removable rubber rollers and a nylon tie-down strap with a buckle. A quick-release pin is used to attach and secure the two adapter assemblies together at the top. This forms a complete load-bearing assembly that supports two cylindrical weapons side by side. The position of the outboard roller is fixed. The inboard roller can be positioned in either of two positions to hold weapons of different diameters.

The ADU-483/E skid adapter assembly is used in pairs with the Aero 58A skid adapters. When mounted on the top of two Aero 58A skid adapters (front and rear) and secured with quick-release pins, the ADU-483/E skid adapter assembly supports two weapons from 9 to 16 inches in diameter. Two pairs (total four) of the ADU-483/E skid adapters have an SWL of 4,000 pounds. When the skid adapter

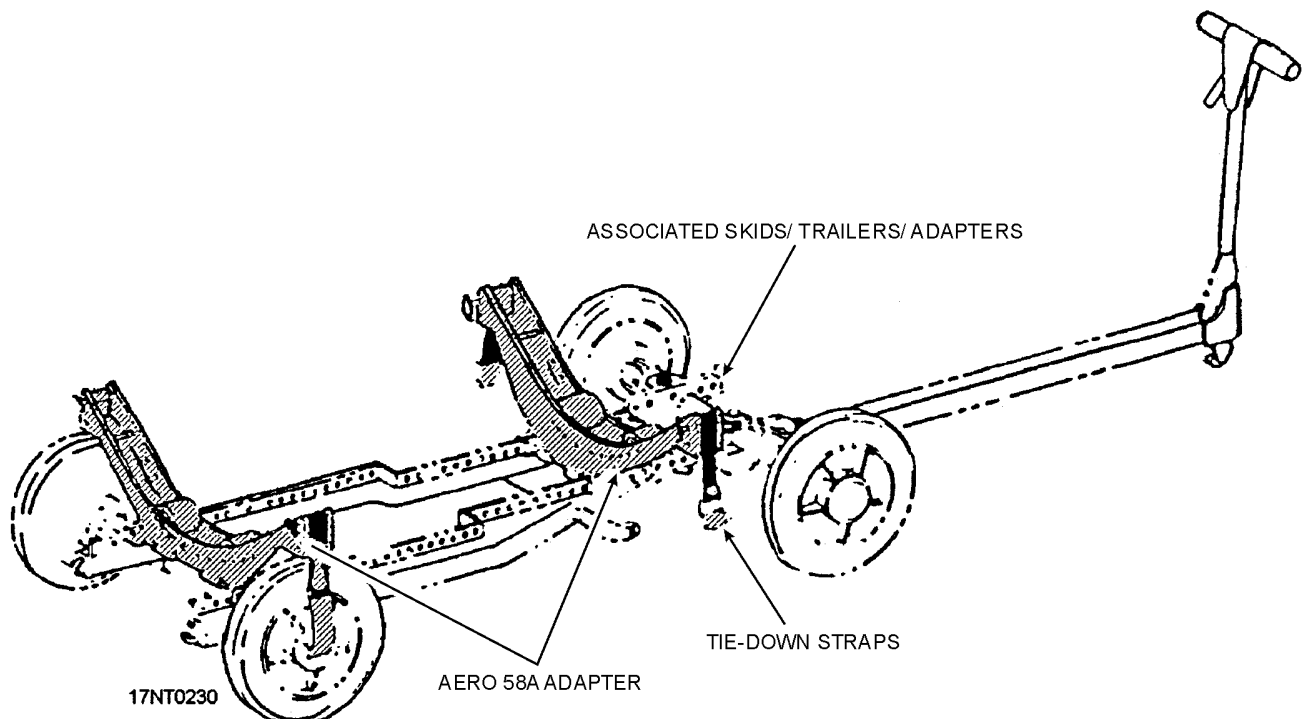


Figure 9-31.—Aero 58A skid adapter mounted on an MHU-191/M munitions transporter.

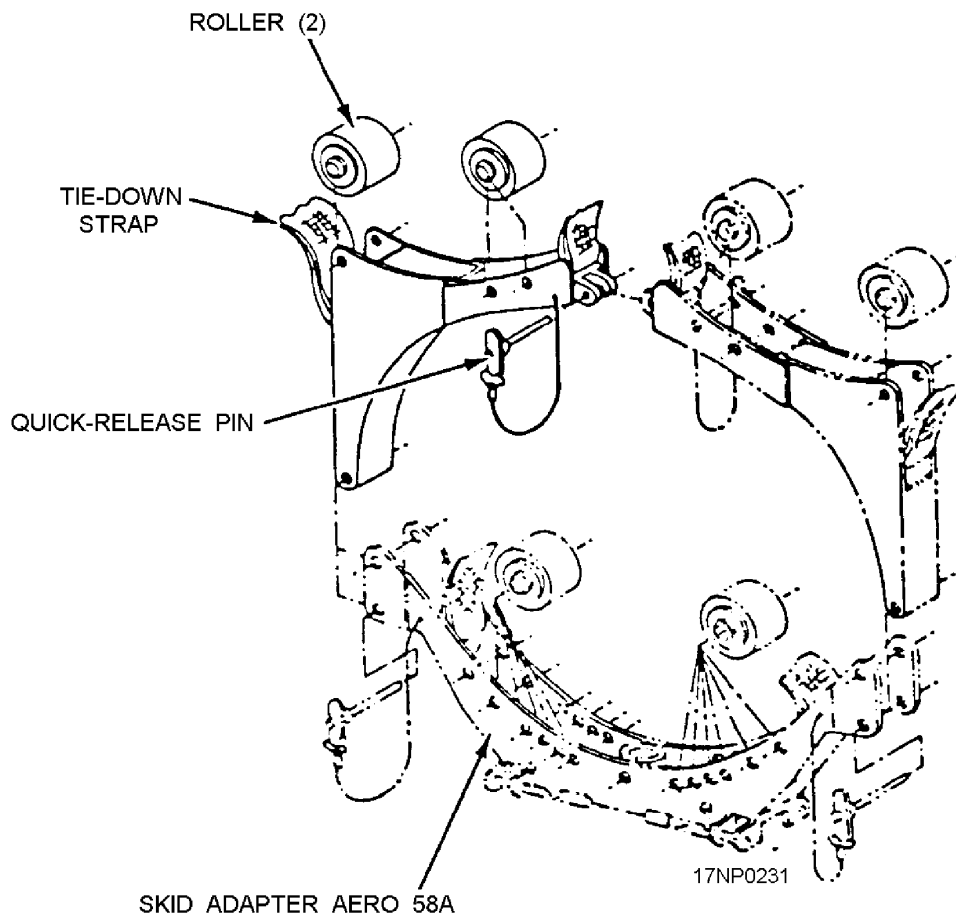


Figure 9-32.—ADU-483/E skid adapter assembly.

assemblies are installed, the Aero 58A skid adapter is limited to weapons with a maximum diameter of 16 inches.

**ADU-496A/E SINGLE STORE ADAPTER.—**The ADU-496A/E (fig. 9-33) consists of a steel body and urethane pad bonded together to form a single unit.

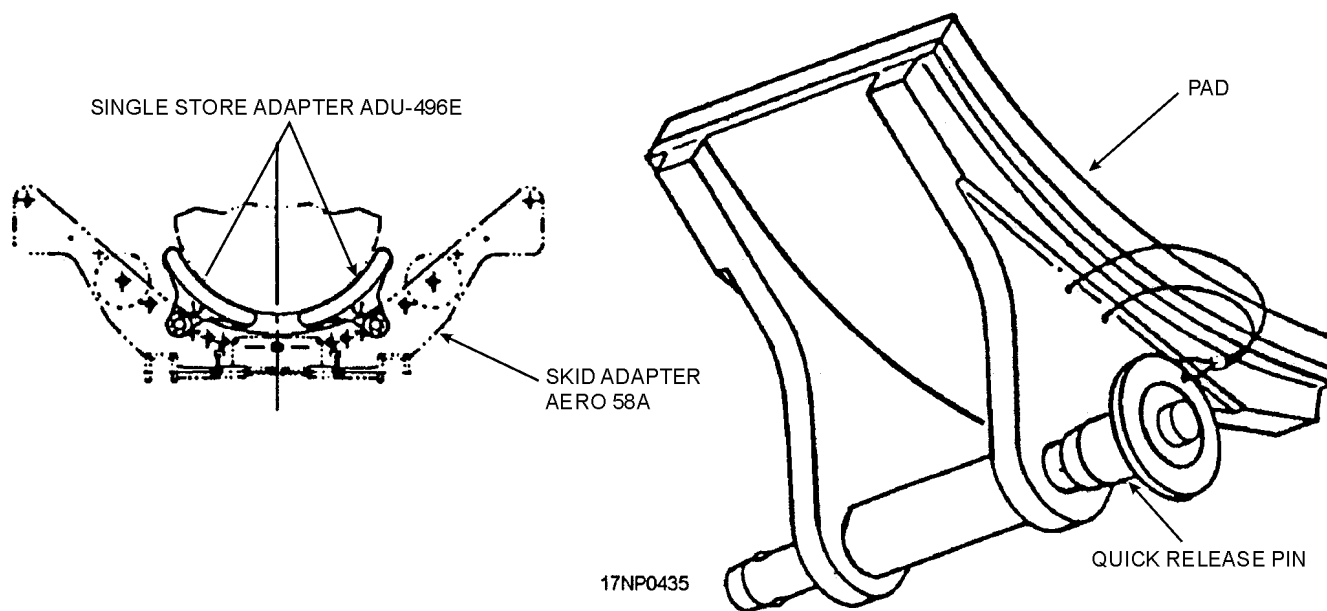


Figure 9-33.—ADU-496A/E single store adapter.

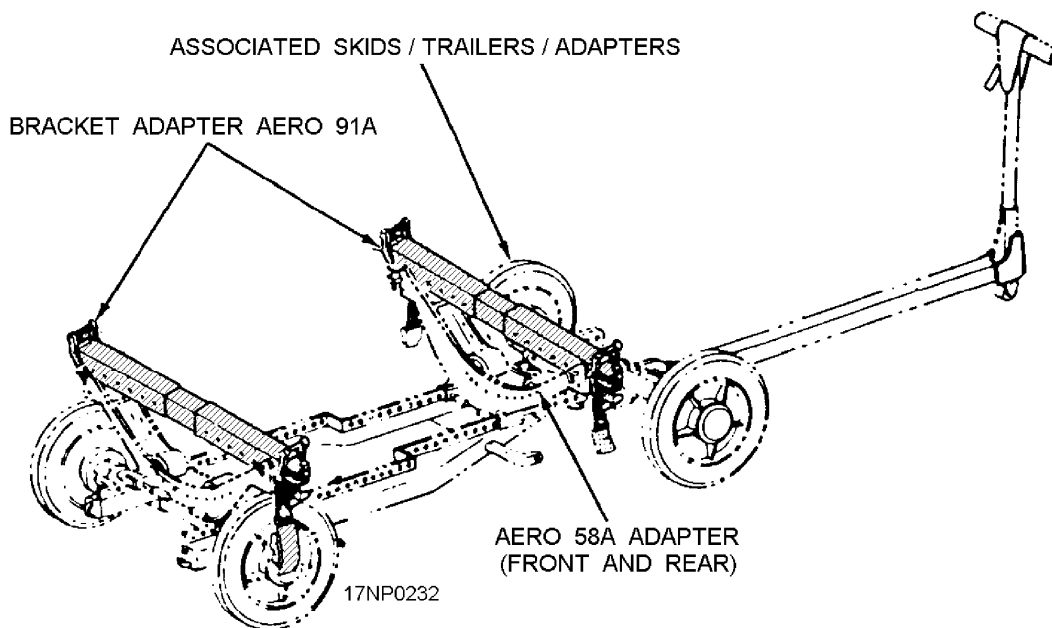


Figure 9-34.—Aero 91A bracket adapter mounted to Aero 58A skid adapters/MHU-191/M munitions transporter.

The adapter is used in sets of four to support a single weapon, and 10-inch diameter and larger weapons/stores during handling and transport on the MHU-191/M munitions transports. The adapter attaches to the AERO-58A, ADU-483/E, and ADU-397/E Skid and cradle adapters.

The ADU-496A/E is used to support the AGM-88 HARM missile and 10-inch diameter and larger stores.

**AERO 91A BRACKET ADAPTER.**—The Aero 91A bracket adapter (fig. 9-34) consists of an arm weldment, two sleeve weldments, connecting pins, hooks, T bolts, and clamp weldments. You can adjust

the bracket to hold loads varying between 28 and 40 inches in width.

The Aero 91A bracket adapter is attached to the Aero 58A skid adapters to convert the MHU-191/M munitions transporter into a flatbed vehicle capable of handling weapon pallets, cradles, and containers. Two bracket adapters are required for each skid. A set of two Aero 91A bracket adapters has an SWL of 4,000 pounds.

**AERO 71A SKID ADAPTER.**—The Aero 71A skid adapter (fig. 9-35) consists of a welded aluminum angle frame, sheet aluminum deck, and steel tube

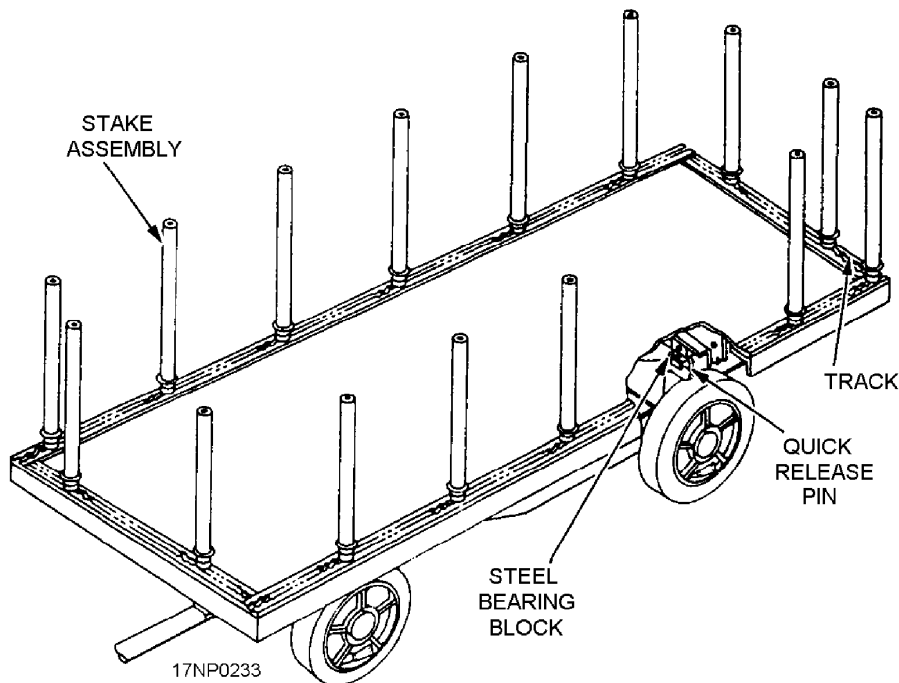


Figure 9-35.—Aero 71A skid adapter mounted to Aero 58A skid MHU-191/M munitions transporter.



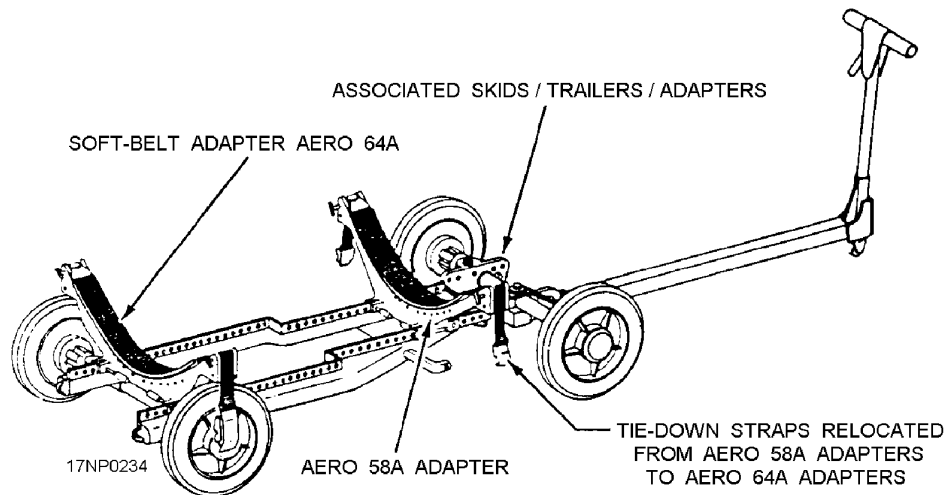


Figure 9-36.—Aero 64A soft-belt adapter mounted to Aero 58A skid adapters/MHU-191/M munitions transporter.

stakes. The adapter is secured to a weapon skid by quick-release pins. An extruded aluminum track around the edges of the flatbed allows the attachment of the steel tube stakes.

When using the Aero 71A, you must use two Aero 58A skid adapters in order to form a flatbed conveyance for transportation of the weapon component containers and a variety of other materials. The Aero 71A can be used with various skids, transporters, and trailers. The adapter has an SWL of 4,000 pounds.

**AERO 64A SOFT-BELT ADAPTER.**—The Aero 64A soft-belt adapter (fig. 9-36) consists of a

flexible neoprene-covered, woven-wire sling. The adapter has slots at the ends for attaching tie-down straps. The adapter is also equipped with brackets for attaching it to the skid.

Two soft-belt Aero 64A adapters support a soft-skin store up to 30 inches in diameter. Each adapter has an SWL of 2,500 pounds. The Aero 64A is designed for use with Aero 58A skid adapters, and is used with various skids, transporters, and trailers.

**AERO 83A TRANSPORT ADAPTER.**—The Aero 83A transport adapter (fig. 9-37) consists of a tubular aluminum frame with a system of movable

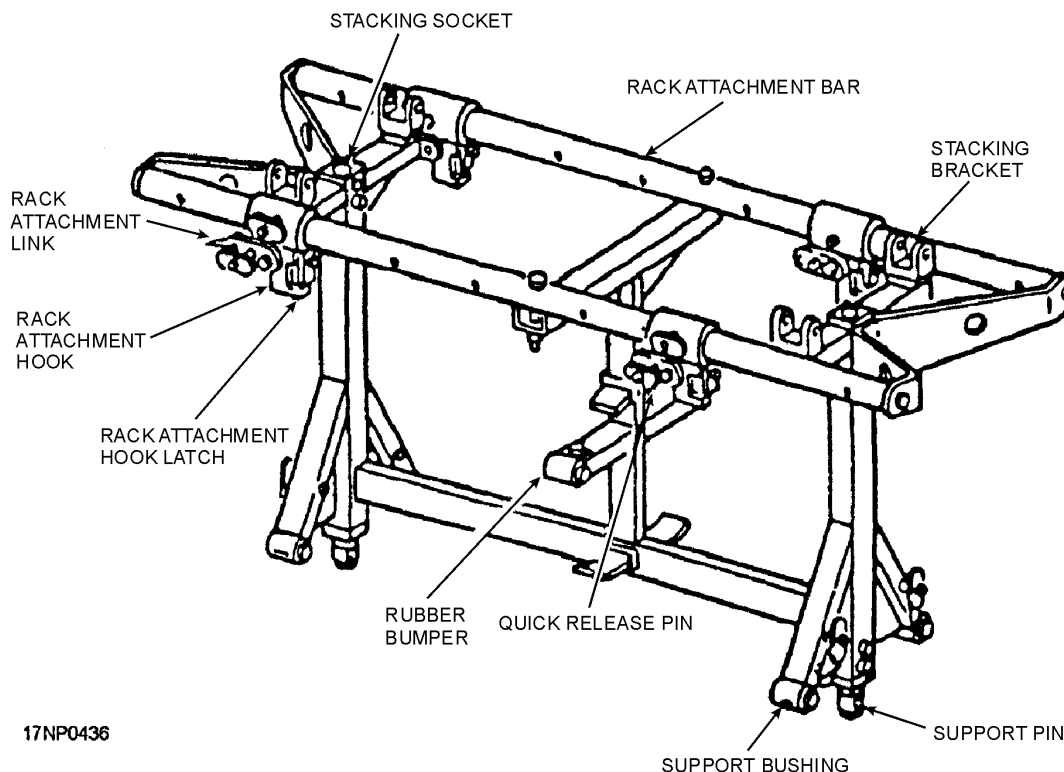


Figure 9-37.—Aero 83A transport adapter.

suspension assemblies. The adapter is equipped with four rack-attachment hooks adjusted to accept 14- or 30-inch suspension lugs. The adapter is equipped with two tie-down straps to secure the load against the rubber bumpers.

The Aero 83A transport adapter is used with the Aero 58A skid adapter on the MHU-191/M munitions transporter for transporting empty improved multiple ejector racks (IMERs) and improved triple ejector racks (ITERs). One adapter can handle two IMERs or two ITERs. The adapters can be stacked two high so four racks can be transported. Stack the adapters by inserting the support pins of the upper adapter into the stacking sockets of the lower adapter. Then mount the adapter on the skid by inserting the Aero 83A transport adapter support pins into the front and rear sockets of the Aero 58A. The Aero 83A has an SWL of 5,000 pounds.

**MXU-661/E SKID PLATFORM ADAPTER ASSEMBLY.**—The MXU-661/E skid platform adapter assembly (fig. 9-38) consists of an aluminum platform weldment, two side brackets with straps and buckles, and four stud assemblies. Two skid platform adapter assemblies are fastened to the side frames of the Aero 71A skid adapter. One MXU-661/E skid platform adapter assembly is located at each end of the Aero 71A skid adapter and attached by means of a platform stud assembly.

The MXU-661/E adapter is used on the Aero 71A. It is mounted on the front and rear parts of the Aero 58A skid adapter. This forms a flatbed on the MHU-191/M munitions transporter capable of holding and transporting up to 32 sonobuoys in containers.

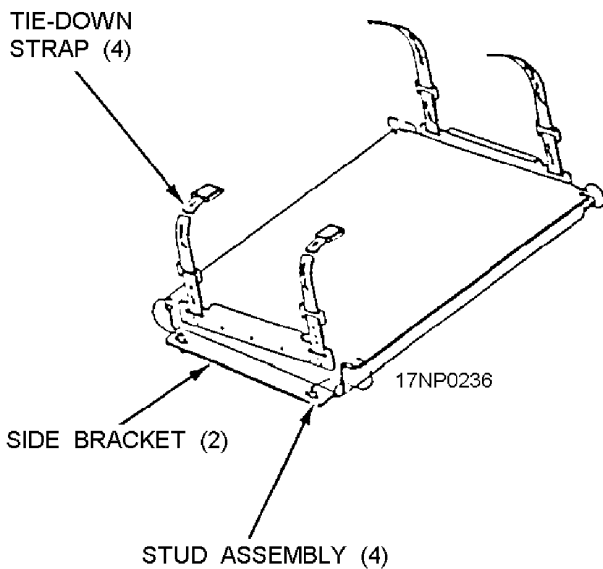


Figure 9-38.—MXU-661/E skid platform adapter assembly.

### ADU-514A/E Small Missile Adapter

The ADU-514A/E small missile adapter (fig. 9-39) is an aluminum weldment that consists of upper and lower frames with support pads, two side blocks, and buckle and strap. The adapter is used in pairs and features a three-tier design. The missile support pads are gel filled to provide contoured cradling of missiles and weapons.

The ADU-514A/E small missile adapter is used on a variety of weapon skids, transporters, and trailers for transporting up to six each of the following missiles: AIM-7 series, AIM-120 series, AMRAAM, AIM-9 series, and AGM-114B.

### ADU-567/E Wing/Fin Guard Adapter

The ADU-567/E adapter (fig. 9-40) consists of a tube extension, pivot tube, two guards, main tube weldment, and retractable spring-locking plungers. The tube extension can be retracted and locked into the main tube weldment, and the two guards can be pivoted and locked in a flat position to create a compact shipping and stowage package.

The ADU-567/E adapter provides protection for Sidewinder AIM-9 wings and fins when attached to the ADU-514A/E small missile adapter during transporting and handling.

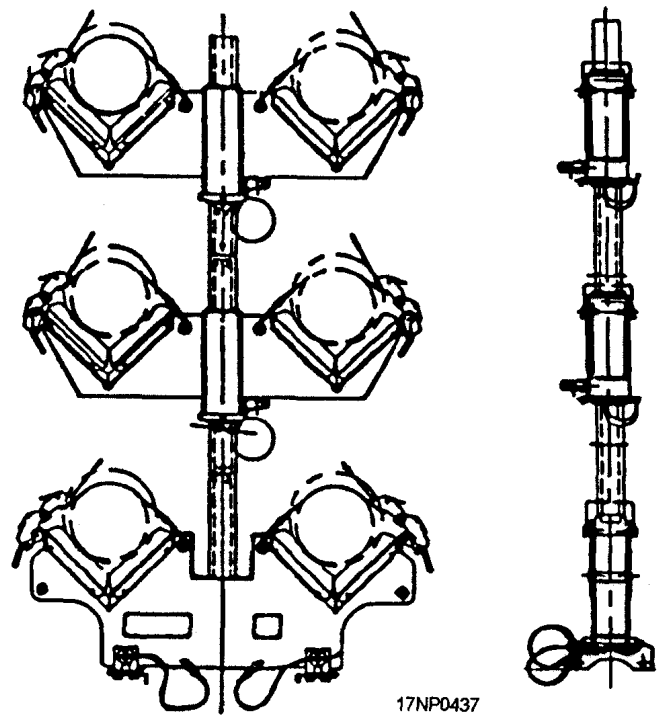


Figure 9-39.—ADU-514A/E small missile adapter.

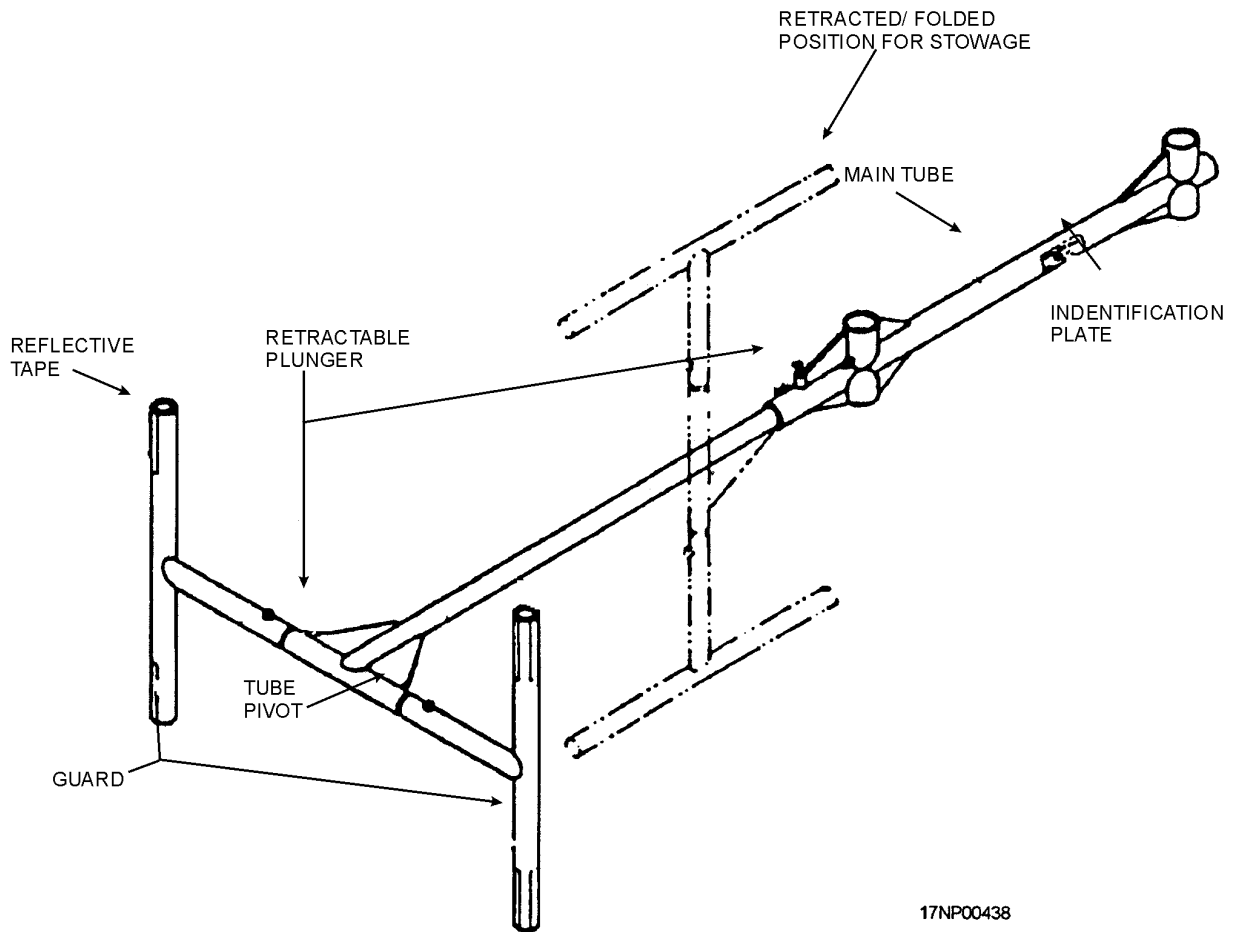


Figure 9-40.—ADU-567/E wing/fin guard adapter.

### ADU-511A/E Adjustable Weapons Adapter

The ADU-511A/E adapter (fig. 9-41) has adjustable chocks that can be configured for different

diameter weapons. Designed to carry two stores side by side, the adapter may also be configured to carry single stores.

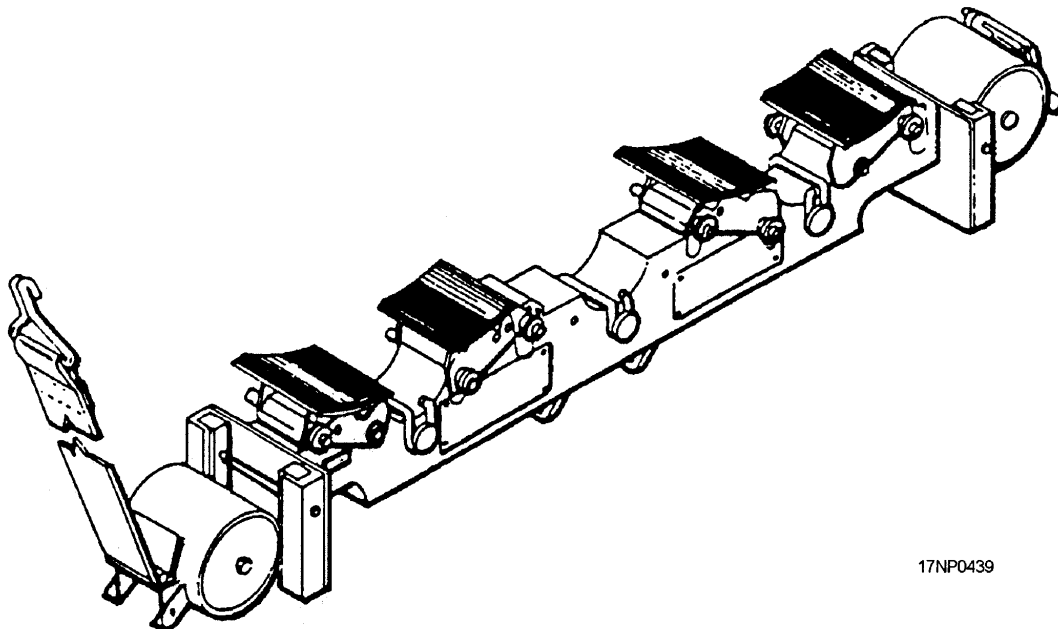


Figure 9-41.—ADU-511A/E adjustable weapons adapter.

The ADU-511A/E adapter is used in support of the AIM-7, AIM-120, ARMAAM, AGM-88, and the AGM-65 missiles for transporting and loading operations.

### ADU-400/E Weapon Skid Loading Lift Adapter

The ADU-400/E weapon skid loading lift adapter (fig. 9-42) consists of a hydraulically controlled steel lift frame that supports a drilled steel tubular beam. The hydraulic system includes a fluid tank, hand lever, cylinder, and pressure gauge. There are extendable outriggers with height adjustment handles to provide stability when the adapter is mounted on the appropriate transporter.

The ADU-400/E adapter is mounted on the MHU-191/M munitions transporter. It is used with a variety of adapters to lift and position armament and maintenance devices on the aircraft. This adapter has an SWL of 2,500 pounds.

### REVIEW NUMBER 6

- Q1. What is the purpose of adapters when used with skids and weapons transporters?
- Q2. Describe how the brakes work on the Aero 12C bomb skid.
- Q3. What is the SWL of the Aero 12C bomb skid?
- Q4. List the adapters used with the 12C bomb skid.

- Q5. What adapter should you use to store a soft-skin weapon on an Aero 12C bomb skid?
- Q6. What is the SWL of the MHU-191/M munitions transporter?
- Q7. List the adapters/adapter assemblies used with the Aero 58A skid adapter.
- Q8. When mounted on the Aero 58A skid adapter, the ADU-483/E skid adapter assembly can support two weapons of what diameter?
- Q9. What weapon skid loading lift adapter consists of a hydraulically controlled steel lift frame?

### TRUCKS

**LEARNING OBJECTIVE:** Identify trucks used for ordnance handling to include ammunition handling, forklift, pallet, and Aero 33D/E bomb trucks. Recognize the safe loads for each.

The term *truck* applies to either a manually propelled or self-propelled vehicle. Gasoline engines, diesel engines, or electric motors power self-propelled trucks.

Gasoline- or diesel-powered trucks are equipped with exhaust system spark arresting devices. These devices help ensure safe operation of the trucks in areas where there is danger of fire or explosion caused by sparks. These vehicles must meet rigid mechanical and

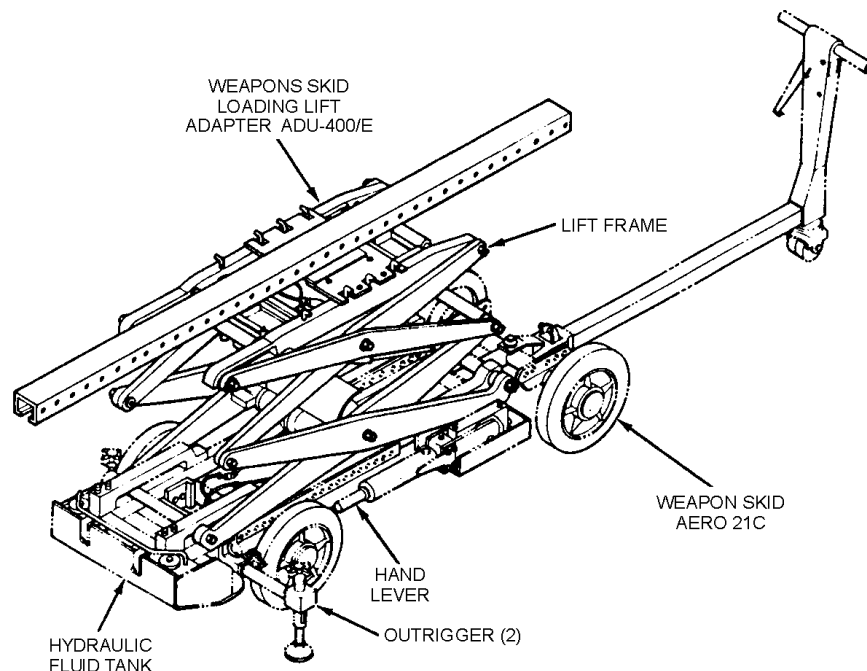


Figure 9-42.—ADU-400/E weapon skid loading lift adapter mounted to an MHU-191/M munitions transporter.

safety inspections. **Do not use vehicles that don't meet the minimum established inspection and safety criteria in ordnance handling evolutions.**

## **FORKLIFT TRUCKS**

The forklift truck is a mobile four-wheel or three-wheel unit that lets one person pick up, transport, and lift the load to different heights. The forklift truck is designed on the cantilever principle. The front wheels act as a fulcrum. The load is counterbalanced because the weight of the truck is directly behind the front wheels.

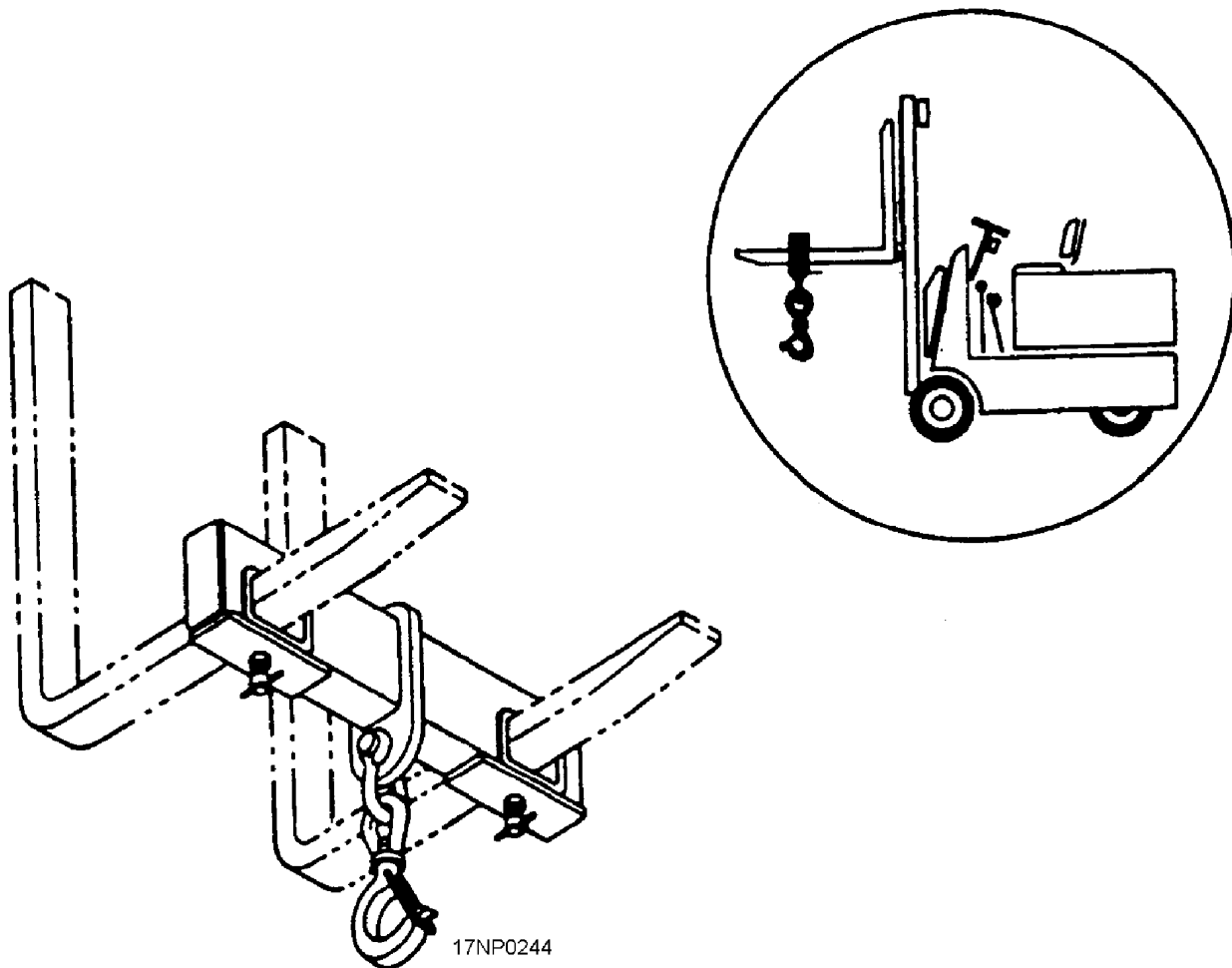
The forklift truck has two fork tines secured to the supporting frame. Both tines and the supporting frame are located in the front of the truck. The tines are moved vertically on the supporting frame by a hydraulic lift. The supporting frame may be either telescoping (to provide greater lift) or nontelelescoping. The tines and supporting frame can be tilted forward from the vertical position to pick up the load. The frame can be tilted

backward from a vertical position to help balance the load. The tines can also be fitted with an adapter hook, Mk 91 Mod 0 (fig. 9-43), which converts a forklift truck tine assembly into a fork/boom assembly, for lifting and transporting various loads.

Gasoline engines, electric motors, or diesel engines power forklift trucks. The electric motor or diesel engine forklift trucks are normally used during ordnance evolutions. Forklift trucks are equipped with braking systems and with either automobile- or lever-type steering mechanisms. Forklift trucks have solid rubber cushion tires for use over smooth and hard surfaces, such as paved roads, magazine and warehouse floors, and piers. Pneumatic tires are used for rough and uneven terrain, in mud, or over soft, sandy ground.

### **Diesel Engine Forklift Trucks**

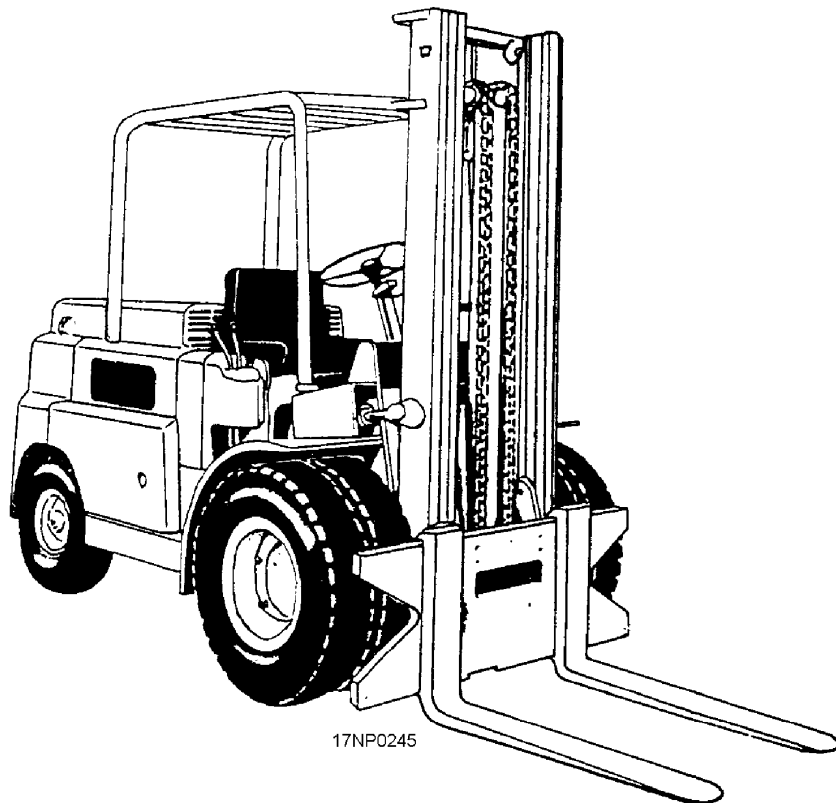
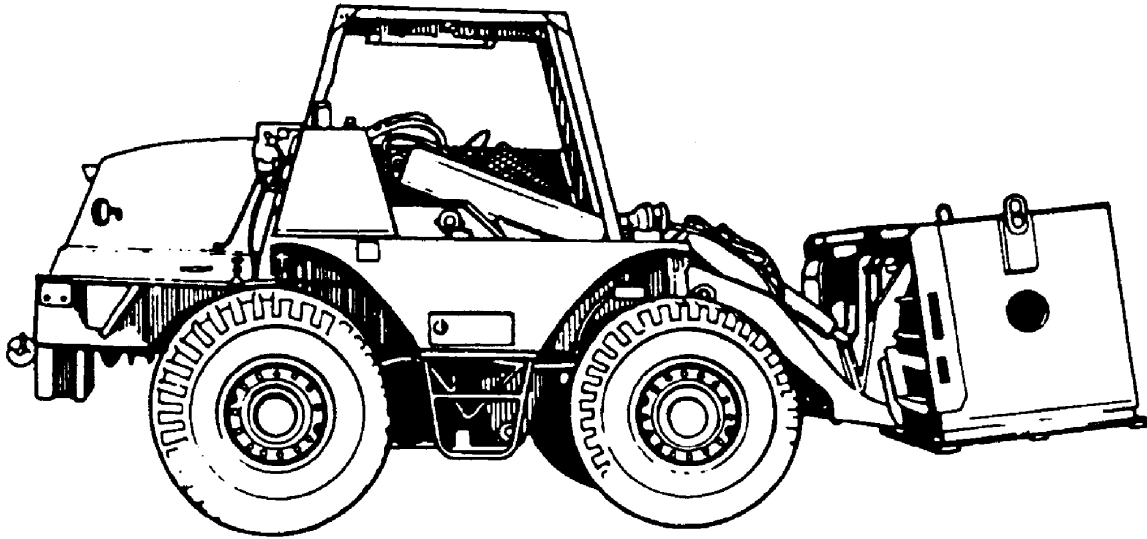
A wide variety of diesel engine forklift trucks are available for use throughout the Navy. They range from a 4,000-pound capacity to a 20,000-pound capacity



**Figure 9-43.—Mk 91 Mod 0 adapter hook.**

(fig. 9-44). It shows a typical 6,000-pound capacity forklift truck. This truck has a diesel engine and four pneumatic rubber tires. It is typical of the size and capacity ordnancemen usually use. A number of different models of this forklift truck are used at naval activities. Every model has an adjustable two-tine fork. The tines are secured to a vertical supporting frame that can be telescoped and tilted. The lifting and tilting mechanisms are hydraulically operated. An overhead

guard is also provided for the operator's safety. Forklift trucks have either dual or single front wheels, diesel engines, power-shifted transmissions, and either pneumatic or cushion tires. The main difference between the 4,000- and 6,000-pound trucks is in load-carrying capacity and in overall truck dimensions and weight. The exhaust systems of these trucks have spark-arresting devices that are used even when handling ammunition in the open.



17NP0245

Figure 9-44.—Typical 6,000-pound capacity diesel forklift trucks.

## REVIEW NUMBER 6 ANSWERS

- A1. When used with skids and weapons transporters, adapters are used to support a load for movement from one area to another.
- A2. The brakes on the Aero 12C bomb skid are applied by lowering the aft end of the skid to the deck.
- A3. The SWL of the Aero 12C bomb skid is 1,250 pounds.
- A4. The adapters used with the 12C bomb skid include the Aero 9B/C bomb skid adapter, Aero 39B bomb skid adapter, and Aero 64B soft-belt adapter.
- A5. You should use a 64B soft-belt adapter to store a soft-skin weapon on an Aero 12C bomb skid.
- A6. The SWL of the MHU-191 munitions transporter is 5,000 pounds.
- A7. The adapters/adapter assemblies used with the Aero 58A skid adapter include the 58A skid adapter, ADU-483/E skid adapter assembly, Aero 91A bracket adapter, Aero 71A skid adapter, Aero 64A soft-belt adapter, 83A transport adapter, and MXU-661/E skid platform adapter.
- A8. When mounted on the Aero 58A skid adapter, the ADU-483/E skid adapter assembly can support two weapons between 9 and 16 inches in diameter.
- A9. The ADU-400/E weapon skid loading lift adapter is a hydraulically controlled steel lift frame.

## Electric Forklift Trucks

Electric forklift trucks are used frequently by Ordnancemen. They are discussed in the following paragraphs.

**ELECTRIC FORKLIFT TRUCK, 4,000-POUND CAPACITY.**—A typical 4,000-pound capacity electric forklift truck is shown in (fig. 9-45). Many different models are currently used at naval

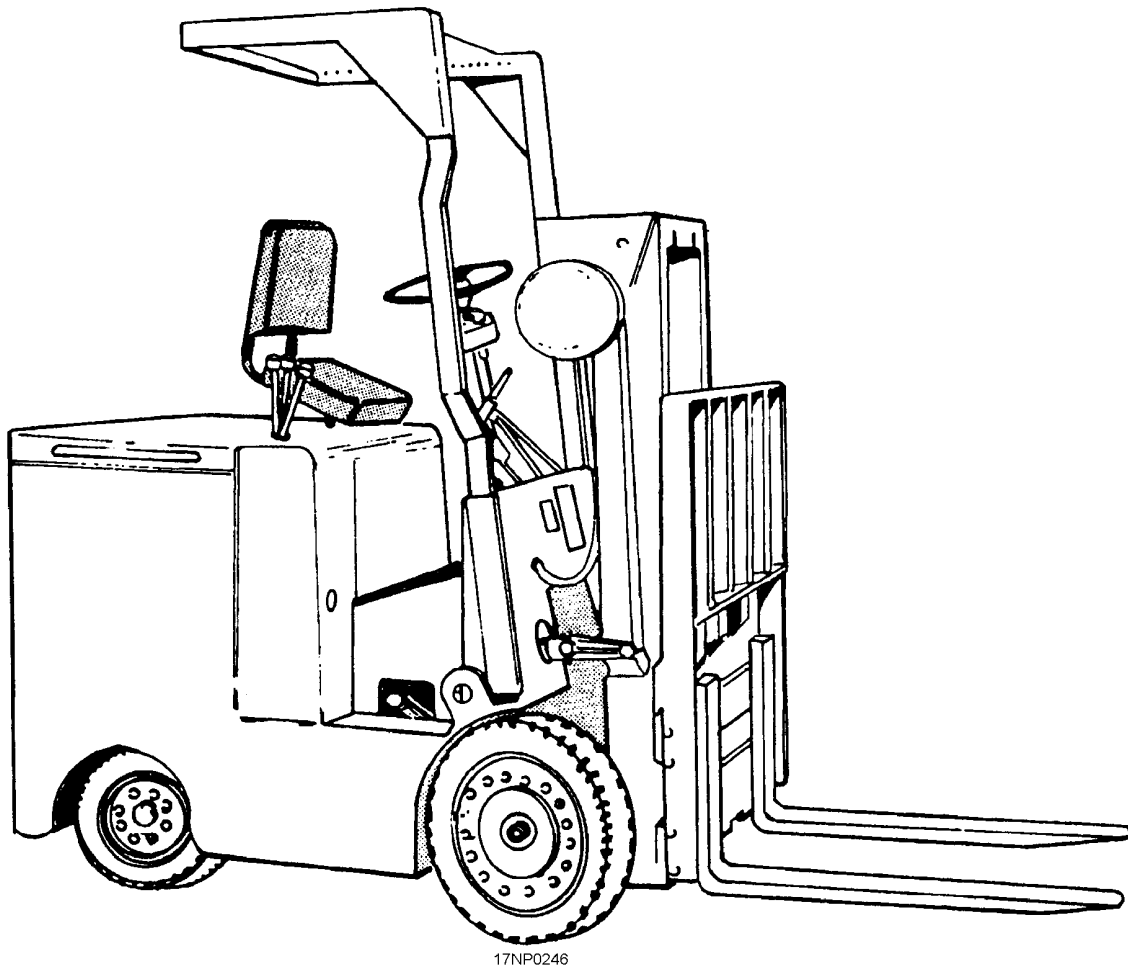


Figure 9-45.—Typical 4,000-pound capacity electric forklift truck.

activities. Every model has an adjustable two-tine fork secured to a vertical-supporting frame, which can be telescoped and tilted. An overhead guard may be provided for the operator's safety.

A rechargeable battery provides power for the operation of the truck and its hydraulic lift and tilt mechanisms. This type of forklift truck can pick up, transport, and lift loads weighing up to 6,000 pounds. It can also handle boxes of ammunition and other hazardous materials that can be properly supported across the fork tines. When you handle ammunition, the truck is spark-enclosed or explosive proof.

**ELECTRIC FORKLIFT TRUCK (REACHING AND TIEING, CONTINUOUS DUTY, NARROW AISLE), 4,000-POUND CAPACITY.—**

A typical 4,000-pound electric (reaching and tieing, continuous duty, narrow aisle) forklift truck is shown in (fig. 9-46). Several different models of this type of truck are in use at naval activities. Every model has an adjustable two-tine fork. The tines are secured to a vertical-supporting frame that can be telescoped and tilted. The tines are elevated by a hydraulic-mechanical

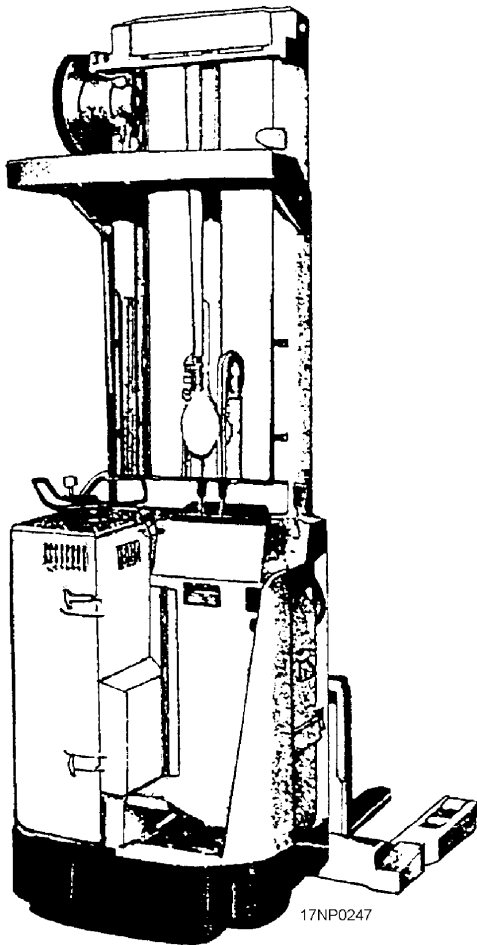


Figure 9-46.—Typical 4,000-pound capacity (reaching and tieing continuous duty, narrow aisle) electric forklift truck.

lift mechanism. An overhead guard is provided for the operator's safety. All models of this truck have outriggers to provide a rigid structure. A rechargeable battery provides the power for the operation of the truck and its hydraulic lift and tilt mechanisms. The forklift truck has mechanical or hydraulic brakes that the operator applies by using a foot pedal.

This truck is used to pick up, transport, stack, and unstack palletized unit loads weighing up to 4,000 pounds. It is intended for use in warehouses that have narrow aisles, low floor-load ratings, and aboard aircraft carriers. When you use the truck to handle ammunition, it is spark-enclosed.

**PALLET TRUCKS**

The pallet trucks used most frequently by Ordnancemen are discussed in the following paragraphs.

**Electric Pallet Truck (Low Lift)**

A typical 6,000-pound capacity electric (low lift) pallet truck is shown in (fig. 9-47). Several different models of this pallet truck are used at naval activities.

Each model of the pallet truck has a two-tine fork that supports a palletized load. The tines are raised or lowered by a hydraulic lift mechanism. Depending upon the model, the lift mechanism is either electrically or manually operated. The power source for truck traction is a rechargeable battery. It is steered by using the steering handle, with a possible right-angle turn in either direction. The truck is equipped with mechanical brakes, which, when applied, automatically shut off the electrical power.

The pallet truck is used to pick up, transport, and deposit palletized loads that do not exceed 6,000

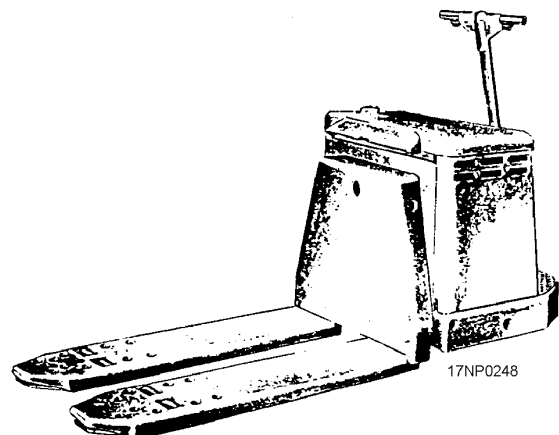


Figure 9-47.—Typical 6,000-pound capacity, low lift, electric pallet truck.



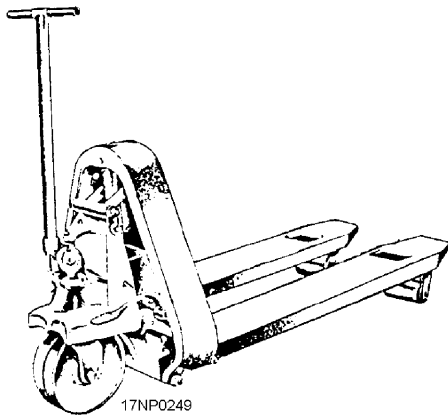


Figure 9-48.—Typical 4,000-pound capacity, low lift, hand pallet truck.

pounds. This truck is used on hard and smooth surfaces, such as warehouse and magazine floors. The pallet truck is spark-enclosed when used to handle ammunition.

### Hand Pallet Truck (Low Lift)

A typical 4,000-pound capacity (low lift) hand pallet truck is shown in (fig. 9-48). Many different models of this pallet truck are used at naval activities. Since the trucks all operate in the same way, the following general description applies to all models.

The 4,000-pound hand pallet truck has a two-tine fork that supports a palletized load. The tines are raised or lowered by a hydraulic or mechanical lift mechanism. The height of lift differs from model to model but is generally in the range of 2 to 4 inches. Depending upon the model, the lift mechanism is operated by the tow handle, a foot pedal, or a hand lever. The truck is not self-propelled and requires manpower for locomotion. It is steered by the tow handle. A right-angle turn is possible in either direction without moving the truck. The drive wheel is located directly beneath the tow handle. It is usually one solid rubber tire. The load wheels, located approximately 6 inches from the ends of the fork tines, can be arranged in a single or double (tandem) fashion under each tine.

The hand truck is used to pick up, transport, and deposit palletized unit loads on single- or double-faced pallets that don't exceed 4,000 pounds in weight. This truck is particularly useful and economical for moving loads a short distance. It must be used in areas that have hard and smooth surfaces.

### MK 45 MOD 2 HANDLIFT TRUCK

The Mk 45 Mod 2 handlift truck (fig. 9-49) body is mounted on two wheels equipped with polyurethane

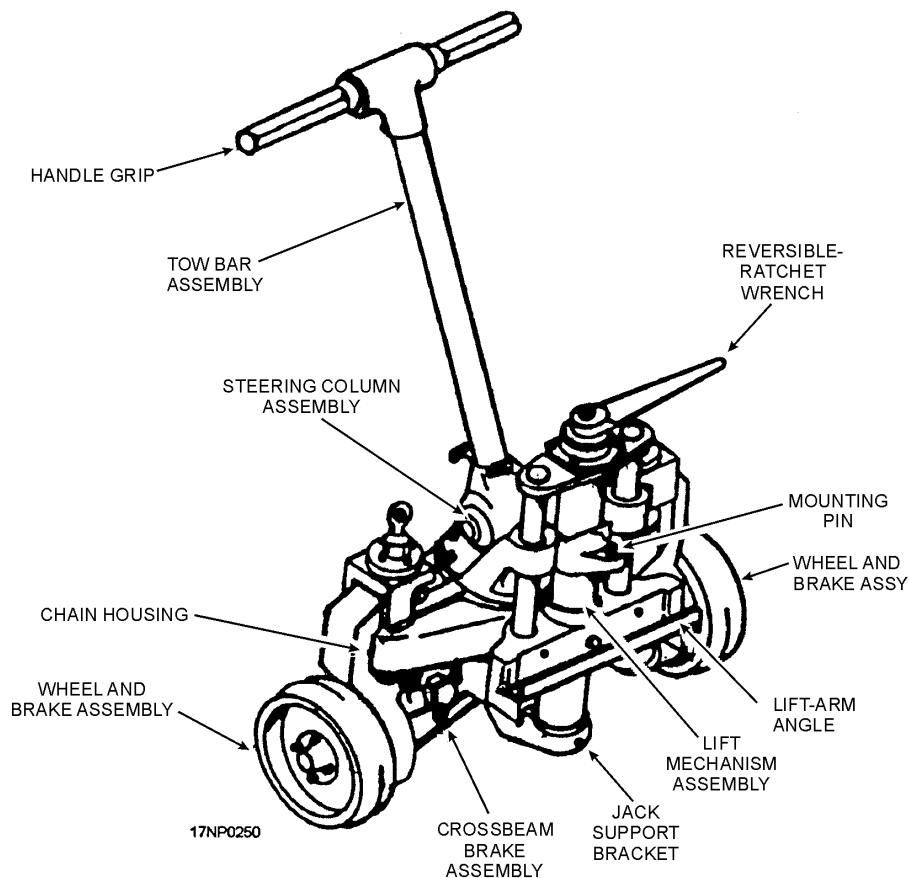


Figure 9-49.—Mk 45 Mod 2 handlift truck.

tires. The lifting mechanism, which includes a lift arm and a mounting pin for engaging the load, is manually operated by using a reversible, ratchet-type, cranking lever to raise or lower the lift arm assembly. A handlebar is connected to the axle for steering the truck.

The Mk 45 Mod 2 is intended for use in lifting and maneuvering long, heavy containers and cradles within the weight capacity of two trucks (5,000 pounds). These trucks are used in pairs, with one truck positioned at each end of the container being handled.

### REVIEW NUMBER 7

- Q1. What type of tires should you use on the forklift truck when using it in rough terrain?
- Q2. The electric forklift truck has rigid structures, which allow it to carry off-balance loads. What are these structures?
- Q3. What is the maximum capacity of the hand pallet truck?

### TRAILERS

LEARNING OBJECTIVE: Identify trailers used for ordnance handling to include the

*small munitions, SATS rough terrain, and Aero 51C munitions trailers.*

A trailer is a transport vehicle towed by another vehicle, such as a truck or tractor. All trailers are equipped with load-supporting bodies or frames and with wheels for locomotion. Trailers may be divided into three categories—weapon trailers, weight handling trailers, and warehouse trailers. Only trailers within the weapon trailer category are discussed in this TRAMAN because they directly support aircraft weapon loading operations ashore.

A weapon trailer consists of a heavy channel or tubular frame mounted on two axles and wheels that are equipped with four pneumatic tires. The frame is supported by automotive leaf-type springs. The front axle is steerable and the rear axle is fixed. The trailer is equipped with a tow bar or tow handle that has a towing eye on its end. Use the towing eye to couple the trailer to the towing vehicle. Some trailers have draw heads at the rear to couple the towing eye of another trailer.

A weapon trailer has cradles or brackets that fit the contours of the weapon being transported. The cradles or brackets on the trailer can be removed or adjusted for carrying loads of various sizes. Hold-down devices, such as chains or straps, secure the load during

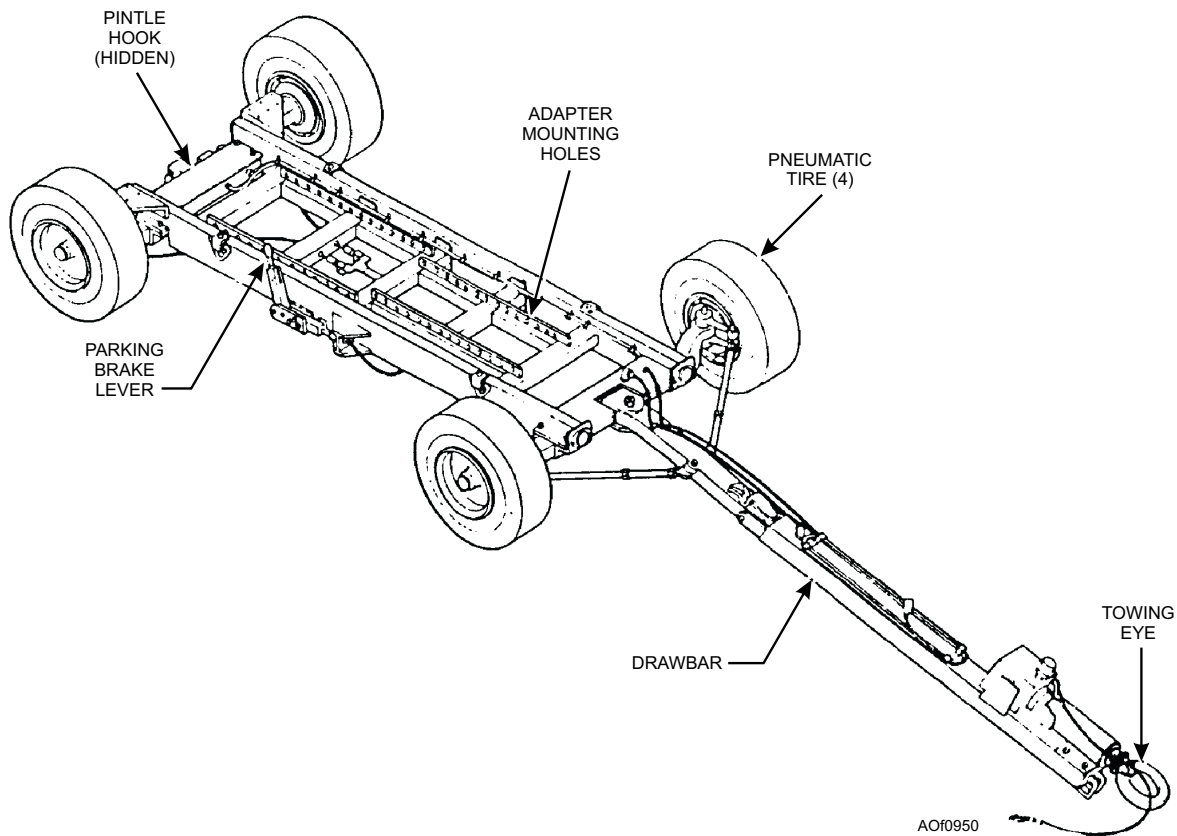


Figure 9-50.—MHU-126/M small munitions trailer.

transport. Some weapon trailers have hydraulic systems to load weapons on aircraft, or for similar uses.

Weapon trailers are used to transport weapons, such as bombs, mines, missiles, and torpedoes of various sizes. In general, the trailers are capable of operating over moderately soft or moderately rough terrain. The short airfield tactical site (SATS) trailers operate over very rough terrain. Vehicles such as the cargo truck (pickup) tow these trailers.

### MHU-126/M SMALL MUNITIONS TRAILER

The MHU-126/M small munitions trailer (fig. 9-50) has a low-slung, channel steel frame and four wheels with pneumatic rubber tires. Lengths of drilled steel bars welded to crossmembers of the frame provide mounting holes for the various adapters. The front axle is steerable and equipped with a draw bar that has a towing eye on its end to couple the trailer to a towing vehicle. A pintle hook on the rear of the frame permits coupling with another trailer. The wheels are equipped with hydraulic service brakes. Mechanical parking brakes are provided on two of the four wheels.

When it is equipped with adapters, you can use the MHU-126/M small munitions trailer to transport and load various weapons, stores, and equipment. The recommended maximum towing speed is 15 miles per hour for a single trailer and 5 miles per hour for multiple trailers being towed in a train. The MHU-126/M has an SWL of 5,000 pounds.

### A/M 32K-4A SATS ROUGH TERRAIN TRAILER

The A/M 32K-4A SATS rough terrain trailer (fig. 9-51) is a transport vehicle that consists of a chassis and a lightweight, flatbed, aluminum body. The chassis has two axles and four single wheels that are equipped with pneumatic tires. A torque box provides strength and rigidity to the body. You can remove two sections of the nonskid flatbed to use a forklift truck to load and unload the trailer. The trailer is equipped with a tow bar, multiple leaf springs, service brakes, and parking brakes. The trailer has 12 cradle tie-down fittings to hold the weapon cradles securely on the bed.

The A/M 32K-4A SATS rough terrain trailer is used to transport air-launched weapons from an ammunition dump to a SATS airstrip. You can operate it over very rough terrain. It is normally used at advanced bases. The trailer holds weapons in cradles that are two tiers in height when equipped with increased load-density weapon cradles. The cradles are secured to the trailer bed by quick-release, positive-locking clips. The SATS trailer can also be equipped with stake sides and used as a utility vehicle for transporting weapon components. The A/M 32K-4A has an SWL of 8,000 pounds.

### REVIEW NUMBER 7 ANSWERS

- A1. *When using the forklift truck in rough terrain, pneumatic tires should be used.*

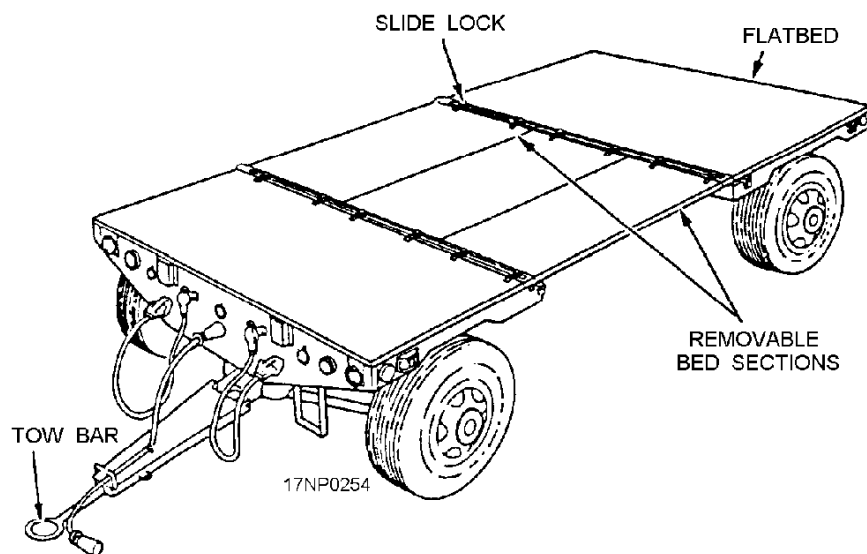


Figure 9-51.—A/M 32K-4A SATS rough terrain trailer.

- A2. The electric forklift truck has outriggers, which are rigid structures allowing it to carry off-balance loads.
- A3. The maximum capacity of the hand pallet truck is 4,000 pounds.

### AERO 51C MUNITIONS TRAILER

The Aero 51C munitions trailer (fig. 9-52) is a transport vehicle that has an automotive chassis and a flat-deck body. The chassis has two axles and four single wheels equipped with pneumatic tires. The center section of the nonskid flat deck is hinged. It can be opened to provide a hatchway across the full width of the vehicle. It also has hinged deck panels that have double rails with holes at intervals to provide a mounting base for cradles and adapters.

The trailer has hydraulic surge brakes and mechanical parking brakes, a tow bar, and cable harness. The cable harness electrically connects the trailer to the towing vehicle for operation of the trailer lights. Accessory items (chocks, tie-down straps, interconnecting electrical harness, etc.) are stored in toolboxes mounted underneath the forward and aft decks.

The Aero 51C munitions trailer is used with a towing vehicle to transport and hold a variety of weapons in ready storage. Adapters or cradles support the weapons on the trailer. This trailer is used to transport stores and cargo. The Aero 51C munitions trailer is not used aboard ship. The Aero 51C has an SWL of 8,500 pounds.

### REVIEW NUMBER 8

- Q1. What is the maximum recommended towing speed of the MHU-126/M small munitions trailer when towed alone and in a train?
- Q2. At what location should you use the Aero 51C munitions trailer?
- Q3. What is the SWL of the Aero 51C munitions trailer?

### LOADERS

**LEARNING OBJECTIVE:** *Identify the purpose and use of the SATS weapon loader.*

Loaders are generally used to handle a variety of loads, such as weapons, ammunition, JATO bottles, rockets, pylons, or fuel tanks, during naval aircraft loading operations. Some loaders are capable of operating over rough terrain while others are built for smooth surfaces. The types of loaders used to handle ammunition and explosives are equipped with flame- and spark-arresting mufflers.

### A/S 32K-1A/1B/1C SATS WEAPON LOADERS

Each A/S 32K-1A/1B/1C SATS weapon loader (fig. 9-53) is a self-propelled vehicle with a low, heavy-duty frame supported by six small, high capacity wheels. Each vehicle has two main functional components. The lifting mechanism has a lift boom, hydraulic system, and manipulating head. A piston-type hydraulic cylinder mounted in the midsection of

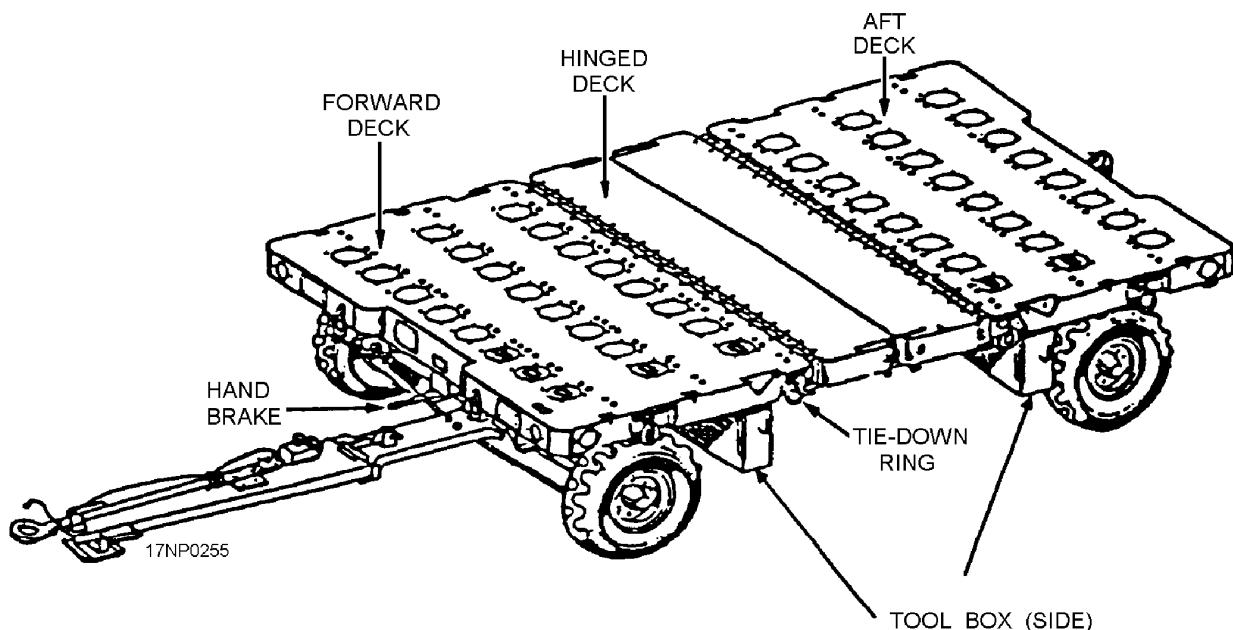


Figure 9-52.—Aero 51C munitions trailer.

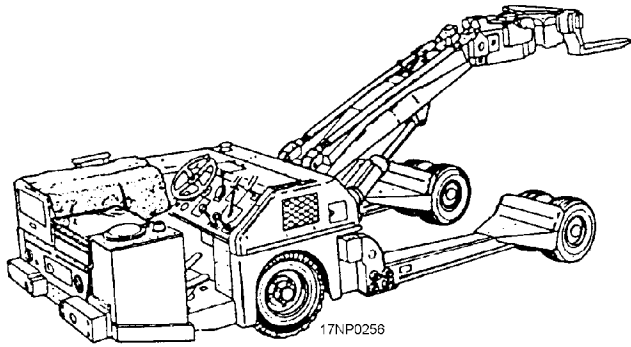


Figure 9-53.—A/S 32K-1A/1B/1C SATS weapon loader.

the boom support operates the lift boom. The manipulating head is located at the upper end of the lift boom, and is capable of limited lateral and longitudinal motions, as well as tilting and yawing motions. The head is equipped with lifting forks attached with quick-release pins and mounted in three positions—normal, inverted forward, and inverted rear.

The drive mechanism includes a hydrostatic drive system powered by a power-splitter gearbox, drive shaft with universal joints, limited-slip differential, axle/wheel disconnect hubs, and steerable drive wheels with power-assisted steering.

The power to operate the lift and drive mechanisms is supplied by a four-cylinder, air-cooled gasoline engine. The weapon loader is equipped with four-wheel hydraulic brakes, electric/hydraulic operated parking brakes, and a spark- and flame-arresting muffler. It is also equipped with nylon tie-down straps to hold the load securely during handling, a utility chain to lift items directly off the ground, and lights for night loading operations.

Each A/S 32K-1A/1B/1C SATS weapon loader has an SWL of 4,500 pounds. It is used to load externally carried munitions, weapons, and stores onto an aircraft. Each SATS weapon loader is used with a variety of adapters and cradles.

#### REVIEW NUMBER 8 ANSWERS

- A1. *The maximum recommended towing speed of the MHU-126/M small munitions trailer when towed alone is 15 mph and 5 mph when towed in a train.*
- A2. *You should use the Aero 51C munitions trailer with a towing vehicle to transport and hold a variety of weapons in ready storage.*

- A3. *The SWL of the Aero 51C munitions trailer is 8,500 pounds.*

#### REVIEW NUMBER 9

- Q1. *The A/S 32K-1A/1B/1C SATS weapon loader is used to load \_\_\_\_\_.*
- Q2. *What is the SWL of the A/S 32K-1A/1B/1C SATS weapon loaders?*

#### SAFETY PRECAUTIONS FOR HANDLING EQUIPMENT

**LEARNING OBJECTIVE:** *Recognize the safety precautions to follow when using ordnance handling equipment.*

You must observe the safety precautions and instructions that pertain to the safe operation and use of ammunition and explosives handling equipment, both afloat and ashore. The task of ammunition and explosives handling is hazardous. Accidents involving ammunition and explosives handling kill and injure personnel, destroy essential supplies, and damage valuable equipment and property. These accidents don't *just happen*. They are caused by carelessness or unfamiliarity with the use and limitations of handling equipment, as well as relaxation or failure to observe safety precautions, orders, and regulations pertaining to the handling and stowage of ammunition and explosives. You can prevent accidents caused by misuse of handling equipment if you take the time to understand the use and limitations of the handling equipment.

Many technical manuals and instructions contain information about safety, inspection, and tests for ordnance handling equipment. For general information, refer to the following publications:

- *Approved Handling Equipment for Weapons and Explosives*, NAVSEA OP 2173, Volume 1 (NAVAIR 19-100-1.1) and Volume 2 (NAVAIR 19-100-1.2)
- *Ammunition Afloat*, NAVSEA OP 4
- *Ammunition and Explosives Ashore, Safety Regulations for Handling, Storing, Production, Renovation, and Shipping*, NAVSEA OP 5, Volume 1

Use approved handling equipment to handle explosive ordnance. Approved handling equipment is described in NAVSEA OP 2173. Before you can be

assigned to operate any explosive ordnance handling equipment, you must receive a thorough indoctrination in general safety precautions applicable to explosive ordnance. You must also be indoctrinated in the specific precautions applicable to the equipment you will be operating. Additionally, you must be qualified and certified under OPNAVINST 8023.2 (series) and other appropriate command directives.

To assure reliability, explosive handling equipment must be inspected and periodically tested. Equipment, such as slings, bands, beams, strongbacks, and spreader bars, is static tested at 200 percent to 215 percent of SWL. If the date and the results of the latest static test are not marked on the equipment or the test is out of date, don't use the equipment.

You must possess a valid explosives drivers license before operating industrial material handling equipment, such as forklift trucks, pickup trucks, platform trucks, crane trucks, and tractors and trailers.

You must never exceed the SWL of the equipment being used. If adapters are being used, you cannot exceed the **lowest** SWL of the equipment-adapter configuration. For example, if an Aero 12C bomb skid (SWL of 1,250 pounds) is used with an Aero 9C bomb skid adapter (SWL of 1,000 pounds), the maximum capacity of the skid-adapter configuration is limited to 1,000 pounds.

#### **REVIEW NUMBER 10**

- Q1. What is the primary cause of accidents involving handling equipment?*
- Q2. To operate handling equipment that carries explosives, you must be qualified and certified according to what instruction?*

- Q3. Equipment, such as slings, bands, beams, and strongbacks, is weight tested at what percentage of its SWL?*
- Q4. If the date and results of the latest static test are not current or not marked on the equipment, what should you do?*

#### **REVIEW NUMBER 9 ANSWERS**

- A1. The A/S 32K-1A/1B/1C SATS weapon loader is used to load externally carried munitions, weapons, and stores onto aircraft.*
- A2. The SWL of the A/S 32K-1A/1B/1C SATS weapon loaders is 4,500 pounds.*

#### **REVIEW NUMBER 10 ANSWERS**

- A1. The primary cause of accidents involving handling equipment is carelessness or unfamiliarity with the use and limitations of handling equipment, failure to observe safety precautions, orders, and regulations about handling and stowing ammunition and explosives.*
- A2. To operate handling equipment that carries explosives, you must be qualified and certified according to OPNAVINST 8023.2 (series).*
- A3. Equipment, such as slings, bands, beams, and strongbacks, is weight tested at 200 to 215 percent of its SWL.*
- A4. If the date and results of the latest static test are not current or not marked on the equipment, don't use it.*

## CHAPTER 10

# SUSPENSION, ARMING, AND RELEASING EQUIPMENT

The Navy uses complex suspension, arming, and releasing devices in combat aircraft and weapons. The high speed and performance of potential targets and our own aircraft require the electronic operation of suspension, arming, and releasing equipment.

The equipment covered in this chapter is part of the aircraft search or kill stores systems. Generally, these devices operate electrically and are controlled by aircraft electrical circuits. A circuit-closing device actuates them manually by a hand switch or automatically in the system.

### BOMB RACKS

**LEARNING OBJECTIVE:** *Identify the purpose and use of bomb racks. Recognize the bomb racks used for various configurations, and identify the operation of bomb racks to include electrical and manual release and arming.*

Aircraft bombs, torpedoes, mines, and other stores are suspended internally or externally from the aircraft by bomb racks. Bomb racks carry, arm, and release stores.

#### Aero 1A Adapter Assembly

The Aero 1A adapter assembly (fig. 10-1) lets you load and carry weapons/stores that have suspension lugs spaced 30 inches apart and weigh up to 2,000 pounds. When you install two Aero 1A adapter assemblies on the bomb rack (one on either end), the adapter assemblies let you attach the bomb rack to the aircraft pylon assembly. The Aero 1A adapter linkage attaches to the bomb rack. The movement of the Aero 1A adapter suspension hooks corresponds to the

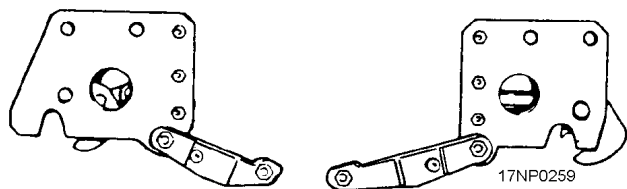


Figure 10-1.—Aero 1A bomb rack adapter assembly.

movement of the bomb rack suspension hooks. If you need more information about the Aero 1A adapter assembly, refer to *Bomb Rack Adapter Assembly Aero 1A*, NAVAIR 11-5E-17.

#### PENGUIN MISSILE LAUNCH ADAPTER

The MLA attaches to the left outboard pylon of the SH-60 helicopter and provides mechanical attachment points for the missile launch and release system. The missile launch adapter is equipment with the BRU-14 bomb rack with Aero 1B adapters, which provide the rack with 30-inch suspension.

#### BRU-12/A BOMB RACK

The BRU-12/A bomb racks (fig. 10-2) is designed for fixed mounting in a bomb bay of military aircraft and can be used to carry, arm, and release a weapon/store weighing up to 1450 pounds and has two hooks, spaced 14 inches apart. Two solenoid actuated arming units, at the bottom of the rack, provide mechanical arming for the nose and tail of a weapon/store. These units are electrically actuated to arm a weapons/store as it is dropped. If the arming units are not electrically actuated, the weapon/store will drop unarmed. A Linear Electromechanical Actuator (LEMA) provides electrical release of a weapon/store. No in-flight manual release mechanism is provided.

#### BRU-14/A BOMB RACK

The BRU-14/A bomb rack (fig. 10-3) provides suspension and release of conventional and special weapons/stores up to 2,200 pounds with 14-inch suspensions. At times, Aero 1A adapter assemblies are used to increase the bomb rack to 30-inch suspension capacity. You may install it in the bomb bay of the P-3C and S-3 aircraft.

Sway braces are bolted to the rack frame. Installation of an IFOBRL allows remote locking and unlocking of the rack when electrical power is applied to the aircraft.

The BRU-14/A bomb rack has an auxiliary unlock assembly. It releases the IFOBRL if it fails to function

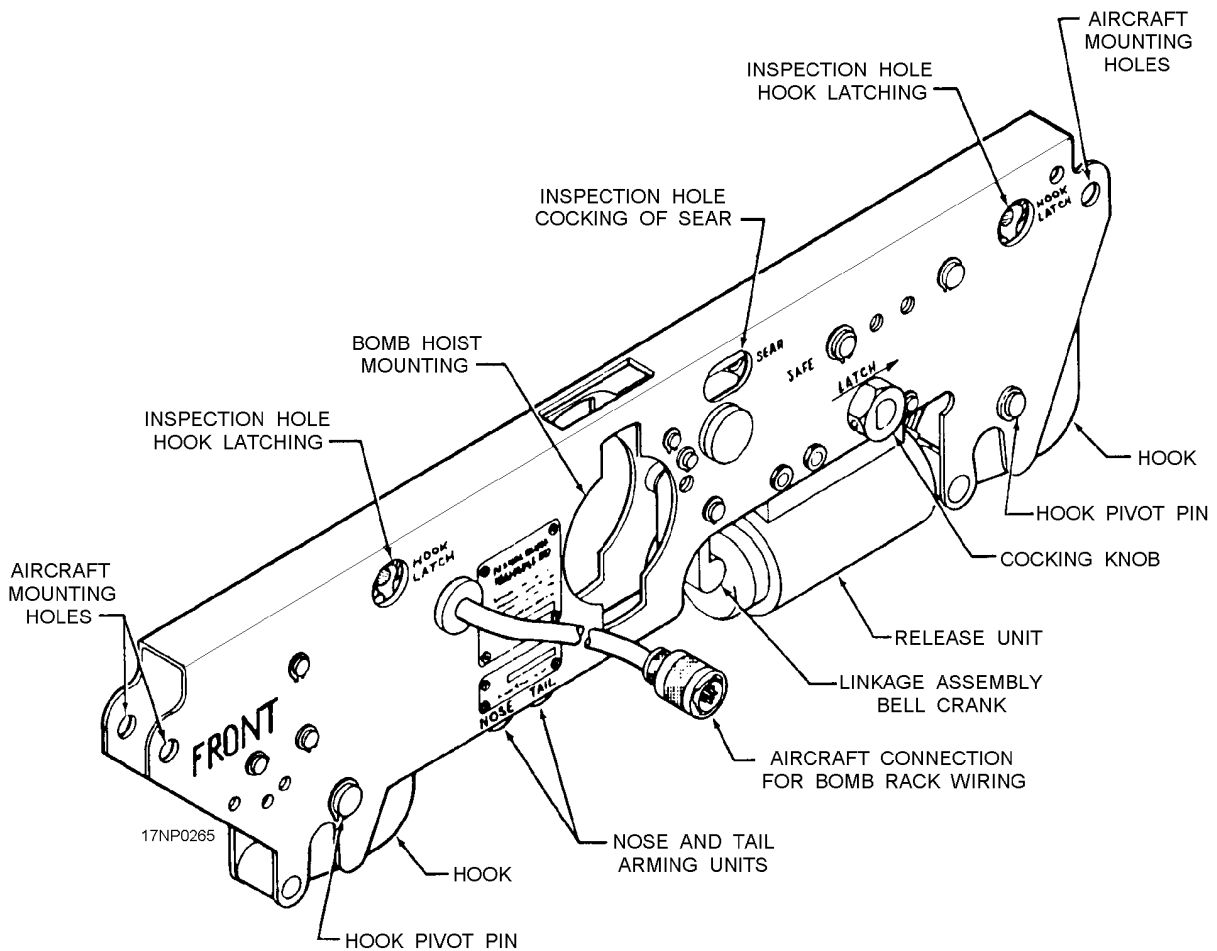


Figure 10-2.—BRU-12/A aircraft bomb rack.

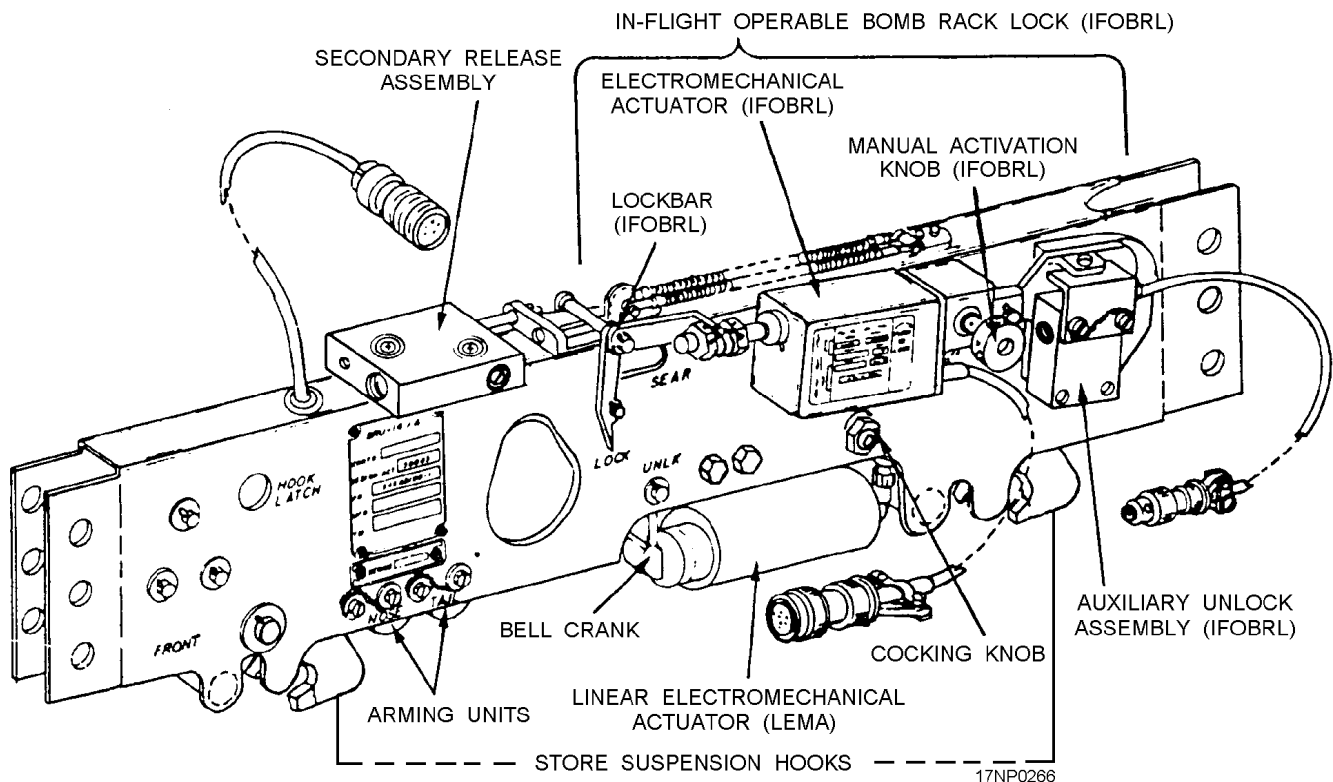


Figure 10-3.—BRU-14A aircraft bomb rack (left-hand configuration).



in the normal release mode. The auxiliary unlock assembly is a cartridge-actuated device (CAD) that provides a mounting point for the aft end of the IFOBRL. When actuated, the unlock assembly releases the IFOBRL and allows it to move forward. This frees the sear link from restraint and lets the rack linkage function normally.

The BRU-14A bomb rack has a secondary release assembly. It initiates hook release if the LEMA fails to function. The secondary release assembly is a CAD that consists of a housing, piston, and release slider assembly mounted on the top of the bomb rack frame. When actuated, the secondary release moves the sear link forward to release the bomb rack. The BRU-14/A doesn't have remote manual-release capabilities.

If you want more information about the BRU-14/A bomb rack, refer to *Bomb Rack BRU-14/A and BRU-15/A*, NAVAIR 11-5E-18.

### BRU-15/A BOMB RACK

The BRU-15/A bomb rack (fig. 10-4) is installed on the wing stations of the P-3 aircraft. It is used with the aircraft wing store launcher assembly, which is modified to launch a Harpoon missile. You can attach Aero 1A adapter assemblies to increase the bomb rack to 30-inch suspension capacity.

The BRU-15/A bomb rack is a modification of the BRU-14/A bomb rack. The functional and physical characteristics of the BRU-15/A are shown below.

- The IFOBRL mechanism and associated auxiliary unlock device are not included.

- There is a safety mechanism to positively lock the release mechanism of the bomb rack when a safety pin is installed.
- There is a cable-actuated manual release mechanism that operates the primary release linkage through an added manual release cable and lever.

### REVIEW NUMBER 1

- Q1. The BRU-14/A bomb rack is installed in what aircraft?
- Q2. What bomb rack is used on the wing stations of the P-3C aircraft?

### BOMB EJECTOR RACKS

**LEARNING OBJECTIVE:** *Identify the purpose and use of bomb ejector racks to include their principles of operation, maintenance requirements, and operational description.*

When in flight, today's high-speed fighter and attack aircraft create a vacuum under the fuselage and wings. If a weapon/store is released from the bomb rack, this vacuum can prevent the weapon/store from entering the airstream and falling to the target. If this happens, the weapon/store may physically contact the aircraft structure, causing serious damage to or loss of the aircraft.

Bomb ejector racks are different from bomb racks. Bomb ejector racks use electrically fired impulse

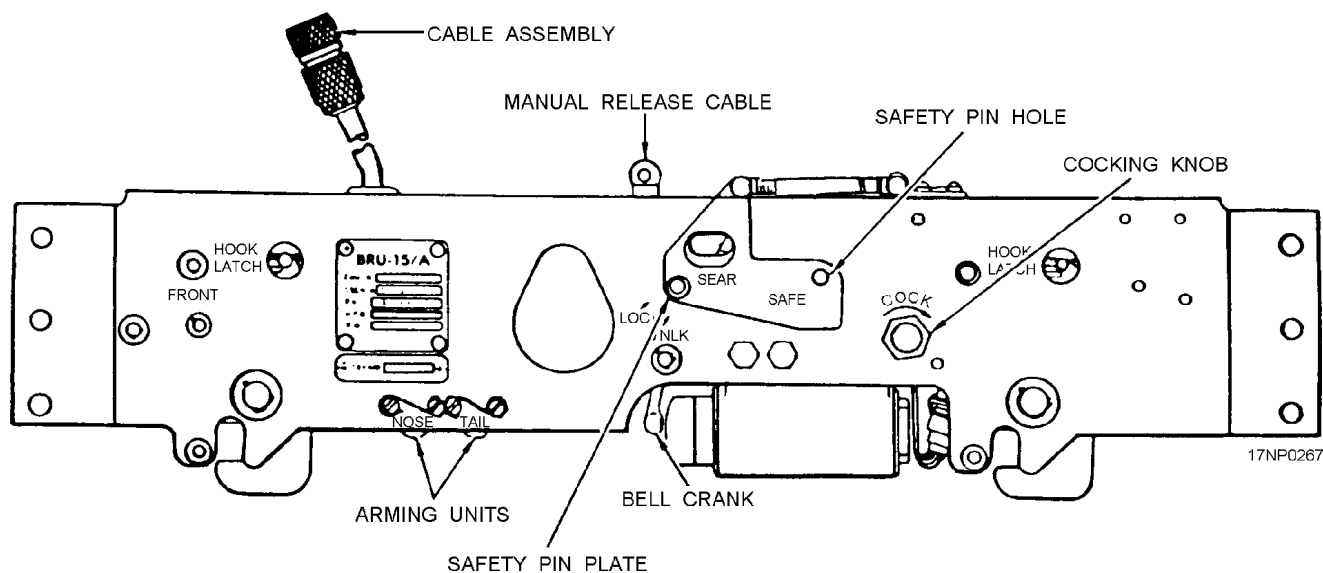


Figure 10-4.—BRU-15/A bomb rack.

cartridges to eject the weapon/store free of the bomb racks. Bomb ejector racks eject the weapon/store from the bomb rack with sufficient force to overcome vacuum buildup and ensure a safe weapon/store-launching environment.

### BRU-11A/A Bomb Ejector Rack

The BRU-11A/A bomb rack (fig. 10-5) is used on the wing stations of the S-3 aircraft. The rack provides mounting and bracing for single weapons/stores or a triple ejector rack. Electrical connection and mechanisms for release and mechanical arming of stores are an integral part of the bomb rack.

Four suspension hooks, asymmetrically positioned, provide for attachment of weapons/stores having either 14-inch or 30-inch suspension and weighing up to 4,000 pounds (because of aircraft structural limitations only weapons/stores weighing up to 2850 pounds are authorized).

Major components consist of a rack assembly, ejector unit, auxiliary release unit, and an in-flight operable bomb rack lock (IFOBRL) mechanism.

The ejector unit is equipped to accept two bomb ejector cartridges. When the cartridges are fired, the suspension hooks open and the ejector foot forcibly ejects the weapon/store from the rack assembly. The auxiliary release unit provides an emergency method of release should the ejector assembly or its electrical system fail. The IFOBRL mechanism consists of a remotely controlled bomb rack lock and an emergency release (auxiliary unlock) for the bomb rack lock. The lock/unlock actuator is controlled electrically or manually during loading/unloading or ground checks. The locking feature replaces the use of the mechanical safety pin. Daily and preflight inspections ensure that the bomb rack is in a safe operating condition.

If you need more information about the BRU-11A/A bomb ejector racks, refer to *Bomb Ejector Rack BRU-11A/A*, NAVAIR 11-10C-24.

### REVIEW NUMBER 1 ANSWERS

- A1. *The BRU-14/A bomb rack is installed in the P-3C aircraft.*
- A2. *The BRU-15/A bomb rack is used on the wing stations of the P-3C aircraft.*

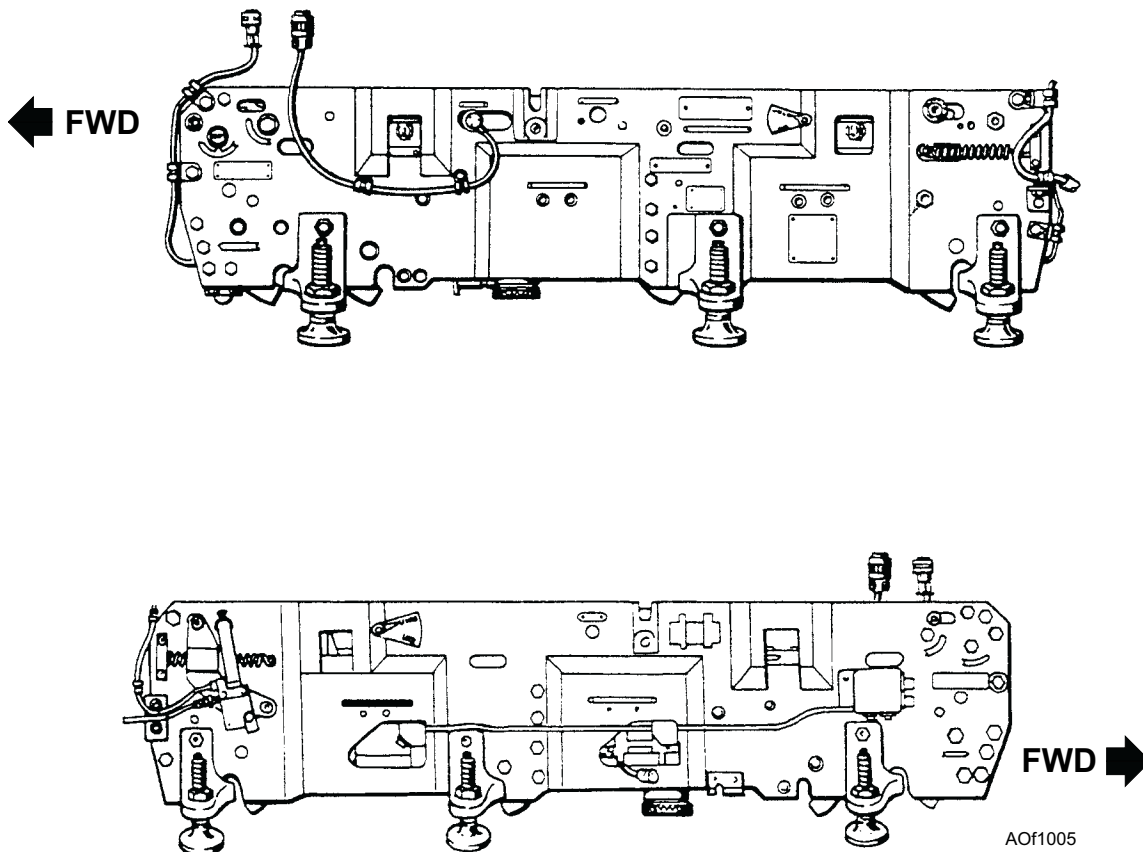


Figure 10-5.—BRU-11A/A bomb rack.

AO1005

## REVIEW NUMBER 2

- Q1. What is the maximum store capacity of the BRU-11A/A bomb ejector rack?
- Q2. What does the auxiliary release unit provides on a BRU-11A/A?

### BRU-32/A BOMB EJECTOR RACK

The BRU-32/A bomb ejector rack (fig. 10-6) is installed on the F/A-18 aircraft. It is used to suspend single stores, BRU-33/A vertical ejector racks (VER), and LAU-115/A, LAU-117/A, and LAU-118/A missile launchers by using a 14-inch suspension hook.

The BRU-32/A bomb ejector rack has safety interlock and automatic sway bracing. The safety interlock mechanically prevents the accidental opening

of the suspension hooks. It is also used to lock and unlock the suspension hooks during loading operations. Automatic sway bracing is controlled by the opening and closing of the suspension hooks.

Sensing switches are incorporated within the rack to indicate to the stores management processor (SMP) that a store is loaded. The primary ejection uses two cartridges to generate the required gas pressure for rack operations. If the primary ejection fails, the auxiliary release unit provides emergency release. The auxiliary release unit uses one cartridge that opens the hooks only. Nose and tail arming solenoids are used with mechanical fuzing. The Mk 39 electric fuzing receptacle is used for electric fuzing. The bomb rack is interchangeable with the centerline or the inboard and outboard pylons.

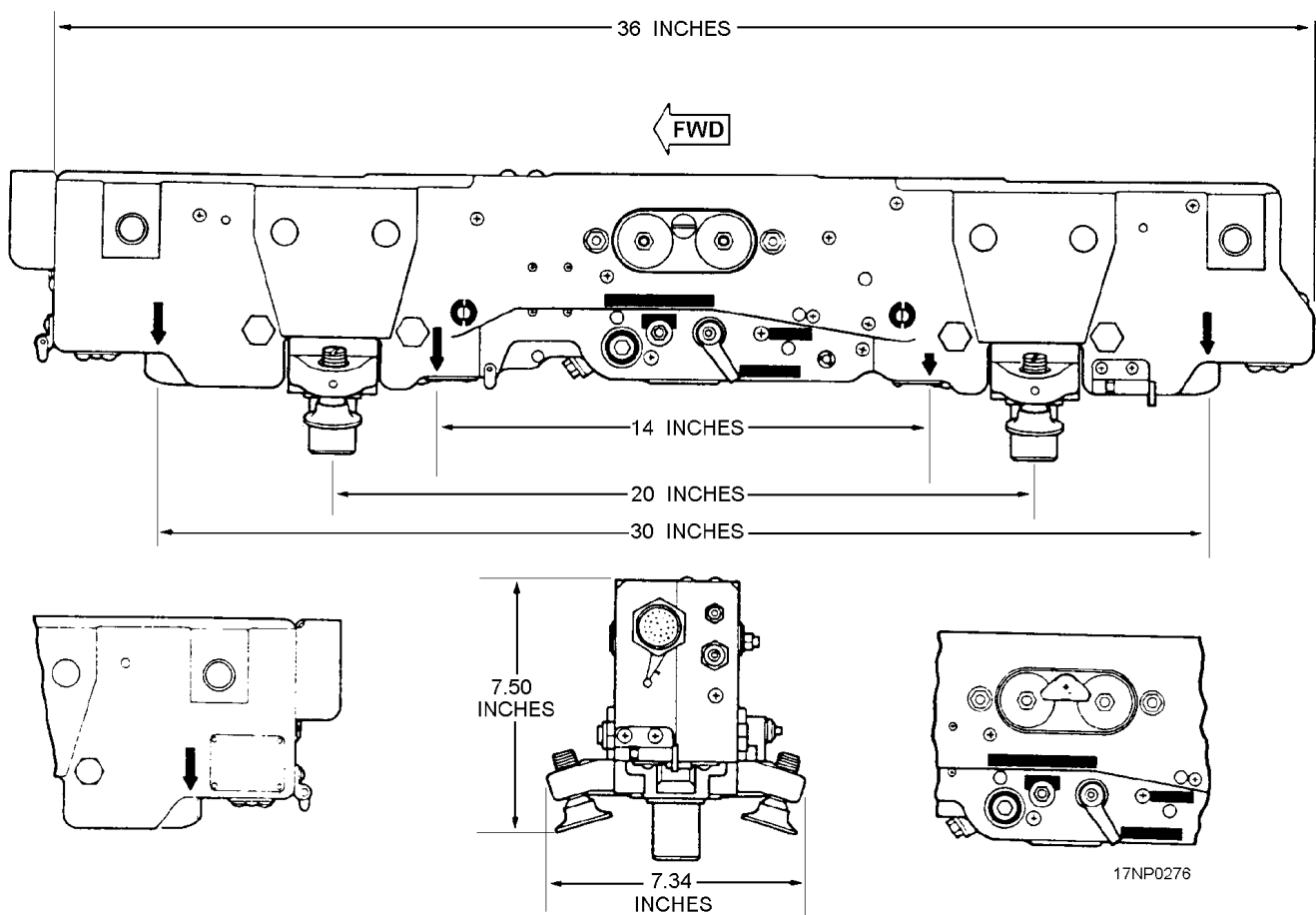


Figure 10-6.—BRU-32/A bomb ejector rack.

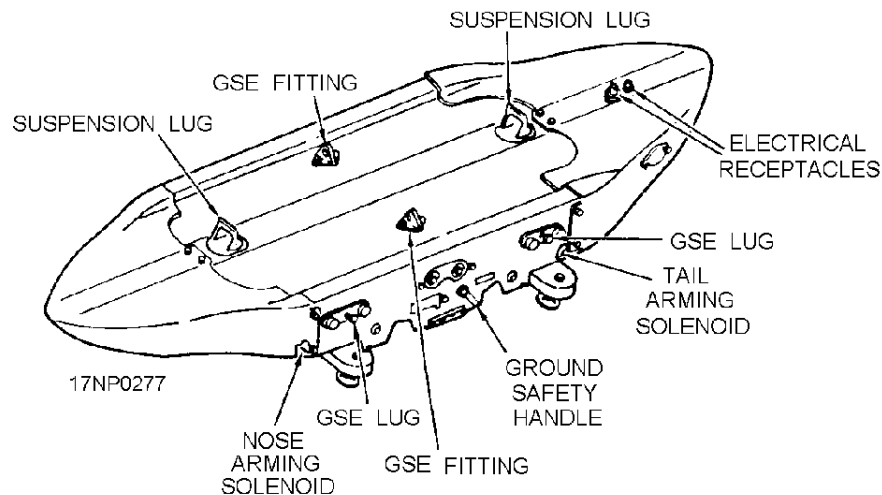


Figure 10-7.—BRU-33/A bomb ejector rack.

### BRU-33/A BOMB EJECTOR RACK

The BRU-33/A bomb ejector rack (VER) (fig. 10-7) is suspended by the BRU-32/A bomb ejector rack. It is used to suspend two stores weighing up to 1,000 pounds each by using 14-inch suspension hooks. The VER features a special safety interlock and automatic sway bracing. The safety interlock is electrically controlled by the aircraft and mechanically prevents accidental opening of the suspension hooks.

Sensing switches are incorporated to indicate to the SMP that a store is loaded. The rack has provisions for mechanical and electric fuzing. The ejection unit uses two cartridges to generate the required gas pressure for rack operations.

### REVIEW NUMBER 2 ANSWERS

- A1. *The maximum store capacity of the BRU-11A/A bomb ejector rack is 4,000 pounds.*
- A2. *The auxiliary release unit provides an emergency method of release should the ejector assembly or its electrical system fail.*

### IMPROVED MULTIPLE EJECTOR RACK BRU-41/A (IMER) AND IMPROVED TRIPLE EJECTOR RACK BRU-42/A (ITER)

The BRU-41/A (fig. 10-8) and the BRU-42/A (fig. 10-9) operate and function basically the same. There are four major subassemblies—the structural adapter assembly, the electronic control unit, the cable

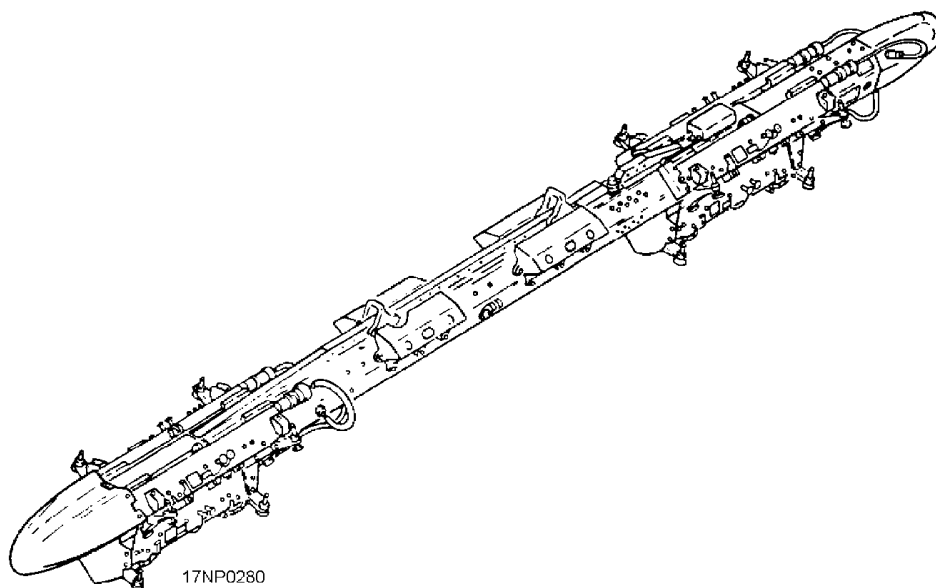
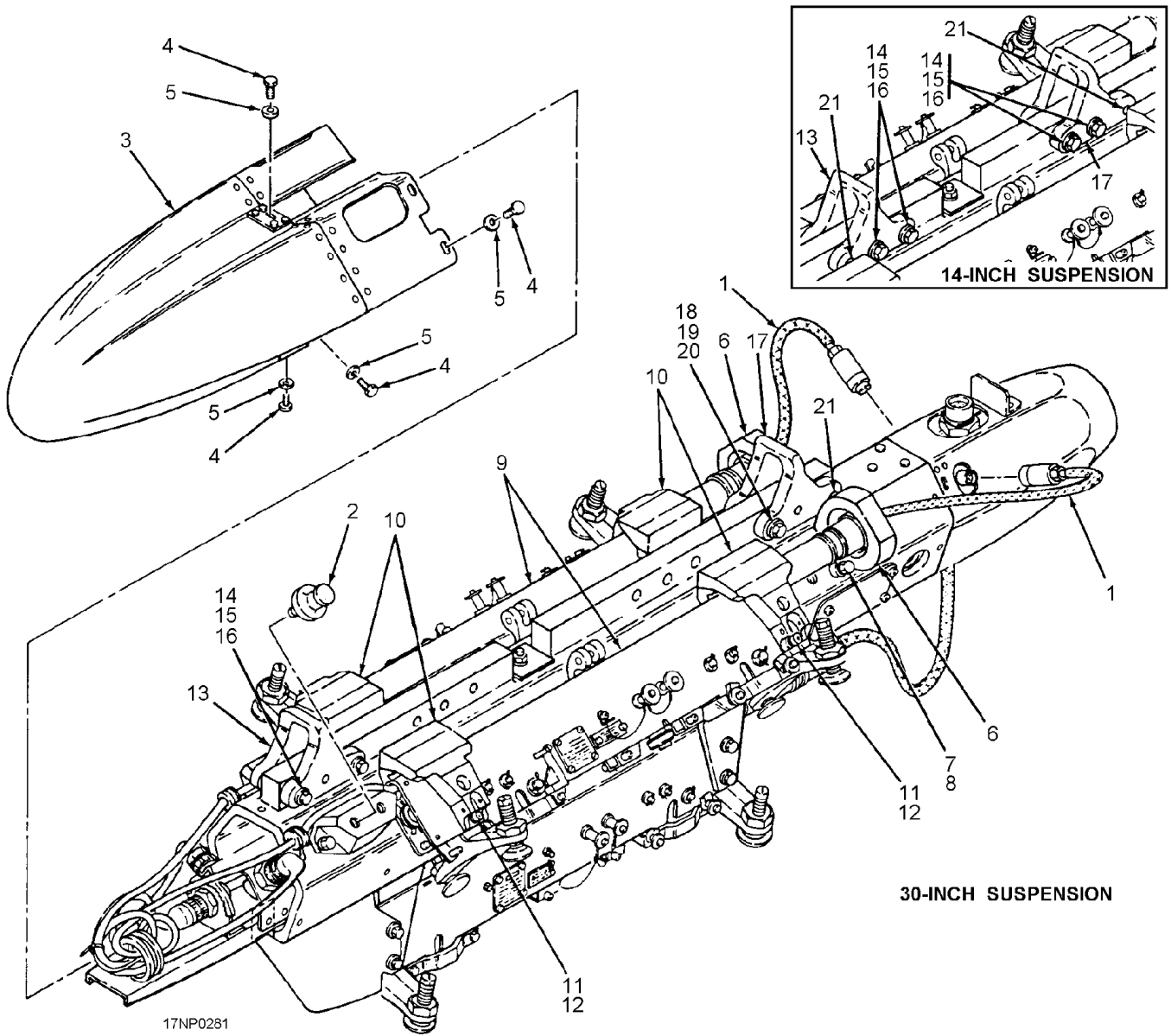


Figure 10-8.—BRU-41/A IMER.



- |                                   |                            |                        |
|-----------------------------------|----------------------------|------------------------|
| 1. Firing lead cables/breech caps | 8. Washers                 | 15. Nuts               |
| 2. Sway brace pad extensions      | 9. Shoulder ejector units  | 16. Washers            |
| 3. Nose cone                      | 10. Sway brace pads        | 17. Aft suspension lug |
| 4. Bolts                          | 11. Bolts                  | 18. Bolt               |
| 5. Washers                        | 12. Washers                | 19. Nut                |
| 6. Aft sway brace pads            | 13. Forward suspension lug | 20. Washers            |
| 7. Bolts                          | 14. Bolts                  | 21. Pin                |

Figure 10-9.—BRU-42/A ITER.

assembly, and the ejector unit. The electronic control unit and the ejector unit are the same for both the BRU-41/A and the BRU-42/A.

**Adapter Assembly**

The adapter assembly is a hollow, hexagonal aluminum extrusion that forms the main support for the rack assembly hardware. Attaching points on the

adapter assembly provide 14-inch or 30-inch spacing of the suspension lugs, which allows installation on the various types of aircraft.

The adapter assembly houses the electronic control unit and cable assembly and provides for attachment of six or three individual ejector units. A nose-cone assembly and a tail-cone assembly enclose the ends of the adapter assembly for aerodynamic purposes.

## Electronic Control Unit

The electronic control unit is a solid-state electronic control unit in a sealed container. The electronic control unit controls all the functions of the bomb rack and have the capability of releasing stores at 35-millisecond intervals. The electronic control unit is disposable. If it malfunctions, replace it with a new one.

## Ejector Unit Assemblies

The ejector unit assemblies used on the IMER and ITER are identical. The only difference between them is the internal configuration of the release linkage. The ejector units are configured for right-hand shoulder installation, left-hand shoulder installation, or centerline installation (fig. 10-10). Part number identifies them. The shoulder stations are attached to the adapter assembly by ejector unit attach blocks. The centerline stations are attached by ejector unit attach hangars. A IMER/ITER ejector unit (fig. 10-11) consists of a housing assembly equipped with integral wiring, a breech and ejector mechanism, store suspension hooks, a store sensing switch, two mechanical arming solenoids, an electrical arming unit, adjustable sway braces, and mechanical linkage driven by the breech or manual release lever to open the suspension hooks.

The suspension hooks are spaced 14 inches apart and are independently self-latching. There is a manual release lever, which is used to open the hooks during ground operation. The safety stop lever is used to safe the ejector unit mechanically. Look at figure 10-12. It shows the locked and unlocked positions of the ejector unit safety stop lever. When the safety lever is in the locked position, the hook release rod is physically

blocked from rearward movement and prevents suspension hook release. If the hook release rod is not in the full forward position, the safety stop lever cannot be rotated to the locked position. A store-sensing switch is located under the forward suspension hook, and is actuated by the opening and closing of the hook.

## IMER/ITER Operational Description

The functional description of the IMER/ITER ejector rack is discussed in two categories—ejector unit mechanical operation and IMER/ITER electrical operation.

**EJECTOR UNIT OPERATIONAL DESCRIPTION.**—All ejector units on the IMER and ITER are operationally the same. An electrically initiated gas-generating cartridge actuates the ejection mechanism. As you read this section, look at figure 10-13. It shows the mechanical operation of the ejector unit.

When a store is loaded onto the ejector unit, the store suspension lugs force the suspension hooks to the closed position. The suspension hooks are locked in the closed position by the over center position of the hook toggle levers. The link stops, located over each of the hook toggle levers, prevent the suspension hooks from opening until the cartridge is fired or the manual release lever is pulled, even if the safety stop lever is in the unlocked position (fig. 10-13, view A).

When the gas-generating cartridge is fired, the resulting gas pressure moves the breech aft. The aft movement of the breech also moves the hook release rod aft, lifting the toggle hook levers from the over center position. The cranks are forced down. This unlocks the suspension hooks (fig. 10-13, view B).

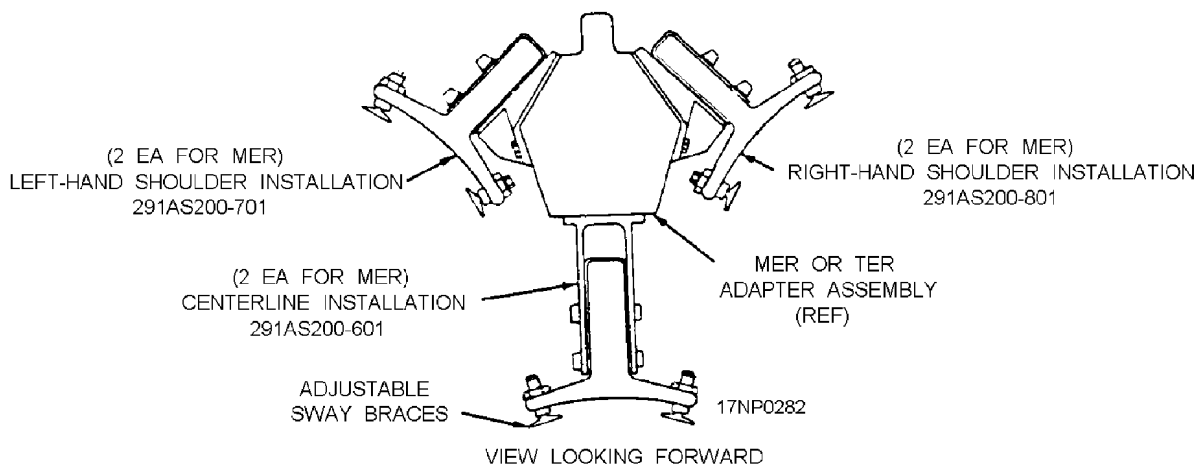
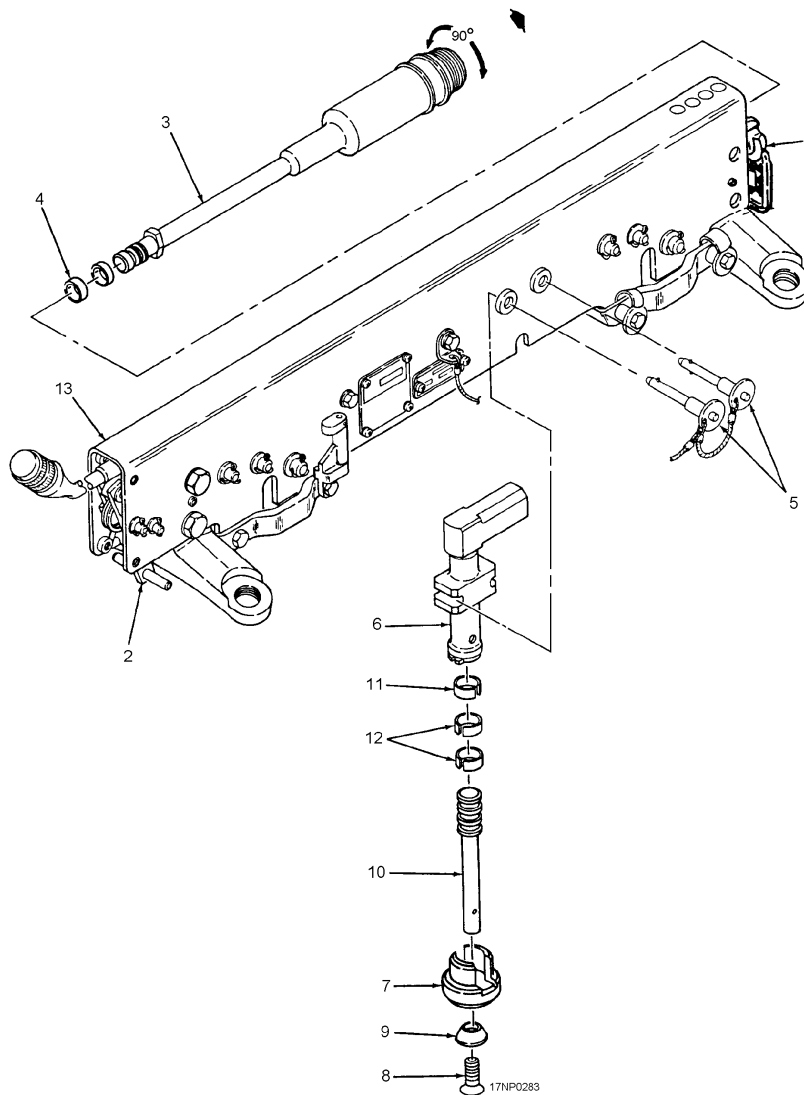


Figure 10-10.—IMER/ITER ejector unit locations.



- |                                   |                 |                          |
|-----------------------------------|-----------------|--------------------------|
| 1. Safety stop lever              | 6. Gun assembly | 11. Bearing ring         |
| 2. Manual release lever           | 7. Retainer     | 12. Pressure ring (2)    |
| 3. Breech                         | 8. Bolt         | 13. Ejector unit housing |
| 4. Pressure ring (2)              | 9. Washer       |                          |
| 5. Gun retaining pin assembly (2) | 10. Piston      |                          |

Figure 10-11.—IMER/ITER ejector unit.

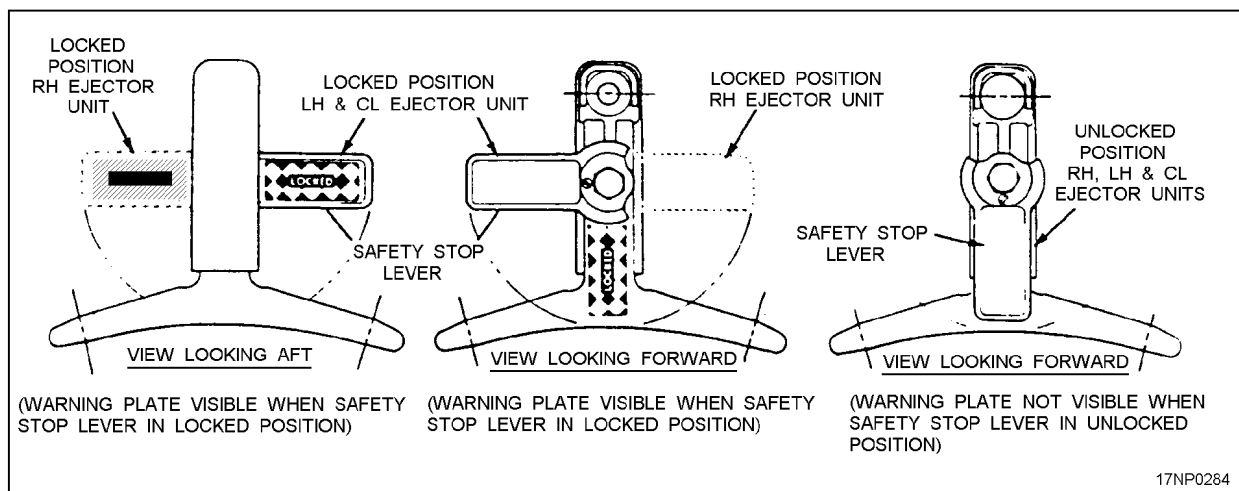


Figure 10-12.—Ejector unit safety stop lever.

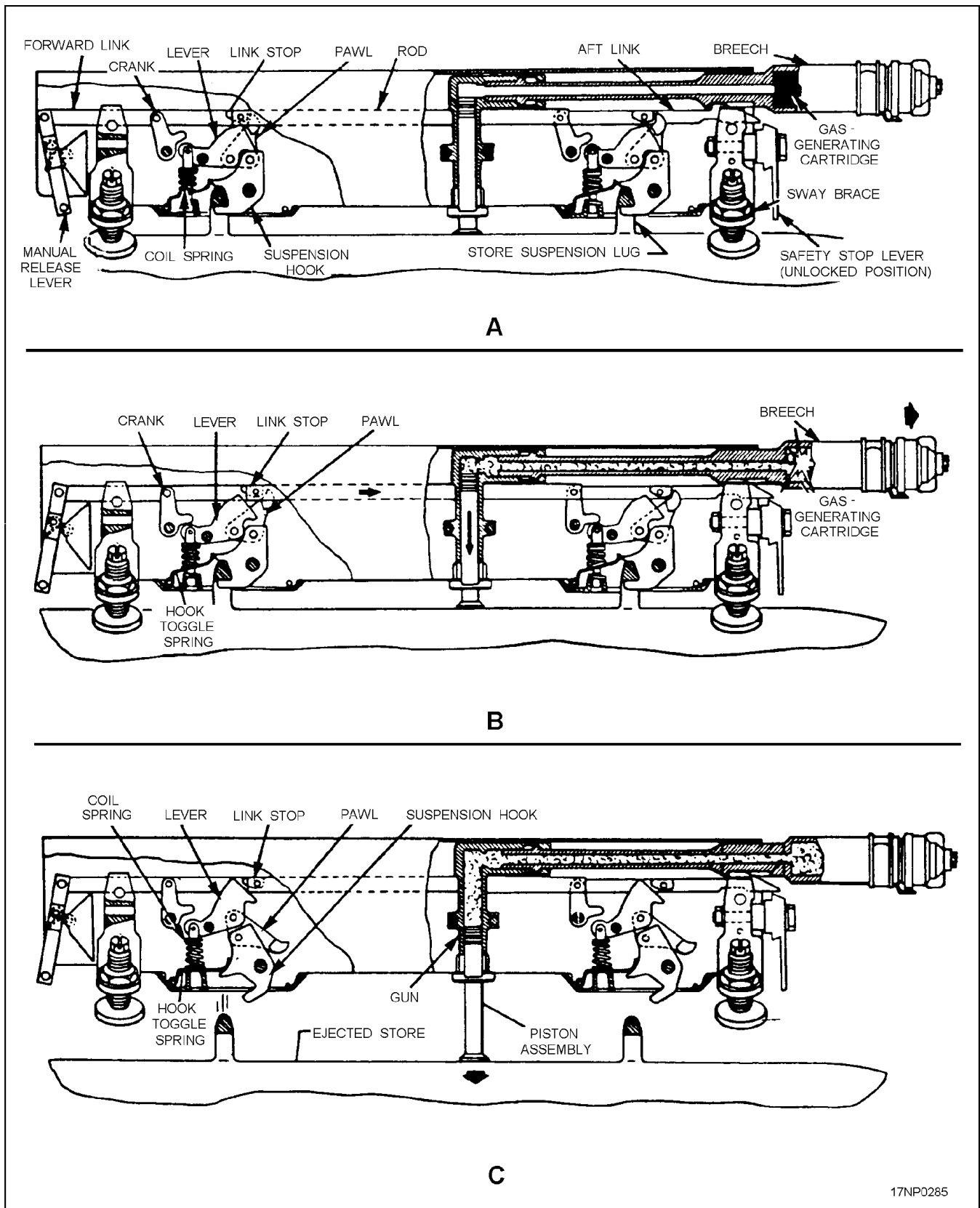


Figure 10-13.—Ejector unit operation.



Gas pressure from the cartridge acting against the gun piston, plus the weight of the store, forces the unlocked suspension hooks to open, releasing the store. The hooks are held in the open position by the hook toggle spring and coil spring. The gun piston continues to act against the store to provide positive separation from the ejector unit (fig. 10-13, view C).

**IMER/ITER ELECTRICAL OPERATION.—**

Before discussing the electrical operation of the IMER/ITER, you must understand the function of several electrical components. These components are briefly discussed in the following paragraphs.

IMER and ITER ejector units are numbered according to their firing sequence (fig. 10-14). For the purpose of discussion, assume that an IMER has stores loaded on stations 1, 2, 4, and 6, and that the release mode selector is set for single release.

When the pilot depresses the cockpit bomb button, a firing pulse is routed from the aircraft through the rack safety switch and the release mode selector switch to energize the necessary rack circuits. With a weapon loaded on station 1, the forward suspension hook is in the closed position, automatically closing the stores sensing switch. The firing voltage is then routed to the firing circuit, firing the cartridge and ejecting the weapon. Ejection of the stores from all remaining loaded stations will occur in sequence each time the pilot presses and releases the bomb button. In this particular load, stations 3 and 5 were not loaded; therefore, make sure the forward hooks are left open. If they are closed, the stores sensing switch signals the rack that a weapon is loaded on that station and will not automatically step to the next station.

**Hardware Adapter Kits**

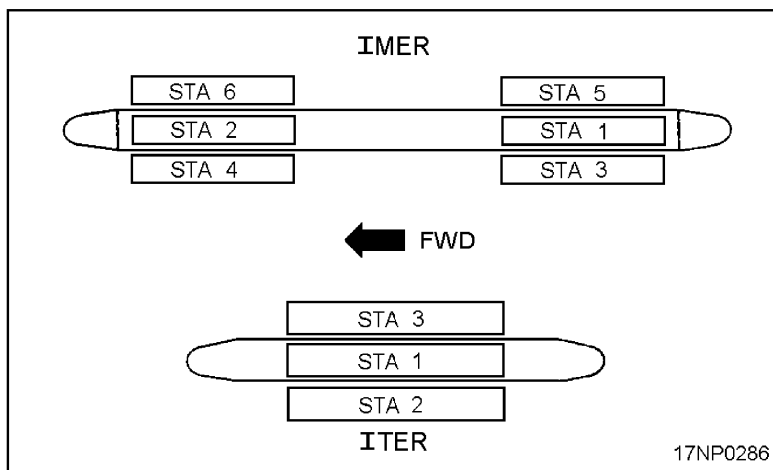
Hardware adapter kits are used to adapt the IMER/ITER to various aircraft. The kits include electrical harness assemblies, suspension lugs, sway brace pads and extensions, and attaching hardware required to configure the racks for a desired pylon station on a particular aircraft. Additionally, practice bomb adapters are used to adapt the IMER and ITER for the attachment of practice bombs or externally carried LUU-2B/B aircraft parachute flares and Mk 58 marine location markers. The adapter (fig. 10-15) is composed of three separate components—a bracket, an ejector foot lock, and a hook actuation spring.

Both the hardware adapter kit and practice bomb adapter is considered to be organizational-level equipment, and are to be maintained in the custody of the organizational unit.

For further information concerning the Improved Multiple Ejector Rack (IMER) and Improved Triple Ejector Rack (ITER), refer to the publication NAVAIR 11-5-603.

**REVIEW NUMBER 3**

- Q1. *The BRU-32/A bomb ejector rack is installed on the \_\_\_\_\_ aircraft.*
- Q2. *What is the maximum capacity of the BRU-33/A bomb ejector rack?*
- Q3. *How many individual ejector units can you attach to the adapter assembly of the ITER?*
- Q4. *How are IMER and ITER ejector units numbered?*



**Figure 10-14.—IMER/ITER firing sequence.**

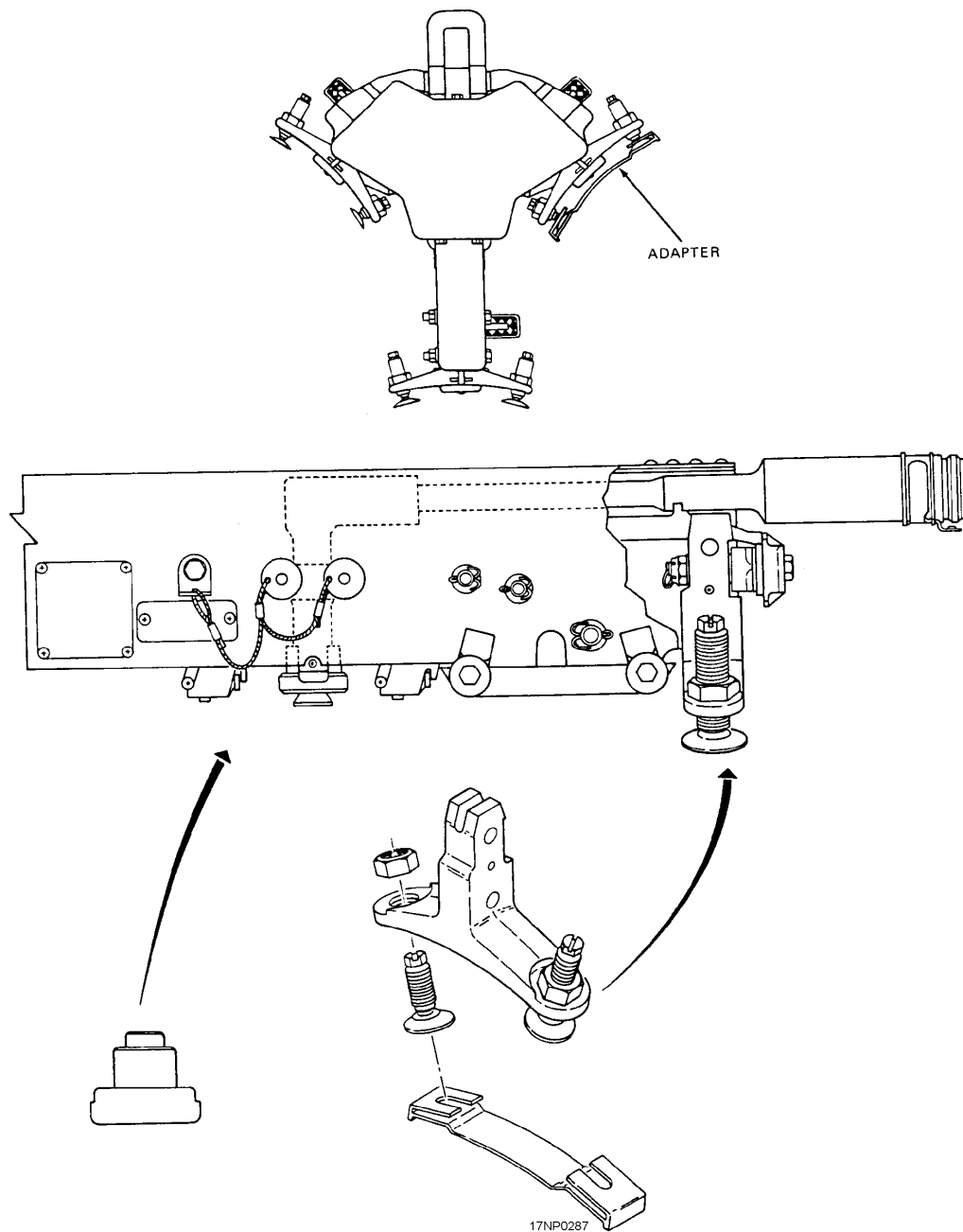


Figure 10-15.—Practice bomb adapter kit.

- Q5. What is the purpose of the stores sensing switch located on the forward hook of each station?
- Q6. At what level is the custody of the IMER/ITER hardware kit and practice bomb adapter kits maintained?

capabilities to the aircraft. These units are usually detachable. They are suspended from other installed suspension equipment, or they are mounted directly to the aircraft. They are used to suspend and release ordnance items, such as aircraft parachute flares and sonobuoys. In this section of the TRAMAN, you will learn about the basic characteristics of dispensers and ejectors currently in use.

### DISPENSERS AND EJECTORS

LEARNING OBJECTIVE: *Identify the purpose and use of dispensers and ejectors.*

Dispensers and ejectors are used during tactical situations to provide additional offensive and defensive

### REVIEW NUMBER 3 ANSWERS

- A1. The BRU-32/A bomb ejector rack is installed on the F/A-18 aircraft.

- A2. *The maximum capacity of the BRU-33/A bomb ejector rack is 2,000 pounds.*
- A3. *You can attach three individual ejector units to the adapter assembly of the ITER.*
- A4. *The IMER and ITER ejector units are numbered according to the firing sequence.*
- A5. *The stores sensing switch, located on the forward hook of each station, signals the rack whether a weapon is loaded on a particular station or not. If the forward hook is closed, the switch signals the rack that the station is loaded, and will not automatically step to the next station.*
- A6. *Custody of the IMER/ITER hardware kit and practice bomb adapter kits is maintained at the organizational level.*

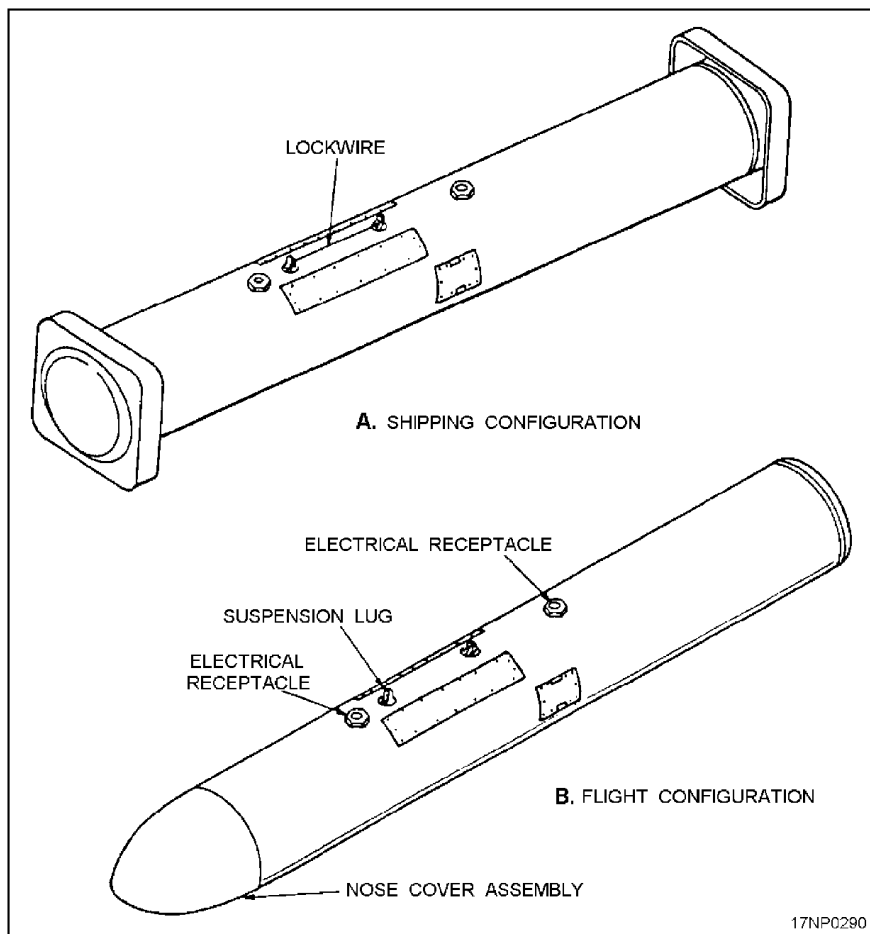
**SUU-25F/A DISPENSER**

The SUU-25F/A dispenser (fig. 10-16) is an airborne, externally mounted, reusable four-tube, rearward ejecting-launching device. The dispenser may be loaded on any aircraft weapons station that has a

14-inch suspension and is authorized to carry the SUU-25F/A dispenser.

The SUU-25F/A has a cylindrically shaped, all-metal body. It has four aluminum tubes that will hold either eight LUU-2B/B aircraft parachute flares. The tubes are 5 inches in diameter, clustered together inside an outer skin. There is an aluminum die-cast bulkhead at each end. When empty, the dispenser weighs 260 pounds. When loaded with eight LUU-2B/B flares, it weighs 490 pounds.

The shipping and flight configuration of the dispenser is shown in figure 10-16. The shipping configuration (view A) has shock pan assemblies at either end of the dispenser so it is easier to handle during shipment and storage. A lock wire is attached to the two suspension lugs to prevent them from becoming lost during shipment or storage. Both the lock wire and shock pan assemblies must be removed before the dispenser is used. When the dispenser is configured for flight (view B), a phenolic or metal cover (nose cone) is mounted on the forward flange. Covers are not shipped with the dispenser; they are ordered as separate components.



**Figure 10-16.—SUU-25F/A dispenser.**

As you read the following section on the SUU-25F/A dispenser, look at figure 10-17 for the location and identification of the components.

The breech, breech cap, breech lead, downloading breech, downloading breech cap, the manifold, and the stepper switch are located on the forward bulkhead.

### Breech, Breech Cap, and Breech Lead

There are two breeches, two breech caps, and two breech leads for each tube of the dispenser. The breech

is screwed into the bulkhead so a CUU-44 impulse cartridge can be installed. The breech cap, containing the firing pin, screws onto the breech. The breech lead connects to the breech cap and provides a path for the 28-volt dc required firing the impulse cartridge.

### Downloading Breech and Downloading Breech Cap

There is one downloading breech and a downloading breech cap for each tube of the dispenser.

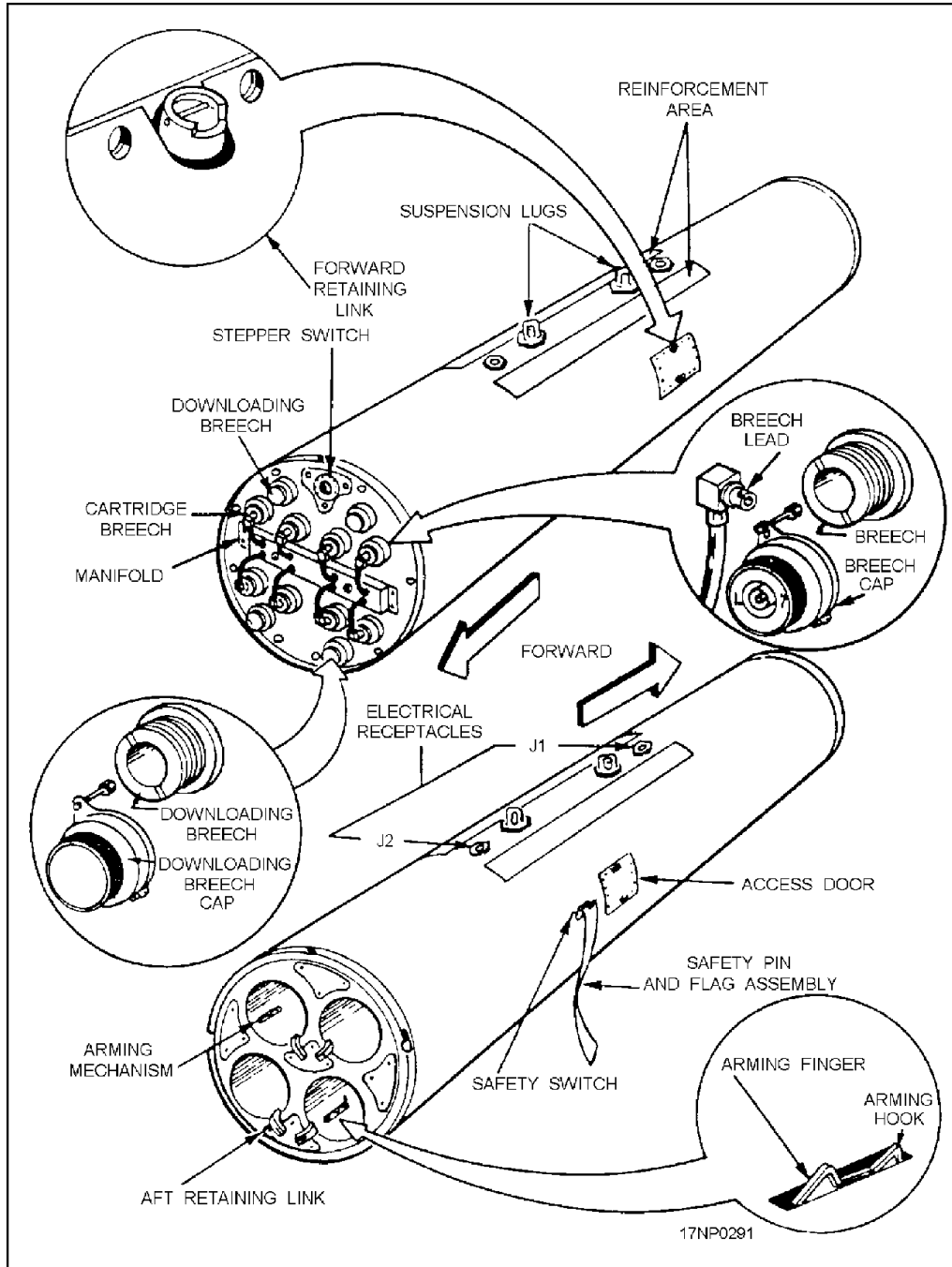


Figure 10-17.—SUU-25F/A dispenser, exploded view.

The downloading breech mounts to the bulkhead. The downloading breech cap screws onto the downloading breech. With the downloading breech cap removed, the downloading breech lets you insert the loading, unloading, cleaning, push rod tool so the stores can be easily removed during downloading procedures. It also prevents air pressure buildup in the tubes when uploading stores. Reinstall the downloading breech caps after the loading or unloading procedures have been completed.

### **Manifold**

The manifold has eight manifold breech lead receptacles for connection of the breech leads. It also has two test socket assemblies you can use during dispenser electrical test procedures.

### **Stepper Switch**

The stepper switch provides sequential firing of the impulse cartridges. The switch has 10 functional settings—one safe setting, one arm setting, and eight firing steps. Always place the stepper switch in the safe position during dispenser loading and unloading. Move the switch to the arm position during aircraft arming procedures just before flight.

### **Forward and Aft Retaining Lock**

Each of the four dispenser tubes contains a forward retaining lock, an aft retaining lock, and an arming mechanism.

The forward and aft retaining locks, when in the locked position, protrude into the dispenser tube. This prevents loaded stores from being inadvertently ejected by the forces during aircraft catapult launches.

The forward retaining lock is located between the dispenser outer skin and the tube near the midpoint of the dispenser. You can move the retainer lock from the either the locked or unlocked position through an access door located on either side of the dispenser. Before loading a store, rotate the retaining lock to the unlocked position. This pivots the retainer lock out of the tube. After the store has been loaded, rotate the retaining lock to the locked position, and secure it by installing a shear pin. The forward retaining lock retains the forward-loaded store only.

The aft retaining lock is attached to the aft bulkhead and retains the aft loaded store. It is also secured in the locked position by installing a shear pin.

### **Arming Mechanism**

The arming mechanism is located in the aft end of the dispenser tube. The arming mechanism initiates the arming sequence of a store as it is ejected from the tube.

The dispenser is suspended by two screw-type lugs spaced 14 inches apart. The area around the suspension lugs has a hardback reinforcement to permit sway bracing and forced ejection of the dispenser.

Two electrical receptacles, V1 and V2, are located forward and aft of the suspension lugs, respectively. Both receptacles give you a way to electrically connect the dispenser to the aircraft weapons control system. **Only one receptacle is used at a time.** The electrical configuration of the rack determines the receptacle you will use.

An electrical wiring harness is routed internally from electrical connectors V1 and V2 to the stepper switch. A safety switch that is normally in the closed position interrupts the wiring harness. When the safety pin and flag assembly is inserted, the safety switch is held in the open position and the electrical circuits are grounded, making the dispenser electrically safe.

### **Functional Description**

When you load a dispenser tube with munitions, each pair of flares are configured with an ADU-381/A flare adapter kit.

A yellow-colored sealing ring is pressed on each end of the munition as a seal between the munition and the tube body. This prevents gas pressure from escaping during ejection. A green-colored arming cap is installed on the timer end of a flare or on the rotochute end of a sonobuoy. The green arming cap lanyard is connected to the timer knob of the flare, and then pressed on over the flange of the sealing ring. Mount a white cross-shaped plastic spacer on the aft sealing ring of the forward munition. This provides enough space between the forward and aft munition to provide an expansion chamber for ejecting the aft munition.

After you have installed the adapter, install the munitions in the dispenser tube.

When an SUU-25F/A dispenser is fully loaded and uploaded on the aircraft, the pilot may eject flares. The pilot must first select the weapons control system, and then trigger the dispensing switch. A 28-volt dc electrical signal passes through an electrical cable from the aircraft to either receptacle J1 or J2 of the dispenser. The signal is routed from the dispenser receptacle to the

stepper switch, causing the stepper switch to step from the preset ARM position to the No. 1 position. This fires the No. 1 impulse cartridge. The gas pressure, generated by the fired cartridge, is ported through a gas tube, internally along the side of the dispenser, into the aft expansion chamber ahead of the aft flare.

As the gas pressure increases, the aft retaining lock shear pin is cut, allowing the aft flare to eject. As the timer end of the flare approaches the rear of the tube, the arming finger of the arming mechanism engages the yellow sealing ring. The sealing ring cams the arming finger down, which, in turn, cams the arming hook up to engage the green arming cap. This action allows the flare to extend the lanyard. The lanyard extracts the timer knob and arms or starts the flare functioning sequence.

When the pilot triggers the system again, the stepper switch steps to the No. 2 position and fires the cartridge. This meters the gas pressure directly into the forward expansion chamber. As the gas pressure increases, the forward retaining lock shear pin is cut. This allows the forward flare to be dispensed in the same manner as the aft flare. If the aft flare failed to eject, the gas pressure generated for ejecting the forward flare produces sufficient gas pressure to purge both flares out of the tube.

The procedure for the remaining three tubes is the same. The firing sequence of the breeches is stamped into the metal of the breech caps, as shown in figure 10-18.

### Maintenance Requirements

Organizational-level maintenance is limited to a visual inspection of the dispenser. You need to look for damage, such as cracks or breaks in the aft retaining locks or suspension lugs, unburned pellets or obstructers in the breech sleeve, and frayed or broken breech leads.

For further information concerning the SUU-25F/A dispenser, you should refer to *Dispenser SUU-25F/A*, NAVAIR 11-75AA-48.

### REVIEW NUMBER 4

- Q1. What impulse cartridge is installed in the SUU-25F/A to launch flares?
- Q2. What voltage fires the impulse cartridge?

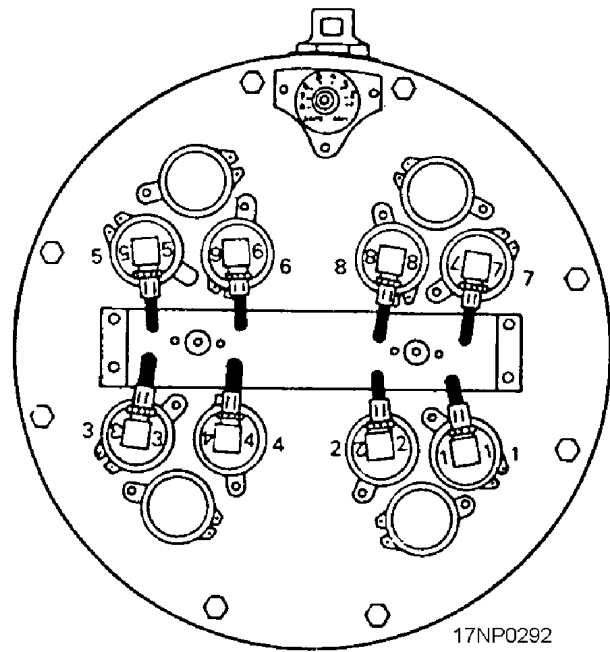


Figure 10-18.—Breech cap identification numbers.

- Q3. When performing organizational-level maintenance on the SUU-25F/A, you should look for what types of damage?

### AN/ALE-29A COUNTERMEASURES CHAFF DISPENSING SET

The AN/ALE-29A countermeasure chaff dispensing set, known as the *chaff dispenser*, is an electronic countermeasure device. It may be installed in almost all Navy combat aircraft. The chaff dispensing set includes two dispenser assemblies, two dispenser housings, two sequencer switches, and a programmer. The cartridge in the chaff dispenser can eject various load configurations of Mk 46 or MJU-8/B decoy flares and RR-129 or RR-144 chaff.

Decoy flares are used during evasive maneuvers against heat-seeking missiles. Chaff rounds consist of fine-shredded metal strips contained in a cylindrical metal container. When ejected from the chaff dispenser, the metal strips are forced from the cylindrical container and dispersed into the atmosphere. This *jams* ground controlled radar installation or radar-controlled missiles.

## Dispenser Assemblies

The dispenser assembly (fig. 10-19) contains two major subassemblies—a glass-reinforced phenolic plastic block and a printed circuit board. The block has 30 holes so you can load the payload units. There are four quick-release, positive-lock studs so you can secure the block in the dispenser housing, and two telescoping handles to make it easier to handle.

The printed circuit board contains the circuitry and jacks so you can install 30 electrically initiated Mk 131 or CCU-63/B impulse cartridges. You must also install a connector to act as an interface between the dispenser assembly and the dispenser housing.

You load the dispenser by putting the 30 payload units (in plastic sleeves with plastic cartridge retainers

installed) into the block. Install an impulse cartridge in each of the 30 jacks on the printed circuit board. Then, attach the board to the block by two captive screws.

**NOTE:** Installation of the impulse cartridges must be accomplished in a designated RF (radio frequency) free area.

Finally, install the loaded dispenser assembly in the dispenser housing. You need to secure it with the four positive-lock studs of the dispenser block. The payload units are forced from the plastic sleeves by the gas pressure generated when the impulse cartridges are fired. The chaff sleeve extractor, shown in figure 10-19, is used during dispenser download procedures.

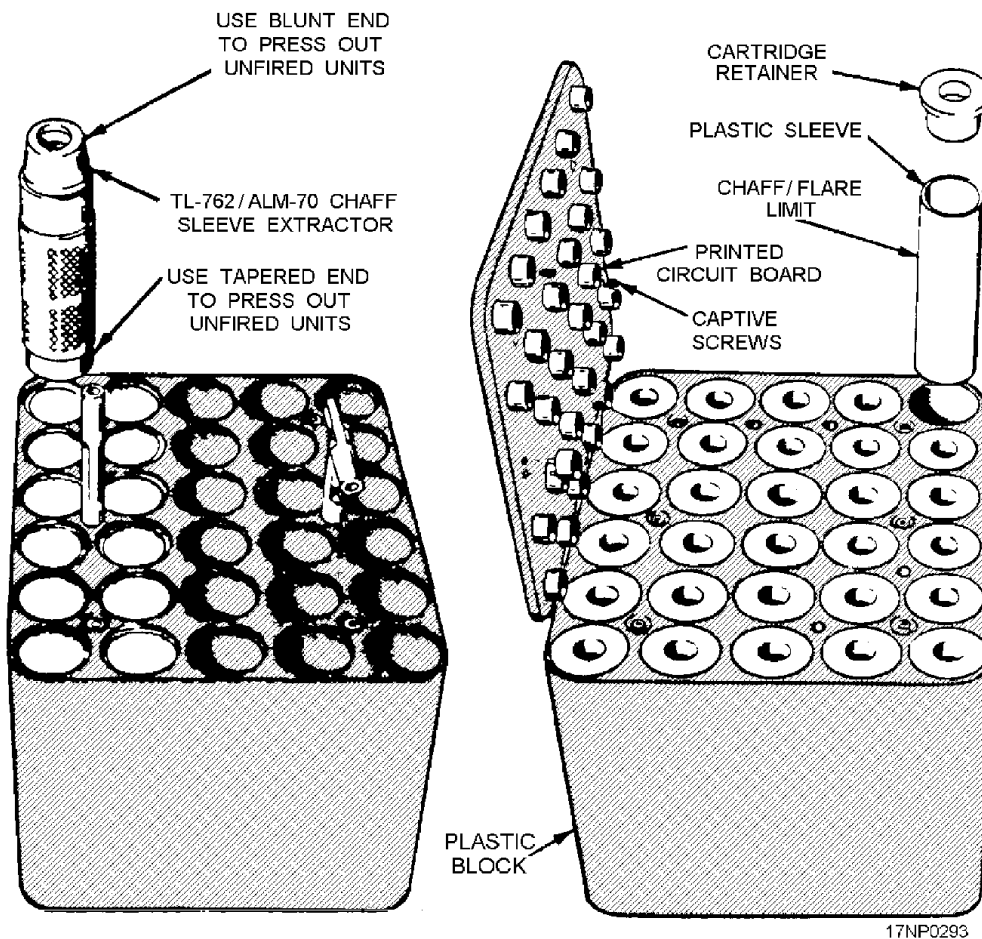


Figure 10-19.—AN/ALE-29A countermeasures chaff dispensing set.

## Dispenser Housings

There are two different housing configurations available, as shown in figure 10-20. You can identify the housings by the mounting flange configuration, number and arrangement of mounting fasteners, location of the sequence switch, and the cable arrangement. These configurations are supplied so aircraft manufacturers have flexibility in mounting locations.

You **don't** remove the housing assemblies from the aircraft when loading. You **do** remove the dispenser assembly from the housing assembly by unlocking the four positive-lock studs. Move the dispenser assembly to a designated area and load it. Then, return it to the aircraft and reinstall it in the dispenser housing. Safety switches, installed in the aircraft near the dispenser housings, make the dispenser's assemblies electrically safe when the safety pin or flag assemblies are installed. When the dispensers are loaded, the safety pin or flag assemblies must remain installed until just before flight.

The rear of the housing assembly has a dispenser interconnect that electrically connects the dispenser

assembly to the system. When you are installing the dispenser assembly into the housing assembly, you should use a guide pin to ensure proper alignment of the electrical connectors.

## REVIEW NUMBER 4 ANSWERS

- A1. *The CUU-44 impulse cartridge is used to fire flares from the SUU-25F/A.*
- A2. *28 volts of dc fire the impulse cartridge.*
- A3. *When performing organizational-level maintenance on the SUU-25F/A, you should look for cracks or breaks in the aft retaining locks or suspension lugs, unburned pellets or obstructers in the breech sleeve, or frayed or broken breech leads.*

## Sequencer Switch

Two sequencer switches (fig. 10-21) are used in a system—one for the right- and left-dispenser assemblies. The sequencer switch is a solenoid-actuated, multideck, rotary stepping switch contained in a hermetically sealed case.

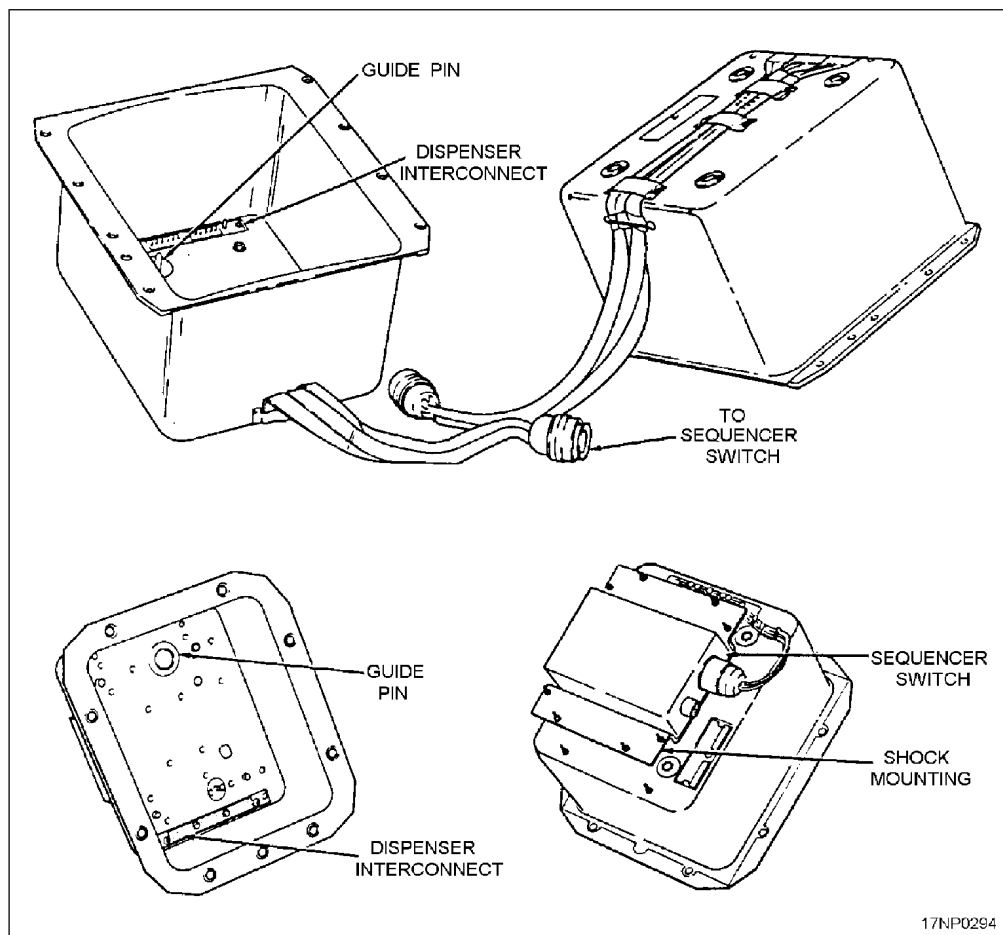


Figure 10-20.—Dispenser housings.



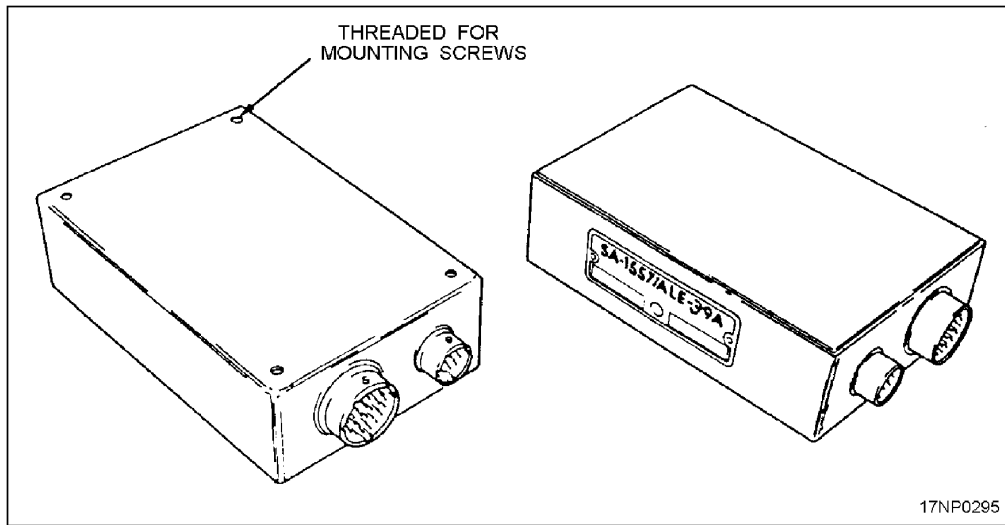


Figure 10-21.—Sequencer switch.

The sequencer switch is actuated by control signals received from the programmer. Each control signal from the programmer actuates a relay in the sequencer switch, which applies 28-volt dc to the rotary switch. As the rotary steps, a firing pulse is supplied directly from the aircraft's 28-volt dc power supply. This firing pulse is directed to the applicable impulse cartridge in the dispenser assembly.

Dispensing starts with the selection of one or both dispensers (right or left) from the cockpit and the initiation of the dispensing switch. When only one dispenser has been selected and is emptied, the

programmer control pulses are automatically transferred to the second sequencer switch. When both dispensers are selected by the cockpit control, simultaneous signals are directed to both sequencer switches. The sequencer switches are connected to the dispenser housing by an electrical cable supplied as part of the dispenser housing.

### Dispensing Set Programmer

The dispensing set programmer (fig. 10-22) provides electronic control of the dispensing modes. The AN/ALE-39A programmer generates control

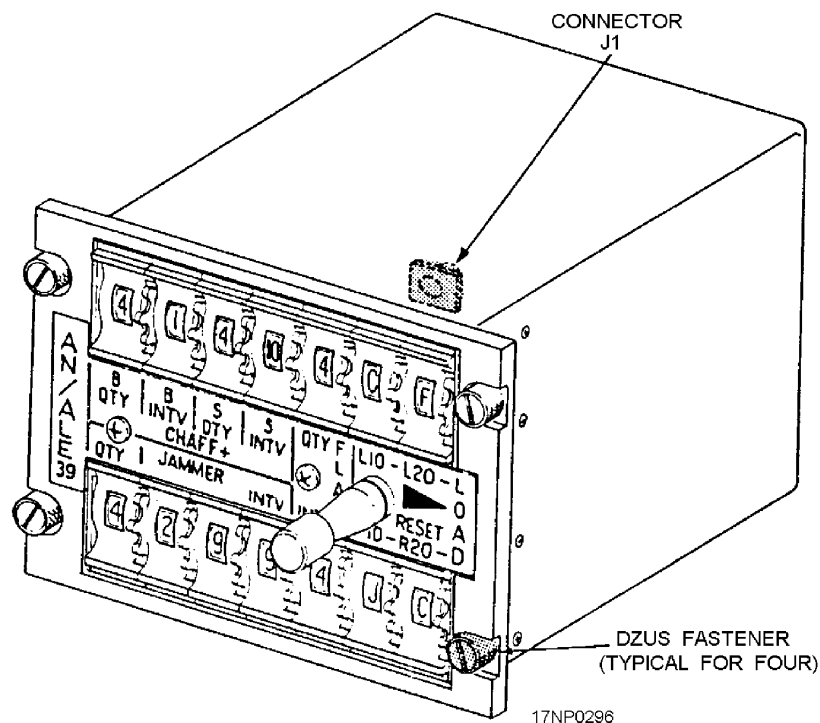


Figure 10-22.—Dispensing set programmer.

signals for the programmed payload ejection sequences. It also generates control signals for single ejection of payloads initiated manually. Manual (single) dispensing is performed during a programmed dispensing sequence without disrupting the program.

### **AN/ALE-37A COUNTERMEASURES CHAFF DISPENSING SET**

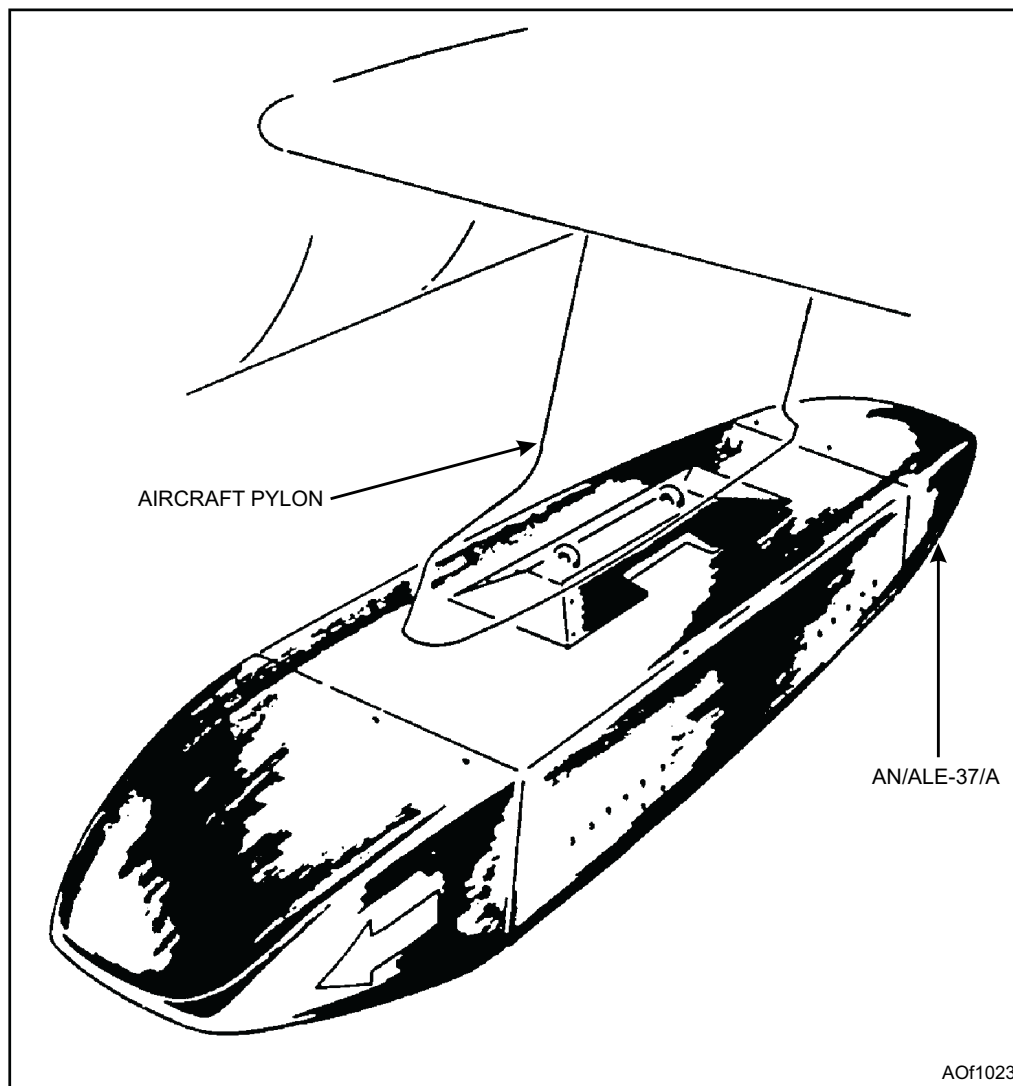
The AN/ALE-37A countermeasure chaff dispensing set (fig. 10-23) is externally mounted on aircraft IMER/ITER ejector racks that have 14-inch suspensions. When mounted on the aircraft, the AN/ALE-37A has various patterns of chaff, decoy flares, or expendable jammers. Dispensing is dependent upon control settings and aircraft speed. Several dispensing pods may be employed on a single

aircraft to provide maximum countermeasure capabilities.

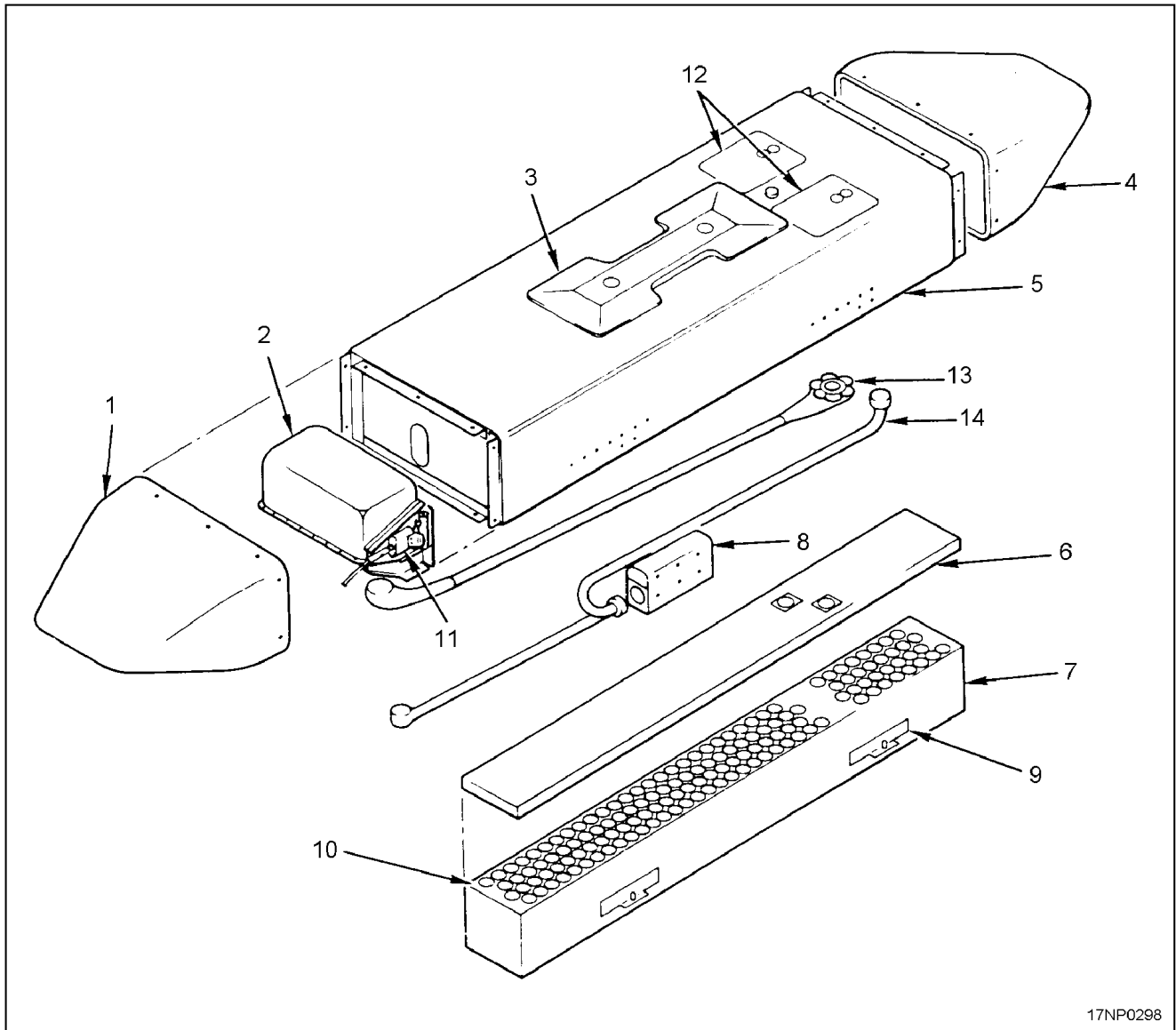
The dispensing set is of modular construction, making maintenance easier and reducing turnaround time. Each dispensing pod contains two lightweight payload modules. Each payload module has a capacity of 120 rounds, providing a total capacity of 240 rounds. When empty, the pod weighs 180 pounds. When fully loaded, the pod weighs approximately 277 pounds.

### **Component Description**

The functional theory and a physical description of individual dispensing set components are discussed in the following paragraphs. As you read about the components, look at figure 10-24. It shows their location and identifies them by item number.



**Figure 10-23.—AN/ALE-37A countermeasures chaff dispensing set.**



17NP0298

- |                   |                      |                               |
|-------------------|----------------------|-------------------------------|
| 1. Nose cone      | 6. Squib board       | 11. Lanyard disconnect switch |
| 2. Intervalometer | 7. Chaff module      | 12. Access plate              |
| 3. Hardback       | 8. Control indicator | 13. Squib board harness       |
| 4. Tail cone      | 9. Module latch      | 14. Power wiring              |
| 5. Module cavity  | 10. Chaff tube       |                               |

Figure 10-24.—AN/ALE-37A countermeasures dispensing set, exploded view.

### Chaff Dispensing Pod

The chaff dispensing pod is constructed of heat-treated aluminum alloy formed sheet metal, extruded shapes, and machined parts. The pod is designed for quick reloading by using the spare loaded modules with squib boards installed. The pod hardback (item 3) has a rigid surface for mounting the pod to the bomb rack. The nose cone (item 1) houses the

intervalometer, interlock switch, and provides aerodynamics to the pod. The tail cone (item 4) is identical to the nose cone, except it has extra markings and a hole for the insertion of a lanyard pin. An electrical connector at the aft end of the pod is used to interface with the aircraft's 28-volt dc power supply for pod operation. Power is routed internally, through the electrical wiring (item 14), from the connector to the intervalometer (item 2).

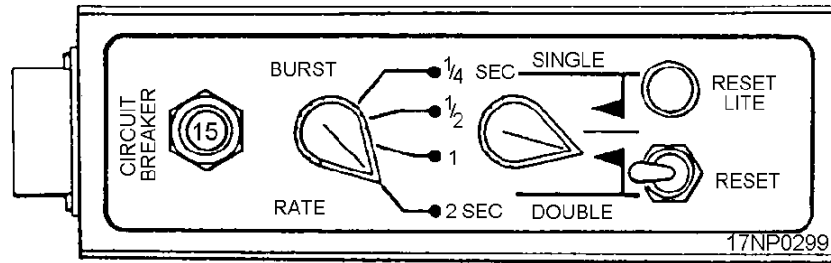


Figure 10-25.—Pod control indicator.

### Chaff Module

You load the chaff module (item 7) with chaff, decoy flares, jammers, or a mixture of these payloads and a squib board (item 6). Then, insert it into the module cavity (item 5). Secure the chaff module in the cavity by locking the four positive locking latches (item 9). The 120 chaff tubes (item 10) contain the payloads. Each pod houses two separate modules.

### Squib Board

The squib board (item 6) has four layers fastened and bonded together. The top layer is a thin sheet metal cover. The second layer is composed of edge spacers to provide a wire cavity for squib circuits. The remaining layers are composed of electrical insulating and fire-retardant materials. Two 61-pin electrical connectors connect the squib board harness (item 13) to the intervalometer circuitry. Place the squib board, with 120 Mk 131 or CCU-63/B impulse cartridges inserted, on top of the chaff module and secure it with eight captive attachment screws.

### Intervalometer

The intervalometer (item 2) is used to control the burst rate. The intervalometer circuitry responds to the settings on the pod control indicator or the cockpit

control indicator. The intervalometer contains a solid-state component electronic timing pulsar to switch the two automatic stepping switches. The stepping switches will operate individually for singles firing or in parallel for doubles firing.

### Lanyard Disconnect Switch

The lanyard disconnect switch (item 11) is the main safety feature preventing cartridge detonation during chaff loading and ground maintenance. The switch is normally in the closed position. It is deactivated (opened) by inserting the lanyard pin in the switch socket. With the pin inserted, the lanyard disconnect switch opens the intervalometer circuitry and removes the electrical path to the squib board circuits.

### Access Plates

The two access plates (item 12) provide access to the pod electrical connectors.

### Pod Control Indicator

The pod control indicator (fig. 10-25) is located on the bottom center of the pod. It provides a means of selecting the burst rate and firing sequence. The controls are preset before flight to meet expected mission requirements. Table 10-1 lists the eight

Table 10-1.—Firing Time and Sequence

SINGLE-DOUBLE POSITION	BURST RATE POSITION	TOTAL TIME TO EMPTY
SINGLE	1/4 SEC (0.25 Sec)	1 minute
SINGLE	1/2 SEC (0.5 Sec)	2 minutes
SINGLE	1 SEC	4 minutes
SINGLE	2 SEC	8 minutes
DOUBLE	1/4 SEC (0.25 Sec)	30 seconds
DOUBLE	1/2 SEC (0.5 Sec)	1 minute
DOUBLE	1 SEC	2 minutes
DOUBLE	2 SEC	4 minutes

combinations of firing that can be obtained by positioning of the two rotary selector switches (BURST RATE and SINGLE/DOUBLE) on the pod control indicator. There is also a reset switch and reset light indicator on the pod control indicator so the intervalometer can be recycled to the starting position.

### Cockpit Control Indicator

The cockpit control indicator (fig. 10-26) is an optional feature of the dispensing set. The controls on the cockpit control indicator override those on the pod control indicator, letting the operator select the burst rate and dispensing pattern after the aircraft is airborne.

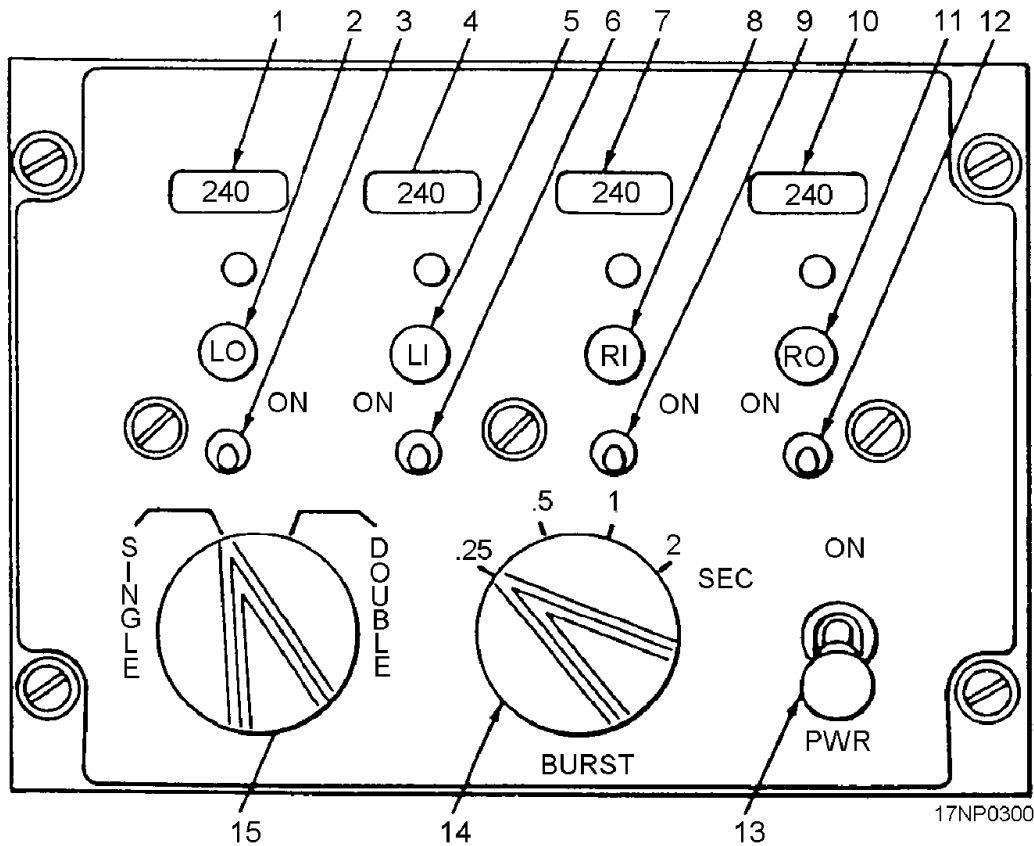
In addition to the burst rate and single or double rotary switches, the cockpit control indicator has four pod select switches, a power ON switch, and four chaff

remaining counters. This gives the pilot individual or simultaneous control of four separate dispensing sets while airborne. The cockpit control indicator has no reset feature. When the aircraft doesn't use the cockpit control indicator, any 28-volt dc power source having a cockpit control switch may be used for operation. When the system is used, the burst rate and dispensing pattern are controlled by the preset controls on the pod control indicator.

For further information on the AN/ALE-37A chaff dispensing set, you should refer to *Countermeasures Chaff Dispensing Set, AN/ALE-37A*, NAVAIR 16-30ALE37-1.

### REVIEW NUMBER 5

Q1. What chaff dispenser is installed in Navy combat aircraft?



- |   |   |
|---|---|
| 1. Left outboard counter                | 9. Right inboard pod activate switch      |
| 2. Left outboard pod activate indicator | 10. Right outboard counter                |
| 3. Left outboard pod activate switch    | 11. Right outboard pod activate indicator |
| 4. Left inboard counter                 | 12. Right outboard pod activate switch    |
| 5. Left inboard pod activate indicator  | 13. Power switch                          |
| 6. Left inboard pod activate switch     | 14. Burst rate selector switch            |
| 7. Right inboard counter                | 15. Single double selector switch         |
| 8. Right inboard pod activate indicator |   |

Figure 10-26.—Cockpit control indicator.

- Q2. List the two major subassemblies of the AN/ALE-29A countermeasure chaff dispensing set.
- Q3. What is the maximum capacity of the AN/ALE-29A?
- Q4. When the AN/ALE-37A is fully loaded, what is its weight?
- Q5. The AN/ALE-37A chaff dispenser contains \_\_\_\_\_ modules.
- Q6. There are \_\_\_\_\_ chaff tubes contained in an AN/ALE-37A chaff module.

### SAFETY PRECAUTIONS

LEARNING OBJECTIVE: *Recognize safety precautions to follow when handling suspension, arming, and releasing equipment.*

As an AO, you need to be concerned with safety when working with suspension, arming, and releasing systems. It is doubtful there is a petty officer in the Navy who has not witnessed a minor mishap with suspension, arming, and releasing equipment. Accidents can be prevented if safety precautions and maintenance instructions are followed. Accidents can be prevented if personnel are trained and educated to work on the equipment. As a petty officer, it is part of your job to follow safety precautions and maintenance instructions and train new personnel. A few safety precautions that you need to follow, and train your subordinates to follow, are shown below.

- Keep all components of the various systems clean, well adjusted, and lubricated as prescribed.
- Make operational checks or periodic inspections of the system under the direct supervision of fully qualified personnel.
- **Never** insert your fingers or tools into a rack when the rack is cocked.
- Check wiring and electrical fittings regularly. Replace frayed or broken wiring. Check plugs for condition and proper installation.
- **Never** bypass safety circuits or devices or make them inoperative.
- **Don't** use any safety pin other than the prescribed one.

- When stores are loaded, install safety pins or other safety devices as prescribed while the aircraft is on the ground.
- **Never** install or arm an ejector rack unless the safety pin(s) and flag(s) are in place.
- **Don't** use an ohmmeter to check electrical continuity of an electrically primed cartridge.
- Remove or electrically disconnect all cartridges from the rack firing circuits before removing any component.
- Install only the prescribed cartridges in ejector devices.
- **Never** allow a dual breech ejector unit to be fired without two cartridges or a cartridge and authorized filler plug in the breeches.
- **Never** allow an ejector unit to be fired without a store latched in place.
- When loading stores, inspect all handling gear carefully. **Don't** use doubtful gear.
- When loading stores, make sure that the store is in position and the rack is securely locked before removing hoists.
- **Don't** place any part of your body under stores being loaded or unloaded if it is possible to accomplish the job without doing so.
- When installing suspension equipment, torque all installation bolts or screws to the prescribed torque value.
- Make sure quality assurance personnel familiar with the system inspect all final work performed on the armament system. Operational tests should be made on repaired systems where necessary.

### REVIEW NUMBER 5 ANSWERS

- A1. *The AN/ALE-29A chaff dispenser is installed in Navy combat aircraft?*
- A2. *The two major subassemblies of the AN/ALE-29A countermeasure chaff dispensing set are the glass-reinforced phenolic plastic block and a sandwich-type printed circuit board.*

A3. *The maximum capacity of the AN/ALE-29A is 30 payload units.*

A4. *When the AN/ALE-37A is fully loaded, it weighs 277 pounds.*

A5. *The AN/ALE-37A chaff dispenser contains two modules.*

A6. *There are 120 chaff tubes contained in each module of the AN/ALE-37A.*





## CHAPTER 11

# AMMUNITION STORAGE AND HANDLING AFLOAT

The ammunition used by the U.S. Navy must be maintained in a state of readiness at all times. Improper, rough, or careless handling, storage, and shipping can result in malfunctioning ammunition and material damage or loss of life.

### ORDNANCE CERTIFICATION

**LEARNING OBJECTIVE:** *Identify the purpose and use of the Explosives Handling Personnel Qualification and Certification Program, OPNAVINST 8023.2.*

The Explosives Handling Personnel Qualification and Certification Program (Qual/Cert) was established by the Chief of Naval Operations as a result of the catastrophic MK-24 parachute flare accident on USS ORISKANY in 1966 that led to significant loss of life and major ship damage. The Flag Board of Inquiry concluded the accident was attributed to a lack of training, direct supervision, and a method to determine personnel qualifications prior to being authorized to handle explosives. Qual/Cert, with proper oversight and management, can prevent similar accidents.

Although Qual/Cert has been in effect for over 30 years, improper handling, loading, processing or testing of explosive devices continues to result in death, injury and extensive high dollar damage to equipment. Research has shown personnel error due to inadequate training, lack of adequate supervision, lack of or inadequate Standard Operating Procedures (SOP), or just plain failure to follow the governing technical directives causes the majority of explosive mishaps.

Qual/Cert is intended to be the cornerstone for a ZERO DEFECT SAFETY PROGRAM. The Explosives Handling Personnel Qualification and Certification Program is governed by OPNAVINST 8023.2.

### DEFINITIONS

Before you read about ordnance certification, you need to know the terminology that will be used in this

discussion. The following definitions will help when working with the Qual/Cert program and completing the Ordnance Certification Format (fig. 11-1).

*Storage/Stowage.* Physical act of stowing explosive/explosive devices in designated and approved magazines and ready service lockers. Demonstrated knowledge of afloat/ashore storage/stowage requirements per applicable instructions/directives.

*Handling.* Physical act of transporting or moving explosives/explosive devices afloat or ashore, with powered equipment, with nonpowered equipment, or manually.

*Assembly/Disassembly.* Physical act of mating/demating component to/from an All Up Round (AUR) configuration. This work task code is used when assembly/disassembly is authorized in applicable Weapons Assembly Manuals (WAM).

*Load/Download.* Physical act of mating an AUR with the bomb rack/launcher from which delivery/initiation is authorized. Includes all operations incidental to aircraft loading/downloading included in those portions of the NAVAIR Conventional Weapons Loading Checklists, shipboard loading/downloading of CIWS, and NATO Sea Sparrow systems as listed in applicable MRC's. Includes functions such as the installation of mechanical bomb fuzes, arming wires, electrical/mechanical connections, installing bands on LUU-2 flares, MK-58 MLM's and rack/launcher cartridges.

*Arm/De-Arm.* Applies to those procedures contained in the arm/ dearm section of the applicable NAVAIR loading manuals/checklist and NAVSEA MRC's which places an explosive/explosive device or system in an armed or safe condition. This does not include the installation of CADS/PADS in seats to place them in an armed condition. Arm/dearm as it pertains to Aircraft Egress Systems is covered in install/remove.

ORDNANCE CERTIFICATION FORMAT (REVISED 01-00)			SAMPLE ONE		
CERTIFICATION LEVELS			WORK TASK CODES		
TM-TEAM MEMBER I -INDIVIDUAL TL-TEAM LEADER QA-QUALITY ASSURANCE SO-SAFETY OBSERVER			1. STOWAGE/STORAGE 2. HANDLING 3. ASSEMBLY/DISASSEMBLY 4. LOAD/DOWNLOAD 5. ARM/DEARM 6. INSTALL/REMOVE		
EXPLOSIVE/ EXPLOSIVE DEVICE	CERT LEVEL /WORK TASK	INDIVIDUAL	BOARD MEMBER	BOARD CHAIRMAN	VALIDATION DATE
Bombs	TL 1 2 3				
PGM	QA/SO 1 2 3				
Cluster Bombs	TL 1 2				
Mines	QA/SO 1 2 3		INITIAL		
Practice Bombs	QA 1 2 3				
Expendable Countermeasures	TL 1 2 3				
Pyrotechnics	QA 1 2				
Grenades	QA 1 2				
Rockets	QA 1 2 3				
Containerized Explosives	QA/SO 1 2				
CERTIFICATIONS ABOVE HAVE BEEN REVIEWED AND RECERTIFIED PER SIGNATURES AND DATES INDICATED BELOW, EFFECTIVE FOR 1 YEAR. NOTE: ITEMS NOT REQUIRED FOR RECERTIFICATION SHALL BE LINED OUT, INITIALED AND DATED BY THE BOARD CHAIRMAN.					
INDIVIDUAL BEING RECERTIFIED SIGNATURE		BOARD MEMBER SIGNATURE		BOARD CHAIRMAN SIGNATURE	
NAME: ORDIE, BYRAN			RANK/RATE: AO1		
COMMAND: USS IWANASAIL (CVN-91)					

AOH101

Figure 11-1.—Ordnance Certification Format.

*Install/Remove.* Physical act of installing/removing all items listed in the family group Aircraft Egress Systems and aircraft cable cutters, aircraft fire extinguisher cartridges and non aircraft support cartridges/cartridge actuated devices.

*Testing.* Physical act of conducting a test on components. Built-in-Test (BIT), programming, reprogramming, and presetting are including in this work task code.

*Explosive/Explosive Device.* Applicable explosive/explosive device for which the person is being certified. May be listed by family group or specific device.

*Individual Signature.* Signature of person being certified. Signing acknowledges certification level and work task code for the explosive/ explosive device/family. Therefore, a signature is required for each line entry. Collective signatures are not authorized.

*Certification Board Member Signature.* Signature of the certification Board Member who either actually observed or verified that another board member observed the individual being certified performing the task under consideration. A signature is required for each line entry. Collective signatures are not authorized.

*Board Chairman Signature.* Signature of the CO/OIC, cognizant department head, Ordnance Handling Officer (0110), Carrier Air Group (CAG) Gunner or Naval Airborne Weapons Maintenance Unit One (NAWMU-1) Executive Officer (designator 636X) designated to act as Board Chairman. Signature and date may be collective, if desired.

*Validation date.* Date certification is effective. Date may be collective. Date will be in day/month/year format.

*Recertification.* After review of OJT, lectures, other documented training, and physical exams, recertification may be accomplished using the space provided. Once the individual, the board member, and the board chairman sign and date the form, recertification shall be valid for 1 year (365 days). Line items not requiring recertification shall be deleted by making a single line through the entire line entry. The

Board Chairman shall initial and date the deletion on the right hand border.

*Corrections.* Corrections shall be made with a single line through the entire line entry. The board chairman shall initial the deletion line in the right hand border of each line deleted. At this point, initiate an entire new corrected line.

*Decertification.* The Qual/Cert form requires a diagonal line made in red ink, and signed and dated by the individual and the Board Chairman, for revocation of certification for cause.

*Delays.* Newly assigned personnel should be certified within three months (90 days) of the demonstrated proficiency dates.

*Family Groups.* Family Groups are explosives/explosive devices with similar characteristics.

*Certification Levels.* Only list the highest certification level applicable (i.e. QA entry automatically covers TL, I, TM; TL entry covers I, TM; I entry covers TM).

## **EXPLOSIVES HANDLING PERSONNEL QUALIFICATION AND CERTIFICATION PROGRAM**

The Explosives Handling Personnel Qualification and Certification Program sets guidelines for weapons certification. **This program is independent from all other maintenance programs.** The Explosives Handling Personnel Qualification and Certification Program is applicable to **all personnel** (both military and civilian, including contractors) in the Naval Establishment whose duties require evolutions or tasks involving explosive devices.

**NOTE:** All explosives, ammunition, weapon, and devices using conventional explosives, pyrotechnics, or incendiary material for their operation are included in the general term *explosive devices*.

All operators of power-operated handling equipment, such as hoists, winching cranes, or forklifts, that are used in handling explosive devices must be certified and licensed to handle the particular piece of equipment.

## **Personnel Who Require Individual Certification**

If a person's duties (including explosive ordnance disposal [EOD] personnel involved in non-EOD duties) require him/her to individually inspect (including the duty of safety observer), prepare, adjust, arm, or dearm explosive devices, he/she must be qualified and certified for such tasks. Personnel who conduct magazine inspections, maintenance on aircraft safety and survival equipment, or perform any other function that involves explosive devices must be included in this program. The supervisor of explosive operations and members of the command-appointed certification board (except the chairman) must be individually certified for the evolution that they may supervise or observe.

## **Personnel Who Require Team Qualification and Certification**

A person must be team certified and qualified or individually qualified to perform any of the following duties as a team member: packing, unpacking, assembling/disassembling, testing, fuzing, loading/downloading, or arming/dearming. When team operations are involved, the team leader must be designated and must be certified and qualified. Any change in team personnel must be kept to a minimum. Shipboard gun, missile crews, and air wing integrated arm/dearm crews are considered teams for the purpose of qualification and certification. Requalification or recertification of a team after any personnel change is at the discretion of the commanding officer. At times, contractor personnel perform functions within the scope of the Explosives Handling Personnel Qualification and Certification Program at naval activities. The contractor must provide the commanding officer or officer in charge with the documentation to prove that personnel are qualified and certified before performing any duties that come under the program. All contracts that deal with explosives and explosive operations come under the purview of OPNAVINST 8023.2.

## **Initial Board Member Certification**

One major problem of the initial certification of personnel is to ensure that persons who perform qualification evaluations are themselves qualified. Occasionally, it is necessary to initially certify personnel to perform a particular explosive-related job if no certification board is currently established.

Commanders should ensure the intent of this program when they select certification board qualifying observers.

The department head (or equivalent supervisor) reviews personnel for initial certification by screening school records, previous certification, demonstrated ability, and a personal interview. Then he/she makes a recommendation to the commanding officer or officer in charge as to whether a person should or should not be certified. Certification is made at the discretion of the commanding officer or officer in charge. When sufficient personnel have been qualified, a minimum qualification, a certification board is established.

**NOTE:** The *Explosives Handling Personnel Qualification and Certification Program*, OPNAVINST 8023.2, is not applicable to the following personnel:

- Personnel, such as a security force, who are required to bear arms in the course of their duties.
- Aircrew personnel whose only contact with explosive devices is during logistic transport by aircraft.
- Lookouts, bridge watches, and man-overboard watches required to handle and launch man-overboard markers in emergency situations.
- Document destruction personnel and aircraft wheel watches should handle explosives only during emergencies.
- Personnel whose sole contact with explosive devices occurs when assigned to a working party for the purpose of replenishment, onloading, or offloading.
- Personnel, who conduct tests or inspections of magazine sprinkler systems, provided they have been qualified and certified by other means.

The personnel mentioned above must, however, be carefully instructed in the operation and in the safety precautions applicable to a particular device or explosive material.

## **Revocation of Certification**

The commanding officer or officer in charge is responsible for revoking certification whenever such action is necessary in the interest of safety.

If culpability (responsibility) can be determined during a mishap investigation, a statement on the revocation of individual/team certification must be included in the mishap report.

If an explosive mishap is caused by a person's failure to follow authorized procedures, **revocation of certification is mandatory, and a page 13 entry is required.** If a person flagrantly (openly) disregards safety precautions, operates explosive device handling equipment recklessly, or shows incompetence or unreliability, **revocation of certification for cause is mandatory, and requires a page 13 entry.**

When the commanding officer or officer in charge considers retraining, recertification, and requalifying an appropriate action, the person may be retrained, recertified, and requalified. If, however, the person's behavior indicates that retraining will be ineffective, he/she is assigned to tasks that do not involve explosive devices.

For military personnel, revocation of certification for cause requires a service record entry stating the specific reason(s). For civilian personnel, a letter revoking certification for cause is prepared and filed in his/her civilian personnel record. Revocation of certification means complete removal of an individual from the qualification/certification program. **Onetime decertification for the above infractions is not authorized. There are NO exceptions!**

## PROGRAM INITIATION

Commanding officers or officers in charge initiate, monitor, and maintain the Explosives Handling Personnel Qualification and Certification Program.

### Personnel

Personnel within the program should be sent to formal schools, if possible, and personnel qualification standards are required, where applicable. However, school attendance and personnel qualification standards do not necessarily qualify an individual for certification.

Certification board members are appointed by name and in writing by the commanding officer/officer in charge. The authority may not be delegated.

Certification must be documented by using the format shown in figure 11-1. The board chairman maintains the original. A copy is placed in the individual's training records. When the individual is transferred, the original (maintained by the board chairman) is placed on the left side of the individual's service record.

Certification of military personnel is transferable at the discretion of the receiving command. Receiving commands should validate the certification by placing the board chairman's signature in the recertification block. Certification, unless revoked, is valid for a period of 1 year.

## Aviation Ordnance Family Types

Training record documentation is by specific explosive device and task. This training will be documented by using an Ordnance Certification Training Format (fig. 11-2). This documentation must support the level of certification listed on the individual's or teams' certification form and must reflect all the individual's or teams' training.

**NOTE:** Supplemental instruction of the Explosives Handling Personnel Qualification and Certification Program by subordinate commands is neither required nor desired.

## CERTIFICATION BOARD

The commanding officer or officer in charge of each organization whose duties include handling explosive devices appoints (in writing) an explosives handling personnel qualification and certification board. The following personnel are the minimum personnel included on the board:

- A department head, designated as the board chairman
- No less than one individual, E-6 or above/civilian supervisor, who is certified to perform the function or tasks under consideration

If seniority requirements cannot be met from within the command, a waiver of personal seniority for the board may be requested from the TYCOM, via the chain of command.

ORDNANCE CERTIFICATION TRAINING FORMAT (NEW 01-00)				SAMPLE TWO	
CERTIFICATION LEVELS			WORK TASK CODES		
TM-TEAM MEMBER I -INDIVIDUAL TL-TEAM LEADER QA-QUALITY ASSURANCE SO-SAFETY OBSERVER			1. STOWAGE/STORAGE 2. HANDLING 3. ASSEMBLY/DISASSEMBLY 4. LOAD/DOWNLOAD 5. ARM/DEARM 6. INSTALL/REMOVE		
Explosive/ Explosive Device	Cert Level	Work Task	Instructor/ Observer	Date	Remarks/ Lecture/ Inert
MK-82/FMU-139/M904 BSU-86/E-148E1	TL	1 2 3	A01 JONES	10 MAY 90	
	TL	1 2 3	A01 JONES	22 JUN 90	
	QA/SO/IT	1 2 3	A01 JONES	10 JUL 90	
MK-83/ FMU-139/M904 BSU-85/E-148E1	TL	1 2 3	A01 JONES	11 MAY 90	
	TL	1 2 3	A01 JONES	22 JUN 90	
	QA/SO/IT	1 2 3	A01 JONES	10 JUL 90	
MK-84/FMU-139/M904 Con Fin/E-148E1	TL	1 2 3	A01 JONES	10 MAY 90	
	TL	1 2 3	A01 JONES	17 MAY 90	
	QA/SO	1 2 3	A01 JONES	30 JUL 90	LECTURE
BDU-45/MK-89/ CXU-3/BSU-86	TL	1 2 3	A01 JONES	21 JUN 90	
	TL	1 2 3	A01 JONES	21 JUN 90	
	QA/SO	1 2 3	A01 JONES	30 JUL 90	
BDU-45/MK-4/MK-89/ BSU-33	TL	1 2 3	A01 JONES	15 MAY 90	
	TL	1 2 3	A01 JONES	22 JUN 90	
	QA/SO	1 2 3	A01 JONES	30 JUL 90	
BDU-45/BSU-86/ MK-89/CXU-3	TL	1 2 3	A01 JONES	01 JUN 90	
	QA/SO/IT	1 2 3	A01 JONES	22 JUN 90	
	QA/SO	1 2 3	A01 JONES	03 AUG 90	LECTURE
NAME: SAILOR, THERMON			RANK/RATE : A01		
COMMAND: USS NEVERSAIL (CVN-90)					

AO1102

Figure 11-2.—Ordnance Certification Training Format.

The board chairman is not required to be certified. However, the board chairman certifies other board members. Because of the number of tasks and the number of explosives devices found in some commands, board augmentation with personnel from other commands is authorized and, in some instances, desirable.

## **CERTIFICATION BOARD RESPONSIBILITIES**

Some of the responsibilities of the certification board are discussed below.

- The objective of the board is to ensure that applicable personnel are certified to perform those explosive device tasks required for accomplishment of the command mission.
- The board coordinates the unit personnel certification program. It ensures that administrative procedures are established to ensure the establishment and effectiveness of the program.
- The board observes and evaluates the proficiency of the personnel being nominated for certification and makes recommendations concerning certification nomination to the board chairman. If a person nominated for certification requires additional training and/or experience before certification can be made, that person's division officer or supervisor be notified.
- The board reviews proposed formal courses of instruction and makes appropriate recommendations.
- The board reviews safety infractions concerning explosive devices. It makes recommendations to unit commanders concerning corrective actions. If an explosive incident or accident is caused by a person's failure to use or to adhere to the authorized procedures, the person's certification is revoked. **IN SUCH A CASE, REVOCATION OF CERTIFICATION IS MANDATORY!**

If a person exhibits a flagrant disregard of safety precautions, a reckless operation of explosive devices handling equipment, or unreliability, that person's certification **must** be removed.

The certification levels and minimum qualifications are given in OPNAVINST 8023.2.

## **AMMUNITION STOWAGE**

**LEARNING OBJECTIVE:** *Describe the types of ammunition stowage afloat. Identify the types of stowage spaces afloat to include types of magazines, magazine designations, ammunition stowage requirements, environmental control systems, sprinkler systems and auxiliary equipment, and magazine temperature requirements.*

Stowing ammunition aboard ship presents problems you won't find in other types of storage facilities. When ships are underway, they are subjected to random motion. Ammunition is fastened in place firmly and securely when it isn't being handled. Adequate ventilation is a problem. Most ammunition stowage spaces are located below the main deck. Normally, these areas require extensive piping and venting to maintain proper temperature control and to vent hazardous fumes.

Access to stowage spaces often requires specialized equipment for moving ammunition quickly and efficiently. Stowage spaces are located close to other working spaces, which presents hazards to others on the ship, especially if there were a fire or explosion.

## **AMMUNITION STOWAGE SPACES**

NAVSEASYS COM develops and approves the detailed specifications for construction of Navy ships and individual ship's blueprints. Ammunition stowage spaces (magazines) for various types and classes of ships are designated in these specifications. Aircraft or aircraft carriers' ammunition stowage magazines are also approved by NAVAIRSYSCOM.

Magazines are arranged so they are close to supply, have the best available protection, and the most favorable stowage conditions. Figure 11-3 shows the magazine locations of a typical CV/CVN (aircraft carrier). For safety reasons, various types of explosives and ammunition are stowed in separate magazines or lockers.

The type of stowage varies with the type of ship, the space available and the amounts of explosive involved. Label plates that designate the compartment and the types of ammunition stowed in them mark all magazines. Magazines are marked with warnings that apply to specific special hazardous conditions and operations. Additionally, paint-stenciled labels or painted signs are installed on the outside surfaces of ammunition stowage spaces (except where the outside

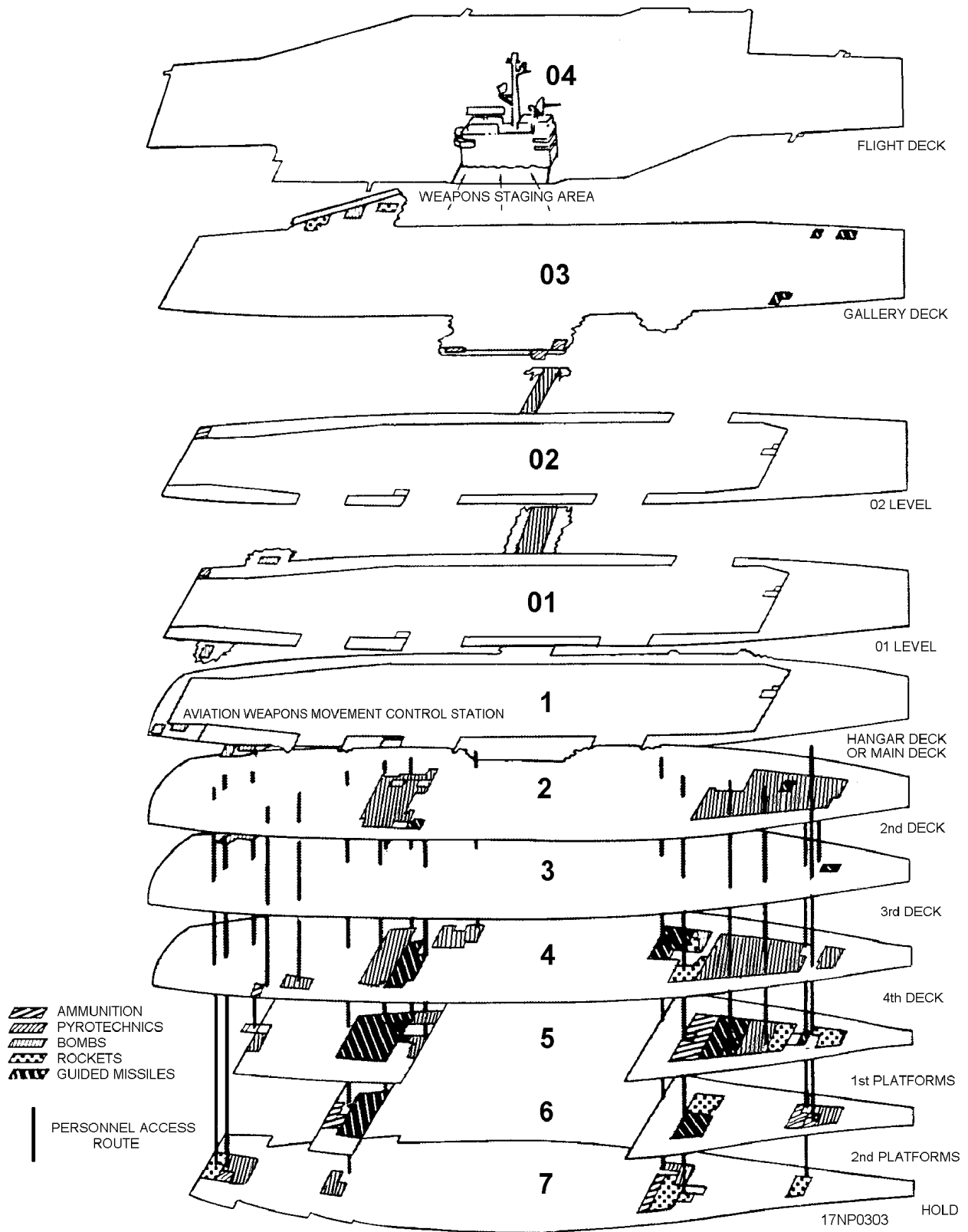


Figure 11-3.—Typical CV magazine locations.





17NP0304

Figure 11-4.—Example of AMMUNITION FAR SIDE sign or label.

surfaces are visible from the exterior of the ship). The stenciled markings must be located on the bulkheads, overheads, and decks 12 feet apart. The sign or label (fig. 11-4) is a yellow rectangle, 5 inches high by 9 inches wide. The sign has black slanted lines; 1/8-inch thick and 1 inch long, on 3/4-inch centers along the top and bottom edges, with lines slanting from top right to bottom left. The letters are 1/8-inch thick and 3/4-inch high, with the words AMMUNITION FAR SIDE arranged as shown in figure 11-4. Primary and missile magazines aboard CVs are designed to hold a ship's service allowance and the embarked air wing's service allowance of ammunition.

Ships have several different types of magazines. Each magazine is designed for a specific type of ammunition. The magazine types include primary, missile, ready-service, lockers, and chemical.

## Primary Magazines

Primary magazines are stowage spaces that are usually located below deck and, if possible, below the waterline. They are adequately equipped with thermal insulation, temperature control, and ventilation. Primary magazines are equipped with adequate sprinkler systems, and they are closed and locked when unattended.

## Missile Magazines

Because of the nature of guided missiles, requirements for their stowage aboard ship differ from those of conventional ammunition. Air-launched missile magazines in aircraft carriers are usually located below the waterline and within the armor box. Air-launched missile ready-service magazines may be located either above the waterline or within the armor box. Missile magazines contain electrical, hydraulic, and pneumatic power-operated handling equipment. A restraining gear prevents movement of an accidentally ignited motor. You must take special care of the ventilation system of missile magazines to ensure pressures don't build up to a dangerous level if a missile motor is ignited.

## Ready-Service Magazines

Ready-service magazines (fig. 11-5) are designated spaces located near the weapon or area to be served.

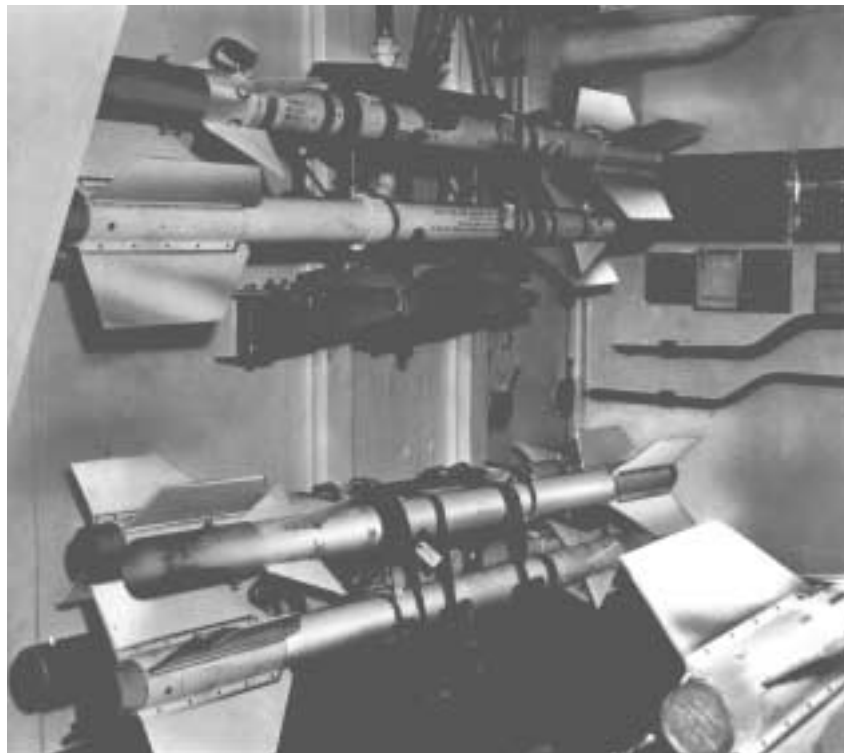


Figure 11-5.—Typical missile ready-service magazine.

Normally, they are equipped with thermal insulation, ventilation, and a sprinkling system. They are securely locked. Certain magazines located within the armor box of aircraft carriers and used for stowage of completely assembled rounds of weapons and deployable targets are also ready-service magazines.

## **Lockers**

Certain compartments or lockers are used to stow special types of ammunition and ammunition components, such as detonators, pyrotechnics, and chemicals. They are frequently located on the weather deck. They are located as conveniently to the weapon or space to be served as possible. They may not be equipped with sprinklers, but they do have locking devices. Special flare ready-service lockers are located at outboard locations on aircraft carriers for short-term stowage of aircraft parachute flares. These flares have either been removed from the primary pyrotechnics magazines or prepared for launching or they have been returned intact after a mission. If necessary, these lockers are manually jettisoned. A label is installed on the locker identifying the type of explosives that are stowed within each locker. Where stowage for ammunition is provided by lockers, chests, or racks that are permanently secured to the ship's structure, don't change their location without prior approval of NAVSEASYSCOM.

## **Chemical Magazines**

Chemical ammunition classified as lethal or incapacitating isn't carried aboard ships unless specifically authorized by NAVSEASYSCOM or higher authority. If authorized, specific stowage instructions are issued by NAVSEASYSCOM, and personnel involved in handling procedures must receive appropriate training. Specific spaces aboard ship may be designated as chemical magazines by NAVSEASYSCOM. The decks and bulkheads of a chemical magazine are coated with an impermeable material, and the magazine contains a provision for sampling its internal atmosphere from an adjacent compartment. Facilities for personnel and gross decontamination are located near the magazine.

## **IMPROVED REARMING RATE PROGRAM**

Modern naval aircraft carriers incorporate a magazine stowage concept called "modular stowage." The modular stowage concept gives greater versatility in magazine stowage arrangement and minimizes

ammunition handling. It makes it easier to stow ammunition, such as bombs and missiles, as fleet issue loads. Also, it isn't necessary to depalletize or decan loads before they are stowed. The incorporation of modular stowage and the addition of larger weapons elevators to service these areas brought about the Improved Rearming Rate Program (IRRP).

The IRRP allows major handling time improvements in two areas—rearming and weapons assembly. Stowing ammunition as received on pallets lets handling crews rearm the ship's mission load in less time than the old system. In turn, handling time is minimized during weapons assembly.

## **DESIGNATION OF MAGAZINES**

Magazines or ammunition spaces afloat are designated with particular reference to the purpose intended. Generally, magazines aboard ship are designated to hold a single type of ammunition.

### **Single-Purpose Magazine**

Magazines are designated as single-purpose stowage magazines whenever practical. The following are single-purpose magazine designations: powder and rocket motor magazine; hypergolic rocket motor magazine; fixed ammunition magazine; small arms magazine; missile magazine; warhead locker or magazine; aircraft bomb magazine; projectile and rocket head magazine; fuze magazine; detonator locker; pyrotechnic magazine or locker; ready-service ammunition room, box, rack, or locker; and chemical magazine.

### **Multipurpose Magazine**

While stowage of a single type of ammunition in an individual magazine is desirable, it isn't always possible. NAVSEASYSCOM authorizes certain mixed stowage in magazines that retain a single-purpose designation. Where stowage space is limited and the mission requires carrying various types of ammunition, stowage of more than one type of ammunition in a magazine is an acceptable hazard. Authorization for this type of stowage is at the discretion of the operational commander.

## **AMMUNITION STOWAGE REQUIREMENTS**

Generally, there are magazines for each type of ammunition stowed aboard ship. Ammunition, explosives, and explosive components are stowed in

specifically designated stowage spaces. Ammunition stowage spaces aboard ships are limited, and in certain classes of ships, extremely limited. Therefore, ammunition stowed aboard ship should stay within authorized ammunition allowances. Its important for shipboard ammunition to be stowed so maximum effectiveness is achieved. For these reasons, strict compliance with ammunition stowage by compatibility groupings aboard ship, while desirable and observed when practical, may not be feasible. When mixed stowage is used, make sure that it conforms to the stowage tables listed in *Ammunition Afloat*, NAVSEA OP 4.

### REVIEW NUMBER 1

- Q1. *What command develops and approves specifications for construction of Navy ships?*
- Q2. *A ship's primary magazines are usually located \_\_\_\_\_.*
- Q3. *What types of magazines are located close to the area to be served?*
- Q4. *What is the purpose of modular stowage?*
- Q5. *List the two areas that the IRRP created improved handling.*
- Q6. *Generally, magazines aboard ship are designated to hold \_\_\_\_\_.*
- Q7. *Authority for stowing mixed types of ammunition in a magazine rest with \_\_\_\_\_.*

### ENVIRONMENTAL CONTROL SYSTEMS

Magazines are fitted with environmental control and safety features to protect ammunition from excessive temperatures and humidity. Most magazines have either mechanical cooling or ventilation systems. However, there are a few magazines that don't have either of these features. If a magazine without controls shows a heat gain in excess of 100°F, use portable ventilation systems to prevent overheating or condensation of moisture.

#### Supply and Exhaust Ventilation

Ventilation ducts and exhaust ventilation outlets to and from magazines provide forced-air ventilation. Air is forced through the ducts by electric fans installed within the ductwork. Standard covers maintain

watertightness and prevent the entrance of flames from hits on the ship during combat. Always close these covers during combat (general quarters) conditions, unless otherwise directed. If you inhale fumes from some types of ammunition, you might get slightly intoxicated. However, this should not appreciably reduce your work efficiency. Generally, there is sufficient air volume in large, sealed magazines and handling rooms to provide a safe working atmosphere for approximately 5 hours. Magazines that are continuously occupied by personnel are blown through or ventilated a minimum of once every 5 hours.

#### Magazine Vent Check Valves

Sometimes, it is necessary to operate the sprinkler system in magazines while the ventilation valves are secured. When this happens, the magazine must be vented by an air escape to ensure that the pressure within the magazine doesn't build up beyond the allowed pressure limits of its watertight boundaries. Magazine check valves allow air and water to escape from the magazine into one of the ventilation ducts or through an independent air escape.

### REVIEW NUMBER 1 ANSWERS

- A1. *NAVSEASYSKOM develops and approves specifications for construction of Navy ships.*
- A2. *A ship's primary magazines are usually located below the waterline.*
- A3. *Ready-service magazines are located close to the area to be served.*
- A4. *The purpose of modular stowage is to give the greatest versatility and to minimize ammunition handling.*
- A5. *The two areas that the IRRP created improved handling are rearming and weapons assembly.*
- A6. *Generally, magazines aboard ship are designated to hold a single type of ammunition.*
- A7. *Authority for stowing mixed types of ammunition in a magazine rest with NAVSEASYSKOM.*

#### Exhaust Vents

Aboard ship, most magazines, particularly missile magazines, are vented to the atmosphere. When missile

motors burn, they rapidly produce large volumes of smoke and gas. To avoid spreading smoke and gas to other areas of the ship if a missile motor in a magazine accidentally ignites, the exhaust ducts are vented to the atmosphere. The area on the weather deck in the vicinity of an exhaust vent is potentially hazardous, and it is marked to warn personnel not to loiter (hang around) in this area.

## SPRINKLER AND ALARM SYSTEMS

Primary and missile magazines, ammunition handling rooms and most ready-service magazines are fitted with sprinkler systems. Sprinkler systems consist of spray heads or sprinkler-head valves arranged to dash water directly on the munitions and completely cover the magazine's interior. Sprinkler systems for spaces located below the damage control deck (second deck on aircraft carriers) are arranged for local control at the valve and for remote control from the damage control deck. On aircraft carriers, the remote controls are normally divided into two groups—forward sprinkler control board and aft sprinkler control board. The forward magazine group and the aft magazine group sprinklers can be remotely activated from the two control boards. Sprinkler systems for spaces located on and above the damage control deck are arranged for local control only from a position outside the access entrance to the space.

**NOTE:** Some magazines are designed without sprinkler systems so water-activated ammunition can be stowed in them. For example, Mk 58 marine location markers cannot be stowed in magazines that can be flooded. Also, weather-deck lockers and 20-mm and 40-mm ready-service rooms do not require sprinkler systems.

### Sprinkler Systems

Sprinkler systems are classified by the type or location of the control exercised over the valves that restrain the flow of water. These valves may be operated manually or by remote control (manually or automatically). There are three types of remote operation:

1. Manual, by operating gears
2. Hydraulic, by means of control cocks and water from the fire system or control cocks and oil pressure supplied by hand pumps

3. Automatic, by means of a *rate of rise* or combined *rate of rise* and fixed temperature thermopneumatic control system

The *rate of rise* is indicated in a magazine when the temperature increases rapidly (such as from a fire). The rapid temperature increase activates the sprinkler-alarm device (FH circuit), which, in turn, automatically activates the sprinkler system control valve.

### Alarm Systems

There are three alarms that are commonly associated with all magazine sprinkler systems—a sprinkling (FH circuit) alarm, a flooding (FD circuit) alarm, and a high-temperature (F circuit) alarm.

- High-temperature alarm systems (F circuit) are installed in all of the following magazines or spaces:
- Ammunition and propellant stowage areas
- Ammunition handling spaces
- Ammunition assembly/disassembly/check-out areas
- Cargo ammunition holds to provide a means of determining high temperatures

Don't confuse the F circuit with the FH circuit. The F circuit detects a slow rise in temperature while the FH circuit detects a rapid rise in temperature.

Install a minimum of two thermostats in each space. Install a minimum of one thermostat for each 250 square feet of deck area, or fraction of a deck area. If high temperatures occur in any of the spaces containing thermostats, the high-temperature that occurrence is indicated on an alarm switchboard installed in an area continuously manned when the ship is underway. Usually, this is damage control central. Audible alarm systems are also installed in the pilothouse, officer-of-the-deck (OOD) area, secondary damage control station, and each interior communications room. The audible alarm systems work in conjunction with the F and FH circuits.

Tests and maintenance of the magazine sprinkler systems are performed periodically according to NAVSEA and applicable preventive maintenance system (PMS) instructions.

### MAGAZINE INTERNAL ARRANGEMENT

The internal arrangement of each magazine may vary considerably. The arrangement depends on the

stowage space available and the type of ammunition stowed. Figure 11-5 shows a ready-service magazine configured for ready-service missiles. Notice some missiles are stowed in cradles attached to the bulkhead. Other missiles are loaded onto handling equipment and ready for immediate issue. In larger magazines, such as primary missile magazines, stanchions may be installed

in sockets provided in the deck and overhead. Cradles are attached to the stanchions to stow a large number of decanned, ready-service missiles. Straps are used to secure the missiles in the cradles.

Stanchions are also used to divide a large magazine area into smaller areas or bins (fig. 11-6) to hold various

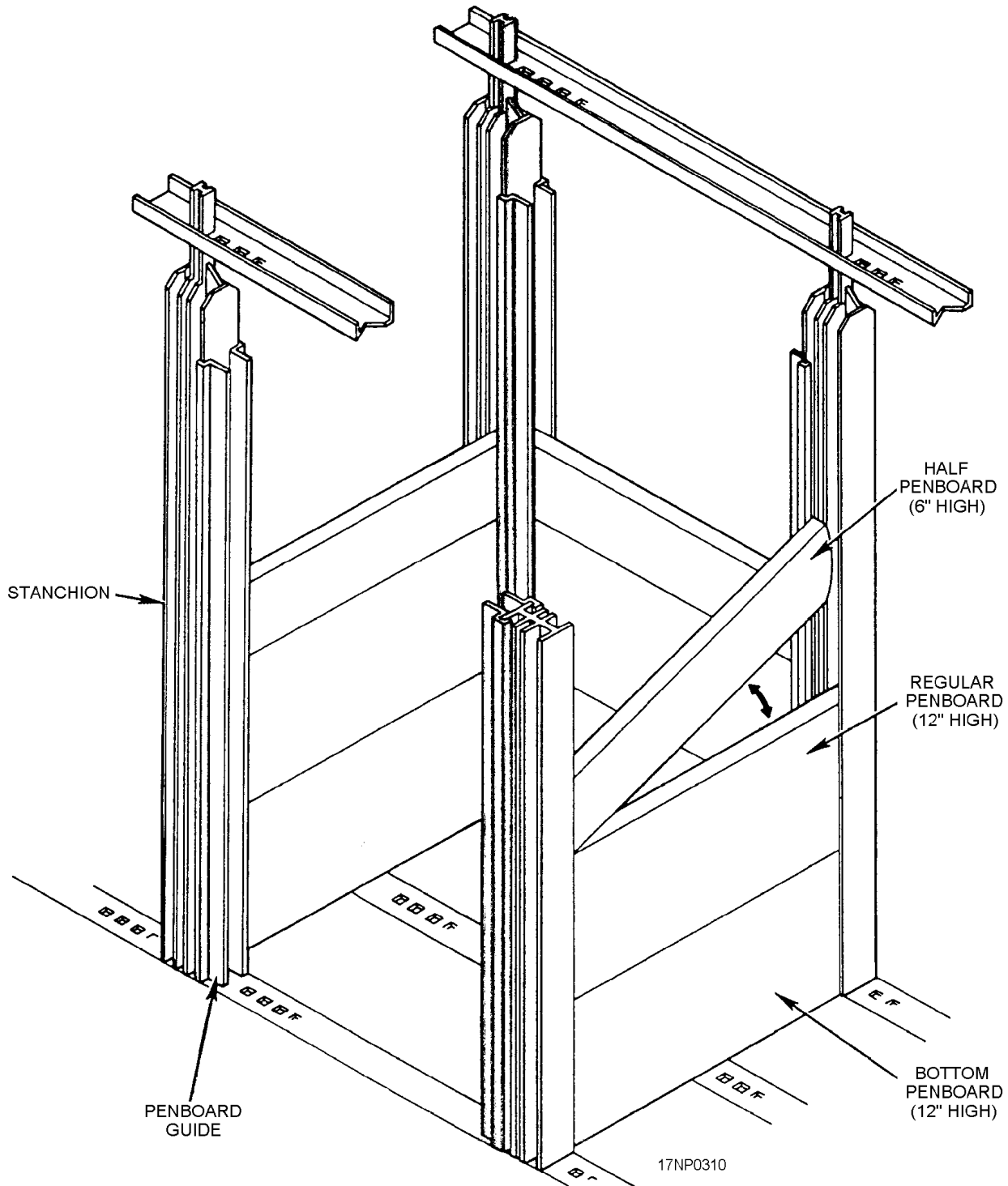


Figure 11-6.—Typical stanchions and bin configuration.

sizes of ammunition with a minimum loss of space. The stanchions are fitted with slots or have other means for receiving battens. The battens (which run horizontally) provide the walls that form the bin.

No matter which stowage method is used, arrange the stowage area so access to as much ammunition and as many containers as possible is provided, and provide adequate space for ventilation and handling operations. Stow ammunition and explosives on dunnage to provide an airspace so all parts of the magazine receive maximum ventilation and exposure to the sprinkler system. Mk 3 or Mk 12 metal pallets are used as dunnage aboard aircraft carriers. These have the correct space between the deck and stowed material. They also provide adequate grounding. Additionally, make sure that there is an air space of not less than 2 inches between any ammunition stowage stack and the surface of adjacent plating or sheathing. Stow the stacks of ammunition so sprinkler systems, circuit F sensors, or air escape lines aren't obstructed. When different lots and/or types of ammunition are stored in the same magazine, segregate the ammunition by lot, size, and type. Record this information on magazine cards and post them in the magazine.

Ships at sea move randomly; therefore, securely fasten all hazardous munitions and explosives in place, except when they are actually being handled. In some cases, stanchions and battens provide adequate security. Other types of ammunition stows, such as palletized bombs or missile containers, are secured by tie-down chains especially designed for this purpose. Connect the tie-down chains to the load and the deck tie-down points so even the slightest movement of the ammunition is prevented.

## **MAGAZINE INSPECTION AND VISUAL SURVEILLANCE OF AMMUNITION**

The term's *magazine inspection* and *visual surveillance of ammunition* mean the same thing. They apply to the inspection of magazines and their contents. Aboard ship, these inspections are mandatory according to *The Ships' Maintenance and Material Management (3-M) Manual*, OPNAVINST 4790.4, other Navy regulations, and NAVSEASYSKOM instructions. Magazine inspections are part of the ship's Preventive Maintenance System (PMS), and qualified personnel should only conduct them. These personnel use a check sheet (maintenance requirements card) to ensure that a hazard or abnormal condition is not overlooked.

## **DAILY VISUAL INSPECTION**

Generally, the daily visual inspection of magazines consists of checking for the following:

- Improperly secured stowage
- Unsatisfactory protective packaging
- Unusual fumes or odors
- Magazine cleanliness
- Other abnormal conditions

Abnormal conditions in a ship's magazine or ammunition stowage space include evidence of tampering to gain access, evidence of theft, evidence of temperature or humidity fluctuations, and the presence of unauthorized materials. Abnormal conditions also include evidence of localized overheating from adjacent compartments on decks, bulkheads, and overheads; indications of leaks from sprinkler or flood pipes, nozzles, or control valves and regulators; and inoperable or damaged reach-rods, linkages, automatic fire alarm devices, and other similar equipment in the specific hazard stowage's. Record the results of all magazine inspections on the appropriate PMS schedule.

An important requirement of the daily magazine inspection is observing, recording, and reporting maximum and minimum temperature conditions in each stowage space. Magazines shall be fitted with thermometers and temperature record cards and holders, or temperature sensing devices. They must be capable of recording minimum and maximum temperatures.

Where no functional automated temperature indication system is present, at least one bimetallic thermometer shall be placed in each designated ammunition magazine or locker. The thermometer shall be located in a readily accessible area where maximum variations of temperature will normally occur. Where installation of the thermometer and bracket interferes with stowed material or equipment, the thermometer shall be mounted in a boss on the outside with the stem projecting inside the stowage space.

These thermometers shall be direct-reading, bimetallic thermometers with maximum and minimum index pointers and reset knob. They shall meet the specifications of MIL-I-17244. Thermometers shall have a temperature range of -40 to 180°F, a 3-inch, back-connected dial, and a 4-inch stem. For applications, which do not require recording of

MAGAZINE TEMPERATURE RECORD CARD			
COMIT <u>A-304M</u>		THERM. NO. <u>279</u>	
MONTH <u>APRIL</u>		19 <u>70</u>	
DATE	MAX.	MIN.	INITIAL
1	84°	64°	JCH
2			
3			
4			
5			
6			
7			
8			
9			
10			
11			
12			
26			
27			
28			
29			
30			
31			
INDEX	ROUNDS		
INDEX	ROUNDS		
INDEX	ROUNDS		
INDEX	ROUNDS		

17NP0312

Figure 11-7.—Magazine Temperature Record Card.

minimum temperatures, a bimetallic thermometer with a maximum index pointer only is also acceptable.

### MAGAZINE TEMPERATURE LOG

A Magazine Temperature Record Card (fig. 11-7) is located in each magazine. It is posted near the thermometer for recording daily magazine temperatures. These cards are replaced on the first day of each month. The completed cards are removed from the magazine, and the temperatures for each month are posted in a permanent log. The Magazine Temperature Record Cards are retained on file for a period of 1 year. When recording magazine temperatures in the permanent log, record temperatures in excess of 100°F so they stand out (use red ink). If the temperature exceeds 110°F in smokeless powder, rocket motor, and JATO magazines, check the temperature hourly and record it in a separate notebook. Transfer these recorded temperatures to the permanent log on a daily basis. Any magazine with a temperature consistently above 100°F is reported to NAVSEASYSKOM.

### MAGAZINE SECURITY

Unless work is actually being performed within the space, all ammunition stowage spaces containing ammunition or explosives are secured and locked. Current directives and instructions require this action. Properly securing an ammunition stowage space includes the following actions:

- Properly set all environmental controls.
- Close all hatches, doors, or accesses.
- Properly set all dogs on watertight closures.
- Lock the space with an adequate locking device.

Some ammunition and explosive items, such as small arms ammunition, small arms, and pyrotechnics, are highly pilferable. Stow them in high-security stowage spaces. These spaces are equipped with an unauthorized entry alarm system and a specially designed, high-security, locking device (fig. 11-8).

The ship's gunner maintains and controls the magazine keys, including the high-security keys. The keys are logged out to authorized personnel only. During emergencies, such as fire and flooding, the ship's gunner provides access, as necessary, to locked ammunition spaces. If the ship's gunner is absent, the weapons department duty officer performs this function.

### REVIEW NUMBER 2

- Q1. *Missile magazines are vented to \_\_\_\_\_.*
- Q2. *What item shouldn't be stowed in magazines that are equipped with sprinklers?*
- Q3. *In a shipboard magazine, what alarm circuit indicates a rapid rise in temperature?*
- Q4. *What types of pallets are used as magazine stowage dunnage aboard ship?*
- Q5. *NAVAIRSYSCOM should be notified if the temperature in any magazine is consistently above \_\_\_\_\_.*
- Q6. *What person controls all magazine keys aboard ship?*

### AMMUNITION HANDLING

LEARNING OBJECTIVE: *Identify ammunition handling equipment used aboard ship and recognize its purpose and use. Identify the purpose and use of weapons elevators.*

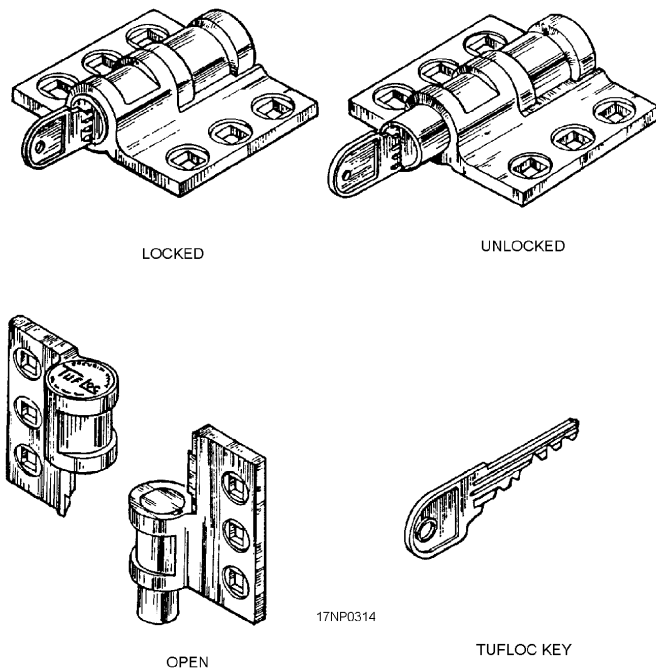


Figure 11-8.—High-security locking devices.

Handling ammunition requires detailed planning, precise execution of details, and strict compliance with safety regulations. When handling ammunition aboard a ship, these requirements can't be overemphasized. The working space is limited, and there are a large number of personnel contained within the ship. All personnel (both military and civilian) who handle ammunition must be qualified and certified in their areas of responsibility.

### INSTALLED HANDLING EQUIPMENT

Aboard ship, weapons elevator service most large magazine and weapons assembly areas. These areas have provisions for the use of hoists. A brief description of handling equipment and its purpose is discussed in the following text.

### Hoists

You use hoists in magazine stowage areas to stack or relocate ammunition within the magazine. You also use them to decan weapons. Hoists are used during weapons assembly to lift a weapon from the handling equipment or pallets to the assembly stands and from the assembly stand to the handling equipment.

There are three basic types of hoists—manually powered, electrically powered, and pneumatically powered (fig. 11-9). A hoist may be attached to the overhead by a stationary fitting, or it may be mounted onto an overhead monorail to move the load laterally.

You must use the correct sling, hoisting beam, and bomb carrier when connecting the hoisting cable to the load. Hoists have an established safe working load (SWL) that you must consider when selecting a hoist for a particular job. Also, consider the SWL of the interfacing equipment (bomb carrier, sling, etc.). For example, you have selected a hoist with an SWL of 4,000 pounds and a bomb carrier with an SWL of 2,000 pounds. The maximum weight this configuration can safely lift is 2,000 pounds.

Inspect hoists before you use them. Hoist must be periodically load tested. Equipment that has satisfactorily passed periodic load tests is marked to indicate its SWL. As a minimum, the marking includes the following information:

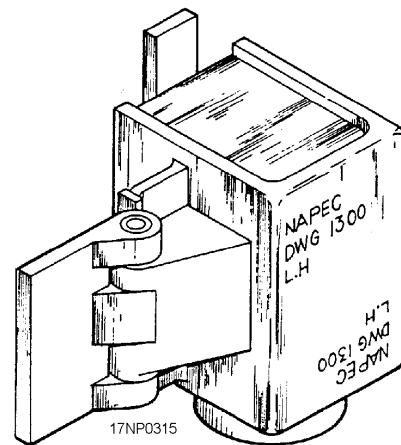
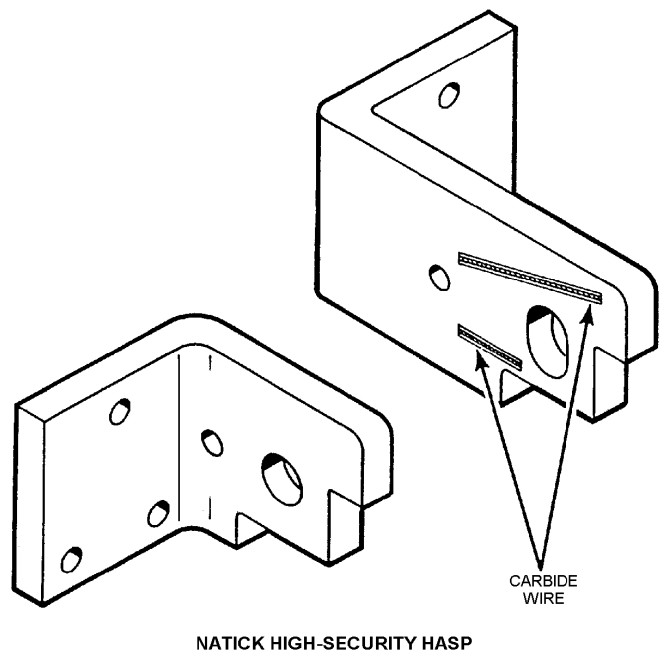
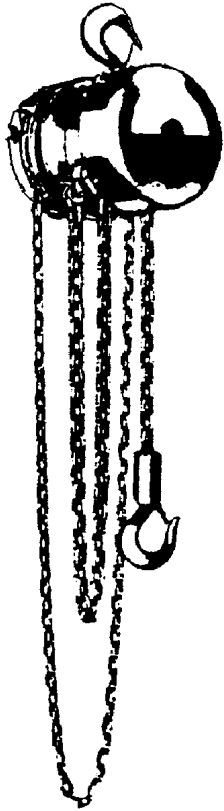
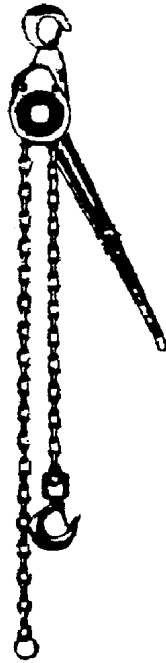


Figure 11-8.—High-security locking devices—Continued.

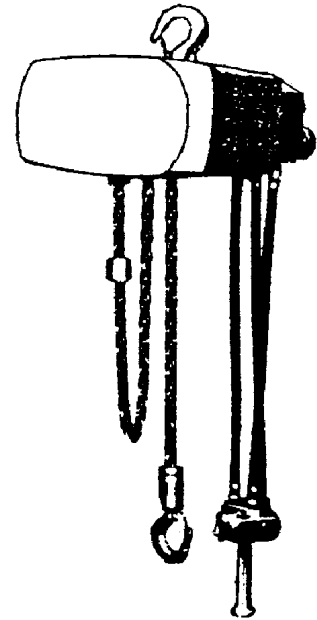




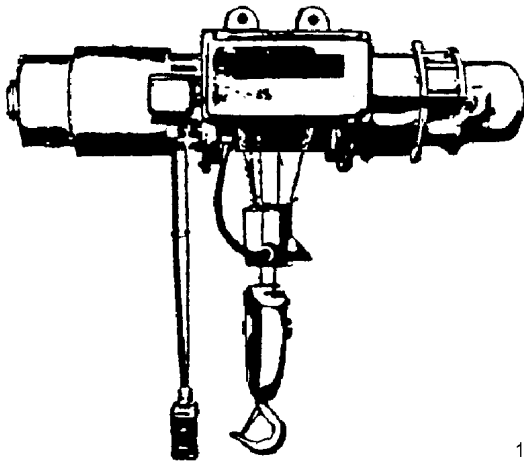
HOOK CHAIN HOIST  
MANUALLY OPERATED



HOOK CHAIN HOIST  
MANUALLY OPERATED  
LEVER TYPE  
(COME-A-LONG)

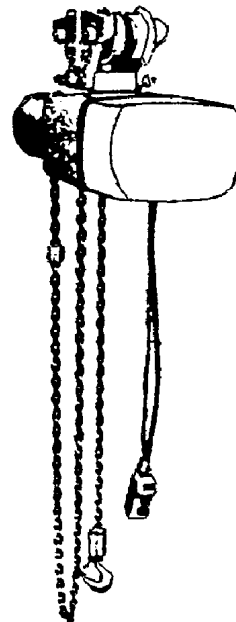


CHAIN HOIST  
PNEUMATICALLY  
OPERATED



WIRE ROPE HOIST  
ELECTRICALLY OPERATED

17NP0316



CHAIN HOIST  
ELECTRICALLY  
OPERATED

Figure 11-9.—Typical ammunition handling hoists.

- The name of the testing activity and the name of the person performing the test.
- The date the test was performed.
- The date of the next required inspection may be included, if desired.

If the test period has expired or if documentation is not available to verify the latest load test status, the equipment is tested before it is used. If the equipment fails the load test specifications, the equipment is destroyed or, if economically feasible, repaired.

## REVIEW NUMBER 2 ANSWERS

- A1. *Missile magazines are vented to the atmosphere.*
- A2. *Mk 58 marine location markers shouldn't be stowed in magazines that are equipped with sprinklers.*
- A3. *In a shipboard magazine, the FH circuit indicates a rapid rise in temperature.*
- A4. *Mk 3 or Mk 12 metal pallets are used as magazine stowage dunnage aboard ship.*
- A5. *NAVSEASYSKOM should be notified if the temperature in any magazine is consistently above 100°F.*
- A6. *The ship's gunner controls all magazine keys aboard ship.*

## Weapons Elevators

There are currently more than 150 weapons elevators, involving over 55 different designs, installed on aircraft carriers. The size, type, and location of these weapons elevators will vary among the different classes of aircraft carriers.

The following text contains a brief description of the two major classifications (lower-stage and upper-stage) of weapons elevators. Regardless of the type of installation, a weapons elevator provides a safe and efficient means for you to handle weapons and weapons components among the magazines and the various assemblies, staging, and arming areas within the ship.

**LOWER-STAGE WEAPONS ELEVATORS (5,500 POUNDS).**—The 5,500-pound, lower-stage, weapons elevator (fig. 11-10) services magazines and ammunition handling areas from the 7th-deck level up to and including the 2nd-deck level. The components of

the elevator include an electrically powered, multiple-drum winch, an elevator platform, and an enclosed, watertight, vertical trunk with doors located at the levels and stations serviced, and a semiautomatic control system.

Ramps are used to bridge the gaps in the door opening between the elevator platform and the deck. These allow you to load or unload the elevator platform by using forklift trucks or wheeled skids.

Each lower-stage elevator is equipped with a broken-rope safety device, an over speed governor device, and slack cable-sensing devices. The broken-rope safety device is mounted on the elevator platform assembly. If any one of the platform suspensions ropes break, a roller-wedging mechanism automatically operates to lock the platform to the guide rails.

A counterweight-type governor device for limiting speed of elevator down travel is located in the upper end of the elevator trunk. The governor is operated by a wire rope connected to a lever of the broken-rope safety device on the elevator platform. Then, the rope is passed over the governor sheave and attached to the governor spooling drum on the hoisting winch. Excessive down speeds causes the governor limits

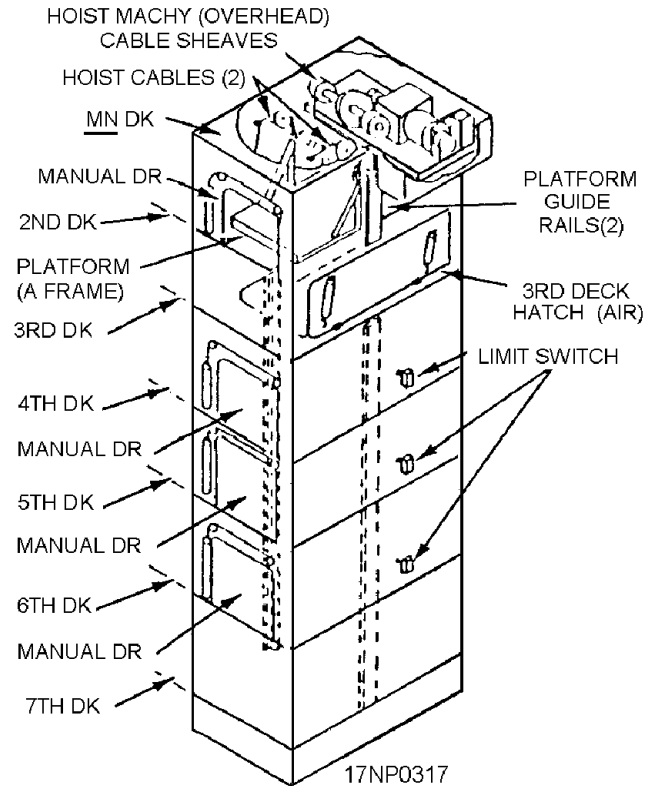


Figure 11-10.—Typical 5,000-pound, lower-stage, weapons elevator.

switch to shutoff the power to the hoist motor and electric brake. Loss of electric power causes the brake to automatically stop the elevator. If the brake fails to stop the elevator, the governor sheave grips the governor rope, causing the broken-rope safety device to stop the elevator.

A slack, cable sensing, safety device is provided for each suspension rope and the governor rope. Located in the area between the winch drums and the overhead sheaves, these devices function by applying a spring-loaded follower roller to the wire rope. Rope slack causes a proximity switch to shutoff electrical power to the hoisting winch motor and brake, which stops the elevator.

If the elevator over travels upward beyond the maximum up stop position, an over travel limit switch is actuated. This stops the elevator by shutting off power to the hoisting winch motor and brake.

If the elevator over travels downward beyond the hold deck loading station level, spring bumpers in the bottom of the elevator trunk stop the platform. The slack-cable switches are actuated to cut off power to the hoisting winch motor and brake.

An operator-attended control panel is located next to all elevator doors. All operator control panels have a display of selector switches, push buttons, and indicator lamps suited for the control functions required at the station served. All control panels have an emergency stop-run switch from which all operations of the elevator can be stopped.

The main operator control panel and electrical power switch are located at the 2nd deck-level station. An elevator can be dispatched to another level from any operator control panel. The lower-stage elevator control system can dispatch the elevator to another level. However, it can't retrieve the elevator from another level.

**IMPROVED WEAPONS HANDLING SYSTEM (IWHS) LOWER-STAGE WEAPONS ELEVATORS.**—The IWHS lower-stage weapons elevator (fig. 11-11) services magazines and ammunition handling areas from the 7th deck level up to and including the main deck (hangar deck). The IWHS is a highly sophisticated system controlled by a PDP-14 programmable controller that continually tracks the location of the platform to within one-twelfth of an inch. Because of the complexity of the IWHS, elevator operators and maintenance personnel are extensively trained in hydraulics, electricity, and electronics.

Four cables attached at the corners lift the platform. The platform machinery is located at the 3rd deck level. The hatches are opened hydraulically. They are designed to automatically undog-open-latch and unlatch-close-dog. The elevator doors are also operated hydraulically.

The IWHS incorporates the following safety features:

- An over speed governor slack-cable device
- An over speed governor device
- A hydraulic interlock to prevent two hatches from being opened at the same time
- A hydraulic interlock to prevent hatches from closing when dogs are in the dogged position
- An electrical interlock to prevent opening a magazine door unless the platform is at that level
- An electrical interlock to prevent opening more than one magazine door at a time
- A pressure switch to prevent operation of the elevator when the hydraulic pressure is below 1,200 psi

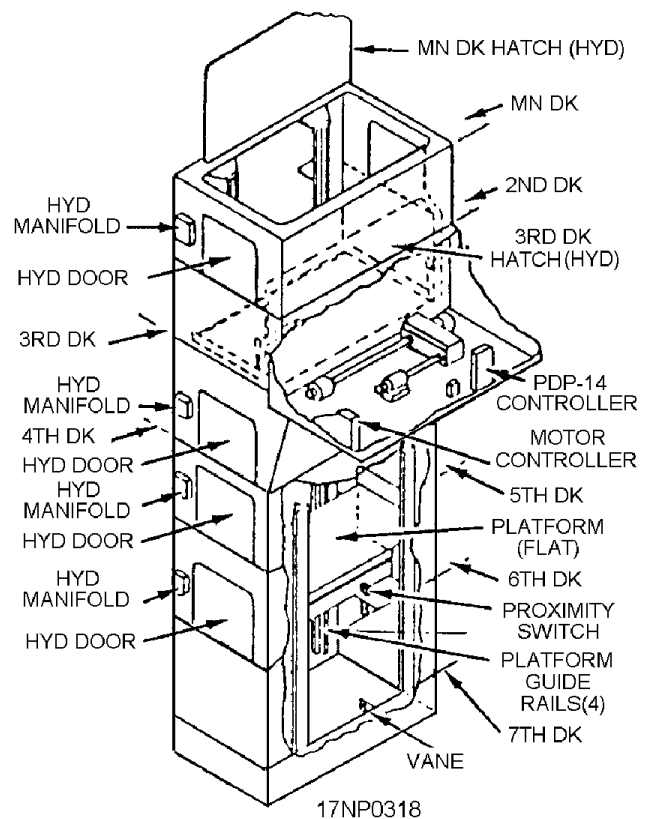


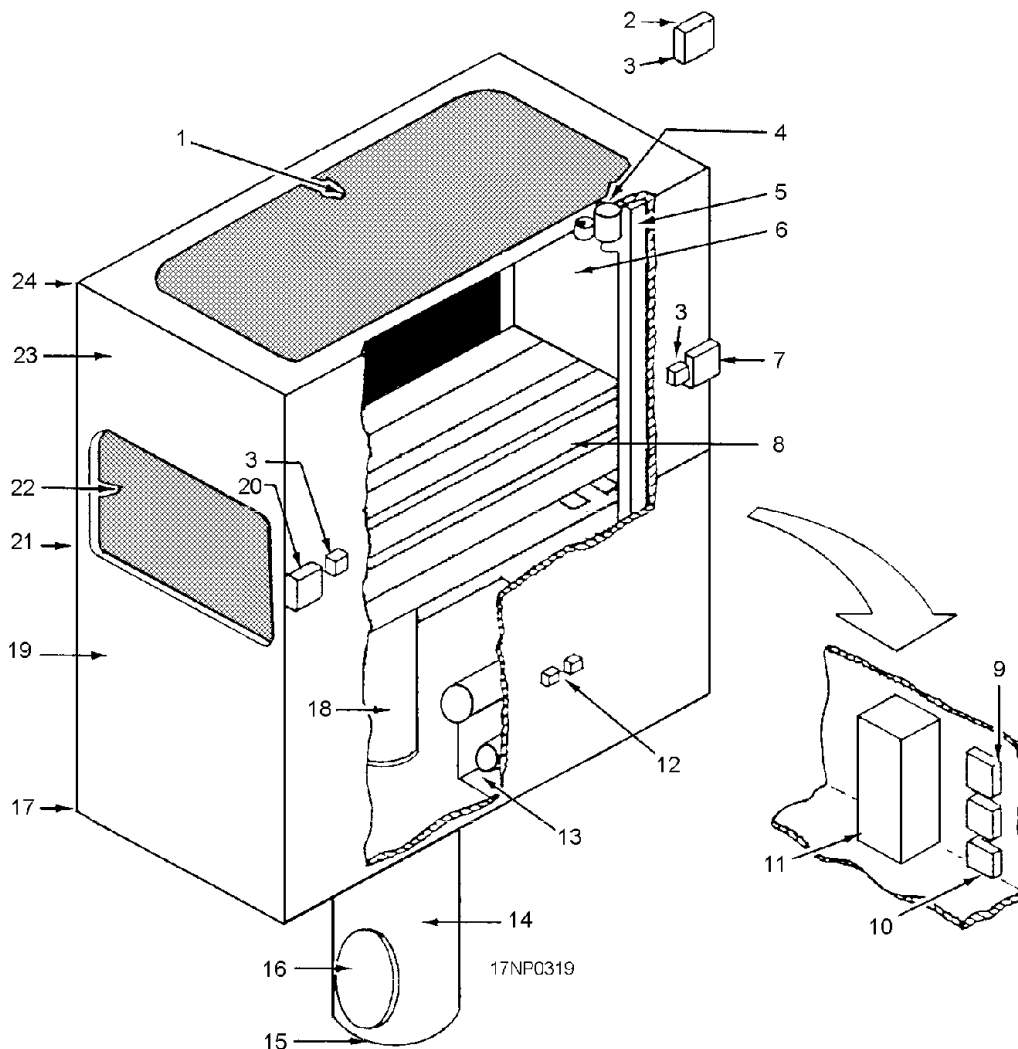
Figure 11-11.—Typical IWHS lower-stage, weapons elevator.

- An electrical interlock to prevent platform high-speed travel beyond the sequence-level slowdown switch
- An electrical interlock to prevent platform travel beyond the sequence level until the main deck hatch is opened and latched
- An electrical interlock to prevent movement of the platform until the lock bars are fully retracted

In addition to the operator controllers located at each access door and the 2nd deck main controller, a

portable main controller may be used at the main deck level. Normally, there is one IWHS installed forward to service the forward-magazine group and one installed aft to service the aft-magazine group. These elevators support the Improved Rearming Rate Program (IRRP).

**UPPER-STAGE HYDRAULIC ELEVATORS.**—Upper-stage hydraulic elevators (fig. 11-12) are used to transport weapons between the second deck and the main deck only. The major components of each elevator are an enclosed, watertight, vertical trunk, an elevator platform assembly, a hydraulic power plant system, and a semiautomatic elevator control system.



- |                            |  |                                |
|----------------------------|--|--------------------------------|
| 1. Main deck hatch         | 9. HYD plant motor magnetic controller | 17. 3rd deck                   |
| 2. Main deck control panel | 10. PLATF CONVR motor MAG controller   | 18. Hoisting cylinder assembly |
| 3. Call signal station     | 11. Static control panel               | 19. Machinery space            |
| 4. Shock absorbers         | 12. HYD plant motor master switch      | 20. Remote control panel       |
| 5. Guide rail              | 13. HYD power unit assembly            | 21. 2nd deck                   |
| 6. FWD elevator door       | 14. Hoisting cylinder enclosure        | 22. Aft elevator door          |
| 7. Master elevator door    | 15. 4th deck                           | 23. Elevator trunk             |
| 8. Platform conveyor       | 16. Hatch                              | 24. Main deck                  |

Figure 11-12.—Typical upper-stage, hydraulic, weapons elevator.

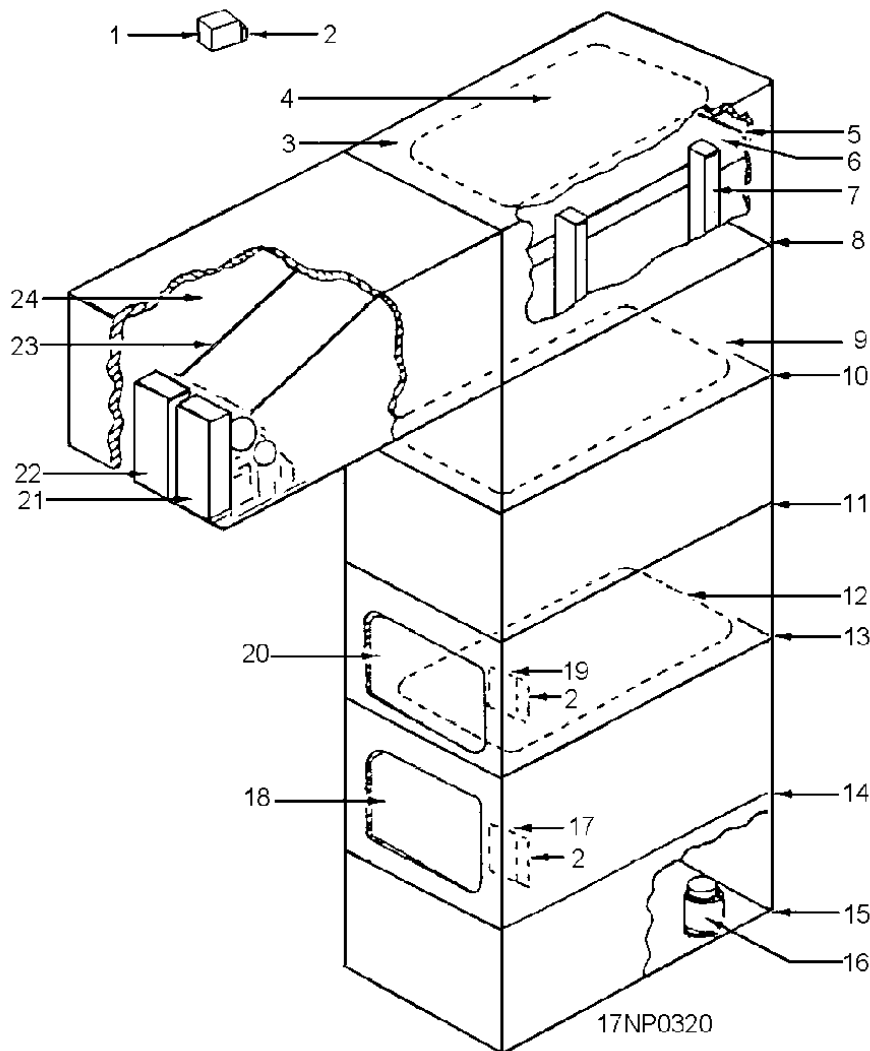
If an excessive elevator down speed occurs, an over speed valve closes and stops the elevator. The over speed valve is mounted on the lower end of the lifting ram hydraulic cylinder assembly.

**UPPER-STAGE WIRE-ROPE ELEVATORS.**—The upper-stage, wire-rope elevators (fig. 11-13) are the only weapons elevators in the system that provide weapons transportation to the flight deck. The 2nd deck is the lowest level served by the upper-stage elevators. The equipment of upper-stage, wire-rope elevators are either similar or identical to those of lower-stage, wire-rope elevators. The following

discussion describes the difference between upper- and lower-stage, wire-rope elevators.

The elevator trunk enclosure extends from the 3rd deck to the underside of the flight deck. Power-operated ballistic hatches in the main deck, 02 level, and flight deck allow passage of the elevator platform, and they maintain ballistic integrity within the trunk. There are power-operated doors in the trunk for elevator loading and unloading.

So the elevator platform can be raised flush with the flight deck, the wire-rope attachment points are on extensions of the platform structure, placing them



- |   |                     |  |
|---|---------------------|--|
| 1. FLT DK control panel (gallery walkway) | 9. 02 level         | 17. 2nd deck control panel                   |
| 2. Call signal station                    | 10. 02 level        | 18. 2nd deck aft elevator door               |
| 3. Elevator trunk                         | 11. 01 level        | 19. Main deck aft control panel              |
| 4. FLT DK hatch                           | 12. Main deck hatch | 20. Main deck aft elevator door              |
| 5. Flight deck                            | 13. Main deck       | 21. Elevator hoist motor magnetic controller |
| 6. Elevator platform                      | 14. 2nd deck        | 22. Elevator static control panel            |
| 7. Guide rail                             | 15. 3rd deck        | 23. Hoisting machine assembly                |
| 8. 03 level                               | 16. Shock absorber  | 24. Machine space                            |

Figure 11-13.—Typical upper-stage, wire-rope, weapons elevator.

below the main hoisting sheaves. An arrangement of hoisting and idler sheaves in the upper end of the elevator trunk allows the platform to be raised flush with the flight deck. Safety devices of upper-stage elevators are essentially identical to those for lower-stage elevators.

Control equipment for upper-stage elevators are essentially identical to those for lower-stage elevators. Operator control panels are located at each station served.

### **Weapons Elevator Maintenance and Safety**

The weapons department is responsible for maintaining all weapons elevators aboard aircraft carriers. As an AO, you will perform preventive maintenance and repair elevator systems. The IWHS elevators are located close to the 5,500-pound elevators. Consequently, the same personnel are required to operate, maintain, and troubleshoot both types of elevators, even though they differ significantly in design and level of sophistication.

Although the primary responsibility of elevator maintenance rests with the AO, some maintenance procedures require the assistance of personnel within other ratings, such as Machinist Mate (MM) and Electricians Mate (EM). When this requirement exists, it is noted on the PMS card.

All electrical power requirements for the weapons handling system come from the ship's service 440-volt, three-phase, 60-hertz power supplied throughout the system. Ship's service power is converted to other ac and dc voltages by either the controllers or control panels to meet system equipment requirements.

For the safety of maintenance personnel, the tag-out and tag-in system has been established. The steps within this system are standardized throughout the Navy. You should comply with your ship's tag-out procedures to ensure safety.

Ship's service sound-powered telephones are located at each operator control station. They are used to supplement weapons handling system control indicators and coordinate operations between various deck levels. An elevator must not be dispatched from one deck to another until communications between the sending operator and receiving operator have been established.

In addition to OJT, most commands require that all personnel operating elevators possess a valid operator's license. The license should reflect the type(s) of

elevator(s) the individual is authorized to operate. For example, an operator may be authorized to operate all elevator systems at any control station, or an individual with less training may only be authorized to operate the 5,500-pound elevator systems at any station except the 2nd deck main control station.

### **REVIEW NUMBER 3**

- Q1. What decks are serviced by lower-stage elevators?*
- Q2. What device is used to bridge the gap in the door opening between an elevator platform and the deck?*
- Q3. If an elevator suspension rope breaks, what mechanism automatically operates to lock the platform to the guide rails?*
- Q4. If an elevator over travels upward beyond the maximum up-stage position, what device actuates, stopping the elevator and shutting off power to the hoisting winch?*
- Q5. Upper-stage elevators are used \_\_\_\_\_.*
- Q6. What decks are serviced by IWHS lower-stage elevators?*
- Q7. The platform machinery for an IWHS lower-stage elevator is located on the \_\_\_\_\_ deck.*
- Q8. The only weapons elevators that provide access to the flight deck are the \_\_\_\_\_.*
- Q9. The primary responsibility for maintaining weapons elevators belongs to the \_\_\_\_\_ rate.*
- Q10. What electrical power is required to operate the weapons elevators?*

### **WEAPONS MOVEMENT**

The movement of ammunition consists of routine operations such as intramagazine movement and movement of weapons and components in support of flight operations. It may also consist of major evolutions, such as ship rearmament or major loading and off-loading operations. Regardless of the size of the operation, anytime weapons or explosives are removed from their proper stowage environment, the opportunity for the occurrence of an ordnance mishap is much greater. Therefore, one of the most important

factors of any ordnance evolution is preplanning. Additionally, a safety-first attitude must be paramount.

### **Weapons Movement in Support of Flight Operations**

To enable squadron personnel to meet the short turnaround time of the flight schedule requirements, weapons must be preassembled and located in staging areas on the hangar deck with sufficient lead-time.

The area of the hangar deck that is to be used as a weapons staging area must be coordinated with the hangar-deck officer. The weapons can't interfere with the movement of aircraft or obstruct fire lanes, but they must be positioned so they are protected by the hangar-bay sprinkler system. This area should be located as close as possible to the aircraft elevator doors to provide a means for jettisoning the weapons overboard in the event of an emergency. Anytime live ordnance is staged on the hangar deck, a security watch must be posted to restrict the area to authorized personnel only and to initiate movement of the weapons in case of an emergency.

The weapons staging area on the flight deck is located outboard of the island structure and inboard of the catwalk or deck edge for aircraft carriers and behind the island on LHA and LND amphibious class ships. This area is commonly called the "bomb farm." Anytime live ordnance is present, this area is manned by the bomb-farm watch. Bomb-farm watch personnel maintain direct communication with the aviation ordnance control station (AOCS). In addition to security of the ordnance, the bomb-farm watch issues ordnance to squadron personnel according to the ship's ordnance load plan.

The bomb-farm staging area also incorporates an emergency jettison ramp. The emergency jettison ramp, when in the rigged position (down), forms a ramp from the flight deck edge to an opening in the outboard bulkhead of the catwalk. This provides a path for jettisoning weapons overboard during an emergency. Additionally, jettison ramps are located fore and aft on the port and starboard sides of the flight deck so aircraft loading crews during an emergency can jettison weapons. Be careful when the emergency jettison ramps are rigged; they bypass the catwalk and safety net. When the ramps are in the stowed (raised) position, they form part of the catwalk structure.

The bomb farm is routinely replenished with weapons from the hangar deck staging area between the launch and recovery of aircraft. The weapons are

transported from the hangar deck to the flight deck by the upper-stage weapons elevators or deck-edge aircraft elevators.

### **Weapons Onload/Offload**

There are three situations in which weapons onload or offload operations are normally conducted—pier side, offshore at anchorage, or at sea. The location of the ship during onloads or offloads operations affects manpower, equipment, time, and the degree of safety requirements.

**PIER SIDE.**—Handling large quantities of explosive munitions at piers is limited to those designated by NAVSEASYSKOM as "explosive piers." The pier area is restricted during ammunition and explosive loading and offloading operations. Nonessential personnel (visitors) aren't permitted access to the ship or pier area. All privately owned vehicles, ship's vehicles, and assigned government transportation are prohibited on a pier where ammunition is being handled. Before loading or offloading operations, the OOD is notified. The OOD makes sure that a red flag is prominently displayed to indicate that an ordnance evolution is in progress.

Pier-side ammunition handling operations are restricted to daylight hours, except in an emergency. Emergency operations can only be carried out at an adequately lighted pier. An emergency may be dictated by the ship's sailing schedule or by NAVSEASYSKOM. Therefore, ammunition isn't staged on the pier in large quantities. Close coordination is established between the ship's weapons department and the station's weapons department to ensure that the rate of delivery at the pier doesn't exceed the handling rate of the ship's ordnancemen.

### **REVIEW NUMBER 3 ANSWERS**

- A1. *Lower-stage elevators service the 2nd through 7th decks.*
- A2. *A movable ramp is used to bridge the gap in the door opening between an elevator platform and the deck.*
- A3. *If an elevator suspension rope breaks, a broken-rope safety device automatically operates to lock the platform to the guide rails.*
- A4. *If an elevator over travels upward beyond the maximum up-stage position, an over travel*

*limit switch actuates, stopping the elevator and shutting off power to the hoisting winch.*

- A5. *Upper-stage elevators are used to transport weapons between the 2nd and main decks.*
- A6. *IWHS lower-stage elevators service the 7th through the main decks.*
- A7. *The platform machinery for an IWHS lower-stage elevator is located on the 3rd deck.*
- A8. *The only weapons elevators that provide access to the flight deck are the upper-stage, wire-rope elevators.*
- A9. *The primary responsibility for maintaining weapons elevators belongs to the AO rate.*
- A10. *The electrical power required to operate the weapons elevators is 440-volt, three-phase, 60-Hz power.*

**EXPLOSIVE ANCHORAGE.**—At times, loading or offloading large quantities of ammunition and explosives at the pier is not practical or feasible. For example, a ship may be located at a pier that has a restricted explosive load limit due to the geographical location of other ships or occupied structures. It could also be due to the geographical location of shore-based, ammunition handling facilities. For example, an aircraft carrier may be docked in Norfolk, Virginia, and the activity receiving or issuing the ammunition may be located in Charleston, South Carolina. In this situation, the most practical method would be to locate the aircraft carrier at a designated explosive anchorage (commonly called whiskey anchorage) and transport the ordnance by lighters and/or barges. The transfer of ammunition between the ship and the lighters/barges is normally accomplished by the use of a floating crane.

Even though a ship is located at an explosive anchorage, transferring ammunition is restricted to daylight hours. Normally, the ship remains at anchorage until the entire evolution is completed, which may vary from 1 to 5 days.

**TRANSFER OF AMMUNITION AT SEA.**—The transfer of ammunition at sea (underway) presents problems not met by pier-side or anchorage operations. Normally, replenishment at sea involves the transfer of fuel, supplies, stores, and ammunition simultaneously. Obviously, available deck space, available handling equipment, and manpower are used to the maximum efficiency. Every detail of the entire operation is preplanned and coordinated between the departments

involved within the ship and the individuals within the departments.

Conventional replenishment (CONREP) and/or vertical replenishment (VERTREP) methods at sea accomplish the transfer of ammunition. The CONREP method consists basically of a steel cable rigged between the supply ship and the receiving ship at the hangar-deck level. These points of contact are called "conning stations," and there may be more than one conning station in operation at the same time. Cargo is attached to the cable by using approved handling equipment and conveyed from one ship to the other. The AO is only responsible for ammunition items. You position each ammunition load at the conning station for transfer. As the ammunition loads are received at the conning station, you move the load to a designated staging area until it is struck below. The ship's deck department normally performs the operation of conning equipment.

In the VERTREP method, helicopters using slings and/or cargo nets transfer the ammunition to or from the supply ship. VERTREP operations are conducted on the flight deck. Aviation Ordnancemen are responsible for handling all ammunition and preparing and positioning empty slings and ammunition details for transfer to the supply ship. Ammunition is transferred from the flight deck to the hangar deck by a designated aircraft elevator. This elevator is normally on the port side when CONREP and VERTREP operations are being conducted simultaneously.

#### REVIEW NUMBER 4

- Q1. *The weapons staging area on the flight deck, located between the island and the starboard catwalks, is known as the \_\_\_\_\_.*
- Q2. *Under what conditions is a pier-side weapons movement of ammunition loaded onto an aircraft carrier?*
- Q3. *List the methods used to transfer ammunition at sea.*
- Q4. *When VERTREP is being used to transfer ammunition between ships, transfer is accomplished by \_\_\_\_\_.*

#### HAZARDS OF ELECTROMAGNETIC RADIATION TO ORDNANCE (HERO)

LEARNING OBJECTIVE: *Recognize HERO classification standards. Identify HERO*



*hazards. Identify the uses of the emission control (EMCON) bill.*

The functional characteristics of electrically initiated ordnance cause hazards of electromagnetic radiation to ordnance (HERO). Ordnance that presents a HERO problem includes cartridges, cartridge-actuated devices, and 20-mm ammunition. The ordnance electroexplosive devices (EEDs) may be accidentally initiated or their performance degraded by exposure to radio frequency (RF) environments. Ordnance is more susceptible to RF environments during assembly, disassembly, handling, loading, and unloading operations.

The term *RADHAZ* (radiation hazards) applies to radio frequency (RF) electromagnetic fields of sufficient intensity to

- produce harmful biological effects in humans, and/or
- cause spark ignition of volatile combustibles or actuate electroexplosive devices.

Although the effects of RADHAZ are important, this chapter limits discussion to HERO hazards.

## **HERO ORDNANCE CLASSIFICATIONS**

A testing program sponsored by the Naval Sea Systems Command (NAVSEASYS COM) determines the susceptibility of ordnance to RF environments. Tests are conducted in the maximum RF environment the ammunition or ordnance systems may be subjected to in its stockpile-to-launch sequence. This data is the basis for the three HERO classifications assigned to ordnance—HERO-safe ordnance, HERO-susceptible ordnance, and HERO-unsafe ordnance.

### **HERO-Safe Ordnance**

An ordnance item is classified as **HERO safe** if it meets the following criteria:

- Percussion initiated.
- Sufficiently shield protected so all EEDs contained by the item are immune to adverse effects (safe and/or reliable) when the item is used in its expected RF environments.
- General HERO requirements are observed.

### **HERO-Susceptible Ordnance**

An ordnance item is classified as HERO susceptible if proved (by tests) to contain EEDs. HERO-susceptible ordnance can be adversely affected by RF energy. The safety and/or reliability of the system is in jeopardy when the system is used in its expected RF environments.

### **HERO-Unsafe Ordnance**

An ordnance item is classified as **HERO unsafe** if it meets the following criteria:

- Its internal wiring is physically exposed.
- Tests are being conducted on the item that result in additional electrical connections to the item.
- EEDs that have exposed wire leads are handled or loaded.
- The item is being assembled or disassembled.
- It is disassembled.

## **REVIEW NUMBER 4 ANSWERS**

- A1. *The weapons staging area on the flight deck located between the island and the starboard catwalks is known as the bomb farm.*
- A2. *A pier-side weapons movement of ammunition loaded onto an aircraft carrier is authorized in emergency situations when authorized by NAVSEASYS COM or to conform to the ship's sailing schedule.*
- A3. *Conventional replenishment (CONREP) and vertical replenishment (VERTREP) are used to transfer ammunition at sea.*
- A4. *When VERTREP is being used to transfer ammunition between ships, helicopters using slings or cargo nets accomplish transfer.*

## **HERO EMISSION CONTROL (EMCON) BILL**

Ordnance items classified as **HERO unsafe** are protected from electromagnetic radiation by putting them in a completely enclosed all-metal container.

**NOTE:** Ordnance in a wooden or plastic container or on a metal pallet is as exposed as if the container or pallet were not there.

**HERO-unsafe** ordnance should NEVER be exposed to a RF environment. However, the requirement for assembly, disassembly, handling, loading, and unloading exposes ordnance to some degree. If exposure cannot be avoided, ordnance should be exposed only in essentially RF-free designated regions, such as below deck or in RF-shielded buildings.

The commanding officer is responsible for making sure that **HERO-unsafe** ordnance is not handled in RF environments. Sometimes operational commitments require **HERO-unsafe** ordnance to be exposed to RF environments, such as the flight deck, hangar deck, or weather decks. A degree of relief from HERO RF restrictions is obtained by following the command HERO EMCON bill.

The HERO EMCON bill depends upon two factors—(1) the amount and type of ordnance that is involved, and (2) a knowledge of the RF environment at locations where presence, handling, and loading occur.

The HERO EMCON bill contains a list of all **HERO-susceptible** and **HERO-unsafe** ordnance items on board and their allowable RF environmental levels. It also includes a list of all transmitter-antenna combinations on board and their output power. Reducing or securing certain transmitter-antenna combinations can maintain allowable RF environmental levels.

Normally, to ensure that proper conditions are met in a given ordnance-handling situation, two actions are taken:

1. All onboard transmitters are listed.
2. The action each operator is to take when a given HERO EMCON condition is set.

For example, in HERO condition 1, a transmitter operator may switch the transmitter to STANDBY. In HERO condition 2, the same operator may restrict transmission to 100 watts, or perhaps there is no transmission restriction at all.

The AO is the most important factor in avoiding a **HERO-unsafe** situation. You determine if an ordnance item is **HERO safe**, **HERO susceptible**, or **HERO unsafe**. Before moving a **HERO-unsafe** item from a RF-free environment, you must request, through strike operations or ordnance control, the proper HERO condition. You make sure that the ordnance item remains in a RF-free environment until the word has

been passed that the proper HERO condition has been set.

For detailed information concerning all aspects of electromagnetic radiation hazards, refer to *Electromagnetic Radiation Hazards*, NAVSEA OP 3565/NAVAIR 16-1-529, volumes I and II.

### REVIEW NUMBER 5

- Q1. *List the three HERO ordnance classifications.*
- Q2. *Ordnance is HERO safe if it meets what criteria?*
- Q3. *Name the environment to which HERO-susceptible and HERO-unsafe ordnance should not be exposed.*
- Q4. *What is the HERO EMCON bill?*
- Q5. *What information can you find in the local HERO EMCON bill?*

### SAFETY PRECAUTIONS

LEARNING OBJECTIVE: *Recognize the importance of safety precautions when working with ordnance.*

Preplanning, ordnance training, and carefully handling ordnance prevent accidents caused by explosives. The phrase "The life you save may be your own" is a good one, especially when you handle ordnance. It is your responsibility to make sure those safe, approved practices and procedures are used when you handle ordnance.

### REVIEW NUMBER 5 ANSWERS

- A1. *The three HERO ordnance classifications are HERO safe, HERO susceptible, and HERO unsafe.*
- A2. *HERO-safe ordnance must be percussion initiated and shielded enough so that EDDs are safe when used in RF environments.*
- A3. *HERO-susceptible and HERO-unsafe ordnance should not be exposed to RF environments.*
- A4. *The HERO EMCON Bill contains a degree of relief from HERO RF restrictions.*
- A5. *The HERO EMCON Bill contains a list of all HERO-susceptible and HERO-unsafe ordnance items on board the command.*

## CHAPTER 12

# AMMUNITION STORAGE AND HANDLING ASHORE

Ammunition storage ashore applies to the storage of explosives, ammunition, and ammunition components in two different types of environments and operational conditions. When ammunition is stored at permanently established storage locations, such as naval air stations, naval stations, or other ammunition activities, extensive safety and procedural requirements exist. However, strategic operations may necessitate the establishment of ammunition storage facilities at advanced bases. Although governing regulations exist for the storage of ammunition at advanced bases, they are not as extensive as those governing permanent storage requirements and regulations. The following text covers ammunition storage ashore and ammunition storage ashore for advanced bases.

### AMMUNITION STORAGE ASHORE

**LEARNING OBJECTIVE:** *Identify ammunition magazines used ashore. Recognize the explosive safety quantity-distance (ESQD) requirements. Recognize the hazards posed by various classes of ammunition. Identify storage capability groups and their use. Identify the facilities used to store ammunition at advanced bases.*

All units of the Naval Shore and Marine Corps Establishments that produce, store, ship, or otherwise handle ammunition, explosives, and other hazardous materials are under the management and control of NAVSEASYSKOM. Also, NAVSEASYSKOM manages and controls the technical aspects of assembling, maintaining, storing, issuing, shipping, and handling ammunition, explosives, or other hazardous materials.

### AMMUNITION IDENTIFICATION

Ammunition identification is an important part of ordnance handling and administration. Ammunition identification tells you the service/nonservice type of ammunition, class of explosive contained in the round, Mark (Mk) and modification (Mod) numbers, lot numbers, and color codes representing the explosive hazards.

### Service Ammunition

Ammunition intended for operational use is classified as service ammunition. The warhead contains explosives, pyrotechnics, or chemical agent filler. If required, the propellant is of service or reduced charge weight. Aircraft service ammunition is identified as either armament (kill stores) or ordnance (search stores).

### Nonservice Ammunition

Ammunition used for training personnel is classified as nonservice ammunition. This ammunition may be actual service (tactical) quality or may be specially modified or loaded practice ammunition, inert training, inert dummy/drill, or exercise/recoverable ammunition.

#### **PRACTICE/TRAINING AMMUNITION.—**

This ammunition is designed for training, practice, or systems testing purposes. It is actually launched, fired, or dropped. It may be a modification of service ammunition designed specifically for practice. Practice ammunition may or may not contain explosive or pyrotechnic materials. Practice ammunition may be either expendable or recoverable, depending upon the device involved.

#### **DUMMY DRILL/INERT AMMUNITION.—**

This ammunition is completely inert ammunition. It is used to represent the service ammunition for display purposes, testing weapons, and weapons handling operations. It is also used to develop assembly, testing, and handling proficiency of personnel without actually firing or launching the ammunition.

#### **EXERCISE/RECOVERABLE AMMUNITION.—**

This is service ammunition that is functional in all respects **except** for the explosive payload. The payload furnishes operational data by the substitution of recoverable exercise components. Pyrotechnics, dye marker, or explosive fittings may be attached to or incorporated in the ammunition.

**Table 12-1.—Ammunition Color Codes**

<b>COLOR</b>	<b>INTERPRETATION</b>
Yellow	(1) Identifies high explosives. (2) Indicates the presence of explosive, either, (a) sufficient to cause the ammunition to function as a high explosive, or (b) particularly hazardous to the user.
Brown	(1) Identifies rocket motors. (2) Indicates the presence of explosive, either, (a) sufficient to cause the ammunition to function as a low explosive, or (b) particularly hazardous to the user.
*Gray	(1) Identifies ammunition that contains irritant or toxic agents when used as an overall body color except for underwater ordnance.
Gray with Red Band(s)	(1) Indicates the ammunition contains an irritant (harassing) agent.
Gray with Dark Green Band(s)	(1) Indicates the ammunition contains a toxic agent.
*Black	(1) Identifies armor-defeating ammunition, except on underwater ordnance.
Silver/Aluminum	(1) Identifies countermeasure ammunition.
Light Green	(1) Identifies smoke or marker ammunition.
Light Red	(1) Identifies incendiary ammunition or indicates the presence of highly flammable material.
*White	(1) Indicates illuminating ammunition or ammunition producing a colored light; exceptions, underwater ordnance, guided missiles, and rocket motors.
Light Blue	(1) Identifies ammunition used for training or firing practice.
*Orange	(1) Identifies ammunition used for tracking or recovery.
Bronze	(1) Identifies Dummy/Drill/Inert ammunition used for handling and loading training.
<b>Nonsignificant Colors</b>	
Olive Drab	(1) All ammunition items.
Black	(1) For lettering.
White	(1) For lettering. (2) For guided missiles and rocket motors.
<p>*NOTES: The following colors when applied as stated have NO identification color coding significance:</p> <ul style="list-style-type: none"> <li>a. The colors GRAY, ORANGE, BLACK, WHITE, BRICK RED OR GREEN on underwater ordnance, such as mines and torpedoes, and the color WHITE on guided missiles or rocket motors.</li> <li>b. The colors BLACK and WHITE when used for lettering.</li> <li>c. The color WHITE when used in diamond shaped figures on ammunition.</li> </ul>	

## Painting

Painting (table 12-1) is the application of the final body coating to ammunition, ammunition components, or ammunition containers by authorized activities. Usually, paint color identifies the use or explosive hazards of the ammunition; however, sometimes it has no meaning.

## Marking

Marking is the application of colored spots, bands, or symbols on ammunition, ammunition components, or ammunition containers. Markings, by their color or shape, identify ammunition fillers or the presence of specific ammunition components.

Chemical filler ammunition, ammunition components, and ammunition containers are identified by bands that are color-coded (table 12-1). Marking symbols placed on a line parallel to the colored bands identifies chemical fillers.

## Lettering

Lettering is the use of letters, words, abbreviations, or numerals on ammunition, ammunition components, or ammunition containers. Lettering is put on ammunition by die stamping, stenciling, decals, etching, or rubber-stamping. Lettering identifies the type, mark and modification, ammunition lot number, and loading information of the ammunition item. Lettering applied in black or white has no color-code significance.

## Mark and Modification Designation

The Mk number is an Arabic numeral and represents a basic design. A modification (Mod) number to represent a less than major change in design follows it. For example, the mark/modification number assigned to a general-purpose bomb without a change to the basic design is Mk 82 Mod O. If a minor change to the basic design is incorporated, it is designated as Mk 82 Mod 1. If further changes are incorporated, the

modification designations are assigned in sequence, Mod 2, Mod 3, Mod 4, and so forth.

Some explosive devices and ordnance or armament (such as cluster weapons and bomblets used in cluster weapons) are designated by groups of letters and numbers. An example of this type designation is BLU-7A/B (table 12-2).

U.S. Army ammunition retains the Army identifier that uses a letter, numeral, and letter and numeral system. For example, the model is designated M23. The first modification of this model is designated M23A1, and subsequent modifications are designated by M23A2, M23A3, etc. If the Navy and Army jointly developed an item, the letters AN (Army/Navy) precedes the model identifying designation. For example, a model is designated AN-M173. The first modification of this model is designated AN-M173A1. Later modifications are designated as AN-M173A2, AN-M173A3, etc.

## Department of Defense Identification Code (DODIC) and Navy Ammunition Logistic Code (NALC)

The Department of Defense Identification Code (DODIC) is a four-digit code assigned by the Defense Logistics Services Center (DLSC). It identifies ammunition and explosive items (non-nuclear) within the supply system applicable to all the armed forces. The Navy Ammunition Logistic Code (NALC) is a four-digit code assigned by Ships Parts Control Center (SPCC). It identifies Navy-unique items of ordnance.

The DODIC and NALC are interchangeable terms and are included as part of the letter identification contained on ammunition and ammunition components. These codes are used specifically for logistic control and ammunition administration.

If an ammunition item or ammunition component has been modified, a DODIC/NALC code is assigned to the modified item. For example, Mk 105 Mod O is assigned code A811 and Mk 105 Mod 1 is assigned code A894. A complete listing of DODICs and NALCs

Table 12-2.—Item Identification Designations for Cluster Munitions

Bomb or Mine	BLU
Seventh Model and First Modification	7A
Unit Must Be Expended on Mission	/B

is contained in *Navy Ammunition Logistics Codes*, NAVAIR 11-1-116B/TW010-AA-ORD-030.

**Ammunition Lot Number**

An *ammunition lot* is a quantity of ammunition assembled from uniform components under similar

conditions. A lot is expected to function in a uniform manner. Each ammunition lot (table 12-3) is assigned a code number (ammunition lot number) that identifies **all** ammunition items assembled as part of that lot. For specific ammunition lot numbers, you should refer to *Identification of Ammunition*, NAVSEA SW010-AF-ORD-010/NAVAIR 11-1-117.

**Table 12-3.—Derivation of Lot Number**

KEY	DEFINITION
a	Lot sequence number
b	Manufacturer's identification symbol
c	Month of production (two digit)
d	Year of production (two digit)
e	Month of production (single alpha)  JAN—A    MAY—E    SEP—J FEB—B    JUN—F    OCT—K MAR—C    JUL—G    NOV—L APR—D    AUG—H    DEC—M
f	Interfix number
g	Lot suffix (alpha)
<p>Example:</p> <p>Lot Number,            Method 1:    11        ABC        0588            Key:        (a)        (b)        (c)(d)</p> <p>(Note that (c) and (d) will be used to compute service life.)</p> <p>Example:</p> <p>Lot Number,            Method 2:    XYE        88        E        001-011A            Key:        (b)        (d)        (e)        (f)(a)(g)</p> <p>(Note that (d) and (e) will be used to compute service life.)</p>	

## MAGAZINES

Explosives and ammunition are stowed in magazines or areas designated for the specific materials. NAVSEASYS COM designs and designates all magazines or storage areas. The type and amount of material that may be stowed in any magazine depends on the type of magazine in relation to the explosive safety quantity-distance requirements.

### Types of Magazines

Magazines located at naval air stations and other naval installations are of various sizes, types of construction, and classes, depending upon the nature of the material to be stowed. Magazines are designated as high-explosive magazines, smokeless-powder magazines, and ready-service magazines according to their intended use. Magazines are further classified by type of design—surface, subsurface, arch-type, earth-covered, or barricaded.

Recently designed magazines used to store smokeless powder, pyrotechnics, loaded projectiles, fixed ammunition, small-arms ammunition, and other fire or missile hazard materials are of two general types—the rectangular, earth-covered magazine and the concrete, triple-arch, earth-covered magazine.

1. The rectangular, earth-covered magazine (50 feet by 100 feet) is constructed of reinforced concrete throughout.
2. The concrete, triple-arch, earth-covered magazine has three arches. The combined arches make up a single magazine; however, each arch is separated by a minimum of 10 feet at the door, and the space is filled with dirt. The standard floor size of each arch in the triple-arch construction is 25 feet by 80 feet. Each of the three arches may be used for a different type of compatible material.

Magazines constructed since 1928 that are used for storing high explosive, bomb-type ammunition, and other explosive hazard materials are made of reinforced concrete, single-arch, earth-covered type construction and they are barricaded at the entrance end. These magazines have been constructed in three sizes:

1. The 25 feet by 50 feet and the 25 feet by 40 feet sizes are suitable for the stowage of 250,000 pounds net weight of explosives.

2. The 25 feet by 80 feet size is suitable for the stowage of 500,000 pounds net weight of explosives.

Additionally, the following miscellaneous types of magazines may be found at certain establishments.

**KEYPORT** - The keyport magazine is earth-covered and arch-shaped with a prefabricated concrete construction. It has interior floor dimensions of 6 feet by 8 feet 8 inches. The height of the arch is approximately 6 feet.

**BOX** - A box magazine is of concrete construction, rectangular shape, and normally measures 12 feet by 17 feet.

**CORBETTA** - A corbetta magazine is of concrete construction and is shaped like a beehive or dome.

**GALLERY** - A gallery magazine is a tunnel or cave, and the dimensions will vary.

**MISCELLANEOUS OR NONSTANDARD** - The physical dimensions of the miscellaneous or nonstandard magazine depend on the type of stowed material and the location of the magazine.

**OPEN STORAGE** - The type and amount of explosives stowed in open stowage depend on the size and location of the storage area.

### Explosive Safety Quantity-Distance (ESQD) Requirements

Explosive Safety Quantity Distance (ESQD) requirements apply to the concentration of ammunition, explosives, and other hazardous materials at Naval Shore Establishments for development; manufacturing; test and maintenance; storage, loading and off-loading of vehicles, railcars and aircraft; disposal; and all related handling incidents.

Explosive Safety Quantity Distance (ESQD) requirements are based on records of actual fires and explosions involving ammunition and explosives. ESQD requirements safeguard personnel against possible serious injury or equipment destruction from possible fires or explosions. These requirements also protect the inhabitants of nearby communities, private and public property, and the Naval Shore Establishment personnel. These requirements keep the loss of valuable ammunition stores (including inert ordnance items) to a minimum if there were a fire or explosion.

The Department of Defense (DOD) ESQD hazard classification system is based on a system recommended for international use by the United Nations Organization (UNO). The UNO system has nine classes of hazardous material; but, DOD only uses three of the nine classes—Class 1, explosives; Class 2, Division 3, poison A; and Class 6, poisonous (toxic) and infectious substances. Table 12-4 identifies each of the nine classes.

In reviewing table 12-4, you can see that some items are placed in classes other than Class 1. Since DOD uses only Class 1 items for explosives, Class 1 assignments have been made. However, to maintain identity, DOD places these items in Class 1 for storage only until DOD implements other classes. As an AO, you are involved with the storage of Class 1 material; therefore, the information contained in this section only deal with Class 1 classifications.

DOD Hazard Class 1 is subdivided into divisions 1 through 5, based on the character and predominance of the associated hazards and the potential for causing personnel casualties or property damage. These subdivision are not based upon compatibility groups or

intended use. The division within Class 1 and the expected hazard for each division is listed in table 12-5.

**MASS-DETONATING HAZARD MATERIALS (CLASS 1, DIVISION 1).**—Damage from mass-detonating hazard materials is caused by concussion or blast or by sympathetic detonation. Prescribed distances between piles of these materials and between magazines containing these materials must be maintained to minimize the possibility of sympathetic detonation or propagation. Ammunition and explosives that are considered mass-detonating hazards are Hazard Class 1, Division 1.

**NON-MASS-DETONATING HAZARD, FRAGMENT-PRODUCING MATERIALS (CLASS 1, DIVISION 2).**—The principal hazards for items within this division are fragment and blast, either individually or in combination, depending on such factors as storage configuration, type of packing, and quantity. The designated minimum distances are based upon the limited range of fragments. These are the distances that must be used for protection of inhabited buildings and public traffic routes. Since fragment-producing materials can be grouped according to the

**Table 12-4.—United Nations Organization Hazard Classes**

<b>CLASS</b>	<b>TYPE OF HAZARDOUS MATERIAL</b>
1	Ammunition and explosives, DOT Classes A, B, and C; Blasting Agents
2*	Compressed gases, flammable and nonflammable, Poison gases (Poison A)
3	Flammable liquids
4	Flammable solids or substances
5	Oxidizing materials
6*	Poisonous substances (Poison B); Irritating materials; Etiological agents
7	Radioactive materials
8	Corrosive materials
9	Miscellaneous dangerous substances (other regulated materials)
*Includes ammunition without explosive components which contain toxic chemical agents, and containers of toxic chemical agents in bulk. Formerly ESQD Class 8.	



Table 12-5.—Hazard Class 1 Division Designators and Types of Hazards

DIVISION DESIGNATOR	TYPE OF HAZARD
1	MASS DETONATING
2	NON-MASS DETONATING, FRAGMENT PRODUCING
3	MASS FIRE
4	MODERATE FIRE, NO BLAST
5	VERY INSENSITIVE

range of the fragments produced, four fragment distance categories have been established. This permits flexibility of storage. Most fragments produced by incidents in this division will fall within one of four specified minimum distances—400, 800, 1,200, and 1,800 feet.

**MASS FIRE HAZARD MATERIALS (CLASS 1, DIVISION 3).**—Items in this division burn vigorously. There is little or no possibility for extinguishing them in a storage situation. Normally, explosions will be confined to pressure ruptures of containers and will not produce propagating shock waves or damaging blast overpressure beyond specified distances. A severe fire may result from the tossing about of burning container materials, propellant, or other flaming debris. Toxic effects, such as burning pyrotechnic items, will not normally extend beyond the inhabited building distances specified for this division.

**MODERATE FIRE HAZARD, NO BLAST MATERIALS (CLASS 1, DIVISION 4).**—Items in this division present a fire hazard with no blast hazard and virtually no fragmentation or toxic hazard beyond the fire hazard clearance specified for high-risk materials. However, separate facilities for storage and handling of this division should not be less than 100 feet from other facilities. However, if the facilities are of fire-resistive construction, they may be 50 feet from each other. If devices containing explosives are such that accidental ignition during storage or transport will not cause external damage to the devices, either by fire, smoke, heat, loud noise, or by visible damage to the outer packaging, they are not considered Class 1 items. These devices may be considered inert for storage purposes and marked **AMMUNITION NON-EXPLOSIVE** for transport purposes.

Certain articles within the division that contain one ounce or less of explosives have (based on test results) been classified as Class 1, Division 4S. These articles may be considered inert for storage purposes, and they are not subject to explosive transportation regulations. Articles containing larger quantities of explosives, also classified as Class 1, Division 4S, may be considered inert for storage purposes. However, they must be reviewed on an individual basis to determine whether explosive transportation regulations are applicable.

**VERY INSENSITIVE EXPLOSIVE ITEM MATERIALS (CLASS 1, DIVISION 5).**—Items in this division are considered very insensitive when not stored or transported with other Class 1 materials. DOD considers these items to be the same as Class 1, Division 1, Compatibility Group D. There is very little probability of accidental explosion or transition from deflagration to detonation. The materials within this division are shipped as ESQD Hazard Class 1, Division 5. They are stored as Class 1, Division 1, Compatibility Group D.

Normally, technical manuals do not present the hazard class, division, and compatibility group as they are written in previous paragraphs. For example, an item classified as Class 1, Division 5, Compatibility Group D, is written as Class 1.5D; or for an item in Class 1, Division 4, Compatibility Group S is written as Class 1.4S.

### Storage Compatibility Groups

Ammunition and explosives are assigned to one of twelve storage compatibility groups (A through H, J, K, L, and S).

**GROUP A** - Group A items are initiating explosives. These are bulk initiating explosives that have the necessary sensitivity to heat, friction, or percussion to make them suitable for use as initiating elements in an explosive train. Wet lead oxide, wet lead styphnate, wet mercury fulminate, wet tetracene, dry RDX, and dry PETN are examples of initiating explosives.

**GROUP B** - Group B items are detonators and similar initiating devices. These are items containing explosives that are designed to initiate or continue the functioning of an explosive train. Detonators, blasting caps, small arms primers, and fuzes without two or more safing features are examples of Group B items.

**GROUP C** - Group C items are bulk solid propellants, propelling charges, devices containing propellant with or without a means of ignition, and items that will deflagrate, explode or detonate upon initiation. Examples of Group C items are single-, double-, and triple-base propellants, composite propellants, rocket motors (solid propellant), and ammunition with inert projectiles.

**GROUP D** - Group D items are secondary detonating explosive substances or black powder or articles containing a secondary detonating explosive substance, in each case without means of initiation and without a propelling charge, or articles containing a primary explosive substance and containing two or more effective protective features. Examples of these items are explosive switches or valves, and other ammunition items packaged to meet the criteria established for this group.

**GROUP E** - Group E items are ammunition that contains HE without its own means of initiation with a propulsive charge (other than one containing a flammable or hypergolic liquid). Examples of these items are artillery ammunition, rockets, and guided missiles.

**GROUP F** - Group F items are articles containing a secondary detonating explosive substance with its means of initiation, with a propelling charge (other than one containing flammable liquid or hypergolic liquid) or without a propelling charge. Examples are items initiated by means of a bouchon-firing device, grenades, sounding devices, and similar items that have an in-line explosive train in the initiator.

**GROUP G** - Group G items is fireworks, and illuminating, incendiary, smoke (including HC) or tear-producing munitions other than those munitions that are water activated or contain white phosphorus,

flammable liquid or gel. This group includes ammunition that, upon functioning, results in an incendiary, illumination, lachrymatory, smoke, or sound effect. Examples of these items are flares, signals, incendiary or illuminating ammunition, and other smoke or tear-producing devices.

**GROUP H** - Group H items contains explosives and white phosphorus or other pyrophoric material. Ammunition in this group contains filler, which is spontaneously flammable when exposed to the atmosphere. Examples of these items are white phosphorus (WP), white phosphorus plasticized (PWP), or other ammunition containing pyrophoric material.

**GROUP J** - Ammunition in this group contains both explosives and flammable liquids or gels. This ammunition contains flammable liquids or gels other than those that are spontaneously flammable when exposed to water or to the atmosphere. Examples of these items are liquid- or gel-filled incendiary ammunition, fuel air explosive (FAE) devices, flammable-fueled missiles and torpedoes.

**GROUP K** - Ammunition in group K contains both explosives and toxic chemical agents. Ammunition in this group contains chemicals specifically designed for incapacitating effects that are more severe than lachrymation. Examples of these items are artillery or mortar ammunition (fuzed or unfuzed), grenades, and rockets or bombs filled with a lethal or incapacitating chemical agent.

**GROUP L** - Ammunition in-group L is not included in other compatibility groups. Ammunition in this group has characteristics that don't permit storage with other types of ammunition, explosives, or dissimilar ammunition within this group. Examples of these items are water-activated devices, prepackaged hypergolic liquid-fueled rocket engines, certain fuel-air-explosive (FAE) devices, TPA (thickened TEA), and damaged or suspect ammunition of any other group. Types of ammunition having similar hazards can be stored together but cannot be mixed with other groups.

**GROUP S** - Ammunition in this group presents no significant hazard. It is designed or packed so all the accidental functioning hazards are confined within the package, unless the package has been degraded by fire. In this case, all blast or projection effects are limited to the extent they will not significantly hinder fire-fighting operations. Examples of these items are thermal batteries, explosive switches or valves, and other

ammunition items that are packaged to meet the criteria established for this group.

Ammunition and explosives are assigned to compatibility groups. When stored within their assigned group, ammunition and explosives can be stored together without significantly increasing either

the probability of an accident or, for a given quantity, the magnitude of the effects of such an accident. The mixing of storage compatibility groups is permitted by NAVSEASYSKOM, as shown in figure 12-1. The mixing of storage compatibility groups other than those shown in figure 12-1 must be approved by NAVSEASYSKOM.

GROUPS	A	B	C	D	E	F	G	H	J	K	L	S
A	X	Z										Z
B	Z	X										X
C			X	Z	Z		Z					X
D			Z	X	X							X
E			Z	X	X							X
F						X						X
G			Z				X					X
H								X				X
J									X			X
K										Z		
L												
S	Z	X	X	X	X	X	X	X	X			X

NOTES:

- The marking "X" at an intersection of the above chart indicates that these groups may be combined in storage. Otherwise, mixing is either prohibited or restricted per note 2 below.
- The marking "Z" at an intersection of the above chart indicates that, when warranted by operational considerations or magazine non-availability, and when safety is not sacrificed, logical mixed storage of limited quantities of some items of different groups may be combined in storage as approved by NAVSEASYSKOM. Approval is not to be considered a waiver. Combinations that violate the principles of paragraph 2-3.3 require justification by a waiver or exemption. Examples of acceptable combinations of Class 1 are:
  - Division 1, Group C bulk propellants with Division 1 bulk HE
  - Division 1, Group C rocket motors with Division 1, Group D bombs (HE) without their own means of initiation.
  - Group C rocket motors with Group E complete rocket systems having the same rocket motor.
  - Division 3 Group C bulk propellants or bagged propelling charges with Division 3, Group G pyrotechnics without their own means of initiation.
- Equal numbers of separately packaged components of complete rounds of any single type of ammunition may be stored together. When so stored, compatibility is that of the assembled round, i.e., WP filler in Group H, HE filler in groups D, E, or F, as appropriate.
- Ammunition designated "Practice" by NSN and nomenclature may be stored with the fully loaded ammunition it simulates.
- Mixing of compatibility groups (except items in groups A, B, & L) in limited quantities is authorized by NAVSEASYSKOM. Such mixed storage is not to exceed a total of 1,000 pounds net explosive weight and will be considered as the highest hazard division included.
- Group K requires not only separate storage from other groups, but may also require separate storage within the group. NAVSEASYSKOM shall determine which items in group K may be stored together and those which may be stored separately.
- Ammunition items without explosives which contain substances properly belonging to another hazard class may be assigned to the same compatibility group as items containing explosives and the same substance, and be stored with them.

17NP0323

Figure 12-1.—Storage compatibility mixture chart.

**Table 12-6.—Magazine Designators for Mass Detonating Hazard of High Explosives (Bulk, Depth Charges, Mines, Warheads, Bombs, etc.), Fuzes, Detonators, Exploders, and Black Powder**

<b>DIMENSIONS</b> (nominal)	<b>NORMAL USE</b>	<b>NORMAL EXPLOSIVE LIMIT</b>	<b>LETTER DESIGNATOR</b>
25' × 80' arch type (igloo)	High explosives	500,000 lb	A
25' × 50' arch type (igloo)	High explosives	250,000 lb	B
25' × 40' arch type (igloo)	High explosives	250,000 lb	B
39' × 44' or 32' × 44' (warhead type)	High explosives	500,000 lb	W
12' × 17' (box type)	Black powder	20,000 lb	E
Miscellaneous or nonstandard size	High explosives	Dependent upon size, location, construction	X
Open storage	High explosives	Dependent upon size, location	R
25' × 20' arch type (igloo)	Fuze and detonator	70,000 lb	F
52' dome (Corbetta type)	High explosives	500,000 lb	D
Dimensions vary (gallery or tunnel type)	High explosives	250,000 lb	G
10' × 14'	Fuze and detonator	15,000 lb	H
10' × 7'	Fuze and detonator	7,500 lb	H
6' × 8'8" (Keyport type)	High explosives	4,000 lb	K
52' × 97' (box type A)	High Explosives	500,000 lb	A
62' × 76' (box type B)	High Explosives	500,000 lb	A

## IDENTIFICATION OF FACILITIES

Buildings and magazines, including open storage sites that contain ammunition, explosives, or chemical and inert components, are marked according to a standard system of identification so you can rapidly identify the hazards associated with their contents. This identification and numbering system is used in addition to any other numbers on the buildings. **These standard identification markings are stamped out over other markings, if present.** The standard identification system consists of the magazine designator and the symbol indicator.

The magazine designator is a three-group symbol, composed of numbers and letters. It identifies a magazine by location of the magazine group, the number of the magazine within the group, and the type of magazine construction. The magazine group number, the type of magazine and capacity letter(s), and the magazine sequence number form the three-group symbol that makes up the magazine designator.

### Magazine Group Number

The magazine group number is the first number of the magazine designator symbol. It shows the magazine group in which the magazine is located. Each physically separated group of magazines or, at smaller stations, each noncontiguous magazine area is assigned a number, making it easy to identify the group. The group numbers begin with 1 and continue in ascending numerical order. If only one magazine group exists, the number 1 is used. For example, the numeral 4 in the first position of the magazine designator 4XTX4 indicates that this magazine is located within magazine group 4.

### Magazine Type and Capacity Letter(s)

The magazine type and capacity letter(s) shows the type and capacity of the magazine. For this reason, magazines of certain sizes are assigned a letter designation as indicated in tables 12-6, 12-7, 12-8, and 12-9. To show the type of magazine, for example, the letter T is added if the magazine is earth-covered and barricaded. If the magazine is earth-covered but not barricaded the letter C is added. If the magazine is not earth-covered but is barricaded, the letter S is added. Therefore, in the magazine designator 4XTX4, the letter X in the second position indicates that the magazine size is miscellaneous or nonstandard, and it is normally used for storing high explosives. Also, the

normal explosive storage limit depends on the magazine's size, location, and type of construction.

The explosive limits contained in tables 12-4 through 12-7 are maximum capacities. They are based on magazine design and construction characteristics. These limits are further subject to the ESQD considerations discussed previously. Additional limitations are shown in the magazine designator. When the ESQD relationship, as indicated in the tables, doesn't permit using the explosive capacity design of a standard magazine because of insufficient separating distances, the letter X, Y, or Z is added to the designator. These letters indicate the magazine contains mass detonation hazards, mass fire hazards, or fragment-producing hazards, respectively. For example, in the magazine designator 4XTX4, the letter X in the fourth position tells you that the magazine doesn't have a sufficient separating distance from other structures or magazines.

Before 1985, naval facilities used to store or maintain ammunition or explosives used a standard two-part system of identification—a color-hazard indicator and a magazine designator. **The color hazard indicator has been replaced by a system of fire, chemical hazard, and fire-fighting direction symbols.** When possible, mount placards at locations that are visible for a minimum distance of 500 feet in the daytime. Placards are placed on the road at distances of not less than 500 feet to indicate the magazine contents. This is required when vegetation or curves in the road obstruct visibility. When the contents of the magazine are changed or removed, the placards are also changed or removed. These placards are displayed to help fire fighters identify, from a safe distance, the type of hazards involved so they can determine the types of equipment and procedures to use.

### REVIEW NUMBER 1

- Q1. *Mandatory regulations governing the storage of ammunition ashore are found in \_\_\_\_\_.*
- Q2. *What prefabricated, concrete-constructed magazine is earth-covered and arch-shaped?*
- Q3. *What is the normal size of a box-type magazine?*
- Q4. *What concrete-constructed magazine is shaped like a beehive or dome?*
- Q5. *What magazine type consists of a tunnel or cave that has varied dimensions?*

**Table 12-7.—Magazine Designators for Fire Hazard of Powder (Bulk or Semifixed Ammunition), Pyrotechnics, Ignition Fuzes and Primers, Small Arms, Smoke Drums, and Explosive-Loaded Chemical Ammunition**

<b>DIMENSIONS</b> (nominal)	<b>NORMAL EXPLOSIVE LIMIT</b>	<b>LETTER DESIGNATOR</b>
50' × 100'	1,000,000 lb	L
25' × 80' triple-arch	1,000,000 lb	L
52' dome (Corbetta type)	1,000,000 lb	D
50' × 60'	300,000 lb	M
30' × 50'	125,000 lb	N
25' × 48'	125,000 lb	N
25' × 40'	125,000 lb	N
Miscellaneous or non-standard size	Dependent upon location, size, and construction	Y

**Table 12-8.—Magazine Designators for Fragment Hazard of Projectile and Fixed Ammunition**

<b>DIMENSIONS</b> (nominal)	<b>MAXIMUM EXPLOSIVE LIMIT</b>	<b>LETTER DESIGNATOR</b>
50' × 100'	500,000 lb	P
25' × 80' triple-arch	500,000 lb (total for three arches)	P
25' dome (Corbetta type)	500,000 lb	D
Miscellaneous or non-standard size	150,000 lb	Z

**Table 12-9.—Magazine Designators for Miscellaneous Magazines**

<b>DIMENSIONS</b> (nominal)	<b>TYPE</b>	<b>LETTER DESIGNATOR</b>
	All inert storehouses	SH

- Q6. What types of items are contained in storage compatibility Group B?
- Q7. Black powder belongs in compatibility storage group \_\_\_\_.
- Q8. What type of ammunition is found in compatibility Group S?
- Q9. The first number in a magazine designator symbol shows the \_\_\_\_\_.
- Q10. The letter T in the third position of a magazine designator indicates that the \_\_\_\_\_.

## AMMUNITION STORAGE ASHORE FOR ADVANCED BASES

**LEARNING OBJECTIVE:** *Identify ammunition storage ashore for advanced bases to include facilities, magazines, and handling requirements.*

*Advanced base* is the general term for a temporary base that is in or near a forward area outside the zone of the interior. The primary mission of an advanced base is to support wartime operations of the armed forces. Advanced bases are established to perform one or more of the following functions: to hold threatened strategic areas; to protect, or be part of, a line of communications and supply; to serve as a base for direct offensive operations; or to serve as a base for mounting or supporting further offensives.

If a valid reason for not complying with storage and handling regulations/instructions at advanced bases is not contained in NAVSEA OP 5, VOL 1, you need to refer to *Ammunition Ashore*, NAVSEA OP 5, VOL 3.

## AMMUNITION STORING AND HANDLING FACILITIES

When you establish an advanced base, divide the storing and handling facilities into areas. These areas should correspond to the functions required by the mission of the base, to make ordnance-handling operations easier and smoother, and to isolate hazards. Areas at advanced bases are designated as magazine, renovation, disposal, pier, enemy ammunition, and administration and personnel areas. These areas are discussed briefly in the following paragraphs.

**Magazine Areas.** Provide two or more magazine or storage areas for each advanced base. This allows you to disperse ammunition stows, and makes it easier to receive and issue ammunition. The primary objective in dispersing ammunition is to prevent the complete

loss of a single type of ammunition because of fire, accidental explosion, or hostile action. Ample provision should be made for expansion during the initial planning of magazine areas.

**Renovation Areas.** Some ammunition received at advanced bases would become unserviceable if it were improperly handled or exposed to the elements. This would make it require renovation. Since renovation operations may be performed at advanced bases, a suitable area must be provided for segregation, exterior maintenance, and modification operations.

**Disposal Areas.** Normally, an area unusable for other purposes is chosen for an ammunition disposal area. The disposal site should be **at least** 800 yards from the nearest ammunition storage site and any inhabited area of the base. The site should be cleared of all vegetation. A powder burning area, detonation pits, and a component popping pit should be included in the site. Provide a splinter proof or other suitable shelter to protect personnel during demolition operations. **Where facilities are available, ammunition may be destroyed by dumping at sea. Existing directives should be consulted for disposal procedures.**

**Pier Areas.** In the initial stages of construction of an ammunition storage area at an advanced base, an isolated and separate ammunition pier should be provided. Such a facility eliminates congestion, delay, and unnecessary hazards when loading and unloading general cargo, fuels, and ammunition.

**Enemy Ammunition Areas.** A separate area should be provided for storing captured enemy ammunition. This area should be **at least** 800 yards from the other storage areas.

**Administration and Personnel Areas.** Administration and personnel areas must be **at least** 800 yards from the ammunition storage and handling areas.

## Ammunition Storage Facilities

Ammunition is stored at advanced bases in approved magazines, existing buildings, and in dry caves and tunnels. Ammunition may also be stored in the open, in quarries, pits, and similar areas. Don't put ammunition in caves, tunnels, quarries, or pits if there isn't adequate drainage. When possible, assign available magazines and buildings for storing the more fragile and perishable ammunition, such as pyrotechnics, ammunition containing smokeless powder, fuzes, and similar components. Store the more

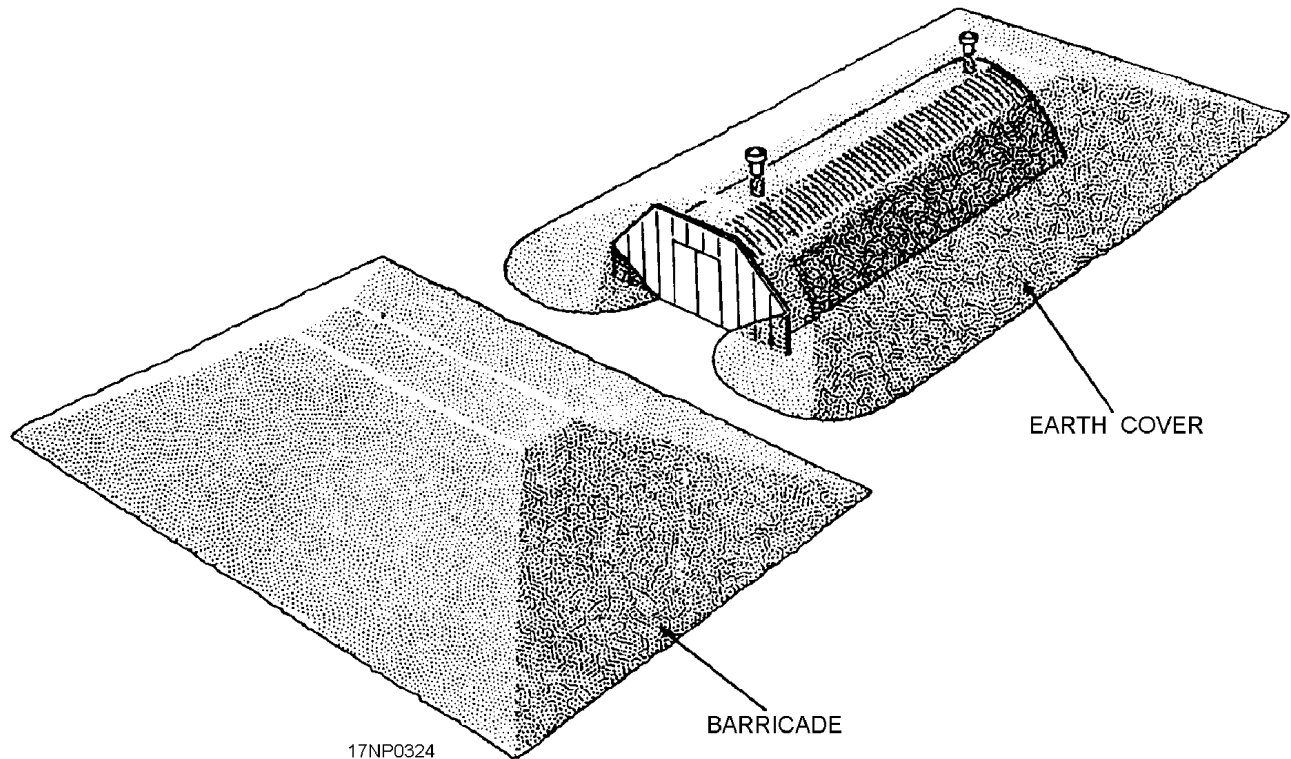


Figure 12-2.—Typical advanced base magazine.

durable ammunition, such as aircraft bombs and depth charges, in the open, provided it affords maximum protection against corrosion and deterioration.

**PREFABRICATED MAGAZINES.**—Advanced base magazines (fig. 12-2) are prefabricated, earth-covered, arch-type structures that are used to provide weatherproof storage for ammunition of all types.

The barrel of each advanced base magazine is an arch made of sheets of corrugated sheet metal bolted together to form a semicircular-arch roof. Two screened, sheet metal ventilators are mounted on top of the arch, one at the front of the magazine and one at the rear. The rear wall is constructed of corrugated sheet metal. The front wall is constructed of wide, heavy-gauge metal plates, which are reinforced with angles and channels. The front wall extends above and to each side of the outer limits of the magazine,

providing retaining walls for the earth fill. The ends of the plates that extend beyond the limits of the magazine are secured to the structure by turnbuckle rods. The magazine floor is a concrete slab placed on compacted gravel or broken stone fill. A pair of 8-foot, double-leaf doors is placed in the front wall of the magazine. Screened louvers are placed in each door for ventilation. Table 12-10 lists the available magazine sizes, maximum storage capacities, and the recommended separation distances between the magazines.

A barricade is placed opposite the front wall of each magazine used for the storage of high explosives or fuzes and detonators. The barricade extends to the height of the inside crown of the magazine arch. The barricade must be **at least** 3 feet wide at the crest and slope to a grade on the natural slope of the earth used as fill.

Table 12-10.—Prefabricated Advanced Base Magazines

MAGAZINE SIZE	MAXIMUM CAPACITY	QUANTITY-DISTANCE UNBARRICADED	QUANTITY-DISTANCE BARRICADED
16 × 36	50,000	200 feet	115 feet
25 × 48	150,000	290 feet	165 feet



**REVIEW NUMBER 1  
ANSWERS**

- A1. *Mandatory regulations governing the storage of ammunition ashore are found in OP 5 VOL 1.*
- A2. *The keyport magazine is a prefabricated, concrete-constructed magazine that is earth-covered and arch-shaped.*
- A3. *The normal size of a box-type magazine is 12 feet by 17 feet.*
- A4. *The Corbetta magazine is a concrete-constructed magazine shaped like a beehive or dome.*
- A5. *The Gallery magazine consists of a tunnel or cave that has varied dimensions.*
- A6. *Detonators and similar initiating devices are contained in storage compatibility Group B.*
- A7. *Black powder belongs in compatibility storage group D.*
- A8. *Ammunition that doesn't present any significant hazard is found in compatibility Group S.*
- A9. *The first number in a magazine designator symbol shows the magazine group number.*
- A10. *The letter T in the third position of a magazine designator indicates that the magazine is earth-covered and barricaded.*

**Identification of Magazines and Open Storage Sites**

When practicable, magazines, buildings used as magazines, and piles of ammunition stored in the open are marked according to the system of identification you have already read about. At advanced bases, the identification system consists of two parts—a group construction symbol and a symbol hazard indicator.

The group construction symbol is a three-group symbol that consists of the following:

1. A number indicating the group in which the magazine or open storage site is located,
2. A letter or group of letters designating the type and capacity of the magazine, and
3. A number designating the sequence of the magazine within the magazine group or area.

Letter designators for advanced base storage are indicated in table 12-11. To indicate the nature of the construction of the magazine, the letter *T* is added if the magazine is earth-covered and barricaded; the letter *C* is added if the magazine is earth-covered, but the door isn't barricaded. The letter *T* is also used to designate open storage. Advanced base magazines, buildings used as magazines, caves, tunnels, and open storage sites do not conform to the standard magazine sizes prescribed in NAVSEA OP 5, volume 1. Therefore, the letters *X*, *Y*, or *Z* that identify explosion hazard, fire hazard, or fragment hazard, respectively, are used in place of the standard letter designators. Accordingly, *XT* is applied to an earth-covered, barricaded, advanced base magazine that is used for storing high explosives.

**Table 12-11.—Letter Designators for Advanced Base Storage**

STORAGE	DESIGNATOR
Advanced base magazine:	
Explosion hazard	X
Fire hazard	Y
Fragment hazard	Z
Open storage	R
Caves and tunnels	G

In addition, the following information must be conspicuously posted on one door in each magazine or building that contains ammunition:

1. The hazard classification of ammunition (explosion, fire, or fragment) stored there.
2. The maximum quantities of ammunition in each hazard classification as determined from the explosive safety quantity-distance tables.
3. Safety precautions and regulations that pertain to the specific material presently stored in the magazine or building.

Post this information at each outside (open) ammunition storage site. Print the information on a card so it is protected from the weather. Then, put the card in a locally manufactured ammunition site sign and cardholder, as shown in figure 12-3.

Advanced base magazines are built in the most suitable location for storing one of the three hazard classifications—explosion, fire, or fragment. Since all advanced base magazines are of the same type of construction, all three-hazard classifications may be stored in them if they are within ESQD limitations. However, the group construction symbol designates the type of storage for which the magazine is most suitable. Don't change this symbol to show the magazine's present or new use, unless the change is permanent.

## DISPERSION OF AMMUNITION

Ammunition disbursement is a main consideration in laying out an ammunition storage area at an advanced base. Each type of ammunition is stored in two widely separated areas. This prevents losing an entire supply of an ammunition item if there is a fire or explosion. Explosive stores are separated from other stores, as specified in the ESQD tables.

Group piles of ammunition stored in the open by categories. These groups are discussed in the following paragraphs. These groupings aren't compatibility groups; they are only used to ensure safe distances are maintained between piles and stacks of ammunition.

**CATEGORY A.** This category of material presents a fire hazard. It includes propelling charges, bag charges, rocket motors, pyrotechnics, and small arms ammunition. Category A material should be separated from materials in the other categories (B through E) by **at least 350 feet**.

**CATEGORY B.** This category of material present's fire and fragment or fragment and explosion hazards. It includes fixed ammunition, separate-loading projectiles, complete rockets (assembled or unassembled), grenades, and mortars. Category B material should be separated from materials in the other categories by **at least 300 feet**.

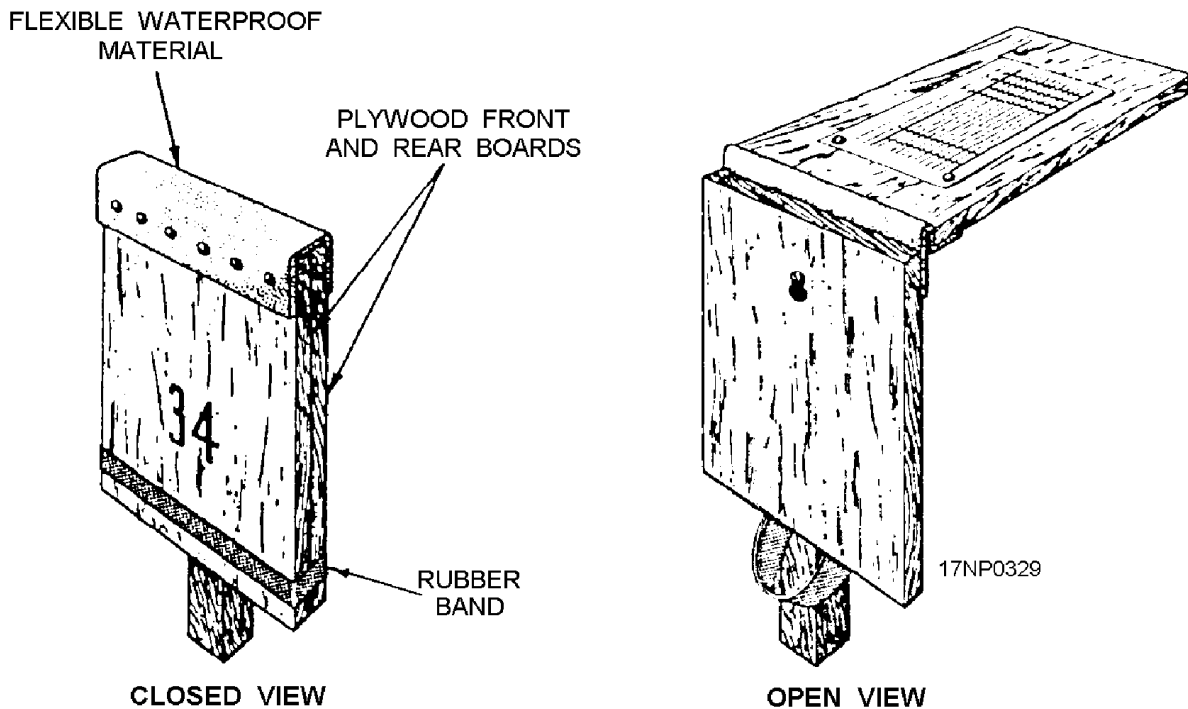


Figure 12-3.—Ammunition site sign and card holder.

**CATEGORY C.** This category of material presents an explosion hazard. This category includes bombs, warheads, depth charges, mines, demolition material, and bulk explosives. Category C material should be separated from materials in the other categories by **at least** 695 feet.

**CATEGORY D.** This category of material includes fuzes and detonators. Category D material should be separated from materials in the other categories by **at least** 200 feet.

**CATEGORY E.** This category of material includes chemical ammunition. Category E material should be separated from materials in the other categories by **at least** 400 feet.

## REVIEW NUMBER 2

- Q1. *Describe the purpose of an advanced base.*
- Q2. *What is the purpose of having at least two storage areas for each type of ammunition at an advanced base?*
- Q3. *The disposal area at an advanced base should be a minimum of what distance from ammunition storage sites and inhabited areas?*
- Q4. *List the characteristics of a prefabricated magazine at an advanced base.*
- Q5. *At an advanced base, ammunition in Category A poses what sort of hazard?*

## MAGAZINE MAINTENANCE, STORAGE, AND HANDLING REQUIREMENTS

LEARNING OBJECTIVE: *Identify the types of procedures used for magazine maintenance, storage, and handling to include personnel requirements, lightning protection systems, magazine security, and ammunition handling and shipping.*

Proper explosives and ammunition storage facilities are only a part of the overall storage system. Among the most important aspects of the storage of ammunition is the proper maintenance of magazines and magazine areas.

## PERSONNEL REQUIREMENTS

Normally, all personnel engaged in operations that involve ammunition, explosives, and other hazardous

materials are trained and qualified to perform their assigned duties. In addition to being qualified and certified, personnel involved with hazardous explosive operations are certified by a physician as physically qualified. Personnel aren't knowingly permitted or required to work when their ability or alertness is impaired because of fatigue, illness, or other reasons. This would expose them and other personnel to injury.

Occasionally, manpower shortages cause a need for assistance by personnel from other Navy ratings to join working parties to handle or transport ammunition and explosives. These working parties are referred to as augmentation crews. Before using augmentation crews, try to make sure that personnel in the working party are trained so mistakes aren't made or safety factors violated. Furthermore, make sure enough qualified representatives, preferably officers or petty officers that are senior in rank to any member of the working party, are present to detect or prevent violations of safety orders and other unsafe practices. They should take whatever action is required to correct the situation.

## LIGHTNING PROTECTION SYSTEMS

Lightning protection is required for all ordnance handling buildings, storage facilities, and handling areas that have more than 5 days per year when thunderstorms occur.

There are two types of lightning protection systems—primary and secondary. The primary system prevents damage from direct lightning strikes by diverting the strike and providing a low-impedance path to ground. The secondary system maintains all metal objects within its system at the same electrical potential. This prevents the possibility of sparking between the objects.

### Primary Systems

There are two types of primary lightning protection systems acceptable to NAVSEASYSKOM—the separately mounted lightning mast system and the separately mounted overhead ground (aerial shield) wire system.

**LIGHTNING MAST SYSTEM.**—This type of primary system consists of lightning masts (freestanding air terminals) placed around a facility and connected to a buried primary girdle. A sufficient number of masts are used to protect the entire structure within the combined cones of the masts. The dimensions of the structure determine the number and

height of masts required to adequately protecting a structure.

**OVERHEAD GROUND (AERIAL SHIELD) WIRE SYSTEM.**—This system consists of overhead lightning protection conductors spanned between lightning masts above a facility. The conductors are connected to a buried ground girdle or to ground rods only, depending upon the type of installation.

### **Secondary System**

The secondary lightning protection system consists of a buried girdle to which all metal parts are connected at the lowest point. This implies that electrical access to all reinforced steel must be provided during construction. The normal wire ties are considered sufficient to provide electrical connection between the sections of reinforced steel that are in contact with each other.

### **MAGAZINE AND MAGAZINE AREA SECURITY**

Nonclimbable fences protect magazine areas. All the entrances are locked unless guards are posted. Post a sign at all the entrances to restricted areas. The sign indicates that every vehicle must stop, that each person must present proper credentials to the guard, and that all articles prohibited within the area must be given to the guard. The exact wording of the signs are left to the discretion of the commanding officer. However, the word *explosive* doesn't appear on the sign, and the sign isn't attached to the magazines.

Special precautions are taken to guard or patrol the areas that not protected by suitable fencing. Magazine and explosives areas where ammunition, explosives, and other items of high-security classification are stored must be adequately guarded at all times.

Don't let unauthorized personnel enter or remain in any magazine or explosives area. Personnel involved in ammunition handling operations are authorized in magazines or buildings that contain explosives only as required, and they must enter and leave explosives areas at designated points.

Additional information on the requirements for posting, fencing, unguarded facilities and vehicles, emergency events, and security alarm systems is found in *Department of the Navy Physical Security Instruction for Sensitive Conventional Arms, Ammunitions and Explosives (AA&E)*, OPNAVINST 5530.13.

### **REVIEW NUMBER 2 ANSWERS**

- A1. *An advanced base is a temporary base that is in or near a forward area outside the zone of the interior. Its primary mission is to support a wartime operation.*
- A2. *At least two storage areas for each type of ammunition is needed at an advanced base to prevent loss of a particular type of ammunition if there were a fire or explosion.*
- A3. *The disposal area at an advanced base should be a minimum of 800 yards from ammunition storage sites and inhabited areas?*
- A4. *A prefabricated magazine at an advanced base is an earth-covered, arch-type structure.*
- A5. *At an advanced base, ammunition in Category A poses a fire hazard.*

### **MAGAZINE/MAGAZINE AREA INSPECTIONS**

The commanding officer, or duly authorized representative, requires regular and frequent magazine inspections. These inspections include ready-service lockers, ready-service magazines, and magazine areas. Magazine inspections are conducted to make sure the following conditions are met:

- Ensure magazine repairs are made, if needed.
- Ensure that safety regulations, particularly those that involve cleanliness and elimination of fire hazards, are observed.
- Ensure that magazine contents are not deteriorating into an unsafe condition, and they are stored in an orderly, compatible, and approved manner.

The magazine area inspections are designed to make sure the following actions are being maintained:

- Firebreaks are being maintained.
- Fire protection equipment, when required, is available and serviceable.
- Roads are good and in usable condition.
- Fences are secure.

At times area inspections are performed more often than magazine inspections, particularly during seasons when grass or brush fires are most likely to occur.

## General Inspection Requirements

Some of the types of things you look for when conducting general magazine inspections are security, safety, cleanliness, atmosphere (temperature and humidity), identification of contents, and posting. A checklist covering all safety regulations and requirements of magazine operations is used when you conduct magazine inspections. This helps you make sure you don't overlook violations or hazards. The checklist provides an adequate and full description of any condition that is unsatisfactory and in violation of requirements. Make sure the checklist is properly authenticated and made a part of the magazine log.

## Frequency of Inspections

The inspection frequency is determined by the commanding officer or duly authorized representative. The frequency varies, depending on the number of magazines to be inspected, weather conditions, season of the year, number of magazines requiring special attention (for example, environmentally controlled), and security requirements of magazines/magazine areas. Inspections are conducted during daylight hours. Make sure there is enough light to see that any substandard condition that exists is seen and reported to the inspector. The exception to this procedure is security inspections; they are conducted during the day and at night.

## Temperature Control Considerations

The majority of the ordnance items in the Navy inventory are designed to withstand temperatures in the range of 130° to 160° Fahrenheit. Temperatures within conventional ordnance storage magazines seldom exceed 105° Fahrenheit. Therefore, you don't have to closely monitor the temperatures within these magazines. However, in the case of *special magazines*, such as certain missile/missile components, torpedoes, and mine magazines that require environmental control, control-system monitoring is still required.

## Report of Inspections

You must record the date and hour of each inspection in a magazine inspection log above the signature of the person who made the inspection. Promptly report substandard or abnormal conditions to the officer or supervisor in charge of correcting it. Then annotate the observed conditions in the log. Note satisfactory and normal conditions in the log by the

entry *normal*. Magazine inspection logs may be destroyed 1 year from the date of last entry.

## REVIEW NUMBER 3

- Q1. Describe the two types of primary lightning protection systems acceptable to NAVSEA-SYSCOM.
- Q2. Lightning masts are connected to a \_\_\_\_\_.
- Q3. To what instruction should you refer for specific requirements about the physical security of naval magazines?
- Q4. When are magazine inspections conducted?
- Q5. Describe the information recorded on the magazine inspection log above the signature of the person conducting the inspection.

## AMMUNITION HANDLING

The AO must be familiar with handling ammunition. It is a repetitious task, whether at a shore station or aboard ship. Repetitious work, no matter how dangerous, often becomes routine and leads to carelessness. Therefore, pay attention to what you are doing to prevent accidents in operations dealing with ammunition and explosives.

Whenever ammunition or explosives are received, transferred, or stowed, an officer or petty officer that knows the rules governing the care and handling of ammunition supervises the work. The supervisor makes sure that all work personnel are aware of the need to be careful when they handle ammunition and explosives.

Handling equipment is properly maintained and frequently inspected to make sure it is in safe working condition. Also, the handling equipment must be the right equipment for the purpose. Inspections are made before and during loading/unloading operations.

## AMMUNITION SHIPPING

Ammunition shipping is a phase of ammunition handling. Instructions for the preparation and shipment of naval ordnance material are contained in *Navy Transportation Safety Handbook for Ammunition, Explosives and Related Hazardous Materials*, NAVSEA SW020-AG-SAF-010. The instruction NAVSEA SW020-AG-SAF-010 cover the preparation, flow, and use of all the documents that are required to

ship, receive, and report shipments. Instructions for the use of ordnance transport equipment, materials to be transported, division of responsibility for carrying out inspections, and criteria for accepting or rejecting equipment are also contained in this publication. NAVSEA SW020-AG-SAF-010 contains the general information needed for you to safely perform the duties required when shipping ordnance materials.

**REVIEW NUMBER 3 ANSWERS**

- A1. *The two types of primary lightning protection systems acceptable to NAVSEASCOM are the sequentially mounted lightning system and the separately mounted overhead ground (aerial shield) wire system.*
- A2. *Lightning masts are connected to a buried primary girdle.*
- A3. *For specific requirements about the physical security of naval magazines, you should refer to OPNAVINST 5530.13.*
- A4. *Magazine inspections are conducted only during daylight hours.*
- A5. *The information recorded on the magazine inspection log above the signature of the person conducting the inspection includes the date and hour of each inspection as well as*

*abnormal or substandard conditions of the magazines, or the word "Normal" if conditions were satisfactory.*

**Explosives Driver**

An explosive driver is often an AO with an excellent safe driving record, and a person fully qualified according to *Motor Vehicle's Driver's Handbook Ammunition, Explosives, and Hazardous Materials*, NAVSEA OP 2239. To become a qualified explosive driver, you must meet the qualifications described below. If you meet these qualifications, you are certified to drive motor vehicles that transport hazardous materials (HM).

**STATE OPERATOR'S LICENSE.**—An explosives driver must hold a valid state operator's license, not necessarily issued by the state in which the activity is located. This applies to operation of vehicles both on- and off-station. This requirement is permanently waived for those personnel stationed outside the 50 states that would otherwise be eligible to obtain an explosive driver's permit.

**MEDICAL EXAMINERS CERTIFICATE.**—An explosives driver must undergo a explosive physical examination and, on the basis of such an examination, be certified by a licensed doctor of medicine or osteopathy to ensure that he/she meets applicable

**MEDICAL EXAMINER'S CERTIFICATE** 2-79

(I certify that I have examined)

**John Jackson**

---

[Driver's name (Print)]

in accordance with the Motor Carrier Safety Regulations (49 CFR 391.41-391.49) and with the knowledge of his duties, I find him qualified under the regulations.

Qualified only when wearing corrective lenses

Qualified only when wearing a hearing aid

A completed examination form for this period is on file in my office at

**21 Oak St., Jamestown, ARK 71774**

---

**2-2-82** **M. McKenna**

[Date of examination] [Name of examining doctor (Print)]

---

*John Jackson*

[Signature of examining doctor]

---

*John Jackson*

[Signature of driver]

**42 Penn Rd., Monroe, ARK. 77772**

---

[Address of driver]

Reprinted by American Trucking Assns., Inc

17NP0330

Figure 12-4.—Medical Examiner's Certificate, ATA Form C0750.

requirements as stated in the *Federal Motor Carrier Safety Regulations*. Applicants who pass the prescribed explosive physical examination are issued a Medical Examiner's Certificate, ATA (American Trucking Association) Form C0750. (See fig. 12-4.) This certificate, in addition to the explosive driver's permit, must be on the operator's person while driving any vehicle transporting HM.

**EXPLOSIVES DRIVER PERMIT.**—An explosives driver must hold a U.S. Government Motor Vehicle Operator's Identification Card, Standard Form 46 (SF 46). (See fig. 12-5.) The card will be noted: "Explosives Driver (Must hold a current medical certificate)." The SF 46 is valid for 3 years and must be renewed prior to expiration. A yearly endorsement is not required. An individual's safety record and physical requirements will be considered prior to recertification as an explosive driver.

**AGE AND EXPERIENCE.**—An explosives driver must be 18 years of age or older to operate motor

vehicles transporting HM on-station and 21 years of age or over for off-station motor vehicle HM operations. The explosive driver must also have had considerable and varied driving experience with the type of equipment to be operated and have a safe driving record.

**MENTAL REQUIREMENTS.**—Applicants, military and civilian, are required to pass a mental examination that is administered by the local command before they can be considered eligible to be explosives drivers.

**ALCOHOL AND DRUGS.**—An applicant for explosives driver certification found to be addicted to alcohol or drugs is rejected. Certification is revoked for an explosive driver found to be under the influence of alcohol or drugs while on duty or when showing evidence of addiction. Temporary revocation of HM certification may become necessary when the use of physician-prescribed drugs are likely to interfere with the driver's ability to operate a motor vehicle safely.

Standard Form 46 Revised Jan 1977 USCSC FPM Chapter 910		<b>U.S. Government Motor Vehicle Operator's Identification Card</b>		Card No <b>1345</b>
Name of Operator <b>J. Doe</b>		Sex <b>M</b>	Date Issued <b>1/15/80</b>	
Height <b>6'</b>	Weight <b>180</b>	Date of Birth <b>7/30/36</b>	Social Security No <b>XXX-XX XXXX</b>	Date Expires <b>1/15/83</b>
Color of Hair <b>Br.</b>	Eyes <b>Br.</b>	NOT TRANSFERABLE Card must be carried at all times when operating Govern- ment vehicles		
Name and Location of Issuing Unit <b>NWS Yorktown VA</b>		Signature of Operator ( <i>Not valid unless signed</i> ) <b>/s/John Doe</b>		
The holder of this card is qualified to operate U.S. Government vehicles and/or equipment specified. Subject to the restrictions set forth on the reverse of this card.		Signature and Title of Issuing Official <b>/s/M. T. Smith Qtr - Trans.</b>		
46-105				
Restrictions				
QUALIFIED TO OPERATE				
Type Vehicle and / or Equipment	Capacity	Qualifying Official		
<b>Tractor-Trailer</b>	<b>12T</b>	<b>MTS</b>		
<b>Pick-Up</b>	<b>1/2 T</b>	<b>OFK</b>		
<b>Van</b>	<b>5 T</b>	<b>FMT</b>		
OTHER RECORDS ( <i>Optional</i> )				
<b>Explosives Driver</b>				
<b>(Must hold a current medical certificate)</b>				
* GPO 1978 O - 281 - 547 (3336)				
17NP0331				

Figure 12-5.—U.S. Government Motor Vehicle Operator's Identification Card, SF 46.

**ABILITY TO READ AND UNDERSTAND REGULATIONS.**—An explosives driver must be able to read, write, and understand the English language, and to complete the various forms for which a driver is responsible. The driver is required to read and understand the regulations that pertain to the duties as prescribed in NAVSEA OP 2239.

In addition to these qualifications, if you apply for certification as an explosive driver, you are required to complete an explosive driver's training course and pass the tests given at the conclusion of the course. All explosive drivers receive at least 12 hours of instruction in the following activities:

- Driving trucks, truck-tractors with semi trailers, and other vehicles of appropriate types
- Handling and transporting hazardous materials
- Interpreting regulations and procedures pertaining to the transporting of hazardous materials
- Training and use of fire extinguishers
- Completing and filing required reports

When operating Navy-owned vehicles, you, as an operator, must comply with DOD regulations and all state and local traffic laws. You are also subject to fine or imprisonment when you violate these regulations and traffic laws.

#### REVIEW NUMBER 4

- Q1. To what publication should you refer for information about transporting hazardous materials?*
- Q2. What is the minimum age requirement for an explosive driver to transport explosives off-station?*

#### SAFETY PRECAUTIONS

Safety precautions prescribe the minimum requirements and regulations you should observe when handling ammunition. These regulations may be general in nature or step-by-step procedures. Regardless of the situation, safety precautions must NEVER be ignored or bypassed, even during the simplest ammunition-handling evolutions.

The general safety precautions listed below show some of the regulations contained in publications referred to in this chapter.

1. Properly stow all materials within a magazine and keep them in a safe condition. Never let trash resulting from decanning, depalletizing, or unpacking accumulate in a magazine. It presents a fire hazard and unsafe working conditions for personnel.
2. Don't use improvised tools, platforms, or ladders.
3. Before ammunition loading, explosives loading, or offloading operations, either at a shore activity or a ship underway, inspect all fire mains to make sure they operate properly and efficiently. Fire hoses must be laid out ready for use in the immediate area of operations. The hoses must be laid out so those damage control and fire boundaries are not crossed, using all risers available. Additionally, keep the valves controlling these fire hoses open so that water is readily available.
4. Flame, heat, or spark-producing devices aren't permitted where explosives or flammable materials, batteries, or battery charging lockers are located. Cigarette lighters, heaters, fires, welding tools, soldering irons, cutting torches, and uncovered lights are included in this category. When work requiring the use of flame, heat, or spark-producing devices is urgently required in or adjacent to an ammunition stowage space, follow the procedures outlined in OPNAVINST 8023.2 (series) and OPNAVINST 8023.21 (series).
5. Emphasize safety precautions applicable to in-service ammunition items or equipment by using applicable signs throughout the ship. Signs may be obtained as Cog I material. They are indexed in Section 13 of *Navy Stock List of Forms and Publications—Cognizance Symbol I*, NAVSUP Publication 2002, or when not listed in NAVSUP 2002, you may obtain them from a tender-type ship by submission of a work order.
6. Emergency drills requiring the use of the general alarm system, ship's bell or whistles aren't conducted aboard ship while moored to an ammunition-activity pier, unless specific approval for such drills has been granted by the commanding officer of the ammunition activity.

Similarly, such emergency drills aren't conducted by ships nested together or at a pier where



ammunition-handling operations are in progress, or by a ship underway during an ammunition handling evolution.

7. Ammunition evolutions involving direct contact with ammunition components are curtailed during local atmospheric disturbances, such as thunderstorms or high winds. Operations aren't resumed until non-hazardous conditions prevail.
8. Stowage of privately owned ammunition and small arms is permitted aboard ship if approved by the commanding officer. This type of stowage is subject to the security requirements of chapter 700 of the Naval Ships Technical Manual, *Ammunition Handling and Stowage*, NAVSEA S9086-XG-STM-000.
9. Ships and craft entering commercial or naval shipyards for periods longer than 6 weeks are completely offloaded of all ammunition, except the small arms ammunition that the commanding officer considers necessary for the maintenance of security aboard ship and inert ordnance items such as bomb fins.  
  
If a ship is expected to remain in the yard for less than 6 weeks, the ship offloads, as a minimum, all ammunition or explosives that can't be stowed in sprinkler-protected or floodable spaces.
10. The number of personnel engaged in ammunition and explosive handling operations is limited to the minimum necessary for safe and efficient performance of the work. Unauthorized personnel aren't permitted in a magazine, missile handling or testing area, or at any handling operation involving explosives or ammunition. A responsible escort accompanies visiting personnel.
11. As a general rule, any pyrotechnic device that is armed and otherwise prepared for launching or activating but hasn't been used may be dearmed, restored to its original packing, and returned to stowage. The exceptions to this rule are Mk 25 and Mk 58 marine location markers, Mk 46 decoy flares, and aircraft parachute flares. If such devices can't be made safe beyond question, they must be stowed in

lockers or disposed of according to current directives.

12. When the temperature in a magazine containing gas generators, propelling charges, or fixed ammunition reaches 110°F or above, certain actions must be taken to preserve safety and stability of the explosives.

When the magazine temperature is between 110°F and 120°F, the magazine should be artificially cooled, as practical. The number of hours and the maximum temperature reached during each hour of exposure above 110°F, but less than 120°F, must be recorded. When the cumulative total number of hours of exposure to these temperatures reaches 500 hours, the ammunition must be expended or turned into an ammunition activity, stating the reason for return. If the ammunition was subjected to these temperatures for less than 500 hours, it should be expended during subsequent firings.

When the magazine temperature is between 120°F and 130°F, the magazine should be artificially cooled, as practical. A special record of the number of hours of exposure and the maximum temperature reached each hour should be made. When a cumulative total of 100 hours of exposure above 120°F is reached, prior to a cumulative total of 500 hours of exposure between 110°F and 130°F, the ammunition must have priority for expenditure or be turned in to an ammunition storage activity at the first opportunity.

At temperatures above 130°F, the ammunition should be removed from the magazine and turned in to the nearest ammunition activity. When there is no storage activity immediately available and the ship is in port, the ammunition may be retained on board in a segregated magazine or in a ready-service room or locker. All possible methods should be used to lower the temperature of the ammunition until the ship is able to turn it in to the nearest ammunition activity.

#### **REVIEW NUMBER 4 ANSWERS**

- A1. *For information about transporting hazardous materials, you should refer to NAVSEA SW020-AG-SAF-010.*
- A2. *To transport explosives off-station, the driver must be 21 years of age.*



## CHAPTER 13

# WEAPONS ASSEMBLY

Weapons assembly must be done with care and safety; the procedures in this chapter are typical assembly requirements. These procedures do not include authorization for flight or tactical doctrine.

### WEAPONS ASSEMBLY PROCEDURES

**LEARNING OBJECTIVE:** *Identify the purpose of conventional weapons assembly to include a description of general-purpose bombs and support equipment configurations. Identify common procedures to follow when assembling conventional weapons. Recognize the bomb assembly area arrangement.*

In the following paragraphs, you will read about the assembly procedures for some of the most commonly used weapons. This TRAMAN doesn't include assembly procedures for every available weapon in the Navy. However, the following procedures give you basic information about assembly procedures. Remember, regardless of how well trained an assembly crew may be, there must always be a crew leader and a quality assurance/safety observer (QA/SO). The crew leader is required to use a weapons assembly checklist or manual during all phases of the weapon assembly process. The QA/SO inspects each completed round to ensure it is correctly assembled and installed on the handling equipment.

### AIRCRAFT GENERAL-PURPOSE BOMBS

Aircraft general-purpose bombs are assembled in a variety of configurations. Mission requirements dictate the way a weapon is to be configured. This information is found in the ordnance load plan. A few of these

configurations are discussed in the following paragraphs.

### Bomb Assembly Tools and Equipment Requirements

Tools and equipment listed in table 13-1 are required for weapons assembly evolutions. The list is provided to assist personnel in proper assembly procedures.

### Bomb Assembly Crew

Bomb assembly is usually done on the fourth or fifth deck of an aircraft carrier or flight deck or hangar deck on LFORM class ships. They can also be built on the second deck (mess deck) or other designated areas of aircraft carriers. The references to positions used with the bomb assembly crew as used here are for ease of understanding only. Many personnel operate the bomb assembly stand (fig. 13-1) and support the assembly evolution. The crew positions are:

- Supervisor
- QA/SO
- Hoist operators
- Nose fuze/TDD installer
- Tail fuze installer
- Tail fin installer
- Skid and hoist operator
- Forklift operator
- Dunnage personnel
- Elevator operators

Table 13-1.—Bomb Assembly Tool Requirements

BOMB ASSEMBLY TOOL/EQUIPMENT REQUIREMENTS	
Spanner wrenches (spreader type)	2 each
Apex tip holders (with setscrew) 3/8" drive	4 each
Apex tip for 500 lb bomb conical fins	2 each
Apex tip for 1000 lb bomb conical fins	2 each
Apex tip for 500 lb retarding fin	2 each
Apex tip for nose setscrew 3/16"	2 each
Apex tip for butt plate removal	2 each
1/2" drive speed handle	2 each
3/8" drive speed handle	3 each
Needle nose pliers	2 each
6" Straight slot screwdriver, 1/4" blade	2 each
8" Straight slot screwdriver, 3/8" blade	2 each
Phillips screwdriver 8" No. 2	2 each
Band cutters	1 each
Full face shields	2 each
Heavy duty work gloves	2 pair
Wire cutters (diagonal wire cutting)	2 each
Wooden dowel	2 each
Non sparking wire brush	2 each
Local manufactured bar for rolling bombs	1 each
Allen wrench sets	2 each
1/8" Allen wrench	2 each
Explosion proof flashlight	3 each
Sway brace/lug gauge GMU-74/E	2 each
Nut driver 3/8" for fuze restraining clip (nut drivers are enclosed with case of clips)	2 each
Closure ring wrench P/N 1379AS503 3/8" drive ratchet	2 each

### Preparation for Use

When you use GP bombs the following preparations must be carried out. As you read this section, refer to figures 13-2 through 13-4.

**BREAKOUT.**—*Breakout* is the term used to define the physical removal of ammunition from the magazine. Weapons are broken out, by direction of the ordnance handling officer (OHO), in accordance with the load plan. When ordnance breakout is directed by

the OHO, the breakout crew records the type, lot number, and quantity of ordnance broken out. Then, the crew passes this information back to ordnance control so that an accurate account and location of weapons and related material on board can be kept up to date.

**UNPACKING.**—You must depalletize the bomb body and place it on the appropriate bomb skid or assembly stand. Prior to depalletizing, ensure that gloves, steel toe shoes, and face shields are worn. When depalletizing a bomb body, you need to remove the

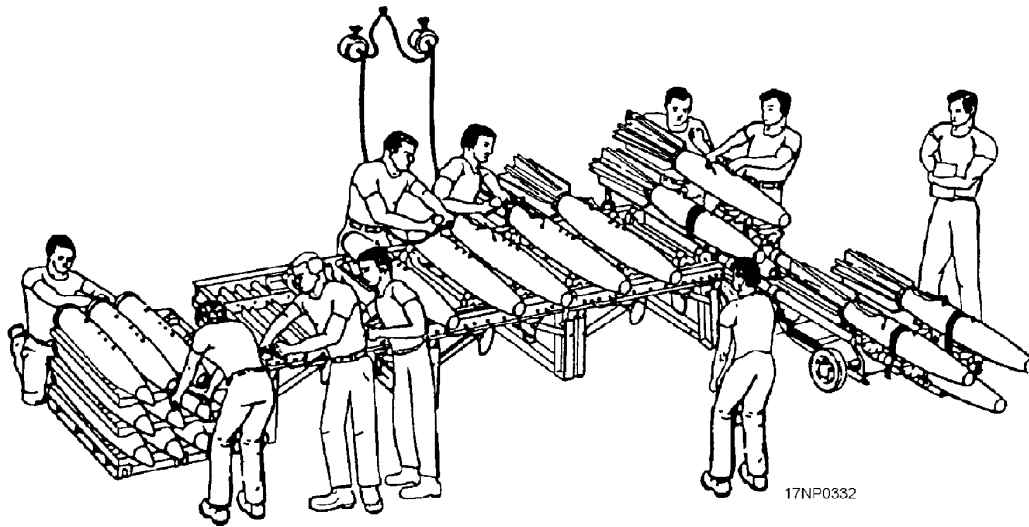


Figure 13-1.—Typical bomb assembly crew positions.

banding straps and the top section of the metal pallet, the shipping cap on the rear of the bomb body, and all plastic shipping plugs from the fuze cavities. Then, install hoisting bars, as necessary, for manual handling of the bombs. Other suitable hoisting equipment may be used when available. Finally, place the bomb on the appropriate bomb skid or assembly stand.

**INSPECTION.**—You need to inspect the bomb for damage, stripped threads, cracks, or broken welds. Make sure the bottoms of the suspension lug eyes are flush with the weapon surface. Check to see that the bomb's V-groove is clean and undamaged. Check the fuze wells to ensure they are clean and dry. If nose elements and/or electric tail fuzes are to be used, check the electrical connectors to ensure they are not bent or corroded. Press gently with a wooden dowel on the connectors to ensure that they are firmly seated. Inspect

thermally protected bombs for loose or chipped coating. Bombs that are missing more than 15 square inches of thermal coating in one spot are not considered thermally protected and are restricted from issue to aircraft carriers. Damaged or otherwise unserviceable bombs should be disposed of by following current directives.

### Adapter Boosters

Install adapter boosters by using the procedures discussed in the following text.

### WARNING

**Fuzing for the thermally protected GP/TP bomb to obtain cook-off protection is limited to Fuze M904E4 with thermally**

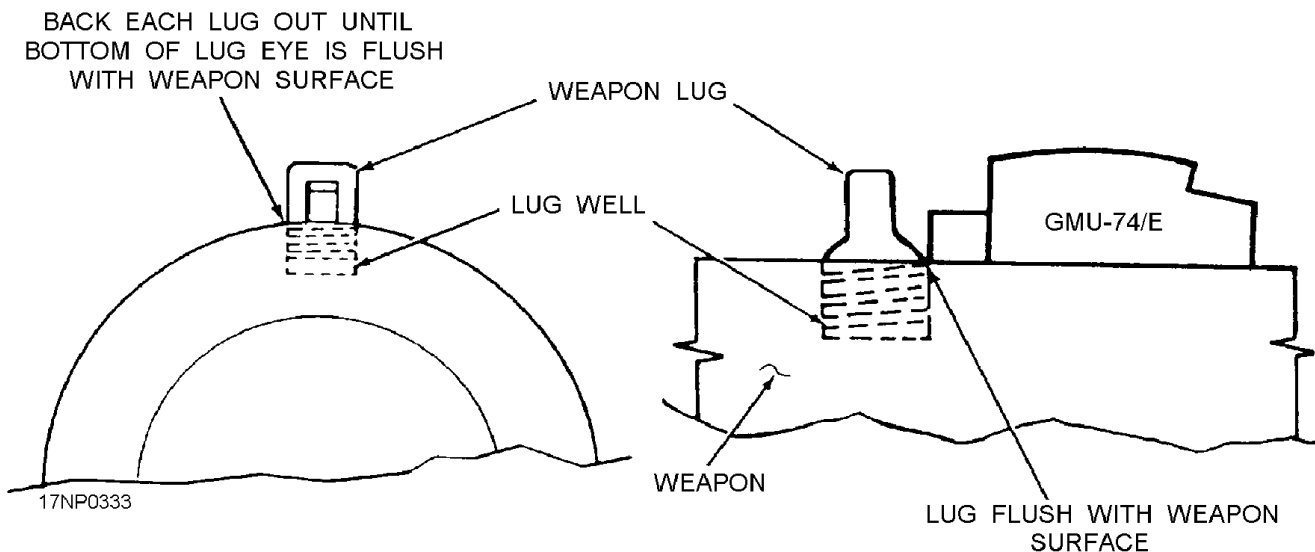


Figure 13-2.—Weapon lug thread engagement.

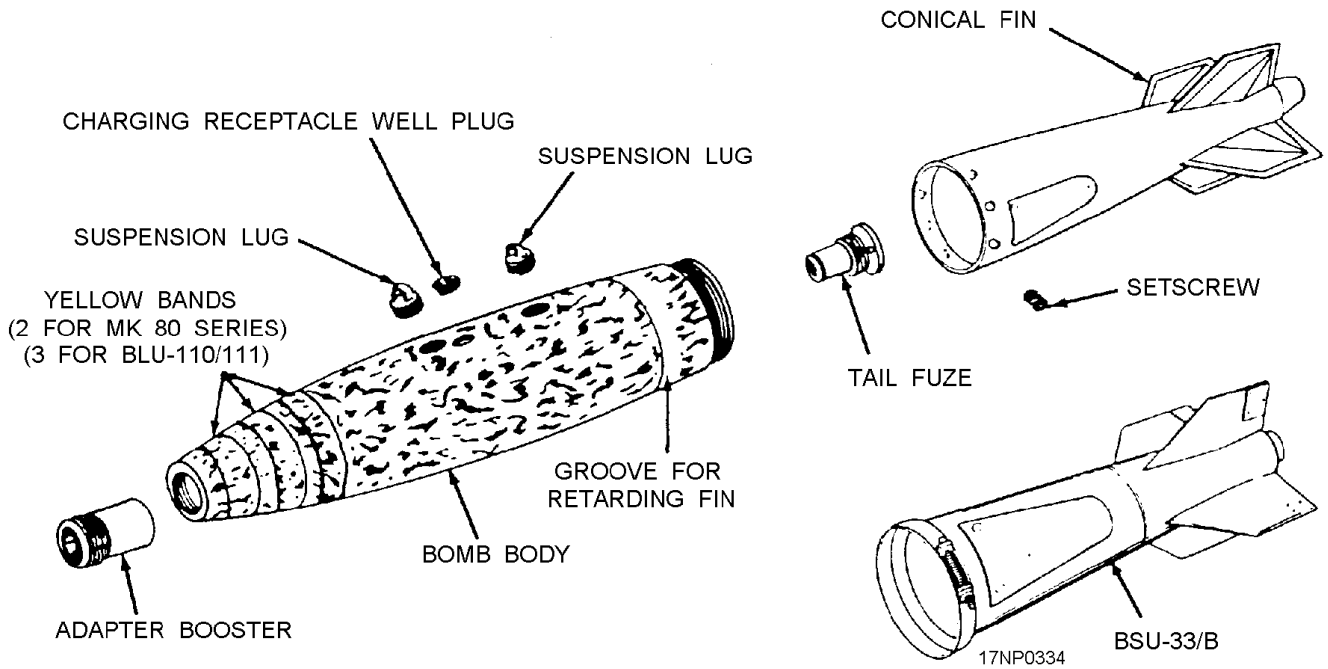


Figure 13-3.—General-purpose bomb components.

protected adapter-booster M148E1, electric fuzes FMU-139 and Mk 376 with Mk 68 thermal shield. Any other fuzing greatly increases the probability of early detonation of a bomb engulfed in a fire.

**INSTALLATION OF ADAPTER BOOSTERS.**—Remove the adapter booster from the shipping

container. If mechanical nose fuzing is used, install an M148 adapter booster. If you use a mechanical tail fuze, install the M150/T46 adapter booster with the booster cup.

**NOTE:** In addition to the booster cup, the M150 and T46 adapter booster consists of two separate explosive components. The primary

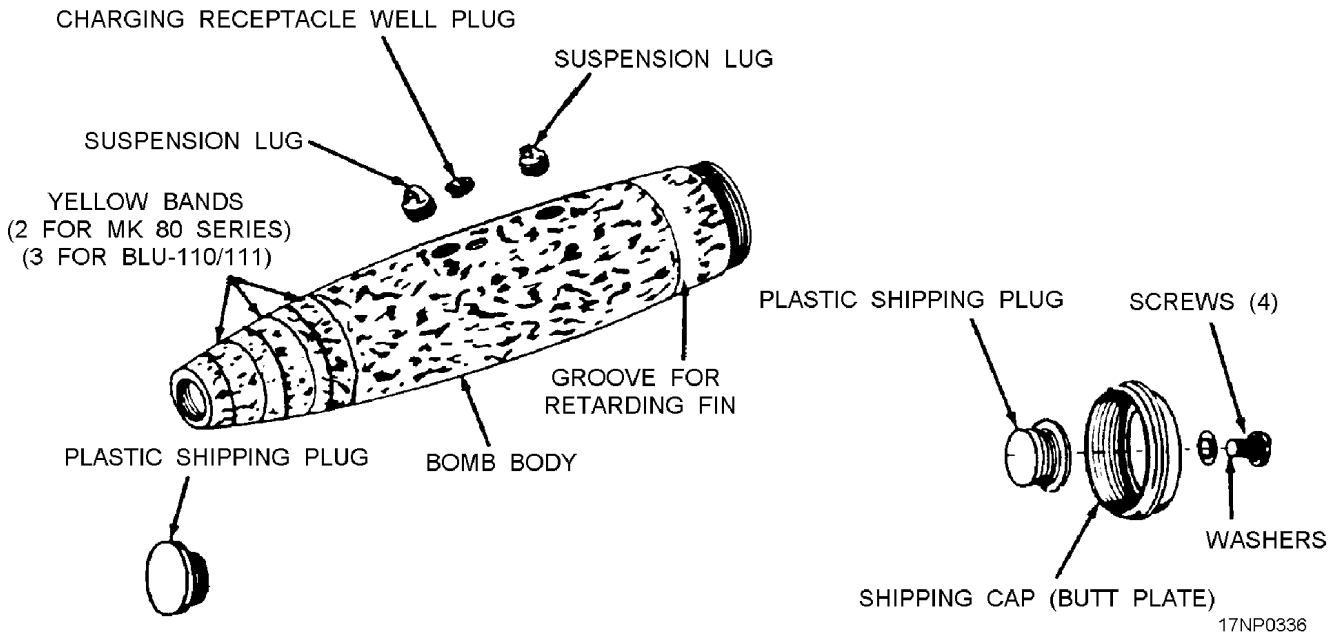


Figure 13-4.—General-purpose bomb shipping configuration.

adapter booster contains a 2.0-inch diameter tail fuze. The T46 (series) contains a fuze adapter sleeve for use with 1.5-inch diameter fuzes.

**MECHANICAL NOSE FUZING.**—When you use mechanical nose fuzing, an M148 adapter booster is installed as follows:

1. Unpack the adapter booster and remove the closing plug.
2. Inspect the adapter booster internally and externally to ensure all parts, including threads, are clean and undamaged.
3. Inspect the bomb nose fuze cavity.
4. Loosen the setscrew in the bomb body.
5. Screw the adapter booster into the bomb, and tighten it with a spanner wrench until it is firmly seated.
6. Tighten the setscrew in the bomb body against the adapter-booster threads.

### Installation of Electric and Electronic Tail Fuzes

The Mk 376/FMU-139 series electric and electronic tail fuzes are currently being used in the Navy. The following are general procedures you should follow when working with these fuzes. Refer to figure 13-5 for arming wire installation.

**MK 376 ELECTRIC TAIL FUZE.**—Prepare, inspect, and install the fuze as follows:

1. Ensure that the safety pin is installed in the pop-out pin.
2. Remove shipping cap.
3. Ensure moisture or foreign material is not present in the electrical connector at base of fuze.
4. With thumb, push in on pop-out pin; remove safety pin from pop-out pin.
5. Ascertain if resistance from pop-out pin against thumb is present.
6. Reinstall safety pin into pop-out pin.
7. Loosely install fuze-restraining clip on the flange of the fuze.
8. Install fuze into tail fuze well, and tighten with spanner wrench until flange is seated.
9. Align pop-out vertical with bomb lugs; tighten fuze-restraining clip.

**FMU-139 ELECTRONIC TAIL FUZE.**—Prepare, inspect, and install the fuze as follows:

1. Ensure that gag rod is secured by safety pin.
2. Verify that red and black striping is not visible on gag rod sleeve.

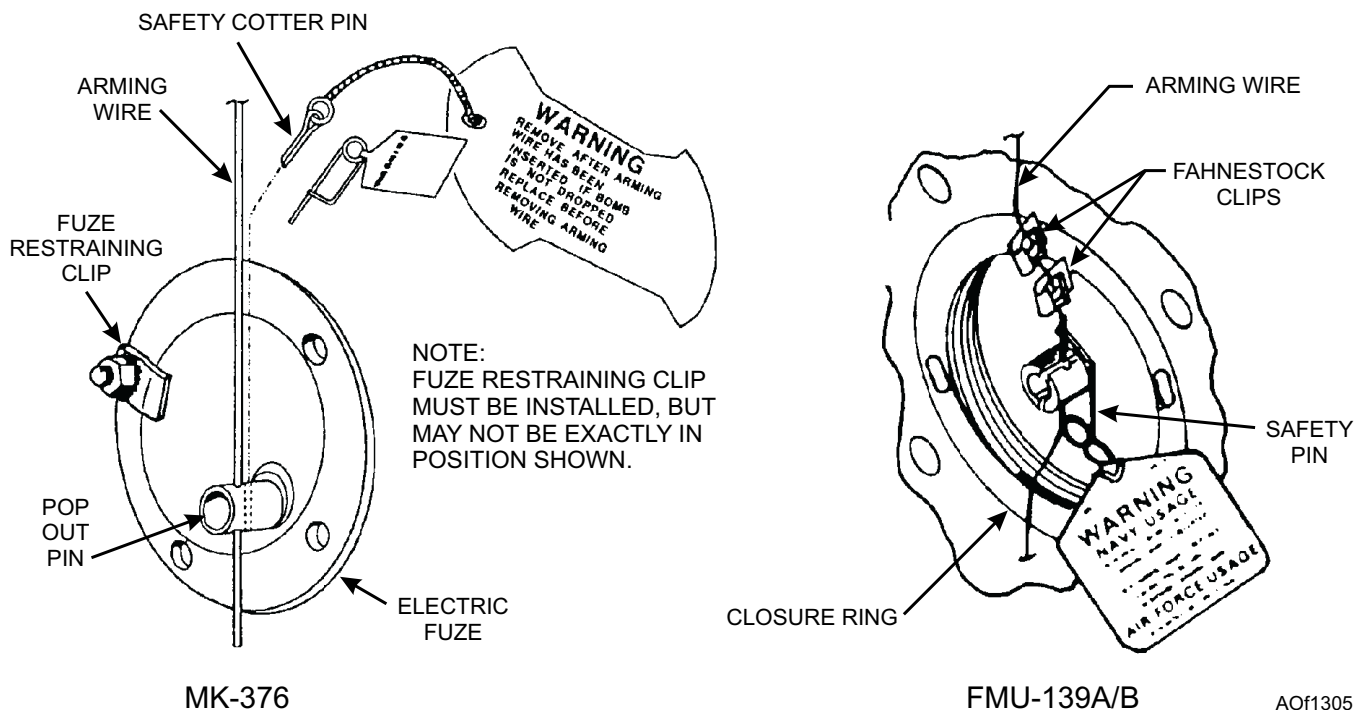


Figure 13-5.—Mk 376 and FMU-139 series electric/electronic fuze arming wire installation.

3. Check fuze for exterior damage, moisture, and corrosion.
4. Remove plastic shipping plug and flag from connector on the end of the fuze.
5. Set the fuze switches as follows:
  - a. Check that the low-drag arm/delay fire switch is set to X-position.
  - b. Rotate high drag arm/delay time switch as required. It must be in a 2.6-sec position for Navy/Marine aircraft.
6. Align faceplate with bomb lugs. Insert fuze into tail fuze well.
7. Install and tighten closure ring. The fuze may spin slightly.

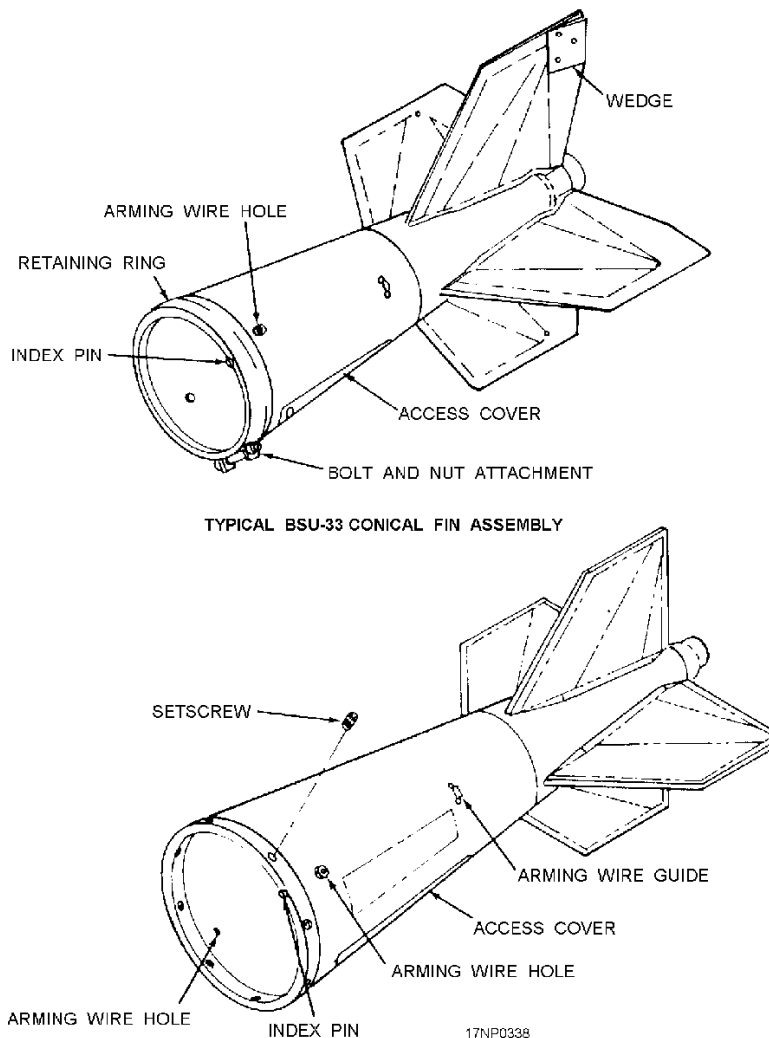
1. Remove the Mk 122 arming safety switch from its package.
2. Inspect the Mk 122 arming safety switch for deformation, corrosion, and damage to the case. Check the contact assembly for cleanliness. Check the coaxial cable for cracks and breaks in the insulation, and be careful not to stress the coaxial cable.
3. Install the Mk 122 safety arming switch as follows:

**WARNING**

**The Mk 122 arming safety switch must be installed in an RADHAZ-free environment. Do not pull the lanyard during handling and loading. If the lanyard breaks away from the switch, discard the entire arming safety switch so it will not be used on a bomb. Do not attempt to replace the lanyard.**

**Mk 122 Arming Safety Switch**

Remove, inspect, and install the Mk 122 arming safety switch as follows:



**Figure 13-6.—BSU-33 series and MAU-93/B conical fins.**



## CAUTION

When installing or removing the weapons carrier and while handling the weapon, be particularly careful to avoid damaging the safety switch. When using a Mk 49 Mod 1 weapons carrier, do not install the safety switch until the weapon has been positioned on the skid adapter.

- a. Plug the male connector of the switching unit firmly into the bomb-charging receptacle, piercing the diaphragm. Then, slide the switching unit retaining nut, threads down, over the cable and lanyard.
- b. Secure the arming safety switch in the bomb-charging receptacle by screwing the switching unit retaining nut into the bomb and tightening it with the wrench supplied. When the nut is seated on the top of the switching unit, the coaxial cable is aft of the lanyard.
- c. Insert the free end of the cable through the nearest bomb suspension lug to safeguard the cable.

### Assembly of Conical Fin to the Bomb Body

Prepare, inspect, and install a conical fin as follows (fig. 13-6):

1. Inspect fin for damage.
2. Ensure excess paint is removed from fin flange.
3. Ensure access cover is secure.
4. For a conical fin, retract all fin-mounting setscrews until screws are flush with the inside of the fin flange (all setscrews must be installed).
5. For a BSU-33 fin, ensure the clamp bolt on the band is retracted.
6. Ensure index pin in fin flange is not damaged.
7. Attach the arming wire to the aft lug (fig. 13-7). Thread the free end of Mk 3 arming wire from aft bomb lug through MAU-182 swivel ring and arming wire hole in top of fin.
8. Align fin behind bomb body with fin in the X-configuration.
9. Align pop-out pin with arming wire hole in top of fin.
10. Thread arming wire through the hole in top of the fin, and then through the fuze pop-out pin (fig. 13-5) and through the hole in bottom of fin (Mk 376).
11. Remove safety pin from pop out pin (Mk 376).

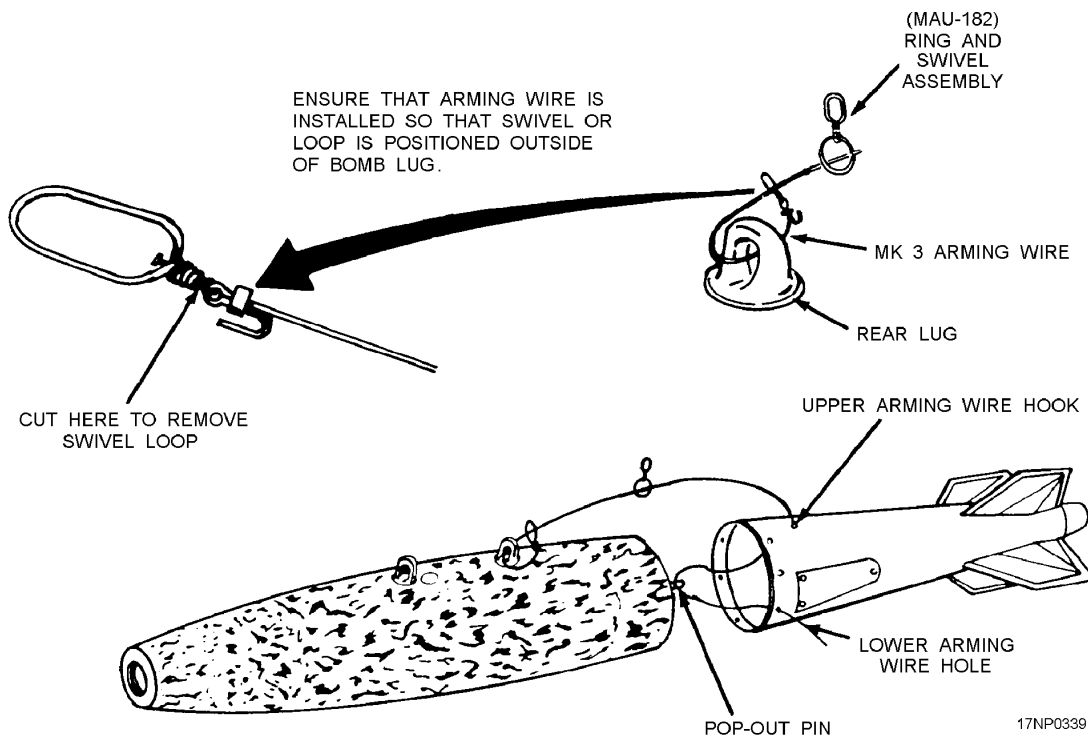


Figure 13-7.—Conical and BSU-33 series fin installation.

12. Thread arming wire through two Fahnstock clips and the bottom of the fin; vertically align arming wire with arming wire slots located on gag rod arming wire housing (FMU-139A/B) (fig. 13-5).
13. Push arming wire into arming wire housing.
14. Remove safety pin from gag rod.

### Assembly of BSU-86 and BSU-85 Fins to GP Bombs

Inspect the BSU-86 fin (fig. 13-8) as follows:

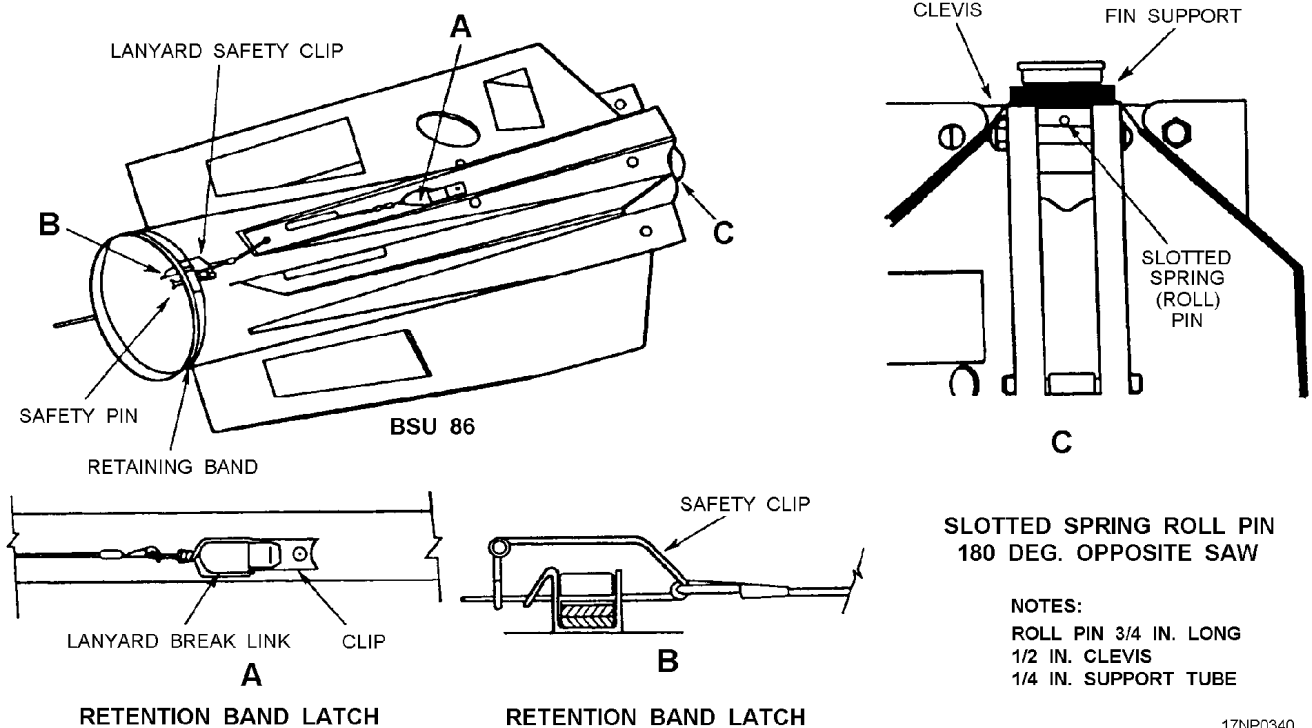
1. Inspect fin for damage and improperly installed or missing parts and corrosion.
2. Ensure that the restraining band is free of corrosion. If damage is found or suspected, complete steps 3 through 7; if no damage, proceed to step 8.
3. Remove cotter pin from fin latch; ensure latch opens freely.

**NOTE:** If fins extend automatically at least 1/2 inch when the cotter pin is removed, and can be extended to contact the shock absorber by hand, the fin is operative.

4. Check that link pins and link pin retainers are present, not damaged, and properly positioned in the drag links.
5. Close fins and clamp together with vise grip pliers.
6. Relatch the release band, and insert warning tag assembly.
7. Remove vise grip pliers.
8. Ensure band, retainer, and release assembly are not damaged.
9. Ensure the lanyard swivel is installed on stowage.
10. Ensure the release lanyard and housing and the safety clip are not damaged.
11. Ensure the slotted spring (roll pin) is installed and is properly seated and not protruding from the clevis.

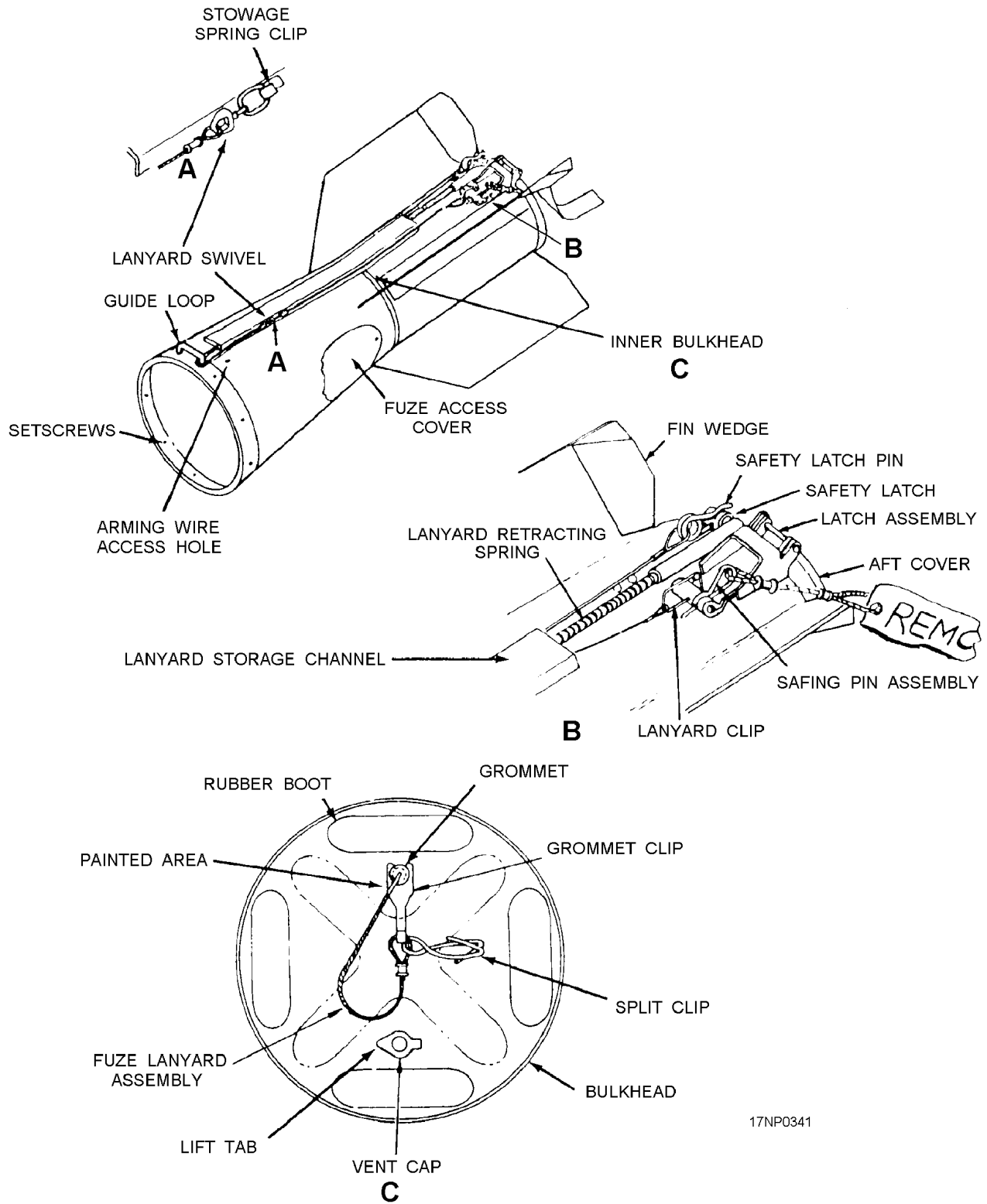
Inspect the BSU-85/B fin (fig. 13-9) as follows:

1. Ensure safing pin assembly, safety latch pin, and lanyard clip are properly installed.
2. Ensure all setscrews are installed and flush with inside surface of the forward ring.



17NP0340

Figure 13-8.—BSU-86 bomb fin.



17NP0341

Figure 13-9.—BSU-85/B air-inflatable, retardable fin.

3. Viewing the retarder from the open attachment end, check that the rubber boots are secured and not damaged (fig. 13-9).
4. Open the pressure vent cap, ensure the nose fuze lanyard assembly is not damaged, and that the lanyard swivel assembly is attached to the stowage spring clip (fig. 13-9).

5. Ensure the safety latch is installed over the aft cover tang, the release latch pivot pin is not damaged, and the cotter pin is installed (fig. 13-9).
6. Ensure access cover is installed.

### Installation of BSU-86 and BSU-85/B Fins

Install the BSU-86 and BSU-85/B fin assemblies to GP bombs as follows:

1. Attach arming wire to aft lug (fig. 13-10). Thread free end of Mk 3 arming wire from aft bomb lug through MAU-182 swivel ring and arming wire hole in top of fin.
2. Align fin behind bomb body with fin in the X-configuration.
3. Align pop-out pin/gag rod housing with arming wire holes in top of fin.
4. Align index pin with hole in bomb body, and press fin against bomb body.
5. Tighten all setscrews into v-groove in bomb.
6. On the BSU-85/B, remove access cover, and inspect arming wire. Alternately pull wire from top and bottom of retarder.

7. Attach the split clip to the arming wire swivel, route the arming wire through the bottom arming wire hole, and then route forward (fig. 13-11).
8. Fabricate composite arming wire after it is routed through bottom arming wire hole in fin.
9. Attach swivel end of the composite arming wire to the split clip on the fuze lanyard assembly.
10. Tape the arming wire to the bomb body.
11. (BSU-85/B) Re-install access cover.
12. (BSU-86/B) Ensure the lanyard clip and safety latch pin is installed and the safety pin assembly is removed.
13. (BSU-86) Install fin release safety clip into retaining band latch.
14. On the BSU-86, remove fin safing pin assembly.
15. Wrap uncut Mk 3 arming wire around the fin, and feed excess wire into appropriate hole in fin.

If you want more information about the configuration and assembly procedures for the GP

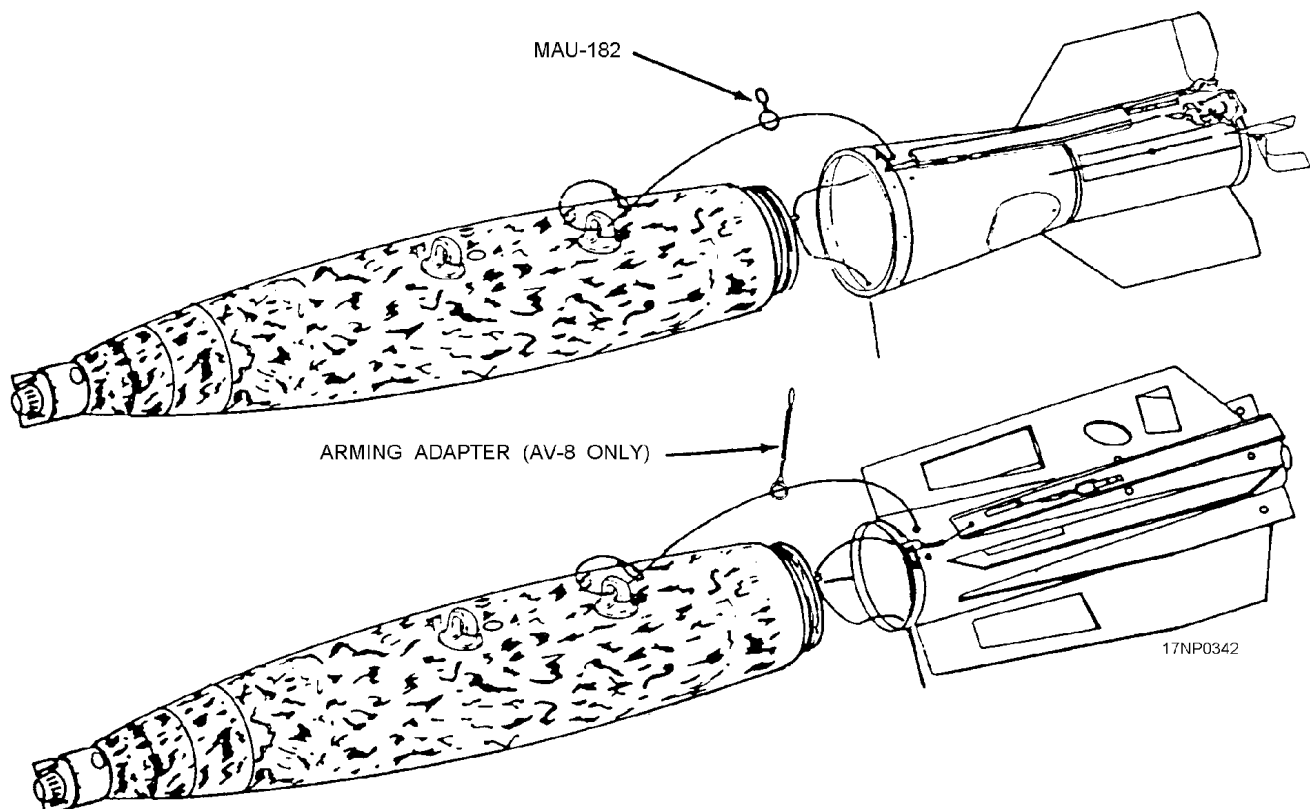


Figure 13-10.—Mk 3 arming wire and swivel loop installation.

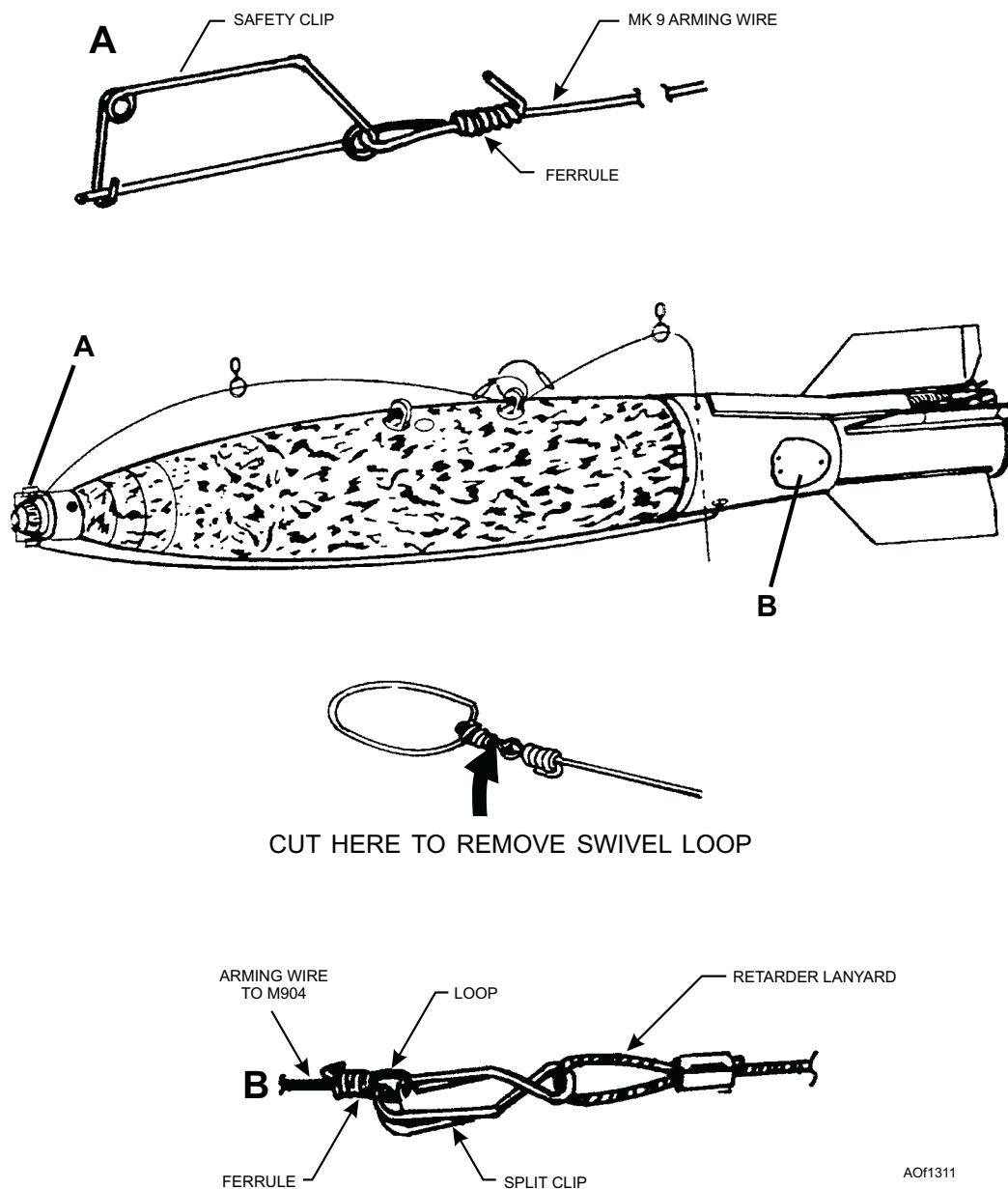


Figure 13-11.—Arming wire and split clip installation.

bombs, you should refer to *Aircraft General Purpose Bombs, Fire Bombs, Practice Bombs, Fuzes, and Associated Components*, NAVAIR 11-5A-17, and *Airborne Weapons Assembly Manual*, NAVAIR 11-140-5.

### REVIEW NUMBER 1

- Q1. For information about the GP bomb assembly, you should refer to \_\_\_\_\_.
- Q2. A maximum of \_\_\_\_\_ of thermal coating can be missing from a GP bomb and it is still considered thermally protected.

- Q3. What mechanical nose fuze is used with the thermally protected Mk 80 bomb?
- Q4. What electric tail fuzes can you use in live GP retarded bombs?
- Q5. Mk 122 arming safety switches are installed in GP bombs in a \_\_\_\_\_.

### SUBCALIBER PRACTICE BOMBS

The practice bombs normally used on a routine basis are the Mk 76 Mod 5 and the BDU-48. These practice bombs are discussed briefly in the following paragraphs.

## Mk 76 Mod 5 Practice Bomb

The Mk 76 Mod 5 practice bomb (fig. 13-12) is prepared for aircraft loading as discussed in the following steps:

### WARNING

Be extremely careful when handling a practice bomb loaded with a signal. Jarring or dropping the bomb may detonate the signal. Do not, under any circumstances, point either end of the bomb toward another person. Loading personnel must not place their bodies in line with the nose or tail end of a bomb.

1. Remove the bomb from the cardboard container.
2. Remove the cotter pin and Mk 1 firing-pin assembly from the nose. Inspect it for rust and deformation. Ensure the firing-pin cup is not deformed and the firing-pin point is below the lip of its cup.
3. Inspect the blast tube for rust and obstructions. Clean as required. When any obstructions are noted, proceed as follows: Insert a plug gauge SK923AS503 into the center cavity. The gauge should slide into place until the shoulder rests

flush against the bomb. When the gauge shoulder does not rest against the bomb, the cavity is not clear. When the obstruction cannot be removed, reject the bomb as unserviceable, and dispose of it by following current instructions.

### WARNING

A signal cartridge must not be swollen or deformed in any manner. The primer must be flush with or slightly below the base of the cartridge. If you attempt to install a deformed signal, it can cause detonation. Use extreme care when you handle a signal cartridge. When a practice bomb is not used after the signal has been installed, the signal must be gently removed and replaced in the original shipping container. The cartridge can be reloaded and used later. Do not apply pressure to force the signal cartridge or firing pin assembly into the bomb because the assembly could become deformed and fire the signal.

4. With the firing pin assembly removed, elevate the nose of the bomb. Insert the Mk 4 Mod 3 or CXU-3A/B practice bomb signal, primer end up, into the nose of the practice bomb. Slide it gently into place. Do not use force. The base

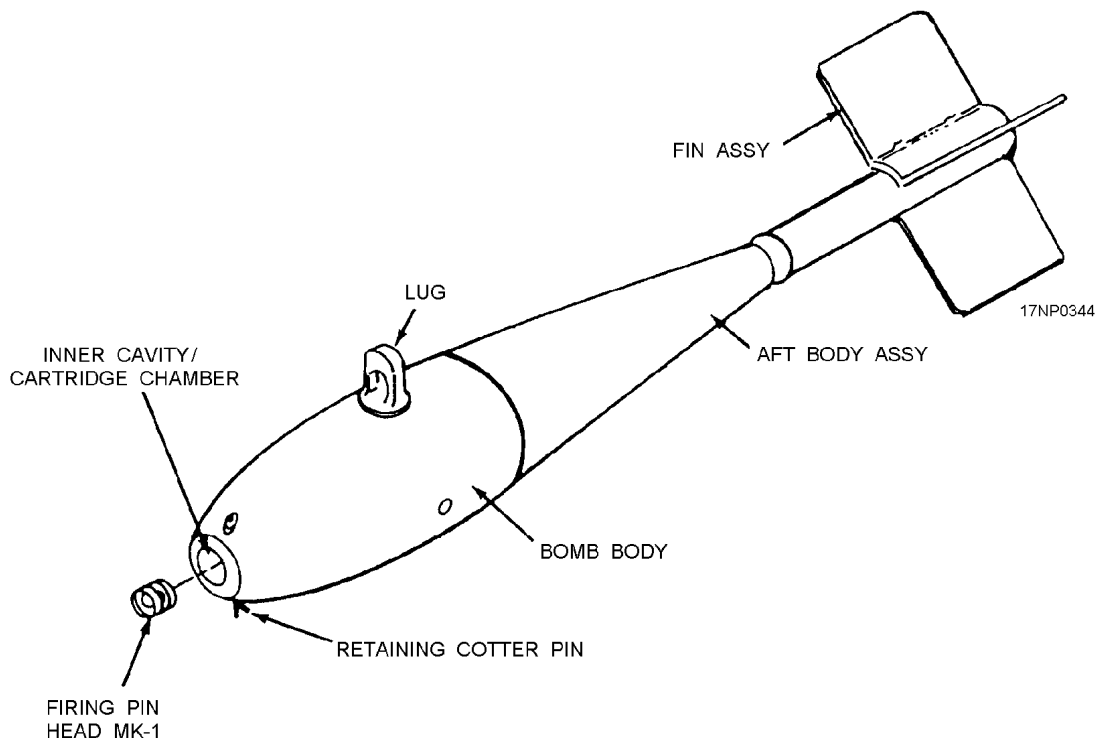


Figure 13-12.—Mk 76 Mod 5 practice bomb.

flange of the signal cartridge must rest on the bore shoulder, which is about 1 1/4 inches inward from the nose of the bomb.

5. Carefully insert the firing-pin assembly with the firing-pin end toward the signal.
6. Rotate the firing-pin assembly so that the two notches in the lip of the forward cup line up with the cotter pin holes in the nose end of the bomb. Do not apply pressure to the firing pin during this procedure.
7. Insert the cotter pin through the pinholes in the bomb body. Pass it through the notches in the firing-pin assembly. Spread the ends of the cotter pin just enough to retain it in place.

### REVIEW NUMBER 1 ANSWERS

- A1. For information about the GP bomb assembly, you should refer to Airborne Weapons Assembly Manual, NAVAIR 11-140-5.
- A2. A maximum of 15 square inches of thermal coating can be missing from a GP bomb, and it is still considered thermally protected.
- A3. An M904E4 mechanical nose fuze with an M148E1 adapter booster is used with the thermally protected Mk 80 bomb.
- A4. Only the Mk 376 and FMU-139 electrical tail fuzes are used in live GP retarded bombs.

- A5. Mk 122 arming safety switches are installed in GP bombs in an RADHAZ-free environment.

### BDU-48 Practice Bomb

The BDU-48 practice bomb is prepared for aircraft loading as discussed in the following steps:

**NOTE:** The warnings discussed for the Mk 76 Mod 5 also applies to the BDU-48.

1. Remove the bomb assembly from the container.
2. Remove the firing device and inspect for rust or deformation. Refer to figure 13-13 for identification of the components.
3. Inspect the blast tube for rust and deformation. Clean as required.
4. Insert the signal into the sleeve. With the firing device removed, elevate the nose of the bomb. Insert the Mk 4 or CXU-3A/B practice bomb signal, primer end up, and slide it gently into place. Do not use force. The base flange of the signal cartridge must rest on the bore shoulder.
5. Carefully insert firing pin assembly into the nose of the bomb.
6. Align firing pin assembly notches with the two holes in the nose end of the bomb. Insert cotter pin through holes in bomb body, and spread end of cotter pin just enough to remain in place.

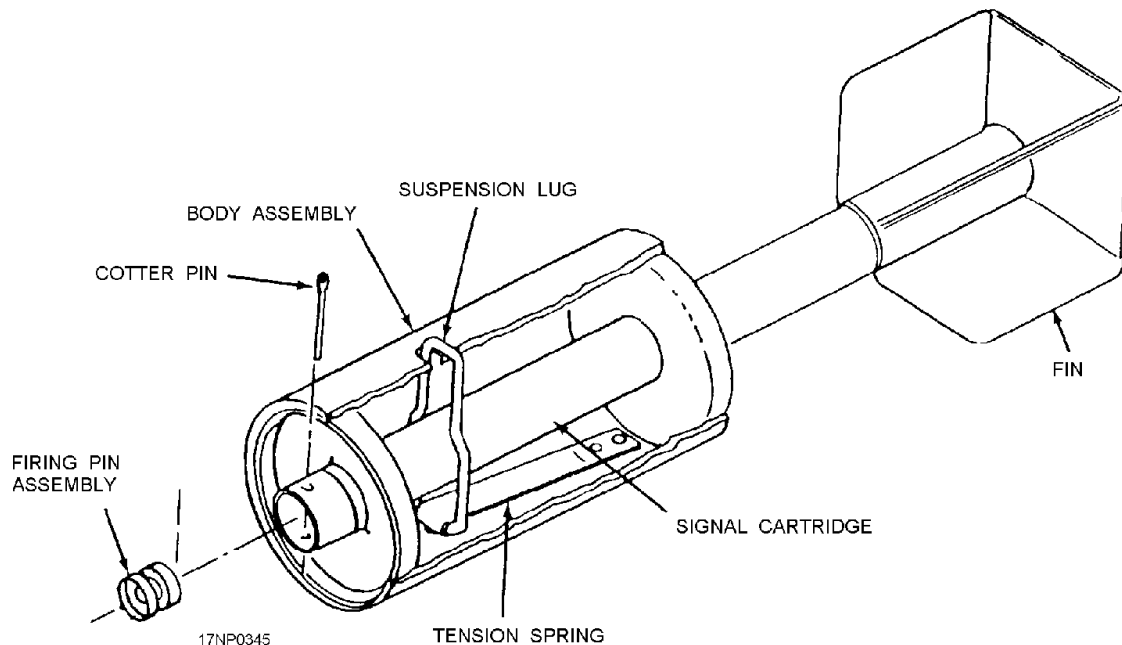


Figure 13-13.—BDU-48/B practice bomb.

For detailed information concerning the preparation of practice bombs for aircraft loading, refer to the publication NAVAIR 11-140-5.

### FULL-SCALE PRACTICE BOMBS (BDU-45)

Preparation and inspection of BDU-45 (fig. 13-14) full-scale practice bombs are the same as the GP bombs discussed earlier in this chapter with the following exceptions. The spotting charge receptacles must be checked to ensure they are clean, free of foreign material and moisture, and not deformed.

### CXU-4/B Spotting Charge

Prepare, inspect, and install the CXU-4/B spotting charge as follows:

1. Check spotting charge for damage or leakage.
2. Ensure retaining ring and spring washer is present.
3. Install spring washer at base of spotting charge receptacle.
4. Slide spotting charge into receptacle and secure with retaining ring (pliers may be required).

### MXU-735 Nose Plug

Inspect and install nose plug as follows:

1. Ensure threads are not damaged.
2. Install nose plugs, tighten with spanner wrench or ratchet, and tighten nose setscrew.

### Electric/Electronic Tail Fuzes

Procedures for inspection and installation of tail fuzes FMU-139 and Mk 376 are the same as for GP bombs, as outlined previously in this chapter.

### Mk 89 Mod 0 Spotting Charge Adapter

Prepare and inspect the Mk 89 spotting charge adapter (fig. 13-15) as follows:

1. Remove tape holding cotter pin with instruction tag attached.
2. Remove inertia sleeve and compression safety spring by unscrewing firing pin head from adapter body.
3. Inspect all components, and reject adapter if any components are damaged.

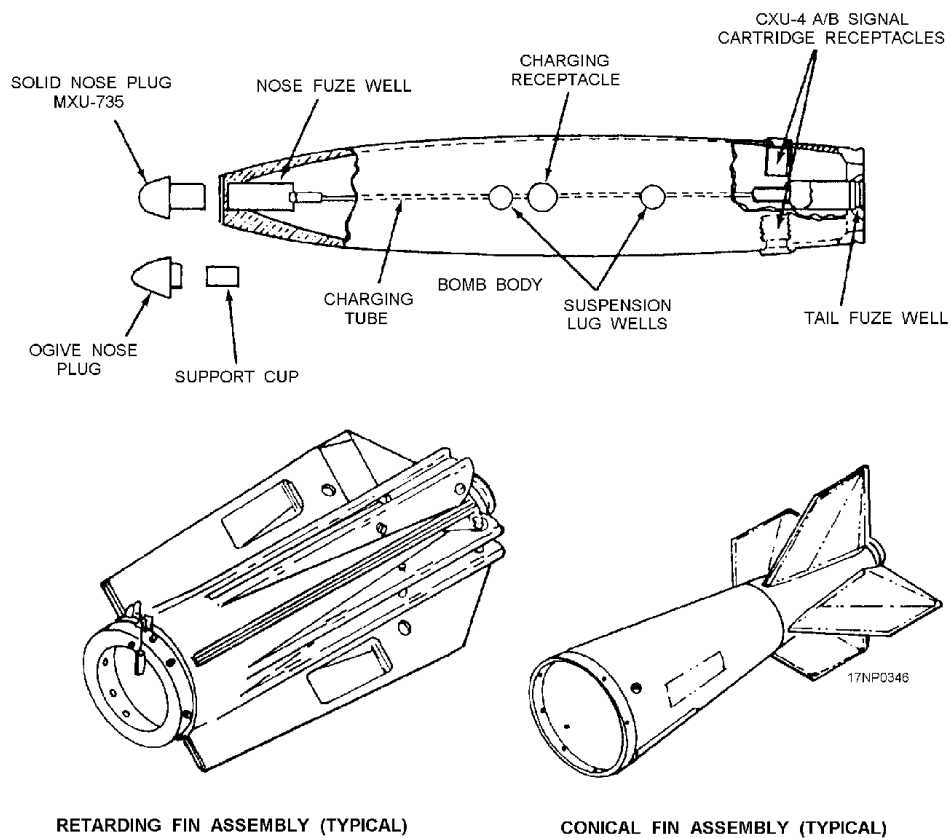


Figure 13-14.—BDU-45/B (typical) practice bomb.



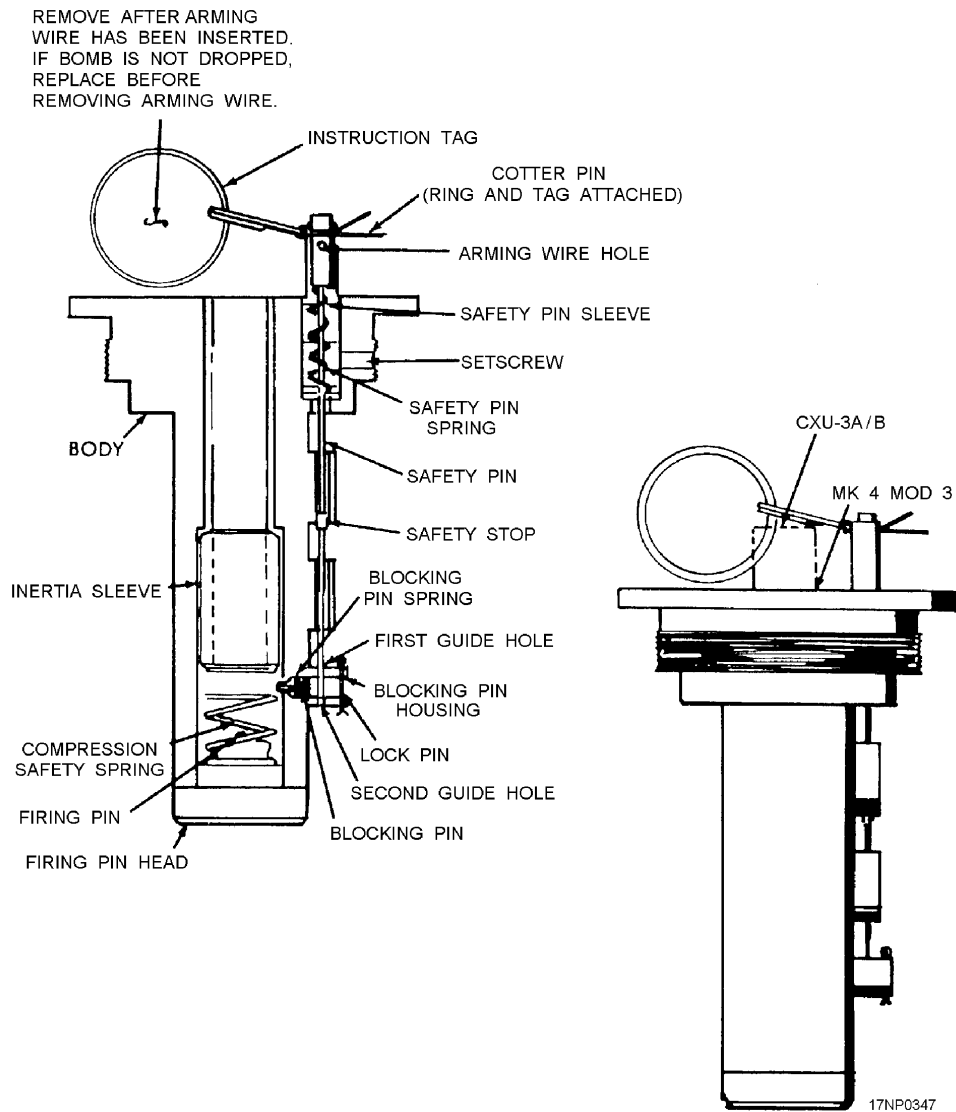


Figure 13-15.—Mk 89 Mod 0 bomb spotting charge adapter.

### Mk 4 and CXU-3 Cartridge Installation

Install signal cartridge in spotting charge adapter as follows:

1. Insert inertia sleeve into cavity body.
2. Slide cartridge through inertia sleeve with cartridge rim against forward end of sleeve.
3. Press blocking pin inward until safety pin presses through the second guide hole, locking blocking pin in place.
4. Insert cotter pin through outer set of holes in head of safety pin and safety pin sleeve. Bend leg of cotter pin slightly to hold in place.
5. Place compression safety spring over firing pin head into adapter body and hand tighten.

### Mk 89 Spotting Charge Installation

Install Mk 89 spotting charge adapter with signal cartridge as follows:

1. Verify bomb tail well is clean.
2. Insert adapter in the same manner as electric fuzes.

**NOTE:** The procedures for inspection and installation of nose fuzes and bomb fins are the same as those discussed previously in this chapter for GP bombs.

### PAVEWAY II, GUIDED-BOMB UNIT (GBU) ASSEMBLY

Paveway II GBUs are Mk 80/BLU-110/111 Series GP Bombs with physical characteristics of GBU-12,

16, and 10 that are general-purpose bombs configured with a wing assembly and a computer control group. Preparation and inspection of the GBU's are the same as the GP bombs, discussed earlier in this chapter.

### Wing Assembly Installation

Install the wing assembly on the bomb as follows:

1. Ensure safety pins are securely installed in latch release lever and collar assembly (fig. 13-16).
2. Remove access covers.

**NOTE:** Refer to figure 13-17 for steps 3 through 8.

3. Attach Mk 3 arming wire to aft suspension lug.
4. Insert arming wire through MAU-166 swivel loop.
5. Orient wings as follows:
  - a. Position MXU-667 and MXU-650 wings in X configuration with the wing release latch mechanism at 9 o'clock, with the bomb lugs at 12 o'clock when viewed from the rear.

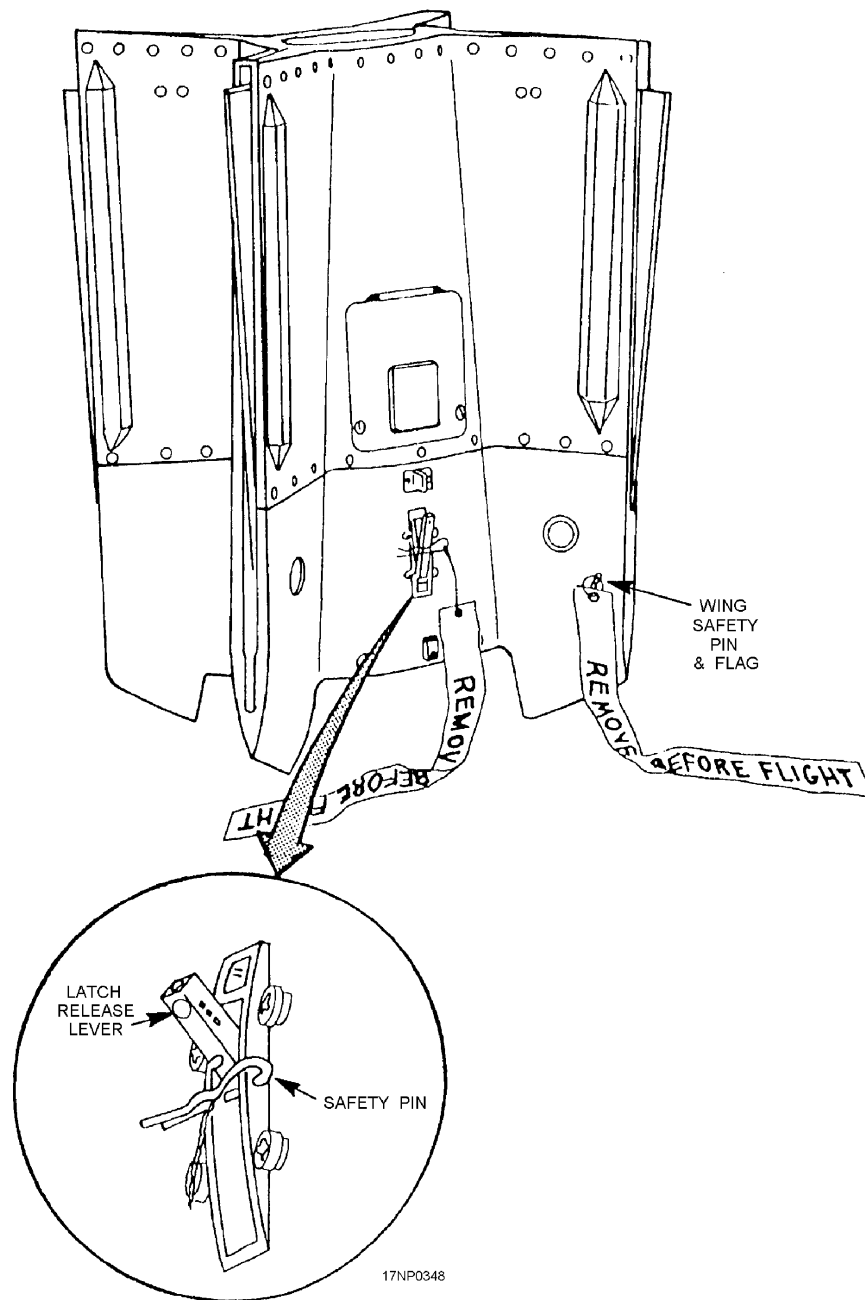


Figure 13-16.—Wing assembly.

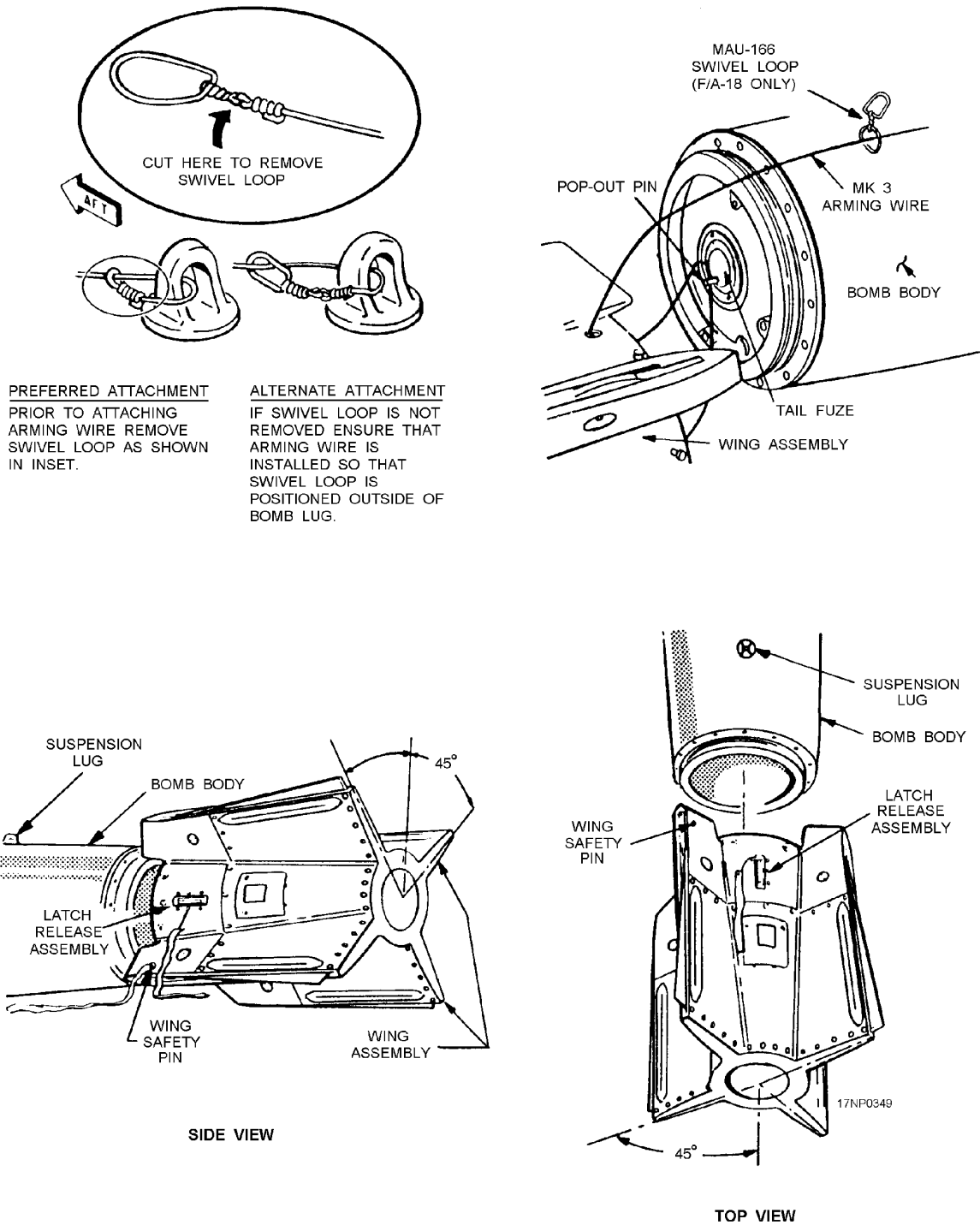


Figure 13-17.—GBU-12/16/10 wing assembly installation.

- b. Position MXU-651/B wings so that latch mechanism is at 12 o'clock in line with the bomb lugs.

**NOTE:** Mk 3 arming wire installation for the GBU-12 and GBU-16 is the same as for GP bombs, discussed earlier in this chapter.

6. Remove safety cotter pin from pullout pin.
7. Keep arming wire taut while pressing the wing against the bomb body. Hand tighten setscrews.
8. Torque setscrews to the required torque.

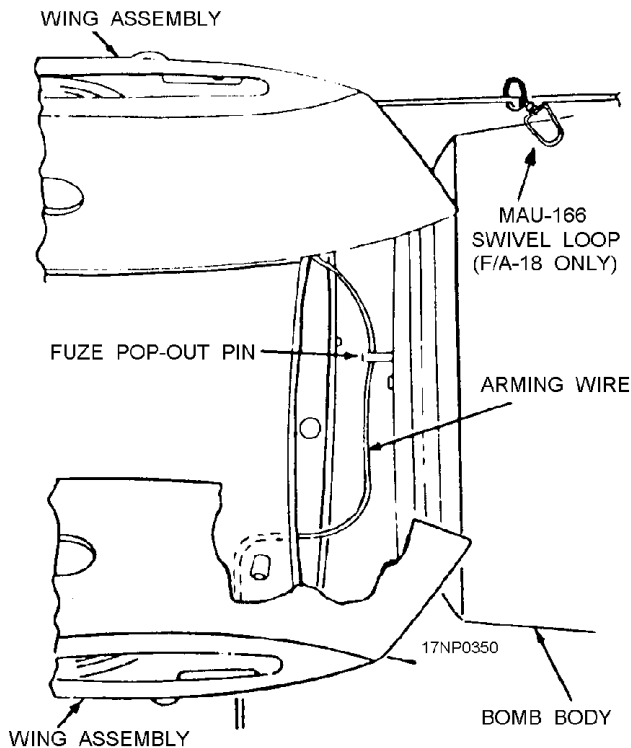


Figure 13-18.—Arming wire installation.

9. Remove the access cover, ensure that no kinks are in the arming wire, and that the wire is not looped around pull-out pin (fig. 13-18).
10. Secure access cover.
11. Wrap arming wire around wing assembly.

12. Mark wing assembly with type of fuze and date installed, fuze safety pin removed, and current date and QA initials.

### Forward Adapter Assembly Installation

Install forward adapter assembly (fig. 13-19) on nose of bomb as follows:

1. Place O-ring on external threads of retainer bolt.
2. Install retainer bolt into nose fuze well (fig. 13-20).
3. Torque retainer bolt to specified torque by using wrench adapter (fig. 13-20).
4. Apply specified torque to setscrew in nose fuze well (fig. 13-20).
5. Install fuze seal nut in retainer bolt and tighten (fig. 13-20) setscrew or install MXU-735 and tighten to required torque (fig 13-19).
6. Place open end of forward adapter over nose bomb body. Align arming wire guide with suspension lugs on bomb body.
7. Install clamp ring onto retainer bolt (fig. 13-21). Back out setscrew to prevent assembly interference.
8. Torque clamp ring to specified torque.
9. Verify arming wire guide is aligned with suspension lugs of bomb body.

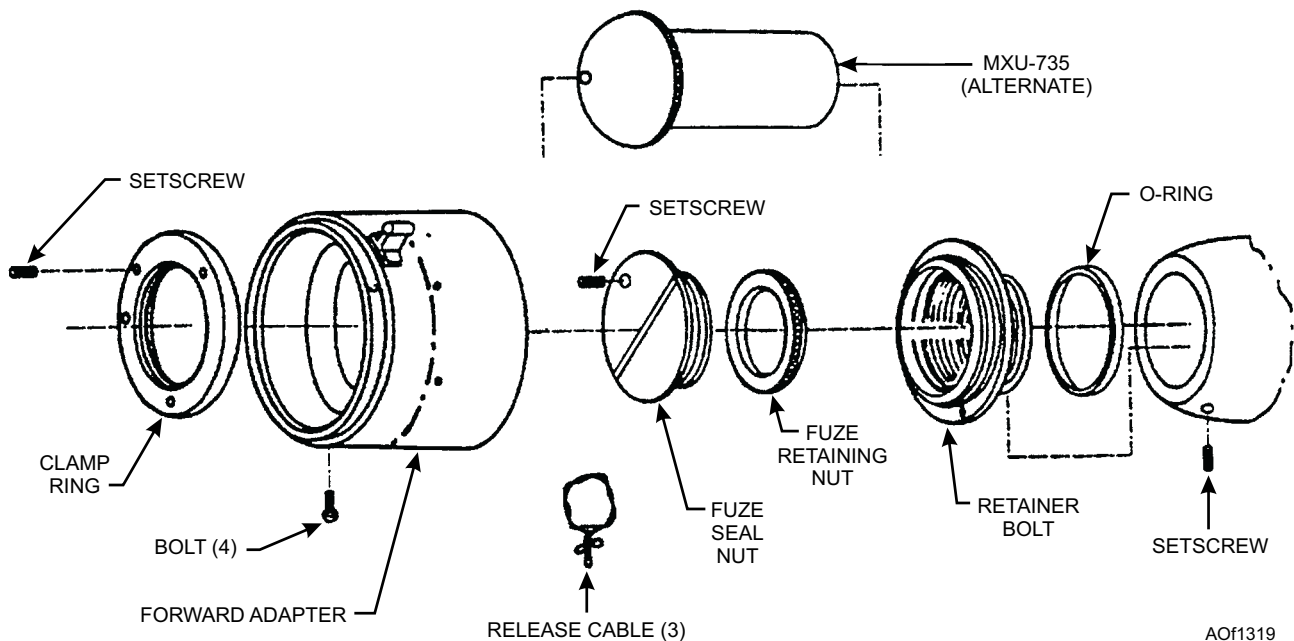


Figure 13-19.—Forward adapter assembly with fuze retaining bolt.

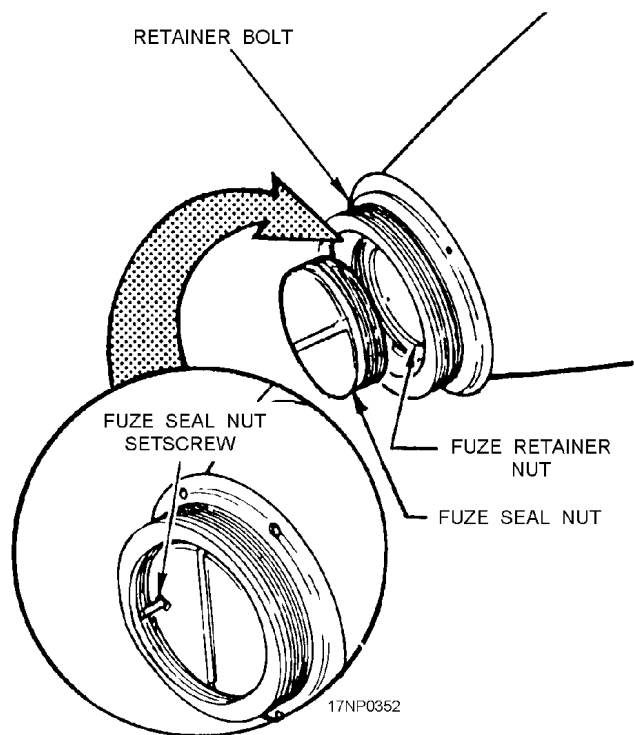
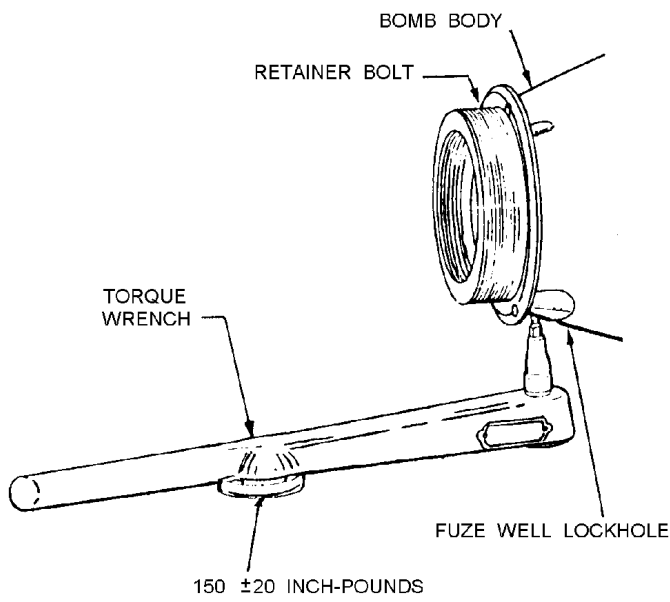
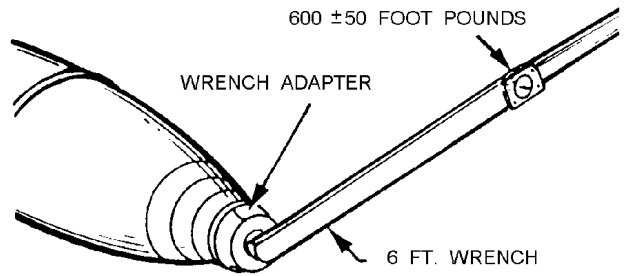
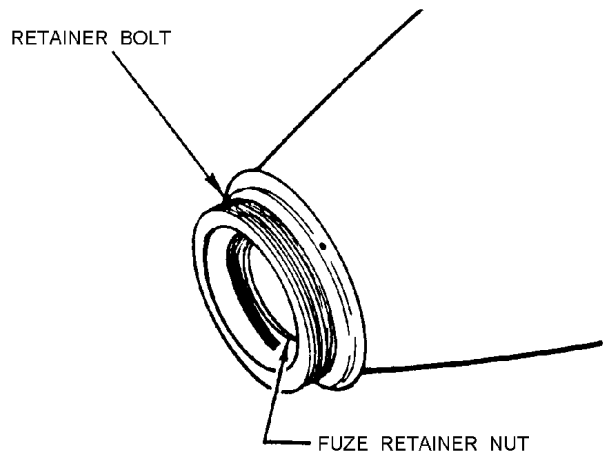


Figure 13-20.—Retainer bolt and sealing nut installation.

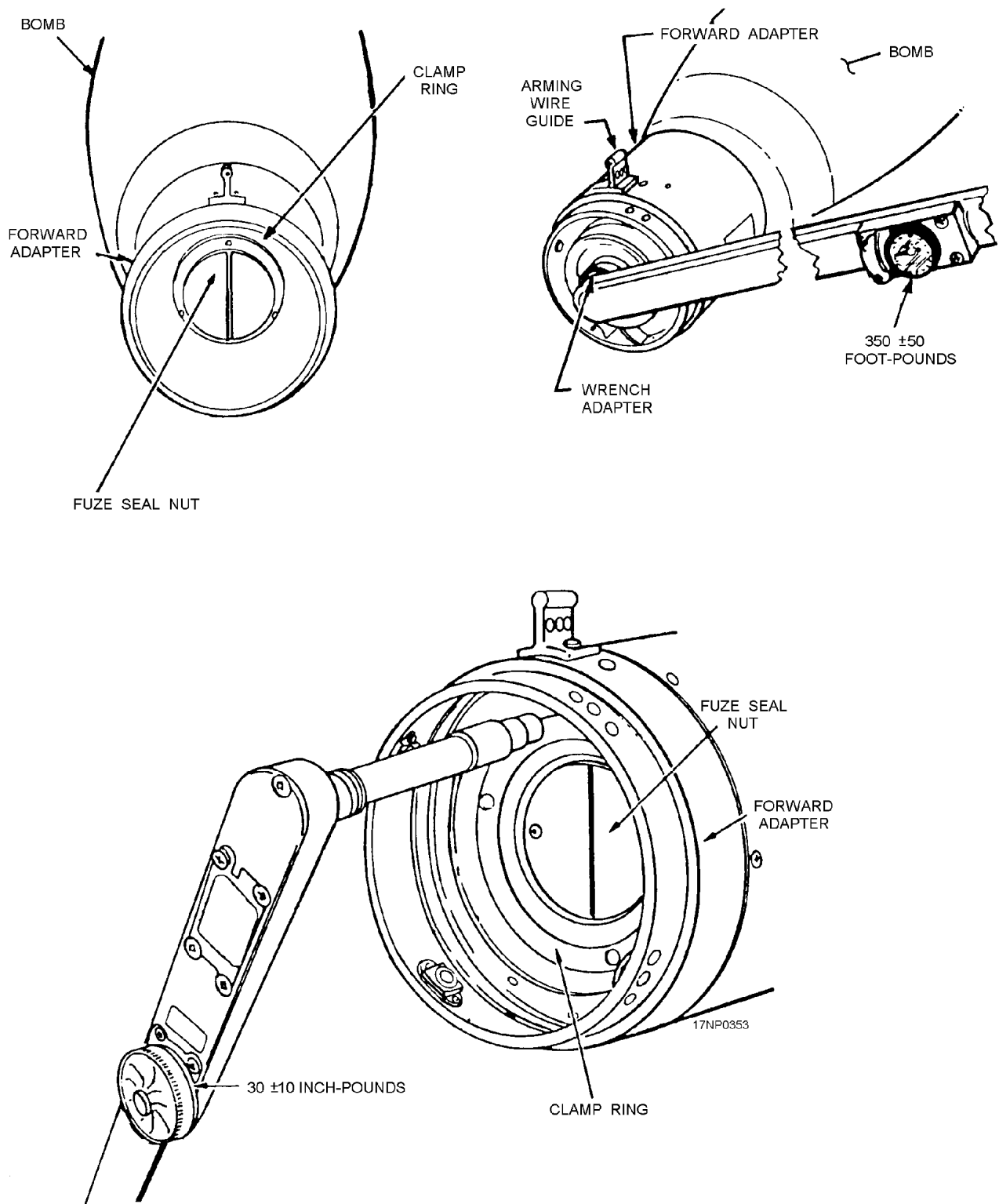


Figure 13-21.—Clamp ring installation.

10. Apply specified torque to clamp ring setscrew (fig. 13-21).

### Computer Control Group Installation

Install the computer control group (CCG) as follows:

1. Visually inspect CCG for physical damage.
2. Ensure thermal battery firing pin assembly safety wire and pullout pin is installed (fig. 13-22).
3. Ensure control section seal is installed.

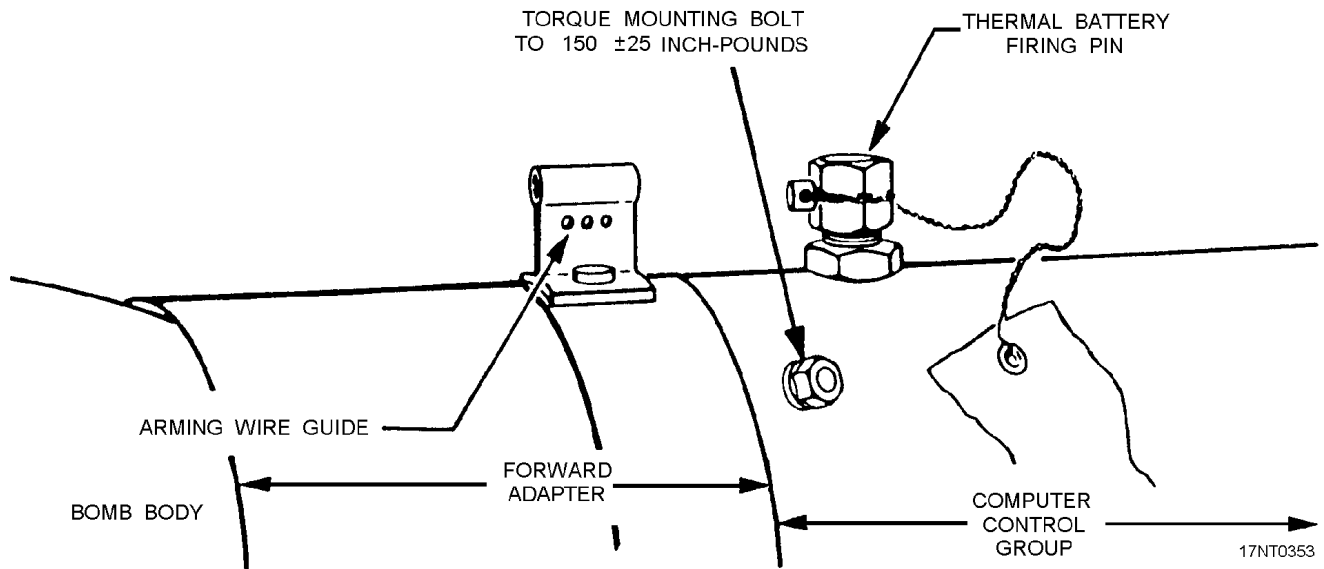


Figure 13-22.—Computer control group installation.

4. Remove detector dome protective cover and packing, inspect detector for cracks through the dome thickness, portions of the dome missing, or abrasion that prevents you from visually seeing the internal parts.
5. Inspect humidity detector ring inside of the detector optic assembly for indication of moisture.
6. Ensure detector moves freely on gimbals.
7. Replace detector dome protective cover and packing.
8. Position CCG on forward adapter (fig. 13-22), and align thermal battery firing pin assembly with arming wire guide on forward adapter.
9. Install four bolts through CCG mounting hole and forward adapter. Apply specified torque to bolts.

### 5.0-INCH AIRBORNE ROCKET ASSEMBLY PROCEDURES

The following 5.0-inch airborne rocket assembly procedures are used when you load the LAU-10 airborne rocket launcher. The LAU-10 airborne rocket launcher is discussed in chapter 2 of this TRAMAN. If the rocket launcher is being reused, it must be sent to AIMD for electrical checkout prior to loading.

The 5.0-inch rocket components may be received as follows: The rocket motors are preloaded in the

4-round LAU-10 launcher, and the fuze and warhead are shipped in separate shipping containers, or all rocket components are shipped in separate authorized shipping containers.

### Unpacking Rocket Components

Rocket motors and other rocket components are unpacked as discussed in the following steps:

#### WARNING

**Banding straps are under tension. You must use care in cutting them to prevent injury.**

1. Open wooden shipping crates by using hand tools, such as shears or steel strap cutters. Cut or untwist the securing wires from the metal containers with shears or pliers. Remove the end pans from the launcher shipping containers.
2. Keep all containers in a horizontal position while opening them. During the assembly procedure, keep the rocket warheads and motors in a horizontal position. This decreases the possibility of accidents.
3. All retrograde items, such as metal boxes, wooden boxes, spacers, and thread protectors, are removed from the components in preparation for assembly. These retrograde items must be retained and disposed of according to current directives.

## Inspecting Rocket Components

As the rocket components are removed from their shipping containers, inspect them by performing the steps listed below. Dispose of defective items according to current directives. The components you inspect include launchers, warheads, fuzes, and rocket motors, to include their fins.

### WARNING

**To avoid personal injury and equipment damage in an operation involving assembly, disassembly, fuzing, defuzing, or cleaning, you must do the work in a designated area. This area must be safely located away from other explosives and vital installations. Only the smallest number of rockets practicable should be exposed. Only authorized personnel essential to the work should be permitted in the vicinity. Refer to the publications NAVAIR 16-1-529 and NAVORD OP 3565 for RADHAZ procedures and precautions.**

**WARHEADS.**—Inspect the warheads as follows:

### WARNING

**Warheads that are cracked or have a gap between the fuze adapter and the warhead are hazardous.**

1. Verify that the warhead is not cracked and no gap exists between the fuze adapter and the warhead.
2. On the Mk 32 warhead, verify that the fuze is staked.
3. Verify that the base and fuze cavity threads are not damaged or corroded.

### WARNING

**Do not use a warhead that does not have the base fuze hole closed by a steel plug or a base fuze. Base fuzes must not protrude more than 1/16 inch. Detonation could occur during handling or firing.**

**NOTE:** Do not disassemble base adapters from the warheads to check for base plugs.

4. Verify that the warhead contains a base fuze or a steel base plug. When installed, ensure the base fuze does not protrude more than 1/16 inch.

**FUZES.**—Inspect the fuze as follows:

### WARNING

**Fuzes that are damaged are hazardous. Detonation may occur.**

### CAUTION

**Do not use Mk 93 or M414 fuzes with nose cones that are completely penetrated by scratches, cracks, or abrasions. Minor scratches or abrasions do not affect their performance or safety.**

1. Verify that the fuze body is not damaged.
2. Check the fuze threads for damage or corrosion.

**ROCKET MOTORS.**—Inspect the motor as follows:

1. Verify that the motor tube is not dented, deeply scratched, gouged, or corroded.

### WARNING

**Use an authorized metal shielding band assembly only. Do not substitute the Mk 71 motor plastic fin retainer band because it offers no RADHAZ protection.**

**NOTE:** Rocket motors packaged in individual wooden containers may be received with the old, narrow, metal shielding band (P/N 1516140) installed. This band is obsolete and must be replaced with shielding band assembly P/N 4902192 when unloaded from the launchers.

2. Verify that the shielding band and the RADHAZ barrier are in place.
3. Verify that the nozzle plug is in place.
4. For rocket motor Mk 71, verify that the fin retainer is in place, the fins are not bent or broken, and the fin pin is clean and free of foreign matter. The spring-loaded fins must be exercised four to six times.



5. The motor contact bands, motor tube threads, and nozzle and fin assembly must be clean and free of grease or other lubricants.
6. Check threads for damage or corrosion.

### Assembly of Rocket Components

Rocket components are assembled as discussed in the following steps:

#### WARNING

**Ensure launcher is grounded. Shielding bands must be in place whenever the rocket motor is out of or protrudes from the launcher. Ensure the shielding band covers the contact band but does not touch it.**

1. Place detent lift arm in load position.
2. Push forward on aft end of rocket motor until forward end of rocket emerges from launcher.
3. Slide shielding band (fig. 13-23) over motor and hold against forward part of launcher; push motor forward until locking tabs seat in the motor detent grooves and not in the contact band groove.

**NOTE:** A standard rocket assembly tool kit containing crowfoot wrenches, a torque wrench, detent locking wrenches, chain wrenches, and strap wrenches is available for the assembly of 2.75-inch and 5.0-inch rockets.

4. Hold motor with strap wrench. Screw warhead into motor and tighten securely with chain wrench until the warhead seats 360 degrees.

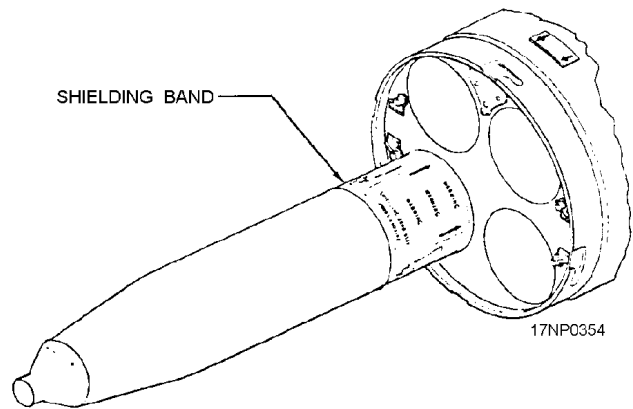


Figure 13-23.—5.0-inch rocket RADHAZ and electrostatic protection.

5. Attach appropriate nose fuze and tighten.
6. Push rocket motor slowly into the tube until aft end contacts aft stop.
7. Rotate detent lift arm to flare position.
8. Push the motor forward hard; pawl will engage groove with audible click indicating positive engagement.

### 2.75-INCH AIRBORNE ROCKET ASSEMBLY PROCEDURES

Unpacking and inspection of the warhead, fuzes, and motor are essentially the same as for the 5.0-inch rocket components discussed earlier in this chapter. Assemble rocket components as follows:

1. Place rocket motor body in holding fixture (fig. 13-24).

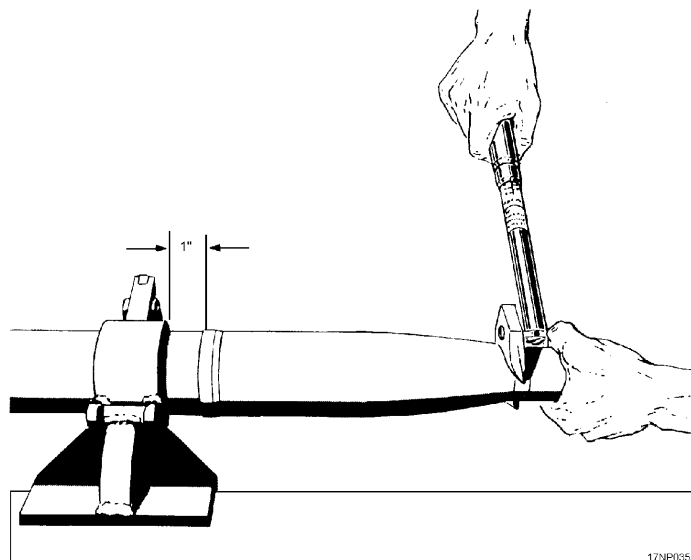


Figure 13-24.—Holding fixture assembly.

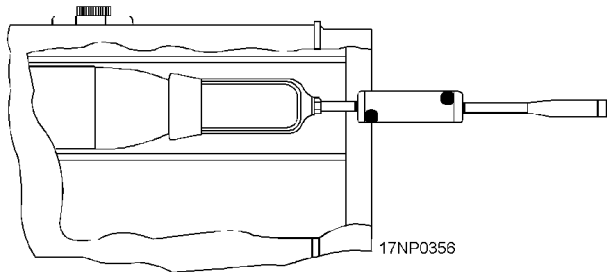
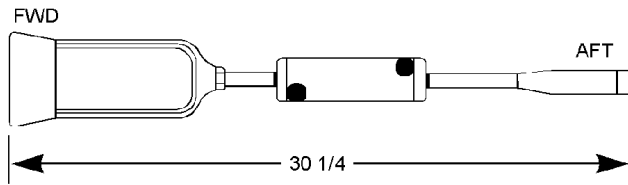


Figure 13-25.—Rocket loading and release tool.

2. Hand tighten warhead to motor.
3. Apply the specified torque to the warhead by using a crowfoot adapter and torque wrench (fig. 13-24).

**NOTE:** Some warheads only require tightening until the warhead seats on the motor 360 degrees.

4. Install fuze hand-tight in the warhead.
5. Verify there is no gap between the fuze and warhead or warhead and motor.
6. Remove assembled rocket from holding fixture.

7. Remove and retain fin protector just before inserting rocket into launcher.
8. Slowly push the rocket into the tube by using rocket loading and release tool (fig. 13-25) until detent snaps into position in detent groove.

### CAUTION

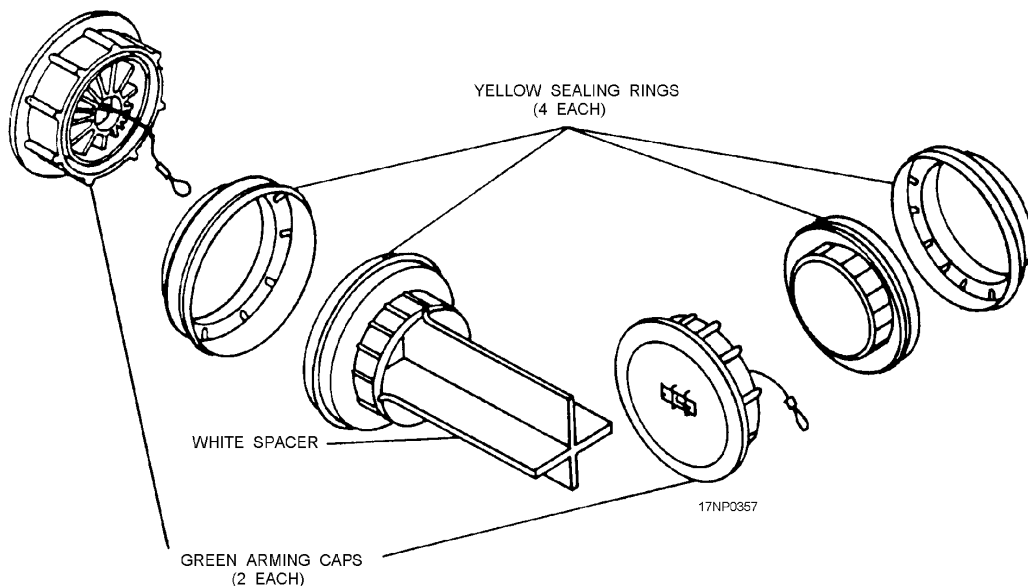
**When installing Mk 34 and Mk 63 warheads, use the chain wrench only in the area indicated by the decal. This prevents damage to the warhead.**

**NOTE:** A groove may be cut in one nylon insert only of the practice warheads Mk 6 Mod 7 and Mk 32 Mod 0. This facilitates assembly of the warhead to the motor.

For detailed information concerning the assembly procedures of airborne rockets, you should refer to *Airborne Rockets, NAVAIR 11-75A-92, Aircraft Rocket Systems 2.71-inch and 5.0-inch.*

### REVIEW NUMBER 2

- Q1. List the two subcaliber practice bombs normally used.
- Q2. List the two practice bomb signals used with the Mk 76 practice bomb.
- Q3. To what publication should you refer for detailed information about practice bombs?



FLARE ADAPTER KIT ADU-381/A PLASTIC PARTS  
DODIC/NALC LY15

Figure 13-26.—Flare adapter kit.

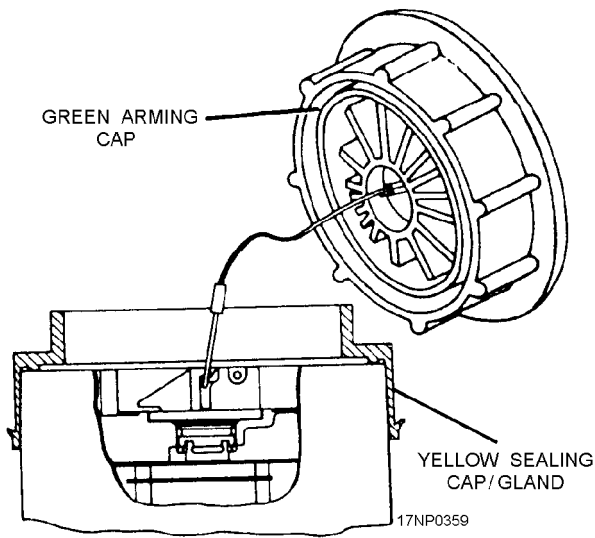


Figure 13-27.—Lanyard configuration.

### SUU-25 FLARE DISPENSER

Perform loading and unloading of the dispenser in authorized areas only.

### Adapter Kits

Install adapter kits on flares as follows:

1. Make sure the timer knob is on safe.
2. Make sure there is no external damage.
3. Check the adapter kit (fig. 13-26) for two green arming caps with serviceable arming lanyards, one white two-piece spacer, and four yellow sealing rings.
4. Rotate the time knob to required setting.
5. Install yellow sealing ring on each end of flare.
6. Connect green arming cap lanyard (fig. 13-27) to timer knob.
7. Install green cap on yellow sealing ring.
8. Place the two halves of the white spacer together and install on the aft end of the forward flare (fig. 13-28).

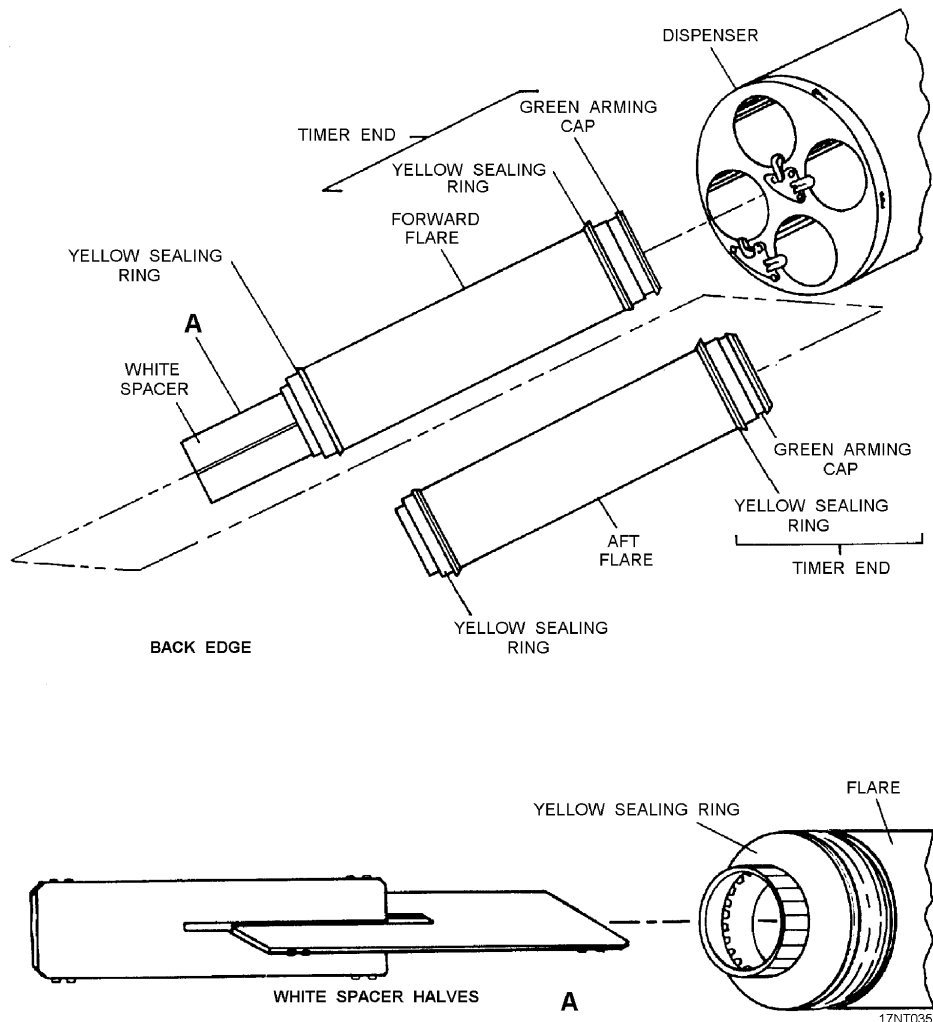


Figure 13-28.—Installation of spacer assemblies on flares.

## REVIEW NUMBER 2 ANSWERS

- A1. *Mk 76 and Mods and BDU-48/B are the two subcaliber practice bombs normally used.*
- A2. *The CXU-3A/B day use and the Mk 4 night use are the two practice bomb signals used with the Mk 76 practice bomb.*
- A3. *You should refer to NAVAIR 11-5A-17 for detailed information about practice bombs and signal cartridges.*

### Dispenser Preparation

Prepare dispenser for flare loading as follows:

1. Safety pin and flag installed in safety switch (fig. 13-29).
2. Stepper switch set on safe.
3. Ensure dispenser has been electrically checked.
4. Open breech caps, ensure sleeves are clean.

5. Open four downloading breech caps (fig. 13-30).

### Flare Loading Procedures

Load flares into dispenser as follows:

1. Insert forward flare into tube with green arming cap forward, and ensure white spacer is properly seated on yellow sealing ring and centered. Continue to push flare forward, and insert aft flare with green arming cap forward until forward flare is stopped against the expansion chamber.
2. Close aft retaining link and insert shear pin, with head of shear pin in the upward position. Spread shear pin tangs 30 to 40 degrees.
3. Rotate applicable forward retaining lock to locked position.
4. Install shear pin into lock with pinhead forward and spread tangs to 30 to 40 degrees.

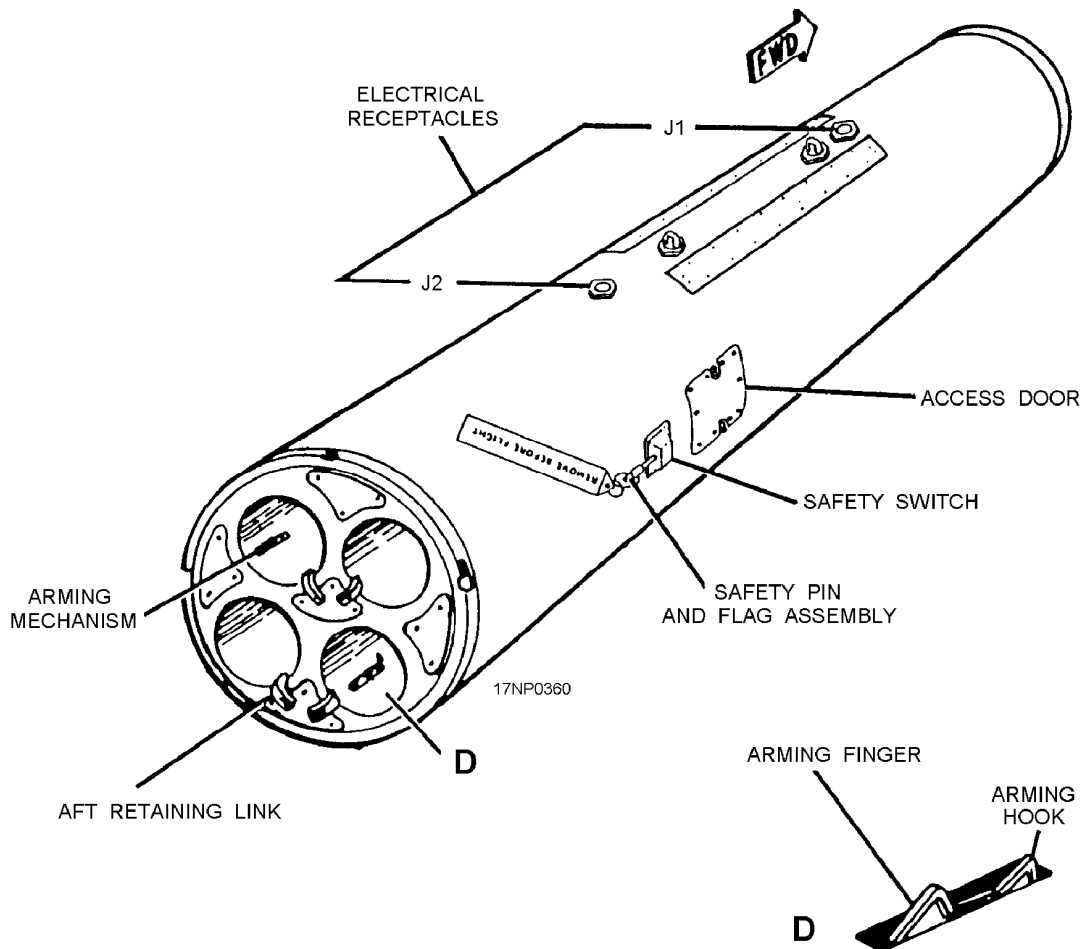


Figure 13-29.—SUU-25F/A.

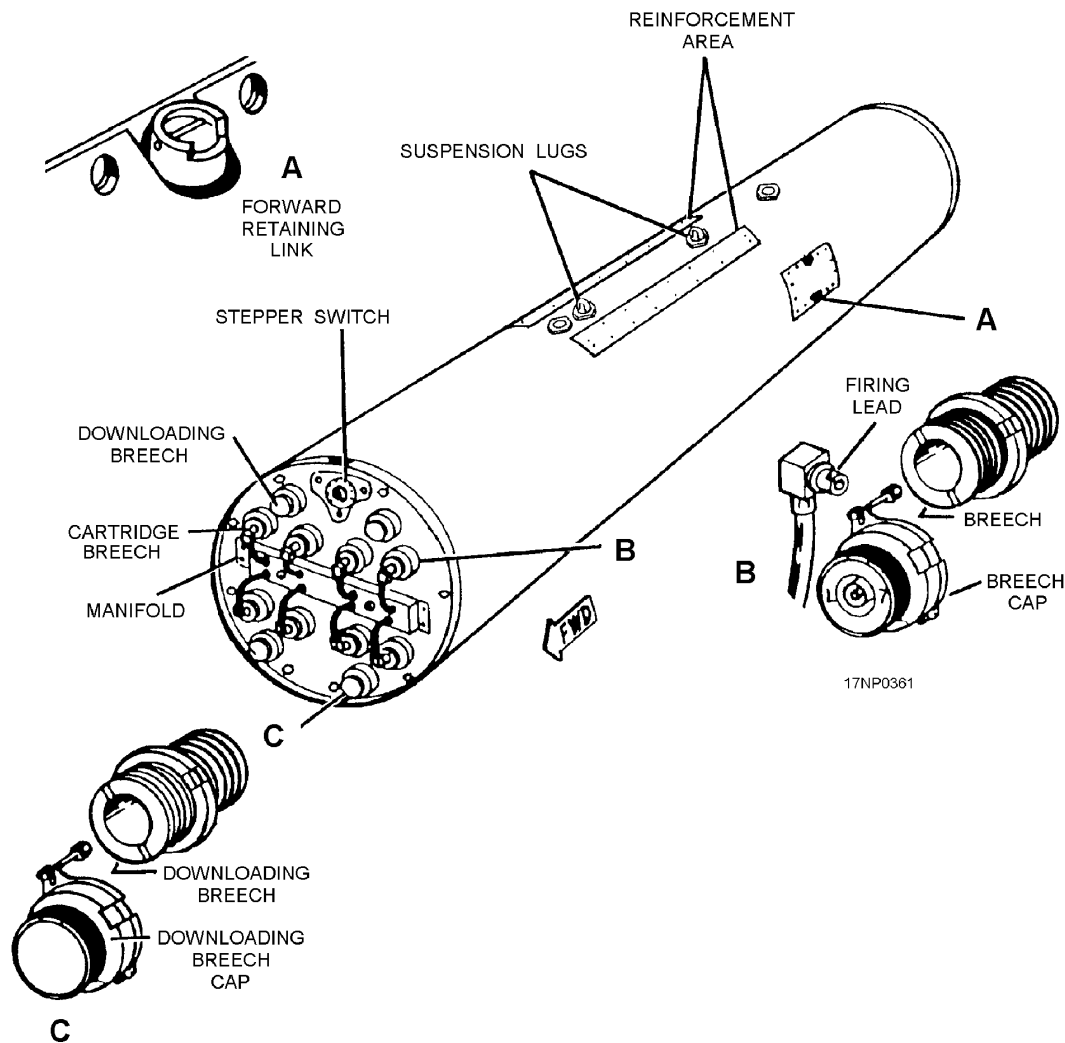


Figure 13-30.—SUU-25F/A downloading breeches.

5. Install four downloading breech caps and tighten.
6. Mark dispenser with the date loaded, munitions, lot number, timer setting, and electrical test date.

### SAFETY PRECAUTIONS

Safety precautions prescribe the minimum requirements and regulations you should observe when handling ammunition. These regulations may be general in nature or step-by-step procedures. Regardless of the situation, safety precautions must NEVER be ignored or bypassed, even during the simplest ammunition-handling evolutions.

If you are involved in weapons assembly, always review the applicable safety precautions before beginning the evolution. A few of these general safety precautions are as follows:

1. Fuze or defuze (electric fuzes only) bombs in handling rooms or spaces specifically designed for such purposes.
2. Normally, mechanical nose-fuzed, high explosive bombs are fuzed after the weapon is loaded on the aircraft. When the aircraft is carrier based, it must be spotted on the flight deck. Exceptions to this rule are authorized when loading bombs that require special fuzing RADHAZ susceptible units, integral fuzing, and all up rounds.
3. Detonators, boosters, primers or other firing devices aren't assembled in or removed from bombs unless specifically prescribed for the weapon.
4. Fuzes aren't allowed to accumulate at the fuzing stations. Never stockpile fuzes. They must be withdrawn from stowage on an as needed basis.

5. Never, under any circumstance, try to disassemble or repair a fuze. Also, never try to render inert a live, loaded item of ordnance.
6. Except as authorized by current directives, no attempt should be made to disarm a fuze.
7. Move assembled rocket ammunition to the designated storage area as soon as practicable after completion of assembly operations.
8. Don't make changes or additions to any ordnance or ordnance components without explicit authority from the Naval Air Systems Command.
9. Exercise particular caution when handling rocket motors to avoid propellant grain damage or fracture.
10. Don't connect electrical power or test equipment to a rocket launcher when rockets are installed.
11. Assemble and fuze airborne rockets in a designated assembly area and as close to the time of aircraft rearming as possible.

## CHAPTER 14

# AIRCRAFT LOADING AND UNLOADING PROCEDURES

After aircraft ordnance and ordnance accessories have been tested, they are approved for carriage and for release by a particular model aircraft. Information about ordnance and ordnance accessories can be found in the aircraft's Naval Air Training and Operating Procedures Standardization (NATOPS) flight/tactical manual. This manual is the basic authority for the types of ordnance and ordnance load combinations on each model aircraft. Deviation (change) from the basic authority must be approved before it can be made. The authority that approves deviations is the Naval Air Systems Command (NAVAIR).

The types of aircraft ammunition and armament equipment were covered in previous chapters. In this chapter, you will learn about loading and unloading ammunition and other armament equipment onto the aircraft.

### AIRBORNE WEAPONS/STORES LOADING MANUAL

**LEARNING OBJECTIVE:** *Identify requirements in airborne weapons/stores loading manuals as they pertain to loading and unloading aircraft ashore and afloat.*

The *Airborne Weapons/Stores Loading Manual*, known as the *Loading Manual*, standardizes loading procedures used throughout the Navy and Marine Corps. It improves safety and reliability in the loading of conventional weapons and airborne stores. You must follow the loading procedures in the *Loading Manual*. If there is a conflict between the *Loading Manual* and another publication, follow the procedures in the *Loading Manual* until NAVAIRSYSCOM solves the conflict.

The procedures in the *Loading Manual* are followed during aircraft loading. However, the physical size of the manual makes it impractical for use on the flight line. Therefore, the actual aircraft loading procedures for a weapon/store are condensed into an airborne weapons/stores checklist. An individual checklist is provided for each type of weapon/store to be loaded. This includes release and control system checks, retarded/nonretarded bombs, fire bombs,

pyrotechnics, and laser-guided bombs. Each member of the loading crew does **not** need a copy of a checklist during loading operations. However, crew leaders **MUST** use a checklist for the particular weapon/store being loaded. **Checklists are not complete guides. Only experienced crew leaders that have thorough knowledge and understanding of the loading manual need to use them.** Each checklist contains a required reading section that each member of the loading crew must understand before starting loading operations. To keep these loading manuals and checklists current, you should use the *Airborne Weapons/Stores Publication Index*, NAVAIR 01-700. This index provides activities with a guide that lists all existing changes or revisions for aircraft conventional weapons loading, release and control, airborne weapons support equipment (AWSE), chemical, and weapon assembly or disassembly checklists and manuals on hand. This publication index is updated quarterly.

### ASHORE, LPH, LHA, LHD, AND CV NATOPS MANUALS

**LEARNING OBJECTIVE:** *Identify the requirements in airborne weapons/stores loading manuals and the NATOPS manuals.*

The NATOPS manuals are issued by the authority of the Chief of Naval Operations (CNO) in conjunction with the Naval Air Training and Operating Procedures Standardization (NATOPS) program. The NATOPS manuals contain the best available operating instructions for most circumstances. The NATOPS is regulatory in nature; however, operational necessity may require modification of the procedures contained in it.

### TERMS

When you are involved in weapons loading and flight deck or flight line operations, there are certain weapons terms that you must know. Some of the more common terms are contained in Appendix I of this training manual.

## WEAPONS HANDLING PROCEDURES

Airborne weapons handling evolutions (loading/unloading) introduce a degree of risk into shore based and carrier based operations. They require careful planning and preparation. The necessity to train for and conduct combat operations creates risks that cannot be avoided when explosive weapons are handled.

### Weapons Loading and Downloading

The flight deck of an aircraft carrier is the preferred area to load or download an aircraft. Normally, the rearming area is adjacent to and aft of the island structure on the flight deck. When operationally necessary, however, the ship's commanding officer (CO) may authorize loading or downloading on the ship's bow while cyclic flight operations are in progress. Only a minimum quantity of weapons should be moved toward the ship's bow.

The CO may authorize loading limited amounts of weapons on the hangar deck when operationally necessary. However, this adds an additional risk of fire because there is both fuel and explosives in a confined area. Only aircraft scheduled for the next launch or an alert condition are authorized for loading on the hangar deck. Authorization is also restricted to the particular weapons shown in table 14-1.

According to the *CV NATOPS Manual*, fueling, loading and downloading weapons, and installing fuzes and arming wires simultaneously are authorized. However, you **can't** load forward-firing ordnance that requires simultaneous and/or prior electrical connections for loading while aircraft fueling is in progress. **Don't** make other electrical connections to weapons or remove/install impulse cartridges while aircraft are being fueled. **Don't** position the fuel hoses under the weapons/stores being loaded/downloaded.

When required, you may apply electrical power to the aircraft during a loading/downloading evolution. However, it should be held to a minimum, and it should be consistent with operational requirements. **Don't** apply electrical power to the armament or weapon release-and-control circuitry while weapons are being loaded/downloaded. Conduct loading/downloading weapons and oxygen servicing (other than the converter replacement at the aircraft) as separate evolutions.

## Arming and Dearming

Arm airborne weapons in the designated rearming area or the arming area. Generally, all weapons (except for forward-firing ordnance) are armed in the rearming area. This is done after engine turn up but before the aircraft is taxied. Weapons that are armed in the rearming area include retard/non-retard bombs, CBU's, and fire bombs. These arming functions are normally performed by the squadron's ordnance loading crew.

Aircraft loaded with forward-firing ordnance, such as aircraft guns, rockets, and missiles, are positioned in the arming area to arm the weapons. When the aircraft is located in the arming area, optimum safety is provided because the area directly in front of the aircraft is unobstructed by structures or personnel.

Arming functions are normally performed by the carrier air wing (CVW) arm and dearm crew (or MAG personnel on LFORM class ships) in the arming area under the supervision of the CVW ordnance officer. The crew is composed of ordnancemen from each squadron within the CVW. They are cross-trained and certified to arm and dearm all types of aircraft aboard the ship. The crewmembers work in their respective squadrons except during actual aircraft launch and recovery operations.

Airborne weapons are dearmed in the designated dearming area before or immediately after engine shutdown. All forward-firing ordnance is dearmed by the CVW arm and dearm crew before engine shutdown. All other ordnance is safed or dearmed by squadron ordnancemen in the dearming or rearming area after engine shutdown.

When arming or dearming an aircraft, aircraft arming and safing signals (tables 14-2 and 14-3) are used when crewmembers perform the arm and dearm procedures. These signals are used by both the squadron and CVW arm and dearm crews. Arming or dearming aircraft is conducted only when the aircraft is at a complete stop and control of the aircraft has been turned over to the arming crew supervisor.

### Hung or Unexpended Weapons

The CVW aircraft-dearming supervisor is always on the flight deck during recovery operations. By being there, he makes sure that the aircraft directors and the dearming crew coordinate their actions. The dearming supervisor tells the aircraft director which aircraft requires safing before it is taxied to the recovery spot.



Table 14-1.—Weapons Loading, Strikedown, Downloading, and Recovery Guide

WEAPON	HANGAR DECK		RECOVERY (8)	
	LOAD	STRIKEDOWN/ DOWNLOAD	UNEXPENDED	HUNG
General Purpose Bombs/LGB/JSOW/ AGM-154/JDAM	YES (1) (4)	YES (5)	YES (2)	YES (2)
2.75/5.00-inch Rocket Launchers (all)	NO	NO	YES	NO
Aircraft Parachute Flare (LUU-2B/B)	YES (10)	YES (10)	YES	YES
Tube Loaded Flare dispenser (loaded with LUU-2 flare)	YES (10)	YES (10)	YES	YES
20-MM Guns	YES	YES (6) (11)	YES	YES
25-MM Gun GAU-12	YES	YES (11)	YES	YES
Rockeye II/Gator	YES (4)	YES (5)	YES	YES
Sidewinders (all)	NO (3)	YES	YES	YES
HARM AGM-88A	NO (3)	YES (5)	YES	YES
Maverick AGM-65E/F	NO (3)	YES (5)	YES	YES
Harpoon AGM-84/SLAM AGM-84E	NO (3) (4)	YES (5) (12) (13)	YES (12)	YES (14)
Decoy Flare (all)	NO	NO	YES	YES
Torpedoes (all)	YES (4)	YES (5)	YES	YES
SUS (Mk 64)	YES	YES	YES	YES
TALD	YES	YES	YES	YES
Marine Marker (all)	YES	YES	YES	YES
Practice Bombs (all)	YES (4)	YES (5)	YES	YES
JAU-22/B and JAU-22/B Cartridge	YES	YES (8) (9)	YES	YES
Sparrow III	NO (3) (4)	YES (5)	YES	YES
Walleye Weapon (all)	YES (4)	YES (5)	YES (15)	YES (15)
Phoenix AIM-54 (all)	NO (3)	YES (5)	YES	YES
Mines (all)	YES (4)	YES (5)	YES	YES
GBU-24	YES (4)	YES (5)	NO (7)	NO (7)
Chaff (w/cartridges)	YES	YES	YES	YES

**Table 14-1.—Weapons Loading, Strikedown, Downloading, and Recovery Guide—Continued**

Notes:

1. No mechanical nose fuzes shall be installed on the hangar deck.
2. Arming wires/safety clips intact.
3. Air launched missiles shall not normally be loaded on the hangar deck except when operational commitments so dictate. Commanding officers may authorize loading of missiles on the hangar deck only up to the point of mechanical attachment of the weapon to the launcher/rack in accordance with the procedures prescribed in the appropriate NAVAIR weapon/store loading checklists.
4. Ejector cartridges shall not be installed on the hangar deck. Installation of ejector/jettison cartridges in the BRU-9/-10/-11 ejector bomb rack is authorized provided the rack is electrically disconnected and either the mechanical safety pin is installed or the IFOBRL mechanism is locked.
5. In the event of strikedown of a loaded aircraft to the hangar deck, the nose fuzes (as applicable) and ejector/jettison cartridges shall be removed immediately after the aircraft is in spot and tied down. Ejector/jettison cartridges may remain in the BRU-9/-10/-11 ejector bomb rack is authorized provided the rack is electrically disconnected and either the mechanical safety pin is installed or the IFOBRL mechanism is locked.
6. The M61A1 gun ammunition is exempt from downloading requirements for up aircraft temporarily spotted in the hangar decks and aircraft undergoing limited maintenance; that is, turnaround maintenance, providing compliance with all gun dearm procedures of the airborne weapon/store loading manual, associated check-lists, and store reliability card has been accomplished.
7. Guidance provided in this figure is subjected to individual aircraft tactical manual limitations.
8. Maintenance on-loaded aircraft (Chapter 6 of NAVAIR 00-80T-105) applies.
9. Sonobuoy chutes P-2 shall be downloaded immediately after aircraft is in spot and tied down.
10. Impulse cartridges must be removed for LUU-2 and dispenser with LUU-2.
11. Strikedown/download of aircraft jammed 20-MM/25-MM guns and gun pods is prohibited.
12. If an ITL signal has been initiated for a Harpoon/SLAM weapon, that weapon shall be treated as a hung weapon during recovery, downloading, and strikedown aboard ship.
13. An aircraft with ITL weapons aboard shall not be removed from the flight deck to the hangar deck until all ITL weapons have been downloaded.
14. When operationally feasible, aircraft shall be kept airborne for 35 minutes following an ITL abort/failure. Respot of an ITL aircraft is prohibited during peacetime operations until 2.5 hours have elapsed after the ITL abort/failure. Down load prior to completion of the 2.5 hour waiting period is authorized provided that the missile is moved to a safe area on the flight deck with the nose oriented outboard over the deck edge.

**WARNING**

Initiation of the ITL signal activates a battery within Harpoon/SLAM. With battery power available within the missile, electrical shorts occurring during aircraft recovery and /or while disconnecting the missile umbilical from the aircraft may actuate the missile engine/pyrotechnics. Battery voltage will remain sufficiently high to allow engine start for up to 35 minutes following ITL and to fire missile launch squibs within Harpoon/SLAM for up to 2.5 hours following ITL.

15. Walleye II loaded on F/A-18 is non-recoverable.

Table 14-2.—Aircraft Arming Signals


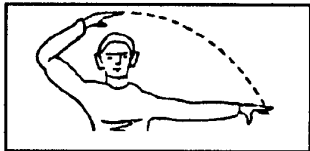
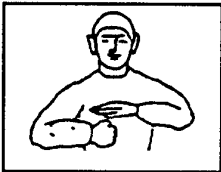
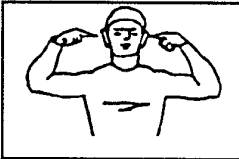
SIGNAL		MEANING	RESPONSE
DAY	NIGHT		
<p>1 ARMING SUPERVISOR: HANDS OVER HEAD WITH FINGER TIPS TOUCHING.</p> 	<p>RED BANDED WANDS OVERHEAD WITH TIPS TOUCHING.</p>	<p>PILOT/COPILOT/NFO: CHECK ALL ARMAMENT SWITCHES OFF OR SAFE.</p>	<p>PILOT/COPILOT/NFO: RAISE BOTH HANDS INTO VIEW OF ARMING SUPERVISOR AFTER CHECKING SWITCH POSITIONS. (HANDS REMAIN IN VIEW DURING CHECK AND HOOKUP).</p>
<p>2 ARMING SUPERVISOR: ONE HAND OVER HEAD; POINT TO ARMING CREWMEMBERS WITH OTHER HAND.</p> 	<p>SAME AS DAY BUT WITH RED BANDED WANDS.</p>	<p>ARMING CREW: PERFORM STRAY VOLTAGE CHECKS.</p>	<p>ARMING CREW: GIVE "THUMBS UP" TO ARMING SUPERVISOR IF NO STRAY VOLTAGE EXISTS. "THUMBS DOWN" INDICATES STRAY VOLTAGE PROBLEMS.</p> <p>NIGHT: VERTICAL SWEEP WITH FLASHLIGHT INDICATES NO STRAY VOLTAGE. HORIZONTAL SWEEP INDICATES STRAY VOLTAGE.</p>
<p>3 ARMING SUPERVISOR: RAISE FIST, EXTENDED UPWARD TO MEET HORIZONTAL PALM OF OTHER HAND.</p> 	<p>FORM A TEE RED BANDED WANDS.</p>	<p>ARMING CREW: ARM WEAPONS (AS APPLICABLE).</p>	<p>ARMING CREW: GIVE ARMING SUPERVISOR "THUMBS UP" WHEN ARMING COMPLETED AND CLEAR IMMEDIATE AREA. "THUMBS DOWN" IF MALFUNCTION EXISTS.</p> <p>NIGHT: VERTICAL SWEEP WITH FLASHLIGHT INDICATES ARMING COMPLETED. HORIZONTAL SWEEP INDICATES MALFUNCTION.</p>
<p>4 ARMING SUPERVISOR: RAISE BOTH HANDS WITH FINGERS POINTING TO SOUND ATTENUATORS.</p> 	<p>SAME AS DAY. TIPS OF RED BANDED WANDS TOUCHING SOUND ATTENUATORS.</p>	<p>ARMING CREW: PERFORM MISSILE CHECK.</p>	<p>PILOT: GIVE ARMING SUPERVISOR "THUMBS UP" IF TONE IS HEARD. "THUMBS DOWN" IF NO TONE.</p> <p>NIGHT: SAME AS SIGNAL 3 ABOVE.</p>

Table 14-2.—Aircraft Arming Signals—Continued

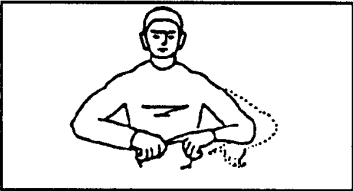


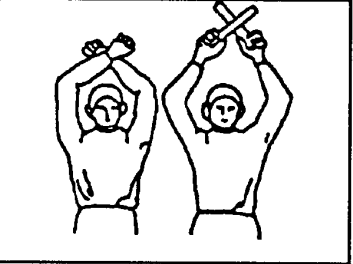
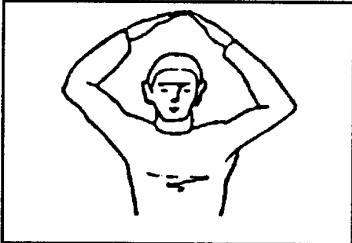
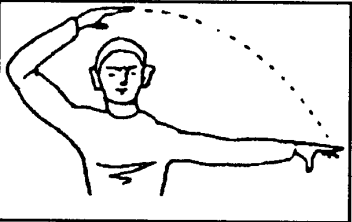
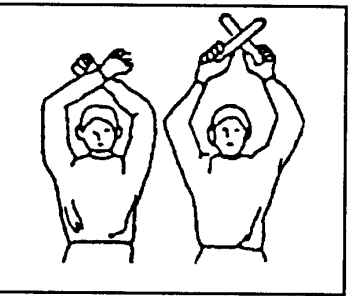
SIGNAL		MEANING	RESPONSE
DAY	NIGHT		
<p>5 ARMING SUPERVISOR: INSERT FINGER OF ONE HAND INTO CLENCHED FIST OF OTHER HAND AND GIVE EXTRACTING MOTION.</p> 	<p>TOUCH TIPS OF RED BANDED WANDS IN FRONT OF BODY. THEN MOVE ONE WAND LATERALLY IN A SWEEPING MOTION.</p>	<p>ARMING CREW: REMOVE BOMB RACK/PYLON SAFETY PINS.</p>	<p>ARMING CREW: SHOWS PINS TO ARMING SUPERVISOR AND CLEAR IMMEDIATE AREA.</p> <p>NIGHT: SAME AS SIGNAL 3 ABOVE.</p>
<p>6 ARMING SUPERVISOR: GIVE PILOT (A) THUMBS UP.</p>  <p>(B) THUMBS DOWN.</p> 	<p>(A) VERTICAL SWEEP WITH RED BANDED WAND.</p> <p>(B) HORIZONTAL SWEEP WITH RED BANDED WAND.</p>	<p>PILOT: (A) AIRCRAFT ARMED AND ALL PERSONNEL AND EQUIPMENT CLEAR.</p> <p>(B) AIRCRAFT DOWN FOR WEAPONS.</p>	<p>PILOT: (A) ACKNOWLEDGE WITH SIMILAR SIGNAL.</p> <p>(B) ACKNOWLEDGE WITH SIMILAR SIGNAL.</p>
<p>7 ARMING SUPERVISOR/ OBSERVER: CROSSED ARMS OVERHEAD, FISTS CLENCHED.</p> 	<p>CROSSED STANDARD RED WANDS HELD OVERHEAD.</p>	<p>SUSPEND ALL ARMING/ SAFETY OPERATIONS ON AIRCRAFT.</p>	<p>SUSPEND ARMING AND AWAIT FURTHER INSTRUCTIONS.</p>

Table 14-3.—Aircraft Safing Signals

SIGNAL		MEANING	RESPONSE
DAY	NIGHT		
<p>1 SAFING SUPERVISOR: HANDS OVER HEAD WITH FINGER TIPS TOUCHING.</p> 	<p>RED BANDED WANDS OVERHEAD WITH TIPS TOUCHING.</p>	<p>PILOT/COPILOT/NFO: CHECK ALL ARMAMENT SWITCHES OFF OR SAFE.</p>	<p>PILOT/COPILOT/NFO: RAISE BOTH HANDS INTO VIEW OF SAFING SUPERVISOR AFTER CHECKING SWITCH POSITION. (HANDS REMAIN IN VIEW DURING SAFING.)</p>
<p>2 SAFING SUPERVISOR: ONE HAND OVER HEAD, POINT TO SAFING CREWMEMBER WITH OTHER HAND.</p> 	<p>SAME AS DAY BUT WITH RED BANDED WANDS.</p>	<p>SAFING CREW: SAFE WEAPONS (AS APPLICABLE).</p>	<p>SAFING CREW: AFTER SAFING, GIVE SAFING SUPERVISOR "THUMBS UP" AND MOVE CLEAR OF AIRCRAFT.</p> <p>NIGHT: VERTICAL SWEEP WITH FLASHLIGHT WHEN SAFING IS COMPLETE.</p>
<p>3 SAFING SUPERVISOR/ OBSERVER: CROSSED ARMS OVERHEAD, FISTS CLENCHED.</p> 	<p>CROSSED STANDARD RED WANDS HELD OVERHEAD.</p>	<p>SUSPEND ALL ARMING/ SAFETY OPERATIONS ON AIRCRAFT.</p>	<p>SUSPEND SAFING AND AWAIT FURTHER INSTRUCTIONS.</p>

At times, aircraft return to the ship with hung or unexpended weapons. When this happens, the flight leader advises cognizant personnel aboard ship of the total quantity and type of hung or unexpended weapons on aircraft in that flight. As each of these aircraft approaches the ship, the air officer (air boss) announces the model and type of weapon problem over the flight deck announcing system.

After landing with hung weapons and/or forward-firing weapons, the aircraft is normally safed after taxiing clear of the landing area. However, at the discretion of the air officer, it may be safed in the landing area. Aircraft returning with unexpended weapons should be safed according to normal procedures.

### REVIEW NUMBER 1

- Q1. *If you want to find information on aircraft ordnance and ordnance accessories, you should \_\_\_\_\_ refer \_\_\_\_\_ to \_\_\_\_\_.*
- Q2. *To what authority should you submit a change to or request a deviation from a NATOPS flight or tactical manual?*
- Q3. *What command resolves conflicts between weapons/stores loading manuals and other publications?*
- Q4. *NATOPS manuals are issued by the \_\_\_\_\_.*
- Q5. *At sea, the responsibility for dearming forward-firing ordnance belongs to the \_\_\_\_\_.*

### BOMB LOADING AND UNLOADING PROCEDURES

LEARNING OBJECTIVE: *Identify the procedures used to load and unload bombs.*

As an AO, you will load ammunition on many different models of aircraft. However, the general loading and unloading procedures for most aircraft are similar. The procedures contained in this chapter don't cover every step of weapon preparation and loading. These procedures will give you basic information about representative types of ordnance that you might load in an operating squadron. The aircraft loading and unloading procedures covered in this section are

general, and they are limited to aircraft bombs. When loading practice bombs, you should handle them just like live ordnance, and you must use the appropriate checklist.

Before loading bombs onto an aircraft, you must prepare and inspect the aircraft. Step-by-step procedures must be carefully followed. These procedures are found in the applicable manuals.

### AIRCRAFT PREPARATION AND INSPECTION

The first step you should take when loading bombs onto parent racks and improved multiple ejector racks/improved triple ejector racks (IMERS/ITERS) is to make sure that the preloading release and control checks have been performed. Then make sure the aircraft is in the rearming area, and stations you are to load are accessible. You need to make sure that the aircraft is properly grounded.

**NOTE:** Electrical power may be applied to the aircraft during loading/unloading evolutions, but power is to be held to a minimum. The step "if applicable, power removed" may be omitted when operational requirements dictate that a power requirement is necessary. However, unless a step procedure in the checklist calls for power, don't energize the armament circuits. Remove power from the aircraft if the step "power removed" is not preceded by "if applicable."

If applicable, make sure that electrical power is removed from the aircraft. Also, make sure the aircraft is properly grounded. Ground the aircraft by using an authorized ground cable connected to a certified ground eyelet or a common static ground. Next, connect the cable to an authorized ground receptacle or unpainted surface of the aircraft. You should refer to *Electrical Grounding for Aircraft Safety, MIL-HDBK-247 (AS)*, for further information on aircraft grounding.

Ensure, if applicable, that safety pins are installed in all loaded parent racks, and verify that all cockpit armament selectors are in the OFF or SAFE position.

Next, open the pylon access doors on all parent stations to be loaded. Verify that the cartridges are removed from the breech chambers and the auxiliary release unit. Retract the sway braces to the full up position, retract the ejector foot to the full up position, and open all suspension hooks.

## REVIEW NUMBER 1 ANSWERS

- A1. *To find information on aircraft ordnance and ordnance accessories, you should refer to the applicable NATOPS flight/tactical manuals.*
- A2. *A change to or request for a deviation from a NATOPS flight or tactical manual should be submitted to the Naval Air Systems Command (NAVAIR).*
- A3. *NAVAIRSYSCOM resolves conflicts between weapons/stores loading manuals and other publications.*
- A4. *The Chief of Naval Operations (CNO) issues NATOPS manuals.*
- A5. *At sea, the responsibility for dearming forward-firing ordnance belongs to the CVW arm/dearm crew.*

If you are going to load an IMER/ITER, verify that an adapter connector and an electric fuze adapter harness (if applicable) are installed. Also, make sure the pullout bails are attached to the bail bar.

The following information will give you some idea of the steps you would follow to prepare or inspect an IMER/ITER for loading. Visually inspect the parent rack to ensure a safety pin is installed and the rack is locked. Make sure the parent rack breech caps are removed, the cartridges are not installed, and the parent rack sway braces and ejector foot are properly adjusted and positioned. Also, there should be an adapter connector installed in the aircraft and connected to the IMER/ITER with the pullout bail attached to the bail bar.

If electric fuzing is used, you need to check that an electric fuze adapter harness is installed and connected to the IMER/ITER. If applicable, make sure the pullout bail is attached to the bail bar. Then, disconnect the breech caps and verify that the cartridges are removed from all ejector units. Make sure the breech caps are positioned to prevent damage during weapons loading. Then, open all suspension hooks. Adjust the inboard sway braces to the diameter of the weapon. Adjust all other sway braces to the full up position. Finally, retract the ejector feet to the full up position.

## WEAPON INSPECTION

All weapons must be inspected before you can load them. If they don't meet the inspection criteria, you must reject them and notify the proper authority.

## WEAPONS LOADING

The method you use to load retard or non-retard bombs depend on the weight and configuration of the bombs and the operational commitments. For example, you can load a 500-pound bomb onto the rack of an IMER/ITER by using the HLU-196/E bomb-hoisting unit. But remember you are authorized to manually load most weapons or stores weighing 1,000 pounds or less with manual hoisting bars. To meet rearming requirements of high-tempo cyclic operations, you would normally use manual hoisting bars to load individual retard or non-retard bombs that weigh 1,000 pounds or less. Weapons weighing over 1,000 pounds are normally loaded with the HLU-196/E bomb-hoisting unit.

When the rack is ready to be loaded, position the weapon and the handling and loading equipment under the loading station. If applicable, prepare the weapon for bomb hoist loading by installing a hoisting sling on the bomb for single store hoisting. Then, you can install the bomb hoist on the rack and attach the hoist cable to the hoisting sling. Remove slack from the cable by operating the hoist. (Remember that one person is positioned at the front and one at the tail of the weapon to steady it while it is being hoisted.) Remove the tie-down straps that secure the weapon to the handling equipment.

If applicable, install a manual hoisting bar for manual loading by installing the HLU-256/E manual hoisting bar in the fuze well. Then, remove the weapon tie-down straps that secure the weapon to the handling equipment.

Now, the bomb hoist can be used to load the weapon.

If you use an electric fuze, hoist the weapon to about 10 inches below the rack. Connect the Mk 122 arming safety switch quick-disconnect connector (fig. 14-1) to the racks arming receptacle. Then, continue to hoist the weapon until both suspension lugs enter the suspension hooks, and the hooks latch. Visually inspect the hook lock indicators on parent racks for a hook locked indication on each set of hooks being used. Slack the hoist cable and shake the weapon gently to make sure the suspension hooks on the IMER/ITERs lock safety stop levers support it.

When you have finished loading the weapon on the rack, remove the manual hoisting bar or the bomb-hoisting unit. Then you can adjust the sway braces by taking the following actions:

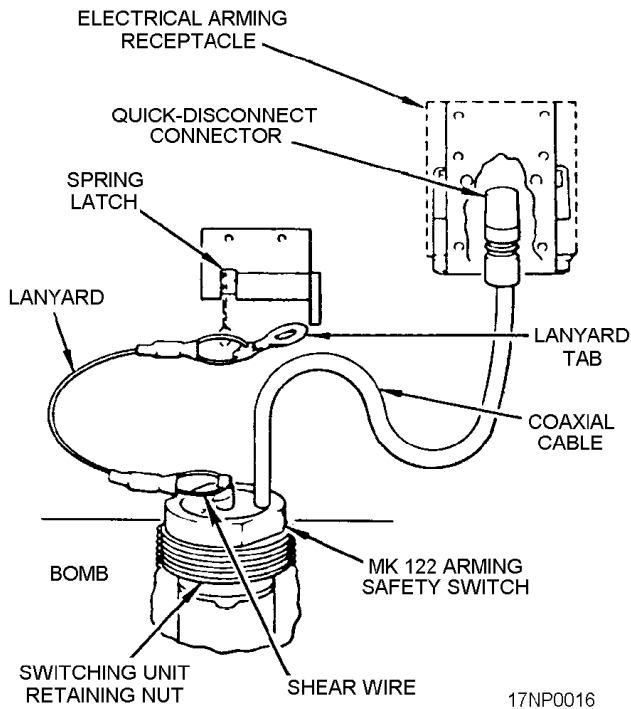


Figure 14-1.—Mk 122 arming safety switch.

**NOTE:** Unused sway braces should remain in the full up position with the jam nuts tightened.

- Adjust the sway brace adjusting screws until the sway brace pads contact the weapon.
- Simultaneously tighten the forward right and aft left sway brace screws one-quarter turn with a suitable wrench.
- Simultaneously tighten the forward left and aft right sway brace screws one-quarter turn.

**NOTE:** If all sway brace screws cannot be tightened one-quarter turn on final tightening, ensure the same amount of turn is applied to each sway brace screw. The total tightening of each sway brace screw should not exceed one-half turn.

- Tighten the jam nuts with a suitable wrench.

Next, you should adjust the ejector foot down until it makes contact with the weapon. Then back off to the first detent.

Then, if applicable, install the nose fuze or TDD.

Once fuzes are installed, you can install cartridges in all loaded IMER/ITER breech chambers. Screw the breech caps on all IMER/ITER breech chambers and hand tighten the breech caps. Verify that unloaded

IMER/ITER suspension hooks are open. Place a WEAPON LOADED sign in the cockpit. Remove tools and handling or loading equipment from the area.

Weapons are loaded on an IMER/ITER in much the same way as on a parent station. The major differences are as follows:

- After the weapon lugs have engaged the rack suspension hooks, the safety stop lever must be locked.
- The ejector foot must be positioned down against the weapon.

## POSTLOADING QUALITY ASSURANCE INSPECTION

A certified quality assurance inspector (QAR) performs the postloading quality assurance inspection after loading and fuzing is complete. A postloading quality assurance inspection makes sure that weapons are properly loaded and no procedural steps were omitted.

## REARMING AREA (BEFORE ENGINE TURN UP)

There aren't many procedures for you to carry out in the rearming area (before engine turn up). You will remove the WEAPON LOADED sign from the cockpit, and close and secure access doors. Normally, these procedures are performed at the same time as the pilot's aircraft walk around inspection before manning the aircraft.

## REARMING OR ARMING AREA (AFTER ENGINE TURN UP)

The procedures performed in the rearming area or arming area (after engine turn up) are done after the engine start and normally after the plane captain completes the pretaxi signals. Stations loaded with bomb-type ammunition and other stores are normally armed in the arming area. All forward-firing ordnance **must** be armed in the arming area. Final arming of bomb-type ammunition requires that a safety person be positioned in view of the pilot. The safety person notifies the pilot of the intention to remove safety pins, and ensures that the pilot places his hands in full view. When this is done, a member of the arming crew removes the safety pins from the racks. Finally, a crewmember unlocks the IMER/ITER safety stop levers.



## **DEARMING OR REARMING AREA (IMMEDIATELY AFTER ENGINE SHUT DOWN)**

Dearming procedures are performed after aircraft landing or ground abort. Aircraft bombs are normally dearmed in the rearming area. However, if the aircraft has missiles or rockets aboard, they are safed in the designated dearming area.

### **WARNING**

**Do not attempt to disarm a partially or fully armed fuze. Notify the proper authority (EOD). If any component is missing, loose, or damaged, notify the proper authority. If an arming wire is not installed in the fuze or arming device, the fuze or arming device may be armed. You should notify the proper authority.**

The first step you take when dearming an aircraft is to make sure the fuzes or arming devices or firing mechanisms are safe and arming wires are installed through fuze vanes and pop-out pins, as applicable. Then, inspect the weapons for missing, loose, or damaged components. If an IMER/ITER is involved, position the safety stop levers to lock on loaded racks. Install the safety pins in loaded stations.

**NOTE:** If an aircraft returns with unexpended ordnance, a WEAPON LOADED sign must be placed in the cockpit.

Check that all cockpit armament switches are OFF, SAFE, or NORM. As applicable, remove arming wires, lanyards, or lanyard tabs from empty stations. Finally, report the status of the aircraft to the proper authority.

## **UNLOADING PROCEDURES**

Before you unload a weapon from the rack, the aircraft should be in the rearming area. Make sure that electrical power to the aircraft is removed, and the aircraft is properly grounded. Verify the following: all cockpit armament switches are OFF or SAFE; that safety pins are installed in all loaded racks. Finally, if an IMER/ITER is being unloaded, verify that the safety stop lever is locked on each loaded ejector unit.

Now you can open the pylon access doors. If unloading an IMER/ITER (with a weapon) from the rack, remove the breech caps from the breech chambers, the cartridges from the breech chambers, position the breech caps to prevent damage during

unloading, and disconnect the adapter connector, and, if applicable, the electric fuze adapter harness from the IMER/ITER.

### **WARNING**

**Do not remove a fuze or arming wire that was not installed during loading procedures. Do not remove an arming wire unless the fuze safety pin or device is installed.**

Ensure that the M904E3/E4 fuze is safe by verifying the installation of the arming wire in the arming wire guide and the arming vane. Make sure you can't see a black letter A against a red background in the upper (external) window. If the arming delay isn't set on 6 or 18 seconds, the upper (external) window should be vacant. If the arming delay is set on 6 or 18, you should see matching numbers on a green background in the window. Then, you can install a safety wire through the arming wire guide and the arming vane.

### **WARNING**

**If the arming wire is not in place or if the upper (external) window indication is a black letter A against a red background, the fuze is armed. Do not attempt to change the arming delay settings to disarm the fuze, or to remove the fuze from the bomb. Notify the proper authority (EOD) when an armed or partially armed condition is indicated.**

### **WARNING**

**If a green background without the number 6 or 18 appears in the upper (external) window when the arming delay is set on 6 or 18, or if the number in the upper (external) window does not match the arming delay setting number, the fuze is partially armed. Notify the proper authority.**

Other actions you should take when unloading weapons include checking to see that the arming wire is installed in the pop-out pin for electric fuzes. If an electric fuze was used, you need to disconnect the Mk 122 arming safety switch lanyard tab from the spring latch. Then, if applicable, install the fin release band safety (cotter) pin. Disconnect the fin release wires, lanyards, and arming wires from the aircraft.

If applicable, you can remove the M904E3/E4 fuzes by installing a safety wire, and then removing the

arming wire and removing the fuze from the bomb. After you have removed the fuze, make sure the lower window is vacant or dark colored. Set the arming delay to 6 or 18 seconds. Then, make sure a green background with a white number 6 or 18, depending on the arming delay setting, appear in the upper window. The lower window must remain vacant or dark colored.

### WARNING

**If the lower window is red or has a black letter A against a red background, the fuze is armed. Notify the proper authority (EOD).**

**NOTE:** Each fuze must be checked for safety on the 6- or 18-second arming delay setting before it is returned to the weapons division.

Now you're ready to position the handling or loading equipment under the station you want to unload. As applicable, install a manual hoisting bar or a bomb-hoisting unit. Retract the ejector foot to the full up position. Then, retract the sway braces to the full up position. Position the required number of personnel at the front and at the tail of the weapon to steady and guide the weapon onto the bomb handling equipment. Raise the weapon until the suspension lugs float in the hooks. Remove the rack safety pin, or move the IMER/ITER safety lock lever from lock to unlock, as appropriate. Operate the manual release to open the suspension hooks and lower the weapon onto the handling or loading equipment. If an electrically fuzed bomb is being unloaded, lower the weapon approximately 4 inches, and then disconnect the Mk 122 arming safety switch quick-disconnect connector from the rack. Then, you can lower the weapon to the handling or loading equipment. Properly secure the weapon to the handling or loading equipment.

When all weapons have been unloaded, remove the WEAPON LOADED sign from the cockpit. Then, remove all weapons and handling or loading equipment from the area. Finally, report the status of the aircraft to the proper authority.

### REVIEW NUMBER 2

- Q1. *During a weapons inspection, you find a weapon or component that doesn't meet inspection criteria. What is the first step you should take?*
- Q2. *What is the maximum weight you are authorized to manually load/download?*

- Q3. *When manually loading GP bombs, what hoisting bar should you use?*
- Q4. *If a sway brace on a bomb rack isn't being used, it should remain in what position?*
- Q5. *What is the maximum tightening range of a sway brace screw?*
- Q6. *When you begin dearming an aircraft, what is the first step you should take?*

### SAFETY PRECAUTIONS

**LEARNING OBJECTIVE:** *Recognize the safety precautions to follow when loading or unloading aircraft.*

Safety precautions were given in this chapter as WARNINGS, CAUTIONS, and NOTES. However, there is other safety precautions that you should observe when loading or handling aircraft bombs and practice bombs. A few of these safety precautions are as follows:

- Before removing aircraft bombs from the weapons staging area, verify that the bombs are properly secured to the handling equipment.
- Aboard ship, when the bombs are delivered to the aircraft for loading, they must be positioned fore and aft to help prevent inadvertent movement of the handling equipment by the side-to-side roll of the ship.
- Once bombs have been delivered to the aircraft, a person must remain in the immediate area. Bombs must not be left on the flight deck unattended.
- Never attempt to load/download bombs without sufficient personnel.
- When installing signal cartridges in practice bombs, never assemble more bombs than are needed for the next event. When the day's flight schedule has been completed, practice bomb signals must be removed from practice bombs before returning them to storage.
- Because of the nonexplosive nature of practice bombs, AOs have a tendency to be lax when handling and loading practice bombs. Remember, a Mk 76 practice bomb weighs 25 pounds and could cause severe injury if dropped on a person's foot or hand. Additionally, when a practice bomb signal is installed and the bomb is accidentally dropped, sufficient fire and metal

fragments can be ejected from the tube to cause severe personal injury.

For further information concerning flight deck operational procedures, you should refer to the *NATOPS Manual*, NAVAIR 00-80T-105, and the *LHA, LPH, LHD NATOPS Manual*, NAVAIR 00-80T-106.

### REVIEW NUMBER 3

- Q1. What maximum amount of subcaliber practice bombs should be assembled at any one time?*
- Q2. When loading certain bombs, AOs tend to be careless and get injured. What type of bombs usually causes this attitude?*

### REVIEW NUMBER 2

#### ANSWERS

- A1. During a weapons inspection, you find a weapon or component that doesn't meet inspection criteria. You should reject the weapon, and notify the proper authority.*

- A2. You are authorized to manually load up to 1,000 pounds.*
- A3. When manually loading GP bombs, you should use the HLU-256/E hoisting bar.*
- A4. If a sway brace on a bomb rack isn't being used, it should remain in the fully up position with the jam nuts tightened.*
- A5. The maximum tightening range of a sway brace screw is not to exceed one-half turn.*
- A6. When you begin dearming an aircraft, the first step you should take is to make sure fuzes or arming devices or firing mechanisms are in a safe condition. Also, install arming wires through the fuze vanes and pop-out pins.*

### REVIEW NUMBER 3 ANSWERS

- A1. Only assemble the amount of practice bombs needed for the next event at any one time.*
- A2. When loading certain bombs, AOs tend to be careless and get injured. Practice bombs usually cause this attitude.*



## CHAPTER 15

# AIRCRAFT WEAPONS SYSTEMS

Modern supersonic fighter and attack aircraft attack a target automatically and accurately. These aircraft are designed and built as a completely integrated weapons system. The weapons subsystems are interconnected and dependent on each other or on other aircraft systems. For example, the bomb release system in some modes of operation depends on the aircraft's flight control system; the missile system is interconnected with the aircraft's radar system for missile guidance. In addition to delivering weapons more accurately, computer-controlled weapons systems provide a higher degree of safety by reducing human error.

The Navy currently uses the F-14 and F/A-18 fighter aircraft, the P-3 and S-3 aircraft, and the SH-3 and SH-60 helicopter antisubmarine warfare weapons systems. The F/A-18 is a dual-mission aircraft (fighter/attack), and is discussed under fighter aircraft. The weapons systems used in modern aircraft are complex. The information on fighter, attack, and antisubmarine warfare weapons systems in this chapter is basic. As you work in your rating, you will learn more about specific systems, and you will be trained in their operation.

### FIGHTER AIRCRAFT WEAPONS SYSTEMS

**LEARNING OBJECTIVE:** *Identify fighter aircraft weapons systems to include those used in the F-14 and F/A-18 aircraft.*

The following text discusses the F-14 and F/A-18 aircraft. You will be introduced to information on the available aircraft armament systems and the basic controls and components common to these systems.

### F-14 AIRCRAFT WEAPONS SYSTEMS

The F-14 aircraft is a two-seat (in-line), supersonic, fighter aircraft. It has a servo air fitting and ground cooling air inlet fitting. The servo air fitting provides air to operate servo valves in the environmental control system during built-in-test (BIT) checks and to pressurize the AWG-9 wave guide and gun gas purge valve operation during aircraft ground checks. The ground cooling air inlet fitting provides cooling air to electronic equipment during ground operation.

External power can be applied to all F-14 (series) aircraft. You can use mobile ac power plants, carrier, or hangar ac power cables to apply electrical power to the aircraft when the engines are not operating.

The aircraft armament system consists of a missile control system, multiple weapons release system, M61A1 20-mm automatic gun fire control system, AN/AWW-4 fuze function control system, AN/ALE-39 decoy dispensing system, and jettison system. The F-14 armament system consists of the following basic controls and components common to all systems:

- Air combat maneuver (ACM) panel
- Armament control indicator panel
- Displays control panel
- Control stick
- Master light control panel
- Landing gear handle
- Armament safety override switch

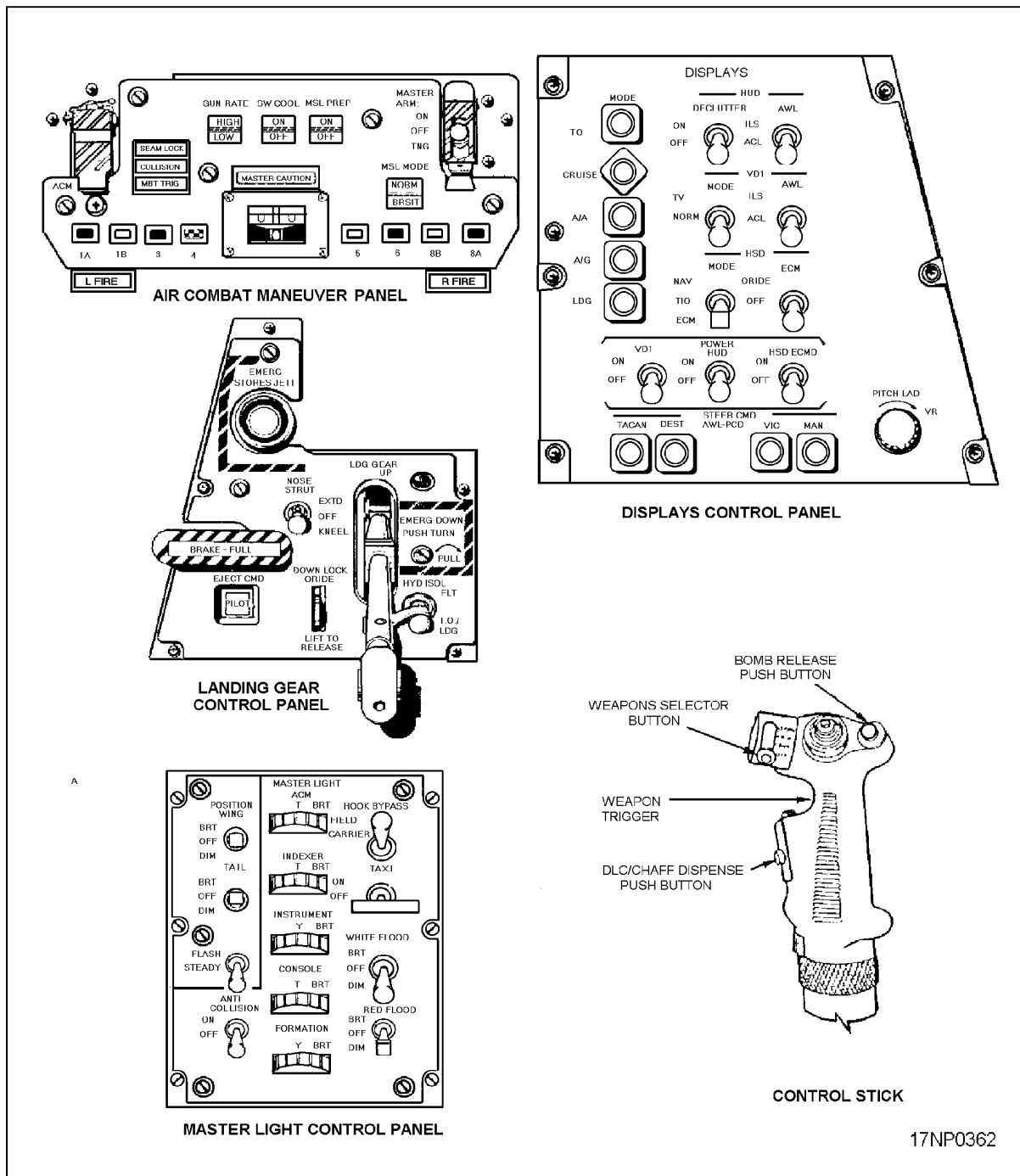


Figure 15-1.—F-14 control panels.

### Air Combat Maneuver (ACM) Panel

The ACM panel (fig. 15-1) is located on the forward cockpit center console. It contains switches for missile preparation, missile operating mode selection, and for arming the system. Indicators inform the pilot of weapon status, when the missile is locked on the target, and when the missile is ready to be launched. When the ACM encounter mode is selected, gun high-firing rate and the AIM-9 missile cooling are automatically selected. The ACM panel switches are discussed in the following paragraphs.

### Armament Control Indicator Panel

The armament control indicator panel (fig. 15-2) is located in the aft cockpit left vertical console. It contains the attack mode (ATTK MODE) selector switch, weapon-type (WEP TYPE) thumb-wheel switch, electric fuze (ELECT FUZE) selector switch, delivery (DLVY MODE) switches, delivery options (DLVY OPTNS) switches, station set (STA SET) switches, missile option (MSL OPTION) switches, missile speed gate (MSL SPD GATE) selector switch, and select jettison (SEL JETT), tank jettison (TANK

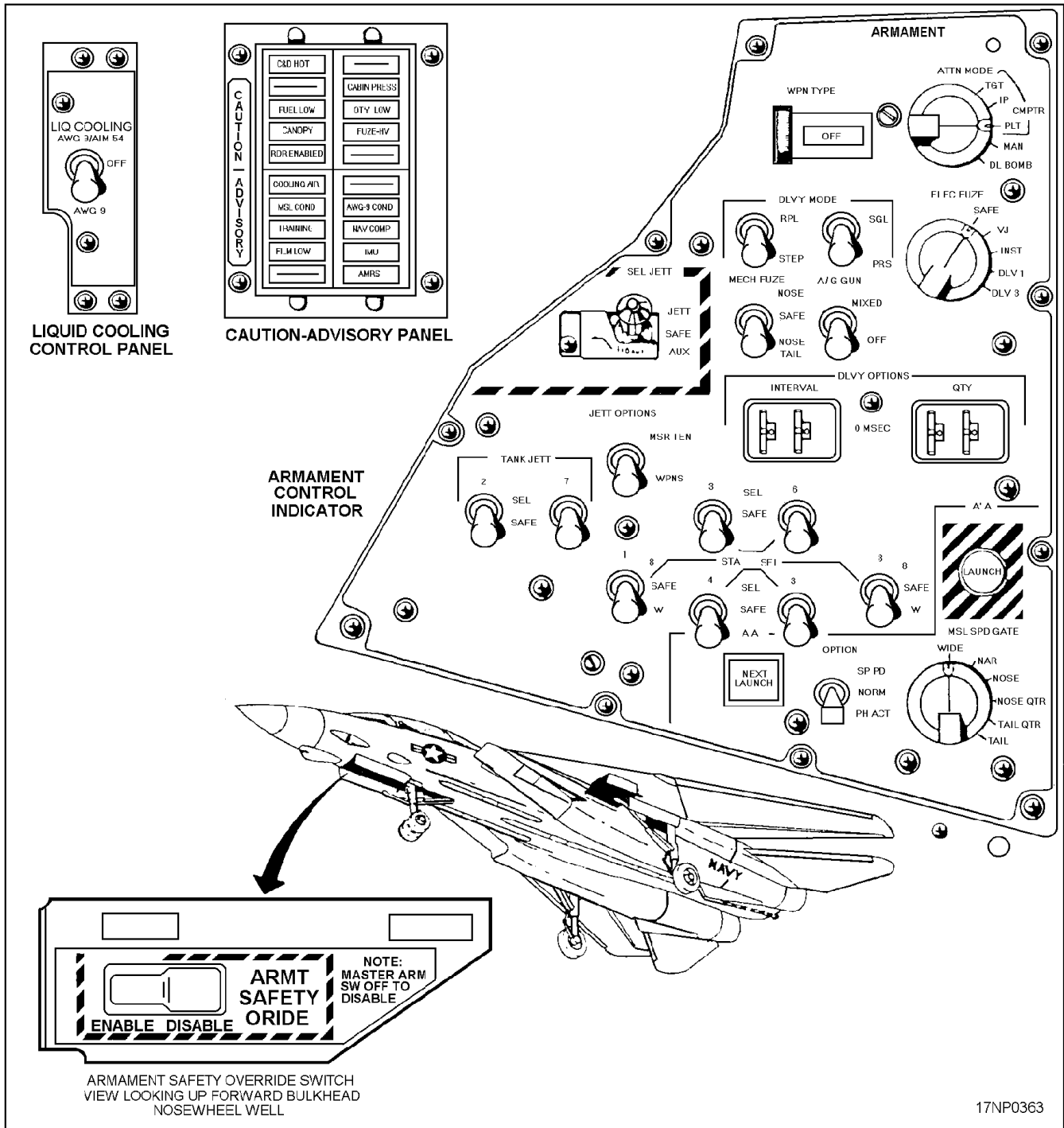


Figure 15-2.—F-14 weapons control panels.

JETT), and jettison options (JETT OPTIONS) switches.

### Displays Control Panel

The displays control panel (fig. 15-1) is located on the forward cockpit's right vertical console. It contains the air/ground mode (A/G MODE) push-button switch

for air-to-ground mode selection, the air/air mode (A/A MODE) push-button switch for air-to-air mode selection, and the all-weather landing/precision course direction (AWL/PCD) push-button switch for the all-weather landing or precision course direction mode. The AWL/PCD switch is used when bombs are to be released by using the data link system.

## **Control Stick**

The control stick (fig. 15-1), located in the forward cockpit, contains the weapons selector button, weapon trigger, bomb-release push button, and the DLC/CHAFF DISPENSE push button.

## **Master Light Control Panel**

The master light control panel (fig. 15-1) is located on the right side console of the forward cockpit. It contains the ACM thumb-wheel control, which controls the 26 volts of ac to the ACM panel indicator lights.

## **Landing Gear Handle**

The landing gear handle (LDG GEAR) handle (fig. 15-1) is located on the left vertical console of the forward cockpit. It operates a switch assembly that functions as an armament safety device. As such, it prevents accidental missile launching, bomb release, rocket firing, and ACM encounter jettison of external weapons/stores when the aircraft is on the ground. Master arm power is prevented when the LDG GEAR handle is in the down (DN) position. When the LDG GEAR handle is in the UP position, the fire control system master arm power is available.

## **Armament Safety Override Switch**

The armament safety override (ARM SAFETY ORIDE) switch (fig. 15-2) is located in the nosewheel well. It is a magnetically held closed switch. The switch is used as an armament safety override to bypass the open landing gear safety circuit when the LDG GEAR handle is in the DN position. This lets you make functional checks of the system during ground maintenance.

## **Missile Control System**

The missile control system consists of the controls and components you have already read about. It also contains the following missile system controls and components:

- Weapons status indicators
- Liquid (LIQ) cooling control panel
- Aft cockpit caution advisory panel

The AIM-54 and AIM-7 missile fire control systems help to select, prepare, and launch AIM-54 and

AIM-7 missiles. The AIM-54 is a long-range, semiactive, radar midcourse guided and active radar terminal guided missile. It operates in either the normal or boresight mode. The F-14 carries a maximum of six AIM-54 missiles—two are suspended from multipurpose pylons on stations 1B and 8B, and the remaining four at weapons rail stations 3R, 4R, 5R, and 6R. The AIM-7 is a medium-range, semiactive, radar-guided missile. It also operates in either the normal or boresight mode. The F-14 carries a maximum of six AIM-7 missiles—two are suspended from multipurpose pylons on stations 1B and 8B and four at semisubmerged fuselage stations 3, 4, 5, and 6.

The AIM-9 fire control system enables selecting, preparing, and firing of the AIM-9 (series) missiles. The AIM-9 missile is a supersonic, short-range, air-to-air intercept missile that uses passive infrared for target detection and guidance. The F-14 carries a maximum of four AIM-9 missiles—one missile each on stations 1A, 1B, 8A, and 8B.

The weapons status indicators are located on the ACM panel. They notify the pilot of the weapon status of the AIM-9 missiles on stations 1A, 1B, 8A, and 8B.

The Sidewinder cool (SW COOL) switch (fig. 15-1) is a two-position, push-button switch on the ACM panel. This switch is used to generate the AIM-9 missile cool signal to cool the missiles. When in the ACM encounter mode, AIM-9 missile cooling is automatically selected, regardless of the SW COOL switch position.

The throttle quadrant, located on the left side console of the forward cockpit, contains the CAGE/SEAM push-button switch for initiating the Sidewinder expanded acquisition mode (SEAM) lock-on command. The pilot presses the CAGE/SEAM push-button switch when the missile is locked on the target, as indicated by the AIM-9 tone in the pilot headset. The SEAM LOCK advisory indicator, located on the ACM panel, lights to notify the pilot that the AIM-9 missile selected is locked on the target. A tone volume control panel with a SW potentiometer, located on the pilot's left side console, controls the AIM-9 tone to the pilot's headset.

## **Multiple Weapons Release System**

The multiple weapons release system has basic controls and components and multiple weapons system controls and components. They are discussed in the following paragraphs.



The bomb release and rocket control systems enable selecting, preparing, and delivering of the air-to-ground stores. Weapons that can be carried on stations 3R, 4R, 5R, and 6R range from general-purpose bombs of various sizes to CBU, LAU-10, and GBUs.

### **M61A1 20-MM Automatic Gun Fire Control System**

The M61A1 20-mm automatic gunfire control system enables selecting, arming, and firing of the gun. Depending upon the mission objective, the gun fire control system can be operated in an air-to-ground (A/G), air-to-air (A/A), or air combat maneuver (ACM encounter) mode. Two attack modes of operation are available—computer pilot attack mode and manual attack mode. The computer pilot attack mode operates with the weapon control system, command signal decoder system (CSDC), and the vertical display indicator system to display target data. The manual attack mode is used primarily as a backup mode to provide a manually controlled sight reticule if a system malfunction occurs.

**GUN RATE SWITCH.** The GUN RATE switch (fig. 15-1) is located on the ACM panel. It is a two-position, push-button, indicator switch that selects HIGH (6,000 rounds per minute) or LOW (4,000 rounds per minute) rate of fire. This switch is only active in the A/G and A/A modes.

**A/G GUN SWITCH.** The A/G GUN switch (fig. 15-2) is located on the armament control indicator panel. It is a two-position toggle switch that enables or inhibits a mixed bomb and gun mode operation. The MIXED position enables bomb and gun mode operation while the OFF position inhibits it.

**GUN CONTROL UNIT.** The gun control unit, located above the gun barrels, contains the BURST selector switch. This switch limits the number of rounds that can be fired per burst (50, 100, or 200), or it permits unrestricted firing (MAN position).

**HOOK/GUN PANEL.** The HOOK/GUN panel, located on the forward cockpit vertical console, contains the gun rounds counter. This counter provides digital countdown readout of the rounds remaining.

### **Decoy Dispensing Systems**

The F-14 aircraft uses the AN/ALE-39 decoy dispensing system. The CHAFF/FLARE DISPENSE panel is located on the aft cockpit right side console.

The MANUAL DISPENSE switch on the CHAFF/FLARE DISPENSE panel is used to initiate rounds from the aft cockpit. Rounds can also be initiated from the forward cockpit by the decoy dispense push button on the control stick.

### **Jettison System**

The jettison system allows jettison of certain external stores. There are four jettison modes:

1. Emergency, which is pilot controlled
2. ACM encounter, which is NFO selected and pilot controlled
3. Selective, which is NFO controlled
4. Auxiliary, which is NFO controlled (BRU-32 air-ground weapons)

In all modes, arming and fuzing is disabled during jettison operations. The landing gear handle must be UP for ACM encounter, selective and auxiliary jettison modes.

### **Aircraft Armament Configuration Capabilities**

The basic armament configuration (fig. 15-3) of the F-14 aircraft consists of four fuselage-mounted LAU-92 missile launchers and an internally mounted M61A1 20-mm gun. However, the aircraft has a total of eight weapons stations that hold a variety of missile launchers and weapons rails. Figure 15-4 shows the location of weapons stations 1 through 8. Figures 15-5 through 15-12 show the various station and equipment configurations.

For more information on the authorized configurations of aircraft, you should refer to *F-14 Tactical Manual*, NAVAIR 01-F14AAA-1T. If you want more information on F-14 weapons systems, refer to *Airborne Weapons/Stores Loading Manual*, NAVAIR 01-F14AAA-75.

### **REVIEW NUMBER 1**

- Q1. What naval aircraft is a dual-mission, fighter-bomber?*
- Q2. The F-14 aircraft incorporates the \_\_\_\_\_ chaff dispensing system.*
- Q3. When the landing gear handle is in the down position on the F-14 aircraft, what switch is used to bypass the open loading gear safety circuit?*

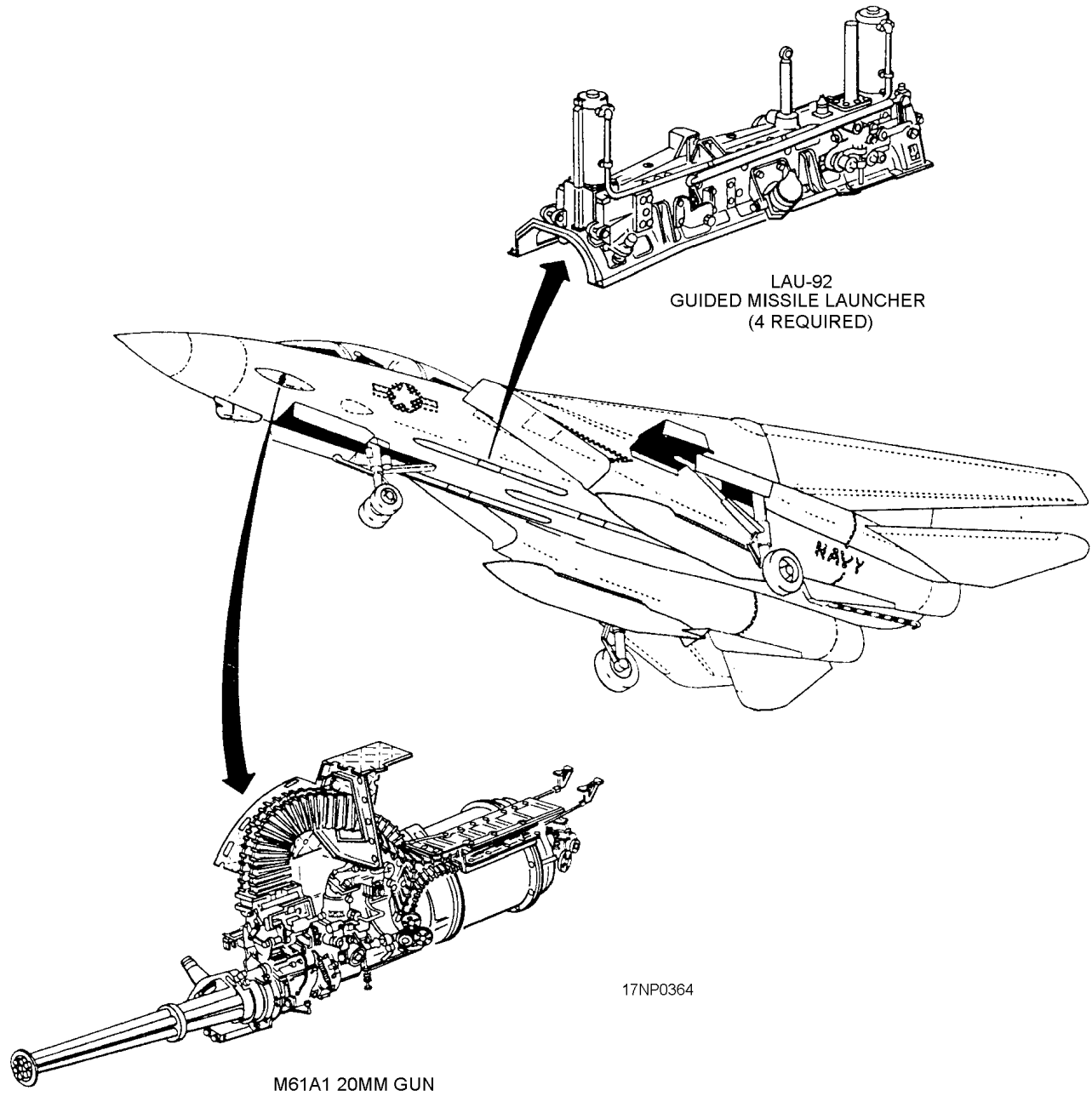
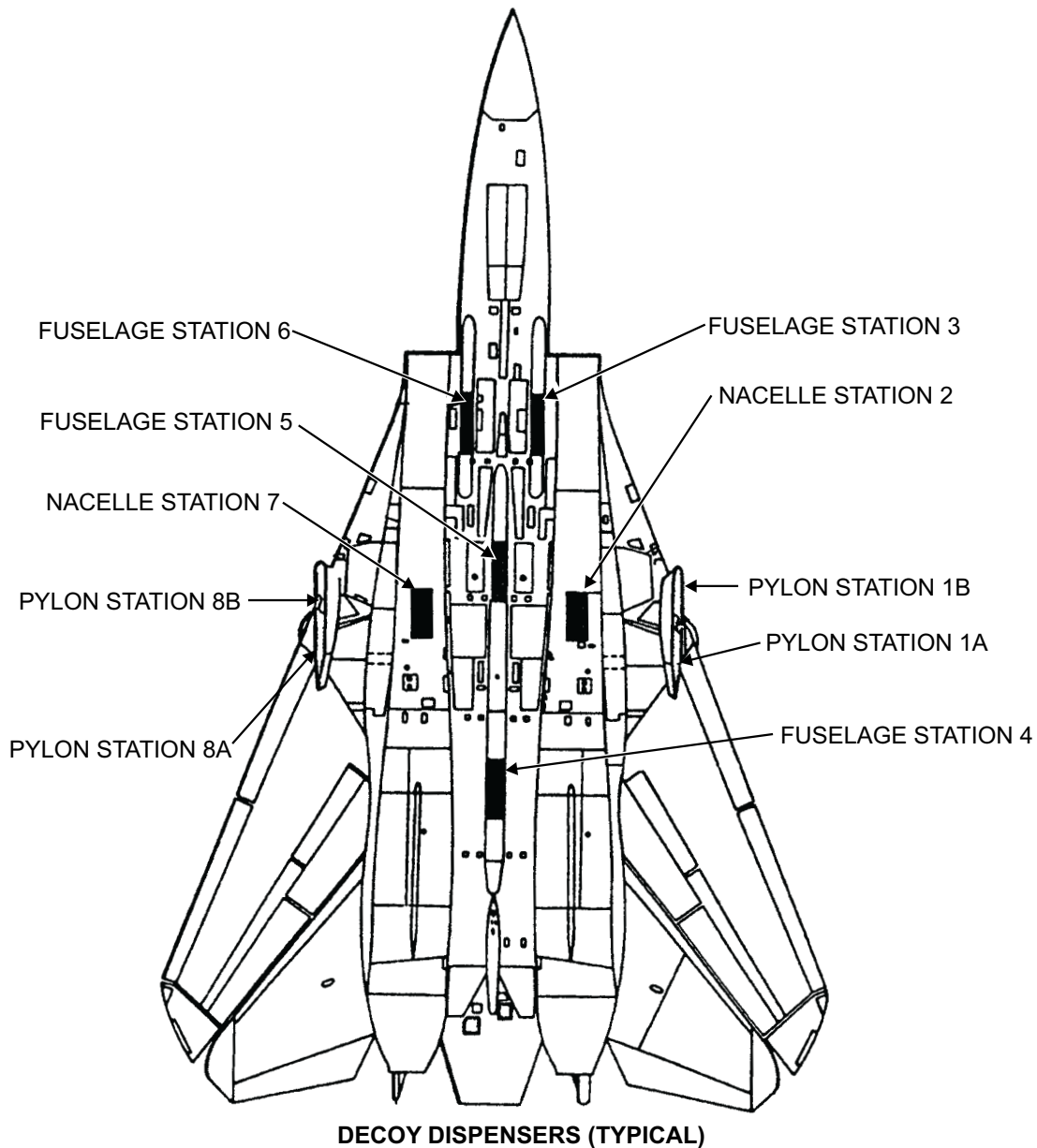


Figure 15-3.—Basic armament configuration.

- |  |  |
|--|--|
| <p>Q4. The F-14 aircraft can hold a maximum of _____ AIM-54 missiles.</p> <p>Q5. List the fuselage stations of the F-14 aircraft that are used to suspend AIM-7 missiles.</p> <p>Q6. The F-14 aircraft can hold a maximum of _____ AIM-9 missiles?</p> <p>Q7. List the stations of the F-14 aircraft that are used to carry Sidewinder missiles.</p> | <p>Q8. What are the HIGH and LOW rates of fire for the M61A1 gun when it is mounted in the F-14 aircraft?</p> <p>Q9. What switch on the F-14 aircraft limits the number of rounds that are fired per burst?</p> <p>Q10. List the four jettison modes of the F-14 aircraft.</p> |
|--|--|



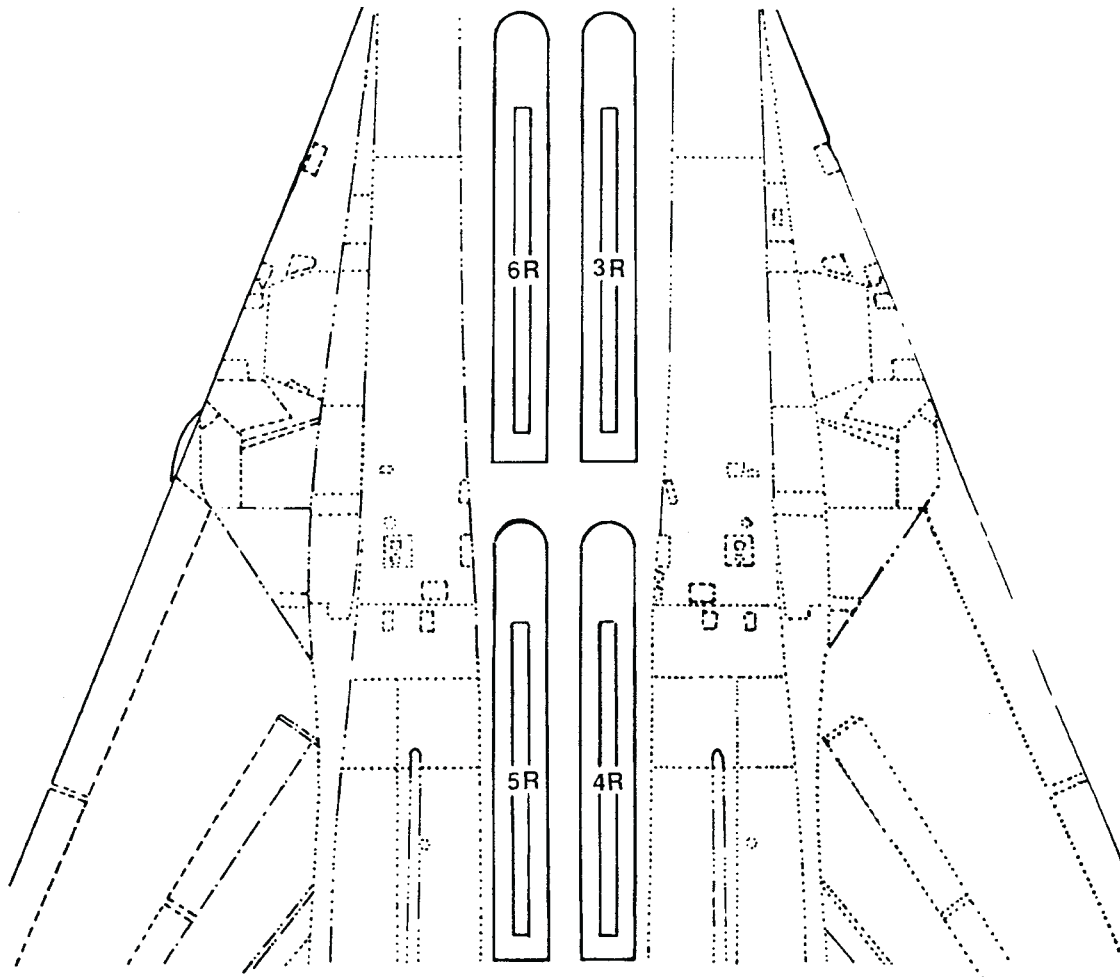
DECOY DISPENSERS (TYPICAL)

VIEW LOOKING UP

EQUIPMENT	FUSELAGE, NACELLE, AND PYLON STATIONS									
	1A	1B	2	3	4	5	6	7	8A	8B
LAU-7/LAU-138 GUIDED MISSILE LAUNCHER	X	X							X	X
LAU-92 GUIDE MISSILE LAUNCHER		X		X	X	X	X			X
LAU-93/LAU-132 GUIDED MISSILE LAUNCHER		X								X
MXU-611/MXU-776/A, 777/A FUEL TANK RELEASE MECHANISM			X					X		

AO1504

Figure 15-4.—Location of weapons stations.



VIEW LOOKING UP

EQUIPMENT	WEAPONS RAIL STATION			
	3R	4R	5R	6R
LAU-93/LAU-132 GUIDED MISSILE LAUNCHER	X	X	X	X
BRU-32	X	X	X	X
BUR-42	X	X	X	X
ECA	X			

AO1505

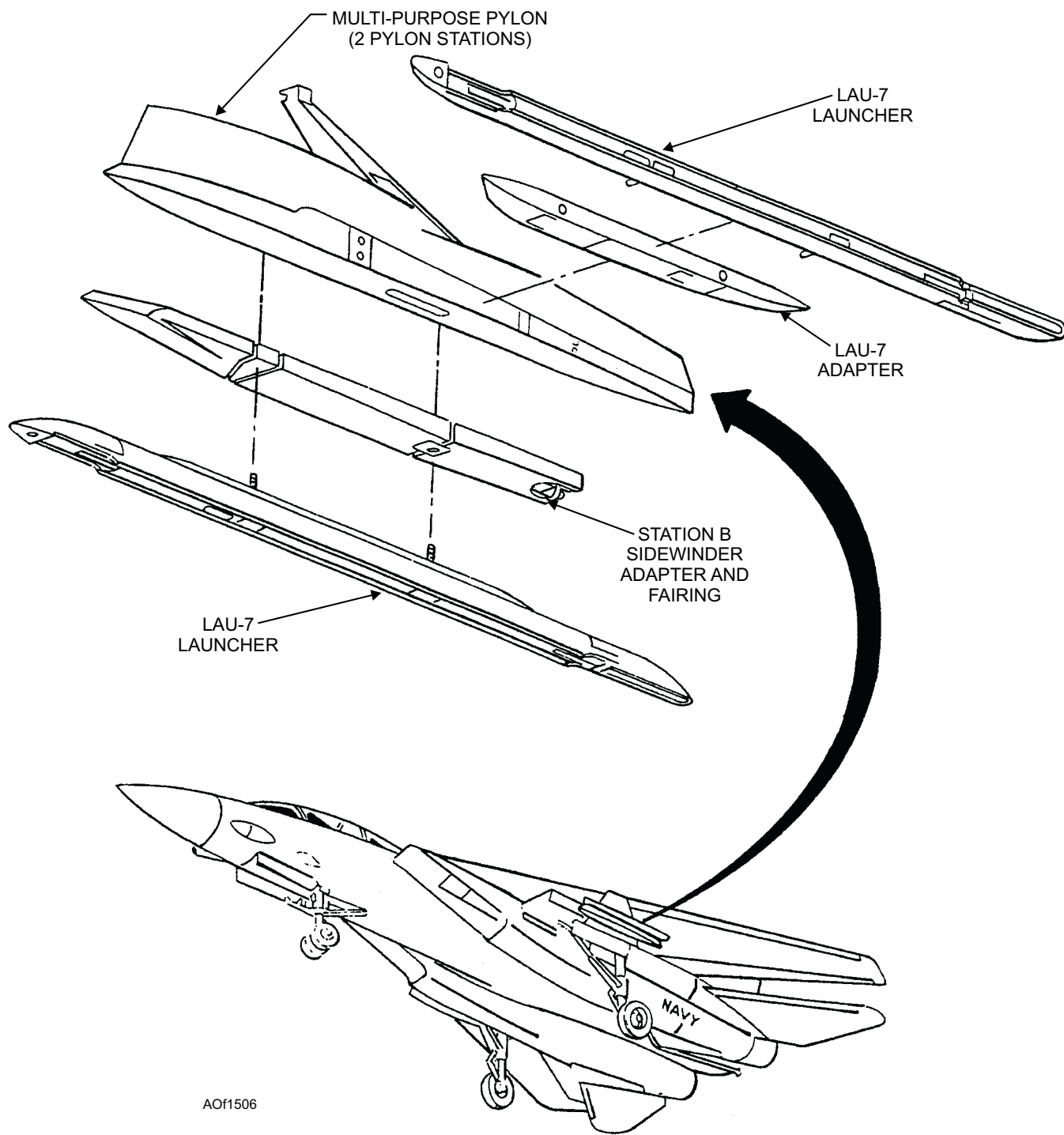
Figure 15-5.—Station configuration capabilities.

Q11. What jettison mode is the only one controlled by the pilot?

### F/A-18 AIRCRAFT

The F/A-18 aircraft is a single-seat, dual-role (fighter/bomber), and supersonic aircraft. External electrical power can be applied at the external power

receptacle on the left side of the forward fuselage. This is easily accessible from the deck level. The external power connector connects 115/208-volt, three-phase, 400-hertz ac external power to the ac bus. When external power is not available, the aircraft has an auxiliary power unit (APU) to drive either of the aircraft generators for functional checkout of the aircraft system.



AOf1506

Figure 15-6.—LAU-7 configuration on aircraft.

The systems and subsystems of the F/A-18 aircraft armament system are discussed in the following text. The aircraft armament system, basic controls, and components all function in relation to each other.

### Ground Power Control Panel Assembly

The ground power control panel assembly has four toggle switches. Three of these switches control the

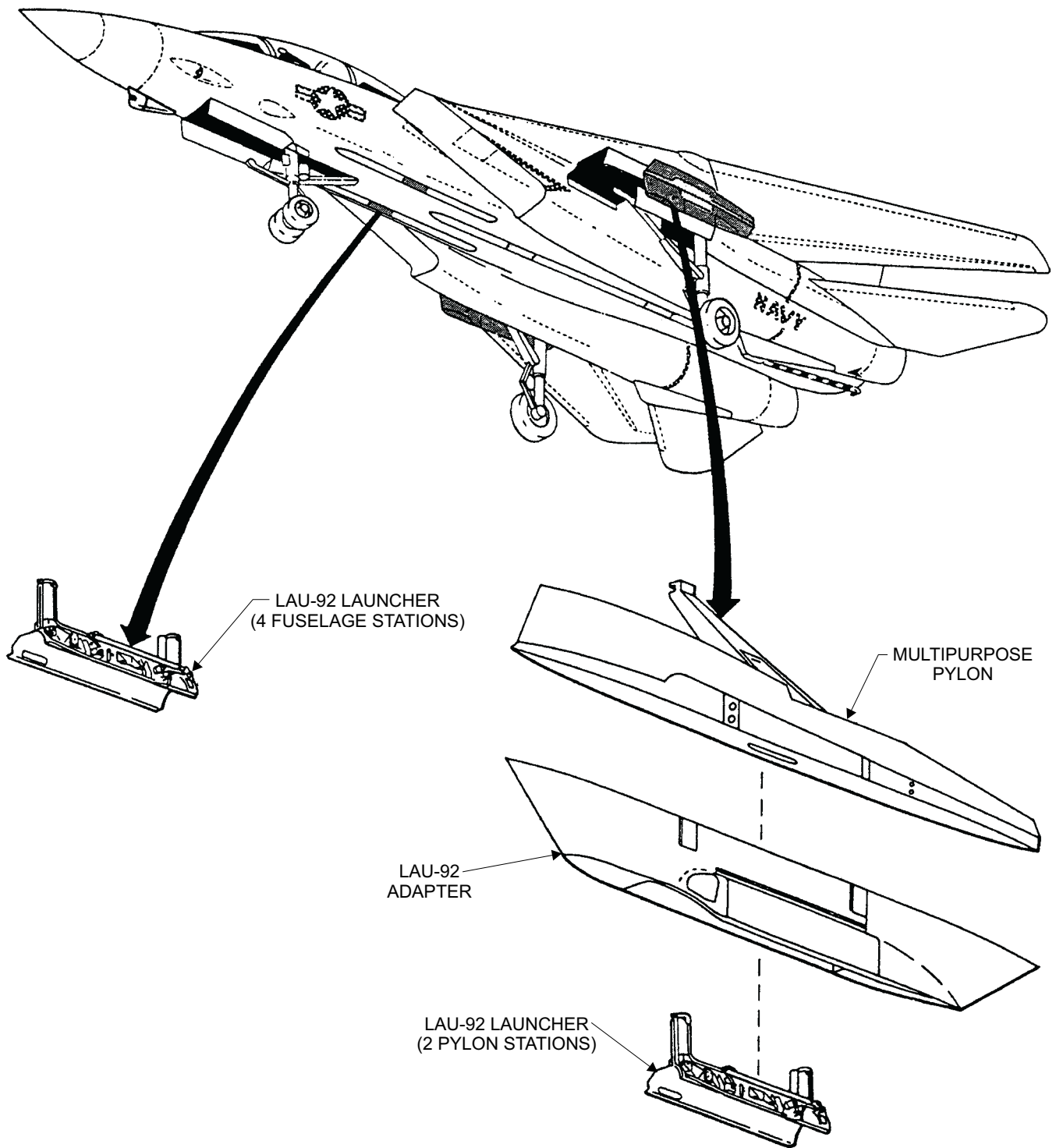
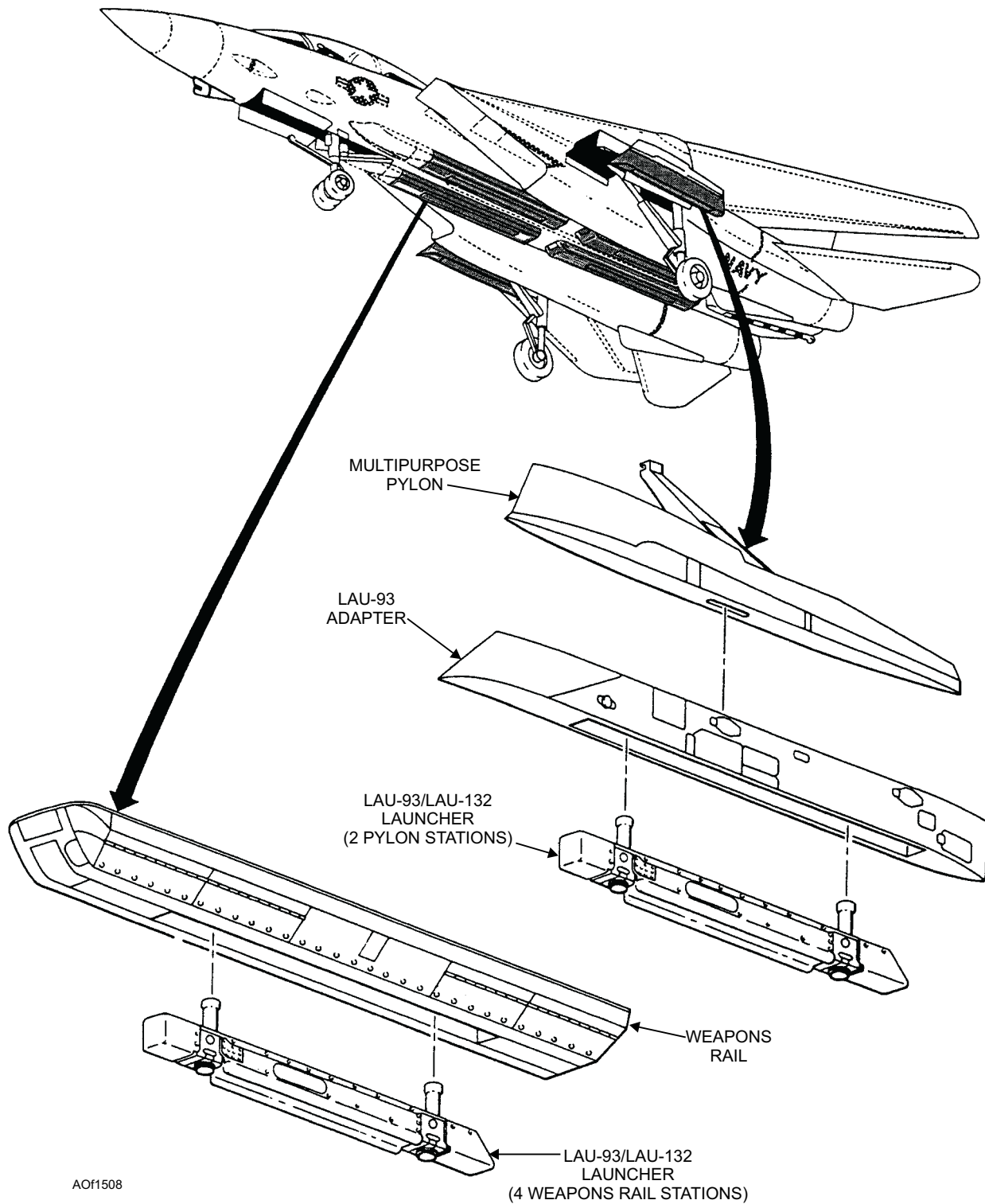


Figure 15-7.—LAU-92 configuration on aircraft.

application of external power to avionics and instrument systems. This prevents excessive equipment operating time because of other unassociated ground operations.

The EXT PWR (external power) switch is a three-position switch used to apply electrical power to the aircraft. In the NORM (normal) position, electrical power is supplied to the aircraft. In the OFF position,



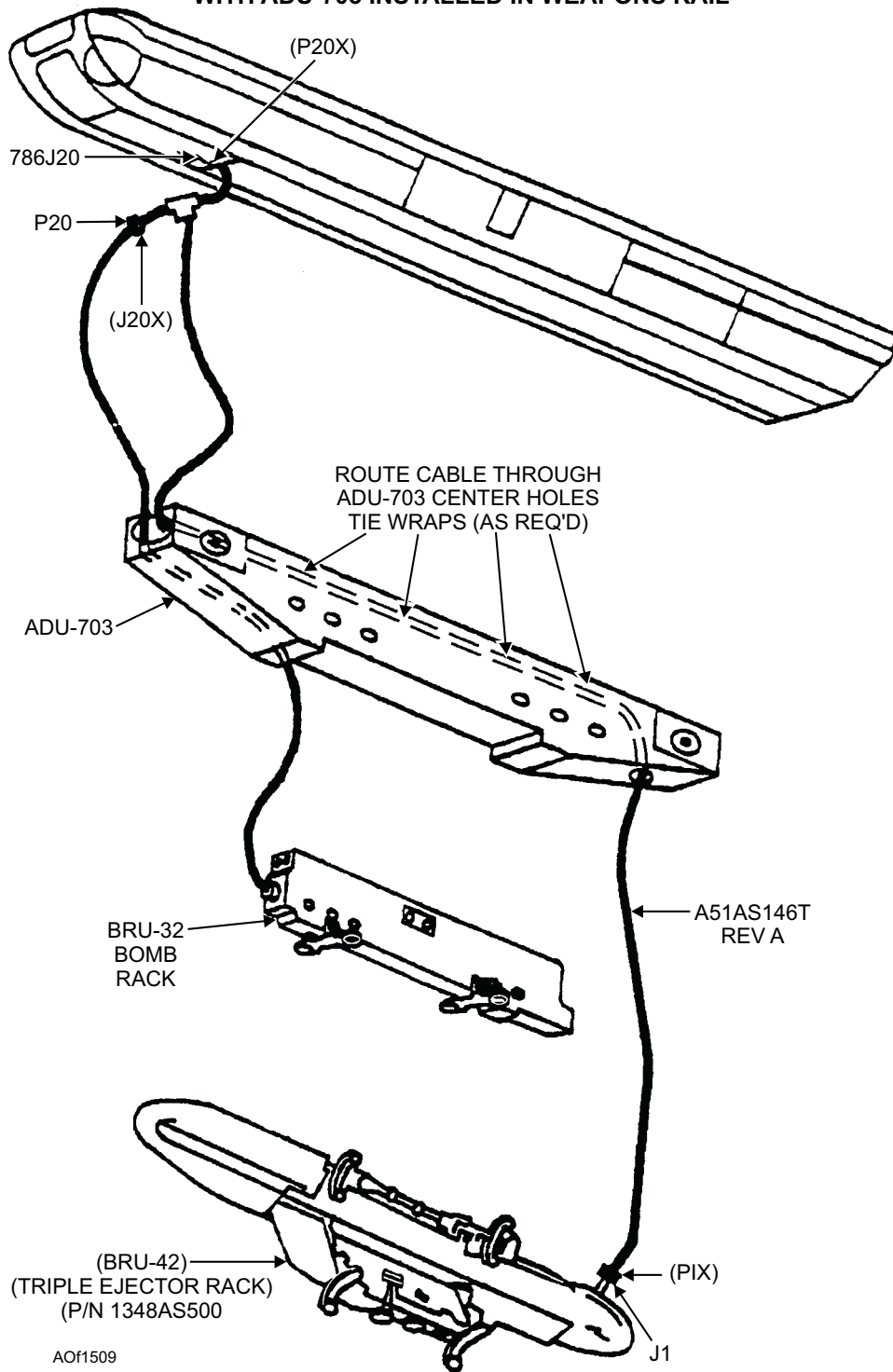
AOf1508

Figure 15-8.—LAU-93/LAU-132 configuration on aircraft.

no power is supplied to the aircraft. The RESET position resets power for the external monitoring circuit when there is a temporary overload. Switch 1 is a three-position switch with B ON to provide enabling power to the mission computers. Switch 2 is a three-position switch with B ON to provide enabling

power to the digital display indicators (DDIs). The B ON switch also enables power to the aircraft radar. Switch 3 is a three-position switch with B ON to provide enabling power to the armament computer stores management panel (SMP), AN/AWW-4 system, HARM system, and the AN/ALE-39 system.

**ITER CABLE CONNECTIONS CAN BE PERFORMED WITH ADU-703 INSTALLED IN WEAPONS RAIL**



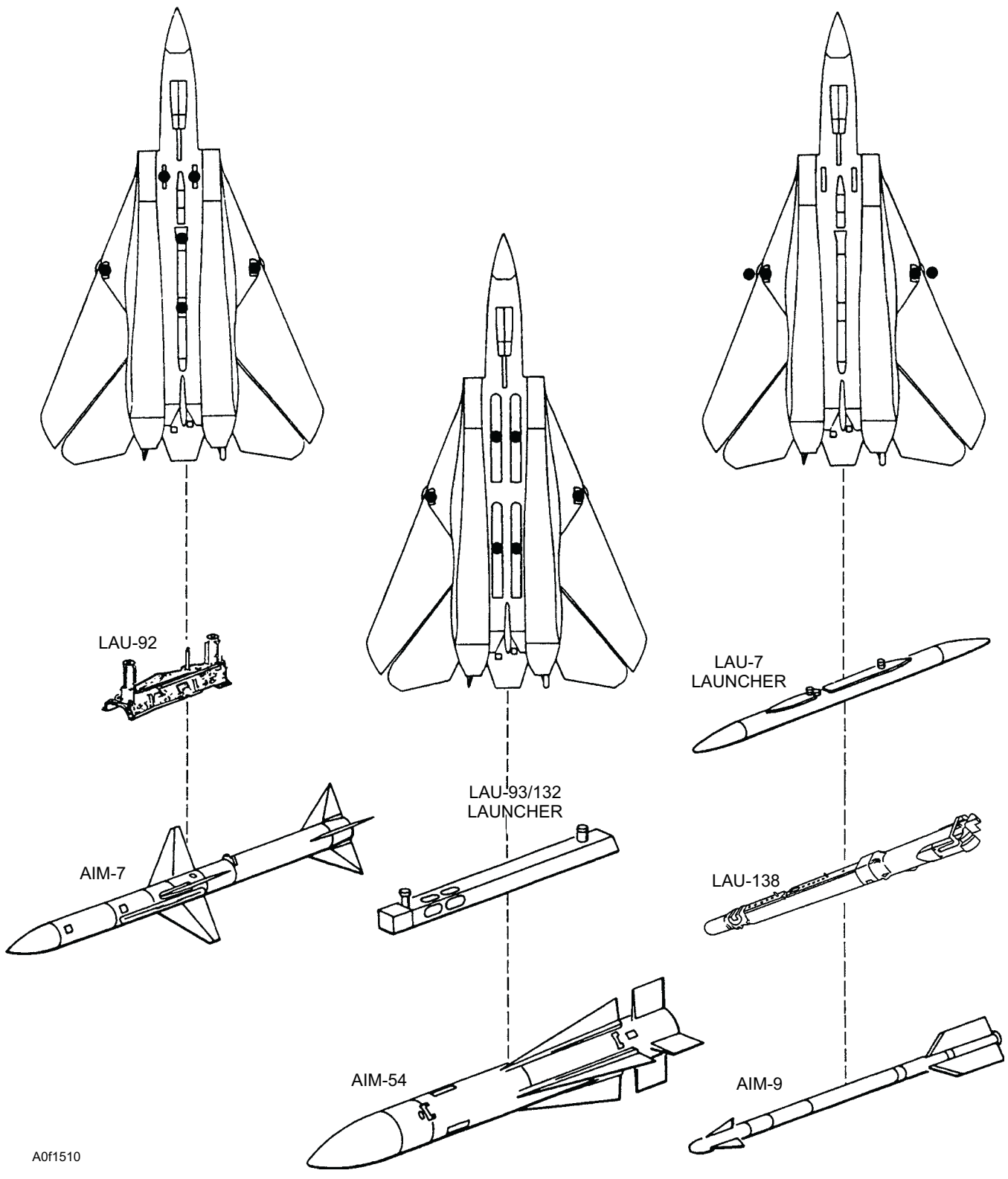
**Figure 15-9.—BRU-32/BRU-42 (ITER) configuration.**

**REVIEW NUMBER 1 ANSWERS**

- A1. The F/A-18 is a dual-mission, fighter-bomber naval aircraft.
- A2. The F-14 aircraft incorporates the AN/ALE-39 chaff dispensing system.

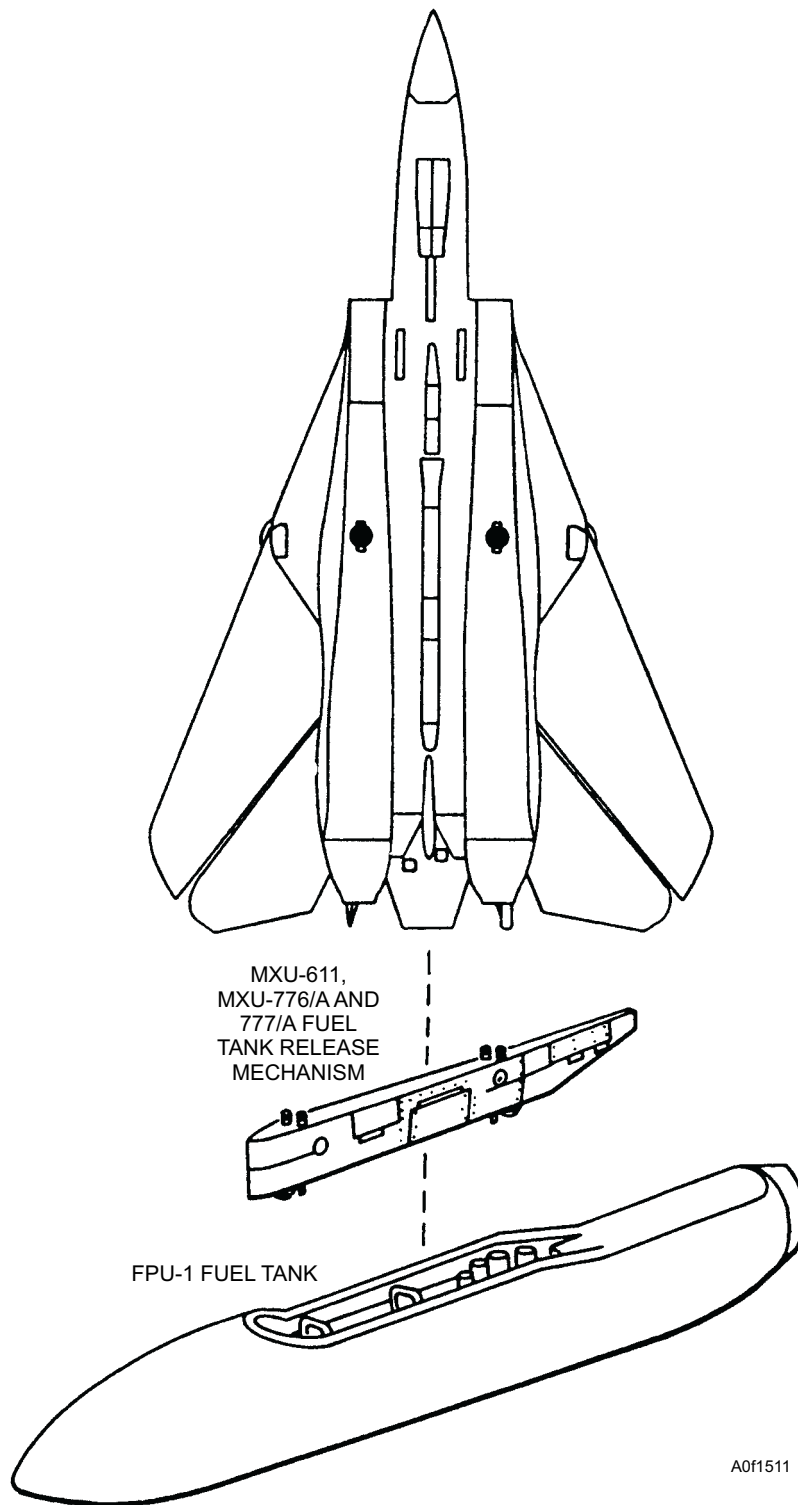
- A3. When the landing gear handle is in the down position on the F-14 aircraft, the armament safety override switch is used to bypass the open loading gear safety circuit.
- A4. The F-14 aircraft can hold a maximum of six AIM-54 missiles.





A0F1510

Figure 15-10.—Air intercept missiles configuration on aircraft.



**Figure 15-11.—Fuel tank configuration on aircraft.**

- |  |  |
|--|--|
| <p>A5. <i>The fuselage stations of the F-14 aircraft used to suspend AIM-7 missiles include stations 3, 4, 5, and 6.</i></p> <p>A6. <i>The F-14 aircraft can hold a maximum of <u>four</u> AIM-9 missiles.</i></p> | <p>A7. <i>The stations of the F-14 aircraft that are used to carry Sidewinder missiles include stations 1A, 1B, 8A, and 8B.</i></p> <p>A8. <i>The HIGH and LOW rates of fire for the M61A1 gun, when it is mounted in the F-14</i></p> |
|--|--|

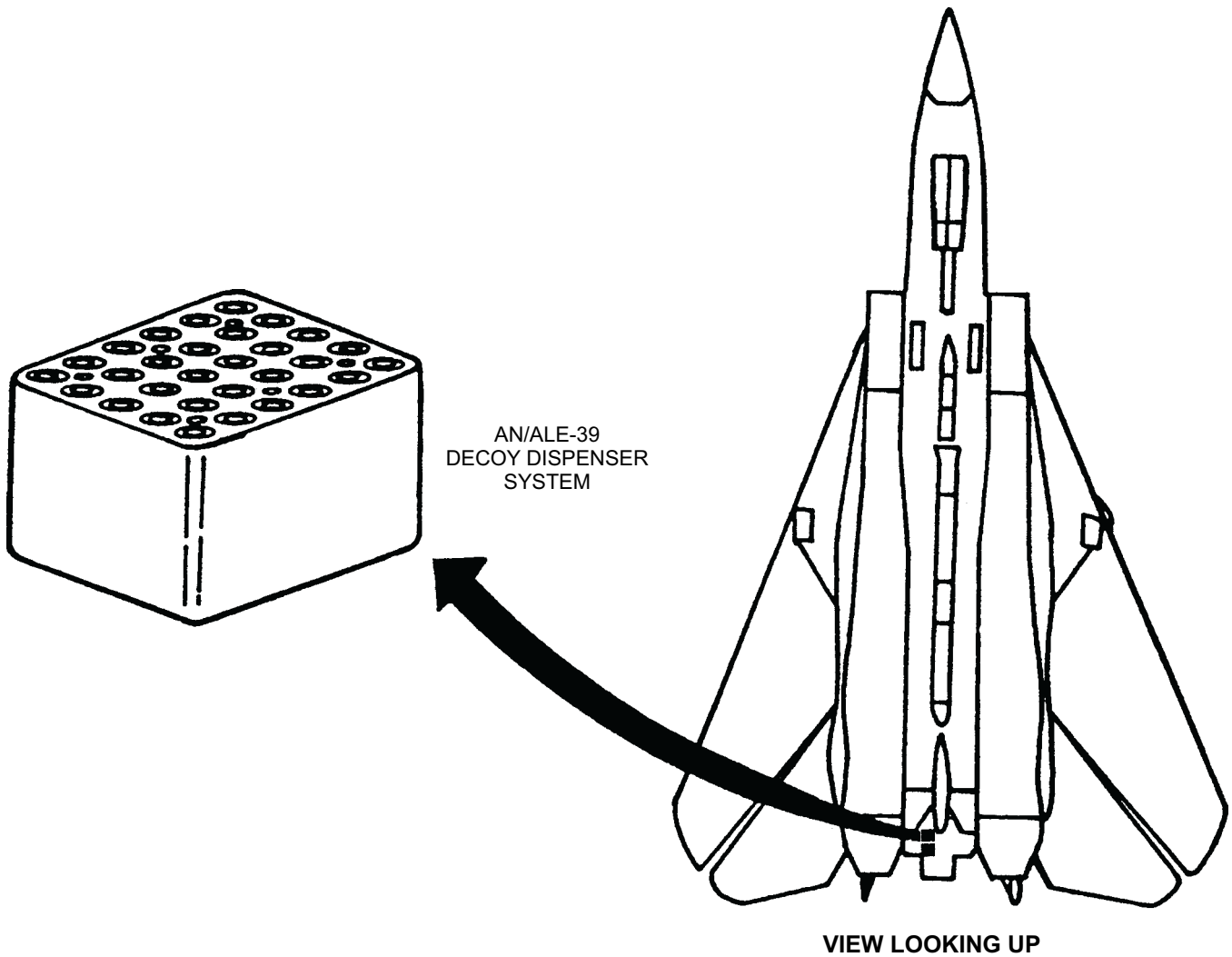


Figure 15-12.—Decoy dispenser configuration on aircraft.

aircraft, are HIGH—6,000 and LOW—4,000 rounds per minute.

- A9. The burst selector switch on the F-14 aircraft limits the number of rounds that are fired per burst.
- A10. The four jettison modes of the F-14 aircraft are as follows: (1) emergency, (2) ACM encounter, (3) selective, and (4) auxiliary.
- A11. The emergency jettison mode is the only one controlled by the pilot.

### Landing Gear Control Handle

In the DN position, the LDG GEAR control (fig. 15-13) disables normal weapon release, launch, and fire signals. In the UP position, 28-volt dc power is applied from the main landing gear weight-off-wheels relay to the master arm circuit breaker.

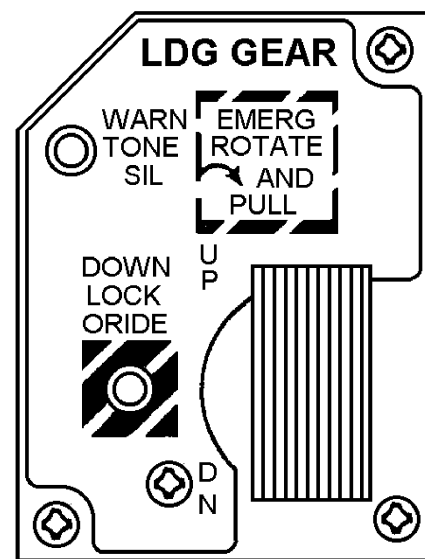


Figure 15-13.—Landing gear control handle.



Figure 15-14.—Armament safety override switch.

### Armament Safety Override Switch

The armament safety override switch (fig. 15-14) is in the maintenance panel located in the nosewheel well. In the override position, it overrides the landing gear handle DN position so ground operational maintenance can be pulled on the weapon systems.

### Master Arm Control Panel Assembly

The master arm control panel assembly (fig. 15-15) is located in the forward cockpit. It contains the A/A, A/G, and MASTER switches. The A/A and the A/G are

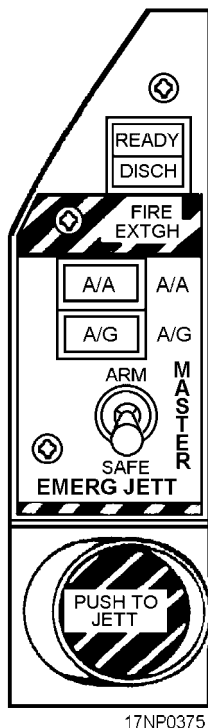


Figure 15-15.—Master arm control panel assembly.

push-button switches that provide a ground to the SMP. They select the air-to-air or air-to-ground computer modes, respectively. The MASTER switch is used with the LDG GEAR handle or the armament safety override switch. In the SAFE position, weapons cannot be released or fired, although emergency jettison can be initiated. The ARM position provides an input to the SMP and power for weapon release, fire, or jettison. The switch position (SAFE/ARM) is displayed on the DDIs in the wing-form display.

### Aircraft Controller Grip Assembly

The aircraft controller grip assembly (fig. 15-16) contains the A/G weapons release switch (bomb release switch). The switch is spring-loaded to the OFF position. When the switch is pressed, it completes a circuit from the armament computer and provides an input back to the armament computer. The aircraft grip controller assembly also contains an A/A switch and the trigger switch, which is discussed later in this chapter.

### Digital Display Indicators

The digital display indicators (DDIs) (fig. 15-17) are located on the rear cockpit instrument panel vertical consoles. The DDIs on aircraft 161354 through 163778 are connected in parallel with the DDIs in the front cockpit and respond to the last action taken by either pilot. Rear DDIs on F/A-18D 163986 and up have independent displays.

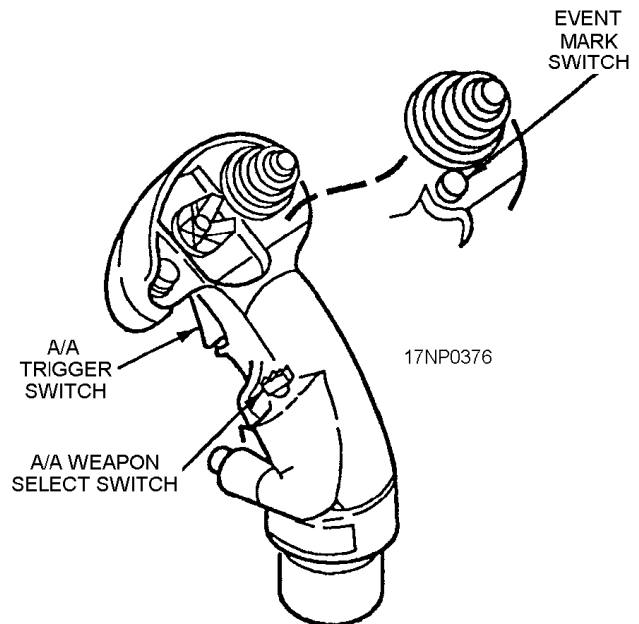
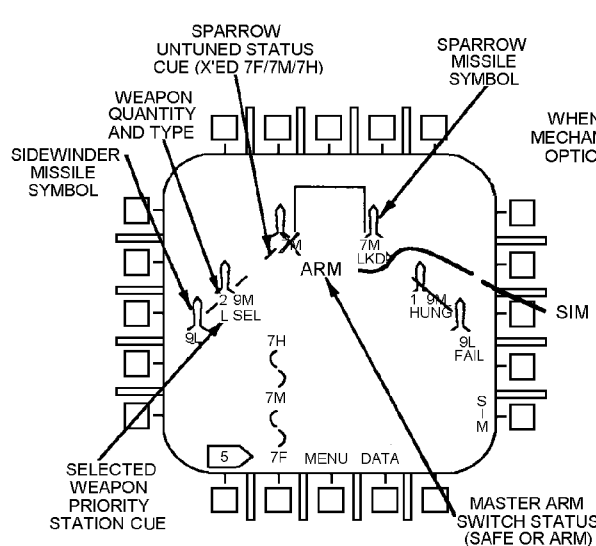
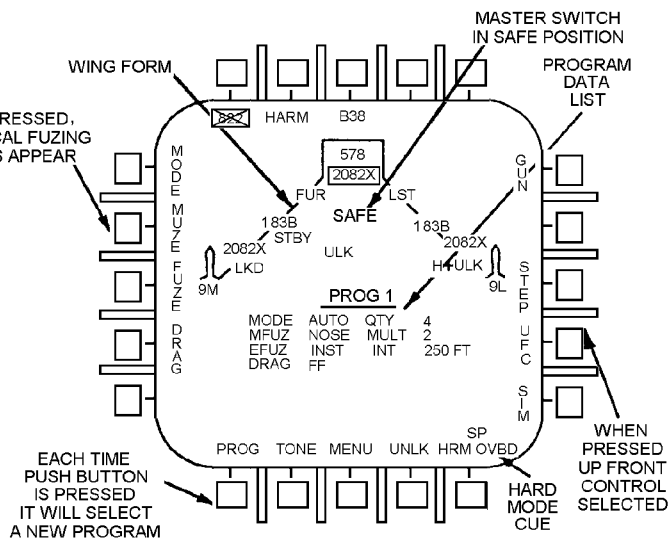


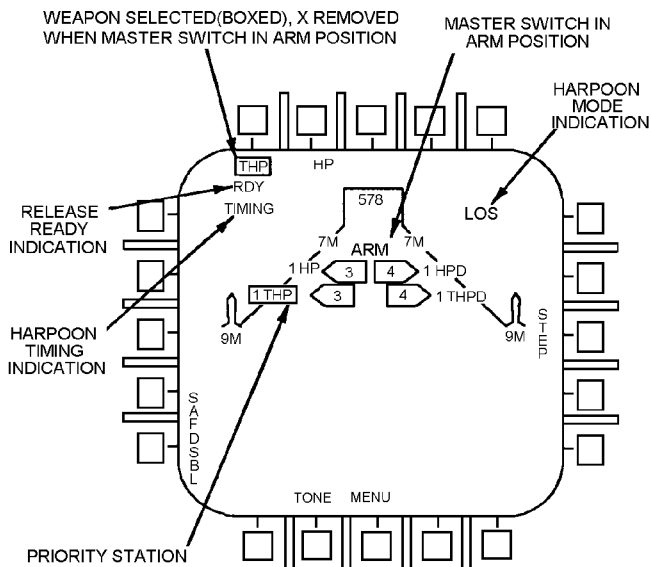
Figure 15-16.—Aircraft controller grip assembly.



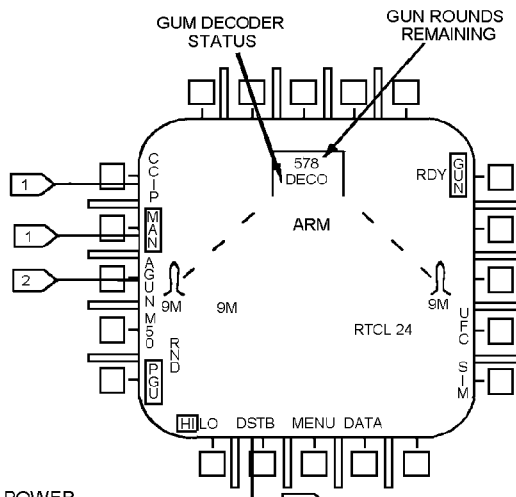
**STORES DISPLAY AIR TO AIR**



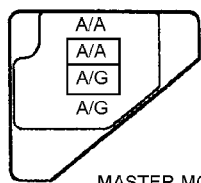
**STORES DISPLAY AIR TO GROUND**



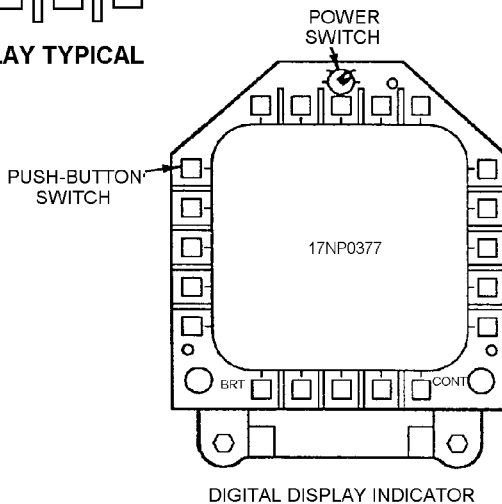
**AGM DISPLAY TYPICAL**



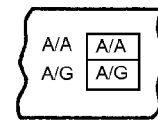
**GUN DISPLAY**



**MASTER MODE SELECT PANEL**



**DIGITAL DISPLAY INDICATOR**



**REAR ADVISORY AND THREAT WARNING INDICATOR PANEL**

**Figure 15-17.—Digital display indicators.**

## Armament Computer

The armament computer (fig. 15-18) is interfaced with and controlled by the mission computers. The armament computer is also interfaced with and controls the weapon station command encoders-decoders. The armament computer has a weapon insertion panel (fig. 15-19) with code wheels. These code wheels are used to enter the code into the weapon-type (ARMAMENT) and nose or tail fuzes (FUZING). The weapon-type code **must** match the weapon loaded, and the nose fuze or tail fuze code **must be** compatible with the weapon or the armament computer won't allow it to release normally. For weapons without nose or tail fuzes, the codes must still match the weapon loaded.

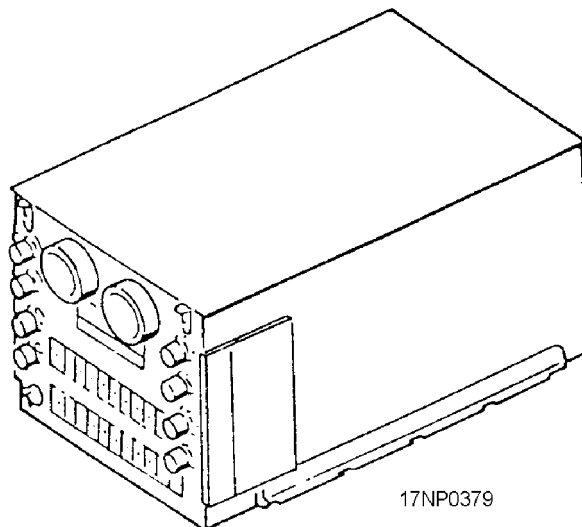


Figure 15-18.—Armament computer.

## Digital Computers

Two digital computers make up the mission computer system and control the avionics systems. They interface with the armament computer and allow the armament computer to route power to the encoders-decoders for weapon release. The MC switch on the MC/HYD ISOL panel controls the digital computers.

## Jettison System

The jettison system gives the pilot or crew a way to jettison weapons, stores, launchers, and fuel tanks. The jettison system has three modes of release—emergency jettison, selective jettison, and auxiliary jettison.

The emergency jettison mode jettisons all weapons from the five pylon stations.

The selective jettison mode individually jettisons the left fuselage missile, the right fuselage missile, racks, launchers, and stores.

The auxiliary jettison mode is a gravity mode to jettison the five pylon stations when emergency and/or selective jettison fails.

## Bomb Release System

The bomb release system provides the aircraft with capabilities for release of conventional weapons. The

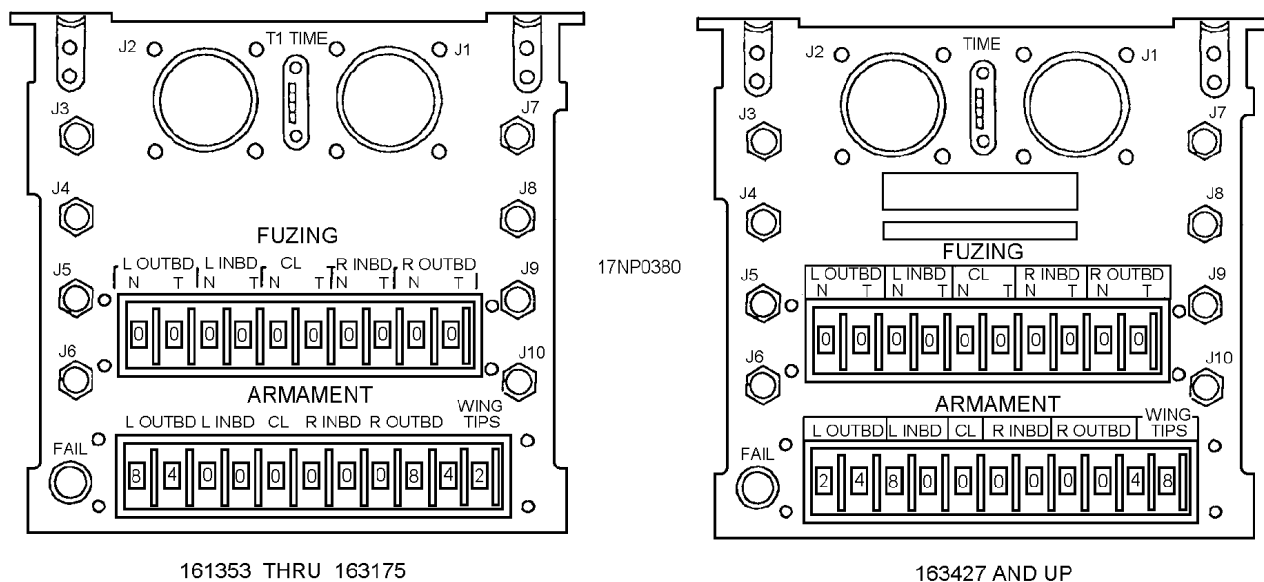


Figure 15-19.—Weapon insertion panel.

system uses the BRU-32, BRU-33, BRU-41, and BRU-42 gas ejector bomb racks for suspension and release of weapons. Normal release is provided in four electrically controlled modes of operation. The system consists of the A/G weapon release switch and weapon control system's basic controls and components.

#### **AN/AWW-4 Fuze Function Control System**

The AN/AWW-4 fuze function control system gives the aircraft the capability of using electric fuzes. The system uses the Mk 39 bomb arming unit in the BRU-32/A and BRU-33/A bomb racks. The Mk 39 bomb-arming unit denies all voltage to the weapon until it has actually separated from the bomb rack. Voltage is supplied by the PP-6419 power supply to the bomb-arming unit through the aircraft wiring. There are four voltages selected on the DDIs. When release is initiated, voltage is supplied through an inter-connecting cable to the weapon during the first few inches of fall of the weapon. No voltage is supplied to the bomb rack until the bomb release switch is pressed. The system consists of the PP-6419 power supply and the armament system's basic controls and components.

#### **Rocket Firing System**

The rocket firing system gives the aircraft the capability to fire rockets. The system uses the BRU-32/A and BRU-33/A bomb racks for suspension of the rocket launchers. When the bomb release switch is pressed, voltage is supplied through aircraft wiring to the vertical ejector rack (VER). Wiring within the VER allows the rocket to fire. The system consists of the armament system's basic controls and components.

#### **Walleye Guided Weapon System**

The Walleye guided weapon system gives the aircraft the capability for release and guidance of a Walleye weapon. The system uses the BRU-32/A bomb rack, bomb release system, and the AN/AWW-4 fuze function control system for fuzing. Video is supplied from the weapon through the aircraft wiring to the DDIs. No voltage is supplied to the bomb rack until the bomb release switch is pressed. The system consists of the CAGE/UNCAGE switch and the armament system's basic controls and components. The CAGE/UNCAGE switch is on the throttle. When the switch is pressed, it cages/uncages the weapon selected.

The AN/AWW-9B, AN/AWW-12A, and AN/AWW-13 data link systems are used with the Mk 21 and

Mk 27 Walleye weapons and with the Walleye guided weapon system. The data link systems provide control and guidance to these weapons by using a data pod that is externally mounted to the aircraft. The systems use the BRU-32/A bomb rack. Video is supplied from the weapons and pod to the DDIs through the aircraft wiring. The systems consist of the armament system's basic controls and components.

#### **AGM-65 Maverick System**

The AGM-65 Maverick system gives the aircraft the capability to fire a Maverick missile. The system uses the BRU-32/A bomb rack and the LAU-117/A launcher for suspension and firing of the Maverick missile.

#### **AGM-84 Harpoon/SLAM/SLAM ER**

The AGM-84 Harpoon/SLAM/SLAM ER system gives the aircraft the capability to fire an AGM-84 missile. The system incorporates the BRU-32 bomb rack for suspension.

#### **AGM-88 HARM System**

The AGM-88 HARM system gives an aircraft the capability to fire a HARM missile. The system incorporates the BRU-32/A bomb rack and the LAU-118/A launcher for suspension and firing. Control of the missile is supplied through the armament computer.

#### **AGM-154 (JSOW)**

The AGM-154 (JSOW) system gives the aircraft the capability to fire an AGM-154 (JSOW). The system incorporates the BRU-32 bomb rack for suspension.

#### **AIM-7 Sparrow Fire Control System**

The AIM-7 Sparrow fire control system gives the aircraft the capability to fire an AIM-7 missile. The system incorporates the LAU-116/A launcher for fuselage stations and the BRU-32/A bomb rack with the LAU-115C/A launcher on wing pylon stations for suspension and firing. Control of the missile is supplied through the armament computer and the radar system.

#### **AIM-9 Sidewinder Fire Control System**

The Sidewinder fire control system gives an aircraft the capability for firing an AIM-9 missile. The

system uses the LAU-7 launcher for wing tip stations and the BRU-32/A bomb rack with an LAU-115C/A launcher configured with the LAU-7 launcher on wing pylon stations for suspension and firing. Control of the missile is supplied through the armament computer.

### **AIM-120 (AMRAAM) Fire Control System**

The AIM-120 AMRAAM fire control system incorporates the LAU-116A/A launcher for fuselage stations and the BRU-32 bomb rack with a LAU-115C/A launcher configured with LAU-127A/A launchers on wing pylon station for suspension.

### **M61A1 20-MM Gun System**

The M61A1 20-mm gun system gives an aircraft the capability to fire this gun. The system enables selecting, arming, and firing. Depending on the mission objective, the gun can be operated in the air-to-air (A/A) or air-to-ground (A/G) computer mode. There are two A/G modes—continuously computed impact point (CCIP) and manual (MAN). There are three A/A modes—director, disturbed, and cage. Control of the gun is supplied through the SMP. No voltage is supplied to fire the gun until the trigger switch is pulled and all landing gear is up and locked. The gun fire control system consists of four subsystems—the gun and associated ammunition feed, hydraulics, gun gas purging and ammunition cooling, and gun electronics.

### **AN/ALE-39 Decoy Dispensing System**

The AN/ALE-39 decoy dispensing system gives an aircraft the capability to dispense chaff or flares. The decoy rounds are contained in two dispensers at the fuselage underside area. Control is supplied through the SMP. The system consists of the dispenser/ECM control panel, engine throttle lever grip assembly, left console DISP switch, AN/ALE-39 programmer, two AN/ALE-29A dispensers, MX-7721/ALE-29A dispenser housings, two 1874/ALE-39 sequencer switches, and the armament system's basic controls and components.

### **Aircraft Armament Configuration Capabilities**

The basic armament configuration of the F/A-18 aircraft consists of LAU-116/A missile launchers, LAU-7 missile launchers, SUU-63/A pylons, SUU-62/A pylon, BRU-32/A bomb racks, and an M61A1 20-mm gun.

The F/A-18 basic armament configuration can be reconfigured to accommodate a variety of weapons. Figure 15-20 shows the station configuration capabilities.

If you want more information about authorized aircraft configurations and weapons loading, refer to *A1-F18AA-TAC-000*, volume 1, and *A1-F18AA-TAC-100*, volume 2, *NATOPS Tactical Manual*. A general description of the F/A-18 armament systems and suspension or releasing equipment is contained in the *Airborne Weapons/Stores Loading Manual*, A1-F18AAA-LWS-000.

### **REVIEW NUMBER 2**

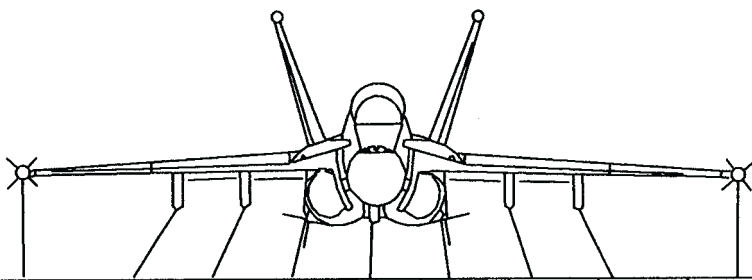
- Q1. In the F/A-18 aircraft, the armament safety override switch is located on the \_\_\_\_\_.*
- Q2. List the jettison modes of the F/A-18 aircraft.*
- Q3. If the emergency jettison is selected on the F/A-18 aircraft, what weapons are released?*
- Q4. Under what condition would the auxiliary jettison mode be used in the F/A-18 aircraft?*
- Q5. What fuze function control system gives the F/A-18 aircraft the capability of using electric fuzes?*
- Q6. To suspend and fire the Maverick missile from the F/A-18 aircraft, you should use what bomb rack and launcher combination?*
- Q7. What missile launcher should you use to suspend the AGM-88 HARM missile on the F/A-18 aircraft?*
- Q8. What missile launcher is used on the wing pylon stations of the F/A-18 aircraft to suspend and launch an AIM-7 Sparrow missile?*

### **ANTISUBMARINE WARFARE WEAPONS SYSTEMS**

**LEARNING OBJECTIVE:** *Identify anti-submarine warfare weapons systems to include the basic system, the kill store system, the release and control system, the release and control systems checks, and weapons system maintenance.*

Antisubmarine warfare (ASW) is becoming a broad field. New developments are being made in submarine detection as well as in the tactical deployment of the equipment. The search stores





EQUIPMENT	9	8	7	6	5	4	3	2	1
SUU-62 PYLON					X				
LAU-116 SERIES LAUNCHER				X		X			
MER/BRU-41/BRU-42		X	X				X	X	
BRU-33 (VER)		X	X		X		X	X	
BRU-32 BOMB RACK		X	X		X		X	X	
SUU-63 PYLON		X	X				X	X	
LAU-117 LAUNCHER		X	X				X	X	
LAU-118 LAUNCHER		X	X				X	X	
LAU-115 SERIES LAUNCHER		X	X				X	X	
LAU-115 SERIES LAUNCHER WITH TWO LAU-7 OR LAU-127 LAUNCHERS		X						X	
LAU-115C/A WITH TWO LAU-127 LAUNCHERS		X	X				X	X	
LAU-7 LAUNCHER	X								X

A0f1520

Figure 15-20.—F/A-18 aircraft station configuration capabilities.

(primarily sonobuoys), launched at precise intervals and locations and with the airborne electronics equipment, give accurate information in the detection of submarines. The kill stores consist of torpedoes,

mines, bombs, rockets, and guided missiles. The basic ASW search and kill store system and its associated equipment are currently used in the P-3 and S-3 fixed-wing aircraft and the SH-60 rotary-wing aircraft.

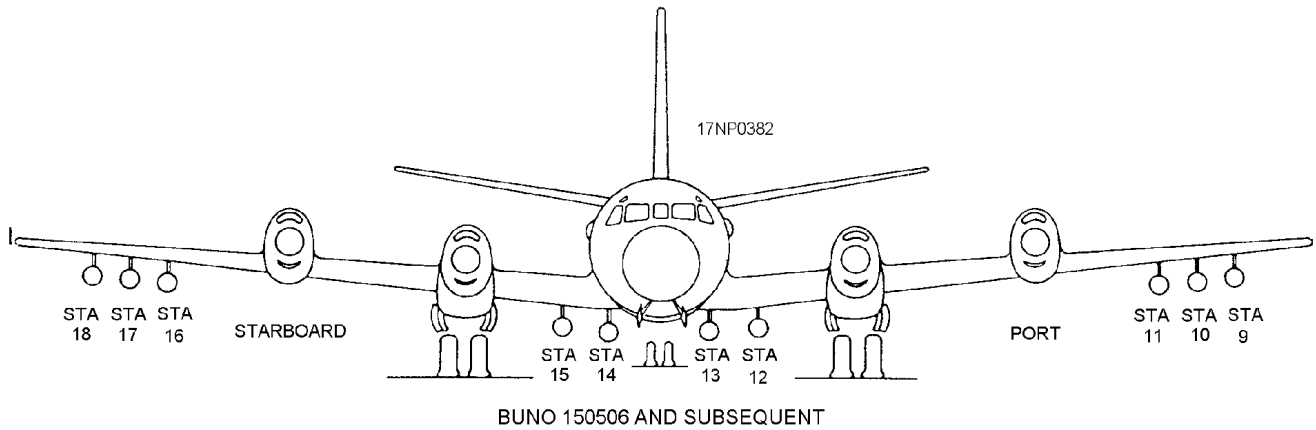


Figure 15-21.—P-3 ordnance stations.

### P-3 AIRCRAFT

The basic P-3 (fig. 15-21) ASW weapons system consists of the equipment and accessories necessary for carrying and releasing kill stores and search stores. The system's equipment and accessories are discussed in the following text.

#### Pilots Armament Control Panel

The armament control panel provides the pilot with control of all kill and search stores.

#### Pilots Search Stores Control Panel

The pilots search stores control panel provides the pilot with operational control of the search stores system and provides a visual indication of the stores that are loaded and are available for release.

#### TORP Presetter Panel

This panel provides the controls and indicators for manual or automatic preset of Mk 46 or Mk 50 torpedoes.

#### Weapon Release Switches

The pilot and copilot have two switches for release of weapons other than missiles. Release of kill stores by the tactical coordinator is limited to bombs and torpedoes.

#### Harpoon Aircraft Command Launch Control (Missile Control Panel)

The missile control panel provides power application, controls, and displays for the Harpoon

missile. The controls and displays are used for manually defining missile selection or deselecting, warhead fusing, target range and relative bearing, attack and seeker modes, and aircraft true airspeed and altitude inputs.

#### Data Processor Computer (DPC)

The data processor is a digital computer that provides the digital communications link between the Harpoon Aircraft Command Launch Control System (HACLCS) and the Harpoon missile.

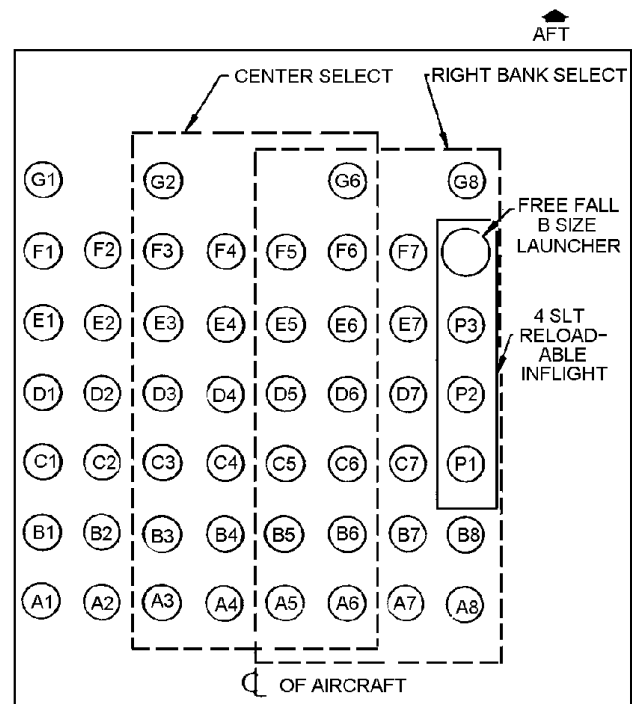


Figure 15-22.—P-3 sonobuoy launch tube arrangement.

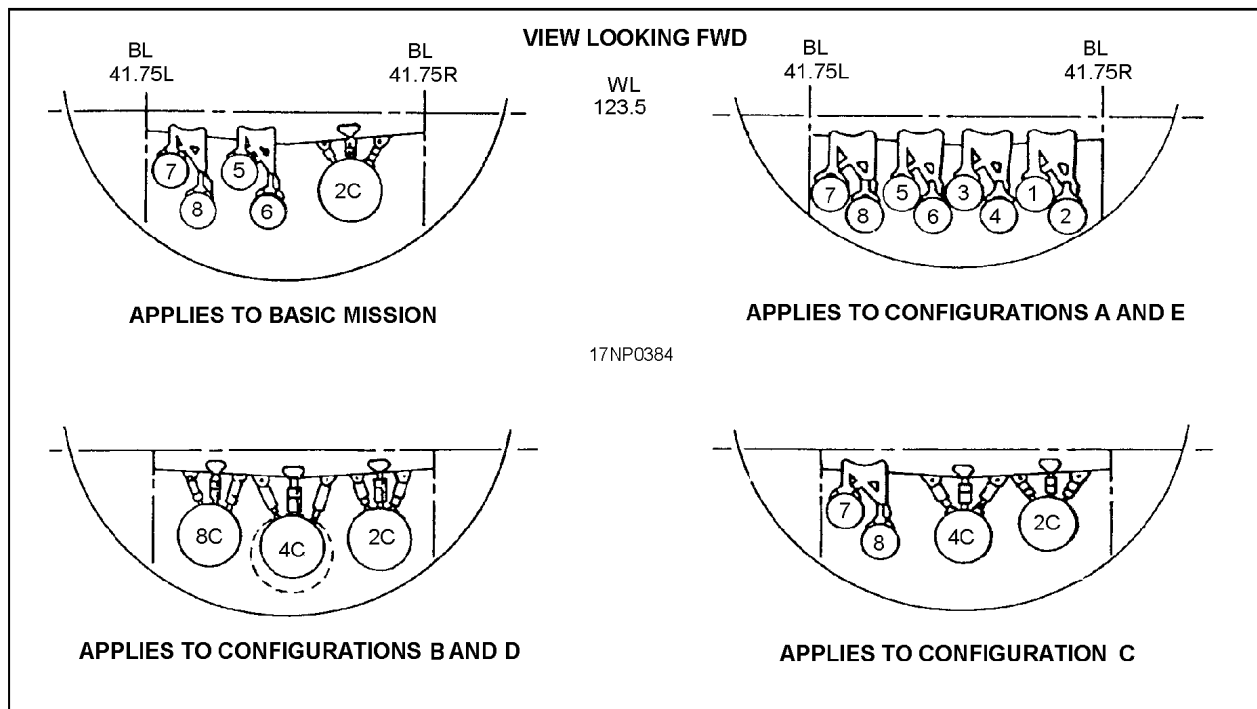


Figure 15-23.—Bomb bay weapons stations.

## Armament Subsystems

The following text provides general information on the aircraft armament subsystems and components.

**WEAPON SYSTEM.**—The weapon system consists of the equipment and accessories necessary for loading, carrying, and releasing of kill and search stores. There are two subsystems, the armament (kill store) subsystem and the ordnance (search store) subsystem. The armament system refers to carriage and delivery of weapons or stores from the wing and bomb bay stations. The ordnance system refers to equipment used for carriage and delivery of search stores. A maximum of 8 bomb bay stations and 10 wing stations are available for carriage of weapons. There are 48 unpressurized sonobuoy launch tubes (SLT), 3 pressurized SLT, and 1 free-fall chute used with the search store system (fig. 15-22).

**BOMB BAY SYSTEM.**—The bomb bay has a maximum of eight stations available at one time. The eight basic stations are arranged in two layers; odd numbered stations in the upper layer and even numbered stations in the lower layer. This configuration limits the release of weapons from the

upper layer until the interfering weapon on the lower level has been released. Bomb racks are attached to removable pylons with two types of pylons (primary pylon and 1,000- to 2,000-pound class store pylon). Bomb rack installations are assigned a number or a number followed by a letter (fig. 15-23).

**BOMB BAY CONFIGURATION.**—There are four primary pylon assemblies (fig. 15-24) provided for carrying a maximum of eight bomb bay stores. The pylon consists of two BRU-12/A bomb racks (fig. 15-25) mounted between two pylon ends. There are three 1,000- or 2,000-pound class store pylon assemblies (fig. 15-26) provided for carrying a maximum of three 1,000- or one 2,000-pound class weapon. The pylon assembly consists of a BRU-14/A bomb rack with mounting adapters on station 4C. The Aero 1A adapters provide the BRU-14/A bomb rack with 30-inch suspension and load capabilities. Figures 15-27 through 15-32 show the various wing stations and bomb bay equipment configurations.

For more information on the P-3 aircraft, refer to *Airborne Weapons/Stores Loading Manual*, NAVAIR 01-75PA-75.

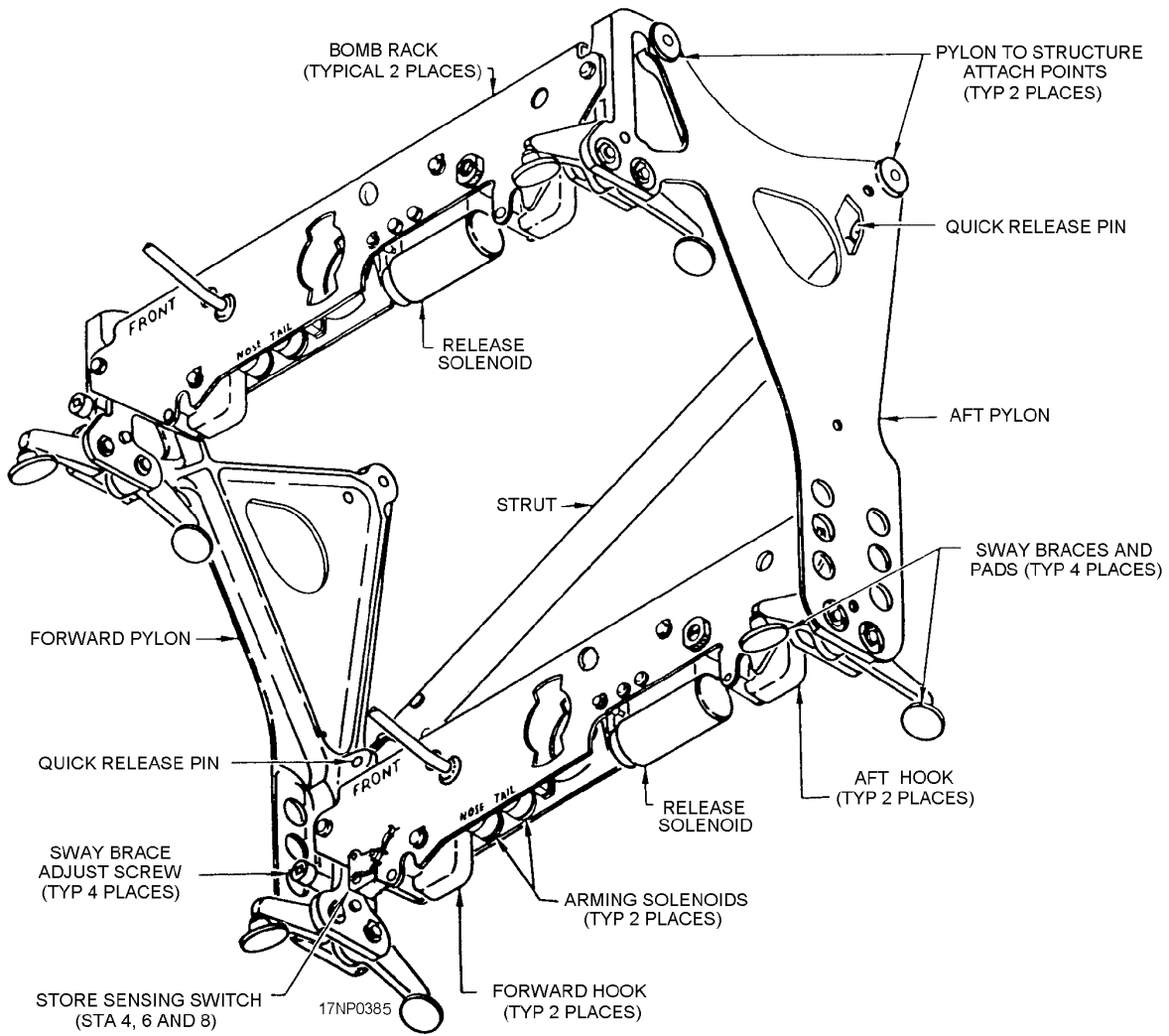


Figure 15-24.—Primary pylon assembly.

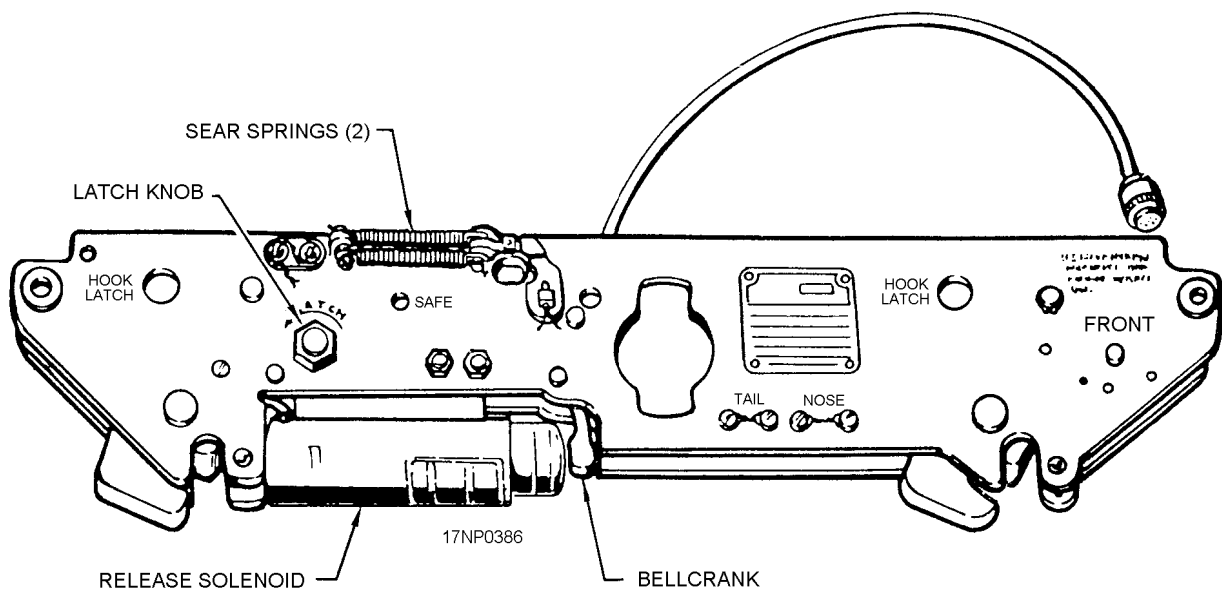


Figure 15-25.—BRU-12/A bomb rack.

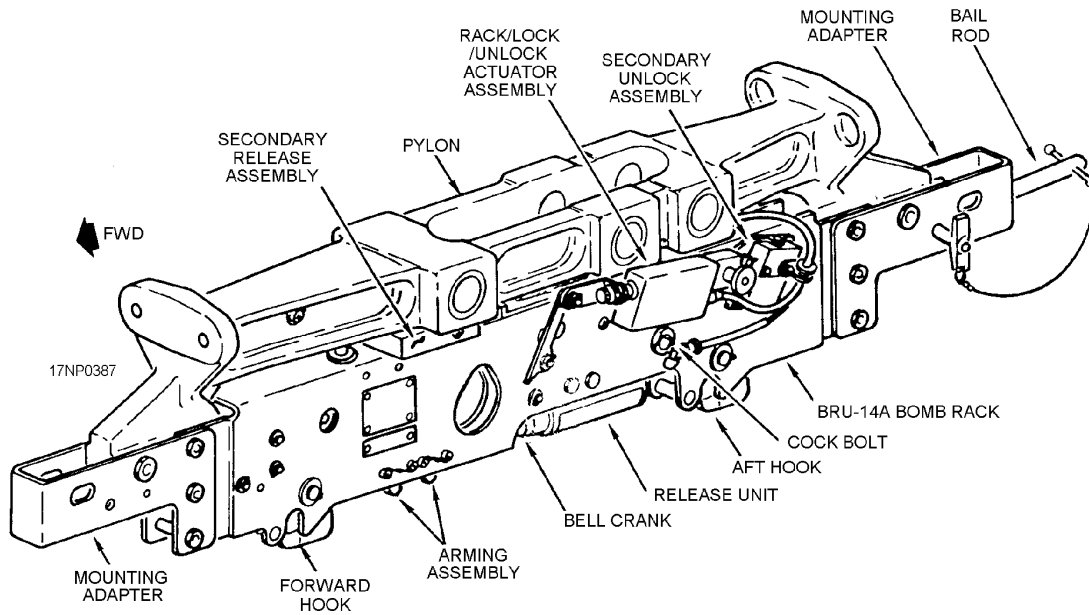


Figure 15-26.—P-3 1,000- or 2,000-pound class store pylon assembly with BRU-14/A bomb rack.

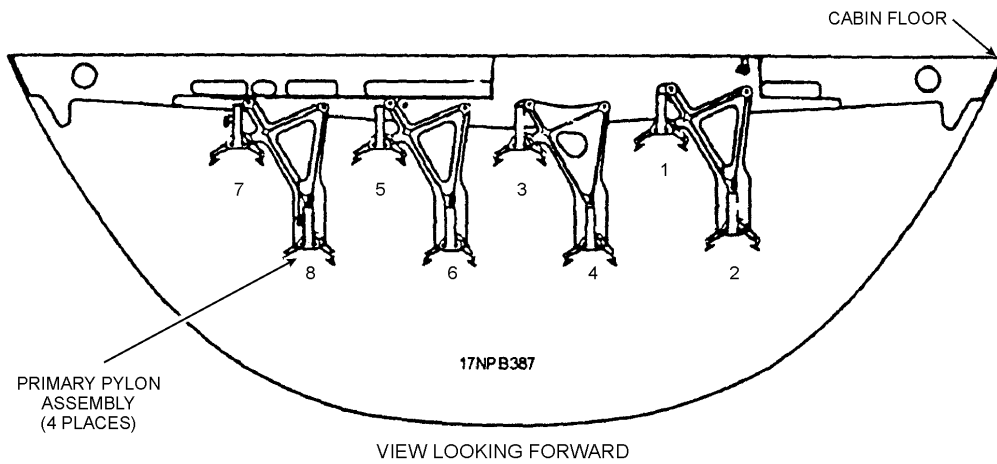


Figure 15-27—Bomb bay configuration with four primary pylons.

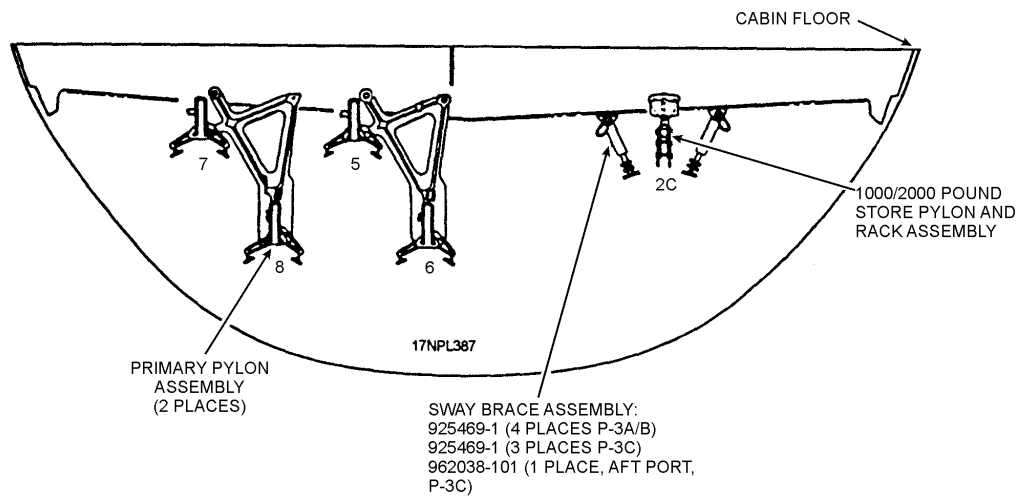


Figure 15-28.—Bomb bay configuration with two primary pylons and one 1,000- or 2,000-pound store pylon.

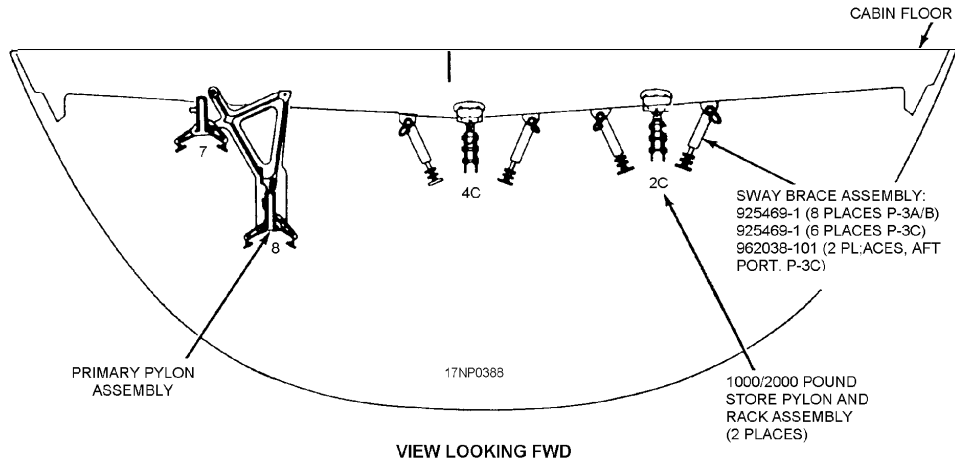


Figure 15-29.—Bomb bay configuration with one primary pylon and two 1,000- or 2,000-pound store pylons.

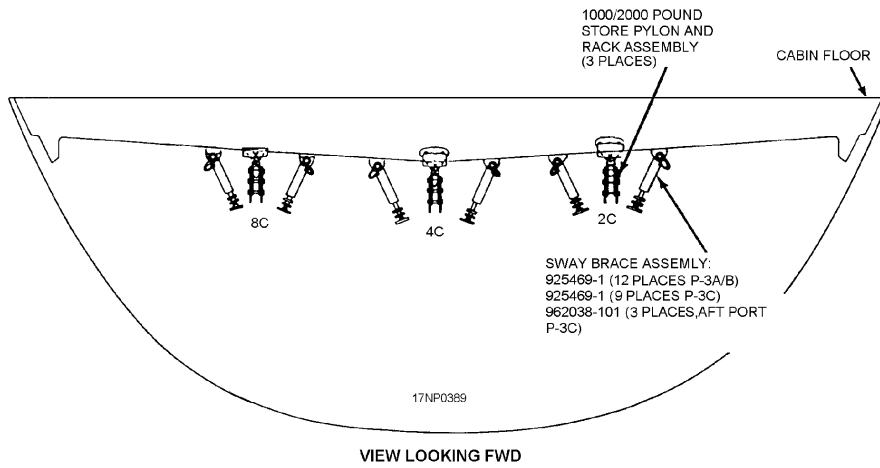


Figure 15-30.—Bomb bay configuration with three 1,000- or 2,000-pound store pylons.

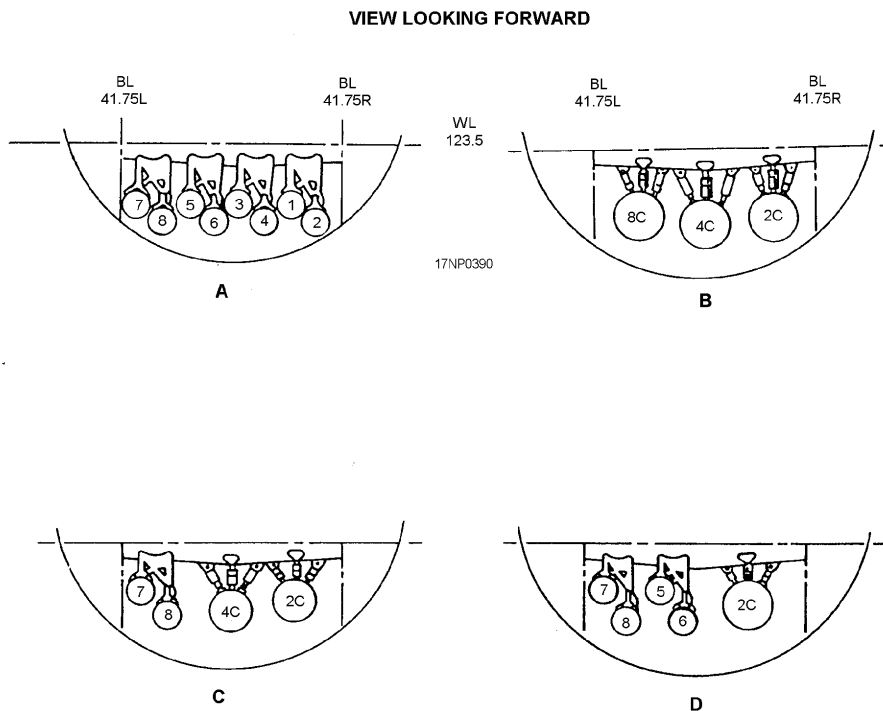
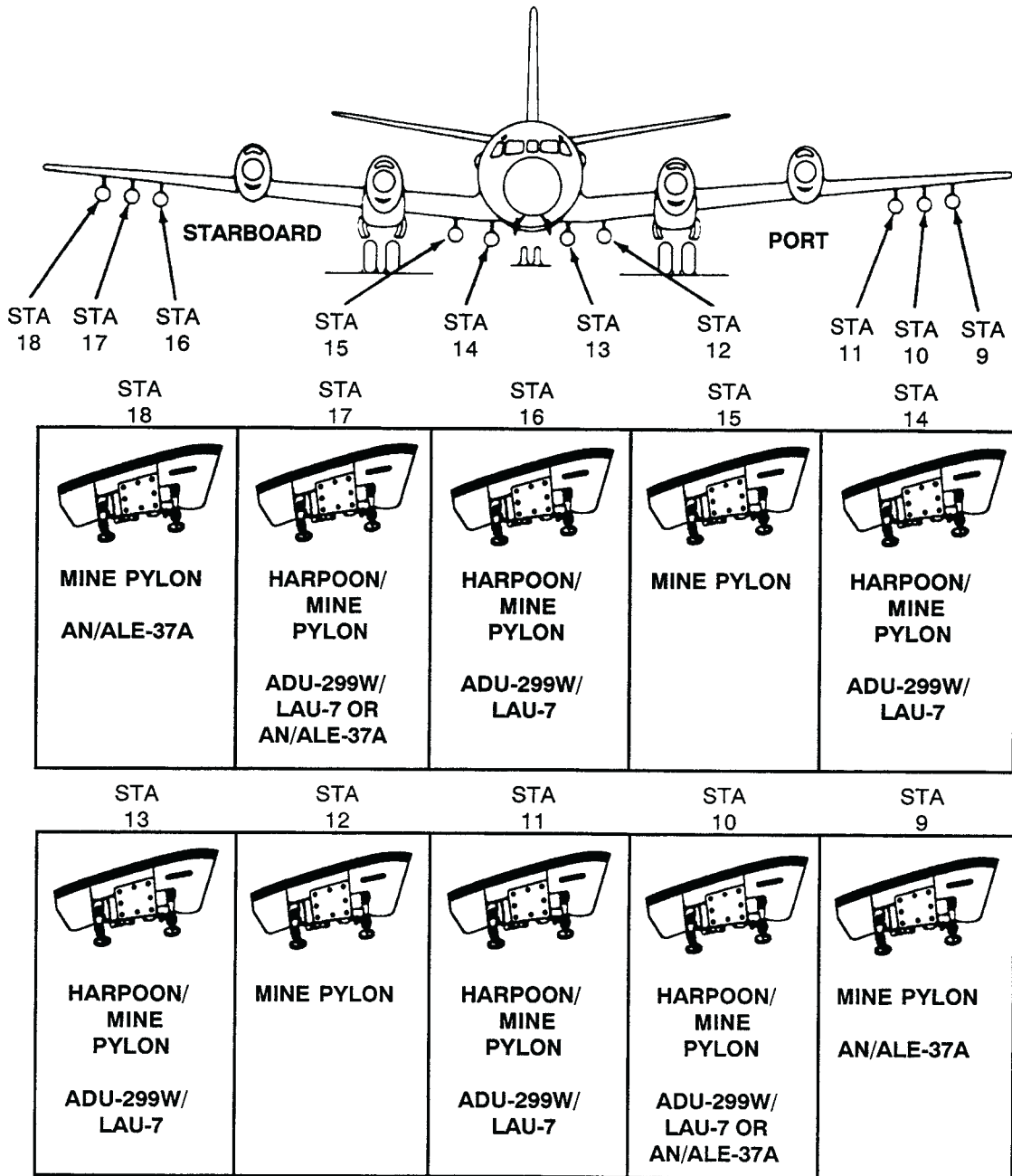


Figure 15-31.—Various bomb bay configurations.



A011532

Figure 15-32.—Wing station configurations.

## S-3 AIRCRAFT

The S-3 (fig. 15-33) weapon control system has the units, panels, switches, logic circuits, interfaces, computer, and controls necessary for selecting, arming, and releasing the kill or search stores. Status lights indicate store selection errors and stores go or no-go status. Electrical jettison release systems are used to release or eject all the wing stores and all search stores of the S-3 aircraft.

### REVIEW NUMBER 2 ANSWERS

- A1. *In the F/A-18 aircraft, the armament safety override switch is located on the maintenance panel in the nosewheel well.*
- A2. *The jettison modes of the F/A-18 aircraft include (1) emergency, (2) selective, and (3) auxiliary.*
- A3. *If the emergency jettison is selected on the F/A-18 aircraft, all weapons from the five pylon stations are released.*
- A4. *The auxiliary jettison mode is used in the F/A-18 aircraft when emergency and/or selective jettison fails. It is a gravity jettison mode.*

- A5. *The AN/AWW-4 fuze function control system gives the F/A-18 aircraft the capability of using electric fuzes.*
- A6. *To suspend and fire the Maverick missile from the F/A-18 aircraft, you should use the BRU-32A and the LAU-117/A combination.*
- A7. *You should use the LAU-118/A to suspend the AGM-88 HARM missile on the F/A-18 aircraft.*
- A8. *The LAU-115C/A missile launcher is used on the wing pylon stations of the F/A-18 aircraft to suspend and launch an AIM-7 Sparrow missile.*

### Armament Control Panel

The armament control panel (ACP) provides the pilot with control for the manual delivery of forward-firing weapons, droppable stores, and the release of the SAR sonobuoy.

### AN/ALE-39 Countermeasures Dispensing System

The system dispenses expendable payloads that consist of chaff, flares, or RF jammers, either individually or in-groups. Three dispensers are

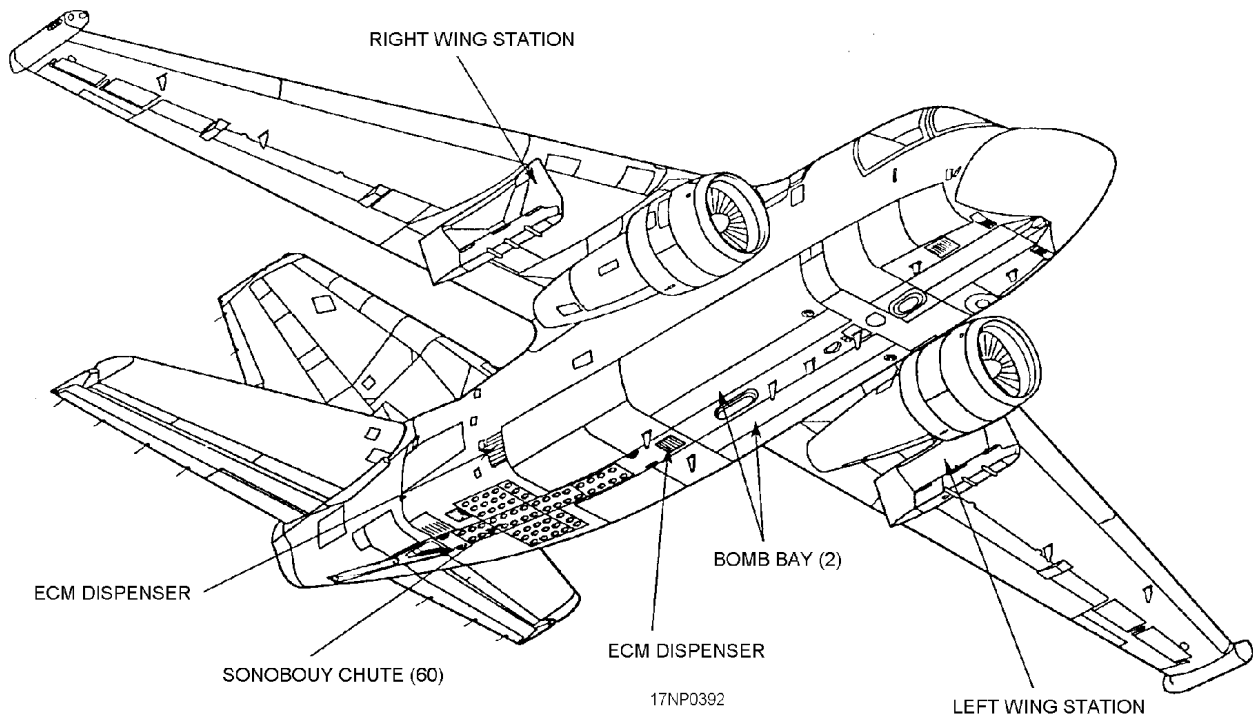


Figure 15-33.—S-3 aircraft configuration.



installed in the aircraft, one on each side of the fuselage and one on the centerline on the fuselage bottom.

### Search Store System

The search store system has the necessary equipment and accessories to carry and release sonobuoys. Also, the sono system can carry and release several other search-related stores.

Part of the search store system consists of unpressurized size A sonobuoy launch tubes (SLTs). These are installed in the underside of the aircraft fuselage. There are 60 SLTs. The SLTs are not accessible from the pressurized aircraft cabin (flight station); therefore, the designation "unpressurized." The SLTs may be reloaded only from the outside of the aircraft. Look at figure 15-34. It shows the arrangement of the SLTs as you look up at the lower fuselage.

### Bomb Bay System

The bomb bay system consists of the units and components needed to carry, arm, and release stores. The bomb racks are attached to brackets mounted to the aircraft in a cruciform pattern. Each of these basic installations is assigned a station number. Numbers followed by a letter (such as A or B) designate these stations for special capacities or types of stores. These stations are arranged in pairs, such as stations 1 and 2, 3 and 4, etc.

For ground maintenance without power on the S-3, you need to use a 3/8-inch drive crank to open or close the doors. Both aircraft have a ground safety pin to disable the door mechanism in the open position. **The door safety pin must be inserted when you are working in the bomb bays.**

The release of bomb bay stores is normally accomplished by the computer, as programmed by the TACO and controlled by the TACO with copilot backup. The pilots have final control because they must activate the master arm switch.

### S-3 Configurations

The S-3 bomb bay suspension has two BRU-14/A bomb racks. The racks are suspended from the bomb bay overhead support braces. Arranging the racks in various locations on the support braces makes different configurations. Figure 15-35 shows the configurations available for each bomb bay.

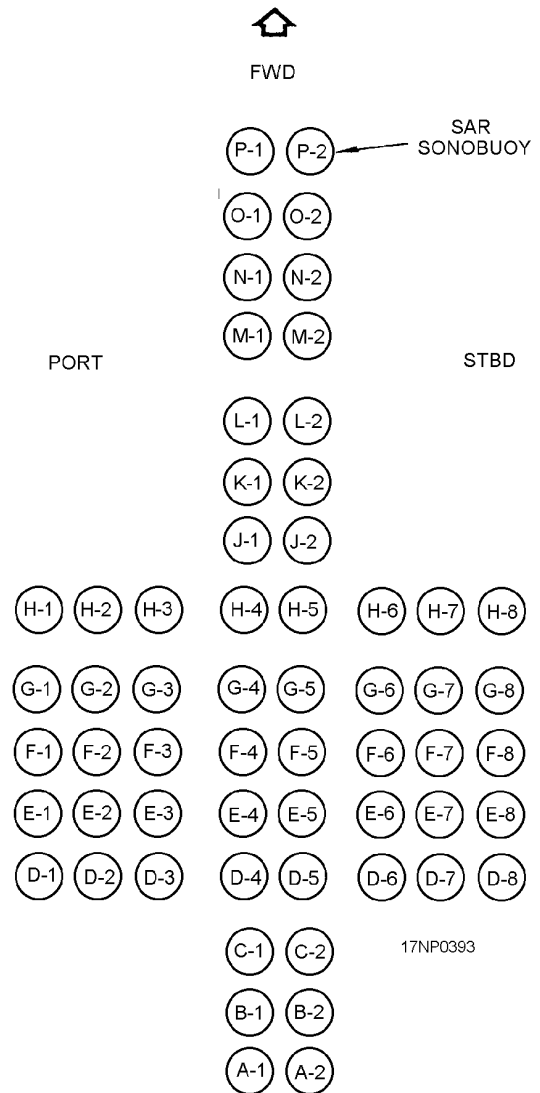


Figure 15-34.—S-3 sonobuoy launch tube arrangement.

The basic configuration of the S-3 consists of dual stations—stations 1 and 2 and stations 3 and 4 across the bays. The station A configuration consists of dual tandem stations in each bay—1A and 2A, 3A and 4A. These two configurations are used, as necessary, to provide store clearance, depending on the shape and size of the store. The single store configuration consists of one station per bay—1B and 4B. This configuration is used for special purposes, such as special weapons.

The BRU-14/A rack is held in position by two mounting bolts through the forward mount. Mounting pins secured to the aircraft braces restrain the rear of the rack assembly. Electrical receptacles at each mounting position provide connection for the rack to the aircraft circuits.

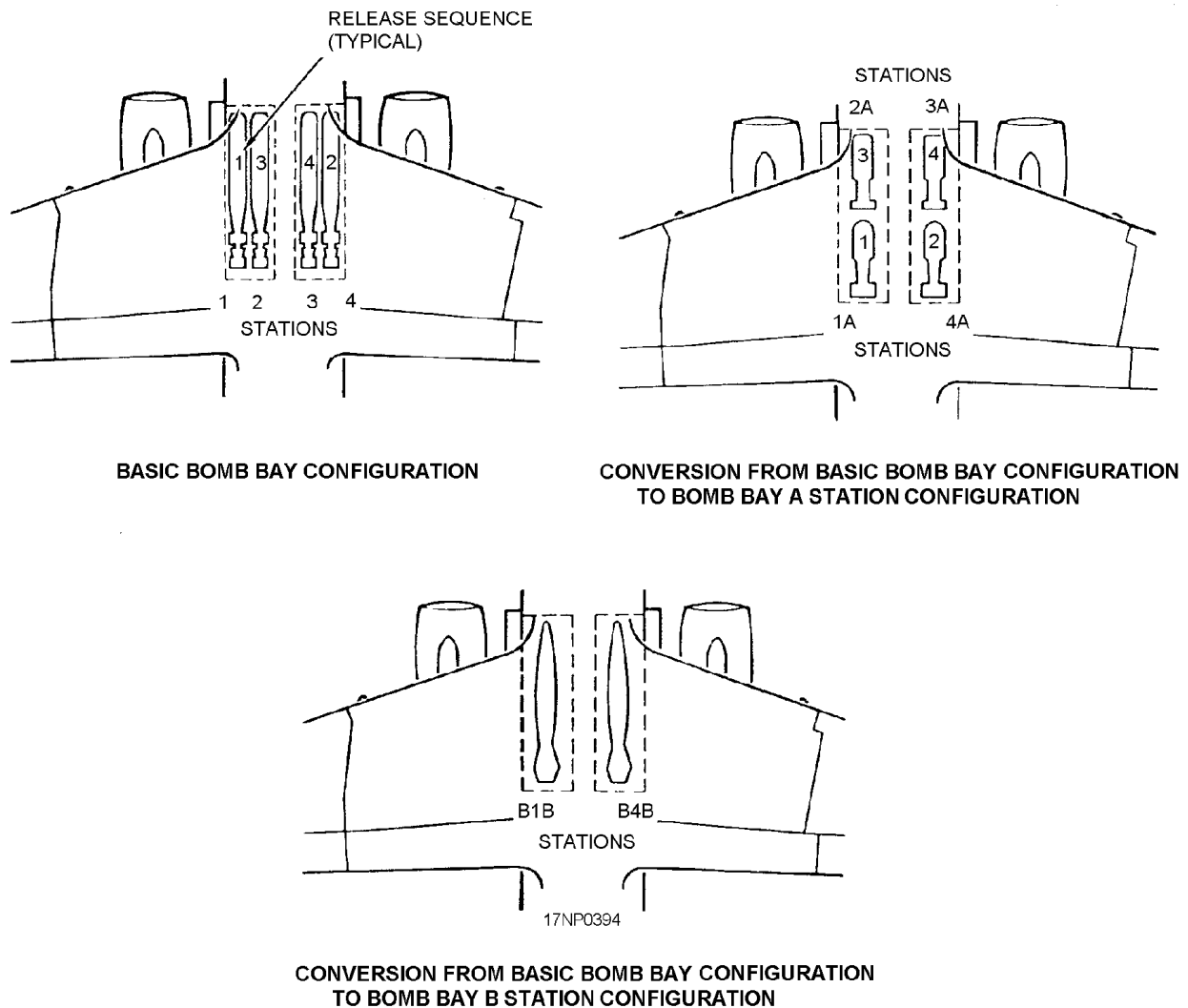


Figure 15-35.—S-3 bomb bay configurations.

Foldable scrub rails, or guides, secured to the bomb bay centerline bulkhead, are used with some stores to prevent damage to the aircraft structure as the store falls away.

The distribution box provides the necessary interface between the decoder and the bomb racks in both auto (computer) and manual modes. The decoder contains the necessary electronics for receiving commands from the armament control panel for arming and releasing bomb bay stations and transmitting station status information.

### Wing Store System

The wing store system consists of the units and components necessary for carrying, arming, and

releasing external stores. The stores are suspended from two wing stations (fig. 15-36)—W5 (left) and W6 (right).

### S-3 Pylon and Rack Assembly

The S-3 pylon and rack assembly consists of a pylon supporting a BRU-11A/A ejector rack. The rack is a self-contained unit that performs all the functions of carrying, arming, and releasing the stores. The aircraft armament circuits control it. The pylon provides structural attachment between the aircraft wing and the rack. It also contains the necessary wiring and components to connect the rack to release and status indicating circuits.

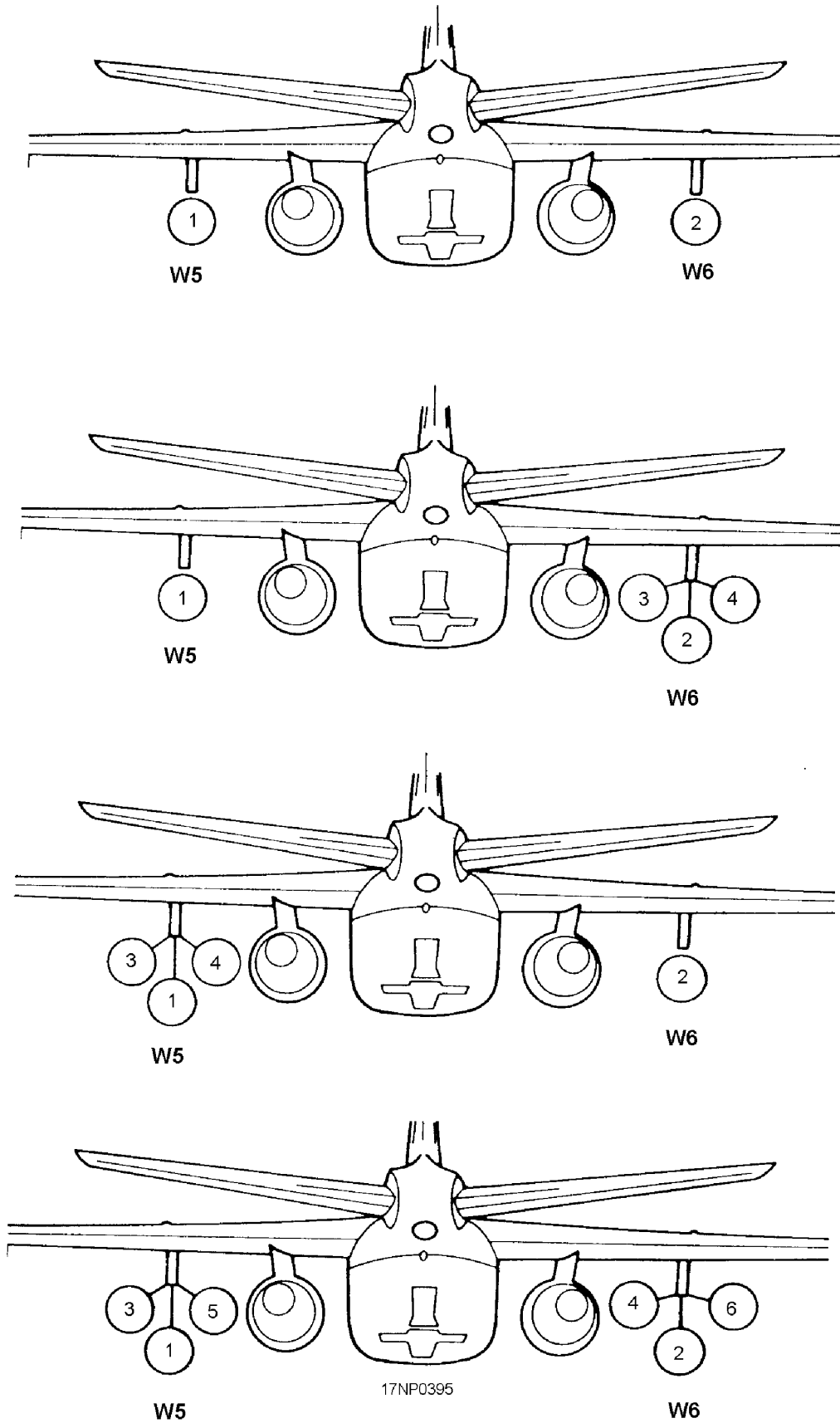


Figure 15-36.—Wing station configuration.

## SH-60B/F Helicopter

The search store system of SH-60 helicopters is less complex than that of the P-3 and S-3 aircraft's, but it serves the same purpose. The SH-60 has all weather capabilities. The SH-60B is designed to operate off frigates, destroyers, and cruisers. Its primary missions are detection, classification, localization, and interdiction of surface ships and submarines. Its secondary missions include communications relay, vertical replenishment, search and rescue (SAR), medavac, and fleet support. The SH-60F is designed to replace the SH-3, and it operates off aircraft carriers. The primary mission is close-in ASW protection for the carrier battle group, and secondary missions include SAR and plane guard. Both the SH-60B and SH-60F are equipped with 25 sonobuoy launch tubes, BRU-14/A bomb racks (2 on the SH-60B and 3 on the SH-60F) for carriage of torpedoes. The SH-60F also has air-to-surface missile capabilities. The various models of the SH-60 helicopter (B, F) have different configurations and capabilities.

### REVIEW NUMBER 3

- Q1. List the three basic aircraft used by the Navy for ASW operations.
- Q2. The P-3 aircraft has \_\_\_\_\_ bomb bay stations.
- Q3. What is the total number of unpressurized sonobuoy launch chutes in a P-3 aircraft?
- Q4. Three pressurize SLTs are used in P-3 aircraft. What size SLTs are used?
- Q5. Describe the numbering system of the P-3 bomb bay stations.
- Q6. You can mount \_\_\_\_\_ BRU-12/A racks on the primary pylon assembly of a P-3 aircraft.
- Q7. What bomb rack or release unit is used with the SH-60 helicopter?

### SAFETY PRECAUTIONS

**LEARNING OBJECTIVE:** Recognize safety precautions to follow when handling aircraft weapons systems.

The safety precautions you should follow when dealing with aircraft, systems, and their maintenance are outlined in various publications. The repetition of safety precautions in the manuals makes sure they are

widely distributed and read. A few of the safety precautions applicable to the aircraft discussed in this chapter are listed below.

- Do not open or close the bomb bay doors when personnel or equipment are in the vicinity of the bomb bay. Also, do not enter the bomb bay until the door safety pin is installed.
- Beware of APU noise. It can cause permanent ear damage to the unprotected ear. Wear ear protection devices when working in the vicinity of an operating APU.
- Provide adequate interphone communications between personnel inside and outside the aircraft to ensure safety between personnel and to compensate for the size of the aircraft.
- Before you apply external power to the aircraft, make sure that personnel are not performing maintenance on electrical or electronic systems.
- Make sure that personnel working with or near high voltage are familiar with modern methods of resuscitation.
- Observe the aircraft external danger areas shown in the particular loading manual.
- Be extremely careful near breakaway suspension bands. They can release with enough force to cause serious injury.

### REVIEW NUMBER 3 ANSWERS

- A1. The three basic aircraft used by the Navy for ASW operations include the P-3 and S-3 aircraft and SH-3 helicopter.
- A2. The P-3 aircraft has eight bomb bay stations.
- A3. There are 48 unpressurized sonobuoy launch chutes in a P-3 aircraft.
- A4. Three pressurized size A SLTs are used in P-3 aircraft.
- A5. P-3 bomb bay stations are numbered as follows: odd-numbered stations in the upper level and even-numbered stations on the lower level.
- A6. You can mount two BRU-12/A racks on the primary pylon assembly of a P-3 aircraft.
- A7. The BRU-14/A bomb rack is used with the SH-60 helicopter.

## CHAPTER 16

# AIRCRAFT WEAPONS SYSTEMS TEST EQUIPMENT

Aviation ordnancemen use test equipment in all phases of electrical testing of weapons systems. The testing procedures you use are required at specific maintenance levels, such as depot, intermediate, or organizational. Test equipment varies in complexity, from a small pocket tester to a very large and complex unit. No matter the size or complexity, the purpose of the test equipment is to make sure that the weapon and the launching platform (aircraft) function correctly.

### TEST EQUIPMENT

**LEARNING OBJECTIVE:** *Identify the test equipment used with aircraft weapons systems. Recognize the purpose and use of each.*

All the test equipment you will use isn't described in this chapter. Also, the step-by-step procedures

required to operate the test equipment aren't listed. To do your job, you need to be able to identify the equipment, know what it is used for, and how it is used. The specific step-by-step procedures that you should follow when you use test equipment can be found in applicable publications.

### MULTIMETERS

The AN/PSM-4 and 77/AN multimeters (figs. 16-1 and 16-2) are used to measure resistance (ohms) and voltage (ac or dc) in an electrical circuit. You use them to test aircraft circuits when no special test equipment is available, or when reasonably accurate measurements are required.

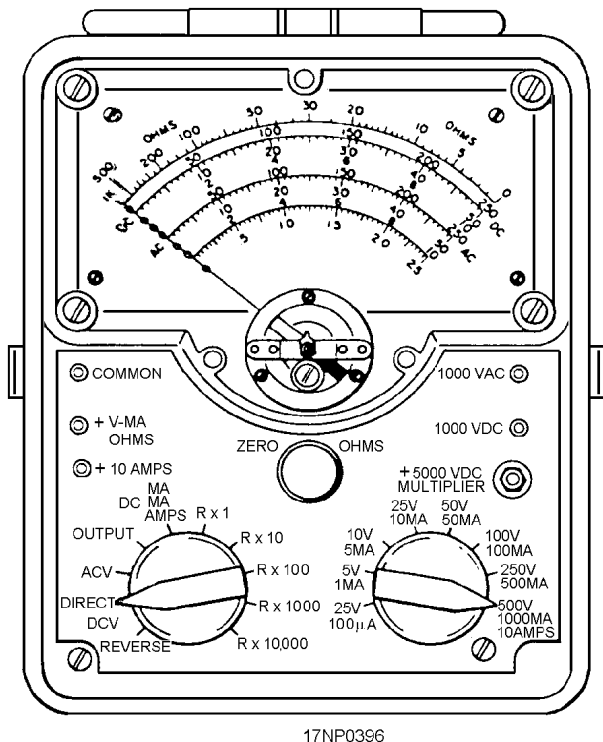


Figure 16-1.—AN/PSM-4 multimeter.

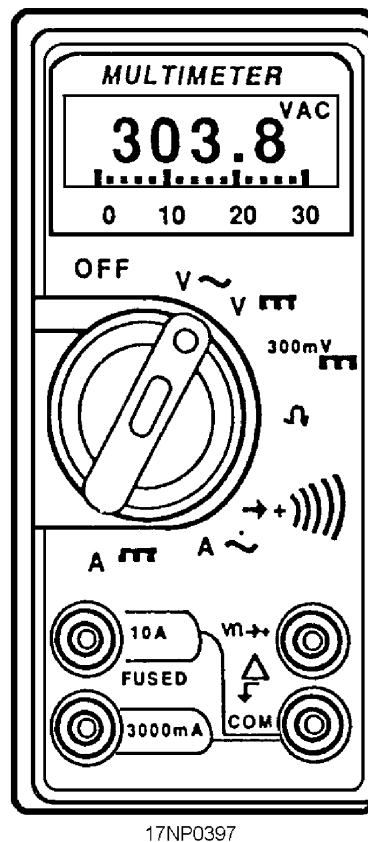


Figure 16-2.—77/AN multimeter.

## AN/AWM-54 AIRCRAFT FIRING CIRCUIT TEST SET

The AN/AWM-54 aircraft firing circuit test set (fig. 16-3) is a portable, battery-operated, flight line test set used at duty stations ashore or afloat. You use this test set to check for stray voltages and various aircraft firing circuits, such as rocket firing, bomb release, and missile firing.

The complete AN/AWM-54 test set includes the following components:

- AWM-54 test set
- Transit case
- Spare battery pack
- Spare extension cable

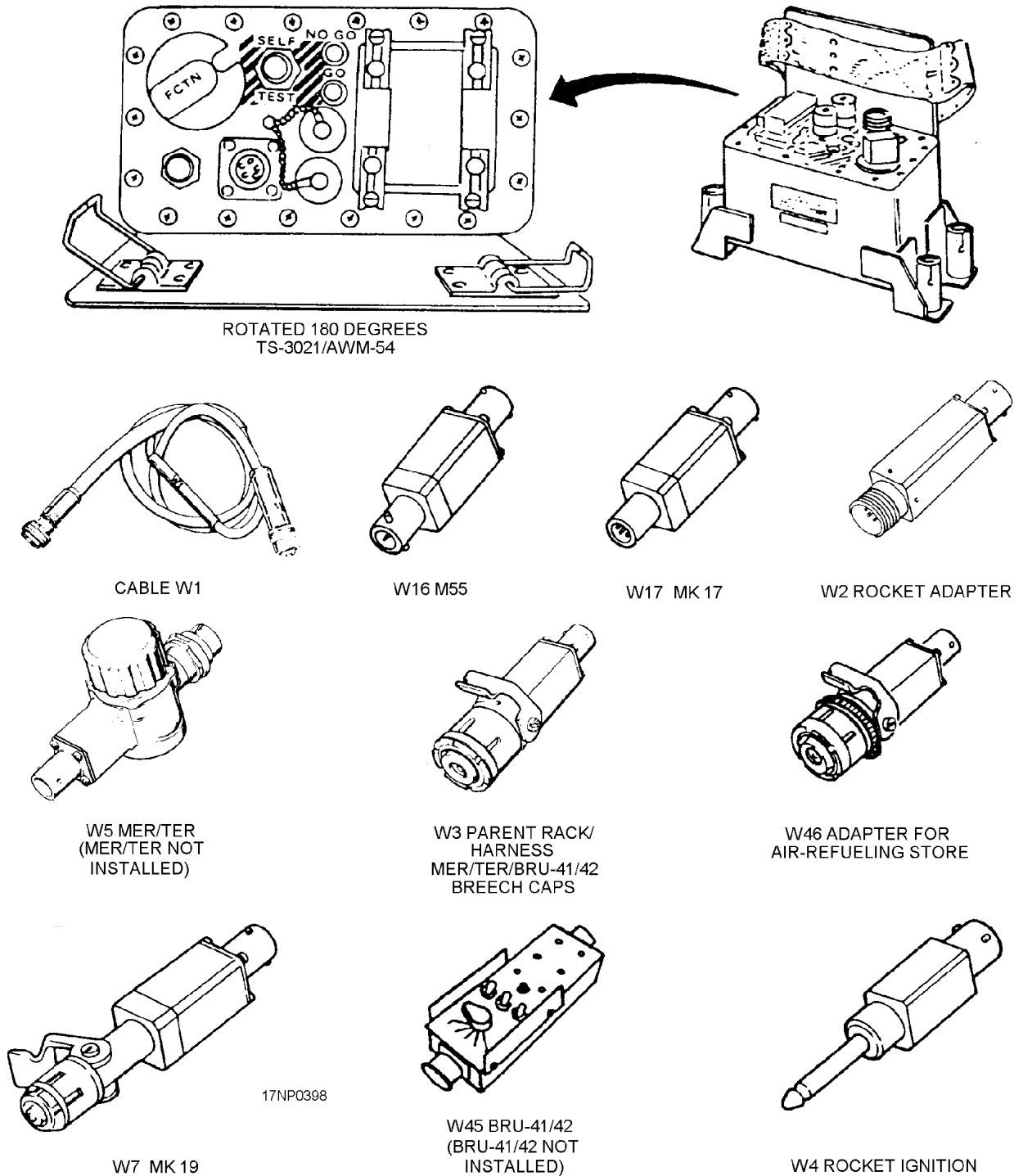


Figure 16-3.—AN/AWM-54 aircraft firing circuit test set.

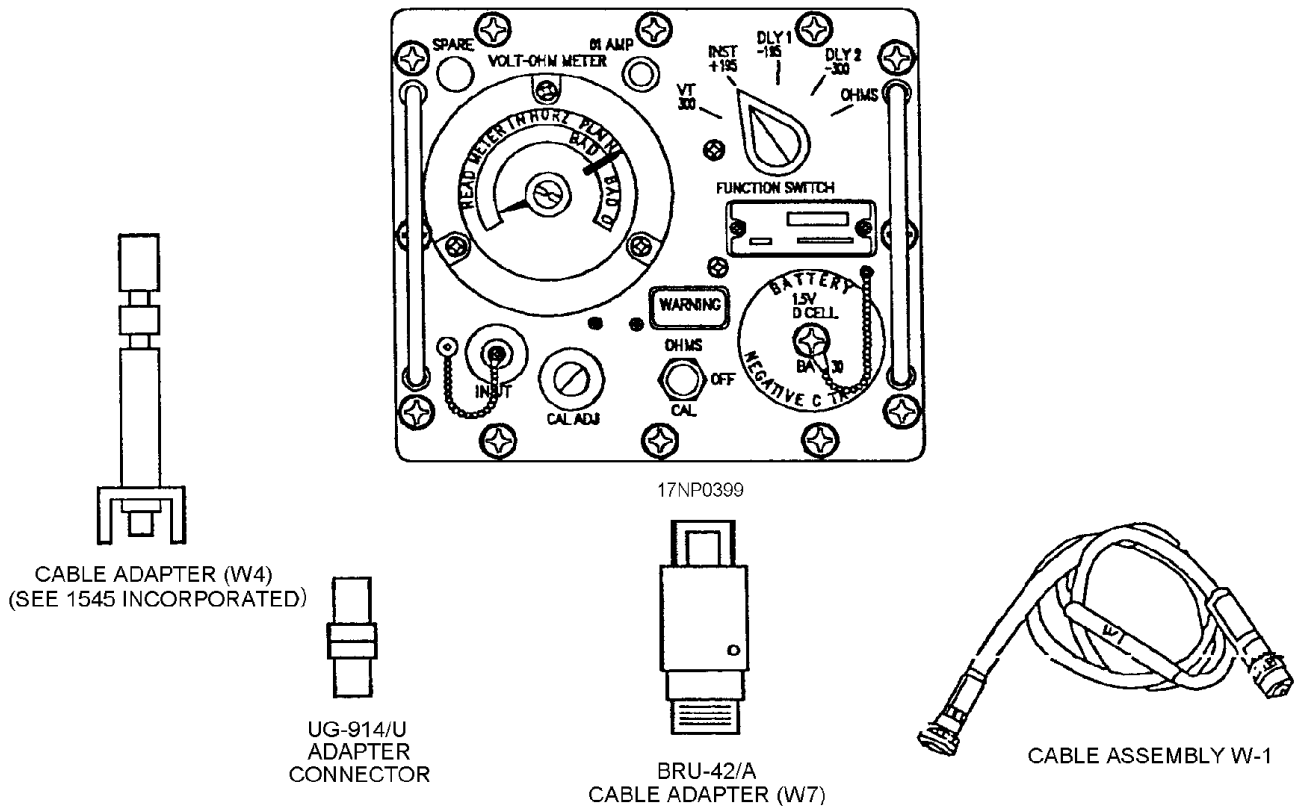


Figure 16-4.—AN/AWM-42A fuze function control test set.

- Adapter retainer assembly
- Technical manual

A battery charger (not shown) is also available, but you need to order it separately. The AWM-54 test set weighs about 7.5 pounds. It has a strap you can place around your waist for carrying the set.

Several accessory adapter assemblies are available for the test set. These adapters allow you to connect the test set to various armament configurations found on different aircraft. Some aircraft require only one or two adapter assemblies while others require five or six. These adapters are not furnished with the test set; they must be ordered separately.

### AN/AWM-42A FUZE FUNCTION CONTROL TEST SET

The AN/AWM-42A fuze function control test set (fig. 16-4) is used to check the dc fuzing capabilities of fuze function control circuits. You use it to check for continuity and resistance in the electric fuzing. The test set has its own power source. The AN/AWM-42A fuze function control test set is used on all Navy and Marine Corps aircraft that have electric fuzing capabilities.

### TTU-304/E GUIDED MISSILE TEST SET

The TTU-304/E guided missile test set (fig. 16-5) is used during prior-to-launch procedures for checking the tone and missile lock-on operability of the guidance control group of the Sidewinder missile. The TTU-304/E guided missile test set is used on all Navy aircraft that have Sidewinder missile capabilities.

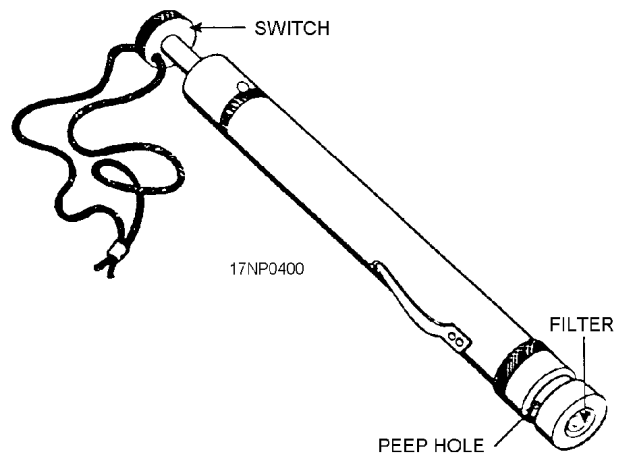


Figure 16-5.—TTU-304/E guided missile test set.

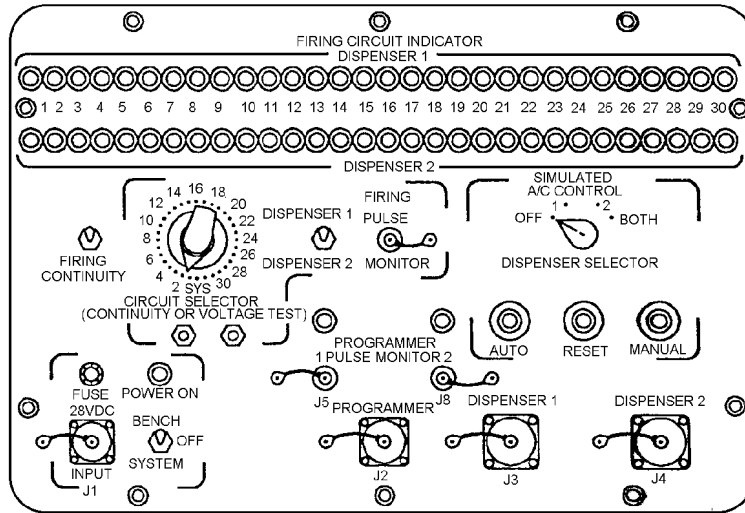
**AN/ALM-70A COUNTERMEASURE  
DISPENSER TEST SET**

The AN/ALM-70A countermeasure dispenser test set (fig. 16-6) is used to check the AN/ALE-39 chaff and decoy dispensing system and the AN/ALE-37A dispenser. You connect the test set to the system being checked by test set cables or test set adapters. The test set uses aircraft power for its operation. The

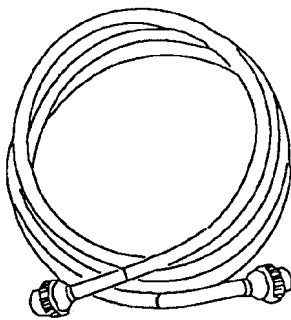
AN/ALM-70A test set is used on the F/A-18, S-3, and F-14 aircraft, and the H-60 helicopter.

**AN/ALM-225 COUNTERMEASURE  
DISPENSER TEST SET**

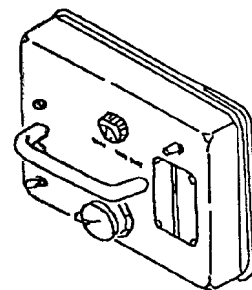
The AN/ALM-225 (fig. 16-7) is used for preflight testing of the AN/ALE-39 countermeasures dispenser system.



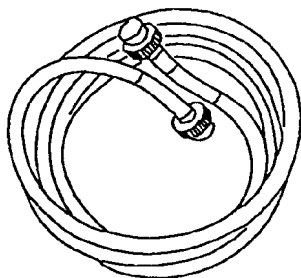
TS-2614/ALM-70 TEST SET



DISPENSER CABLE W-4

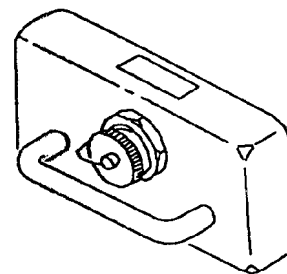


MX-7910/ALM-70 TEST ADAPTER



DISPENSER CABLE W-3

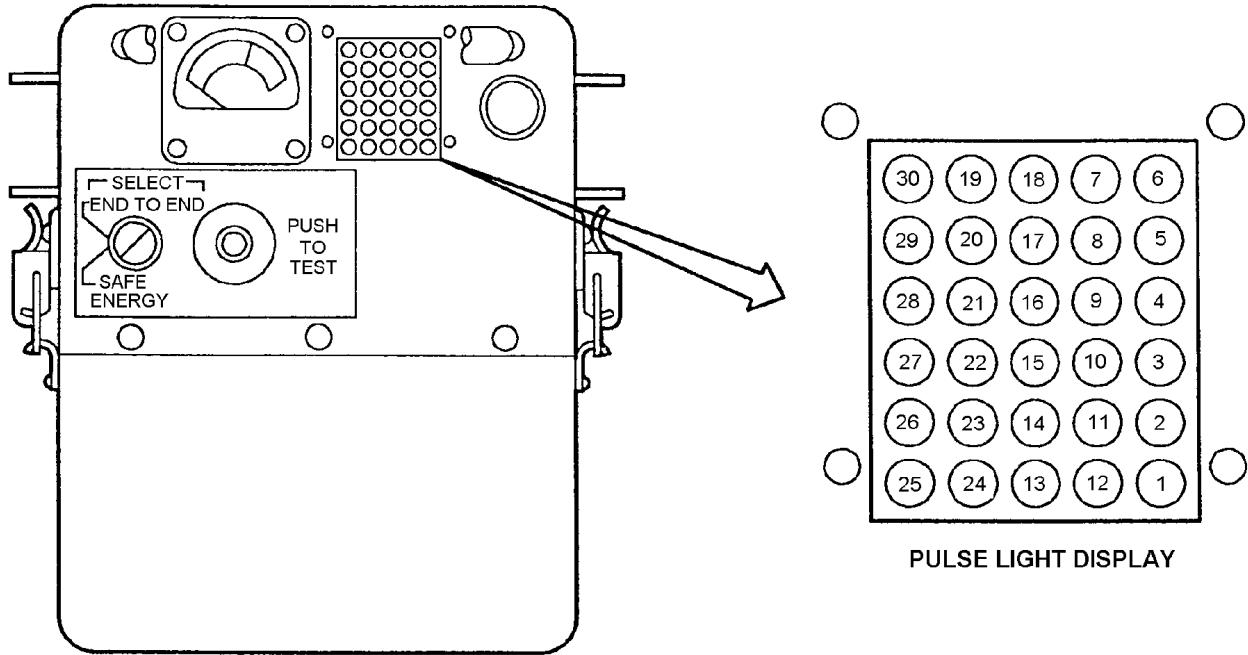
17NP0401



MX-8455/ALM-70A ADAPTER

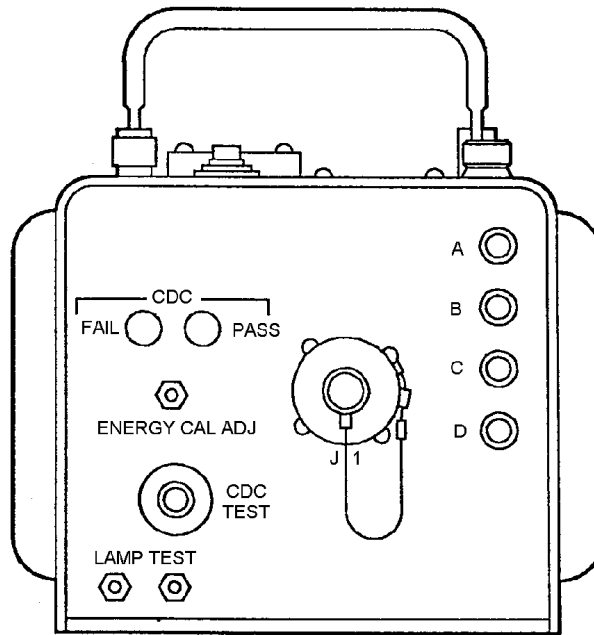
**Figure 16-6.—AN/ALM-70A countermeasure dispenser test set.**





TOP VIEW

17NP0402



FRONT VIEW  
(COVER REMOVED)

Figure 16-7.—AN/ALM-225 countermeasure dispenser test set.

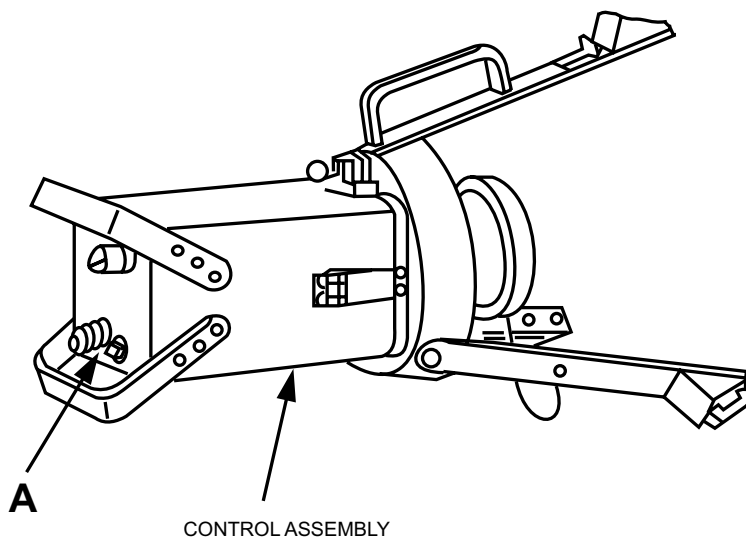
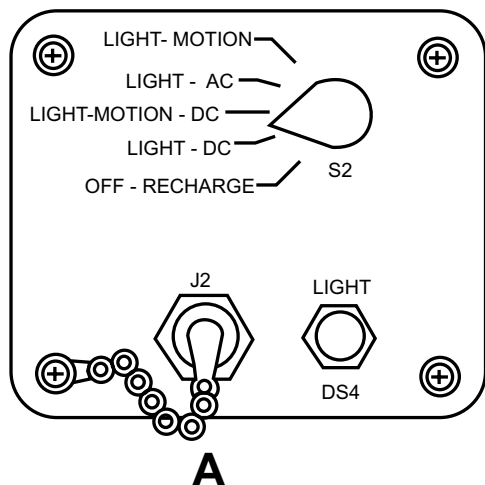
**REVIEW NUMBER 1**

TO ANSWER QUESTIONS 1 THROUGH 4, MATCH THE TEST SET WITH ITS DESCRIPTION.

<u>DESCRIPTION</u>	<u>TEST SET</u>
Q1. Used to make stray voltage checks on Navy aircraft	A. TTU-304/E
Q2. Used to check the dc fuzing capabilities of fuze function control circuits	B. AN/ALM-70A countermeasures dispenser test set
Q3. Used to check the tone operability of the Sidewinder missile during prior-to-launch procedures	C. AN/AWM-54
Q4. Used to check the AN/ALE-39A and AN/ALE-37 chaff/decoy dispensing systems	D. AN/AWM-42A

**AN/DSM-77 TEST SET**

The AN/DSM-77 test set (fig. 16-8) is used to evaluate the operational readiness of the Walleye weapon guidance section and aircraft cockpit television display. You use the test set to check the television camera and guidance section in the weapon, the lock-on control in the aircraft, and the video display.



AOF1608

Figure 16-8.—AN/DSM-77 series test set.

**AN/ASM-464 GUIDED MISSILE LAUNCHER TEST SET**

The AN/ASM-464 guided missile launcher test set (fig. 16-9) is a portable flight line test device. It is used to perform the operational checks of AIM-9 missile launching, visual target acquisition system (VTAS), and Sidewinder expanded acquisition mode (SEAM) circuits associated with the guided missile launcher LAU-7 (series). The AN/ASM-464 test set is used with the F/A-18 and F-14 aircraft and the H-1 and H-60 helicopters.

**TS-3279/ASM GUIDED MISSILE AVIONICS TEST SET**

The TS-3279/ASM guided missile avionics test set (fig. 16-10) is used to test the Visual Target Acquisition System/Sidewinder Expanded Acquisition Mode (VTAS/SEAM) aircraft system applicable to AIM-9 missiles.

**TS-4142/AWM-23 MISSILE INTERFACE TEST SET**

The TS-4142/AWM-23 missile interface test set (MITS) (fig. 16-11) is used to perform the AIM-54 missile station (LAU-93) checks. The TS-4142/AWM-23 test set is used with the F-14 aircraft.

**REVIEW NUMBER 1 ANSWERS**

**DESCRIPTION**

**TEST SET**

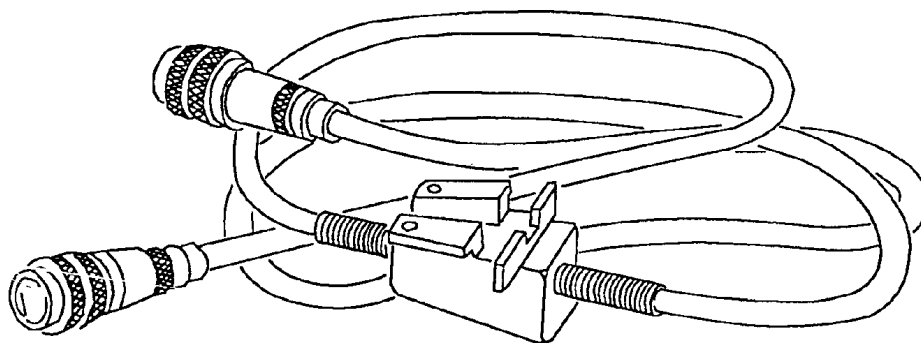
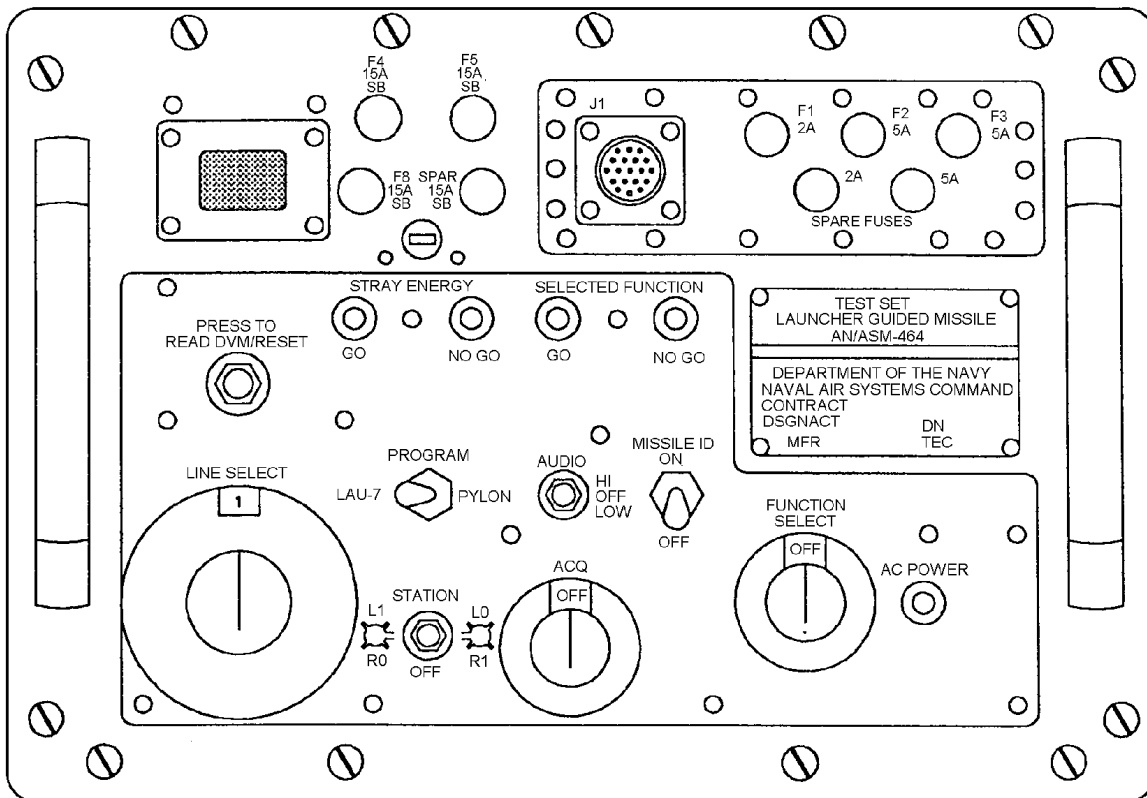
- A1. Used to make stray voltage checks on Navy aircraft
- A2. Used to check the dc fuzing capabilities of fuze function control circuits

- C. AN/AWM-54
- D. AN/AWM-42A

A3. Used to check the tone operability of the Side-winder missile during prior-to-launch procedures

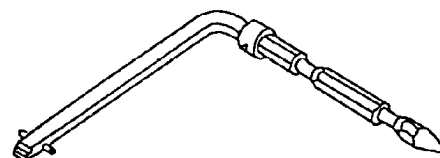
A4. Used to check the AN/ALE-39A and AN/ALE-37 chaff/decoy dispensing systems

- A. TTU-304/E
- B. AN/ALM-70A countermeasures dispenser test set



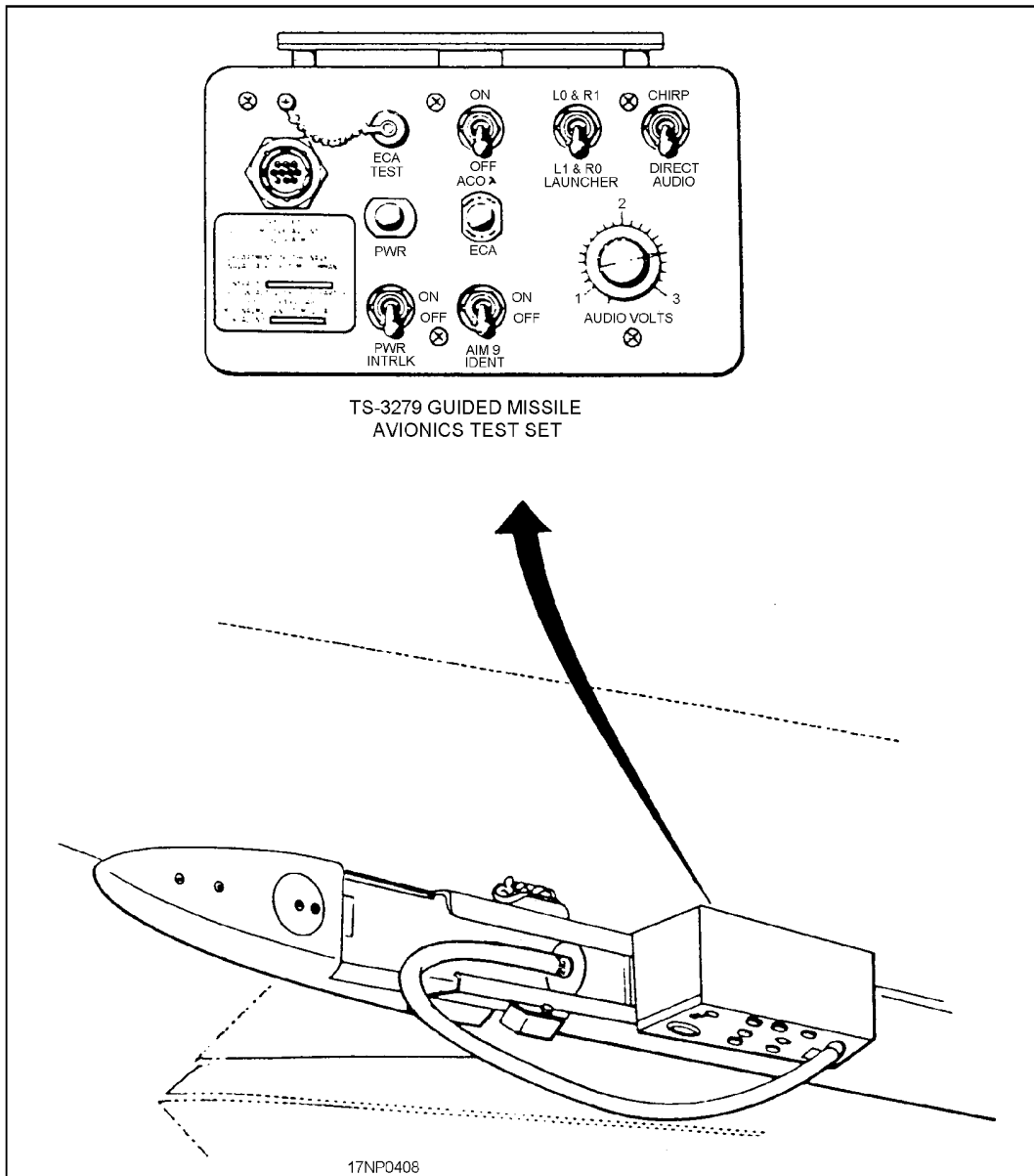
CABLE ASSEMBLY-W1

17NP0407

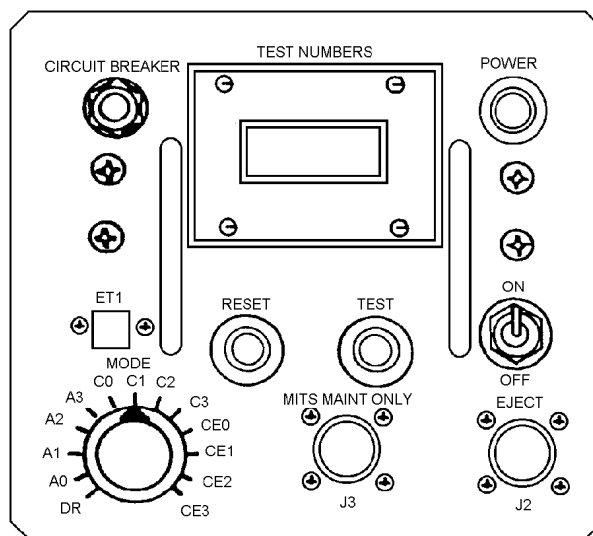


DETENT WRENCH

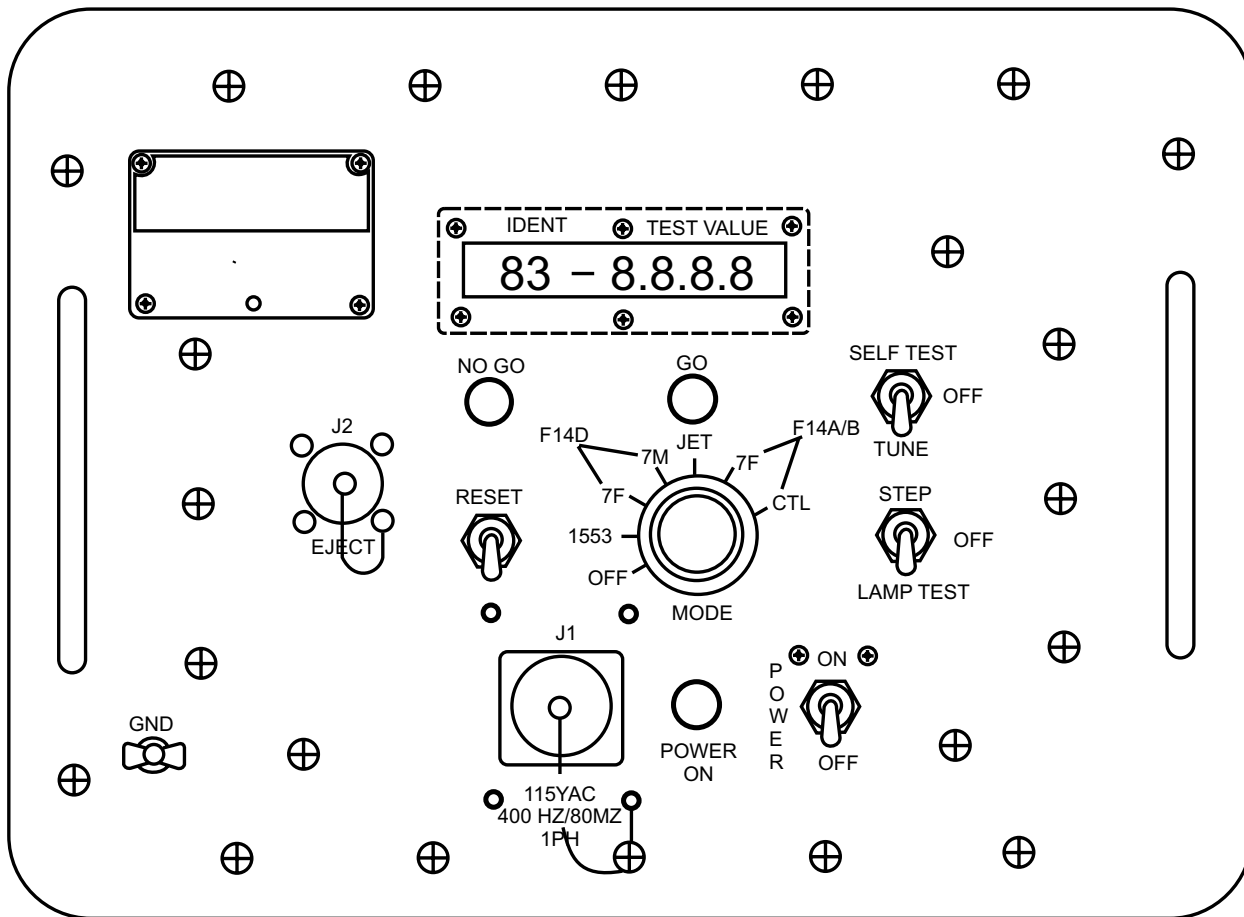
**Figure 16-9.—AN/ASM-464 guided missile launcher test set.**



**Figure 16-10.—AIM-9 SEAM system check.**



**Figure 16-11.—TS-4142/AWM-23 missile interface test set.**



AOf1612

Figure 16-12.—Sparrow missile test set.

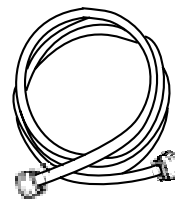
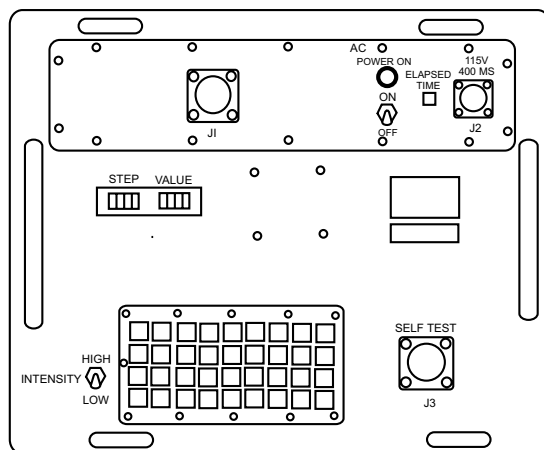
### SPARROW MISSILE STATION TEST SET

The Sparrow missile station test set (SMTS) (fig. 16-12) is used to verify the operational status and functions of the AIM-7 Sparrow missile control system. When connected to the aircraft, the SMTS simulates the missile and provides visual indications of

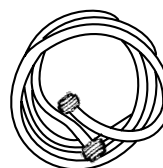
received inputs. The test set is used with the F-14 aircraft.

### AN/AWM-92 AIRCRAFT WEAPONS CONTROL TEST SET

The AN/AWM-92 test set (fig. 16-13) is used to perform operational checks of the HARM, Maverick,



CABLE ASSEMBLY W-4



CABLE ASSEMBLY W-1

AOf1613

Figure 16-13.—AN/AWM-92 aircraft weapons control test set.

Walleye, and missile launch and control systems. This test set is used with the F/A-18 aircraft.

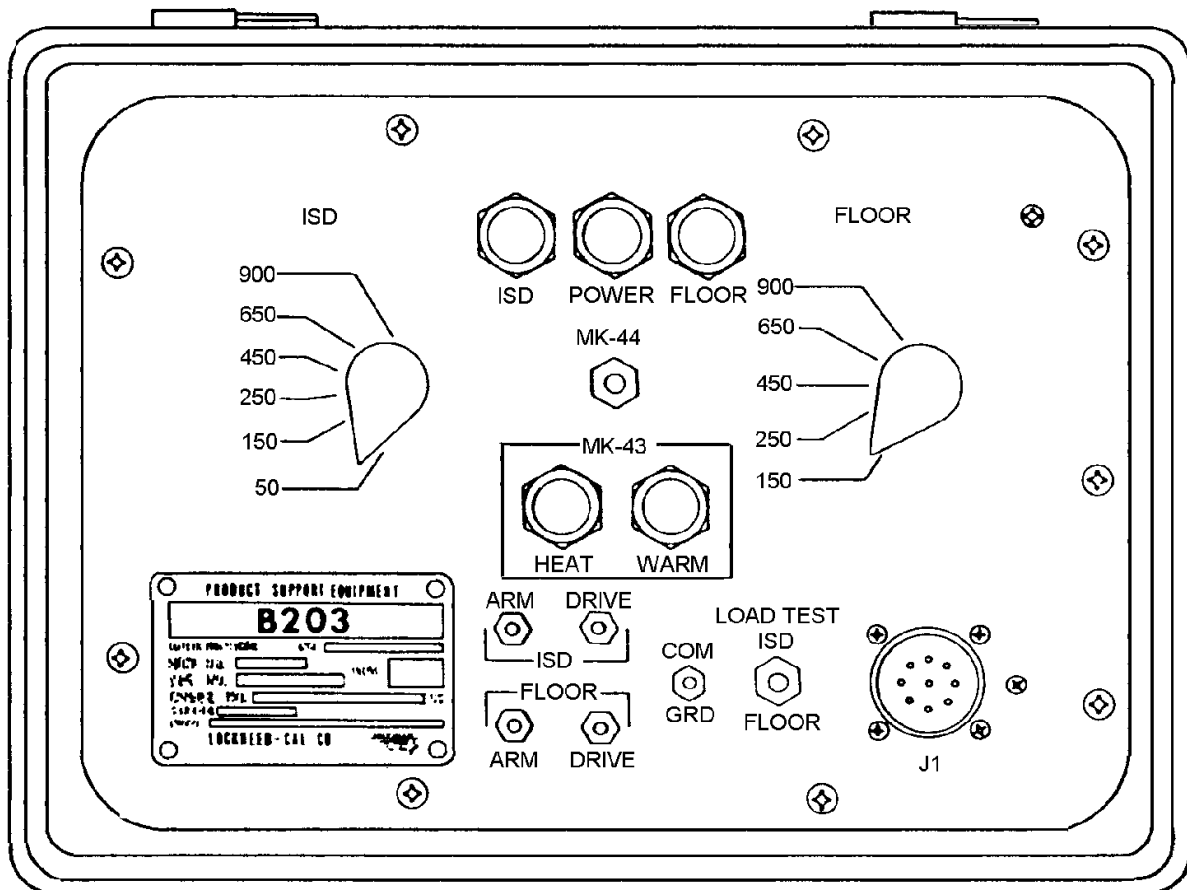
**B203 TORPEDO HEAT AND CONTROL SYSTEM TEST SET/B473 TEST SET OVERLAY**

The B203 torpedo heat and control system test set (fig. 16-14) is used to perform circuit continuity tests on Mk 46 torpedo preset circuits. The B473 test set (fig. 16-15) consists of an overlay and an adapter cable. It is

used with the B203 torpedo heat and control test set to perform circuit continuity tests on Mk 46 torpedo preset circuits. Both the B203 and B473 test sets are used with the P-3 aircraft.

**TS-3519D/DSM TEST SET SIMULATOR**

The TS-3519D/DSM (P-3 aircraft) test set simulator (fig. 16-16) is a manually programmable digital test set used with the P-3 aircraft. It is used to functionally check the AGM-84 system prior to loading.



17NP0413

Figure 16-14.—B203 torpedo heat and control system test set.

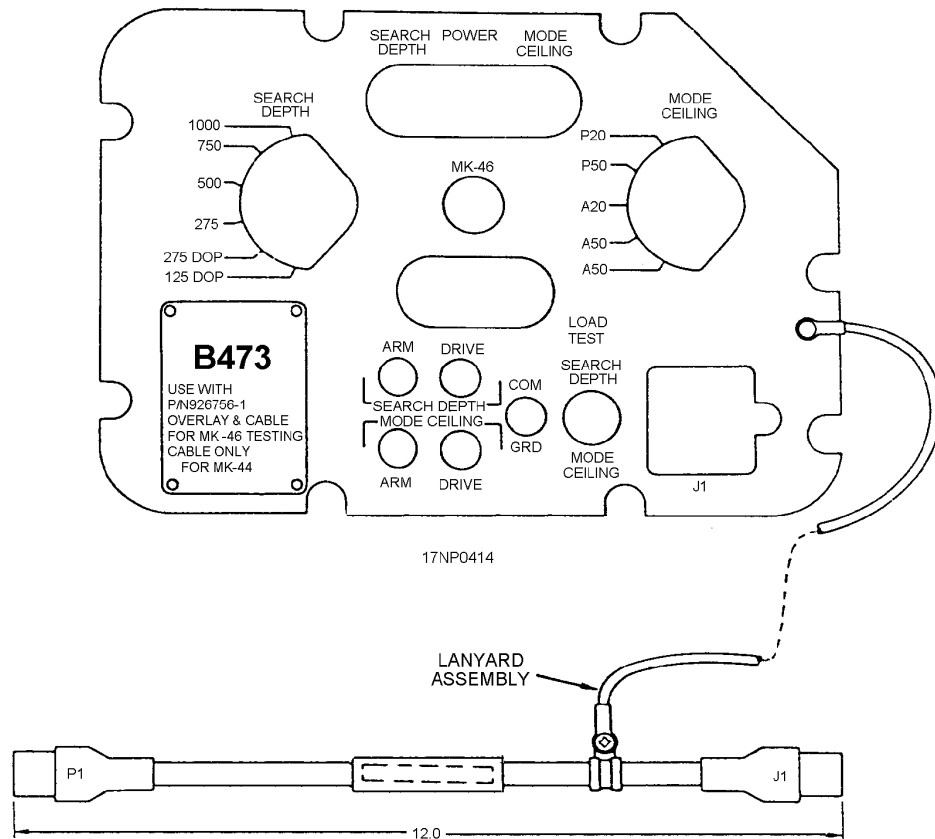


Figure 16-15.—B473 test set overlay.

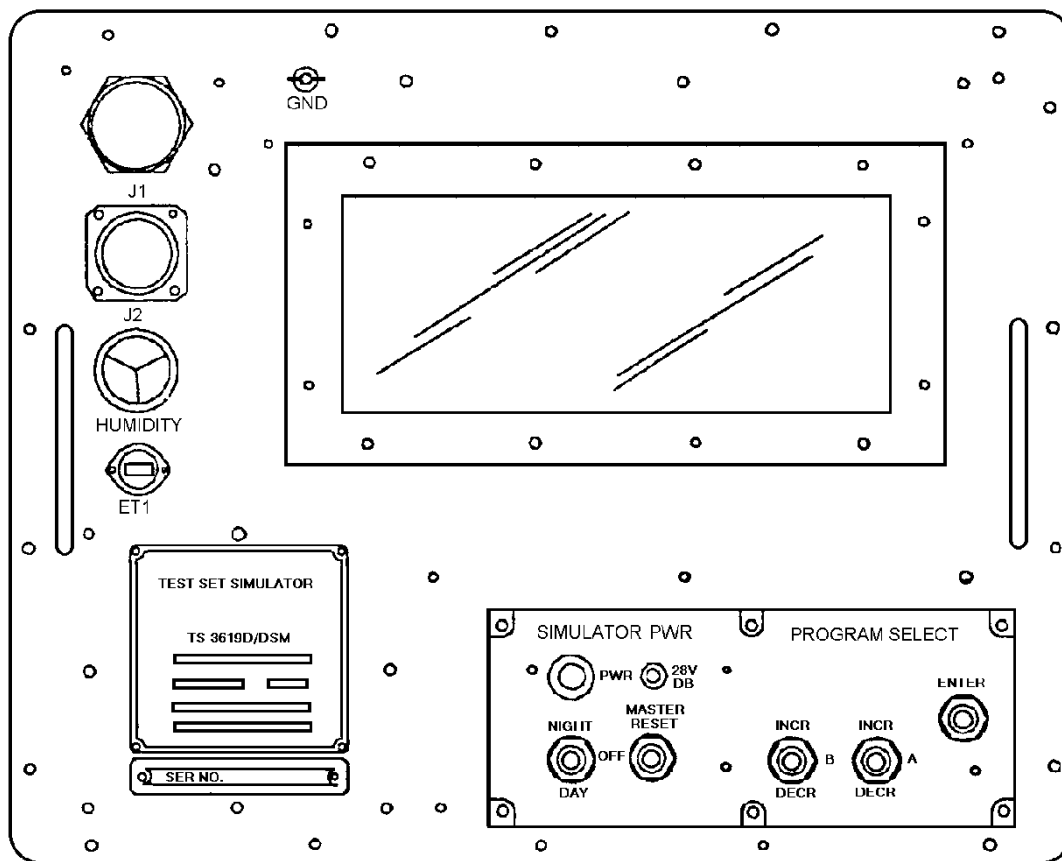


Figure 16-16.—TS-3519D/DSM test set simulator (P-3 aircraft).

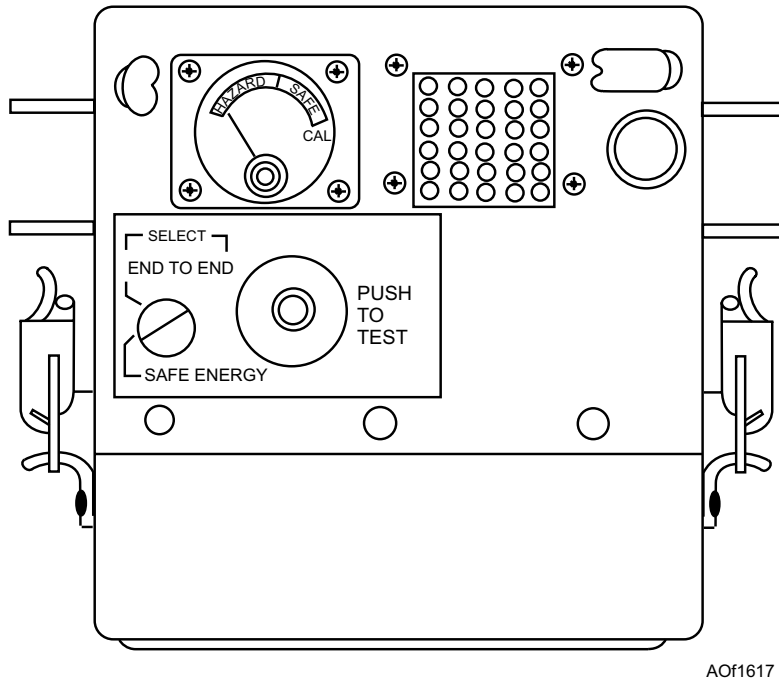


Figure 16-17.—TS-3519D/DSM test set simulator (S-3 aircraft).

### TS-3519D/DSM TEST SET SIMULATOR

The TS-3519D/DSM (S-3 aircraft) test set simulator (fig. 16-17) is a portable test set. It is used to

simulate a Harpoon missile for wing station checkout, power-on functional testing, and fault isolation. The TS-3519D/DSM is used with the S-3 aircraft.

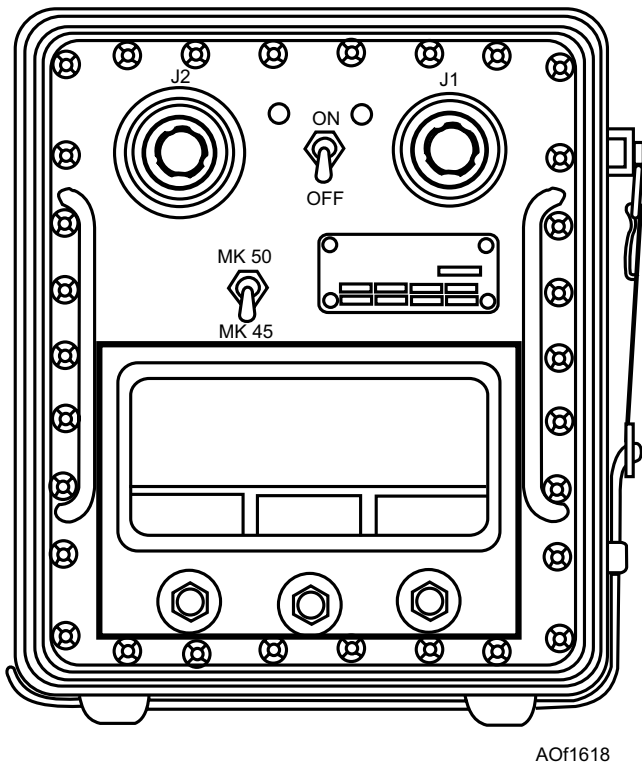


Figure 16-18.—MK 432 Mod 4 airborne torpedo presetter test set.

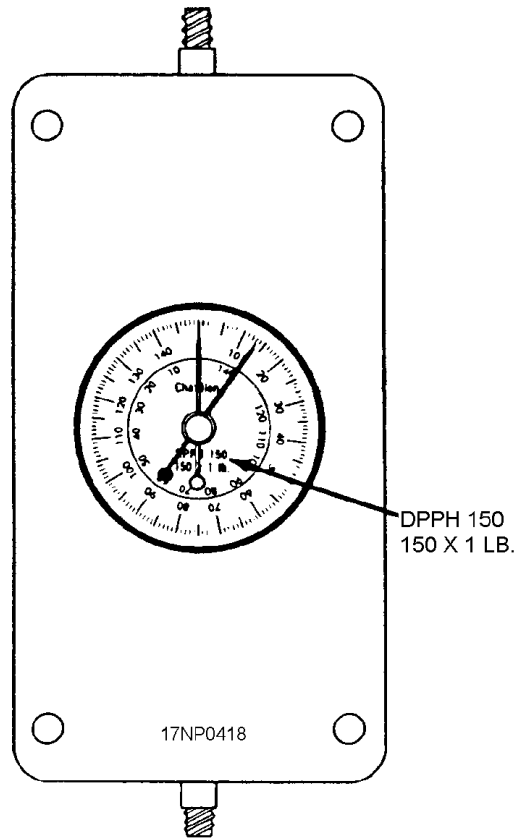


Figure 16-19.—Force retention gauge (typical).



## MK 432 MOD 4 AIRBORNE TORPEDO PRESETTER TEST SET

The MK 432 MOD 4 airborne torpedo presetter test set (fig. 16-18) has capabilities for functionally testing the presetter portion of the armament control panel subassembly in the aircraft. It can also be used to check aircraft wiring and the torpedo umbilical connector. The MK 432 MOD 4 test set is used with the P-3 and S-3 aircraft.

## FORCE RETENTION GAUGE

The force retention gauge (fig. 16-19) is used to functionally check the bomb rack nose and tail arming solenoids. You should refer to the applicable maintenance instruction manual for the proper retention readings.

### REVIEW NUMBER 2

IN ANSWERING QUESTIONS 1 THROUGH 5,  
MATCH THE DESCRIPTION WITH THE TEST  
SET.

<u>DESCRIPTION</u>	<u>TEST SET</u>
Q1. Used to evaluate the operational readiness of the Walleye weapon guidance section cockpit television display	A. TS-3279
Q2. Used to perform the operational checks of the AIM-9 missile launching, visual target acquisition system (VTAS), and Sidewinder expanded acquisition mode (SEAM)	B. B203 torpedo heat and control system test set
Q3. Used to check the VTAS/SEAM system on AIM-9 missiles	C. AN/DSM-77
Q4. Used to verify the operational status and function of the AIM-7 Sparrow missile on the F-14 aircraft	D. Sparrow missile test set
Q5. Used to perform circuit continuity tests on Mk 46 torpedo preset circuits	E. AN/ASM-464

## TEST EQUIPMENT SAFETY SUMMARY

**LEARNING OBJECTIVE:** *Recognize the safety precautions to follow when working with aircraft weapons systems test equipment.*

The test equipment discussed in this chapter is designed to perform various functions. Two of the most important functions are—

1. to ensure the correct firing voltage is available at the appropriate station when the cockpit switches are properly set, and
2. to ensure that voltage or stray voltage is not present before electrical connection of certain launchers, such as rocket launchers, is made.

These two functions are called *aircraft release and system control checks*. Normally, you perform aircraft release and system control checks before the weapons are installed on the aircraft. However, some checks require the weapons to be loaded on the aircraft. As part of the loading process, the Sparrow, Phoenix, Walleye, and Sidewinder (on some aircraft) weapons are electrically mated to the aircraft. Then, the external power is applied to the aircraft, and a missile-on-aircraft test (MOAT) is performed. This test is normally performed during the prior-to-launch sequence.

You conduct the Sparrow and Phoenix MOAT by activating the circuits within the aircraft. Then, you observe the indications as they are received in the cockpit. No test equipment is required to perform this test.

At least two team members and a team leader using an audio headset and a TTU-304/E tester perform the Sidewinder MOAT. The TTU-304/E tester is basically a pencil flashlight with an infrared filter lens.

The person in the cockpit plugs the headset into the audio connection and turns on the switches indicated in the checklist. These switches are Sidewinder COOL, STATION SELECT, and AUDIO CONTROL. The person at the missile station removes the missile protective dome cover. Then, with the tester turned ON, the beam of the tester is moved across the nose of the missile from a distance of 4 to 6 feet. As the missile senses radiation from the tester through the launcher's audio amplifier, a tone is heard in the headset. If more than one missile is loaded, each missile should be tested and the dome covers replaced. Sidewinder MOAT may also be performed during pretaxi arming signals with the pilot as the person in the cockpit.

## REVIEW NUMBER 2 ANSWERS

<u>DESCRIPTION</u>	<u>TEST SET</u>
A1. Used to evaluate the operational readiness of the Walleye weapon guidance section cockpit television display	C. AN/DSM-77
A2. Used to perform the operational checks of the AIM-9 missile launching, visual target acquisition system (VTAS), and Sidewinder expanded acquisition mode (SEAM)	E. AN/ASM-464
A3. Used to check the VTAS/SEAM system on AIM-9 missiles	A. TS-3279
A4. Used to verify the operational status and function of the AIM-7 Sparrow missile on the F-14 aircraft	D. Sparrow missile test set
A5. Used to perform circuit continuity tests on Mk 46 torpedo preset circuits	B. B203 torpedo heat and control system test set

The Walleye MOAT also requires at least three persons and a DSM-77 test set. The DSM-77 test set projects a test image to be received by the Walleye.

With the cockpit switches ON, as listed in the checklist, the Walleye dome cover removed, and the tester mounted on the weapon and switched to LIGHT, a display appears on the aircraft monitor. When the tester is switched to LIGHT-MOTION, the image moves from side to side, diagonally, or up and down, depending upon the position of the tester. The tester control assembly is rotated around the foundation assembly during the testing process. During each position test, the person in the cockpit pulls the trigger switch and the weapon's television camera will lock on to one of the target dots and follow it as it moves. As each test is completed for each weapon loaded, the dome cover should be replaced.

### WARNING

**During MOAT, or any other test being performed after weapons have been loaded on the aircraft, the MASTER ARMAMENT**

**switch must NEVER be placed in the ON position.**

When performing aircraft release and system control checks, you should always use the step-by-step procedures (checklist) provided in the aircraft loading manual. A few safety precautions must be observed when performing aircraft release and system control checks. These precautions are listed below.

1. Before you begin an aircraft release and system control check, make sure the aircraft is parked in a designated area, secured, and electrically grounded.
2. Before you apply external electrical power to the aircraft, make sure all cockpit switches have been positioned to OFF, NORMAL, or HOLD. If required, apply external air conditioning.
3. Release and control system checks will not be performed with weapons loaded on the aircraft. Checks may be performed with airborne stores (fuel tanks, empty MERs/VERs, pods, etc.) installed on the aircraft stations, provided cartridge retainers, breech caps, and ejector cartridges are removed.
4. Test equipment should only be used by personnel who have become qualified through an established qualification and certification program.

Stray voltage checks are normally performed with the weapon loaded on the aircraft, but they are made before making an electrical connection between the weapon and the aircraft. Additionally, this check is normally performed after the aircraft's engines have been started and all aircraft preflight checks have been completed. The stray voltage check is performed at the last possible moment before the aircraft takes off. This is to ensure that no voltage has been induced in the aircraft firing circuitry from external sources, such as the ship's radar. The launcher electrical safety pin must not be removed until the aircraft is positioned on the catapult for takeoff.

## REVIEW NUMBER 3

- Q1. *How many persons are required to perform a MOAT on a Sidewinder missile?*
- Q2. *In what position should the MASTER ARM switch be set when a MOAT is being conducted on a naval aircraft?*

**REVIEW NUMBER 3 ANSWERS**

A1. *At least three persons are required to perform a MOAT on a Sidewinder missile.*

A2. *The MASTER ARM switch should be set in the OFF or SAFE position when a MOAT is being conducted on a naval aircraft.*



## CHAPTER 17

# AMMUNITION ADMINISTRATION ASHORE AND AFLOAT

Ammunition is vital to naval operations. Because of its high cost and logistical characteristics, the status of ammunition is carefully and continuously studied at the highest echelons of the defense establishment. Ammunition is a high-priority consideration by operational and logistics commanders. It is essential for logistics planning that current and accurate information concerning Navy ammunition stock status be available at the appropriate time. This information must be available to commanders of naval forces when planning their training and operational expenditures. For these reasons, accurate and prompt reporting of individual ammunition transactions directly affects the Navy's ability to sustain a high degree of readiness.

### RETAIL ORDNANCE LOGISTICS MANAGEMENT SYSTEM

**LEARNING OBJECTIVE:** *State capabilities of the Retail Ordnance Logistics Management System (ROLMS)*

The Retail Ordnance Logistics Management System (ROLMS) is an integrated system of applications software designed to manage non-nuclear expendable ordnance. It provides for the automation of the receipt, issue, inventory record keeping, and reporting of ammunition assets and movements with the ultimate objective being the enhancement of Fleet readiness and stock point ordnance management. ROLMS replaced four legacy systems, Ordnance Management System (OMS), Fleet Optical Scanning Ammunition Marking System (FOSAMS), the Standardized Conventional Ammunition Automated Inventory Record (SCAAIR) and the Ammunition Logistics System (AMMOLOGS).

ROLMS was designed to operate as either a stand alone system residing on a personal computer or in a client/server network environment.

#### ROLMS Capabilities

ROLMS supports all ship and shore activity asset management and reporting requirements. ROLMS

automates many ammunition logistics management and reporting functions performed by the stock points and end users, specifically:

- a. Inventory – to the specific grid location
- b. Requisitioning
- c. Issue/Receipt Reporting
- d. Expenditure Reporting
- e. Asset Maintenance
- f. NAR processing
- g. Transaction reporting (either Ammunition Transaction Reporting (ATR) or Transaction Item Reporting (TIR))
- h. Space Management – including Net Explosive Weight (NEW) Management for Explosive Arc and Compatibility Management
- i. Load Plan management
- j. Excess/Disposal Processing
- k. DD 1348-1's and shipping labels
- l. Bar Code processing

#### ROLMS System Interfaces

ROLMS interfaces with various systems to exchange data and information. Specifically:

- a. CAIMS for Navy and Marine aviation ordnance inventory data.
- b. MAARS-II for Marine Corps ground ordnance inventory data.
- c. ADIMS for ordnance held for disposal and demilitarization.
- d. Total Ammunition Movement Management System (TAMMS) for internal activity transportation.
- e. Defense Transportation Tracking System (DTTS) for ordnance transportation satellite tracking.

- f. Marine Air Ground Task Force (MAGTF) Deployment Support System II (MADSS-II) for ground ammunition movement tracking.

For further information on the ROLMS system, refer to NAVSUP P-724, Chap 9.

### **CONVENTIONAL AMMUNITION INTEGRATED MANAGEMENT SYSTEM**

**LEARNING OBJECTIVE:** *Describe the functions and state the purpose of the Conventional Ammunition Integrated Management System (CAIMS).*

The Conventional Ammunition Integrated Management System (CAIMS) is a management tool for all echelons of the Navy that relate assets to requirements and to inventory managers for item decision-making purposes. The Naval Ammunition Logistics Center (NAVAMMOLOGCEN) in Mechanicsburg, Pennsylvania maintains the CAIMS ammunition stock status file. Pertinent data is extracted from this file for distribution to interested fleet and area commanders. The CAIMS ammunition stock status file is not automatically distributed to commands. It is available and may be requested by individual commands through normal chain-of-command procedures. The CAIMS ammunition stock status file provides the following data:

1. Date of the last transaction report
2. Monthly and cumulative (to date this fiscal year) expenditures by ammunition type, as listed below:
  - a. Combat
  - b. Training
  - c. Test/evaluation
  - d. Non-combat operations
  - e. Disposal
  - f. Loss by inventory
  - g. Out of system transfers
3. Quantity on hand
  - a. Serviceable
  - b. Unserviceable/suspended
4. Allowance
5. Percent of allowance on board

The foregoing data is provided by Navy Ammunition Logistics Code (NALC), Department of Defense Identification Code (DODIC), or by activity (listing the NALCs/DODICs carried by each activity).

The accuracy of CAIMS relates to the ammunition actually on hand at your command. Therefore, you must accurately report all receipts, issues, Condition code changes, and inventory adjustments. Currently, Navy activities report to CAIMS by two methods—transaction item reports (TIRs) and ammunition transaction reports (ATRs). TIRs are transceived daily by activities that use automated information systems. ATRs are submitted by fleet activities via naval messages.

For further information on the CAIMS system, refer to NAVSUP P-724, Chap 9.

### **AMMUNITION REQUISITIONING AND TURN-IN PROCEDURES**

**LEARNING OBJECTIVE:** *Use the terms and definitions associated with ammunition requisitioning and turn-in; describe the procedures to be followed when preparing requisition documents; identify the variables that affect requisitioning by fleet units; and describe file maintenance procedures, turn-in procedures, and temporary custody of ordnance ashore.*

The military standard requisitioning and issue procedures (MILSTRIP) are used for ordering all ordnance. *MILSTRIP/MILSTRAP Manual*, NAVSUP P-437, and *Afloat Supply Procedures Manual*, NAVSUP P-485, provide complete MILSTRIP procedures. Each fleet commander (CINCLANTFLT and CINCPACFLT) issues instructions that provide detailed guidance for requisition and turn-in of ammunition within their jurisdiction. The information and procedures in both instructions are basically the same. For simplicity, the information in this chapter pertains to units within the Atlantic Fleet and European areas.

### **TERMS AND DEFINITIONS**

Because you work with ordnance, you need to be familiar with ammunition terms and definitions. Some terms are discussed in more detail later in this chapter. The following terms and definitions are used throughout this chapter:

*All-Up-Round (AUR).* An AUR is a weapon that is issued as a complete assembly (less wings and fins).

*Ammunition.* Ammunition is conventional expendable ordnance material, which includes gun-type ammunition, bombs, rockets, ASW weapons, guided missiles, mines, torpedoes, demolition, and pyrotechnic materials. For the purpose of this discussion, ammunition includes all items assigned a four-digit NALC as listed in the publication *Navy Ammunition Logistics Codes*, NAVAIR 11-1-116B/TW010-AA-ORD-030. This also includes OT-cognizance material (Marine Corps expendable ordnance).

*Ammunition allowances.* Ammunition allowances are established to maintain operational units in a mission-ready posture. The different types and quantities of ammunition a unit is allowed to carry depend upon the unit's mission assignment. Also, a unit's ammunition allowance reflects allowances for training, peacetime missions, and wartime missions.

The Chief of Naval Operations approves ammunition allowance lists. Ammunition stocking level lists identifies the type and quantity of combat ordnance authorized to be carried on board. Separate cargo and/or mission load ammunition allowance lists are provided for combat landing force (CLF) ships, amphibious force ships, tenders and aircraft carriers, which are developed by the fleet and type commanders. These lists identify the ordnance authorized to support the mission assignment. A few of the ammunition allowances are described in the following statements.

Approved basic stock level of ammunition (ABSLA) is the quantity of non-nuclear ordnance at a shore facility to support all aspects of that activity's mission until resupply can be effected.

Cargo load allowance is the allowance of ammunition carried by AE, AOE, AOR, and AO class ships. This ammunition is issued to other fleet units in support of their assigned mission.

Mission load allowance is the allowance of ammunition carried by CV, LPH, AD, and AS class ships in support of their assigned mission, exclusive of the ship's own armament.

Shipfill allowance (formerly ship's service allowance) is the allowance of ammunition for the ships permanently installed armament. Shipfill ammunition does not include ammunition held for issue to other activities.

Changes to the shipfill allowance list require prior approval of the Chief of Naval Operations. A proposed change should be submitted by letter from the ship concerned through the normal chain of command. Changes to the cargo or mission load allowance lists require prior approval of CINCLANTFLT. Proposed changes to the cargo or mission load allowance lists should be submitted to CINCLANTFLT through the normal chain of command.

*Check-sum-digit.* The check-sum-digit is the last digit in a sum of numbers. It is entered after a slant mark (/) immediately following the number being checked. For example, in the entry E487 (4+8+7=19), 9 are the check-sum-digit. The entry is written as E487/9. The check-sum-digit provides Naval Ammunition Logistics Center with a check and balance to ensure that the proper NALC is entered on DD Form 1345, register four.

*Cognizance symbol (COG).* The cognizance symbol is a two-digit NSN prefix that identifies the systems command, office, agency, or inventory control point exercising supply management for a specific category of ammunition. For example, in NSN 2E1425-00-940-1347-E075, the two-digit symbol 2E is the COG. (Refer to fig. 17-1.) COG symbols are listed in NAVAIR 11-1-116B/TW010-AA-ORD-030.

*Complete round.* A complete round is one that is or can be assembled from any acceptable combination of components. It is capable of being used operationally without the performance of work on the round other than normal assembly operations.

*Department of Defense Ammunition Code (DODAC).* The Department of Defense Ammunition Code (DODAC) is made up of the federal supply class (FSC) plus the DODIC or NALC. For example, in NSN 2E1425-00-940-1347-E075, the DODAC is 1425E075. (See fig. 17-1.)

<u>National Stock Number</u>			
2E1425-00-940-1347-E075			
<u>BREAKDOWN</u>			
2E	1425	00-940-1347	E075
COG	FSC	NIIN	DODIC OR NALC

Figure 17-1.—National stock number (NSN) breakdown.

*Department of Defense Identification Code (DODIC).* The Department of Defense Identification Code (DODIC), is a four-digit code assigned by the Defense Logistics Services Center (DLSC) and it identifies ammunition and explosive items. The acronyms DODIC and NALC, or their respective meanings are used interchangeably in the remainder of this chapter.

*Expenditure.* An expenditure occurs when an item is permanently removed from the Navy inventory. A round that is detonated, burned, fired, exploded, surveyed or lost by inventory, deepwater dumped, or transferred to other services or another country is posted and reported as an expenditure. Transfers of ammunition to other Navy/Marine Corps activities are NOT expenditures. The various types of expenditures include combat, training, test and evaluation, operational, disposal, loss by inventory, and transfers out of the Navy reporting system.

*Gain by inventory (GBI).* A GBI is an increase in the asset position based upon physical inventory of an ammunition item.

*Issue.* An issue is the transfer of an item, regardless of its serviceability condition, to another activity. This includes off-loads to shore activities and transfers to other ships.

*Lead time.* Lead time is the time difference between the Julian date of the requisition and the required delivery date (RDD). It consists of submission time, or the time to transmit the requisition from the requisitioner to the stock point, plus processing and delivery time at the stock point.

*Loss by inventory (LBI).* An LBI is a decrease in the asset position based upon a physical inventory of an ammunition item.

*Maintenance due date (MDD).* The maintenance due date of a weapon is predicated on the component of the weapon that next requires intermediate- or depot-level maintenance or testing. MDDs vary from weapon to weapon and within configurations of weapons. They are used to determine serviceability. Weapons with an expired MDD are not serviceable.

*National stock number (NSN).* An NSN is a 13-digit number used to identify an item of material in the supply distribution system of the United States. It consists of a four-digit federal supply class (FSC) and a nine-digit national item identification number (NIIN). (See fig. 17-1.)

*Navy ammunition reclassification (NAR) system.* NARs provide information pertaining to the degree of serviceability of non-nuclear explosive ordnance or explosive material used by the Navy, Marine Corps, and Coast Guard. Reclassification refers to the change of an item's material condition code. NARs are issued by message and often contain information directly related to the safety of personnel and/or equipment. NARs are numbered consecutively within each calendar year and serve as supplements to the *Ammunition—Unserviceable, Suspended, and Limited Use*, TW024-AA-ORD-010, until incorporated by a change or revision.

*Receipt.* A receipt is any transaction that increases the on-hand inventory of an item, regardless of its serviceability condition. Receipts from another ship, activity, service, and GBIs are included.

*Reconciliation.* Reconciliation is the process of reporting on-hand assets of items that have had no transactions since the previous reconciliation. Naval Ammunition Logistics Center Mechanicsburg uses reconciliation reports to identify and correct errors in individual ship or activity's data files and in the CAIMS database.

*Serial/lot item tracking (SLIT).* Serial/lot item tracking is a subsystem of CAIMS that accounts for certain items of ordnance by individual serial, lot, or register number.

*Temporary custody ashore.* Temporary custody ashore refers to ammunition temporarily stored ashore by a ship that intends to reload the ammunition aboard at a later date. It does not include ammunition held temporarily for further transfer (FFT).

*Transaction.* For reporting purposes, a transaction is any change in the reported asset posture of an ammunition item. Examples of transactions are receipt; reclassification from suspended to serviceable; expenditure, and issue.

*Transfer.* Transfer is the movement of assets from a Navy activity to an activity outside the Navy accounting system such as the Army, Air Force, Coast Guard, or a foreign government.

*Type Maintenance Due Code (TMDC).* A Type Maintenance Due code is a code that indicates what type of maintenance action is due next for an individual item.

*Unserviceable/suspended ammunition.* Unserviceable/suspended ammunition are components that are not ready for use and cannot be made serviceable using



immediately available maintenance and repair capability. This includes both unserviceable items and items suspended pending quality evaluation, test, renovation, or ammunition reclassification. Torpedoes and missiles that are not ready for unrestricted use or are overdue for maintenance are considered unserviceable. Unserviceable ammunition includes Condition codes ECHO, FOXTROT, GOLF, HOTEL, JULIET, KILO, LIMA, MIKE, and NOVEMBER.

## REQUISITION DOCUMENT PREPARATION

MILSTRIP requisitioning is based upon the use of the coded, single-line, item document, DD Form 1348. MILSTRIP relies upon automatic data processing equipment and coded data for processing requisitions. Therefore, the requisitioner must take extreme care in selecting and assigning coded data elements.

MILSTRIP documents consist of requisitions, follow-ups, and cancellations. There are two different methods for submitting ammunition MILSTRIP documents into the ammunition supply system. The choice and method are determined by the following criteria:

1. Submission by the Defense Automatic Addressing System (DAAS). Submission of MILSTRIP documents by the DAAS is the preferred method for submitting MILSTRIP documents, unless they are specifically excluded.
2. Submission by naval message. A naval message is used only for those MILSTRIP

documents specifically excluded from submission by DAAS.

## Requisition System Document (DD Form 1348)

Preparation of a DD Form 1348 requisition system document is described in detail in the following paragraphs. Refer to the sample DD Form 1348, shown in figure 17-2, as you read this section.

**NOTE:** A complete list of MILSTRIP codes are contained in NAVSUP Publication 437 or NAVSUP Publication 485. However, you can quickly locate commonly used codes and definitions by referring to the *MILSTRIP/MILSTRAP Desk Guide*, NAVSUP Publication 409.

**DATA BLOCK A (SEND TO:).** Enter the Service Designator code, Unit Identification Code (UIC), and the name of the activity to which the requisition is submitted. Identification of the supply source is a mandatory entry. In this case, the service designator is, indicated by the letter N and the UIC are indicated by the number 00109. This UIC identifies Naval Weapons Station, Yorktown, Virginia, as the supply source.

**DATA BLOCK B (REQUISITION IS FROM:).** Enter the Service Designator code, UIC, and name of the requisitioning activity.

**DATA BLOCK C.** You may enter the noun name of the item requested in this block. This is an optional entry, and completion of block C depends upon local policy.

DD FORM 1348 (6-PT) 1 MAR 74	DOC. IDENT. 1 2 3 4 5 6 7 8 9 10 11 12 13 14 15 16 17 18 19 20 21 22 23 24 25 26 27 28 29 30 31 32 33 34 35 36 37 38 39 40 41 42 43 44 45 46 47 48 49 50 51	ROUT. IDENT. 1 2 3 4 5 6 7 8 9 10 11 12 13 14 15 16 17 18 19 20 21 22 23 24 25 26 27 28 29 30 31 32 33 34 35 36 37 38 39 40 41 42 43 44 45 46 47 48 49 50 51	FSC 1 2 3 4 5 6 7 8 9 10 11 12 13 14 15 16 17 18 19 20 21 22 23 24 25 26 27 28 29 30 31 32 33 34 35 36 37 38 39 40 41 42 43 44 45 46 47 48 49 50 51	NIN 1 2 3 4 5 6 7 8 9 10 11 12 13 14 15 16 17 18 19 20 21 22 23 24 25 26 27 28 29 30 31 32 33 34 35 36 37 38 39 40 41 42 43 44 45 46 47 48 49 50 51	ADD 1 2 3 4 5 6 7 8 9 10 11 12 13 14 15 16 17 18 19 20 21 22 23 24 25 26 27 28 29 30 31 32 33 34 35 36 37 38 39 40 41 42 43 44 45 46 47 48 49 50 51	QUANTITY 1 2 3 4 5 6 7 8 9 10 11 12 13 14 15 16 17 18 19 20 21 22 23 24 25 26 27 28 29 30 31 32 33 34 35 36 37 38 39 40 41 42 43 44 45 46 47 48 49 50 51	REQUISITIONER 1 2 3 4 5 6 7 8 9 10 11 12 13 14 15 16 17 18 19 20 21 22 23 24 25 26 27 28 29 30 31 32 33 34 35 36 37 38 39 40 41 42 43 44 45 46 47 48 49 50 51	DATE 1 2 3 4 5 6 7 8 9 10 11 12 13 14 15 16 17 18 19 20 21 22 23 24 25 26 27 28 29 30 31 32 33 34 35 36 37 38 39 40 41 42 43 44 45 46 47 48 49 50 51	SERIAL 1 2 3 4 5 6 7 8 9 10 11 12 13 14 15 16 17 18 19 20 21 22 23 24 25 26 27 28 29 30 31 32 33 34 35 36 37 38 39 40 41 42 43 44 45 46 47 48 49 50 51	SUPPLEMENTARY ADDRESS 1 2 3 4 5 6 7 8 9 10 11 12 13 14 15 16 17 18 19 20 21 22 23 24 25 26 27 28 29 30 31 32 33 34 35 36 37 38 39 40 41 42 43 44 45 46 47 48 49 50 51	FUND 1 2 3 4 5 6 7 8 9 10 11 12 13 14 15 16 17 18 19 20 21 22 23 24 25 26 27 28 29 30 31 32 33 34 35 36 37 38 39 40 41 42 43 44 45 46 47 48 49 50 51	DISTRIBUTION 1 2 3 4 5 6 7 8 9 10 11 12 13 14 15 16 17 18 19 20 21 22 23 24 25 26 27 28 29 30 31 32 33 34 35 36 37 38 39 40 41 42 43 44 45 46 47 48 49 50 51	PROJECT 1 2 3 4 5 6 7 8 9 10 11 12 13 14 15 16 17 18 19 20 21 22 23 24 25 26 27 28 29 30 31 32 33 34 35 36 37 38 39 40 41 42 43 44 45 46 47 48 49 50 51	PRIORITY 1 2 3 4 5 6 7 8 9 10 11 12 13 14 15 16 17 18 19 20 21 22 23 24 25 26 27 28 29 30 31 32 33 34 35 36 37 38 39 40 41 42 43 44 45 46 47 48 49 50 51	REQ. BY 1 2 3 4 5 6 7 8 9 10 11 12 13 14 15 16 17 18 19 20 21 22 23 24 25 26 27 28 29 30 31 32 33 34 35 36 37 38 39 40 41 42 43 44 45 46 47 48 49 50 51	REQ. DATE 1 2 3 4 5 6 7 8 9 10 11 12 13 14 15 16 17 18 19 20 21 22 23 24 25 26 27 28 29 30 31 32 33 34 35 36 37 38 39 40 41 42 43 44 45 46 47 48 49 50 51	ADV. STAT 1 2 3 4 5 6 7 8 9 10 11 12 13 14 15 16 17 18 19 20 21 22 23 24 25 26 27 28 29 30 31 32 33 34 35 36 37 38 39 40 41 42 43 44 45 46 47 48 49 50 51												
SEND TO:	NO0109 WPNSTA YORKTOWN VA Copy to CINCLANTFLT (J421)	REQUISITION IS FROM:	V08943 UDT TWO ONE	A	B	C	D	E	F	G	H	I	J	K	L	M	N	O	P	Q	R	S	T	U	V	W	X	Y	Z
GRANADE GREEN SMOKE	A O D	P 7 2	L	1 3 3 0	G 9 4 0	E A	O 0 1 6	REMARKS	V 0 8 9 4 3 8 1 8 0 0 1 R N 6 1 4 1 6 J	FUND 1 2 3 4 5 6 7 8 9 10 11 12 13 14 15 16 17 18 19 20 21 22 23 24 25 26 27 28 29 30 31 32 33 34 35 36 37 38 39 40 41 42 43 44 45 46 47 48 49 50 51	DISTRIBUTION 1 2 3 4 5 6 7 8 9 10 11 12 13 14 15 16 17 18 19 20 21 22 23 24 25 26 27 28 29 30 31 32 33 34 35 36 37 38 39 40 41 42 43 44 45 46 47 48 49 50 51	DOC. IDENT. 1 2 3 4 5 6 7 8 9 10 11 12 13 14 15 16 17 18 19 20 21 22 23 24 25 26 27 28 29 30 31 32 33 34 35 36 37 38 39 40 41 42 43 44 45 46 47 48 49 50 51	PRIORITY 1 2 3 4 5 6 7 8 9 10 11 12 13 14 15 16 17 18 19 20 21 22 23 24 25 26 27 28 29 30 31 32 33 34 35 36 37 38 39 40 41 42 43 44 45 46 47 48 49 50 51	REQ. DEL. DATE 1 2 3 4 5 6 7 8 9 10 11 12 13 14 15 16 17 18 19 20 21 22 23 24 25 26 27 28 29 30 31 32 33 34 35 36 37 38 39 40 41 42 43 44 45 46 47 48 49 50 51	STATUS DATA 1 2 3 4 5 6 7 8 9 10 11 12 13 14 15 16 17 18 19 20 21 22 23 24 25 26 27 28 29 30 31 32 33 34 35 36 37 38 39 40 41 42 43 44 45 46 47 48 49 50 51	ADVISE 1 2 3 4 5 6 7 8 9 10 11 12 13 14 15 16 17 18 19 20 21 22 23 24 25 26 27 28 29 30 31 32 33 34 35 36 37 38 39 40 41 42 43 44 45 46 47 48 49 50 51	R--TO 1 2 3 4 5 6 7 8 9 10 11 12 13 14 15 16 17 18 19 20 21 22 23 24 25 26 27 28 29 30 31 32 33 34 35 36 37 38 39 40 41 42 43 44 45 46 47 48 49 50 51	17NP0426											

Figure 17-2.—DD Form 1348.

DATA BLOCKS D, E, and F. Leave these blocks blank.

CARD COLUMNS 1 THROUGH 3 (DOCUMENT IDENTIFIER). The Document Identifier code is a mandatory entry. It identifies the purpose of the document (requisition, follow-up, modifier, or cancellation). Supply actions, such as follow-ups, modifiers, and cancellations are discussed later in this chapter. To requisition, enter the applicable document identifier as follows:

1. For material for delivery within the Continental United States (CONUS) or from an overseas activity to a Navy activity in the same geographic location, use one of the following document identifiers:
  - a. AOA when requisitioning with an NSN
  - b. AOD when requisitioning with a DODAC
  - c. AOE when the requisition contains data in the remarks block
2. For material to be delivered from CONUS to an overseas site, use one of the following document identifiers:
  - a. A01 when requisitioning with an NSN
  - b. A04 when requisitioning with a DODAC
  - c. A05 when the requisition contains data in the remarks block

Thus, the document identifier AOD informs you that using the item DODAC is requisitioning the item. It also informs you that both the supply source and the requisitioner are in CONUS; or, that both the supply

source and requisitioner are in the same geographic location overseas.

CARD COLUMNS 4 THROUGH 6 (ROUTING IDENTIFIER). The routing identifier identifies the activity that is to receive the requisition. The routing identifier is a mandatory entry. In this case, the routing identifier P72 identifies Naval Weapons Station, Yorktown, Virginia, as the activity that is to receive the requisition.

CARD COLUMN 7 (MEDIA AND STATUS CODE). The Media and Status (M&S) code is a mandatory entry. It is used to indicate the type of MILSTRIP status required who is to receive the status, and by what communications media the status is to be furnished. The following three status types are available:

1. Exception status. This status provides information relative to any action taken by the supply source, other than issuing of the material requisitioned. For example, the requisition is rejected, or the requisition is referred to another activity for action.
2. 100 percent supply status. This status provides information relative to any action taken by the supply source, except shipping data.
3. Shipping status. This status provides positive advice concerning shipping. This includes date of shipment, mode, bill of lading, or airway bill.

Table 17-1 lists applicable M&S codes. Ships or squadrons within 60 days of deployment and deployed units use M&S code for all ammunition requisitions

**Table 17-1.—Media and Status (M&S) Codes**

M & S CODE	MEANING
3	Exception status to requisitioner by mail.
6	Exception status to requisitioner by message.
C (Note 1)	100% supply status to requisitioner by mail.
F (Note 1)	100% supply status to requisitioner by message.
L	Exception supply status plus shipment status to requisitioner by mail.
R	Exception supply status plus shipment status to requisitioner by message.
T (Note 1)	100% supply status plus shipment status to requisitioner by mail.
W (Note 1)	100% supply status plus shipment status to requisitioner by message.
Note 1: Authorized for use only with priority 01 through 08 requisitions.	

with priorities 1 through 8. Other afloat units and deployed units with requisition priorities 9 through 15 use one of the other M&S codes listed in table 17-1. As appropriate, shore activities may use any of the media and status codes listed in NAVSUP P-437. A copy of all status requested by requisitioners is automatically provided by the supply source to CINCLANTFLT, as well as the UIC in the supplementary address.

**CARD COLUMNS 8 THROUGH 22 (STOCK NUMBER).** These card columns are used to enter the DODAC (four-digit FSC plus the four-digit NALC) or NSN of the item being requisitioned. Either one or the other must be used. Make the entry beginning at the left, and leave any unfilled spaces blank. DODACs and NSNs are listed in the *Navy Ammunition Logistic Codes*, NAVAIR 11-1-116B/TW010-AA-ORD-030, and *Stock List of Navy Ammunition*, NAVAIR 11-1-116A/TW010-AA-ORD-010.

**CARD COLUMNS 23 and 24 (UNIT OF ISSUE).** Enter the appropriate two-digit abbreviation for the unit of issue of the requested item. Unit of issue abbreviations are found in NAVAIR 11-1-116B/TW010-AA-ORD-030.

**CARD COLUMNS 25 THROUGH 29 (QUANTITY).** Enter the quantity required. Enter zeros in the unused columns that precede the quantity required.

**CARD COLUMNS 30 THROUGH 43 (DOCUMENT NUMBER).** The document number is a 14-digit non-duplicative number constructed to identify the service, requisitioner, Julian date, and serial number.

1. Card column 30 (service code). Enter one of the following service codes:
  - V — Atlantic fleet operating units
  - N — Navy activities other than fleet operating units, including pre-commissioned ships
  - M — Marine Corps activities
  - Z — Coast Guard activities

2. Card columns 31 through 35 (requisitioner). Enter the five-digit UIC of the requisitioning activity.
3. Card columns 36 through 39 (date). Enter the four digits that represent the Julian date on which the requisition is transmitted to the supply source. The Julian date consists of two elements—the last digit of the calendar year and the numeric consecutive day of the calendar year. For example, 8181 represents 30 June 1988. The numeric consecutive days of the year can be found on government-issue calendar pads.
4. Card columns 40 through 43 (serial). Enter a four-position serial number. Automated ships should use 5000 (series) serial numbers; non-automated ships should use 8000 (series) serial numbers. Never duplicate the same serial number on the same Julian date.

**CARD COLUMN 44 (DEMAND).** The demand code shows whether the demand is recurring or nonrecurring. Use demand code R (recurring) when the item requisitioned is for shipfill, mission load, cargo load, or ABSLA allowance. Use N (nonrecurring) when the item requisitioned is clearly a onetime request.

**CARD COLUMNS 45 THROUGH 50 (SUPPLEMENTARY ADDRESS).** The supplementary address field is a mandatory entry and a multi use field. Fleet units use this field to indicate where the requisitioned material is to be received and loaded by entering the service code and UIC of the loading activity. Shore activities use this block for local information (such as storage location) by first entering the letter Y in block 14.

**CARD COLUMN 51 (SIGNAL).** The signal code identifies the activity to which the material is shipped and/or billed. Table 17-2 provides a list of signal codes and they're meaning. Enter the appropriate signal code.

**Table 17-2.—Signal Codes**

SIGNAL CODE	MEANING
A	Ship and bill to requisitioner "For use by shore facilities only" (block 10)
B	Ship to requisitioner (Block 10) and bill to supplementary address (Block 15)
J (See note)	Ship to supplementary address (Block 15) and bill to requisitioner (Block 10)
K	Ship and bill to supplementary address (Block 15)
Note: Use Signal codes J when the supplementary address is used to indicate the loadout activity.	

**Table 17-3.—Cognizance Symbols**

COG	MATERIAL
OT	Expendable Marine Corps ground ordnance
2E	Conventional air ordnance
2T	Conventional surface ordnance
4T	Torpedoes/ASROC and components
6T	Underwater mines and components
8E	Air-launch missile material
8S	SUBROC and components
8T	Surface-launch missile material

CARD COLUMNS 52 THROUGH 53 (FUND). The Fund code is a two-character code that cites accounting data on Navy requisitions. Fleet units should enter Fund code Y6 and shore activities should enter Fund code 26.

CARD COLUMNS 54 THROUGH 56 (DISTRIBUTION). Distribution field entries serve a

dual purpose and are mandatory entries. The first position indicates the monitoring activity, and the other two positions indicate the cognizance symbol of the material being ordered. CINCLANTFLT is the monitoring activity for all ammunition requisitions. Fleet units enter code R and shore activities enter code 8 in card column 54. With this code, CINCLANTFLT receives 100-percent supply and shipment status on the requisition. In card columns 55 and 56, enter the applicable cognizance symbol of the material being ordered. Table 17-3 lists the material and COG symbols.

CARD COLUMNS 57 THROUGH 59 (PROJECT). The Project code is a mandatory entry for identifying the purpose of the requisitioned item. There are several Project codes for requisitioning ammunition. They are all within the 800 series. A few of the more frequently used 800-series Project codes are listed in table 17-4.

CARD COLUMNS 60 and 61 (PRIORITY). The priority designator is a mandatory entry. It expresses the relationship between the requisitioners assigned

**Table 17-4.—Project Codes**

APPLICABLE ALLOWANCE	PURPOSE	PROJECT CODE
Shipfill	Ammunition requisitioned for replacement of service ammunition.	835
Training	Ammunition requisitioned for a turn-in for annual training or fleet exercise.	876
Shipfill	Ship deployment: Ammunition requisitioned for ship deployment.	877
Shipfill	Emergency download of ammunition due to ship CASREP and subsequent onload following restoration of CASREP.	879
Mission	ANORS: Requisition of expendable ordnance such as CADS without which aircraft becomes not operationally ready.	821
Mission	Ships Overhaul: Download (turn-in) of ammunition prior to entering yard for overhaul and onload (requisitioning) of such ammunition upon leaving overhaul yard.	891
Mission	CV Post-Deployment Download: The off-load (turn-in) of CV mission load ammunition when off-loaded at a pier or anchorage.	897
Mission	CV Post-Deployment Download by AE: The off-load (turn-in) of CV mission load ammunition when back loaded to MLSF ships.	898
Mission	Ships Restricted Availability (SRA): Ammunition off-load (turn-in) required by entering a restricted availability period and the subsequent onload (requisitioning) of ammunition upon completion of restricted availability.	892

**Table 17-5.—UND Equated to Priority Designators**

<b>URGENCY OF NEED DESIGNATOR</b>	<b>PRIORITY DESIGNATOR</b>				
A (UNABLE TO PERFORM)	01	02	03	07	08
B (PERFORMANCE IMPAIRED)	04	05	06	09	10
C (ROUTINE)	11	12	13	14	15

force/activity designator (F/AD) and the selected urgency of need designator (UND). F/AD assignment and the UND criteria are defined in OPNAVINST 4614.1 (series) and NAVSUP P-485. The UNDs applicable to the priority requirements are listed in table 17-5.

CARD COLUMNS 62 THROUGH 64 (REQUIRED DELIVERY DATE). The required delivery date (RDD) is a mandatory entry. Enter the specific three-digit Julian date that the material is required by the requisitioner.

CARD COLUMNS 65 AND 66 (ADVICE). An Advice code is an optional code. It provides the supply source with special instructions applicable to the requisitioned item. When these card columns are not used, they should be left blank. The optional Advice codes are listed in table 17-6.

DATA BLOCKS L THROUGH V (REMARKS). Normally, requisitions should not contain remarks. Enter remarks only when absolutely necessary to identify acceptable substitutes, clarify delivery, or to indicate the planned firing month of training missiles. Avoid including superfluous data that can be coded within the MILSTRIP format. For example, by placing the UIC of the activity where the material is to be delivered in the supplementary address, by using Signal code J, and by providing an RDD, the requisitioner can encode where and when delivery should be made and

eliminate any remarks. If remarks are used, you should ensure that a document identifier of AOE or AO5 is used.

**Message Requisitioning by DAAS**

Ammunition MILSTRIP requisitions are prepared by fleet units in a specially coded standard format and transmitted by message directly to DAAS, Dayton, Ohio. DAAS redirects each requisition on the message to the activity indicated by the routing identifier. DAAS redirects the message by way of the automatic digital network (AUTODIN) system. The activity receiving the message takes the necessary action to fill or refer the requisition, as appropriate. Referrals and retransmittals are done by AUTODIN. The AUTODIN system provides the addresses with a punched card for each document in the originator's message. This process alleviates the need for message handling or keypunching by the addressee.

Unclassified MILSTRIP requisitions without remarks are the only ammunition requisitions that qualify for DAAS transmission. As mentioned earlier, remarks can normally be avoided by careful coding of the requisition. When necessary, remarks can be transmitted in a separate (non-DAAS) message. The following types of requisitions are NOT submitted by DAAS:

**Table 17-6.—Advice Codes**

<b>ADVICE CODES</b>	<b>MEANING</b>
2B	Requested item only will suffice. Do not substitute or interchange.
2D	Furnish exact quantity requested. Do not adjust to unit pack quantity.
2T	Deliver to the ultimate consignee by the RDD or cancel requirement.
5C	Do not centrally back order or procure. Substitute acceptable. Reflect unfilled quantity not available for delivery. Fill or kill at inventory control point level.



COLUMN	ENTRY
1-3	Document Identifier: Enter A0A or A01 when requisitioning with an NSN. Enter A0D or A04 when requisitioning with a DODAC or an NALC.
4-6	Routing Identifier: Enter the routing identifier of the activity that is to receive the requisition for action. Routing identifiers are contained in the appropriate CINCLANTFLT or CINCPACFLT instruction. In this case, P72 identifies WPNSTA YORKTOWN VA as the activity to receive the requisition for action.
7	Media and Status Code: Enter 3, 6, C, F, L, R, T, or W, as appropriate.
8-22	You should enter the DODAC/NALC of the item being requisitioned in columns 8-15 and leave columns 16-22 blank (do NOT write BLANK in columns 16-22). When using an NSN, you should enter the 13-digit NSN in columns 8-20 and leave columns 21-22 blank.
23-24	Unit of Issue: Enter the appropriate two-digit abbreviation for the unit of issue.
25-29	Quantity Requisitioned: Enter the quantity required. Enter zeroes in the unused columns that precede the quantity required.
30-43	Requisitioned Document Number: Enter the requisition document number. This consists of the service code and the UIC of the activity where the requisitioned material is to be delivered or loaded.
44	Demand Code: Enter R for recurring demands; N for nonrecurring demands.
45-50	Supplementary Address: Enter the Service code and UIC of the activity where the requisitioned material is to be delivered or loaded.
51	Signal Code: Enter Signal code J.
52-53	Fund Code: Enter Fund code Y6 for fleet units; enter code 26 for shore activities.
54	Distribution Code: Fleet units enter Distribution code R. Shore activities enter Distribution code 8.
55-56	Cognizance Symbol: Enter the cognizance symbol of the item being requisitioned.
57-59	Project Code: Enter the appropriate Project code.
60-61	Priority: Enter the appropriate Priority code.
62-64	Required Delivery Date: Enter the three-digit Julian date on which the material is to be delivered or loaded.
65-66	Advice Code: The Advice code is an optional entry. Leave columns 65 and 66 blank when an entry is not needed.

Do NOT include paragraph numbers, slants between date elements, BLNK for blank data elements, remarks at the end of a line, or remarks at the bottom of a message.

MILSTRIP documents with different document identifiers, routing identifiers, or cognizance symbols may be included in the same message. DAAS will reroute each line item to the proper addressee.

**REJECTED DOCUMENTS.**—To preclude transmission of erroneous data, DAAS validates the following data fields in MILSTRIP documents:

1. Document Identifier code
2. Routing Identifier code
3. Quantity
4. Requisitioner

5. Supplementary address

6. Signal code

Omissions or invalid MILSTRIP codes in any of these fields cause DAAS to reject the document. DAAS sends a message back to the originator with a statement outlining the reason for rejection. Rejections are minimized by careful drafting and proof reading by personnel at the originating activity.

**PROCESSING.**—Requisitions coded in the above format and submitted to DAAS are automatically readdress to the activity in the routing identifier. When the requisition cannot be filled by that activity, it is passed to the inventory manager for action to fill it. Supply status is provided to the requisitioner, the supplementary address and to CINCLANTFLT according to the M&S code used. All status messages should come directly from the processing activity or from DAAS. These status messages should contain a subject line indicating that it concerns ammunition requisition status.

### **Exception Requisitioning by Naval Message**

Requisitions that are excluded from submission by DAAS (mentioned earlier) are the only ones that can be submitted by naval message. The requisition should be submitted by using the Joint Message form. The message should be sent for action to the supply source indicated in the routing identifier of the MILSTRIP. The message must be sent for information to CINCLANTFLT and the activity that the material is to be delivered.

A MILSTRIP requisition sent by naval message is normally unclassified. Since none of the MILSTRIP data elements contain classified information, the classifying of ammunition requisitions is unnecessary. If classified remarks are necessary, they must be provided by a separate message.

### **REQUISITIONING BY FLEET UNITS**

The units mission assignment and geographical location determine the requisitioning procedures followed by fleet units. Fleet units are composed of cargo ships (AE/AOE/AOJ/AS), mission load ships (CV/CVN/LPH/AD/AS), and aircraft squadrons. Since the majority of Aviation Ordnancemen are assigned to aircraft carriers or aircraft squadrons, the discussion that follows concerning requisitioning procedures for fleet units are limited to these two units.

### **Stock Levels**

Ships are required to maintain 100 percent of their shipfill ammunition allowance on board or on order. One exception is that stock levels can be reduced to 90 percent to permit expenditures for training, or to carry exercise ammunition. Individual waivers of this requirement must be requested from the ship's operational commander.

### **Requisitioning Channels**

The requisitioning channels for use by fleet activities are determined by the locality of the unit. Ships and units located in CONUS or CONUS operating areas should submit requisitions to DAAS. Requisitions for the following materials must be in the format previously discussed and submitted as follows:

- Requisitions for 2E COG cartridge-actuated devices should be submitted to Naval Ammunition Logistics Center, Mechanicsburg, Pennsylvania.
- Requisitions for 2E COG bombs and rockets should be submitted to the naval weapons station closest to the unit's homeport or to the weapons station designated for the loadout.
- Requisitions for 2T COG material should be submitted to the naval weapons station closest to the unit's homeport or to the weapons station designated for the loadout.
- Requisitions for 4T COG torpedo components and ASROC components should be submitted to Naval Ammunition Logistics Center, Mechanicsburg, Pennsylvania.
- Requisitions for 6T COG material that should be submitted to the Mine Warfare Engineering Activity (MINEWARENGACT), Yorktown, Virginia.
- Requisitions for the following material must be requisitioned by naval message in the format previously discussed and submitted as follows:
  - Requisitions for 2E COG aircrews escape propulsion system (AEPS) devices should be submitted to Naval Ammunition Logistics Center, Mechanicsburg, Pennsylvania.
  - Requisitions for all 8E COG air-launch missiles, Harpoon missiles, Seasparrow missiles, and 8T COG surface-launch missiles and complete-



round torpedoes require special requisitioning procedures, which are discussed later in this chapter.

When ships or units are deployed in the Atlantic Fleet or the Pacific Fleet, ammunition requisitions are submitted by naval message to the appropriate type commander or the applicable inventory manager. Instructions are available within each command to provide you with guidelines for properly submitting ammunition requisitions.

### **Requisition Lead Time**

A maximum and minimum lead-time has been established to provide sufficient time for submission and processing of ammunition requisitions. Lead-time allows for adequate processing time of requisitions so that mission requirement can be met on schedule. In addition, materials are not reserved too far in advance of requirements.

**ROUTINE REQUISITIONS.**—A maximum of 60 days and a minimum of 25 days should be allowed for routine requisitions incident to allowance replenishment, scheduled training, or deployment loadout.

**CADs AND AEPS DEVICES.**—All requisitions for CADs and AEPS devices should have a 90-day lead time.

**CV/CVN COMPLETE DEPLOYMENT LOADOUT.**—Because of the large quantity of ordnance involved, complete loadout requisitions for aircraft carriers must allow a maximum of 60 days and a minimum of 45 days lead time. When the ship is to be loaded pier-side, requisitions should be submitted by using a DODAC in card columns 8 through 15 of DD Form 1348. When an aircraft carrier is scheduled to receive a deployment loadout by an ammunition cargo ship, the following actions should be taken:

- Personnel aboard the assigned AE/AOE cargo ship send a message to personnel aboard the aircraft carrier advising them of the serviceable assets available in the cargo ship 65 to 55 days in advance of the cargo ship's scheduled on-load date.
- The personnel aboard the aircraft carrier submit MILSTRIP requisitions by message for all items and quantities required but not available in the

assigned cargo ship 55 to 45 days in advance of the cargo ship's scheduled on-load date. Information copies of MILSTRIP requisitions are provided to personnel aboard the cargo ship. The supplementary address of the requisitions is the UIC of the loading activity. The RDD is the date that the loadout of the cargo ship commences. The remarks section of the requisitions contain DLVR (deliver) TO USS (the name of the cargo ship) FFT (for further transfer) USS (CV/CVN to receive the material).

At the same time the requisitions are submitted, the CV/CVN advises the cargo ship of the items and quantities required from the serviceable assets available in the cargo ship. The cargo ship then reserves these assets for the CV/CVN.

### **Requisitioning Procedures for Aircraft Squadrons**

Aircraft squadrons ashore in CONUS submit requirements for all items to the supporting air station where the material will be loaded or expended. For example, a VF squadron located at NAS Oceana, Virginia that needs ordnance for local training should submit its requirements to the weapons department at NAS Oceana, Virginia. An aircraft squadron ashore outside CONUS submits all requirements to their supporting air station.

Aircraft squadrons or squadron detachments afloat submit requirements to the ship's weapons department according to current ship's instructions. Aircraft squadron support activities should first attempt to satisfy the squadron's requirements from on-hand assets (items already in stock). For those requirements that cannot be satisfied from on-hand assets, the support activity will requisition the requirement. Requisitions must contain the UIC of the support activity in the MILSTRIP document number. The supplementary address must contain the UIC of the user squadron and the Signal code B. Ordnance should **not** be ordered by using the squadron's UIC as the requisitioner.

Aircraft squadrons and squadron detachments should submit requirements well in advance. The squadron should also keep the ship or support facility weapons department fully informed of their requirements. This will permit timely requisitioning to prevent shortfalls and minimize expensive problems that arise from emergency requisitions.

## **Requisitioning by United States Shore Activities outside CONUS**

United State shore activities outside the continental United States must maintain 100 percent of the routine fleet support requirement of their approved basic stock level of ammunition (ABSLA) either on hand or on order. When advised in advance of specific fleet requirements, additional stock should be requisitioned to meet the demand.

Normally, stock that satisfies the prepositioned war reserve material requirements, as shown in the ABSLA, are pushed to shore activities outside CONUS as assets when transportation becomes available. However, shore activities are responsible for maintaining complete round assets. Replacements should be requisitioned by the shore activity when components become unserviceable, issued, or expended.

All requisitions should be prepared in the format previously discussed in this chapter and submitted to the applicable inventory manager. An information copy must be provided to CINCLANTFLT and Naval Ammunition Logistics Center.

## **Special Requisitioning Procedures for Missiles and Torpedoes**

Special requisitioning procedures are part of an intensified management program to control critical assets and improve fleet readiness. Therefore, all air-launch missiles (including 8E COG material), such as the Seasparrow and Harpoon, must be submitted to the inventory manager and Naval Ammunition Logistics Center Mechanicsburg, Pennsylvania.

Requisitions must be submitted by naval message not earlier than 90 days but not less than 60 days before the RDD. The Seasparrow and Harpoon, when used as point-defense missiles are classified as surface-launch missiles. They are managed by COMNAVAIR-SYSCOM and **not** by COMNAVSEASYSYSCOM.

Requisitions for lightweight torpedoes must be prepared in message or DAAS MILSTRIP format. **Do NOT use DD Form 1348, and do not submit requirements by mail.**

There is a 90-day maximum and 45-day minimum requirement lead time when requisitioning torpedoes for complete load outs and deployments. As a general rule, torpedoes are requisitioned in a torpedo-tube configuration, and air-launched accessories are requisitioned as individual items.

Warshot torpedo requisitions from afloat units are submitted directly to Naval Ammunition Logistics Center with information copies to CINCLANTFLT, the immediate operational commander, and the activity where the torpedoes are to be loaded (supplementary address).

## **Requisitioning Procedures for Mine Exercise Training Material and Associated Services**

A message request for mine exercise training (MET) material must be submitted to the appropriate mine assembly activity with the respective type commander as an information addressee. The respective type commander must approve the material request before the appropriate MOMAG unit can release the material. Type commander approval must be received by the mine assembly activity at least 30 working days before the RDD. CINCLANTFLT; Commanding Officer, Mine War Command (COMINEWARCOM); Commanding Officer, Mobile Mine Assembly Group (COMOMAG); and the appropriate chain of command must be included as information addresses on all mine requests.

## **REQUISITION FILE MAINTENANCE**

Thus far, you have learned about the procedures for requisitioning ammunition. However, you cannot merely submit requisitions and then sit back and expect all materials to be in place for loadout. Careful monitoring of actions taken on requisitions by the ammunition supply system and judicious expediting action is necessary to ensure the best possible loadout. The following paragraphs discuss actions required of the requisitioner to ensure that requisitions are processed expeditiously and are not lost.

### **Requisition Processing**

Although there are many variations for specific items, requisitions normally follow a particular path. For example, a person aboard a ship submits requisitions to an ammunition stock point, such as a weapons station. If the stock point has the material requisitioned, it is reserved for the ship and issued to meet the RDD. If the stock point does not have the material, the requisition is referred to the inventory manager. The inventory manager does one of the following four things:

1. Refers the requisition to another stock point that has the material available or due in the RDD.

2. Refers the requisition to the U.S. Army Armament Material Command (ARRCOM) for issue by the Army.
3. Rejects the requisition. The requisitioner is notified of the reason why it cannot be filled, and unless otherwise advised, the requisition is canceled.
4. Refers the requisition to CINCLANTFLT or the type commander for possible redistribution of assets within fleet units. As a final alternative, CINCLANTFLT will attempt to redistribute fleet assets to meet the requirement.

### **Requisition Status**

To keep units informed of action taken on their requisitions, MILSTRIP processing activities provide status follow-ups according to the Media and Status code selected in the requisition. Normally, status is provided to requisitioners by messages or punched and printed cards in MILSTRIP format.

MILSTRIP status documents contain a document identifier and a routing identifier. These identifiers denote the type of document and the sender of the status data. Supply status documents contain a Status code in card columns 65 and 66. For a current and complete description of MILSTRIP Status codes, refer to NAVSUP Publication 485.

Shipment status documents contain information regarding shipment. This includes date of shipment, mode of shipment, transportation control number, date available for shipment, and port of embarkation.

Requisitioners need not always accept the rejection/cancellation of a requisition as the final word. In some cases, requisitions are rejected/canceled because the RDD cannot be met. When a later RDD can be provided, the requisitioning unit should submit a MILSTRIP modifier with a request for reinstatement in the remark section. Occasionally, the quantity requisitioned is questioned by the processing activity. This may happen when the quantity requisitioned exceeds the allowance or is not on allowance. Questions of this nature should be evaluated promptly and a reply forwarded to the processing activity. When the requisition is justified, say so and why.

### **Expediting Requisitions**

Normally, ammunition requisitions are processed for delivery to the requisitioning activity by the

ammunition supply system without problems. However, requisitions do become lost or delayed. To minimize this situation, there are several methods that can be used to review and expedite requisitions. These methods include follow-up, priority increase, and special assistance.

Aggressive submission of a MILSTRIP follow-up on an outstanding requisition is the first and best method of ensuring the requisition is not lost. All requisitions have some type of status requirement. Stock points and inventory managers are responsible for providing this status, and requisitioners should expect it.

MILSTRIP follow-ups should be submitted to the last known Navy holder after 14 days have elapsed since submission of the requisition or the last follow-up. You should continue to do this until a status is received. A follow-up should also be submitted whenever notification of backorder status (Status codes BB, BC, BD, or BP) has been received and there is an indication that delivery will not meet the RDD. Follow-up every 14 days until more positive status or confirmation of the delay is received.

There are three types of follow-up; a specific document identifier distinguishes each one. When only the current status of a requisition is needed, you should use Document Identifier code AF1. A follow-up using a three-position document identifier in the code AT (series) is submitted when you are requesting the current status of a requisition. This follow-up serves as a replacement requisition when the supply source has no record of the previously submitted requisition. Activities located in CONUS should use Document Identifier code ATD and activities outside CONUS should use AT4. The AT (series) Document Identifier codes are used only when the requisitioner has not received status. An AFC Document Identifier code is used to improve the estimated shipping date (ESD) when an unsatisfactory ESD has been received from the supply source.

A second follow-up method is to personally contact the holder of the requisition. This method should be reserved for more serious problems. It should **NOT** be used in a routine manner because it usually involves an extraordinary amount of time and effort for all personnel concerned.

A third method of expediting requisitions is to raise the priority of the requisition. This can be done only when the F/AD is upgraded or when the urgency of the requirement increases (UND designator is raised).

Normally, ships and units not deployed are assigned F/AD III. However, F/AD II is assigned to ships and units 60 days before and during deployment. Accordingly, requisitions submitted more than 60 days in advance of deployment use priorities authorized for F/AD III. When deployment is less than 60 days away, requisitioners may raise the priority to one of those authorized for F/AD II. Usually, when the priority is raised, the requisition rates a different M&S code.

While the requisitioner has the principal responsibility to monitor, follow-up, and expedite requisitions, there may be instances where the requisitioner is unable to do this. In these instances, assistance can be requested from CINCLANTFLT (for fleet requisitions) or from Naval Ammunition Logistics Center (for requisitions of a shore activity outside CONUS).

### Requisition Changes

When the need arises to change some part of a requisition, there are certain procedures you should follow. These procedures are discussed in the following paragraphs.

**PRIORITY, MEDIA AND STATUS CODE, AND RDD CHANGES.**—MILSTRIP provides a procedure for changing the priority, Media and Status code, and/or RDD of a requisition when either the F/AD or UND is changed. To do this, a MILSTRIP modifier document is submitted as follows:

- For material to be delivered within CONUS. Use document identifier AMA when the requisition or the latest status contains an NSN. Use AMD when the requisition or latest status contains a DODAC. Use AME when the requisition or latest status contains either an NSN or a DODAC, and contains remarks.
- For material to be delivered outside CONUS. Use document identifier AM1 when the requisition or latest status contains an NSN. Use AM4 when the requisition or latest status contains a DODAC. Use AM5 when the requisition or latest status contains either an NSN or a DODAC, and contains remarks.
- Enter the new Media and Status code, priority and/or RDD. These are the only data elements of a requisition that can be modified by this procedure. Repeat all other MILSTRIP data as entered on the latest status document received or

on the original requisition when no status has been received.

- For a requisition held by a weapons station, air station, Naval Ammunition Logistics Center or NAVMINEGRFAC. Submit the MILSTRIP modifier by DAAS to the holder with an information copy to CINCLANTFLT.
- For a requisition held by ARRCOM or an Army ammunition activity. Submit a MILSTRIP modifier by DAAS to Naval Ammunition Logistics Center with an information copy to CINCLANTFLT. Use routing identifier NCB.
- For a requisition held by COMNAV-AIRSYSCOM or COMNAVSEASYSYSCOM. Submit a MILSTRIP modifier by naval message to the holder. Send an information copy to CINCLANTFLT, and use the subject line AMMO MILSTRIP MODIFIER.

**ITEM OR QUANTITY CHANGE.**—To change the item requisitioned, the requisitioner must **cancel** the old MILSTRIP requisition and **submit** a new MILSTRIP for the material desired. To increase the quantity requisitioned, the requisitioner must submit a new requisition for the additional quantity required. To decrease the quantity requisitioned, the requisitioner must submit a MILSTRIP cancellation request **only** for the quantity no longer required. By doing this, the uncanceled balance remains active and no lead-time is lost.

**REQUISITION CANCELLATION.**—A requisition can be canceled by the requisitioner, the supplementary addressee, or CINCLANTFLT (as monitoring activity) when the requirement for the material no longer exists. The requisition can also be canceled when the ship is scheduled to deploy before the material is to be received and shipment outside CONUS is not desired.

A MILSTRIP request for cancellation should be prepared by duplicating the latest status or, if no status has been received, the original requisition with the following exceptions:

- Use document identifier AC1.
- Use the routing identifier of the last known holder of the requisition.
- Enter the quantity to be canceled in the quantity field.

Ammunition supply activities that receive a requisition cancellation request are required by MILSTRIP to provide the requisitioner, supplementary addressee, and CINCLANTFLT with either a cancellation confirmation or shipment status (if the material has already been shipped) within 5 days after receipt of the AC1 document.

If confirmation of the cancellation or shipment status is not received within 10 days after submitting the cancellation request, you should take immediate follow-up action. The follow-up document must use document identifier AK1 and be prepared and submitted in the same format as the cancellation request.

Fleet units are required to cancel all outstanding requisitions upon departure for deployment. Shore activities review all outstanding requisitions annually and determine whether the material was received or is still required. Requisitions for material not received and no longer required are canceled. Requisitions must be resubmitted for materials that are still required.

## **AMMUNITION TURN-IN PROCEDURES**

Procedures for turn in of ammunition, ammunition details, and the procedures for temporary storage and custody ashore are discussed in this section. It is impractical to cover every procedure for every conceivable ammunition item. Therefore, the discussion is limited to the more routine procedures. Regardless of the particular type of ammunition or ammunition details you are turning in, NAVSEA OP 4 and NAVSEA OP 5, volume 1, requires that all inert components, details, and cartridge cases be inspected and certified that the containers are inert. It is extremely important that you strictly adhere to these regulations. It is imperative that all applicable personnel be thoroughly familiar with the procedures required for inspection, certification, and marking of empty or inert items.

### **Turn-in of Air-Launch Missile Material**

Ships must turn in air-launch missiles (ALMs) and ALM material (including wings and fins) before a regular overhaul. Upon return from deployment, CV/CVNs are normally directed to turn in or transfer all ALMs and ALM material to another ship or activity ashore. This does not include inert rounds used for training missile-handling crews.

Present ALM maintenance policy permits ships to retain all serviceable deep-stowed ALMs, including

ALMs on cargo load ships, until the maintenance due date (MDD) of the missile has been reached. Deep-stowed ALMs are missiles that have not been removed from their sealed shipping container. When a CV turns in missiles that have remained in deep-stowage and the MDD has not expired, the accompanying paperwork is normally marked ready for issue (RFI). When the shipping seals on the missile container are broken, or the missile is removed from the shipping container for any reason or the MDD has expired, the accompanying paperwork should be marked not ready for issue (non-RFI).

Serviceable assets from deep stowage that are turned in must be repackaged and tagged according to current directives. Unserviceable assets, including captive-flown missiles, missiles in ready-service stowage, and Seasparrow missiles carried on launchers must be segregated, packaged, and tagged according to current directives, and then routed to WPNSTA Yorktown, Virginia. Documentation is prepared on a DD Form 1348-1 according to the procedures discussed in the following paragraph.

### **Turn-in of Ammunition**

When it is necessary to turn in ammunition, two preliminary steps must be taken. First, when complete download is necessary, notify CINCLANTFLT, TYCOM, and weapons station or receiving ship by message of all the items to be off-loaded. In the message, identify all items by NALC, quantity, and the date of proposed download. Second, prepare a DOD Single-Line Item Release/Receipt Document, DD Form 1348-1, for each type of ammunition to be off-loaded.

### **Turn-In of Ammunition Details**

Ammunition details are devices designed to protect explosives and/or facilitate their handling. They include boxes, containers, pallets and accessories, protective caps, tanks, and brass and steel cartridge cases. Many of these items are expensive to procure. It is essential for ammunition users and support activities to cooperate by ensuring these ammunition details are returned for reuse.

Ships and shore activities outside CONUS that make ammunition expenditures must retain all serviceable or repairable details at the earliest opportunity. Ammunition details and cartridge cases that are unserviceable or unrepairable should be turned in to the nearest property disposal office as saleable scrap.

Each shipment of ammunition details must be accompanied by a DOD Single-Line Release/Receipt Document, DD Form 1348-1.

## **TEMPORARY STORAGE AND CUSTODY ASHORE**

Ships occasionally need to off-load ammunition for temporary storage and custody ashore. When this is necessary, the authority to off-load ammunition for temporary storage and custody ashore must be obtained from both the ship's type commander and from the activity where the material will be stored. The number of days of temporary storage must be stated, not to exceed a maximum of 45 days. If more than the maximum period is desired, an extension may be requested from the type commander.

For transaction reporting and inventory control purposes, ammunition in temporary custody ashore is considered aboard the ship and is carried on the ship's stock records. Therefore, personnel aboard ship do not submit an off-loading transaction report. Consequently, a receiving transaction report is not submitted when the ammunition is physically returned. In the recent past, confusion has resulted when personnel aboard ship forgot certain items were in temporary custody ashore. Personnel aboard ship must ensure stock record cards are carefully annotated to reflect items in temporary custody ashore.

The activity storing the material must keep all ammunition in temporary custody physically separate. This is necessary because the ammunition is not recorded on the activity's stock records as assets ashore. Rework or maintenance is not done on items temporarily stored ashore nor is unserviceable material replaced. The material is returned to the ship exactly as it was received for temporary custody ashore.

In summary, the primary advantage of temporary storage and custody ashore is that a ship retains its assets. Personnel aboard the ship do not have to reorder and run the risk of not getting everything ordered. The disadvantages are that items can be forgotten and subsequently lost, or items can become suspended/unserviceable and require last-minute replacement.

### **REVIEW NUMBER 1**

*Q1. Where is the Naval Ammunition Logistics Center located?*

*Q2. What classes of ships carry cargo load ammunition?*

*Q3. How are NARs numbered?*

*Q4. What is meant by the term "unserviceable ammunition"?*

*Q5. What is the purpose of requisition lead times?*

*Q6. Aircraft squadrons afloat submit their requisitions to what department?*

## **TRANSACTION REPORTING**

**LEARNING OBJECTIVE:** *Identify transaction reporting procedures and describe the various types of transaction reports, the procedures to be followed when preparing the ammunition master stock record card, and the ammunition lot/location card.*

Reports of ammunition transactions form the basis for maintenance of the CAIMS data file. This file, in turn, is the sole source of asset and expenditure information for ammunition logistics management. The high cost and limited availability of many munitions create a need at all command levels for continuous, intensive, and careful management of ammunition. This can only be done if the CAIMS data file is current and reliable. Therefore, it is very important for individual reports of ammunition transactions to be accurately prepared and forwarded in a timely manner. Ammunition reports are normally forwarded by routine message and NOT by speed letter or naval letter.

## **TRANSACTION REPORTING PROCEDURES**

The ammunition transaction report (ATR) is prepared in a message format and transmitted electrically. The message report consists of 7 paragraphs. Paragraphs 1 through 5 identify the number of transactions being reported, the serial number of the report, UIC of the reporting activity, the Action Class Code (ACC) of the reporting activity, and the date of the transaction respectively.

Paragraph 6 provides specific information on the type of transaction, type of material, quantity of material involved in the transactions, on-hand assets of the material, and other data pertinent to the transaction. This section may contain one or more lines. Each line corresponds to a single transaction involving one type of material. All reportable transactions should be

included in this paragraph, whether or not the items are included in paragraph 7 of the report.

Paragraph 7 is for remarks concerning weapon serial numbers and other explanatory data, as required.

### **Report Frequency**

Whenever an ammunition transaction occurs (transfer, receipt, expenditure, reclassification), an ATR should be submitted within 24 hours. Normally, reports are submitted daily at the end of the flying day. Occasionally, during certain tactical operations, the command restricts message transmissions to those that directly affect a particular operation. This restriction is called MINIMIZE. Transmission of ammunition transaction reports during MINIMIZE is authorized.

There are exceptions to submitting ammunition transactions within 24 hours. Ammunition unloaded or off-loaded by AE/AOE/AOR/AOJ/CV/CVN class ships in excess of 500 short tons is reportable within 2 days.

Ammunition received by a ship or shore activity for further transfer (FFT) to another ship or shore activity is not reportable, providing it is transferred to the ultimate consignee within 7 days. Ammunition received FFT and held for more than 7 days must be reported as being received. In the remarks paragraph indicate RCVD FM (issuing activity) FFT (consignee). When the subsequent issue is completed, an offsetting report of the issue must be made. Ammunition transferred to an activity FFT to another activity must be reported as an issue. In the remark paragraph show ISSUED TO (receiving activity) FFT (ultimate consignee).

### **Ammunition Transaction Report Format**

ROUTINE precedence is normally assigned to an ammunition transaction report. However, higher precedence can be assigned when authorized by proper authority. A transaction report is classified only when the data contained in paragraph 6 or 7 of the report is classified. Paragraphs 1 through 5 are always unclassified.

A report that contains data in paragraph 6 on complete-round missiles, rockets, or torpedoes is CONFIDENTIAL. These reports should be declassified 6 years after the date-time group of the ammunition transaction report. This should be typed on the ATR at the left-hand margin on the first line after the

last line of text as follows: DECL (enter day, month, and year for declassification).

When paragraph 6 contains data on mines or mine components, the ATR must be classified according to OPNAVINST S5513.7 (series). When data on complete onloads or off-loads is contained in paragraph 6, the ATR is CONFIDENTIAL and declassified (DECL) after 6 years.

ATRs are CONFIDENTIAL when paragraph 7 contains reports of expenditures of tactical missiles or remarks classified by other directives.

All ATRs should be submitted to Naval Ammunition Logistics Center Mechanicsburg, Pennsylvania, with an information copy to CINCLANTFLT. Reports submitted by deployed units must also include CINCUSNAVEUR and COMSERVFOR SIXTHFLT as information addressees. Reports that contain information relative to lightweight torpedoes must also include the activity's type commander as an information addressee. Reports that contain information relative to mine material must also include COMINWARCOM and COMOMAG as information addressees. Activities afloat that receive ammunition from or issue ammunition to another afloat activity must ensure the issuing/receiving activity is an information addressee on the ATR.

The subject line of the ATR is SUBJ: AMMO TRANS RPT CINCLANTFLT 8010.4. The remainder of the ATR should be completed in the following format.

Paragraph 1. Enter the number of NALCs included in paragraph 6 of the report. Spell out the numbers. For example, when you are reporting 47 items in paragraph 6, you should make the entry ITEMS: FOUR SEVEN.

Paragraph 2. Enter the sequential serial number of the report. Spell out the digits. Initial ATR serial numbers begin with the number 1 (for a newly commissioned command) and subsequent reports are numbered through 999. At this point, only the sequence will recommence with the number 1. You do NOT revert to serial number 1 at the beginning of a new calendar/fiscal year. All ATRs released from one activity, regardless of ammunition type or activity classification, are numbered in the same sequence. These serial numbers are used by Naval Ammunition Logistics Center to detect missing reports. For example, you should enter the serial number 897 as SER: EIGHT NINE SEVEN.

Paragraph 3. Enter the UIC. This entry is made by using the check-sum-digit method. For example, assume the UIC is 36725. You should enter this as UIC: 36725/3.

Paragraph 4. Enter the activity classification letter code. Spell out the letter code. For example, ALFA, BRAVO, DELTA. When the day's transactions involve more than one activity classification, you must report each activity classification on separate reports by using the same date but different serial numbers. Refer to table 17-7 for a list of activity Classification codes.

Paragraph 5. Enter the Julian date on which the transaction actually occurred, NOT the date the message is prepared. The Julian date is entered by using the check-sum-digit method. For example, if the

transaction occurred on March 20, 2000, the date would be entered as DATE: 00080/4.

Paragraph 6. The data entered in this paragraph must be arranged in columnar format. Each column is lettered from A through N, and a letter must head each column. However, when a column or a number of columns have a *zero* quantity, it need not be listed. The data to be reported in each column is as follows:

### REVIEW NUMBER 1 ANSWERS

- A1. *The Naval Ammunition Logistics Center is located in Mechanicsburg, Pennsylvania.*
- A2. *The classes of ships that carry cargo load ammunition are AOE, AO, AOR, and AE.*

Table 17-7.—Activity Classifications

<u>LETTER CODE</u>	<u>CLASSIFICATION</u>
ALFA	Combatant ships and submarines reporting shipfill ammunition transactions. Destroyer-type ships should report ordnance carried for assigned helicopter detachments under this activity classification.
BRAVO	Auxiliary ships reporting shipfill ammunition transactions for their own use.
DELTA	Ships and NAVSUBSUPPFAC New London reporting fleet issue ammunition (cargo load or mission load) transactions, including aircraft squadron expenditures.
ECHO	Aviation Support Activity. Any shore activity holding fleet issue ammunition in support of aviation units. Report all of the ammunition to be held at the activity as ECHO, except that all Marine Corps Class V assets are to be reported under activity classification JULIET.
FOXTROT	Ammunition Support Shore Activities. Any shore activity holding fleet issue ammunition for units other than aviation units. Report all ammunition held at the activity under activity classification FOXTROT, except that all Marine Corps Class V assets are to be reported under activity classification JULIET.
GOLF	Other overseas activities and organizational unit commands holding expendable ordnance items for local support, local defense, or to carry out their primary mission.
HOTEL	Ships holding Marine Corps Class V (A) (LFORM) assets.
JULIET	Shore activities holding Marine Corps Class V (A and W) assets.
KILO	All activities holding nonservice mine assets. Service mine assets will be reported under activity class FOXTROT.
LIMA	Ships holding ordnance on board in support of an Underwater Demolition Team (UDT), Sea-Air-Land (SEAL) Team, Explosive Ordnance Disposal (EOD) Team, Amphibious Construction Unit (ACU), Amphibious Construction Battalion (ACB), or Naval Mobile Construction Battalion (NMCB).
NANCY	Ships holding Marine Corps Class V (W) L Form assets.



- A3. *NARs are numbered consecutively within each calendar year.*
- A4. *The term "unserviceable ammunition" refers to ammunition that is not ready for use and cannot be made serviceable.*
- A5. *The purpose of requisition lead times is to allow for adequate processing time of requisitions so that mission requirement can be met on time.*
- A6. *Aircraft squadrons afloat submit their requisitions to the ship's weapons department.*

COLUMN A. Enter the NALC of the item for the transaction being reported. Column A is a mandatory entry. When more than one NALC is being reported, they should be listed alphabetically.

COLUMN B. Enter the quantity on hand as of the last report concerning the item. This quantity is obtained from the sum of column L and column M of the previous report.

COLUMN C. Enter the total number of units received from all sources. This includes receipts moved from one activity classification to another classification, ammunition held more than 7 days for FFT to another activity, and gains by inventory (GBI).

COLUMN D. Enter the total number of units transferred (issued) for custody to another activity, or intra-activity transfers from one activity classification to another. With the exception of lightweight torpedoes, this column does not concern issues to aircraft squadrons. Assets transferred to a non-Navy activity are reported in column K.

COLUMN E. Enter expenditures in support of combat operations or against a hostile target. This includes ammunition jettisoned by an aircraft for the purpose of landing during a combat mission.

COLUMN F. Enter expenditures for training. This includes combat readiness assessment exercises and operational readiness inspections.

COLUMN G. Enter expenditure of material for test and evaluation purposes.

COLUMN H. Enter expenditure of material for non-combat operational purposes (an activity's assigned mission), such as search and rescue, contact evaluation, firepower demonstrations, and humanitarian or lifesaving missions. Firings for which no training allowance is established, such as test primers, pyrotechnics, markers, offensive hand

grenades, and saluting charges, are also entered in column H.

COLUMN I. Enter expenditure of material because of destruction, jettison, or deepwater dump. This column should be used only to report actual disposal. It should **NOT** be used to report transfer of material for disposal. The latter should be reported as an issue.

COLUMN J. Enter expenditure of material because of loss by inventory (LBI). LBIs must be accompanied by amplifying remarks in paragraph 7 of the ATR.

COLUMN K. Enter expenditure of material because of transfer/issue to the Army, Air Force, Coast Guard, or foreign governments.

COLUMN L. Enter the quantity of serviceable on-hand assets.

COLUMN M. Enter the quantity of unserviceable/suspended on-hand material.

COLUMN N. Enter the MILSTRIP document number. Naval Ammunition Logistics Center maintains an in-transit file of all issues from CONUS shore activities to fleet units. To clear or offset this file, receiving activities must show the MILSTRIP document number for each receipt from CONUS shore activity, including CV/CVN load outs by an AE/AOE class ship.

You should take care to ensure entries under each report column in paragraph 6 are aligned. When the number of characters in a line exceeds the communications capacity, the columns should be split between columns K and L. This split will place columns L, M, and N on a different line of the report.

When it becomes necessary to correct the quantity on hand as of the last report (column B), appropriate entries are entered in the receipts, issues, or expenditure columns of the current ATR to mathematically balance and adjust the on-hand totals to the correct totals. To ensure all entries are understandable, you can provide narrative remarks in paragraph 7 of the ATR.

You must ensure components reported as combat or training expenditures correctly reflect complete rounds. For example, when your unit expended 100 Mk 82 bombs with mechanical nose fuzes and conical fins, you have to expend each individual component under its respective NALC. You would expend 100 Mk 82 bombs, 100 mechanical nose fuzes, 100 conical fins, and 100 arming wires.

You should ensure transaction reports are submitted when assets are shifted from serviceable to

unserviceable. After filling in the appropriate columns, ensure each line in the report is mathematically balanced. For example, columns B+C-D-E-F-G-H-I-J-K = L+M. All entries are in the check-sum-digit format.

Paragraph 7. Enter narrative remarks, as appropriate. All GBIs are identified in this paragraph as well as column C of paragraph 6. All LBIs are identified by an entry in column J of paragraph 6 and a detailed explanation (including the date-time group) of the missing, lost, stolen, recovered (MLSR) report that was submitted. When ammunition is missing, lost, stolen, or recovered, *Missing, Lost, Stolen Government Property, Reporting of*, SECNAVINST 5500.4 (series), requires that a report be submitted. Paragraph 7 is used to identify activities that issued and/or received the materials. When materials are reclassified, you should give the NALC of the item and authorization for the reclassification. This paragraph is also used for reporting items accounted for by serial number, lot number, or registration number.

### Issues To Aircraft Squadrons

Aircraft squadrons are not CAIMS reporting activities (except for sonobuoys). Therefore, all issues to aircraft squadrons are converted by CAIMS to training expenditures. Ordnance normally loaded and retained aboard aircraft (CADs) or retained in custody of the squadron (inert training ordnance) is reported as expended at the time of issue. Ordnance of this nature that is subsequently turned in by an aircraft squadron is reported as a receipt.

For ordnance that is normally unloaded after a mission (bombs, rockets, missiles, or torpedoes), no report of issues or expenditures should be made unless the ordnance was actually expended. Squadrons are responsible for advising their support unit/activity of the ordnance actually expended (by expenditure category), returned, and/or retained. Upon notification of actual expenditures, the support unit/activity should submit the appropriate transaction report.

### Serial/Lot Item Tracking (SLIT)

SLIT is required for air- and surface-launch missiles and boosters. SLIT provides for the complete tracking of certain items from birth to death by their unique serial or lot number.

Fleet units must SLIT-report onloads from or off-loads to CONUS shore activities. They must also report inter-ship transfers (including FFT material

involving a shore activity), expenditures, and Condition code changes of all-up-rounds (AURs) and components. SLIT reporting is required of both the receiving and issuing ships when an inter-ship transfer is involved. The receiving/issuing ship must address each other for information on ATR message submissions. This requirement enables each ship to verify the transfers, correct discrepancies, and submit appropriate modified ATRs to Naval Ammunition Logistics Center.

All items that require SLIT reporting are contained in TW010-AA-ORD-010/NAVAIR 11-1-116A, and are identified by material control codes B, C, and E. A few of the most common SLIT-reported items are discussed in the following paragraphs.

**AIR-LAUNCH MISSILES.**—Air-launch missiles (ALMs) require SLIT tracking; consequently, whenever a reportable transaction occurs, appropriate entries must be made in paragraph 7 of the ATR.

The serial number of an ALM is determined by the serial number of the leading serialized component of the missile and should be reported, regardless of the ALM configuration. The tracking of these serial numbers should be reported from individual unassembled components up to an AUR.

In addition to the missile serial number, the maintenance due date (MDD) and the Type Maintenance Due code (TMDC) must be reported when a missile is removed from deep stowage to a ready-service locker, or when a missile has been captive-flown. To indicate either condition, a transaction report should be submitted initially for each removal or captive flight of a missile. The report should show the missile serial number, MDD, and TMDC. After the initial report, it is unnecessary to make subsequent reports of deep-stowage removals or captive flights on a specific missile.

**SURFACE MISSILES.**—The issuing, receiving, stowing, and reporting of surface missiles are the responsibility of the weapons department aboard aircraft carriers. Surface missiles aboard aircraft carriers are part of the ship's point defense system. Surface missiles are SLIT-reportable items, and are reported in the same manner as discussed for ALMs.

Other items that require SLIT reporting are warshot and exercise torpedoes and underwater mines. Additionally, Mk 75 DST modification kits and Mk 503 test sets require tracking. Therefore, the receiving and issuing activities must provide the Mk/Mod of each Mk 75 DST modification kit and the Mk/Mod and serial

number of each test set issued or received in paragraph 7 of the ATR.

## TRANSACTION REPORTS

You should now be familiar with the general procedures for submitting ammunition transaction reports. The following paragraphs provide you with a few typical reporting situations and illustrations of completed ATRs.

### Receipt Transactions

An example of an ATR indicating receipt from a shore activity is shown in figure 17-4. The informational content of the ATR shown in figure 17-4 is explained in the following paragraphs:

**R 152332Z JUN 00.** This number represents the date-time group (DTG) of the message. The DTG is assigned by the local communications center. This number is very important because it provides the **only** means of tracking/referencing the message after it is transmitted. The message is designated as R (Routine)

precedence. The DTG provides you with the date (15), time (2332Z), month (JUN), and the year (00) of the message. The message DTG is assigned by the communications center only after the message has been properly drafted and released.

**FROM: USS NIMITZ.** ATRs are always from the ship/unit submitting the report.

**TO: NAVAMMOLOGCEN MECHANICSBURG PA.** All ATRs are addressed for action to Naval Ammunition Logistics Center.

**INFO: CINCLANTFLT NORFOLK VA.** The number of commands addressed for information on an ATR varies. This depends primarily upon the type of transaction being reported. In any case, CINCLANTFLT is always an information addressee.

**UNCLAS //N08010//.** ATRs are either unclassified or classified, depending upon the type of transaction being reported and/or by the information contained in paragraph 6 or 7 of the report. In this case, the ATR is unclassified. The Standard Subject Identification Code (SSIC) is the last element of the classification line, and

```
R 152332Z JUN 88

FROM:  USS NIMITZ
TO:    NAVORDCEN MECHANICSBURG PA
INFO:  CINCLANTFLT NORFOLK VA

UNCLAS //N08010//
SUBJ:  AMMO TRANS RPT CINCLANTFLT 8010-4

1.  ITEMS TWO

2.  SER EIGHT FOUR

3.  UIC 03368/0

4.  ACT CLASS DELTA

5.  DATE 88166/5

6.  A          B          C          L          N
    H542/1     220/4     200/2     420/6     V03368/3280/8634/4
    J421/7     0/0       400/4     400/4     V03368/3280/8365/5

7.  REMARKS: RCVD FM WPNSTA YORKTOWN.
```

Figure 17-4.—ATR showing receipt from a shore activity.

it is required on most naval messages. The SSIC is derived from SECNAVINST 5210.11 (series). The SSIC consists of a six-character code preceded and followed by two slant signs. It is used as a message processing aid and by communication centers for internal message distribution. For ATRs the SSIC is always //N08010//.

**SUBJ:** (Subject) AMMO TRANS RPT CINCLANTFLT 8010-4. This is the subject line of the ATR. AMMO (ammunition) TRANS (transmittal) RPT (report) CINCLANTFLT 8010-4.

**1. ITEMS TWO.** Two indicates the total number of items reported in paragraph 6.

**2. SER EIGHT FOUR.** The serial number of the report is 84.

**3. UIC 03368/0.** The originator's Unit Identification Code. The check-sum-digit procedure was used as previously discussed.

**4. ACT CLASS DELTA.** This is the ACT (activity) CLASS (classification) line. For an explanation of activity classification DELTA, refer to the activity classifications listed in table 17-7.

**5. Date 00166/9.** The ATR was submitted on the 166th day of 2000 and the check-sum-digit is 9.

**6.** This paragraph reflects the NALCs for which the transactions are being reported, the on-hand quantity of items, quantity received, serviceable on-hand quantity, unserviceable/suspended quantity on hand, requisition document number, and narrative remarks.

**Column A.** This column shows the NALCs for which the transaction is reported. The NALC is listed directly beneath column A; subsequent NALCs are located directly under the preceding NALC. NALCs should be arranged in alphanumeric sequence. **Remember that the NALC is always a mandatory entry.**

**Column B.** This column shows the on-hand quantity of the item as of the last report. The last ATR serial number submitted for a particular NALC can be easily obtained by referring to the Ammunition Master Stock Record Card (discussed later in this chapter). After obtaining the last report for a particular NALC, add the digits in column L (serviceable on-hand) and column M (unserviceable/suspended on-hand) to obtain the sum. This sum provides the total quantity on hand and is entered in column B.

**Column C.** This column shows the quantity received. When all the items under an NALC are shipped from the same UIC, the total amount should be entered in column C. When some of the items under the NALC are received from more than one UIC, an entry must be made in paragraph 7 to show the shipping activities.

**Column L.** This column shows the new serviceable on-hand quantity. The sum of columns B and C provides you with the new serviceable on-hand quantity.

**Column M.** This column shows the unserviceable/suspended quantity on hand. When this quantity has not changed since the last report, no entry is required. When items reported under the NALC have become unserviceable or suspended since the last report, an entry reflecting the new balance must be made under column M. Remember, the quantity added to column M must be deducted from column L.

**Column N.** This column shows the requisition document number of the material shipped.

**7. REMARKS:** This paragraph contains the name(s) of the activity(ies) that shipped the material. When the material involved in the transaction requires SLIT, the appropriate information is entered in this paragraph. Remember that all numerical entries require check-sum-digit procedures.

### Gains and Losses by Inventory Reports

An example of an ATR with GBIs and LBIs is shown in figure 17-5. The reporting of GBIs is basically the same as previously discussed for reporting receipts. In figure 17-5, NALC A662 is reported as a GBI. Column A lists the NALC, column B lists the total quantity on hand as of the last report, column C lists the quantity gained by inventory, and column L lists the new total-on-hand balance. NALC A662 is entered in paragraph 7 of the report as a GBI with a brief explanation.

The ATR also shows NALCs A661 and M128 as LBIs. Note that column A lists the NALC, column B lists the total quantity on hand as of the last report, column C lists the quantity received as zero because no material was received, column J lists the quantity LBI, and column L lists the total quantity remaining. The column J quantity must be deducted from the quantity in column B. An entry is made in paragraph 7 of the report showing NALCs A661 and M128 as LBIs. The LBI involving NALC A661 was an error in reporting,

R 151810Z JUN 88

FROM: USS INDEPENDENCE  
TO: NAVORDCEN MECHANICSBURG PA  
INFO: CINCLANTFLT NORFOLK VA

UNCLAS //N08010//  
SUBJ: AMMO TRANS RPT CINCLANTFLT 8010-4

1. ITEMS THREE
2. SER ONE SIX TWO
3. UIC 03362/4
4. ACT CLASS DELTA
5. DATE 88166/5
6.

A	B	C	J	L
A661/3	16800/5	0/0	1200/3	15600/2
A662/4	12000/3	1200/3	0/0	13200/6
M128/1	200/2	0/0	100/1	100/1
7. REMARKS:  
  
NALC A661/3 LBI NALC A662/4 GBI DUE TO ONE PALLET (2400 RDS) MIXED HALF-HALF BOTH NALCS RCVD AS NALC A661/3. NALC M128/1 LBI. MSLR SUBMITTED. USS INDEPENDENCE 151800Z JUN 84 APPLIES.

---

NOTE: Missing, lost, stolen, or recovered (MSLR) reports are required for gains/losses of sensitive ordnance IAW SECNAVINST 5500.4 (Series). Remarks (paragraph 7) should include date-time group of message for subject MSLR. A detailed explanation for losses other than sensitive ordnance items that do not require an MSLR submission is still required in the REMARKS section of the ATR.

Figure 17-5.—ATR showing gains and losses by inventory.

and no further action is required. Since the loss of NALC M128 cannot be determined, an MSLR report was submitted and the date-time group of that message is indicated.

### Receipts and Issues for Further Transfer Reports

An example of the ATR showing receipts and issues FFT is shown in figure 17-6. Since the material involved is FFT to *USS George Washington* and *USS Enterprise*, these two ships are information addressees on the ATR.

Also, this particular ATR is classified CONFIDENTIAL. Notice that the subject line and paragraphs 1, 2, 3, 4, 5, and 7 include a (U) and

paragraph 6 includes a (C). When an ATR is classified, each paragraph must be identified as to the classification of its contents. This is indicated by a (U) for unclassified, or (C) for Confidential.

NALC PA68 (column A) shows the balance on hand as 9 (column B), 0 received (column C), 1 issued (column D), and the new balance on hand as 8 (column L). This NALC was issued to NWS YORKTOWN FFT to *USS Enterprise*, and is a SLIT-controlled item. Therefore, the intermediate activity, ultimate receiving activity, serial number, and MDD are entered in paragraph 7.

NALC 1611 (column A) shows an on-hand balance of 3 (column B), quantity received as 1 (column C), 0 issued (column D), a current on-hand balance of 4

R 221830Z JUN 88

FROM: USS SEATTLE  
TO: NAVORDCEN MECHANICSBURG PA  
INFO: CINCLANTFLT NORFOLK VA  
USS SARATOGA  
USS AMERICA

C O N F I D E N T I A L //N08010//

SUBJ: AMMO TRANS RPT CINCLANTFLT 8010-4 (U)

1. (U) ITEMS TWO

2. (U) SER ONE EIGHT FIVE

3. (U) UIC 05848/5

4. (U) ACT CLASS DELTA

5. (U) DATE 88173/3

(C)	A	B	C	D	L	N
PA68/4		9/9	0/0	1/1	8/8	
1611/9		3/3	1/1	0/0	4/4	N03366/3104/8321/0

7. (U) REMARKS:

<u>NALC</u>	<u>SERIAL</u>	<u>MDD</u>	<u>FM/TO</u>
1611/9	5108/4	0482/4	RCVD FM NWS YORKTOWN FFT USS AMERICA
PA68/4	R10048B4/7	0483/5	ISSUED TO NWS YORKTOWN FFT USS SARATOGA

DECL 22 JUNE 1994

CONFIDENTIAL FOR ILLUSTRATIVE  
PURPOSES ONLY. THIS PAGE IS  
UNCLASSIFIED.

Figure 17-6.—ATR showing receipts and issues for further transfer.

(column L), and the requisition document number (column N). This NALC was received from NWS YORKTOWN FFT to *USS George Washington*, and is a SLIT-controlled item. Therefore, the activity from which the item was received, the ship to which the item is to be transferred, the serial number, and the MDD are entered in paragraph 7.

### Reconciliation Reports

When Naval Ammunition Logistics Center requests a reconciliation report to correct errors

between the ship's data files and the CAIMS data base, you should submit a response in the format shown in figure 17-7. When the on-hand balance of a NALC listed on the reconciliation request does not agree with your data files, an on-sight inventory must be conducted to verify the actual on-hand balance.

The reconciliation report shown in figure 17-7 shows no change in the ship's data files because the on-hand balance as of the last report (column B) and the current on-hand balance (column L) is the same. However, when the on-sight inventory results in GBIs

```

R 082130Z FEB 88
FROM:  USS AINSWORTH
TO:    NAVORDCEN MECHANICSBURG PA
INFO:  CINCLANTFLT NORFOLK VA

UNCLAS //NO8010//
SUBJ:  AMMO TRANS RPT CINCLANTFLT 8010-4

1.  ITEMS THREE
2.  SER TWO ZERO ONE
3.  UIC 20068/6
4.  ACT CLASS ALFA
5.  DATE 88039/4
6.
   A           B           L
   A165/2      2400/6      2400/6
   D336/2      30/3        30/3
   L525/2      21/3        21/3
7.  REMARKS: RECONCILIATION REPORT IAW NOC, 051432Z FEB 84

```

Figure 17-7.—ATR showing reconciliation response.

or LBIs, columns C and J have to be completed, as appropriate. Paragraph 7 of the report should reference the date-time group of the reconciliation request received and provide amplifying remarks when GBIs or LBIs exist.

### Corrected Reports

The request for a corrected report is always initiated by Naval Ammunition Logistics Center to the activity concerned. When an activity is advised by Naval Ammunition Logistics Center that a corrected report is required, it should be submitted in the format shown in figure 17-8.

Normally, Naval Ammunition Logistics Center requests a corrected report under the following circumstances: A report is not in mathematical balance; an erroneous NALC has been reported; the beginning on-hand balance does not equal the last ending on-hand balance.

Corrected reports should be submitted by message using the identical date and ATR serial number of the original report. Only those items that are corrected should be included in paragraph 6. Paragraph 7 of the report should contain the words CORRECTED REPORT IAW Naval Ammunition Logistics Center (use appropriate message date-time group). When the corrected entry in paragraph 6 alters the SLIT/registry data, enter these changes in paragraph 7.

### Modified Reports

In contrast to corrected reports, modified reports (fig. 17-9) are initiated by the activity. An activity should submit a new report when it discovers an incorrect NALC has been reported; serial numbers of SLIT items were improperly reported; or an improper quantity was reported as a receipt, issue, expenditure, transfer, or LBI. The new report must be assigned a new ATR serial number, and you should use the present date.

R 151830Z JUN 88

FROM: USS MULLINNIX  
TO: NAVORDCEN MECHANICSBURG PA  
INFO: CINCLANTFLT NORFOLK VA

C O N F I D E N T I A L //N08010//  
SUBJ: AMMO TRANS RPT CINCLANTFLT 8010-4 (U)

1. (U) ITEM ONE
2. (U) SER FOUR ZERO (see note 1)
3. (U) UIC 52203/2
4. (U) ACT CLASS ALFA
5. (U) DATE 88166/5 (see note 2)
6. (C) A            B            F            L            (see notes 3 and 4)  
D316/0        750/2        86/4        664/6
7. (U) REMARKS: CORRECTED REPORT IAW NOC, 051425Z JUN 84

DECL 15 JUN 1994

- 
- NOTES: 1. Use the serial number of the report being corrected, NOT a new serial number.
2. Use the report date of the report being corrected, NOT the present date.
3. List only the NALC(s) that require correction. Do NOT include other or new transactions.
4. Ensure the entry is in mathematical balance.
5. When the corrected entry in paragraph 6 changes SLIT/registry data, enter these changes in paragraph 7.

**CONFIDENTIAL FOR ILLUSTRATIVE  
PURPOSES ONLY. THIS PAGE IS  
UNCLASSIFIED.**

Figure 17-8.—ATR showing corrected report.



R 151830Z JUN 88

FROM: USS BLUEFISH  
TO: NAVORDCEN MECHANICSBURG PA  
INFO: USS L. Y. SPEAR

UNCLAS //NO8010//  
SUBJ: AMMO TRANS RPT CINCLANTFLT 8010-4

1. ITEMS TWO
2. SER FOUR ZERO
3. UIC 05723/7
4. ACT CLASS ALFA
5. DATE 88166/5

6.	A	B	C	J	L
	A475/6	3220/7	0/0	200/2	3020/5
	1569/1	1/1	0/0	0/0	1/1

7. REMARKS: MODIFICATIONS OF DATA SUBMITTED ON ATR 33 FOR NALCS A475/6 AND 1569/1.

<u>NALC</u>	<u>REMARKS</u>
-------------	----------------

A475/6	LBI, ATR 33 REPORTED RECEIPT OF 50 CLIPS, 5 ROUNDS EACH, TOTAL OF 250 ROUNDS; ACTUAL RECEIPT WAS 1 BOX OF 50 ROUNDS, 200 ROUNDS REPORTED AS RECEIVED WERE NOT RECEIVED BECAUSE OF DIFFERENT UNIT PACK. AN MLSR SUBMITTED. USS MULLINNIX 151829Z JUN 84 APPLIES.
--------	---

1569/1	ATR 33 REPORTED INCORRECT SERIAL NUMBER OF 151729/5. CORRECT ENTRY IS:
--------	--

NALC	SERIAL	MDD	FM
1569/1	151792/5	0578/0	USS L. Y. SPEAR

Figure 17-9.—ATR showing modified report.

You should use whatever transactions (including GBIs or LBIs) are required to bring the reported on-hand balances submitted on the last ATR into agreement with the actual on-hand balance. Adjustments of receipts, issues, LBIs, and so forth, are done by using the beginning inventory entry in column B for the modified report. This entry can be obtained from the ending inventory on the last ATR for the NALCs involved.

Paragraph 7 should contain a statement similar to the following: MODIFICATION OF DATA SUBMITTED ON ATR XXX FOR NALCS XXXX, XXXX, AND XXXX. Column J entries must be explained in detail in paragraph 7, and reference the DTG of the MLSR report submitted.

### AMMUNITION MASTER STOCK RECORD CARD

The Ammunition Master Stock Record Card, NAVSUP Form 1296, is used to record all pertinent data for each NALC carried within an activity or ship. These cards are yellow in color and are designed for filing in a McMillan binder or KARDEX file. They should be filed in alphanumeric sequence by NALC. The Ammunition Master Stock Record Card is very important because it provides you with a complete history of each NALC from the day it was received. However, the information on these cards is only as accurate as the information entered on them. It is extremely important that you enter data on these cards accurately.



stowed in the same magazine, you still must initiate one Ammunition Master Stock Record Card for each of the three allowance categories. You must ensure expenditures are posted to the correct Ammunition Master Stock Record Card within the correct allowance category.

**BLOCK 10 (90% OF SHIPFILL ALLOWANCE).** Enter the quantity that represents 90 percent of the applicable shipfill allowance (this is for shipfill allowance only). For example, when the shipfill allowance permits an allowance of 20,000 rounds aboard, you are required to maintain an on-hand balance of 18,000 rounds.

**BLOCK 11 (ANNUAL TRAINING ALLOWANCE).** Enter the annual training allowance, as appropriate.

**BLOCK 12 (LOGISTICS CODE).** Enter the NALC as shown in the *Stock List of Navy Ammunition*, TW010-AA-ORD-010/NAVAIR 11-1-116A.

**BLOCK 13 (COG).** Enter the appropriate cognizance symbol.

**BLOCK 14 (NIIN/NOMENCLATURE).** Enter the nomenclature and other information, such as the NSN.

**BLOCK 15 (MATERIAL CONTROL CODE).** Enter the MCC if a SLIT reportable item (B, C, and E).

**BLOCK 16 (ACC).** Enter the appropriate activity Classification code, as discussed previously in this chapter.

**BLOCK 17 (DOT).** Enter the DOT hazard class as indicated in the *Navy Transportation Safety Handbook For Hazardous Materials*, NAVSEA OP 2165, volume 2.

**BLOCK 18 (NEW).** Enter the net explosive weight (NEW) in this block. NEWs can be found in the *Navy Transportation Safety Handbook for Hazardous Materials*, NAVSEA OP 2165 volume 2.

**BLOCK 19 (STOWAGE LOCATION).** Enter the appropriate building or magazine number where the materials are located.

**BLOCK 20 (CG HAZ CL).** Enter the Coast Guard hazard class as indicated in the *Navy Transportation Safety Handbook for Hazardous Materials*, NAVSEA OP 2165 volume 2.

Figure 17-11 is an example of an Ammunition Master Stock Record Card with several types of actions posted. A few of these entries are discussed in the

ENTRY DATE		DOCUMENT NUMBER			TRANSACTIONS		ON-HAND BALANCES					ATR SERIAL	QUANTITY DUE IN	UNEXP TRAINING ALLOC
ACTIVITY	DATE	SERIAL	TYPE	QUANTITY	CODE "A"	CODE "J"	CODE "H"	CODE	CODE	CODE	SERIAL	DUE IN	ALLOC	
<b>BALANCE FORWARD</b>						746						0	150	
84312			F	63	683						034	0	87	
84312	Y03574	4312	8109		683							63		
84325			G	12	671						035	0	75	
84350	Y03574	4312	8109	C	63	734					036	0		
84353	NAR	472	76	X	21	713	21				037			
85003			F	32	681						038		43	
85016	NAR	18-77		X	21	681	0	21			040			
85037			E	119	562						042			
85038	Y03574	5038	8110		562							184		
85087			H	15	547						043		28	
85087			I	1	546						043			
85089	Y03574	5037	8111	D	21	546	0				044			
85116	Y03574	5038	8110	C	184	730					045	0		
85123			F	21	709						046		7	
85135			J	2	707						047	0		
85135	Y03574	5135	8112	D	707	0					047	0		
PACKAGING - REMARKS										ALLOWANCE	90% OF SHIPFILL ALLOWANCE	ANNUAL TRAINING ALLOCATION		
Palletized with 48 rds										746	671	150		
LOGISTICS CODE	COG	NIIN/NOMENCLATURE			MCC	ACC	DOT	NEW	STOWAGE LOCATION	C.G. HAZ CL.				
D232	2T	00-039-2769 Proj 5"/38 VT-SD				A	A	7.9234	NALC MASTER	VII				
10	20	30	40	50	60	70	80	17NP0432						

Figure 17-11.—Example of an Ammunition Master Stock Record Card (NAVSUP Form 1296) with several types of actions posted.

following paragraphs. The actions discussed are identified in Block 1 (ENTRY DATE) as follows:

**BALANCE FORWARD.** The balance forward line indicates the beginning on-hand balance is 746. Of the 746, none are unserviceable, 150 are allotted for training, and none are on order.

**ENTRY DATE 84312.** This entry indicates that 63 rounds are expended under a type F (training) expenditure. You must deduct the 63 rounds expended from the serviceable on-hand total. This leaves a total of 683 rounds. Since this is a training expenditure, you must also deduct 63 rounds from the unexpended training allowance. This leaves a total of 87 rounds. Now, the ATR serial number on which the transaction was reported is entered. The second entry date of 88312 indicates that 63 rounds are on order (block 6).

**ENTRY DATE 84350.** This entry indicates that the 63 rounds ordered on 84312 have been received. You should enter the document number, the amount received, and add the amount received to the serviceable on-hand total (receipt) in the appropriate blocks. Also, you must enter the ATR serial number on which this transaction was reported.

**ENTRY DATE 84353.** This entry indicates that a notice of ammunition reclassification (NAR) was received. The NAR number is 472-76. This number should be entered in blocks 2a, 2b, and 2c. This particular NAR indicates that Lot BE-68-SJ-55 is suspended. You should refer to the ammunition lot/location card to verify that this particular lot number is aboard. Ammunition lot/location cards are discussed later in this chapter. In this case, there are 21 items aboard with this lot number. Therefore, you must add a total of 21 items to the unserviceable/suspended on-hand column and subtract a total of 21 items from the serviceable on-hand column. You must also enter the ATR serial number on which this transaction was reported.

**ENTRY DATE 85089.** This entry indicates the 21-unserviceable/suspended items that have been off-loaded. You should enter the document number on which the material was shipped in blocks 2a, 2b, and 2c. Enter the amount off-loaded in block 3b (QUANTITY). Then, deduct the amount issued (21) from the unserviceable/suspended on-hand balance (21). This leaves an unserviceable/suspended on-hand balance of zero. You must also enter the ATR serial number on which this transaction was reported.

**ENTRY DATE 85135.** This entry indicates that 707 rounds were off-loaded. You should enter the document

number on which the material was shipped in the appropriate blocks. Enter the quantity shipped in the issued column. Now, deduct this amount from the serviceable on-hand balance. This leaves a remaining balance of zero. The unexpended training on-hand balance is also zero because it was included in the serviceable on-hand balance.

You can see there is a close relationship between the ammunition stock record cards and the ATRs. ATRs are filed by serial number. Each transaction reported on an ATR is posted on the Ammunition Master Stock Record Card, along with the applicable ATR serial number. Therefore, any transaction regarding a particular NALC can be verified quickly and efficiently.

### **AMMUNITION LOT/LOCATION CARD**

The Ammunition Lot/Location Card, NAVSUP Form 1297 (green), is used to record lot numbers and stowage locations of items. This card is used with the Ammunition Master Stock Record Card and should be filed by NALC behind each Ammunition Master Stock Record Card.

Nearly all items of ordnance are assigned a lot number and are lot controlled. However, it is not always practical to place every item under lot control; for example, practice bombs or general-purpose bombs. These items are used in such large quantities that it is impractical to record the lot number for each item expended. However, when these items are received, the lot numbers should be recorded on an Ammunition Lot/Location Card for information purposes.

Cartridges, cartridge-actuated devices, rocket motors, and small arms ammunition require close lot control. The total number of each item should be recorded on an Ammunition Lot/Location Card by lot number and stowage location. When items are issued, expended, or reclassified, the entry on the Ammunition Lot/Location Card must reflect the quantity by lot number and from which stowage location they were removed.

The Ammunition Lot/Location Card, shown in figure 17-12, is very similar to the Ammunition Master Stock Record Card in format. Therefore, preparation of the Ammunition Lot/Location Card is not discussed in detail.

### **AMMUNITION SERIAL/LOCATION CARD**

The Ammunition Serial/Location Card (fig. 17-13) will be used for all items for which serial control is



required (Material Control code C-serial controlled E-serial and lot controlled). These cards will be filed by NSN with the corresponding Ammunition Master Stock Record Card. One Ammunition Serial/Location Card will be maintained for each torpedo; assembled air-launched missile (ALM), as well as selected components; and surface missile (SMS). The serial number of the leading serialized component will be reported regardless of the missile configuration.

### **REVIEW NUMBER 2**

- Q1. Ammunition received FFT should be reported after how many days?*
- Q2. Issues to aircraft squadrons are converted by CAIMS to what type of expenditure?*

- Q3. Why is the date-time group of an ATR important?*

### **REVIEW NUMBER 2 ANSWERS**

- A1. Ammunition received FFT should be reported after 7 days.*
- A2. Issues to aircraft squadrons are converted by CAIMS to training expenditures.*
- A3. The date-time group of an ATR is important because it provides the only means of tracking/referencing the message after it is transmitted.*

## APPENDIX I

# GLOSSARY AND ACRONYMS

- A/A**-Air to air.
- AAB**-Aviation armament bulletin.
- AAC**-Aviation armament change.
- ABSLA**-Approved basic stock level of ammunition.
- ACM**-Air combat maneuver.
- AFB**-Airframe bulletin.
- AFC**-Airframe change.
- AFTER ENGINE TURNUP**-That time in the prior-to-launch phase when the pilot has completed his pretaxi checklist.
- AFTER LANDING/GROUND ABORT**-That time after landing or ground abort phase when the pilot has completed the after landing checklist.
- A/G**-Air to ground.
- AGM**-Air-launched, surface attack guided missile.
- AIM**-Air-launched, aerial intercept guided missile.
- AIMD**-Aviation intermediate maintenance department.
- AIRBORNE STORE**-Fuel and spray tanks, non-expendable training weapons, pods (refueling, gun, ECM, etc.). This includes all similar items intended for carriage by aircraft, including racks launchers, and detachable pylons that do not normally separate from the aircraft in flight.
- AIRBORNE WEAPON**-All missiles, rockets, bombs, mines, torpedoes, and all similar items intended for carriage by aircraft that are normally separated from the aircraft in flight.
- AIRCRAFT ARMAMENT SYSTEM**-Aircraft armament subsystems that, when interconnected, give the aircraft its airborne weapons/stores capability.
- AIRCRAFT CONFIGURATION**-The system and components required to carry or deliver a specific airborne weapon/store.
- AIRCRAFT LOAD PLAN**-A chart/form used to assign weapons to a particular bomb rack/station for loading.
- AMAC**-Aircraft monitor and control. Functional tests of the aircraft monitor and control system, release system, and jettison system for nuclear weapons.
- AOCS**-Aviation ordnance control station.
- ARM**-Antiradiation missile.
- ARM, ARMING**-The action that changes ammunition from a safe condition to a state of readiness for initiation.
- ASW**-Antisubmarine warfare.
- AT**-Arming time.
- ATM**-Air-launched, training, guided missile.
- AT/PERS**-High-explosive antitank/antipersonnel.
- ATR**-Ammunition transaction report.
- AUR**-All-up-round. The complete assembly of a weapon normally shipped to the operating forces. The weapon requires no assembly or functional checks before loading on the aircraft for delivery to the target.
- AVB**-Avionics bulletin.
- AVC**-Avionics change.
- AWB**-Airborne weapons bulletin.
- AWC**-Airborne weapons change.
- AYB**-Accessory bulletin.
- AYC**-Accessory change.
- BD**-Base detonating.
- BDU**-Bomb dummy unit.
- BEFORE ENGINE TURNUP**-That time in the prior-to-launch evolution when the pilot is commencing general aircraft ground inspection or checks and extending until the inspections or checks are complete.
- BIT, BITE**-Built-in test.
- BPDSMS**-Basic Point Defense Surface Missile System.
- CAD**-Cartridge-actuated device.

**CAIMS**-Conventional Ammunition Integrated Management System.

**CARTRIDGE**-A complete assembly consisting of an initiator and a pressure-producing propellant in a suitable case. Impulse cartridges have no projectiles. A cartridge may be electrically or mechanically fired.

**CAUTION**-An operating procedure, practice, or condition that, if not strictly observed, could result in damage to or destruction of equipment.

**CBU**-Cluster bomb unit. It consists of a number of bombs contained in a dispenser or clustering device and suspended from a bomb rack. A CBU may function while on the rack or after release.

**CCG**-Computer control group.

**CCO**-Combat cargo officer.

**CG**-Center of gravity.

**CHAFF**-A radar reflective material used to deceive or counteract unfriendly radar or destructive offensive ordnance.

**CHECKLIST**-An individual sequence of procedures bearing a title and constituting a part of a publication designated as the loading checklist.

**CINCLANTFLT**-Commander-in-Chief Atlantic Fleet.

**CINCPACFLT**-Commander-in-Chief Pacific Fleet.

**CNO**-Chief of Naval Operations.

**CO**-Commanding Officer.

**COG**-Cognizance symbol. Indicates the command, bureau, or office that has control over supply and/or distribution of the material.

**CONVENTIONAL WEAPONS**-Nonnuclear weapons. This excludes all biological weapons and generally excludes chemical weapons except for existing smoke, incendiary agents, and agents of riot-control weapons.

**CV**-Aircraft carrier.

**CVN**- Nuclear aircraft carrier

**DAAS**-Defense Automatic Addressing System.

**DEARMING AREA**-That area where a weapon is changed from a state of readiness for initiation to a safe condition. When forward-firing weapons are involved, the area ahead of the aircraft must be clear and kept clear until weapon safing procedures are completed.

**DODIC**-Department of Defense Identification Code.

**DOT**-Department of Transportation.

**DOWNLOADING**-An operation that removes airborne weapons/stores from aircraft.

**DROPPING SAFE**-Releasing an airborne weapon/store in a safe or unarmed condition so that it will not function upon impact.

**DST**-Destructor.

**DTRM**-Dual-thrust rocket motor.

**DUD**-Explosive ammunition that has failed to function.

**ECCM**-Electronic counter-countermeasures.

**ECM**-Electronic countermeasures.

**EEA**-External evidence of arming.

**EED**-Electroexplosive device.

**EMCON**-Emission control.

**EOD**-Explosive ordnance disposal.

**ERDL**-Extended range data link.

**EXPLOSIVE ORDNANCE DISPOSAL UNIT**- Personnel with special training and equipment who render explosive ordnance safe, make intelligence reports, and supervise the safe removal of ordnance.

**FCLP**-Field carrier landing practice.

**FFAR**-Folding-fin aircraft rocket.

**FFT**-For further transfer.

**FORWARD-FIRING WEAPONS**-Weapons, such as missiles, rockets, and guns, that are propelled in a forward direction.

**FSC**-Federal supply class.

**FUZE**-A term used for the mechanical or electrical device that initiates detonation of an explosive at a desired time.

**GBI**-Gains by inventory.

**GBU**-Guided bomb units.

**GCBS**-Ground controlled bombing system. Weapons are released from the aircraft by a controller on the ground.

**GCG**-Guidance control group.



**GCU**-Gun control unit.

**GP**-General purpose.

**GUIDED WEAPON**-A weapon that has no propulsion but does have guidance control capability.

**HARM**-High-speed, antiradiation missile.

**HDC**-Helicopter Direction Center.

**HE**-High explosive.

**HEAT**-High-explosive antitank.

**HE-FRAG**-High-explosive fragmentation.

**HEI**-High-explosive incendiary.

**HERO**-Hazardous electromagnetic radiation to ordnance.

**HTW**-Helicopter trap weapon.

**HUD**-Head-up display.

**HUNG WEAPON**-A weapon that accidentally remains attached to an aircraft after an attempt to release it from the rack.

**IF APPLICABLE**-Used to preface a step/procedure meaning that, when required, must be performed. When the step/procedure is not required, it may be omitted.

**IFOBRL**-In-flight operable bomb rack lock.

**IMER**-Improved multiple ejector rack

**INTERVALOMETER**-An electrical or electro-mechanical device that controls the release or firing of airborne weapons/stores at a specified interval or sequence.

**IPDSMS**-Improved Point Defense Surface Missile System.

**IPB**-Illustrated parts breakdown.

**IRRP**-Improved Rearming Rate Program.

**ITER**-Improved triple ejector rack

**IWHS**-Improved Weapons Handling System.

**JADM**-Joint Direct Attack Munition

**JATO**-Jet-assist takeoff.

**JETTISON**-Releasing of an airborne weapon or store by an emergency or secondary release system.

**JSOW**-Joint standoff weapon

**LABS**-Low altitude bombing system.

**LALS**-Linkless Ammunition Loading System.

**LBI**-Loss by inventory.

**LDGP**-Low-drag, general purpose.

**LEMA**-Linear electromechanical actuator.

**LGB**-Laser-guided bomb.

**LGTR**-Laser guided training round (LGTR).

**LSFFAR**-Low-spin, folding-fin, aircraft rocket.

**MACH**-A measurement of sonic speed under standard atmospheric conditions. Mach 1.0 is about 766 miles per hour.

**MDD**-Maintenance due date.

**MER**-Multiple ejector rack.

**MIARS**-Maintenance Information Automated Retrieval System.

**MILSTRIP**-Military Standard Requisitioning and Issue Procedures.

**MIM**-Maintenance instruction manual.

**MOAT**-Missile on aircraft test.

**MOD**-Modification.

**MOMAG**-Mobile mine assembly group.

**MRC**-Maintenance requirements card.

**NADEP**-Naval ammunition depot.

**NALC**-Naval ammunition logistics code.

**NAPI**-Naval Aeronautic Publications Index.

**NAR**-Naval ammunition reclassification.

**NATO**-North Atlantic Treaty Organization.

**NATOPS**-Naval Air Training and Operating Procedures Standardization.

**NATSF**-Naval Air Technical Services Facility.

**NAVAIRSYSCOM**-Naval Air Systems Command.

**NAVSEASYSYSCOM/NAVSEA**-Naval Sea Systems Command.

**NAVSUPSYSCOM/NAVSUP**-Naval Supply Systems Command.

**NIIN**-National item identification number.

**NOMMP**-Naval ordnance maintenance management program.

**NOTE**-An operating procedure, practice, or condition that is essential to highlight.

**NSN**-National stock number.

**NWS**-Naval weapons station.

**OD**-Ordnance data.

**OIC**-Officer in charge.

**OHO**-Ordnance handling officer.

**OJT**-On-the-job training.

**OP**-Ordnance publication.

**PD**-Point detonating.

**PMIC**-Periodic maintenance inspection cards.

**PMS**-Preventive Maintenance System.

**PWP**-Plasticized white phosphorus.

**Q-D**-Quantity-distance.

**RAC**-Rapid action change. Issued to provide timely information of changes to manuals.

**RADHAZ**-Radiation Hazards to Ordnance.

**RAT**-Ram air turbine.

**RDD**-Required delivery date.

**REARMING AREA**-That area where an operation that replenishes the prescribed airborne weapons/stores, ammunition, bombs, and other armament items for an aircraft is conducted. This operation may include fuzing and any stray voltage checks, as applicable.

**RELEASE AND CONTROL SYSTEM CHECK**-Functional test of an aircraft electrical/mechanical conventional weapon release and/or control subsystem.

**RF**-Radio frequency.

**RIM**-Ship-launched intercept-aerial guided missile.

**ROLMS**-Retail ordnance logistics management system

**RPM**-Rounds per minute.

**S&A**-Safety and arming device.

**SASS**-Special armament stowage space.

**SAT**-Safe air travel.

**SATS**-Short airfield tactical site.

**SEAM**-Sidewinder expanded acquisition mode. A means of slaving the AIM-9 optics to the air intercept radar to enhance tactical employment.

**SEB**-Support equipment bulletin.

**SEC**-Support equipment change.

**SLC**-Sonobuoy launch tube.

**SPCC**-Ships Parts Control Center.

**SRC**-Stores reliability card.

**STRAY VOLTAGE**-An undesired voltage existing between two specified points of a weapon system that is capable of producing a flow of current when a designated electrical measuring device is connected between the two points.

**SWL**-Safe working load.

**SWP**-Subordinate work package.

**TACO or TACCO**-Tactical coordinator.

**TALD**-Tactical air-launched decoy.

**TCB**-Target control system bulletin.

**TDD**-Target detecting device.

**TER**-Triple ejector rack.

**TMDC**-Type Maintenance Due code.

**TMINS**-Technical Manual Identification Numbering System.

**TPDR**-Technical Publication Deficiency Report.

**TRAMAN**-Training manual.

**UNO**-United Nations Organization.

**UIC**-Unit Identification Code.

**VER**-Vertical ejector rack.

**VT**-Proximity fuze, so called because the original devices contained one or more vacuum tubes.

**WAM**-Weapons assembly manual

**WARNING**-An operating procedure, practice, or condition that, if not correctly followed, could result in personal injury or loss of life.

## APPENDIX II

# REFERENCES USED TO DEVELOP THIS TRAMAN

**NOTE:** Although the following references were current when this TRAMAN was published, their continued currency cannot be assured. Therefore, you need to be sure that you are studying the latest revision.

### Chapter 1

*Airborne Weapons Assembly Manual, Mk 80/BLU Series Bombs, Mk 77 Fire Bombs, and Practice Bombs*, NAVAIR 11-140-5, Commander, Naval Air Systems Command, Washington, D.C., 1 April 2000.

*Airborne Weapons Assembly Manual, Paveway II, III, JDAM, and GBU's*, NAVAIR 11-140-10, Commander, Naval Air Systems Command, Washington, D.C., 1 April 2000.

*Airborne Weapons/Stores Loading Manual, Navy Model F-14A/B/D Aircraft*, NAVAIR 01-F14AAA-75, Commander, Naval Air Systems Command, Washington, D.C., 1 July 1998, Change 2 of 15 February 2000.

*Airborne Weapons/Stores Loading Manual, Navy Model F/A-18A/B/C/D Aircraft 161353 and Up*, A1-F18AE-LWS-000, Commander, Naval Air Systems Command, Washington, D.C., 1 May 1996, Change 4 of 15 June 1999.

*Airborne Weapons/Stores Loading Manual, Navy Model P-3 Aircraft*, NAVAIR 01-75PA-75, Commander, Naval Air Systems Command, Washington, D.C., 1 June 1997.

*Airborne Weapons/Stores Loading Manual, Navy Model S-3 Aircraft*, NAVAIR 01-S3AAA-75, Commander, Naval Air Systems Command, Washington, D.C., 1 August 1996.

*Aircraft General Purpose Bombs, Fire Bombs, Practice Bombs, and Components*, NAVAIR 11-5A-17, Commander, Naval Air Systems Command, Washington, D.C., 1 December 1998, Change 1 of 1 July 2000.

*Cluster Bomb Units*, NAVAIR 11-140-9, Commander, Naval Air Systems Command, Washington, D.C., 1 February 1998, Change 2 of 1 September 2000.

*Description and Characteristics Airborne Bomb and Rocket Fuze Manual*, NAVAIR 11-1F-2, Commander, Naval Air Systems Command, Washington, D.C., 1 September 1997, Change 1 of 1 December 1998.

*Dispenser and Mine Aircraft Weapon CBU-78/B (GATOR)*, NAVAIR 11-5A-33, Commander, Naval Air systems Command, Washington, D.C., 3 December 1987.

*Laser Guided Bombs GBU-12C/B, GBU-12D/B, GBU-16A/B, GBU-16B/B, GBU-10D/B, GBU-10E/B*, NAVAIR 01-15MGD-1, Commander, Naval Air Systems Command, Washington, D.C., 1 January 1998.

*Naval Ordnance Maintenance Management Program (NOMMP), OPNAVINST 8000.16*, Chief of Naval Operations, Washington, D.C., 1 September 1999.

*United States Navy Ordnance Safety Precautions*, NAVSEA OP 3347, Second Revision, Commander, Naval Sea Systems Command, Washington, D.C., 15 February 1972, Change 13 of 1 December 1986.

## **Chapter 2**

*Aircraft Rocket Systems 2.75-inch and 5.0-inch*, NAVAIR-75A-92, Commander, Naval Air Systems Command, Washington, D.C., 30 June 1999.

*Description and Characteristics Airborne Bomb and Rocket Fuze Manual*, NAVAIR 11-1F-2, Commander, Naval Air Systems Command, Washington, D.C., 1 September 1997, Change 1 of 1 December 1998.

*Naval Ordnance Maintenance Management Program (NOMMP)*, OPNAVINST 8000.16, Chief of Naval Operations, Washington, D.C., 1 September 1999.

*United States Navy Ordnance Safety Precautions*, NAVSEA OP 3347, Second Revision, Commander, Naval Sea Systems Command, Washington, D.C., 15 February 1972, Change 13 of 1 December 1986.

## **Chapter 3**

*Aircraft Guided Missile Launcher, LAU-7/A Series*, NAVAIR 11-75A-54, Commander, Naval Air Systems Command, Washington, D.C., 1 February 1998.

*Aircraft Guided Missile Launcher, LAU-115/A, A/A, B/A, C/A*, AW-394AC-750-000, Commander Naval Air Systems Command, Washington, D.C., 1 June 1998.

*Aircraft Guided Missile Launcher, LAU-118(V)1/A*, NAVAIR 11-75A-78, Commander, Naval Air Systems Command, Washington, D.C., 1 May 1998.

*Aircraft Guided Missile Launcher, LAU-117A(V)2/A*, NAVAIR 11-75A-79, Commander, Naval Air Systems Command, Washington, D.C., 1 April 1993.

*Naval Ordnance Maintenance Management Program (NOMMP)*, OPNAVINST 8000.16, Chief of Naval Operations, Washington, D.C., 1 September 1999.

*Sidewinder Guided Missile AIM-9H/M and Training Missile*, NAVAIR 01-AIM9-2, Commander, Naval Air Systems Command, Washington, D.C., 1 September 1997, Change 1 of 1 January 2000.

*Walleye I Guided Weapons, Mk 21 all Mods and Mk 29 all Mods*, NAVAIR 01-15MGA-3-2, Commander, Naval Air Systems Command, Washington, D.C., 1 January 1988.

*Walleye II Guided Weapons, Mk 5 Mod 6, Mk 23 all Mods, and Mk 30 all Mods*, NAVAIR 01-15MGB-3-2, Commander, Naval Air Systems Command, Washington, D.C., 1 September 1984.

*United States Navy Ordnance Safety Precautions*, NAVSEA OP 3347, Second Revision, Commander, Naval Sea Systems Command, Washington, D.C., 15 February 1972, Change 13 of 1 December 1986.

## **Chapter 4**

*Dispenser SUU-25F/A*, NAVAIR 11-75AA-48, Commander, Naval Air Systems Command, Washington, D.C., 1 October 1990.

*Naval Ordnance Maintenance Management Program (NOMMP), OPNAVINST 8000.16*, Chief of Naval Operations, Washington, D.C., 1 September 1999.

*Pyrotechnic, Screening, Marking, and Countermeasure Devices*, NAVSEA SW050-AB-MMA-010/NAVAIR 11-15-7, Volume 1, Revision 1, Commanders, Naval Sea Systems and Naval Air Systems Command, Washington, D.C., 1 July 1994, Change B of 1 October 1996.

*United States Navy Ordnance Safety Precautions*, NAVSEA OP 3347, Second Revision, Commander, Naval Sea Systems Command, Washington, D.C., 15 February 1972, Change 13 of 1 December 1986.

## **Chapter 5**

*Airborne Weapons/Stores Loading Manual, Navy Model P-3 Aircraft*, NAVAIR 01-75PA-75, Commander, Naval Air Systems Command, Washington, D.C., 1 June 1997.

*Airborne Weapons/Stores Loading Manual, Navy Model S-3 Aircraft*, NAVAIR 01-S3AAA-75, Commander, Naval Air Systems Command, Washington, D.C., 1 August 1996.

*Naval Ordnance Maintenance Management Program (NOMMP), OPNAVINST 8000.16*, Chief of Naval Operations, Washington, D.C., 1 September 1999.

*United States Navy Ordnance Safety Precautions*, NAVSEA OP 3347, Second Revision, Commander, Naval Sea Systems Command, Washington, D.C., 15 February 1972, Change 13 of 1 December 1986.

## **Chapter 6**

*Ammunition For Navy 20-MM/25-MM Aircraft Guns, Description, Characteristics, Safety, Maintenance and Packaging*, NAVAIR 11-1-119, Commander, Naval Air Systems Command, Washington, D.C., 30 September 1993.

*Ammunition Handling and Gun Drive System*, NAVAIR 11-95M61A1-2, Commander, Naval Air Systems Command, Washington, D.C., 1 March 1988.

*Gun System*, A1-F18AC-750-300, Commander, Naval Air Systems Command, Washington, D.C., 1 May 1986, Change 2 of 15 August 1997.

*Naval Ordnance Maintenance Management Program (NOMMP), OPNAVINST 8000.16*, Chief of Naval Operations, Washington, D.C., 1 September 1999.

*United States Navy Ordnance Safety Precautions*, NAVSEA OP 3347, Second Revision, Commander, Naval Sea Systems Command, Washington, D.C., 15 February 1972, Change 13 of 1 December 1986.

## **Chapter 7**

*Ammunition For Navy 20-MM/25-MM Aircraft Guns, Description, Characteristics, Safety, Maintenance and Packaging*, NAVAIR 11-1-119, Commander, Naval Air Systems Command, Washington, D.C., 30 September 1993.

*Ammunition Handling and Gun Drive System*, NAVAIR 11-95M61A1-2, Commander, Naval Air Systems Command, Washington, D.C., 1 March 1988.

*Linkless Ammunition Loading System, Consisting of Conveyor System, Loader Ammunition transporter, Drum Unload Assembly, Drum Loader Assembly*, NAVAIR 19-1-125, Commander, Naval Air Systems Command, Washington, D.C., 1 March 1988

*Linkless Ammunition Loading System A/K32K-7*, NAVAIR 19-1-269, Commander, Naval Air Systems Command, Washington, D.C., 15 June 1996, Change 1 of 30 September 1998.

*Maintenance Armament Systems F-14A and F-14A(PLUS) Aircraft*, NAVAIR 01-F14AAA-2-4-13, Commander, Naval Air Systems Command, Washington, D.C., 1 March 2000.

*Naval Ordnance Maintenance Management Program (NOMMP)*, OPNAVINST 8000.16, Chief of Naval Operations, Washington, D.C., 1 September 1999.

*United States Navy Ordnance Safety Precautions*, NAVSEA OP 3347, Second Revision, Commander, Naval Sea Systems Command, Washington, D.C., 15 February 1972, Change 13 of 1 December 1986.

## **Chapter 8**

*Aerial Tow Targets and Associated Equipment*, NAVAIR-28-10A-501, Commander, Naval Air Systems Command, Washington, D.C., 1 December 1993.

*Naval Ordnance Maintenance Management Program (NOMMP)*, OPNAVINST 8000.16, Chief of Naval Operations, Washington, D.C., 1 September 1999.

*United States Navy Ordnance Safety Precautions*, NAVSEA OP 3347, Second Revision, Commander, Naval Sea Systems Command, Washington, D.C., 15 February 1972, Change 13 of 1 December 1986.

## **Chapter 9**

*Airborne Weapons Support Equipment Description and Characteristics*, NAVAIR 11-140-24, Commander, Naval Air Systems Command, Washington, D.C., 1 September 1990.

*Approved Handling Equipment For Weapons and Explosives*, NAVSEA OP 2173, Volume 1, and NAVAIR 19-100-1.1, Commander, Naval Sea Systems Command, Washington, D.C., 15 January 1994, Change 2 of 1 September 1996.

*Approved Handling Equipment For Weapons and Explosives*, NAVSEA OP 2173, Volume 2, and NAVAIR 19-100-1.1, Commander, Naval Sea Systems Command, Washington, D.C., 15 January 1994, Change 2 of 1 September 1996.

*Handling Ammunition, and Explosives with Industrial Materials Handling Equipment (MHE)*, NAVSEA SW023-AH-WHM-010 First Revision, Commander, Naval Sea Systems Command, Washington, D.C., 15 September 1996.

*Naval Ordnance Maintenance Management Program (NOMMP)*, OPNAVINST 8000.16, Chief of Naval Operations, Washington, D.C., 1 September 1999.

*United States Navy Ordnance Safety Precautions*, NAVSEA OP 3347, Second Revision, Commander, Naval Sea Systems Command, Washington, D.C., 15 February 1972, Change 13 of 1 December 1986.

## **Chapter 10**

*Bomb Rack BRU-12/A*, NAVAIR 11-5C-23, Commander, Naval Air Systems Command, Washington, D.C., 1 May 1999.

*Bomb Rack BRU-14/A and BRU-15/A*, NAVAIR 11-5E-18, Commander, Naval Air Systems Command, Washington, D.C., 1 April 1999.

*Ejector Rack Assembly BRU-32/A, AW-382AC-750-000, Commander, Naval Air Systems Command, Washington, D.C., 1 March 1998.*

*Improved Multiple Ejector Rack (IMER) BRU-41/A, Improved Triple Ejector Rack (ITER) BRU-42/A, NAVAIR 11-75A-603, Commander, Naval Air Systems Command, Washington, D.C., 1 July 1999.*

*Multiple Ejector Rack (MER) and Triple Ejector Rack (TER), NAVAIR 11-75A-57, Commander, Naval Air Systems Command, Washington, D.C., 1 January 1996, Change 1 of 1 August 1996.*

*Naval Ordnance Maintenance Management Program (NOMMP), OPNAVINST 8000.16, Chief of Naval Operations, Washington, D.C., 1 September 1999.*

*Rack, Ejector Bomb BRU-10/B, and Models BRU-10A/B thru BRU-11A/A, NAVAIR 11-10C-24, Commander, Naval Air Systems Command, Washington, D.C., 1 February 1986, RAC 1 of 5 February 1987.*

*Rack, Ejector Bomb BRU-10/B and Models BRU-11/B, BRU-10/A, BRU-11/A, NAVAIR 11-10C-20, Commander, Naval air systems Command, 1 February 1986, RAC 1 of 5 February 1987.*

*Vertical Ejector Rack assembly BRU-33/A and BRU-33A/A, AW-382AC-750-010, Commander, Naval Air Systems Command, Washington, D.C., 15 December 1997.*

*United States Navy Ordnance Safety Precautions, NAVSEA OP 3347, Second Revision, Commander, Naval Sea Systems Command, Washington, D.C., 15 February 1972, Change 13 of 1 December 1986.*

## **Chapter 11**

*Airborne Weapons Packaging/Handling/Stowage (Shipboard), Volume I, NAVAIR 11-120A-1.1, Commander, Naval Air Systems Command, Washington, D.C., 15 July 1981, Change 10 of 30 March 1995.*

*Ammunition Afloat, NAVSEA OP 4, Fifth Revision, Commander, Naval Sea Systems Command, Washington, D.C., 15 February 1972, Change 19 of 1 August 1997.*

*Electromagnetic Radiation Hazards (U), (Hazards to Ordnance) (U), NAVSEA OP 3565/NAVAIR 16-1-529/NAVELEX 0967-LP-624-6010, Volume II, Part One, Sixth Revision, Commander, Naval Sea Systems Command, Washington, D.C., 15 July 1989, Change 9 of 1 April 1997.*

*Electromagnetic Radiation Hazards (U), (Hazards to Personnel, Fuel and Other Flammable Material) (U), NAVSEA OP 3565/NAVAIR 16-1-529/NAVELEX 0967-LP-624-6010, Volume 1, Fifth Revision, Commander, Naval Sea Systems Command, Washington, D.C., 1 November 1979, Change 2 of 15 July 1982.*

*Handling and Stowage of Air-Launched Weapons Aboard Amphibious Ships, SG420-B5-WHS-010, Commander Naval Sea Systems Command, Washington D.C., 30 November 1986, Change L of 1 October 1998.*

*Handling and Stowage of Naval Ordnance Aboard Ammunition Ships, NAVSEA OP 3206, Volume 1, Commander, Naval Sea Systems Command, Washington D.C., 15 November 1977, Change 2 of 15 September 1982.*

*Identification of Ammunition*, NAVSEA SW010-AF-ORD-010/NAVAIR 11-1-117, Commanders, Naval Sea Systems and Naval Air Systems Command, Washington, D.C., 1 September 1990, Change A of 1 July 1995.

*Magazine Sprinkling Systems*, S9522-AA-HBK-010, Revision 1, Commander, Naval Sea Systems Command, Washington, D.C., 15 April 1989, Change C of 31 March 1994.

*Naval Air Training Operational Procedures Standardization (LHA/LPH/LHD NATOPS)*, NAVAIR 00-80T-106, Chief of Naval Operations, Washington D.C., 1 August 1994.

*Naval Ordnance Maintenance Management Program (NOMMP)*, OPNAVINST 8000.16, Chief of Naval Operations, Washington, D.C., 1 September 1999.

*Naval Ships Technical Manual, Locks, Keys, and Hasps*, S9086-UK-STM-010/CH-604, Commander, Naval Sea Systems Command, Washington, D.C., 1 September 1986, Change 1 of 1 April 1987.

*Naval Ships Technical Manual Shipboard Ammunition Handling and Stowage*, S9086-XG-STM-010/CH-700, Commander, Naval Sea Systems Command, Washington, D.C., 28 September 1990, Change 1 of 31 July 1991.

*United States Navy Ordnance Safety Precautions*, NAVSEA OP 3347, Second Revision, Commander, Naval Sea Systems Command, Washington, D.C., 15 February 1972, Change 13 of 1 December 1986.

## **Chapter 12**

*Ammunition and Explosives Ashore Safety Regulations for Handling, Storing, Production, Renovation and Shipping*, NAVSEA OP 5, Volume 1, Sixth Revision, Commander, Naval Sea Systems Command, Washington, D.C., 1 March 1995, Change 4 of 1 November 1999.

*Conventional Weapons Handling Procedures Manual (Ashore) NATOPS*, NAVAIR 00-80T-103, Commander, Naval Air Systems Command, Washington, D.C., 15 June 1990.

*Naval Ordnance Maintenance Management Program (NOMMP)*, OPNAVINST 8000.16, Chief of Naval Operations, Washington, D.C., 1 September 1999.

*Navy Ammunition Logistic Code*, NAVAIR 11-1-116B, Commander, Naval Air Systems Command, and Commander, Naval Sea Systems Command, Washington, D.C., 1 October 1999.

*United States Navy Ordnance Safety Precautions*, NAVSEA OP 3347, Second Revision, Commander, Naval Sea Systems Command, Washington, D.C., 15 February 1972, Change 13 of 1 December 1986.

## **Chapter 13**

*Airborne Weapons/Stores Loading Manual, Navy Model F-14A/B/D Aircraft*, NAVAIR 01-F14AAA-75, Commander, Naval Air Systems Command, Washington, D.C., 1 July 1998, Change 2 of 15 February 2000.

*Airborne Weapons/Stores Loading Manual, Navy Model F/A-18A/B/C/D Aircraft 161353 and Up*, A1-F18AE-LWS-000, Commander, Naval Air Systems Command, Washington, D.C., 1 May 1996, Change 4 of 15 June 1999.



*Airborne Weapons/Stores Loading Manual, Navy Model P-3 Aircraft*, NAVAIR 01-75PA-75, Commander, Naval Air Systems Command, Washington, D.C., 1 June 1997.

*Airborne Weapons/Stores Loading Manual, Navy Model S-3 Aircraft*, NAVAIR 01-S3AAA-75, Commander, Naval Air Systems Command, Washington, D.C., 1 August 1996.

*Conventional Weapons Handling Procedures Manual (Ashore) NATOPS*, NAVAIR 00-80T-103, Commander, Naval Air Systems Command, Washington, D.C., 15 June 1990.

*Naval Ordnance Maintenance Management Program (NOMMP)*, OPNAVINST 8000.16, Chief of Naval Operations, Washington, D.C., 1 September 1999.

*United States Navy Ordnance Safety Precautions*, NAVSEA OP 3347, Second Revision, Commander, Naval Sea Systems Command, Washington, D.C., 15 February 1972, Change 13 of 1 December 1986.

#### **Chapter 14**

*Airborne Weapons/Stores Loading Manual, Navy Model F-14A/B/D Aircraft*, NAVAIR 01-F14AAA-75, Commander, Naval Air Systems Command, Washington, D.C., 1 July 1998, Change 2 of 15 February 2000.

*Airborne Weapons/Stores Loading Manual, Navy Model F/A-18A/B/C/D Aircraft 161353 and Up*, A1-F18AE-LWS-000, Commander, Naval Air Systems Command, Washington, D.C., 1 May 1996, Change 4 of 15 June 1999.

*Airborne Weapons/Stores Loading Manual, Navy Model P-3 Aircraft*, NAVAIR 01-75PA-75, Commander, Naval Air Systems Command, Washington, D.C., 1 June 1997.

*Airborne Weapons/Stores Loading Manual, Navy Model S-3 Aircraft*, NAVAIR 01-S3AAA-75, Commander, Naval Air Systems Command, Washington, D.C., 1 August 1996.

*Naval Ordnance Maintenance Management Program (NOMMP)*, OPNAVINST 8000.16, Chief of Naval Operations, Washington, D.C., 1 September 1999.

*United States Navy Ordnance Safety Precautions*, NAVSEA OP 3347, Second Revision, Commander, Naval Sea Systems Command, Washington, D.C., 15 February 1972, Change 13 of 1 December 1986.

#### **Chapter 15**

*Airborne Weapons/Stores Loading Manual, Navy Model F-14A/B/D Aircraft*, NAVAIR 01-F14AAA-75, Commander, Naval Air Systems Command, Washington, D.C., 1 July 1998, Change 2 of 15 February 2000.

*Airborne Weapons/Stores Loading Manual, Navy Model F/A-18A/B/C/D Aircraft 161353 and Up*, A1-F18AE-LWS-000, Commander, Naval Air Systems Command, Washington, D.C., 1 May 1996, Change 4 of 15 June 1999.

*Airborne Weapons/Stores Loading Manual, Navy Model P-3 Aircraft*, NAVAIR 01-75PA-75, Commander, Naval Air Systems Command, Washington, D.C., 1 June 1997.

*Airborne Weapons/Stores Loading Manual, Navy Model S-3 Aircraft*, NAVAIR 01-S3AAA-75, Commander, Naval Air Systems Command, Washington, D.C., 1 August 1996.

*Naval Ordnance Maintenance Management Program (NOMMP), OPNAVINST 8000.16*, Chief of Naval Operations, Washington, D.C., 1 September 1999.

*United States Navy Ordnance Safety Precautions*, NAVSEA OP 3347, Second Revision, Commander, Naval Sea Systems Command, Washington, D.C., 15 February 1972, Change 13 of 1 December 1986.

## **Chapter 16**

*Airborne Weapons/Stores Loading Manual, Navy Model F-14A/B/D Aircraft*, NAVAIR 01-F14AAA-75, Commander, Naval Air Systems Command, Washington, D.C., 1 July 1998, Change 2 of 15 February 2000.

*Airborne Weapons/Stores Loading Manual, Navy Model F/A-18A/B/C/D Aircraft 161353 and Up*, A1-F18AE-LWS-000, Commander, Naval Air Systems Command, Washington, D.C., 1 May 1996, Change 4 of 15 June 1999.

*Airborne Weapons/Stores Loading Manual, Navy Model P-3 Aircraft*, NAVAIR 01-75PA-75, Commander, Naval Air Systems Command, Washington, D.C., 1 June 1997.

*Airborne Weapons/Stores Loading Manual, Navy Model S-3 Aircraft*, NAVAIR 01-S3AAA-75, Commander, Naval Air Systems Command, Washington, D.C., 1 August 1996.

*Naval Ordnance Maintenance Management Program (NOMMP), OPNAVINST 8000.16*, Chief of Naval Operations, Washington, D.C., 1 September 1999.

## **Chapter 17**

*Naval Ordnance Maintenance Management Program (NOMMP), OPNAVINST 8000.16*, Chief of Naval Operations, Washington, D.C., 1 September 1999.

*Conventional Ordnance Stockpile Management, NAVSUP P-724*, First Revision, Naval Supply System Command, Mechanicsburg, Pa., 1 May 2000.

*United States Navy Ordnance Safety Precautions*, NAVSEA OP 3347, Second Revision, Commander, Naval Sea Systems Command, Washington, D.C., 15 February 1972, Change 13 of 1 December 1986.

# INDEX

## A

- Adapter boosters, 1-8
  - adapter booster M150/T46 (series), 1-9
  - M148/M148E1/T45 (series) adapter booster, 1-8
- Aerial targets, 8-6
  - AQM-37C missile target, 8-7
  - BQM-34A/S target system, 8-9
  - BQM-34E/T missile target, 8-9
  - BQM-74C/E target drone, 8-8
- Air-laid mines and torpedoes, 5-1
- Air-launched decoy, 8-10
- Aircraft bomb ammunition and associated components, 1-17
  - arming wire assemblies, 1-20
  - fin assemblies, 1-20
  - fuze charging circuit, 1-17
  - fuze wells, 1-17
  - general-purpose bombs and fin assemblies, 1-17
  - identification, 1-20
  - nose plugs, 1-20
  - shipping configuration, 1-17
  - suspension lugs, 1-17
- Aircraft general-purpose bombs, 13-1
  - bomb assembly crew, 13-1
  - bomb assembly tools and equipment requirements, 13-1
- Aircraft gun ammunition, 7-1
  - classification, 7-1
- Aircraft rocket launchers, 2-14
  - 2.75-inch rocket launchers, 2-14
  - 2.75-inch (series) launchers, 2-18
  - 5.0-inch rocket launchers, 2-14
  - 5.0-inch (series) launchers, 2-17
  - breaker switch, 2-16
  - fairings, 2-16
  - intervalometer, 2-16
  - mode selector switch, 2-16
  - RF/Thermal barriers, 2-16
- Aircraft rockets, 2-1
- Aircraft-laid mines, 5-6
  - classifications, 5-7
- Aircraft-launched torpedo configurations, 5-2
- Ammunition handling, 11-15
  - hoists, 11-16
  - weapons elevators, 11-18
- Ammunition identification, 12-1
  - ammunition lot number, 12-4
  - Department of Defense Identification Code (DODIC) and Navy Ammunition Logistic Code (NALC), 12-3
  - lettering, 12-3
  - mark and modification designation, 12-3
  - marking, 12-3
  - nonservice ammunition, 12-1
  - service ammunition, 12-1
- Ammunition lot/location card, 17-32
- Ammunition master stock record card, 17-29

- Ammunition requisitioning and turn-in procedures, 17-2
  - exception requisitioning by naval message, 17-12
  - message requisitioning by DAAS, 17-9
  - requisition document preparation, 17-5
  - requisition lead time, 17-13
  - requisitioning by fleet units, 17-12
  - requisitioning procedures for aircraft squadrons, 17-13
  - stock levels, 17-12
- Ammunition serial/location card, 17-32
- Ammunition storage ashore for advanced bases, 12-13
  - administration and personnel areas, 12-13
  - disposal areas, 12-13
  - enemy ammunition areas, 12-13
  - magazine areas, 12-13
  - renovation areas, 12-13
- Ammunition stowage, 11-7
  - ammunition stowage spaces, 11-7
- Ammunition turn-in procedures, 17-17
  - turn-in of ammunition details, 17-17
- AN/ALE-29A countermeasures chaff dispensing set, 10-16
- AN/ALE-37A countermeasures chaff dispensing set, 10-20
- Arming safety switch Mk 122 Mod 0, 1-11

## B

- Beams, 9-9
- Bomb ejector racks, 10-3
  - BRU-11A/A bomb ejector rack, 10-4
  - BRU-32/A bomb ejector rack, 10-5
  - BRU-33/A and BRU-33A/A vertical ejector rack, 10-5, 10-6
  - Improved multiple ejector rack BRU-41/A (IMER) and improved triple ejector rack BRU-42/A (ITER), 10-6
- Bomb hoists, 9-14
- Bomb loading and unloading procedures, 14-8
- Bomb racks, 10-1
  - Aero 1A adapter assembly, 10-1
  - BRU-12/A bomb rack, 10-1
  - BRU-14/A bomb rack, 10-1
  - BRU-15/A bomb rack, 10-3
  - Penguin missile launch adapter, 10-1
- Bombs, fuzes, and associated components, 1-1

## C

- Carriers, 9-4
- CBU-78/B gator, 1-36
- Certification board, 11-5
  - responsibilities, 11-7
- Conical fin, 1-23
- Conventional ammunition integrated management system, 17-2

Conveyor system, 7-12  
  chute support assembly, 7-12  
  chutes, 7-12  
  drum drive assembly and flexible drive shaft,  
    7-14  
  entrance unit assembly, 7-14  
  exit unit assembly, 7-14  
  interface unit assembly, 7-14

## D

Decoying devices, 4-11  
Destructors, 1-32  
Dispensers and ejectors, 10-12  
  SUU-25F/A dispenser, 10-13  
Drum loader assembly, 7-12  
Drum unload assembly, 7-12

## E

Electrical fuzes, 1-2, 1-10  
Environmental control systems, 11-11  
Explosives driver, 12-20

## F

F-14 aircraft weapons systems, 15-1  
  air combat maneuver (ACM) panel, 15-1  
  armament safety override switch, 15-4  
  control stick, 15-4  
  decoy dispensing systems, 15-5  
  gun rate switch, 15-5  
  M61A1 20-MM automatic gun fire control  
    system, 15-5  
F/A-18 aircraft, 15-8  
  armament computer, 15-18  
  armament safety override switch, 15-16  
  jettison system, 15-18  
  M61A1 20-MM gun system, 15-20  
  master arm control panel assembly, 15-16  
  Walleye guided weapon system, 15-19  
F/A-18 gun system installation, 6-15  
F-14 gun system installation, 6-16  
Firing components, 5-10  
  acoustic, 5-10  
  magnetic type, 5-10  
  pressure, 5-10  
FMU-139 (series) electronic bomb fuze, 1-11  
FMU-140/B dispenser proximity fuze, 1-16  
FMU-143E/B electric tail fuze, 1-11  
Full-scale practice bombs, 1-38  
  laser guided training round (LGTR), 1-40  
Full-scale practice bombs (BDU-45), 13-14  
  guided-bomb unit (GBU) assembly, 13-15  
Fuze terminology, 1-1  
Fuzes, 2-9  
  acceleration-deceleration fuzes, 2-11  
  impact firing fuzes, 2-10  
  mechanical time fuzes, 2-10  
  proximity fuzes, 2-12

## G

Guided bomb units, 1-30  
  airfoil group, 1-30  
  GBU-12, GBU-16, and GBU-10, 1-30  
  GBU-24B/B, 1-31  
Guided missile launchers, 3-20  
  LAU-115, 3-24  
  LAU-116/A, 3-25  
  LAU-117/A, 3-26  
  LAU-118/A, 3-26  
  LAU-127, 3-29  
  LAU-132, 3-30  
  LAU-7/A, 3-20  
  LAU-92/A, 3-26  
  LAU-93/A, 3-28

## H

Hand-manipulated signaling devices, 4-1  
  Mk 13 Mod 0, 4-2  
  pyrotechnic pistols, 4-1  
  Mk 79 Mod 0, 4-2  
Hazards of electromagnetic radiation to ordnance  
(HERO), 11-24  
  HERO-safe ordnance, 11-25  
  HERO-susceptible ordnance, 11-25  
  HERO-unsafe ordnance, 11-25  
HERO emission control (EMCON) bill, 11-32  
Hoisting bars, 9-6

## I

Identification, 7-5  
  color coding, 7-5  
  lettering, 7-5  
Intermediate maintenance, 6-18

## J

Joint direct attack ammunition (JADM), 1-31  
Joint standoff weapon (JSOW), 15-19

## L

Lightning protection systems, 12-17  
Linkless ammunition loading system (MHU series),  
  7-10  
  components, 7-10  
Linkless ammunition loading system (A/E 32K-7),  
  7-17  
Loaders, 9-34  
LUU-2B/B, 4-5

## M

M61A1 automatic gun, 6-1  
  barrels, 6-1  
  breech-bolt assembly, 6-3  
  clearing sector assembly, 6-3

- M61A1 automatic gun—Continued
    - clearing solenoid assembly, 6-3
    - firing contact assembly, 6-3
    - guide bar, 6-3
    - lubricator assembly, 6-6
    - mid-barrel clamp assembly, 6-2
    - muzzle clamp assembly, 6-2
    - rear housing assembly, 6-5
    - recoil adapters, 6-3
    - rotor assembly, 6-5
  - M904E2/E3/E4 mechanical impact nose fuze, 1-3
    - arming delays, 1-4
    - delay element, 1-4
    - functional description, 1-6
    - physical description, 1-4
  - Magazine and magazine area security, 12-20
  - Magazine inspection, 11-16
    - daily visual inspection, 11-16
    - magazine temperature log, 11-18
  - Magazine/magazine area inspections, 12-20
    - frequency of inspections, 12-21
    - general inspection requirements, 12-21
    - report of inspections, 12-21
    - temperature control considerations, 12-21
  - Magazine security, 11-19
  - Magazines, 12-4
    - keyport, 12-5
  - Mechanical fuzes, 1-1
  - Mine components, 5-8
  - Missile classification, 3-1
    - CATMs, 3-2
    - DATMs, 3-2
    - NATMs, 3-2
    - PGWs, 3-2
  - Mk 25 Mods 2 and 3 marine location marker, 4-9
    - launching methods, 4-11
  - Mk 339 Mod 1 mechanical time fuze, 1-6
    - functional description, 1-10
    - physical description, 1-9
  - Mk 376, 1-15
    - functional operation, 1-16
    - Mk 31 safety device, 1-16
  - Mk 43 Mod 0 target detecting device, 1-20
  - Mk 58 Mod 1 marine location marker, 4-12
    - launching methods, 4-12
  - Motors, 2-2
    - igniter, 2-3
    - inhibitors, 2-2
    - motor tube, 2-2
    - nozzle and fin assemblies, 2-6
    - propellants, 2-2
    - stabilizing rod, 2-3
- O**
- Operational aircraft mines, 5-11
    - Mk 55 mine, 5-11
    - Mk 62, 63, and 64 quickstrike mines, 5-13
    - Mk 65 quickstrike mine, 5-13
  - Ordnance certification, 11-1
    - definitions, 11-1
    - revocation of certification, 11-4
  - Organizational maintenance, 6-18
- P**
- P-3 aircraft, 15-22
    - bomb bay configuration, 15-23
    - bomb bay system, 15-23
    - weapon system, 15-23
  - Parachute packs, 5-10
  - Paveway II, 13-15
  - Practice bomb signal cartridges, 4-13
    - CXU-3A/B, 4-13
    - CXU-4/B, 4-13
    - Mk 4 Mod 3 signal, 4-13
  - Practice bombs, 1-32
  - Principles of rocket propulsion, 2-1
  - Projectiles, 7-2
    - fuze M505A3 point-detonating (PD), 7-2
    - M220 target practice-tracer cartridge, 7-3
    - M242 high-explosive incendiary-tracer cartridge, 7-5
    - M254 dummy cartridge, 7-2
    - M51A1B1/M51A2 dummy cartridges, 7-2
    - M54A1 high-pressure test cartridge, 7-3
    - M55A2 target practice cartridge, 7-3
    - M56A3 high-explosive incendiary cartridge, 7-3
    - tracer, 7-2
  - Pyrotechnics, 4-1
- Q**
- Quantity-distance (Q-D) requirements, 12-5
- R**
- Record keeping and reporting, 8-10
    - Target Discrepancy Book, 8-10
    - target expenditure reporting, 8-13
    - target logbooks, 8-10
    - Target Performance Reports, 8-13
  - Rocket and rocket fuze terminology, 2-1
  - Rocket components, 2-2
    - rocket assembly procedures, 2.75-inch, 13-23
    - rocket assembly procedures, 5.0-inch, 13-21
  - ROLMS, 17-1
- S**
- S-3 aircraft, 15-28
    - bomb bay system, 15-29
    - S-3 configurations, 15-29
    - search store system, 15-29
  - Service guided missiles, 3-7
    - AGM-65E, 3-14
    - AGM-84, 3-9
    - AGM-88A, 3-15
    - AIM-119B, 3-16
    - AIM-120, 3-13
    - AIM-54C, 3-14
    - AIM-7F/M, 3-8
    - AIM-9, 3-10

- Service rocket assemblies, 2-13
  - 2.75-inch FFAR and LSFFAR, 2-13
  - 5.0-inch FFAR, 2-13
- Skids, weapons transporters, and associated adapters, 9-16
- Slings, 9-12
- Snakeye fin assemblies, 1-23
  - BSU-85/B air inflatable retarder, 1-26
  - BSU-86/B bomb fin, 1-29
  - MAU-91A/B fin assembly, 1-24
  - Mk 15 and Mods Snakeye fin assembly, 1-24
- Sprinkler and alarm systems, 11-12
- Stands, 9-5
- Storage compatibility groups, 12-7
- Subcaliber practice bombs, 1-38
  - BDU-48 practice bomb, 1-38
  - Mk 76 Mod 5 practice bomb, 1-38
- SUU-25 flare dispenser, 13-25

## T

- Test equipment, 16-1
  - AN/ALM-225, 16-4
  - AN/ALM-70A, 16-4
  - AN/ASM-464, 16-6
  - AN/AWM-42A, 16-3
  - AN/AWM-54, 16-2
  - AN/AWM-92, 16-10
  - AN/DSM-77, 16-6
  - multimeters, 16-1
  - TS-3279/ASM, 16-6
  - TS-3519D/DSM, 16-10
  - TS-4142/AWM-23, 16-6
  - TTU-304/E, 16-3
- Tow cables and associated equipment, 8-1

- Towed targets, systems, and equipment, 8-1
  - A/A47U-3A and A/A47U-4 tow target reeling machine-launcher systems, 8-3
  - rigid tow target, 8-2
  - textile tow targets, 8-2
- Trailers, 9-32
- Transaction reporting, 17-18
  - serial/lot item tracking (SLIT), 17-22
  - transaction reporting procedures, 17-18
- Transaction reports, 17-23
  - corrected reports, 17-27
  - gains and losses by inventory reports, 17-24
  - receipts and issues for further transfer reports, 17-25
  - reconciliation reports, 17-26
- Trucks, 9-26

## W

- Walleye guided weapon, 3-17
  - Walleye I, 3-17
  - Walleye I ERDL, 3-18
  - Walleye II, 3-18
  - Walleye II ERDL, 3-18
- Warheads, 2-5
  - AT/APERS warhead, 2-7
  - flare warheads, 2-9
  - flechette warheads, 2-8
  - GP warhead, 2-7
  - HE-FRAG warheads, 2-6
  - practice warheads, 2-9
  - smoke warheads, 2-9
- Weapons onload/offload, 11-24
  - explosive anchorage, 11-24
  - pier side, 11-23
  - transfer of ammunition at sea, 11-24

---

---

# *Assignment Questions*

---

---

**Information:** The text pages that you are to study are provided at the beginning of the assignment questions.





# ASSIGNMENT 1

Textbook Assignment: "Bombs, Fuzes, and Associated Components," Pages 1-1 through 1-42.

---

- 1-1. The amount of time or vane revolutions needed for the firing train to be aligned after a bomb is released is known by which of the following terms?
1. Arming time
  2. Functioning time
  3. Nondelay time
  4. Delay time
- 1-2. The action that causes a fuze to detonate before impact when any substantial object is detected at a predetermined distance from the fuze is known by what term?
1. Proximity
  2. Delay
  3. Instantaneous
  4. Functioning time
- 1-3. The time required for a fuze to detonate after impact or a preset time is known by what term?
1. Arming time
  2. Impact delay time
  3. Preset delay time
  4. Functioning time
- 1-4. What term applies when the functioning time of a fuze is longer than 0.0005 second?
1. Instantaneous
  2. Nondelay
  3. Delay
  4. Proximity
- 1-5. In its simplest form, which of the following devices is like the hammer and primer used to fire a rifle or pistol?
1. An electrical fuze
  2. A capacitor
  3. A mechanical fuze
  4. A resistor
- 1-6. What term applies when the functioning time of a fuze is 0.0003 second or less?
1. Instantaneous
  2. Nondelay
  3. Delay
  4. Proximity
- 1-7. The functioning delay of an electrical fuze is initiated by what means?
1. Electrically only
  2. Mechanically only
  3. Electromechanically
  4. Hydraulically
- 1-8. What term applies when the functioning time of a fuze is 0.0003 to 0.0005 second?
1. Instantaneous
  2. Nondelay
  3. Delay
  4. Proximity
- 1-9. A fuze that does NOT have the elements of its firing train in the proper position for firing until the fuze is fully armed is known as what type of fuze?
1. A detonator-safe fuze
  2. A fail-safe fuze
  3. A shear-safe fuze
  4. A armed-safe fuze
- 1-10. The distance along the trajectory that a bomb travels from the releasing aircraft in an unarmed condition is known by which of the following abbreviations?
1. EEA
  2. VT
  3. SST
  4. SAT
- 1-11. In reference to their primary operating principles, fuzes are normally divided into what two general classes?
1. Pneumatic and mechanical
  2. Active and static
  3. Electrical and pneumatic
  4. Mechanical and electrical

- 1-12. To help make carrier operations safe, a bomb that is accidentally released during an aircraft's landing or takeoff will NOT normally have sufficient air travel, velocity, or time to fully arm the fuze because of what fuze feature?
1. Pressure arming
  2. Delay arming
  3. Fail-safe arming
  4. Impact arming
- 1-13. The two observation windows of an M904 series fuze are used for what purpose?
1. To determine the safe condition only
  2. To determine the safe/armed condition
  3. To determine if the fuze is armed
  4. To determine the time setting
- 1-14. You can determine if a fuze is safe or armed by what means?
1. By physical evidence of arming
  2. By external evidence of arming
  3. By physical evidence of safing
  4. By external evidence of safing
- 1-15. The release speeds for arming an M904 fuze fall into which of the following ranges?
1. 100 to 350 knots
  2. 135 to 400 knots
  3. 150 to 415 knots
  4. 170 to 525 knots
- 1-16. Normally, electrical fuzes are charged after which of the following situations occur?
1. The bomb has been released from the rack or shackle
  2. The bomb has been electrically disconnected from the aircraft
  3. The pilot has initiated the charging circuit
  4. The arming wire has pulled from the pop-out pin
- 1-17. For information on the fuzes currently used by the Navy, you should refer to which of the following NAVAIR publications?
1. 11-1F-2 only
  2. 11-5A-17 only
  3. 11-1F-2 and 11-5A-17
  4. 16-1-529
- 1-18. At impact, what component drives the striker body and firing pin down into the M9 delay element of an M904 fuze?
1. The forward part of the fuze body
  2. The booster
  3. The arming vane
  4. The igniter
- 1-19. The M904 series fuze is designed to be used in which of the following configurations?
1. The nose of Mk 80 series LDGP bombs only
  2. The tail of Mk 80 series LDGP bombs only
  3. The nose or tail of Mk 80 series LDGP bombs
  4. The nose of rockets
- 1-20. An M904 series mechanical fuze can be configured for (a) what arming delay times in (b) what time increments?
1. (a) 4 to 20 sec  
(b) 2-sec increments
  2. (a) 2 to 18 sec  
(b) 4-sec increments
  3. (a) 4 to 20 sec  
(b) 4-sec increments
  4. (a) 2 to 18 sec  
(b) 2-sec increments
- 1-21. Other than non-delay, what functioning delay times (in seconds) are provided by the M9 delay element?
1. 0.01, 0.025, 0.05, 0.1, and 0.25
  2. 0.05, 0.10, 0.15, 0.20, and 0.25
  3. 0.10, 0.20, 0.25, 0.30, and 0.35
  4. 0.01, 0.025, 0.10, 0.15, and 0.20
- 1-22. What mechanical fuze should be used with the thermally protected Mk 80 series general-purpose bomb?
1. M904E1
  2. M904E2
  3. M904E3
  4. M904E4
- 1-23. To set the 2- and 4-second arming delay times in the M904 mechanical time fuze, you should take which of the following actions?
1. Remove the stop screw
  2. Depress the index-locking pin
  3. Rotate the knurled arming delay knob until the white index line is aligned with the desired arming delay time
  4. Each of the above

- 1-24. You should NEVER try to reinstall the stop screw on an M904 mechanical time fuze in which of the following arming delay settings?
1. 2- and 4-sec
  2. 6- and 8-sec
  3. 12- and 14-sec
  4. 16- and 18-sec
- 1-25. Which of the following conditions pertain to the M904 mechanical time fuze?
1. Safe and fully armed only
  2. Partially armed and fully armed only
  3. Safe, partially armed, and fully armed
  4. Safe, armed, and unarmed
- 1-26. When the M904E4 mechanical time fuze is partially armed, what indication should you see in the upper observation window?
1. A red background with a white number 18
  2. A green background with no numbers visible
  3. A green background with a white number 18
  4. A red background with no numbers visible
- 1-27. At what point is the firing train in an M904 mechanical time fuze fully aligned?
1. When the fuze impacts the target
  2. When the functioning delay time elapses
  3. When the preselected arming delay period elapses
  4. When the arming vane revolutions are completed
- 1-28. Mk 339 Mod 1 mechanical time fuze is used in which of the following types of ordnance?
1. Fire bombs
  2. Dispenser weapons
  3. General-purpose bombs
  4. Underwater weapons
- 1-29. On a Mk 339 Mod 1 mechanical time fuze, what is the (a) factory preset primary functioning delay time and (b) optional functioning delay time?
1. (a) 2.1 sec (b) 4.0 sec
  2. (a) 1.2 sec (b) 4.0 sec
  3. (a) 2.1 sec (b) 0.4 sec
  4. (a) 1.2 sec (b) 0.4 sec
- 1-30. You are checking the EEA of newer models of a Mk 339 Mod 1 mechanical time fuze. The fuze is considered armed if you see which of the following indications in the safe/arm indicator?
1. An intact green foil
  2. A green foil pierced by an indicator pin
  3. A red background in the lower observation window
  4. A red background in the upper observation window
- 1-31. The Navy is currently using which of the following adapter boosters?
1. M148/T45E only
  2. M148E1 only
  3. M150/T46 only
  4. M148/T45E, M148E1, and M150/T46
- 1-32. What adapter booster is used with a thermally protected bomb?
1. M148/T45
  2. M148E1
  3. M150/T46
  4. M151
- 1-33. The Mk 376 electric fuzes provides an all-electric capability for which of the following weapons?
1. Fire bombs
  2. Airborne rockets
  3. Mk 80 series bombs
  4. Mk 20 and Mods cluster bombs
- 1-34. Arming delay times for the Mk 376 fuze is automatically selected by what means?
1. A gag rod
  2. A pop-out pin
  3. A decelerometer
  4. A Mk 31 safety device
- 1-35. A FMU-143/B tail fuze is used with what weapon?
1. GBU-24B/B
  2. GBU-12
  3. CBU-78
  4. CBU-100

- 1-36. If deceleration is NOT sensed by a Mk 31 safety device within 2.6 seconds after a free-fall weapon release, the fuze will arm in what maximum number of seconds?
1. 1.6 sec
  2. 2.6 sec
  3. 5.5 sec
  4. 10.0 sec
- 1-37. What device provides airburst capability for a bomb in both the unretarded and retarded delivery mode?
1. Mk 43 Mod 0
  2. Mk 34 Mod 0
  3. Mk 46 Mod 0
  4. Mk 176 Mod 1
- 1-38. What is the alternate method for initiating a Mk 43 TDD?
1. Electrical
  2. Manual
  3. Proximity
  4. Mechanical
- 1-39. What device prevents Electromagnetic radiation from entering the fuze circuits of a Mk 80 series bomb?
1. A mechanical nose fuze
  2. An electric tail fuze
  3. A Mk 122 arming safety switch
  4. A bomb rack safety pin
- 1-40. In a low-drag, general-purpose bomb, what percentage of the total weight is composed of explosives?
1. 45%
  2. 55%
  3. 60%
  4. 70%
- 1-41. What series of low-drag, general-purpose bombs are currently in use in the Navy today?
1. Mk 100
  2. Mk 80
  3. Mk 50
  4. Mk 40
- 1-42. An FMU-140/B proximity fuze will function at what minimum altitude?
1.  $300 \pm 5$  ft
  2.  $300 \pm 25$  ft
  3.  $325 \pm 5$  ft
  4.  $325 \pm 25$  ft
- 1-43. A bomb body is shipped with a plastic plug installed in the nose and tail fuze wells to prevent what occurrence?
1. The explosive filler from spilling out
  2. Damage to the internal threads only
  3. Moisture from entering the fuze wells only
  4. Damage to the internal threads and moisture from entering the fuze wells
- 1-44. What factor determines the number of bombs that are loaded on each metal pallet?
1. The size of the pallet
  2. The quantity of bombs ordered
  3. The size of the bombs
  4. The type of bomb hoist used
- 1-45. What total number of Mk 83 general-purpose bombs can be placed on a metal pallet?
1. One
  2. Two
  3. Three
  4. Four
- 1-46. When electric fuzing is used, a path for the charging current from the fuze-charging receptacle to the forward and aft fuze wells is provided by which of the following mechanisms?
1. The fuze-charging safety switch
  2. The forward and aft charging tubes
  3. The electronic circuit device
  4. The electric fuze wire harness
- 1-47. A thermally protected general-purpose bomb is identified by which of the following markings?
1. Two yellow bands around the nose
  2. Two white bands around the nose
  3. Two yellow bands around the tail
  4. Two white bands around the tail
- 1-48. Arming wire assemblies are used for what purpose?
1. To initiate the arming sequence of mechanical fuzes
  2. To initiate the arming sequence of electrical fuzes
  3. To actuate the fins on a Snakeye fin assembly
  4. To maintain ordnance components in a safe condition until the actual release of a weapon from an aircraft

- 1-49. Premature or accidental withdrawal of an arming wire from a component is prevented by the installation of which of the following devices?
1. C clamps
  2. Metal crimps
  3. Safety clips
  4. Plastic retainers
- 1-50. A conical fin assembly is used with what delivery mode?
1. High altitude
  2. Unretarded only
  3. Retarded only
  4. Unretarded or retarded
- 1-51. What is the basic difference between the types of conical fins?
1. Color
  2. Weight
  3. Markings
  4. Physical size
- 1-52. A conical fin assembly is attached to the aft end of a bomb by what means?
1. Cam locks
  2. Setscrews
  3. A quick-release clamp
  4. A quick-release adapter
- 1-53. To prevent damage to an aircraft from ricocheting bombs or fragments during high-speed, low-altitude delivery, which of the following fin assembly configurations should be used with LDGP bombs?
1. Conical, retarded mode
  2. Snakeeye, retarded mode
  3. Conical, unretarded mode
  4. Snakeeye, unretarded mode
- 1-54. The MAU-91 fin is attached to a Mk 83 bomb by what means?
1. Nine setscrews
  2. An ADU-320/B fin adapter
  3. An MAU-93A/A fin adapter
  4. A quick-release band
- 1-55. MAU-91A/B and B/B Snakeeye fin assemblies are used on which of the following LDGP bombs?
1. Mk 81
  2. Mk 82
  3. Mk 83
  4. Mk 84
- 1-56. To provide the pilot with in-flight selection capability, the swivel loop of a Snakeeye fin release wire is connected to what component?
1. The nose arming solenoid
  2. The arming wire retainer
  3. The arming wire guide tube
  4. The tail arming solenoid
- 1-57. Which of the following LDGP bombs can be configured as laser-guided bombs?
1. Mk 82 only
  2. Mk 83 only
  3. Mk 84 only
  4. Mk 82, Mk 83, and Mk 84
- 1-58. The computer-control group (CCG) of a laser guidance kit is used for what purpose?
1. To detect laser-illuminated targets only
  2. To provide an attachment point for the guidance fins only
  3. To detect laser-illuminated targets and to provide an attachment point for the guidance fins
  4. To provide an attachment point for the wing assemblies
- 1-59. A GBU-24B/B will penetrate how many feet of reinforced concrete?
1. 1 to 2 ft
  2. 2 to 3 ft
  3. 3 to 4 ft
  4. 4 to 6 ft
- 1-60. The total amount of thermal coating missing from a GBU-24B/B must NOT exceed what amount?
1. 40 sq. in.
  2. 20 sq. in.
  3. 15 sq. in.
  4. 25 sq. in.
- 1-61. DSTs are identified by what color stripes?
1. Brown
  2. Yellow
  3. Blue
  4. White
- 1-62. What kit should you use to configure an LDGP bomb to a DST?
1. Mk 73
  2. Mk 74
  3. Mk 75
  4. Mk 76

- 1-63. Which of the following components is required with a Mk 42 firing mechanism?
1. A battery
  2. An arming cable
  3. An arming solenoid
  4. A delay element
- 1-64. A Mk 20 bomb cluster is designed for use against which of the following targets?
1. Aircraft
  2. Personnel
  3. Armored vehicles
  4. Light material
- 1-65. What total number of bomblets is contained in the Mk 20 bomb clusters?
1. 247
  2. 717
  3. 274
  4. 771
- 1-66. What fuze is used with the Mk 20 bomb cluster?
1. Mk 333 Mod 1
  2. Mk 346 Mod 0
  3. Mk 339 Mod 1
  4. Mk 393 Mod 0 or Mod 1
- 1-67. The spring-loaded fins attached to the tail cone assembly of a Mk 7 bomb dispenser are secured in the closed position by which of the following retaining devices?
1. A fin release band assembly
  2. A safety cotter pin
  3. A fin release wire
  4. A Fahnstock clip
- 1-68. What total number of BLU-91 mines are contained in a CBU-78 Gator?
1. 35
  2. 40
  3. 45
  4. 60
- 1-69. A Mk 339 Mod 1 mechanical time fuze is used with what modification of a Mk 7 bomb dispenser?
1. Mod 1
  2. Mod 2
  3. Mod 3
  4. Mod 0
- 1-70. What modification of a Mk 7 bomb dispenser is thermally protected?
1. Mod 1
  2. Mod 6
  3. Mod 3
  4. Mod 4
- 1-71. The Mk 339 Mod 1 mechanical time fuzes has what (a) primary or (b) optional time settings?
1. (a) 1.2 (b) 3.0
  2. (a) 2.2 (b) 3.0
  3. (a) 1.2 (b) 4.0
  4. (a) 2.2 (b) 4.0
- 1-72. When both the primary and optional arming wires are pulled from the Mk 339 Mod 1 mechanical time fuze, the fuze will function within what time?
1. The optional time
  2. The primary time
  3. The delay time
  4. The ground-impact time
- 1-73. When a tail fuze is NOT being used in a Mk 80 series practice bomb, which of the following bomb spotting charge adapters should you install to provide a visual indication of the weapon/target impact?
1. Mk 89 Mod 0
  2. Mk 90 Mod 0
  3. Mk 91 Mod 0
  4. Mk 92 Mod 0
- 1-74. What type of ammunition causes the most injuries to personnel?
1. Rockets
  2. Missiles
  3. Aircraft bombs
  4. Practice bombs

## ASSIGNMENT 2

Textbook Assignment: "Aircraft Rockets and Rocket Launchers," Pages 2-1 through 2-21.

---

- 2-1. The history of rockets covers a span of what total number of centuries?
1. 3 centuries
  2. 5 centuries
  3. 7 centuries
  4. 8 centuries
- 2-2. Acceleration and deceleration apply to rocket fuzes that use gear timing device in conjunction with what principle?
1. The setback principle
  2. The proximity principle
  3. The association principle
  4. The thrust principle
- 2-3. What initiating device ignites the propellant grain of a rocket?
1. The motor
  2. The igniter
  3. The stabilizing rod
  4. The venturi-type nozzle
- 2-4. A rocket misfire that later fires from delayed ignition is known by which of the following terms?
1. Setback
  2. Ignition deficit
  3. Hangfire
  4. Propellant inhibitive
- 2-5. A situation in which a rocket does NOT fire when the firing circuit is energized is known by which of the following terms?
1. Misfire
  2. Setback
  3. Hangfire
  4. Deflagrate
- 2-6. What component of a rocket contains the propellant, igniter, and nozzle?
1. The crosshead
  2. The nozzle insert
  3. The contact disc
  4. The motor
- 2-7. The solid fuel used in a rocket motor is known by which of the following terms?
1. Thrust inducer granules
  2. Propellant grain
  3. Liquid propellant
  4. Acceleration modules
- 2-8. What term applies to a safety feature designed into a fuze with a gear timing device?
1. Ignition deflector
  2. Hangfire stabilizer
  3. Setback
  4. Retard protector
- 2-9. The gases produced when a rocket motor propellant burns create what type of force?
1. Thrust
  2. Lift
  3. Thermal
  4. Molecular
- 2-10. Rockets are propelled by what means?
1. The expulsion of gases
  2. An electrical discharge
  3. A jet engine
  4. A turbo fan engine
- 2-11. Presently all rocket motor tubes are made from what material?
1. Aluminum
  2. Steel
  3. Fiberglass
  4. Titanium
- 2-12. With a venturi nozzle design, the gas pressure inside a rocket motor provides approximately what percentage of the force required to move the container forward?
1. 10%
  2. 30%
  3. 50%
  4. 70%

- 2-13. A complete round of service rocket ammunition consists of which of the components?
1. The motor only
  2. The warhead only
  3. The fuze only
  4. The motor, warhead, and fuze
- 2-14. Which of the following rocket components is/are a part of the motor?
1. The fuze
  2. The propellant only
  3. The nozzle and fin assembly only
  4. The propellant and nozzle and fin assembly
- 2-15. An internal burning, star perforation, double base, solid propellant is contained in which of the following rocket motors?
1. 2.75 in. only
  2. 5.0 in. only
  3. 2.75 in. and 5.0 in
  4. 6.25 in.
- 2-16. To restrict or control burning, inhibitors are used on what areas of the propellant grain?
1. The aft end only
  2. The forward end only
  3. The outer diametrical surface only
  4. The aft end, the forward end, and the outer diametrical surface
- 2-17. If inhibitors were NOT used on rocket motors that use propellant grain, what action would occur?
1. Erosive burning
  2. Excessive pressure
  3. An increased burning rate
  4. A decreased burning rate
- 2-18. The igniter is in what location on a 2.75-inch motor?
1. The nozzle fin assembly
  2. The forward end of the motor
  3. The nozzle plate
  4. The fin-actuating piston
- 2-19. Inhibitors cause the propellant grain to burn in which of the following directions?
1. Center to outward only
  2. Forward to aft only
  3. Center to outward and forward to aft
  4. Aft to forward
- 2-20. What rocket component prevents an unstable burning of the propellant grain?
1. The molded plastic cellulose
  2. The stabilizing rod
  3. The fin nozzle assembly
  4. The spirally wrapped ethyl cellulose tape
- 2-21. What rocket component ensures that the propellant grain ignites simultaneously forward and aft?
1. The stabilizing rod
  2. The igniter
  3. The inhibitor
  4. The front nozzle assembly
- 2-22. The igniter in a 5.0-inch rocket motor contains what total number of squibs?
1. One
  2. Two
  3. Three
  4. Four
- 1-23. A Mk 66 nozzle assembly consists of all EXCEPT which of the following items?
1. A carbon insert
  2. A weather seal
  3. A fin assembly
  4. An igniter
- 2-24. When NOT installed in a launcher, what device holds the spring-loaded fins of a Mk 71 rocket motor in the closed position?
1. The fin safety pin
  2. The fin safety strap
  3. The fin retainer band
  4. The fin retainer lock
- 2-25. Rocket warheads are classified in which of the following ways?
1. Flare only
  2. Flechette only
  3. Smoke only
  4. Flare, flechette, and smoke
- 2-26. Information pertaining to specific rocket components is contained in which of the following NAVAIR manuals?
1. 11-5E-18
  2. 11-15-7
  3. 11-75A-92
  4. 16-1-529



- 2-27. When required, base fuzes are assembled in high-explosive warheads at which of the following locations?
1. The factory
  2. The Naval Aviation Depot
  3. The station weapons department
  4. The organizational weapons department
- 2-28. HE-FRAG warheads are used against which of the following targets?
1. Bunkers
  2. Runways
  3. Bridges
  4. Personnel
- 2-29. A warhead designated WDU-4A/A is of (a) what type and (b) fits what diameter rocket?
1. (a) Smoke (b) 5.0 in.
  2. (a) Flechette (b) 2.75 in.
  3. (a) Flechette (b) 5.0 in.
  4. (a) Smoke (b) 2.75 in.
- 2-30. What type of HE-FRAG warhead is used with a 5.0-inch rocket?
1. Mk 1 Mod 0
  2. Mk 32 Mod 0
  3. Mk 63 Mod 0
  4. Mk 64 Mod 0
- 2-31. The Mk 34 Mod 0 is what type of warhead?
1. Smoke
  2. Flare
  3. AT/PERS
  4. HE-FRAG
- 2-32. What type of warhead combines the effectiveness of HE-FRAG and HEAT warheads?
1. GP
  2. AT/APERS
  3. Flare
  4. Flechette
- 2-33. What is the only anti-personnel warhead currently in use?
1. Mk 24 Mod 0
  2. Mk 32 Mod 0
  3. Mk 34 Mod 1
  4. Mk 67 Mod 0
- 2-34. What type of warhead is a compromise between the armor-piercing and fragmentation designs?
1. HE-FRAG
  2. HEAT
  3. AT/APERS
  4. GP
- 2-35. What are the two primary classifications of rocket fuzes?
1. Point-detonating and base-detonating
  2. Nose and base
  3. Mechanical and electrical
  4. Impact and proximity
- 2-36. A Mk 193 Mod 0 is installed in what warhead?
1. Mk 66 Mod 0
  2. Mk 33 Mod 1
  3. Mk 32 Mod 0
  4. Mk 24 Mod 0
- 2-37. A rocket fuze that functions after the rocket strikes the target with enough resistance to cause crushing or disarrangement of actuating parts is known as what type of fuze?
1. A mechanical-time fuze
  2. A proximity fuze
  3. An impact-firing fuze
  4. A deceleration fuze
- 2-38. An impact-firing fuze is located in what part of a warhead?
1. The nose only
  2. The base only
  3. The nose or base
  4. The tail
- 2-39. Which of the following fuzes contains a clock mechanism?
1. Mk 93 Mod 0
  2. Mk 176 Mod 0
  3. Mk 191 Mod 0
  4. Mk 193 Mod 0
- 2-40. What type of rocket fuze is used in the base of a WDU-4A/A flechette warhead?
1. An acceleration-deceleration fuze
  2. An impact-firing fuze
  3. A mechanical-time fuze
  4. A proximity fuze

- 2-41. What type of rocket fuze has an electronics package in the forward end?
1. An impact-firing fuze
  2. A mechanical-time fuze
  3. A proximity fuze
  4. An acceleration-deceleration fuze
- 2-42. A 2.75-inch rocket assembly can be carried and launched from which of the following launcher packages?
1. 4-round packages
  2. 7-round packages only
  3. 19-round packages only
  4. 7-round or 19-round packages
- 2-43. A low-speed, folding-fin aircraft rocket can NOT be ripple fired for which of the following reasons?
1. Its spin feature
  2. It's arming time requirement
  3. Its requirement to be carried individually
  4. Its requirement to be fired from high altitudes
- 2-44. All 2.75-inch rockets may be shipped in which of the following configurations?
1. Complete rounds in 7- or 19-tube launchers or in wooden boxes
  2. Rocket motors in 7-tube launchers and fuze-warhead combinations in separate shipping containers
  3. Separate components in authorized shipping containers
  4. Each of the above
- 2-45. What NAVAIR publication provides authorized assemblies, safety precautions, and restrictions for airborne rockets?
1. 01-700
  2. 11-75A-92
  3. 11-5D-20
  4. 11-5A-17
- 2-46. What 5.0-inch rocket motor has one motor for all launch speed applications?
1. Mk 16
  2. Mk 32
  3. Mk 71
  4. Mk 81
- 2-47. All 5.0-inch rockets should be received through the supply system in which of the following configurations?
1. Rocket motors in a 4-round launcher
  2. Separate components in separate shipping containers
  3. Fuzes and warheads in separate shipping containers
  4. Each of the above
- 2-48. Aircraft rocket launchers are classified in which of the following ways?
1. 2.75 in. only
  2. 5.0 in. only
  3. Reusable or nonreusable only
  4. 2.75 or 5.0 in. and reusable or nonreusable
- 2-49. For detailed information on the LAU-61 and LAU-68 series rocket launchers, you should refer to which of the following NAVAIR publications?
1. 19-100-1
  2. 11-75A-92
  3. 11-75A-38
  4. 11-5E-50
- 2-50. The LAU-10 series rocket launcher has which of the following types of suspensions?
1. A 12-in. suspension
  2. A 14-in. suspension only
  3. A 30-in. suspension only
  4. A 14-in. and 30-in. suspension
- 2-51. The frangible fairings on rocket launchers are made of what material?
1. Impregnated molded fiber
  2. Aluminum
  3. Stainless steel
  4. Tin
- 2-52. What component permits preflight selection of either ripple or single firing of rockets from an aircraft rocket launcher?
1. A breaker switch
  2. An intervalometer
  3. A mode selector switch
  4. An auto-ripple switch

- 2-53. What component of a rocket launcher is used to prevent loaded rockets from being fired?
1. A safety switch
  2. A breaker switch
  3. An intervalometer
  4. A mode selector switch
- 2-54. When rocket launchers are loaded, the detent pin should be installed in the breaker switch at which of the following times?
1. Before aircraft flight
  2. After the rockets have been loaded
  3. Before the launcher is loaded with rocket motors
  4. Before the launcher is loaded on the aircraft
- 2-55. When the mode selector switch in a 19-shot pod is in the single-fire position, what total number of rockets are fired by the intervalometer for each firing pulse it receives?
1. Six
  2. Two
  3. Eight
  4. Four
- 2-56. In the LAU-10 series, rocket launcher, what component retains the rocket motor in the launching tubes during shipping, handling, and flight?
1. A spring-loaded detent pawl
  2. A detent lift tool
  3. A detent lift handle
  4. A rocket-firing contact band
- 2-57. The rocket motor is retained in a launcher tube by what means?
1. A detent
  2. A cotter pin
  3. An arming latch
  4. A firing contact
- 2-58. What authority may authorize the disassembly or alteration of rocket components?
1. CO
  2. NAVSEASYSKOM
  3. NAVAIRSYSKOM
  4. EOD
- 2-59. When a rocket is fired from the LAU-10 series launcher, what force causes the detent pawl to release from the rocket detent groove?
1. Spring tension
  2. Motor thrust
  3. Motor blast
  4. Mechanical energy
- 2-60. Rocket motors should be stowed in the same manner as which of the following powders or explosives?
1. Smokeless powder
  2. High explosives
  3. Low explosives
  4. Black powder
- 2-61. A rocket motor should NOT be used if it has been dropped more than what prescribed number of feet?
1. 8 ft
  2. 2 ft
  3. 10 ft
  4. 4 ft
- 2-62. When, if ever, should you attempt to remove the base fuze from a rocket warhead?
1. After the warhead has been dropped more than 4 feet
  2. After external evidence of arming is evident
  3. After receiving orders from your supervisor
  4. Never
- 2-63. Fuzes and warheads should be disposed of if they are dropped onto a hard surface more than what prescribed number of feet?
1. 5 ft
  2. 2 ft
  3. 3 ft
  4. 4 ft
- 2-64. When, if ever, should a loaded rocket launcher be electrically tested?
1. Before the warhead is installed
  2. After the fuze is installed
  3. When it is being loaded on the aircraft
  4. Never

- 2-65. A minimum distance, as indicated on the unit, must be maintained between a gas turbine exhaust path and the rocket assemblies upon which the exhaust impinges. In the absence of specific information on the unit, what minimum distance must be maintained?
1. 5 ft
  2. 10 ft
  3. 15 ft
  4. 20 ft
- 2-66. If for any reason you think a fuze is armed, which of the following procedures should you follow?
1. Remove the fuze from the rocket head
  2. Treat the fuze as an armed and sensitive fuze
  3. Tap the fuze with a rubber mallet
  4. Check the fuze with a spectrometer
- 2-67. Ready-service stowage of assembled rockets is authorized for the 2.75-inch and 5.0-inch aircraft rockets according to which of the following publications?
1. NAVSEA OP 4 only
  2. NAVSEA OP 5 only
  3. NAVSEA OP 4 and NAVSEA OP 5
  4. NAVAIR 01-1A-9
- 2-68. In an ammunition loading area, smoking should NOT be permitted within what prescribed number of feet?
1. 100 ft
  2. 200 ft
  3. 300 ft
  4. 400 ft

## ASSIGNMENT 3

Textbook Assignment: "Air-Launched Guided Missiles and Guided Missile Launchers," Pages 3-1 through 3-32.

---

- 3-1. Long-range missiles are usually capable of traveling what minimum number of miles?
1. 100 miles
  2. 200 miles
  3. 300 miles
  4. 400 miles
- 3-2. Speeds from Mach 0.8 to Mach 1.2 are referred to by what term?
1. Subsonic
  2. Transonic
  3. Supersonic
  4. Hypersonic
- 3-3. Speeds from Mach 1.2 to Mach 5.0 are referred to by what term?
1. Subsonic
  2. Transonic
  3. Supersonic
  4. Hypersonic
- 3-4. Speeds up to Mach 0.8 are referred to by what term?
1. Subsonic
  2. Transonic
  3. Supersonic
  4. Hypersonic
- 3-5. Speeds above Mach 5.0 are referred to by what term?
1. Subsonic
  2. Transonic
  3. Supersonic
  4. Hypersonic
- 3-6. A missile with a rated speed of Mach 3.2 is fired from an aircraft that is flying at a speed of Mach 2.6. What is the missile's actual speed after being launched?
1. Mach 0.6
  2. Mach 2.6
  3. Mach 3.2
  4. Mach 5.8
- 3-7. A service missile is usually referred to as what type of missile?
1. A practice missile
  2. A tactical missile
  3. A dummy missile
  4. A training missile
- 3-8. A training missile is classified as what type of missile?
1. A nonactive missile
  2. A nonservice missile
  3. A tactical missile
  4. A service missile
- 3-9. To prevent certain types of exercise missiles from traveling beyond the target range, what safety measure should be installed in the missiles?
1. A tracing flare
  2. An explosive destruct charge
  3. A telemetry-type warhead
  4. A preprogrammed computer system
- 3-10. A guided missile is designed to be air launched as an intercept aerial missile. It is the 9th design and the 12th modification of the design. What designator is assigned to the missile?
1. AGM-9B
  2. AGM-91
  3. AIM-9G
  4. AIM-9L
- 3-11. Which of the following color codes are used in missile identification?
1. Yellow, brown, and black
  2. Yellow, brown, and blue
  3. Blue, orange, and red
  4. Blue, orange, and green
- 3-12. You can find the serial number of a missile on which of the following missile components?
1. The leading component
  2. The motor
  3. The tail section
  4. The explosive section

- 3-13. To find information on the identification of guided missiles, you should refer to which of the following NAVAIR publications?
1. 11-1-117
  2. 11-5E-18
  3. 11-15-7
  4. 16-1-529
- 3-14. Which of the following missile components is the brain of the missile?
1. The nose section
  2. The armament section
  3. The guidance section
  4. The propulsion section
- 3-15. In semiactive homing, target illumination comes from which of the following sources?
1. The missile's guidance section
  2. The missile's control section
  3. An external source to the missile
  4. A radar receiver
- 3-16. Passive homing is similar to active homing in which of the following ways?
1. Passive homing does not require a control section
  2. Passive homing requires an external source for a target
  3. Passive homing does not operate independently of the launching aircraft
  4. Passive homing operates independently of the launching aircraft
- 3-17. A high-explosive warhead used in an air-to-air guided missile contains what range of explosives?
1. 75 to 100 lb
  2. 35 to 65 lb
  3. 10 to 18 lb
  4. 5 to 10 lb
- 3-18. What are the two types of general fuzes used in guided missiles?
1. Impact and mechanical
  2. Impact and electrical
  3. Contact and electrical
  4. Contact and proximity
- 3-19. The safety and arming device on a missile is used for what purpose?
1. To prevent arming if the missile is fired accidentally
  2. To maintain the explosive train of the fuzing system in a safe condition until certain requirements is met
  3. To prevent the missile from being accidentally fired when the aircraft is not airborne
  4. To maintain the explosive train of the fuzing system in an unsafe condition before firing the missile
- 3-20. Which of the following propulsion systems does NOT require oxygen from the atmosphere for its operation?
1. Thermal jet
  2. Turbojet
  3. Pulsejet
  4. Ramjet
- 3-21. Missile propulsion systems use which of the following basic types of jet power plants?
1. Solid propellant grain only
  2. Liquid propellant motor only
  3. Solid propellant grain and liquid propellant motor
  4. Atmospheric jet and thermal jet
- 3-22. What propulsion system is currently being used in Navy air-launched missiles as an atmospheric jet propulsion system?
1. Pulsejet
  2. Thermal jet
  3. Turbojet
  4. Ramjet
- 3-23. Which of the following missile propulsion systems is NOT a thermal jet propulsion system?
1. Solid propellant
  2. Liquid propellant
  3. Gas propellant
  4. Combined propellant
- 3-24. A guided missile that incorporates both a boost phase and a sustaining thrust phase has what designation?
1. DTRM
  2. DPRM
  3. DRM
  4. DRTS

- 3-25. Which of the following statements describes an AIM-7F guided missile?
1. It is a supersonic missile
  2. It is an air-to-air missile
  3. It is launched from an interceptor aircraft
  4. Each of the above
- 3-26. What type of guidance system is used in an AIM-7F guided missile
1. Active
  2. Semiactive
  3. Passive
  4. Command
- 3-27. In an AIM-7F guided missile, the flight control section consists of which of the following components?
1. A target seeker
  2. An autopilot only
  3. A hydraulic group only
  4. An autopilot and a hydraulic group
- 3-28. In an AIM-7F guided missile, the warhead is in what location?
1. Between the flight control section and autopilot
  2. Between the target seeker and flight control section
  3. Between the hydraulic group and the autopilot
  4. Between the target seeker and autopilot
- 3-29. In an AIM-7F guided missile, what device prevents the motor from being accidentally fired?
1. A safety and arm device
  2. A safe/arm igniter
  3. A shorting cap
  4. A shorting pin
- 3-30. To reposition the safe/arm assembly in an AIM-7F guided missile, what tool should you use?
1. An arming key
  2. A screwdriver
  3. A 1/2-inch wrench
  4. A 1/4-inch wrench
- 3-31. An AGM-84A-1 guided missile is designed to be used against which of the following targets?
1. Ships
  2. Bunkers
  3. Personnel
  4. Tanks
- 3-32. What type of guidance system is used in a Harpoon guided missile?
1. Semiactive
  2. Command
  3. Passive
  4. Active
- 3-33. The missile battery is located in what section of a Harpoon guided missile?
1. The warhead section
  2. The guidance section
  3. The sustainer section
  4. The boattail section
- 3-34. The control fins should be attached to what section of a Harpoon missile?
1. The warhead section
  2. The sustainer section
  3. The boattail section
  4. The guidance section
- 3-35. What type of guidance system is used in a Sidewinder guided missile?
1. Passive
  2. Active
  3. Passive infrared target detection
  4. Semiactive infrared target detection
- 3-36. A Sidewinder guided missile has what total number of major components?
1. Five
  2. Seven
  3. Three
  4. Nine
- 3-37. The control fins should be attached to what section of a Sidewinder guided missile?
1. The warhead section
  2. The rocket motor section
  3. The target detector section
  4. The guidance and control section

- 3-38. What warhead is used in an AIM-9L guided missile?
1. WDU-77/B
  2. WDU-17/B
  3. Mk 34
  4. Mk 43
- 3-39. What modification of a Mk 36 rocket motor is equipped with a safe-arm ignition assembly?
1. Mod 9
  2. Mod 8
  3. Mod 7
  4. Mod 6
- 3-40. To reposition the safe-arm ignition assembly of a Mk 36 Mod 8 rocket motor, what tool should you use?
1. A hex-head T-handle
  2. A screwdriver
  3. An arming key
  4. An allen wrench
- 3-41. What type of guidance system is used in the Walleye I weapon?
1. Active homing
  2. Semiactive homing
  3. Closed-circuit television
  4. Closed-loop radar tracking
- 3-42. A Walleye I series weapon is in what specified weight class?
1. 500 lb
  2. 1,000 lb
  3. 1,500 lb
  4. 2,000 lb
- 3-43. A Walleye II series weapon is in what specified weight class?
1. 500 lb
  2. 1,000 lb
  3. 1,500 lb
  4. 2,000 lb
- 3-44. An AIM-54C guided missile uses which of the following types of guidance systems?
1. Active only
  2. Semiactive only
  3. Passive only
  4. Active, semiactive, and passive
- 3-45. A Maverick missile uses what type of guidance system?
1. Laser
  2. Active
  3. Passive
  4. Command
- 3-46. There is to be a multiple missile attack by the use of simultaneous guidance against widely separated targets. What maximum number of AIM-54C guided missiles can be launched from a single aircraft?
1. Seven
  2. Six
  3. Five
  4. Four
- 3-47. An AGM-88A guided missile is designed to operate in what total number of modes?
1. One
  2. Two
  3. Three
  4. Four
- 3-48. The designation AGM-65E identifies what missile?
1. Harpoon
  2. Shrike
  3. Sidewinder
  4. Maverick
- 3-49. What are the major assemblies of the LAU-7 guided missile launcher?
1. Housing, nitrogen receiver, power supply, and electrical converter
  2. Housing, mechanism, power supply, and nitrogen receiver
  3. Housing, nitrogen receiver, and power supply
  4. Housing, mechanism, and nitrogen receiver
- 3-50. The pressure indicator on the nitrogen receiver assembly in the LAU-7/A guided missile launcher is yellow. What approximate amount of nitrogen is available?
1. 0.0 to 2.1 psi
  2. 2.2 to 2.8 psi
  3. 2.9 to 3.4 psi
  4. 3.5 to 5.0 psi



- 3-51. Which of the following guided missile launchers is a complete launching system used with AIM-9 series missiles?
1. LAU-7/A
  2. LAU-115/A
  3. Aero 5B-1
  4. Aero 7A
- 3-52. In the LAU-7/A guided missile launcher, the missile's IR detector is cooled by what means?
1. A ram air turbine
  2. Ambient air
  3. A nitrogen receiver
  4. Induction air
- 3-53. The nitrogen receiver assembly in an LAU-7/A guided missile launcher can store what total amount of nitrogen?
1. 1,200 psig
  2. 2,200 psig
  3. 3,200 psig
  4. 4,200 psig
- 3-54. In an LAU-7/A guided missile launcher, the nitrogen control valve is controlled by what means?
1. The pilot
  2. The NFO
  3. An IR detector
  4. A thermocouple
- 3-55. An LAU-7/A umbilical hook support assembly is accessible through which of the following components?
1. The aft fairing assembly
  2. The snubber mount fitting assembly
  3. The forward fairing assembly
  4. The power supply
- 3-56. To prevent interference with the missile hangers during launch, what component of an LAU-7/A guided missile launcher shears the umbilical cord?
1. The snubbers
  2. The mechanism assembly
  3. The aft fairing latch assembly
  4. The umbilical hook support assembly
- 3-57. When in the closed position, what assembly in an LAU-7/A guided missile launcher locks the aft missile hanger in place?
1. The detent
  2. The mechanism
  3. The aft fairing latch
  4. The forward fairing
- 3-58. To obtain information on an LAU-7/A guided missile launcher, you should refer to which of the following NAVAIR publications?
1. 11-100-1.1
  2. 11-85-5
  3. 11-75A-54
  4. 11-1-116B
- 3-59. The aft striker point in the LAU-7/A guided missile launcher is used to make contact between what components?
1. The missile and the firing safety switch
  2. The missile IR detector and the nitrogen control switch
  3. The missile power supply and the electrical wiring harness
  4. The electrical wiring harness and the nitrogen control switch
- 3-60. The AUR concept simplifies guided missile handling at the user level as a result of which of the following characteristics?
1. Improved reliability
  2. Improved availability
  3. Improved logistics support
  4. Each of the above
- 3-61. The service life of a guided missile begins at which of the following times?
1. When it is placed in the shipping container
  2. When it is received as an AUR
  3. When it is assembled as an AUR
  4. When it is removed from the shipping container
- 3-62. A Naval Air Weapons Maintenance Unit (NAWMU) is used for what purpose?
1. To repair missiles aboard ship
  2. To containerize missiles before shipment
  3. To maintain the fleet's overseas missile stockpile
  4. To upgrade missiles from non-RFI to RFI status

- 3-63. Under the AUR concept, missiles are received aboard ship completely assembled with which of the following exceptions?
1. Fuzes
  2. Detonators
  3. S&A devices
  4. Wings and fins
- 3-64. Aboard ship, missiles that are deep stowed in their sealed containers can be off-loaded as what type of material?
1. RFI
  2. Non-RFI
  3. Code E
  4. Code F
- 3-65. The seal on a container of wings and fins has been broken. This container should be tagged and off-loaded as what type of material?
1. Code D
  2. Code F
  3. Non-RFI
  4. RFI
- 3-66. Guided missiles are used for what primary purpose?
1. To provide long range standoffs
  2. To destroy targets only
  3. To damage targets only
  4. To destroy or damage targets
- 3-67. Guided missiles are divided into what two types?
1. Subsonic and supersonic
  2. Transonic and hypersonic
  3. Service and nonservice
  4. Low altitude and high altitude
- 3-68. A missile serial number is used for what purpose?
1. To identify the temperature range of the missile
  2. To identify the Mk and Mod of the missile
  3. To track the missile
  4. To identify the explosive filler used in the missile
- 3-69. Target illumination in active homing is provided by what means?
1. The launch aircraft
  2. The missile
  3. The target
  4. The ground control facility
- 3-70. Most exercise warheads are of what type?
1. Pyrotechnic
  2. High explosive comp B
  3. High explosive H-6
  4. Inert
- 3-71. An AIM-7 guided missile can be launched from which of the following aircraft?
1. A-6
  2. EA-6B
  3. S-3
  4. F/A-18
- 3-72. A Harpoon missile contains what total number of sections?
1. Five
  2. Two
  3. Three
  4. Four
- 3-73. The pressure probe assembly is contained in what section of an AGM-84 missile?
1. Sustainer
  2. Warhead
  3. Guidance
  4. Control
- 3-74. What means is used to retain the missile on a LAU-115 launcher during an arrested landing?
1. An electrical solenoid
  2. A mechanical solenoid
  3. Hydraulic pressure
  4. Gas pressure
- 3-75. A LAU-116 launcher uses a total of how many impulse cartridges to eject the missile?
1. One
  2. Two
  3. Three
  4. Four

# ASSIGNMENT 4

Textbook Assignment: "Pyrotechnics," Pages 4-1 through 4-15.

---

- 4-1. Pyrotechnics are used for which of the following purposes?
1. Flame or flash only
  2. Smoke or sound only
  3. Infrared only
  4. Flame, flash, smoke, sound, or infrared radiation
- 4-2. Dye markers are what type of devices?
1. Pyrotechnics and screening devices
  2. Marking devices only
  3. Marking and screening devices
  4. Marking and pyrotechnics devices
- 4-3. Dye markers are used for what primary purpose?
1. To color code a pyrotechnic device
  2. To indicate an impact point for a practice weapon
  3. To establish a reference point on the surface of the water
  4. To establish a reference point on the ground
- 4-4. To get information on pyrotechnic, screening, marking, and countermeasure devices, you should refer to which of the following publications?
1. NAVAIR 11-100-1.1
  2. NAVAIR 11-100-1.1.2
  3. NAVSEA SW010-AB-GTB-010
  4. NAVSEA SW050-AB-MMA-010
- 4-5. A Mk 13 Mod 0 marine smoke and illumination signal emits what color smoke/flame for (a) day use and (b) night use?
1. (a) Red flame (b) orange smoke
  2. (a) Orange smoke (b) red flame
  3. (a) Orange smoke (b) orange smoke
  4. (a) Red flame (b) red flame
- 4-6. The day or night end of a Mk 13 Mod 0 signal is marked in which of the following ways?
1. The day end is painted orange
  2. The night end is painted red
  3. The protective plastic cap on the night end is molded and there are three prominent beads across the face
  4. The protective plastic cap on the day end is molded and there are three prominent protrusions across the face
- 4-7. You can find the precise instructions for using a Mk 13 Mod 0 signal in what location?
1. On the shipping container
  2. On a label on the outer surface of the signal
  3. On an information sheet inside the signal shipping container
  4. On an information sheet accompanying the signal
- 4-8. After using one end of a Mk 13 Mod 0 signal, what action should you take?
1. Discard the signal in the trash
  2. Douse the signal in water and save it for later use
  3. Ship the signal to the Naval Safety Center
  4. Douse the signal in oil and save it for later use
- 4-9. A Mk 79 Mod 0 illumination signal kit consists of (a) what signal projector and contains (b) what total number of Mk 80 Mod 0 signals?
1. (a) Mk 31 Mod 0 (b) six
  2. (a) Mk 31 Mod 2 (b) seven
  3. (a) Mk 31 Mod 0 (b) seven
  4. (a) Mk 31 Mod 2 (b) six
- 4-10. When fired, the star ejected from a Mk 80 Mod 0 signal burns for what minimum amount of time?
1. 4 1/2 sec
  2. 10 1/2 sec
  3. 4 1/2 min
  4. 10 1/2 min

- 4-11. Before loading a signal into a Mk 31 Mod 0 signal projector, you should first take what action?
1. Inspect the signal for damage
  2. Make sure the signal projector is cocked
  3. Clear all personnel from the immediate area
  4. Make sure the signal projector is not cocked
- 4-12. A hand-manipulated signaling device is used for all EXCEPT which of the signaling purposes?
1. Identification
  2. Countermeasure
  3. Warning
  4. Distress
- 4-13. Pyrotechnic pistols includes all EXCEPT which of the following features?
1. Breechloaded
  2. Single-shot
  3. Double-action
  4. Double-barreled
- 4-14. What is the total weight of a Mk-13 signal?
1. 6.4 ounces
  2. 7.2 ounces
  3. 8.5 ounces
  4. 9.0 ounces
- 4-15. At what prescribed angle should you hold a Mk-13 signal?
1. 15°
  2. 30°
  3. 45°
  4. 90°
- 4-16. A Mk-31 signal projector propels the signal to what prescribed height?
1. 150 to 250 ft
  2. 250 to 650 ft
  3. 350 to 750 ft
  4. 450 to 850 ft
- 4-17. What is the prescribed weight of an LUU-2B/B flare?
1. 10 lb
  2. 20 lb
  3. 30 lb
  4. 40 lb
- 4-18. The LUU-2B/B flare consists of what total number of components?
1. Seven
  2. Six
  3. Five
  4. Four
- 4-19. The illuminating candle in the LUU-2B/B aircraft parachute flare is made from what materials?
1. Magnesium, sodium nitrate, and black powder
  2. Magnesium, sodium nitrate, and a polymer binder
  3. Magnesium, black powder, and a polymer binder
  4. Black powder, sodium nitrate, and a polymer binder
- 4-20. To initiate ignition of the candle in the LUU-2B/B aircraft parachute flare, what minimum amount of force must be exerted by the parachute lanyard?
1. 61 lb
  2. 81 lb
  3. 91 lb
  4. 101 lb
- 4-21. What is the prescribed diameter of an LUU-2B/B parachute?
1. 10 ft
  2. 12 ft
  3. 18 ft
  4. 20 ft
- 4-22. To establish an initial contact point for a continued submarine search, which of the following means should be used?
1. Smoke only
  2. Flame only
  3. Smoke and flame
  4. Aircraft parachute flares
- 4-23. To make nighttime use easier, the armed position of the baseplate on a Mk 25 marine location marker is marked in what way?
1. It is machined-notched at the armed position
  2. It is machined-notched at the safe position
  3. It has an illumination decal at the safe position
  4. It has a raised bead at the armed position

- 4-24. When a Mk 25 marine location marker is handled, what component physically prevents the base plugs from being accidentally pushed in?
1. The locking block
  2. The arming plate
  3. The retainer ring
  4. The spring-loaded plug retainer
- 4-25. When a Mk 25 Mod 2 marker is in the water, what liquid serves as an electrolyte to produce a current in the battery?
1. Fresh water
  2. Oil
  3. Seawater
  4. Acid
- 4-26. What is the average burn time of a Mk 25 Mod 2 marine location marker?
1. 3.0 to 8 min
  2. 9 to 12 min
  3. 13.5 to 18.5 min
  4. 20.5 to 30.5 min
- 4-27. A Mk 25 marine location marker can be launched by which of the following methods?
1. Electronically
  2. Manually only
  3. Sonobuoy launcher only
  4. Manually or sonobuoy launcher
- 4-28. When it is going to be sonobuoy launched, what component should be installed around the base of a Mk 25 marine location marker?
1. A red G-ring
  2. A black G-ring
  3. A Mk 24 Mod 1 adapter kit
  4. A Mk 34 Mod 0 adapter kit
- 4-29. To eject a Mk 25 marine location marker from the SLC and the sonobuoy launch tube, what device is used?
1. A split foam spacer
  2. A JAU-1/B cartridge
  3. A Mk 4 cartridge
  4. An electromechanical solenoid
- 4-30. A Mk 58 Mod 1 marine location marker will produce smoke and flame for what minimum to maximum number of minutes?
1. 10 to 20 min
  2. 20 to 30 min
  3. 30 to 40 min
  4. 40 to 60 min
- 4-31. A Mk 58 marine location marker can be launched by which of the following methods?
1. Hand only
  2. Bomb rack only
  3. Sonobuoy only
  4. Hand, bomb rack, and sonobuoy
- 4-32. When carried externally on a bomb rack, the pull ring and reinforced adhesive foil strip are removed from a Mk 58 marine location marker by what means?
1. A cartridge
  2. The airstream
  3. An arming wire
  4. A fuze
- 4-33. As the first candle nears burnout in a Mk 58 marine location marker, the second candle is ignited by what means?
1. The Mk 13 electrical squib
  2. The heat from the first candle
  3. The transfer time fuze
  4. The heat thermocouple
- 4-34. What force ejects a Mk 46 decoy flare from the dispenser?
1. A Mk 4 or CCU-63/B impulse cartridge
  2. A Mk 131 or CCU-63/B impulse cartridge
  3. Ram air
  4. Internal air pressure
- 4-35. To extinguish an aircraft parachute flare that is burning in the open, which of the following methods should you use?
1. A chemical extinguisher
  2. A carbon dioxide extinguisher
  3. Flooding quantities of water at low pressure
  4. Flooding quantities of water at high pressure
- 4-36. Under what (a) condition and (b) authority may pyrotechnics be dumped at sea?
1. (a) Emergency  
(b) Commanding officer
  2. (a) High tempo operations  
(b) Commanding officer
  3. (a) Emergency  
(b) Ordnance handling officer
  4. (a) High tempo operations  
(b) Ordnance handling officer

- 4-37. Approximately how many pounds of force is required to pull the timer knob from the timer of an LUU-2B/B?
1. 10 lb
  2. 20 lb
  3. 30 lb
  4. 40 lb
- 4-38. A Mk-25 will provide smoke and flame for approximately how many minutes?
1. 4 to 8 min
  2. 8 to 10 min
  3. 10 to 20 min
  4. 20 to 40 min
- 4-39. A Mk-25 uses what type of seawater battery?
1. MK-31
  2. Mk-45
  3. Mk-71
  4. Mk-72
- 4-40. What adapter kit must be installed on a Mk-25 prior to launching from a sonobuoy tube?
1. Mk 34
  2. Mk 72
  3. ADK 34
  4. ADK 72
- 4-41. What electric squid is used in a Mk-58 MLM?
1. Mk 13
  2. Mk 31
  3. Mk 34
  4. Mk 71
- 4-42. What color smoke is produced by a CXU-3 signal cartridge?
1. White
  2. Blue
  3. Orange
  4. Red
- 4-43. Pyrotechnic flares can burn up to what maximum temperature?
1. 1,500°F
  2. 2,000°F
  3. 3,500°F
  4. 4,500°F
- 4-44. What signal cartridge produces a flash of light and a white puff of smoke?
1. Mk 4 Mod 3
  2. Mk 19
  3. CXU-3A/B
  4. CXU-4/B
- 4-45. Pyrotechnic hazards are frequently increased by what factors?
1. Age
  2. Improper storage conditions
  3. Excessive temperatures
  4. All the above

# ASSIGNMENT 5

Textbook Assignment: "Air-Laid Mines and Torpedoes," Pages 5-1 through 5-13.

---

- 5-1. What is the primary weapon used in antisubmarine warfare?
1. The torpedo
  2. The depth bomb
  3. The underwater bomb
  4. The general-purpose bomb
- 5-2. A Mk 46 and Mods torpedo can be assembled into which of the following configurations?
1. Warshot, tactical, or exercise extender
  2. Warshot, exercise, or aircraft-launched
  3. Warshot, tactical, or practice
  4. Tactical, exercise extender, or practice
- 5-3. A Mk 46 warshot configuration consists of what total number of sections?
1. Five
  2. Two
  3. Three
  4. Four
- 5-4. During preparation of a Mk 46 torpedo, the AO is responsible for performing which of the following jobs?
1. Connecting the nose section to the after body
  2. Installing the launch accessory equipment
  3. Connecting the extender to the after body
  4. Installing the control group
- 5-5. To ensure a predictable air trajectory and water entry without causing structural damage to a Mk 46 torpedo, what means is used?
1. Suspension
  2. Flootation
  3. An air stabilizer
  4. A flat nose section
- 5-6. To suspend Mk 46 torpedoes from the bomb racks or shackles of the launching aircraft, which of the following suspension band configurations should be used?
1. One Mk 78 Mod 0 only
  2. One Mk 78 Mod 1 only
  3. Two Mk 78 Mod 0 only
  4. Two Mk 78 Mod 0 or two Mk 78 Mod 1
- 5-7. A Mk 46 torpedo uses what type of fuel?
1. Otto Fuel II
  2. Liquid propellant
  3. Solid-grain propellant
  4. JP-5
- 5-8. When Otto Fuel II is present in a thin layer, it is what color?
1. Bright red
  2. Bright yellow
  3. Yellow-orange
  4. Yellow-green
- 5-9. When a person is initially exposed to Otto Fuel II vapors, what symptoms could occur?
1. A headache/dizziness only
  2. Nasal congestion only
  3. A drop in blood pressure only
  4. A headache/dizziness, nasal congestion, and a drop in blood pressure
- 5-10. All operations involving the handling of Otto Fuel II should be performed by at least how many people?
1. One
  2. Two
  3. Three
  4. Four
- 5-11. Aircraft-laid mines are used in which of the following types of operations?
1. Nonservice
  2. Offensive only
  3. Defensive only
  4. Offensive or defensive
- 5-12. Service, exercise, and training mines are grouped into which of the following general classifications?
1. Weight
  2. Intended use
  3. Method of delivery
  4. Method of actuation

- 5-13. Magnetic, acoustic, and pressure mines are grouped into which of the following general classifications?
1. Influence only
  2. Contact only
  3. Influence and contact
  4. Pressure and magnetic
- 5-14. Mine cases may be made of which of the following materials?
1. Sheet metal only
  2. Aluminum only
  3. Spun glass only
  4. Sheet metal, aluminum, or spun glass
- 5-15. The amount of explosives used in air-laid mines ranges from 160 pounds to what maximum number of pounds?
1. 1,300 lb
  2. 1,500 lb
  3. 1,700 lb
  4. 1,900 lb
- 5-16. Depending on the type of mine, the explosive system may contain which of the following components?
1. A booster only
  2. A main charge only
  3. An initiating system only
  4. A booster, a main charge, and an initiating system
- 5-17. Air-laid mines contain which of the following types of explosives?
1. HBX, Comp B, H6, or TNT
  2. Comp B, TNT, RDX or tritonal
  3. Comp B, TNT, H6, or RDX
  4. TNT, H6, tritonal, or BOOM I
- 5-18. In an air-laid mine, what device opens a hole in the mine case, causing the mine to sink?
1. A booster
  2. A main charge
  3. An initiating system
  4. An auxiliary explosive
- 5-19. The arming device in an air-laid mine consist of what type of (a) switch piston and (b) aligning piston?
1. (a) Electrical (b) mechanical
  2. (a) Hydrostatic (b) explosive
  3. (a) Electrical (b) explosive
  4. (a) Hydrostatic (b) mechanical
- 5-20. In an air-laid mine, what component prevents firing until the mine has been submerged for a predetermined period of time?
1. The hydrostatic switch piston
  2. The explosive aligning piston
  3. The clock-delay mechanism
  4. The mechanical time-delay fuze
- 5-21. What time delay range can be programmed into a clock-delay mechanism?
1. 6 min to 8 days
  2. 8 min to 10 days
  3. 10 min to 12 days
  4. 12 min to 14 days
- 5-22. What type of firing mechanism detects the sound waves generated by nearby ships?
1. Pressure
  2. Acoustic
  3. Magnetic
  4. Contact
- 5-23. What type of firing mechanism is actuated by a decrease in the water pressure surrounding the mine?
1. Pressure
  2. Acoustic
  3. Contact
  4. Depth
- 5-24. What type of parachute pack is used to release a mine from an aircraft that is flying at a high altitude?
1. Large
  2. Quick-release
  3. Small
  4. Delayed-opening
- 5-25. When a mine is released with a parachute installed, the parachute is deployed by what means?
1. The airstream
  2. The parachute release band
  3. The removal of the arming wire
  4. The firing of an explosive fitting
- 5-26. A Mk 55 service mine is classified as what type of mine?
1. A moored mine
  2. A bottom mine
  3. A surface mine
  4. A floating mine



- 5-27. What activity is responsible for the proper assembly of all mines?
1. MMMU
  2. AIMD
  3. MOMAG
  4. NADEP
- 5-28. A total of how many versions of exercise torpedoes are available for aircraft launching?
1. One
  2. Two
  3. Three
  4. Five
- 5-29. Component location information for a MK 46 torpedo is contained in what NAVSEA publication?
1. SW512-AO-ASY-010
  2. SW010-AF-ORD-010
  3. TW010-AC-ORD-010
  4. SW050-AB-MMA-010
- 5-30. The physical characteristics of a Mk-46 torpedo depend on which of the following items?
1. Mission
  2. Torpedo configuration
  3. Aircraft type
  4. Target
- 5-31. Which of the following air stabilizers are used with fixed-wing aircraft?
1. Mk 28 Mod 2 and Mk 31 Mod 0
  2. Mk 28 Mod 3 and Mk 28 Mod 2
  3. Mk 31 Mod 1 and Mk 28 Mod 3
  4. Mk 31 Mod 3 and Mk 28 Mod 2
- 5-32. What is the major advantage of using Otto fuel in torpedoes?
1. It is safe to handle
  2. It is fast burning
  3. It is slow burning
  4. It requires a short turnaround time for exercise weapons
- 5-33. Otto fuel II safety, storage, and handling instructions are contained in which of the following NAVSEA publications?
1. OP 5
  2. OP 4
  3. S6340-AA-MMA-010
  4. 2173
- 5-34. What is the primary objective of mine operations?
1. To sink submarines
  2. To defend/control ports, straits, anchorage's, and barriers
  3. To mine enemy harbors
  4. To sink enemy ships
- 5-35. Mines are classified in a total of how many categories?
1. Five
  2. Two
  3. Three
  4. Four
- 5-36. Which of the following statements is accurate concerning exercise mines?
1. They are analyzed and overhauled for reuse
  2. They are analyzed and destroyed
  3. They are not recoverable
  4. They are overhauled
- 5-37. Which of the following delivery methods is/are used for mines?
1. Air-laid only
  2. Surface-laid only
  3. Submarine-laid only
  4. Air-laid, surface-laid, and submarine-laid
- 5-38. Which of the following mines are classified by the position they take in the water?
1. Pressure
  2. Acoustic
  3. Bottom
  4. Magnetic
- 5-39. What two factors must be taken into consideration when moored mines are laid?
1. Explosive weight and target
  2. Mission and target
  3. Aircraft type and mission
  4. Moored depth and stability

- 5-40. Which of the following statements is accurate concerning the boosters used in mines?
1. Small boosters contain tetryl
  2. Large boosters contain Comp B
  3. Intermediate boosters contain TNT
  4. All boosters are housed in aluminum
- 5-41. What component aligns the explosive train of a mine?
1. The hydrostatic switch
  2. The detonator circuit
  3. The explosive piston
  4. The clock-delay device
- 5-42. Which of the following is NOT a category of influence-actuated firing mechanisms?
1. Pressure
  2. Contact
  3. Magnetic
  4. Acoustic
- 5-43. After entering the water, the delayed-opening parachute is released from a mine by what means?
1. An explosive bolt
  2. A control device
  3. A release gear
  4. Wipe-off plates
- 5-44. What conversion kit is used to upgrade Mk 62, 63, and 64 mines?
1. Mk 131
  2. Mk 130
  3. Mk 65
  4. Mk 60
- 5-45. What safety device is used in a Mk 65 mine?
1. Mk 57
  2. Mk 45
  3. Mk 31
  4. Mk 7
- 5-46. Mines must be jettisoned in waters that is at least how many feet deep?
1. 1200 ft
  2. 1000 ft
  3. 800 ft
  4. 500 ft
- 5-47. Since World War II, the U.S. Navy has developed what type of torpedoes?
1. Sophisticated air-launched only
  2. Air-laid mines only
  3. Air-to-air mines
  4. Sophisticated and air-launched
- 5-48. What is the acronym ASW?
1. Antisubmarine warfare
  2. Antisubmarine surface warfare
  3. Antisubmarine aviation warfare
  4. None of the above
- 5-49. What is the acronym REXTORP?
1. Receiving exercise torpedo
  2. Recoverable exercise torpedo
  3. Rendering exercise torpedo
  4. Relating exercise torpedo
- 5-50. What is the acronym MOMAG?
1. Mobile Marine Assembly Group
  2. Mobile Muster Assembly Group
  3. Mobile Mine Assembly Group
  4. Mobile Mayor Assembly Group

## ASSIGNMENT 6

Textbook Assignment: "M61A1 Gun Installation," Pages 6-1 through 6-19.

---

- 6-1. An M61A1 automatic gun can be internally mounted in which of the following aircraft?
1. P-3
  2. F-14 only
  3. F/A-18 only
  4. F-14 and F/A-18
- 6-2. An M61A1 automatic gun is (a) driven and (b) controlled by what means?
1. (a) Electrically (b) pneumatically
  2. (a) Hydraulically (b) electrically
  3. (a) Electrically (b) electrically
  4. (a) Hydraulically (b) pneumatically
- 6-3. As installed in Navy aircraft, an M61A1 automatic gun has what pilot-selectable firing rate of (a) GUN HIGH and (b) GUN LOW rounds per minute?
1. (a) 6,000 (b) 4,000
  2. (a) 7,000 (b) 4,000
  3. (a) 7,000 (b) 5,000
  4. (a) 8,000 (b) 5,000
- 6-4. What components are the primary parts of an M61A1 automatic gun?
1. The barrels, housing assembly, and muzzle clamp assembly
  2. The housing assembly, muzzle clamp assembly, and clearing sector assembly
  3. The barrels, rotor assembly, and housing assembly
  4. The muzzle clamp assembly, rotor assembly, and barrels
- 6-5. What component of an M61A1 automatic gun restrains individual barrel movement during firing?
1. The guide bar
  2. The recoil adapter
  3. The muzzle clamp assembly
  4. The mid-barrel clamp assembly
- 6-6. What means are used to secure the gun barrels to the stub rotor of an M61A1 automatic gun?
1. Pipe threads
  2. Standard threads
  3. Interrupted locking lugs
  4. Barrel retaining safety pins
- 6-7. What components are mounted on the bearing retainer and provide the front mounting for an M61A1 automatic gun?
1. The recoil adapters
  2. The housing assembly
  3. The forward yoke assembly
  4. The rotor housing assembly
- 6-8. On an M61A1 automatic gun, what components support the breech-bolt assemblies and provide a guide for the forward and backward movement of the bolt?
1. The elliptical tracks
  2. The main cam paths
  3. The rotor tracks
  4. The oval cam paths
- 6-9. To install or remove the bolt assembly of an M61A1 automatic gun, what component should you remove?
1. The locking cam
  2. The unlocking cam
  3. The housing cover
  4. The lubricator assembly
- 6-10. What type of lubricant should you use in the lubricator assembly of an M61A1 automatic gun?
1. DOD-L-85336
  2. MIL-L-56000
  3. VV-L-700
  4. VV-L-800
- 6-11. What are the two distinct cycles of M61A1 automatic gun operation?
1. Firing and clearing
  2. Loading and unloading
  3. Feeding and extracting
  4. Clearing and loading

- 6-12. As viewed from the rear, in what direction does the rotor move when an M61A1 automatic gun is operating?
1. Clockwise
  2. Counterclockwise
  3. Vertically
  4. Horizontally
- 6-13. On an M61A1 automatic gun, what cam moves the firing pin forward against the primer of the round?
1. The locking cam
  2. The contact cam
  3. The firing pin cam
  4. The unlocking cam
- 6-14. What component of an M61A1 automatic gun ejects the empty case from the gun?
1. The ejector
  2. The guide bar
  3. The extractor lip
  4. The ejection cam
- 6-15. On an M61A1 automatic gun, what sequence of actions is performed by the breech-bolt assembly during one full firing cycle?
1. Feed, chamber, ram and lock, fire, unlock, extract, and eject
  2. Feed, chamber, lock and fire, unlock, extract, and eject
  3. Ram and chamber, lock and fire, unlock, extract, and eject
  4. Load and lock, fire, unlock, extract, and eject
- 6-16. On an M61A1 automatic gun, the clearing cycle begins when what event occurs?
1. When the pilot initiates the clearing switch
  2. When the clearing solenoid is deactivated
  3. When the clearing solenoid is energized
  4. When the spent case reaches the rear of the gun
- 6-17. On an M61A1 automatic gun, the bolt-locking block is forced upward by which of the following components?
1. The buffer
  2. The electrical solenoid
  3. The coil springs
  4. The leaf springs
- 6-18. A drum unit assembly consists of the drum unit and what other major parts?
1. The entrance unit, scoop disk, and exit cover
  2. The entrance cover, transfer unit, and exit cover
  3. The entrance unit, scoop disk, and exit unit
  4. The entrance cover, scoop disk, and exit cover
- 6-19. In a drum unit, ammunition rounds are moved along the length of the partitions by what means?
1. The entrance cover
  2. The scoop disk
  3. The rotation of the outer drum
  4. The rotation of the double-lead helix
- 6-20. What component(s) control(s) the position of the rounds as they are passed from the entrance cover to the scoop disk?
1. The retainer partitions
  2. The inner drum helix
  3. The entrance unit
  4. The scoop disk extensions
- 6-21. What component provides rotating support for an inner drum helix?
1. An exit cover
  2. A scoop disk
  3. An entrance cover
  4. An inner drum adapter
- 6-22. What component contains a last-round switch?
1. The entrance unit
  2. The entrance cover
  3. The exit unit
  4. The exit cover
- 6-23. What component prevents expended rounds from being fed into the M61A1 automatic gun?
1. The first-round switch
  2. The last-round switch
  3. The projectile sensor
  4. The empty case sensor

- 6-24. Live rounds or expended cases are removed from the conveyer elements and placed in the entrance cover retainer partitions by what component?
1. The exit unit
  2. The scoop disk
  3. The bypass unit
  4. The entrance unit
- 6-25. A transfer unit is attached to an M61A1 automatic gun housing by what means?
1. Bolts
  2. Safety wires
  3. Quick-release pins
  4. Quick-disconnect fittings
- 6-26. An adapter assembly is bolted directly to what component?
1. The gun housing
  2. The rear buffer
  3. The forward buffer
  4. The transfer unit
- 6-27. The conveyer elements pass along a path from the entrance unit to the exit unit. What chute provides this path?
1. The feed chute
  2. The bypass chute
  3. The return chute
  4. The unload chute
- 6-28. The conveyer transports expended cases or unfired rounds along a path from the transfer unit to the entrance unit. What chute provides this path?
1. The return chute
  2. The unload chute
  3. The bypass chute
  4. The feed chute
- 6-29. The conveyer transports live rounds or expended cases along a path from the exit unit to the adapter assembly. What chute provides this path?
1. The feed chute
  2. The return chute
  3. The unload chute
  4. The bypass chute
- 6-30. Conveyer elements are joined together by what type of fasteners?
1. Nuts and bolts
  2. Sheet metal screws
  3. Quick-release pins
  4. Removable hinge pins?
- 6-31. The mechanical drive unit in an F-14 aircraft has what total number of output shafts?
1. Five
  2. Two
  3. Three
  4. Four
- 6-32. The mechanical drive unit in an F/A-18 aircraft has what total number of output shafts?
1. One
  2. Two
  3. Three
  4. Four
- 6-33. A gun gas purge system is used for what purpose?
1. To provide gas to operate the gun
  2. To cool the gun barrels only
  3. To purge gas from the gun compartment only
  4. To cool the gun barrels and purge gas from the gun compartment
- 6-34. The air required to operate the gun gas purge system in an F/A-18 aircraft is provided by what air source?
1. The engine bleed air only
  2. The ram air scavenge door only
  3. The engine bleed air and the ram air scavenge door
  4. The environmental cooling system
- 6-35. In an F/A-18 aircraft, the M61A1 automatic gun system can be operated in what computer mode?
1. A/A only
  2. A/G only
  3. CCIP only
  4. A/A, A/G, or CCIP

- 6-36. In an F/A-18 aircraft, the ammunition handling system accommodates what maximum number of rounds?
1. 578 rounds
  2. 676 rounds
  3. 872 rounds
  4. 1,019 rounds
- 6-37. In an F/A-18 aircraft, what component limits the total number of rounds the pilot can fire through the M61A1 automatic gun?
1. The rounds limiter
  2. The rounds counter
  3. The digital computer
  4. The last round switch
- 6-38. In an F/A-18 aircraft, what component is used to manually clear the M61A1 automatic gun?
1. The clearing section clamp
  2. The clearing sector holdback
  3. The clearing sector retainer
  4. The clearing solenoid
- 6-39. In an F/A-18 aircraft, the M61A1 automatic gun system should be handled in what manner?
1. As live ammunition
  2. As two palletized units
  3. As a single palletized unit
  4. As a separate major component
- 6-40. In an F-14 aircraft, the M61A1 automatic gun system can be operated in what mode?
1. Air-to-ground only
  2. Air-to-air only
  3. Air combat maneuver only
  4. Air-to-ground, air-to-air, or air combat maneuver
- 6-41. In an F-14 aircraft, the M61A1 automatic gun system accommodates what maximum number of rounds?
1. 576 rounds
  2. 676 rounds
  3. 896 rounds
  4. 966 rounds
- 6-42. In an F-14 aircraft, what component(s) should you use to manually clear the M61A1 automatic gun?
1. The clearing sector clamp assembly
  2. The safety pin only
  3. The clearing sector holdback assembly only
  4. The safety pin and clearing sector holdback assembly
- 6-43. When removing a gun component for sudden stoppage, you should be especially cautious because of which of the following potential hazards?
1. Loose propellant powder from ruptured cartridge cases
  2. Parts under pressure
  3. Hot hydraulic fluid
  4. Energized electrical wires
- 6-44. An M61A1 automatic gun must be sent to a depot-level maintenance activity under which of the following conditions?
1. When major repair is required
  2. When an alteration is authorized
  3. When 120,000 rounds have been expended
  4. Each of the above
- 6-45. Which of the following gun maintenance procedures should be accomplished during scheduled maintenance?
1. Lubrication
  2. Normal disassembly and parts replacement
  3. A functional check of the components based on the round interval
  4. Each of the above
- 6-46. Scheduled maintenance for an M61A1 automatic gun handling and drive system should be performed after what maximum number of rounds has been fired?
1. 15,000 rounds
  2. 20,000 rounds
  3. 30,000 rounds
  4. 100,000 rounds

- 6-47. You should make sure that the primer buttons of electrically primed ammunition do NOT contact your body to prevent which of the following potential hazards?
1. An electrical shock
  2. An explosion from static electricity
  3. A skin rash
  4. A skin burn
- 6-48. An M61A1 gun can fire M50 series ammunition at what prescribed rate?
1. 4,000 to 7,200 rpm
  2. 4,000 to 6,000 rpm
  3. 2,000 to 6,000 rpm
  4. 2,000 to 4,000 rpm
- 6-49. On an M61A1 gun, the gripping surface needed for easy installation and removal of the barrels from the rotor is provided by what device(s)?
1. A locking pin
  2. A recoil adapter
  3. A guide bar
  4. Knurled bands
- 6-50. On an M61A1 gun, the bearing retainers can be mounted to the housing in increments of what prescribed number of degrees?
1. 90°
  2. 60°
  3. 45°
  4. 15°
- 6-51. On an M61A1 gun, what component picks up a round as it enters the gun?
1. The clearing sector assembly
  2. The guide bar
  3. The breech-bolt assembly
  4. The firing contact assembly
- 6-52. On an M61A1 gun, a total of how many sets of rotor tracks is attached to the ribs along the rotor body?
1. 6 sets
  2. 2 sets
  3. 12 sets
  4. 4 sets
- 6-53. On an M61A1 gun, the indexing pin is in what location?
1. The housing assembly
  2. The rotor assembly
  3. The clearing solenoid
  4. The breech-bolt
- 6-54. On an M61A1 gun, a full firing cycle requires what prescribed number of actions?
1. Seven
  2. Six
  3. Five
  4. Four
- 6-55. On an M61A1 gun, what total number of steel ball bearing is contained in the entrance cover?
1. 525
  2. 252
  3. 230
  4. 150
- 6-56. On an M61A1 gun, what means is used to index the drum for installation of the entrance unit?
1. A scoop disk
  2. An extractor lip
  3. A timing pin
  4. A chute
- 6-57. A total of how many sets of sprocket spur gears are on each scoop disk of an M61A1 gun?
1. One
  2. Two
  3. Six
  4. Four
- 6-58. On an M61A1 gun, the spur gears is located what prescribed number of degrees apart?
1. 45°
  2. 90°
  3. 180°
  4. 360°
- 6-59. On an M61A1 gun, the transfer unit receives expended cases and unfired rounds from what component(s)?
1. The breech bolts
  2. The exit unit
  3. The entrance unit
  4. The scoop disk

- 6-60. What color code is used on chute ends?
1. Black and red
  2. Red and green
  3. Green and black
  4. Orange and black
- 6-61. What type of gun drive unit is used on F14 aircraft?
1. Pneumatic
  2. Mechanical
  3. Hydraulic
  4. Electrical
- 6-62. An F14 aircraft gun gas purge system will remain active for what total number of seconds after gun firing?
1. 30 sec
  2. 20 sec
  3. 15 sec
  4. 10 sec
- 6-63. An F/A-18 aircraft has what total number of A/G modes of gun operation?
1. One
  2. Two
  3. Three
  4. Four
- 6-64. What total number of bolts are used to attach an F/A-18 aircraft gun system to the aircraft?
1. 12 bolts
  2. 8 bolts
  3. 6 bolts
  4. 4 bolts
- 6-65. On an M61A1 gun system; the breech bolt assembly must be changed after what total number of rounds are fired?
1. 20,000 rounds
  2. 15,000 rounds
  3. 10,000 rounds
  4. 5,000 rounds
- 6-66. On an M61A1 gun system, scheduled maintenance begins after what prescribed number of rounds have been fired?
1. 5,000 rounds
  2. 10,000 rounds
  3. 15,000 rounds
  4. 30,000 rounds
- 6-67. On an M61A1 gun system, the gun must be overhauled after what prescribed number of rounds have been fired?
1. 130,000 rounds
  2. 120,000 rounds
  3. 110,000 rounds
  4. 100,000 rounds



# ASSIGNMENT 7

Textbook Assignment: "Ammunition Loading," Pages 7-1 through 7-24; and "Aerial Targets and Associated Equipment," Pages 8-1 through 8-14.

---

- 7-1. A complete M50 service cartridge consists of what total number of components?
1. Five
  2. Two
  3. Three
  4. Four
- 7-2. Which of the following cartridge cases is made of brass?
1. M55
  2. M103
  3. M105B
  4. M122
- 7-3. Which of the following cartridge cases is made of steel?
1. M101
  2. M102
  3. M103B1
  4. M105B
- 7-4. All projectiles have essentially the same configuration with the exception of which of the following projectiles?
1. HEI
  2. HPT
  3. PT
  4. TP-T
- 7-5. An M505A3 PD fuze has what prescribed delayed arming distance?
1. 5 to 10 ft
  2. 10 to 15 ft
  3. 20 to 35 ft
  4. 25 to 40 ft
- 7-6. An M505A3 consists of what total number of assemblies?
1. Five
  2. Two
  3. Three
  4. Four
- 7-7. A tracer is visible for approximately how many yards of projectile flight?
1. 1,280 yd
  2. 1,500 yd
  3. 2,000 yd
  4. 5,000 yd
- 7-8. An M51A1B1/M51A2 cartridge contains approximately how many grains of inert material?
1. 650 grains
  2. 635 grains
  3. 550 grains
  4. 250 grains
- 7-9. What is the major difference between an M56A3 and M56A4?
1. The cartridge case
  2. The construction
  3. The explosive content
  4. The fuze
- 7-10. An LALS MHU Series will handle what total number of rounds of ammunition without the use of links?
1. 2,000 rounds
  2. 1,400 rounds
  3. 1,200 rounds
  4. 876 rounds
- 7-11. The LALS MHU Series consists of the loader ammunition transporter, drum loader and unloader assemblies, and what other component?
1. The ammunition linking assembly
  2. The conveyor system
  3. The transporter assembly
  4. The ammunition delinking assembly
- 7-12. The LALS MHU Series can handle what total number of ammunition rounds?
1. 576 rounds
  2. 676 rounds
  3. 1,019 rounds
  4. 1,400 rounds

- 7-13. The LALS MHU Series transporter has four hinge plates and four quick-release pins that are used to lock the transporter into what skid?
1. Aero 12
  2. MHU-191
  3. Mk 7
  4. Mk 14
- 7-14. The LALS MHU Series ammunition drum consists of two scoop disk assemblies, two cover assemblies, and what other component?
1. An inner drum
  2. An exit unit
  3. An entrance unit
  4. An inner drum bypass
- 7-15. The LALS MHU Series rounds-remaining indicator is located on what component?
1. The outer drum
  2. The drum cover
  3. The exit unit
  4. The entrance unit
- 7-16. What size hand crank can be used to drive the gearbox of a loader assembly MHU 133/E32K?
1. 3/8 in.
  2. 7/16 in.
  3. 1/2 in.
  4. 3/4 in.
- 7-17. The LALS MHU Series drive assembly is mounted on brackets that are located on what component?
1. The drum loader
  2. The entrance unit
  3. The exit drum cover
  4. The entrance drum cover
- 7-18. The LALS MHU Series drum loader assembly consists of which of the following components?
1. One load tray, one belt of elements, and one chute
  2. One load tray, one belt of elements, and two chutes
  3. One load tray, two belts of elements, and two chutes
  4. Two load trays, two belts of elements, and two chutes
- 7-19. What LALS MHU Series assembly has a hole for spent cases to drop through?
1. The drum loader assembly
  2. The drum unload assembly
  3. The conveyer assembly
  4. The exit unit assembly
- 7-20. Which of the following LALS MHU Series assemblies is/are part of the conveyor system?
1. The entrance unit assembly only
  2. The exit unit assembly only
  3. The chute support assembly only
  4. The entrance unit assembly, exit unit assembly, and chute support assembly
- 7-21. What LALS MHU Series assembly transfers the rounds coming from the exit unit assembly to the aircraft system?
1. The adapter assembly
  2. The entrance unit assembly
  3. The exit unit assembly
  4. The interface unit assembly
- 7-22. A LALS MHU Series is designed to operate in which of the following modes?
1. Bypass only
  2. Loading/downloading aircraft gun systems only
  3. Loading/downloading the transporter
  4. Bypass, loading/downloading aircraft gun systems, or loading/downloading the transporter
- 7-23. The loading or unloading of a LALS MHU Series transporter should be conducted in a RADHAZ-safe area for which of the following reasons?
1. To prevent the transporter from overheating
  2. To prevent the primers from firing
  3. To prevent the gun from being accidentally fired
  4. To prevent the casings from overheating
- 7-24. When loading or simultaneously loading/unloading, what device should you use to drive the LALS MHU Series transporter?
1. A handcrank
  2. A hydraulic drive unit
  3. A load unit assembly
  4. An electrical drive unit

- 7-25. When loading or downloading an aircraft gun system, you should make sure the conveyor system MHU 130/E32K is located on what component?
1. The transporter
  2. The ammunition chute
  3. The interface unit assembly
  4. The timed exit unit assembly
- 7-26. When first connecting the interface unit to the aircraft adapter, you should make sure the interface unit is in what position?
1. The forward position
  2. The rearward position
  3. The bypass position
  4. The load position
- 7-27. For information pertaining to unscheduled maintenance procedures for the LALS MHU Series, you should refer to what NAVAIR publication?
1. 22-LAS-07
  2. 19-1-125
  3. 17-15-50
  4. 03-25GAC-5
- 7-28. The Linkless Ammunition Loading System (LALS) A/E32K-7 consists of how many components?
1. One
  2. Two
  3. Three
  4. Four
- 7-29. What equipment must be timed to service the aircraft gun system?
1. Aircraft engine
  2. Aircraft boresight
  3. Aircraft gun feed system
  4. Aircraft intake
- 7-30. How many modes of operation does the LALS A/E32K-7 have?
1. One
  2. Two
  3. Three
  4. Four
- 7-31. The towline of an A/A-47U-3A tow target reeling machine-launcher has what nominal reeling speed capability?
1. 3,500 ft/min
  2. 5,000 ft/min
  3. 5,500 ft/min
  4. 7,500 ft/min
- 7-32. A 3/32-inch 7 by 7 tow cable has what minimum breaking strength?
1. 325 lb
  2. 650 lb
  3. 920 lb
  4. 995 lb
- 7-33. A 1/8-inch-armored tow cable has what minimum breaking strength?
1. 920 lb
  2. 1,500 lb
  3. 2,000 lb
  4. 2,160 lb
- 7-34. When, if ever, should you lubricate a tow cable?
1. Before each use
  2. After each use
  3. After every other use
  4. Never
- 7-35. A Mk 1 target leader is used for what purpose?
1. To attach targets to a release ring only
  2. To attach target-release messengers to a release ring only
  3. To attach targets or target-release messengers to a release ring
  4. To attach a tow cable to a drum assembly
- 7-36. The target drag load is transferred from the reel to a structural member of the towing aircraft by which of the following devices?
1. A target release ring
  2. A Klein "Chicago" grip
  3. A target leader
  4. A spring-loaded target retainer
- 7-37. The Navy currently uses which of the following powered targets?
1. AQM-37C only
  2. BQM-34A/S only
  3. BQM-74C only
  4. AQM-37C, BQM-34A/S, and BQM-74C

- 7-38. The AQM-37C missile target has what maximum range?
1. 100 nautical miles
  2. 155 nautical miles
  3. 175 nautical miles
  4. 225 nautical miles
- 7-39. The aerodynamic destruct system of an AQM-37C missile target is activated by which of the following conditions?
1. A loss of electrical power
  2. A flight timer setting
  3. An off-course flight of over 30 seconds
  4. Each of the above
- 7-40. A BQM-74C target drone can be launched from which of the following launching environments?
1. An A-6E aircraft
  2. A shore installation
  3. A ship
  4. Each of the above
- 7-41. After a BQM-74C target drone enters the water, the active flotation subsystem keeps it afloat for what minimum number of hours?
1. 24 hr
  2. 48 hr
  3. 72 hr
  4. 96 hr
- 7-42. A BQM-34A/S target system is designed to travel at what maximum speed?
1. 450 knots
  2. 600 knots
  3. 650 knots
  4. 675 knots
- 7-43. Target systems are divided into a total of how many categories?
1. One
  2. Two
  3. Three
  4. Four
- 7-44. The TDU-32A/B and TDU-32B/B are constructed of what material?
1. Nylon
  2. Plastic
  3. Canvas
  4. Cotton
- 7-45. What are the dimensions of a TDU-32A/B and TDU-32B/B target?
1. 7 1/8 by 40 ft
  2. 7 1/4 by 50 ft
  3. 7 1/2 by 40 ft
  4. 8 1/2 by 50 ft
- 7-46. An A/A47U-3A system will handle targets weighing up to what maximum number of pounds?
1. 225 lb
  2. 250 lb
  3. 300 lb
  4. 500 lb
- 7-47. A 1/8-inch 1 by 19 target tow cable has a minimum breaking strength of how many pounds?
1. 1,000 lb
  2. 1,500 lb
  3. 2,000 lb
  4. 2,160 lb
- 7-48. The "Klein grip" will grip bare wires between what prescribed diameters?
1. 0.025 to 0.056 in.
  2. 0.045 to 0.62 in.
  3. 0.081 to 0.162 in.
  4. 1.25 to 1.54 in.
- 7-49. What is the prescribed cruise altitude of an AQM-37C missile target?
1. 500 to 50,000 ft
  2. 500 to 100,000 ft
  3. 1,000 to 50,000 ft
  4. 1,000 to 100,000 ft
- 7-50. The fuel tank of a BQM-74C\E holds what maximum amount of fuel?
1. 15.5 gal
  2. 16.2 gal
  3. 18.4 gal
  4. 30.8 gal
- 7-51. A BQM-34E/T is capable of performing maneuvers up to what maximum number of Gs?
1. 5 Gs
  2. 2 Gs
  3. 3 Gs
  4. 4 Gs

7-52. There are a total of how many types of TALD vehicles?

1. One
2. Two
3. Three
4. Four

7-53. Target performance data is submitted on what OPNAV form?

1. 8600/15
2. 8600/11
3. 8600/7
4. 4790/141

(THIS PAGE IS INTENTIONALLY LEFT BLANK.)

# ASSIGNMENT 8

Textbook Assignment: "Ammunition Handling Equipment," Pages 9-1 through 9-36.

---

- 8-1. The ammunition handling equipment identified by Mark and Mod numbers is under the control of what command?
1. NAVAIRSYSCOM
  2. CINCLANTFLT
  3. NAVSEASYSKOM
  4. CINCPACFLT
- 8-2. The ammunition handling equipment identified by ADU, ADK, and HLK is under the control of what command?
1. CINCLANTFLT
  2. NAVSEASYSKOM
  3. NAVAIRSYSCOM
  4. CINCPACFLT
- 8-3. The pallets used to store and handle live ammunition must be constructed from what material?
1. Metal only
  2. Wood only
  3. Metal or wood
  4. Plastic or wood
- 8-4. A standard four-way wood pallet has what maximum SWL?
1. 1,000 lb
  2. 2,000 lb
  3. 3,000 lb
  4. 4,000 lb
- 8-5. A Mk 3 Mod 0 pallet has what maximum SWL?
1. 1,000 lb
  2. 2,000 lb
  3. 3,000 lb
  4. 4,000 lb
- 8-6. A Mk 12 Mod 1 pallet is (a) what length and (b) what width?
1. (a) 45.5 in. (b) 40 in.
  2. (a) 45.5 in. (b) 35 in.
  3. (a) 48 in. (b) 35 in.
  4. (a) 48 in. (b) 40 in.
- 8-7. A Mk 49 Mod 1 weapons carrier has what maximum SWL?
1. 2,500 lb
  2. 3,500 lb
  3. 4,000 lb
  4. 4,500 lb
- 8-8. A Mk 51 Mod 1 weapons carrier has what total number of lifting eyes?
1. Six
  2. Two
  3. Eight
  4. Four
- 8-9. A Mk 51 Mod 1 weapons carrier has what maximum SWL?
1. 2,500 lb
  2. 3,500 lb
  3. 4,000 lb
  4. 4,500 lb
- 8-10. An A/E32M-4 maintenance and configuration stand is used for what purpose?
1. To support a Phoenix missile
  2. To hold an F-14 aircraft weapons rail
  3. To support two Sidewinder missiles
  4. To support an LAU-7A missile launcher
- 8-11. By extending the internal bars of an Aero 68A hoisting bar, you can extend the Aero 68A to what maximum length?
1. 15 7/8 in.
  2. 18 in.
  3. 24 3/4 in.
  4. 36 in.
- 8-12. To use an HLU-256/E manual hoisting bar in a tee configuration, you should perform what action?
1. Remove the nose plug
  2. Remove the tail stop
  3. Relocate the nose plug to a position at the bar's midpoint
  4. Relocate the tail stop to a position at the bar's midpoint

- 8-13. An ADU-339/E guided missile hoisting beam is used for ground support handling of which of the following missiles?
1. Sidewinder
  2. Phoenix
  3. Standard ARM
  4. Shrike
- 8-14. Aboard ship, the MHU-129/E guided missile hoisting beam is used to handle which of the following missiles?
1. Sidewinder
  2. Phoenix
  3. Standard ARM
  4. Shrike
- 8-15. To raise or lower heavy loads, a mechanical advantage is provided by which of the following equipment?
1. Beams
  2. Hoists
  3. Hoisting bands
  4. Manual hoisting bars
- 8-16. The ratchet crank on an HLU-288/E bomb hoist is used for what purpose?
1. To lower a load
  2. To help hoist a load
  3. To maintain tension on the brake clutch
  4. To keep the cable firm in its groove
- 8-17. An HLU-288/E bomb hoist is used for which of the following purposes?
1. To hoist weapons
  2. To remove and install engines
  3. To hoist aircraft stores
  4. Each of the above
- 8-18. An HLU-196/E bomb hoisting unit is operated from what source of power?
1. Batteries
  2. Electricity
  3. A gasoline engine
  4. A manual crank
- 8-19. An HLU-196/E bomb hoisting unit has what maximum reel-in speed?
1. 10 ft/sec
  2. 15 ft/sec
  3. 10 ft/min
  4. 15 ft/min
- 8-20. Aero 12C bombs skid has what maximum SWL?
1. 1,250 lb
  2. 1,500 lb
  3. 2,500 lb
  4. 4,000 lb
- 8-21. To transport miscellaneous ammunition items, what adapter is used with an Aero 12C bomb skid?
1. Aero 9B/C
  2. Aero 39B
  3. Aero 47C
  4. Aero 64B
- 8-22. An Aero 12C bomb skid with an Aero 9B/C bomb skid adapter installed has what maximum SWL?
1. 1,000 lb
  2. 1,250 lb
  3. 2,000 lb
  4. 2,500 lb
- 8-23. The brakes of an MHU-191/M are activated by what device?
1. A brake lever
  2. A brake pedal
  3. A draw bar
  4. A skid support leg
- 8-24. Which of the following adapters is used to transport IMERs and ITERs?
1. Aero 83A
  2. Aero 64A
  3. Aero 57A
  4. Aero 9B/C
- 8-25. An ADU-400/E adapter has what maximum SWL?
1. 1,000 lb
  2. 2,000 lb
  3. 2,500 lb
  4. 3,500 lb
- 8-26. Forklift trucks are powered by gasoline engines, diesel engines, and what other source of power?
1. Emergency hoists
  2. Electric motors
  3. 24-Vdc generators
  4. Steam engines



- 8-27. Forklifts that are designed to be used on smooth and hard surfaces should be equipped with what type of tires?
1. Solid rubber-threaded tires
  2. Solid rubber-cushion tires
  3. Nylon-belted tires
  4. Pneumatic tires
- 8-28. The lift mechanism on an electric (low lift) pallet truck is operated by what means?
1. Hydraulically
  2. Electrically only
  3. Manually only
  4. Electrically or manually
- 8-29. What three categories of ordnance trailers are used in the Navy?
1. Weapon, load-bearing, and warehouse
  2. Weapon, weight-handling, and warehouse
  3. Weapon, cargo, and missile
  4. Bomb, missile, and warehouse
- 8-30. The MHU-126/M small munitions trailer has what maximum SWL?
1. 5,000 lb
  2. 2,500 lb
  3. 3,500 lb
  4. 4,000 lb
- 8-31. An A/S 32K-1A/1B/1C SATS weapons loader is supported by what total number of wheels?
1. Six
  2. Two
  3. Three
  4. Four
- 8-32. The lift boom manipulating head on an A/S 32K-1A/1B/1C SATS weapons loader can be mounted in which of the following positions?
1. Normal only
  2. Inverted rear only
  3. Inverted forward only
  4. Normal, inverted rear, and inverted forward
- 8-33. The lift and drive mechanisms of a SATS weapons loader receive power from what source?
1. A 28-Vdc battery
  2. A 115-Vdc power unit
  3. A gasoline engine
  4. A diesel engine
- 8-34. An A/S 32K-1A/1B/1C SATS weapons loader has what maximum SWL?
1. 1,500 lb
  2. 2,500 lb
  3. 4,500 lb
  4. 5,000 lb
- 8-35. Equipment, such as slings, bands, beams, strongholds, and spreader bars, should be static tested at what percentage range of their SWL?
1. 50 to 90%
  2. 90 to 100%
  3. 100 to 150%
  4. 200 to 215%
- 8-36. When an Aero 12C bomb skid is configured with an Aero 9C bomb skid adapter, what is the maximum capacity of the skid-adapter configuration?
1. 1,000 lb
  2. 1,200 lb
  3. 1,250 lb
  4. 500 lb
- 8-37. The command that has control over a particular piece of ammunition handling equipment can be identified by what means?
1. Item usage
  2. Item designation
  3. Item cost
  4. Item security classification
- 8-38. Ammunition pallet crates come in a total of how many sizes?
1. One
  2. Two
  3. Three
  4. Four
- 8-39. A Mk 43 Mod 1 is used with what weapons carrier to lift Mk 82 bombs in tandem?
1. Mk 18 Mod 1
  2. Mk 49 Mod 1
  3. Mk 105 Mod 1
  4. Mk 109 Mod 0
- 8-40. The ring assemblies of an A/E32M-4 maintenance stand can be rotated what total number of degrees?
1. 45°
  2. 90°
  3. 120°
  4. 180°

- 8-41. What is the total length of each interchangeable section of an A/F 32K-1/1A bomb assembly stand?
1. 72 in.
  2. 49 in.
  3. 39 in.
  4. 25 in.
- 8-42. Which of the following bomb assembly stands is primarily designed for use on amphibious assault ships?
1. A/F32K-1
  2. A/F32K-10
  3. A/F34K-1/A1
  4. A/F34K-10
- 8-43. What beam is used to lift harpoon missiles?
1. Mk 37 Mod 0
  2. Mk 18 Mod 1
  3. MHU-129/E
  4. ADU-399/E
- 8-44. The Mk 85, 86, 87, and 100 Mod 1 pallet slings can handle what range of load heights?
1. 13 to 70 in.
  2. 25 to 40 in.
  3. 35 to 48 in.
  4. 40 to 68 in.
- 8-45. What color is the color coded tubing on a Mk 87 Mod 0 sling?
1. Black
  2. Red
  3. Green
  4. Yellow
- 8-46. When two legs are used with a Mk 105 hoisting sling, what is the rated capacity?
1. 1500 lb
  2. 2000 lb
  3. 3000 lb
  4. 6000 lb
- 8-47. What is the double cable lift capacity of an HLU-196B/E?
1. 1500 lb
  2. 3500 lb
  3. 4000 lb
  4. 6000 lb
- 8-48. The HLU-288/E replaces what hoist?
1. Aero 14C
  2. HLU-196A only
  3. HLU-196B only
  4. HLU-196A/B
- 8-49. What is the entire weight of the HLU-196B/E?
1. 10 lb.
  2. 50 lb.
  3. 75 lb.
  4. 150 lb.
- 8-50. An Aero 12C bomb skid can transport which of the following sizes of weapons?
1. Between 4 and 18 in.
  2. Between 12 and 18 in.
  3. Between 12 and 24 in.
  4. Between 12 and 36 in.
- 8-51. An Aero 9B/C adapter is secured to a bomb skid with a total of how many spring-loaded latches?
1. Six
  2. Two
  3. Eight
  4. Four
- 8-52. An Aero 39B adapter has a total of how many tubes?
1. Five
  2. Seven
  3. Three
  4. Nine
- 8-53. An Aero 39B adapter is used with what bomb skid?
1. MHU-191
  2. MHU-126
  3. Aero 21
  4. Aero 12C
- 8-54. What is the maximum SWL of an Aero 64B soft-belt adapter?
1. 1,000 lb
  2. 2,000 lb
  3. 2,500 lb
  4. 4,000 lb

- 8-55. The ADU-729/E carries nitrogen bottles for what launcher?
1. LAU-127
  2. LAU-117
  3. LAU-93
  4. BRU-33
- 8-56. What total number of draw bars are available for use with an MHU-191/M munitions transporter?
1. Five
  2. Two
  3. Three
  4. Four
- 8-57. What is the maximum SWL of an MHU-191/M munitions transporter?
1. 2,000 lb
  2. 5,000 lb
  3. 2,500 lb
  4. 6,000 lb
- 8-58. The base of the rear section of an Aero 58A adapter is what prescribed length?
1. 10 in.
  2. 12 in.
  3. 15 in.
  4. 20 in.
- 8-59. A set of Aero 58A adapters can hold a single weapon up to what maximum diameter?
1. 35.0 in.
  2. 30.5 in.
  3. 25.0 in.
  4. 15.5 in.
- 8-60. What is the maximum SWL of a set of Aero 58A adapters?
1. 1,500 lb
  2. 2,000 lb
  3. 2,500 lb
  4. 5,000 lb
- 8-61. The inboard roller of an ADU-483/E can be set at what total number of positions?
1. Five
  2. Two
  3. Three
  4. Four
- 8-62. Two pairs of ADU-483/E adapters have a maximum SWL of how many pounds?
1. 1,000 lb
  2. 4,000 lb
  3. 5,000 lb
  4. 8,500 lb
- 8-63. The width of an Aero 91A bracket adapter can be adjusted between what maximum range?
1. 28 to 40 in.
  2. 20 to 45 in.
  3. 18 to 40 in.
  4. 14 to 40 in.
- 8-64. What is the maximum SWL of two bracket adapters?
1. 1,000 lb
  2. 2,000 lb
  3. 2,500 lb
  4. 4,000 lb
- 8-65. What is the maximum SWL of an Aero 71A skid adapter?
1. 1,000 lb
  2. 2,000 lb
  3. 5,000 lb
  4. 4,000 lb
- 8-66. What is the maximum SWL of an Aero 83A adapter?
1. 5,000 lb
  2. 2,500 lb
  3. 3,500 lb
  4. 4,000 lb
- 8-67. An MXU-661/E adapter can carry what maximum number of sonobouys?
1. 32
  2. 24
  3. 15
  4. 12
- 8-68. What is the maximum SWL of an Aero 51C munitions trailer?
1. 5,500 lb
  2. 6,000 lb
  3. 8,500 lb
  4. 9,000 lb

(THIS PAGE IS INTENTIONALLY LEFT BLANK.)

# ASSIGNMENT 9

Textbook Assignment: "Suspension, Arming, and Releasing Equipment," Pages 10-1 through 10-25.

---

- 9-1. Bomb racks are used for which of the following purposes?
1. To carry stores only
  2. To release stores only
  3. To arm stores only
  4. To carry, release, and arm stores
- 9-2. Which of the following aircraft uses the missile launch adapter (MLA)?
1. F-14
  2. F/A-18
  3. S-3
  4. SH-60
- 9-3. The power required to operate the secondary release assembly of a BRU-14/A bomb rack is provided from what source?
1. A dc generator
  2. A manual-release cable
  3. An electromechanical device
  4. A cartridge-actuated device
- 9-4. A BRU-11A/A bomb ejector rack is used on what type of aircraft?
1. A-7
  2. F-4
  3. F-14
  4. S-3
- 9-5. A BRU-11 bomb rack is used on which aircraft?
1. F/A-18
  2. F-14
  3. P-3
  4. S-3
- 9-6. A BRU-32/A bomb rack is used to suspend all EXCEPT which of the following items?
1. LAU-117
  2. LAU-118
  3. LAU-93
  4. BRU-33
- 9-7. A BRU-32/A bomb ejector rack is used on which of the following types of aircraft?
1. A-7
  2. F-4
  3. F-14
  4. F/A-18
- 9-8. A BRU-33/A bomb ejector rack will accommodate weapons/stores up to what maximum weight?
1. 1,000 lb
  2. 2,000 lb
  3. 3,000 lb
  4. 4,000 lb
- 9-9. A total of how many major subassemblies are there on the BRU-41/42 ejector racks?
1. Six
  2. Two
  3. Three
  4. Four
- 9-10. An electronic control unit is capable of releasing stores at what prescribed intervals?
1. 14 millisecond
  2. 30 millisecond
  3. 35 millisecond
  4. 40 millisecond
- 9-11. What assembly forms the main support for an IMER or ITER?
1. Ejector
  2. Adapter
  3. Housing
  4. Wiring support
- 9-12. To mechanically safe an IMER or ITER ejector unit assembly, which of the following components should be used?
1. A safety pin
  2. A safety-stop lever
  3. A metal band
  4. A cotter pin

- 9-13. What component of an IMER or ITER ejector unit assembly actuates the store sensing switch?
1. The forward suspension hook
  2. The electrical safety pin
  3. The aft suspension hook
  4. The safety-stop lever
- 9-14. After suspension hooks are locked on an IMER/ITER ejector unit assembly, they are prevented from opening until the cartridge is fired by which of the following components?
1. The sear link
  2. The link stops
  3. The hook release rod
  4. The hook toggle levers
- 9-15. When the gas-generating cartridge is fired in an IMER/ITER ejector unit assembly, which of the following movements unlocks the suspension hooks?
1. The aft movement of the breech
  2. The aft movement of the hook release rod
  3. The downward movement of the cranks
  4. Each of the above
- 9-16. During ejection, the weight of the store, plus gas pressure, forces the suspension hooks of an IMER/ITER ejector unit assembly to open. Which of the following component hold(s) the suspension hooks in the open position?
1. The hook toggle lever
  2. The hook toggle spring only
  3. The coil spring only
  4. The hook toggle spring and the coil spring
- 9-17. Practice bomb adapters can be used in conjunction with an IMER/ITER ejector unit assembly unit for which of the following purposes?
1. To attach practice bombs
  2. To carry aircraft parachutes flares externally
  3. To carry marine location markers externally
  4. Each of the above
- 9-18. What maintenance level is responsible for maintaining both the hardware adapter kit and the practice bomb adapters used with an IMER/ITER?
1. Organizational
  2. Intermediate
  3. Depot
  4. Overhaul
- 9-19. What is the maximum weight of the SUU-25F/A dispenser when it is loaded with eight aircraft parachute flares?
1. 260 lb
  2. 435 lb
  3. 490 lb
  4. 572 lb
- 9-20. When empty, the SUU-25F/A weighs what prescribed number of pounds?
1. 250 lb
  2. 260 lb
  3. 275 lb
  4. 285 lb
- 9-21. A total of how many breeches are provided for the SUU-25F/A dispenser?
1. Six
  2. Two
  3. Eight
  4. Four
- 9-22. When the SUU-25F/A dispenser is fully loaded, it contains what maximum number of CCU-44 impulse cartridges?
1. Eight
  2. Two
  3. Six
  4. Four
- 9-23. When loading or unloading the SUU-25F/A dispenser, you should remove which of the following components?
1. The breech and the breech cap
  2. The downloading breech only
  3. The downloading breech cap only
  4. The downloading breech and the downloading breech cap

- 9-24. The stepper switch on the SUU-25F/A dispenser has what maximum number of settings?
1. 6
  2. 2
  3. 8
  4. 10
- 9-25. When the SUU-25F/A dispenser is in the locked position, which of the following dispenser components prevents loaded stores from being inadvertently ejected by the forces during aircraft catapult launches?
1. The forward retaining locks only
  2. The aft retaining locks only
  3. The forward and aft retaining locks
  4. The forward and aft shear retainer pins
- 9-26. After the forward store is loaded into the dispenser tube of the SUU-25F/A dispenser, you should rotate the forward retainer lock to the locked position and secure it with what device?
1. A piece of safety wire
  2. A shear pin
  3. A cotter pin
  4. An arming wire
- 9-27. What component of the SUU-25F/A dispenser initiates the arming sequence of a store as the store is ejected from the tube?
1. The arming wire
  2. The arming mechanism
  3. The aft retaining lock
  4. The forward retaining lock
- 9-28. When munitions are loaded into the tubes of the SUU-25F/A dispenser, cross-shaped plastic spacers are installed between munitions for what purpose?
1. To provide a cushion
  2. To provide an expansion area
  3. To provide a gas seal
  4. To fill in excess tube space
- 9-29. When the pilot triggers the dispensing switch, 28 volts of dc is passed through an electrical cable from the aircraft to which of the following pins of the SUU-25F/A dispenser?
1. J1 or J2
  2. J3 or J4
  3. J5 or J6
  4. J7 or J8
- 9-30. During the ejection sequence of munitions from the SUU-25F/A dispenser, which of the following components cams the arming hook up to engage the arming cap?
1. The yellow sealing ring
  2. The green sealing ring
  3. The arming wire
  4. The cross-shaped plastic spacer
- 9-31. The AN/ALE-29A chaff dispenser is capable of cartridge ejecting which of the following load configurations?
1. Mk 46 only
  2. MJU-8/B only
  3. RR-144 only
  4. Mk 46, MJU-8/B, and RR-144
- 9-32. Which of the following equipment is designed to be externally mounted on aircraft IMER/ITER bomb ejector racks?
1. AN/ALE-29A
  2. AN/ALE-37A
  3. AN/ALE-39A
  4. AN/ASM-127
- 9-33. The AN/ALE-37 chaff dispensing set has a capacity of what total number of rounds?
1. 240 rounds
  2. 180 rounds
  3. 120 rounds
  4. 110 rounds
- 9-34. When fully loaded, the AN/ALE-37A countermeasures chaff dispensing set weighs a total of how many pounds?
1. 120 lb
  2. 240 lb
  3. 277 lb
  4. 375 lb
- 9-35. The insertion of a lanyard pin is provided by which of the following components of the AN/ALE-37A countermeasures chaff dispensing set?
1. The nose cone
  2. The tail cone
  3. The module
  4. The housing

- 9-36. The AN/ALE-37A countermeasures chaff dispensing set has a total of how many chaff modules?
1. One
  2. Two
  3. Three
  4. Four
- 9-37. When fully loaded, the AN/ALE-37A countermeasures chaff dispensing set contains what maximum number of Mk 131 or CCU-63/B impulse cartridges?
1. 240
  2. 160
  3. 120
  4. 80
- 9-38. What component of the AN/ALE-37A countermeasure chaff dispensing set controls the burst rate?
1. The stepping switch
  2. The lanyard disconnect switch
  3. The intervalometer
  4. The pod control indicator
- 9-39. When properly installed what component electrically safes the AN/ALE-37A countermeasure chaff dispensing set?
1. The safety pin
  2. The lanyard pin
  3. The electrical safety switch
  4. The flag assembly
- 9-40. The AN/ALE-37A countermeasure chaff dispensing set has what total number of firing combinations?
1. Six
  2. Two
  3. Eight
  4. Four
- 9-41. What is the acronym CAD?
1. Cartridge-accelerate device
  2. Cartridge-actuated device
  3. Cartridge-ascending device
  4. Cartridge-activated device
- 9-42. What is the acronym IFOBRL?
1. In-flight operable bomb rack link
  2. In-flight operable bomb racks look
  3. In-flight opened bomb rack lock
  4. In-flight operable bomb rack lock
- 9-43. What is the acronym LEMA?
1. Linear electromechanical actuator
  2. Linear electromechanical accelerator
  3. Linear electromechanical ascending
  4. Linear electromechanical actors
- 9-44. What is the acronym IMER?
1. Improved marine ejector rack
  2. Improved multiple ejector rock
  3. Improved multiple ejector rack
  4. Improved multiple ejection rack
- 9-45. What is the acronym ITER?
1. Improved transport ejector rack
  2. Improved triple ejector rock
  3. Improved triple ejector rack
  4. Improved triple ejection rack



# ASSIGNMENT 10

Textbook Assignment: "Ammunition Storage and Handling Afloat," Pages 11-1 through 11-26.

---

- 10-1. The Explosives Handling Personnel Qualification and Certification Program was established in what year?
  1. 1971
  2. 1966
  3. 1965
  4. 1963
- 10-2. The Explosives Handling Personnel Qualification and Certification Program is governed by what instruction?
  1. OPNAVINST 8023.2
  2. OPNAVINST 8025.2
  3. NAVSEAINST 8023.2
  4. NAVAIRINST 8023.2
- 10-3. The term "assembly/disassembly" refers to which of the following ammunition operations?
  1. The complete buildup of weapons
  2. The procedures used to place explosive devices in a safe condition
  3. The removal/installation of components
  4. The physical act of mating/demating components to/from an (AUR) configuration
- 10-4. In reference to ordnance certification, what does the signature of a certification board observer denote?
  1. The certification form is valid
  2. The individual was observed performing a task
  3. The individual is qualified to perform all ordnance tasks on a ship
  4. The Individual has attended the appropriate schools for a task
- 10-5. Which of the following personnel work under the Explosives Handling Personnel Qualification and Certification Program?
  1. Security force personnel
  2. All aircrew personnel
  3. Magazine inspection personnel
  4. Document destruction personnel
- 10-6. Unless revoked, ordnance certification is valid for what maximum number of months?
  1. 36 months
  2. 24 months
  3. 18 months
  4. 12 months
- 10-7. Ammunition stowage magazines aboard aircraft carriers must be approved by which of the following commands?
  1. COMNAVAIRPAC
  2. COMNAVAIRSYSCOM only
  3. COMNAVSEASYSYSCOM only
  4. COMNAVAIRSYSCOM and COMNAVSEASYSYSCOM
- 10-8. Aboard a CV/CVN, which of the following types of magazines, is capable of holding a ship's service allowance of ammunition?
  1. Ready service
  2. Primary
  3. Secondary
  4. Pyrotechnic
- 10-9. Normally, various types of explosives and ammunition are stowed in separate magazines or lockers for which of the following reasons?
  1. Ballast
  2. Easy access
  3. Safety
  4. Corrosion control
- 10-10. Signs or labels indicating "AMMUNITION FAR SIDE" are located on bulkheads, overheads, and decks of ammunition stowage spaces. These signs or labels are normally spaced what prescribed distance apart?
  1. 10 ft
  2. 12 ft
  3. 14 ft
  4. 16 ft

- 10-11. The paint-stenciled labels or signs installed on the outside surfaces of ammunition stowage spaces are what prescribed size?
1. 1 in. high by 3 in. wide
  2. 5 in. high by 9 in. wide
  3. 7 in. high by 7 in. wide
  4. 9 in. high by 9 in. wide
- 10-12. Which of the following types of magazines are provided on ships?
1. Primary, missile, ready-service, locker, and chemical
  2. Ready-service, locker, primary, and miscellaneous
  3. Miscellaneous, missile, small arms, primary, and chemical
  4. Chemical, locker, miscellaneous, primary, and missile
- 10-13. Primary magazines are normally located in what area of a ship?
1. Below decks
  2. At the flight deck level
  3. Above the hanger deck
  4. Above the water line
- 10-14. What type of magazine is located within the armor box and is used for the stowage of completely assembled rounds of weapons?
1. Primary
  2. Missile
  3. Locker
  4. Ready-service
- 10-15. Which of the following items are required on or near lockers filled with ammunition?
1. Sprinklers
  2. Locking devices
  3. Fire hoses
  4. Surveillance systems
- 10-16. Chemical ammunition classified as lethal or incapacitating must NOT be carried aboard ship unless authorized by which of the following commands?
1. NAVAIRPAC
  2. NAVAIRLANT
  3. NAVAIRSYSCOM
  4. NAVSEASYSKOM
- 10-17. Generally, each magazine aboard ship is designated to hold a total of how many types of ammunition?
1. One
  2. Two
  3. Three
  4. Four
- 10-18. Whenever practical, magazines are designated in which of the following ways?
1. Multi-purpose
  2. Dual-purpose
  3. Triple-purpose
  4. Single-purpose
- 10-19. What officer must authorize the stowage of more than one type of ammunition in a magazine?
1. The commanding officer
  2. The executive officer
  3. The weapons officer
  4. The operational commander
- 10-20. When mixed ammunition stowage must be used, you should refer to the stowage tables listed in what NAVSEA publication?
1. OP 4
  2. OP 5
  3. OP 6
  4. OP 7
- 10-21. If a magazine without environmental control shows a heat gain in excess of 100 degrees, what action should you take?
1. Notify the EOD
  2. Use portable ventilation
  3. Flood the magazine with water
  4. Remove all ammunition from the magazine
- 10-22. Magazines that are continuously occupied by personnel should be blown through or ventilated at least how often?
1. Every 5 hr
  2. Every 8 hr
  3. Every 10 hr
  4. Every 12 hr

- 10-23. When the magazine sprinkler system is operating, what devices prevent the buildup of air and water pressure?
1. Ventilation ducts
  2. Independent air escape valves
  3. Magazine check valves
  4. Safety pressure blowout valves
- 10-24. If a missile motor is accidentally ignited in a magazine, what means are used to avoid spreading smoke and gas to other areas of the ship?
1. Portable vent systems
  2. Magazine check valves
  3. Exhaust ducts
  4. Pressure-relief vents
- 10-25. Mk 58 marine location markers should be stowed in which of the following magazines?
1. A magazine with a sprinkler system
  2. A magazine located on the damage control deck
  3. A magazine without a sprinkler
  4. A magazine with remote control valves
- 10-26. Sprinkler systems are required in which of the following magazines?
1. Primary magazines only
  2. Ready-service magazines only
  3. Missile magazines only
  4. Primary, ready service, and missile magazines
- 10-27. Sprinkler systems are classified in what way?
1. By type or location of control
  2. By amount of discharge per minute
  3. By sprinkler head size
  4. By system pressure
- 10-28. There are a total of how many types of sprinkler remote operations?
1. Five
  2. Two
  3. Three
  4. Four
- 10-29. The "rate of rise" is indicated in a magazine when the temperature increases at what rate?
1. Slowly
  2. Rapidly
  3. Normally
  4. Exponentially
- 10-30. When a rapid increase in temperature occurs in a magazine, what circuit activates the sprinkler system control valve?
1. The F circuit
  2. The FH circuit
  3. The high-voltage circuit
  4. The low-voltage circuit
- 10-31. When a slow increase in temperature occurs in a magazine, what circuit activates the sprinkler system control valve?
1. The FH circuit
  2. The low-voltage circuit
  3. The F circuit
  4. The high voltage circuit
- 10-32. What minimum number of thermostats should be installed in each magazine?
1. One
  2. Two
  3. Three
  4. Four
- 10-33. What minimum number of thermostats should be installed in a magazine that has a deck area of 982 square feet?
1. One
  2. Two
  3. Three
  4. Four
- 10-34. Aboard ship, magazine inspections are mandatory according to what OPNAV instruction?
1. 3120.32
  2. 4790.2
  3. 4790.4
  4. 8023.2
- 10-35. To divide a large magazine area into smaller areas or bins, which of the following equipment is used?
1. Stanchions only
  2. Battens only
  3. Stanchions and battens
  4. Cradles and stanchions
- 10-36. When metal pallets are NOT used, ammunition should be stowed by what means?
1. In foam padding
  2. On dunnage
  3. On the deck
  4. In stanchions and battens

- 10-37. What minimum amount of air space should be provided between any ammunition stowage stack and the surface of adjacent plating or sheathing?
1. 1 ft
  2. 2 ft
  3. 2 in.
  4. 1 in.
- 10-38. When inspecting a magazine, you must have which of the following items?
1. A flashlight
  2. A toolbox
  3. A thermometer
  4. A check sheet
- 10-39. The maximum and minimum temperature conditions in a magazine should be observed, recorded, and reported at least how often?
1. Daily
  2. Biweekly
  3. Weekly
  4. Bimonthly
- 10-40. Completed magazine temperature cards should be removed from the magazines and replaced at least how often?
1. The first day of every other week
  2. The first day of every other month
  3. The last day of every month
  4. The first day of every month
- 10-41. When a completed magazine temperature card is removed from a magazine and the temperatures recorded in a permanent log, the card must be retained on file for at least how many months?
1. 12 months
  2. 6 months
  3. 3 months
  4. 4 months
- 10-42. When magazine temperatures are recorded in the permanent log, red ink should be used to record the temperatures in excess of what amount?
1. 100°F
  2. 110°F
  3. 115°F
  4. 120°F
- 10-43. When the temperature exceeds 110°F in a smokeless powder magazine, the temperature should be checked at least how often?
1. Every hr
  2. Every 2 hr
  3. Every 3 hr
  4. Every 4 hr
- 10-44. High-security stowage spaces should contain which of the following equipment?
1. An unauthorized entry alarm system only
  2. A specially designed locking device only
  3. An unauthorized entry alarm system and a specially designed locking device
  4. A standard locking device
- 10-45. What person is responsible for maintaining and controlling magazine keys?
1. The ship's gunner
  2. The OOD
  3. The ordnance handling officer
  4. The weapons department leading chief
- 10-46. If the ship's gunner is absent during an emergency, what officer provides access to locked ammunition spaces?
1. The commanding officer
  2. The command duty officer
  3. The damage control central officer
  4. The weapons department duty officer
- 10-47. There are a total of how many basic types of hoists?
1. Five
  2. Two
  3. Three
  4. Four
- 10-48. A hoist with a safe working load of 4,000 pounds and a bomb carrier with a safe working load of 2,500 pounds may be used to lift what maximum weight?
1. 1,500 lb
  2. 2,500 lb
  3. 3,000 lb
  4. 6,500 lb

- 10-49. Any piece of handling equipment that has satisfactorily passed a periodic load test should be marked with which of the following information?
1. The date the test was performed
  2. The name of the testing activity
  3. The name of the person that performed the test
  4. All of the above
- 10-50. What are the two major classifications of weapons elevators?
1. Conventional and special
  2. Lower-stage and upper-stage
  3. Electrically operated and hydraulically operated
  4. Manually operated and pneumatically operated
- 10-51. What device causes an elevator platform to stop if the brake fails?
1. The slack cable-sensing device
  2. The down-speed governor device
  3. The broken-rope safety device
  4. The hoisting-winch motor device
- 10-52. A 5,500-pound weapons elevator has what total number of slack cable-sensing safety devices?
1. One
  2. Two
  3. Three
  4. Four
- 10-53. When an elevator platform over travels the hold deck loading station level, it is stopped by which of the following devices?
1. Spring bumpers
  2. A down-speed governor device
  3. A broken-rope safety device
  4. A slack cable-sensing device
- 10-54. Operator-attended elevator control panels are located in which of the following elevator doors?
1. Second deck only
  2. Second and third deck only
  3. Uppermost only
  4. All of the above
- 10-55. The IWHS PDP-14 programmable controller continually tracks the location of the elevator platform to within what prescribed distance?
1. 1 in.
  2. 12 in.
  3. 7/12 in.
  4. 1/12 in.
- 10-56. Due to the complexity of the IWHS elevators, operators and maintenance personnel receive extensive training in which of the following areas?
1. Electronics only
  2. Hydraulics only
  3. Electricity only
  4. Electronics, hydraulics, and electricity
- 10-57. A total of how many cables are used to raise the platform on an IWHS elevator?
1. One
  2. Two
  3. Three
  4. Four
- 10-58. An IWHS elevator has what total number of safety features?
1. 6
  2. 8
  3. 10
  4. 12
- 10-59. Upper-stage hydraulic elevators are used for transporting weapons between which of the following decks?
1. 7th and 2nd deck
  2. 2nd and main deck
  3. Main and flight deck
  4. 7th and main deck
- 10-60. What weapons elevators provide weapons transportation to the flight deck?
1. Upper-stage, hydraulic elevators
  2. Upper-stage, wire-rope elevators
  3. Lower-stage, hydraulic elevators
  4. Lower-stage, wire-rope elevators
- 10-61. Aboard an aircraft carrier, what department is responsible for maintaining the weapons elevators?
1. The engineering department
  2. The weapons department
  3. The air department
  4. The machinery department

- 10-62. To determine if maintenance procedures require the assistance of personnel in other ratings, you should refer to what reference?
1. SAF
  2. PMS card
  3. VIDS/MAF
  4. IWHS card
- 10-63. The tag-out and tag-in system is used for what purpose?
1. To identify defective components only
  2. To identify usable components only
  3. To identify defective and usable components
  4. To ensure the safety of maintenance personnel
- 10-64. When, if ever, is it permissible to dispatch an elevator from one deck to another without communications between the sending operator and the receiving operator?
1. During emergency operations
  2. When directed by the ordnance handling officer
  3. During high-tempo operations
  4. Never
- 10-65. An ordnance mishap is most likely to occur under which of the following conditions?
1. When seas are rough
  2. When magazine hatches are not properly secured
  3. When weapons or explosives are removed from stowage
  4. When weapons or explosives are stored in magazines
- 10-66. When live ammunition is staged on the hanger deck, which of the following conditions is applicable?
1. A security watch should be posted
  2. The staging area should be located a long distance from the aircraft elevator doors
  3. The live ordnance should be covered to protect it from the hanger-bay sprinkler system
  4. All of the above
- 10-67. The bomb farm watch performs which of the following functions?
1. Maintains direct communications with the AOCS
  2. Maintains the security of ordnance
  3. Issues ordnance to squadron personnel
  4. All of the above
- 10-68. The bomb farm is routinely replenished by use of the upper-stage and lower-stage weapons elevators and which of the following elevators?
1. The forward elevator only
  2. The aft elevator only
  3. The forward and aft elevators
  4. The deck-edge elevator
- 10-69. Pier-side ammunition handling operations may be conducted after daylight hours under which of the following conditions?
1. When the pier is adequately lighted only
  2. When an emergency exists only
  3. When the pier is adequately lighted and an emergency exists
  4. When authorized by the supply officer
- 10-70. When a ship is at explosive anchorage, the transfer of ammunition is normally conducted during what general time period?
1. Daytime only
  2. Nighttime only
  3. Daytime or nighttime
  4. Between 0800 and 1000
- 10-71. The transfer of ammunition at sea is accomplished by which of the following replenishment methods?
1. Conventional only
  2. Vertical only
  3. Conventional and vertical
  4. Special
- 10-72. During the conventional replenishment method at the hanger deck level, the point of contact between the supply ship and the receiving ship is known by what term?
1. The receiving station
  2. The conning station
  3. The supply point
  4. The issuing point

10-73. Which of the following items are used in the vertical ammunition replenishment method?

1. Helicopters
2. Cranes
3. Lighters
4. Barges

10-74. An ordnance item is classified as HERO susceptible if proved (by tests) to contain which of the following items?

1. ECDs
2. EEDs
3. RFEs
4. BDEs

10-75. Detailed information pertaining to electromagnetic radiation hazards is contained in which of the following publications?

1. NAVSEA OP 3347
2. NAVSEA OP 4
3. NAVSEA OP 5
4. NAVSEAEA OP 3565 and NAVAIR 16-1-529

(THIS PAGE IS INTENTIONALLY LEFT BLANK.)



# ASSIGNMENT 11

Textbook Assignment: "Ammunition Storage and Handling Ashore," Pages 12-1 through 12-23.

---

- 11-1. All units of naval ashore and Marine Corps establishments that produce, store, ship, or otherwise handle ammunition, explosives, and other hazardous materials are under the management and control of which of the following activities?
1. NAVAIRSYSCOM only
  2. NAVSEASYSYSCOM only
  3. NAVAIRSYSCOM and NAVSEASYSYSCOM
  4. NAVAIRSYSCOM and COMNAVAIRPAC
- 11-2. Service ammunition is intended for what use?
1. Operational use
  2. Exercise use
  3. Dummy use
  4. Drill use
- 11-3. Countermeasure ammunition is identified by which of the following color codes?
1. Olive drab
  2. Brown
  3. Silver/aluminum
  4. Gray with a red band
- 11-4. A 25- by 80-foot magazine is suitable for the stowage of what maximum net weight of explosives?
1. 650,000 lb
  2. 500,000 lb
  3. 250,000 lb
  4. 150,000 lb
- 11-5. Magazines ashore are designated according to their intended use. There are high-explosive magazines, ready-service magazines, and what other magazines?
1. Small-arms magazines
  2. Smokeless-powder magazines
  3. Solid-propellant magazines
  4. Liquid-propellant magazines
- 11-6. A standard triple-arch, earth-covered magazine provides what total floor area?
1. 1,500 sq ft
  2. 2,000 sq ft
  3. 6,000 sq ft
  4. 6,500 sq ft
- 11-7. What are the interior floor dimensions of a keyport magazine?
1. 8 ft by 9 ft 2 in.
  2. 8 ft by 6 ft 4 in.
  3. 6 ft by 8 ft 8 in.
  4. 6 ft by 6 ft 6 in.
- 11-8. What type of magazine is made from concrete and is shaped like a beehive or dome?
1. Gallery
  2. Corbetta
  3. Keyport
  4. Box
- 11-9. The ESQD hazard classification system is based on a system recommended by what organization?
1. DOD
  2. DOT
  3. UNO
  4. NATO
- 11-10. The ESQD hazard classification system contains a total of how many classes of hazardous materials?
1. Seven
  2. Nine
  3. Three
  4. Four
- 11-11. AOs are primarily involved with what hazard classification?
1. Class 1
  2. Class 2
  3. Class 3
  4. Class 4

- 11-12. Ammunition and explosives that are considered mass-detonating hazards have what classification?
1. Hazard class 1, division 3
  2. Hazard class 1, division 1
  3. Hazard class 3, division 3
  4. Hazard class 3, division 1
- 11-13. The fire resistant structures that are used to store moderate fire hazard materials should be what minimum distance from other facilities?
1. 100 ft
  2. 200 ft
  3. 300 ft
  4. 50 ft
- 11-14. When shipped, items within class 1, division 5, are assigned to what compatibility group?
1. D
  2. C
  3. B
  4. A
- 11-15. There are a total of how many stowage compatibility groups?
1. 12
  2. 11
  3. 9
  4. 7
- 11-16. Wet lead oxide, wet lead styphnate, and wet mercury initiating explosives are in what storage compatibility group?
1. A
  2. B
  3. H
  4. J
- 11-17. Items containing WP or PWP are in what storage compatibility group?
1. H
  2. J
  3. L
  4. S
- 11-18. Items filled with lethal or incapacitating chemical agents is in what storage compatibility group?
1. K
  2. J
  3. E
  4. C
- 11-19. The storage compatibility groups assigned to ammunition and explosives are approved by what command?
1. NAVSEASYSKOM
  2. NAVAIRSYSKOM
  3. NAVAIRPAC
  4. NAVAIRLANT
- 11-20. A magazine designator consists of the magazine group and sequence numbers, the magazine type, and which of the following items?
1. The magazine model number
  2. The magazine initial service date
  3. The magazine capacity
  4. The magazine serial number
- 11-21. In the magazine designator 4XTX4, which of the following numbers or letters indicates the magazine group number?
1. The number 4 in the first position
  2. The letters ET in the second and third positions
  3. The letters TX in the third and fourth positions
  4. The number 4 in the fifth position
- 11-22. In the magazine designator 4XTX4, which of the following numbers or letters indicates that the magazine is earth-covered and barricaded?
1. The number 4 in the first position
  2. The letter X in the second position
  3. The letter T in the third position
  4. The letter X in the fourth position
- 11-23. In the magazine designator 5ZS2, what number or letter indicates that the magazine is barricaded but NOT earth-covered?
1. The number 5
  2. The letter Z
  3. The letter S
  4. The number 2
- 11-24. The ESQD requirements do NOT allow the use of an explosive capacity design for a standard magazine because of insufficient separating distances. What letter is added to the designator to indicate this situation?
1. X only
  2. Y only
  3. Z only
  4. X, Y, or Z

- 11-25. Magazine symbol-hazard placards should be mounted at locations that are visible in the daytime from what minimum distance?
1. 500 ft
  2. 1,000 ft
  3. 1,500 ft
  4. 2,000 ft
- 11-26. Magazine symbol-hazard placards are used for which of the following purposes?
1. To identify the persons responsible for the hazards involved
  2. To help firefighters determine the types of equipment and procedures to use
  3. To identify the work center responsible for the hazards involved
  4. To identify a magazine within the magazine group
- 11-27. Magazine placards should be visible from what minimum number of feet in the daylight?
1. 500 ft
  2. 250 ft
  3. 200 ft
  4. 125 ft
- 11-28. Each advance base should have at least how many magazine or storage areas?
1. One
  2. Two
  3. Three
  4. Four
- 11-29. When an advanced base is established, the storing and handling facilities are subdivided into a magazine area, a disposal area, a renovation area, a pier area, an administration area, and which of the following areas?
1. A special weapons area
  2. A ground defense area
  3. An enemy ammunition area
  4. A restricted area
- 11-30. At an advanced base, ammunition modification should be performed in what area?
1. The magazine area
  2. The disposal area
  3. The renovation area
  4. The pier area
- 11-31. At an advanced base, the disposal area should be what minimum distance from the nearest ammunition storage site?
1. 800 yd
  2. 600 yd
  3. 500 yd
  4. 400 yd
- 11-32. At an advanced base, an enemy ammunition area should be what minimum distance from other storage areas?
1. 800 yd
  2. 600 yd
  3. 500 yd
  4. 400 yd
- 11-33. At an advance base, ammunition may be stored in which of the following locations?
1. Approved magazines only
  2. Existing buildings only
  3. Dry caves and tunnels only
  4. Approved magazines, existing buildings, dry caves, and tunnels
- 11-34. At an advanced base, the front walls of prefabricated magazines are constructed from which of the following materials?
1. Reinforced concrete with a minimum thickness of 6 inches
  2. Heavy-gauge metal plates reinforced with angles and channels
  3. Reinforced concrete with a minimum thickness of 12 inches
  4. Heavy timbers reinforced with metal angles and channels
- 11-35. A 16- by 36-foot prefabricated magazine has a maximum capacity of how many pounds of explosives?
1. 150,000 lb
  2. 50,000 lb
  3. 15,000 lb
  4. 10,000 lb

- 11-36. At an advanced base, the magazine identification system consists of which of the following elements?
1. A magazine group number and a magazine indicator
  2. A group construction symbol and a hazard indicator
  3. A storage area number and a color-hazard indicator
  4. A group-construction symbol and a magazine capacity indicator
- 11-37. At an advanced base, the letters X, Y, or Z are used to identify the explosive hazards of which of the following storage sites?
1. Magazines or buildings used as magazines only
  2. Caves and tunnels only
  3. Open storage sites only
  4. Magazines or buildings used as magazines, caves, tunnels, and open storage sites
- 11-38. In a magazine containing ammunition, which of the following information should be conspicuously posted on one of the doors?
1. The hazard classification
  2. The Q-D table maximum permissible quantities
  3. The applicable safety precautions and regulations
  4. Each of the above
- 11-39. Category A ammunition/material should be separated from the other categories by at least how many feet?
1. 300 ft
  2. 325 ft
  3. 350 ft
  4. 600 ft
- 11-40. At an advanced base, ammunition is dispersed for which of the following reasons?
1. To prevent the loss of an entire supply of any one type of ammunition
  2. To make any one type of ammunition more accessible
  3. To provide more storage space for specific types of ammunition
  4. To avoid the need for large-capacity storage areas
- 11-41. At an advanced base, complete rockets should be stored as what category of material?
1. A
  2. B
  3. C
  4. D
- 11-42. At an advanced base, aircraft bombs should be stored as what category of material?
1. A
  2. B
  3. C
  4. D
- 11-43. At an advanced base, category D material should be separated from materials in the other categories by what minimum distance?
1. 600 ft
  2. 200 ft
  3. 300 ft
  4. 400 ft
- 11-44. At an advanced base, category E material should be separated from materials in the other categories by what minimum distance?
1. 100 ft
  2. 200 ft
  3. 300 ft
  4. 400 ft
- 11-45. Personnel engaged in operations that involve ammunition, explosives, and similar hazardous materials must meet which of the following criteria?
1. Be trained only
  2. Be qualified only
  3. Be certified as physically qualified by a physician only
  4. Be trained, qualified, and certified as physically qualified by a physician
- 11-46. Lightning protection is required for all ordnance handling buildings, storage facilities, and handling areas that have thunderstorms occurring at least how many times each year?
1. Five
  2. Two
  3. Three
  4. Four

- 11-47. The Navy uses which of the following lightning protection systems?
1. Primary only
  2. Secondary only
  3. Primary and secondary
  4. Direct and indirect
- 11-48. The separately mounted lightning mast system and the separately mounted overhead ground wire system are what type of lightning protection systems?
1. Primary
  2. Secondary
  3. Direct
  4. Indirect
- 11-49. Signs posted at the entrances of restricted areas should contain all EXCEPT which of the following words?
1. Restricted
  2. Credentials
  3. Stop
  4. Explosives
- 11-50. When magazine and explosive areas are NOT protected by suitable fencing, which of the following precautions should you take?
1. Notify the officer of the day
  2. Notify the commanding officer
  3. Assign guards or patrols
  4. Light the areas
- 11-51. For specific requirements regarding posting, fencing, unguarded facilities, unguarded vehicles, emergency events, and security systems, you should refer to which of the following instructions?
1. OPNAVINST 5510.15
  2. OPNAVINST 5530.13
  3. SPCCINST P8010.12
  4. CINCLANTFLTINST 8010.4
- 11-52. A magazine inspection is conducted to ensure which of the following conditions?
1. Repairs are made only
  2. Safety regulations are being observed only
  3. Contents are not deteriorating only
  4. Repairs are made, safety regulations are being observed, and contents are not deteriorating
- 11-53. A regularly scheduled magazine area inspection is conducted for which of the following reasons?
1. To ensure firebreaks are maintained
  2. To ensure fire protection equipment is available and serviceable
  3. To ensure roads are in good and usable condition
  4. Each of the above
- 11-54. The majority of ammunition in the Navy's inventory is designed to withstand what maximum temperature?
1. 105°F
  2. 130°F
  3. 150°F
  4. 160°F
- 11-55. Magazines and magazine areas may be inspected at night to check for which of the following conditions?
1. Safety
  2. Security
  3. Cleanliness
  4. Temperature
- 11-56. Magazine inspection logbooks may be destroyed after what minimum number of months have elapsed since the date of the last entry?
1. 15 months
  2. 12 months
  3. 9 months
  4. 6 months
- 11-57. Ordnance handling equipment should be inspected at least how often?
1. Daily
  2. Immediately prior to use only
  3. During use only
  4. Immediately prior to use and during use
- 11-58. For detailed instructions on shipping, receiving, and reporting ammunition shipments, you should refer to which of the following NAVSEA publications?
1. OP 2136
  2. OP 2142
  3. SW020-AG-SAF-010
  4. TW010-AC-ORD-010

- 11-59. The qualification requirements for explosives drivers are contained in which of the following NAVSEA publications?
1. OP 2239
  2. OP 2173
  3. OP 5
  4. OP 4
- 11-60. The requirement for an explosive driver to hold a valid state operator's license is permanently waived under which of the following conditions?
1. When the driver is on active duty and at least 18 years old
  2. When the driver is stationed outside the United States and is otherwise eligible
  3. When the driver is restricted to vehicle operation within a military activity
  4. When a driver is a civilian not subject to NAVSEASYSKOM restrictions
- 11-61. When driving a vehicle transporting hazardous materials, a driver must carry an explosives driver's permit and what other document?
1. An on-station trip ticket
  2. An off-station trip ticket
  3. A medical examiner's certificate
  4. A government bill of lading
- 11-62. Unless otherwise suspended or revoked, a Standard Form 46 is valid for what maximum number of months?
1. 48 months
  2. 36 months
  3. 24 months
  4. 12 months
- 11-63. To legally operate motor vehicles transporting hazardous materials off-station, an explosive driver must be at least what age?
1. 17 yr
  2. 18 yr
  3. 20 yr
  4. 21 yr
- 11-64. A person applying for certification as an explosive driver must complete an explosive driver training course of what minimum length?
1. 40 hr
  2. 12 hr
  3. 8 hr
  4. 4 hr
- 11-65. What person is responsible for paying fines incurred by the operator of a Navy vehicle?
1. The commanding officer
  2. The executive officer
  3. The division officer
  4. The vehicle operator
- 11-66. What authority may approve the stowage of privately owned ammunition in shipboard magazines?
1. NAVAIRSYSKOM
  2. NAVSEASYSKOM
  3. The weapons officer
  4. The commanding officer

# ASSIGNMENT 12

Textbook Assignment: "Weapons Assembly," Pages 13-1 through 13-28; and "Aircraft Loading and Unloading Procedures," Pages 14-1 through 14-13.

---

- 12-1. What primary factor dictates the way a weapon is to be configured?
1. The target
  2. The weapon's weight
  3. The mission
  4. The type of delivery aircraft used
- 12-2. On an LFORM class ship; bomb assembly is usually performed in which of the following locations?
1. The flight or hangar deck
  2. The second or fifth deck
  3. The third or hangar deck
  4. The fourth or hangar deck
- 12-3. In reference to weapons, what is meant by the term "breakout"?
1. The removal of bonding straps from a weapon
  2. The inspection of a weapon
  3. The physical removal of ammunition from a magazine
  4. The use of weapons skids to load weapons
- 12-4. An M150/T46 contains a total of how many separate explosive components?
1. Five
  2. Two
  3. Three
  4. Four
- 12-5. The plastic shipping plugs are removed from the nose well and the tail fuze cavity of Mk 80 GP bombs at which of the following times?
1. During arming procedures
  2. During depalletizing procedures
  3. During assembly, after fuze installation
  4. During assembly, prior to fuze installation
- 12-6. After removing a bomb from a pallet and placing it on the appropriate bomb skid or assembly stand, what action should you perform next?
1. Inspect the conical fin
  2. Install a mechanical nose fuze
  3. Inspect the bomb
  4. Install an electrical fuze
- 12-7. When using mechanical nose fuzing, you must install which of the following components during assembly?
1. A Mk 346 tail fuze
  2. An M148 adapter booster
  3. An M150 adapter booster
  4. An M904E4 tail fuze
- 12-8. After an M148 adapter booster has been screwed into a bomb and tightened with a spanner wrench, what step should be performed next?
1. The setscrew in the bomb body should be tightened against the tail booster threads
  2. The hex head bolt in the bomb body should be tightened against the adapter-booster threads
  3. The hex head bolt in the bomb body should be removed and replaced with a safety cotter pin
  4. The setscrew in the bomb body should be tightened against the adapter-booster threads
- 12-9. A Mk 122 arming safety switch should be installed in what environment?
1. A special magazine environment
  2. A RADHAZ environment
  3. A HERO environment
  4. A RADHAZ-free environment
- 12-10. An FMU-139 tail fuze high drag arm/delay must be set at what position?
1. 1.2 sec
  2. 2.0 sec
  3. 2.6 sec
  4. 2.2 sec
- 12-11. What is the proper orientation of a Mk 122 arming safety switch coaxial cable?
1. Left angle to the lugs
  2. Forward of the lanyard
  3. 45° to the lugs
  4. Aft of the lanyard

- 12-12. After a Mk 3 arming wire has been installed, what device is used to hold the arming wires in place?
1. A setscrew
  2. A cotter pin
  3. A pop-out pin
  4. A restraining clip
- 12-13. What component retains the firing-pin assembly in a Mk 76 Mod 5 practice bomb?
1. A cotter pin
  2. An arming wire
  3. A retainer clip
  4. A shear pin
- 12-14. What plug gauge is used with a Mk 76 subcaliber practice bomb?
1. SK923AS503
  2. SK923AS305
  3. SK523AS305
  4. SK329AS503
- 12-15. The firing device is held in the blast tube of a BDU-48 practice bomb by what means?
1. A cotter pin
  2. A retainer clip
  3. A safety pin
  4. Threads
- 12-16. When viewed from the rear, the wing release latch mechanism of a MXU-667 and MXU-650 should be in what position?
1. 12 o'clock
  2. 9 o'clock
  3. 3 o'clock
  4. 6 o'clock
- 12-17. Before a reusable rocket launcher is loaded onto an aircraft, it should be sent to AIMD for which of the following reasons?
1. Cleaning
  2. A mechanical checkout
  3. An electrical checkout
  4. A preloading inspection
- 12-18. During assembly, rocket warheads and motors should be kept in what position?
1. Vertical
  2. Horizontal
  3. Inclined
  4. Raised?
- 12-19. When a rocket warhead is inspected, what maximum amount of gap, if any, is allowed between the fuze adapter and the warhead?
1. 1/8 in.
  2. 1/4 in.
  3. 3/8 in.
  4. None
- 12-20. When inspecting a rocket warhead with a base fuze installed, you should make sure the base fuze does NOT protrude more than what maximum distance from the warhead surface?
1. 1/16 in.
  2. 1/8 in.
  3. 3/16 in.
  4. 1/4 in.
- 12-21. While inspecting a Mk 93/M414 fuze, you find minor scratches or abrasions. What action should you take?
1. Turn the fuze in to EOD
  2. Replace the fuze
  3. Reject the fuze
  4. Use the fuze
- 12-22. The metal shielding band currently used to package rocket motors in separate wooden containers can be identified by what part number?
1. P/N 1516140
  2. P/N 2385910
  3. P/N 3958201
  4. P/N 4902192
- 12-23. Which of the following devices should be in place whenever a rocket motor is removed or protrudes from a rocket launcher?
1. A safety clip
  2. A shorting plug
  3. A shielding band
  4. A safety lanyard
- 12-24. You are using a chain wrench to install a Mk 34/Mk 63 warhead on a rocket motor and need to know what areas on the warhead you are permitted to place the wrench. What reference should you use?
1. NAVSEA OP 4
  2. NAVSEA OP 5
  3. The decal on the rocket
  4. The decal on the warhead



- 12-25. As an aid when installing a Mk 6 Mod 7 or Mk 32 Mod O, you may use which of the following procedures?
1. Use two chain wrenches
  2. Cut a groove in one nylon insert
  3. Use a pair of adjustable locking pliers
  4. Use a torque wrench
- 12-26. What NAVAIR publication contains assembly procedures for 5.0-inch rockets?
1. 11-140-5
  2. 11-75A-92
  3. 11-75A-54
  4. 11-5A-17
- 12-27. What NAVAIR publication contains assembly procedures for 2.75-inch rockets?
1. 11-75A-92
  2. 11-75A-56
  3. 11-5A-17
  4. 01-85-5
- 12-28. What total number of sealing rings are used with a SUU 25 flare dispenser?
1. Six
  2. Two
  3. Eight
  4. Four
- 12-29. The shear pin tangs on a SUU 25 flare dispenser should be spread between what specified range of degrees?
1. 10 to 15°
  2. 20 to 30°
  3. 30 to 40°
  4. 45 to 50°
- 12-30. The outside of a flare dispenser should be marked with all EXCEPT which of the following information?
1. Time loaded
  2. Date loaded
  3. Lot number
  4. Electrical test date
- 12-31. What authority must authorize changes to ordnance?
1. NAVSEASYSKOM
  2. NAVAIRSYSKOM
  3. CINCLANTFLT
  4. CNO
- 12-32. What is the acronym CCG?
1. Computer control group
  2. Computer counsel group
  3. Computer closer group
  4. Computer catches group
- 12-33. What is the acronym QA/SO?
1. Quality assistants/safety observer
  2. Quantity assurance/safety observer
  3. Quality assurance/soften observer
  4. Quality assurance/safety observer
- 12-34. What is the acronym OHO?
1. Ordnance handling operator
  2. Ordnance handling operations
  3. Ordnance handling officer
  4. Ordnance handling observer
- 12-35. What is the acronym GBU?
1. Glided-bomb unit
  2. Guided-bomb unit
  3. Guided-bomber unit
  4. Guided-box unit
- 12-36. The Airborne Weapons/Stores Publication Index, NAVAIR 01-700, is updated at least how often?
1. Quarterly
  2. Biannually
  3. Yearly
  4. Biennially
- 12-37. NATOPS manuals are issued by what authority?
1. SECNAV
  2. SECDEF
  3. CNET
  4. CNO
- 12-38. What manual contains the best available operating instructions for most circumstances?
1. IPB
  2. MIM
  3. NATOPS
  4. NAMP

- 12-39. The types of ordnance and the various ordnance load combinations for each model of aircraft are contained in which of the following manuals?
1. The Airborne Weapons/Stores Loading Manual
  2. The NATOPS Flight/Tactical Manual
  3. The CV NATOPS Manual
  4. The Maintenance Instructions Manual
- 12-40. What manual standardizes aircraft loading procedures throughout the Navy?
1. The CV NATOPS Manual
  2. The NATOPS Flight/Tactical Manual
  3. The Airborne Weapons/Stores Loading Manual
  4. The Maintenance Instructions Manual
- 12-41. A crew leader must use an aircraft weapons checklist at which of the following times?
1. When the crew leader is not qualified or certified for the particular weapons or store being loaded
  2. When the crew leader is not familiar with the particular weapon or store being loaded
  3. When the crew is loading inert, practice, or dummy ammunition
  4. When the crew leader has a thorough understanding of the Loading Manual
- 12-42. Normally, which of the following weapons are armed in the arming area?
1. Rockets
  2. Missiles
  3. Aircraft guns
  4. Rockets, missiles, and aircraft guns
- 12-43. Forward-firing ordnance should be dearmed at which of the following times?
1. After the aircraft's engine is shut down and after the aircraft is refueled
  2. Before the aircraft's engine is shut down
  3. After the aircraft's engine is shut down and before the pilot leaves the aircraft
  4. After the aircraft's engine is shut down and after the pilot leaves the aircraft
- 12-44. Which of the following steps should you perform when preparing and inspecting an aircraft for bomb loading?
1. Verify that preloading release and control system checks have been completed
  2. Ensure the aircraft is in the rearming area and properly grounded
  3. Ensure stations to be loaded are accessible
  4. Each of the above
- 12-45. What device should you use to ground an aircraft?
1. A mesh strap
  2. A rubber strap
  3. An authorized ground cable
  4. An electrical cable with three prongs
- 12-46. Manual-hoisting bars may be used to load most weapons or stores up to what maximum weight?
1. 500 lb
  2. 750 lb
  3. 1,000 lb
  4. 1,500 lb
- 12-47. You are using a manual hoisting bar to lift a weapon. To connect the Mk 122 arming safety switch, you should lift the weapon to approximately what distance below the rack?
1. 10 in.
  2. 12 in.
  3. 15 in.
  4. 18 in.
- 12-48. After a weapon is loaded, the total tightening of each sway brace screw should NOT exceed what maximum amount?
1. 1/16 turn
  2. 1/8 turn
  3. 1/4 turn
  4. 1/2 turn
- 12-49. When unloading a weapon, which of the following items should you install in an M904E3/E4 fuze before you remove the arming wire?
1. The M9 delay element
  2. The stop screw
  3. The safety pin/device
  4. The adapter connector
- 12-50. For information concerning flight deck operational procedures, you should refer to which of the following NAVAIR manuals?
1. 00-80T-105 only
  2. 00-80T-105 and 00-80T-106
  3. 00-25-100
  4. 01-1A-509

# ASSIGNMENT 13

Textbook Assignment: "Aircraft Weapons Systems," Pages 15-1 through 15-32; and "Aircraft Weapons Systems Test Equipment," Pages 16-1 through 16-15.

---

- 13-1. Which of the following is a fighter aircraft?
1. F-14
  2. P-3
  3. S-3
  4. SH-60
- 13-2. Which of the following is a fighter/attack aircraft?
1. F/A-18
  2. F-14
  3. S-3
  4. SH-60
- 13-3. Which of the following is a two-seat, supersonic aircraft?
1. F-14
  2. S-3
  3. SH-60
  4. P-3
- 13-4. The switches for missile preparation are located on what panel in an F-14 aircraft?
1. The armament control indicator panel
  2. The air combat maneuver panel
  3. The displays control panel
  4. The master light control panel
- 13-5. The DLVY MODE switches in an F-14 aircraft is located on what panel?
1. The armament control indicator panel
  2. The displays control panel
  3. The air combat maneuver panel
  4. The master light control panel
- 13-6. The A/G MODE AND A/A MODE switches in an F-14 aircraft are located on what panel?
1. The air combat maneuver panel
  2. The master light control panel
  3. The displays control panel
  4. The armament control indicator panel
- 13-7. The control stick in an F-14 aircraft contains which of the following weapons controls?
1. The DLC/CHAFF DISPENSE push button
  2. The weapon trigger
  3. The weapons selector button
  4. All of the above
- 13-8. The ARMT SAFETY OVERRIDE switch in an F-14 aircraft is in what location?
1. The RH avionics bay
  2. The nosewheel well
  3. The armament control indicator panel
  4. The LH avionics bay
- 13-9. An F-14 aircraft can carry what maximum number of AIM-54 missiles?
1. Six
  2. Eight
  3. Ten
  4. Twelve
- 13-10. An F-14 aircraft can carry what maximum number of AIM-9 missiles?
1. Four
  2. Eight
  3. Ten
  4. Twelve
- 13-11. The Sidewinder SW COOL switch in an F-14 aircraft is located on what panel?
1. The air combat maneuver panel
  2. The armament control indicator panel
  3. The display control panel
  4. The master light control panel
- 13-12. An F-14 aircraft provides which of the following attack modes of operation for an M61A1 gun?
1. Computer pilot attack mode only
  2. Manual attack mode only
  3. Computer pilot attack mode or manual attack mode
  4. Manual attack mode or ACM encounter mode

- 13-13. The GUN RATE switch located on the ACM panel of an F-14 aircraft has what total number of positions?
1. One
  2. Two
  3. Three
  4. Four
- 13-14. The A/G GUN switch located on the armament control indicator panel of an F-14 aircraft has what two positions?
1. ON and OFF
  2. MIXED and OFF
  3. MIXED and ON
  4. ON and STANDBY
- 13-15. Where is the BURST selector switch located in an F-14 aircraft?
1. On the ACM panel
  2. On the armament control indicator panel
  3. In the gun control unit
  4. In the weapons status unit
- 13-16. The gun rounds counter in an F-14 aircraft is located on what panel?
1. The master light panel
  2. The HOOK/GUN panel
  3. The armament control indicator panel
  4. The ACM panel
- 13-17. The NFO in an F-14 aircraft controls which of the following jettison modes?
1. ACM encounter
  2. Selective only
  3. Auxiliary only
  4. Selective and auxiliary
- 13-18. To accommodate a variety of missile launchers, bomb racks, or weapons rails, an F-14 aircraft provides a maximum of how many weapons stations?
1. Eight
  2. Six
  3. Three
  4. Four
- 13-19. For information on the authorized configurations of F-14 aircraft, you should refer to which of the following NAVAIR manuals?
1. 01-F14AAA-1T
  2. 01-85AD-75
  3. 11-1F-2
  4. 11-75A-79
- 13-20. For information on F-14 aircraft weapons systems, you should refer to which of the following NAVAIR manuals?
1. 01-F14AAA-1T
  2. 01-F14AAA-75
  3. 11-1F-2
  4. 11-75A-79
- 13-21. Which of the following ground power control panel switches on an F-18 aircraft provides enabling power to the DDIs and the radar?
1. Switch 1
  2. Switch 2
  3. Switch 3
  4. EXT PWR switch
- 13-22. Switch 3 on the ground power control panel of an F-18 aircraft provides power to which of the following systems?
1. AN/ALE-39 only
  2. AN/AWW-4 only
  3. HARM only
  4. AN/ALE-39, AN/AWW-4, and HARM
- 13-23. The armament safety override switch is in what location in an F-18 aircraft?
1. The nosewheel well
  2. The LH avionics bay
  3. The RH avionics bay
  4. The forward cockpit
- 13-24. Which of the following switches are located on the grip assembly of an F-18 aircraft?
1. A/G, A/A, and trigger
  2. DDI, A/A, and A/G
  3. AMP, DDI, and A/A
  4. Trigger, DDI, and SMP

- 13-25. In an F-18 aircraft, the auxiliary jettison mode should be used to jettison stores from pylon stations at which of the following times?
1. When emergency jettison fails only
  2. When selective jettison fails only
  3. When emergency or selective jettison fails
  4. When the aircraft's airspeed exceeds 350 knots
- 13-26. On an F/A-18 aircraft, the jettison system gives the pilot or crew a way to jettison weapons, stores, launchers, and fuel tanks. The jettison system has what total number of modes?
1. One
  2. Two
  3. Three
  4. Four
- 13-27. The CAGE/UNCAGE switch, used in conjunction with the Walleye guided weapon control system, is in what location on an F-18 aircraft?
1. The armament panel
  2. The throttle
  3. The flap control panel
  4. The stick grip control
- 13-28. To launch an AIM-7 Sparrow missile from the wing pylon station of an F-18 aircraft, the aircraft must be configured with (a) what bomb rack and (b) what launcher?
1. (a) BRU-32/A  
(b) LAU-115C/A
  2. (a) BRU-33/A  
(b) LAU-115C/A
  3. (a) BRU-33/A  
(b) LAU-116/A
  4. (a) BRU-32/A  
(b) LAU-116/A
- 13-29. You can find information on authorized F/A-18 aircraft configurations and weapons loading in which of the following publications?
1. A1-F18AA-TAC-000 only
  2. A1-F18AA-TAC-000 and A1-F18AA-TAC-100
  3. A1-F18AAA-LWS-000
  4. NAVAIR 01-F18AAA-2-1
- 13-30. You can find a general description of the F/A-18 aircraft armament systems and suspension or releasing equipment in which of the following publications?
1. A1-F18AA-TAC-000
  2. A1-F18AA-TAC-100
  3. NAVAIR 01-F18AAA-2-1
  4. A1-F18AAA-LWS-000
- 13-31. On a P-3 aircraft, what panel provides the controls and indicators for manual or automatic preset of Mk 46 or Mk 50 torpedoes?
1. The TORP presetter panel
  2. The pilot's search stores control panel only
  3. The pilot's armament control panel only
  4. The pilot's search stores control panel or the pilot's armament control panel
- 13-32. On a P-3 aircraft, what maximum number of (a) bomb bay and (b) wing stations is available for carriage of weapons?
1. (a) 6 bomb bay  
(b) 8 wing
  2. (a) 8 bomb bay  
(b) 10 wing
  3. (a) 10 bomb bay  
(b) 8 wing
  4. (a) 12 bomb bay  
(b) 10 wing
- 13-33. On a P-3 aircraft, what maximum number of unpressurized sonobuoy launch tubes is available?
1. 12
  2. 24
  3. 36
  4. 48
- 13-34. A P-3C aircraft can be configured with what maximum number of 1,000- or 2,000-pound mine pylon assemblies?
1. One
  2. Two
  3. Three
  4. Four
- 13-35. What total number of size A sonobuoy launch tubes are installed in an S-3A aircraft?
1. 48
  2. 60
  3. 64
  4. 72

- 13-36. An S-3A aircraft wing store system contains which of the following stations?
1. W5 (right) and W6 (left)
  2. W4 (right) and W5 (left)
  3. W5 (left) and W6 (right)
  4. W4 (left) and W5 (right)
- 13-37. What ejector rack is used in an S-3A aircraft wing store system pylon/rack assembly?
1. Aero 65A-1
  2. BRU-11A/A
  3. BRU-14/A
  4. MAU-38/A
- 13-38. An SH-60B/SH-60F helicopter launcher system has a total of how many size A launcher tubes?
1. 25
  2. 18
  3. 12
  4. 10
- 13-39. An SH-60F helicopter has what total number of BRU-14/A bomb racks?
1. Five
  2. Two
  3. Three
  4. Four
- 13-40. An SH-60B helicopter has what total number of BRU-14/A bomb racks?
1. One
  2. Two
  3. Three
  4. Four
- 13-41. To measure resistance, amperage, and voltage in an electrical circuit, which of the following test equipment should you use?
1. AN/PSM-4
  2. AN/PSM-6
  3. AN/ASM-20B
  4. AN/ASM-4
- 13-42. To test rocket firing, bomb release, and missile firing circuits on aircraft, you should use which of the following equipment?
1. AN/ASM-20B
  2. AN/AWM-42A
  3. AN/AWM-54
  4. AN/PSM-4
- 13-43. Which of the following test sets is used to make stray voltage checks on Navy aircraft?
1. TTU-304/E
  2. AN/ALM-70A
  3. AN/AWM-54
  4. AN/AWM-42A
- 13-44. To check the dc fuzing capabilities of fuze function control sets, which of the following test equipment should you use?
1. AN/ASM-20B
  2. AN/AWM-42A
  3. AN/AWM-54
  4. TTU-304/E
- 13-45. During prior-to-launch procedures, what test equipment should you use to check the operability of a Sidewinder missile guidance control group?
1. TTU-304/E
  2. AN/ASM-20B
  3. AN/AWM-42A
  4. AN/PSM-4
- 13-46. To check the AN/ALE-39 decoy dispensing systems and the AN/ALE-37A dispenser, which of the following test equipment should you use?
1. AN/ALM-70A
  2. AN/ASM-20B
  3. AN/ASM-149C
  4. TTU-304/E
- 13-47. To evaluate the operational readiness of a Walleye weapon guidance section and aircraft cockpit television display, what test set should you use?
1. TTU-304/E
  2. AN/ASM-20/B
  3. AN/ASM-496
  4. AN/DSM-77B
- 13-48. To perform operational checks on AIM-9 missile launching VTAS and SEAM circuits associated with the guided missile launcher LAU-7 series, what test set should you use?
1. AN/ASM-20B
  2. TTU-304/E
  3. AN/ASM-464
  4. AN/ASM-496

- 13-49. To test a VTAS/SEAM aircraft system, what test set should you use?
1. AN/ASM-464
  2. AN/ASM-496
  3. TS-3279/ASM
  4. TS-3561/AWM-23
- 13-50. To perform circuit continuity tests on Mk 46 torpedo preset circuits aboard a P-3 aircraft, what test set should you use?
1. B203
  2. B473
  3. TTU-183/F
  4. TTU-304/E
- 13-51. To check a P-3 aircraft wing station, you should use a TS-3519D/DSM test set simulator to simulate which of the following types of missiles?
1. Maverick
  2. Harpoon
  3. Shrike
  4. Sidewinder
- 13-52. To test the presetter portion of an armament control panel subassembly in an S-3 aircraft, what test set should you use?
1. Mk 432 Mod 4
  2. Mk 433 Mod 5
  3. TS-3279/ASM
  4. TS-3519/DSM
- 13-53. What total number of people are required to perform a Sidewinder MOAT?
1. One
  2. Two
  3. Three
  4. Four
- 13-54. What total number of people are required to perform a Walleye MOAT?
1. One
  2. Two
  3. Three
  4. Four
- 13-55. Stray voltage checks should be performed at which of the following times?
1. Immediately after the weapon has been loaded onto the aircraft
  2. Just before the aircraft takes off
  3. Immediately after all electrical connections are made
  4. Just before the weapon is loaded onto the aircraft

(THIS PAGE IS INTENTIONALLY LEFT BLANK.)



# ASSIGNMENT 14

Textbook Assignment: "Ammunition Administration Ashore and Afloat," Pages 17-1 through 17-34.

---

- 14-1. The CAIMS ammunition stock status files is maintained by what activity?
1. NAVAMMOLOGCEN
  2. NAVORDSYSUPPOLANT
  3. NAVORDSYSUPPOPAC
  4. NAVORDTESTU
- 14-2. Currently, Navy activities report to CAIMS by which of the following methods?
1. TIRs only
  2. ATRs only
  3. TIRs and ATRs
  4. DARs
- 14-3. Fleet activities use what method to submit ATRs?
1. Naval message
  2. Letter
  3. Telephone
  4. OPNAV 4790/CK
- 14-4. For complete MILSTRIP procedures, you should refer to which of the following publications?
1. NAVSUP 2002
  2. NAVSUP P-437 only
  3. NAVSUP P-485 only
  4. NAVSUP P-437 and NAVSUP P-485
- 14-5. In reference to a weapon, what is an AUR?
1. A weapon that is issued as a partial assembly, including wings and fins
  2. A weapon that is issued as a partial assembly, less wings and fins
  3. A weapon that is issued as a complete assembly, including wings and fins
  4. A weapon that is issued as a complete assembly, less wings and fins
- 14-6. Ammunition allowances are established for which of the following reasons?
1. To maintain operational units in a mission-ready posture
  2. To provide allowances for training, peacetime missions and wartime missions
  3. To provide types and quantities of ammunition that a unit may carry
  4. Each of the above
- 14-7. Navy Ammunition Logistics Codes are contained in which of the following publications?
1. NAVORDCENINST 8010.2
  2. NAVAIR 11-1-116B/TW010-AA-ORD-030
  3. NAVSUP P-437
  4. CINCLANTFLTINST 8010.4
- 14-8. Ammunition allowance lists are approved by what authority?
1. SECDEF
  2. SECNAV
  3. CNO
  4. TYCOM
- 14-9. The allowance of ammunition that is used for the ship's permanently installed armament is referred to as what type of allowance?
1. Shipfill allowance
  2. Mission load allowance
  3. Cargo load allowance
  4. Minimum mission allowance
- 14-10. You are assigned to an aircraft squadron that is deployed aboard ship. To find the quantity and type of ammunition the ship should carry in support of your squadron, you should refer to what ammunition allowance?
1. The ship service allowance
  2. The mission load allowance
  3. The cargo load allowance
  4. The shipfill allowance

- 14-11. Changes to the shipfill allowance list requires approval from what authority?
1. NAVSUP
  2. SECDEF
  3. SECNAV
  4. CNO
- 14-12. Changes to the cargo or mission load allowance lists require prior approval from what authority?
1. NAVSUP
  2. CINCLANTFLT
  3. SECNAV
  4. CNO
- 14-13. What is the check-sum-digit for A981?
1. 11
  2. 10
  3. 9
  4. 8
- 14-14. In the NSN 2E1425-00-940-1347-E075, what part is the COG?
1. 2E
  2. 1425
  3. 00-940
  4. 1347-E075
- 14-15. In the NSN 2E1425-00-940-1347-E075, what is the DODAC?
1. 2E1425
  2. 00-940
  3. 1425E075
  4. 1347
- 14-16. You should report all EXCEPT which of the following actions as an expenditure?
1. Ammunition that is transferred to another country
  2. Ammunition that is surveyed or lost
  3. Ammunition that is transferred to other Navy or Marine Corps activities
  4. Ammunition that is dumped in deep water
- 14-17. An NSN has a total of how many digits?
1. 10 digits
  2. 11 digits
  3. 12 digits
  4. 13 digits
- 14-18. The serial/lot item tracking (SLIT) subsystem of CAIMS accounts for certain items of ordnance by which of the following types of individual numbers?
1. Serial, lot, or NSN
  2. Register, NSN, or serial
  3. Serial, lot, or register
  4. Register, NSN, or lot
- 14-19. Unserviceable ammunition should be listed under which of the following condition codes?
1. ECHO, GOLF, or HOTEL
  2. FOXTROT, JULIET, or MIKE
  3. KILO, LIMA, or NOVEMBER
  4. Each of the above
- 14-20. What DD Form should you use to requisition ammunition?
1. 1150
  2. 1150-1
  3. 1348
  4. 1348-1
- 14-21. Ammunition MILSTRIP documents may be submitted into the ammunition supply system in which of the following ways?
1. DAAS only
  2. Naval message only
  3. DAAS or naval message
  4. Telephone
- 14-22. The Service Designator code, the Unit Identification Code (UIC), and the name of the requisitioning activity should be entered in what block on DD Form 1348?
1. D
  2. C
  3. B
  4. A
- 14-23. You are requisitioning material by using a DODAC. The material is to be delivered from CONUS to an overseas site. What document identifier should you enter in columns 1 through 3 of the DD Form 1348?
1. A05
  2. A04
  3. A0D
  4. AOA

- 14-24. You are using a DD Form 1348 to requisition a total of 250 items. What entry should you make in columns 25 through 29?
1. 250
  2. 0250
  3. 00250
  4. 000250
- 14-25. What serial number series should be used on a DD Form 1348 by personnel aboard a non-automated ship?
1. 8000
  2. 6000
  3. 5000
  4. 4000
- 14-26. You are assigned to a shore activity and want to use columns 45 through 50 on a DD Form 1348 for local information. What code should you enter in block 14?
1. W
  2. X
  3. Y
  4. Z
- 14-27. What command is the monitoring activity for all ammunition requisitions?
1. CINCPACFLT
  2. CINCLANTFLT
  3. NAVSUPSYSCOM
  4. NAVORDSYSCOM
- 14-28. When absolutely necessary, what narrative remarks may be entered in blocks L through V on a DD Form 1348?
1. Delivery clarification
  2. Acceptable substitutes
  3. The planned firing month for training missiles
  4. Each of the above
- 14-29. Ammunition MILSTRIP requisitions are prepared by fleet units in a specially coded standard format and transmitted directly to what activity?
1. DAAS
  2. DASA
  3. DASC
  4. DASPAC
- 14-30. What information should you enter in column 7 of NAVSUP Form 1353?
1. The DODAC or NALC
  2. The Media and Status code
  3. The document identifier
  4. The routing identifier
- 14-31. What information should you enter in columns 52 and 53 of NAVSUP Form 1353?
1. The unit of issue
  2. The Demand code
  3. The Signal code
  4. The Fund code
- 14-32. MILSTRIP documents will be rejected by DAAS if errors are transmitted in which of the following data fields?
1. The routing identifier
  2. The requisitioner
  3. The Signal code
  4. Each of the above
- 14-33. A MILSTRIP requisition sent by naval message normally has what classification?
1. SECRET
  2. CONFIDENTIAL
  3. FOUO
  4. UNCLASSIFIED
- 14-34. The requisitioning procedures used by a fleet unit depend upon which of the following factors?
1. The type of unit
  2. The unit's mission only
  3. The geographical location only
  4. The unit's mission and the geographical location
- 14-35. A ship is authorized to reduce its shipfill ammunition allowance stock level from 100% to 90% for which of the following reasons?
1. To carry exercise ammunition
  2. To permit expenditures for training
  3. Both 1 and 2 above
  4. To provide stowage for empty missile containers
- 14-36. Requisitions for 2E COG cartridge-actuated devices should be submitted to what activity?
1. NAVSUPSYSCOM
  2. NAVAMMOLOGCEN
  3. NAVORDSYSCOM
  4. NAVORDSYSUPPOLANT

- 14-37. To requisition a 2E COG aircrew escape propulsion system device, you should send a DD Form 173/2 (OCR) to what activity?
1. DAAS
  2. NETPMSA
  3. NAVAMMOLOGCEN
  4. NAVSUP
- 14-38. What is the prescribed lead time for requisitions concerning CAD and AEPS devices?
1. 90 days
  2. 60 days
  3. 30 days
  4. 15 days
- 14-39. Because of the large quantity of ordnance involved, complete loadout requisitions for aircraft carriers require a maximum of how many days lead-time?
1. 60 days
  2. 50 days
  3. 30 days
  4. 20 days
- 14-40. When a shore activity is located outside the Continental United States, it must maintain what percentage of the routine fleet support requirement of their ABSLA?
1. 100%
  2. 90%
  3. 75%
  4. 60%
- 14-41. When mine exercise training material is requisitioned, type commander approval should be received by the mine assembly activity what minimum number of working days before the RDD?
1. 90 days
  2. 60 days
  3. 45 days
  4. 30 days
- 14-42. For a current and complete description of MILSTRIP Status codes, you should refer to which of the following publications?
1. NAVAIR 19-70-46
  2. NAVAIR 01-1A-1
  3. MIL-HDBK-337
  4. NAVSUP Publication 485
- 14-43. MILSTRIP follow-ups should be submitted to the last known Navy holder after what maximum number of days has elapsed since submission of the requisition or last follow-up?
1. 10 days
  2. 12 days
  3. 14 days
  4. 16 days
- 14-44. Your activity has received an unsatisfactory shipping date from the supply source. When preparing a MILSTRIP follow-up to correct the estimated shipping date, you should use which of the following document identifiers?
1. AF1
  2. AFC
  3. AT4
  4. ATD
- 14-45. For material to be delivered within CONUS, what document identifier should be used when the requisition or latest status contains an NSN?
1. AME
  2. AMA
  3. AMD
  4. AM1
- 14-46. A requisition previously submitted requires an RDD change. The requisition contains an NSN and is to be delivered within CONUS. When submitting a MILSTRIP modifier, you should use what document identifier?
1. AMA
  2. AME
  3. AM1
  4. AM5
- 14-47. For material to be delivered outside CONUS, what document identifier should be used when the requisition or latest status contains a DODAC?
1. AM4
  2. AMA
  3. AMD
  4. AME

- 14-48. To decrease a quantity of material previously requisitioned, you should submit what MILSTRIP document?
1. A cancellation request for the total quantity originally requested
  2. A cancellation request for the quantity no longer required
  3. A new request for the exact quantity desired
  4. A new request canceling the old quantity and indicating the new quantity
- 14-49. When the requirement for requisitioned material no longer exists, the requisition may be canceled by which of the following personnel?
1. The requisitioner only
  2. The supplementary addressee only
  3. CINCLANTFLT only
  4. The requisitioner, supplementary addressee, or CINCLANTFLT
- 14-50. Ships should turn in all air-launch missiles (ALMs) before the occurrence of which of the following events?
1. Regular overhaul
  2. Returning from deployment
  3. Entering port in CONUS
  4. Entering port outside CONUS
- 14-51. If the shipping seals on a missile container are broken or the MDD has expired, what entry should you make on the accompanying paperwork?
1. MDD EXPIRED
  2. RFI
  3. SEALS BROKEN
  4. NON-RFI
- 14-52. When ammunition is off-loaded for temporary storage ashore, what activity, if any, is responsible for submitting an ammunition transaction report (ATR)?
1. The receiving activity
  2. The off-loading activity
  3. The transporting activity
  4. None
- 14-53. Ships occasionally need to off-load ammunition for temporary storage and custody ashore. If more than 45 days is required, the ship may request an extension from what person and/or activity?
1. The TYCOM only
  2. The storing activity only
  3. The TYCOM and the storing activity
  4. The NAVSAFECEN
- 14-54. After an ammunition transaction occurs, you should submit an ATR within what maximum number of hours?
1. 24 hr
  2. 48 hr
  3. 72 hr
  4. 96 hr
- 14-55. An ATR should be classified as confidential when which of the following types of ammunition is reported in paragraphs 6 of the ATR?
1. Aircraft bombs
  2. Complete-round missiles
  3. Rocket motors
  4. Aircraft parachute flares
- 14-56. What information is entered in paragraph 1 of an ATR?
1. The ATR serial number
  2. The Julian date
  3. The number of NALCs included in paragraph 6
  4. The number of NALCs included in paragraph 7
- 14-57. What information is entered in paragraph 4 of an ATR?
1. The sequential serial number
  2. The Unit Identification Code
  3. The Activity Classification code
  4. The Julian date of the transaction
- 14-58. What information should be entered in paragraph 6, column D, of an ATR?
1. The total number of units received
  2. The total number of units issued to aircraft squadrons
  3. The total number of units transferred to another activity for custody, except for lightweight torpedoes
  4. The total number of units transferred to another activity for custody or interactivity transfers from one activity classification to another, except for lightweight torpedoes

14-59. Material expended for humanitarian or lifesaving missions are entered in what column of paragraph 6 of an ATR?

1. H
2. G
3. F
4. E

14-60. All items that requires SLIT reporting is contained in which of the following publications?

1. TW010-AA-ORD-010 only
2. NAVAIR 11-1-116A only
3. TW010-AA-ORD-010 and NAVAIR 11-1-116A
4. NAVAIR 01-1B-40